



CB, 2, 4, 8, 12 CBI 2, 4 series

HBI, HBN2, 4, 8, 12 series

Horizontal Multistage Centrifugal Pumps 50, 60 Hz



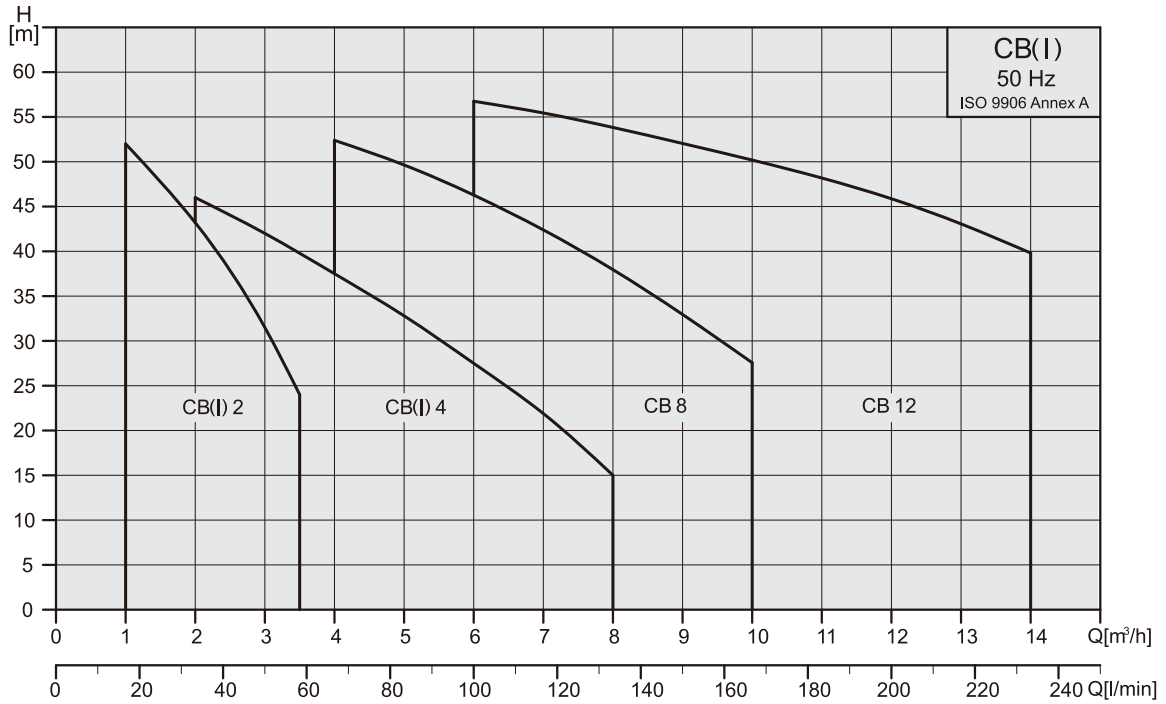


STAIRS PUMPS

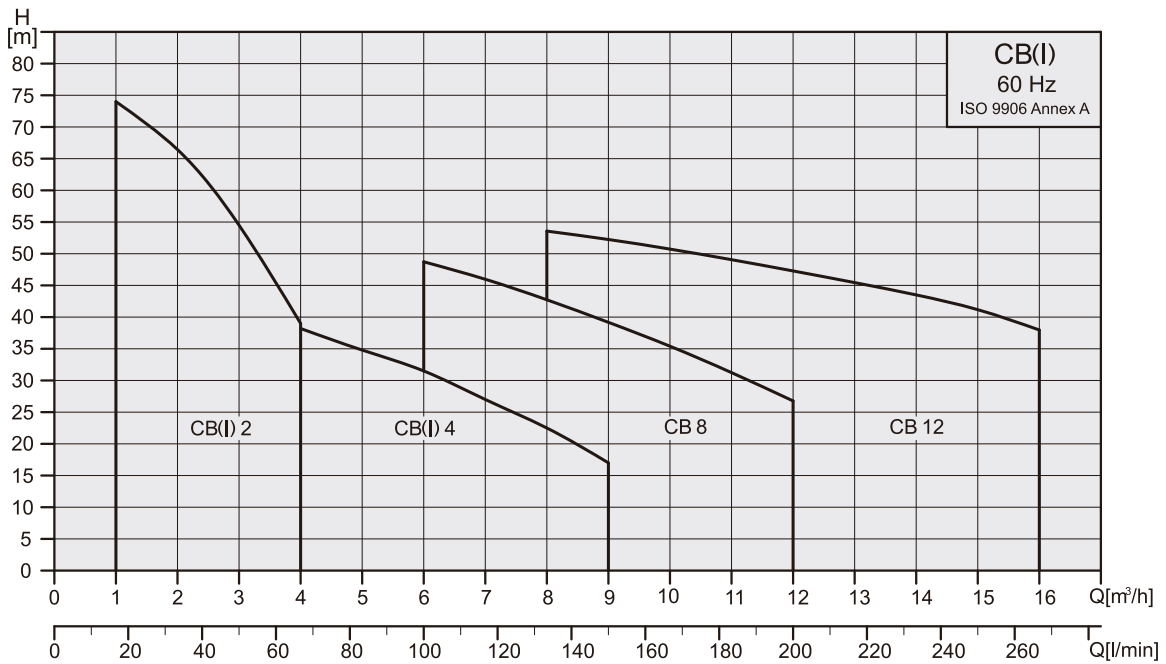
General data

CB, CBI

Performance range, 50Hz



Performance range, 60Hz





STAIRS PUMPS

General data

CB, CBI

Applications

- *Domestic
- *Liquid transfer and circulation of liquids within light industry and farming
- *Pressure boosting
- *Air-conditioning systems
- *Cooling systems or cooling machine
- *Specialized OEM equipment

Pump

The CB and CBI series are non-self priming, horizontal multistage centrifugal pumps. Pump is coupled with motor at the same shaft and mounted on a base-plate. The friendly design makes the pump suitable for installation in the small domestic or industrial water supply systems. The pump is fitted with a mechanical seal and through-going pump-motor shaft.

CB: The discharge and suction chamber are made of cast iron. The other parts of pump in contact with the liquid are made of stainless steel. EPDM or Viton O-rings are available as standard.

CBI: All parts of pump in contact with the liquid are made of stainless steel. EPDM or Viton O-rings are available as standard.

Pipe connections:

Connections	CB, CBI 2	CB, CBI 4	CB8	CB12
Suction port	Rp 1	Rp 1 1/4	Rp 1 1/2	Rp 1 1/2
Discharge port	Rp 1	Rp 1	Rp 1 1/4	Rp 1 1/2
Drain hole, priming hole	Rc 3/8	Rc 3/8	Rp 1/2	Rp 1/2

Motor

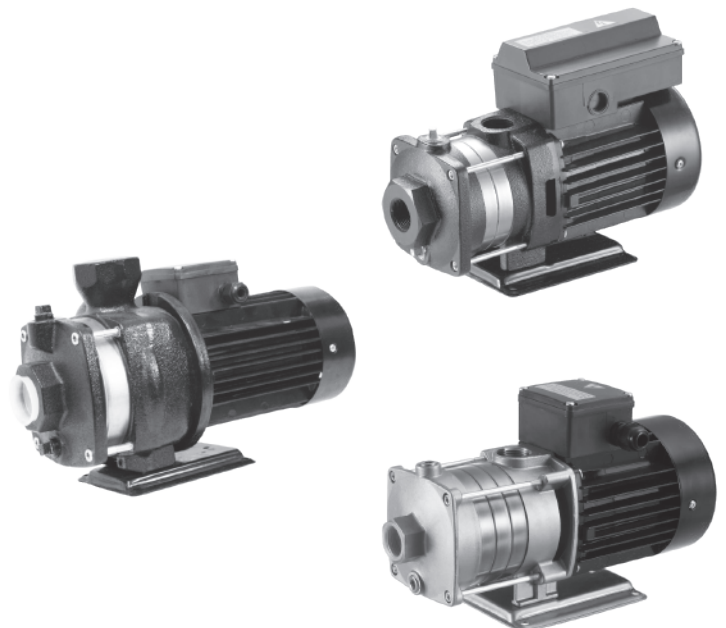
The pump is fitted with a totally enclosed, fan-cooled, squirrel-cage motor. Single-phase motors have built-in thermal overload protection. Rated speed: 2850rpm(50Hz), 3450rpm(60Hz)

Enclosure class: IP 54

Insulation class: F

Standard voltages:

	Phase	voltages
50Hz	1Φ	220-240V
	3Φ	220-240V / 380-415V
60Hz	1Φ	110 / 220V
		220-240V
	3Φ	220-255V / 380-440V 220-277V / 380-480V



Operating conditions

Liquid temperature range: 0°C ~+90°C

Maximum ambient temperature: +40°C

Maximum operating pressure: 10 kg /cm².

Maximum inlet pressure is limited by maximum operating pressure.



STAIRS PUMPS

General data

CB, CBI

Model code

Type range	Nominal flow rate [m ³ /h]	Number of stages x10	Mechanical Seals
CB(I) 2 , 4	4	- 30	- CQBE

Type range	Nominal flow rate [m ³ /h]	Max. discharge pressure[m]	Mechanical Seals
CB 8 , 12	8	- 30	- CQBE

Operating conditions

Liquid: CB : Thin, clean, non-aggressive and non-explosive liquids without solid particles or fibres.

CBI : Thin, clean, slightly aggressive and non-explosive liquids without solid particles or fibres.

Liquid temperature range: 0°C ~ +90°C.

Maximum ambient temperature: +50°C.

The maximum operating pressure depends on the temperature of the pumped liquid, see table:

Max. operating pressure	10 kg/cm ² / bar	6 kg/cm ² / bar
CB(I)2, CB(I)4	0°C to + 40°C	+41°C to + 90°C
CB 8, CB12	0°C to + 55°C	+56°C to + 90°C

Min. inlet pressure: According to the NPSH curve + a safety margin of 0.5m.

Max. inlet pressure: Limited by the max. operating pressure.

Mechanical seals

List of Materials	
Q : Silicon carbide	E : EPDM
U : Tungsten carbide	V : Viton
B : Carbon	C : Seal Type
H : Seal Type	

Mechanical Seals	CB, CBI 2/4	CB 8,12
CQB	●	●
CQQ	Optional	Optional
HUU	Optional	Optional
O-rings		
E	●	●
V	Optional	Optional

● Standard



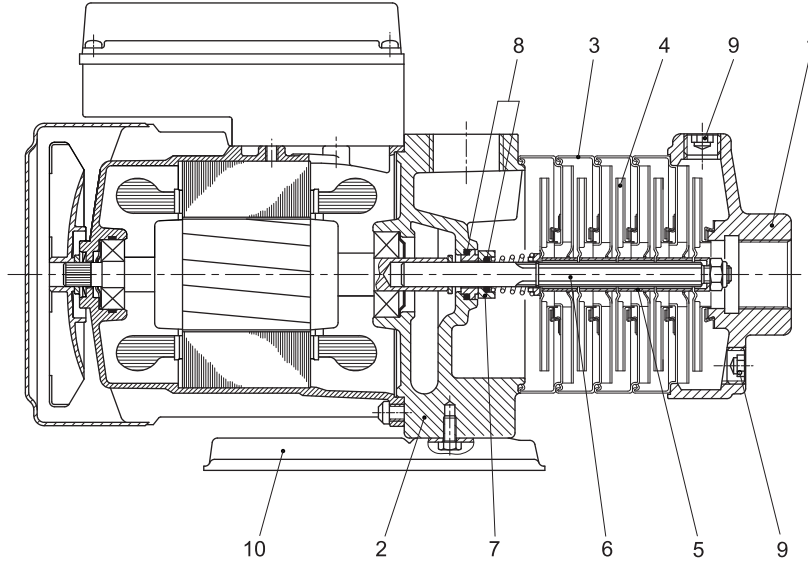
STAIRS PUMPS

General data

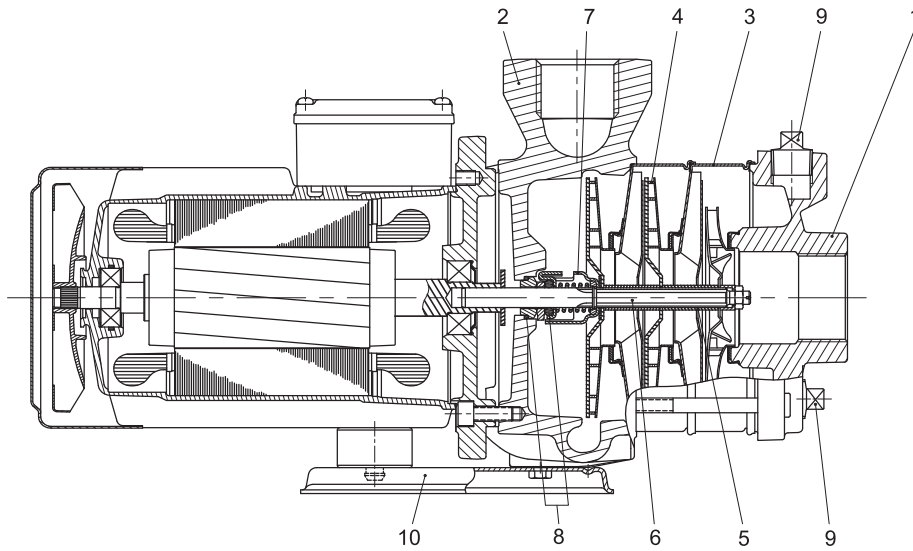
CB, CBI

Material construction

CB(I) 2,4



CB 8,12



Materials

Pos.	Description	Materials	
		CB	CBI
1	Suction chamber	Cast iron	SS304
2	Pump head	Cast iron	SS304
3	Intermediate chamber	SS304	SS304
4	Impeller	SS304	SS304
5	Spacing pipe	SS304	SS304
6	Shaft	SS431	SS431
7	Mechanical seal	Silicon carbide / Carbon	Silicon carbide / Carbon
8	O-ring	EPDM	EPDM
9	Drain and priming plug	Steel	SS304
10	Base plate	Steel	SS304

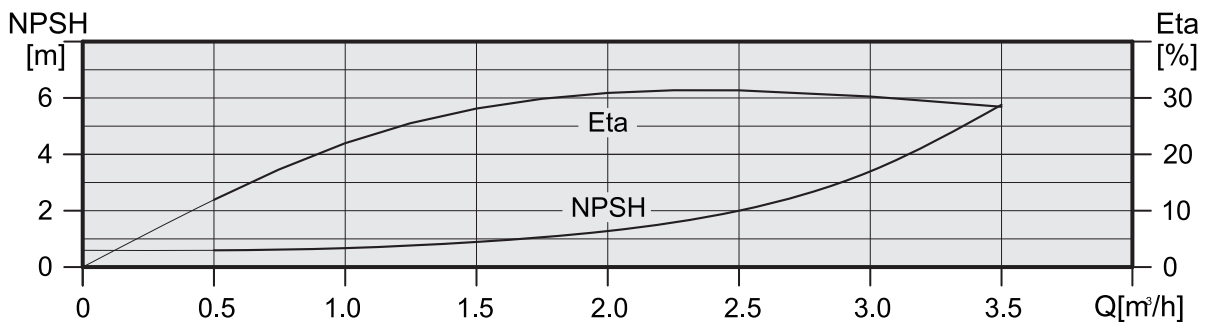
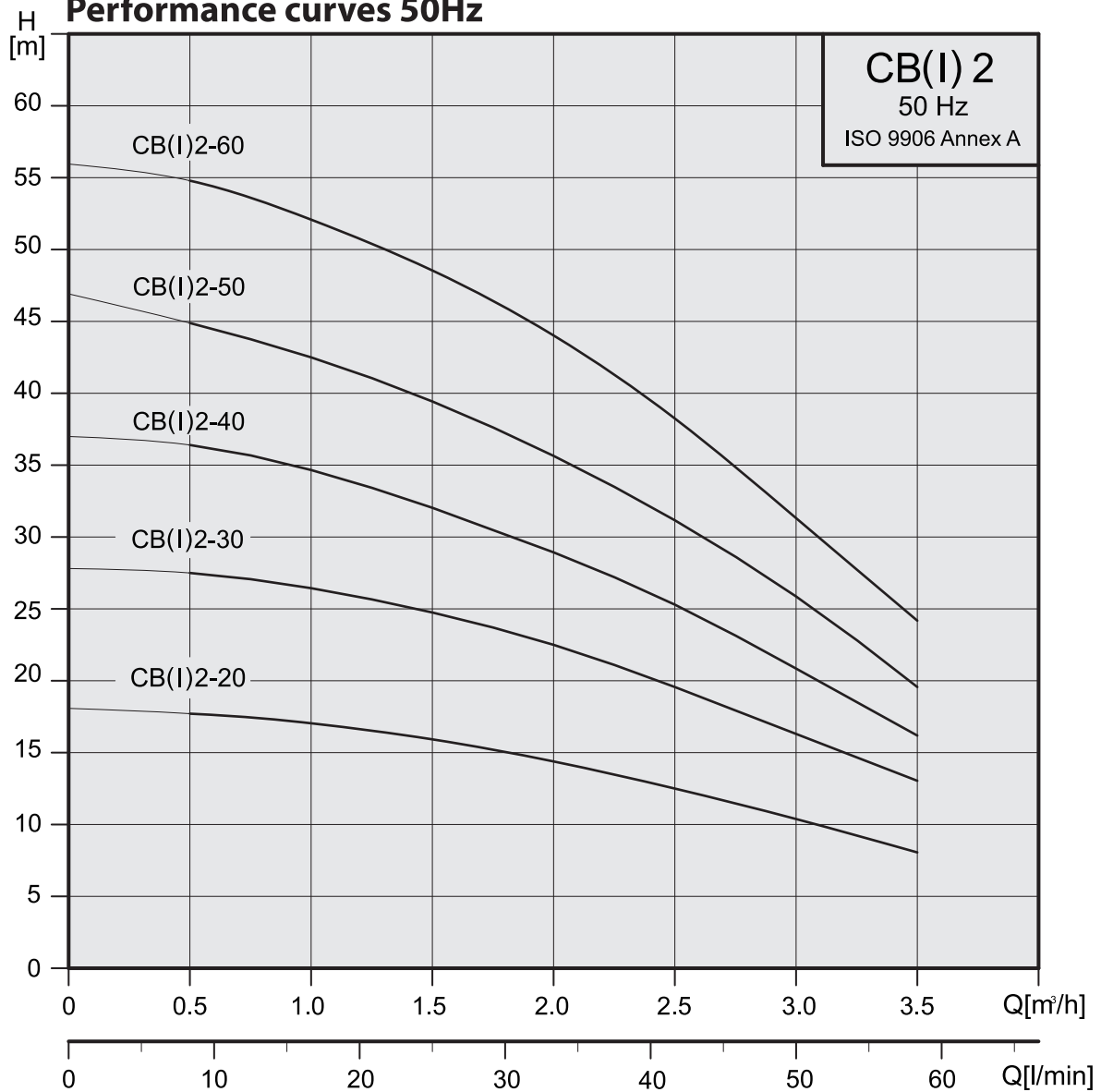


STAIRS PUMPS

Technical data

CB, CBI 2

Performance curves 50Hz



Electrical data, 2850 rpm

Pump type	1Φ 220-240V			3Φ Δ220-240V / Y 380-415V		
	I _{1n} [A]	P ₁ [W]	P ₂ [W]	I _{1n} [A]	P ₁ [W]	P ₂ [W]
CB/CBI 2-20	1.7 - 2.0	380	295	2.2 - 2.6 / 1.3 - 1.5	430	330
CB/CBI 2-30	2.1 - 2.2	470	360	2.2 - 2.5 / 1.3 - 1.45	530	410
CB/CBI 2-40	2.7 - 2.8	620	480	2.4 - 2.8 / 1.4 - 1.6	660	510
CB/CBI 2-50	3.2 - 3.1	720	550	2.5 - 2.9 / 1.45- 1.7	770	585
CB/CBI 2-60	3.7 - 3.6	830	630	2.9 - 3.3 / 1.7 - 1.9	860	655

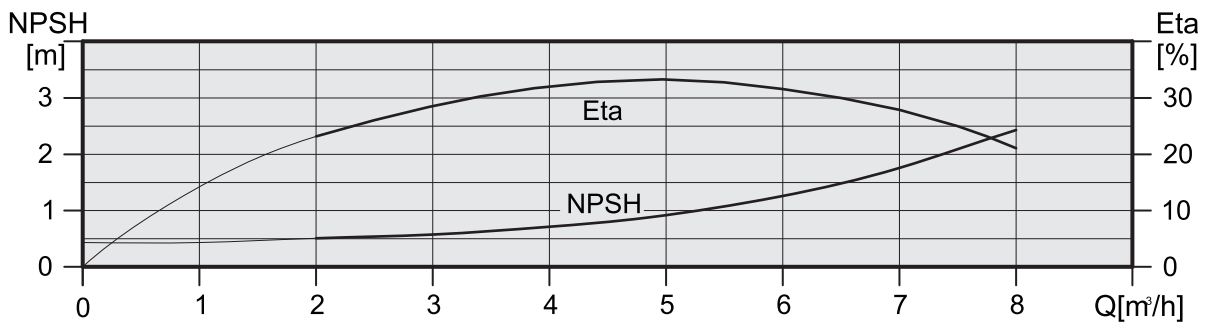
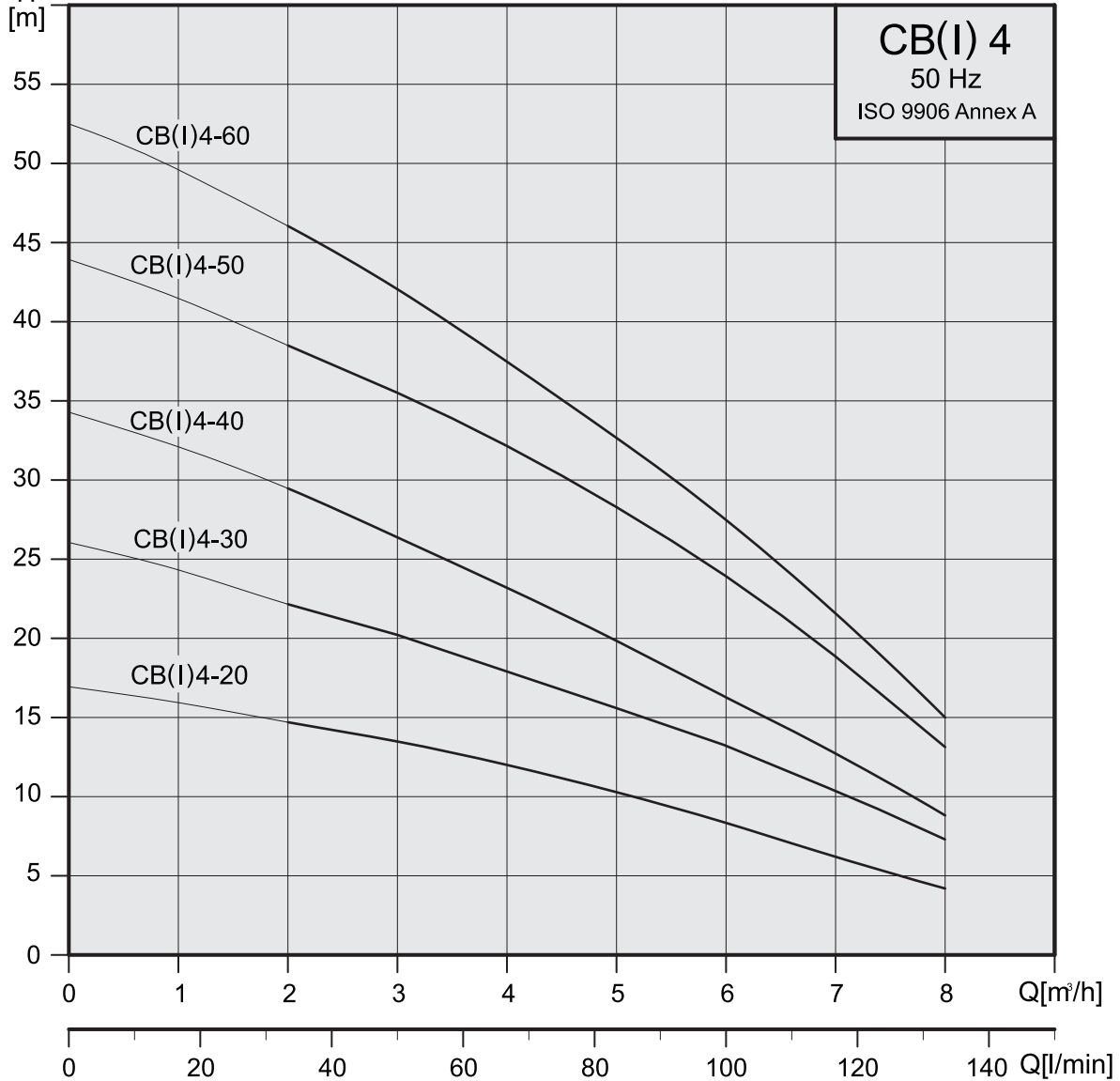


STAIRS PUMPS

Technical data

CB, CBI 4

Performance curves 50Hz



Electrical data, 2850 rpm

Pump type	1Φ 220-240V			3Φ Δ220-240V / Y 380-415V		
	I _{1/1} [A]	P ₁ [W]	P ₂ [W]	I _{1/1} [A]	P ₁ [W]	P ₂ [W]
CB/CBI 4-20	2.6 - 2.5	560	430	2.4 - 2.9 / 1.4 - 1.7	610	465
CB/CBI 4-30	3.6 - 3.5	770	595	2.5 - 2.9 / 1.5 - 1.7	790	604
CB/CBI 4-40	4.4 - 4.1	960	735	3.1 - 3.3 / 1.8 - 1.9	1010	770
CB/CBI 4-50	5.3 - 5.0	1160	940	4.2 - 4.5 / 2.4 - 2.6	1240	990
CB/CBI 4-60	6.7 - 6.4	1430	1135	5.1 - 5.5 / 2.9 - 3.2	1460	1180



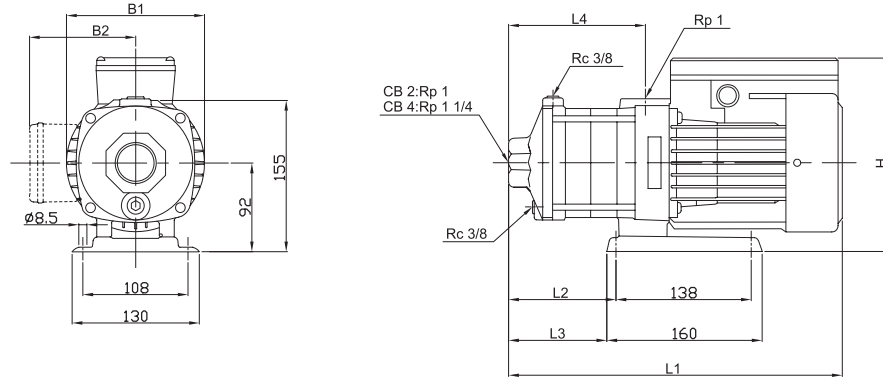
STAIRS PUMPS

Technical data

CB, CBI

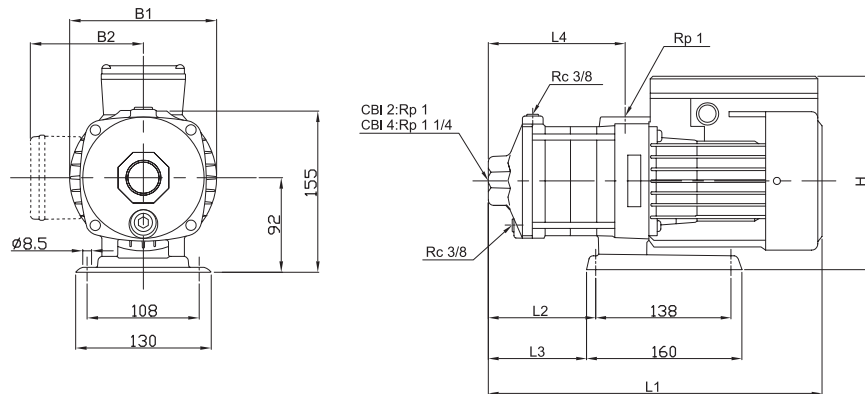
Dimensions and weights 50 Hz

CB-2, CB-4



pump type	mm									Kg	
	L1	L2	L3	L4	B1	B2		H		1phase	3phase
						1phase	3phase	1phase	3phase		
CB 2-20	309	75	63	101	141	127	115	228	207	10.3	10.0
CB 2-30	327	93	81	119	141	127	115	228	207	10.5	10.3
CB 2-40	345	111	99	137	141	127	115	228	207	10.8	10.5
CB 2-50	363	129	117	155	141	127	115	228	207	11.6	11.2
CB 2-60	381	147	135	173	141	127	115	228	207	11.8	11.5
CB 4-20	318	84	72	110	141	127	115	228	207	10.4	10.1
CB 4-30	344	111	99	137	141	127	115	228	207	10.8	10.5
CB 4-40	372	138	126	164	141	127	115	228	207	11.6	11.2
CB 4-50	438	165	153	191	141	127	115	228	207	13.4	13.1
CB 4-60	465	192	180	218	141	127	115	228	207	14.8	14.5

CBI-2, CBI-4



pump type	mm									Kg	
	L1	L2	L3	L4	B1	B2		H		1phase	3phase
						1phase	3phase	1phase	3phase		
CBI 2-20	309	75	63	101	141	127	115	228	207	9.1	8.8
CBI 2-30	327	93	81	119	141	127	115	228	207	9.4	9.1
CBI 2-40	345	111	99	137	141	127	115	228	207	9.6	9.4
CBI 2-50	363	129	117	155	141	127	115	228	207	10.4	10.1
CBI 2-60	381	147	135	173	141	127	115	228	207	10.7	10.3
CBI 4-20	318	84	72	110	141	127	115	228	207	9.2	9.0
CBI 4-30	344	111	99	137	141	127	115	228	207	9.6	9.3
CBI 4-40	372	138	126	164	141	127	115	228	207	10.4	10.1
CBI 4-50	438	165	153	191	141	127	115	228	207	11.3	12.0
CBI 4-60	465	192	180	218	141	127	115	228	207	13.6	13.4

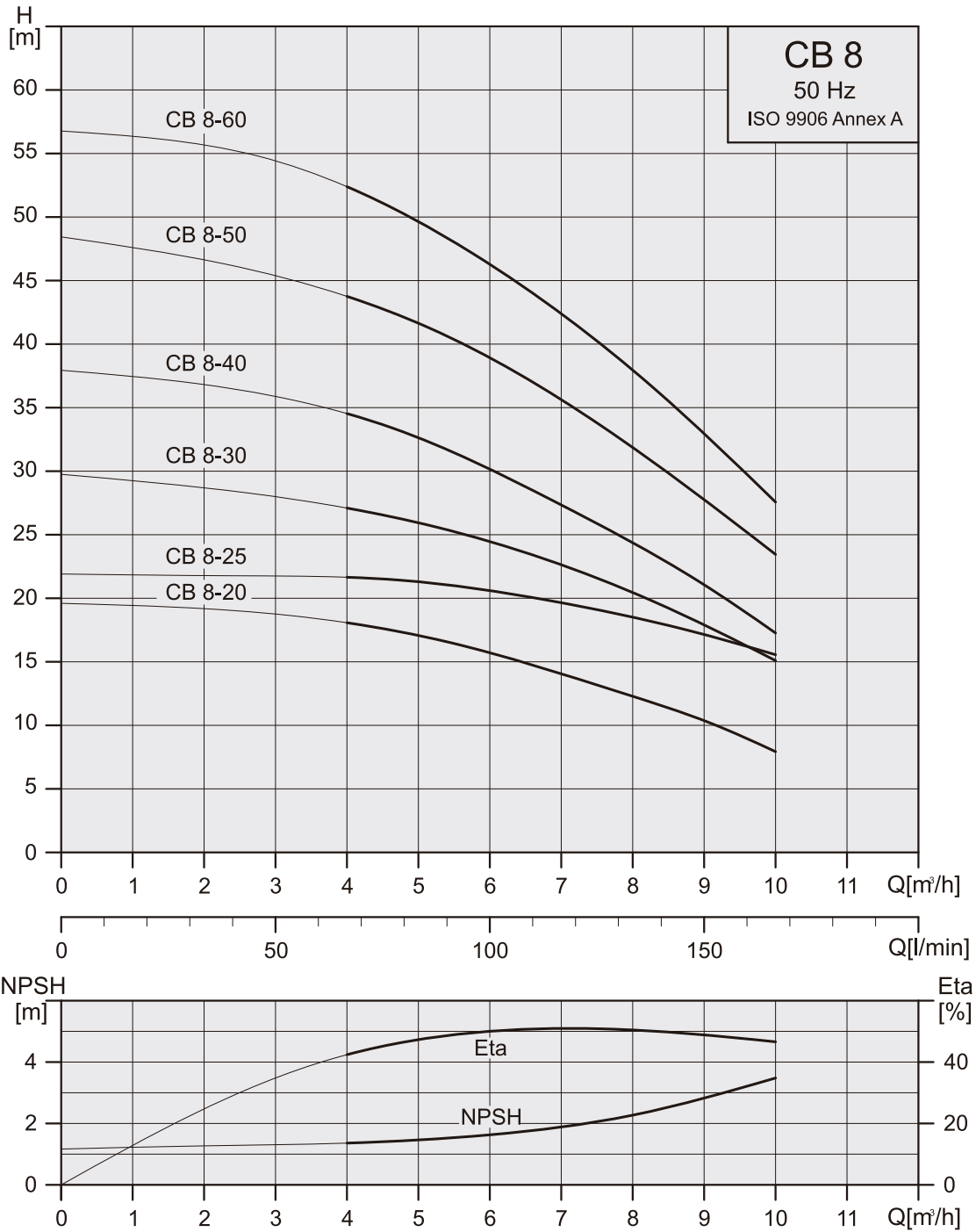


STAIRS PUMPS

Technical data

CB 8

Performance curves 50Hz



Electrical data, 2850 rpm

Pump type	1Φ 220-240V			3Φ Δ220-240V / Y 380-415V		
	I _{1n} [A]	P ₁ [W]	P ₂ [W]	I _{1n} [A]	P ₁ [W]	P ₂ [W]
CB 8-20	3.3 - 3.2	760	595	2.9 - 3.3 / 1.7 - 1.9	810	620
CB 8-25	—	—	—	3.5 - 3.8 / 2.0 - 2.2	1060	860
CB 8-30	5.2 - 5.0	1130	910	4.3 - 4.8 / 2.5 - 2.8	1260	1020
CB 8-40	6.3 - 6.1	1390	1105	5.7 - 6.3 / 3.3 - 3.7	1520	1205
CB 8-50	8.2 - 8.1	1940	1610	5.7 - 6.3 / 3.4 - 3.7	1860	1475
CB 8-60	9.0 - 8.8	2090	1740	6.5 - 7.0 / 3.8 - 4.1	2110	1755

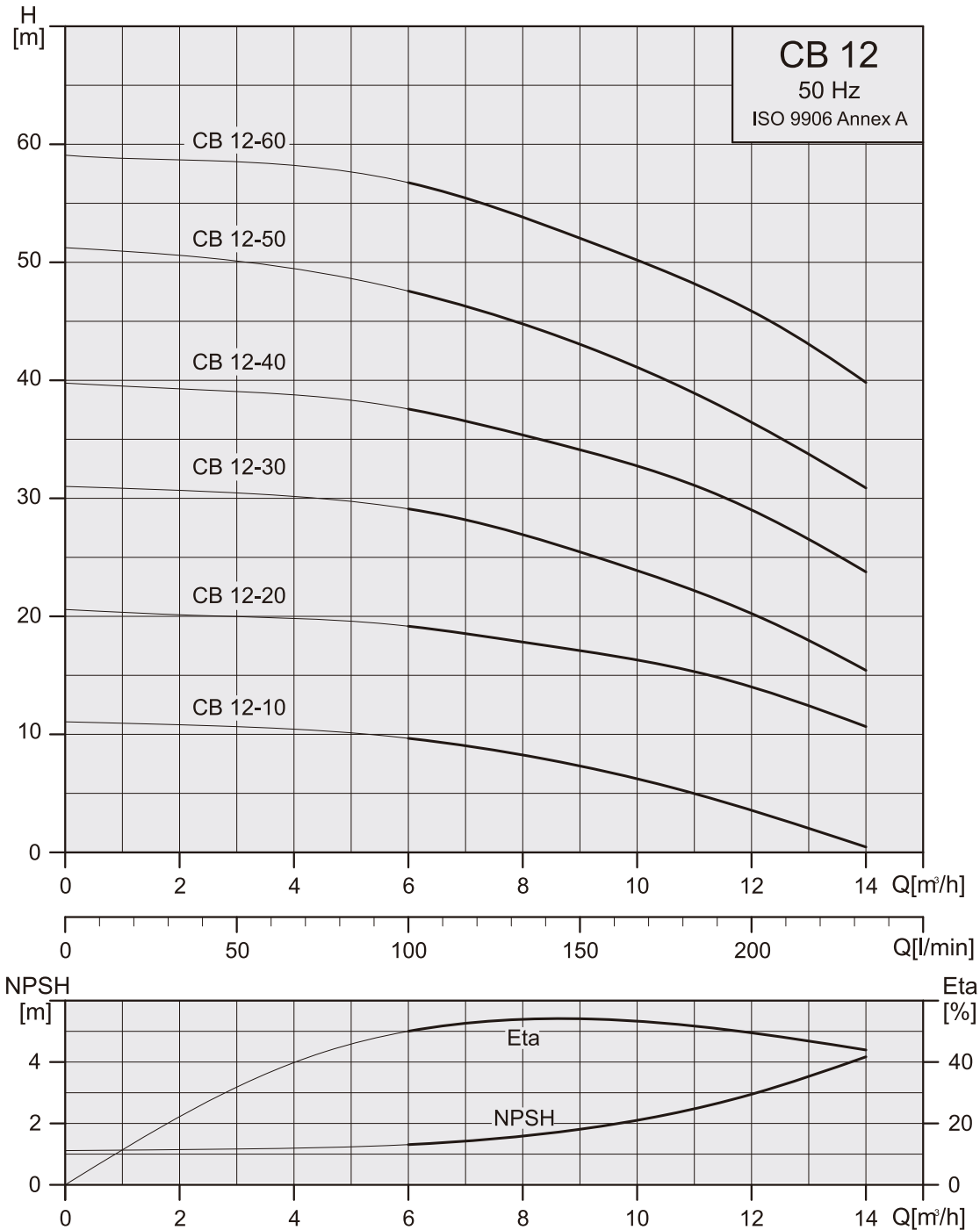


STAIRS PUMPS

Technical data

CB 12

Performance curves 50Hz



Electrical data, 2850 rpm

Pump type	1Φ 220-240V			3Φ Δ220-240V / Y 380-415V		
	I _{1n} [A]	P ₁ [W]	P ₂ [W]	I _{1n} [A]	P ₁ [W]	P ₂ [W]
CB 12-10	—	—	—	2.8 - 3.1 / 1.6 - 1.8	590	455
CB 12-20	5.3 - 5.1	1160	935	3.8 - 4.0 / 2.2 - 2.3	1170	950
CB 12-30	7.8 - 7.4	1680	1330	5.7 - 6.5 / 3.3 - 3.8	1690	1365
CB 12-40	11.0 - 10.6	2400	1995	7.3 - 7.6 / 4.2 - 4.4	2350	1960
CB 12-50	12.7 - 12.2	2910	2440	8.8 - 9.0 / 5.1 - 5.2	2820	2375
CB 12-60	—	—	—	10.6-11.4 / 6.1 - 6.6	3320	2860



STAIRS PUMPS

Technical data

CB

Dimensions and weights 50 Hz

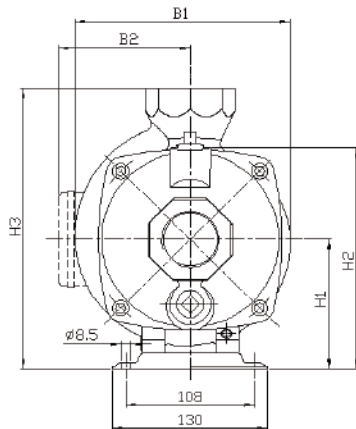


Fig. 1

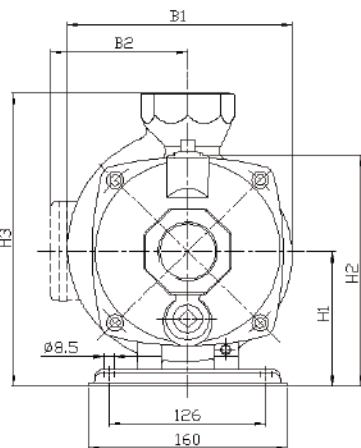
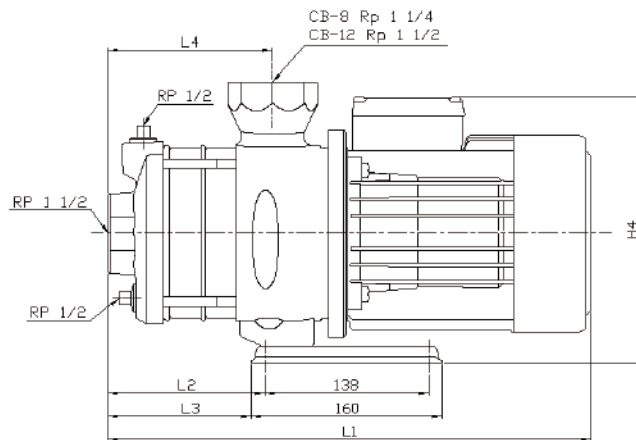
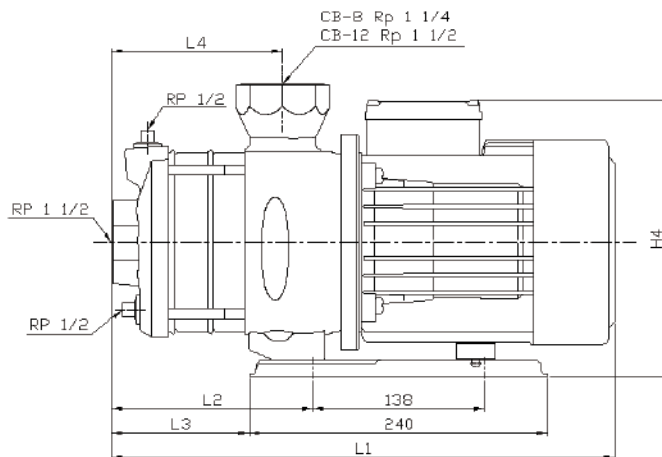


Fig. 2



CB - 8

Pump type	Dimension [mm]																				Fig.		Net Weight [mm]	
	1 phase										3 phase										1Φ	3Φ	1Φ	3Φ
	L1	L2	L3	L4	B1	B2	H1	H2	H3	H4	L1	L2	L3	L4	B1	B2	H1	H2	H3	H4				
CB 8-20	320	54	41	77	181	135	110	187	239	245	320	54	41	77	181	114	110	187	239	224	1	1	17.2	17.0
CB 8-25	-	-	-	107	-	-	110	187	239	-	390	84	71	107	181	114	110	187	239	224	-	1	-	19.1
CB 8-30	390	84	71	107	181	135	110	187	239	245	390	84	71	107	181	114	110	187	239	224	1	1	19.5	19.2
CB 8-40	390	84	71	107	181	135	110	187	239	245	390	84	71	107	181	114	110	187	239	224	1	1	20.7	20.5
CB 8-50	480	162	111	137	185	152	110	187	239	262	420	114	101	137	181	114	110	187	239	224	2	1	28.5	21.4
CB 8-60	480	162	111	137	185	152	110	187	239	262	480	162	111	137	185	139	110	187	239	249	2	2	28.7	27.6

CB - 12

Pump type	Dimension [mm]																				Fig.		Net Weight [mm]	
	1 phase										3 phase										1Φ	3Φ	1Φ	3Φ
	L1	L2	L3	L4	B1	B2	H1	H2	H3	H4	L1	L2	L3	L4	B1	B2	H1	H2	H3	H4				
CB 12-10	-	-	-	77	-	-	110	187	239	-	320	54	41	77	181	114	110	187	239	224	-	1	-	17.9
CB 12-20	360	54	41	77	181	135	110	187	239	245	360	54	41	77	181	114	110	187	239	224	1	1	18.4	18.2
CB 12-30	390	84	71	107	181	135	110	187	239	245	390	84	71	107	181	114	110	187	239	224	1	1	20.6	20.4
CB 12-40	450	132	81	107	185	152	110	187	239	262	450	132	81	107	185	139	110	187	239	249	2	2	27.7	26.7
CB 12-50	480	162	111	137	185	152	110	187	239	262	480	162	111	137	185	139	110	187	239	249	2	2	29.8	29.9
CB 12-60	-	-	-	137	-	-	122	199	251	-	501	162	111	137	196	150	122	199	251	272	-	2	-	35.2

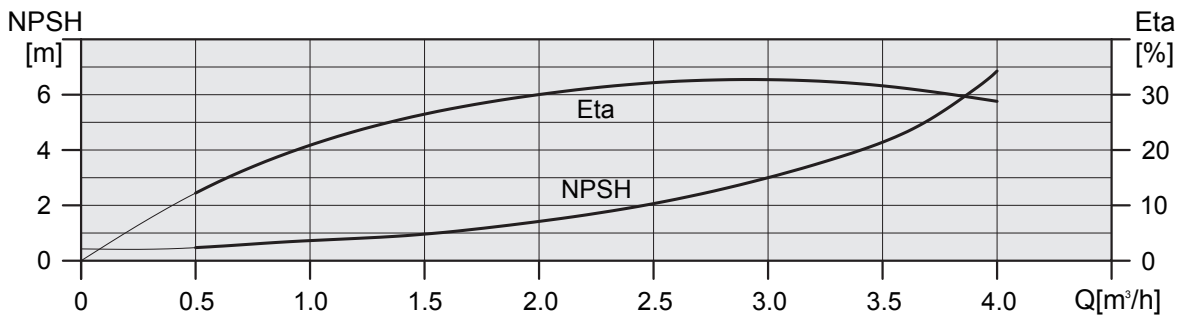
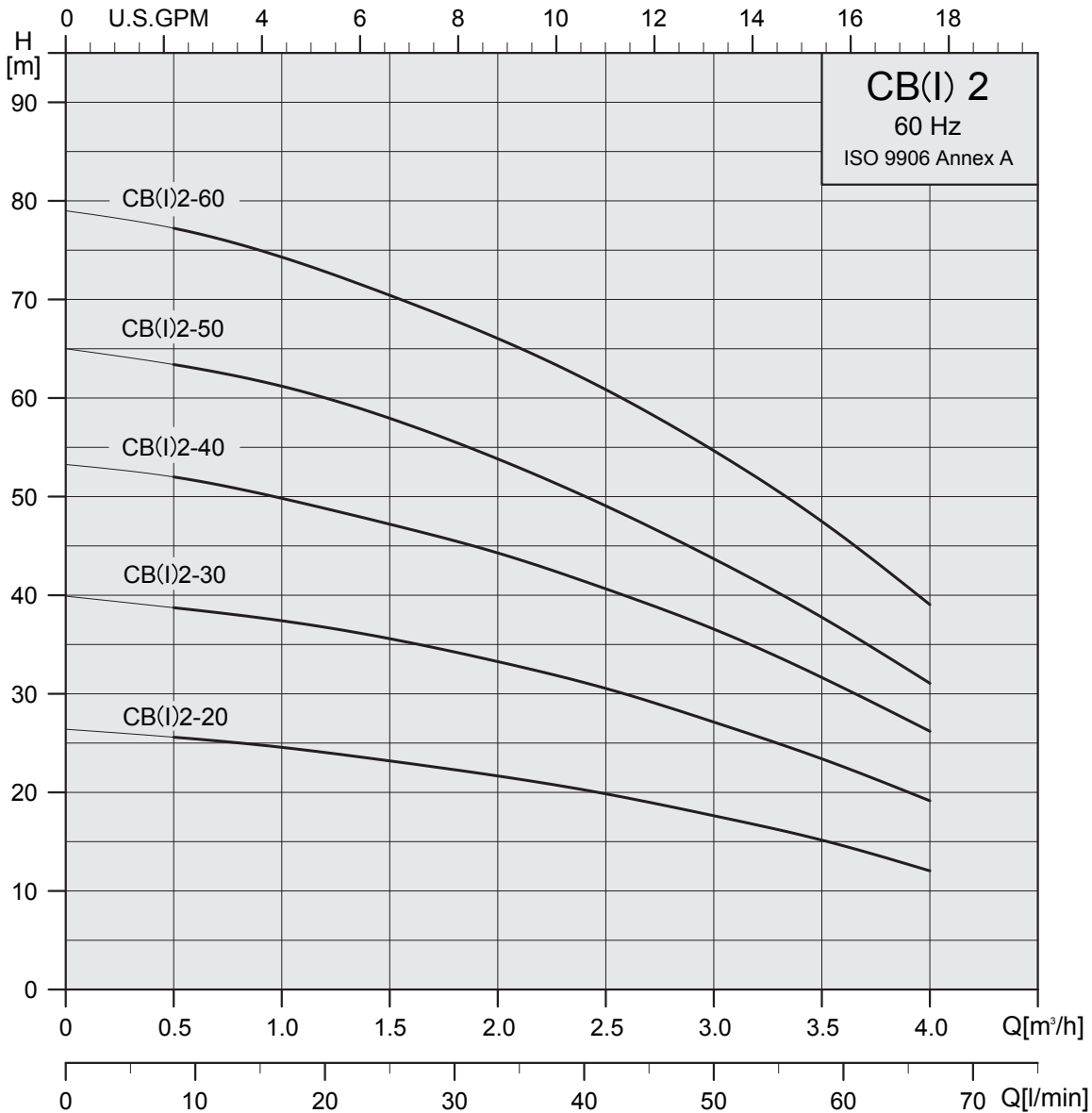


STAIRS PUMPS

Technical data

CB, CBI 2

Performance curves 60 Hz



Electrical data, 3450 rpm

Pump type	1Φ 110 / 220V			3Φ Δ 220-255 / Y 380-440 V		
	I _{1/1} [A]	P ₁ [W]	P ₂ [W]	I _{1/1} [A]	P ₁ [W]	P ₂ [W]
CB/CBI 2-20	6.3 / 3.2	570	460	1.8 - 1.9 / 1.0 - 1.1	550	430
CB/CBI 2-30	7.9 / 4.1	780	630	3.5 - 3.3 / 2.0 - 1.9	680	540
CB/CBI 2-40	8.8 / 4.4	870	710	3.1 - 3.2 / 1.8 - 1.9	950	725
CB/CBI 2-50	11.7 / 5.9	1190	995	3.7 - 3.8 / 2.1 - 2.2	1160	940
CB/CBI 2-60	13.7 / 6.9	1410	1180	3.7 - 3.8 / 6.4 - 6.6	1280	1060

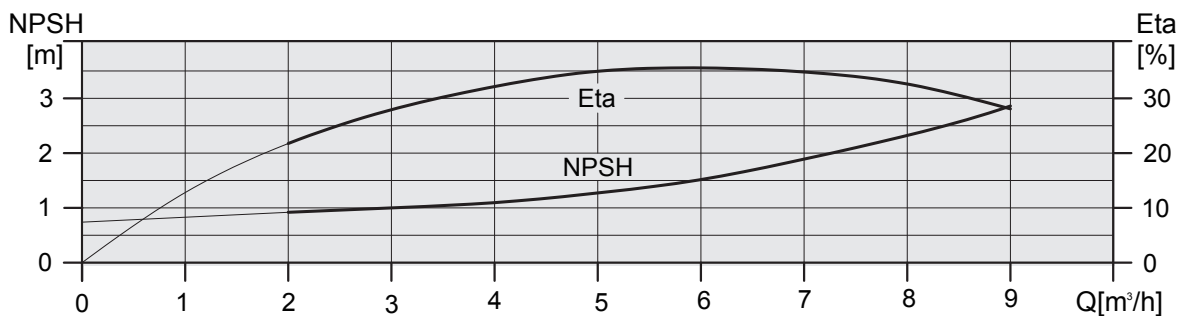
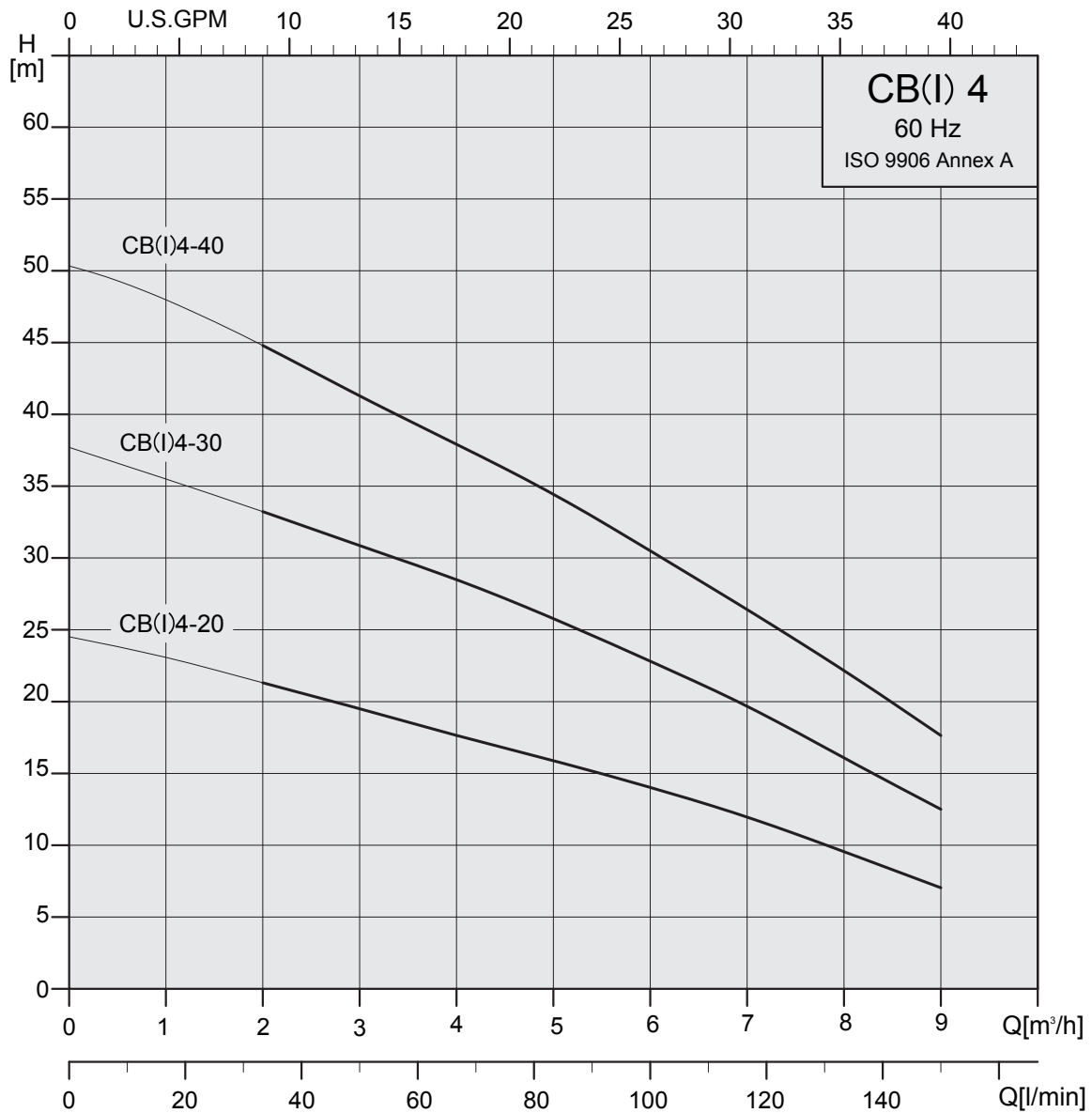


STAIRS PUMPS

Technical data

CB, CBI 4

Performance curves 60Hz



Electrical data, 3450 rpm

Pump type	1Φ 110 / 220V			3Φ Δ 220-255 / Y 380-440 V		
	I _{1/1} [A]	P ₁ [W]	P ₂ [W]	I _{1/1} [A]	P ₁ [W]	P ₂ [W]
CB/CBI 4-20	9.5 / 4.7	950	770	2.85 - 3.0 / 1.65 - 1.8	890	720
CB/CBI 4-30	12.5 / 6.2	1310	1100	3.9 - 4.0 / 2.3 - 2.4	1250	1050
CB/CBI 4-40	— / 8.3	1700	1360	5.1 - 5.3 / 2.9 - 3.1	1630	1310



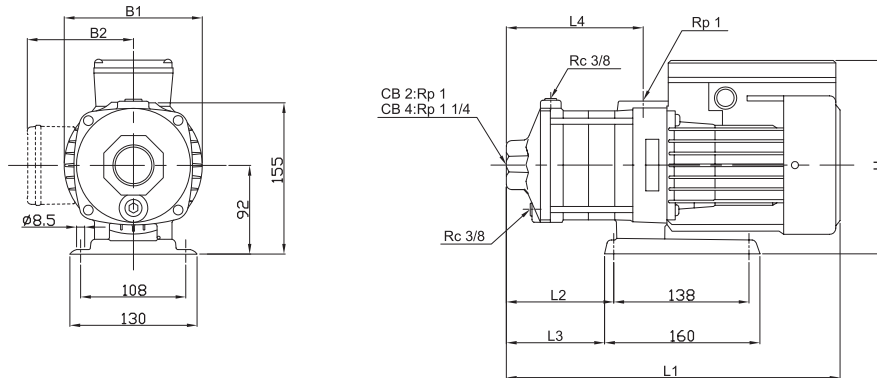
STAIRS PUMPS

Technical data

CB, CBI

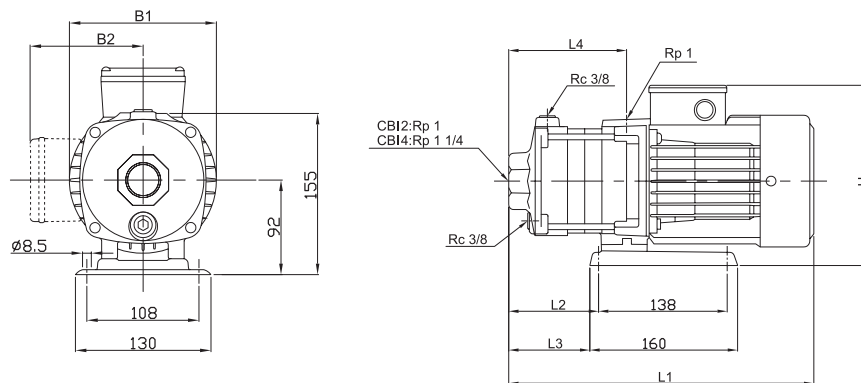
Dimensions and weights 60 Hz

CB-2, CB-4



pump type	mm									Kg	
	L1	L2	L3	L4	B1	B2		H		1phase	3phase
						1phase	3phase	1phase	3phase		
CB 2-20	309	75	63	101	141	127	115	228	207	10.3	10.0
CB 2-30	327	93	81	119	141	127	115	228	207	11.1	10.8
CB 2-40	345	111	99	137	141	127	115	228	207	11.3	11.1
CB 2-50	403	129	117	155	141	127	115	228	207	13	12.4
CB 2-60	421	147	135	173	141	127	115	228	207	13.2	12.7
CB 4-20	318	84	72	110	141	127	115	228	207	12.2	10.7
CB 4-30	384	111	99	137	141	127	115	228	207	12.7	12.3
CB 4-40	412	138	126	164	141	127	115	228	207	14	13.7

CBI-2, CBI-4



pump type	mm									Kg	
	L1	L2	L3	L4	B1	B2		H		1phase	3phase
						1phase	3phase	1phase	3phase		
CBI 2-20	309	75	63	101	141	127	115	228	207	9.1	8.8
CBI 2-30	327	93	81	119	141	127	115	228	207	10.0	9.6
CBI 2-40	345	111	99	137	141	127	115	228	207	10.2	10.0
CBI 2-50	403	129	117	155	141	127	115	228	207	11.8	11.5
CBI 2-60	421	147	135	173	141	127	115	228	207	12.1	11.7
CBI 4-20	318	84	72	110	141	127	115	228	207	9.8	9.5
CBI 4-30	384	111	99	137	141	127	115	228	207	11.5	11.1
CBI 4-40	412	138	126	164	141	127	115	228	207	12.8	12.6

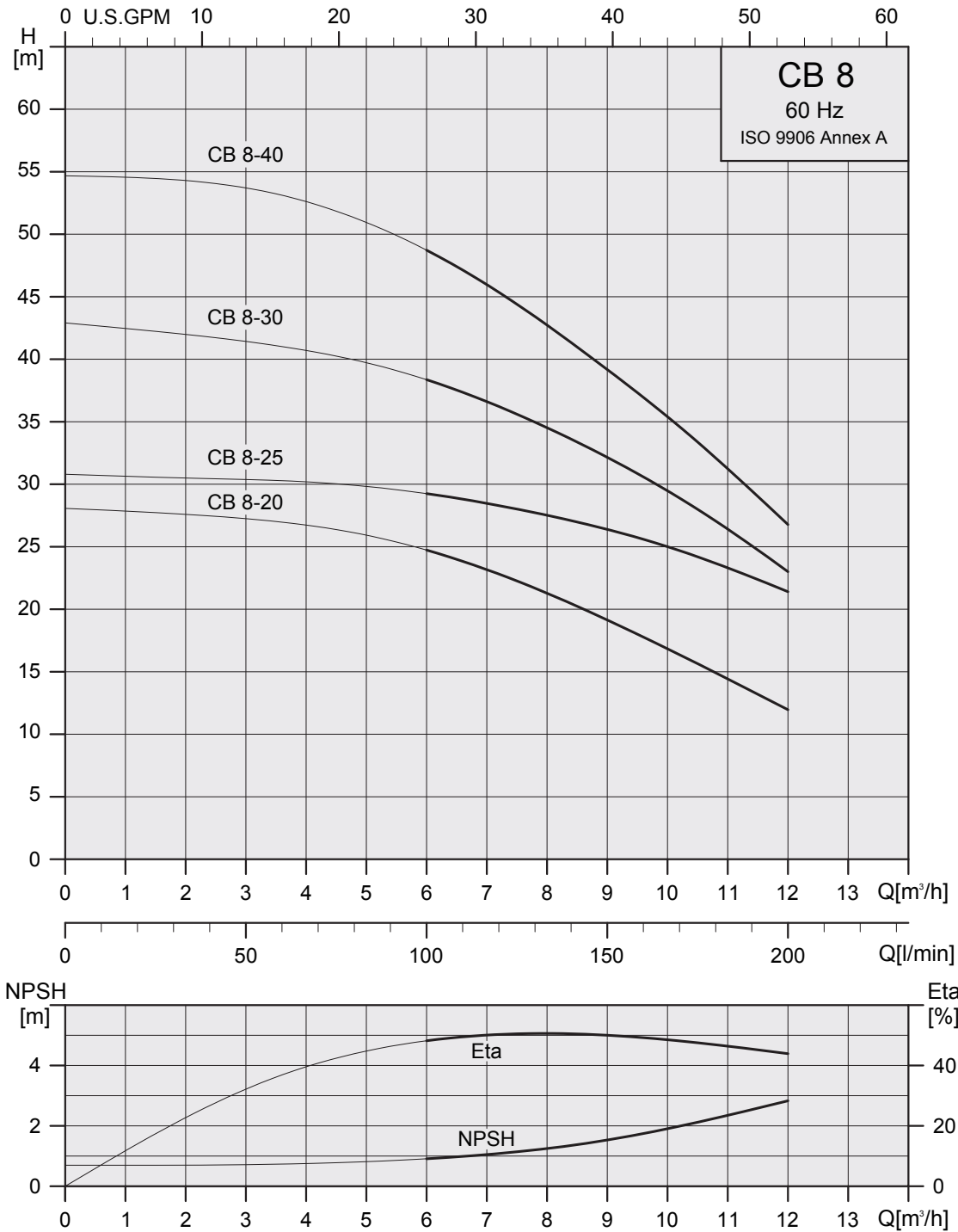


STAIRS PUMPS

Technical data

CB 8

Performance curves 60Hz



Electrical data, 3450 rpm

Pump type	1Φ 110 / 220V			3Φ Δ 220-255 / Y 380-440 V		
	I _{1/1} [A]	P ₁ [W]	P ₂ [W]	I _{1/1} [A]	P ₁ [W]	P ₂ [W]
CB 8-20	11.7 / 5.9	1250	1050	3.7 - 3.8 / 2.2 - 2.3	1220	1020
CB 8-25	—	—	—	4.8 - 5.0 / 2.8 - 2.9	1620	1295
CB 8-30	— / 8.9	1830	1510	5.7 - 5.5 / 3.3 - 3.2	1860	1490
CB 8-40	— / 10.4	2080	1720	3Φ Δ 220-277 / Y 380-480 V		
				6.4 - 5.9 / 3.7 - 3.4	2340	1930

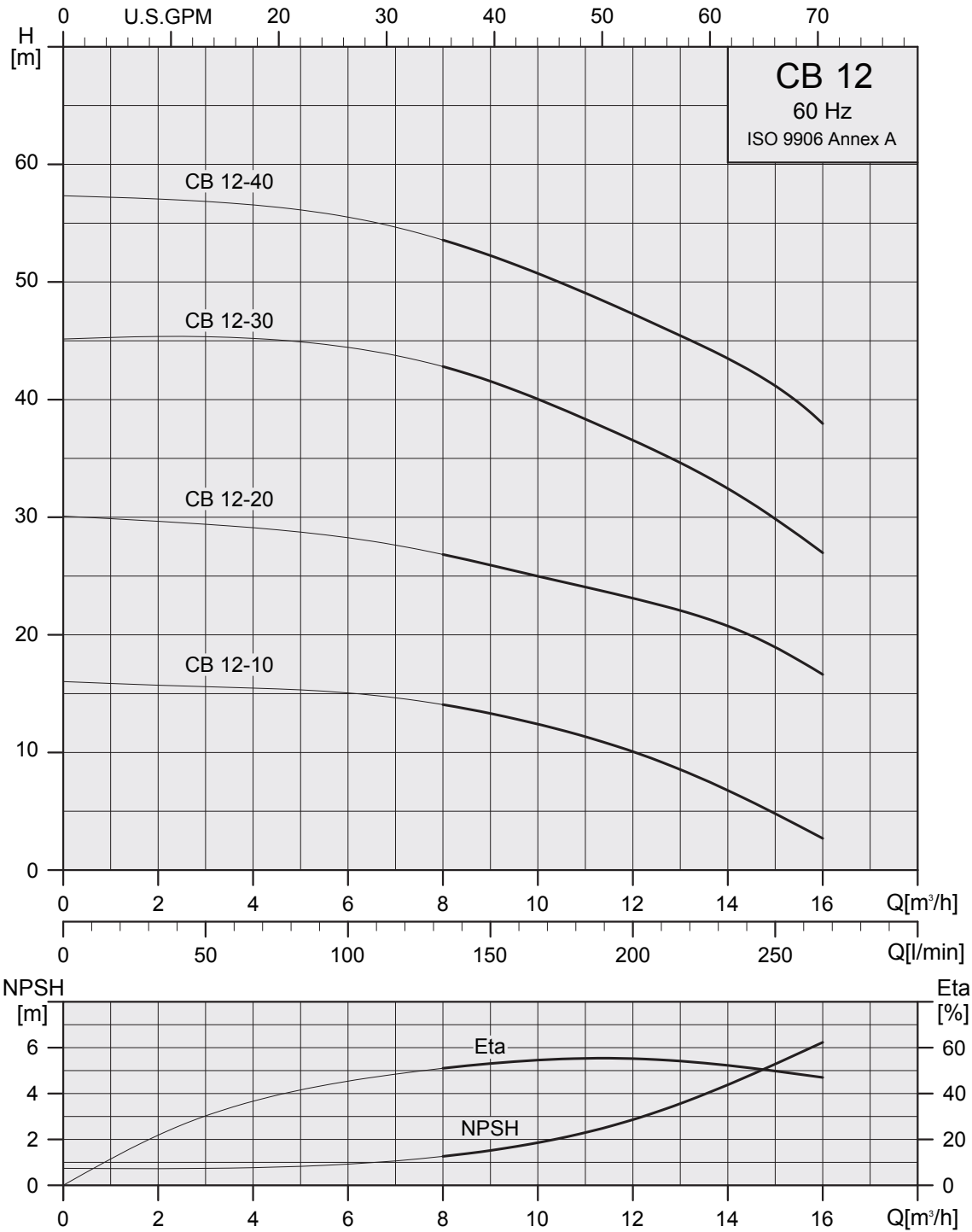


STAIRS PUMPS

Technical data

CB 12

Performance curves 60Hz



Electrical data, 3450 rpm

Pump type	1Φ 110 / 220V			3Φ Δ 220-255 / Y 380-440 V		
	I _{1/n} [A]	P ₁ [W]	P ₂ [W]	I _{1/n} [A]	P ₁ [W]	P ₂ [W]
CB 12-10	—	—	—	3.5 - 3.7 / 2.0 - 2.1	910	765
CB 12-20	— / 9.4	2120	1750	6.0 - 5.9 / 3.5 - 3.4	1960	1570
				3Φ Δ 220-277 / Y 380-480 V		
CB 12-30	—	—	—	8.8 - 10.2 / 5.1 - 5.9	2940	2430
CB 12-40	—	—	—	11.2 - 11.3 / 6.5 - 6.6	3810	3250



STAIRS PUMPS

Technical data

CB

Dimensions and Weights 60Hz

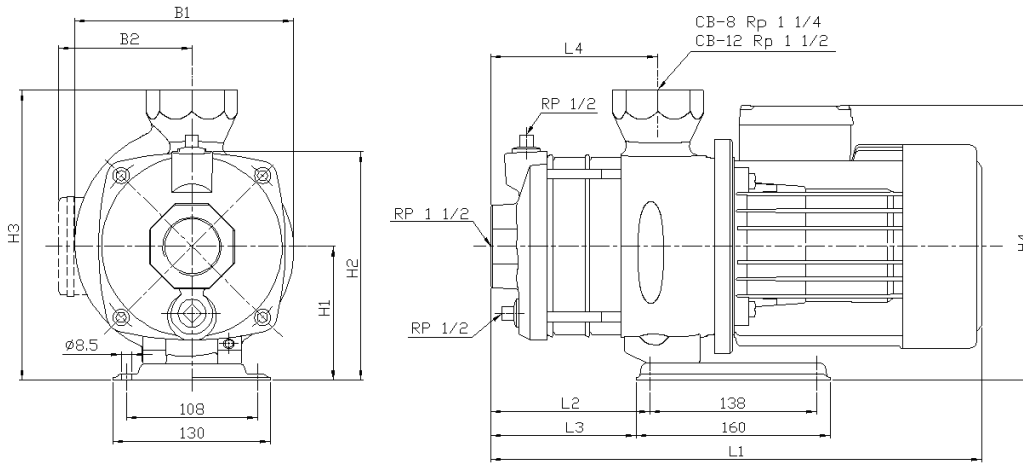


Fig. 1

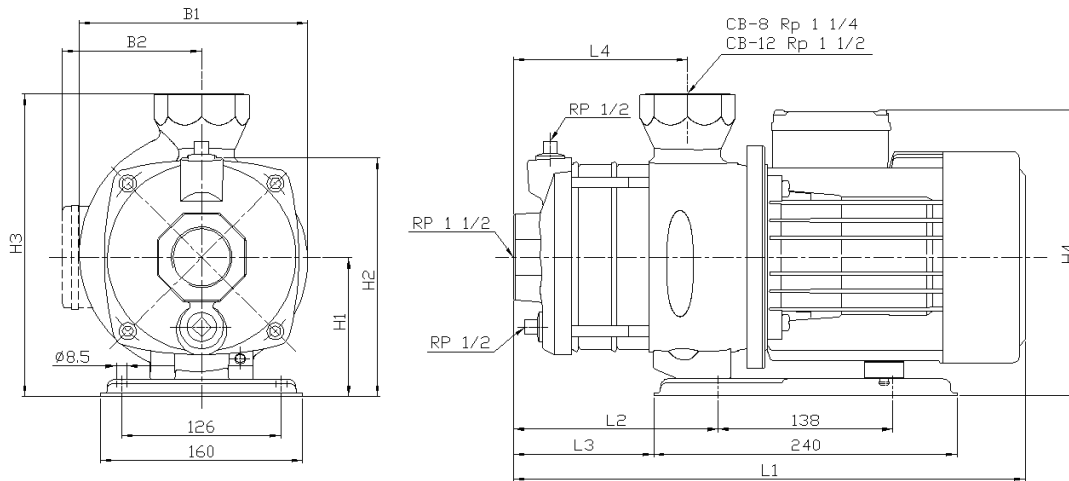


Fig. 2

CB - 8

Pump type	Dimension [mm]																				Fig.		Net Weight [mm]	
	1 phase										3 phase													
	L1	L2	L3	L4	B1	B2	H1	H2	H3	H4	L1	L2	L3	L4	B1	B2	H1	H2	H3	H4	1Φ	3Φ	1Φ	3Φ
CB 8-20	360	54	41	77	181	135	110	187	239	245	360	54	41	77	181	114	110	187	239	224	1	1	18.6	18.4
CB 8-25	-	-	-	107	-	-	110	187	239	-	390	84	71	107	181	114	110	187	239	224	-	1	-	20.3
CB 8-30	450	132	81	107	185	152	110	187	239	262	390	84	71	107	181	114	110	187	239	224	2	1	26.6	20.4
CB 8-40	450	132	81	107	185	152	110	187	239	262	450	132	81	107	185	139	110	187	239	249	2	2	26.8	26.8

CB - 12

Pump type	Dimension [mm]																				Fig.		Net Weight [mm]	
	1 phase										3 phase													
	L1	L2	L3	L4	B1	B2	H1	H2	H3	H4	L1	L2	L3	L4	B1	B2	H1	H2	H3	H4	1Φ	3Φ	1Φ	3Φ
CB 12-10	-	-	-	77	-	-	110	187	239	-	360	54	41	77	181	114	110	187	239	224	-	1	-	16.2
CB 12-20	420	102	51	77	185	152	110	187	239	262	360	54	41	77	181	114	110	187	239	224	2	1	25.8	19.1
CB 12-30	-	-	-	107	-	-	110	187	239	-	450	132	81	107	185	139	110	187	239	249	-	2	-	28.9
CB 12-40	-	-	-	107	-	-	122	199	251	-	471	132	81	107	196	150	122	199	251	272	-	2	-	34.2

