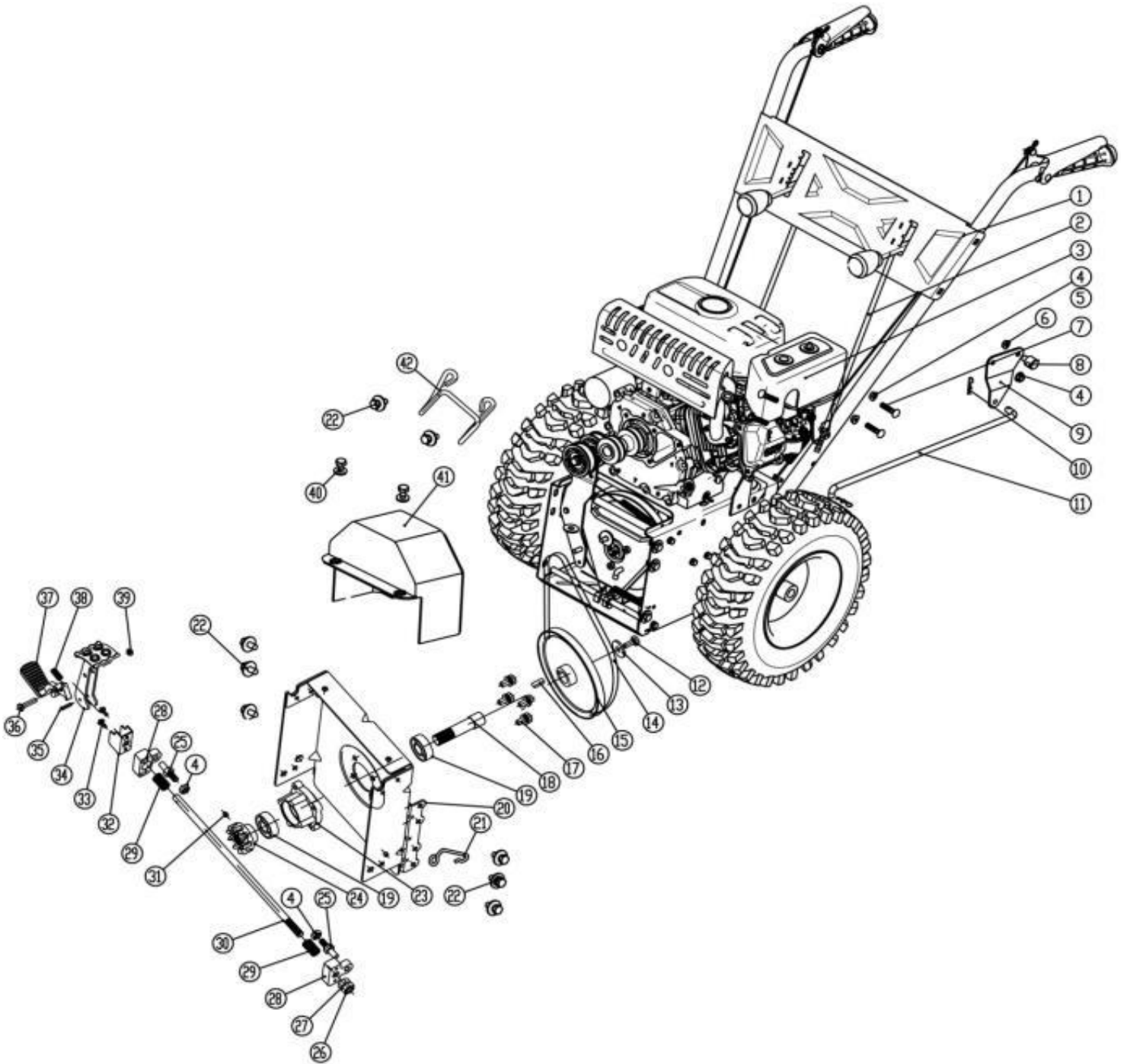


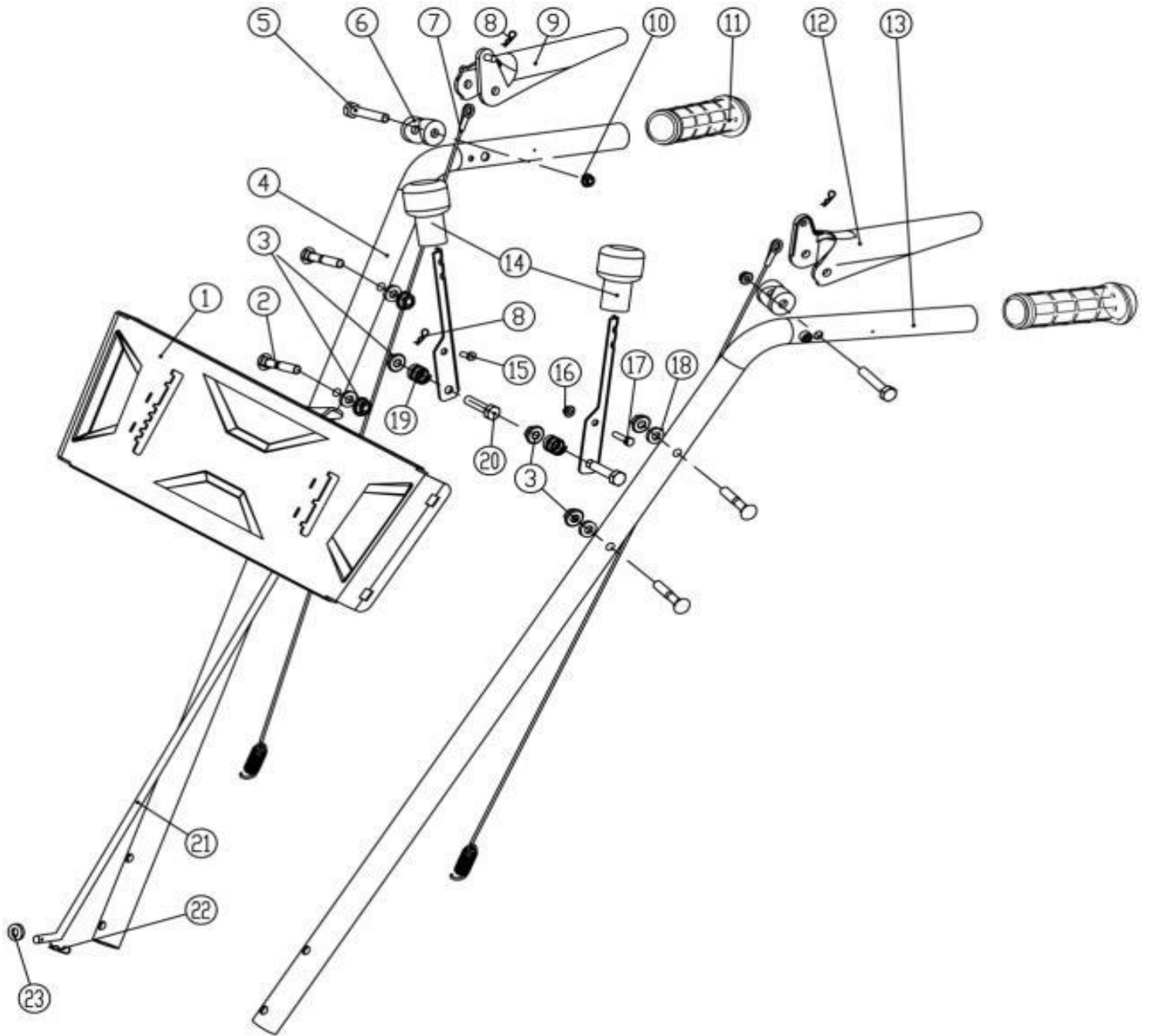
1.



DASC 7080

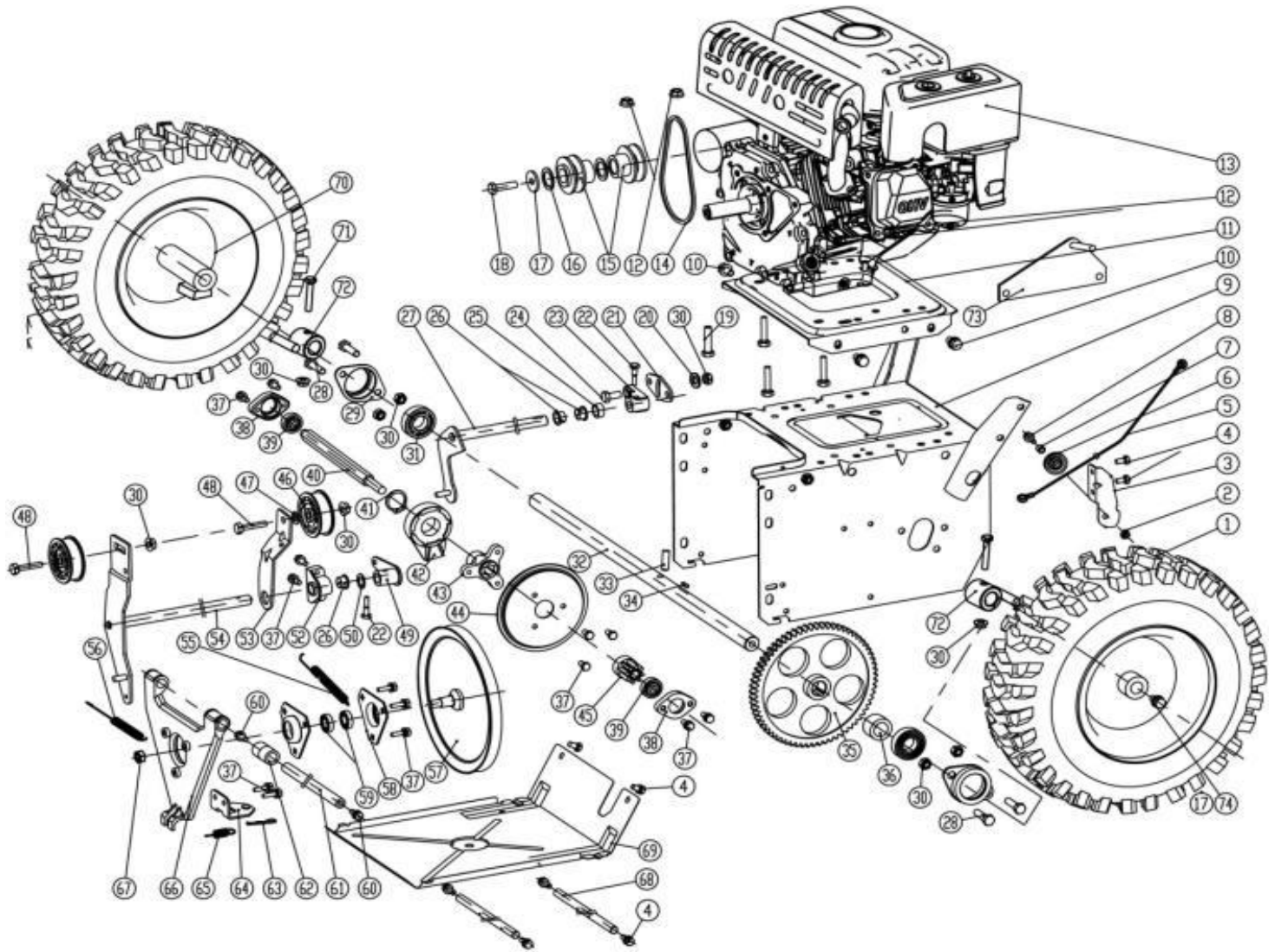
Pos	Code	Part name	Additional article
1	DASC7080-1-1	handle assembly	KC21-03F
2	DASC7080-1-2	connecting rod	KCB31-02
3	DASC7080-1-3	box	KC21-02F
4	DASC7080-1-4	hex locking nut M8	GB/T899.1-2000
5	DASC7080-1-5	washer 8x22x2	S07*00447
6	DASC7080-1-6	hex locking nut M6	GB/T 6183.1-2000
7	DASC7080-1-7	T bolot M8x42	S07*00232
8	DASC7080-1-8	pin with hole	KCB31-03
9	DASC7080-1-9	steering plate	KCB31-04
10	DASC7080-1-10	B pin	KC55-29
11	DASC7080-1-11	steering level	KCF2-1-01
12	DASC7080-1-12	hex bolt M8x25(left rotate)	GB/T5780-2000
13	DASC7080-1-13	big washer 8	GB/T 5287-2002
14	DASC7080-1-14	belt	V10x705RLS
15	DASC7080-1-15	belt pulley	KC21-01-06
16	DASC7080-1-16	A parallel key 6x6x20	GB/T1095-2003
17	DASC7080-1-17	boltM8x16	GB/T9074.17-2002
18	DASC7080-1-18	belt pulley short shaft	KCF2-1-05
19	DASC7080-1-19	ball bearing 6203-2RZ	GB/T276-1994
20	DASC7080-1-20	bearing fixed plate assembly	KCF2-1-06
21	DASC7080-1-21	connect rob hook	KCF2-1-07
22	DASC7080-1-22	bolt M8x20	GB/T9074.17-2002
23	DASC7080-1-23	bearing housing	KCB31-09
24	DASC7080-1-24	protruded bear bush	KCF2-1-08
25	DASC7080-1-25	connecting shaft	KCF2-1-09
26	DASC7080-1-26	locking nut M10	GB/T 889.1-2000
27	DASC7080-1-27	hex nut M10	GB/T6170-2000
28	DASC7080-1-28	guide holder	KCF2-1-10
29	DASC7080-1-29	spring 14.6x1.6x23	KCF2-1-11
30	DASC7080-1-30	pull rod shaft	KCF2-1-12
31	DASC7080-1-31	fixed screw M8x6	GB/T78-2000
32	DASC7080-1-32	locating seat	KCF2-1-14
33	DASC7080-1-33	screw M5x12	GB/T818-2000
34	DASC7080-1-34	pedal assembly	KCF2-1-15
35	DASC7080-1-35	pin 4x18	GB/T119.1-2000
36	DASC7080-1-36	hex bolt M6x25	GB/T5782-2000
37	DASC7080-1-37	pedal trigger	KCF2-1-16
38	DASC7080-1-38	spring 9.2x1.2x18	KCF2-1-17
39	DASC7080-1-39	hex locking nut M6	GB/T 889.1-2000
40	DASC7080-1-40	bolt M6x25	GB/T9074.17-2002
41	DASC7080-1-41	belt cover	KCF2-1-18
42	DASC7080-1-42	belt rod	KC21-11C

2.



Pos	Code	Part name	Additional article
1	DASC7080-2-1	panel	KCB31-01
2	DASC7080-2-2	bolt M8x35	GB/T12-1988
3	DASC7080-2-3	hex locking nut M8	GB/T889.1-2000
4	DASC7080-2-4	handle	KC21-03-02R
5	DASC7080-2-5	handle screw	KC21-03C-2
6	DASC7080-2-6	handle pad	KC21-03C-08
7	DASC7080-2-7	long wire	KC21-03C-01
8	DASC7080-2-8	B pin	S03*00493
9	DASC7080-2-9	right control handle	KC21-03C-04
10	DASC7080-2-10	hex locking nut M6	GB/T 6183.1-2000
11	DASC7080-2-11	handle	KC21-03C-05
12	DASC7080-2-12	left control handle	KC21-03C-06
13	DASC7080-2-13	left handle	KC21-03-02L
14	DASC7080-2-14	control handle	KCM24-04(M4)-2
15	DASC7080-2-15	wire pin	KC55-03-06
16	DASC7080-2-16	hex locking nut M6	GB/T 889.1-2000
17	DASC7080-2-17	hex bolt M6x16	GB/T 5780-2000
18	DASC7080-2-18	washer 8x22x2	s07*00447
19	DASC7080-2-19	spring	KC55-03-04
20	DASC7080-2-20	hex bolt M8x35	GB/T 5780-2000
21	DASC7080-2-21	starting connecting rod	KCB31-33A
22	DASC7080-2-22	spring clamp	KC55-29
23	DASC7080-2-23	washer 8	GB/T95-2002

3.

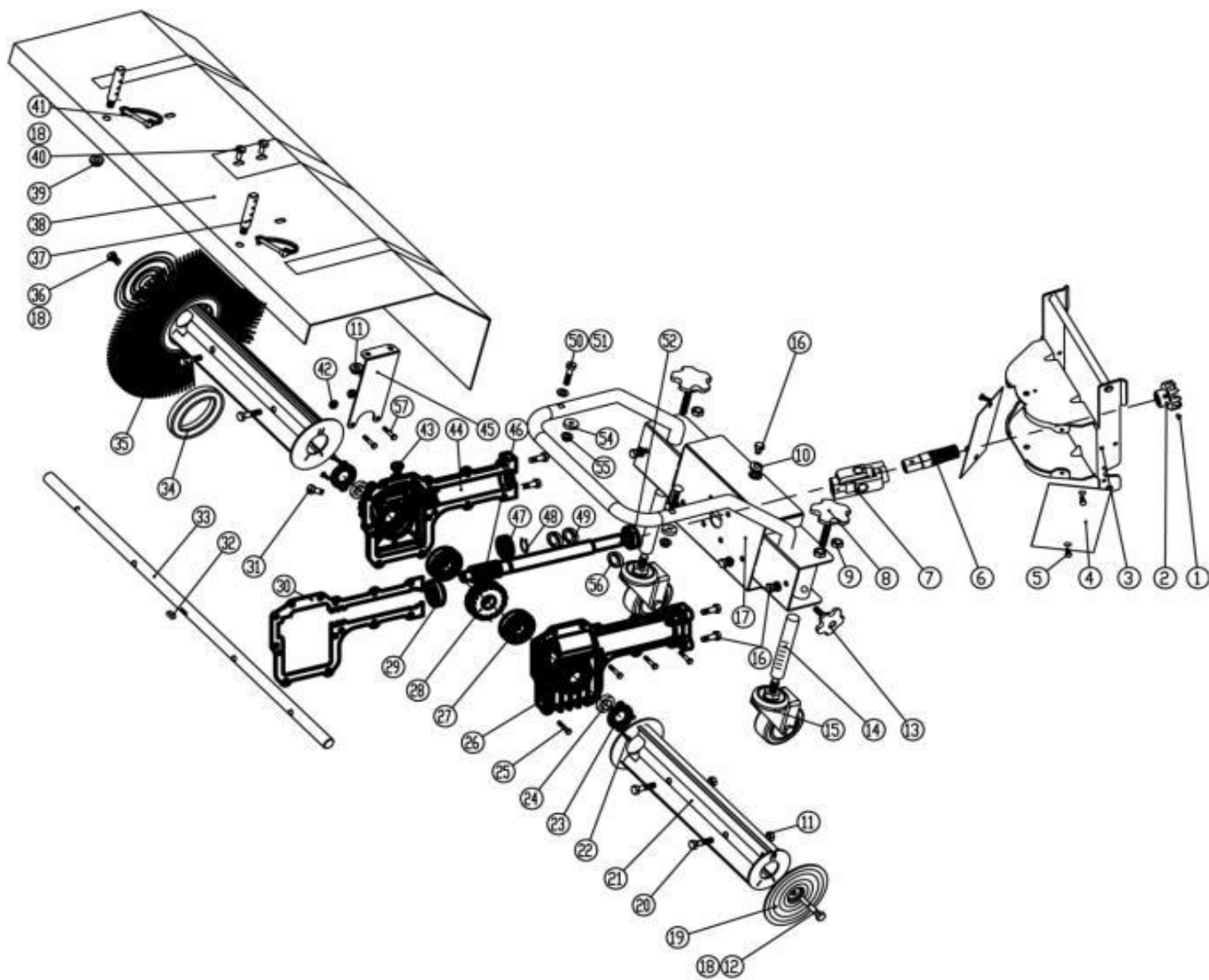


Pos	Code	Part name	Additional article
1	DASC7080-3-1	13" tyre	(13) 4.10-6
2	DASC7080-3-2	hex locking nut M6	GB/T899.1-2000
3	DASC7080-3-3	pulley seat	KCM24-02C-19
4	DASC7080-3-4	hex bolt M6x12	GB/T9074.13-1988
5	DASC7080-3-5	short wire	KC21-02C-01
6	DASC7080-3-6	pulley	KC40-28
7	DASC7080-3-7	shaft bushing	KC21-02-2
8	DASC7080-3-8	hex bolt M6x20	GB/T5780-2000
9	DASC7080-3-9	worm box assembly	KC21-02C-02A
10	DASC7080-3-10	hex bolt M8x20	GB/T9074.17-1988
11	DASC7080-3-11	engine seat	KC21-02C-03
12	DASC7080-3-12	hex locking nut M8	GB/T6183.1-2000
13	DASC7080-3-13	engine	ZS168FB
14	DASC7080-3-14	belt	3LXP825
15	DASC7080-3-15	primary pulley	KC21-02C-04
16	DASC7080-3-16	primary pulley washer	KC21-02C-5
17	DASC7080-3-17	big washer 8	GB/T5287-2002
18	DASC7080-3-18	hex bolt M8x1x30	GB/T5786-2000
19	DASC7080-3-19	hex bolt M8x35	GB/T5780-2000
20	DASC7080-3-20	washer 8	GB/T95-2002
21	DASC7080-3-21	gear adjust plate	KC21-02-05
22	DASC7080-3-22	hex bolt M6x20	GB/T9074.17-2000
23	DASC7080-3-23	gear connector	KC21-02-06A
24	DASC7080-3-24	hex bolt M8x16	GB/T5780-2000
25	DASC7080-3-25	pad sleeve	KC21-02-34
26	DASC7080-3-26	plastic shaft bushing	KC90-02-07
27	DASC7080-3-27	fork	KC55-02-05
28	DASC7080-3-28	hex bolt M8x16	GB/T5780-2000
29	DASC7080-3-29	bearing seat	KC90-02-11
30	DASC7080-3-30	hex locking nut M8	GB/T899.1-200

DASC 7080

Pos	Code	Part name	Additional article
31	DASC7080-3-31	ball bearing 6304	GB/T276-1997
32	DASC7080-3-32	13" driving shaft	KCF2-1-04
33	DASC7080-3-33	spring pin ϕ 6X30	GB/T879.2-2000
34	DASC7080-3-34	parallel key 6x6x22	GB/T1905-2003
35	DASC7080-3-35	big gear	KC21-02C-07
36	DASC7080-3-36	shaft bushing	KC21-02C-08
37	DASC7080-3-37	hex bolt M6x16	GB/T9074.13-1988
38	DASC7080-3-38	inner bearing seat	KC21-02-33
39	DASC7080-3-39	spring washer 25	GB/T894.1-1986
40	DASC7080-3-40	hex shaft	KC21-02-24
41	DASC7080-3-41	spring washer 25	GB/T894.1-1986
42	DASC7080-3-42	pull bearing	KC21-02-13
43	DASC7080-3-43	housing for rubber pulley	KC21-02-12B
44	DASC7080-3-44	rubber pulley	KC21-02-11A
45	DASC7080-3-45	gear	KC21-02-25
46	DASC7080-3-46	small tension pulley	KC55-02-21
47	DASC7080-3-47	washer 8	GB/T95-2002
48	DASC7080-3-48	hex bolt M8x30	GB/T5780-2000
49	DASC7080-3-49	tension connector	KCM24-02C-18
50	DASC7080-3-50	spring washer 12	GB/T955-1987
51	DASC7080-3-51	belt pulley	KC21-02C-13
52	DASC7080-3-52	fixed block	KC21-02C-09
53	DASC7080-3-53	small tension plate	KC21-02C-10
54	DASC7080-3-54	big tension pulley assembly	KC21-02C-11
55	DASC7080-3-55	studdle	KC90-02-31
56	DASC7080-3-56	brake tension spring	KC21-02C-12
57	DASC7080-3-57	belt pulley	KC21-02C-13
58	DASC7080-3-58	bearing seat	KC90-02-12
59	DASC7080-3-59	ball bearing 6002	GB/T276-1997
60	DASC7080-3-60	hex bolt M8x16	GB/T9074.13-1988
61	DASC7080-3-61	studdle	KC90-02-31
62	DASC7080-3-62	spacer bush	KC55-02-10
63	DASC7080-3-63	pin ϕ 1.5X25	S03*00493B
64	DASC7080-3-64	connecting assembly	KC21-02C-14
65	DASC7080-3-65	spring	KC21-02C-17
66	DASC7080-3-66	friction disk bracket	KC21-02C-15
67	DASC7080-3-67	hex locking nut M12	GB/T899.1-2000
68	DASC7080-3-68	studdle	KC55-02-40
69	DASC7080-3-69	bottom plate	KC21-02C-16A
70	DASC7080-3-70	wheel hub assembly	KCF2-1-02
71	DASC7080-3-71	hex bolt M8x45	GB/T5780-2000
72	DASC7080-3-72	wheel hub bushing assembly	KCF2-1-03
73	DASC7080-3-73	steering fixed plate	KCB31-05B
74	DASC7080-3-74	hex bolt M8x20	GB/T5780-2000

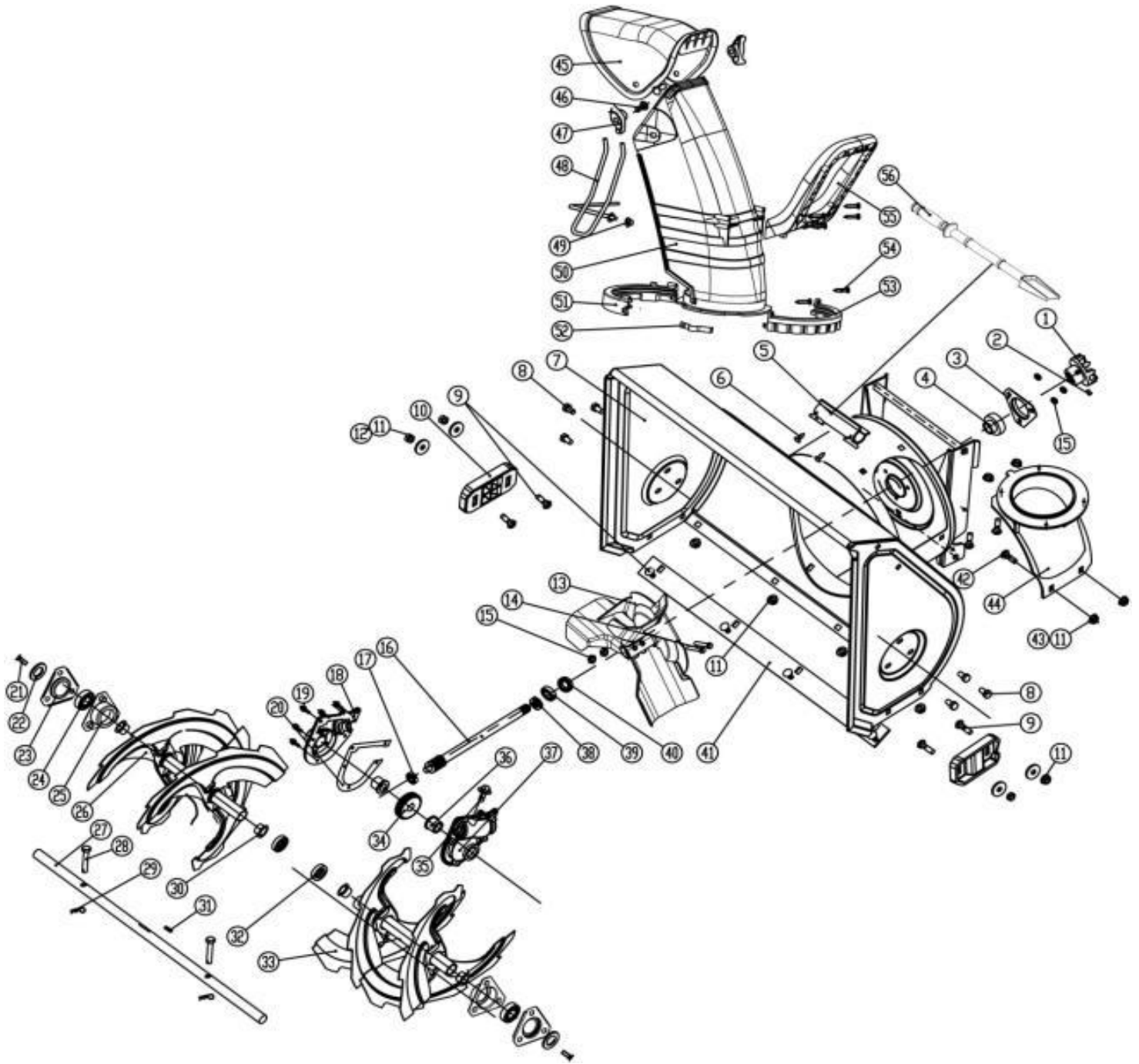
4.



DASC 7080

Pos	Code	Part name	Additional article
1	DASC7080-4-1	locking screw M8x16	GB/T78-2000
2	DASC7080-4-2	concave gear bush	KCF2-2-01A
3	DASC7080-4-3	sweeper quick connect seat	KCF2-2-02
4	DASC7080-4-4	plate	KCB31-07
5	DASC7080-4-5	hex locking screw M6x12	GB/T6563
6	DASC7080-4-6	cardan short shaft	KCF2-2-03A
7	DASC7080-4-7	cardan	KCF2-2-04
8	DASC7080-4-8	screw M10	KCB31-39
9	DASC7080-4-9	hex nut M10	GB/T 41-2000
10	DASC7080-4-10	small tension pulley pad	KC55-02-20
11	DASC7080-4-11	hex locking nut M8	GB/T 889.1
12	DASC7080-4-12	hex bolt M8x25	GB/T 5780-2000
13	DASC7080-4-13	screw M8	KCB31-40
14	DASC7080-4-14	universal wheel shaft	KCB31-11B
15	DASC7080-4-15	universal wheel	
16	DASC7080-4-16	hex bolt M8x20(assembly)	GB/T9074.17
17	DASC7080-4-17	worm housing fixed plate	KCB31-12B
18	DASC7080-4-18	big washer 8	GB/T96.2
19	DASC7080-4-19	limited pad	KCB31-13
20	DASC7080-4-20	hex bolt M8x35	GB/T 5780-2000
21	DASC7080-4-21	brush bracket 800	KCB31-14E
22	DASC7080-4-22	screw M5x10	GB/T 818-2000
23	DASC7080-4-23	oil cover	KCB31-37
24	DASC7080-4-24	FW out sealing ring 22x30x7	GB13871
25	DASC7080-4-25	hex bolt M6x20	GB/T9074.17
26	DASC7080-4-26	worm housing(right)	KCB31-15B
27	DASC7080-4-27	worm housing bearing	KCB31-36
28	DASC7080-4-28	worm gear	KCB31-16
29	DASC7080-4-29	bearing 30302	GB/T294-1994
30	DASC7080-4-30	paper washer	KCB31-17B
31	DASC7080-4-31	hex bolt M10x15	GB/T 5787-1987
32	DASC7080-4-32	A parallel key 6x6x18	GB/T 1096
33	DASC7080-4-33	transmission shaft	KCB31-18B
34	DASC7080-4-34	brush pad	KCB31-19-1
35	DASC7080-4-35	brush	KCB31-19
36	DASC7080-4-36	hex bolt M8x25	GB/T 5780-2000
37	DASC7080-4-37	hex nut M10	KCB31-20
38	DASC7080-4-38	connector	KCB31-21BA
39	DASC7080-4-39	hex nut M10	GB/T 889.1-2000
40	DASC7080-4-40	hex bolt M8x16	GB/T 5780-2000
41	DASC7080-4-41	pin 6x40	0819-10
42	DASC7080-4-42	hex nut M6	GB/T 899.1
43	DASC7080-4-43	venting plug 8	CU0807
44	DASC7080-4-44	worm housing (left)	KCB31-22B
45	DASC7080-4-45	strut plate with brush cover	KCB31-23B
46	DASC7080-4-46	worm shaft	KCF2-2-06A
47	DASC7080-4-47	ball bearing 51104	GB/T 301-1995
48	DASC7080-4-48	check ring 20	GB894.1-86
49	DASC7080-4-49	sealing ringφ20Xφ32X7	GB13871
50	DASC7080-4-50	hex bolt M8x50	GB/T 5780-2000
51	DASC7080-4-51	washer 8x22x2	S07*00447
52	DASC7080-4-52	ball bearing	6003-2RZ
53	DASC7080-4-53	hex bolt M8x25(assembly)	GB/T 9074.17
54	DASC7080-4-54	plastic nut seat	KC55-04
55	DASC7080-4-55	hex locking nut M8	GB/T 6183.1-2000
56	DASC7080-4-56	sealing ring φ17Xφ30X7	GB13871
57	DASC7080-4-57	hex bolt M6x25	GB/T 5780-2000

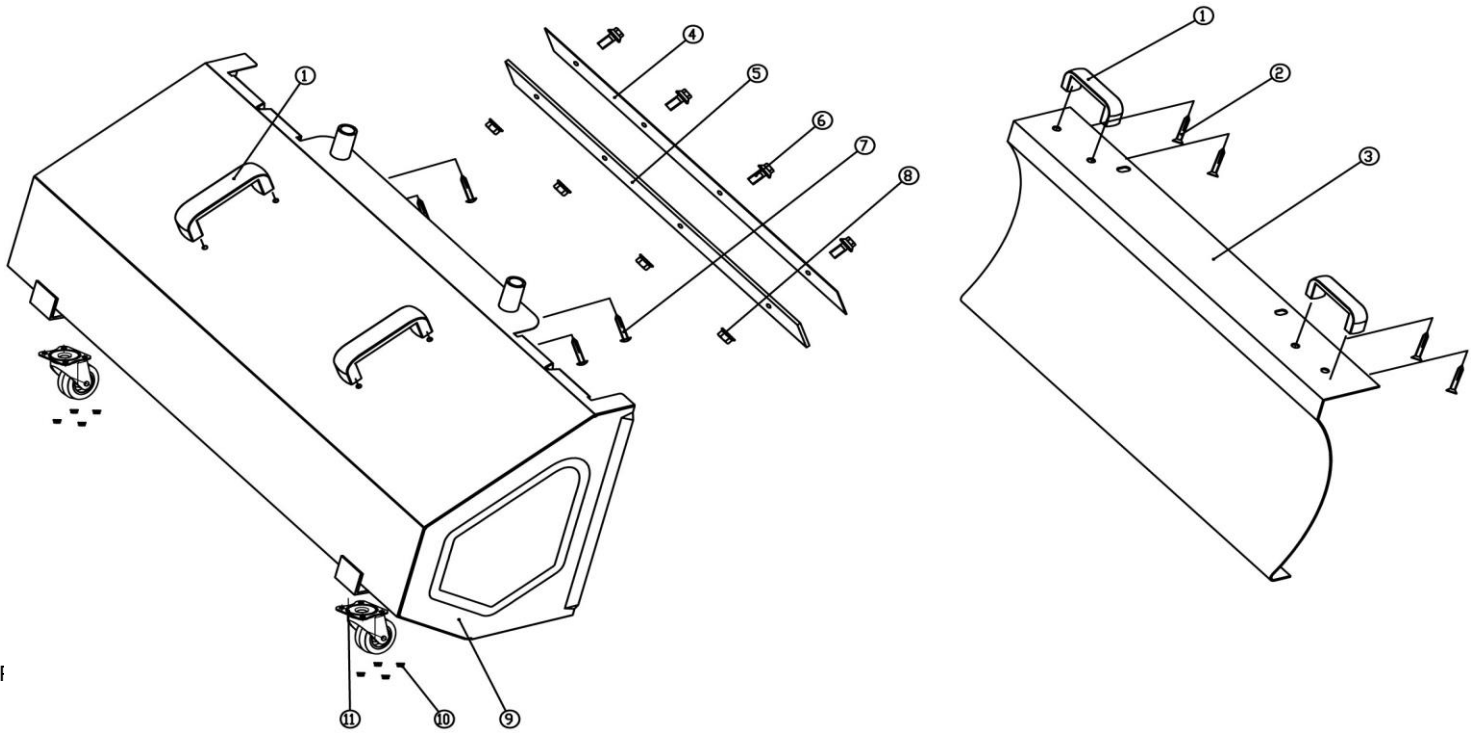
5.



DASC 7080

Pos	Code	Part name	Additional article
1	DASC7080-5-1	concave gear bush	KCF2-2-01A
2	DASC7080-5-2	hex locking screw M8x8	GB/T 78-2000
3	DASC7080-5-3	bearing cover	KCM24-01-02
4	DASC7080-5-4	ball bearing SB204	GB/T7810-95
5	DASC7080-5-5	shovel support	KC55-01-21
6	DASC7080-5-6	self tapping screw ST4.2x9.5-F	GB/T845-1985
7	DASC7080-5-7	housing assembly	KCF2-3-01A
8	DASC7080-5-8	hex screwM8x16	GB/T 6563-1986
9	DASC7080-5-9	bolt M8x16	GB/T12-1988
10	DASC7080-5-10	skid shoe	KC22A-01-02
11	DASC7080-5-11	jam nut M8	GB/T 889.1-2000
12	DASC7080-5-12	big washer 8	GB/T96.2-2002
13	DASC7080-5-13	fan	KCM24-01C-06
14	DASC7080-5-14	bolt M6x35	GB/T5780-2000
15	DASC7080-5-15	jam nut M6	GB/T 889.1-2000
16	DASC7080-5-16	worm shaft	KCF2-3-02A
17	DASC7080-5-17	ball bearing 6001	GB/T276-1994
18	DASC7080-5-18	worm case left	KC55-01-14
19	DASC7080-5-19	bolt M6x20	GB/T9074.17
20	DASC7080-5-20	paper washer	KC55-01-12
21	DASC7080-5-21	hex screw M6x16	GB/T70.3-2000
22	DASC7080-5-22	washer	KCM24-01-21
23	DASC7080-5-23	bearing inner seat	KCM24-01C-05
24	DASC7080-5-24	ball bearing 6203	GB/T276-1996
25	DASC7080-5-25	bearing seat	KCM24-01C-04
26	DASC7080-5-26	left auger	KCM22A-01A-06
27	DASC7080-5-27	output shaft	KCM22A-01-05
28	DASC7080-5-28	safety bolt	KC21-01-03
29	DASC7080-5-29	B pin	KC55-29
30	DASC7080-5-30	drive shaft sleeve	KC55-01-06
31	DASC7080-5-31	round head flat key	GB/T1096-1979
32	DASC7080-5-32	seal ring FB19x30	GB 13871-1992
33	DASC7080-5-33	right auger	KCM22A-01A-04
34	DASC7080-5-34	worm	KC55-01-13A
35	DASC7080-5-35	bolt M10x15	GB/T 5787-1987
36	DASC7080-5-36	output shaft sleeve ϕ 19	KC55-01-09A
37	DASC7080-5-37	worm case right	KC55-01-08
38	DASC7080-5-38	single thrust bearing 51104	GB/T301-1995
39	DASC7080-5-39	ball bearing 6004	GB/T276-1994
40	DASC7080-5-40	seal ring FB20x35x7	GB 13871-1992
41	DASC7080-5-41	scrapper	KCM22A-01-03
42	DASC7080-5-42	bolt M8x16	GB/T12-1988
43	DASC7080-5-43	washer 8	GB/T95-2002
44	DASC7080-5-44	fixing seat for chute	KCM24-01C-07
45	DASC7080-5-45	chute cap	KCM22A-15
46	DASC7080-5-46	bolt M8x20	GB/T12-1988
47	DASC7080-5-47	plastic nut	KC55-25
48	DASC7080-5-48	safty fence	KCM22A-20
49	DASC7080-5-49	cap 6	KCW-04
50	DASC7080-5-50	chute	KCM22A-16
51	DASC7080-5-51	chute set 1	KCM22A-17
52	DASC7080-5-52	spring	KCM22A-18
53	DASC7080-5-53	chute set 2	KCM22A-19
54	DASC7080-5-54	screw ST4.2x16	GB/T845-1985
55	DASC7080-5-55	chute handle	KCM22A-14
56	DASC7080-5-56	shovel	KC55-24

6.



Pos	Code	Part name	Additional article
1	DASC7080-6-1	black handle	1106234
2	DASC7080-6-2	screw ST4.2x16	GB/T846-1985
3	DASC7080-6-3	push plate	KCB31-29
4	DASC7080-6-4	plate	KCB31-28
5	DASC7080-6-5	rubber plate	KCB31-30
6	DASC7080-6-6	hex bolt M8x16	GB/T5787-1986
7	DASC7080-6-7	screw ST4.2x16-F	GB/T 845-1985
8	DASC7080-6-8	hex locking bolt M8	GB/T 889.1-2000
9	DASC7080-6-9	collecting box	KCB31-31
10	DASC7080-6-10	hex locking nut M5	GB/T 889.1-2000
11	DASC7080-6-11	2" universal wheel	AD02000009