

SOLID EXIT

LED EXIT LIGHT WITH A VIEWING DISTANCE OF 30 M,
FOR SURFACE MOUNTING ON A WALL

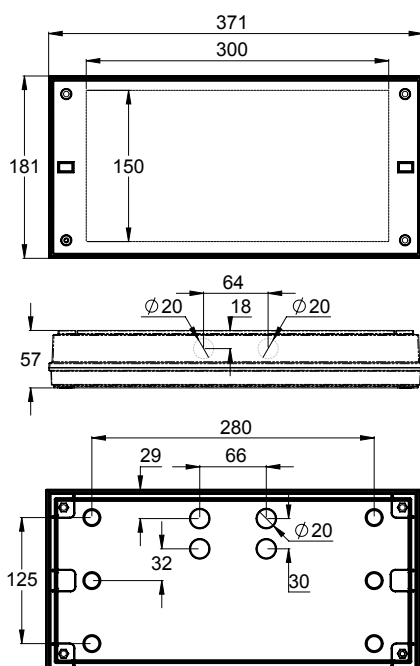


SOLID is Teknoware's new IP65 enclosure class exit and emergency light product family. SOLID is designed for demanding conditions. Wall mounted, one sided SOLID exit light comes with easily changeable pictograms. Special attention has been paid to the design, for easy installation.

The luminaire is completely dust proof and water proof, so it is suitable for example for industrial premises, parking halls, as well as for outdoor use. SOLID uses long lasting leds as its light source.

The range also has a model with a downlight function, which is suitable for example for mounting above a door.

DIMENSIONS



- ⊕ = Protection class of luminaire is 1
- ⊞ = Protection class of luminaire is 2
- ⊟ = Protection class of luminaire is 3
- ⊠ = Luminaire is suitable for through-wiring
- IP20 = Protection rating
- Col = Colour of the body
- View = Viewing distance
- LED = LED as a light source
- Aalto = Aalto Control compatible (incl. Lumi Test)
- M = Self-contained luminaire with Lumi test self-testing
- Escap = Self-contained luminaire with 1 h super capacitor backup
- C = Compatible with Tapsa Control Central Battery Unit and Local Controller
- 850 = compliant with the 850 glow wire test
- IC = Compatible with Intelligent Controller
- CBS = Centrally supplied

CENTRALLY SUPPLIED LUMINAIRES

24-230V CENTRALLY SUPPLIED EXIT LIGHTS

Product code	Nominal supply voltage	Max input power	Operation mode	Temperature range	Electrical installation	Weight (kg)
TWT3071W	24-230 V, 50/60 Hz AC	24 V=1,2 VA / 0,8 W 230 V=3,5 VA / 1,5 W	CBS	-30...+50°C	24 V=2 x 2,5 mm ² 230 V=3 x 2,5 mm ² -o-	
Y3071W140	(individually packed incl. TWT3071W + set of pictograms: pictograms PB3003E, PB3002E, PB3001E)					

230V CENTRALLY SUPPLIED EXIT LIGHTS



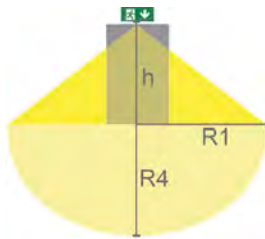
Product code	Nominal supply voltage	Max input power	Operation mode	Temperature range	Electrical installation	Weight (kg)
TWT3051WK	220-240 V, 50/60 Hz AC	6 VA / 3 W	CBS / C + IC	-30...+50°C	2/3 x 2,5 mm ² -o-	1,4
Y3051WK140	(individually packed incl. TWT3051WK + set of pictograms: pictograms PB3003E, PB3002E, PB3001E)					
TWT3051WKE *)	220-240 V, 50/60 Hz AC	6,5 VA / 3,5 W	CBS / C + IC	-30...+50°C	2/3 x 2,5 mm ² -o-	1,4
Y3051WKE140 *)	(individually packed incl. TWT3051WKE + set of pictograms: pictograms PB3003E, PB3002E, PB3001E)					

*) Exit light with downlight function

LIGHT DISTRIBUTION TABLES

Downlight chart for Exit Lights

Tables of 1 lux and 0,5 lux, under the Exit Light.
Level of measurement 0,02 m, measurement result with battery operation.



R1 distance from wall (X axis) | R4 distance from wall (Y axis)

TWT3051WKE

Mounting height (m)	Below the light (lux)	R1 (m)	R4 (m)	R1 (m)	R4 (m)
		1 lux	1 lux	0,5 lux	0,5 lux
2	17	1,5	1,5	2	2
2,5	12	2	2	2,5	2,5
3	7,5	2	2	2,5	2,5
4	4	2	2	2,5	2,5
5	2,5	2	2	2,5	2,5
6	1,5	1,5	1,5	2,5	2,5

SOLID EXIT



SELF-CONTAINED LUMINAIRES WITH SUPER CAPACITOR

SELF-CONTAINED EXIT LIGHTS WITH SUPER CAPACITOR AND WIRELESS CENTRAL MONITORING



Product code	Nominal supply voltage	Max input power	Operation mode	Temperature range	Electrical installation	Weight (kg)
TWS3092WA	220-240 V, 50/60 Hz AC	4 VA	1 h Escap + Aalto	-25... +35°C	2/3 x 2,5 mm ² -o-	1,3
Y3092WA140	(individually packed incl. TWS3092WA + set of pictograms: pictograms PB3003E, PB3002E, PB3001E)					

SELF-CONTAINED EXIT LIGHTS WITH SUPER CAPACITOR AND SELF-TESTING



Product code	Nominal supply voltage	Max input power	Operation mode	Temperature range	Electrical installation	Weight (kg)
TWS3092WM	220-240 V, 50/60 Hz AC	4 VA	1 h Escap + M	-25... +35°C	2/3 x 2,5 mm ² -o-	1,3
Y3092WM140	(individually packed incl. TWS3092WM + set of pictograms: pictograms PB3003E, PB3002E, PB3001E)					

= Protection class of luminaire is 1 = Protection rating **Aalto** = Aalto Control compatible (incl. Lumi Test) = compliant with the 850 glow wire test
 = Protection class of luminaire is 2 = Colour of the body **M** = Self-contained luminaire with Lumi test self-testing **IC** = Compatible with Intelligent Controller
 = Protection class of luminaire is 3 = Viewing distance **Escap** = Self-contained luminaire with 1 h super capacitor backup **CBS** = Centrally supplied
 = Luminaire is suitable for through-wiring = LED as a light source **C** = Compatible with Tapsa Control Central Battery Unit and Local Controller

SELF-CONTAINED LUMINAIRES WITH BATTERY

SELF-CONTAINED EXIT LIGHTS WITH 3 H BATTERY AND WIRELESS CENTRAL MONITORING



Product code	Nominal supply voltage	Max input power	Operation mode	Temperature range	Electrical installation	Weight (kg)
TWT3053WA	220-240 V, 50/60 Hz AC		3 h battery + Aalto	-5... +30°C	2/3 x 2,5 mm ² -o-	
Y3053WA140	(individually packed incl. TWT3053WA + set of pictograms: pictograms PB3003E, PB3002E, PB3001E)					

SELF-CONTAINED EXIT LIGHTS WITH 3 H BATTERY AND SELF-TESTING







Product code	Nominal supply voltage	Max input power	Operation mode	Temperature range	Electrical installation	Weight (kg)
TWT3053WM	220-240 V, 50/60 Hz AC		3 h battery + M	-5... +30°C	2/3 x 2,5 mm ² -o-	
Y3053WM140	(individually packed incl. TWT3053WM + set of pictograms: pictograms PB3003E, PB3002E, PB3001E)					

SOLID EXIT



SEPARATELY ORDERED PICTOGRAMS

Product code	Pictogram	Product description
PB3003E		Down arrow
PB3002E		Right arrow
PB3001E		Left arrow
PB3005E		Up arrow

Pictograms in the table are 1-sided