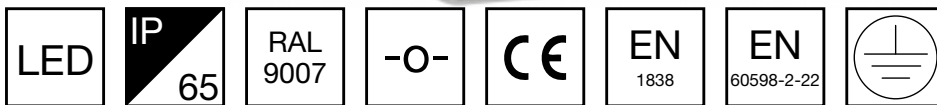


STAMINA: ZONE



Stamina Zone is a versatile and durable emergency light that is designed to be used outdoors in demanding industrial environments, such as tunnels, carports, garages, and loading platforms. Wherever there's a need for a stylish but sturdy luminaire to withstand cold and rough conditions, Stamina is the best choice for you.

Stamina has an impact resistant cast aluminium body (IK10) and it is dust- and waterproof (IP65). Stamina's standard colour is graphite grey (RAL 9007). On request, it is also possible to have Stamina in any RAL-colour you like to match the surrounding environment. Stamina can also be used for general lighting.

The product codes starting with letter Y include an individually packed luminaire. The product codes starting with TW include the luminaire only.

SELF-CONTAINED ESCAP EMERGENCY LIGHTS WITH SUPER CAPACITOR AND SELF-TESTING

Product Code	Nominal Supply Voltage	Feature	Backup (h)	Form
TWS5792WMG	220-240 V, 50/60 Hz AC	Escap, Lumi Test	1	
TWS5292WM	220-240 V, 50/60 Hz AC	Escap, Lumi Test	1	

SELF-CONTAINED ESCAP EMERGENCY LIGHTS WITH SUPER CAPACITOR AND WIRELESS CENTRAL MONITORING

Product Code	Nominal Supply Voltage	Feature	Backup (h)
TWS5792WAG	220-240 V, 50/60 Hz AC	Aalto Control, Escap, Lumi Test	1

We reserve the rights to make modifications without notice.
Copyright © 2021 Teknoware. All rights reserved.
Date: January 05, 2021 | Source:
www.teknoware.com/en/emergency-lighting/emergency-lights/emergency-light-product-families/stamina-zone



Product Code	Nominal Supply Voltage	Feature	Backup (h)
TWS5292WA	220-240 V, 50/60 Hz AC	Aalto Control, Escap, Lumi Test	1

ADDRESSABLE 230 V CENTRALLY SUPPLIED EMERGENCY LIGHTS

Product Code	Nominal Supply Voltage	Feature
TWT5251WK	220-240 V, 50/60 Hz AC,DC	Intelligent Controller, Tapsa Control

We reserve the rights to make modifications without notice.

Copyright © 2021 Teknoware. All rights reserved.

Date: January 05, 2021 | Source:

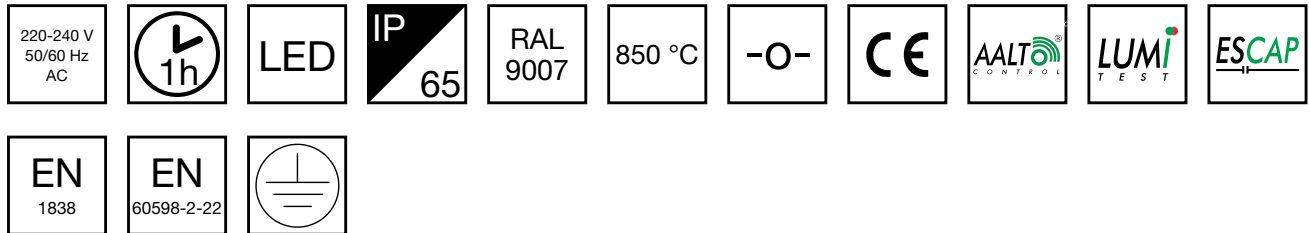
www.teknoware.com/en/emergency-lighting/emergency-lights/emergency-light-product-families/stamina-zone



Teknoware Oy | P.O. Box 19, 15101 Lahti | Ilmarisentie 8, 15200 Lahti Finland

Tel +358 3 883 020 | VAT-number FI01494751 | teknoware.com | emexit@teknoware.com

STAMINA ZONE EMERGENCY LIGHT TWS5292WA



Self-contained ESCAP emergency light with 1 h Super Capacitor and Wireless Central Monitoring

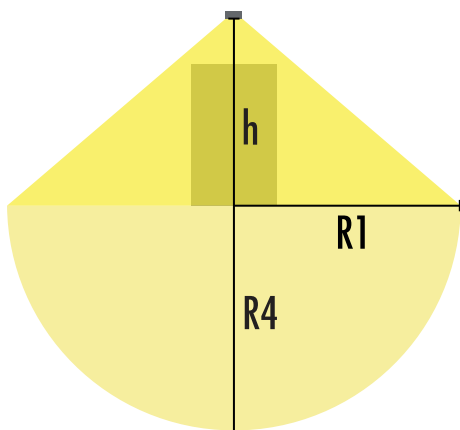
The Stamina Zone TWS5292WA is designed to meet the highest demands in challenging environments.

The luminaire has an impact resistant IK10 metal body and it is dust- and waterproof (IP65). The Escap super capacitor enables the luminaire to function even in freezing temperatures down to -25°C (-13°F). The Stamina can be used as a 300 lumen general light when connected to mains and it has several mounting options. This model is equipped with a wireless Aalto monitoring and Lumi Test self-testing.

Product Code	TWS5292WA
Feature	Aalto Control, Escap, Lumi Test
Mounting (standard)	wall, ceiling
Customs Code	94056080
GTIN Code	6438045023793
ETIM Product Class	EC001957
Length	265 mm
Width	100 mm
Height	87 mm
Weight	1.4 kg
Backup	1 h
Max Input Power VA	11 VA / 3 VA
Nominal Supply Voltage	220-240 V, 50/60 Hz AC
Protection Class	I
IP Class	IP65
IK Class	IK10
Temperature Range Min - Max	-25...+35 °C
Glow Wire Test of Plastic Materials	850 °C
Light Source	LED
Body Material	cast aluminium
Colour	RAL9007
Electrical Installation	3/4 x 2,5 mm ²
Luminous Flux	32 lm

Wall mounting

Tables of 1 lux and 0,5 lux, under the Emergency Light.
Level of measurement 0,02 m, measurement result with battery operation.



R1 distance from wall (X axis)
R4 distance from wall (Y axis)

TWS5292WA

Mounting height (m)	Below the light lux	R1 (m)	R4 (m)	R1 (m)	R4 (m)
		1 lux	1 lux	0,5 lux	0,5 lux
2	14	1.2	2.3	1.5	2.7
2,5	9	1.4	3	1.6	3.2
3	6	1.5	3.1	1.8	3.5

ONE OR MORE OF THESE IS ALSO REQUIRED:

OPTIONAL MOUNTING ACCESSORIES FOR EMERGENCY LIGHTS



Product Code	Product Name	Compatible Product Groups
XWT5210	Stamina wall bracket XWT5210	Stamina: Zone, Stamina: Zone Highoutput, Stamina: Line Lowbay, Stamina: Line Midbay
XWT5211	Stamina ceiling bracket XWT5211	Stamina: Zone, Stamina: Zone Highoutput, Stamina: Line Lowbay, Easy: Combo Emergency / Exit Light

OPTIONAL ACCESSORIES:

OPTIONAL MOUNTING ACCESSORIES FOR EMERGENCY LIGHTS



Product Code	Product Name	Compatible Product Groups
XWT5213	Stamina recess mounting frame XWT5213	Stamina: Zone, Stamina: Zone Highoutput, Stamina: Line Lowbay, Stamina: Line Midbay

We reserve the rights to make modifications without notice.

Copyright © 2021 Teknoware. All rights reserved.

Date: January 05, 2021 | Source:

www.teknoware.com/en/emergency-lighting/stamina-zone-emergency-light-tws5292wa

Teknoware Oy | P.O. Box 19, 15101 Lahti | Ilmarisentie 8, 15200 Lahti Finland

Tel +358 3 883 020 | VAT-number FI01494751 | teknoware.com | emexit@teknoware.com

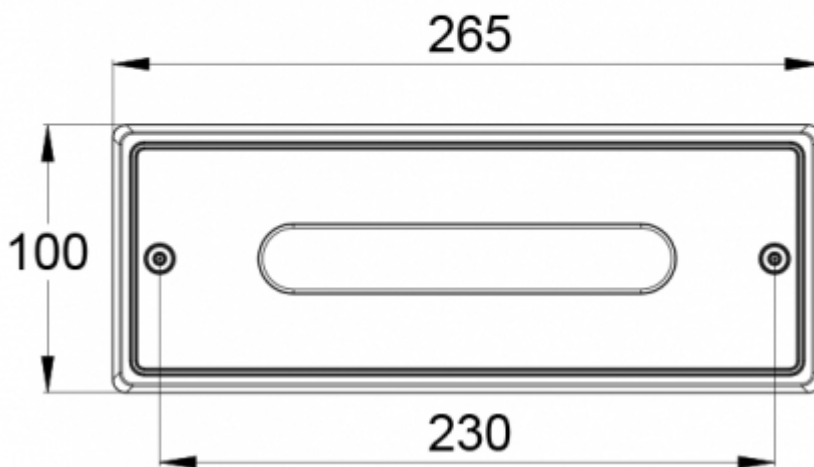
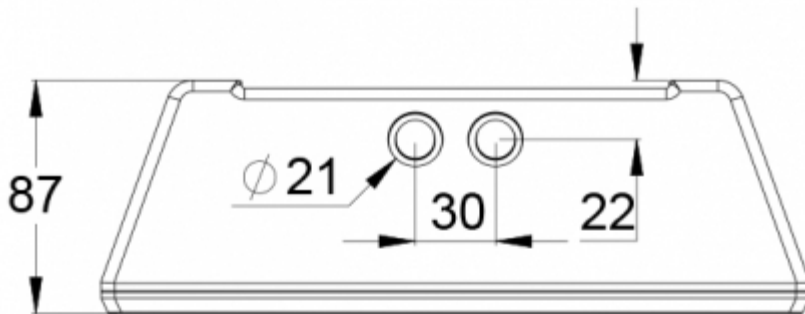
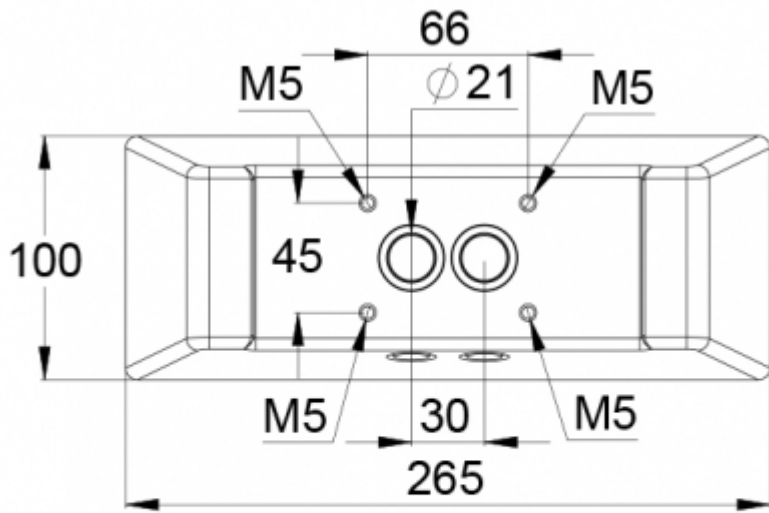




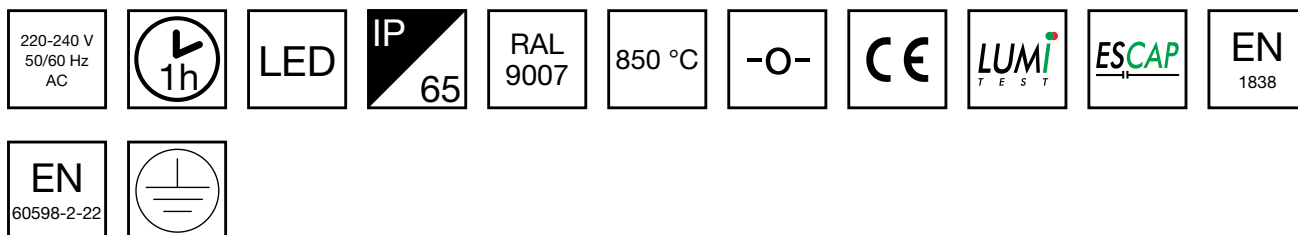
We reserve the rights to make modifications without notice.
Copyright © 2021 Teknoware. All rights reserved.
Date: January 05, 2021 | Source:
www.teknoware.com/en/emergency-lighting/stamina-zone-emergency-light-tws5292wa

Teknoware Oy | P.O. Box 19, 15101 Lahti | Ilmarisentie 8, 15200 Lahti Finland
Tel +358 3 883 020 | VAT-number FI01494751 | teknoware.com | emexit@teknoware.com





STAMINA ZONE EMERGENCY LIGHT TWS5292WM



Self-contained ESCAP emergency light with 1 h Super Capacitor and Lumi Test Self-testing

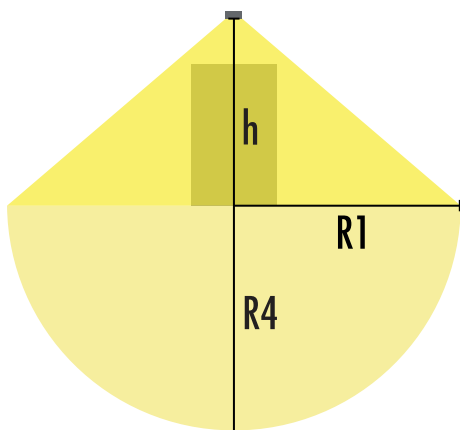
The Stamina Zone TWS5292WM is designed to meet the highest demands in challenging environments.

The luminaire has an impact resistant IK10 metal body and it is dust- and waterproof (IP65). The Escap super capacitor enables the luminaire to function even in freezing temperatures down to -25°C (-13°F). The Stamina can be used as a 300 lumen general light when connected to mains and it has several mounting options. This model is equipped with a Lumi Test self-testing and it is designed to illuminate open areas.

Product Code	TWS5292WM
Feature	Escap, Lumi Test
Mounting (standard)	wall, ceiling
Customs Code	94056080
GTIN Code	6438045024523
ETIM Product Class	EC001957
Length	265 mm
Width	100 mm
Height	87 mm
Weight	1.4 kg
Backup	1 h
Max Input Power VA	11 VA / 3 VA
Nominal Supply Voltage	220-240 V, 50/60 Hz AC
Protection Class	I
IP Class	IP65
IK Class	IK10
Temperature Range Min - Max	-25...+35 °C
Glow Wire Test of Plastic Materials	850 °C
Light Source	LED
Body Material	cast aluminium
Colour	RAL9007
Electrical Installation	3/4 x 2,5 mm ²
Luminous Flux	32 lm

Wall mounting

Tables of 1 lux and 0,5 lux, under the Emergency Light.
Level of measurement 0,02 m, measurement result with battery operation.



R1 distance from wall (X axis)
R4 distance from wall (Y axis)

TWS5292WM

Mounting height (m)	Below the light lux	R1 (m)	R4 (m)	R1 (m)	R4 (m)
		1 lux	1 lux	0,5 lux	0,5 lux
2	14	1.2	2.3	1.5	2.7
2,5	9	1.4	3	1.6	3.2
3	6	1.5	3.1	1.8	3.5

ONE OR MORE OF THESE IS ALSO REQUIRED:

OPTIONAL MOUNTING ACCESSORIES FOR EMERGENCY LIGHTS



Product Code	Product Name	Compatible Product Groups
XWT5210	Stamina wall bracket XWT5210	Stamina: Zone, Stamina: Zone Highoutput, Stamina: Line Lowbay, Stamina: Line Midbay
XWT5211	Stamina ceiling bracket XWT5211	Stamina: Zone, Stamina: Zone Highoutput, Stamina: Line Lowbay, Easy: Combo Emergency / Exit Light

OPTIONAL ACCESSORIES:

OPTIONAL MOUNTING ACCESSORIES FOR EMERGENCY LIGHTS



Product Code	Product Name	Compatible Product Groups
XWT5213	Stamina recess mounting frame XWT5213	Stamina: Zone, Stamina: Zone Highoutput, Stamina: Line Lowbay, Stamina: Line Midbay

We reserve the rights to make modifications without notice.

Copyright © 2021 Teknoware. All rights reserved.

Date: January 05, 2021 | Source:

www.teknoware.com/en/emergency-lighting/stamina-zone-emergency-light-tws5292wm

Teknoware Oy | P.O. Box 19, 15101 Lahti | Ilmarisentie 8, 15200 Lahti Finland

Tel +358 3 883 020 | VAT-number FI01494751 | teknoware.com | emexit@teknoware.com

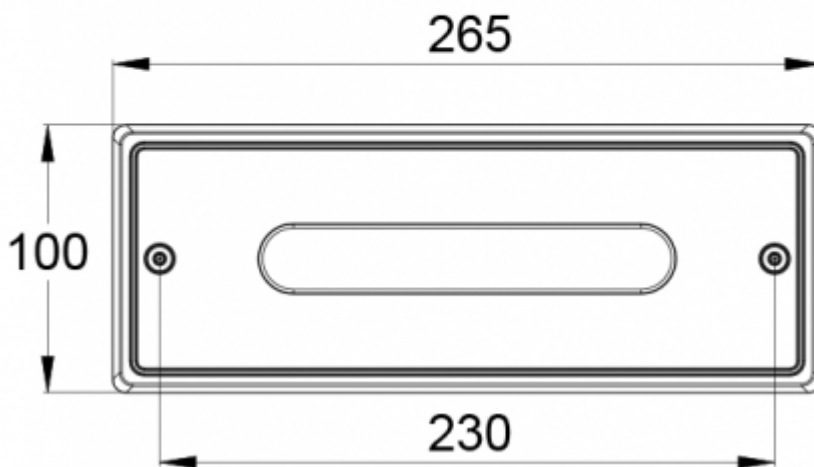
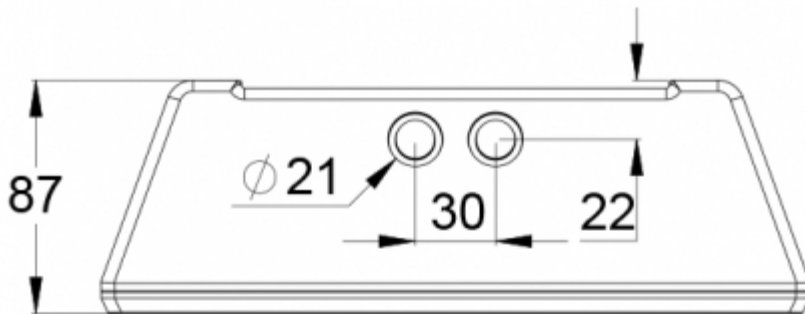
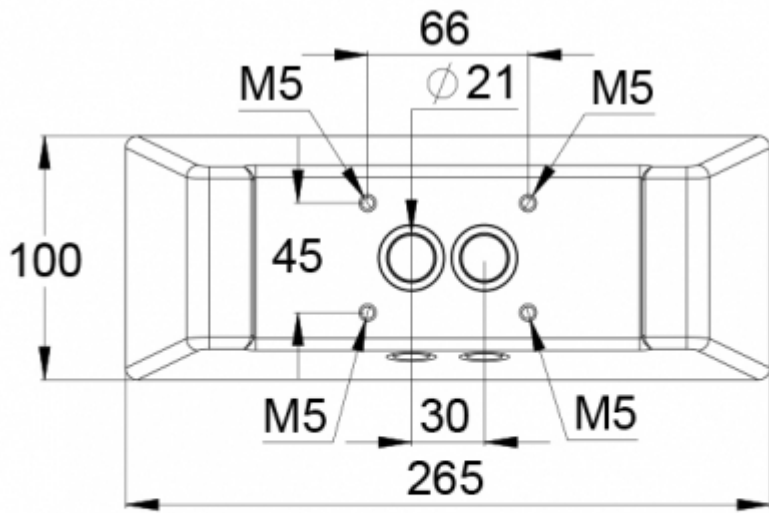




We reserve the rights to make modifications without notice.
Copyright © 2021 Teknoware. All rights reserved.
Date: January 05, 2021 | Source:
www.teknoware.com/en/emergency-lighting/stamina-zone-emergency-light-tws5292wm

Teknoware Oy | P.O. Box 19, 15101 Lahti | Ilmarisentie 8, 15200 Lahti Finland
Tel +358 3 883 020 | VAT-number FI01494751 | teknoware.com | emexit@teknoware.com



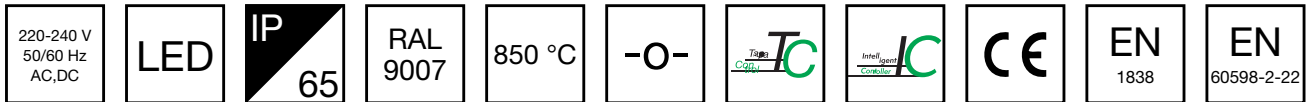


We reserve the rights to make modifications without notice.
 Copyright © 2021 Teknoware. All rights reserved.
 Date: January 05, 2021 | Source:
www.teknoware.com/en/emergency-lighting/stamina-zone-emergency-light-tws5292wm

Teknoware Oy | P.O. Box 19, 15101 Lahti | Ilmarisentie 8, 15200 Lahti Finland
 Tel +358 3 883 020 | VAT-number FI01494751 | teknoware.com | emexit@teknoware.com



STAMINA ZONE EMERGENCY LIGHT TWT5251WK



Addressable 230 V centrally supplied LED emergency light

The Stamina Zone TWT5251WK is designed to meet the highest demands in challenging environments.

The luminaire has an impact resistant IK10 metal body and it is dust- and waterproof (IP65). This model can be used in freezing temperatures up to -30°C. The Stamina has several mounting options. This model is a 230 V central battery system luminaire and it's designed to illuminate open areas.

Product Code	TWT5251WK
Feature	Intelligent Controller, Tapsa Control
Mounting (standard)	wall, ceiling
Customs Code	94056080
GTIN Code	6438045024530
ETIM Product Class	EC001957
Length	265 mm
Width	100 mm
Height	87 mm
Weight	1.2 kg
Max Input Power VA	14 VA
Max Input Power W	8,5 W
Nominal Supply Voltage	220-240 V, 50/60 Hz AC,DC
Protection Class	I
IP Class	IP65
IK Class	IK10
Temperature Range Min - Max	-30...+50 °C
Glow Wire Test of Plastic Materials	850 °C
Light Source	LED
Body Material	cast aluminium
Colour	RAL9007
Electrical Installation	3 x 2,5 mm ²
Luminous Flux	380 lm

Emergency lighting for open areas (ceiling mounting)

Table of 0,5 lux for open areas according to the norm EN 1838, 0,5 m edge district is considered in the table.

Level of measurement 0,02 m, measurement result with battery operation.

We reserve the rights to make modifications without notice.

Copyright © 2021 Teknoware. All rights reserved.

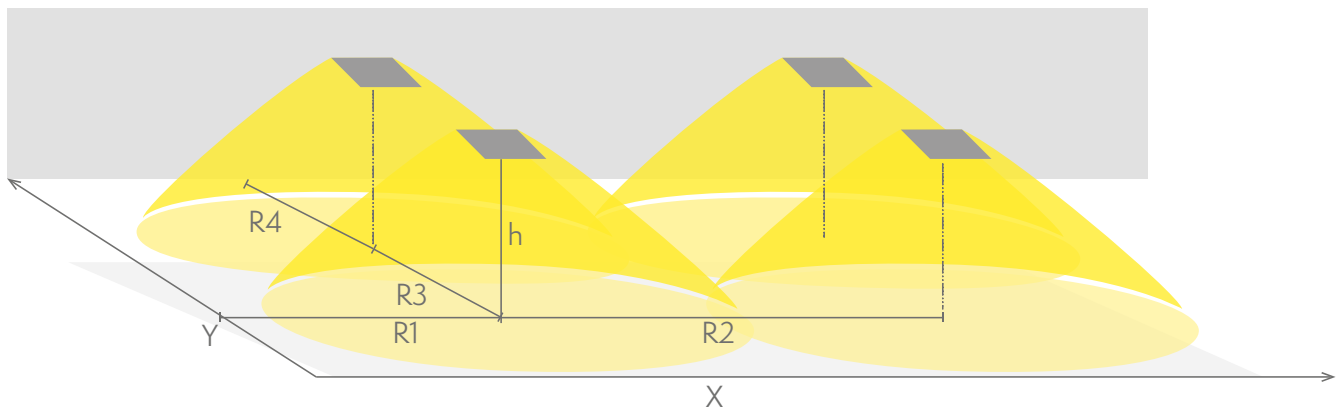
Date: January 05, 2021 | Source:

www.teknoware.com/en/emergency-lighting/stamina-zone-emergency-light-twt5251wk



Teknoware Oy | P.O. Box 19, 15101 Lahti | Ilmarisentie 8, 15200 Lahti Finland

Tel +358 3 883 020 | VAT-number FI01494751 | teknoware.com | emexit@teknoware.com



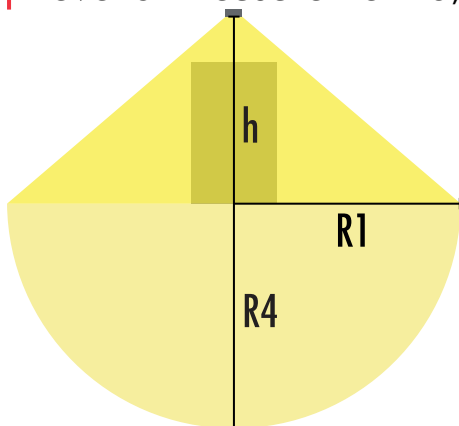
- R1 distance from wall (X axis)
- R2 installation distance between lights (X axis)
- R3 installation distance between lights (Y axis)
- R4 distance from wall (Y axis)

TWT5251WK

Mounting height (m)	Below the light lux	R1 (m)	R2 (m)	R3 (m)	R4 (m)
		0,5 lux	0,5 lux	0,5 lux	0,5 lux
4	31	3.5	7.5	7.5	3.5
6	14	4.5	9.5	9.5	4.5
8	7	5	10.5	10.5	5
10	5	5.5	12	12	5.5
12	3.5	6	13	13	6
14	2.5	6	13	13	6
16	2	6	13	13	6

Wall mounting

- Tables of 1 lux and 0,5 lux, under the Emergency Light.
- Level of measurement 0,02 m, measurement result with battery operation.



- R1 distance from wall (X axis)
- R4 distance from wall (Y axis)

TWT5251WK

Mounting height (m)	Below the light lux	R1 (m)	R4 (m)	R1 (m)	R4 (m)
		1 lux	1 lux	0,5 lux	0,5 lux
2,5	80	2.5	4	3	5
3	56	2.8	4.3	3.3	5.3
4	31	3.4	4.8	3.9	6
6	12	4.3	5.5	5	7

ONE OR MORE OF THESE IS ALSO REQUIRED:

OPTIONAL MOUNTING ACCESSORIES FOR EMERGENCY LIGHTS



Product Code	Product Name	Compatible Product Groups
XWT5210	Stamina wall bracket XWT5210	Stamina: Zone, Stamina: Zone Highoutput, Stamina: Line Lowbay, Stamina: Line Midbay
XWT5211	Stamina ceiling bracket XWT5211	Stamina: Zone, Stamina: Zone Highoutput, Stamina: Line Lowbay, Easy: Combo Emergency / Exit Light

OPTIONAL ACCESSORIES:

OPTIONAL MOUNTING ACCESSORIES FOR EMERGENCY LIGHTS



Product Code	Product Name	Compatible Product Groups
XWT5213	Stamina recess mounting frame XWT5213	Stamina: Zone, Stamina: Zone Highoutput, Stamina: Line Lowbay, Stamina: Line Midbay

We reserve the rights to make modifications without notice.

Copyright © 2021 Teknoware. All rights reserved.

Date: January 05, 2021 | Source:

www.teknoware.com/en/emergency-lighting/stamina-zone-emergency-light-twt5251wk

Teknoware Oy | P.O. Box 19, 15101 Lahti | Ilmarisentie 8, 15200 Lahti Finland

Tel +358 3 883 020 | VAT-number FI01494751 | teknoware.com | emexit@teknoware.com





We reserve the rights to make modifications without notice.
Copyright © 2021 Teknoware. All rights reserved.
Date: January 05, 2021 | Source:
www.teknoware.com/en/emergency-lighting/stamina-zone-emergency-light-twt5251wk

Teknoware Oy | P.O. Box 19, 15101 Lahti | Ilmarisentie 8, 15200 Lahti Finland
Tel +358 3 883 020 | VAT-number FI01494751 | teknoware.com | emexit@teknoware.com



