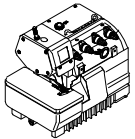

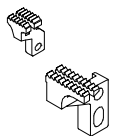



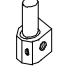



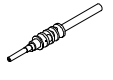
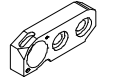

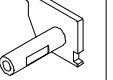

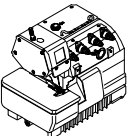

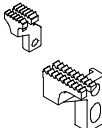



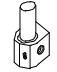

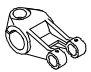


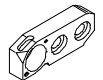

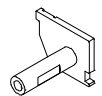

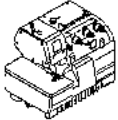

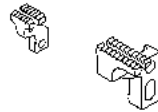
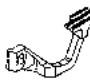
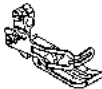





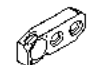

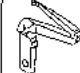



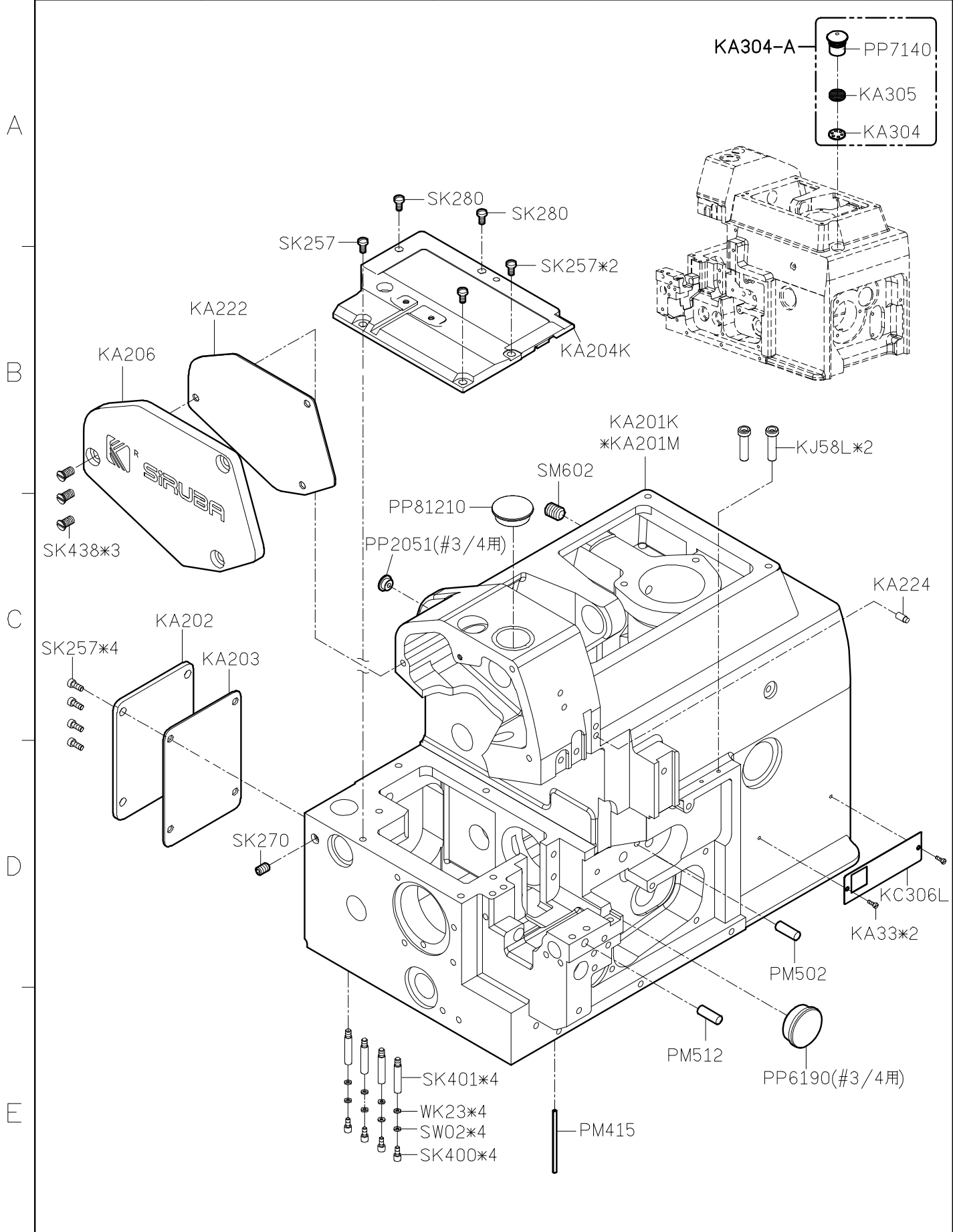
SIRUBA GAGE PARTS LIST		Series					Remark								Page	Date
		700K													1 / 3	2020/07/22
																
機 型 MODEL		針板 NEEDLE PLATE	送 具 FEED DOG	送 具 FEED DOG	押 具 PRESSER FOOT	勾 針 LOOPER	針留 NEEDLE CLAMP	束 子 COLLER	衝 程 CRANK	衝 程 CRANK	大 心 Crankshaft	勾針連桿座 Upper Looper Holder	過線器 Bracket	下刀架 Lower Knife Holder	針 號 NEEDLE	
737K	503M2-04	E268	D210K	D207	H204K	P201-14A	LP231	KG231K-E	KJ247	KF203-E	KJ206-E	KD201K	KJ236K	KJ219	KR209	DCX27#11
	504F1-04	E250	D201K	D207	H201K	P201-14A	LP225	KG231K-E	KJ247	KF203-E	KJ206-E	KD201K	KJ236K	KJ219	KR209	DCX27#9
	504F1-15	E275	D201K	D217	H201K	P214P-A	LP225	KG231K-E	KJ247	KF203-E	KJ206-E	KD201K	KJ236K	KJ219	KR209	DCX27#9
	504F2-02/GAL	E233K	D201K	D217	H201K	P214P-2A	LP225	KG231K-E	KJ247	KF203-E	KJ206-E	KD201K	KJ236K	KJ219	KR209	DCX27#9
	504M1-15	E207K	D201K	D209	H201K	P211-A	LP225	KG231K-E	KJ247	KF203-E	KJ206-E	KD201K	KJ236K	KJ219	KR209	DCX27#9
	504M2-04	E268	D210K	D207	H204K	P201-14A	LP225	KG231K-E	KJ247	KF203-E	KJ206-E	KD201K	KJ236K	KJ219	KR209	DCX27#11
	504M2-04/LFC-3	E268	D210K	D207	H204K	P216-3	LP225	KG231K-E	KJ247	KF203-E	KJ206-E	KD201K	KJ236K	KJ219	KR209	DCX27#11
	504M2-04/TR	E268	D210K	D207	H204K	P216-3	LP225	KG231K-E	KJ247	KF203-E	KJ206-E	KD201K	KJ236K	KJ219	KR209	DCX27#11
	504M2-04/ECA-U	E222U	D210K	D207	H204K	P201-14A1	LP225	KG231K-E	KJ247	KF203-E	KJ206-E	KD201K	KJ236K	KJ219	KR209	DCX27#11
	504M2-04/ECB-U	E222U	D210K	D207	H204K	P201-14A1	LP225	KG231K-E	KJ247	KF203-E	KJ206-E	KD201K	KJ236K	KJ219	KR209	DCX27#11
	504M2-04/VTE-U	E222U	D210K	D207	H204K	P201-14A1	LP225	KG231K-E	KJ247	KF203-E	KJ206-E	KD201K	KJ236K	KJ219	KR209	DCX27#11
	WR/LFC-3	E246					LP225	KG231K-E	KJ247	KF203-E	KJ206-E	KD201K	KJ236K	KJ219		DCX27#11
	504M3-04	E220	D210K	D209	H204K	P201-14A	LP225	KG231K-E	KJ247	KF203-E	KJ206-E	KD201K	KJ236K	KJ219	KR209	DCX27#11
	504M3-05	E221	D210K	D209	H204K	P201-14A	LP225	KG231K-E	KJ247	KF203-E	KJ206-E	KD201K	KJ236K	KJ219	KR209	DCX27#11
	504M3-05/PZ	E221	D210K	D209	H204K	P257-A	LP225	KG231K-E	KJ247	KF203-E	KJ206-E	KD201K	KJ236K	KJ219	KR209	DCX27#18
	504M5-04/BK	E232	D203K	D207	H203K	P202-2A	LP225	KG231K-E	KJ247	KF203-E	KJ206-E	KD201K	KJ236K	KJ219	KR209	DCX27#11
	504M5-04/BK-1	E232	D203K	D207	H203K	P202-2A	LP225	KG231K-E	KJ247	KF203-E	KJ206-E	KD201K	KJ236K	KJ219	BK239	DCX27#11
505F1-04	E250	D201K	D207	H201K	P203-A	LP225	KG231K-E	KJ247	KF203-E	KJ206-E	KD201K	KJ236K	KJ219	KR209	DCX27#9	
747K	512M1-25	E208	D210K	D207	H204K	P201-A	LP228	KG242K-E	KJ247	KF215-E	KJ203-E	KD201K	KJ208K	KJ219	KR209	DCX27#11*2
	512M1-34	E236	D210K	D207	H204K	P214-A	LP228	KG254K-E	KJ247	KF215-E	KJ203-E	KD201K	KJ208K	KJ219	KR209	DCX27#14*2
	514F1-24	E212K	D210K	D207	H204K	P201-A	LP226	KG242K-E	KJ246	KF203-E	KJ203-E	KD201K	KJ208K	KJ219	KR209	DCX27#11*2
	514H4-24/GA	E252	D202K	D207	H202K	P204-A	LP226	KG242K-E	KJ246	KF203-E	KJ203-E	KD201K	KJ208K	KJ219	KR209	DCX27#11*2
	514H4-24GA/P	E252	D202K	D207	H202K	P204P-A	LP226	KG242K-E	KJ246	KF203-E	KJ203-E	KD201K	KJ208K	KJ219	KR209	DCX27#11*2
	514M2-24	E252	D210K	D207	H204K	P201-A	LP226	KG242K-E	KJ246	KF203-E	KJ203-E	KD201K	KJ208K	KJ219	KR209	DCX27#11*2
	514M2-24/TG	E252	D210K	D207	H204K	P254J-4A	LP226	KG242K-E	KJ246	KF203-E	KJ203-E	KD201K	KJ208K	KJ219	KR209	DCX27#11*2
	514M2-24/LFC-3	E252	D210K	D207	H204K	P216-4	LP226	KG242K-E	KJ246	KF203-E	KJ203-E	KD201K	KJ208K	KJ219	KR209	DCX27#11*2
	514M2-24/ECA-U	E229U	D210K	D207	H204K	P201U-A1	LP226	KG242K-E	KJ246	KF203-E	KJ203-E	KD201K	KJ208K	KJ219	KR209	DCX27#11*2
	514M2-24/VTE-U	E229U	D210K	D207	H204K	P201U-A1	LP226	KG242K-E	KJ246	KF203-E	KJ203-E	KD201K	KJ208K	KJ219	KR209	DCX27#11*2
	514M2-25	E276	D210K	D207	H204K	P201-A	LP226	KG242K-E	KJ246	KF203-E	KJ203-E	KD201K	KJ208K	KJ219	KR209	DCX27#11*2
	514M2-25/TG	E276	D210K	D207	H204K	P254J-4A	LP226	KG242K-E	KJ246	KF203-E	KJ203-E	KD201K	KJ208K	KJ219	KR209	DCX27#11*2

SIRUBA GAGE PARTS LIST		Series					Remark										Page	Date
		700K															2 / 3	2020/07/22
機 型 MODEL		針板 NEEDLE PLATE	送具 FEED DOG	送具 FEED DOG	押具 PRESSER FOOT	勾 針 LOOPER	針留 NEEDLE CLAMP	束 子 COLLER	衝 程 CRANK	衝 程 CRANK	大 心 Crankshaft	勾針連桿座 Upper Looper	過線器 Bracket	下刀架 Lower Knife	針 號 NEEDLE			
747K	514M2-25/LFC-3	E276	D210K	D207	H204K	P216-4	LP226	KG242K-E	KJ246	KF203-E	KJ203-E	KD201K	KJ208K	KJ219	KR209	DCX27#11*2		
	514M2-28	E239	D210K	D207	H204K	P201-8A	LP227A	KG242K-E	KJ248	KF203-E	KJ203-E	KD201KA	KJ228K	KJ238	KR209	DCX27#11*2		
	514M2-28/ECB-U	E239U	D210K	D207	H204K	P201-8A1	LP227A	KG242K-E	KJ248	KF203-E	KJ203-E	KD201KA	KJ228K	KJ238	KR209	DCX27#11*2		
	514M4-23	E249	D210K	D209	H204K	P201-2A	LP226	KG242K-E	KJ246	KF203-E	KJ203-E	KD201K	KJ208K	KJ219	KR209	DCX27#11*2		
	514M5-23/BK	E210	D203K	D207	H203K	P202-A	LP226	KG242K-E	KJ246	KF203-E	KJ203-E	KD201K	KJ208K	KJ219	KR209	DCX27#11*2		
	514M5-23/BK-1	E210	D203K	D207	H203K	P202-A	LP226	KG242K-E	KJ246	KF203-E	KJ203-E	KD201K	KJ208K	KJ219	BK239	DCX27#11*2		
	514M5-24/BK	E247	D203K	D207	H203K	P202-A	LP226	KG242K-E	KJ246	KF203-E	KJ203-E	KD201K	KJ208K	KJ219	KR209	DCX27#11*2		
	514M5-24/BK-1	E247	D203K	D207	H203K	P202-A	LP226	KG242K-E	KJ246	KF203-E	KJ203-E	KD201K	KJ208K	KJ219	BK239	DCX27#11*2		
	514M7-24	E226	D212	D207	H210	P201-A	LP230	KG242K-E	KJ248	KF203-E	KJ203-E	KD201KA	KJ228K	KJ238	KR209	DCX27#16*2		
	514M7-24/BK	E247	D203K	D207	H203K	P202-A	LP230	KG242K-E	KJ248	KF203-E	KJ203-E	KD201KA	KJ228K	KJ238	KR209	DCX27#16*2		
	514M7-24/BK-1	E247	D203K	D207	H203K	P202-A	LP230	KG242K-E	KJ248	KF203-E	KJ203-E	KD201KA	KJ228K	KJ238	BK239	DCX27#16*2		
	514M7-24/TG	E226	D212	D207	H210	P254J-4A	LP230	KG242K-E	KJ248	KF203-E	KJ203-E	KD201KA	KJ228K	KJ238	KR209	DCX27#16*2		
	514M7-25	E225	D212	D207	H210	P201-A	LP230	KG242K-E	KJ248	KF203-E	KJ203-E	KD201KA	KJ228K	KJ238	KR209	DCX27#16*2		
	514M7-25/BK	E248	D203K	D207	H203K	P202-A	LP230	KG242K-E	KJ248	KF203-E	KJ203-E	KD201KA	KJ228K	KJ238	KR209	DCX27#16*2		
	514M7-25/BK-1	E248	D203K	D207	H203K	P202-A	LP230	KG242K-E	KJ248	KF203-E	KJ203-E	KD201KA	KJ228K	KJ238	BK239	DCX27#16*2		
514M7-25/TG	E225	D212	D207	H210	P254J-4A	LP230	KG242K-E	KJ248	KF203-E	KJ203-E	KD201KA	KJ228K	KJ238	KR209	DCX27#16*2			
514M7-25/ECA-U	E225U	D212	D207	H210	P201U-A1	LP230	KG242K-E	KJ248	KF203-E	KJ203-E	KD201KA	KJ228K	KJ238	KR209	DCX27#16*2			
757K	401M1/TW	E237	D219K	H219K	P506-A		KG253K-E	KJ247	KF203-E	KJ206-E	KD201K	TW201			DCX27#14*1			
	516H4-35/GA	E213	D204K	D207	H205K	P508J-A	LP226	KG253K-E	KJ247	KF203-E	KJ206-E	KD201K	KJ236K	KJ219	KR219	DCX27#14*2		
	516H4-35GA/P	E213	D204K	D207	H205K	P508JP-A	LP226	KG253K-E	KJ247	KF203-E	KJ206-E	KD201K	KJ236K	KJ219	KR219	DCX27#14*2		
	516H4-55/GA	E214	D205K	D207	H206K	P509J-A	LP226	KG255K-E	KJ247	KF203-E	KJ206-E	KD201K	KJ236K	KJ219	KR219	DCX27#14*2		
	516H4-55/GA/P	E214	D205K	D207	H206K	P509JP-A	LP226	KG255K-E	KJ247	KF203-E	KJ206-E	KD201K	KJ236K	KJ219	KR219	DCX27#14*2		
	516L1-24	E215	D206	D207	H207	P500J-A	LP225	KG252K-E	KJ247	KF203-E	KJ206-E	KD201K	KJ236K	KJ219	KR219	DCX27#14*2		
	516L1-35	E216	D206	D207	H212	P504J-A	LP225	KG253K-E	KJ247	KF203-E	KJ206-E	KD201K	KJ236K	KJ219	KR219	DCX27#14*2		
	516M2-35	E217	D208K	D207	H208K	P504J-A	LP226	KG253K-E	KJ247	KF203-E	KJ206-E	KD201K	KJ236K	KJ219	KR219	DCX27#14*2		
	516M2-35/PS	E227	D208K	D207	H214K	P504JS-A	LP226	KG253K-E	KJ247	KF203-E	KJ206-E	KD201K	KJ236K	KJ219	KR219	DCX27#14*2		
	516M2-35/ECA-U	E217U	D208K	D207	H208K	P504J-A	LP226	KG253K-E	KJ247	KF203-E	KJ206-E	KD201K	KJ236K	KJ219	KR219	DCX27#14*2		
	516M2-35/ECB-U	E217U	D208K	D207	H208K	P504J-A	LP226	KG253K-E	KJ247	KF203-E	KJ206-E	KD201K	KJ236K	KJ219	KR219	DCX27#14*2		
	516M2-55	E254	D208K	D207	H209K	P502J-A	LP226	KG255K-E	KJ247	KF203-E	KJ206-E	KD201K	KJ236K	KJ219	KR219	DCX27#14*2		
	516M2-55/PS	E228	D208K	D207	H215K	P502JS-A	LP226	KG255K-E	KJ247	KF203-E	KJ206-E	KD201K	KJ236K	KJ219	KR219	DCX27#14*2		

SIRUBA GAGE PARTS LIST		Series							Remark						Page	Date
		700K													3 / 3	2020/07/22
																
機 型 MODEL		針板 NEEDLE PLATE	送 具 FEED DOG	送 具 FEED DOG	押 具 PRESSER FOOT	勾 針 LOOPER	針留 NEEDLE CLAMP	束 子 COLLER	衝 程 CRANK	衝 程 CRANK	大 心 Crankshaft	勾針連桿座 Upper Looper Holder	過線器 Bracket	下刀架 Lower Knife Holder	針 號 NEEDLE	
757K	516M2-55/ECA-U	E218U	D208K	D207	H215K	P502J-A	LP226	KG255K-E	KJ247	KF203-E	KJ206-E	KD201K	KJ236K	KJ219	KR219	DCX27#14*2
	516M2-55/ECB-U	E218U	D208K	D207	H215K	P502J-A	LP226	KG255K-E	KJ247	KF203-E	KJ206-E	KD201K	KJ236K	KJ219	KR219	DCX27#14*2
	516X2-56	E260	D602	D601	H220A	P962-A	LP230	KG255K-E	KJ246+KJ234	KF203-E	KJ206-E	KD201KA	KJ236K	KJ238	KR223	DCX27#18*2
	401M2-30TA	E235	D211K	D222K	H216K	P224-A		KG266-E	KJ247	KF203-E	KJ206-E	KD201K	TW201		KR219	DCX27#14*2
	401M2-50TA	E238	D211K	D222K	H216K	P223-A		KG256K-E	KJ247	KF203-E	KJ206-E	KD201K	TW201		KR219	DCX27#14*2
767K	516M2-324	E272	D208K	D207	H209K	P233J-A	LP226	KG433K-E	KJ246	KF203-E	KJ203-E	KD201K	KJ208K	KJ219	KR219	DCX27#11*3
	516M2-324/ECA-U	E219U	D208K	D207	H209K	P233J-A	LP226	KG433K-E	KJ246	KF203-E	KJ203-E	KD201K	KJ208K	KJ219	KR219	DCX27#11*3
	516M2-324/ECB-U	E219U	D208K	D207	H209K	P233J-A	LP226	KG433K-E	KJ246	KF203-E	KJ203-E	KD201K	KJ208K	KJ219	KR219	DCX27#11*3
	516M2-524	E273	D208K	D207	H209K	P255J-A	LP226	KG455K-E	KJ246	KF203-E	KJ203-E	KD201K	KJ208K	KJ219	KR219	DCX27#11*3
	516M2-524/ECB-U	E224U	D208K	D207	H209K	P255J-A	LP226	KG455K-E	KJ246	KF203-E	KJ203-E	KD201K	KJ208K	KJ219	KR219	DCX27#11*3

SIRUBA GAGE PARTS LIST		Series				Remark										Page	Date
		700K/700KT				FOR BKF										1 / 1	2017/07/24
																	
機 型 Model		針板 Needle Plate	送具 Feed Dog		送具 Feed Dog	押具 Presser Foot	上送具 TopFeed Dog	衝程 Crank	大心 Crank Shaft	針鉗 Needle Clamp	束子 Collar	勾針連接座 Upper Looper Holder	上勾針 Upper Looper	下勾針 Lower Looper	針 Needle		
737K	504M5-03/BKF	E263	D210	D217	H204	P202-5A	-	KJ206-E	KD201K	KG231K-E	KJ247	KJ236K	LP225	KL202	DCX27#11		
	504M5-04/BKF	E264	D210	D217	H204	P202-5A	-	KJ206-E	KD201K	KG231K-E	KJ247	KJ236K	LP225	KL202	DCX27#11		
	504M5-05/BKF	E265	D210	D217	H204	P202-5A	-	KJ206-E	KD201K	KG231K-E	KJ247	KJ236K	LP225	KL202	DCX27#11		
747K	514M5-23/BKF	E248K	D203	D217	H240	P202-3A	-	KJ203-E	KD201K	KG242K-E	KJ246	KJ208K	LP226	KL202	DCX27#11x2		
	514M5-24/BKF	E247K	D203	D217	H240	P202-4A	-	KJ203-E	KD201K	KG242K-E	KJ246	KJ208K	LP226	KL202	DCX27#11x2		
747KT	514H-3-23/BKF	E248K	D203	D217	H240	P606-A	D554	KJ203-E	KD201KA	KG242K-E	KJ246	KJ208K	LP227	KL202	DCX27#11x2		
	514H-3-24/BKF	E247K	D203	D217	H240	P607-A	D554	KJ203-E	KD201KA	KG242K-E	KJ246	KJ208K	LP227	KL202	DCX27#11x2		

SIRUBA PARTS LIST	Series	Parts Group	Subclass / Remark	Page
	700K/700KD 988/988D	KA	*: Use for 700KD/988D	1/1
				Date 2020/07/13



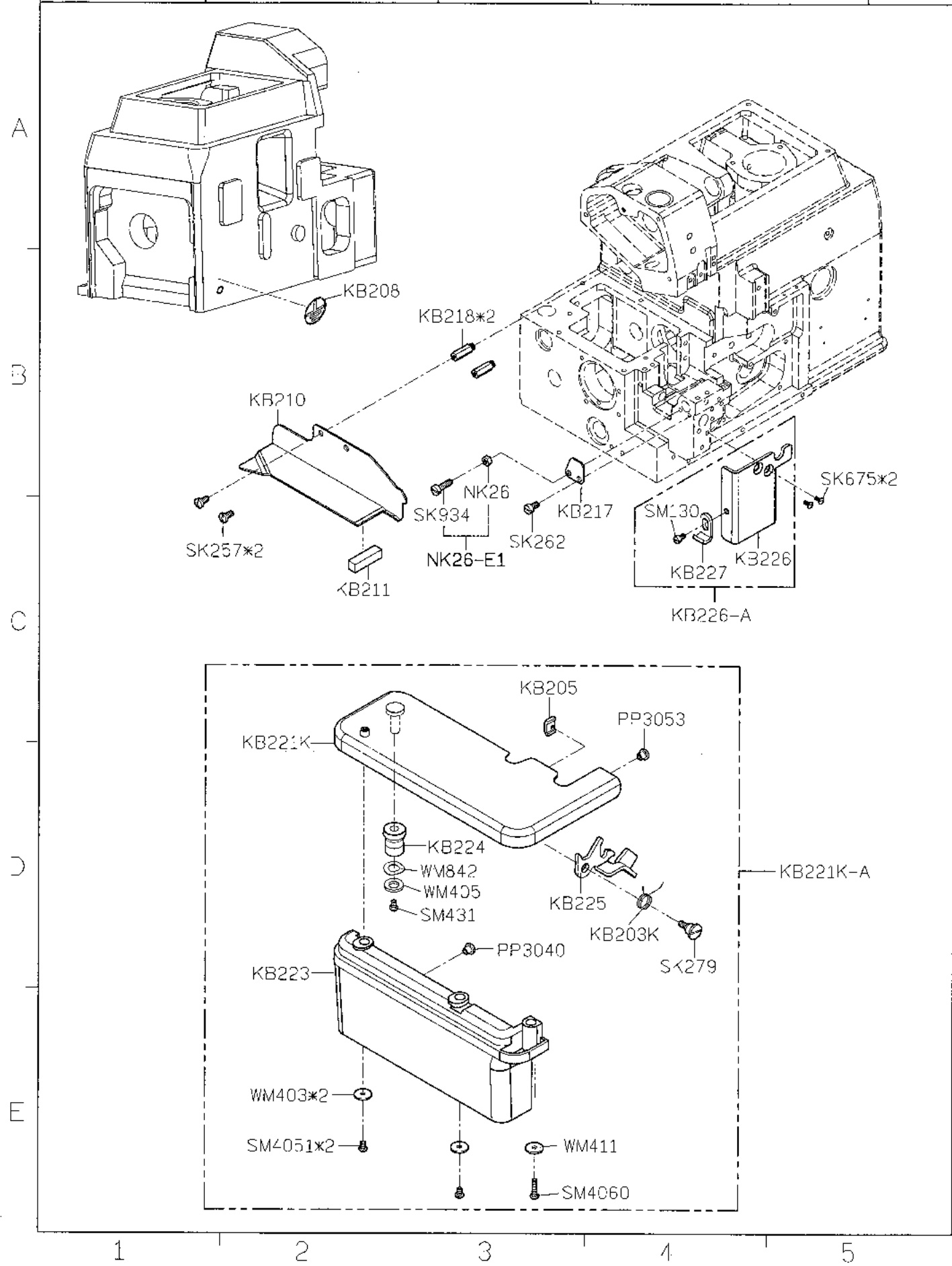
1

2

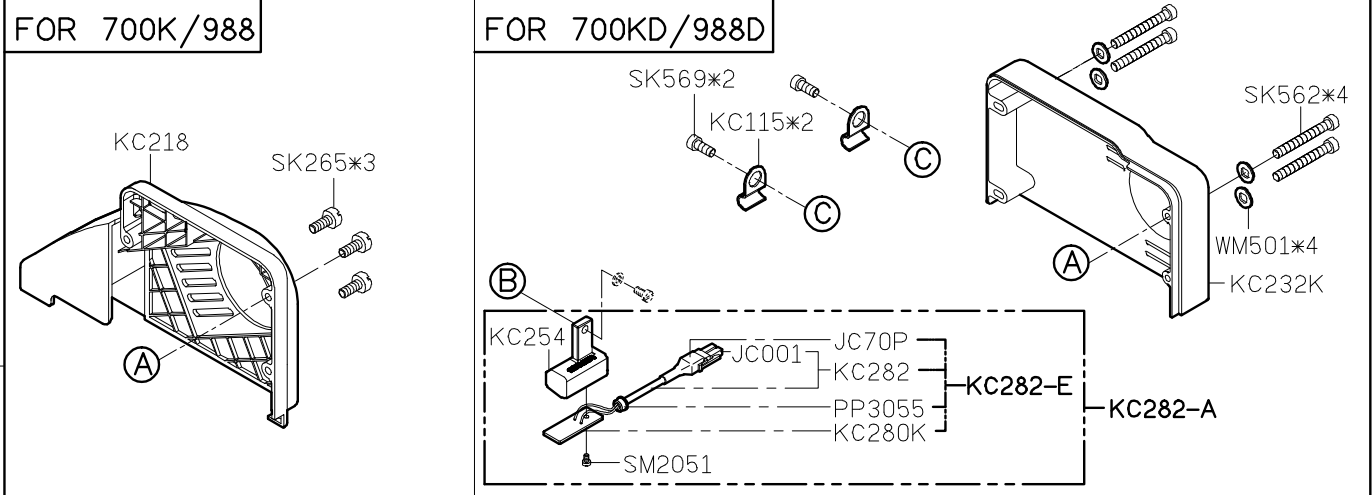
3

4

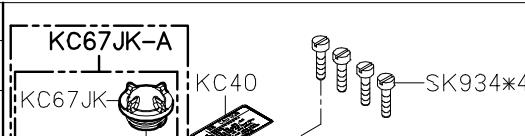
5



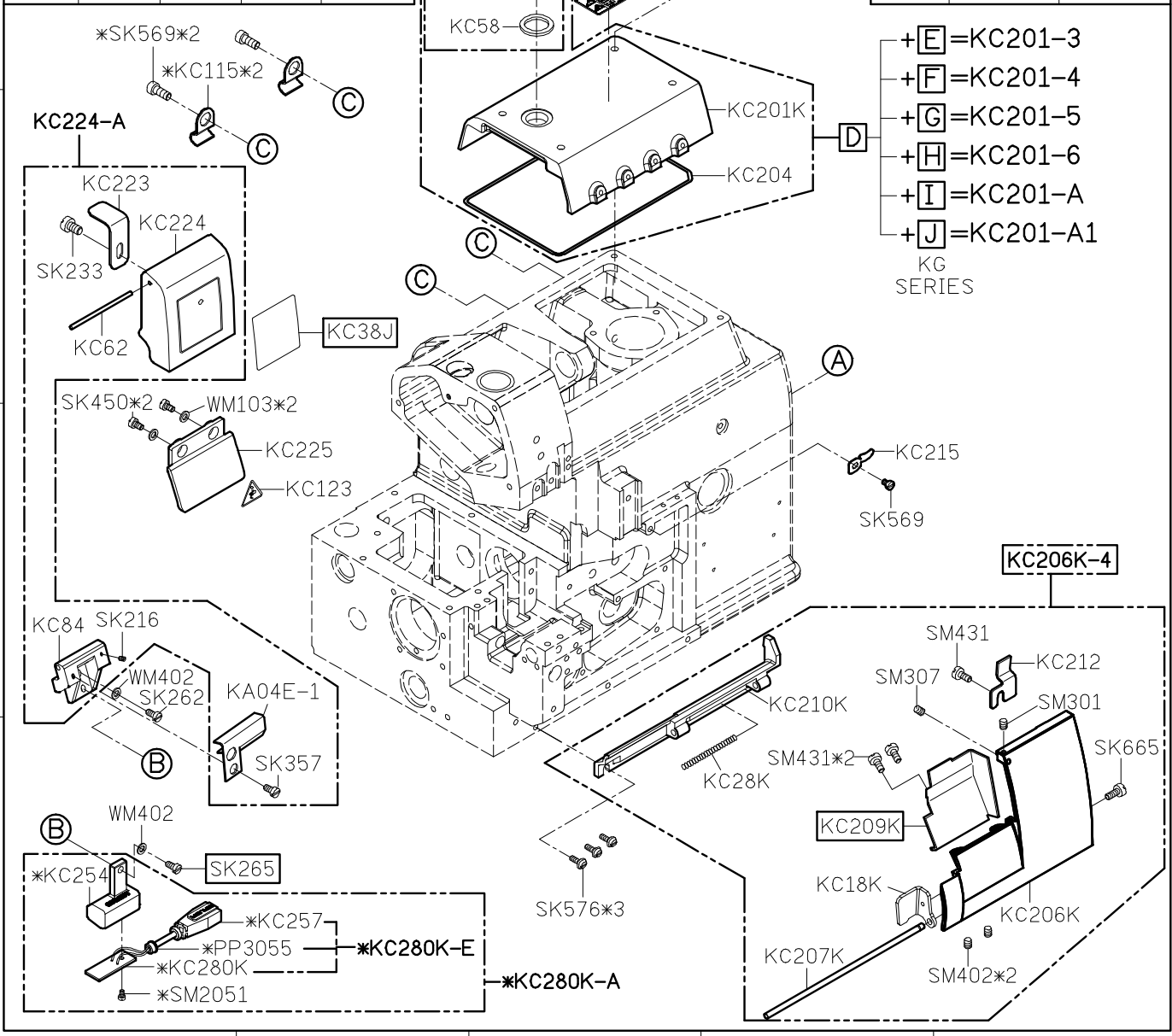
<b>SIRUBA</b> <b>PARTS LIST</b>	<b>Series</b>	<b>Parts Group</b>	<b>Subclass / Remark</b>	<b>Page</b>
	<b>700K/700KD</b>	<b>KC</b>	<b>*: Use for 988</b>	<b>1/1</b>
	<b>988/988D</b>			<b>Date</b>
				<b>2020/07/13</b>



MODEL	700K	700KD	988	988D
PARTS NO	KC38J	KC38J	KC38C	KC38DC
	SK262	SK265	SK265	SK265



MODEL	#3/#4	#5
PARTS NO	KC209K	KC219K
	KC206K-4	KC206K-5



1 2 3 4 5

SIRUBA PARTS LIST	Series		Parts Group	Subclass / Remark	Page
		700K/700KD 988/988D		<b>KD</b>	<input checked="" type="checkbox"/> FOR H MOTOR <input checked="" type="checkbox"/> FOR Y MOTOR

MODEL	#3/#4	#5/#6
PARTS NO	KD204	KD217
	SM603B	KD220
	SK241*3	SK539*2 SK872*1

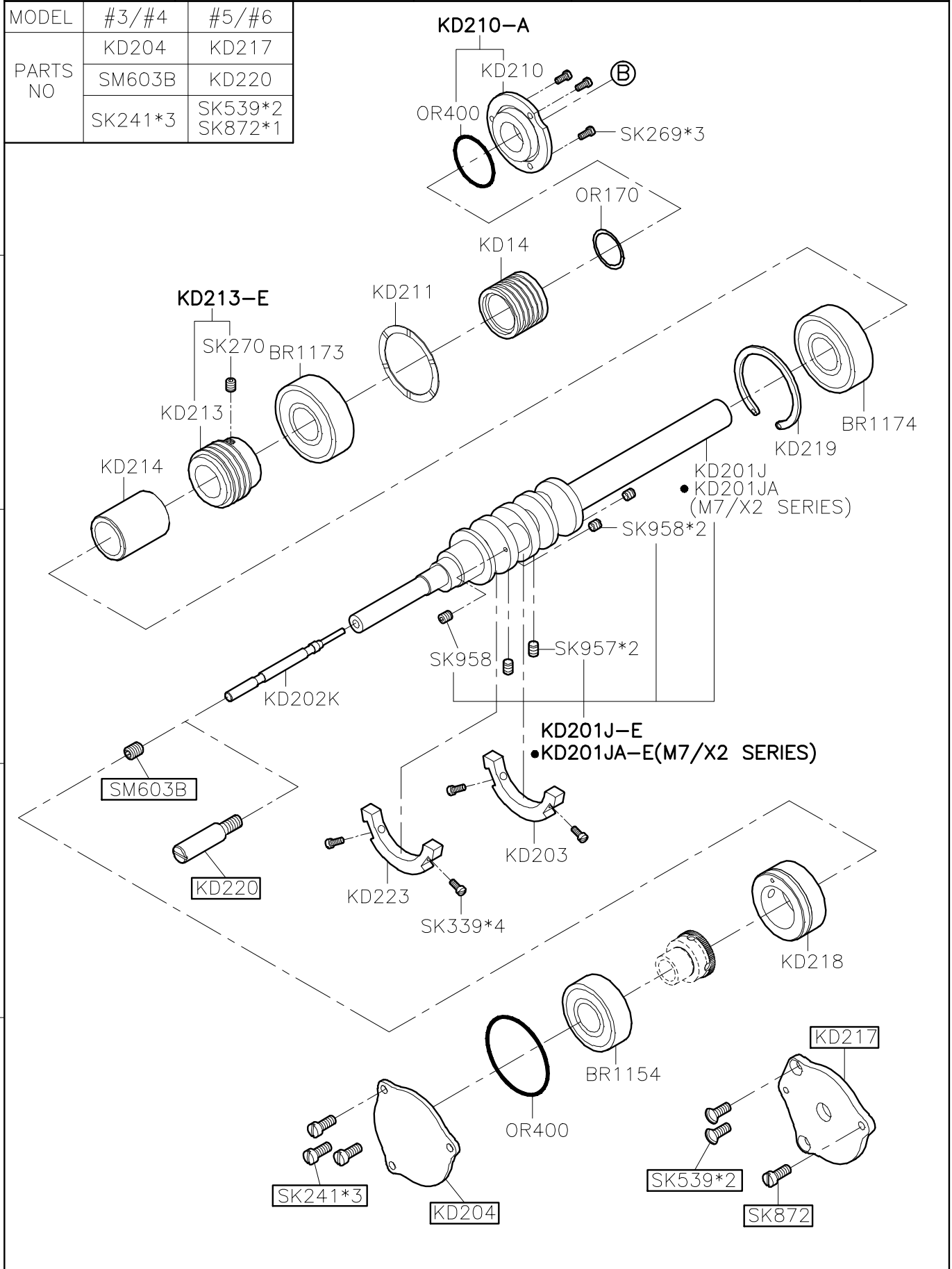
A

B

C

D

E



1

2

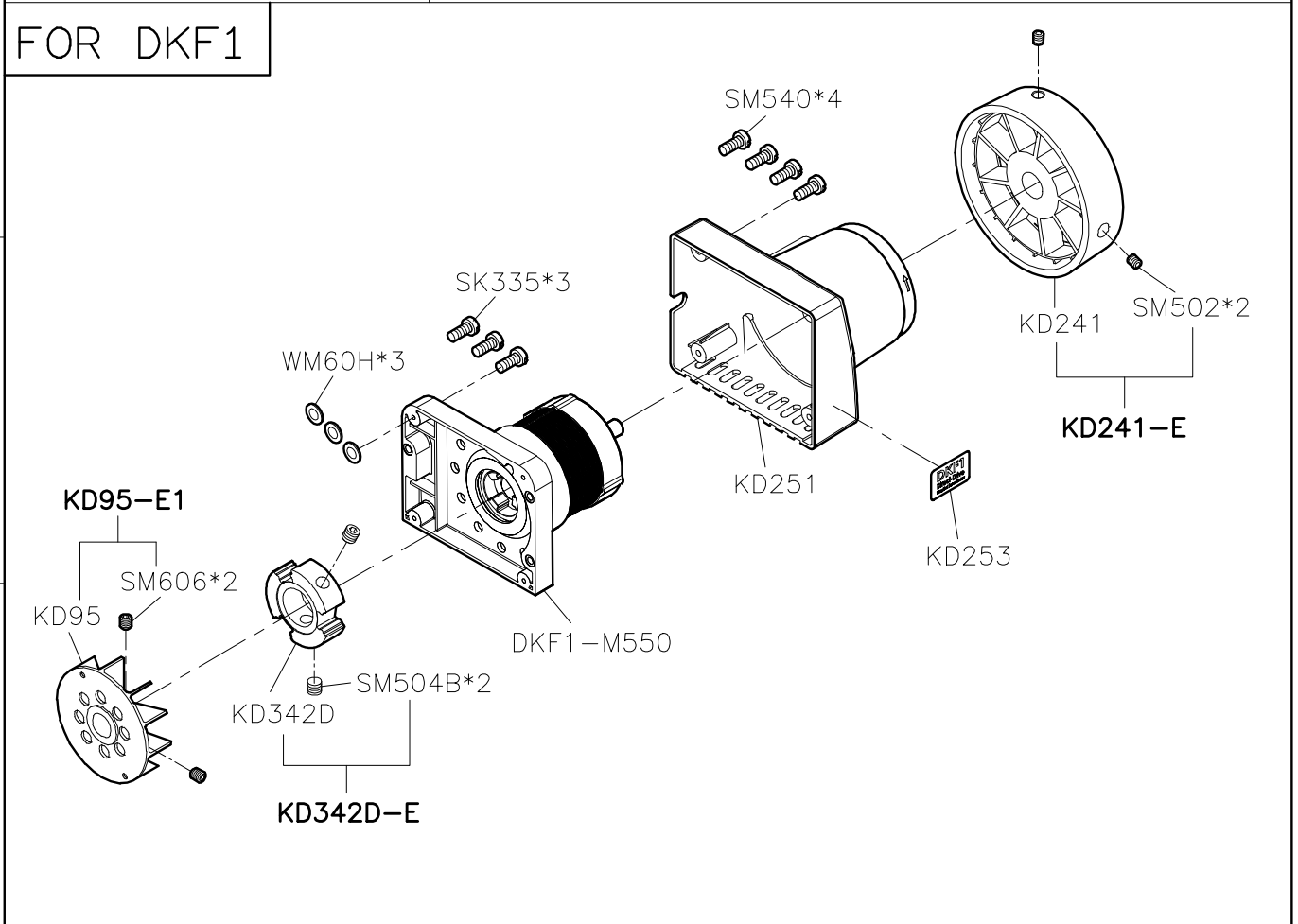
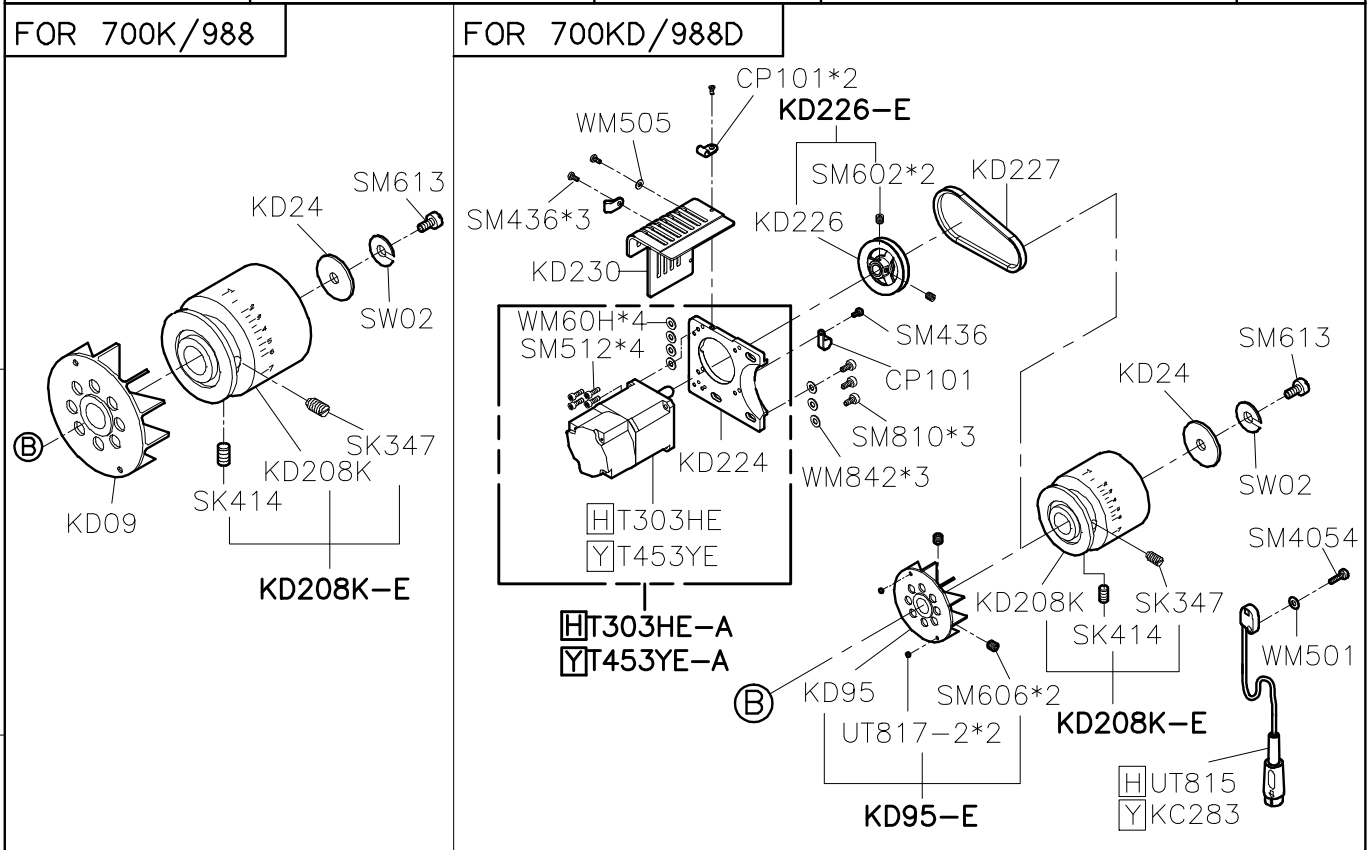
3

4

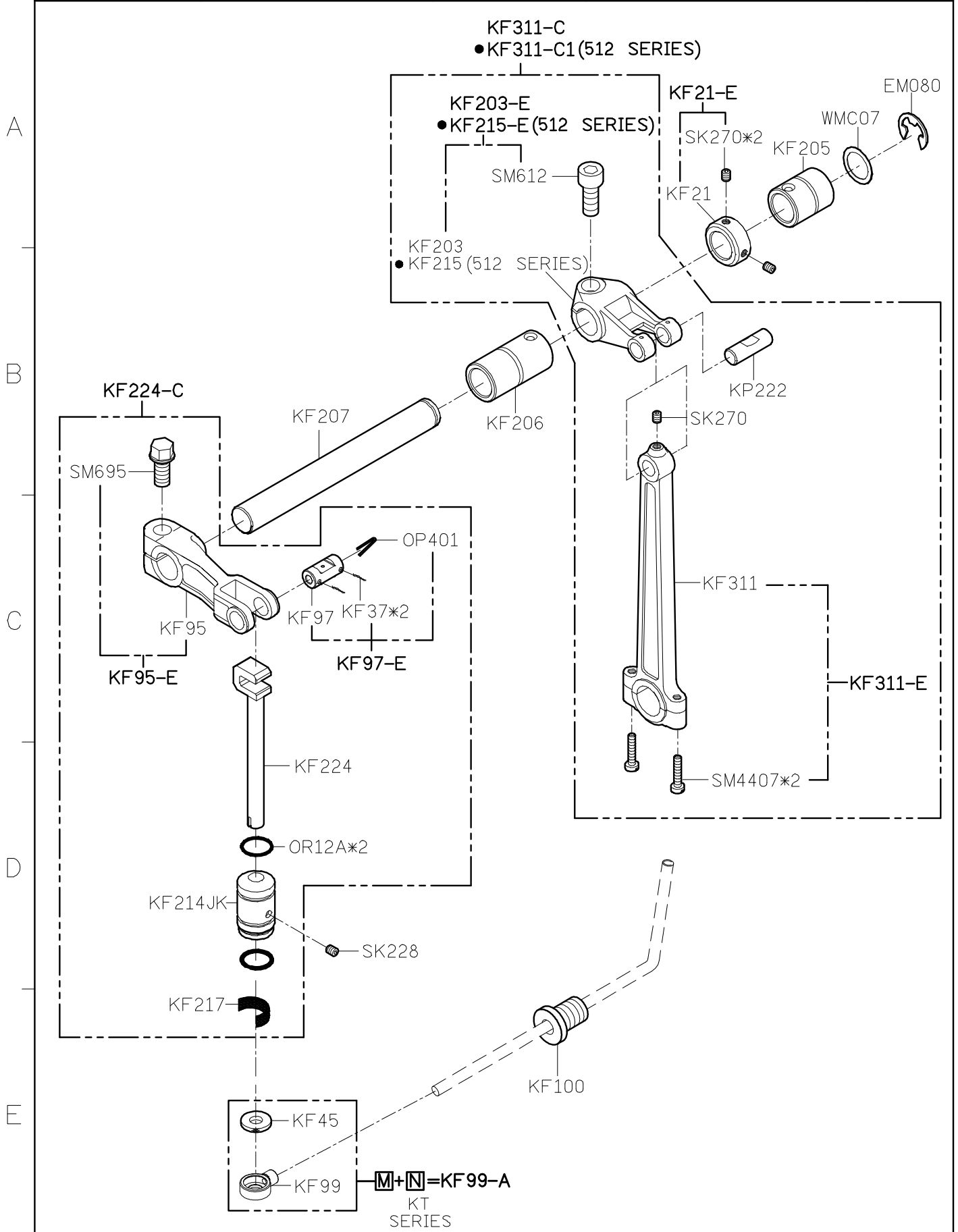
5



SIRUBA PARTS LIST	Series	Parts Group	Subclass / Remark	Page
	700K/700KD 988/988D	KD	<input type="checkbox"/> FOR H MOTOR <input type="checkbox"/> FOR Y MOTOR	2/2
				Date
				2019/10/25



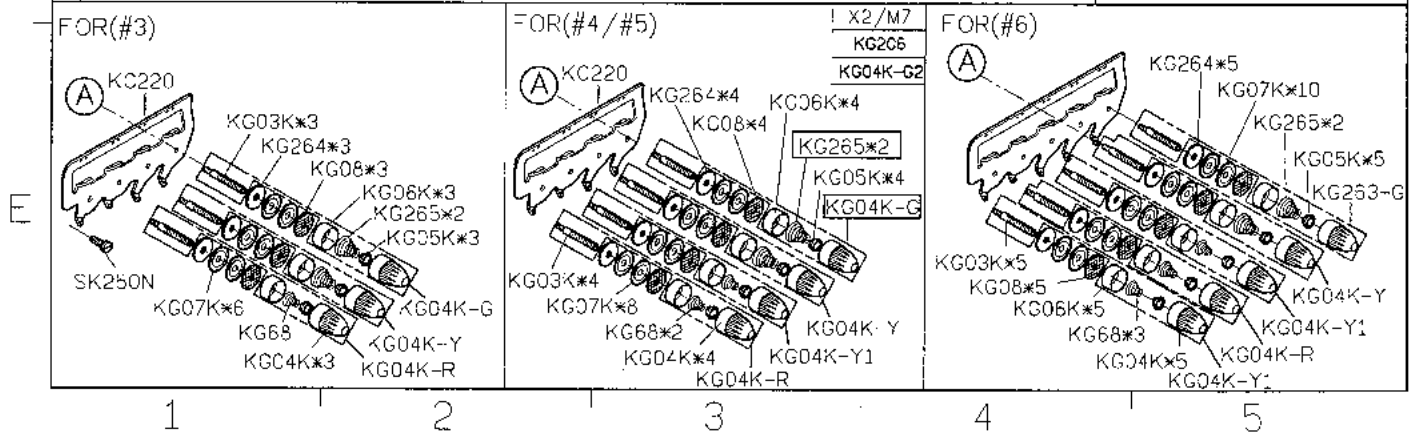
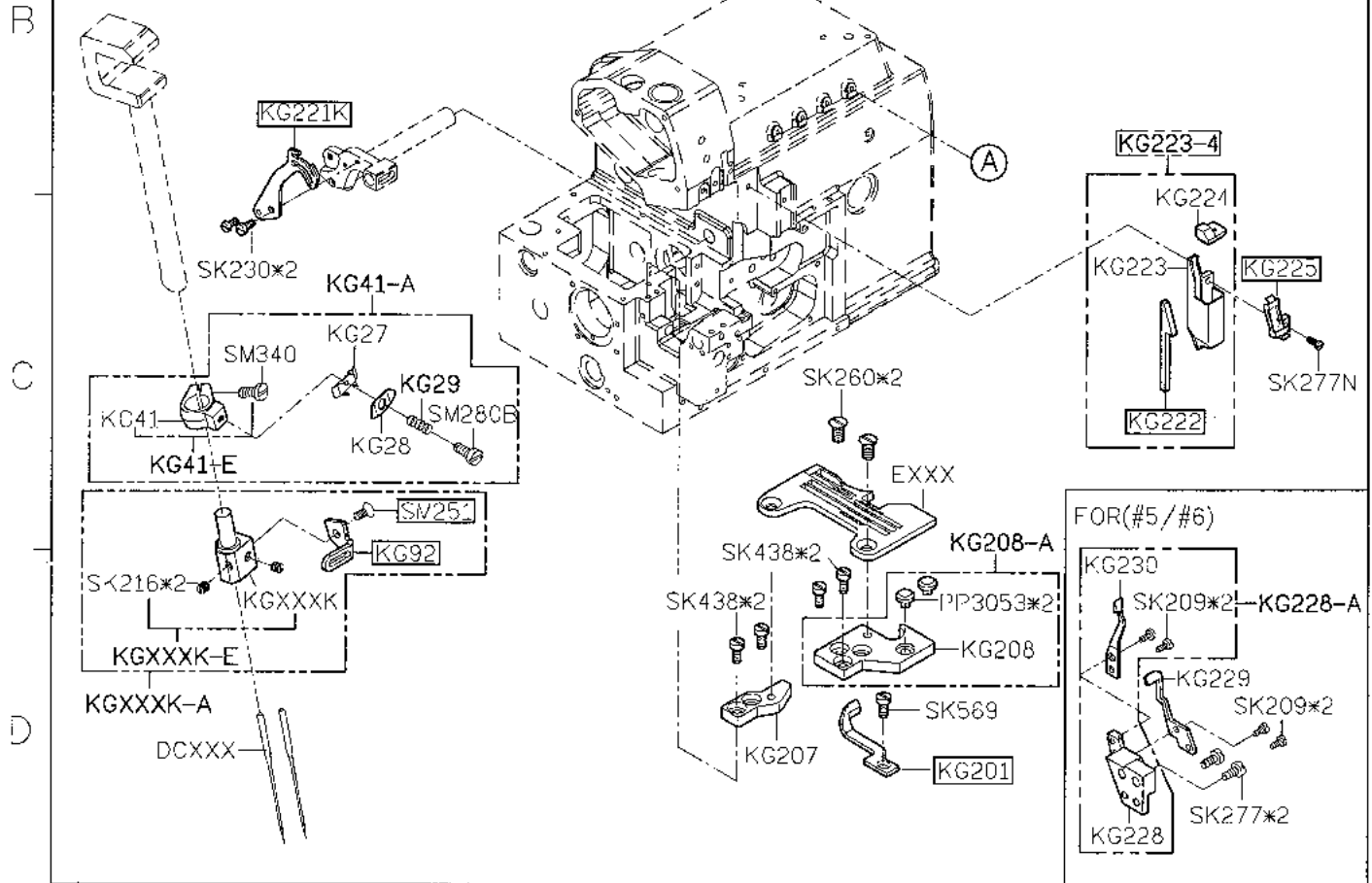
SIRUBA PARTS LIST	Series	Parts Group	Subclass / Remark	Page
	700K/700KD 988/988D	KF		1/1
				Date 2020/03/25



1                      2                      3                      4                      5

<b>SIRUBA</b> PARTS LIST	Series		Parts Group	Suoclass / Remark	Page
	700K/700KD		<b>KG</b>		1/1
	988/988D				Date
					2017/11/29

MODEL	#3	#4	#5	#6	FOR(#3/#4)	FOR(#5/#6)
	KG262	KG211K	KG262	KG211K		
	KG248	KG213K	KG239	KG246		
	KG250K	KG221K	KG243	KG251K		
	KG222	KG222	KG245	KG245		
	KG225	KG225	KG261	KG261		
	KG201	KG201	KG244	KG244		
	KG93	KG92	KG267	KG267		
	SK216	SK216	SK216*2	SK216*2		
	SK250N	SK250N	SK250N*2	SK250N*2		
	SK437N	SK437N	SK569	SK569		
			SK574N	SK674N		
	SM251	SM251	SM250	SM250		
	KG212-3	KG212-4	KG241-5	KG241-6		
	KG223-4	KG223-4	KG223-5	KG223-5		



SIRUBA PARTS LIST	Series			Parts Group	Subclass / Remark	Page
	700K/700KD 988/988D			KJ		1/1
						Date
						2020/07/16

MODEL	#3/#5	#4/#6	#4 M7/M2-28	#5 X2
PARTS NO	KJ247-E	KJ246-E	KJ248-E	KJ246-E+KJ234
	KJ206	KJ203	KJ203	KJ206
	KJ206-E	KJ203-E	KJ203-E	KJ206-E
	KJ206-C1	KJ203-C1	KJ203-C1	KJ206-C
	KJ236K	KJ208K	KJ228K	KJ236K
	KJ236K-C1	KJ208K-C1	KJ228K-C1	KJ236K-C1
	KJ219		KJ238	KJ238

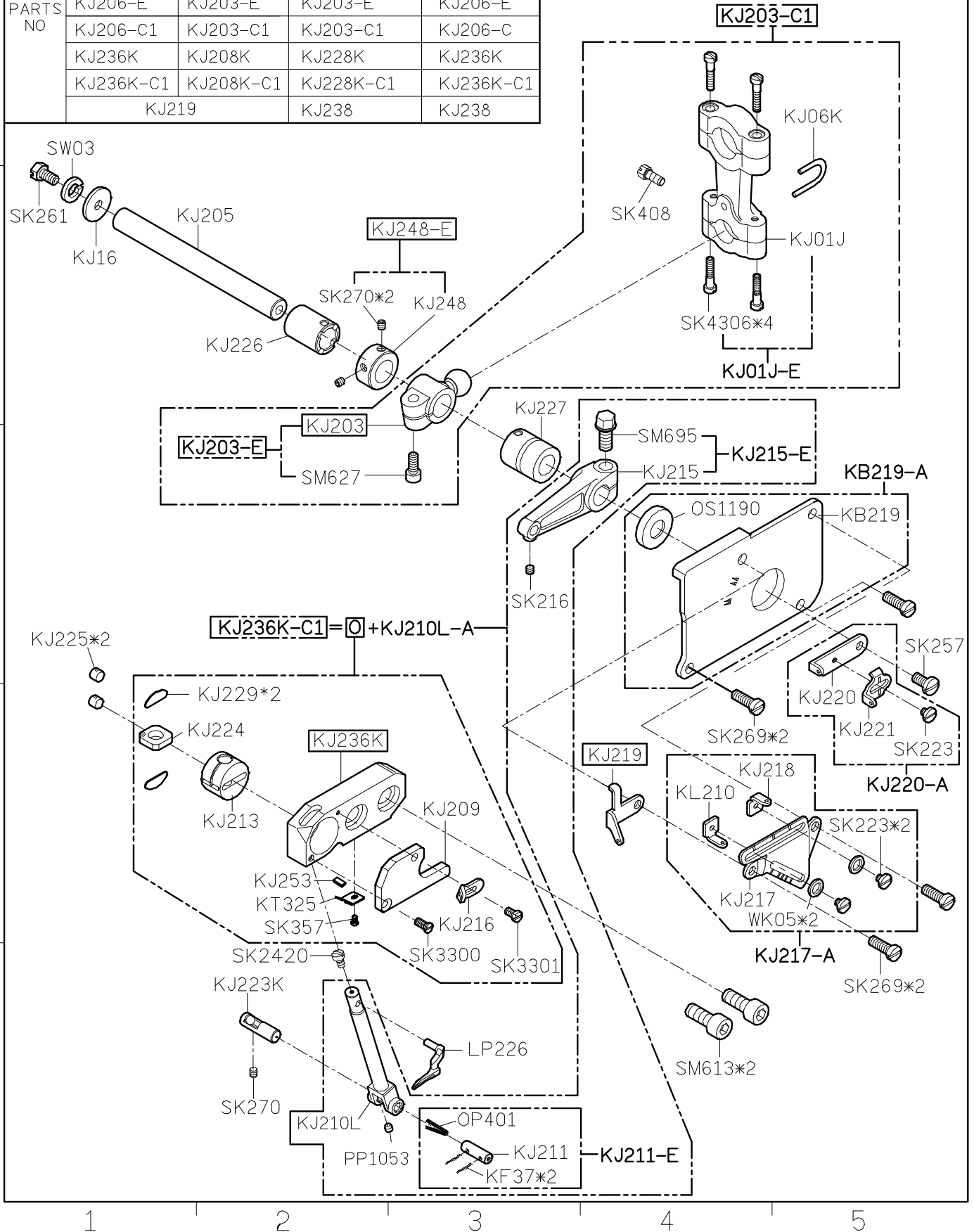
A

B

C

D

E



1

2

3

4

5

<b>SIRUBA</b> PARTS LIST	Series	Parts Group	Subclass / Remark	Page
	700K/700KD 988/988D	<b>KL</b>		1/1
				Date 2018/03/15

MODEL	#3/#4	#5/#6	M7/X2 SERIES
PARTS NO	KL202		KL202A
	KL211-A		KL211-A1
	KL205	KL209	
	KL205-E	KL209-E	
	KL205-C1	KL209-C1	

KL KL KM  
SERIES SERIES SERIES  
 $\boxed{P} + \boxed{R} + \boxed{S} = \text{KL209-C1}$   
 KL KL  
SERIES SERIES  
 $\boxed{P} + \boxed{Q} = \text{KL205-C1}$

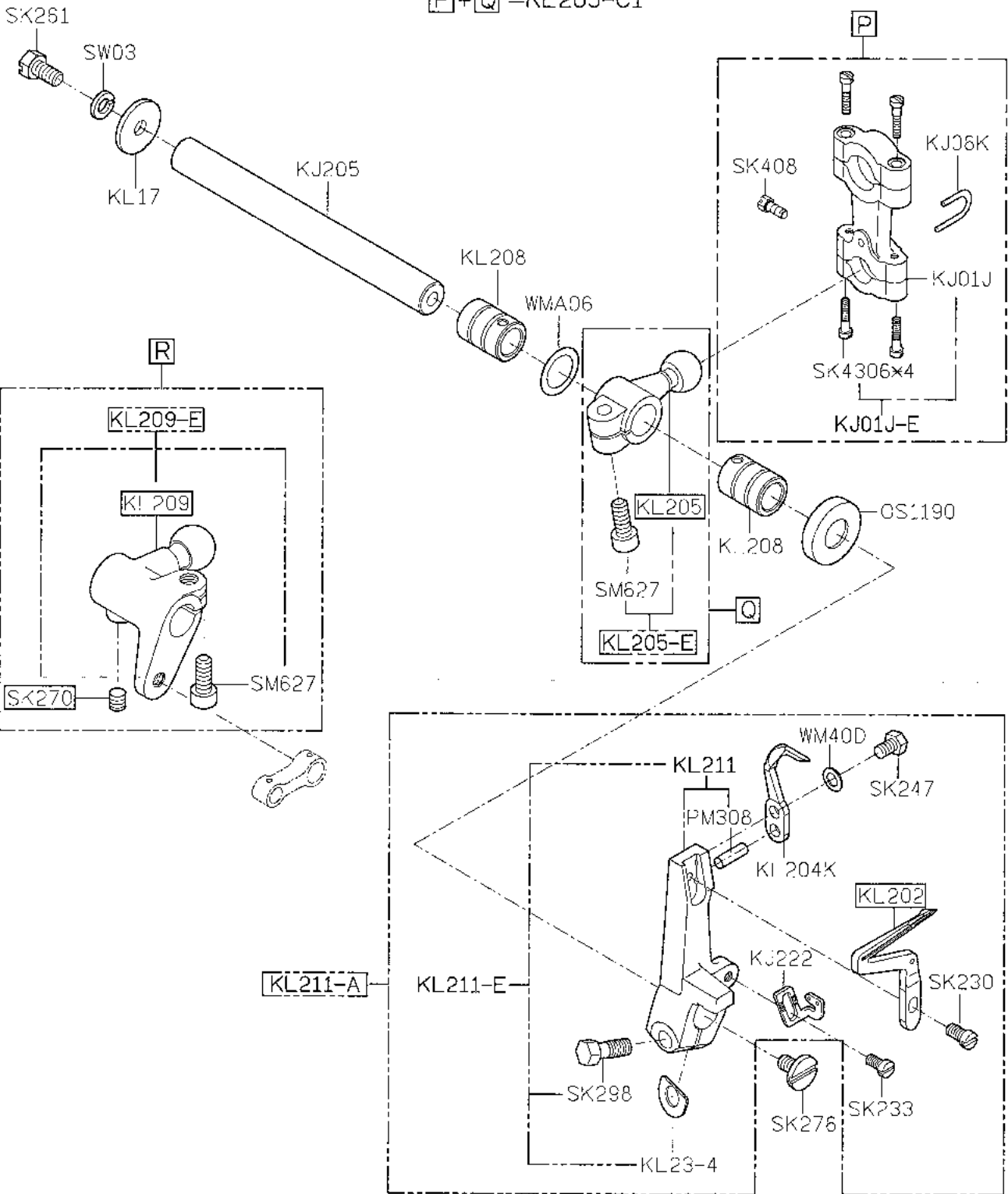
A

B

C

D

E



1

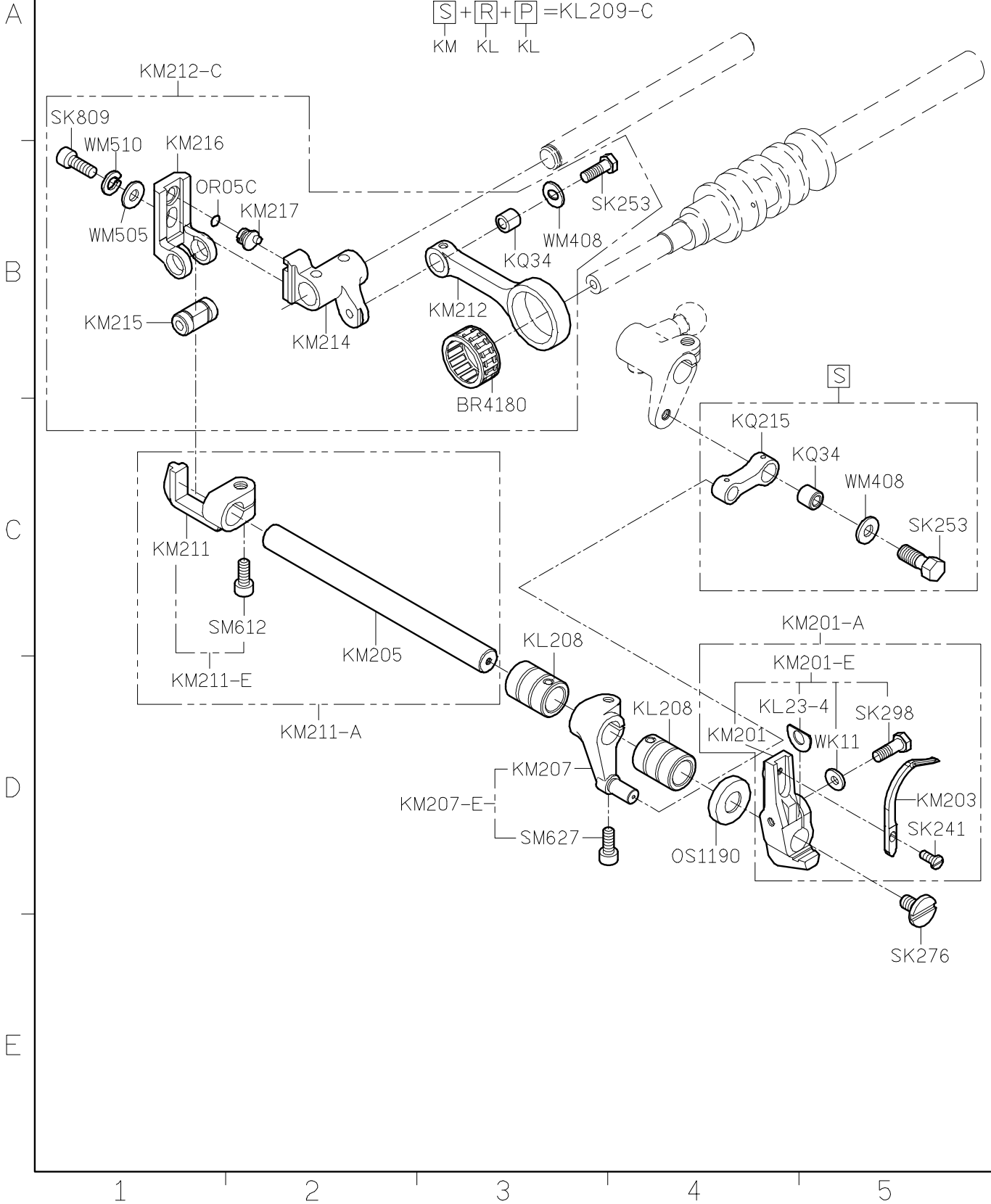
2

3

4

5

SIRUBA PARTS LIST	Series	Parts Group	Subclass / Remark	Page
	700K/700KD	KM		1/1
	988/988D			Date
				2019/08/06



**SIRUBA**

PARTS LIST

Series

700K/700KD  
988/988D

Parts Group

**KR**

Subclass / Remark

Page

1/1

Date

2018/3/16

MODE	#3/#4	#5/#6	#5 X2
	KR202	KR218	KR218
	KR202-E	KR218-E	KR218-E
	KR311-C	KR311-C1	KR311-C1
PARTS NO	KR206K	KR221	KR221
	KR206K-A	KR221-A	KR221-A1
	KR209	KR219	KR223
	KR209-A	KR219-A	KR223-A

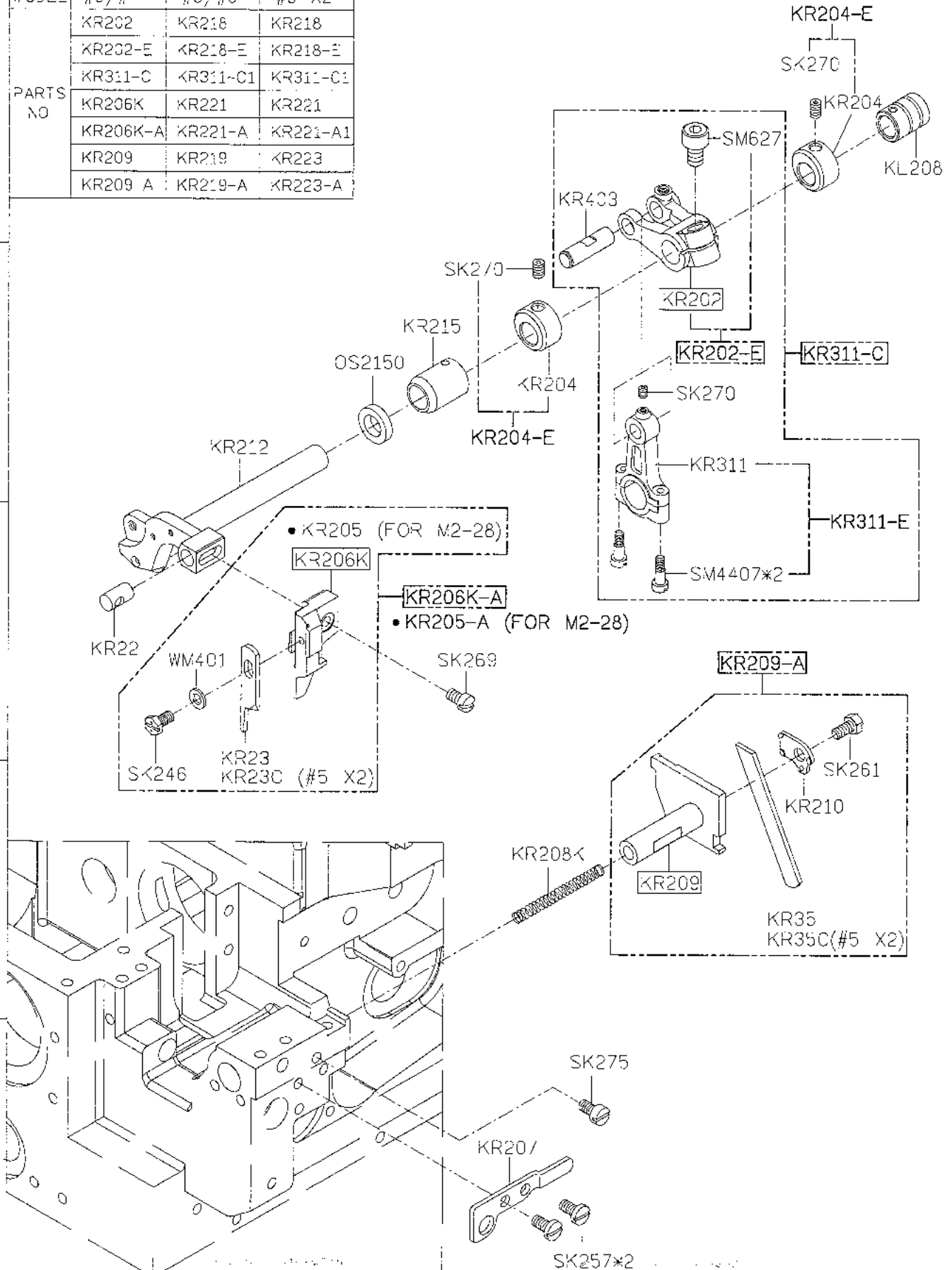
A

B

C

D

E



1

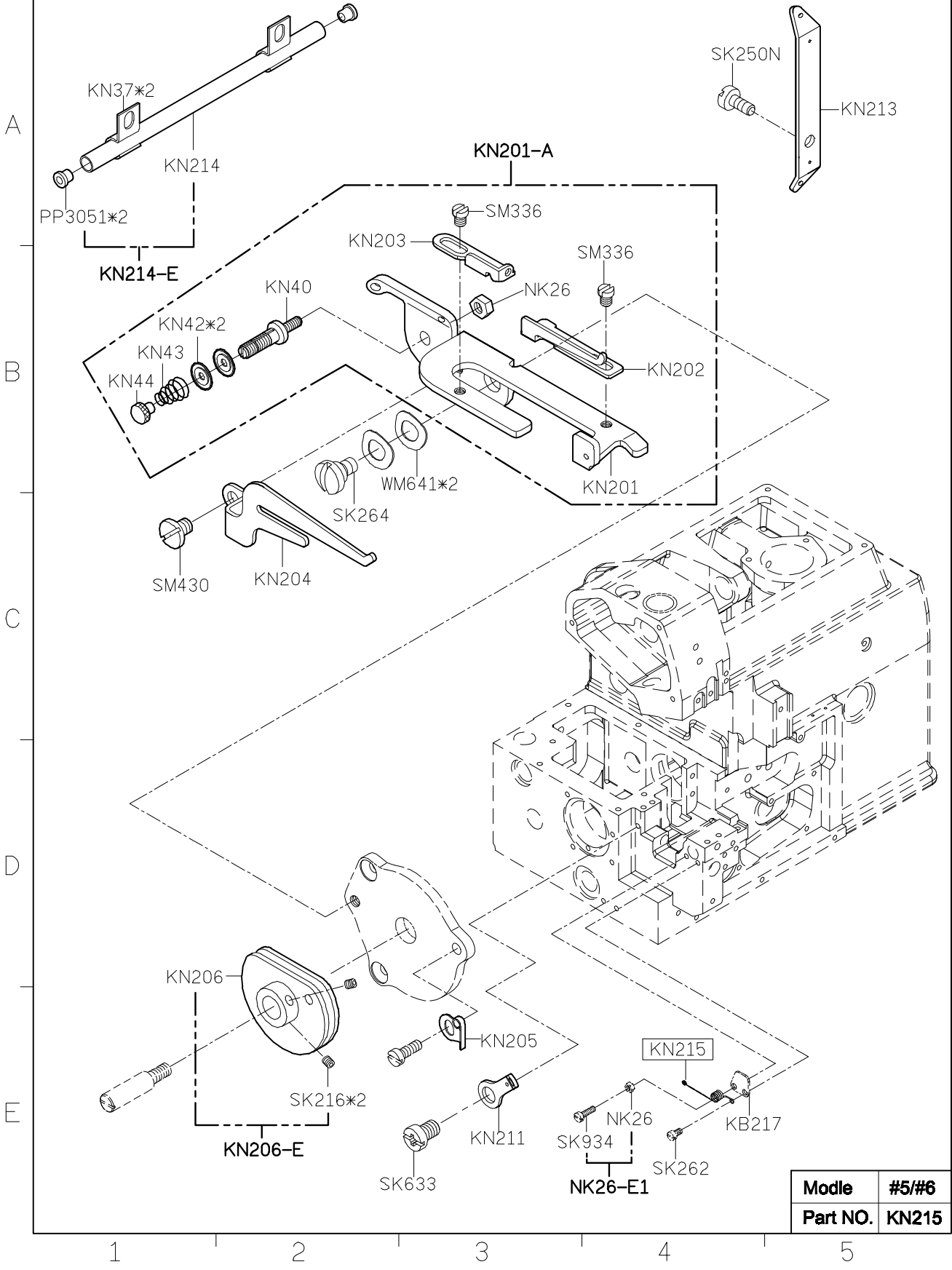
2

3

4

5

<b>SIRUBA</b> <b>PARTS LIST</b>	<b>Series</b>	<b>Parts Group</b>	<b>Subclass / Remark</b>	<b>Page</b>
	<b>700K/700KD</b>	<b>KN</b>		1/1
	<b>988/988D</b>			<b>Date</b>
				2012/08/18





SIRUBA PARTS LIST	Series	Parts Group	Subclass / Remark	Page
	700K/700KD	KP		1/1
	988/988D			Date
				2014/01/15

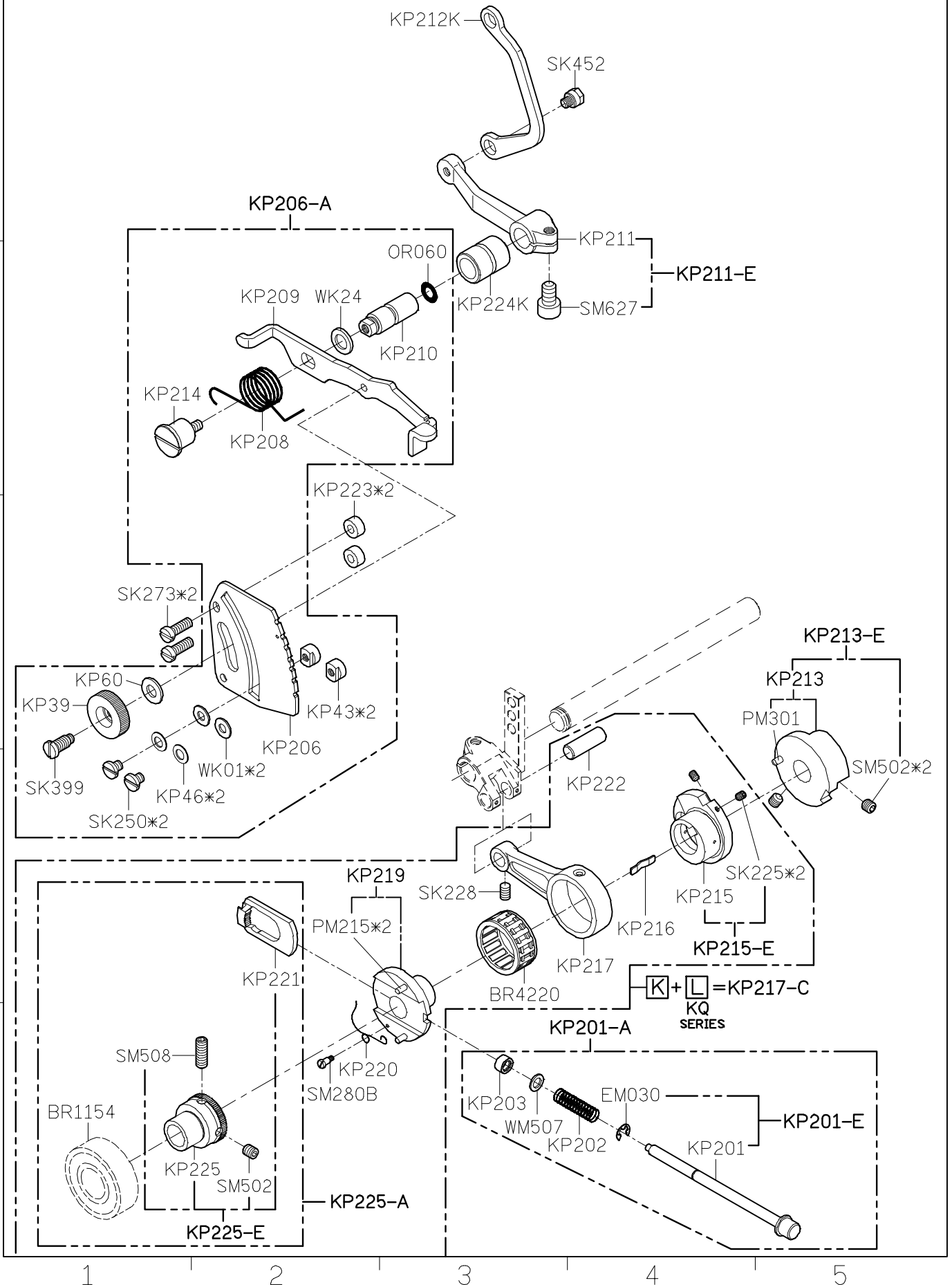
A

B

C

D

E



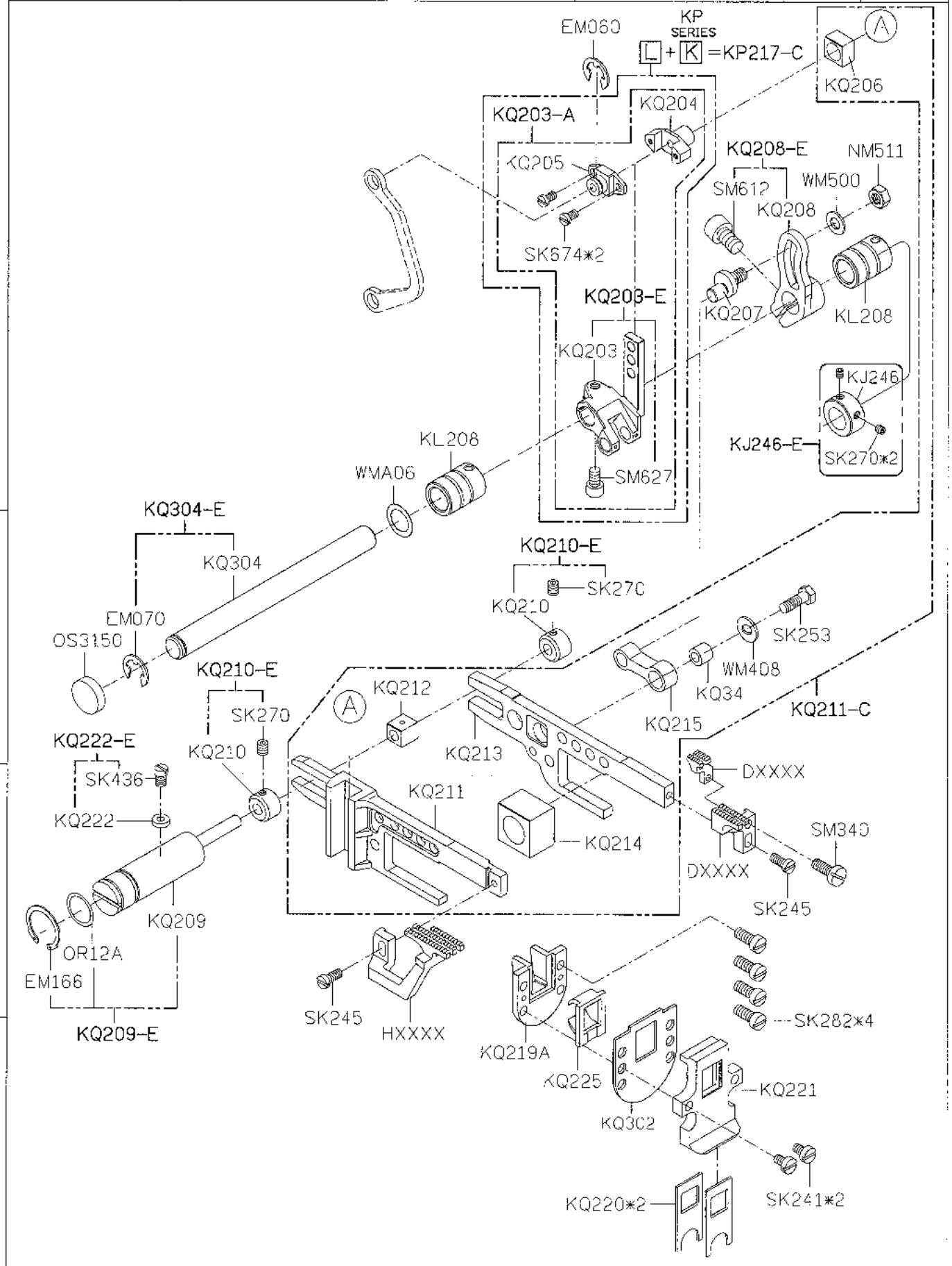
A

B

C

D

F



<b>SIRUBA</b> PARTS LIST	Series	Parts Group	Subclass / Remark	Page
	700K/700KD 988/988D	<b>KR</b>		1/1
				Date 2017/9/27

MODEL	#3/#4	#5/#6	#5 X2
	KR202	KR218	KR218
	KR202-E	KR218-F	KR218-C
	KR311-C	KR311-C1	KR311-C1
	KR206	KR221	KR221
	KR206-A	KR221-A	KR221-A1
	KR209	KR219	KR223
	KR209-A	KR219-A	KR223-A

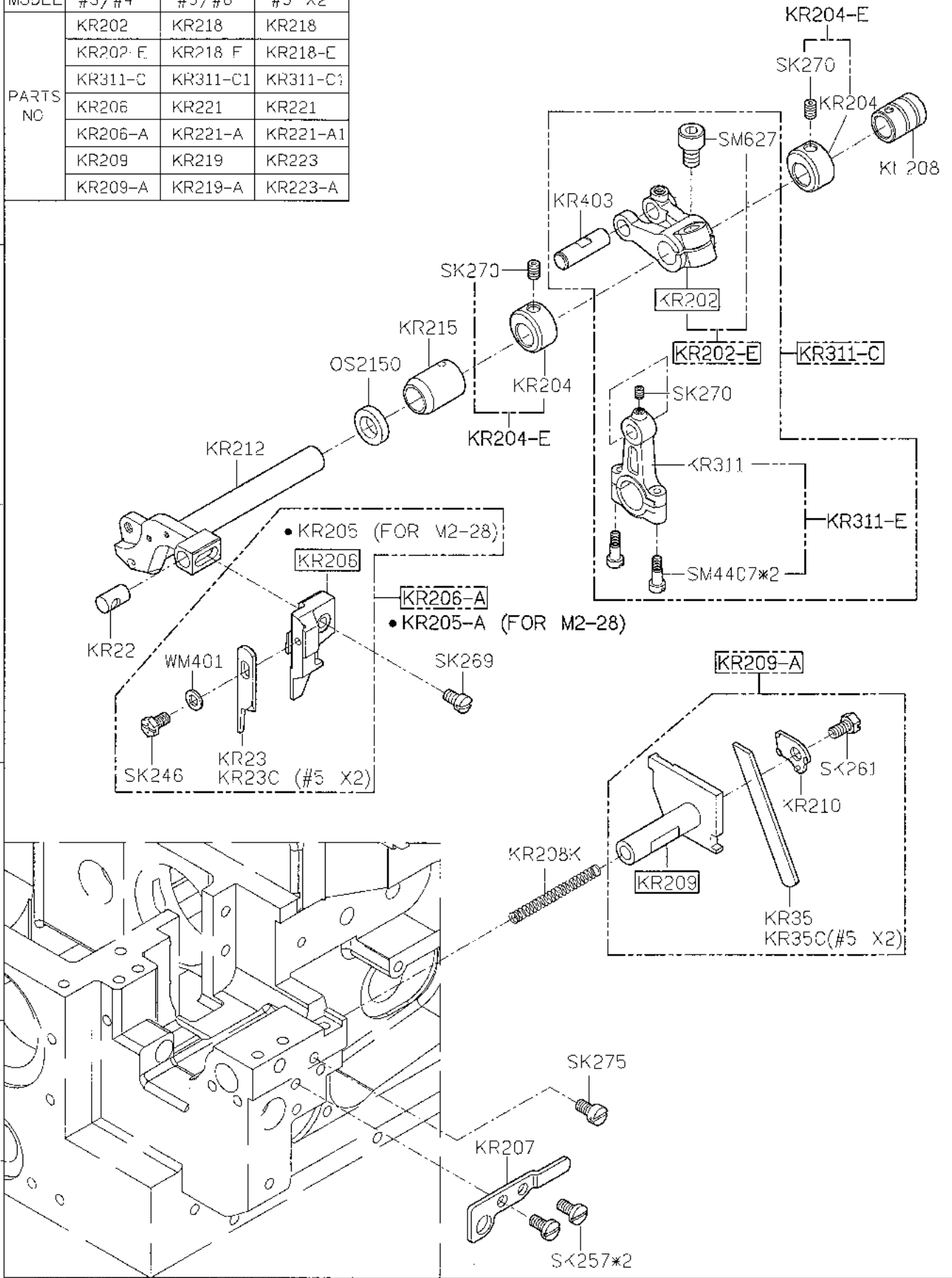
A

B

C

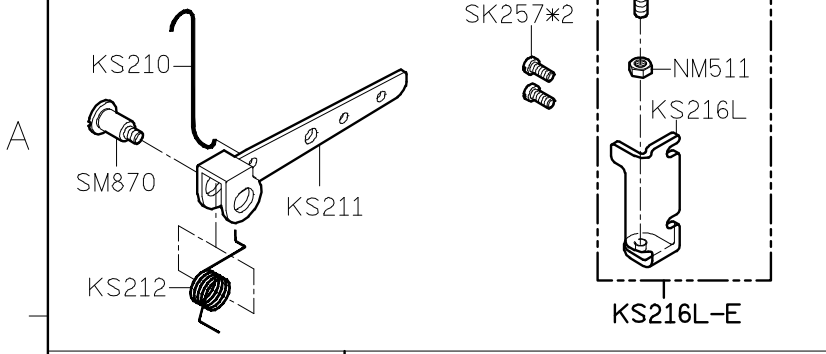
D

F

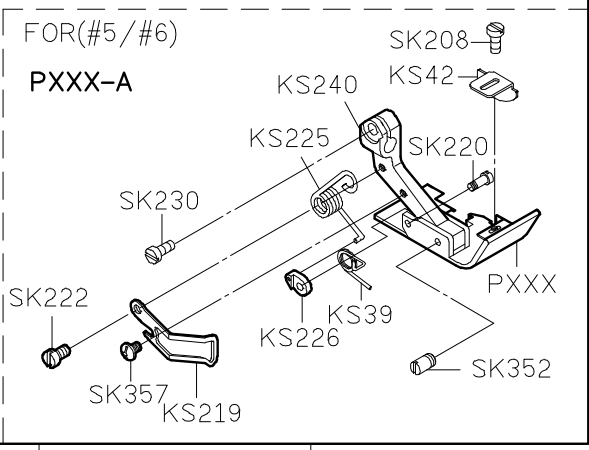
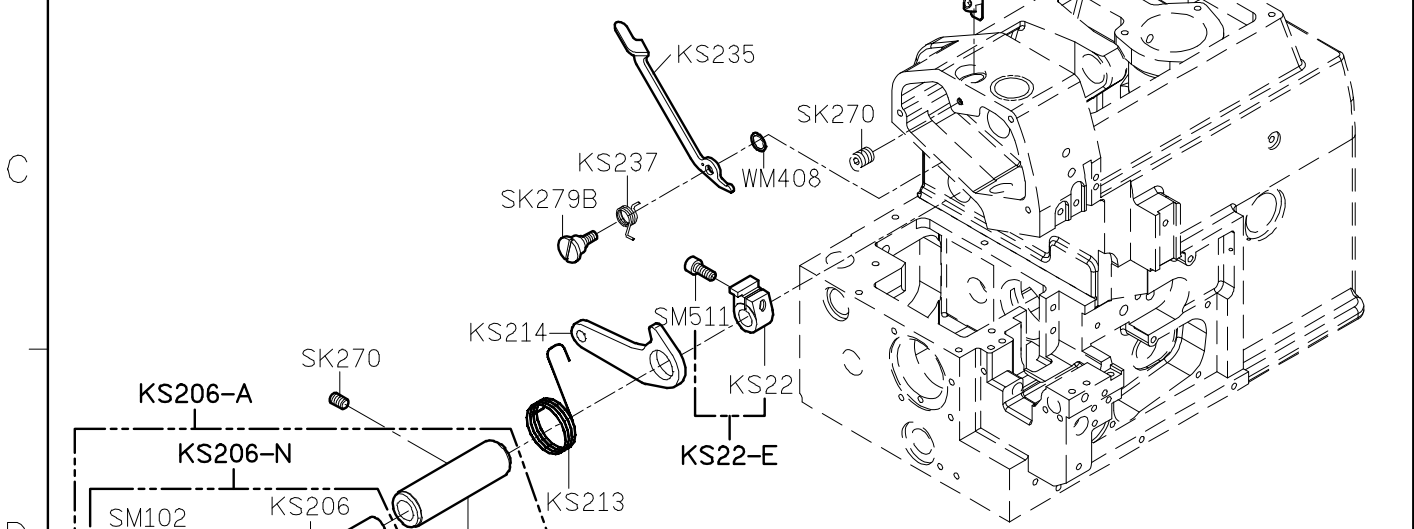
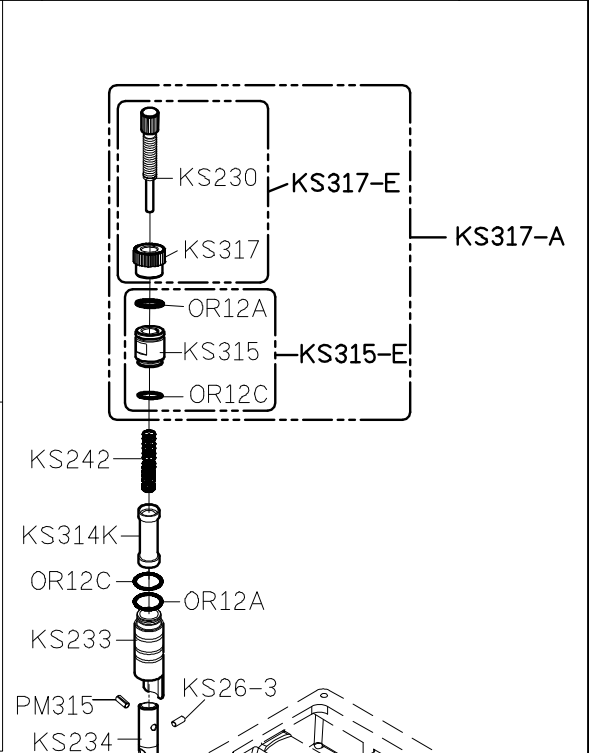
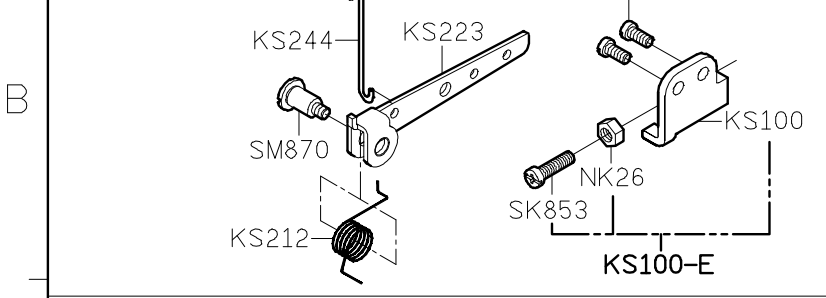


SIRUBA PARTS LIST	Series	Parts Group	Subclass / Remark	Page
	700K/700KD 988/988D	KS		1/1
				Date 2020/11/09

FOR 700K/988



FOR 700KD/988D



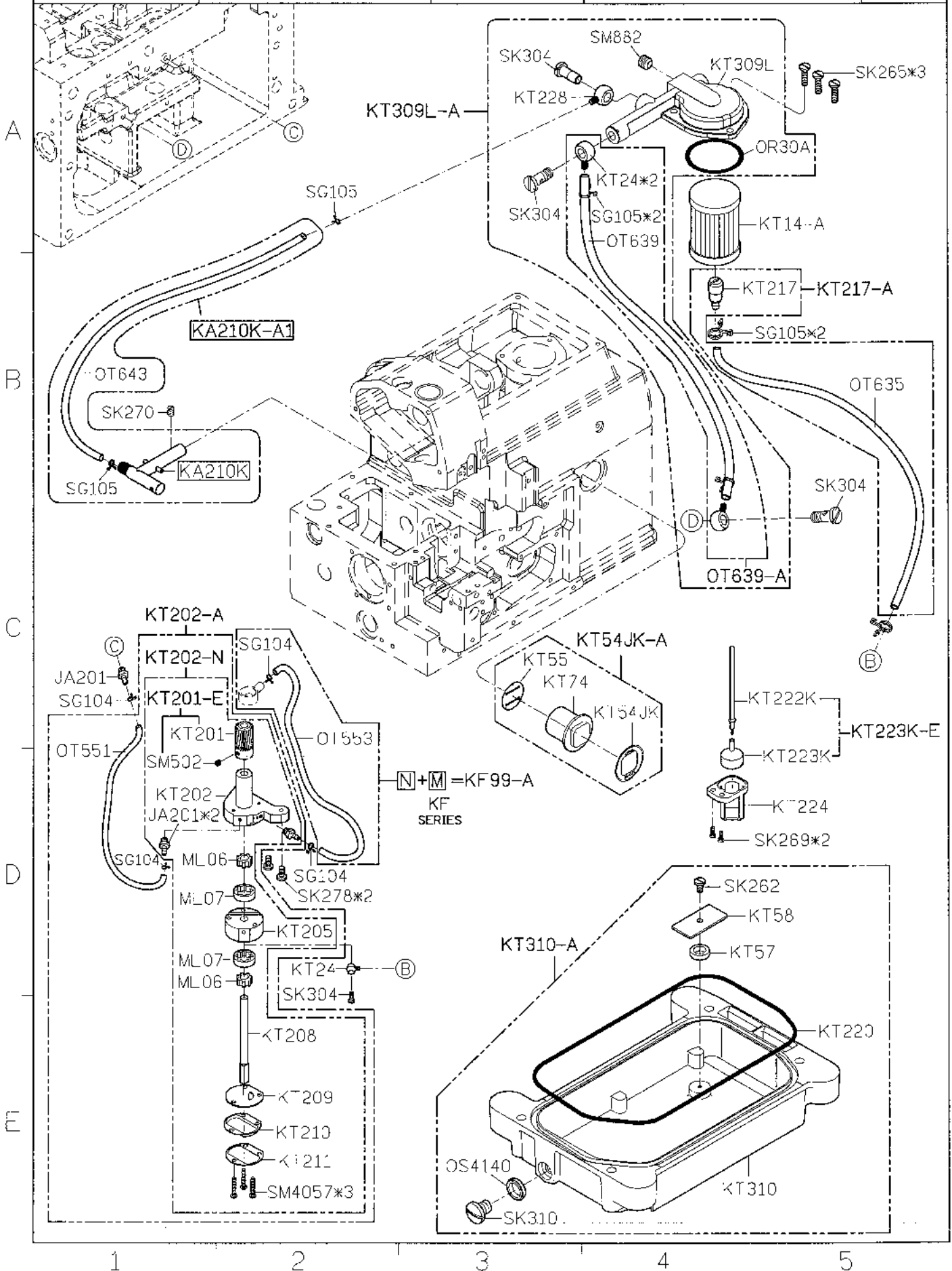
**SIRUBA**  
PARTS LIST

Series  
700K/700KD  
988/988D

Parts Group  
**KT**

Subclass / Remark

Page  
1/1  
Date  
2019/03/14



**SIRUBA**

**PARTS LIST**

Series

700K/700KD  
988/988D

Parts Group

**KU**

Subclass / Remark

Page

1/1

Date

2018/01/12

MODEL	#3/#4	#5/#6
PARTS NO	KU40	KU39
	KU220-4	KU220-5
	KU207	KU209
	KU206	KU211
	KU203-4	KU203-5
	SK277	SK437

KU60-A  
(FOR 505F1-04)

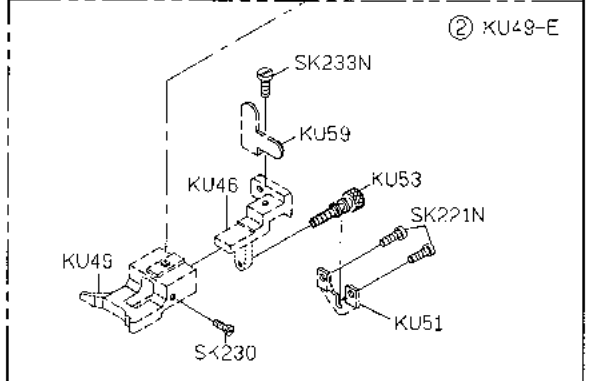
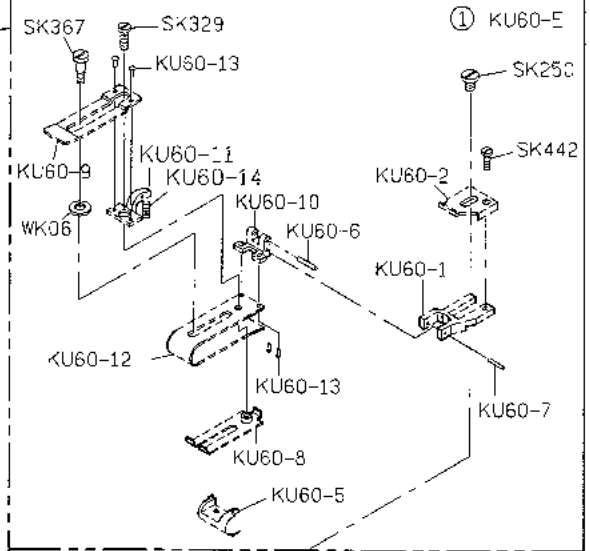
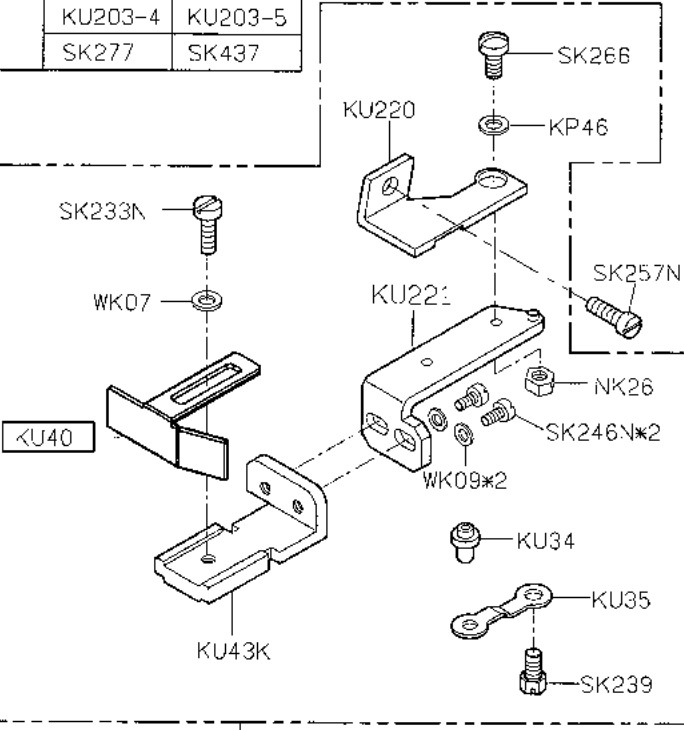
① KU60-E

A

B

C

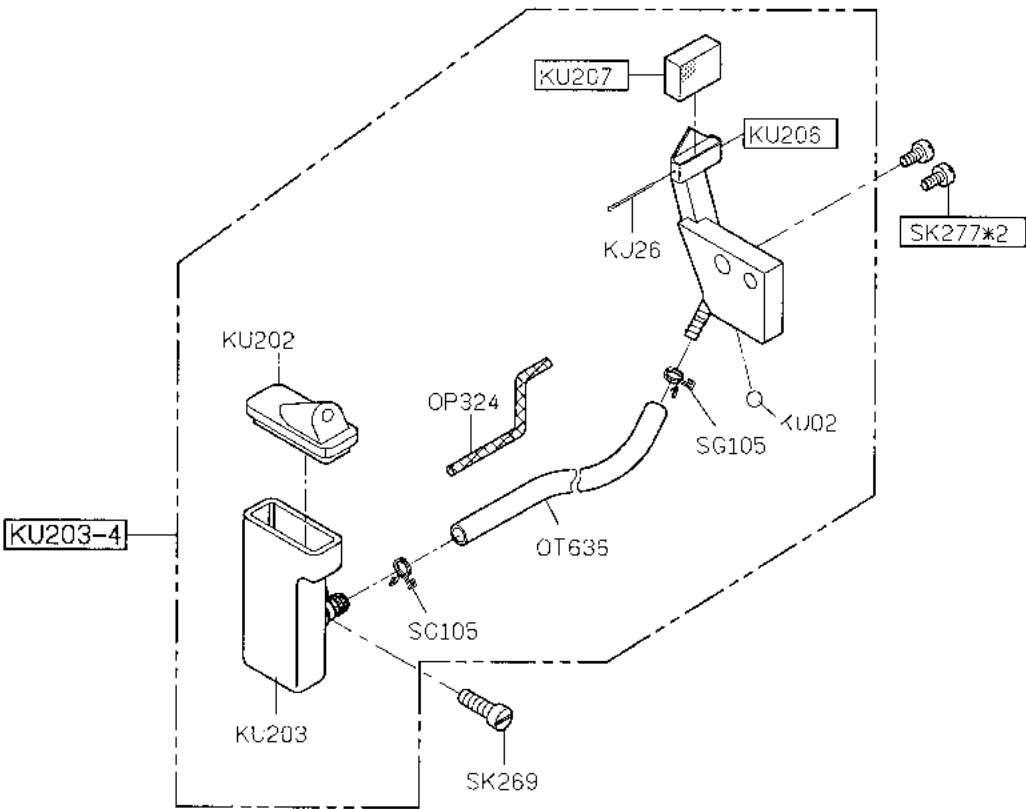
② KU49-E



Option: **KU220-4**

D

E



1 2 3 4 5

<b>SIRUBA</b> PARTS LIST	Series	Parts Group	Subclass / Remark	Page
	拷克	<b>KW</b>		1/4
	Overlock			Date
	含MO6800系列			2017/2/20

KW40E-3

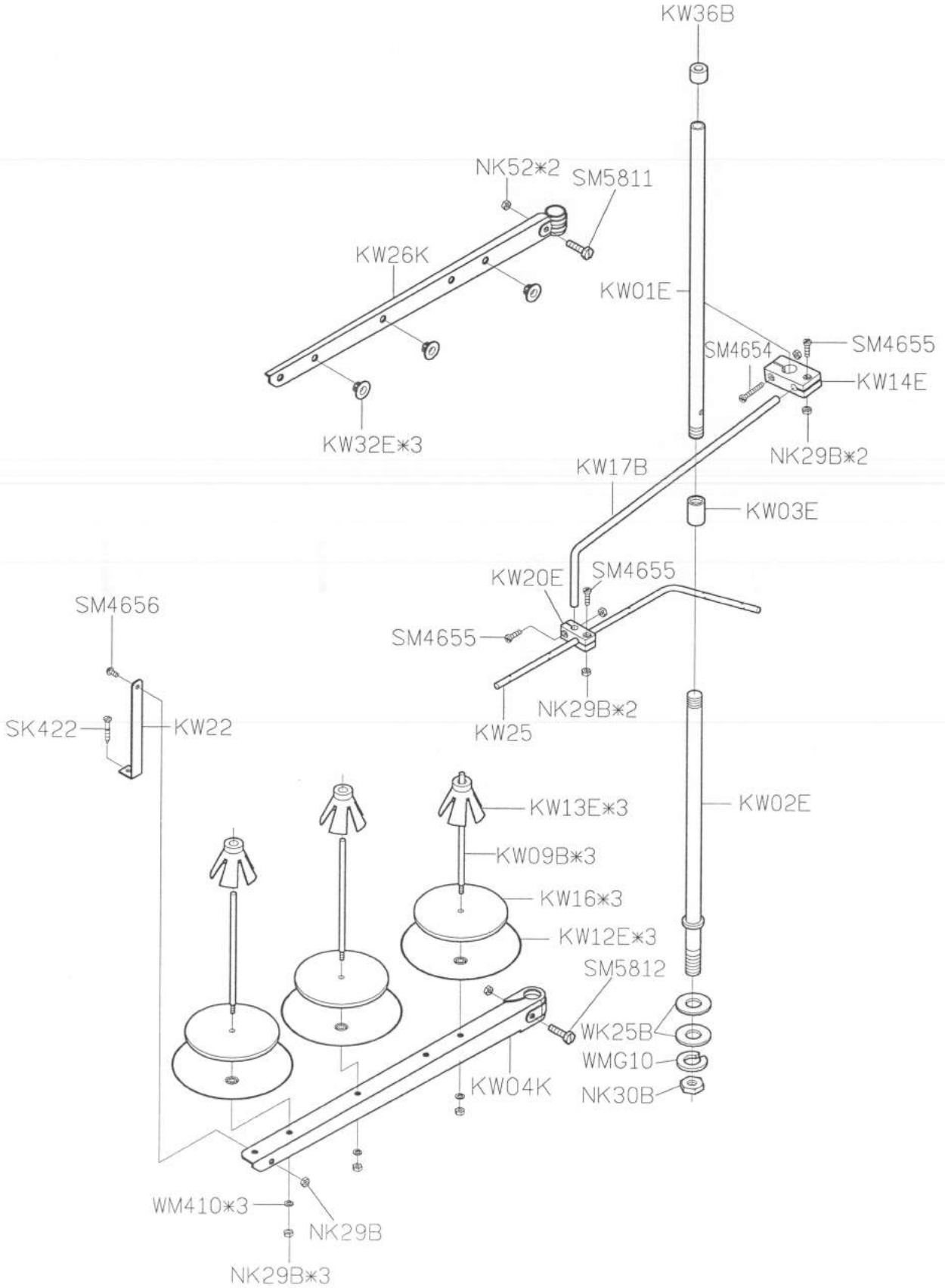
A

B

C

D

E



1

2

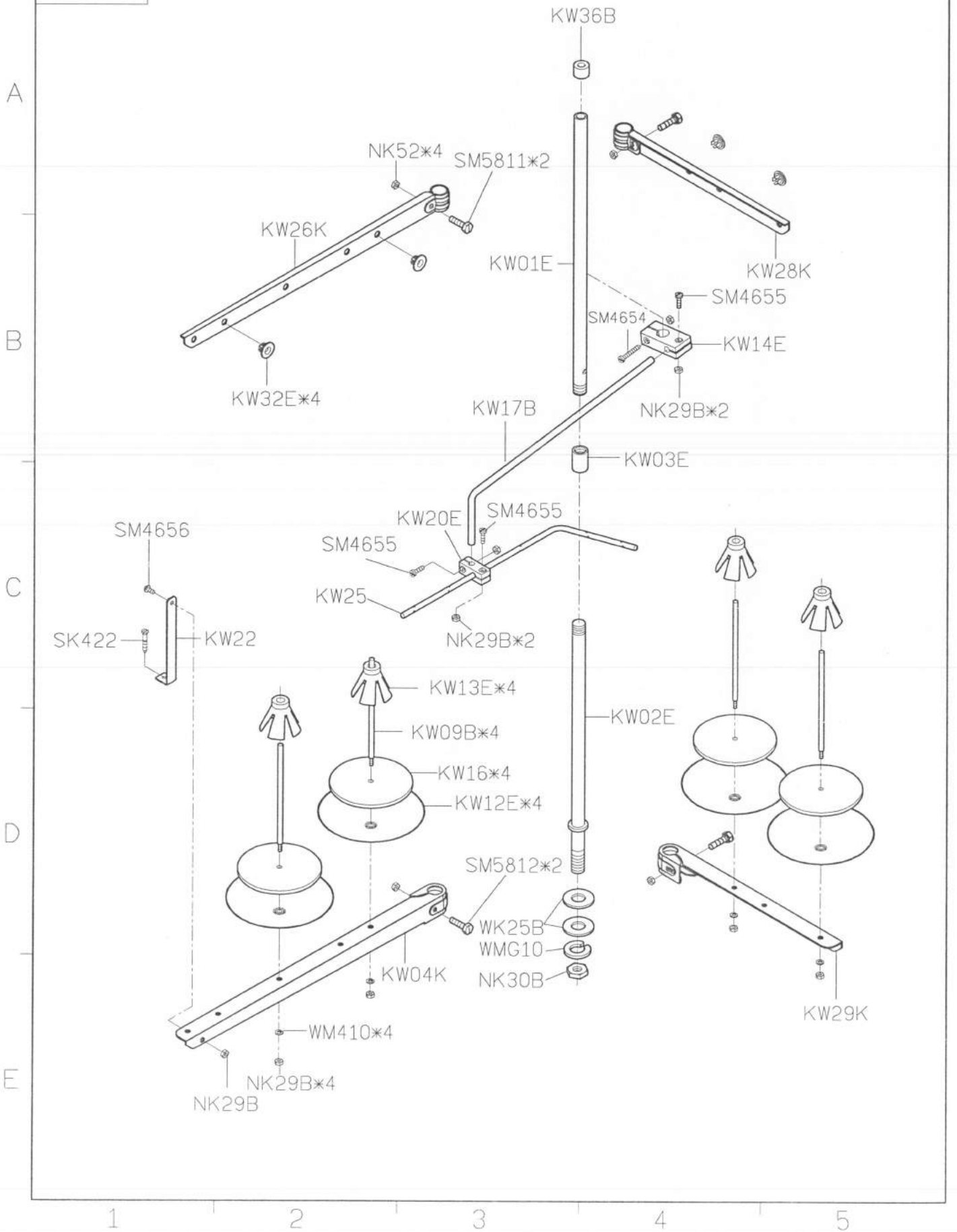
3

4

5

SIRUBA PARTS LIST	Series	Parts Group	Subclass / Remark	Page
	拷克	KW		2/4
	Overlock			Date
	含MO6800系列			2017/2/20

KW40E-4





<b>SIRUBA</b> PARTS LIST	Series	Parts Group	Subclass / Remark	Page
	拷克	<b>KW</b>		3/4
	Overlock			Date
	含MO6800系列			2017/2/20

KW40E-5

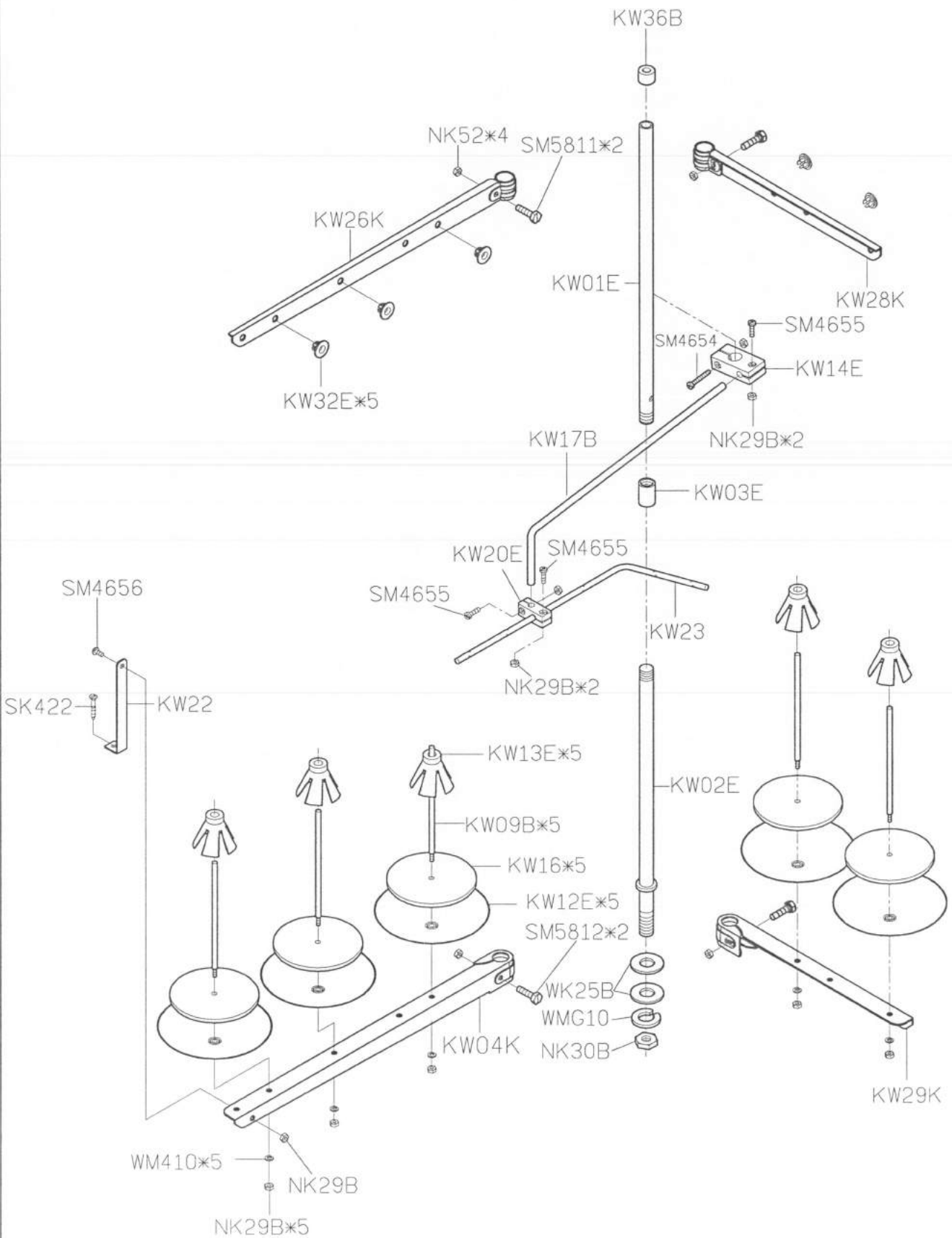
A

B

C

D

E



1

2

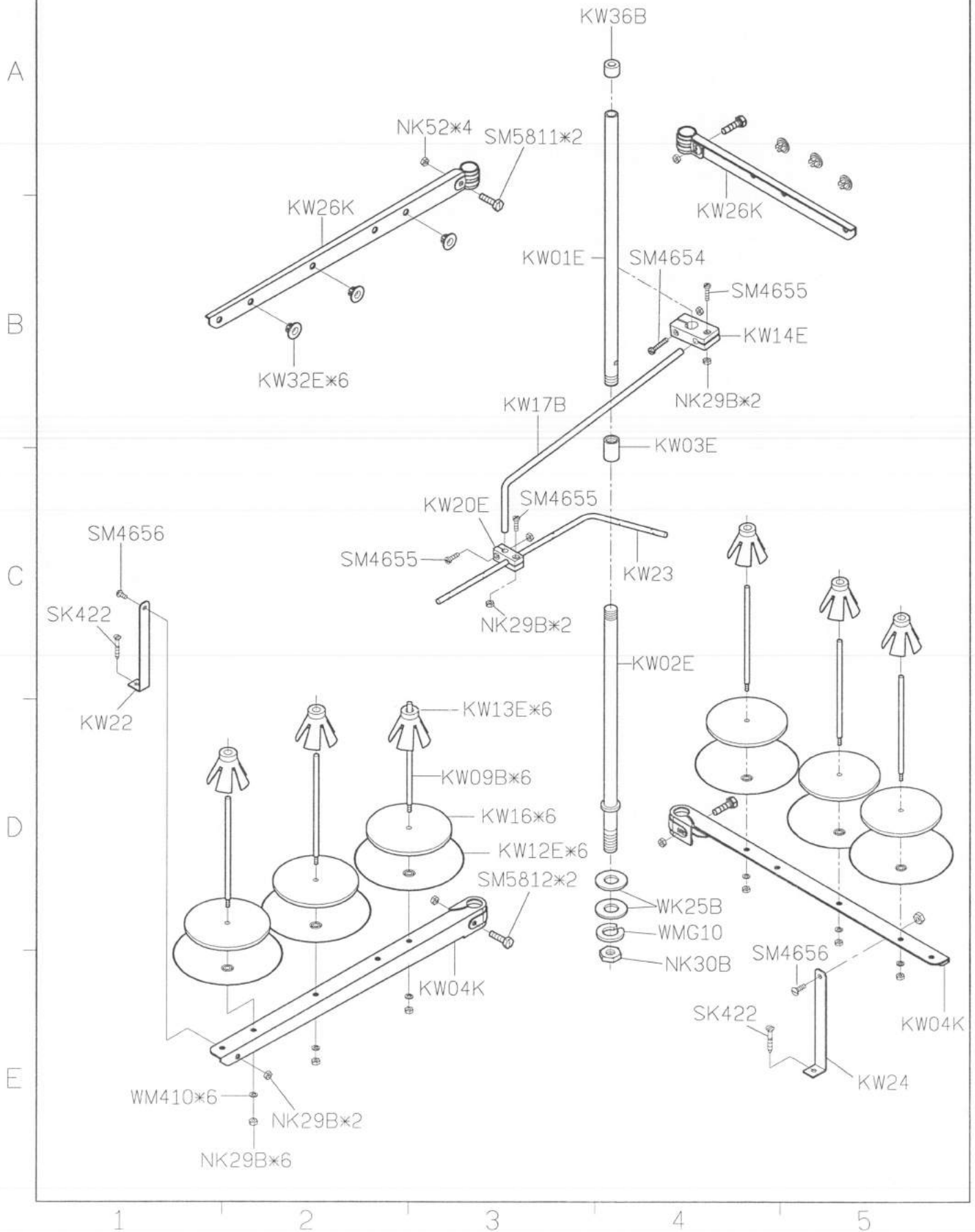
3

4

5

<b>SIRUBA</b> PARTS LIST	Series	Parts Group	Subclass / Remark	Page
	拷克	<b>KW</b>		4/4
	Overlock			Date
	含MO6800系列			2017/2/20

KW40E-6



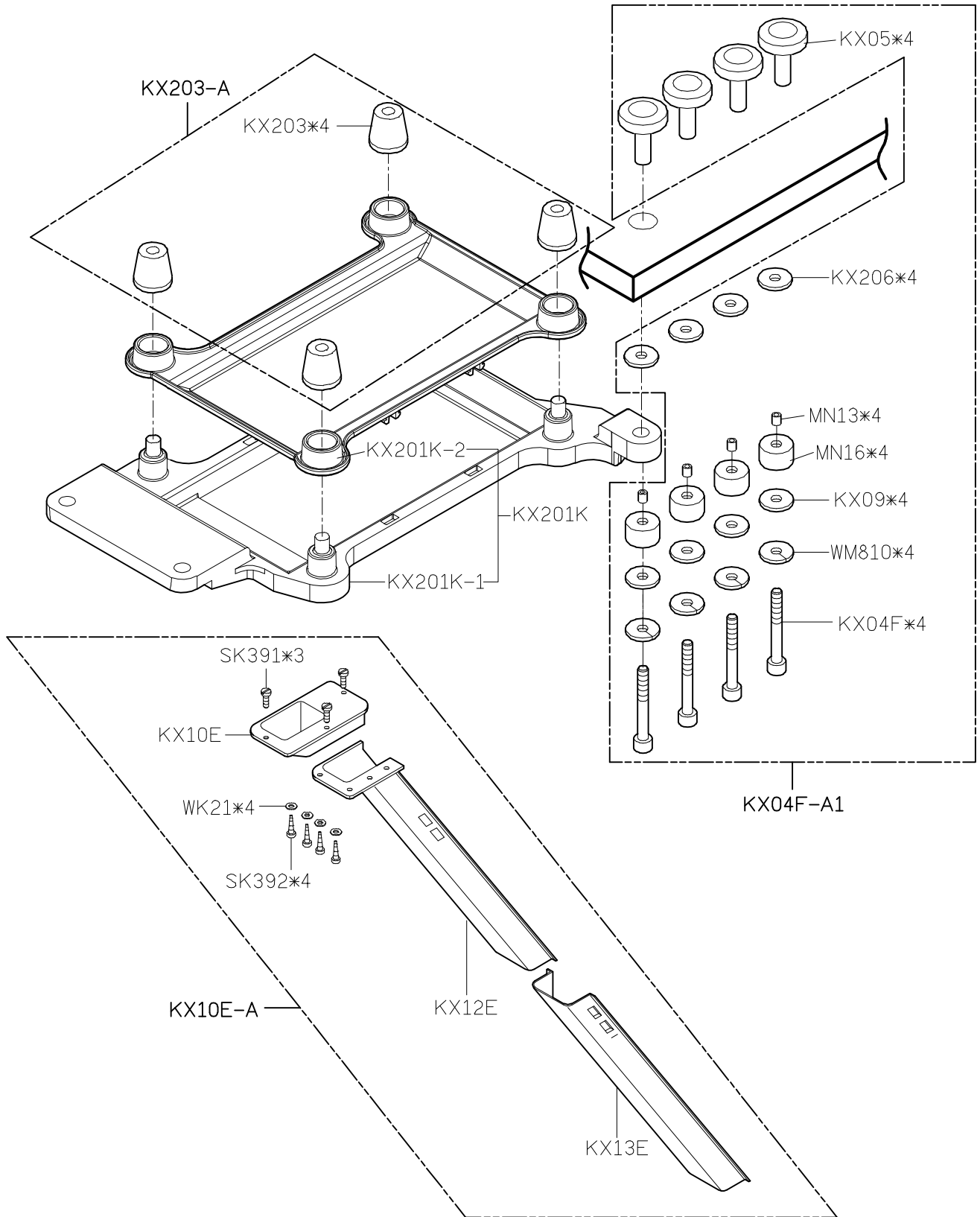
A

B

C

D

E



1

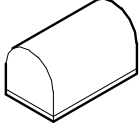





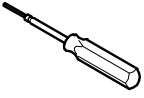
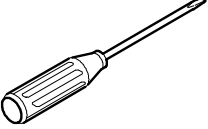
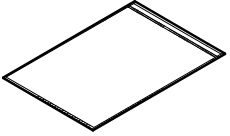
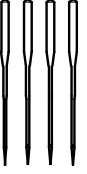



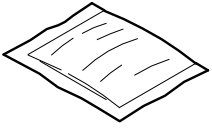
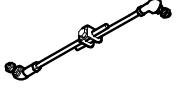
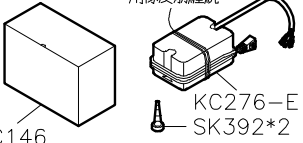

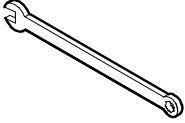
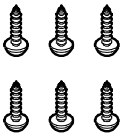
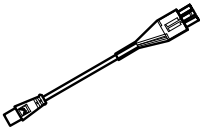
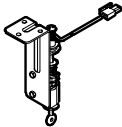
2

3

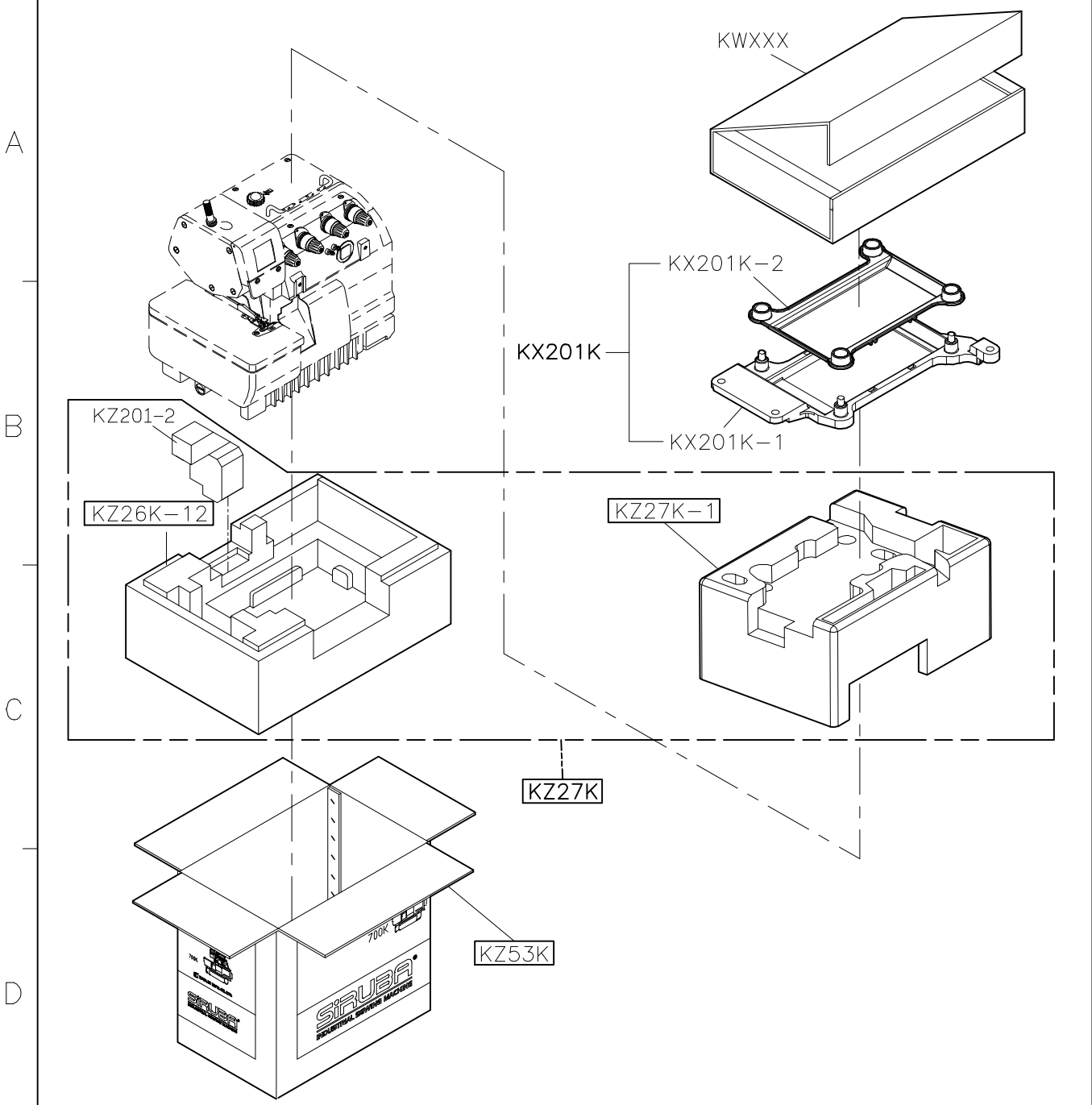
4

5

SIRUBA PARTS LIST	Series	Parts Group	Subclass Remark	Page
	700K/700KD 988/988D	KY	#: Use for 700K/988-DKF1 *: Use for 700D/988D	1/1
				Date
				2020/12/15

A	KY01-1 防塵罩 	KY203-A 油罐 	KY03 油壺 	KY04 漏斗 	KY18 鑷子 		
	B	SK216 螺絲 	KY14 內六角螺絲起子 	LY33 一字起子 	KY201JK 工具袋 	針*4 車針 	
		C	KR35/KR35C 下刀片 	KT14-A 濾油器 	KY30 針板紙 	KZ03 乾燥濟 	#TML11 拉杆 
			D	*KC276-A 燈座電器組  用橡皮筋纏繞 KC276-E SK392*2	KY21-A/MY21-A 鉤子/鍊條 	KY231 開口板手 	
				E	#SK392*6 螺絲 	#KD252 連接線 	#KD249-E 控速器 
1	2	3	4		5		

<b>SIRUBA</b> <b>PARTS LIST</b>	<b>Series</b>	<b>Parts Group</b>	<b>Subclass Remark</b>	<b>Page</b>
	700K/700KD 988/988D	<b>KZ</b>		1/1
				<b>Date</b>
				2015/04/22



MODEL	PARTS NO			ACCESSORY CASE
700K	KZ53K	KZ27K	KZ27K-1/KZ26K-12/KZ201-2	KWXXXJ (依配件盒實際料號)
988	KZ53K-1	KZ27K	KZ27K-1/KZ26K-12/KZ201-2	
700KD	KZ53KD	KZ27K	KZ27K-1/KZ26K-12/KZ201-2	
988D	KZ53KD-1	KZ27K	KZ27K-1/KZ26K-12/KZ201-2	
700K-LFC	KZ55K	KZ51K	KZ51K-1/KZ26K-2	
988-LFC	KZ55K-1	KZ51K	KZ51K-1/KZ26K-2	
700KD-LFC	KZ55KD	KZ51K	KZ51K-1/KZ26K-2	
988D-LFC	KZ55KD-1	KZ51K	KZ51K-1/KZ26K-2	
700K-DKF1	KZ208	KZ206	KZ206-1/KZ206-2	KWXXXH (依配件盒實際料號)
988-DKF1	KZ208-1	KZ206	KZ206-1/KZ206-2	

1    2    3    4    5

**SIRUBA**  
TABLE  
CUT - OUT

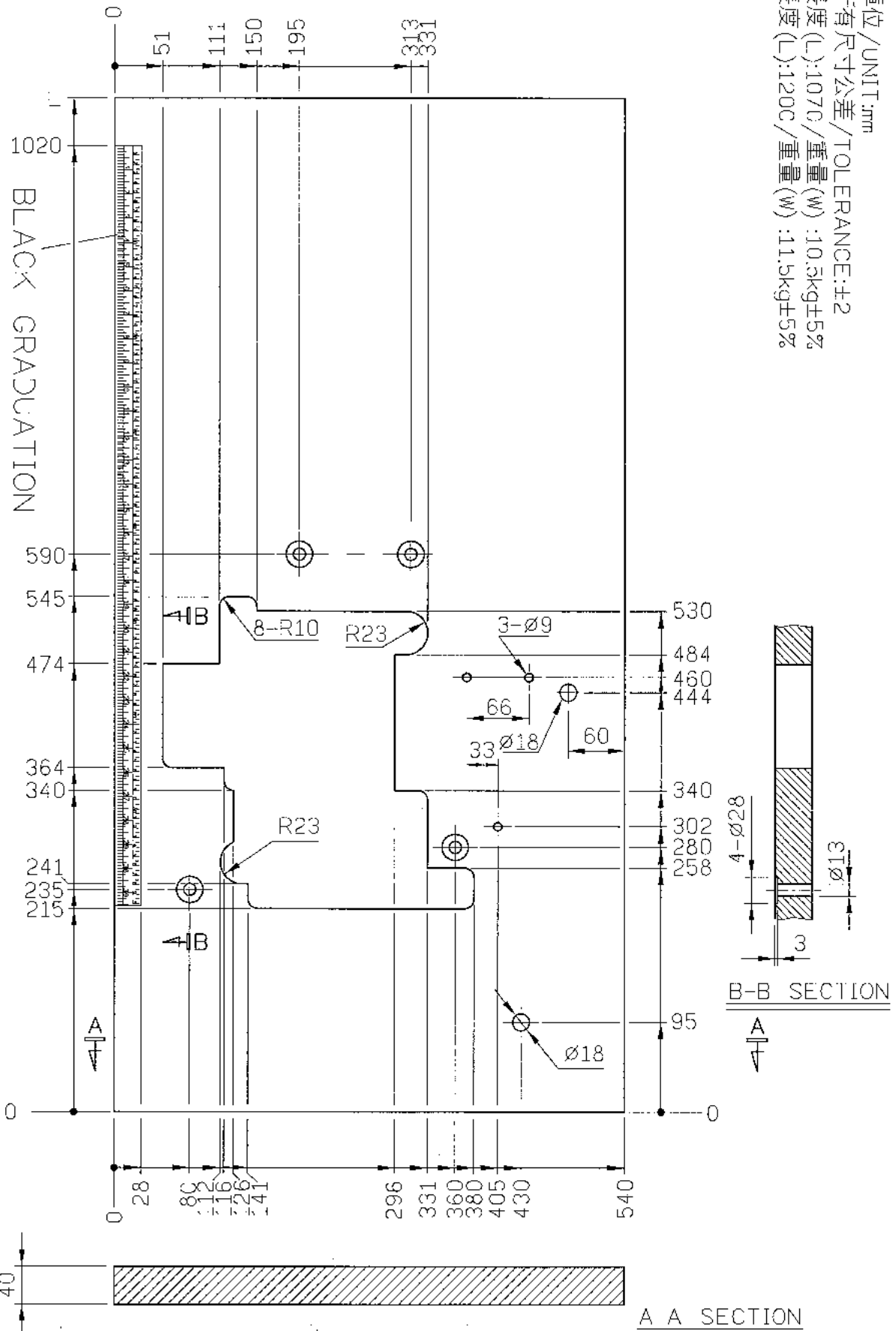
Series  
**700K/988**  
**700KT/700L**

Item Code  
**700K-T**

Subclass Remark

Mounting  
Semi-submerged  
Date  
2018/08/28

單位/UNIT:mm  
所有尺寸公差/TOLERANCE:±2  
長度(L):1070/重量(W):10.5kg±5%  
長度(L):1200/重量(W):11.5kg±5%



A A SECTION

B-B SECTION

**SIRUBA**  
TABLE  
CUT - OUT

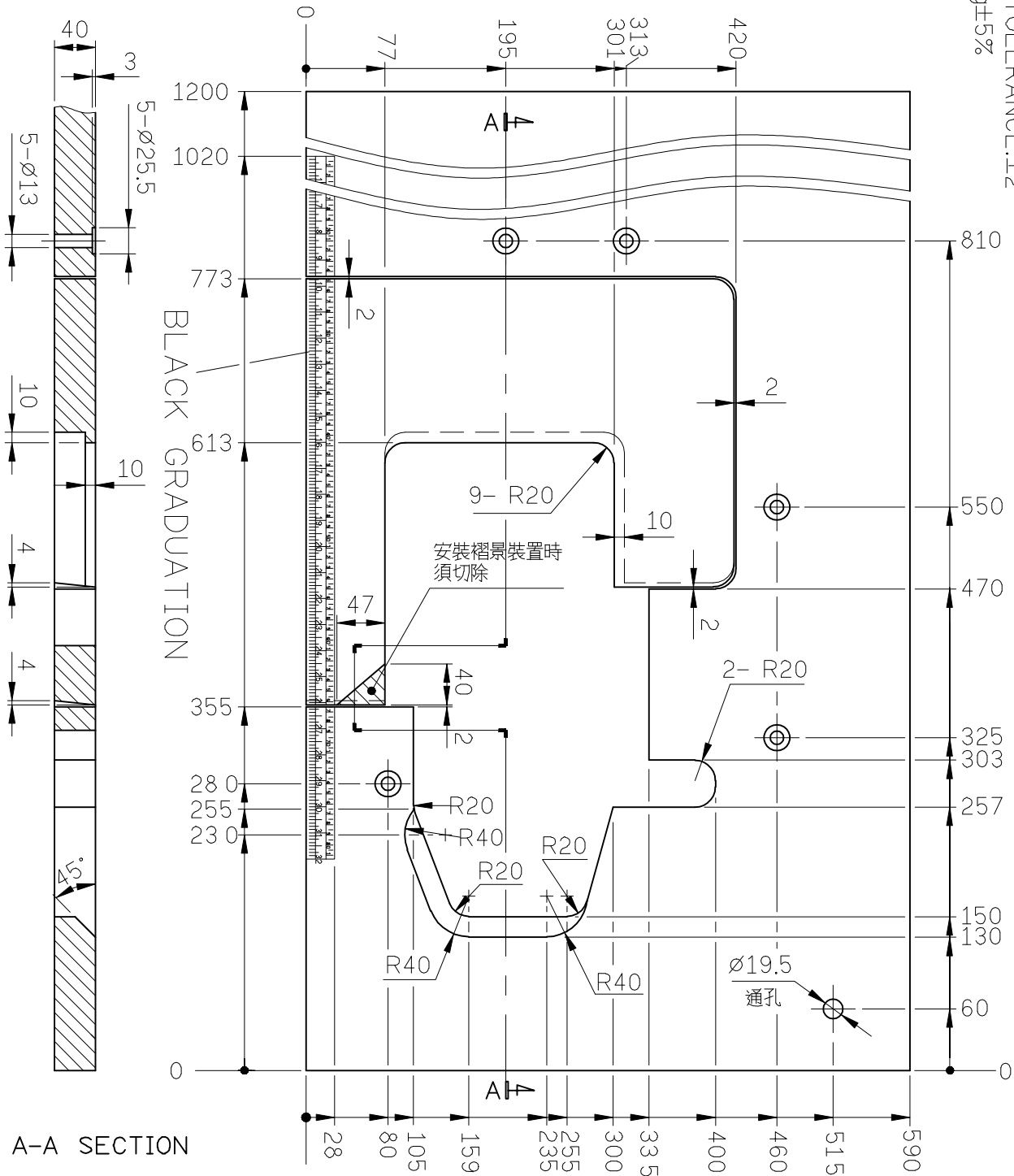
Series  
**700K/988**

Item Code  
**700K-T1**

Subclass Remark  
需配TBK (包含TB202 / TB203 / TB204) (需搭 KX201 舊底盤)

Mounting  
Fully-submerged  
Date  
**2012/11/18**

單位 / UNIT : mm  
所有尺寸公差 / TOLERANCE : ±2  
重量 (W) : 12.4kg ±5%



**SIRUBA**TABLE  
CUT - OUT

Series

700K/988  
700L

Item Code

700K-T2

Subclass Remark

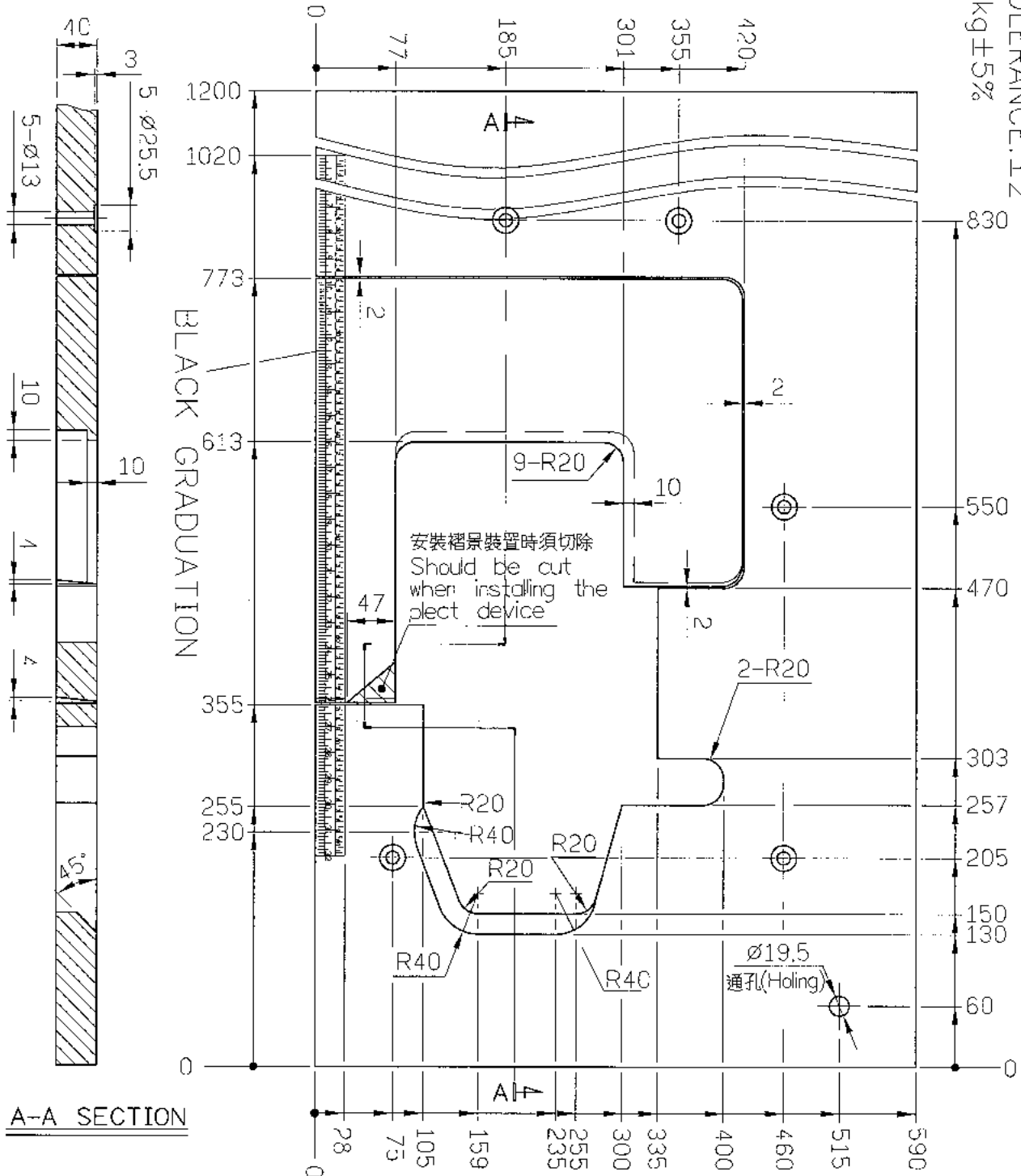
需配TBK-1 (包含TB201)  
Colocate With TBK-1  
(Including TB201)

Mounting

Fully-submerged

Date

2018/08/28

單位 / UNIT: mm  
所有尺寸公差 / TOLERANCE: ±2  
重量 (W): 12.4kg ±5%



**SIRUBA**TABLE  
CUT - OUT

Series

700K/988

700L

Item Code

700K-T3

Subclass Remark

For:EC.CT.VT

需配TBK-1(包含TB201)

Collocate With

TBK-1(Including TB201)

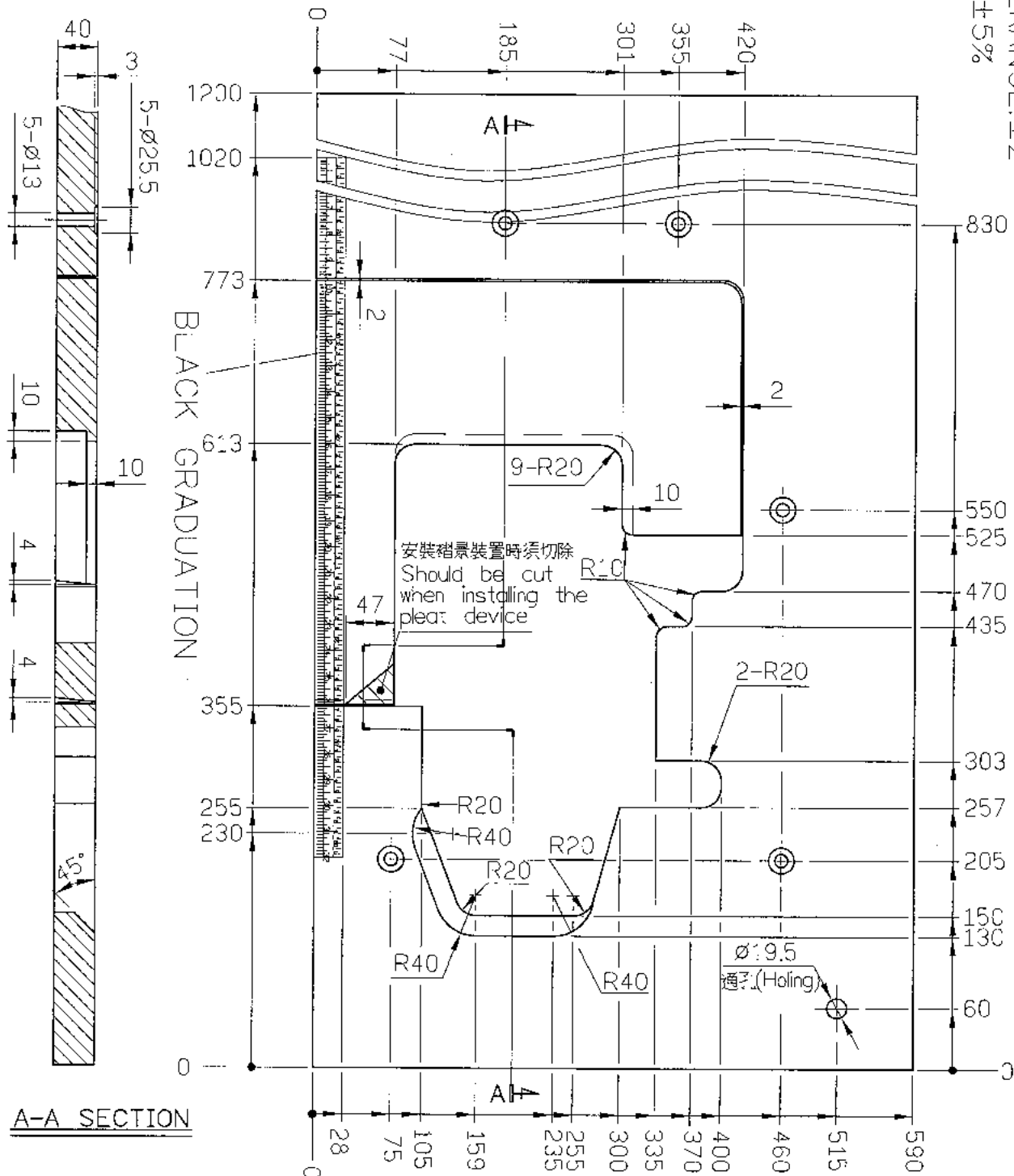
Mounting

Fully-submerged

Date

2018/08/28

單位 / UNIT: mm  
 所有尺寸公差 / TOLERANCE: ±1.2  
 重量 (W): 12.4kg ±5%



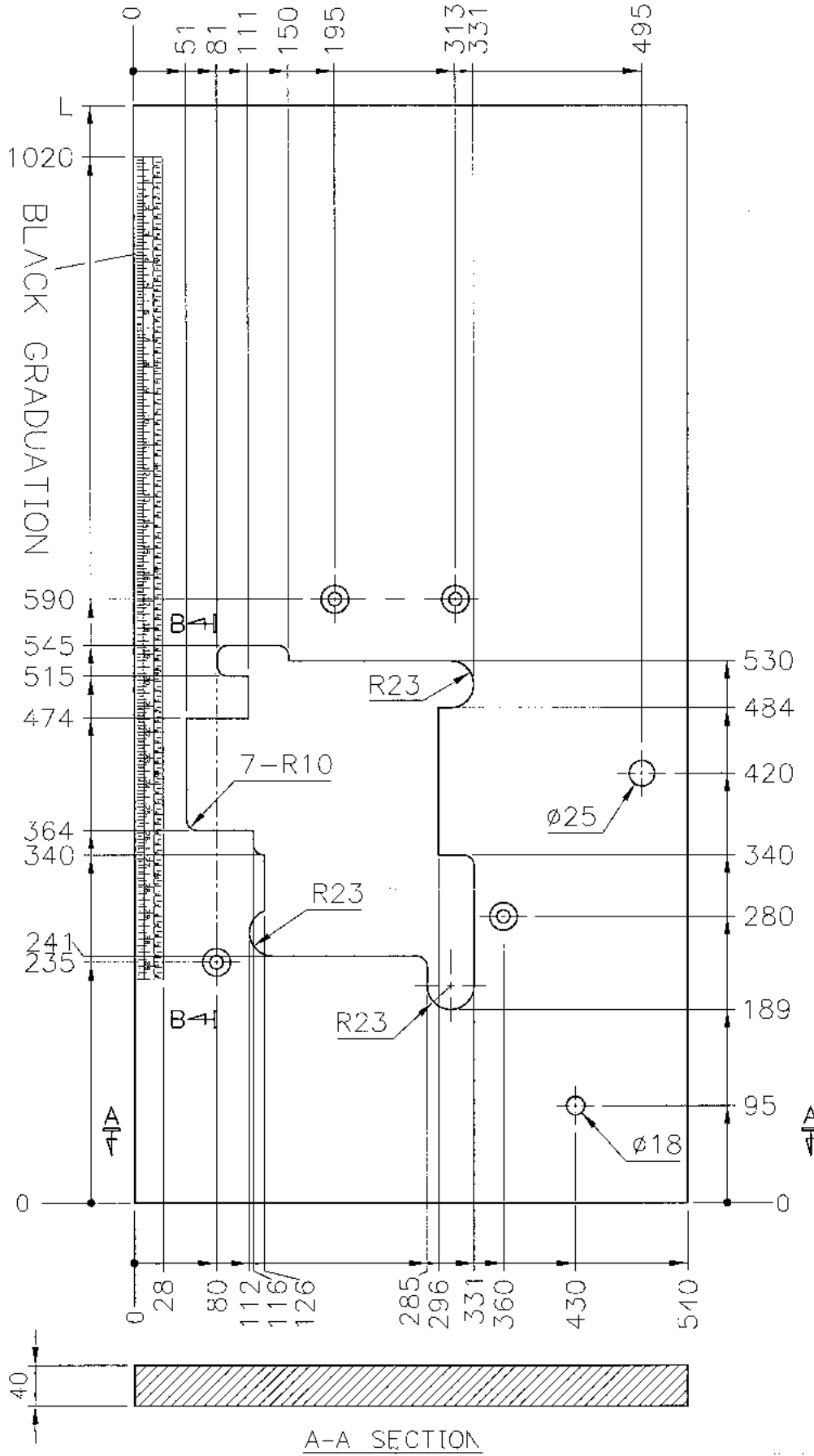
**SIRUBA**  
TABLE  
CUT - OUT

Series  
**700K  
700LD**

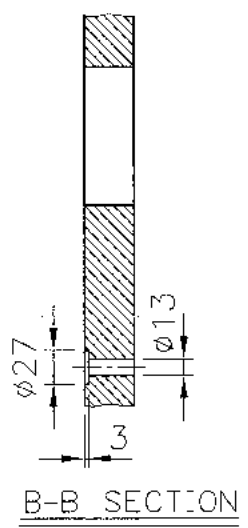
Item Code  
**700K-T4**

Subclass Remark  
**FOR BKF**

Mounting  
Semi-submerged  
Date  
2018/08/28



單位 / UNIT: mm  
所有尺寸公差 / TOLERANCE: ±2  
長度 (L): 1200  
重量 (W): 11.5kg ± 5%



A-A SECTION

**SIRUBA**TABLE  
CUT - OUT

Series

700K/988  
700L

Item Code

TB201

Subclass Remark

Mounting

Fully-submerged  
Fixed Table

Date

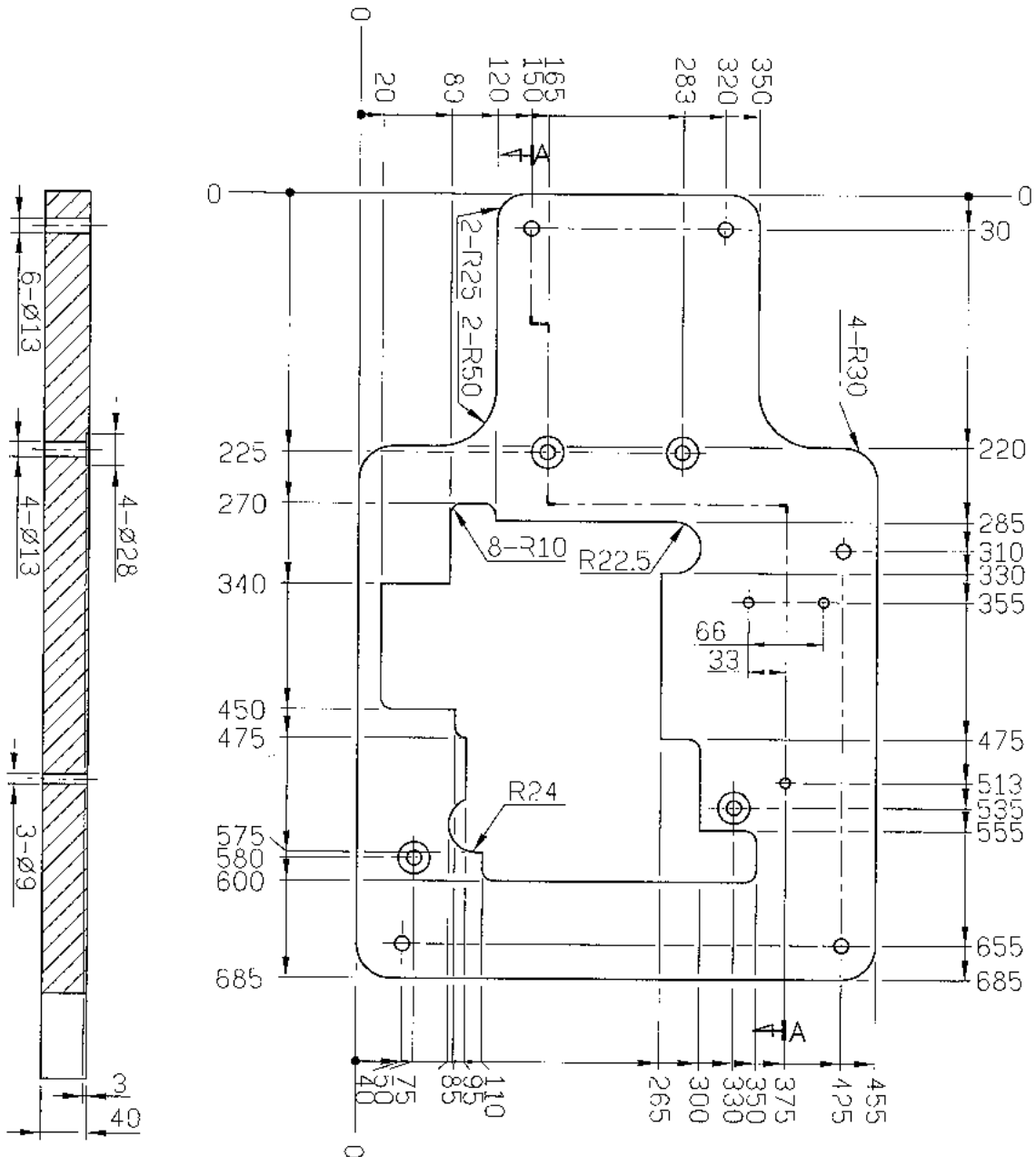
2018/08/28

單位/UNIT:mm

所有尺寸公差/DIFFERENCE:±2

重量(W):4.25kg±5%

全封邊灰格紋光塑面台板/Plastic Table With All Sides Sealed With Gray Plaid

A-A SECTION

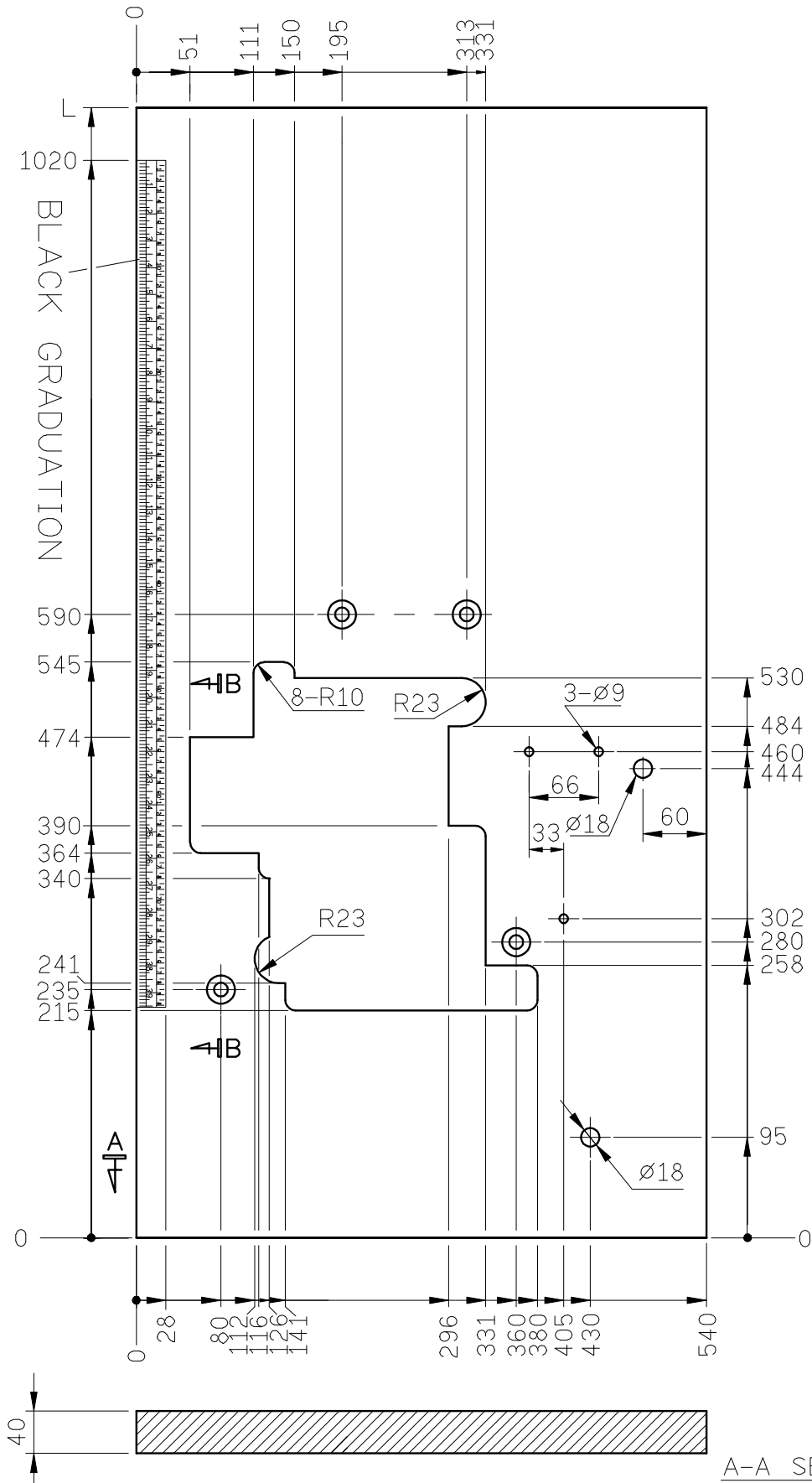
**SIRUBA**  
TABLE  
CUT - OUT

Series  
**700KD/988D**

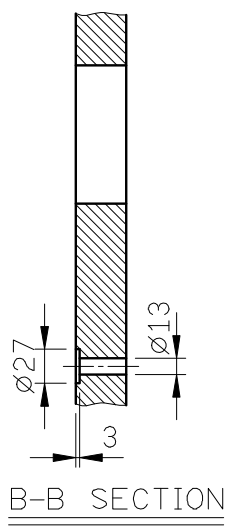
Item Code  
**700KD-T**

Subclass Remark

Mounting  
**Semi-submerged**  
Date  
**2016/05/05**



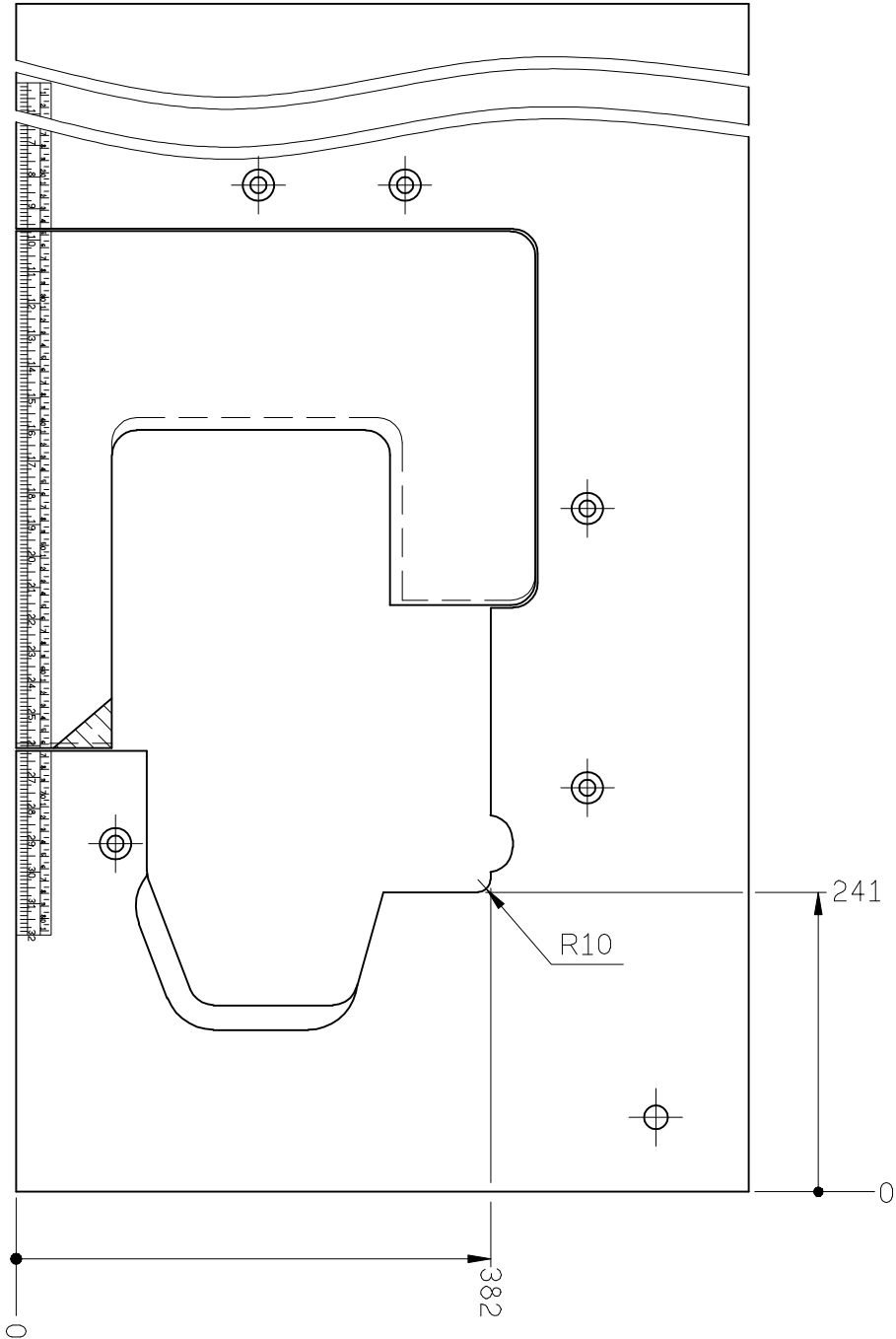
單位 / UNIT: mm  
所有尺寸公差 / TOLERANCE:  $\pm 2$   
長度 (L): 1070 / 重量 (W): 10.3kg  $\pm 5\%$   
長度 (L): 1200 / 重量 (W): 11.3kg  $\pm 5\%$



A-A SECTION

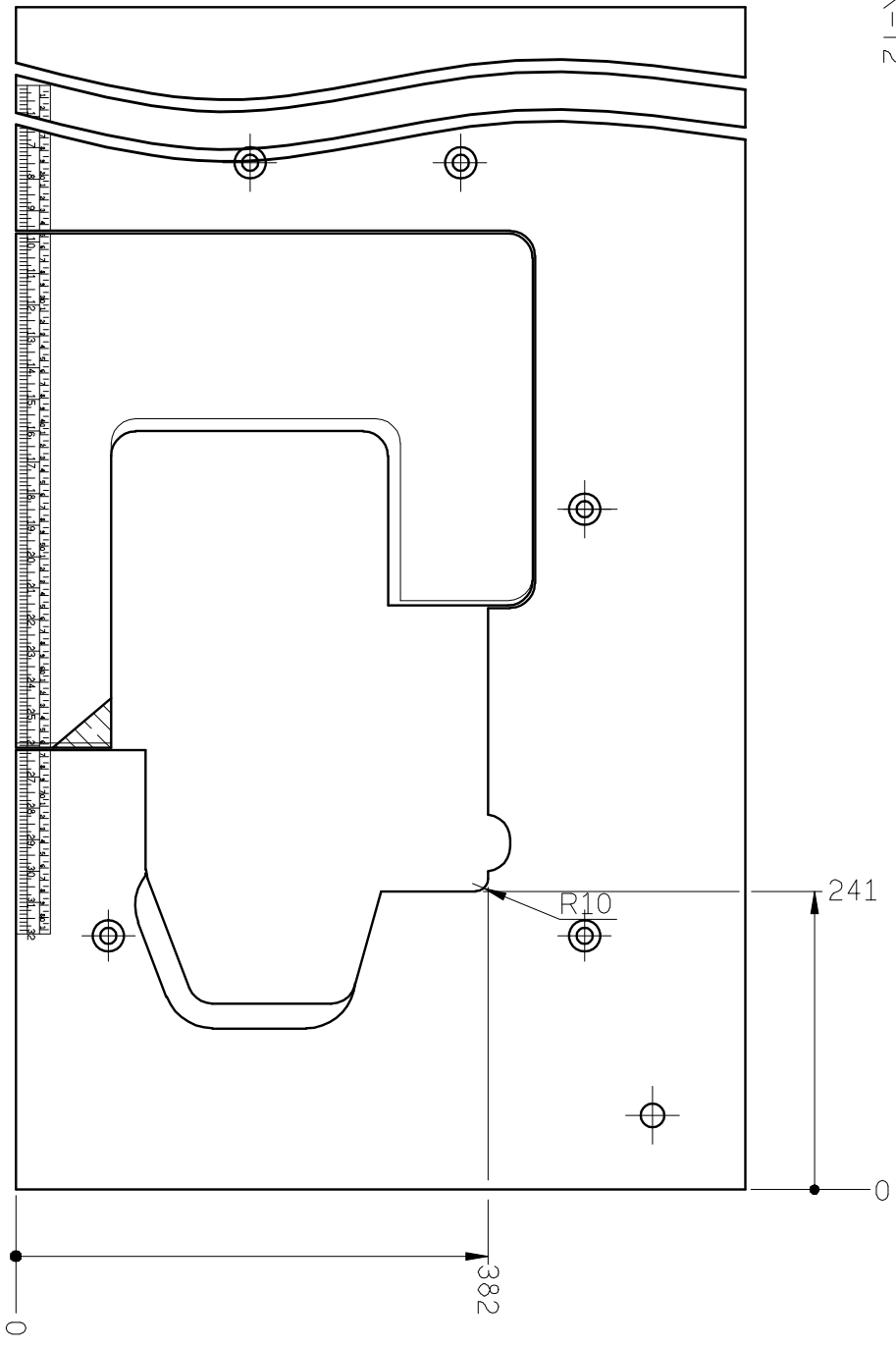
<b>SIRUBA</b> TABLE CUT - OUT	<b>Series</b>	<b>Item Code</b>	<b>Subclass Remark</b>	<b>Mounting</b>
	700KD/988D	700KD-T1	需配TBK(包含TB202/TB203) (需搭KX201舊底盤)	Fully-submerged
				Date
				2012/11/18

單位 / UNIT : mm  
 所有尺寸公差 / TOLERANCE : ±2  
 重量 (W) : 12.2kg±5%  
 其餘尺寸同 700K-T1



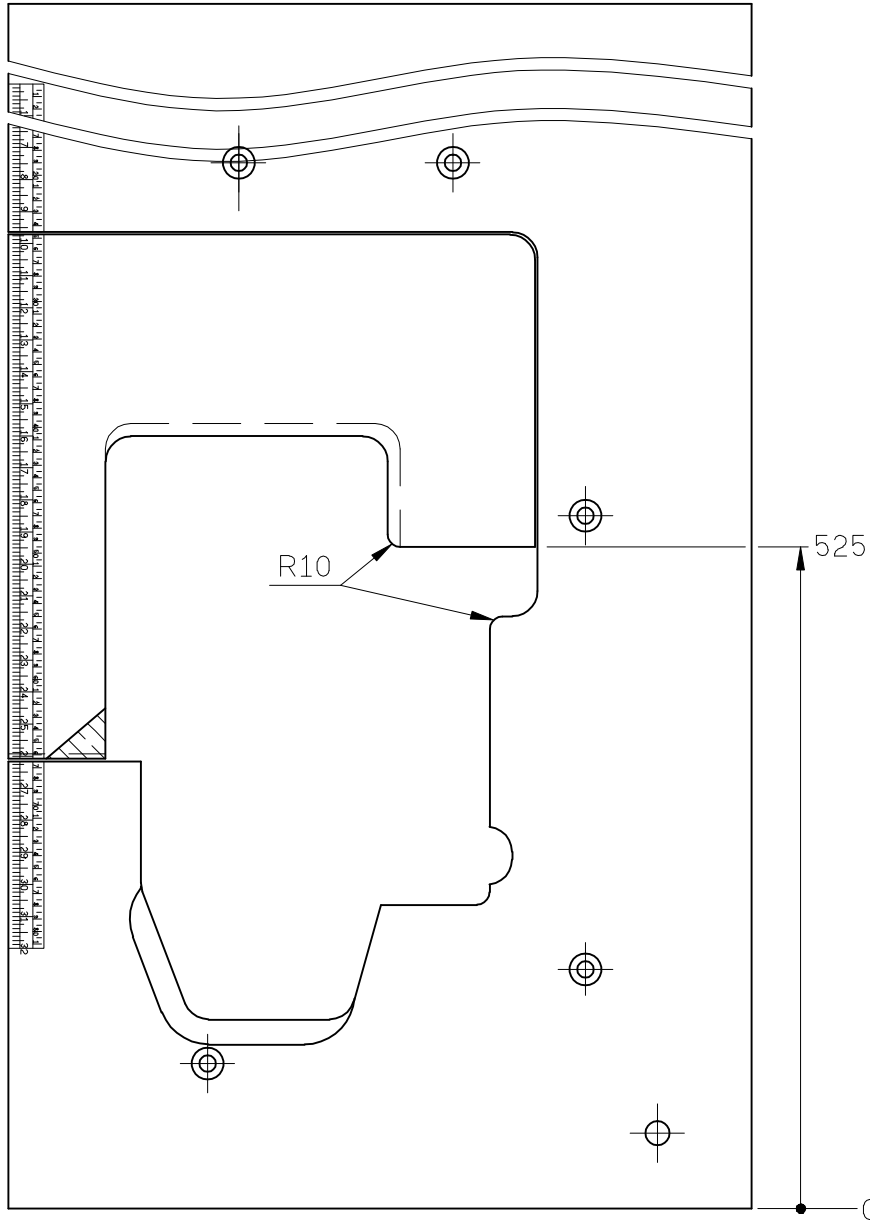
<b>SIRUBA</b> TABLE CUT - OUT	<b>Series</b>	<b>Item Code</b>	<b>Subclass Remark</b>	<b>Mounting</b>
	700KD/988D	700KD-T2	需配TBKD-1(包含TB201D)	<b>Fully-submerged</b>
				<b>Date</b> 2016/05/05

單位 / UNIT : mm  
 FOR 700KD / 988D  
 所有尺寸公差 / TOLERANCE : ±2  
 重量 (W) : 12.2kg ± 5%  
 其餘尺寸同 700K-T2



<b>SIRUBA</b> TABLE CUT - OUT	Series	Item Code	Subclass Remark	Mounting
	700KD/988D	700KD-T3	For: FLP、EC、CT、VT 需配TBKD-1(包含TB201D)	Fully-submerged
				Date
				2012/11/18

單位 / UNIT : mm  
 FOR 700KD / 988D  
 所有尺寸公差 / TOLERANCE : ±2  
 重量 (W) : 11.9kg ±5%  
 其餘尺寸同 700KD-T2



**SIRUBA**

TABLE  
CUT - OUT

Series

700K/988/700KT  
700L/700LD

Item Code

700LD-T

Subclass Remark

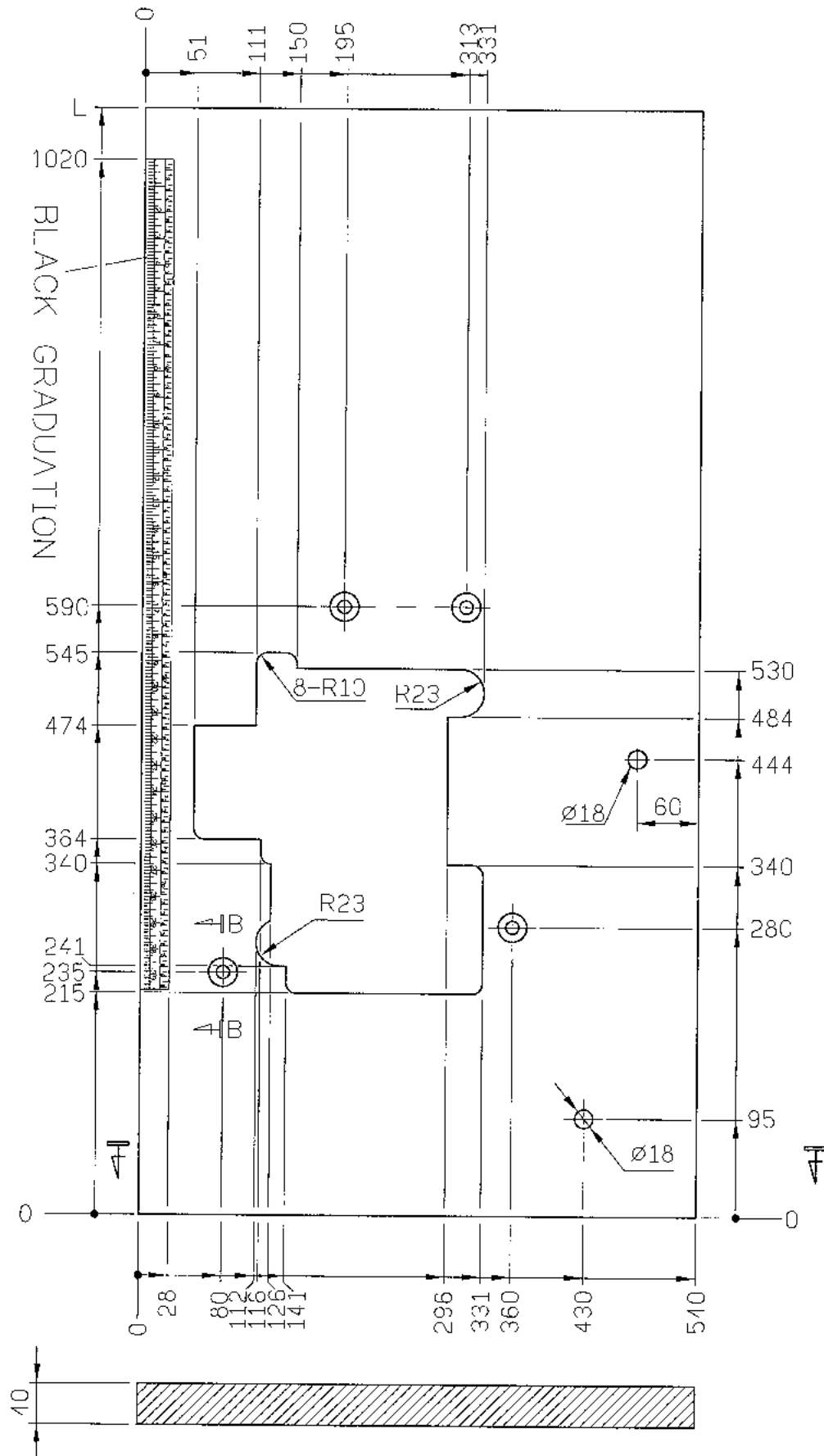
FOR 直驅用

Mounting

Semi-submerged

Date

2018/08/31



單位 / UNIT: mm  
所有尺寸公差 / TOLERANCE:  $\pm 2$   
長度 (L): 1200  
重量 (W): 11.5Kg  $\pm 5\%$

