

SIRUBA

PARTS LIST

Series

700K/700KD
988/988D

Parts Group

BK-1K

Subclass / Remark

Page

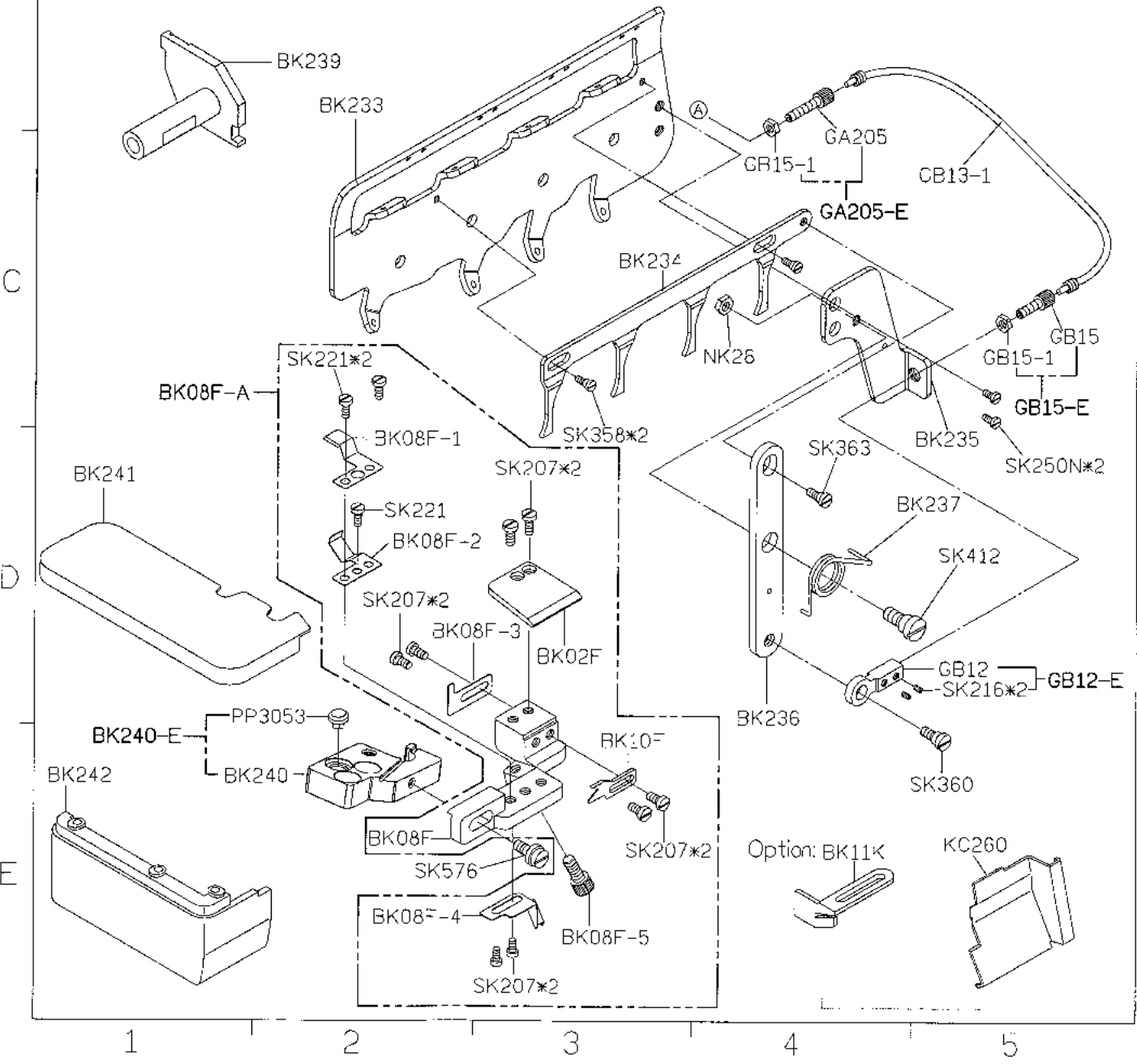
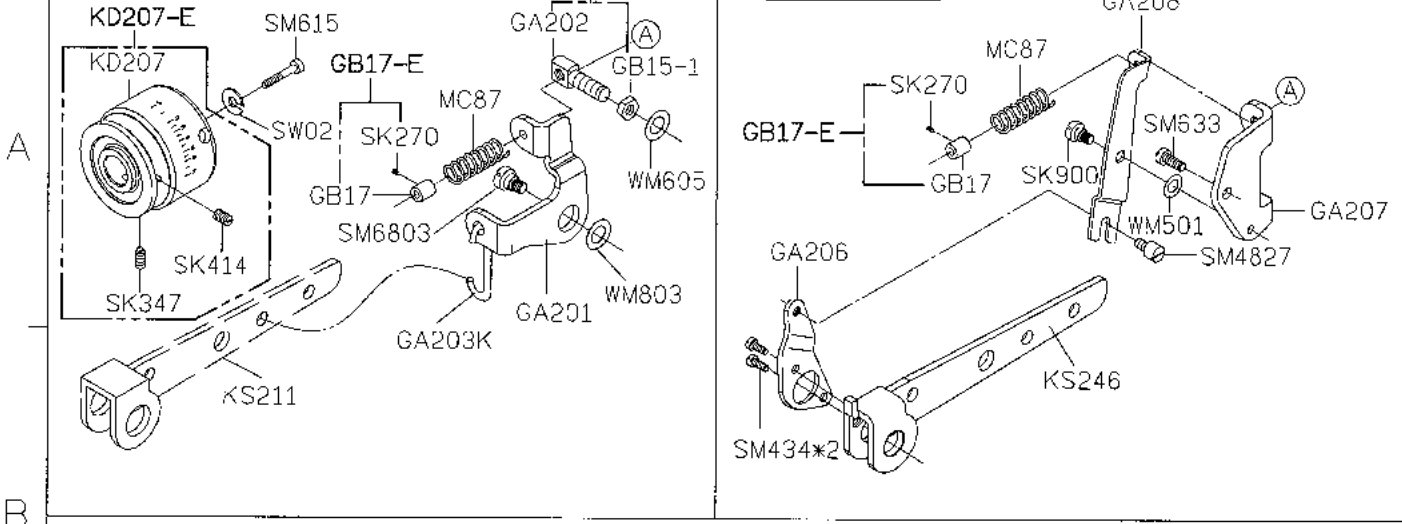
1/1

Date

2018/07/02

FOR 700K/988

FOR 700KD/988D



SIRUBA

PARTS LIST

Series

700K/988^{2nd}

Parts Group

BK-1K1

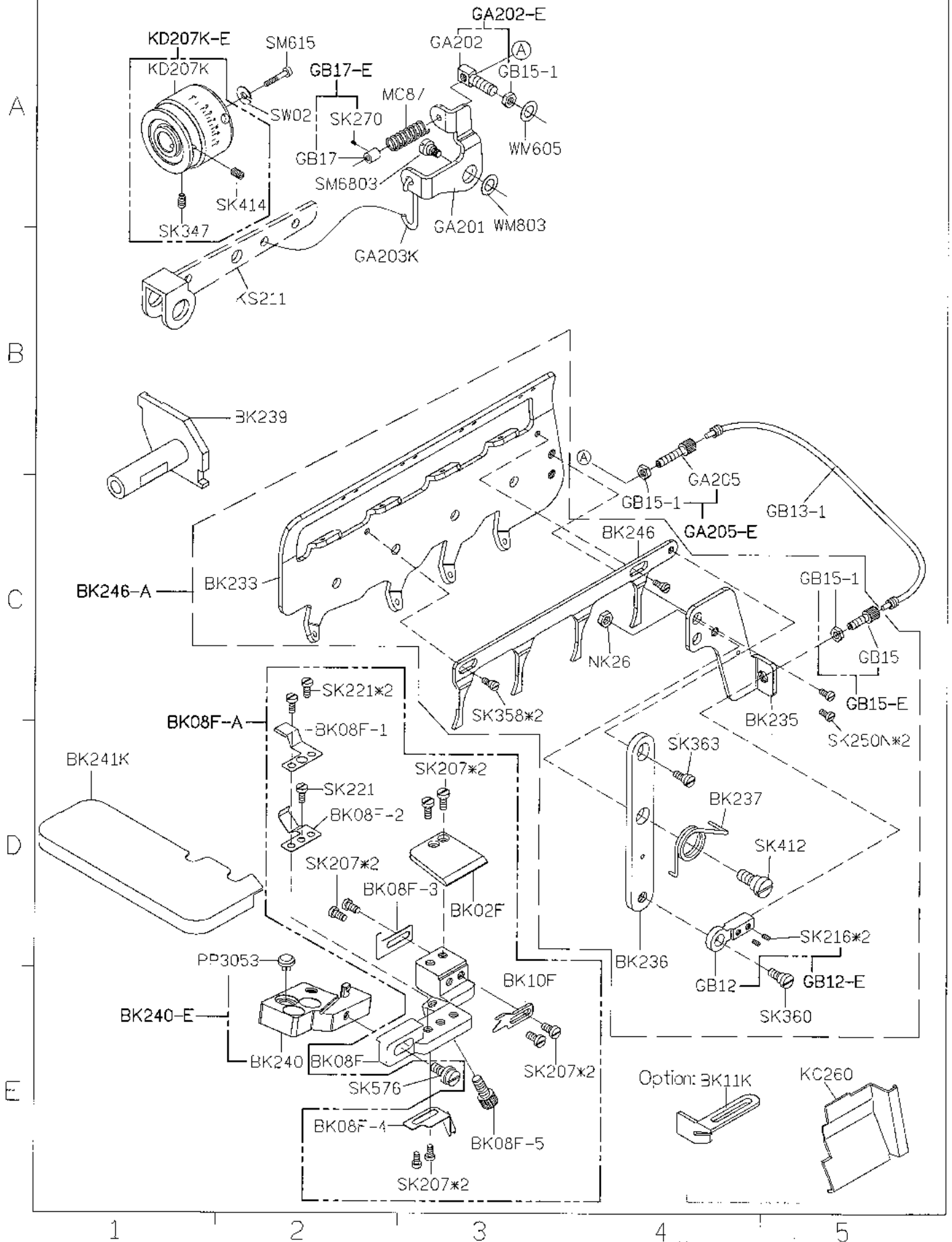
Subclass / Remark

Page

1/1

Date

2018/07/02



SIRUBA

PARTS LIST

Series

700K/700KD
988/988D

Parts Group

BK-K

Subclass / Remark

Page

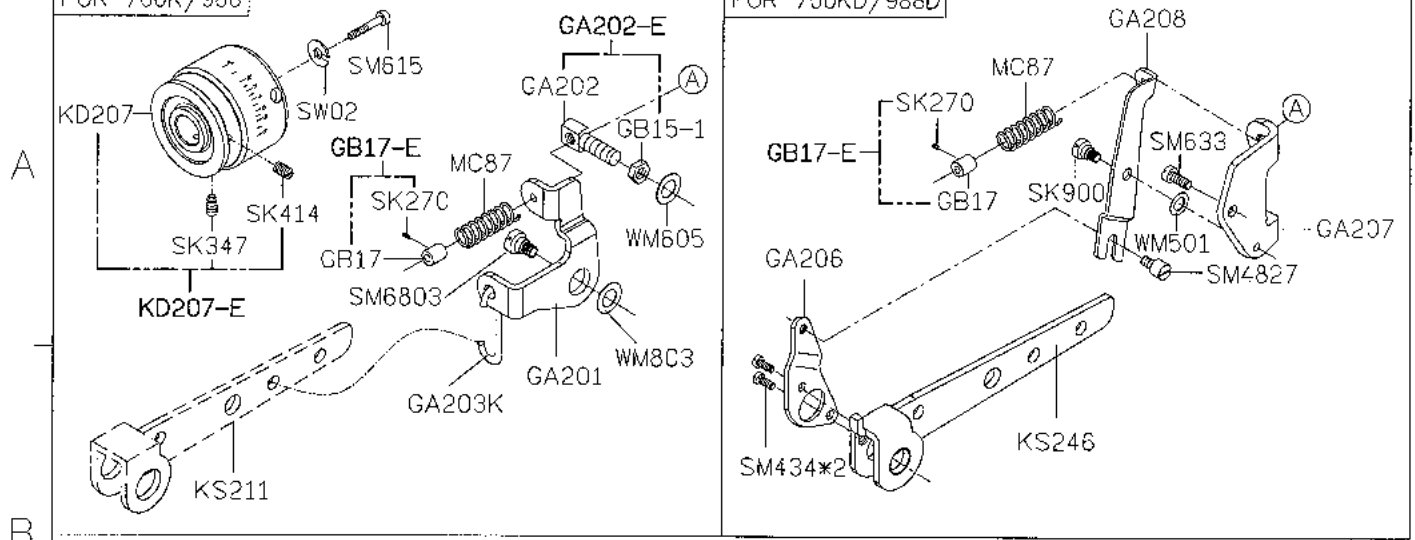
1/1

Date

2018/07/02

FOR 700K/988

FOR 700KD/988D



B

C

D

E

1

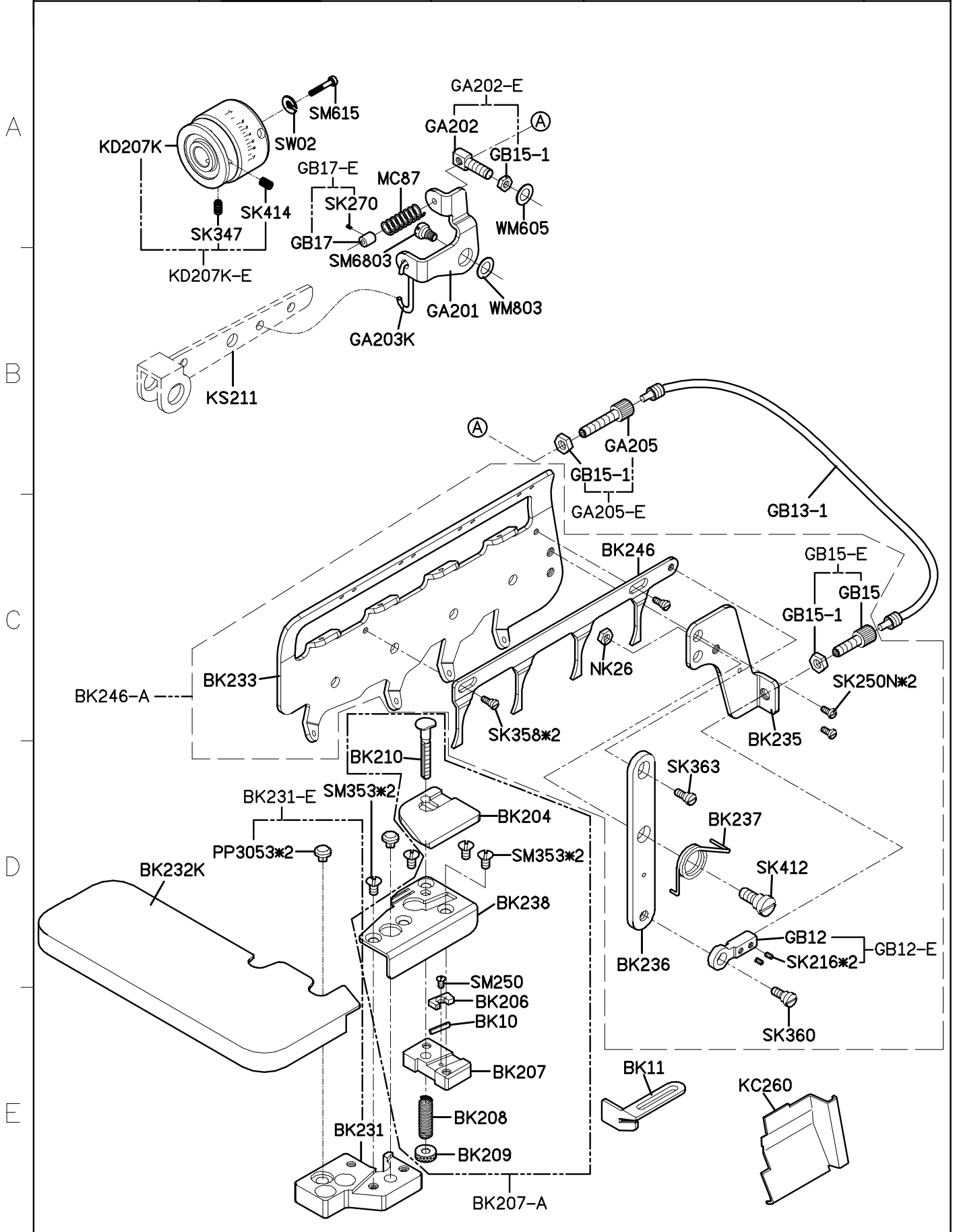
2

3

4

5

| SIRUBA PARTS LIST | Series | Parts Group | Subclass / Remark | Page |
|----------------------|-------------------------|-------------|-------------------|------------|
| | 700K/988 ^{2nd} | BK-K1 | | 1/1 |
| | | | | Date |
| | | | | 2016/08/29 |



1

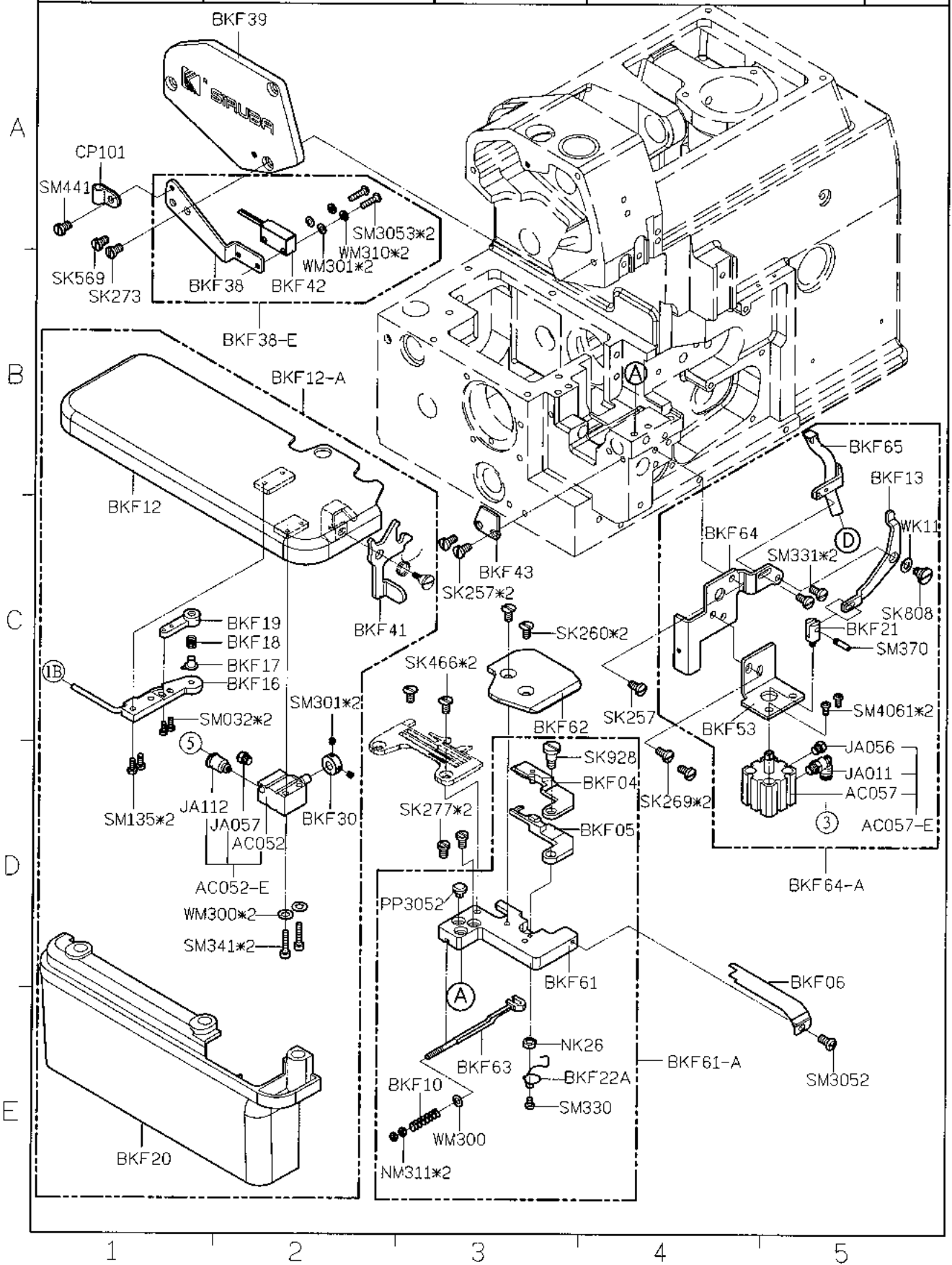
2

3

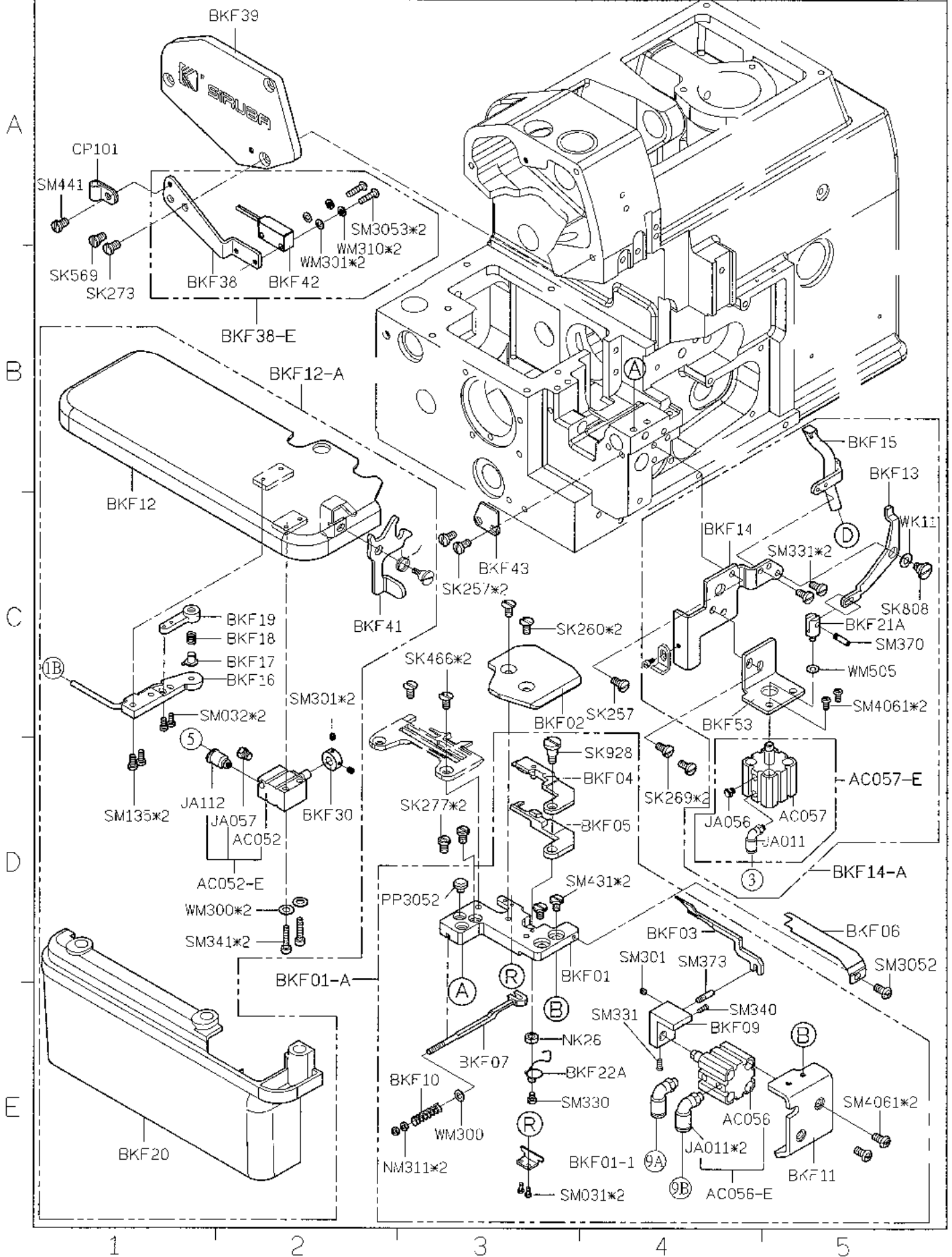
4

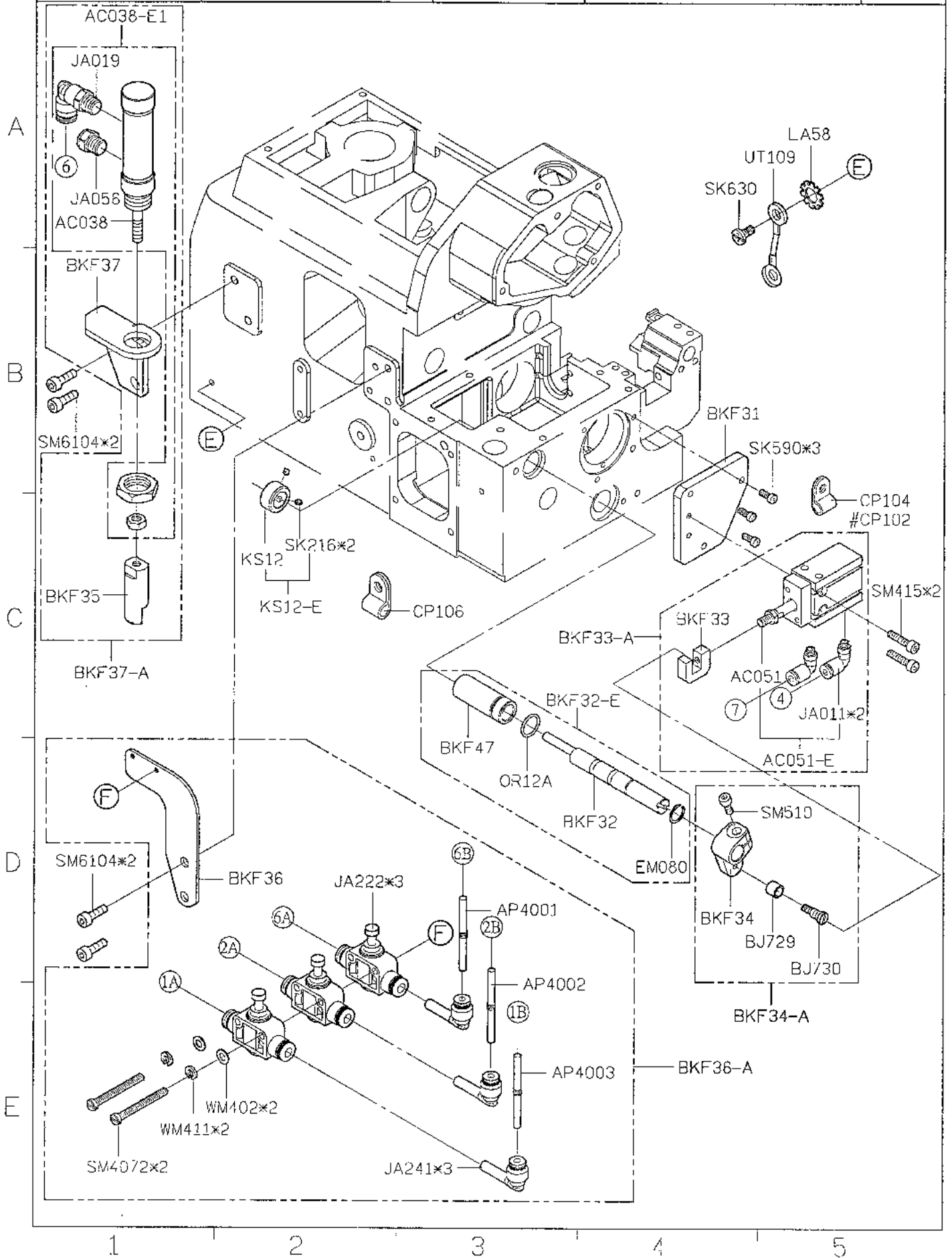
5

| | | | | |
|-----------------------------|-------------|-------------|-------------------|------------|
| SIRUBA PARTS LIST | Series | Parts Group | Subclass / Remark | Page |
| | 700K | BKF | For 737K | 1/11 |
| | | | | Date |
| | | | | 2015/10/22 |



| SIRUBA PARTS LIST | Series | Parts Group | Subclass / Remark | Page |
|----------------------|--------|-------------|-------------------|------------|
| | 700K | BKF | For 747K | 2/11 |
| | | | | Date |
| | | | | 2017/07/20 |





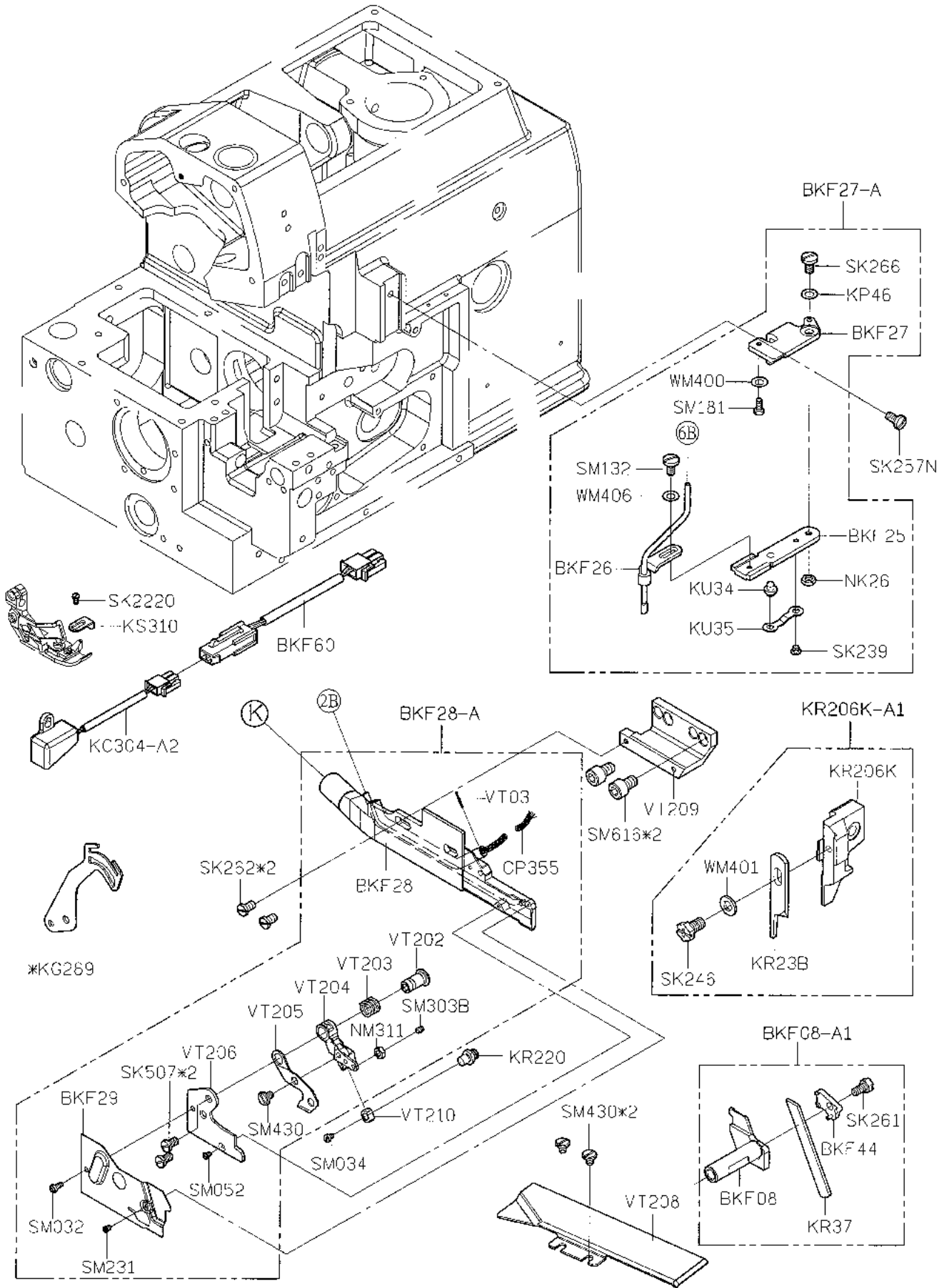
A

B

C

D

E



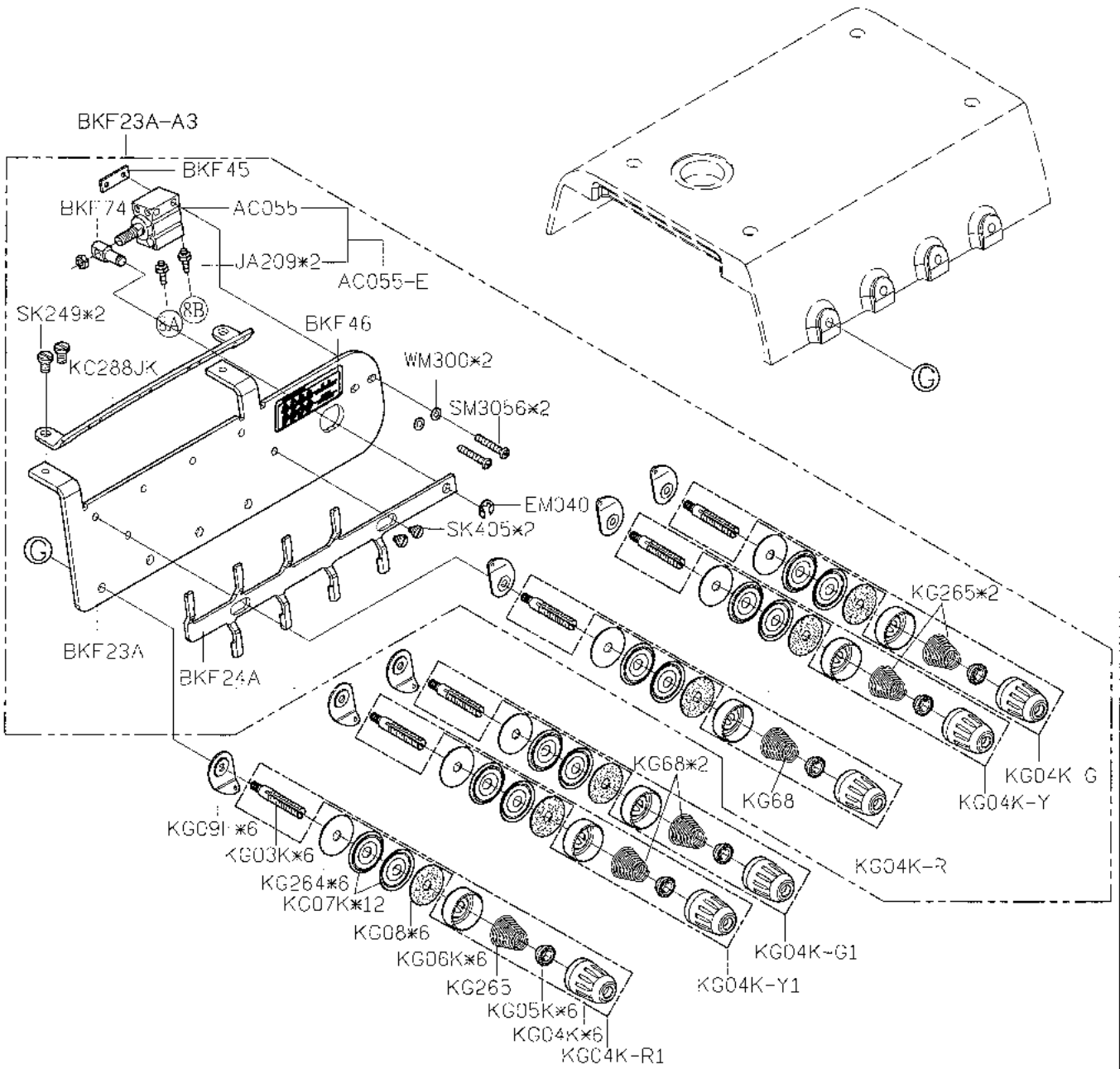
A

B

C

D

E



1

2

3

4

5

| SIRUBA PARTS LIST | Series | Parts Group | Subclass / Remark | Page |
|----------------------|--------|-------------|-------------------|------------|
| | 700K | BKF | For 747K | 6/11 |
| | | | | Date |
| | | | | 2017/10/17 |

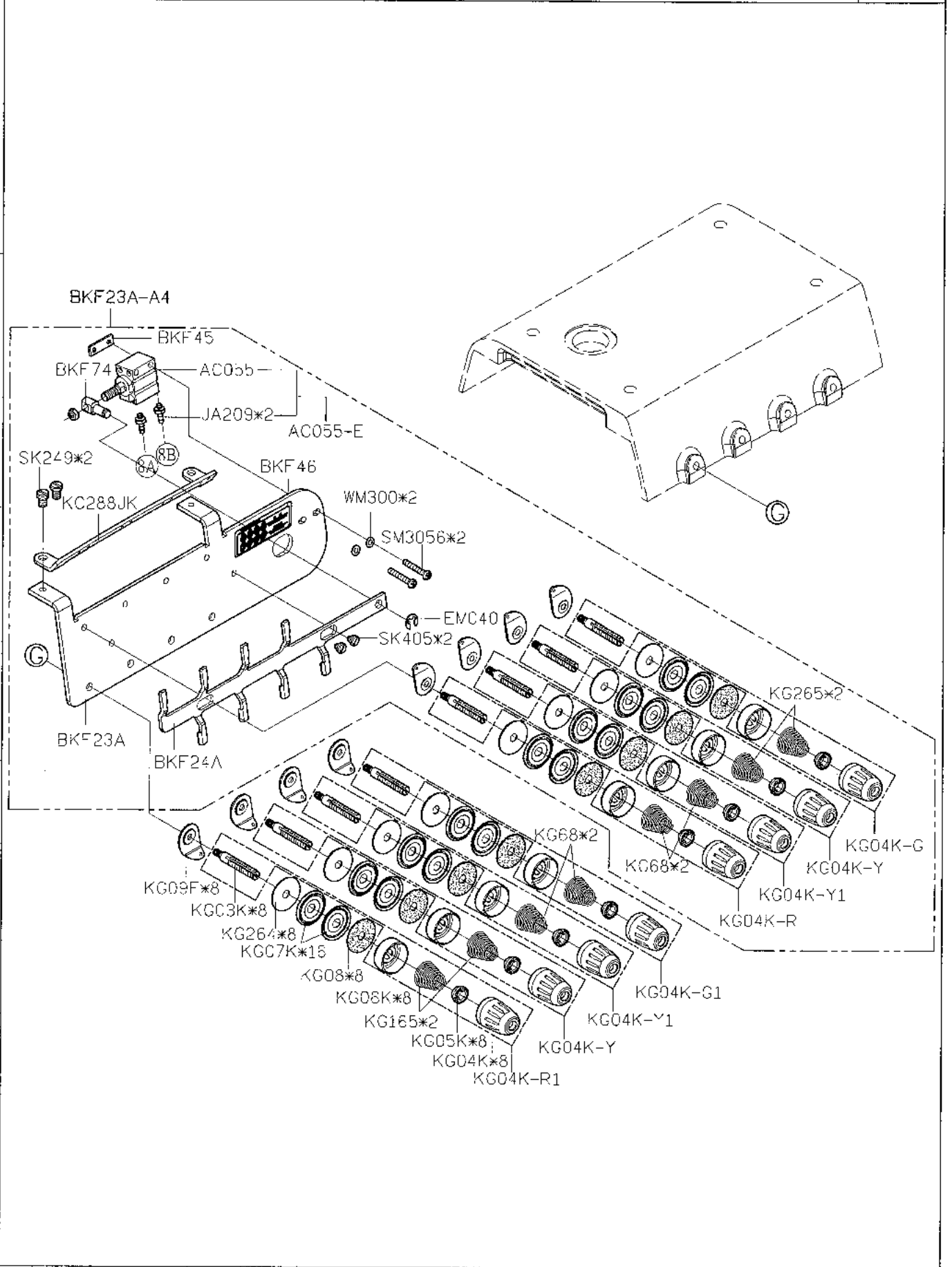
A

B

C

D

E



1

2

3

4

5

SIRUBA

PARTS LIST

Series

700K

Parts Group

BKF

Subclass / Remark

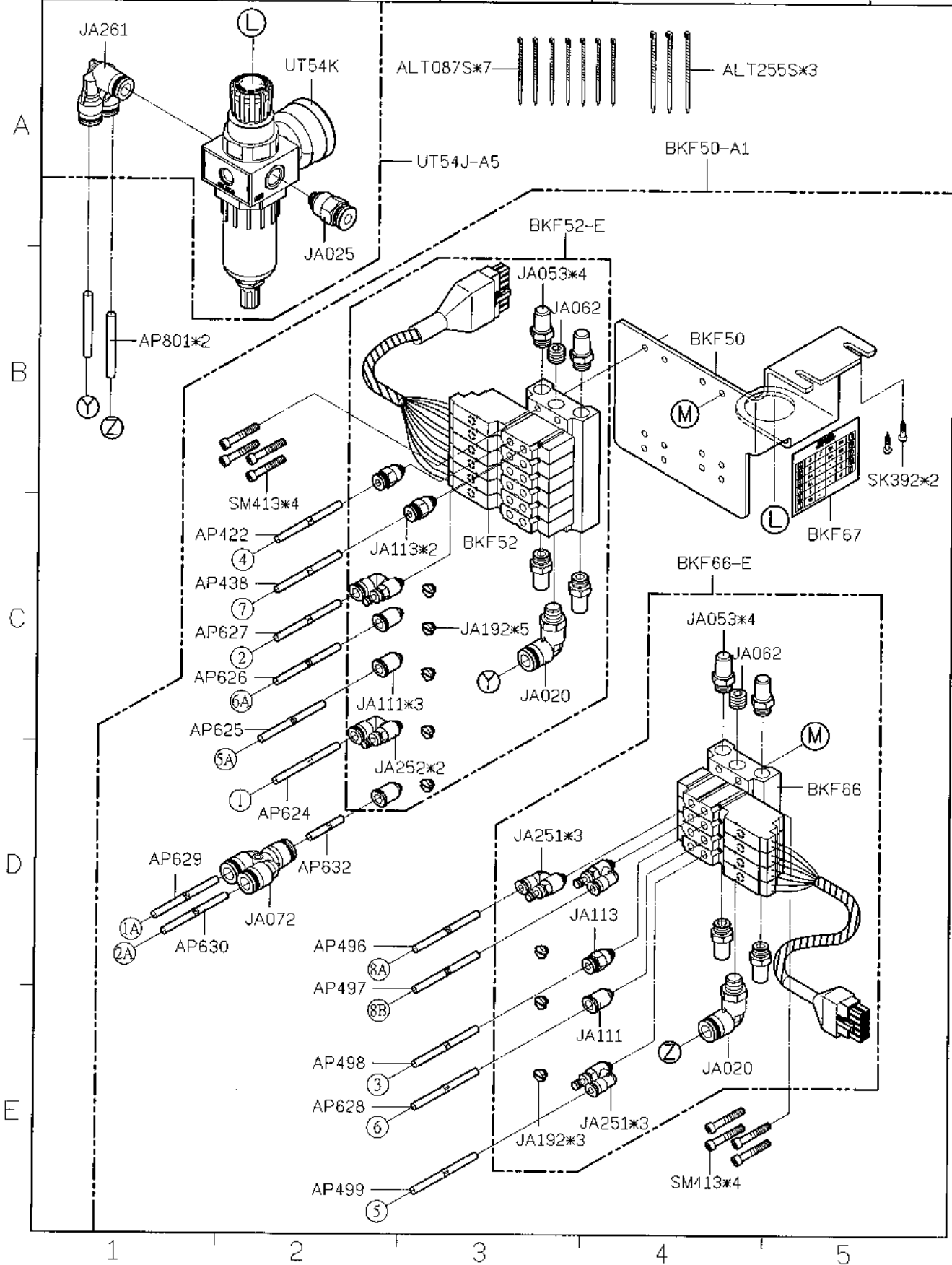
For 737K

Page

7/11

Date

2015/9/9



SIRUBA

PARTS LIST

Series

700K

Parts Group

BKF

Subclass / Remark

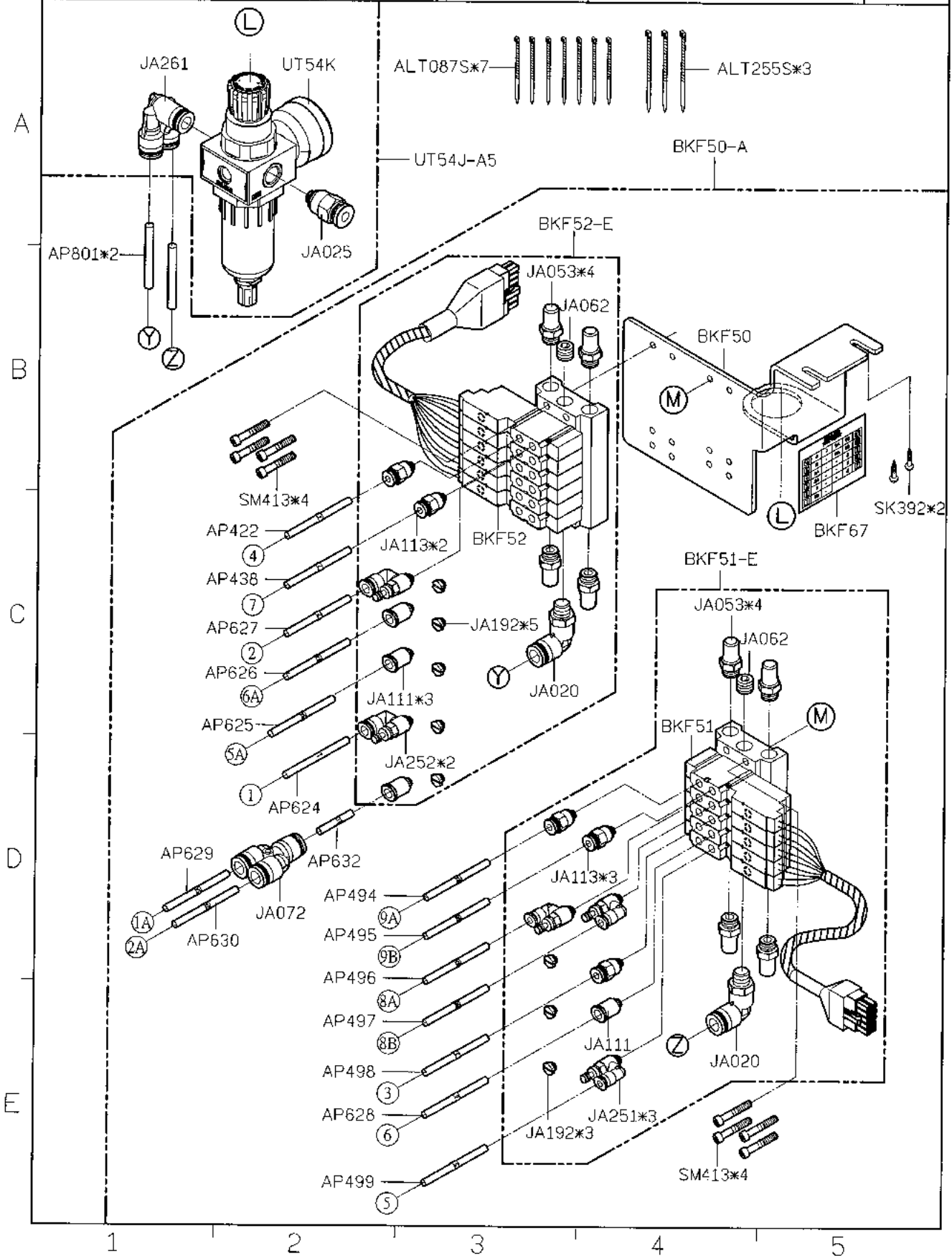
For 747K

Page

8/11

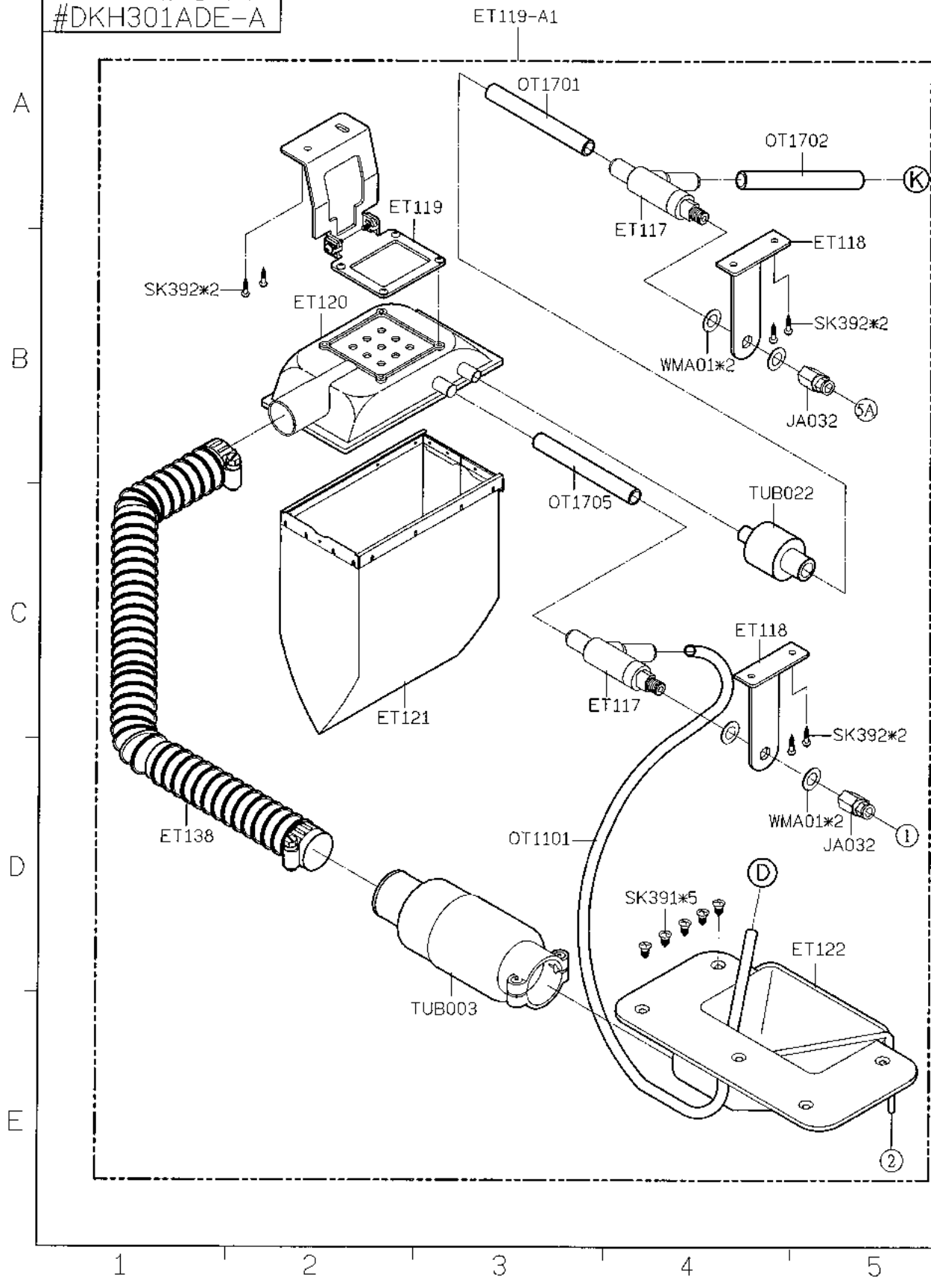
Date

2015/9/9



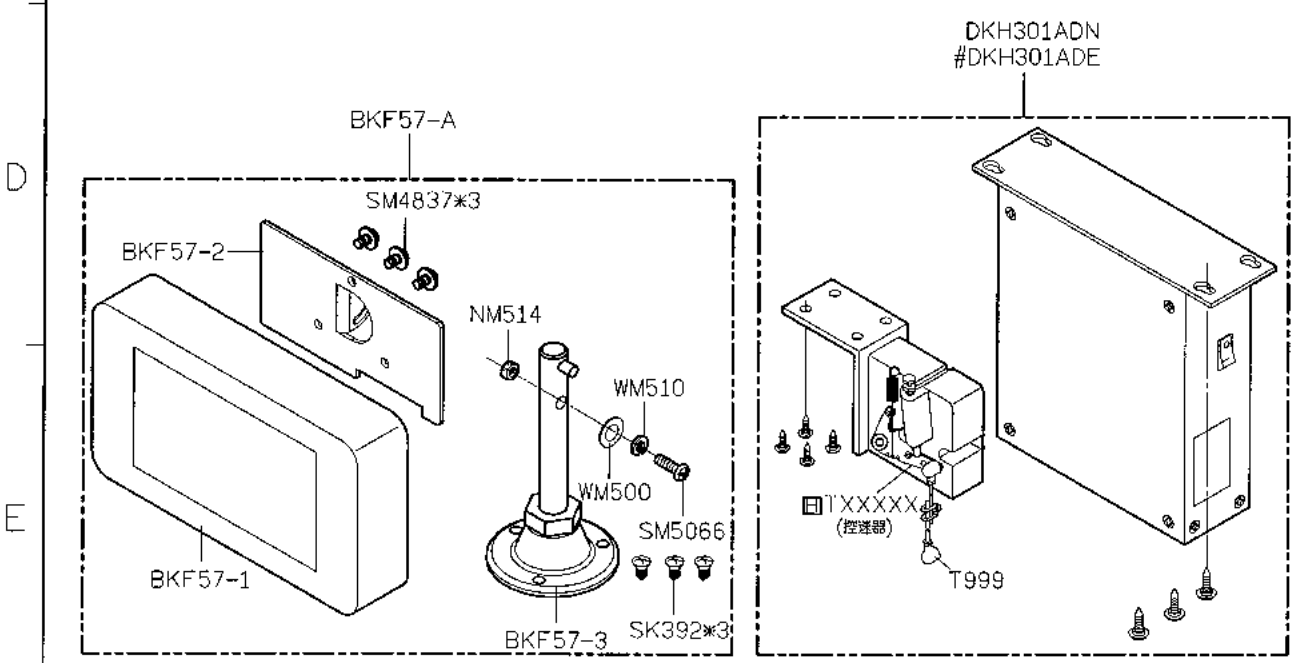
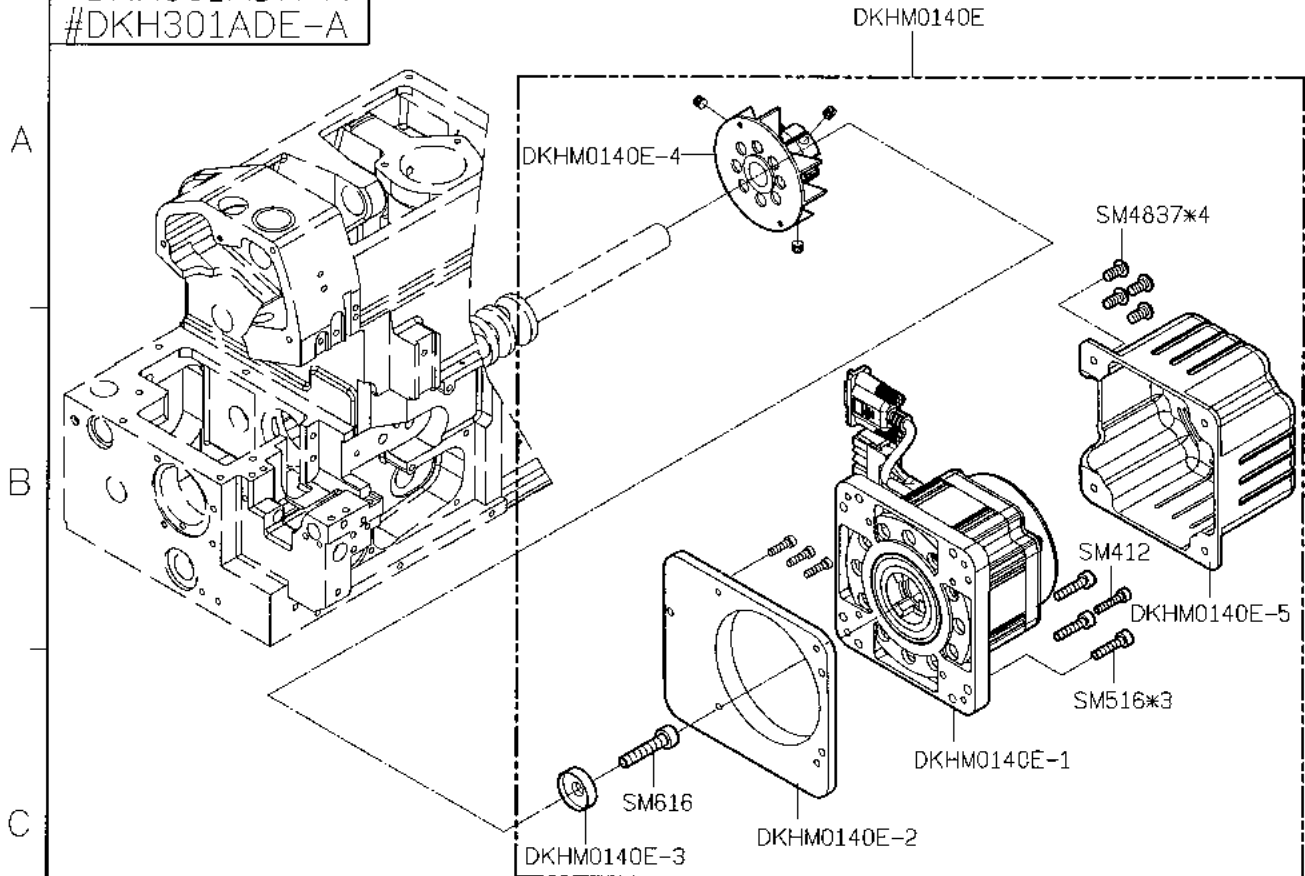
| | | | | |
|-----------------------------|-------------|-------------|-------------------|-----------|
| SIRUBA PARTS LIST | Series | Parts Group | Subclass / Remark | Page |
| | 700K | BKF | | 9/11 |
| | | | | Date |
| | | | | 2016/4/12 |

DKH301.ADN-A
#DKH301ADE-A



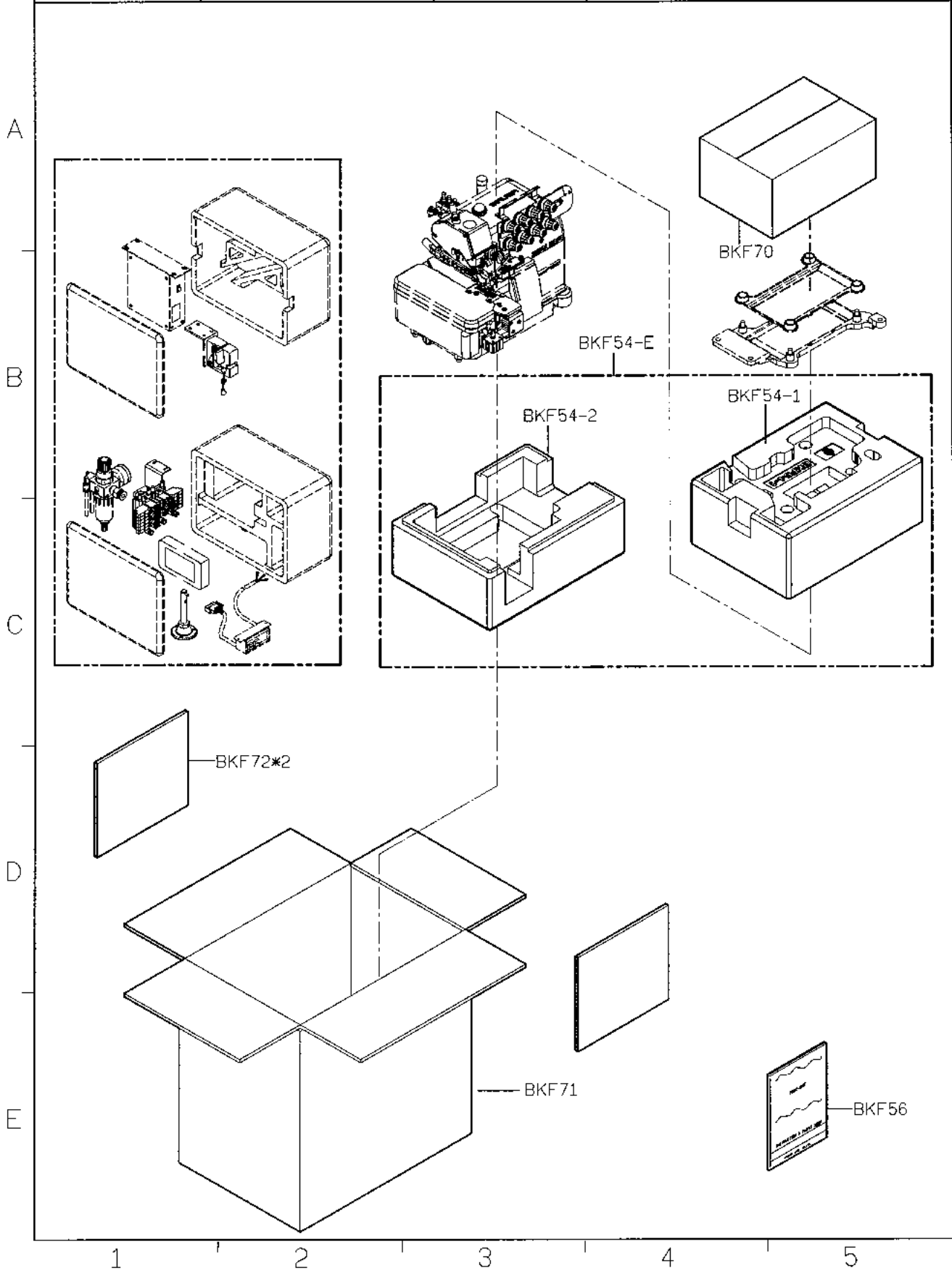
| | | | | |
|-----------------------------|-------------|-------------|-------------------|-----------|
| SIRUBA PARTS LIST | Series | Parts Group | Subclass / Remark | Page |
| | 700K | BKF | #For CE | 10/11 |
| | | | | Date |
| | | | | 2016/4/12 |

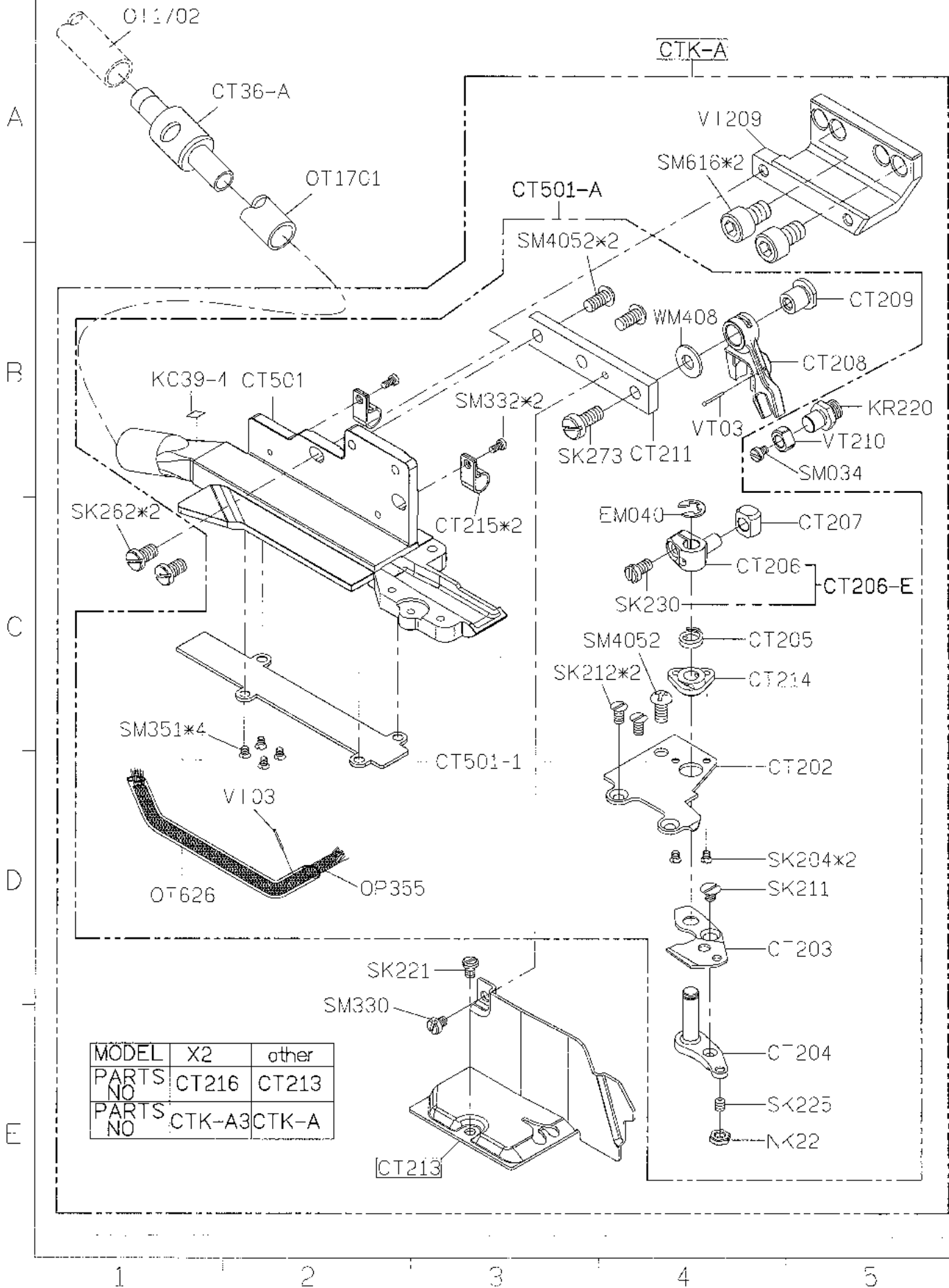
DKH301ADN-A
#DKH301ADE-A

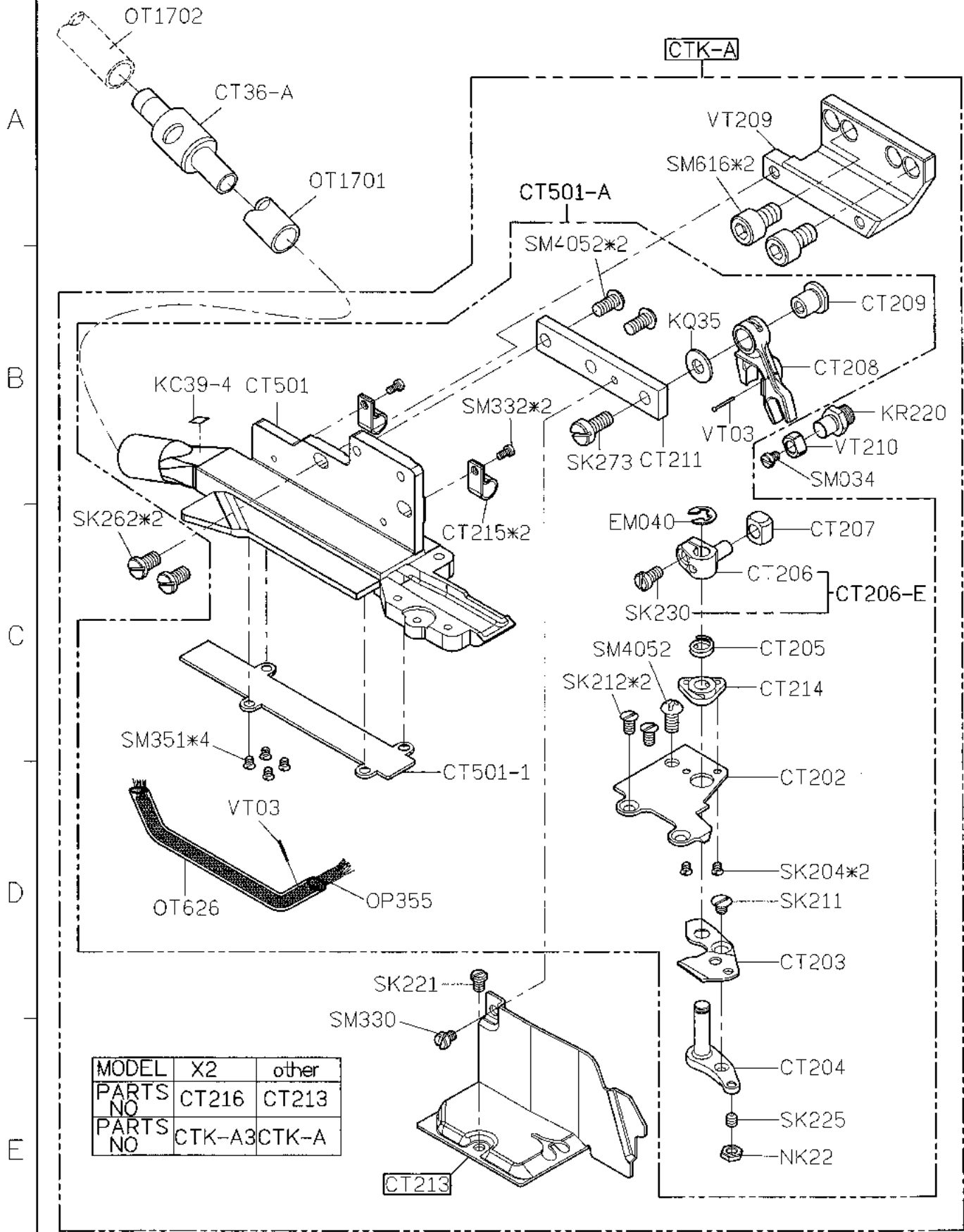


1 2 3 4 5

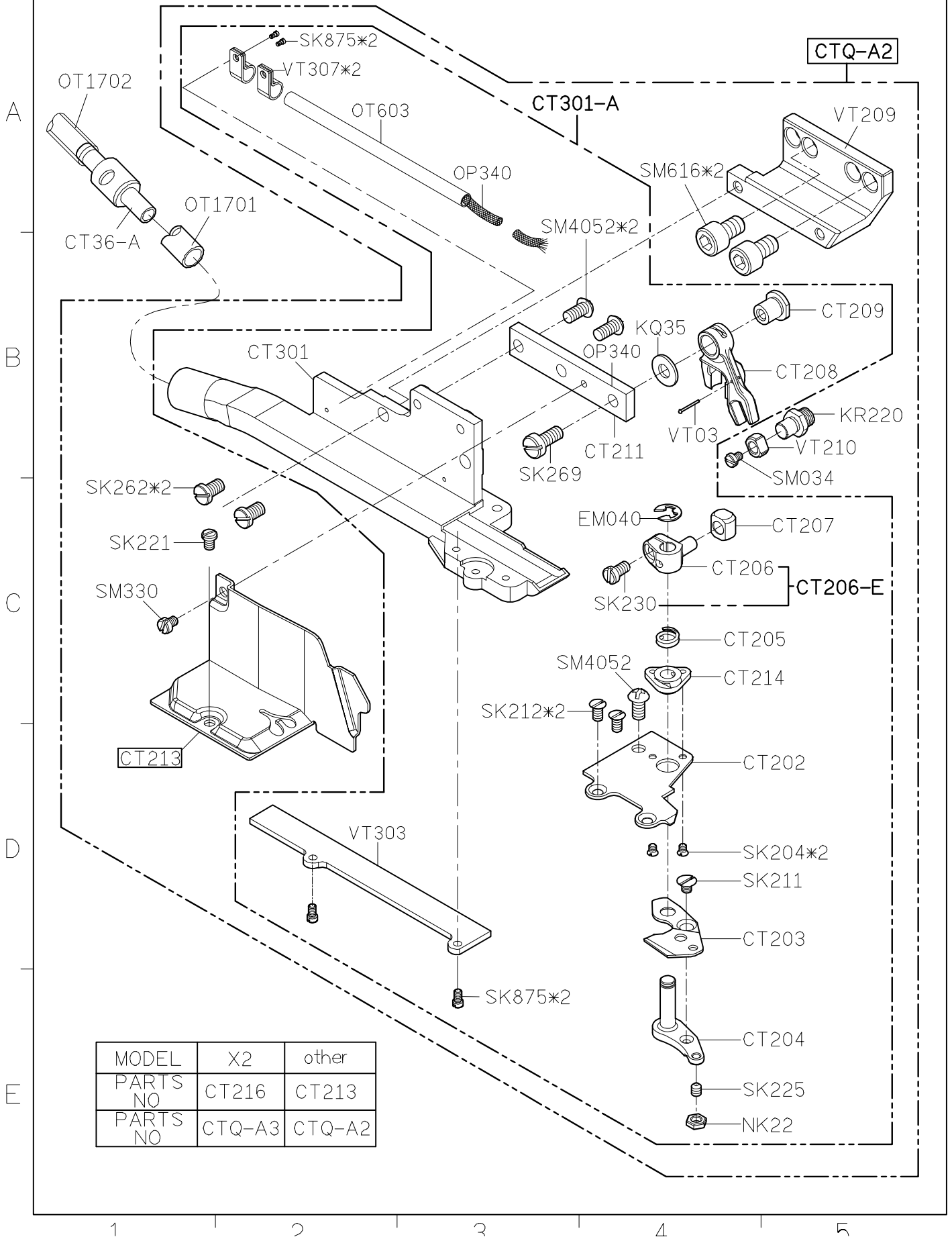
| SIRUBA PARTS LIST | Series | Parts Group | Subclass / Remark | Page |
|----------------------|--------|-------------|-------------------|----------|
| | 700K | BKF | | 11/11 |
| | | | | Date |
| | | | | 2015/9/9 |







| MODEL | X2 | other |
|----------|--------|-------|
| PARTS NO | CT216 | CT213 |
| PARTS NO | CTK-A3 | CTK-A |



| SIRUBA PARTS LIST | Series | Parts Group | Subclass / Remark | Page |
|----------------------|----------|-------------|--|---------------------------|
| | 700K/988 | DKF1 | 700K/988 外掛直驅馬達 (滬龍) 700K/988 Direct-Drive Servo Motor(HMC). *Only use for 988 Type. | 1/1 Date 2015/03/31 |

DKF1-550-A

DKF1-550

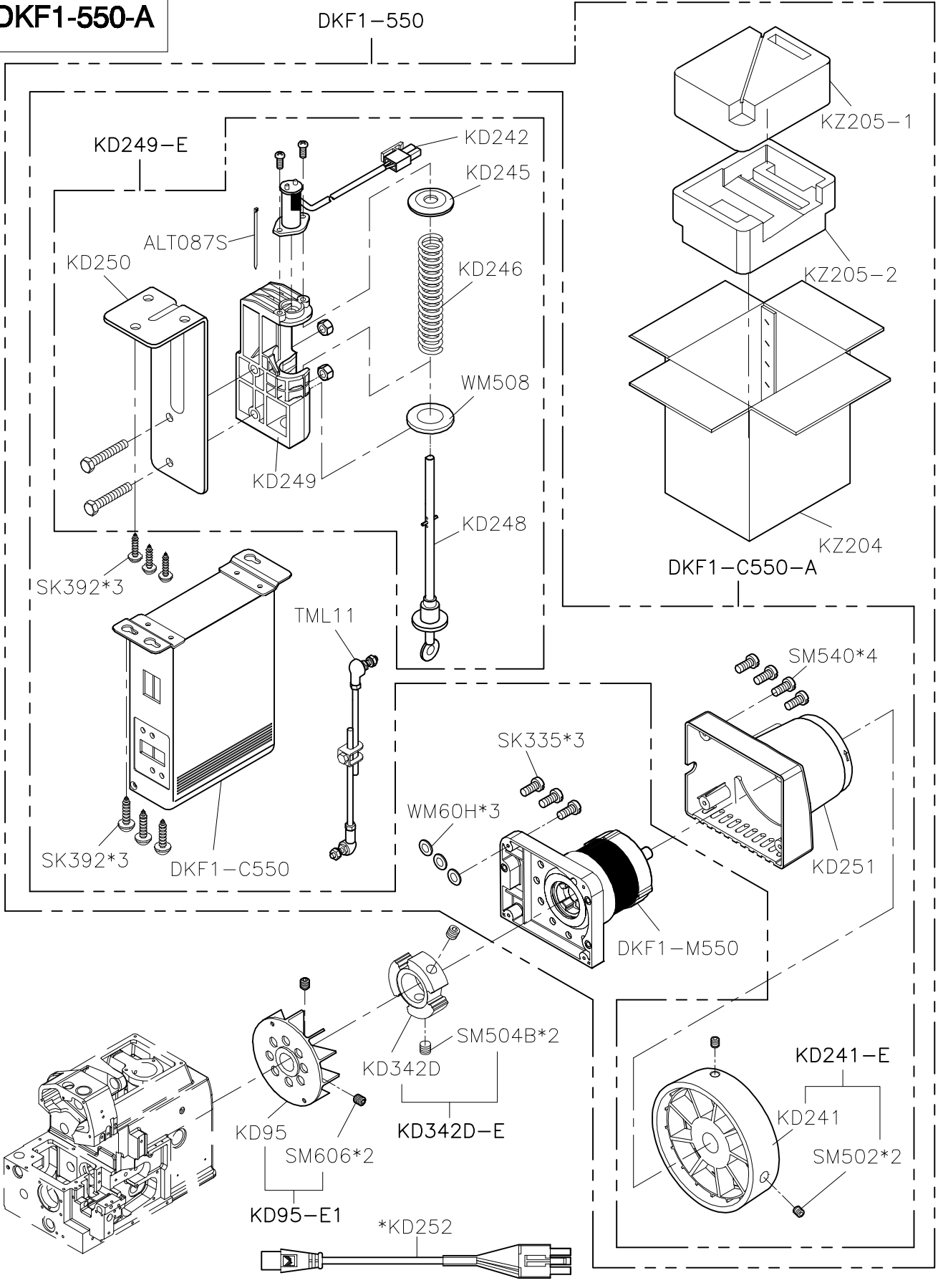
A

B

C

D

E



1

2

3

4

5

| | | | | |
|-----------------------------|------------------------|-------------|---|------|
| SIRUBA PARTS LIST | Series | Parts Group | Subclass / Remark | Page |
| | 700K/700KD 988/988D | EC-K | EC-K for Short Knife EC-K-A for Long Knife #: Use for 700KD/988D ●: Use for Long Knife | 1/4 |
| | | | Date | |
| | | | 2017/10/18 | |

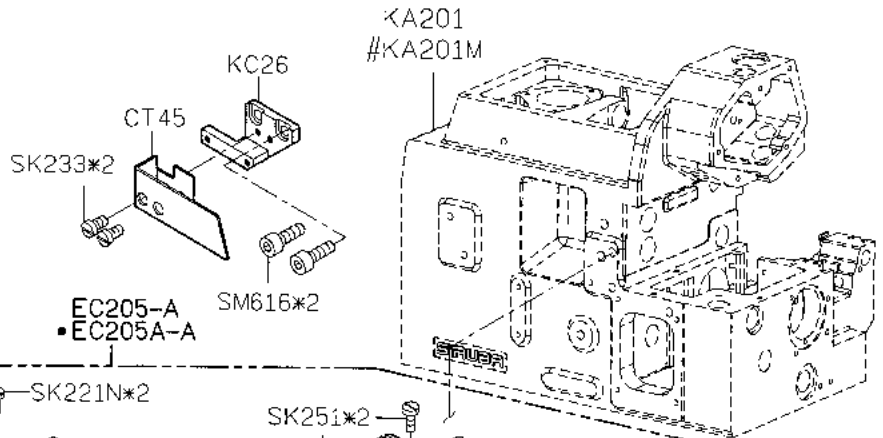
Option : • Long Knife

• EC208 (For Long Knife)



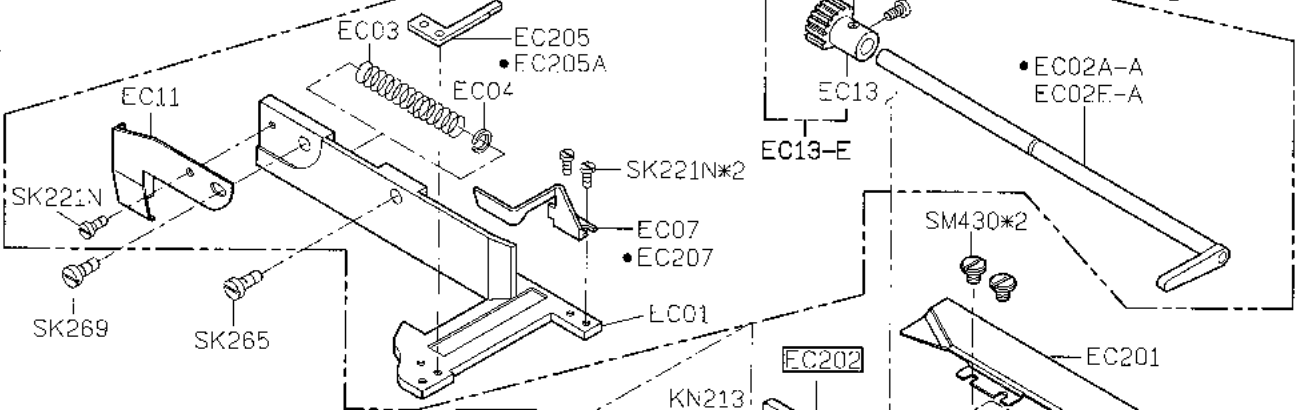
| | |
|-----------------------|------|
| Long knife cut limit | 22mm |
| Short knife cut limit | 16mm |

| | | | |
|----------|-------|-------|-------|
| MODEL | EC | EC+BK | EC+GA |
| PARTS NO | EC202 | EC215 | EC215 |
| | | EC216 | EC216 |
| | SK290 | SK612 | SK612 |

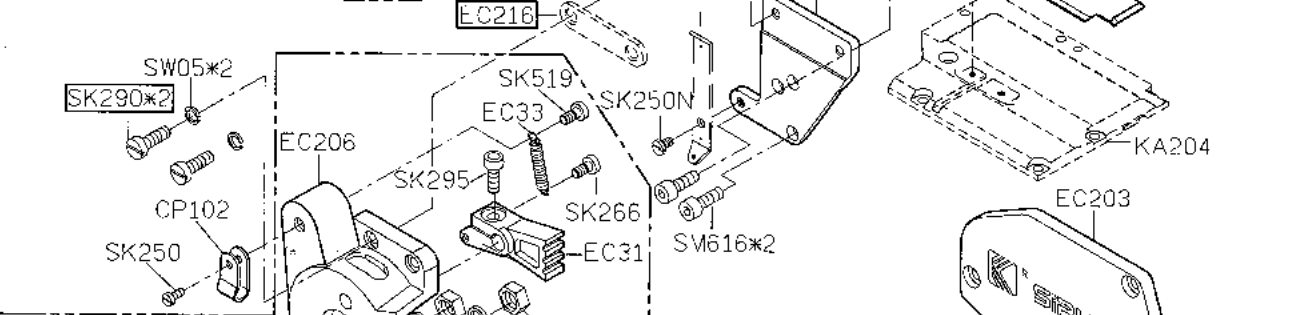


A

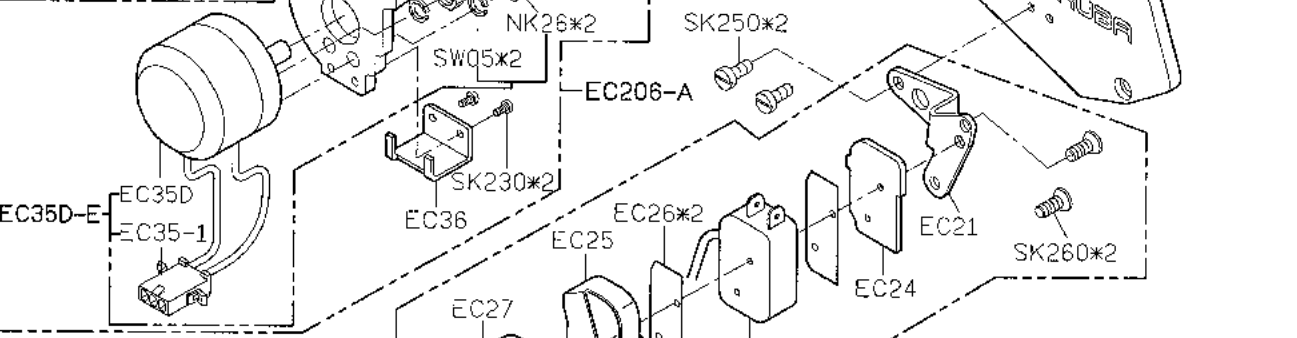
B



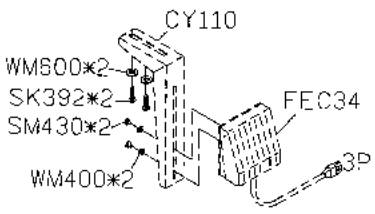
C



D



Option : FEC34-A



E

| | | | | |
|--|------------------------|--------------------|--------------------------|-------------|
| SIRUBA PARTS LIST | Series | Parts Group | Subclass / Remark | Page |
| | 700K/700KD 988/988D | EC-K | | 2/4 |
| | | | | Date |
| | | | | 2014/09/24 |

FE202-A

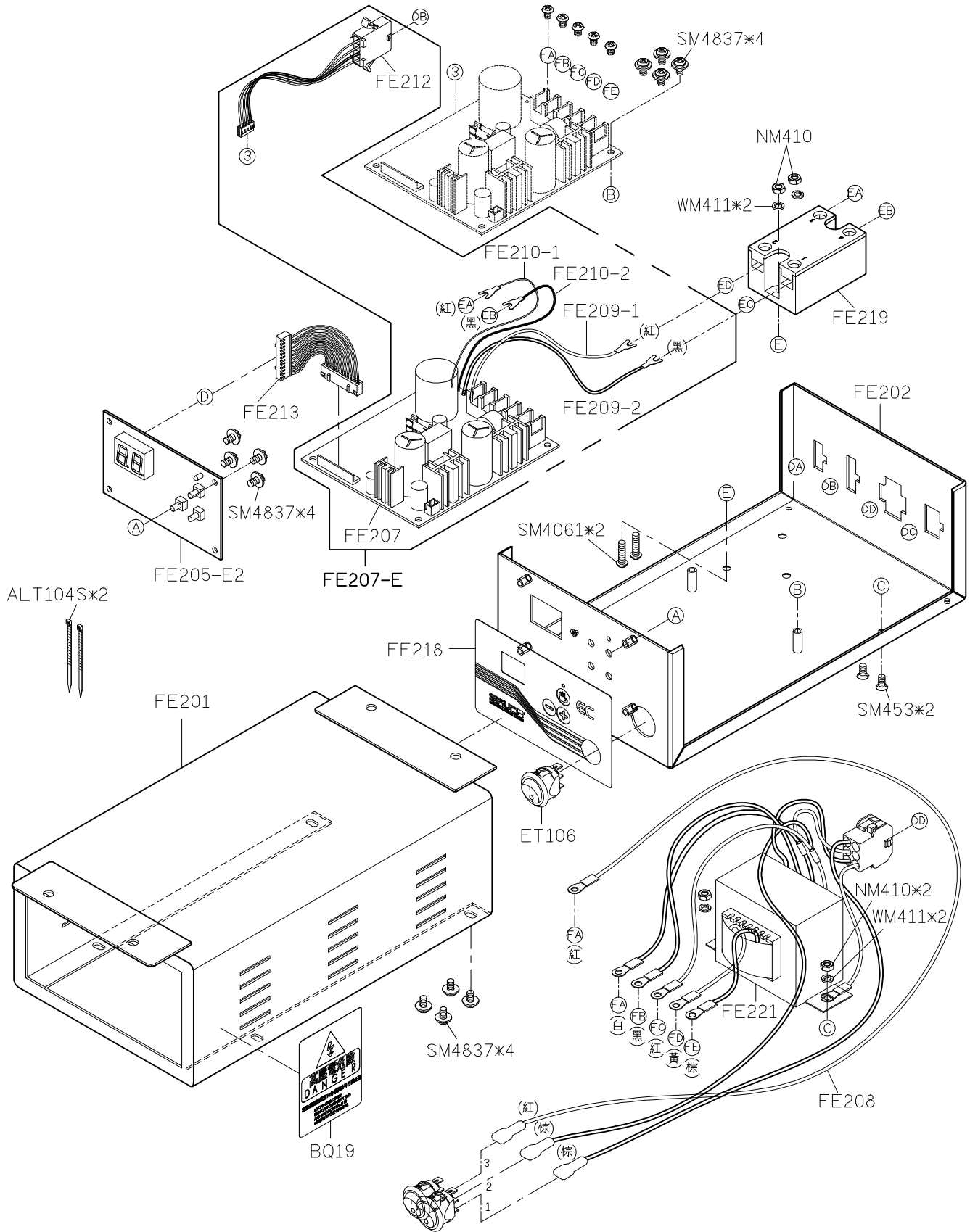
A

B

C

D

E



1

2

3

4

5

| SIRUBA PARTS LIST | Series | Parts Group | Subclass / Remark | Page |
|----------------------|------------|-------------|-------------------|------------|
| | 700K/700KD | EC-K | | 3/4 |
| | 988/988D | | | Date |
| | | | | 2012/11/16 |

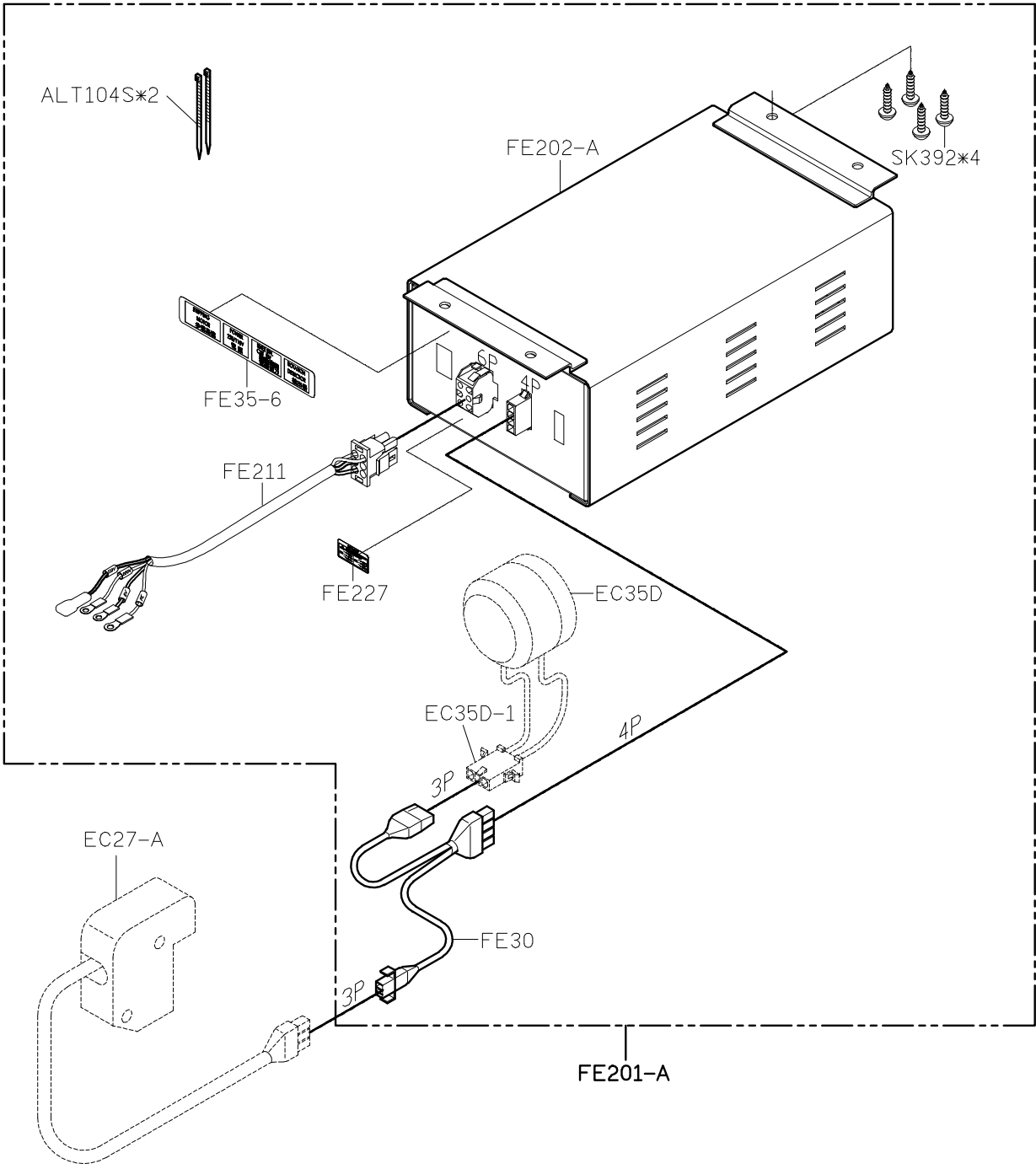
A

B

C

D

E



1

2

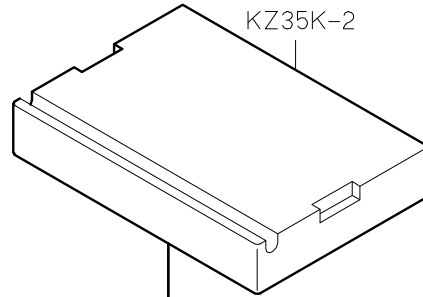
3

4

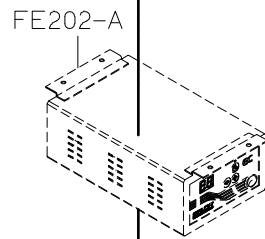
5

| SIRUBA PARTS LIST | Series | Parts Group | Subclass / Remark | Page |
|------------------------------------|------------|-------------|-------------------|------------|
| | 700K/700KD | EC-K | | 4/4 |
| | 988/988D | | Date | |
| | | | | 2012/11/16 |

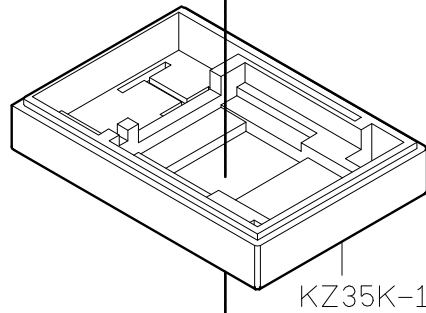
A



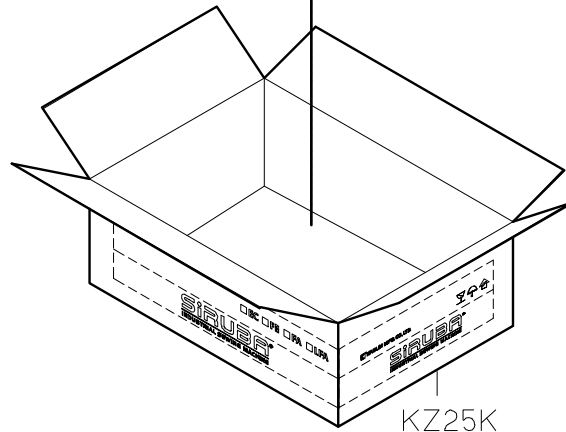
B



C



D



E

| SIRUBA PARTS LIST | Series | Parts Group | Subclass / Remark | Page |
|----------------------|--------|-------------|-------------------|------------|
| | 700K | EC-U | | 1/3 |
| | 700L | | | Date |
| | | | | 2020/07/30 |

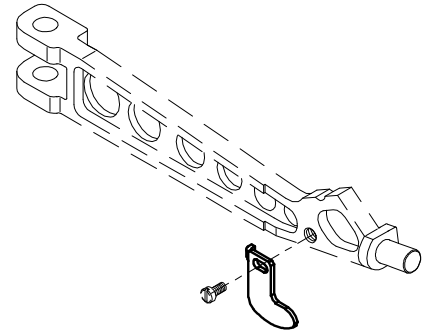
A

B

C

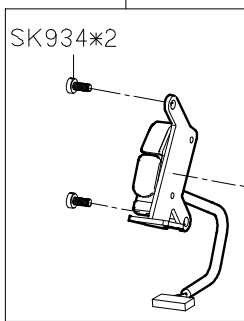
D

E



EC407JK

EC459U-E1

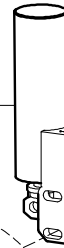


SK934*2

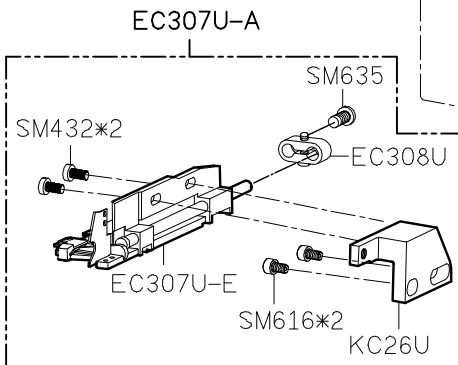
EC436



EC403U-A1



EC470U-A2



EC307U-A

SM432*2

SM635

EC308U

EC307U-E

SM616*2

KC26U

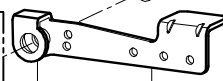
WM600*2

WM600*3

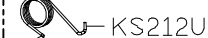
SM611*2

SM6104*3

SM681U

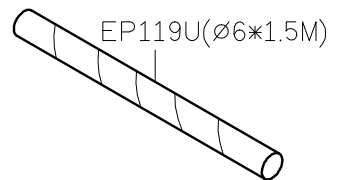


KS211U



KS212U

KS211U-A



EP119U(ø6*1.5M)

1

2

3

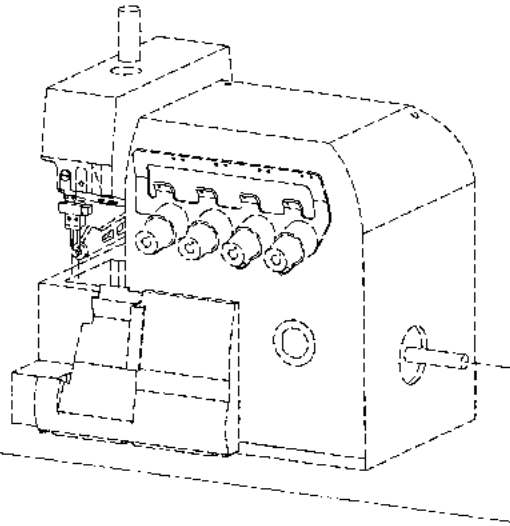
4

5

| SIRUBA PARTS LIST | Series | Parts Group | Subclass / Remark | Page |
|----------------------|--------|-------------|-------------------|------------|
| | 700K | EC-U | | 2/3 |
| | 700L | | | Date |
| | | | | 2020/07/14 |

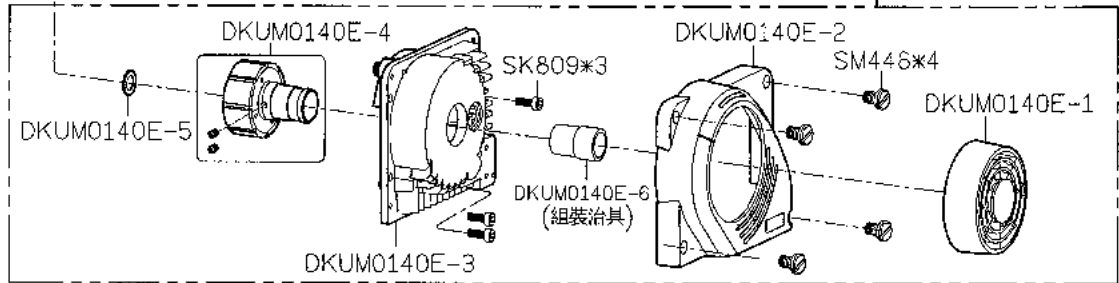
A

B

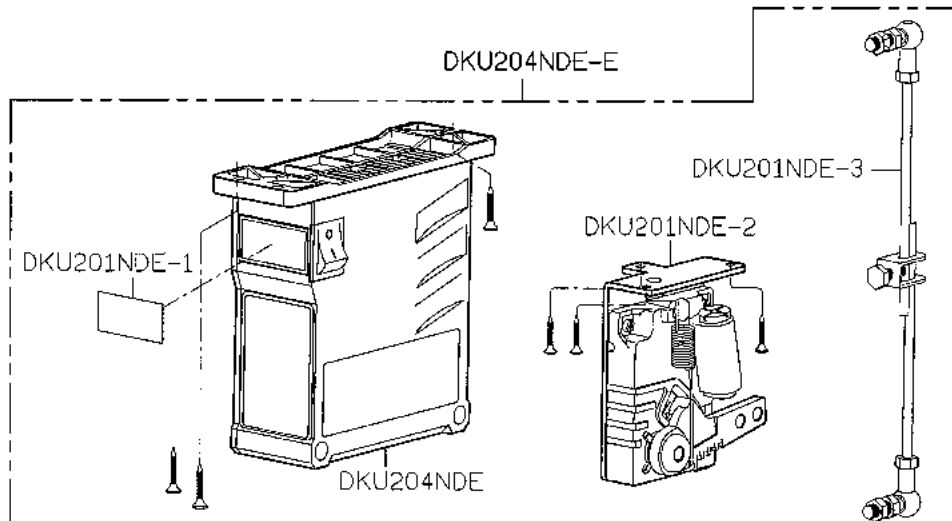


DKUM0140E-E

C



D



E

1

2

3

4

5

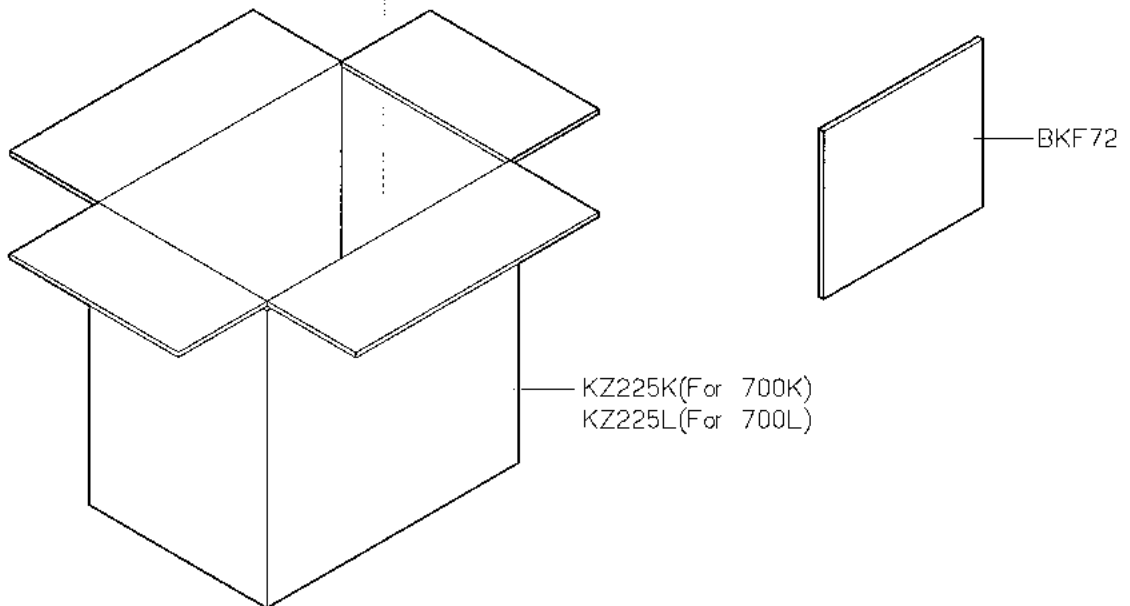
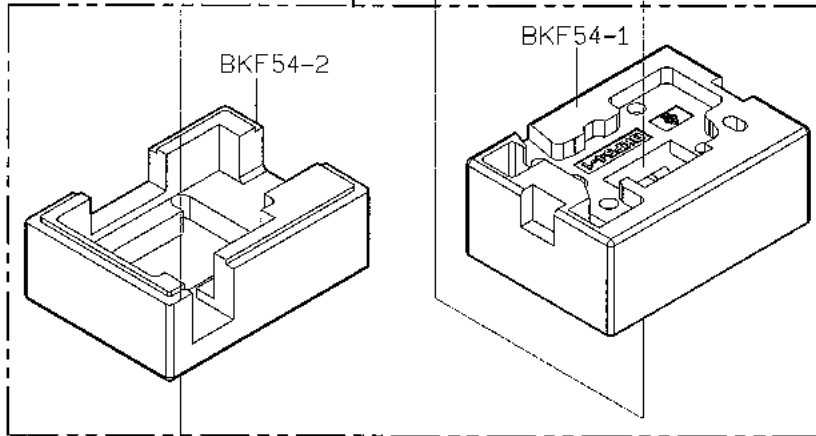
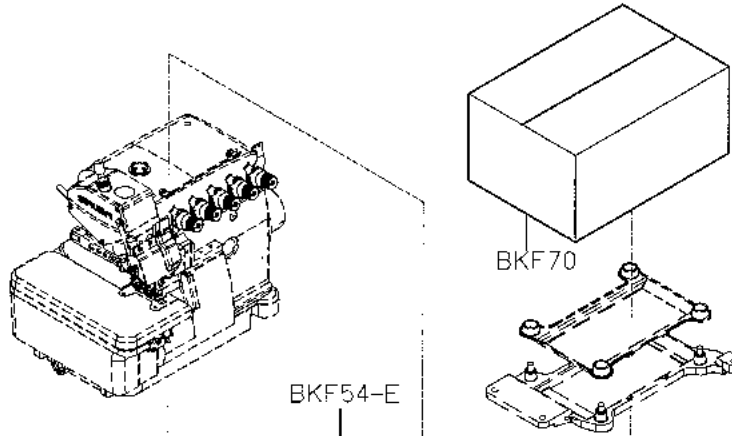
A

B

C

D

E



1

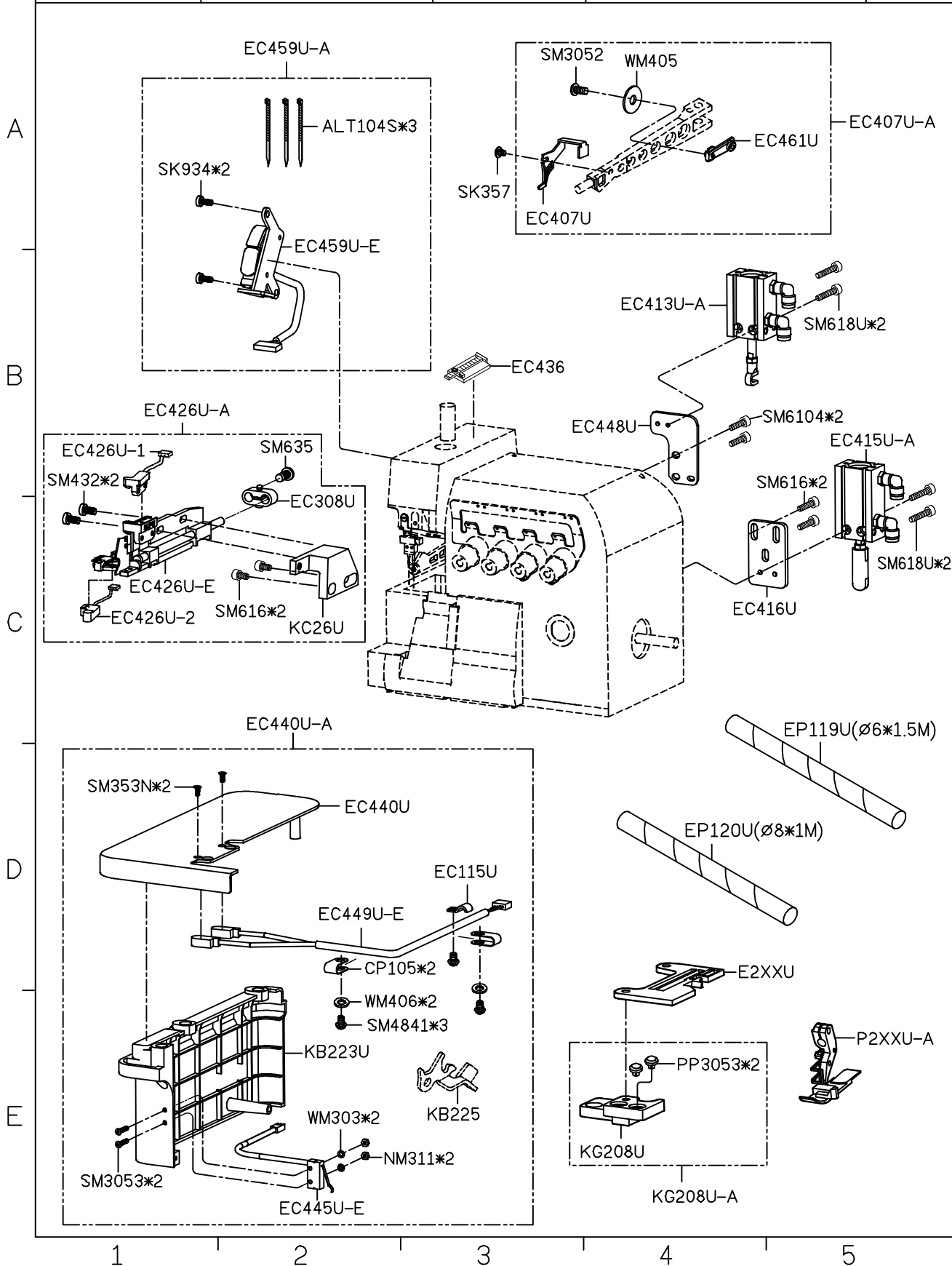
2

3

4

5

| | | | | |
|------------------------------------|---------------|--------------------|--------------------------|-------------|
| SIRUBA PARTS LIST | Series | Parts Group | Subclass / Remark | Page |
| | 700K | ECA-U | | 1/4 |
| | 700L | | | Date |
| | | | | 2020/11/25 |



| | | | | |
|------------------------------------|---------------|--------------------|--------------------------|-------------|
| SIRUBA PARTS LIST | Series | Parts Group | Subclass / Remark | Page |
| | 700K | ECA-U | *FOR 700L用 | 2/4 |
| | 700L | | | Date |
| | | | | 2020/03/30 |

| | | |
|----------|--------------|--------|
| 面膜 | 控制箱 | 使用語系 |
| EC441U-1 | DKU101ADE-E1 | 中文, 英文 |
| EC441U-3 | DKU103ADE-E1 | 英文, 越文 |

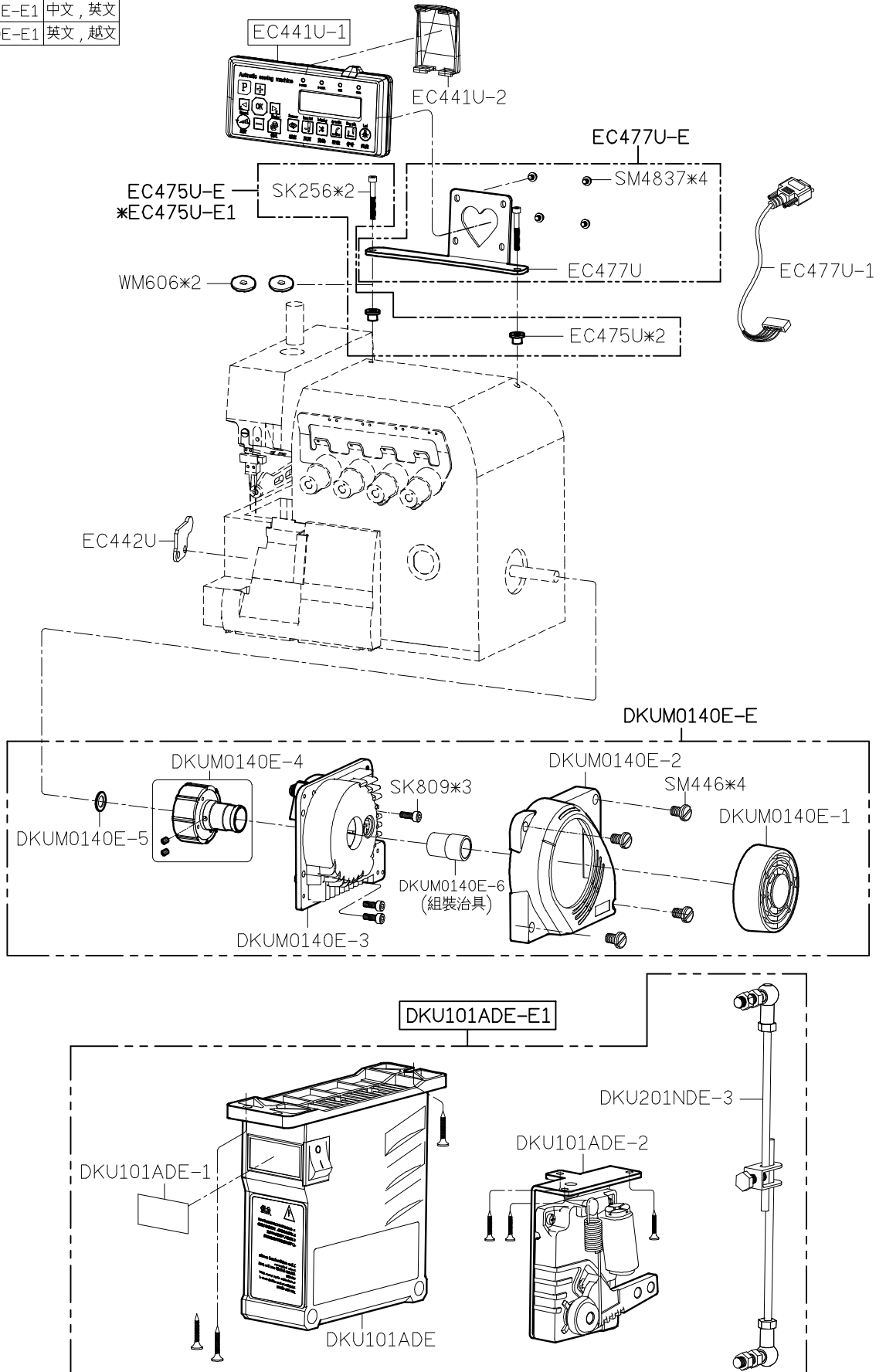
A

B

C

D

E



1

2

3

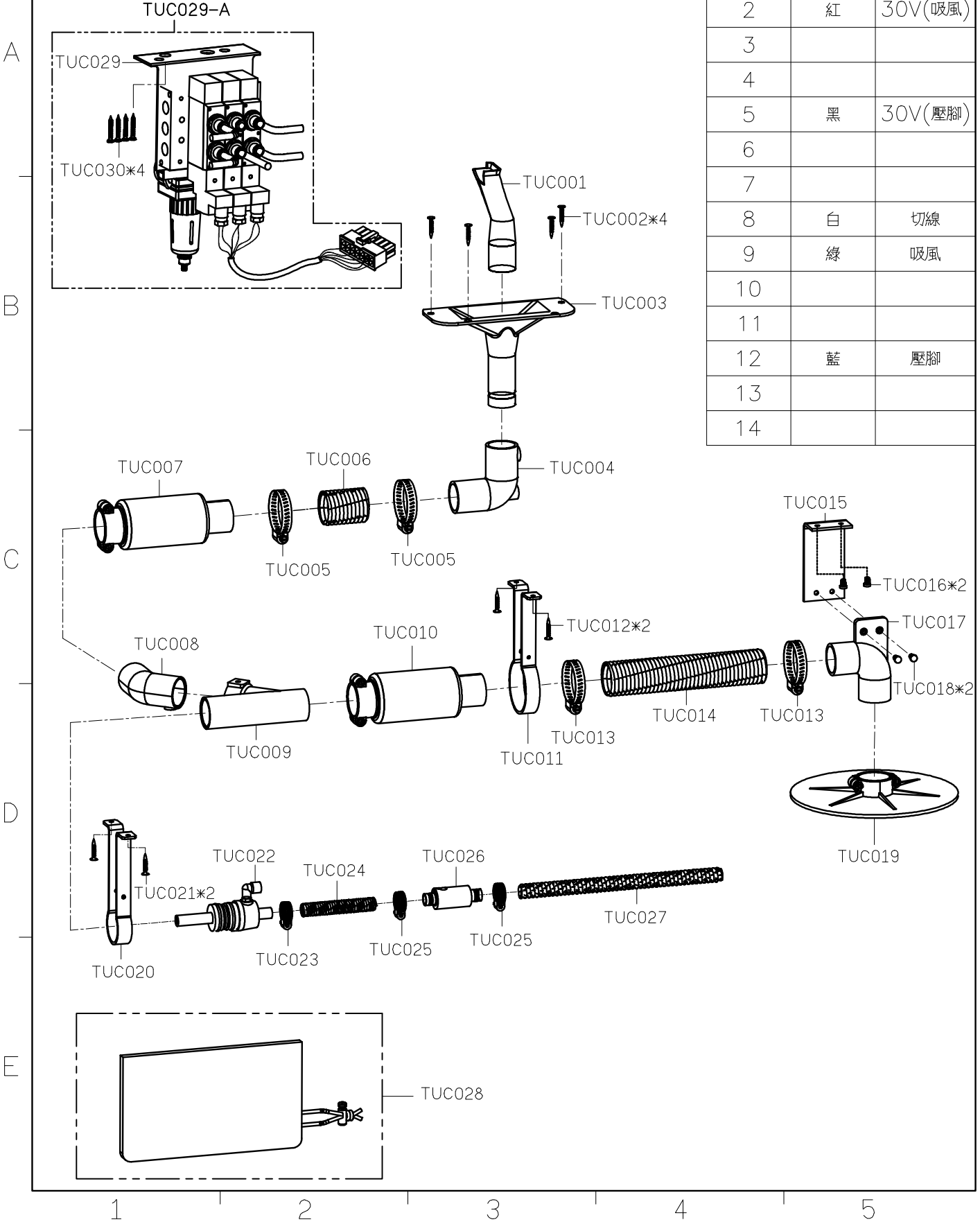
4

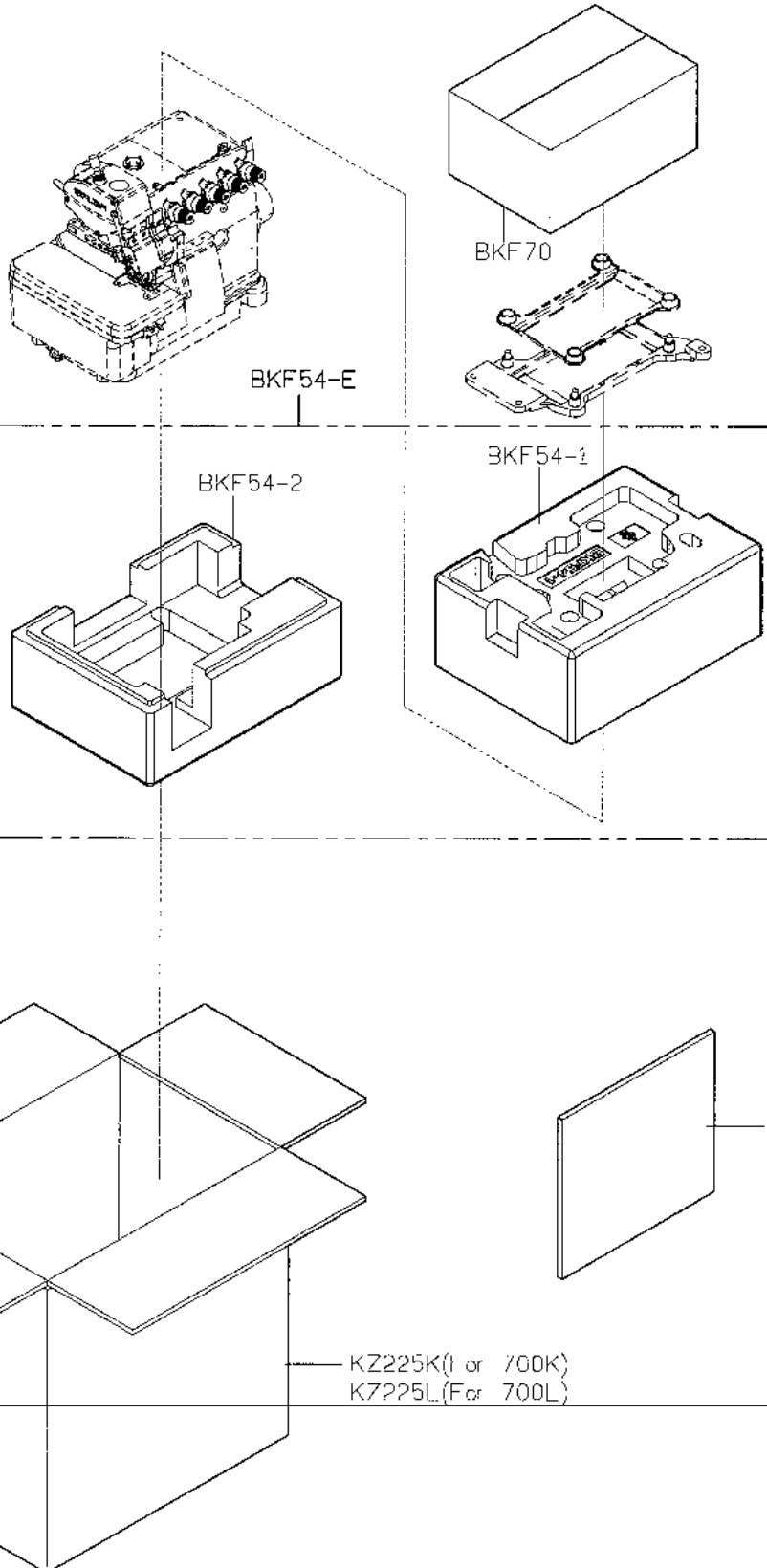
5

| | | | | |
|------------------------------------|---------------|--------------------|--------------------------|-------------------|
| SIRUBA PARTS LIST | Series | Parts Group | Subclass / Remark | Page |
| | 700K | ECA-U | | 3/4 |
| | 700L | | | Date |
| | | | | 2020/03/30 |

TUC-01 Housing:H6657R1-14
PIN:6657TP

| 腳序 | 顏色 | 備註 |
|----|----|---------|
| 1 | 黃 | 30V(切線) |
| 2 | 紅 | 30V(吸風) |
| 3 | | |
| 4 | | |
| 5 | 黑 | 30V(壓腳) |
| 6 | | |
| 7 | | |
| 8 | 白 | 切線 |
| 9 | 綠 | 吸風 |
| 10 | | |
| 11 | | |
| 12 | 藍 | 壓腳 |
| 13 | | |
| 14 | | |





A

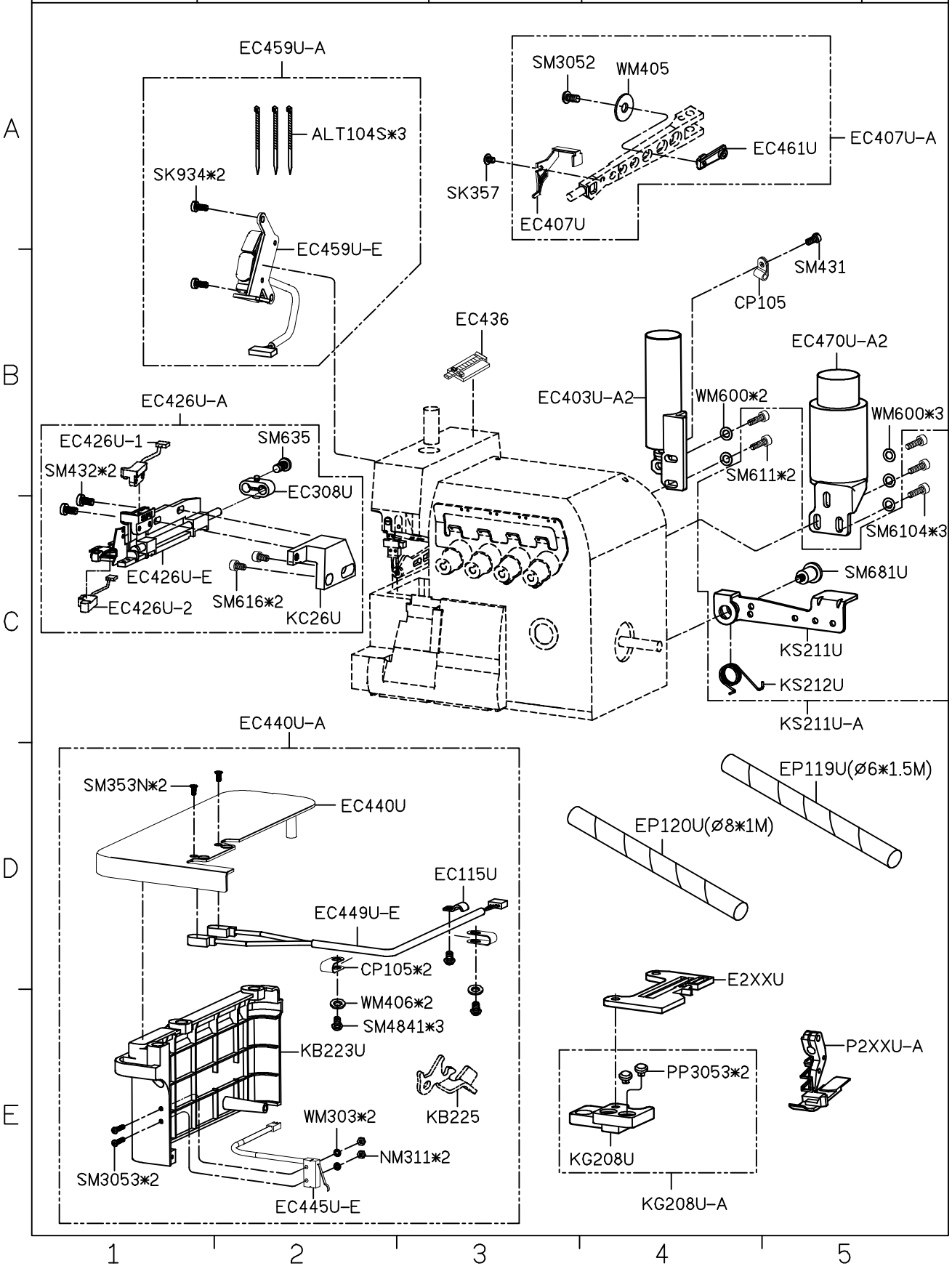
B

C

D

E

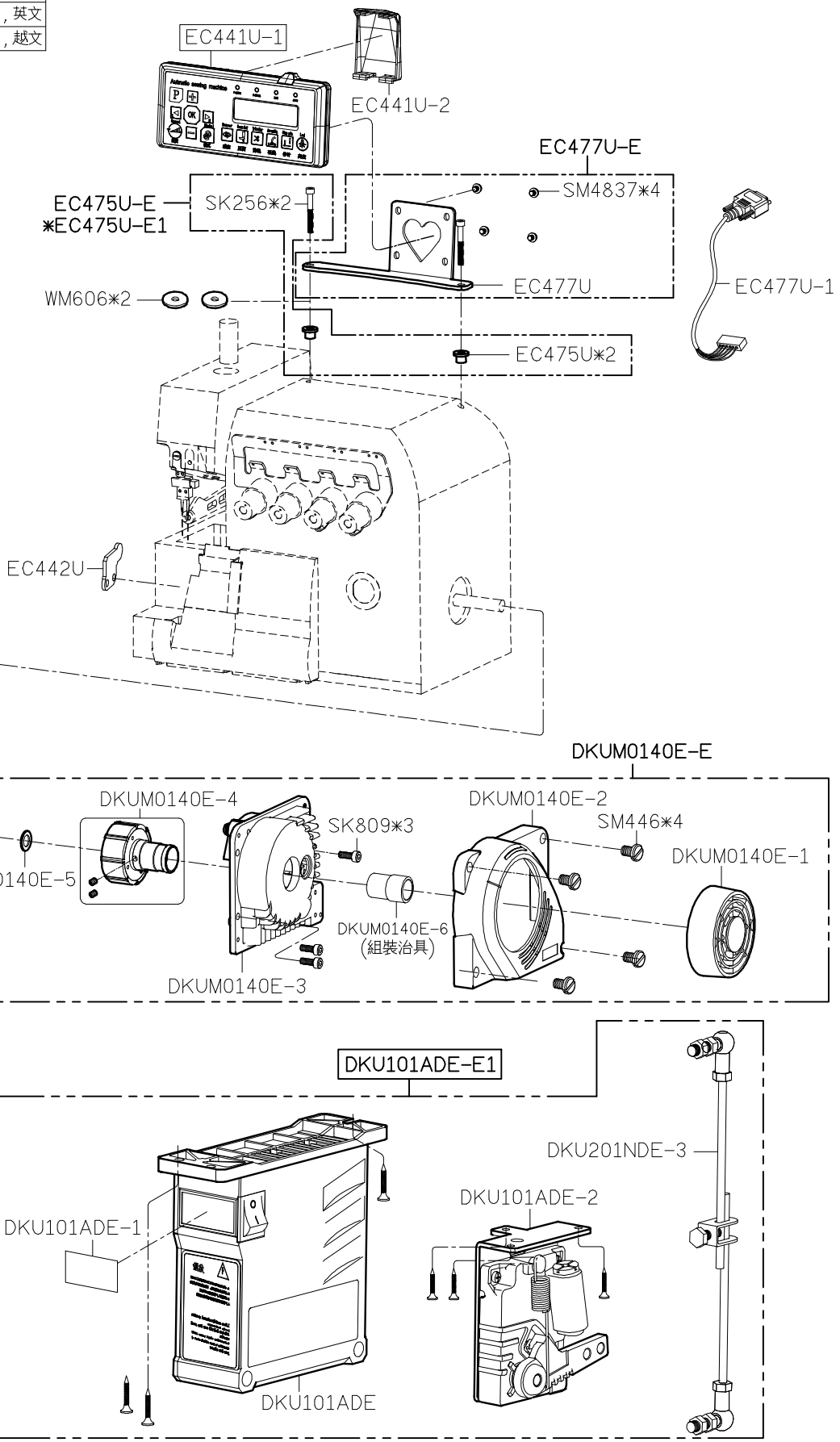
| | | | | |
|------------------------------------|---------------|--------------------|--------------------------|-------------|
| SIRUBA PARTS LIST | Series | Parts Group | Subclass / Remark | Page |
| | 700K | ECB-U | | 1/4 |
| | 700L | | | Date |
| | | | | 2020/11/25 |



| | | | | |
|------------------------------------|---------------|--------------------|--------------------------|-------------|
| SIRUBA PARTS LIST | Series | Parts Group | Subclass / Remark | Page |
| | 700K | ECB-U | *FOR 700L用 | 2/4 |
| | 700L | | | Date |
| | | | | 2020/03/30 |

| | | |
|----------|--------------|--------|
| 面膜 | 控制箱 | 使用語系 |
| EC441U-1 | DKU101ADE-E1 | 中文, 英文 |
| EC441U-3 | DKU103ADE-E1 | 英文, 越文 |

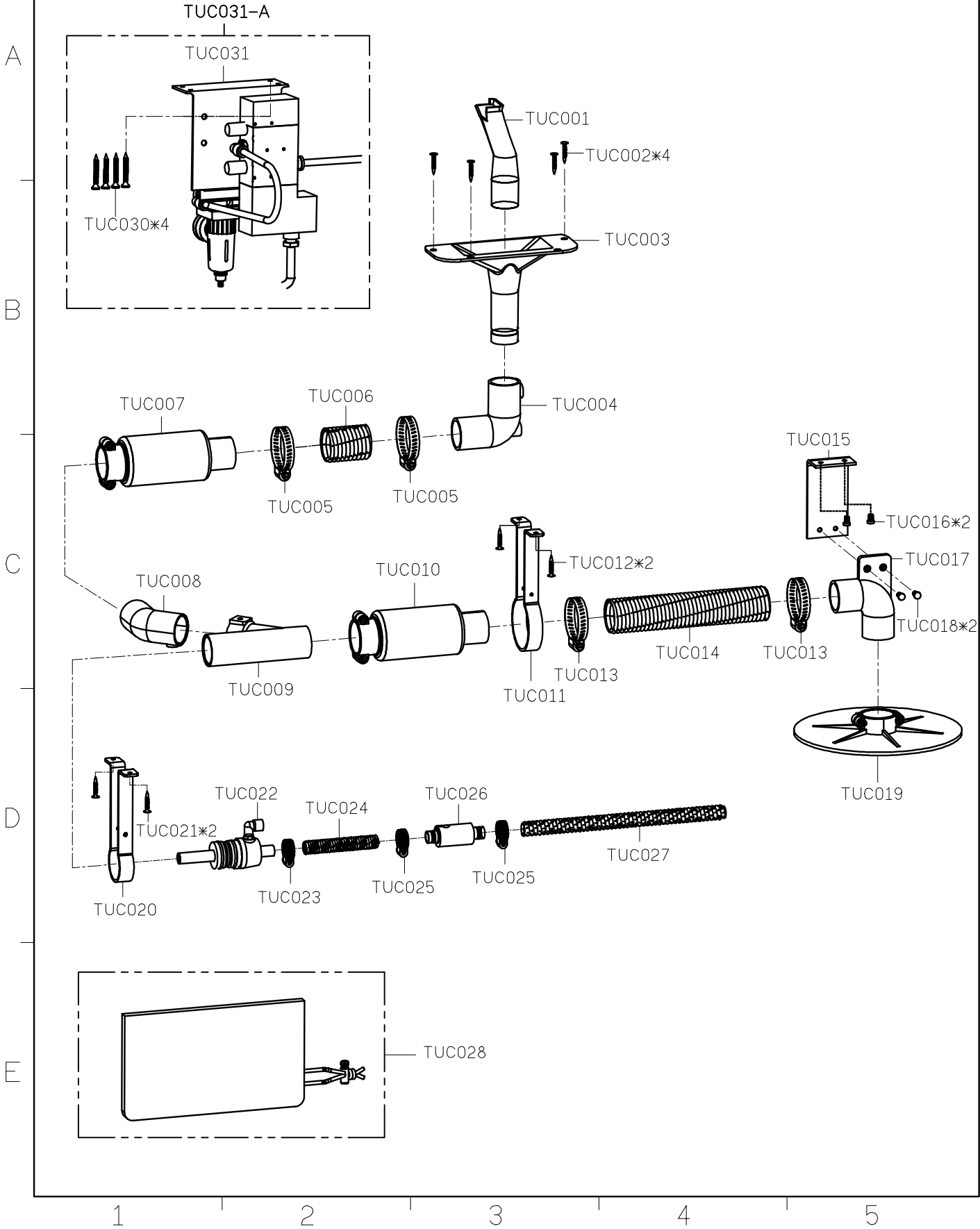
A
B
C
D
E



1 2 3 4 5

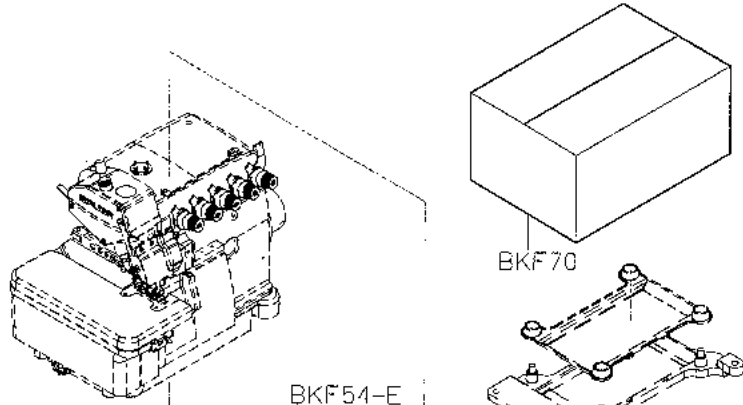
| SIRUBA PARTS LIST | Series | Parts Group | Subclass / Remark | Page |
|----------------------|--------|-------------|-------------------|------------|
| | 700K | ECB-U | | 3/4 |
| | 700L | | | Date |
| | | | | 2020/03/30 |

TUC-02

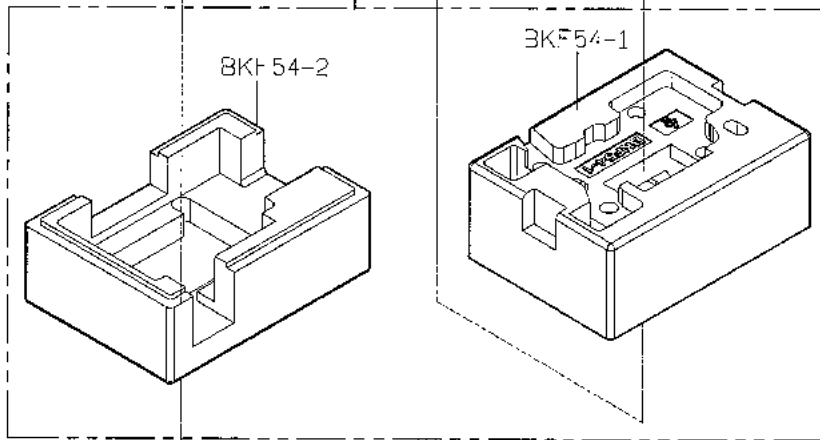


| SIRUBA PARTS LIST | Series | Parts Group | Subclass / Remark | Page |
|----------------------|--------|-------------|-------------------|------------|
| | 700K | ECB-U | | 4/4 |
| | 700L | | | Date |
| | | | | 2018/09/27 |

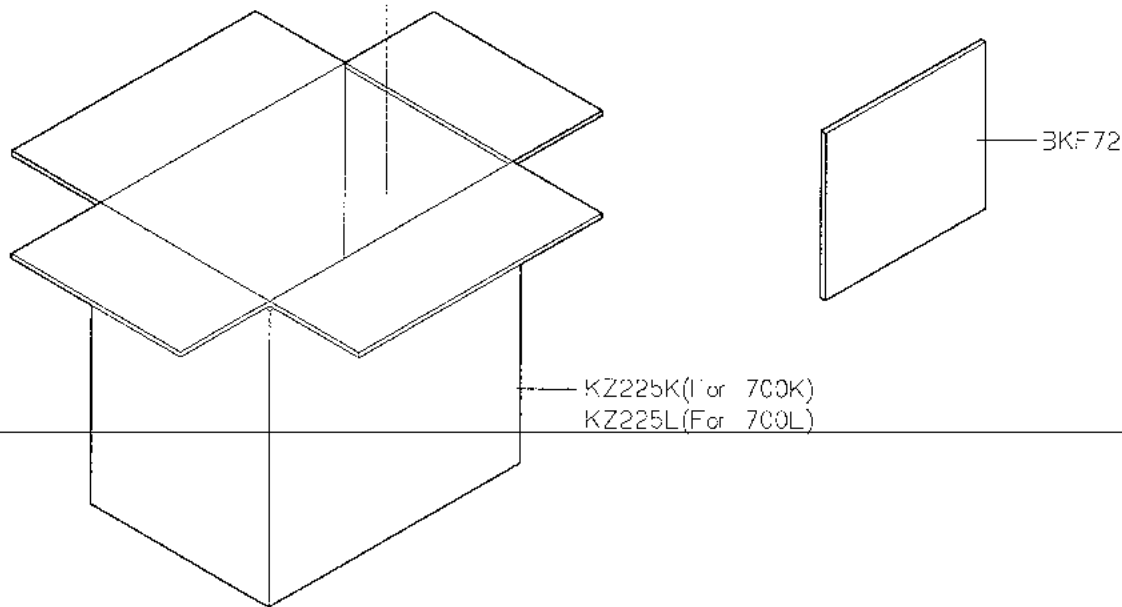
A



B



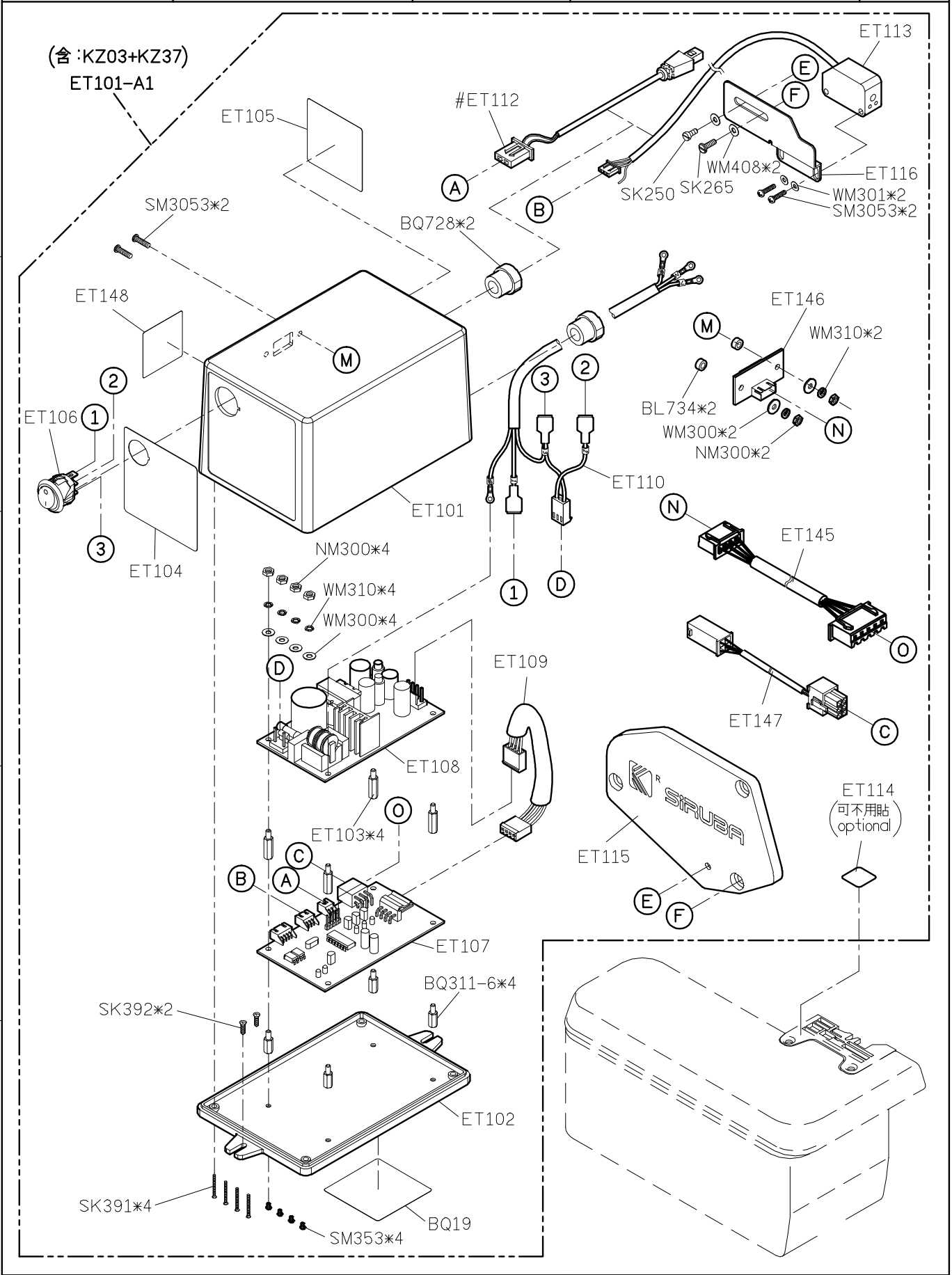
C



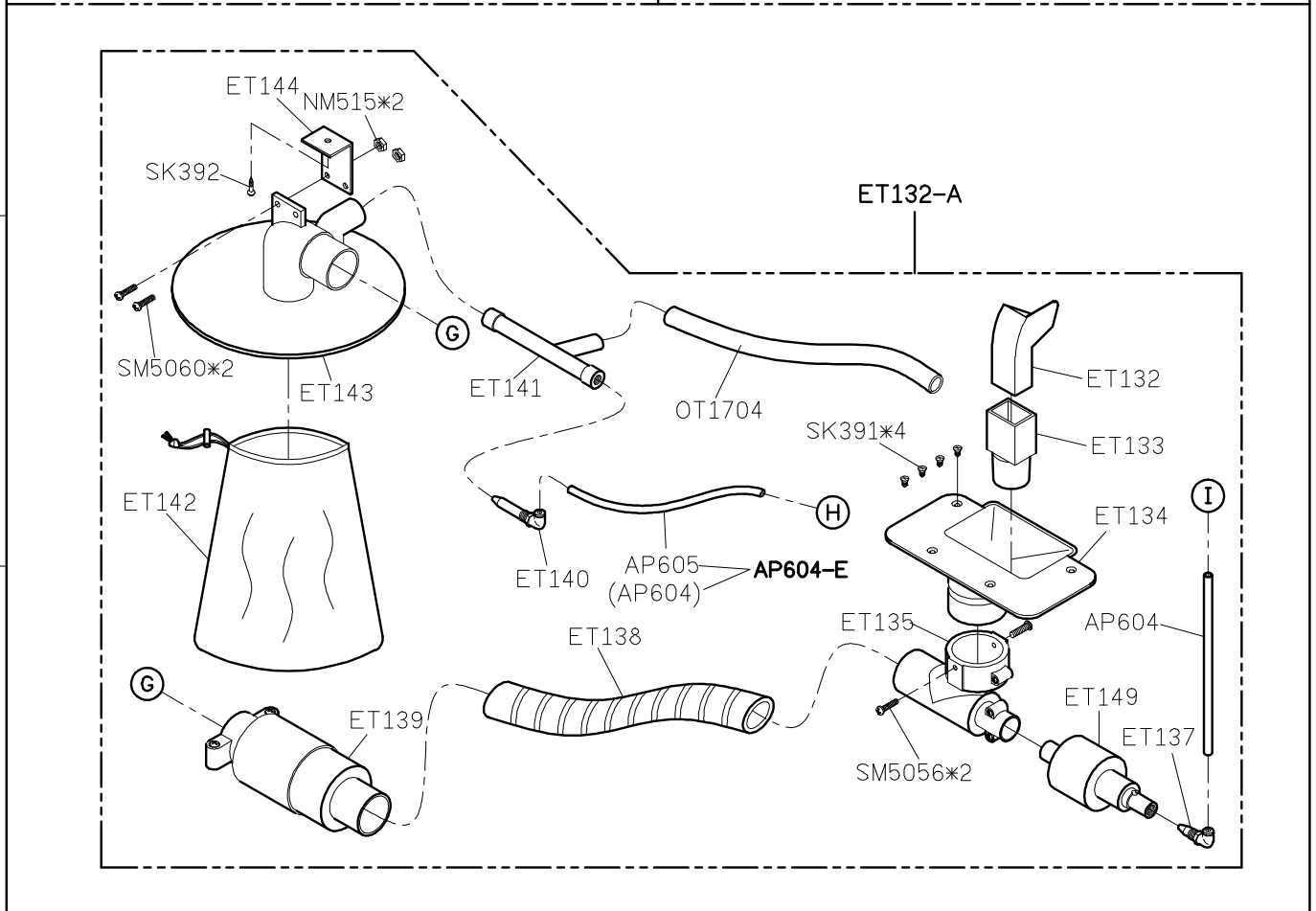
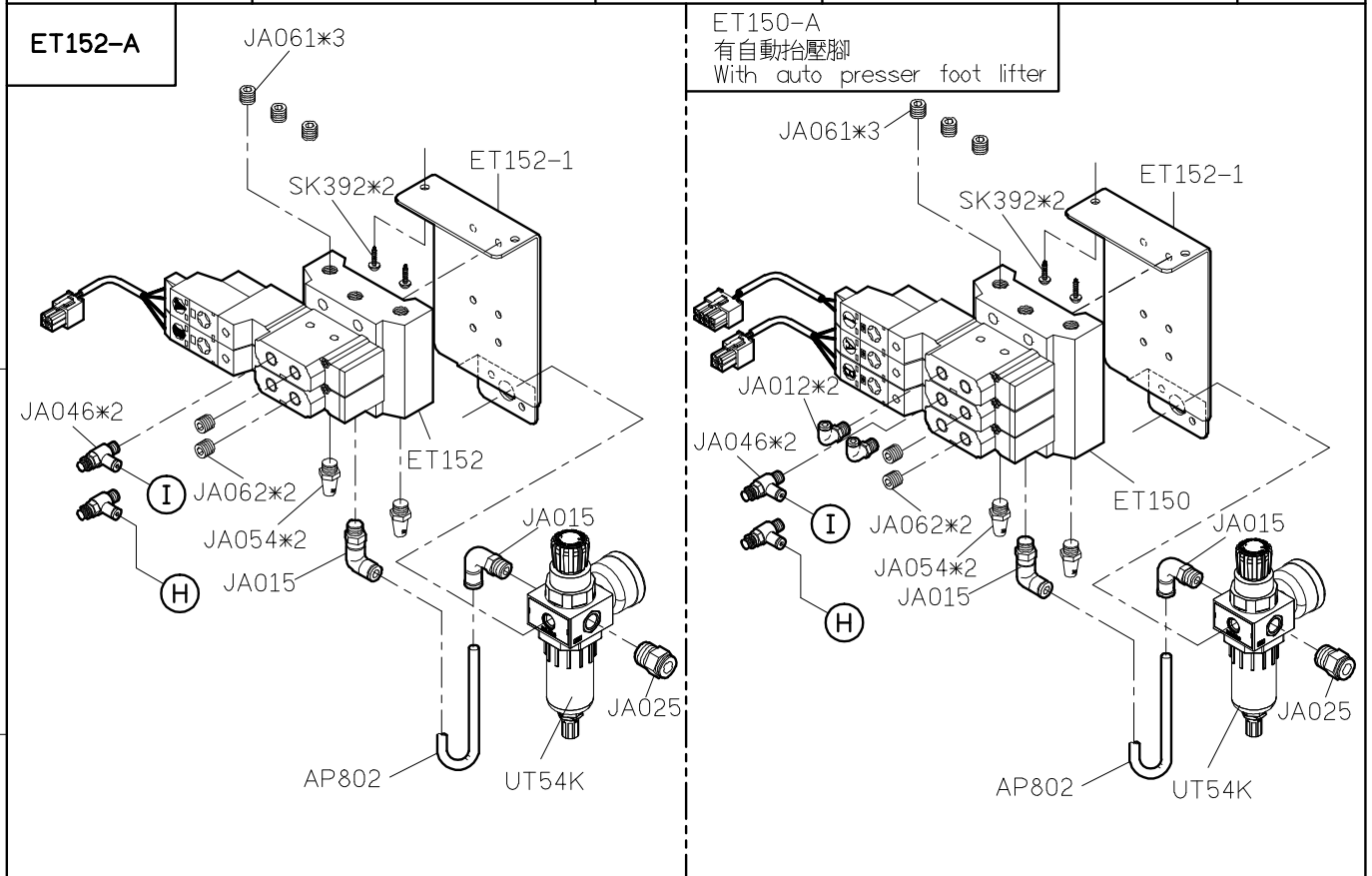
D

E

| SIRUBA PARTS LIST | Series | Parts Group | Subclass / Remark | Page |
|----------------------|------------------------|-------------|----------------------|--------------------|
| | 700K/700KD 988/988D | ET-K | # : Use for 700K/988 | 1/3 |
| | | | | Date 2012/12/18 |

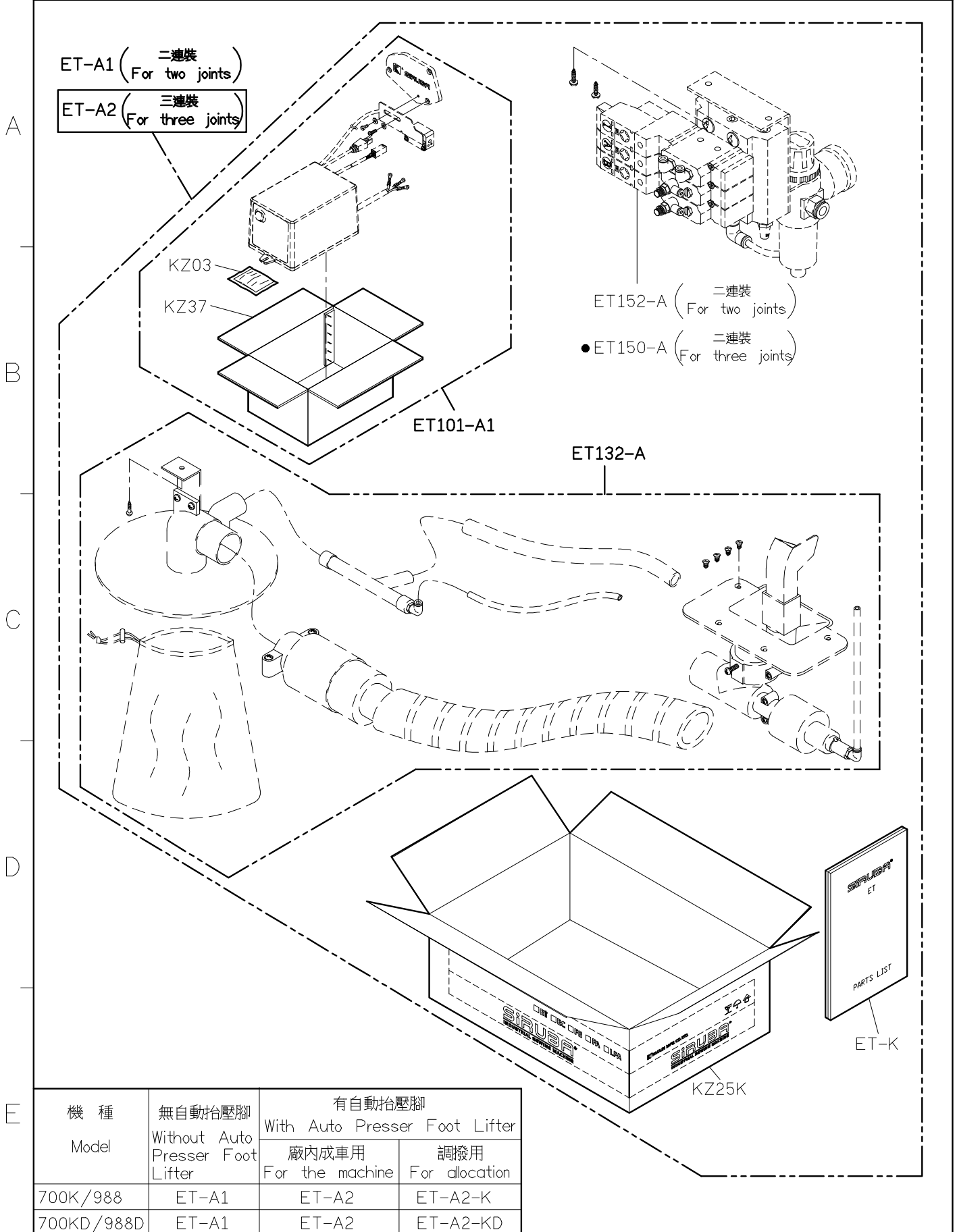


| SIRUBA PARTS LIST | Series | Parts Group | Subclass / Remark | Page |
|----------------------|------------------------|-------------|-------------------|------------|
| | 700K/700KD 988/988D | ET-K | | 2/3 |
| | | | | Date |
| | | | | 2020/04/27 |



1 2 3 4 5

| | | | | |
|------------------------------------|------------------------|--------------------|--------------------------|-------------|
| SIRUBA PARTS LIST | Series | Parts Group | Subclass / Remark | Page |
| | 700K/700KD 988/988D | ET-K | | 3/3 |
| | | | | Date |
| | | | | 2020/04/27 |



1

2

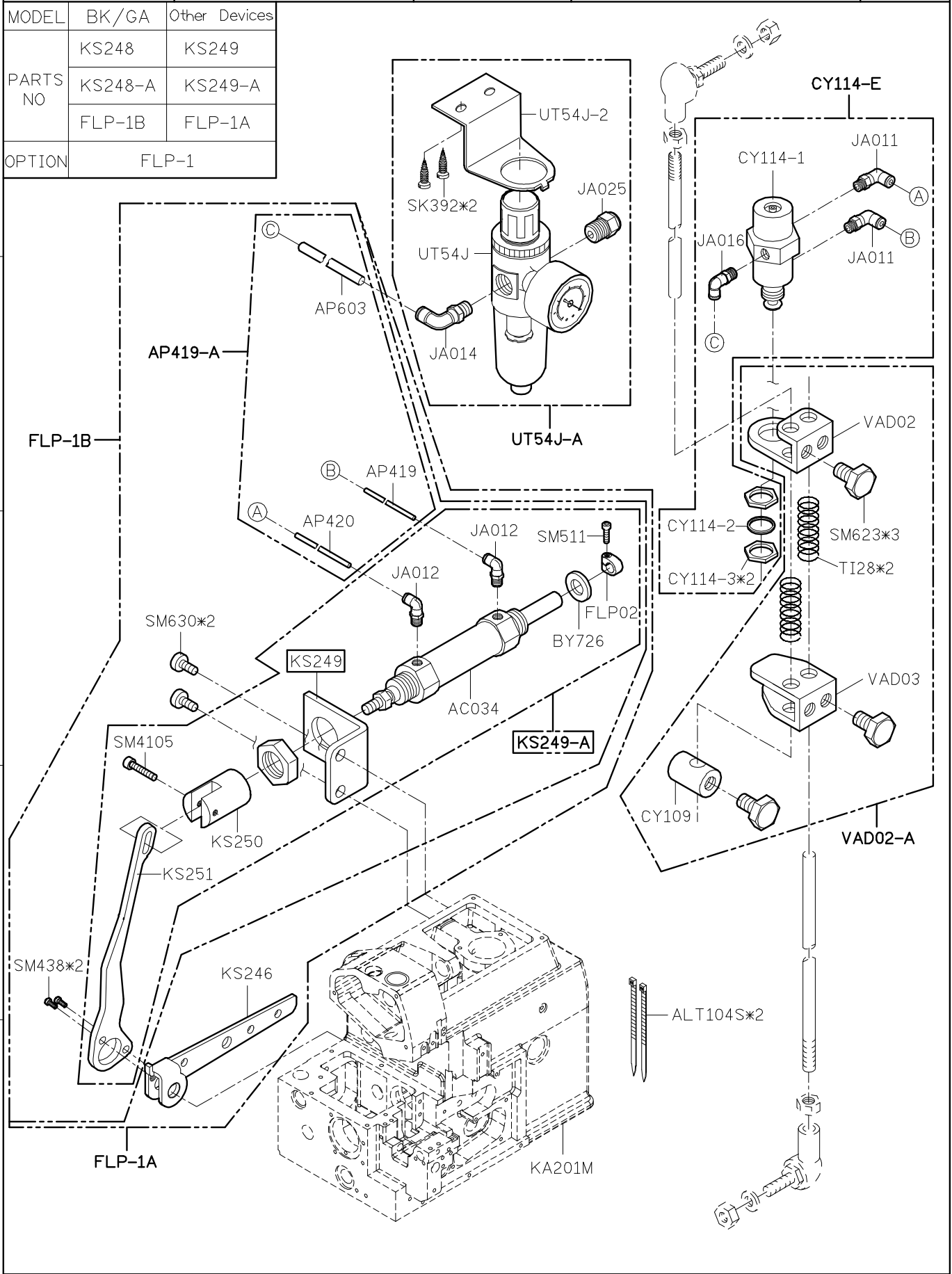
3

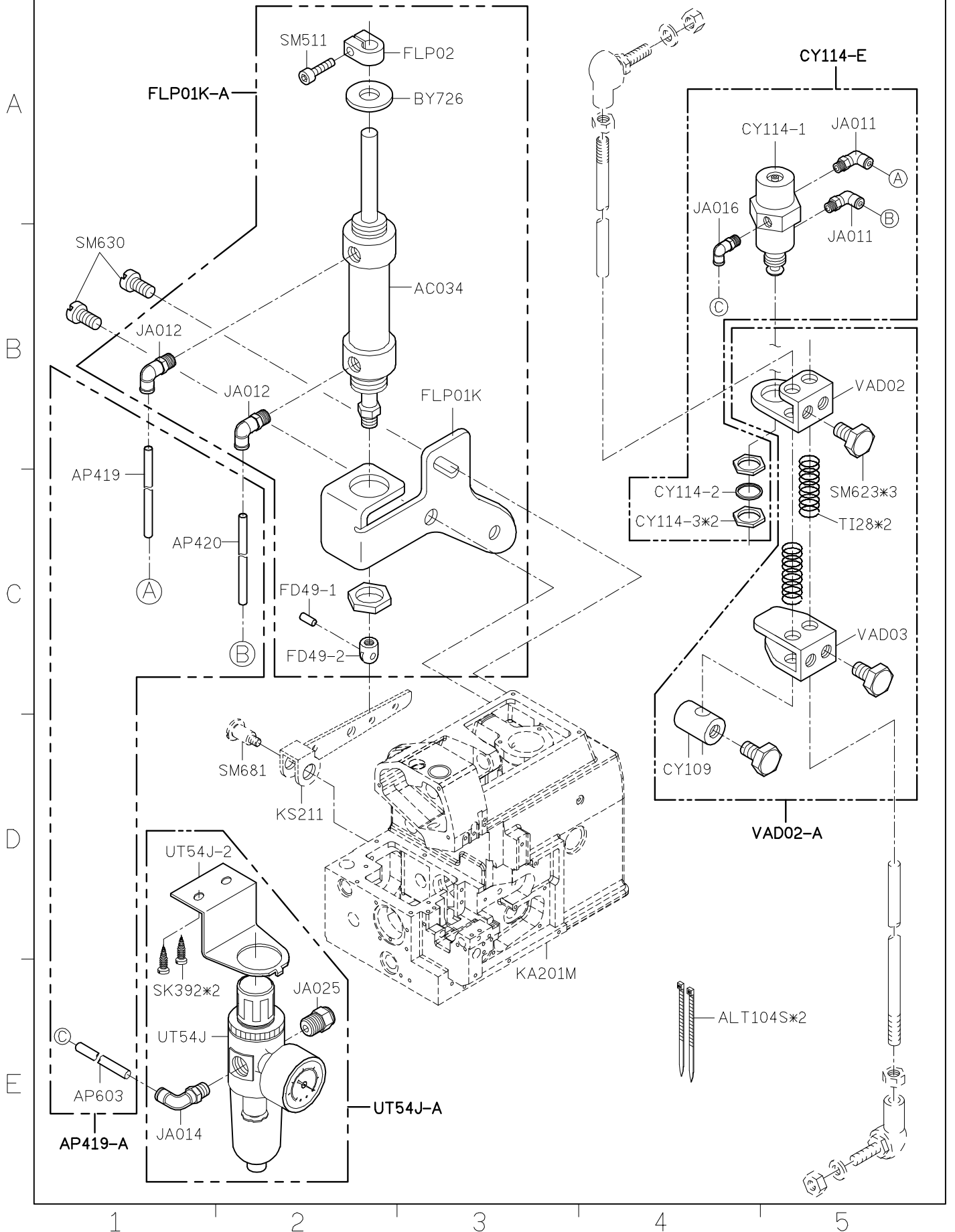
4

5

| | | | | | |
|------------------------------------|------------------------|--|--------------------|-------------------------|-------------|
| SIRUBA PARTS LIST | Series | | Parts Group | Subclass Remark | Page |
| | 700K/700KD 988/988D | | FLP-1 | Use for 700KD/988D only | 1/1 |
| | | | | | Date |
| | | | | | 2012/12/18 |

| | | |
|----------|---------|---------------|
| MODEL | BK/GA | Other Devices |
| | KS248 | KS249 |
| PARTS NO | KS248-A | KS249-A |
| | FLP-1B | FLP-1A |
| OPTION | FLP-1 | |





SIRUBA

PARTS LIST

Series

700K/700KD
988/988D
700KT

Parts Group

GA-K

Subclass / Remark

Page

1/1

Date

2017/09/15

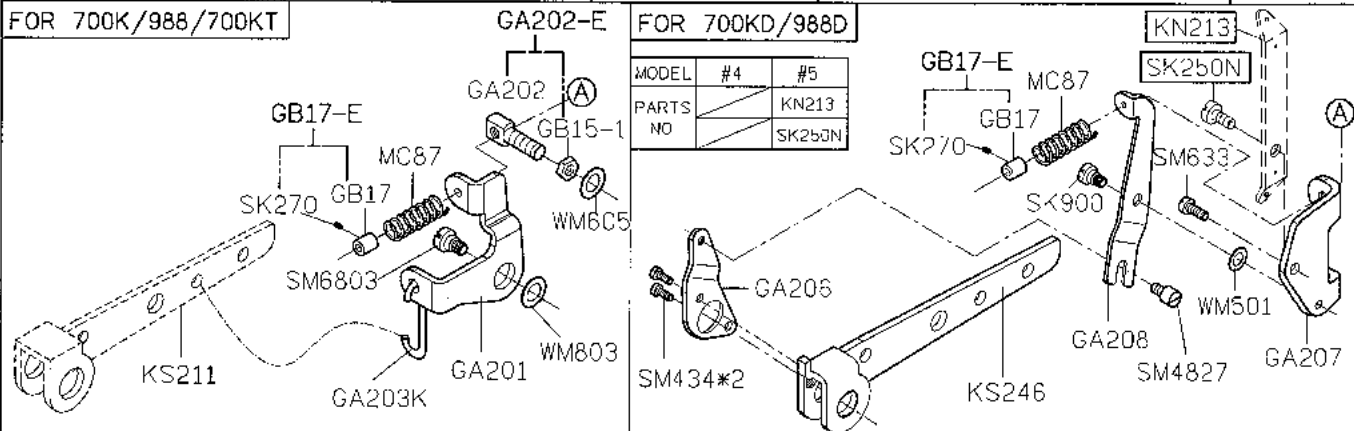
FOR 700K/988/700KT

GA202-E

FOR 700KD/988D

| MODEL | #4 | #5 |
|-----------|-------|--------|
| PARTS NO. | KN213 | SK250N |

A



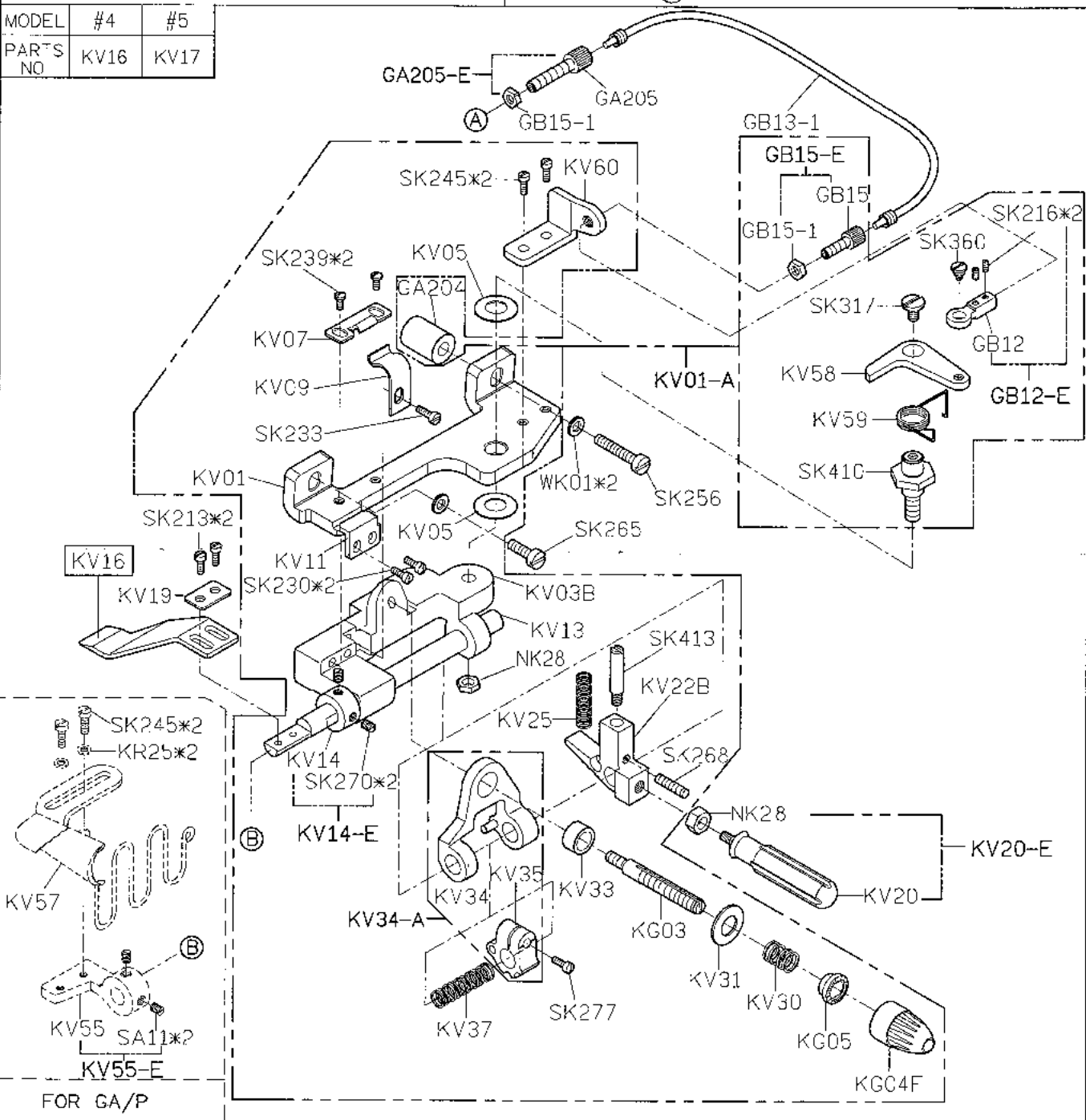
| MODEL | #4 | #5 |
|-----------|------|------|
| PARTS NO. | KV16 | KV17 |

B

C

D

E



1

2

3

4

5

| | | | | |
|------------------------------------|-------------------|--------------------|--------------------------|-------------------|
| SIRUBA PARTS LIST | Series | Parts Group | Subclass / Remark | Page |
| | 700K/700KD | GAL-K | | 1/1 |
| | 988/988D | | | Date |
| | | | | 2013/03/18 |

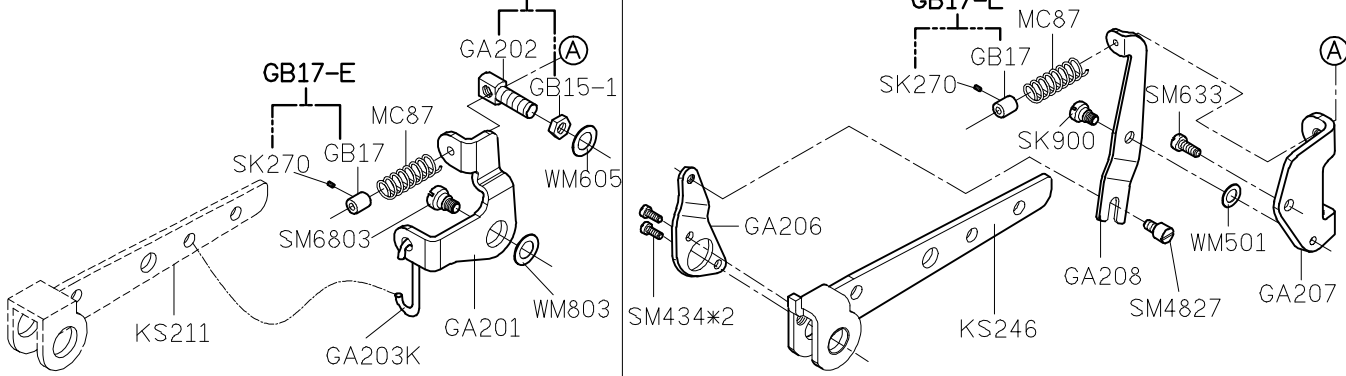
FOR 700K/988

GA202-E

FOR 700KD/988D

GB17-E

A

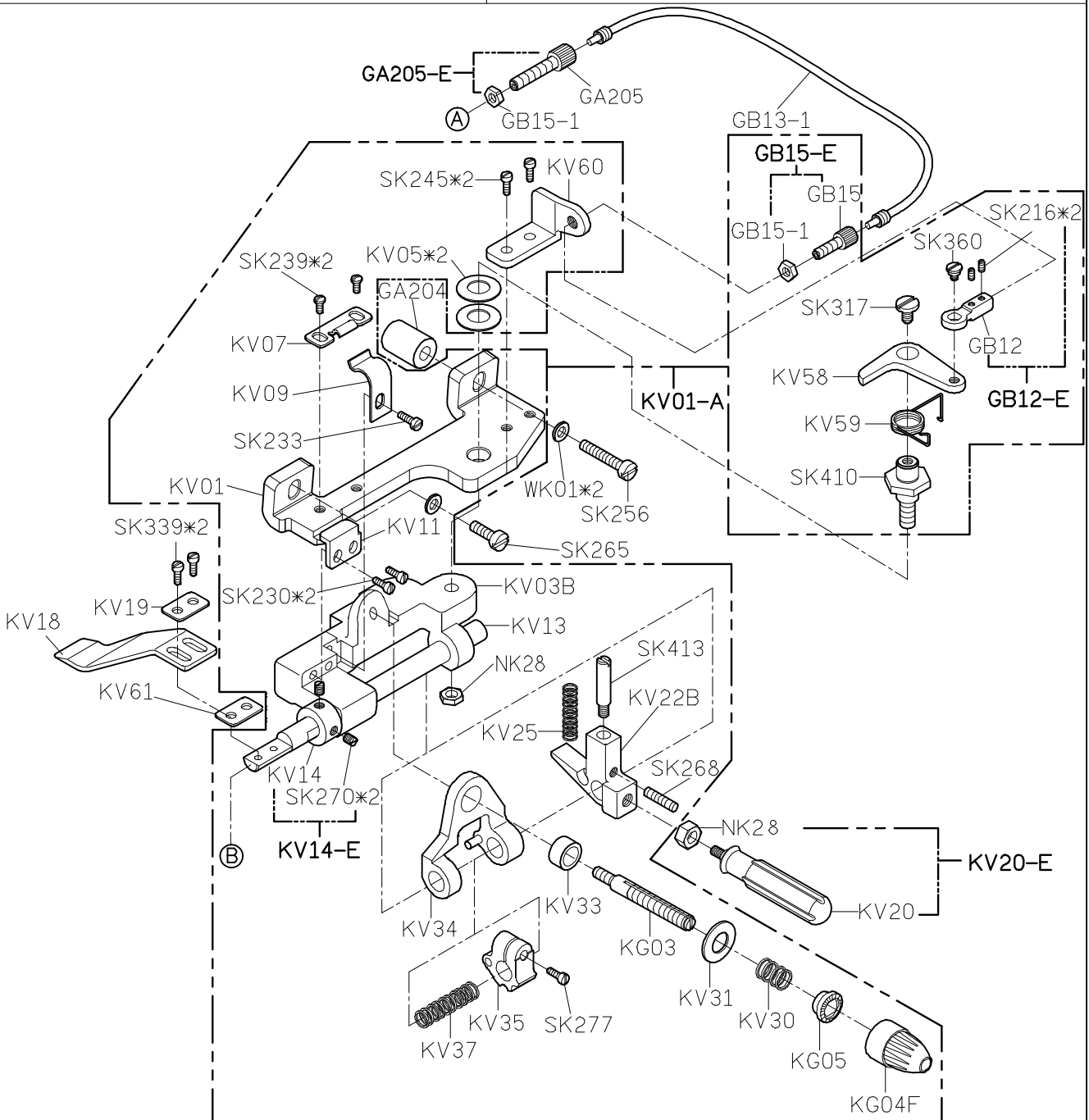


B

C

D

E



1

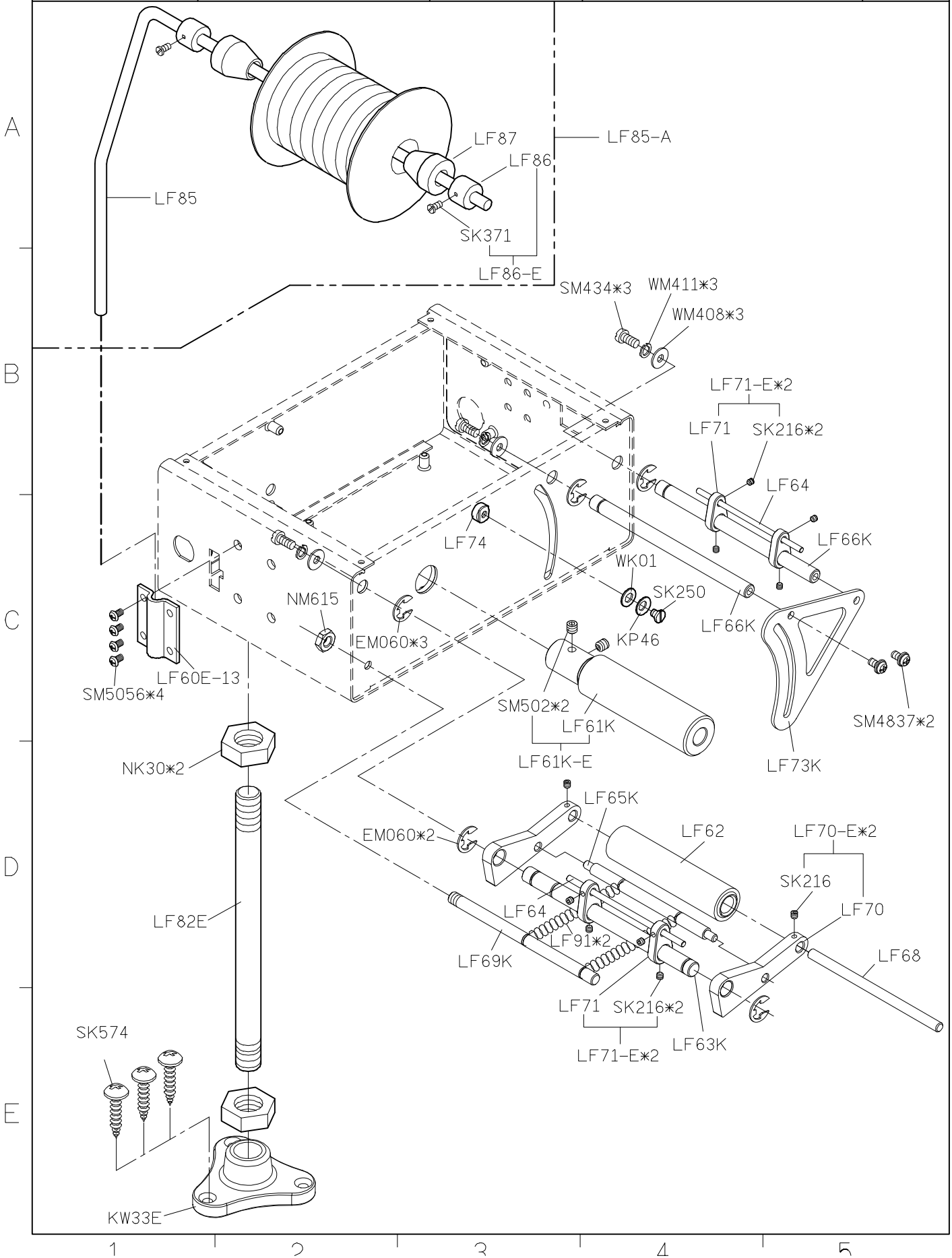
2

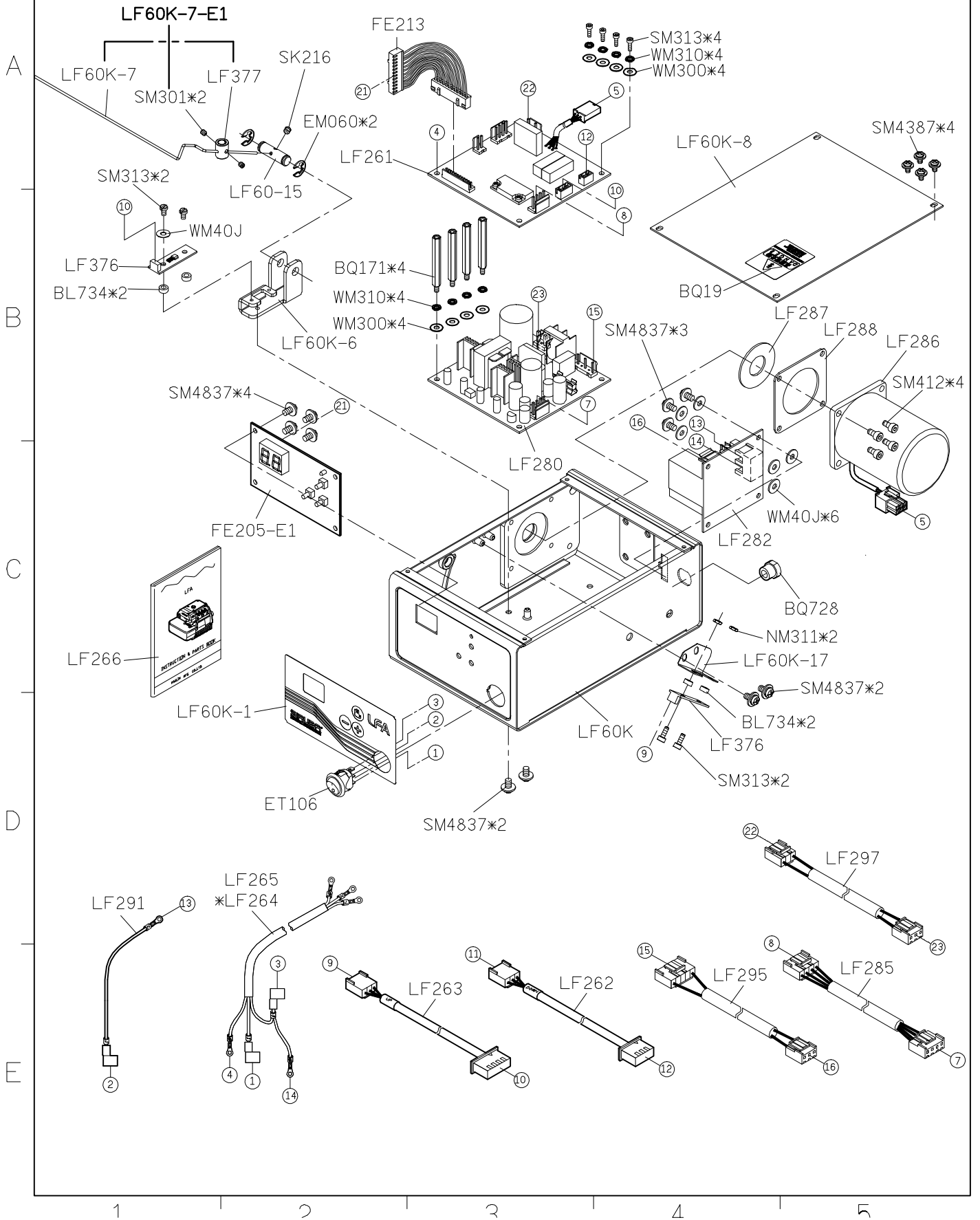
3

4

5

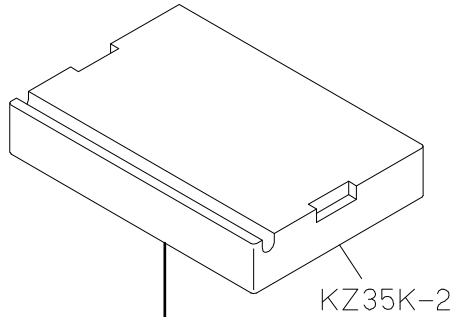
| SIRUBA PARTS LIST | Series | Parts Group | Subclass / Remark | Page |
|----------------------|------------|-------------|-------------------|------------|
| | 700K/700KD | LFAK | | 1/3 |
| | 988/988D | | | Date |
| | | | | 2013/03/25 |



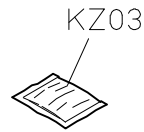
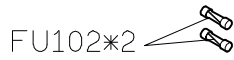
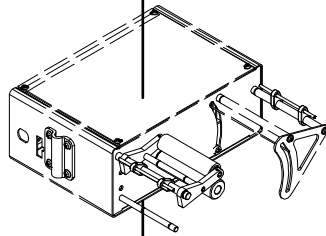


| SIRUBA PARTS LIST | Series | Parts Group | Subclass / Remark | Page |
|------------------------------------|------------|-------------|-------------------|------------|
| | 700K/700KD | LFAK | | 3/3 |
| | 988/988D | | | Date |
| | | | | 2013/03/25 |

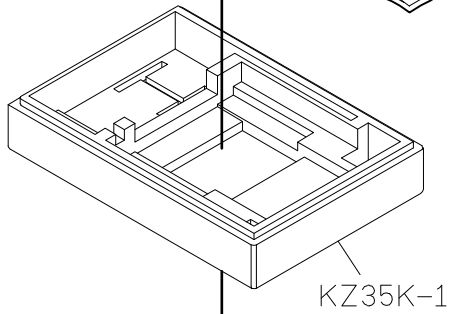
A



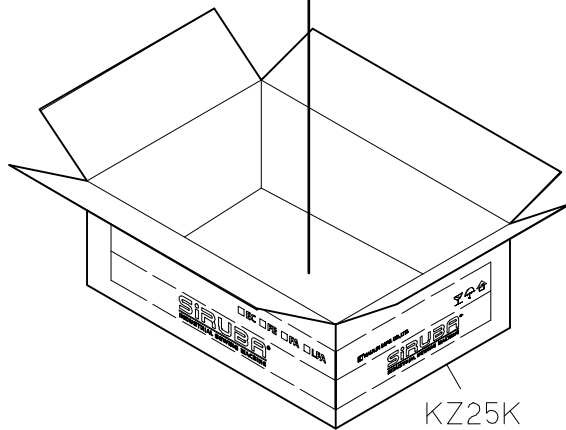
B



C



D



E

1

2

3

4

5

SIRUBA

PARTS LIST

Series

**700K/700KD
988/988D**

Parts Group

LFA-K

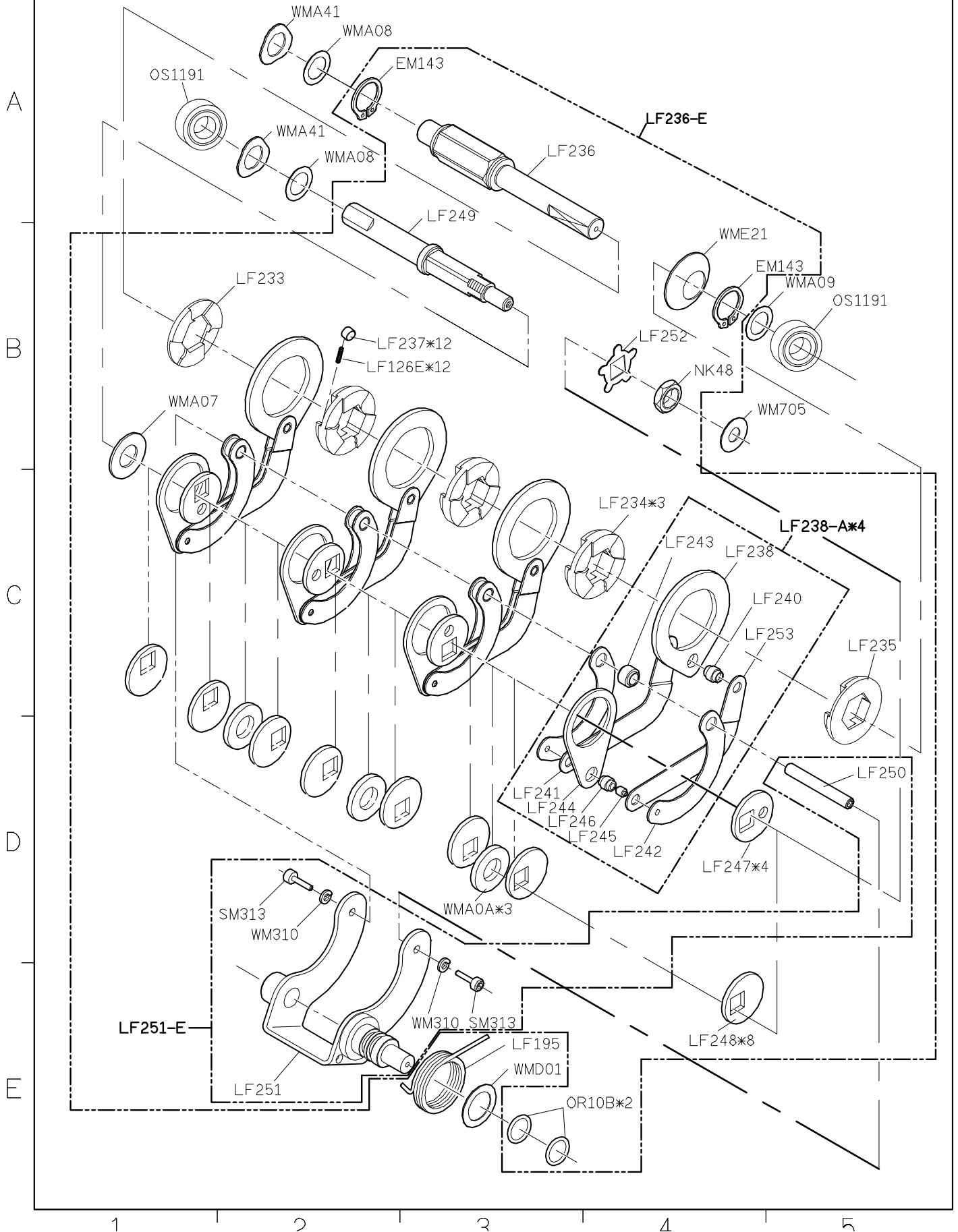
Subclass / Remark

Page

1/2

Date

2012/12/30



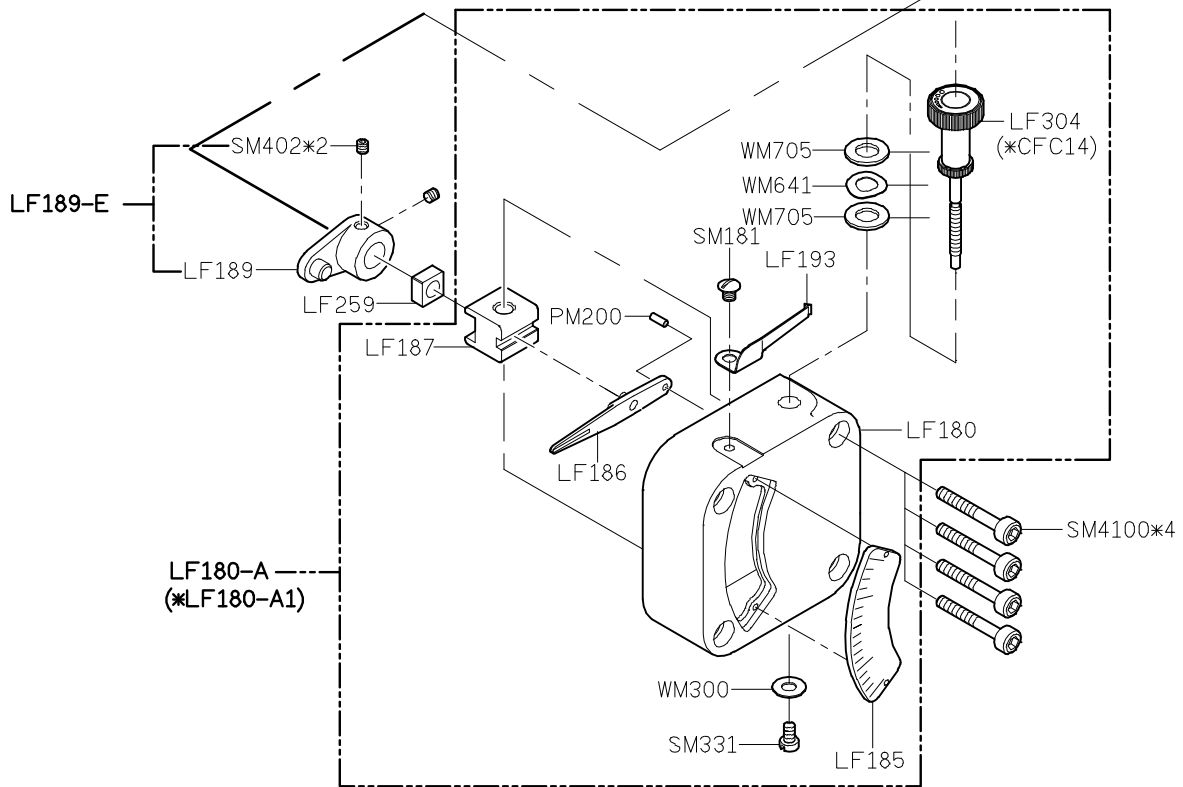
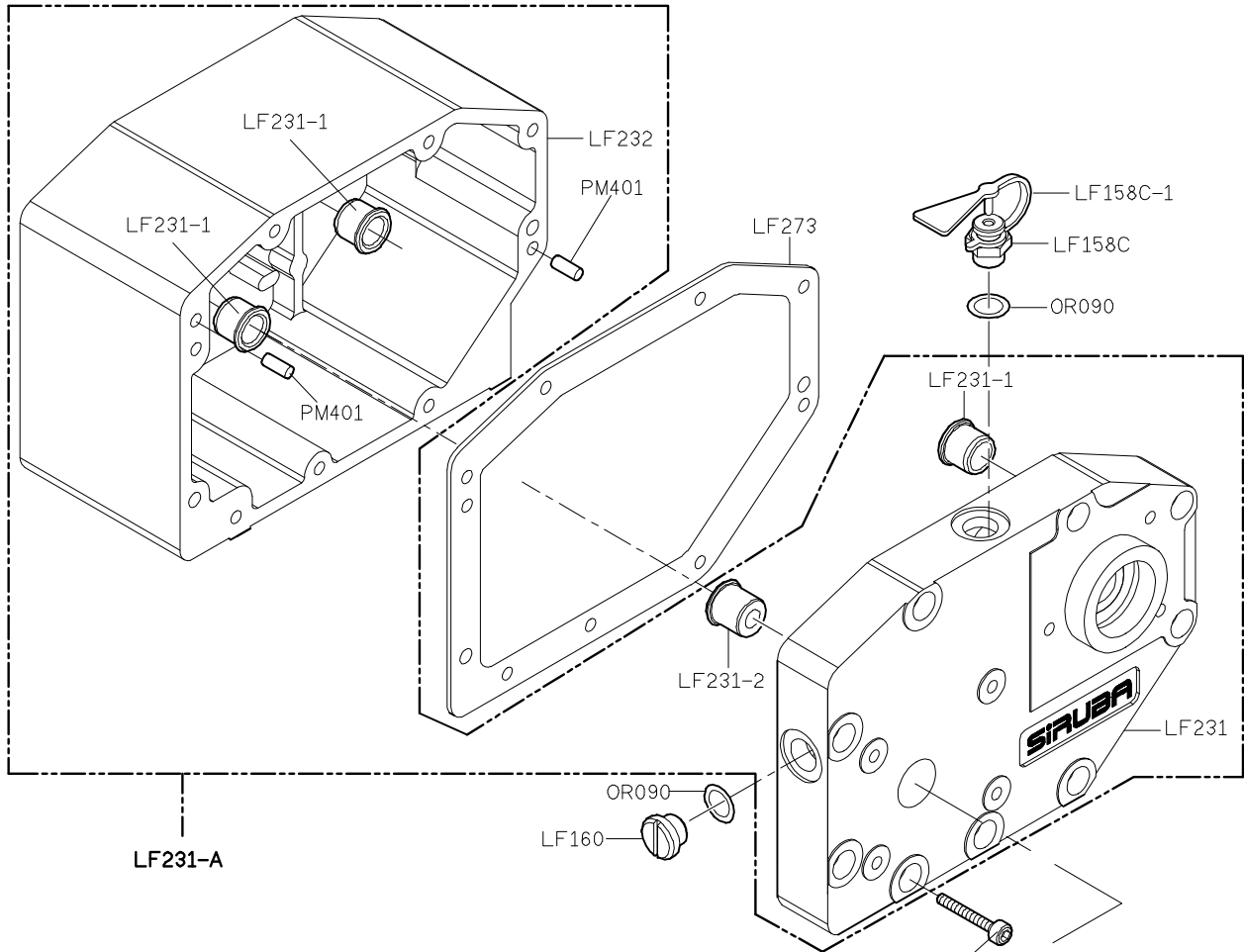
A

B

C

D

E



1

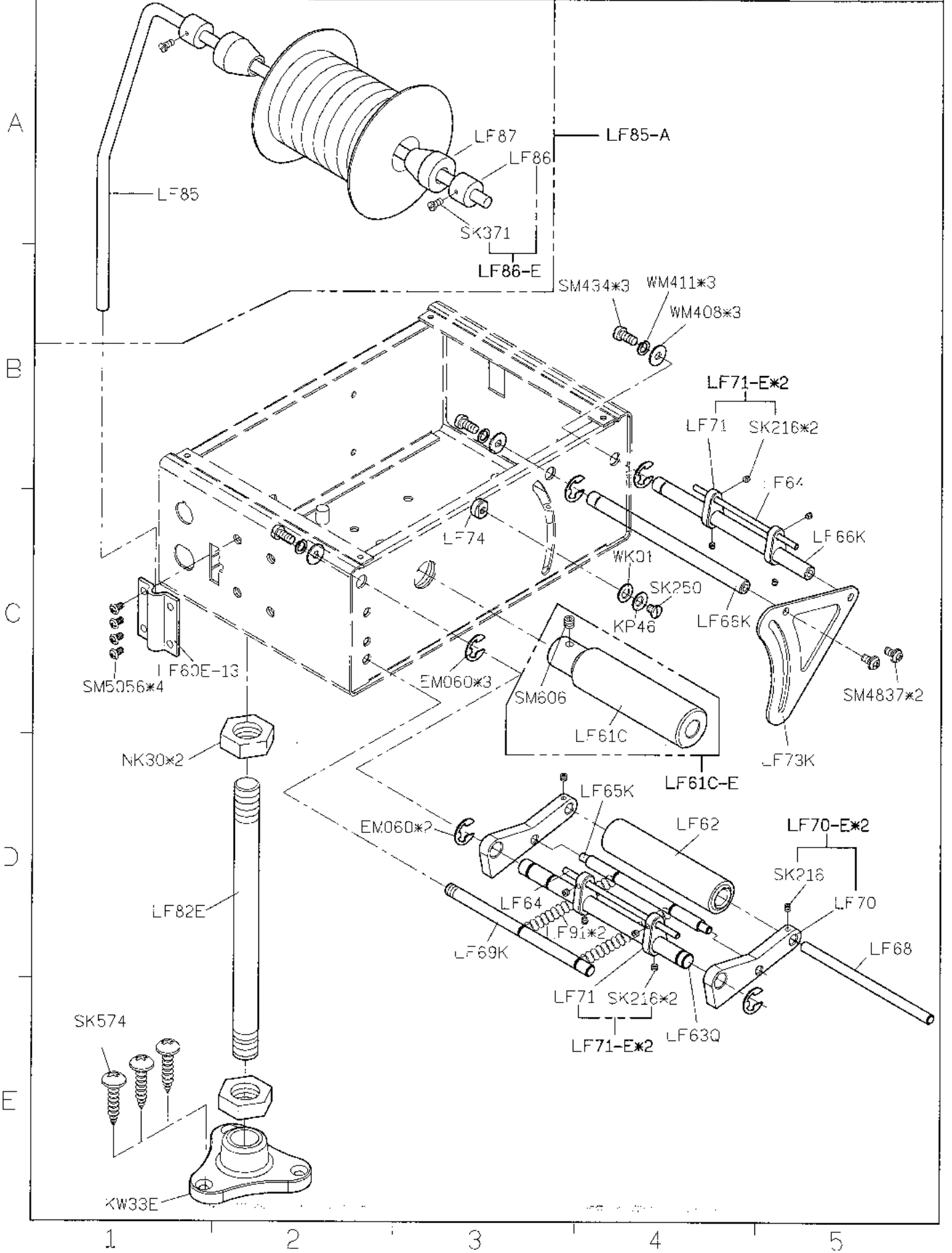
2

3

4

5

| SIRUBA PARTS LIST | Series | Parts Group | Subclass / Remark | Page |
|----------------------|------------------------|-------------|-------------------|------------|
| | 700K/700KD 988/988D | LFA | | 1/3 |
| | | | | Date |
| | | | | 2018/03/22 |



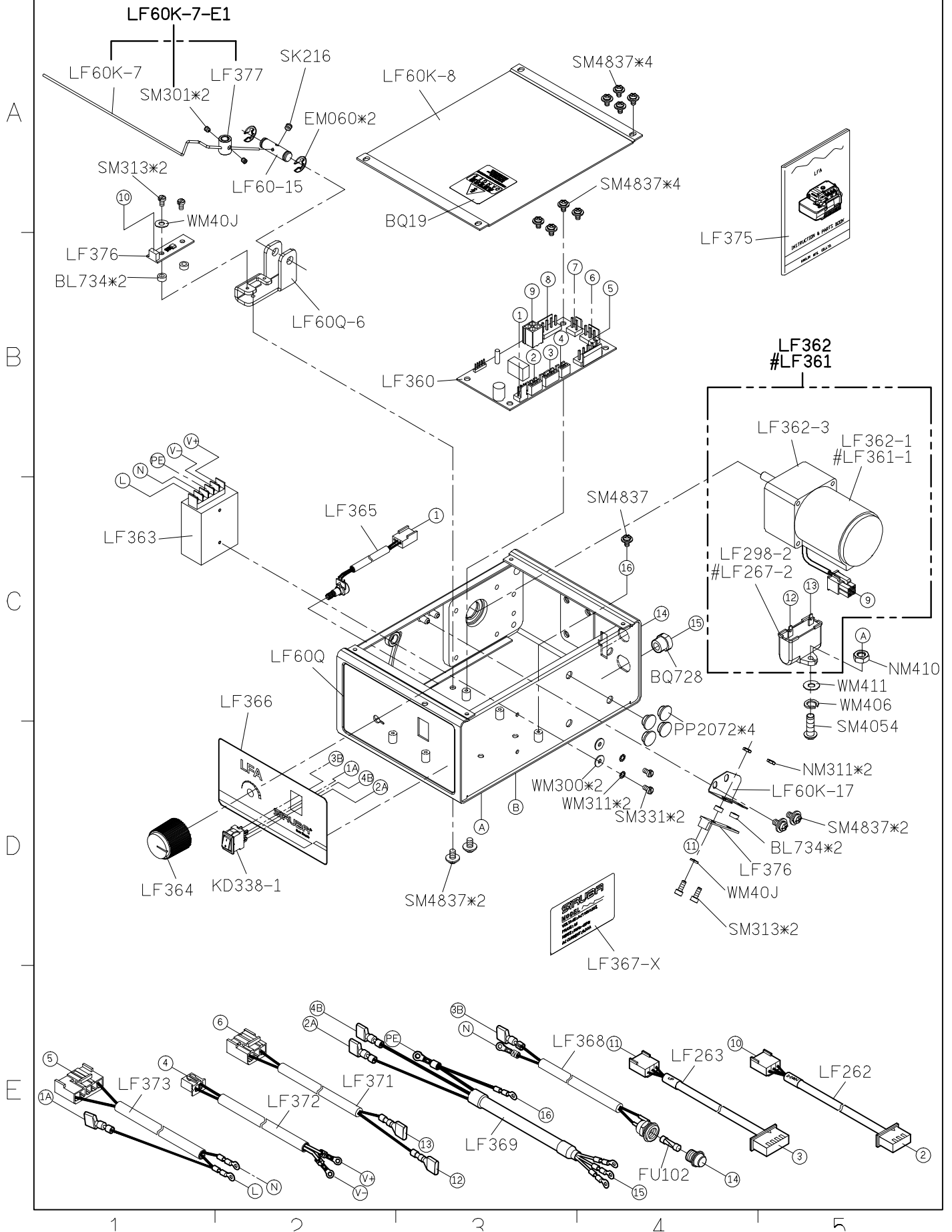
SIRUBA
PARTS LIST

Series
700K/700KD
988/988D

Parts Group
LFA

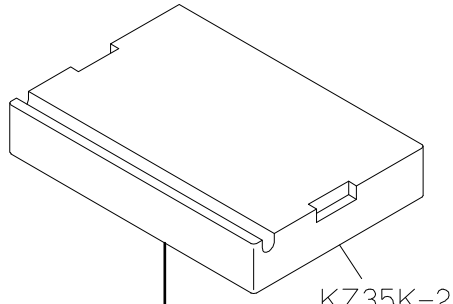
Subclass / Remark
: Use for 110V

Page
2/3
Date
2013/07/01



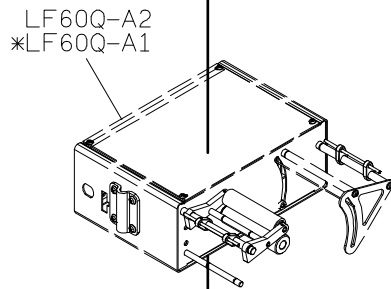
| SIRUBA PARTS LIST | Series | Parts Group | Subclass / Remark | Page |
|----------------------|------------|-------------|-------------------|------------|
| | 700K/700KD | LFA | | 3/3 |
| | 988/988D | | | Date |
| | | | | 2013/03/25 |

A



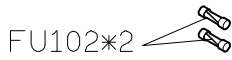
KZ35K-2

B

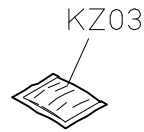


LF60Q-A2
*LF60Q-A1

C

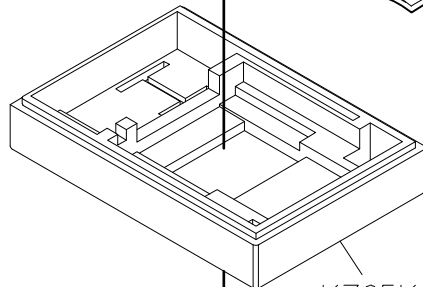


FU102*2



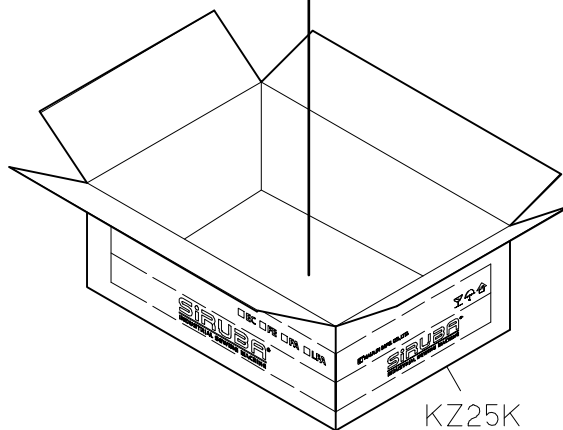
KZ03

D



KZ35K-1

E



KZ25K

1

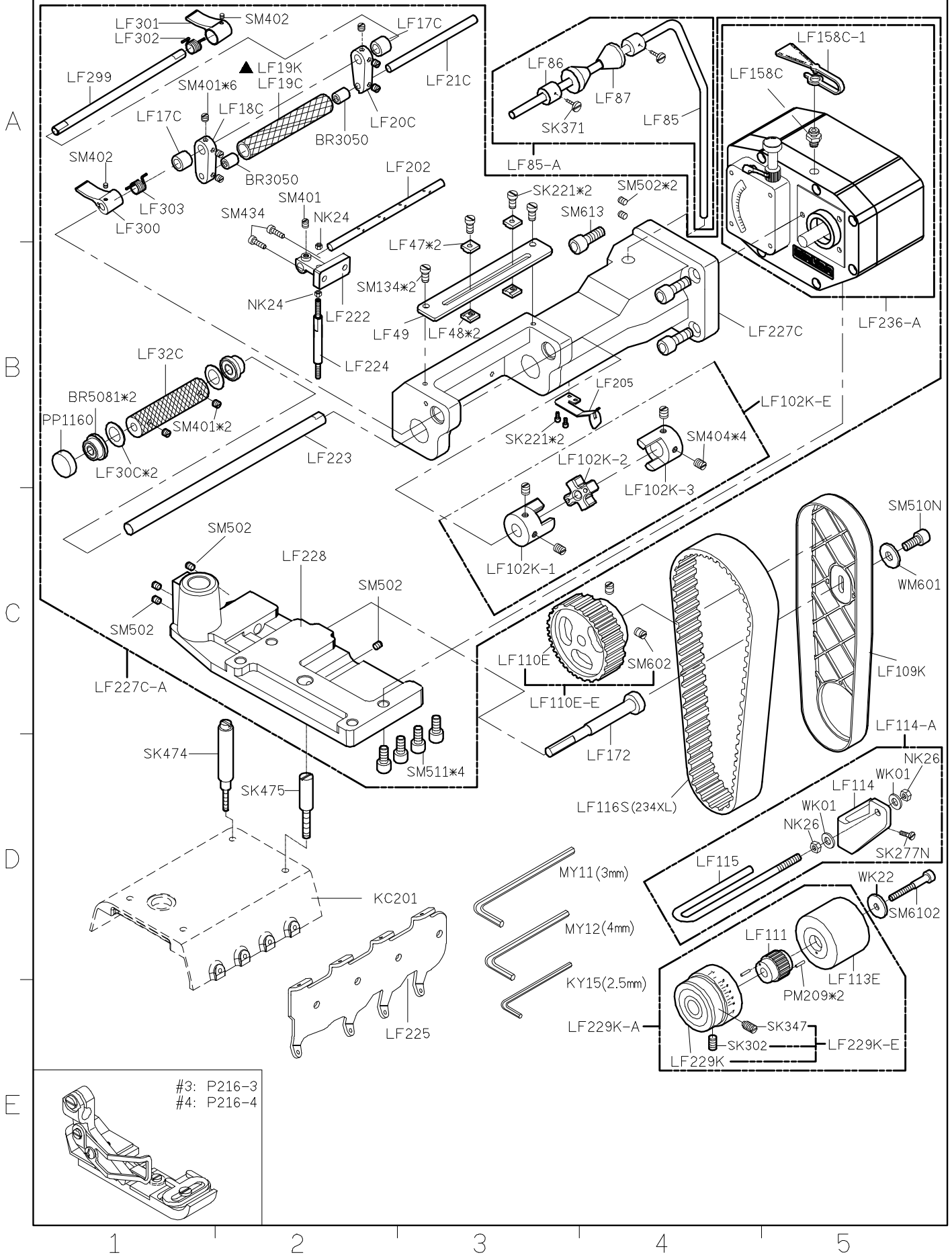
2

3

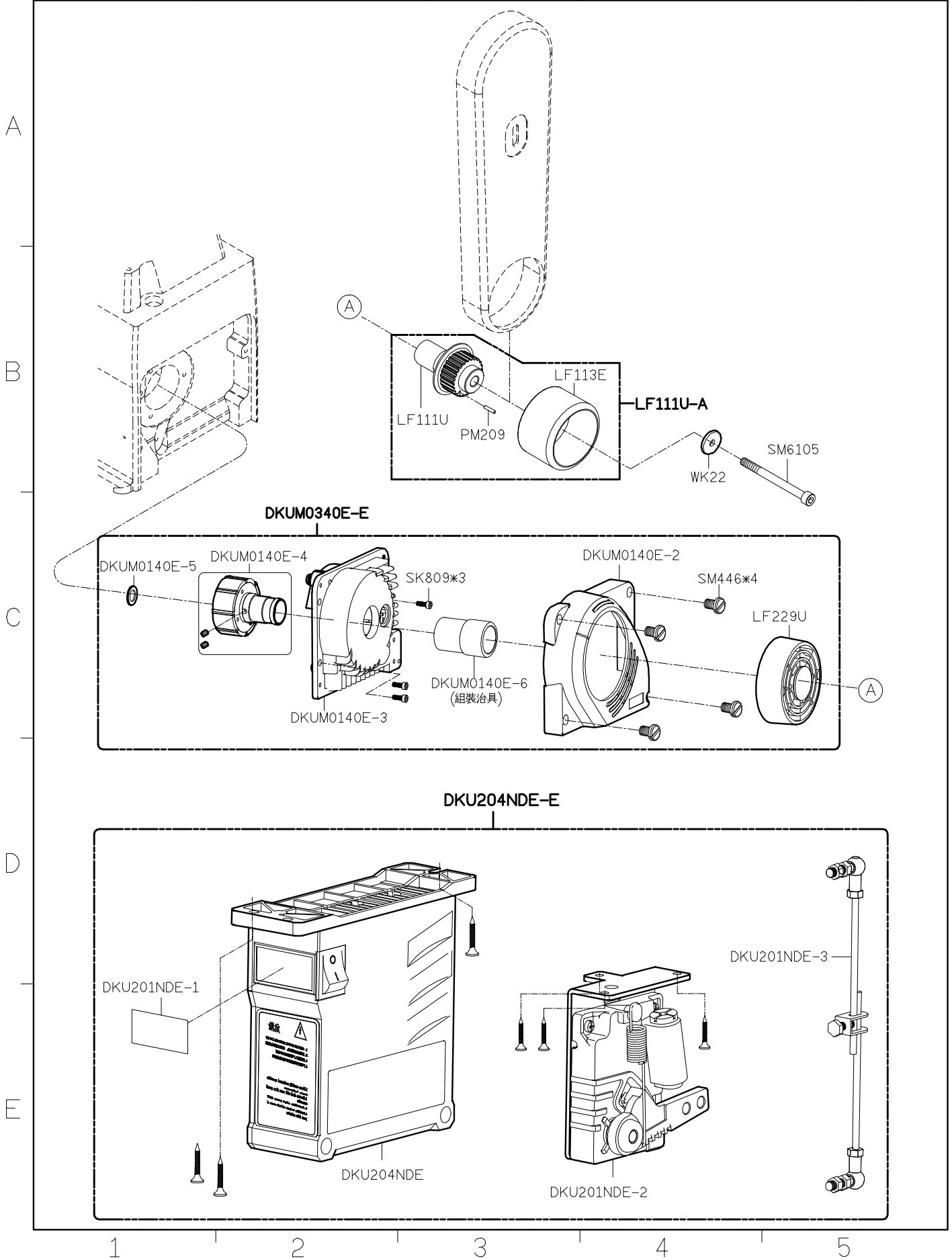
4

5

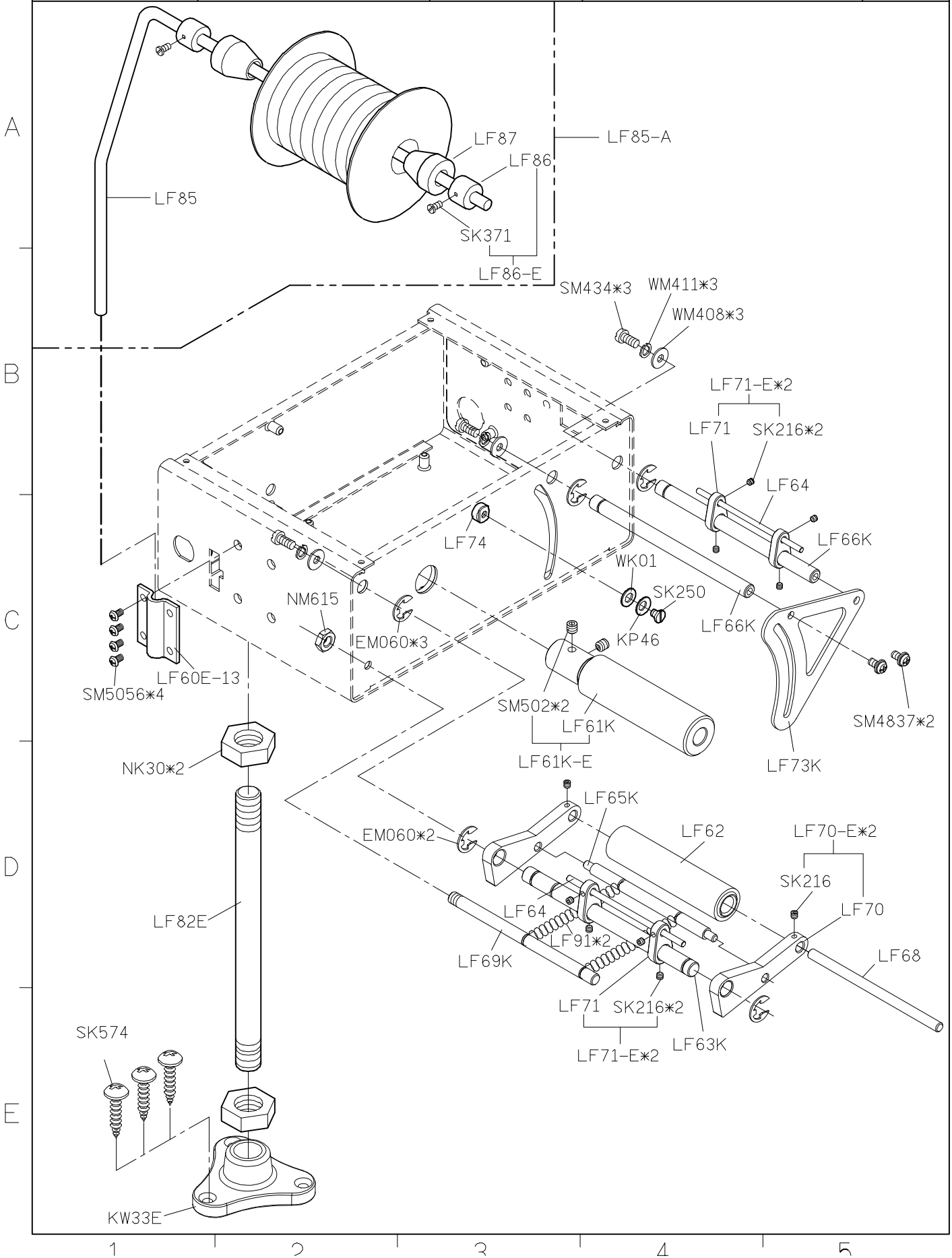
| SIRUBA PARTS LIST | Series | Parts Group | Subclass / Remark | Page |
|----------------------|--------|-------------|-------------------------------------|------------|
| | 700K | LFC-3 | ▲ 橡膠輪適用薄鬆緊帶 | 1/2 |
| | | | Rubber puller for thin elastic tape | Date |
| | | | | 2021/02/03 |



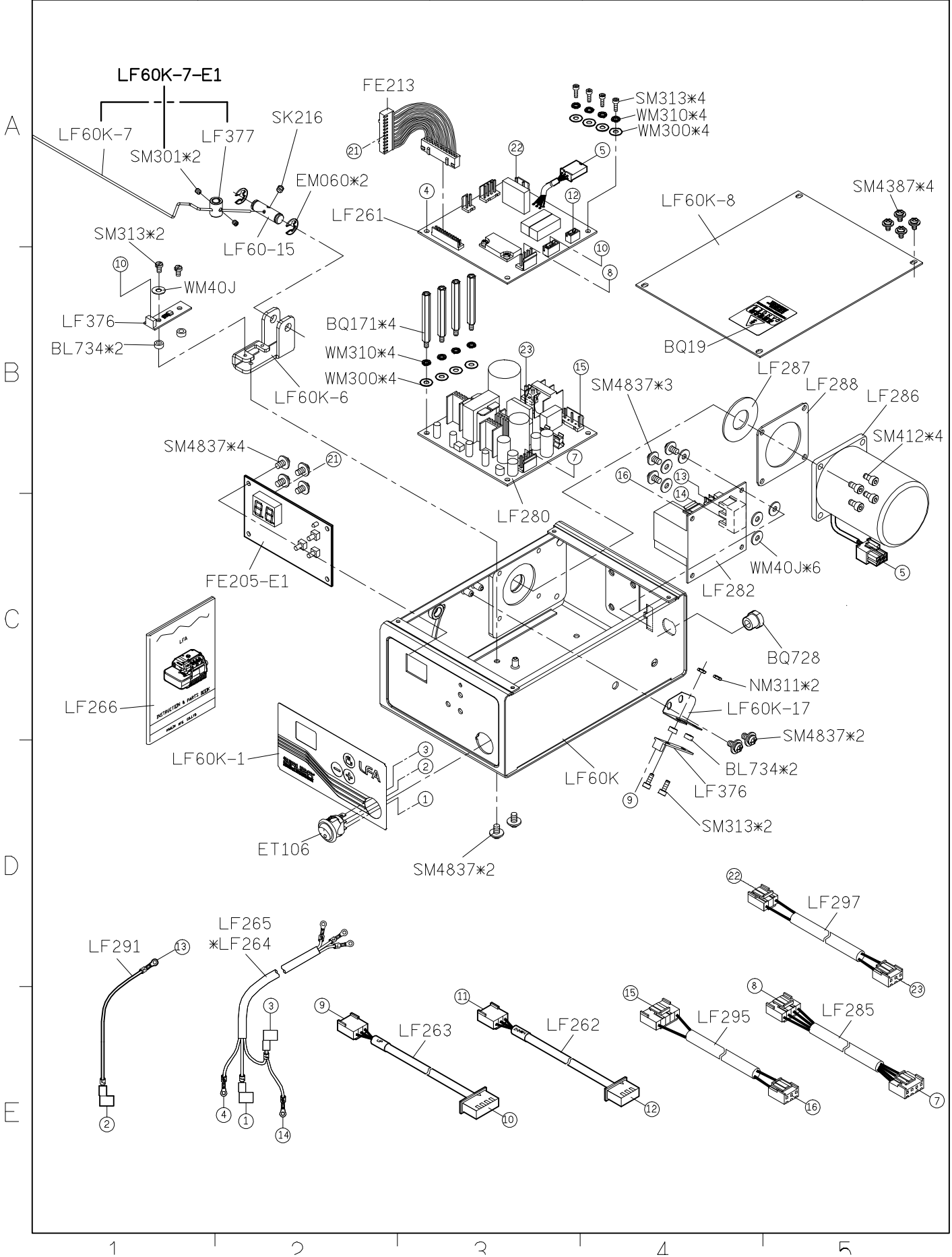
| SIRUBA PARTS LIST | Series | Parts Group | Subclass / Remark | Page |
|----------------------|--------|-------------|-------------------|------------|
| | 700K | LFC-3 | 速普簡易直驅 | 2/2 |
| | | | | Date |
| | | | | 2021/02/03 |



| SIRUBA PARTS LIST | Series | Parts Group | Subclass / Remark | Page |
|----------------------|------------|-------------|-------------------|------------|
| | 700K/700KD | LFRK | | 1/4 |
| | 988/988D | | | Date |
| | | | | 2013/03/25 |



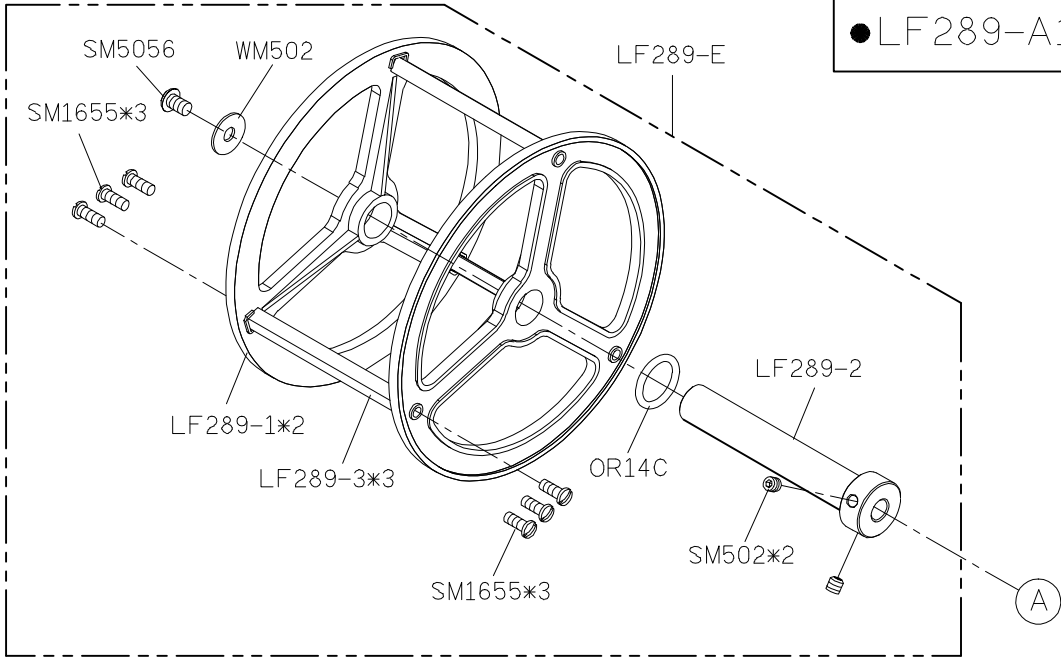
| | | | | |
|------------------------------------|------------------------|--------------------|---------------------------|-------------|
| SIRUBA PARTS LIST | Series | Parts Group | Subclass / Remark | Page |
| | 700K/700KD 988/988D | LFRK | *:Use for LFRK-D1/LFRK-D2 | 2/4 |
| | | | | Date |
| | | | | 2013/03/25 |



| | | | | |
|------------------------------------|------------------------|--------------------|---|--------------------|
| SIRUBA PARTS LIST | Series | Parts Group | Subclass / Remark | Page |
| | 700K/700KD 988/988D | LFRK | LFRK-R1/LFRK-D1 Use for Single Phase AC 110V | 3/4 |
| | | | LFRK-R2/LFRK-D2 Use for Single Phase AC 220V | Date 2013/07/01 |

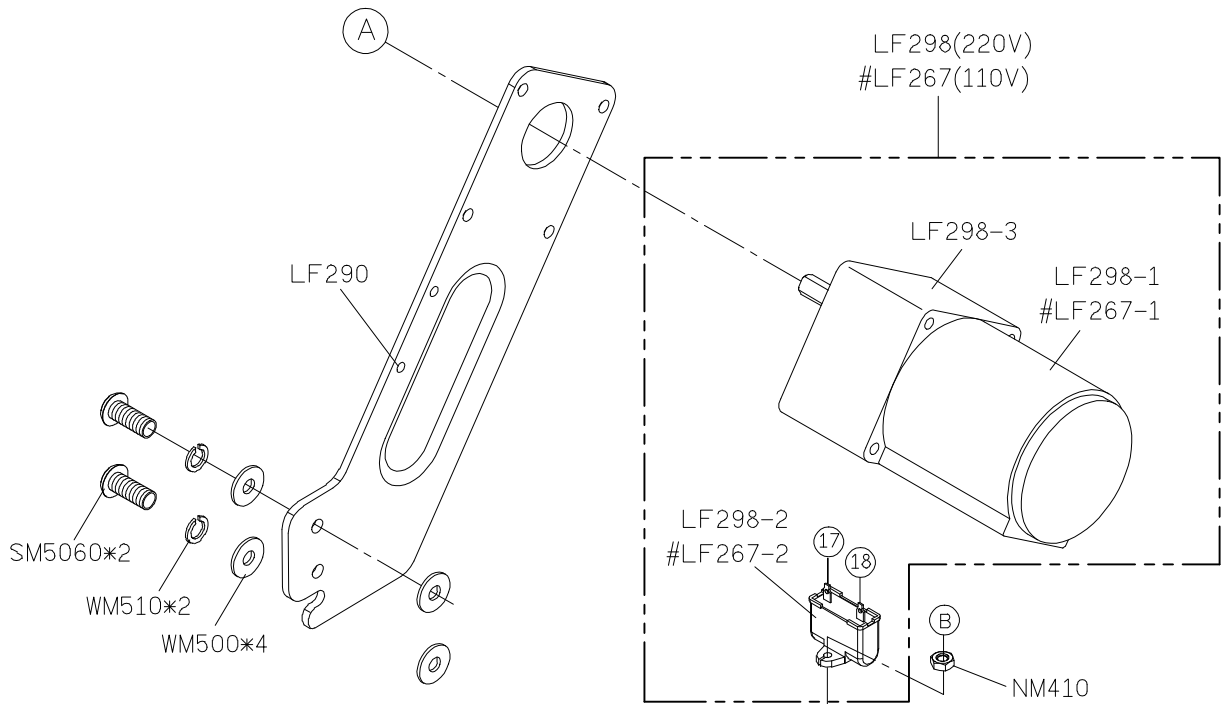
LF289-A(220V)
● LF289-A1(110V)

A



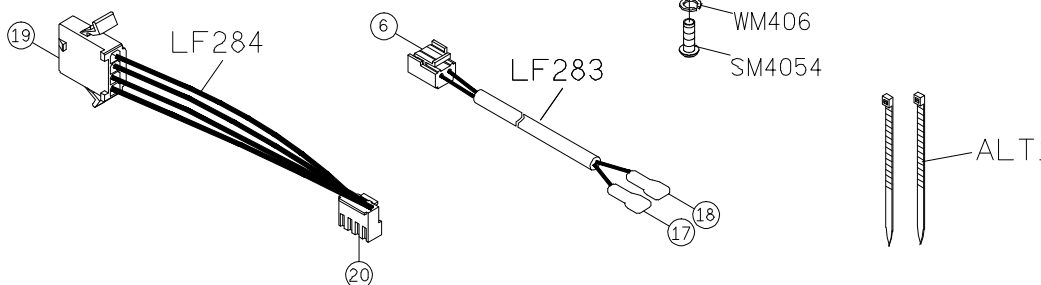
B

C



D

E



1

2

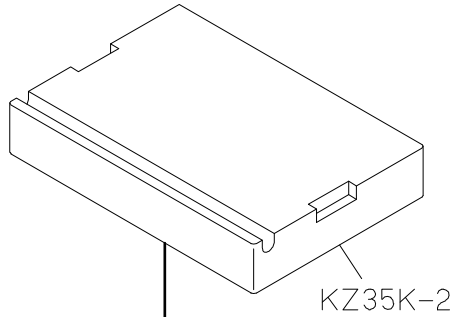
3

4

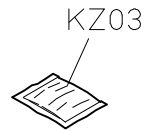
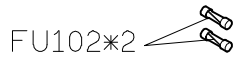
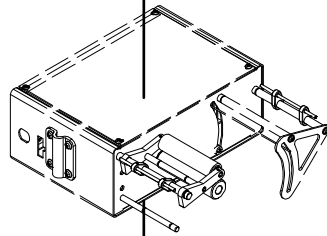
5

| SIRUBA PARTS LIST | Series | Parts Group | Subclass / Remark | Page |
|------------------------------------|------------|-------------|-------------------|------------|
| | 700K/700KD | LFRK | | 4/4 |
| | 988/988D | | | Date |
| | | | | 2013/03/25 |

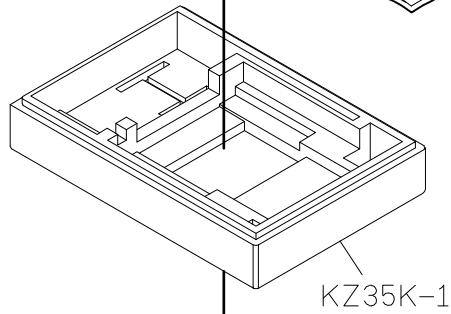
A



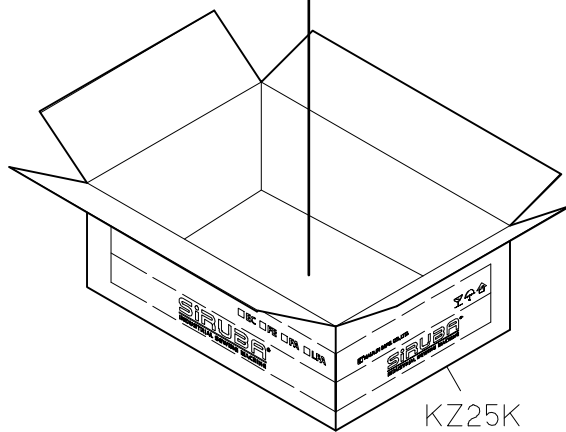
B



C



D



E

1

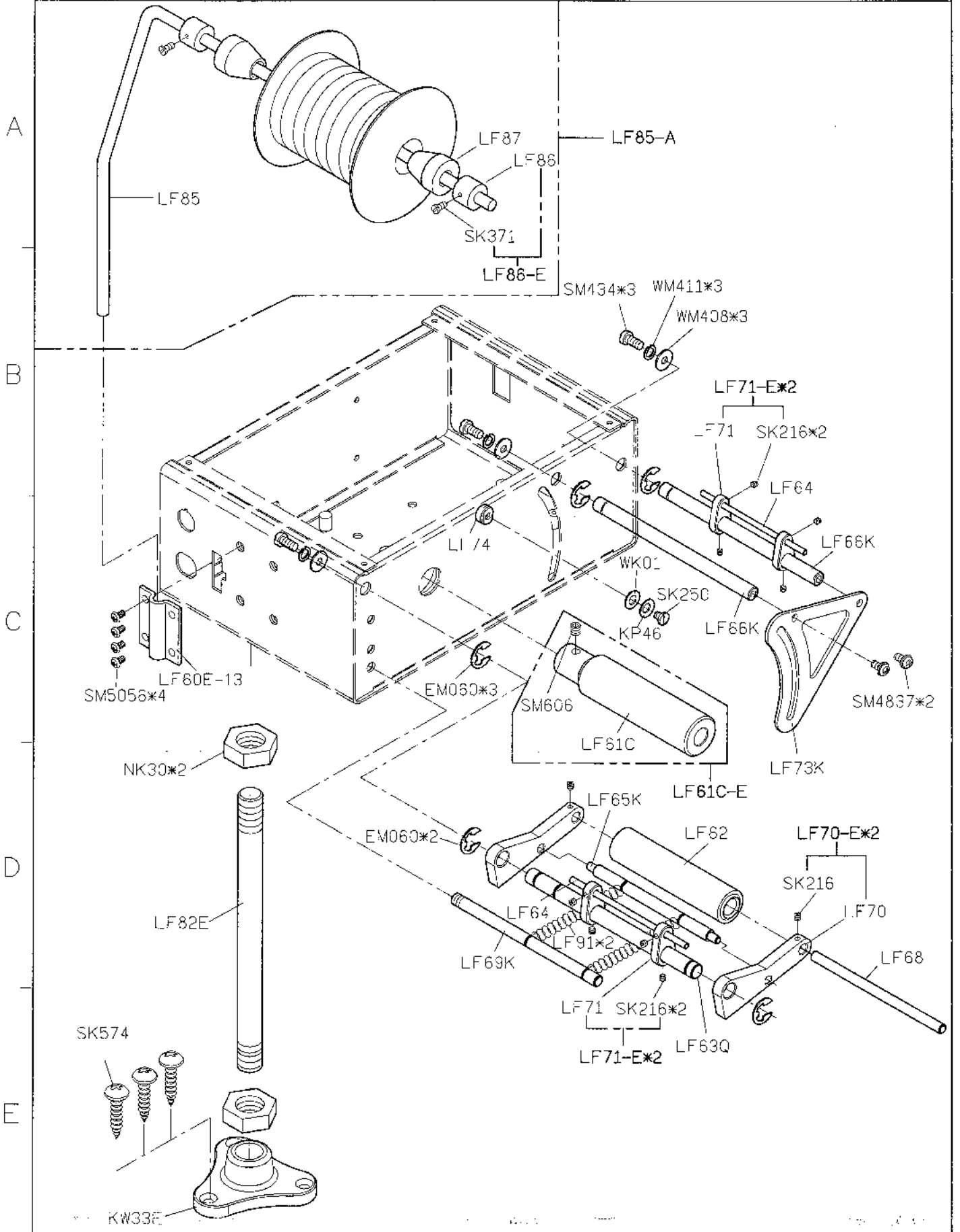
2

3

4

5

| SIRUBA PARTS LIST | Series | Parts Group | Subclass / Remark | Page |
|----------------------|------------------------|---|---|------|
| | 700K/700KD 988/988D | LFR | LFRK-R1 Use for Single Phase AC 110V | 1/4 |
| | | LFRK-R2 Use for Single Phase AC 220V | Date | |
| | | | 2018/03/22 | |



1 2 3 4 5

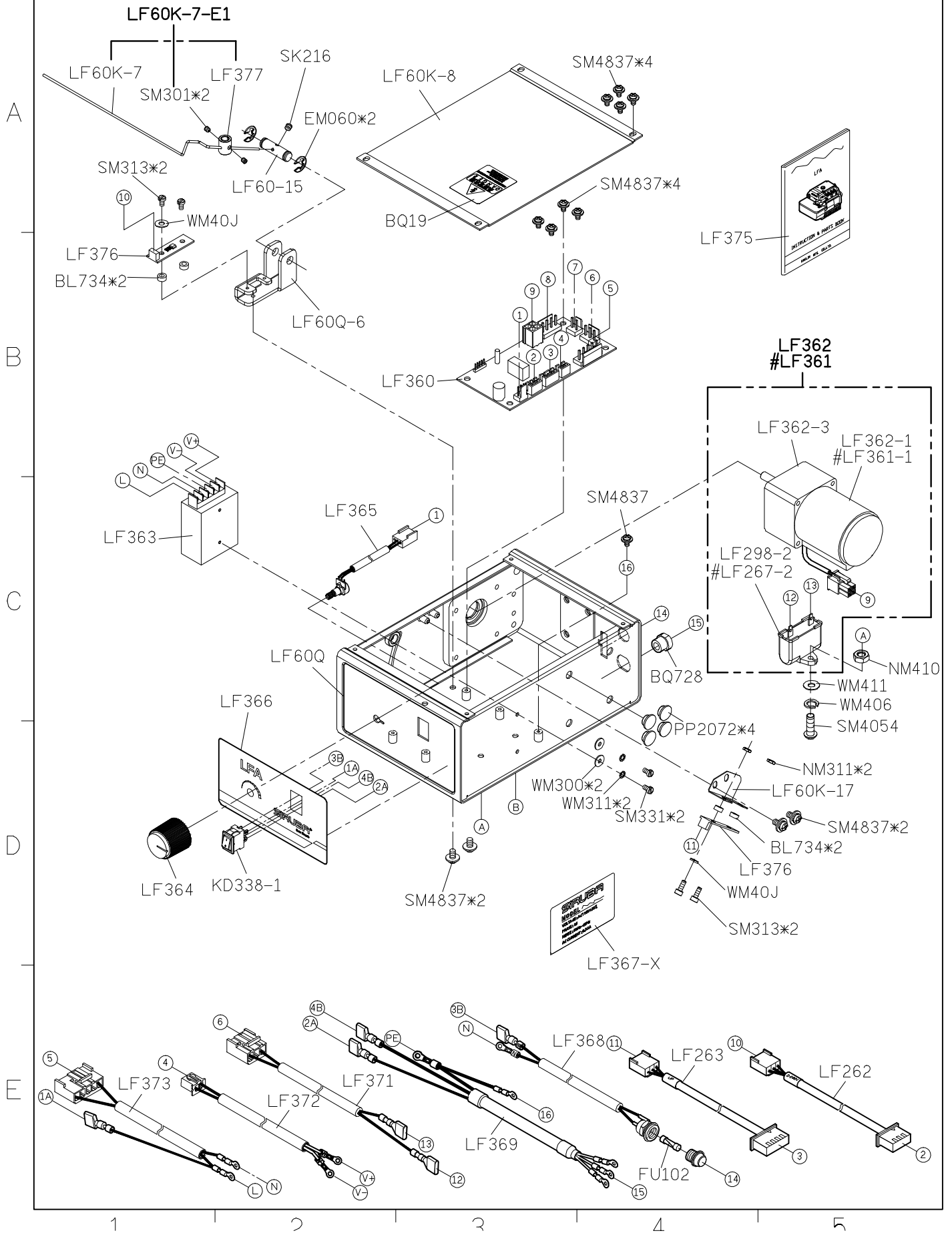
SIRUBA
PARTS LIST

Series
700K/700KD
988/988D

Parts Group
LFR

Subclass / Remark
: Use for 110V

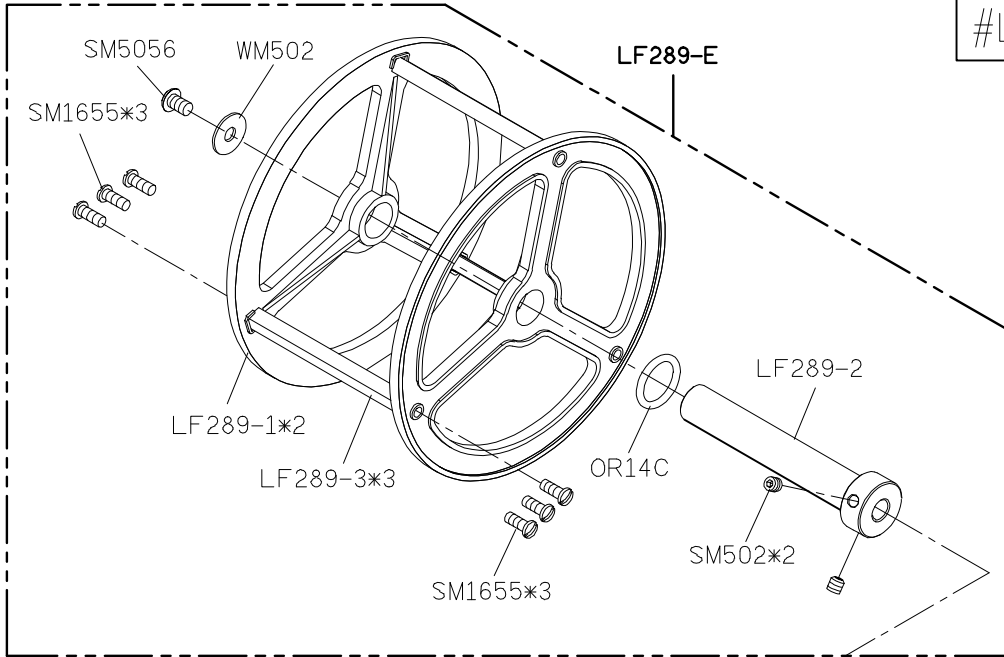
Page
2/4
Date
2013/07/01



LF290-A2(220V)
#LF290-A1(110V)

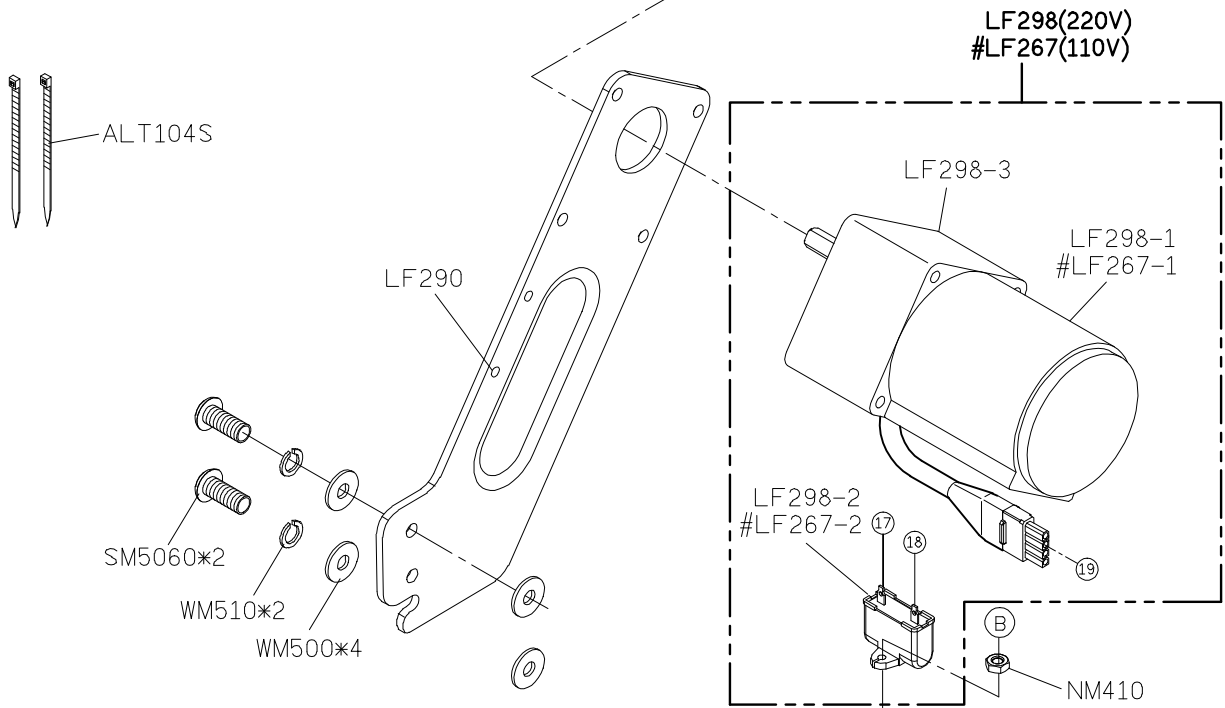
A

B

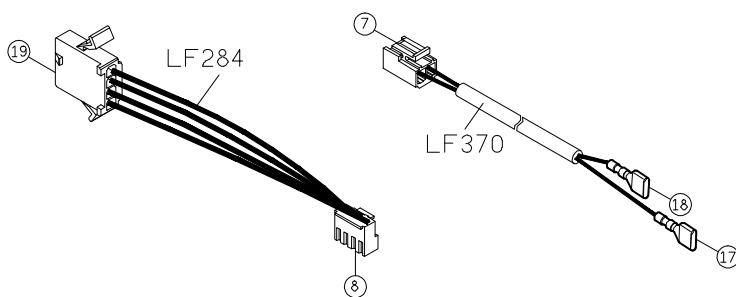


C

D

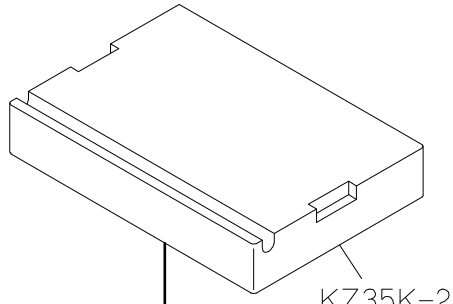


E



| SIRUBA PARTS LIST | Series | Parts Group | Subclass / Remark | Page |
|----------------------|------------------------|-------------|-------------------|------------|
| | 700K/700KD 988/988D | LFR | #:Use for 110V | 4/4 |
| | | | | Date |
| | | | | 2013/03/25 |

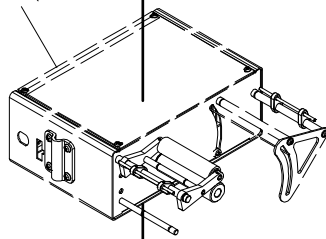
A



KZ35K-2

B

LF60Q-RA2
#LF60Q-RA1

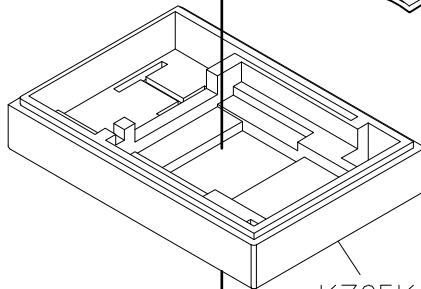


FU102*2

KZ03

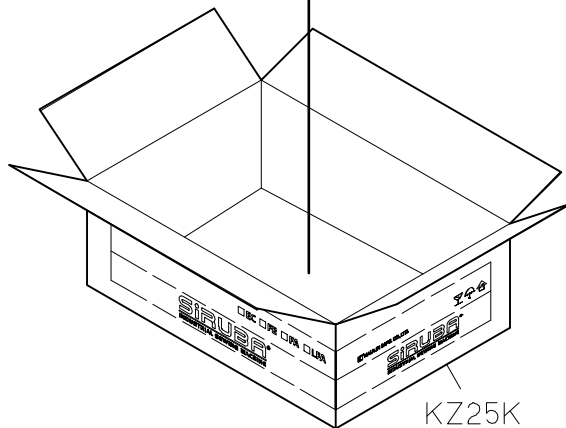


C



KZ35K-1

D



KZ25K

E

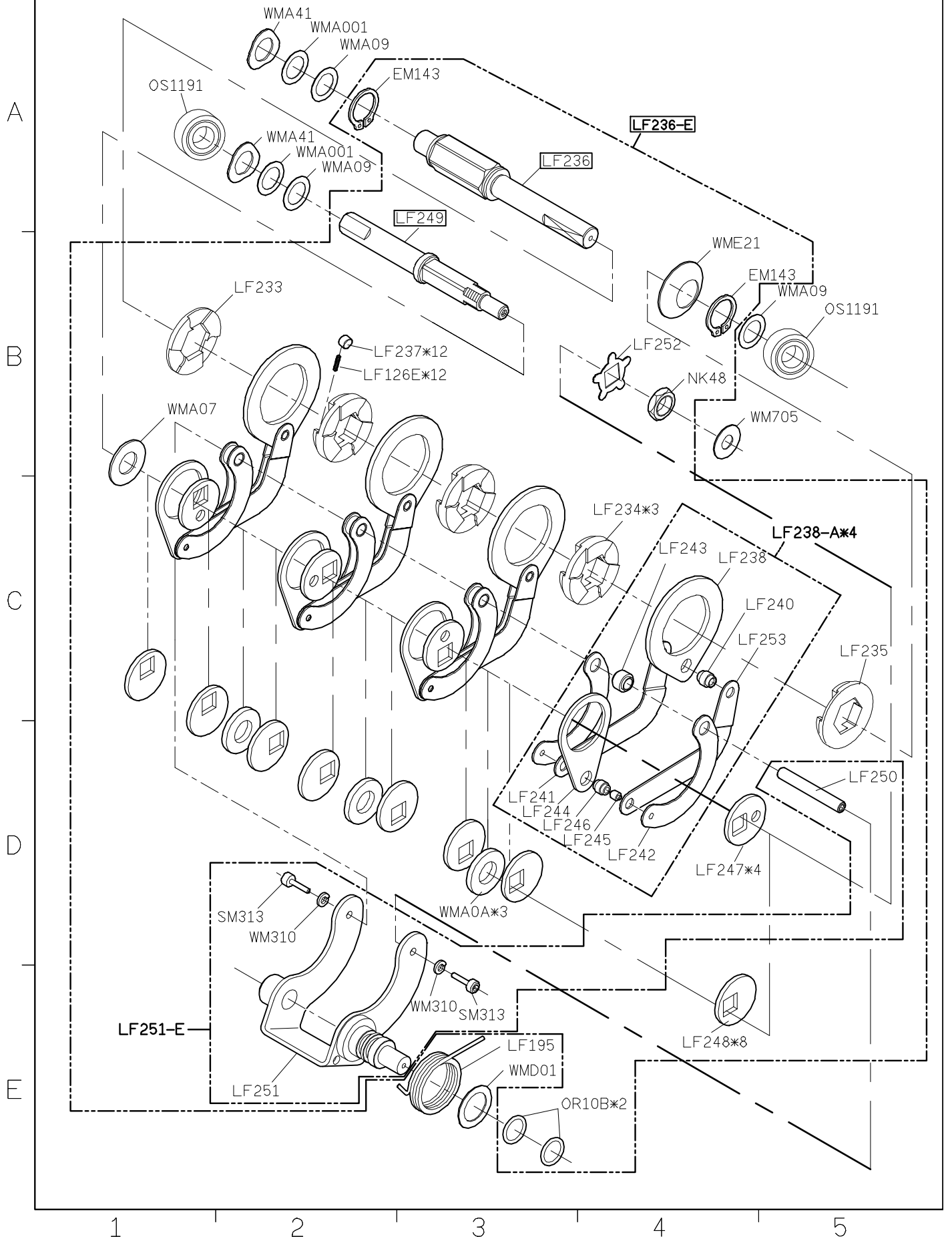
1

2

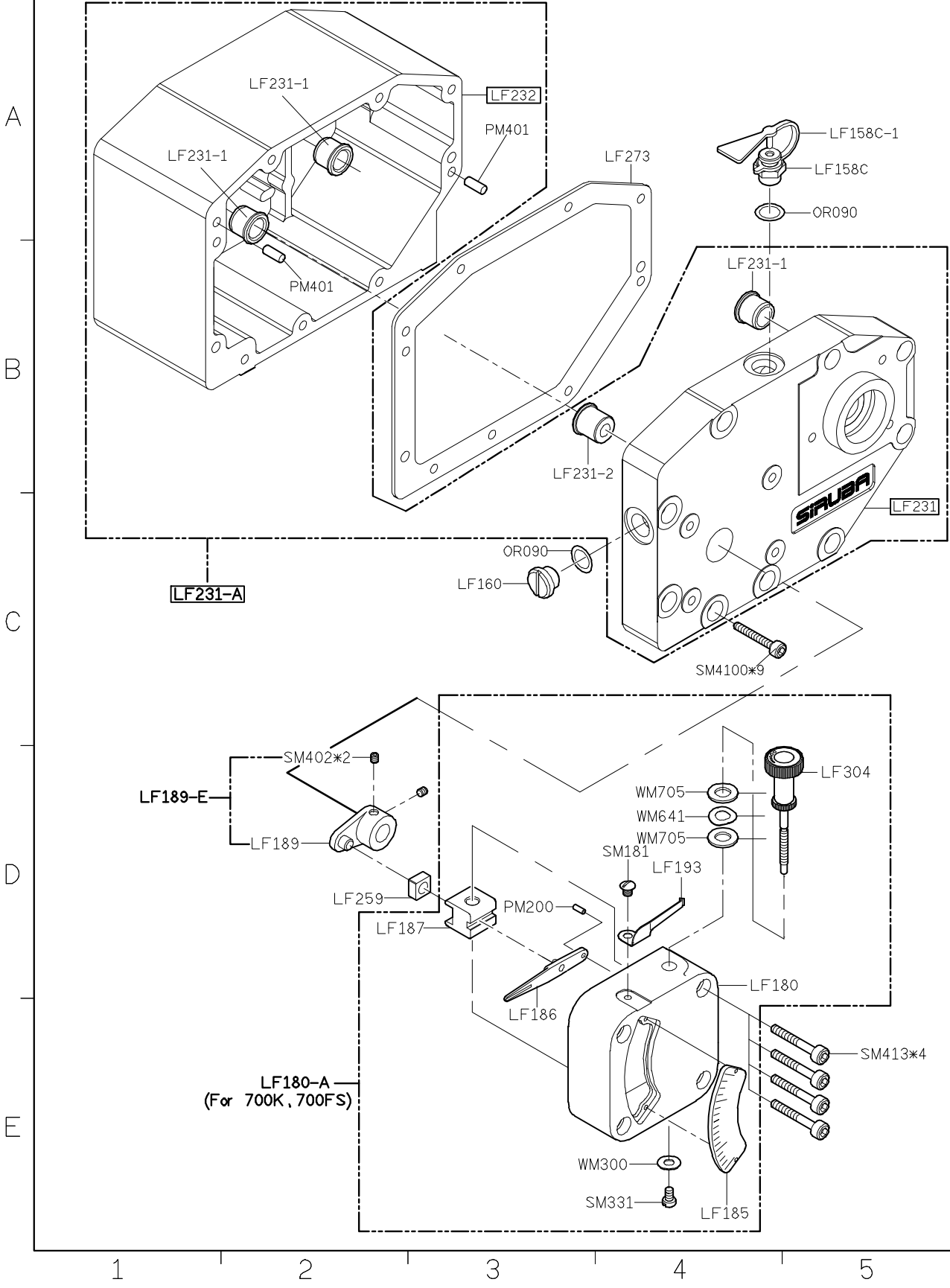
3

4

5



| | | | | |
|------------------------------------|-------------------|--------------------|--------------------------|-------------------|
| SIRUBA PARTS LIST | Series | Parts Group | Subclass / Remark | Page |
| | 700K/700KD | LFT | | 2/3 |
| | 988/988D | | | Date |
| | | | | 2013/01/28 |



| | | | | | | | |
|------------------------------------|-------------------|--|--|--|--------------------|--------------------------|-------------------|
| SIRUBA PARTS LIST | Series | | | | Parts Group | Subclass / Remark | Page |
| | 700K/700KD | | | | LFT | | 3/3 |
| | 988/988D | | | | | | Date |
| | | | | | | | 2013/01/28 |

| | | | | |
|-------|---------|--------|---------|---------|
| 適用機型 | 700K | 700FS | FFC | CFC |
| 變速箱代號 | LF236-A | LF75-A | CFC14-A | CFC61-A |
| 差異零件 | LF231 | | | CFC60 |
| | LF232 | | | CFC61 |
| | LF231-A | | | CFC60-A |
| | LF236 | | | CFC63 |
| | LF249 | LF75 | LF249 | CFC62 |
| | LF236-E | LF75-E | LF236-E | CFC62-E |

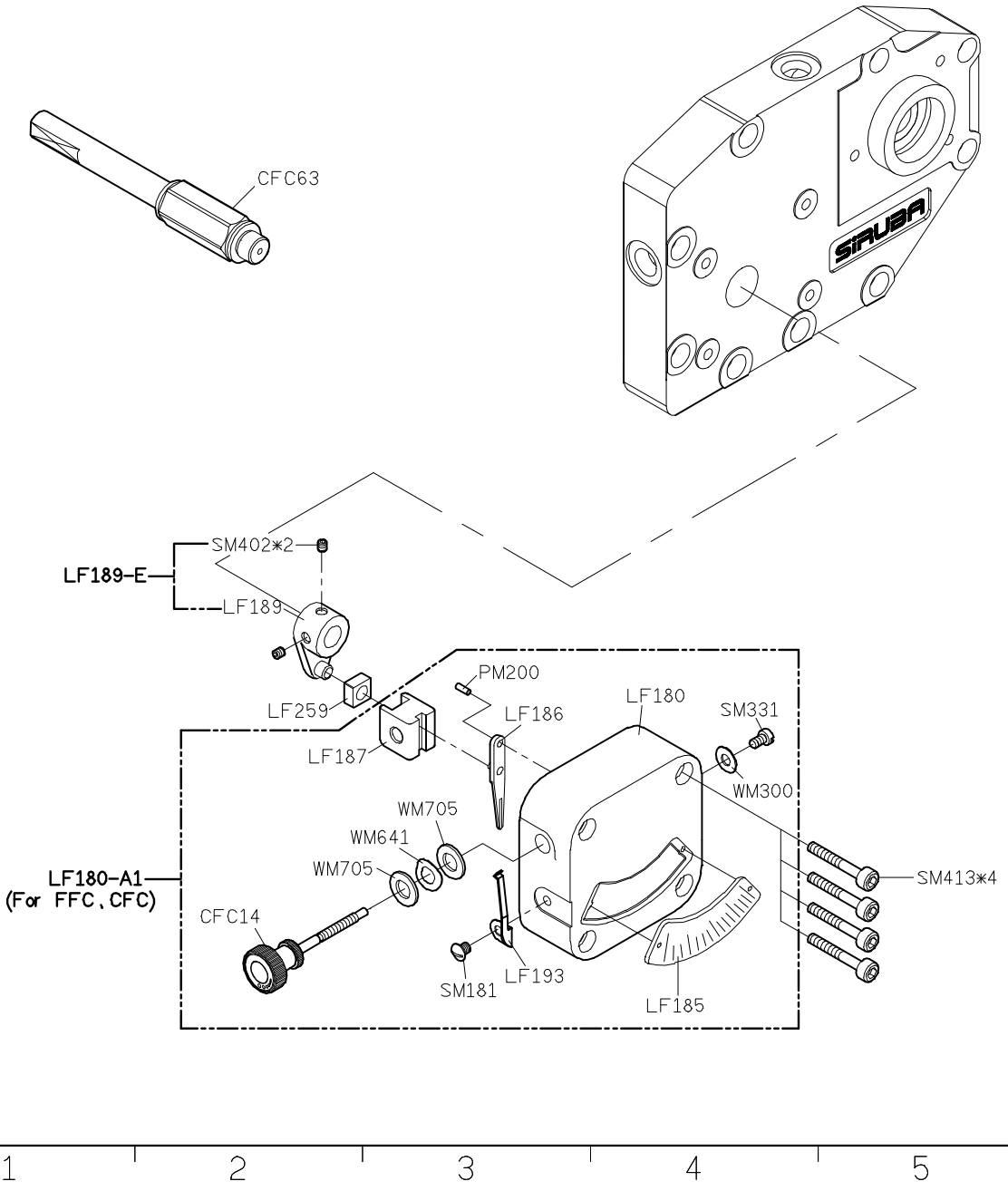
A

B

C

D

E



| SIRUBA PARTS LIST | Series | Parts Group | Subclass / Remark | Page |
|----------------------|-------------------------------------|-------------|-------------------|--------------------|
| | 700K/988 ^{2nd} MO-6800S | PS-K1 | | 1/1 |
| | | | | Date 2016/06/25 |

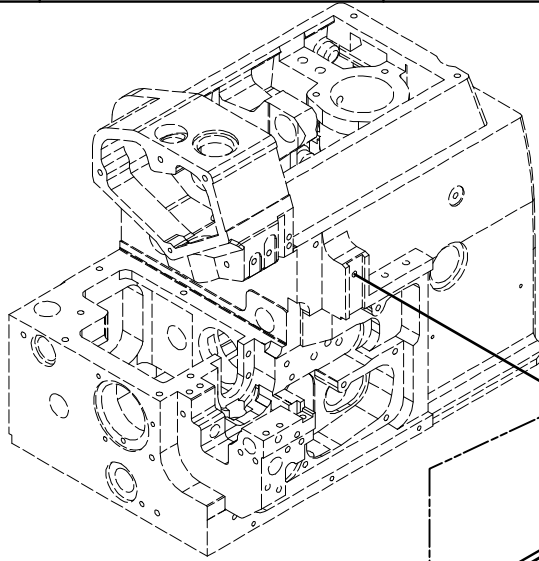
A

B

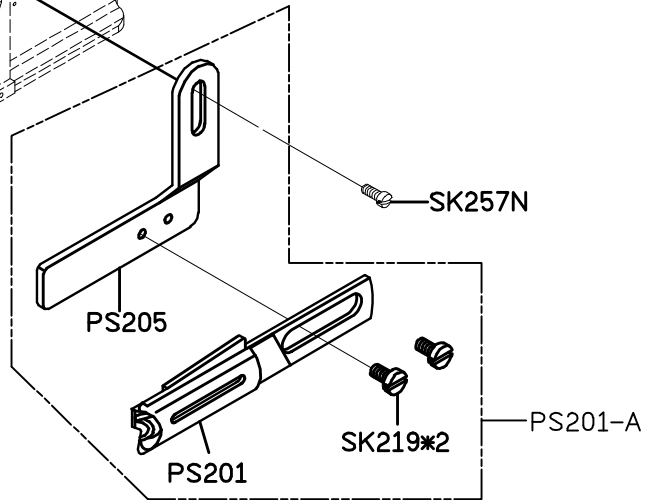
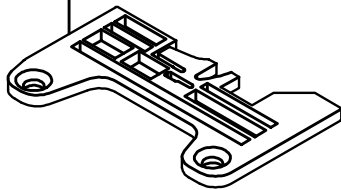
C

D

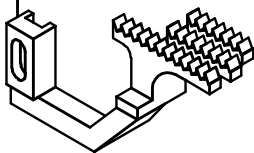
E



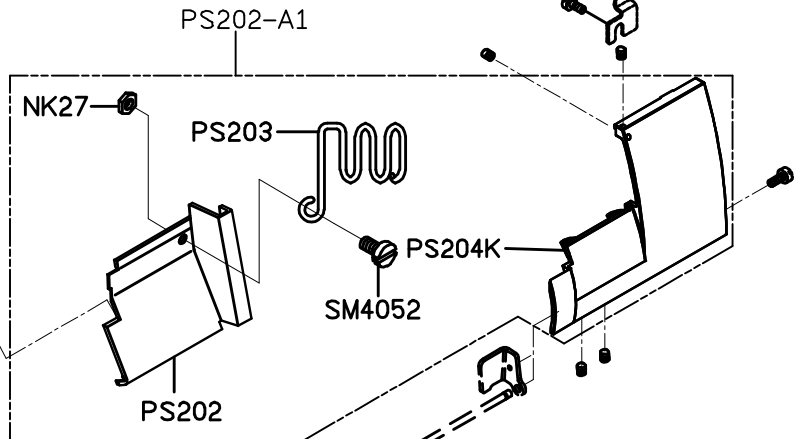
E227 for 3*5
E228 for 5*5



H214K for 3*5
H215K for 5*5



P504JS-A for 3*5
P502JS-A for 5*5

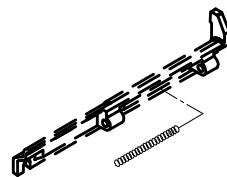


SK230

SK208

KS42

P504S for 3*5
P502S for 5*5



PS04

1

2

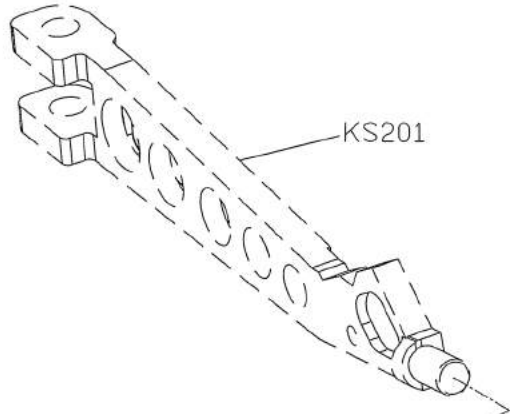
3

4

5

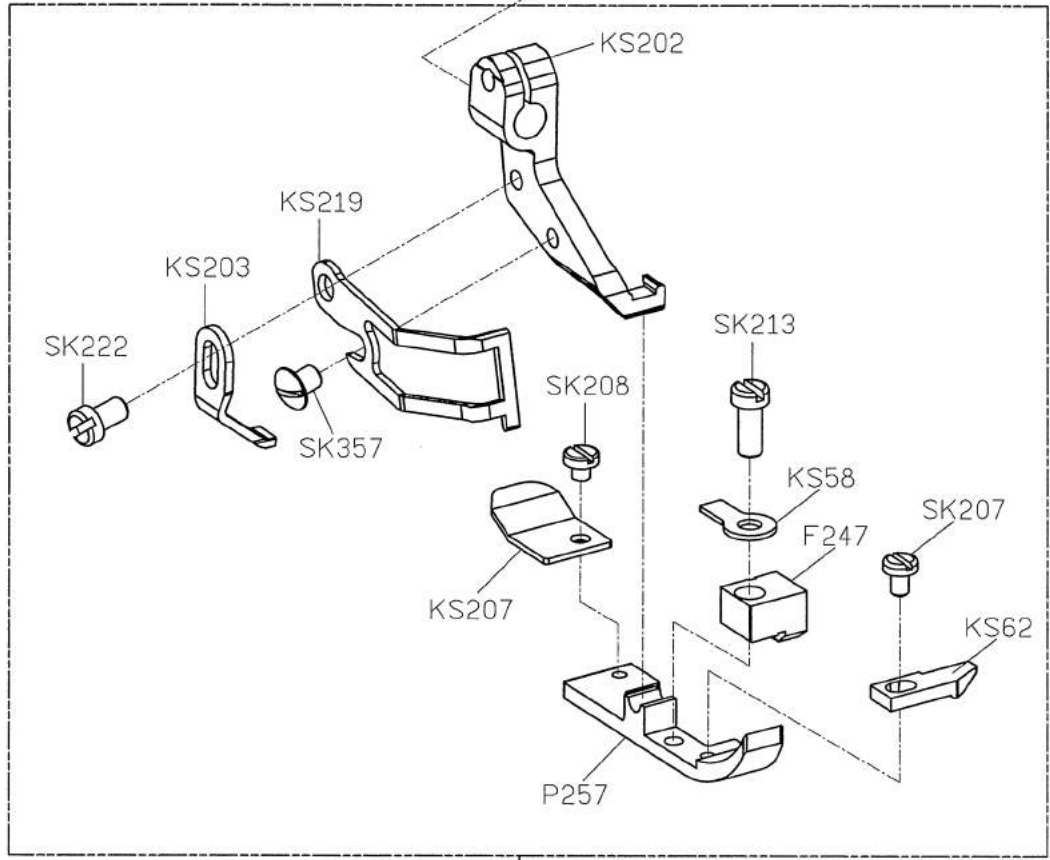
| SIRUBA PARTS LIST | Series | Parts Group | Subclass Remark | Page |
|----------------------|------------|-------------|-----------------|------------|
| | 700K/700Qe | PZ-K | | 1/1 |
| | 988/988Qe | | | Date |
| | | | | 2013/03/11 |

A



B

C



D

E

P257-A

1

2

3

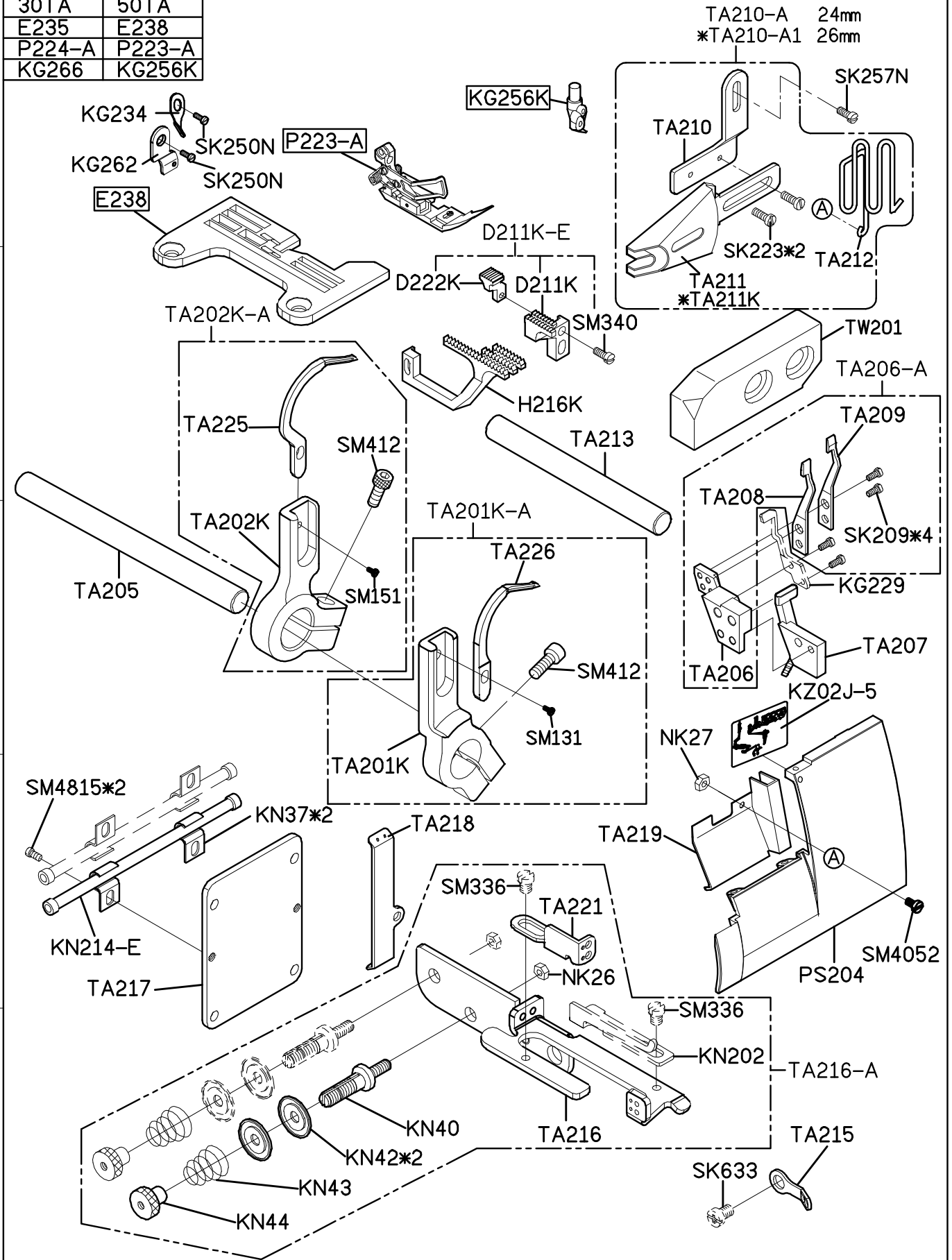
4

5

| | | | | |
|------------------------------------|------------------------|--------------------|--------------------------|-------------|
| SIRUBA PARTS LIST | Series | Parts Group | Subclass / Remark | Page |
| | 700K/700KD 988/988D | TA-K | | 1/1 |
| | | | | Date |
| | | | | 2016/06/25 |

| | |
|--------|--------|
| 30TA | 50TA |
| E235 | E238 |
| P224-A | P223-A |
| KG266 | KG256K |

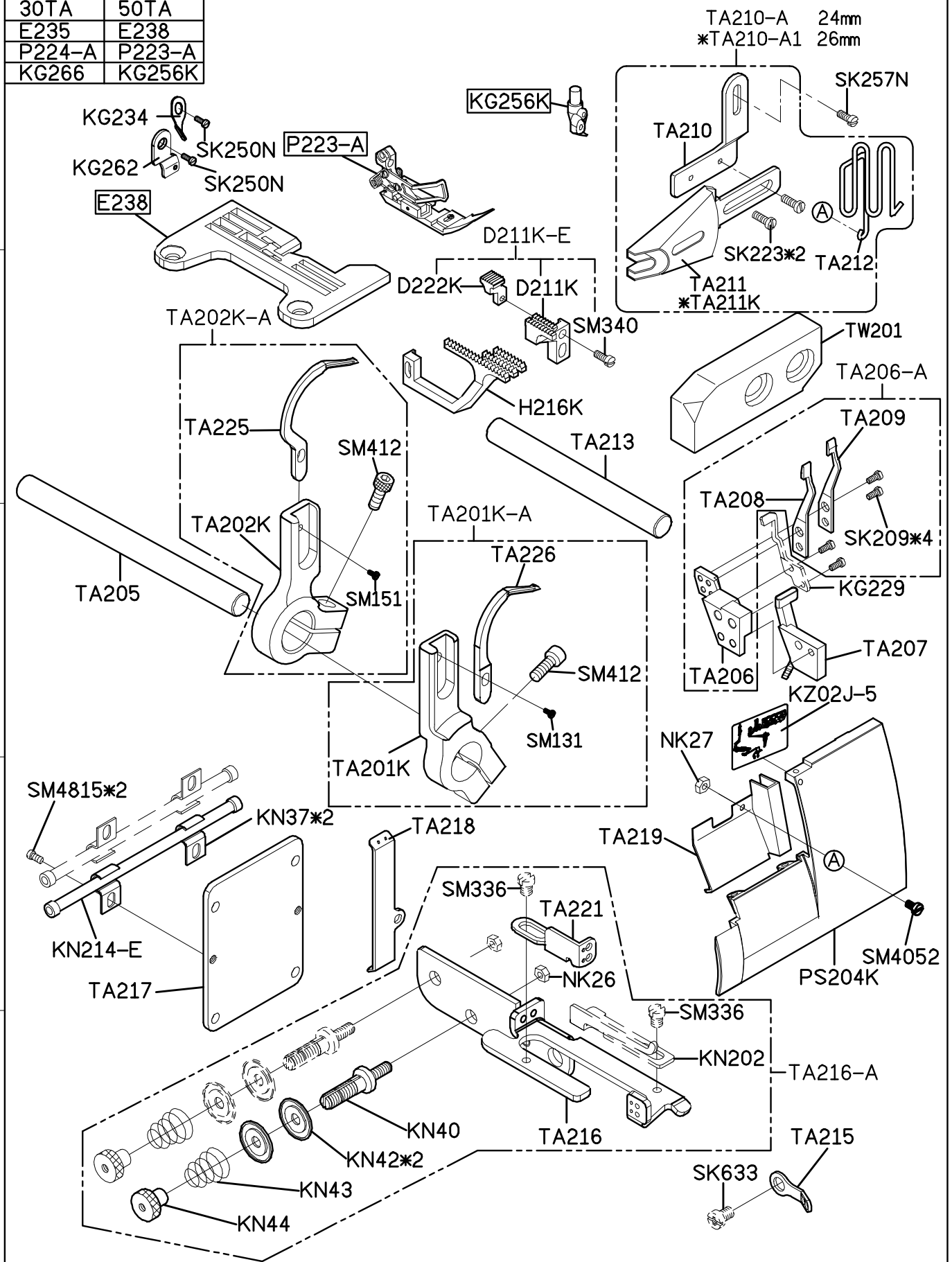
A
B
C
D
E



| | | | | |
|------------------------------------|-------------------------------|--------------------|--------------------------|-------------|
| SIRUBA PARTS LIST | Series | Parts Group | Subclass / Remark | Page |
| | 700K/988^{2nd} | TA-K1 | | 1/1 |
| | MO-6800S | | | Date |
| | | | | 2016/06/25 |

| | |
|--------|--------|
| 30TA | 50TA |
| E235 | E238 |
| P224-A | P223-A |
| KG266 | KG256K |

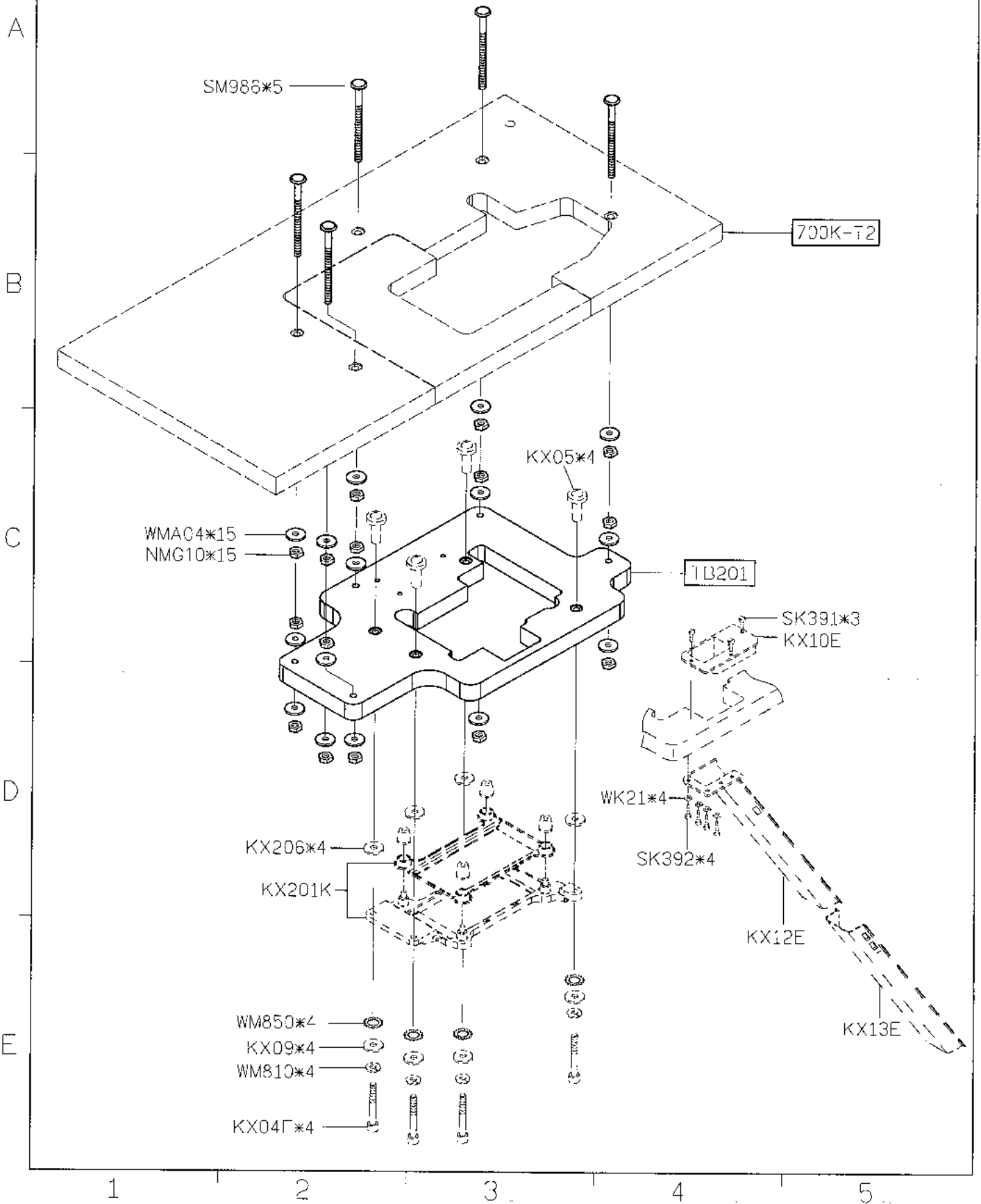
A
B
C
D
E



1 2 3 4 5

| | | | | |
|-----------------------------|-----------------------------|-------------|--|--------------------|
| SIRUBA PARTS LIST | Series | Parts Group | Subclass / Remark | Page |
| | 700K/700KD/700L 988/988D | TBK | TBK-1 for 700K/988/700L TBKD-1 for 700KD/988D | 1/1 |
| | | | | Date 2018/08/28 |

| | | |
|-------|-----------------------|---------------------|
| MODEL | TBK-1(700K/988/700L用) | TBKD-1(700KD/988D用) |
| TBK | TB201 | TB201D |
| TABLE | 700K-T2 | 700KD-T2 |



| SIRUBA PARTS LIST | Series | Parts Group | Subclass / Remark | Page |
|----------------------|------------|-------------|-------------------|------------|
| | 700K/700KD | TG | | 1/1 |
| | 988/988D | | | Date |
| | | | | 2012/12/18 |

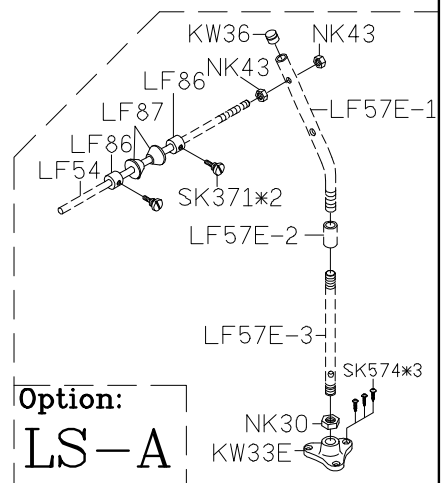
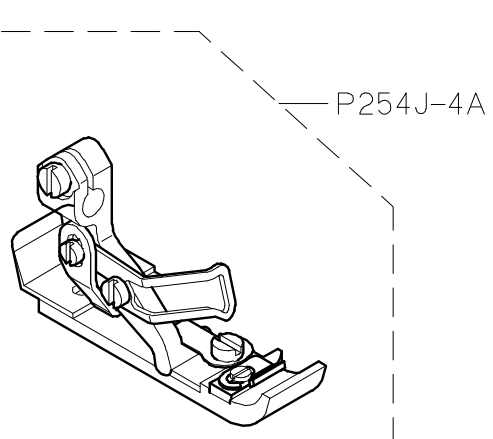
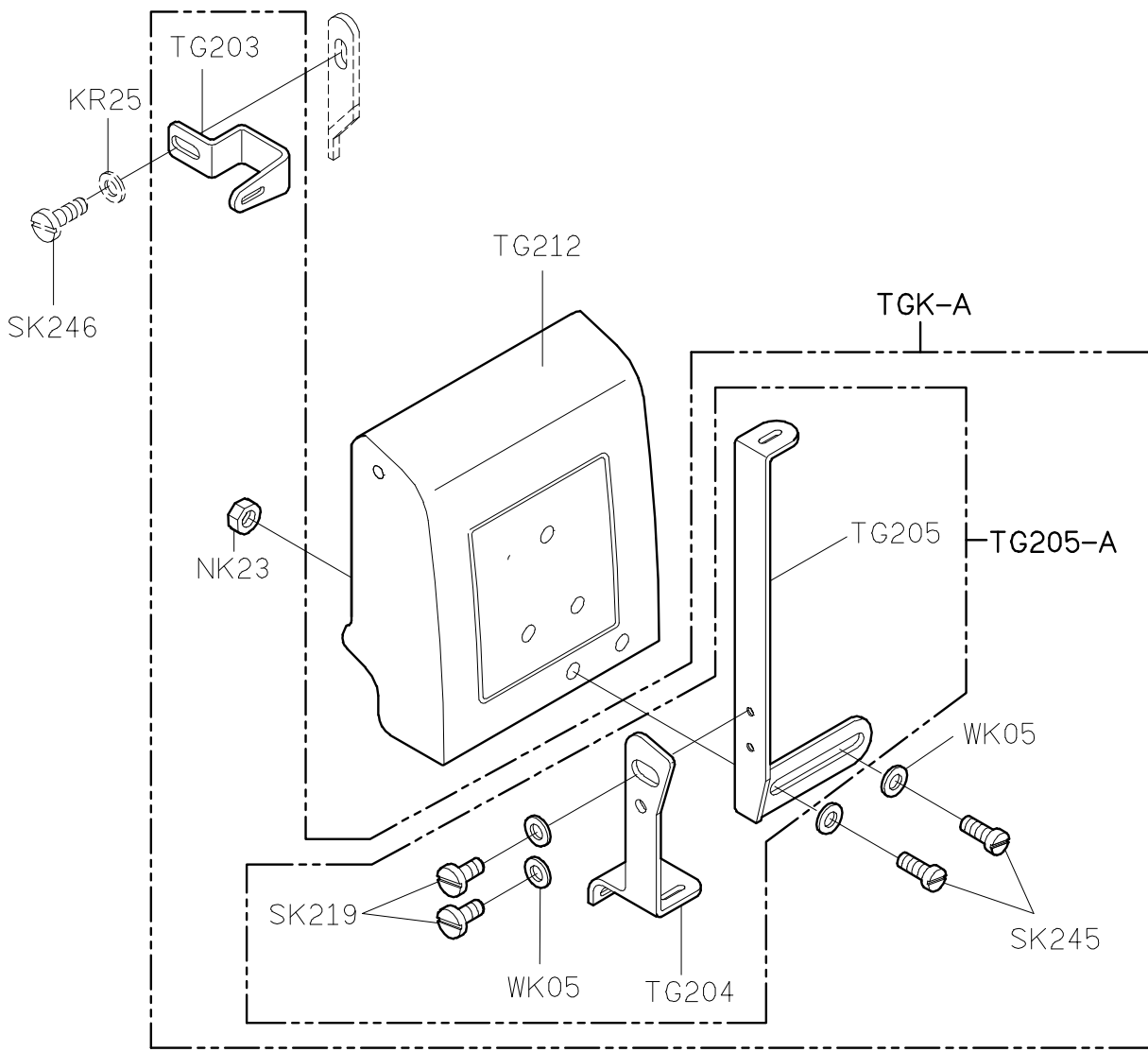
A

B

C

D

E



Option:
LS-A

1

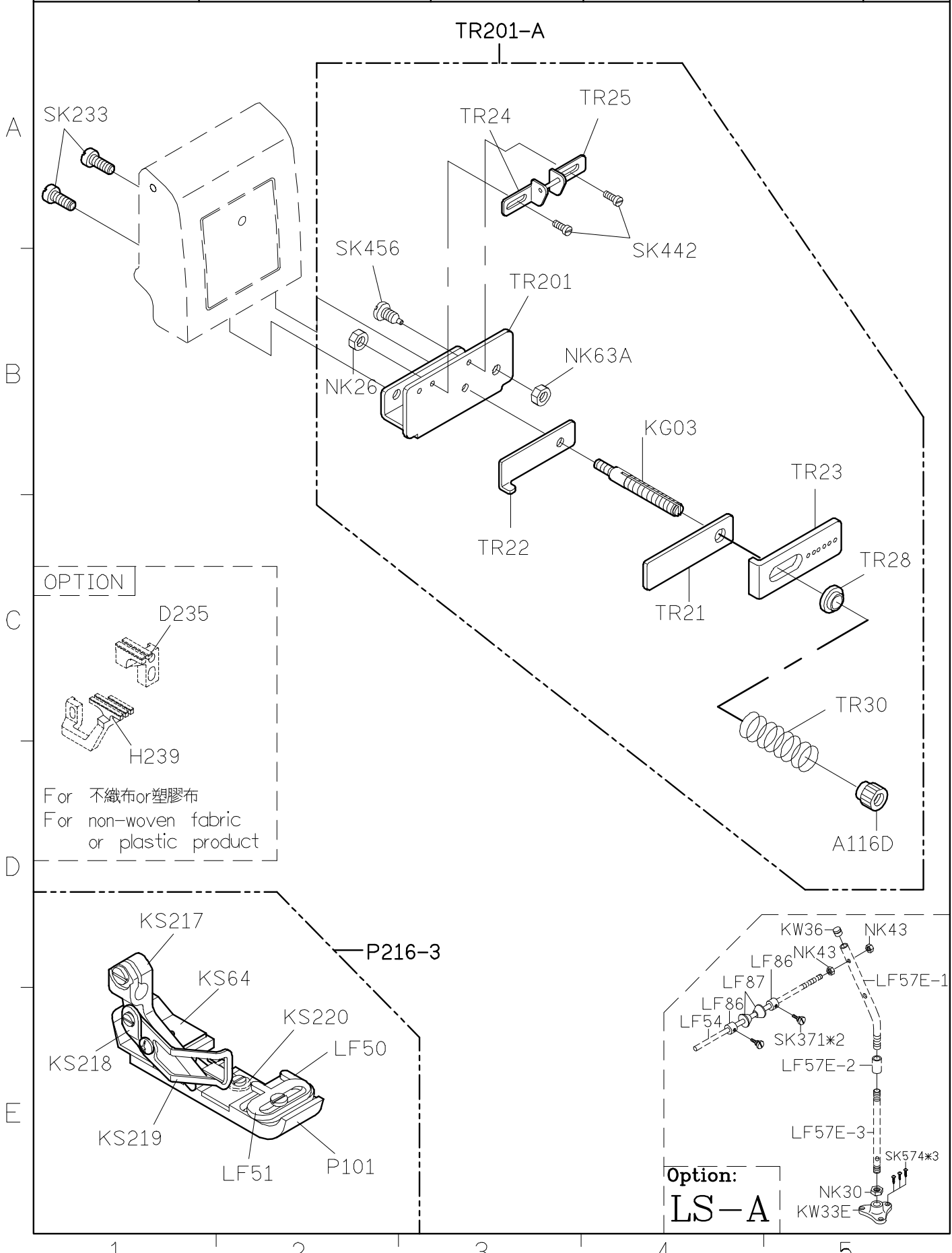
2

3

4

5

| SIRUBA PARTS LIST | Series | Parts Group | Subclass / Remark | Page |
|----------------------|------------|-------------|-------------------|------------|
| | 700K/700KD | TR | | 1/1 |
| | 988/988D | | | Date |
| | | | | 2012/12/18 |



SK233

TR201-A

TR25

TR24

SK442

SK456

TR201

NK63A

NK26

KG03

TR22

TR23

TR21

TR28

TR30

A116D

KS217

KS64

KS220

KS218

KS219

LF51

P101

P216-3

KW36

NK43

LF86

LF87

LF86

LF54

LF57E-1

LF57E-2

LF57E-3

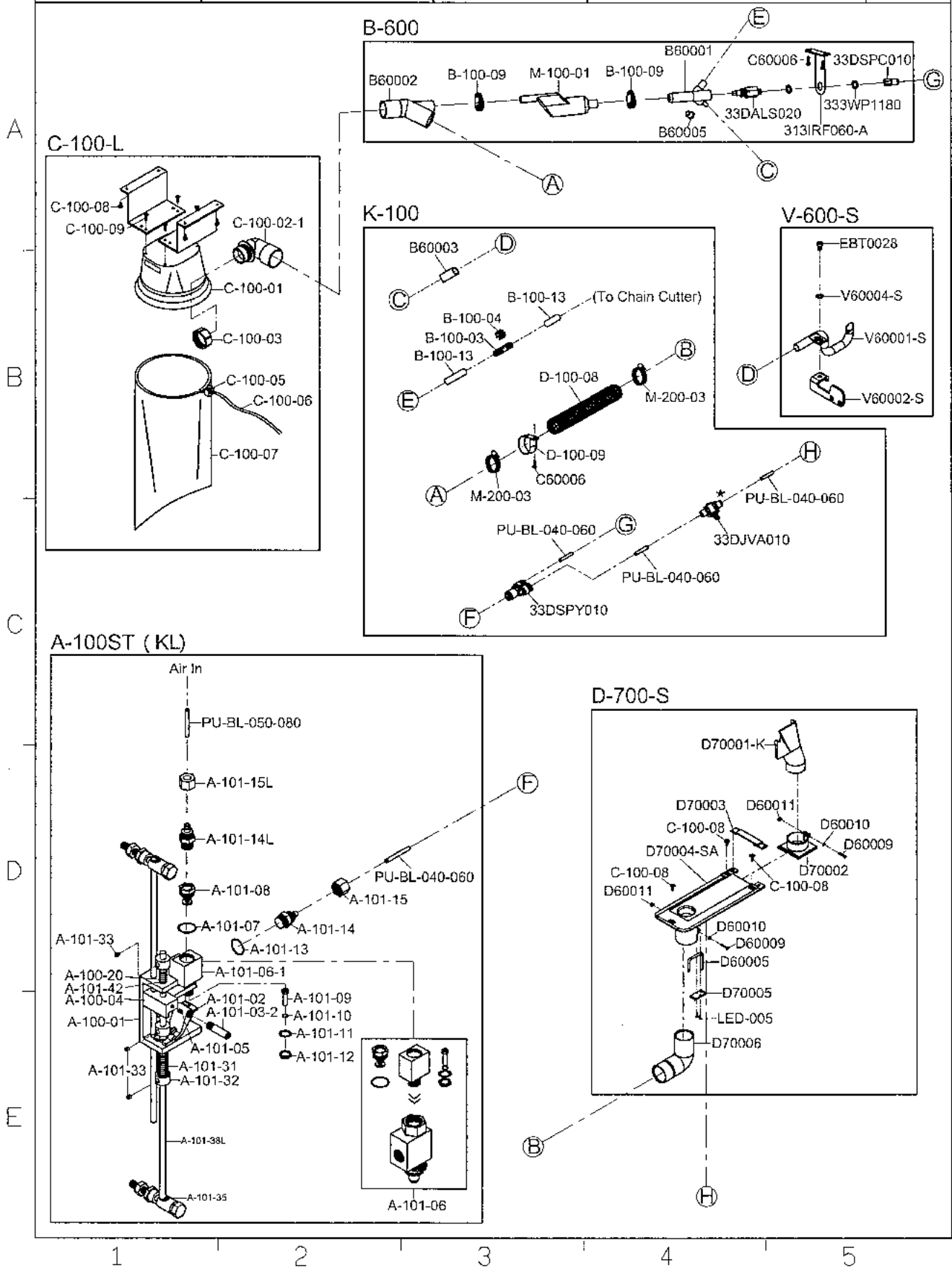
SK574*3

NK30

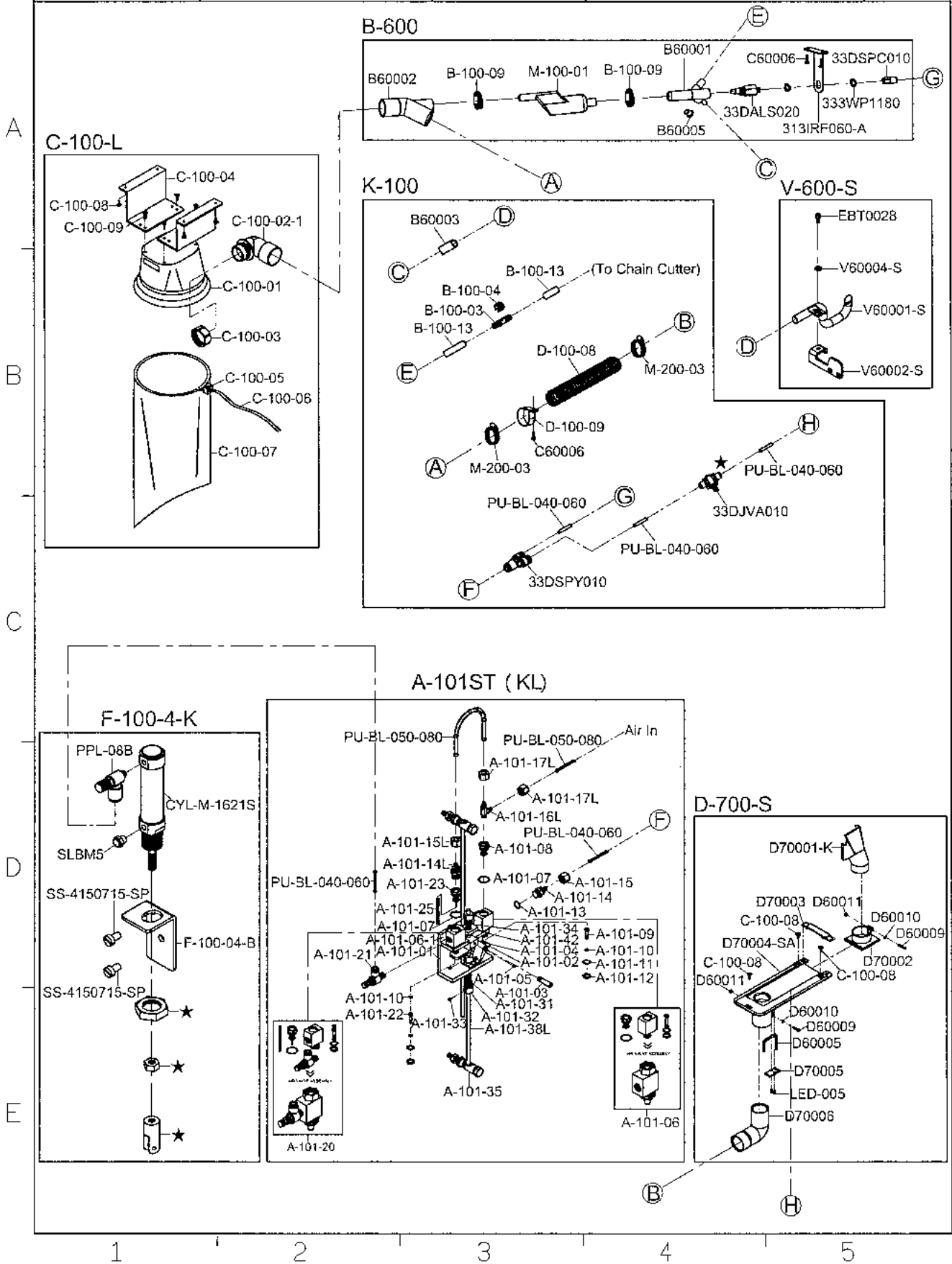
KW33E

**Option:
LS-A**

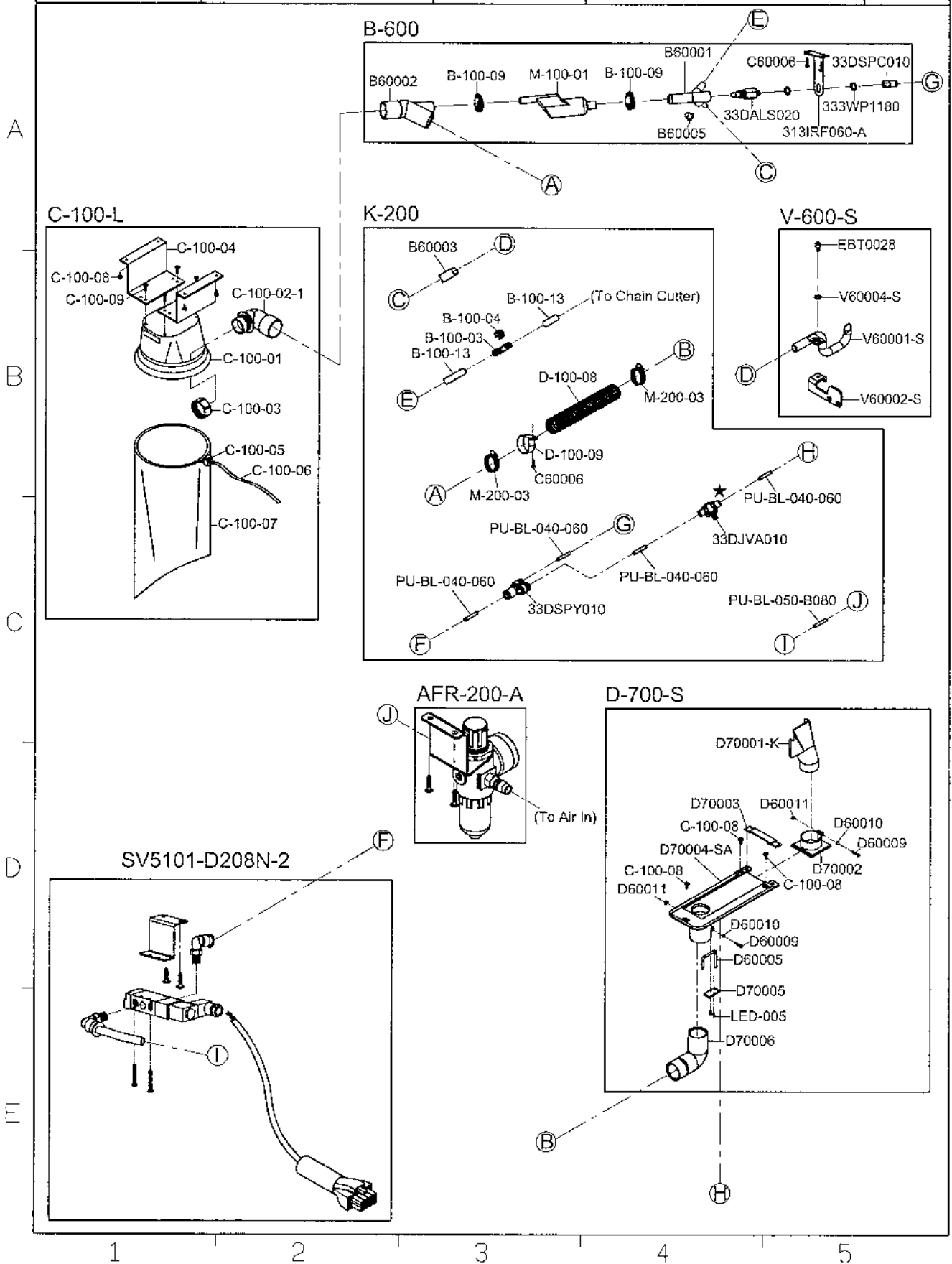
| SIRUBA PARTS LIST | Series | Parts Group | Subclass / Remark | Page |
|----------------------|----------------|-------------|---|---------------------------|
| | 拷克 Overlock | TUA-31 | Note 註記: 1) ★ Before installation, please check one side is Air IN, another side is Air OUT. 2) 空氣有效使用壓力 Effective air pressure: 4-6 kg/cm 3) 請適度修剪管子長度, 以達到風力最佳效能。 | 1/1 Date 2016/11/02 |



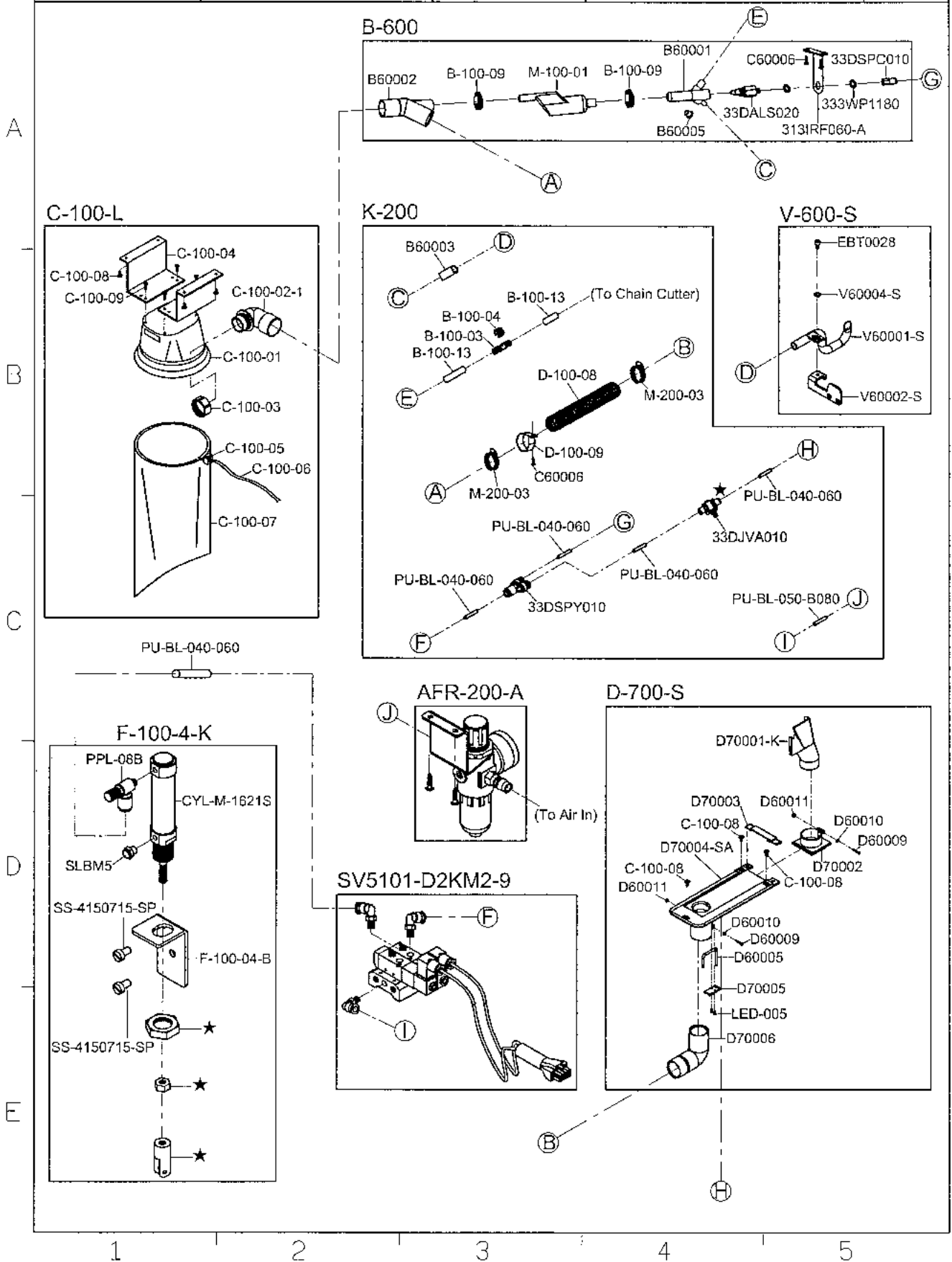
| SIRUBA PARTS LIST | Series | Parts Group | Subclass / Remark | Page |
|----------------------|--------|-------------|--|---------------------------|
| | 700K | TUA-32K | Note 註記: 1) ★ Before installation, please check one side is Air IN, another side is Air OUT. 2) 空氣有效使用壓力 Effective air pressure: 4-6 kg/cm 3) 請適度修剪管子長度，以達到風力最佳效能。 | 1/1 Date 2016/11/02 |



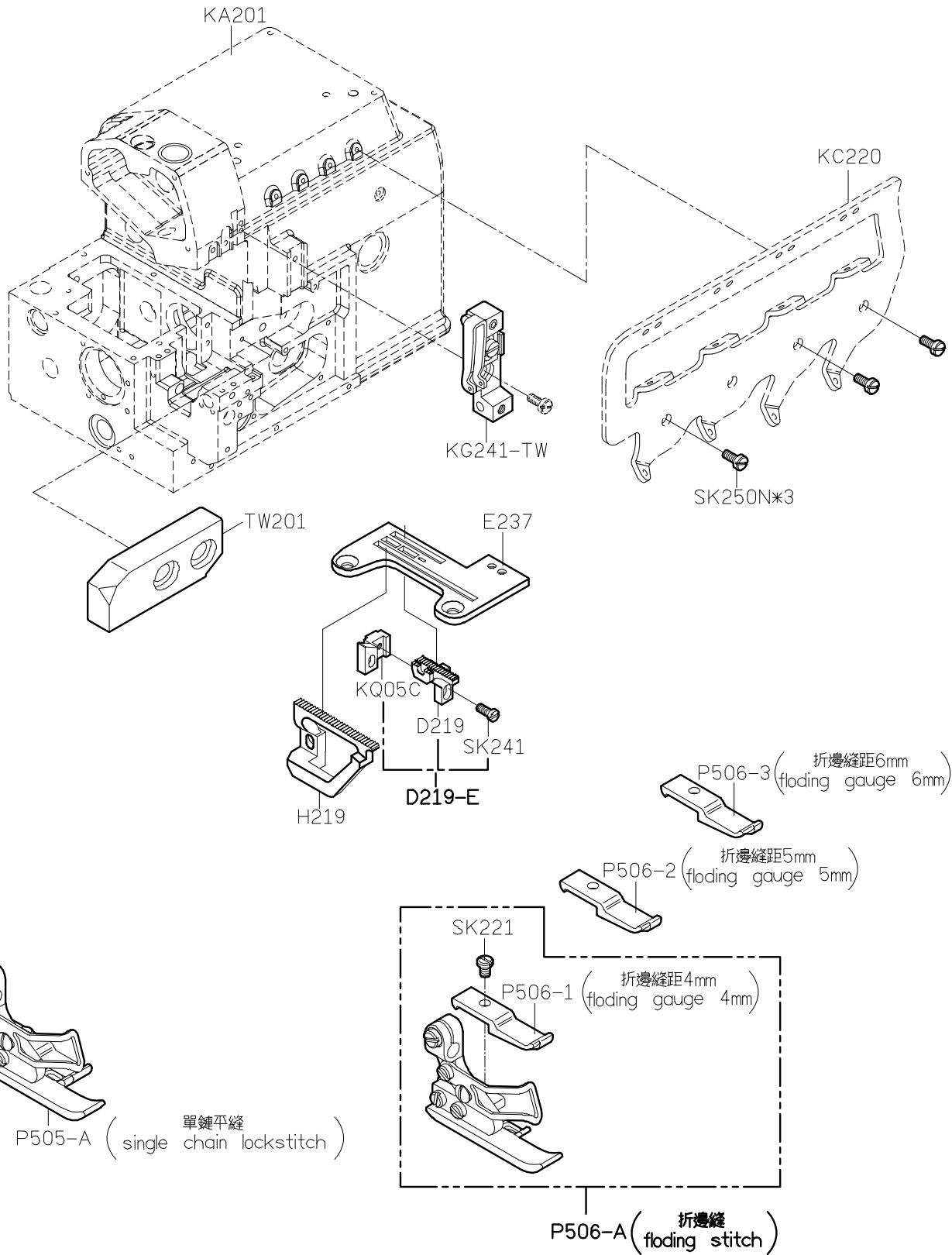
| SIRUBA PARTS LIST | Series | Parts Group | Subclass / Remark | Page |
|----------------------|--------|-------------|--|------------|
| | 700K | TUA-33K | Note 註記: 1) ★ Before installation, please check one side is Air IN, another side is Air OUT. 2) 空氣有效使用壓力 Effective air pressure: 4-6 kg/cm 3) 請注意修飾管子長度，以達到風力最佳效能。 | 1/1 |
| | | | Date | 2016/11/02 |

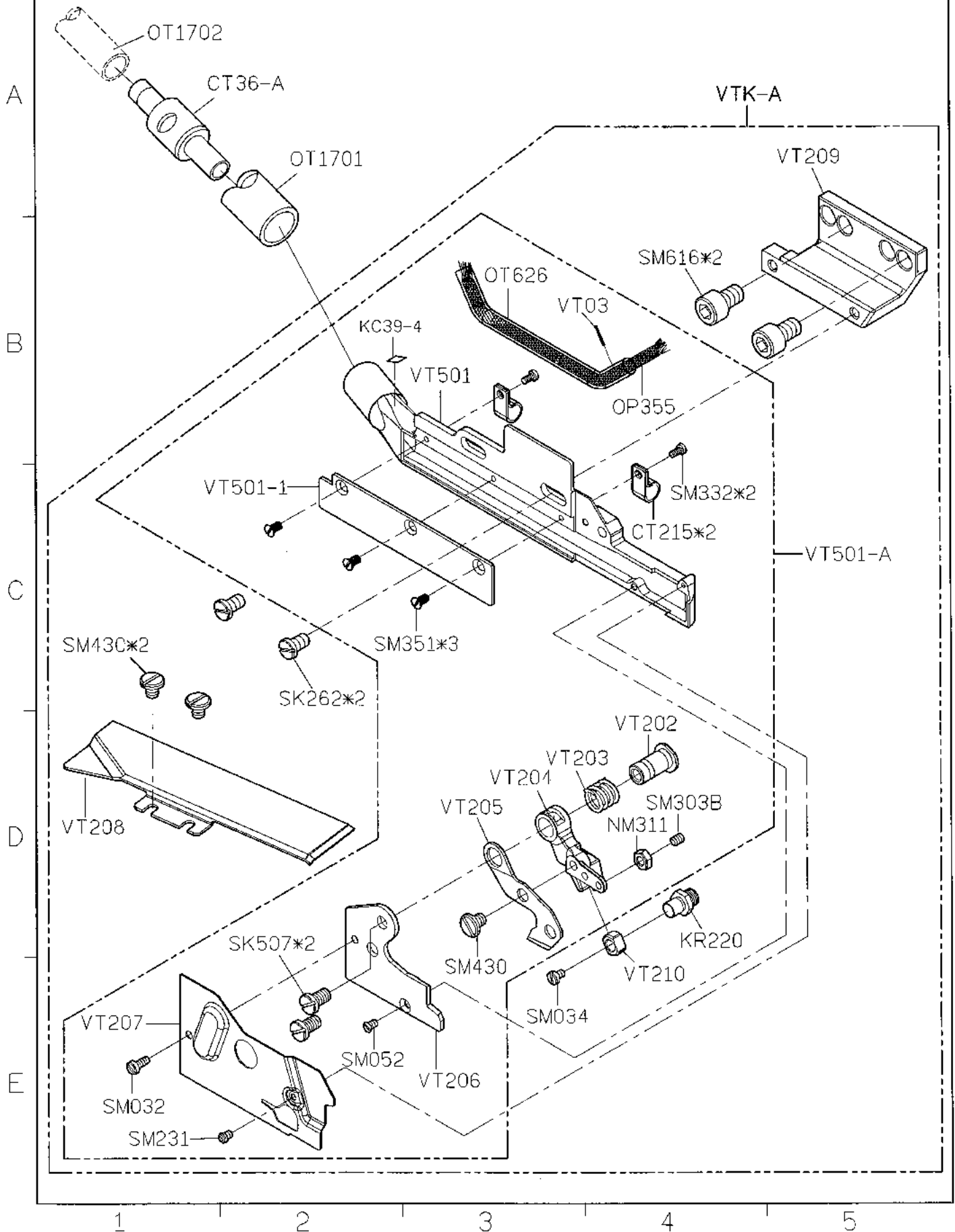


| SIRUBA PARTS LIST | Series | Parts Group | Subclass / Remark | Page |
|----------------------|--------|-------------|--|------------|
| | 700K | TUA-34K | Note 註記: 1) ★ Before installation, please check one side is Air IN, another side is Air OUT. 2) 空氣有效使用壓力 Effective air pressure: 4-6 kg/cm 3) 請適度修剪管子長度，以達到風力最佳效能。 | 1/1 |
| | | | | Date |
| | | | | 2016/11/02 |



| SIRUBA PARTS LIST | Series | Parts Group | Subclass / Remark | Page |
|----------------------|------------|-------------|-------------------|------------|
| | 700K/700KD | TW | | 1/1 |
| | 988/988D | | | Date |
| | | | | 2012/12/18 |





| SIRUBA PARTS LIST | Series | Parts Group | Subclass / Remark | Page |
|----------------------|--------|-------------|-------------------|------------|
| | 700K | VTE-U | | 1/5 |
| | 700L | | | Date |
| | | | | 2020/07/30 |

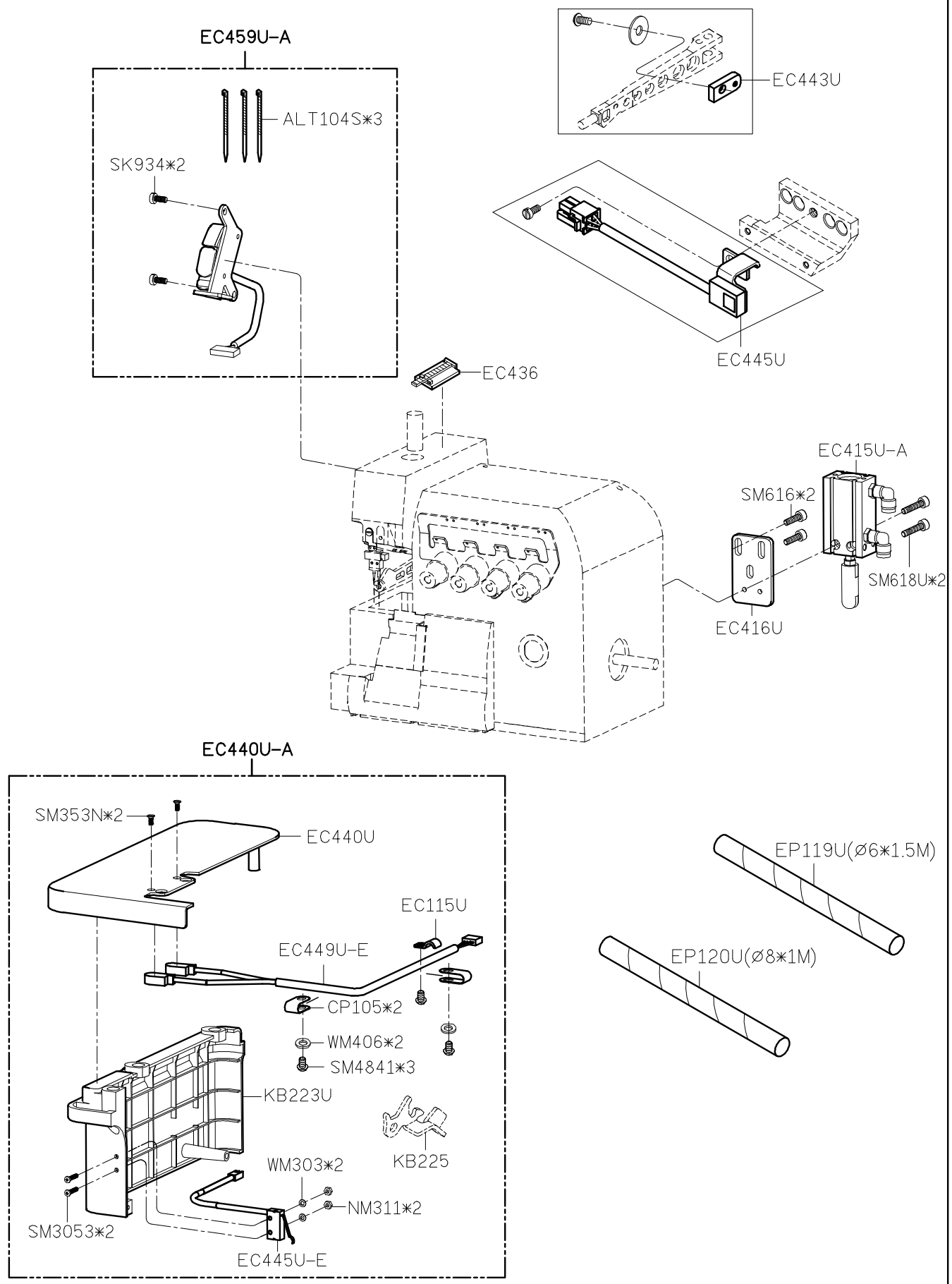
A

B

C

D

E



1

2

3

4

5

| SIRUBA PARTS LIST | Series | Parts Group | Subclass / Remark | Page |
|----------------------|--------|-------------|-------------------|------------|
| | 700K | VTE-U | | 2/5 |
| | 700L | | | Date |
| | | | | 2020/03/30 |

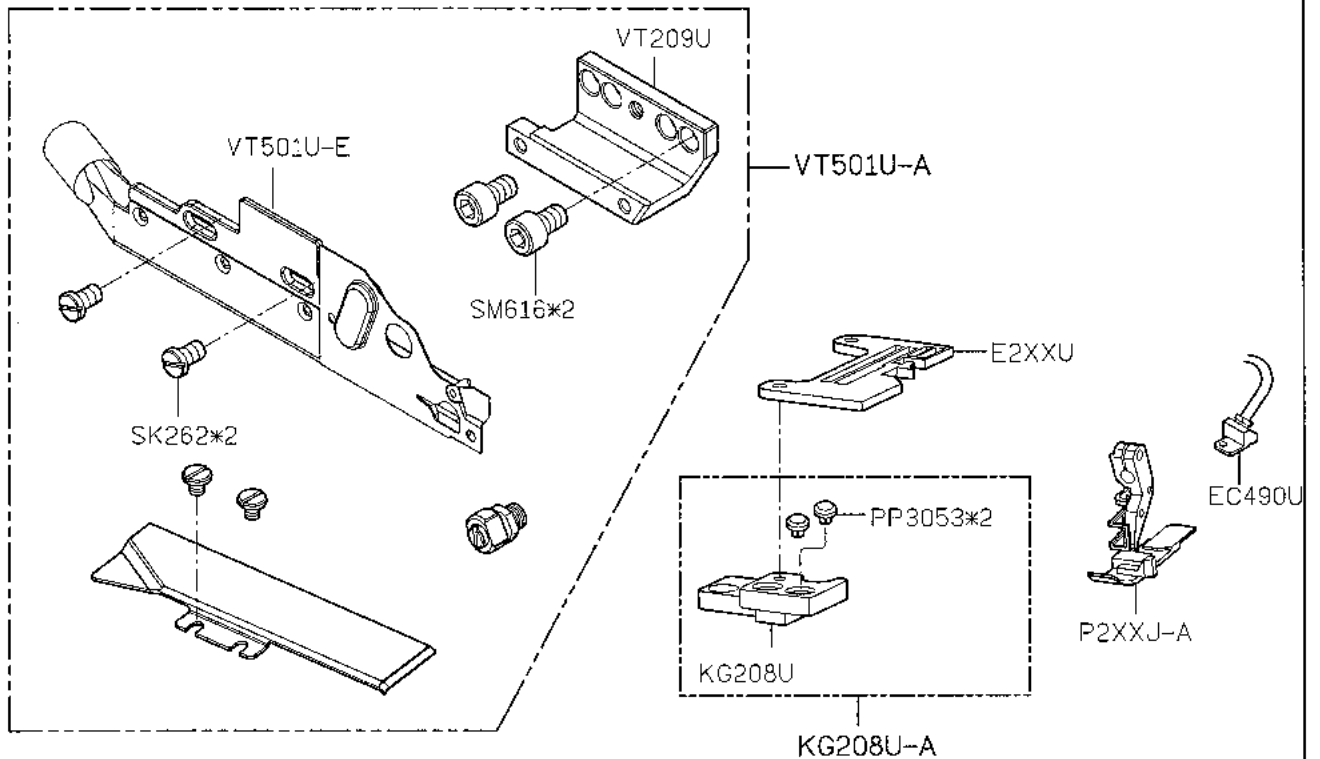
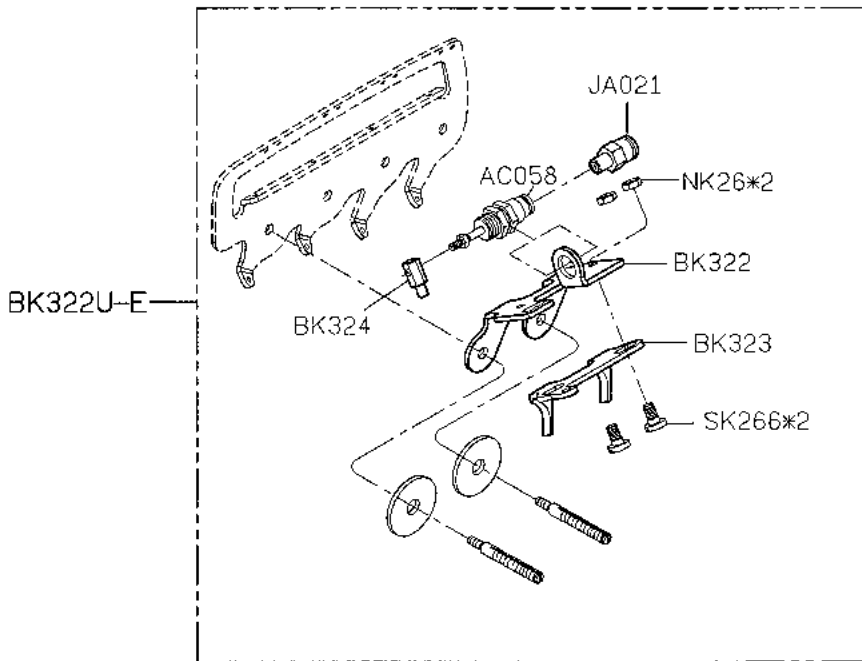
A

B

C

D

E



1

2

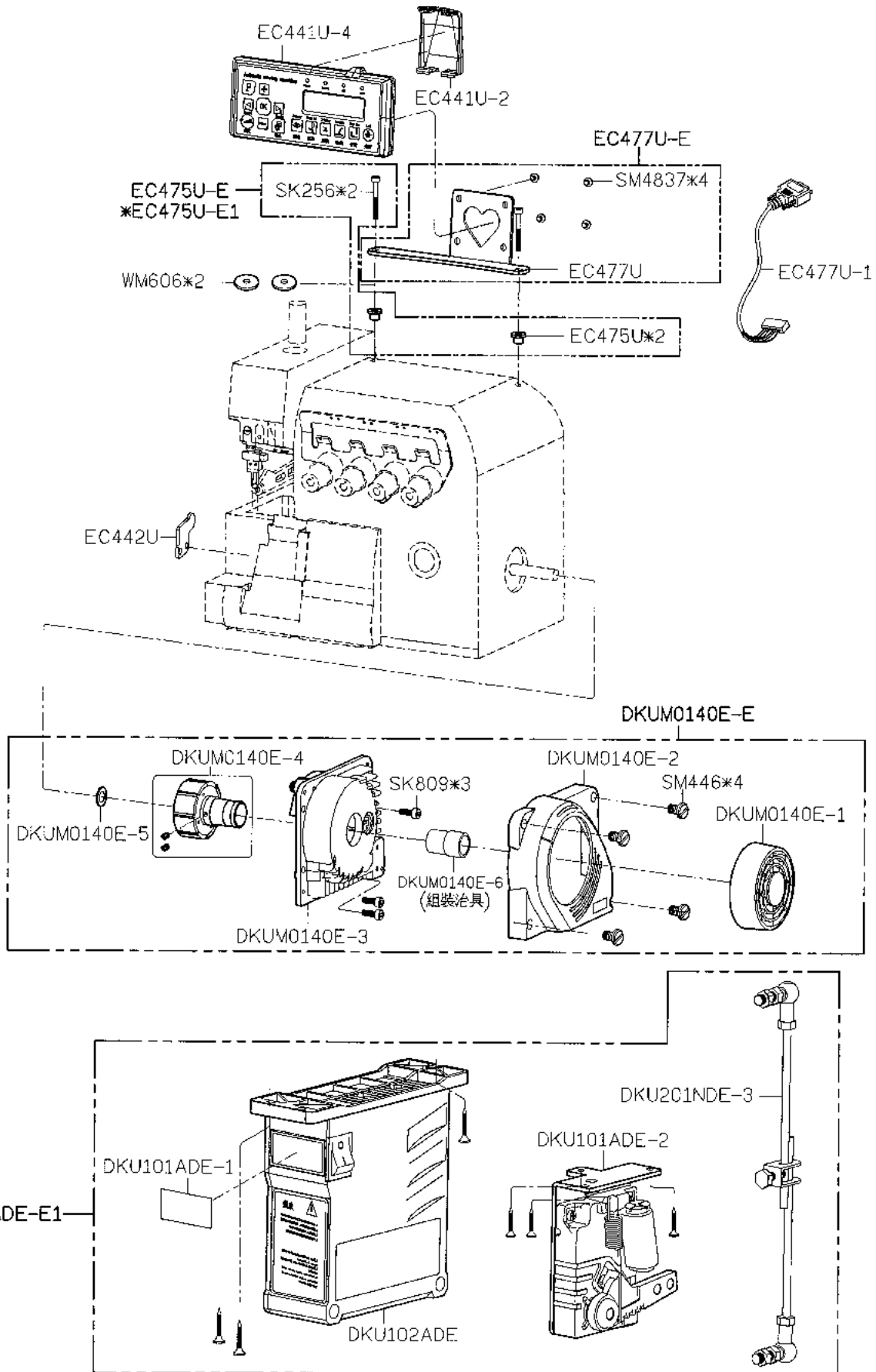
3

4

5

| | | | | |
|-----------------------------|--------------|-------------|-------------------|------------|
| SIRUBA PARTS LIST | Series | Parts Group | Subclass / Remark | Page |
| | 700K 700L | VTE-U | *FOR 700L用 | 3/5 |
| | | | | Date |
| | | | | 2020/03/30 |

A
B
C
D
E

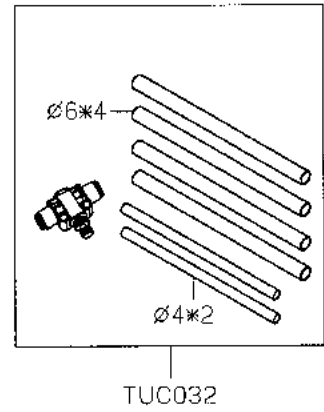
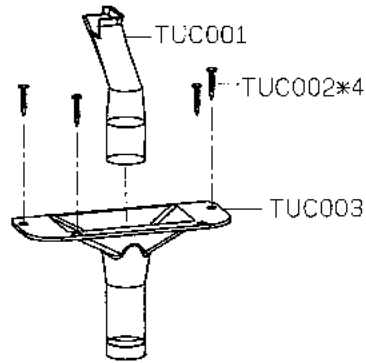
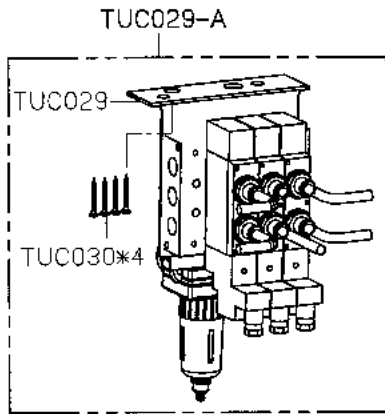


1 2 3 4 5

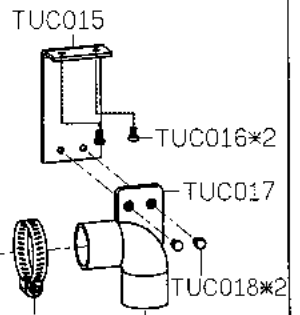
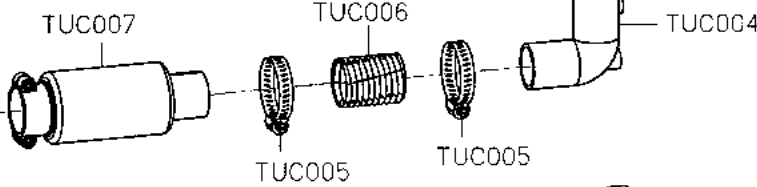
| SIRUBA PARTS LIST | Series | Parts Group | Subclass / Remark | Page |
|----------------------|--------|-------------|-------------------|------------|
| | 700K | VTE-U | | 4/5 |
| | 700L | | | Date |
| | | | | 2020/03/30 |

TUC-03

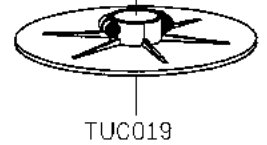
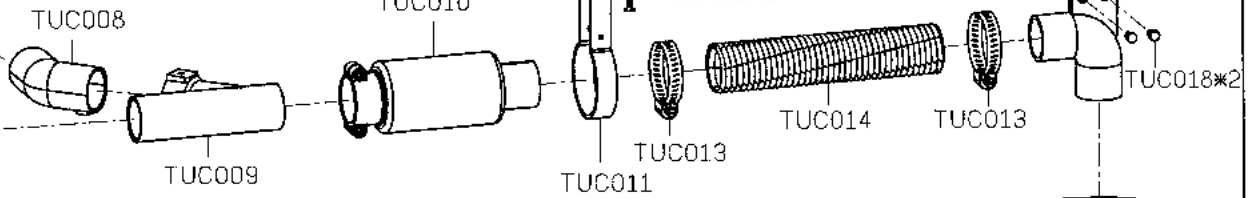
A



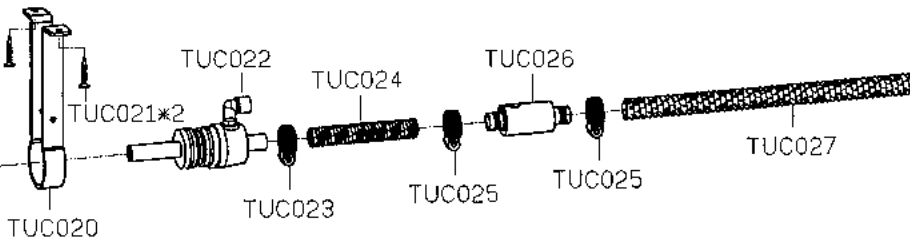
B



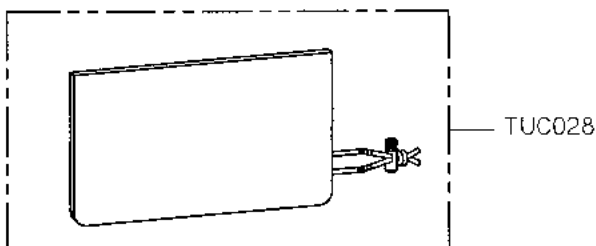
C



D



E



1

2

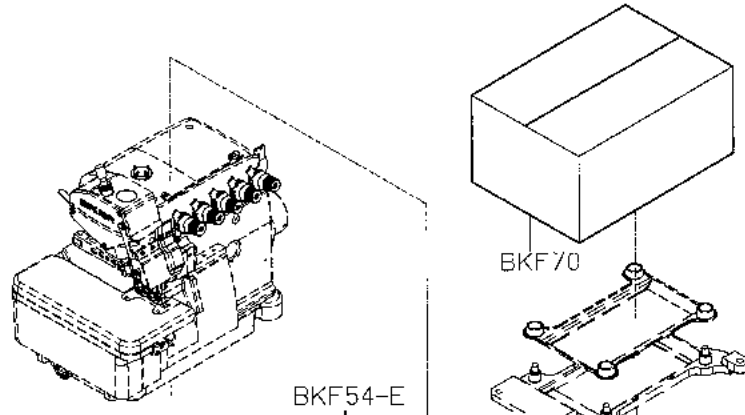
3

4

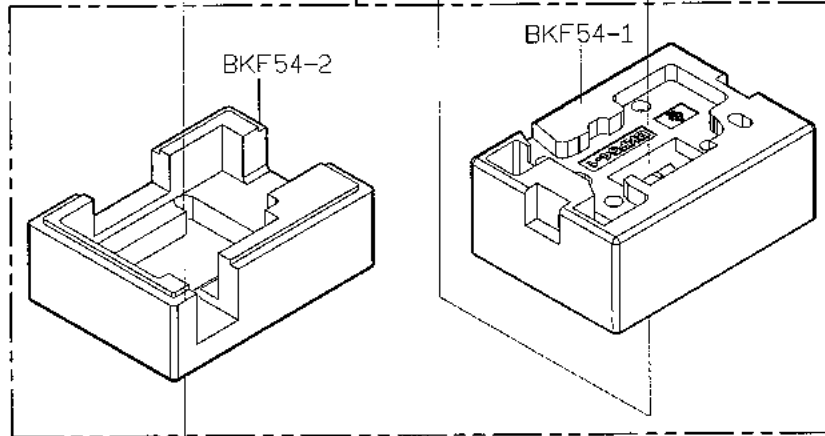
5

| SIRUBA PARTS LIST | Series | Parts Group | Subclass / Remark | Page |
|----------------------|--------|-------------|-------------------|------------|
| | 700K | VTE-U | | 5/5 |
| | 700L | | | Date |
| | | | | 2020/03/30 |

A

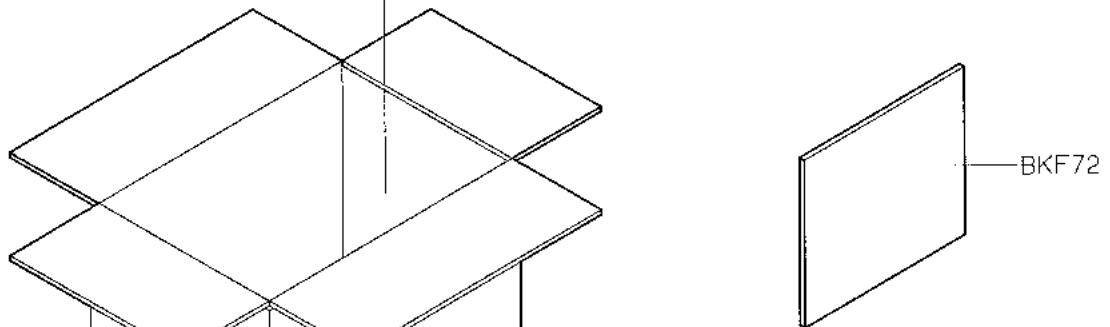


B



C

D



E

1

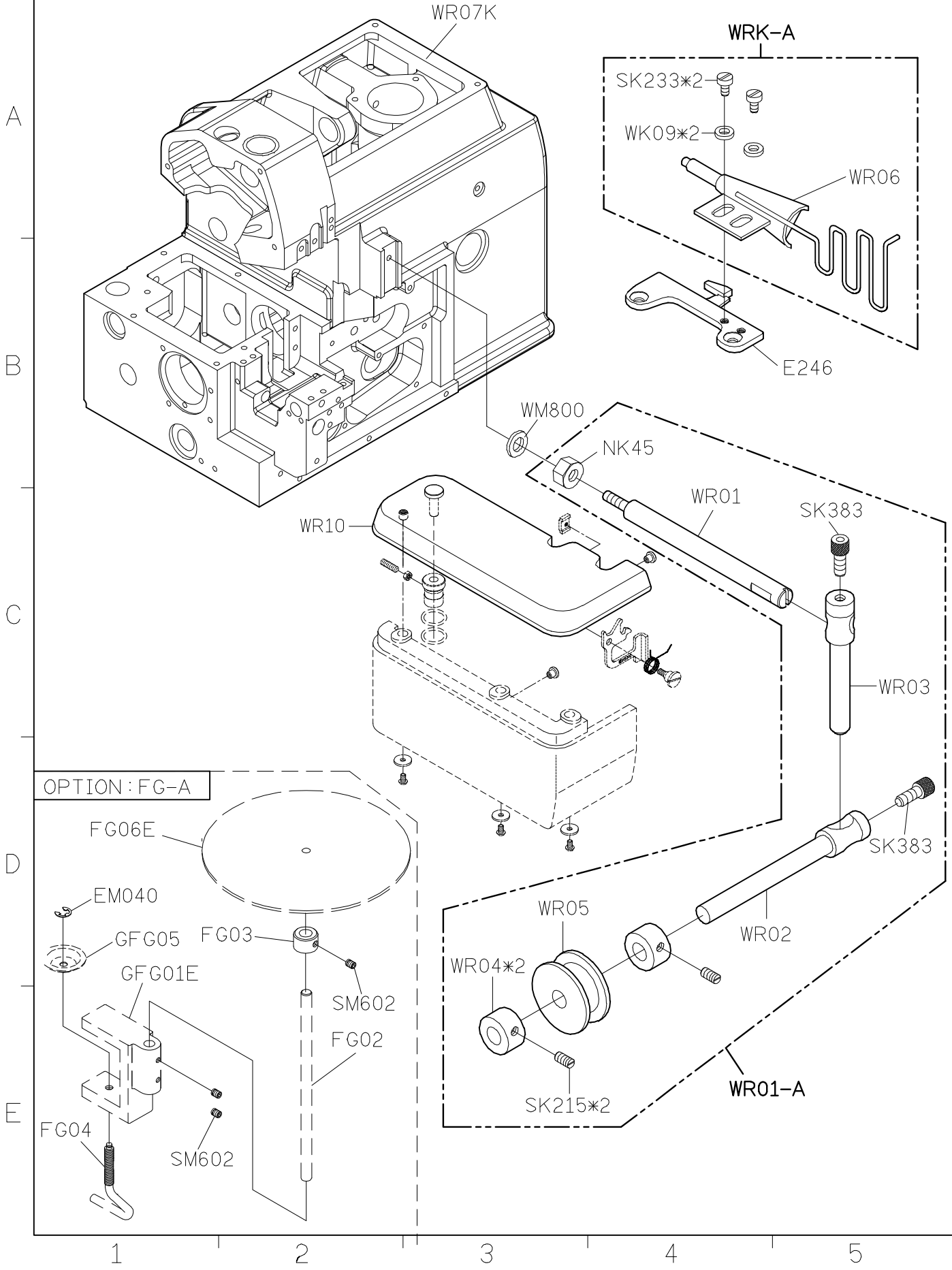
2

3

4

5

KZ225K(For 700K)
KZ225L(For 700L)



| SIRUBA PARTS LIST | Series | Parts Group | Subclass / Remark | Page |
|----------------------|-------------------------------------|-------------|-------------------|--------------------|
| | 700K/988 ^{2nd} MO-6800S | WR-K1 | | 1/1 |
| | | | | Date 2016/06/25 |

