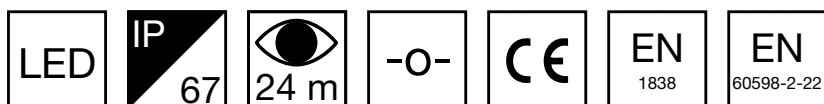


# ROBUST EXIT EMERGENCY EXIT LIGHTS



Teknoware's metal bodied Robust Exit is a surface mounted LED exit light.

High IP class and especially robust construction make the Robust Exit exit light ideal for demanding conditions. It resists water as well as dust.

Among others, the Länsimetro subway tunnels in Finland are using Robust Exit luminaires.

The product codes starting with letter Y include an individually packed luminaire, and the pictogram/s mentioned in the table. The product codes starting with TW include the luminaire only.

## ADDRESSABLE 230 V CENTRALLY SUPPLIED EMERGENCY EXIT LIGHTS

Product Code	Nominal Supply Voltage	Pictogram	Pictogram Info
TWT9651WK	220-240 V, 50/60 Hz AC, DC		1-sided, 24 m

## NON-ADDRESSABLE 230 V CENTRALLY SUPPLIED EMERGENCY EXIT LIGHTS

Product Code	Nominal Supply Voltage	Pictogram	Pictogram Info
TWT9651W	220-240 V, 50/60 Hz AC, DC		1-sided, 24 m

We reserve the rights to make modifications without notice.

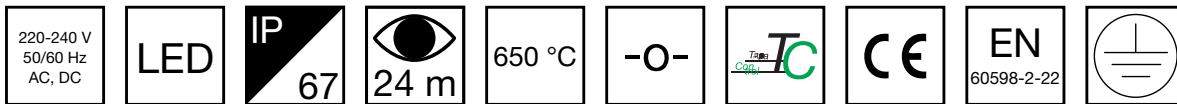
Copyright © 2021 Teknoware. All rights reserved.

Date: February 27, 2021 | Source:

[www.teknoware.com/en/emergency-lighting/emergency-exit-lights/emergency-exit-light-product-families/robust-exit-emergency-exit-lights](http://www.teknoware.com/en/emergency-lighting/emergency-exit-lights/emergency-exit-light-product-families/robust-exit-emergency-exit-lights)



# ROBUST EXIT LED EMERGENCY EXIT LIGHT TWT9651WK



## Addressable 230 V centrally supplied LED emergency light

Teknoware's metal bodied Robust Exit is a surface mounted LED exit light.

High IP class and especially robust construction make the Robust Exit exit light ideal for demanding conditions. It resists water as well as dust.

Among others, the Länsimetro subway tunnels in Finland are using Robust Exit luminaires.

We reserve the rights to make modifications without notice.  
Copyright © 2021 Teknoware. All rights reserved.  
Date: February 27, 2021 | Source:  
[www.teknoware.com/en/emergency-lighting/robust-exit-led-emergency-exit-light-twt9651wk](http://www.teknoware.com/en/emergency-lighting/robust-exit-led-emergency-exit-light-twt9651wk)

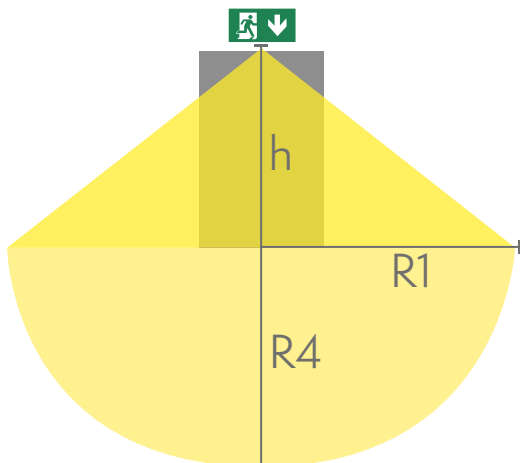


Teknoware Oy | P.O. Box 19, 15101 Lahti | Ilmarisentie 8, 15200 Lahti Finland  
Tel +358 3 883 020 | VAT-number FI01494751 | [teknoware.com](http://teknoware.com) | [emexit@teknoware.com](mailto:emexit@teknoware.com)

Product Code	TWT9651WK
Feature	Tapsa Control
Mounting (standard)	surface
Customs Code	94056080
GTIN Code	6438045023113
ETIM Product Class	EC001957
Length	304 mm
Width	126 mm
Height	126 mm
Weight	1,3 kg
Max Input Power VA	8,3 VA
Max Input Power W	4,6 W
Nominal Supply Voltage	220-240 V, 50/60 Hz AC, DC
Protection Class	I
IP Class	IP67
Temperature Range Min - Max	-30...+50 °C
Glow Wire Test of Plastic Materials	650 °C
Viewing Distance	24 m
Light Source	LED
Body Material	metal
Electrical Installation	3 x 2,5 mm <sup>2</sup>

## Downlight chart for Exit Lights

Tables of 1 lux and 0,5 lux, under the Exit Light.  
 Level of measurement 0,02 m, measurement result with battery operation.



R1 distance from wall (X axis)  
R4 distance from wall (Y axis)

TWT9651WK

Mounting height (m)	Below the light lux	R1 (m)	R4 (m)	R1 (m)	R4 (m)
		1 lux	1 lux	0,5 lux	0,5 lux
2	2	1,5	0,5	2	1

ONE OR MORE OF THESE IS ALSO REQUIRED:

PICTOGRAMS FOR EMERGENCY EXIT LIGHTS



Product Code	Pictogram	Viewing Distance (m)	Compatible Product Groups
PB9604E		24	Robust Exit Emergency Exit Lights
PB9606E		24	Robust Exit Emergency Exit Lights
PB9605E		24	Robust Exit Emergency Exit Lights

SPARE PARTS:

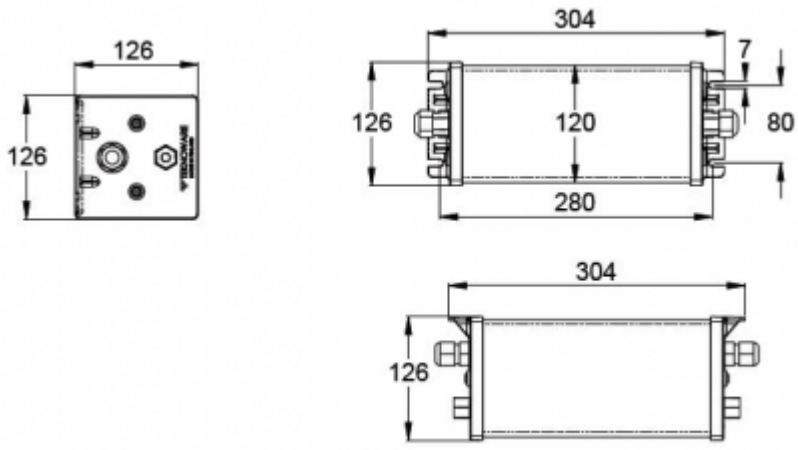
SPARE PARTS FOR EMERGENCY LIGHTS



Product Code	Product Name	Compatible Product Groups
W100005	Ballast W100005	Addressable 230 V Centrally Supplied Emergency Exit Lights
W130009	LED board W130009	

We reserve the rights to make modifications without notice.  
Copyright © 2021 Teknoware. All rights reserved.  
Date: February 27, 2021 | Source:  
[www.teknoware.com/en/emergency-lighting/robust-exit-led-emergency-exit-light-twt9651wk](http://www.teknoware.com/en/emergency-lighting/robust-exit-led-emergency-exit-light-twt9651wk)



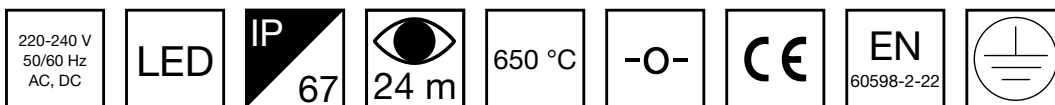


We reserve the rights to make modifications without notice.  
Copyright © 2021 Teknoware. All rights reserved.  
Date: February 27, 2021 | Source:  
[www.teknoware.com/en/emergency-lighting/robust-exit-led-emergency-exit-light-twt9651wk](http://www.teknoware.com/en/emergency-lighting/robust-exit-led-emergency-exit-light-twt9651wk)



Teknoware Oy | P.O. Box 19, 15101 Lahti | Ilmarisentie 8, 15200 Lahti Finland  
Tel +358 3 883 020 | VAT-number FI01494751 | [teknoware.com](http://teknoware.com) | [emexit@teknoware.com](mailto:emexit@teknoware.com)

# ROBUST EXIT LED EMERGENCY EXIT LIGHT TWT9651W



## 230 V centrally supplied LED Emergency Exit Light

Teknoware's metal bodied Robust Exit is a surface mounted LED exit light.

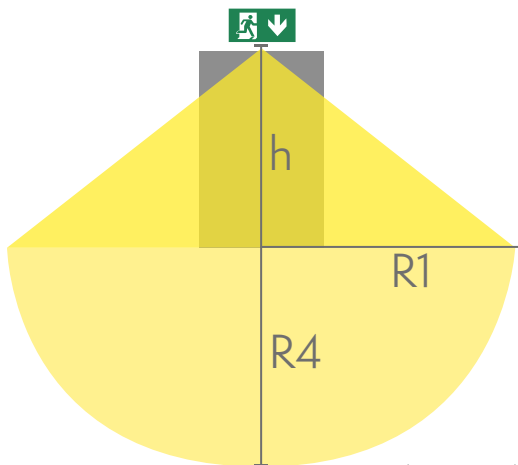
High IP class and especially robust construction make the Robust Exit exit light ideal for demanding conditions. It resists water as well as dust.

Among others, the Länsimetro subway tunnels in Finland are using Robust Exit luminaires.

Product Code	TWT9651W
Mounting (standard)	surface
Customs Code	94056080
GTIN Code	6438045014210
ETIM Product Class	EC001957
Length	304 mm
Width	126 mm
Height	126 mm
Weight	1,3 kg
Max Input Power VA	9,2 VA
Max Input Power W	2,9 W
Nominal Supply Voltage	220-240 V, 50/60 Hz AC, DC
Protection Class	I
IP Class	IP67
Temperature Range Min - Max	-30...+50 °C
Glow Wire Test of Plastic Materials	650 °C
Viewing Distance	24 m
Light Source	LED
Body Material	metal
Electrical Installation	3 x 2,5 mm <sup>2</sup>

## Downlight chart for Exit Lights

Tables of 1 lux and 0,5 lux, under the Exit Light.  
 Level of measurement 0,02 m, measurement result with battery operation.



R1 distance from wall (X axis)  
R4 distance from wall (Y axis)

TWT9651W

Mounting height (m)	Below the light lux	R1 (m)	R4 (m)	R1 (m)	R4 (m)
		1 lux	1 lux	0,5 lux	0,5 lux
2	2	1,5	0,5	2	1

ONE OR MORE OF THESE IS ALSO REQUIRED:

PICTOGRAMS FOR EMERGENCY EXIT LIGHTS



Product Code	Pictogram	Viewing Distance (m)	Compatible Product Groups
PB9604E		24	Robust Exit Emergency Exit Lights
PB9606E		24	Robust Exit Emergency Exit Lights
PB9605E		24	Robust Exit Emergency Exit Lights

SPARE PARTS:

SPARE PARTS FOR EMERGENCY LIGHTS



Product Code	Product Name	Compatible Product Groups
W100005	Ballast W100005	Addressable 230 V Centrally Supplied Emergency Exit Lights
W130009	LED board W130009	

We reserve the rights to make modifications without notice.  
Copyright © 2021 Teknoware. All rights reserved.  
Date: February 27, 2021 | Source:  
[www.teknoware.com/en/emergency-lighting/robust-exit-led-emergency-exit-light-twt9651w](http://www.teknoware.com/en/emergency-lighting/robust-exit-led-emergency-exit-light-twt9651w)



Teknoware Oy | P.O. Box 19, 15101 Lahti | Ilmarisentie 8, 15200 Lahti Finland  
Tel +358 3 883 020 | VAT-number FI01494751 | [teknoware.com](http://teknoware.com) | [emexit@teknoware.com](mailto:emexit@teknoware.com)



