

MODEL : LG-158/LG-158-1

List No : 0015-10

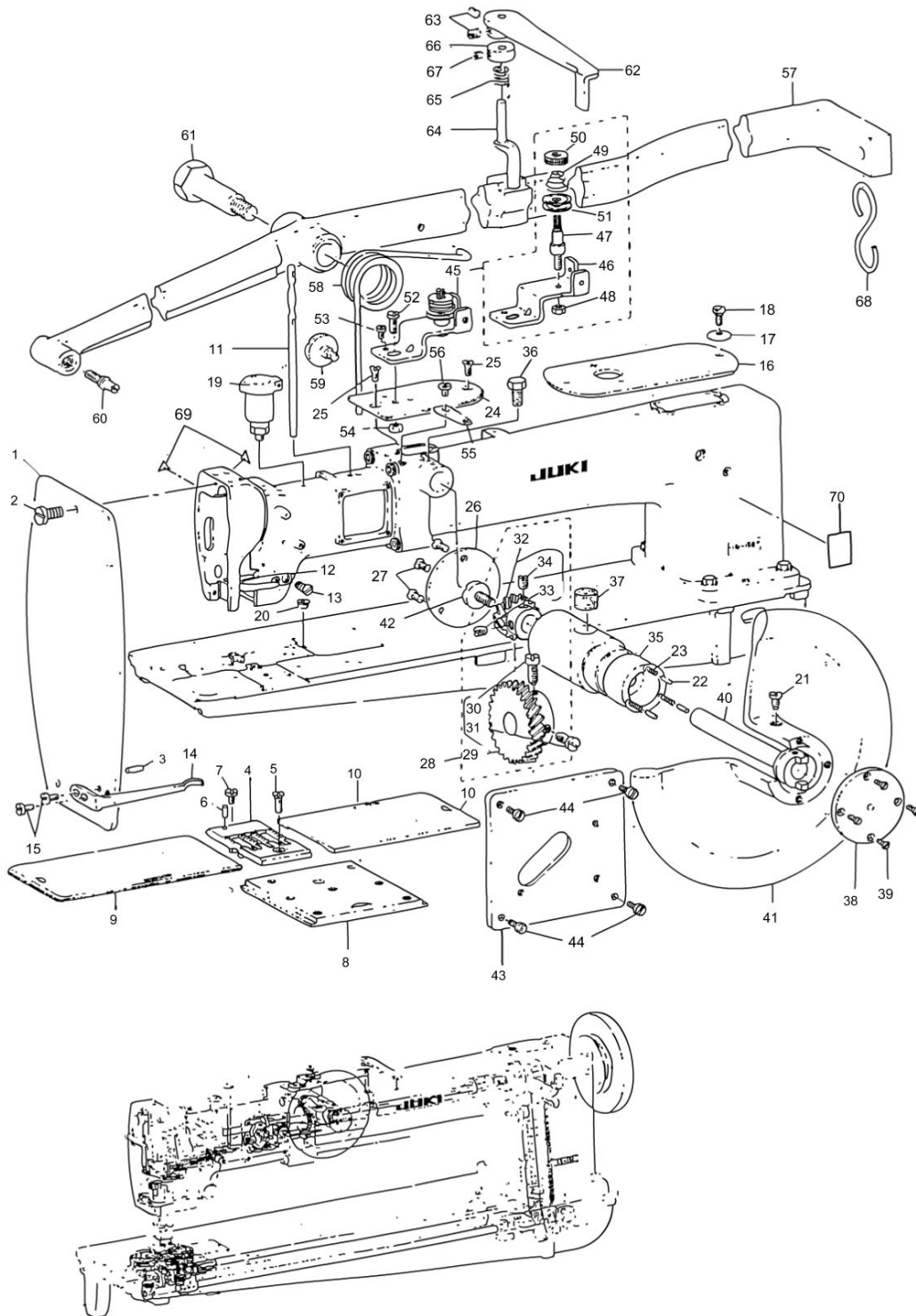
PARTS LIST

Published:05/12/2017

CONTENTS

MACHINE FRAME & MISCELLANEOUS COVER COMPONENTS	1
MAIN SHAFT & SAFETY CLUTCH COMPONENTS	5
NEEDLE BAR FRAME & PRESSER BAR COMPONENTS	9
FEED ROCK SHAFT COMPONENTS	13
SEWING HOOK DRIVING SHAFT COMPONENTS	17
THREAD TENSION & THREAD WINDER COMPONENTS	21
EXCLUSIVE PARTS FOR LG-158-1	25
EXCHANGING GAUGE PARTS (1).....	27
EXCHANGING GAUGE PARTS (2).....	29
EXCHANGING GAUGE PARTS (3).....	31
EXCHANGING GAUGE PARTS (4).....	33
LIST FOR INFORMATION OF CHANGE (1).....	35
LIST FOR INFORMATION OF CHANGE (2).....	36
HOW TO MAKE USE OF THIS PARTS LIST	37

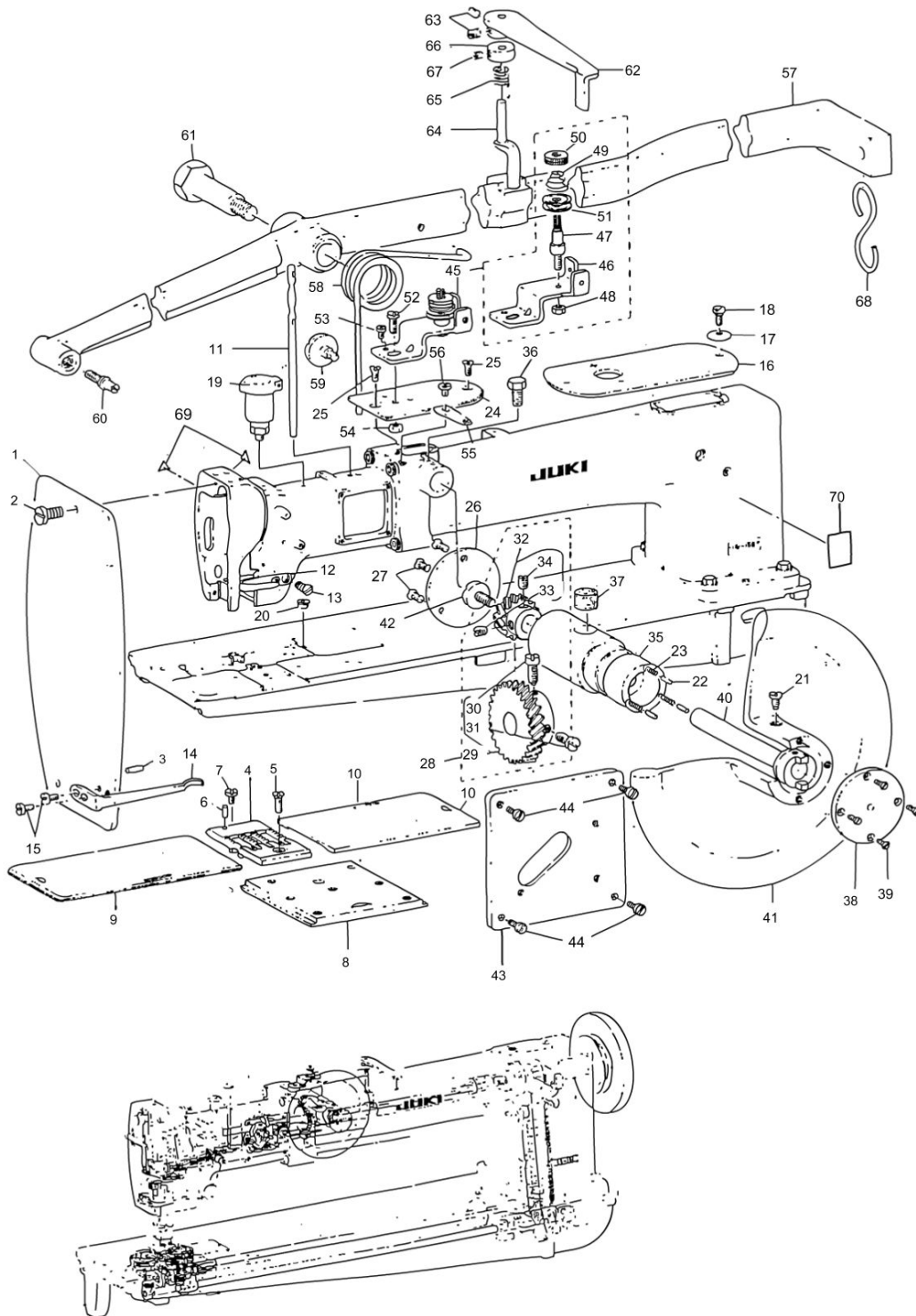
MACHINE FRAME & MISCELLANEOUS COVER COMPONENTS



MACHINE FRAME & MISCELLANEOUS COVER COMPONENTS

No.	Supply Code	Parts No.	Replacement	Parts name	Remarks	Choice	Step	Level	Cons	Qty	Rep. QTY
1		B3101158000		FACE PLATE						1	
2		SS7090710SP		SCREW 9/64-40 L=6.8						1	
3		B1103051000		FACE PLATE PIN						1	
4		B1109057N00		THROAT PLATE (3/4)	FOR LG-1-58 STAND-ARD GAUGE(3/4")					1	
5		SS2111010TP		SCREW 11/64-40 L=9.5						1	
6		B1104051000		THROAT PLATE PIN						1	
7	R	SS6090630SP	SS6090630TP	SCREW 9/64-40 L=6						1	1.00
8		B11100570A0		BED SLIDE ASM.						1	
9		B1112057N00		BED SLIDE LEFT 3/4	FOR LG-1-58 STAND-ARD GAUGE(3/4")					1	
10		B1113057N00		BED SLIDE RIGHT 3/4	FOR LG-1-58 STAND-ARD GAUGE(3/4")					1	
11		B1114517000		NEEDLE THREAD GUIDE PIN						1	
12		B1131057000		FRAME THREAD GUIDE, LOWER						1	
13		SS3090610SP		SCREW 9/64-40 L=6						1	
14		B1131158000		NEEDLE THREAD GUIDE (LOWER)						1	
15		SS7090540TP		SCREW 9/64-40 L=5						2	
16		B1150158000		TOP COVER						1	
17		B1152051000		WASHER						1	
18		SD0630241SD		HINGE SCREW D= 6.30 H= 2.4						1	
19		B1155053000		OIL CUP						1	
20		B1156115000		RUBBER PLUG						1	
21		SS7110610SM		SCREW 11/64-40 L=6						1	
22		B1290057A00		PIN						3	
23		B1290057B00		SPRING						3	
24		B129115800A		TOP COVER INTERMEDIATE						1	
25		SS2110920TP		SCREW 11/64-40 L=8.5						2	
26		B129205700A		SIDE COVER						1	
27		SS2110920TP		SCREW 11/64-40 L=8.5						3	
28		B12930570B0		GEAR ASM.						1	
29		B1293057AA0		GEAR ASM., LARGE					*	1	
30		SS6661310SP		SCREW 1/4-40 L=13					*	1	
31		SS6661110SP		SCREW 1/4-40 L=11					*	1	
32		B12940570A0		GEAR ASM., SMALL					*	1	
33		SS8660670SP		SCREW 1/4-40 L= 6.1					*	1	
34		SS8660610TP		SCREW 1/4-40 L=6					*	1	
35		B1295057000		AUXILIARY HAND WHEEL SHAFT BUS						1	
36		SS9151440CP		SCREW 15/64-28 L=14						1	
37		B1203051000		OIL FELT						1	
38		B129605700A		THRUST PLATE						1	
39		SS2090710TP		SCREW 9/64-40 L=7.2						4	
40		B12970570A0		DRIVING SHAFT ASM.						1	
41		B129905700A		AUXILIARY HAND WHEEL						1	
42		SS7161040SP		SCREW 1/4-24 L= 9.5						1	
43		B1434158000		SIDE PLATE						1	

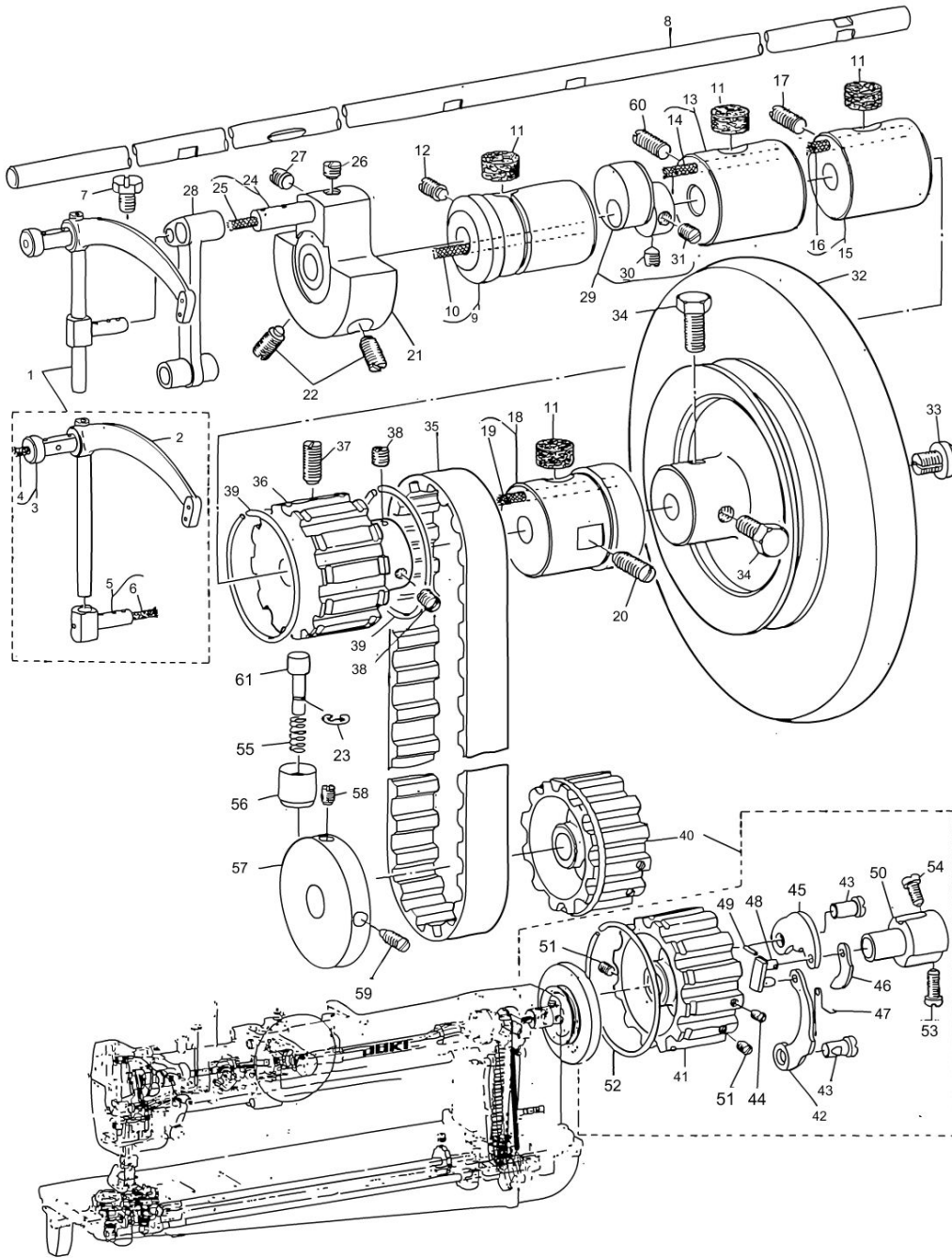
MACHINE FRAME & MISCELLANEOUS COVER COMPONENTS



MACHINE FRAME & MISCELLANEOUS COVER COMPONENTS

No.	Supply Code	Parts No.	Replacement	Parts name	Remarks	Choice	Step	Level	Cons	Qty	Rep. QTY
44	R	SS7111120SP	SS7111120TP	SCREW 11/64-40 L=10.5						4	1.00
45		B32081580A0		THREAD WINDER T- ENSION BRACKET						1	
46	R	B3208158000	B32081580A0	THREAD WINDER T- ENSION BRACKET				*		1	1.00
47		B3219232000		BOBBIN WINDER TENSION POST				*		1	
48		NS6110310SP		NUT 11/64-40				*		1	
49		B3218232000		BOBBIN WINDER TENSION SPRING				*		1	
50		B3216047000		BOBBIN WINDER TENSION NUT				*		1	
51	R	B3214047000	22945802	BOBBIN WINDER TENSION DISC				*		2	1.00
52	R	SS7110910SP	SS7110910TP	SCREW 11/64-40 L=8.5						1	1.00
53	R	SS6080710SP	SS4080620TP	SCREW 1/8-44 L= 6.5						1	1.00
54		NS6110310SP		NUT 11/64-40						1	
55		B2510158000		THREAD WINDER THREAD GUIDE						1	
56		SS7090710SP		SCREW 9/64-40 L= 6.8						1	
57		B3401057000		KNEE LIFTER FRONT LEVER						1	
58		B3403057000		SPRING						1	
59		SD0800431SP		HINGE SCREW D= 8 H= 4.3						1	
60		B3404057000		PIN						1	
61		SD1404251CP		HINGE SCREW D=14 H=42.5						1	
62		B3405057000		FRONT LEVER LATCH HANDLE						1	
63		SS8110750SP		SCREW 11/64-40 L= 6.5						2	
64		B3406057000		KNEE LIFTER FRONT LEVER LATCH						1	
65		B3408057000		KNEELIFTER FRONT LEVER LATCH S						1	
66		CS0640866SB		THRUST COLLAR D=6.35 W=8						1	
67	R	SS8110510SP	SS8110520TP	SCREW 11/64-40 L=5						1	1.00
68		B3409057000		S-SHAPED HOOK A						1	
69		CM300200003		ATTENTION LABEL	FOR USE IN JAPAN,JE					2	
70		CM301200002		SAFETY LABEL_L						1	

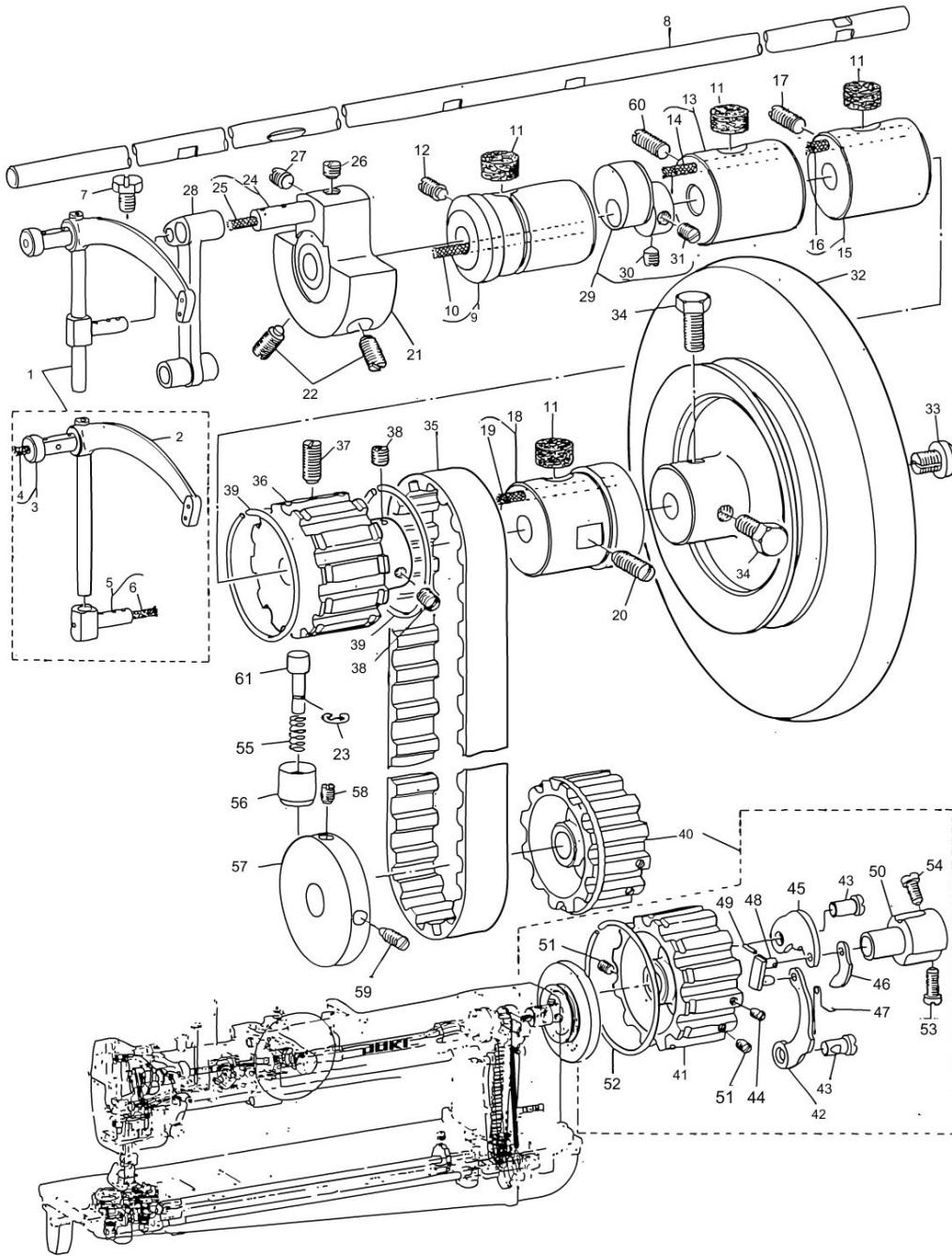
MAIN SHAFT & SAFETY CLUTCH COMPONENTS



MAIN SHAFT & SAFETY CLUTCH COMPONENTS

No.	Supply Code	Parts No.	Replacement	Parts name	Remarks	Choice	Step	Level	Cons	Qty	Rep. QTY
1		B19050570B0		THREAD TAKE-UP LEVER ASM.						1	
2		B1905057000		THREAD TAKE-UP LEVER				*		1	
3		B19060510A0		TAKE-UP LEVER PIN ASM.				*		1	
4		CQ303000000		OIL WICK				*		0.08	
5		B19070570A0		TAKE-UP LEVER C- ONNECTION ASM.				*		1	
6		CQ303000000		OIL WICK				*		0.02	
7		SS9151440CP		SCREW15/64-28L=14						1	
8		40021423		MAIN SHAFT						1	
9		B12020510A0		MAIN SHAFT BUSHI- NG, FRONT ASM.						1	
10		CQ252000000		OIL WICK				*		0.1	
11		B1203051000		OIL FELT						4	
12		SS8151550SP		SCREW15/64-28L=15						1	
13		B1203158AA0		BUSHING ASM., INTERMEDIATE						1	
14		CQ303000000		OIL WICK				*		0.1	
15		B1203158BA0		BUSHING ASM., INTERMEDIATE						1	
16		CQ303000000		OIL WICK				*		0.1	
17		SS8152030SP		SCREW15/64-28L=20						2	
18		B12160570A0		BUSHING ASM., REAR						1	
19		CQ303000000		OIL WICK				*		0.1	
20		SS8152030SP		SCREW15/64-28L=20						1	
21		40021422		COUNTER WEIGHT						1	
22		SS8701042TP		SCREW 5/16-24 L=10.0						2	
23		RE0500000K0		E-RING						1	
24		B12100510A0		NEEDLE BAR CRANK PIN ASM.						1	
25	R	B1204051000	CQ505000000	OIL WICK				*		0.1	1.00
26		SS8660810TP		SCREW 1/4-40 L=8						1	
27		SS8660530TP		SCREW 1/4-40 L= 4.5						1	
28		B1408057000		NEEDLE BAR CRANK ROD						1	
29		B14500570A0		UPPER FEED ECCENTRIC ASM.						1	
30		SS8660670SP		SCREW 1/4-40 L= 6.1				*		1	
31		SS8660610TP		SCREW 1/4-40 L=6				*		1	
32		B122715800A		HAND WHEEL						1	
33	R	B1233012000	SS7701010SP	END SCREW						1	1.00
34		SS9201813CP		SCREW 5/16-18 L=18						2	
35		B1301158000		TIMING BELT						1	
36		B1302158000		SPROCKET						1	
37		SS8681650TP		SCREW 9/32-28 L=16						1	
38		SM8080812TP		SCREW M8X8						2	
39		B1214019000		SPROCKET RING						2	
40		B13031580A0		SPROKET WHEEL LOWER ASM						1	
41		B1303158000		SPROCKET WHEEL, LOWER				*		1	
42		B1305055000A		SAFETY CLUTCH SPRING				*		1	
43		B1315158000		PIN				*		2	
44		SS8090540SP		SCREW 9/64-40 L=5				*		1	
45	R	B1307055000	21387600	SAFETY CLUTCH HOOK				*		1	1.00

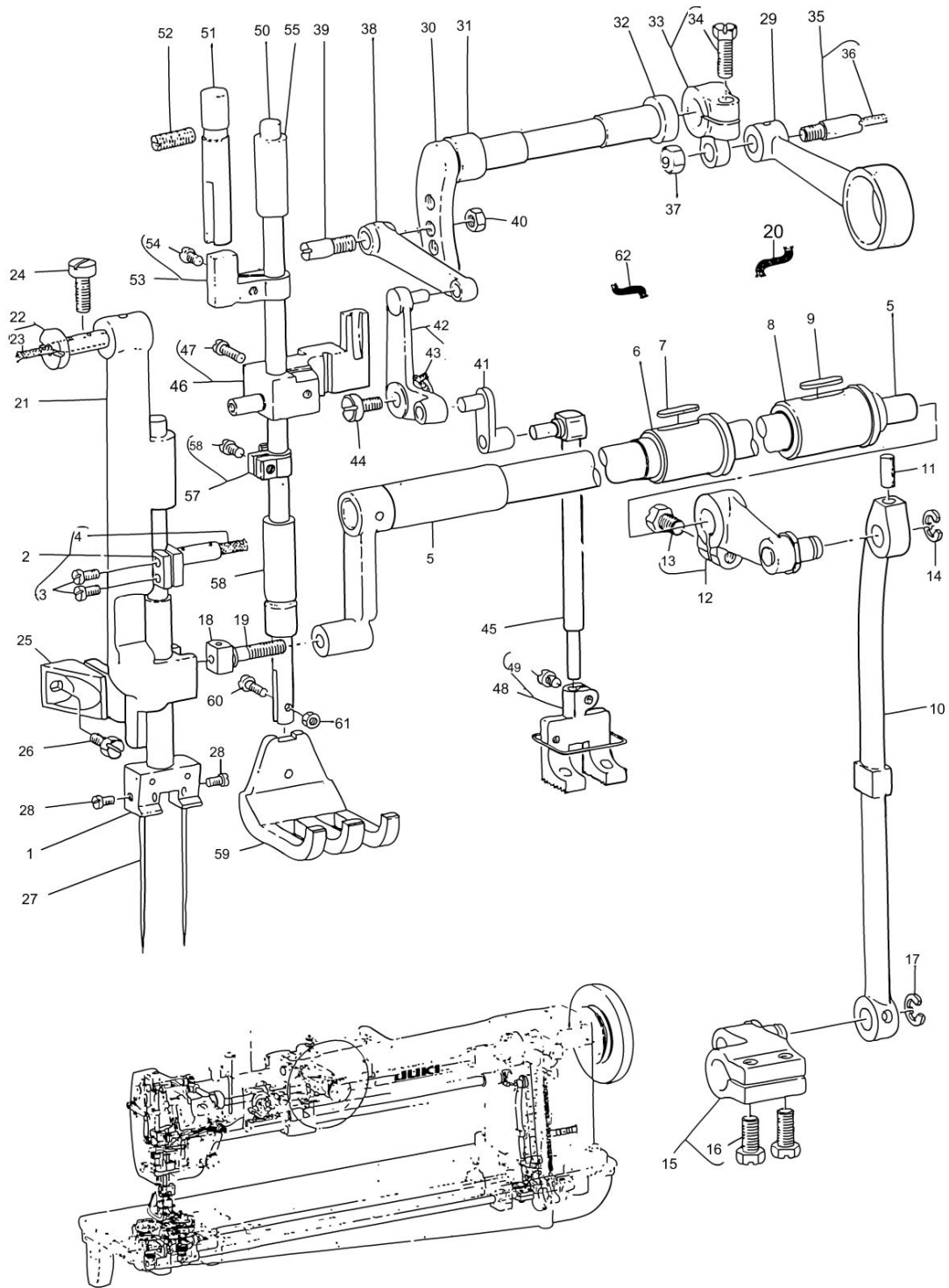
MAIN SHAFT & SAFETY CLUTCH COMPONENTS



MAIN SHAFT & SAFETY CLUTCH COMPONENTS

No.	Supply Code	Parts No.	Replacement	Parts name	Remarks	Choice	Step	Level	Cons	Qty	Rep. QTY
46		B1308055000		SAFETY CLUTCH COUNTER-HOOK				*		1	
47	R	B1309055000	40113224	COUNTER-HOOK SPRING				*		1	1.00
48		B1310055000		SAFETY CLUTCH SMALL LINK				*		1	
49		B1314055000		SAFETY CLUTCH SMALL LINK PIN				*		1	
50		B1311055000		SAFETY CLUTCH BODY				*		1	
51		SS8620610TP		SCREW 3/16-32 L=6				*		2	
52		B1214019000		SPROCKET RING				*		1	
53		SS9660910SP		SCREW 1/4-40 L=9.4				*		1	
54		SS9660810SP		SCREW 1/4-40 L=7.9				*		1	
55		B1307057000		SPRING						1	
56		B1308057000		SAFETY CLUTCH KNOB SLEEVE						1	
57		B1314158000A		SAFETY CLUTCH DISK						1	
58		SS8151780SP		SCREW 15/64-28 L=17.0						1	
59		SS8151550SP		SCREW 15/64-28 L=15						1	
60		SS8151230SP		SCREW 15/64-28 L=12						1	
61		B1306158000A		SAFETY CLUTCH PUSH BUTTON						1	

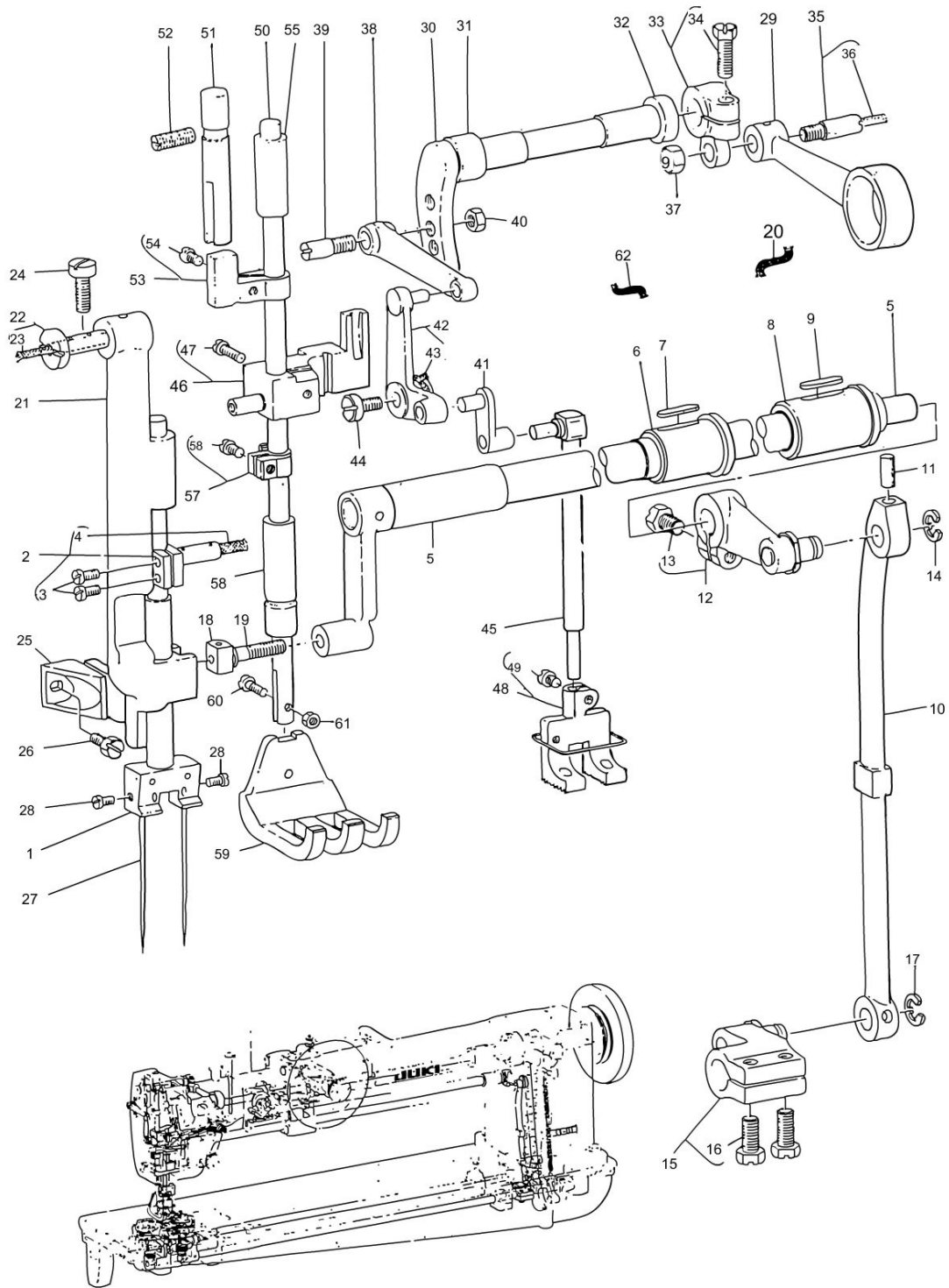
NEEDLE BAR FRAME & PRESSER BAR COMPONENTS



NEEDLE BAR FRAME & PRESSER BAR COMPONENTS

No.	Supply Code	Parts No.	Replacement	Parts name	Remarks	Choice	Step	Level	Cons	Qty	Rep. QTY
1		B1401057N0B		NEEDLE BAR 3/4	FOR LG-1-58 STAND-ARD GAUGE(3/4")					1	
2		B14110570A0		NEEDLE BAR CLAMP ASM.						1	
3		SS7110720SP		SCREW 11/64-40 L=7				*		2	
4	R	B1204051000	CQ505000000	OIL WICK				*		0.1	1.00
5		B14201580A0		NEEDLE BAR FRAME ASM.						1	
6		B1429158000		FRAME ROCK SHAFT BUSHING						1	
7		B1304012A00		OIL FELT						1	
8		B1430158000		FRAME ROCK SHAF-T BUSHING, REAR						1	
9		B1304012A00		OIL FELT						1	
10		B1422158000		NEEDLE BAR FRAME DRIVING ROD						1	
11		B1412051000		FELT						1	
12		B14311580A0		ROCK SHAFT REAR CRANK ASM.						1	
13		SS9151440CP		SCREW15/64-28L=14				*		1	
14		RE0700000K0		SNAP RING 7						1	
15		B14231580A0		DRIVING ROD CRANK ASM.						1	
16		SS9151440CP		SCREW15/64-28L=14				*		2	
17		RE0700000K0		SNAP RING 7						1	
18		B1425051000		NEEDLE BAR FRAME SLIDE BLOCK						1	
19		B1426051000		NEEDLE BAR FRAME SLIDE BLOCK S						1	
20		B1432158000		METAL FELT						.07	
21		B1426057000		NEEDLE BAR FRAME						1	
22		B14270570A0		NEEDLE BAR FRAME SHAFT						1	
23		CQ303000000		OIL WICK				*		0.04	
24		SS7151610SP		SCREW15/64-28L=16						1	
25		B1428057000		NEEDLE BAR FRAME GUIDE						1	
26		SS9111010SP		SCREW 11/64-40 L=9.5						1	
27		MDD100B2500		NEEDLE DDX1 #25						2	
28		SS7620610SP		SCREW 3/16-32 L=6.0						2	
29		B1451057000		ROD						1	
30		B1452057000		SHAFT						1	
31		B1453057000		SHAFT BUSHING						1	
32		B1457057000		TOP FEED SHAFT REAR BUSHING						1	
33		B14540570A0		WALKING BAR ROCK SHAFT CRANK A						1	
34		SS9661610CP		SCREW 1/4-40 L=16				*		1	
35		B14540530AB		SCREW STUD ASM.						1	
36		CQ303000000		OIL WICK				*		0.02	
37		NS6660430SP		NUT 1/4-40						1	
38		B1458057000		ROCK SHAFT CONNECTING LINK						1	
39		B1456057000		HINGE SCREW						1	
40		NS6150430SP		NUT 15/64-28						1	
41		B1455057000		DRIVING LINK						1	
42		B14590570A0		L-TYPE LINK ASM.						1	
43		CQ202000000		OIL WICK				*		0.2	
44		SS6111140SP		SCREW11/64-40L=11						1	

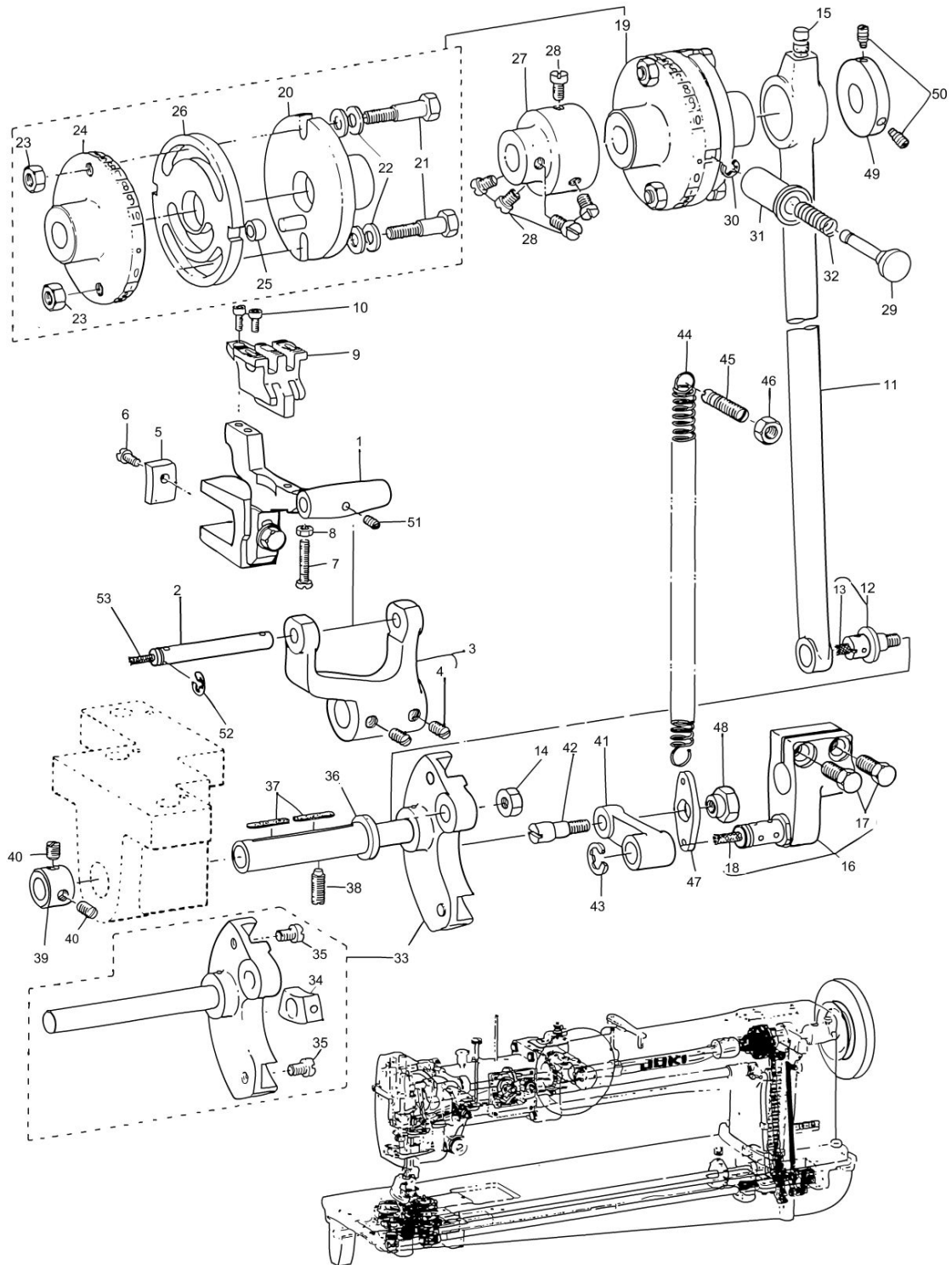
NEEDLE BAR FRAME & PRESSER BAR COMPONENTS



NEEDLE BAR FRAME & PRESSER BAR COMPONENTS

No.	Supply Code	Parts No.	Replacement	Parts name	Remarks	Choice	Step	Level	Cons	Qty	Rep. QTY
45		B1466158000		WALKING BAR						1	
46		B14600570A0		PRESSER BAR LIFT- ING BRACKET AS						1	
47		SS7111710SH		SCREW 11/64-40L=17				*		1	
48		B1470158NB0		WALKING FOOT ASM. 3/4	FOR LG-1- 58 STAND- ARD GAUGE(3/4")					1	
49		SS7090910TP		SCREW 9/64-40 L=8.5				*		1	
50		B1501057000		PRESSER BAR						1	
51		B1502051000		PRESSER BAR GUIDE SLEEVE						1	
52		SS8152030SP		SCREW 15/64-28L=20						1	
53		B15040570A0		PRESSER BAR GUI- DE BRACKET ASM.						1	
54	R	SS7090910SP	SS7090910TP	SCREW 9/64-40 L=8.5				*		1	1.00
55		B1503051A00		PRESSER BAR BUSHING, UPPER						1	
56		B1503057000		PRESSER BAR BUSHING, LOWER						1	
57		B15075620A0		PRESSER BAR GUI- DE BRACKET ASM.						1	
58		SS6091210TP		SCREW 9/64-40 L=12				*		1	
59		B1525057N00		PRESSER FOOT (3/4")	FOR LG-1- 58 STAND- ARD GAUGE(3/4")					1	
60		SS6091210TP		SCREW 9/64-40 L=12						1	
61		NS6090310SP		NUT 9/64-40						1	
62		B1432158000		METAL FELT						.06	

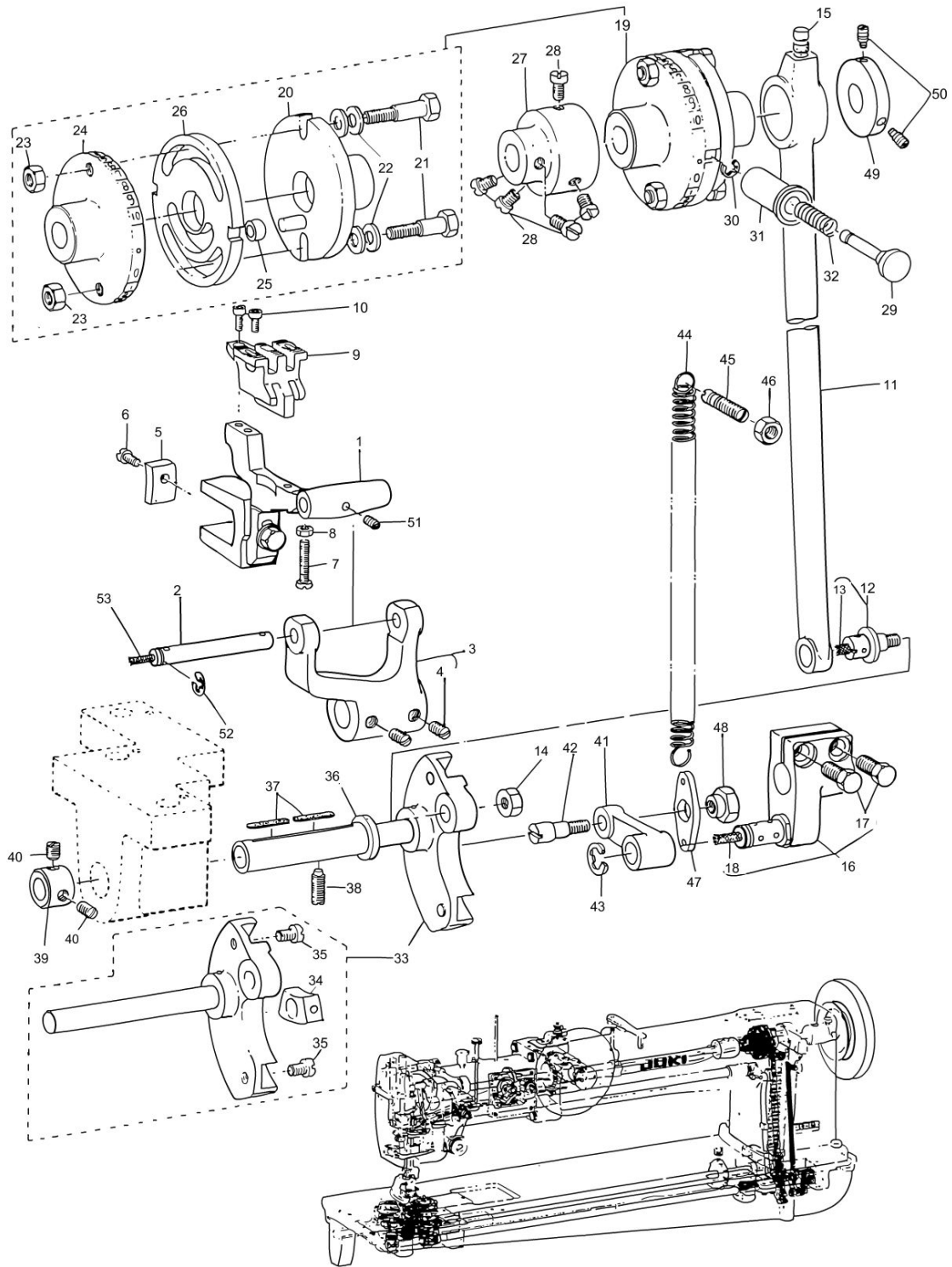
FEED ROCK SHAFT COMPONENTS



FEED ROCK SHAFT COMPONENTS

No.	Supply Code	Parts No.	Replacement	Parts name	Remarks	Choice	Step	Level	Cons	Qty	Rep. QTY
1		B16021580A0		FEED BASE ASM.	EXCLUSIVE PART FOR LG-158					1	
2		B1603158000		FEED BASE SHAFT						1	
3		B16161580A0		FEED BASE CRANK ASM.						1	
4		SS8661040TP		SCREW 1/4-40 L=10				*		2	
5		B1605051000		OIL SUPPLY FELT						1	
6		SS5080710SP		SCREW 1/8-44 L= 6.5						1	
7		SS6081810SP		SCREW 1/8-44 L=18.0						1	
8		NS6080210SP		NUT 1/8-44						1	
9		B1613057N00		FEED DOG (3/4")	FOR LG-1-58 STAND-ARD GAUGE(3/4")					1	
10		SS6580612TP		SCREW 1/8-40 L=6.3						2	
11		B1614158000		CRANK CONN ECTING ROD						1	
12		B16151580A0		SCREW STUD ASM.						1	
13		CQ505000000		OIL WICK				*		0.01	
14		NS6150430SP		NUT 15/64-28						1	
15		B1226552000		ROLLER FELT						2	
16		B16181580A0		CROSSWISE FEED ARM.						1	
17		SS9151440CP		SCREW15/64-28L=14				*		2	
18		CQ505000000		OIL WICK				*		0.02	
19		B16201580B0		FEED ECCENTRIC ASM.						1	
20	R	B16201580A0	B16201580B0	FEED ECCENTRIC ASM.				*		1	1.00
21		SD0701301SP		HINGE SCREW D= 7 H=13				*		2	
22		B1629158000		WASHER				*		4	
23		NS6150430SP		NUT 15/64-28				*		2	
24		B16211580A0		STITCH GRADUATOR SCALE				*		1	
25		B1622158000		FEED ECCENTRIC GUIDE ROLLER				*		1	
26		B1626158000		FEED ECCENTRIC GUIDE				*		1	
27		B1625158000		FEED ECCENTRIC RET COLLAR						1	
28		SS6661110SP		SCREW 1/4-40 L=11						5	
29		B1636158000		PUSH BUTTON						1	
30		RE0400000K0		E-SHAPED SNAP RING (4MM)						1	
31		B1637158000		PUSH BUTTON BUSHING						1	
32		B1639158000		PUSH BUTTON SPRING						1	
33		B16411580A0		REVERSE FEED LINK GUIDE ASM.						1	
34	R	B1645158000	B16411580A0	REVERSE FEED LINK SLIDE # BLOC				*		1	1.00
35		SS7120410TP		SCREW 3/16-28 L=4.2				*		2	
36		B1640158000		REVERSE FEED LINK GUIDE BUSHIN						1	
37		B1304012A00		OIL FELT						2	
38		SS8151550SP		SCREW15/64-28L=15						1	
39		CS0951111SH		THRUST COLLAR D=9.5 W=3						1	
40		SS8150510TP		SCREW 15/64-28 L= 4.7						2	
41		B1644158000		REVERSE FEED LINK						1	
42		B1646158000		REVERSE FEED LINK SCREW STUD						1	
43		RE0700000K0		SNAP RING 7						1	
44		B1650158000		SPRING						1	

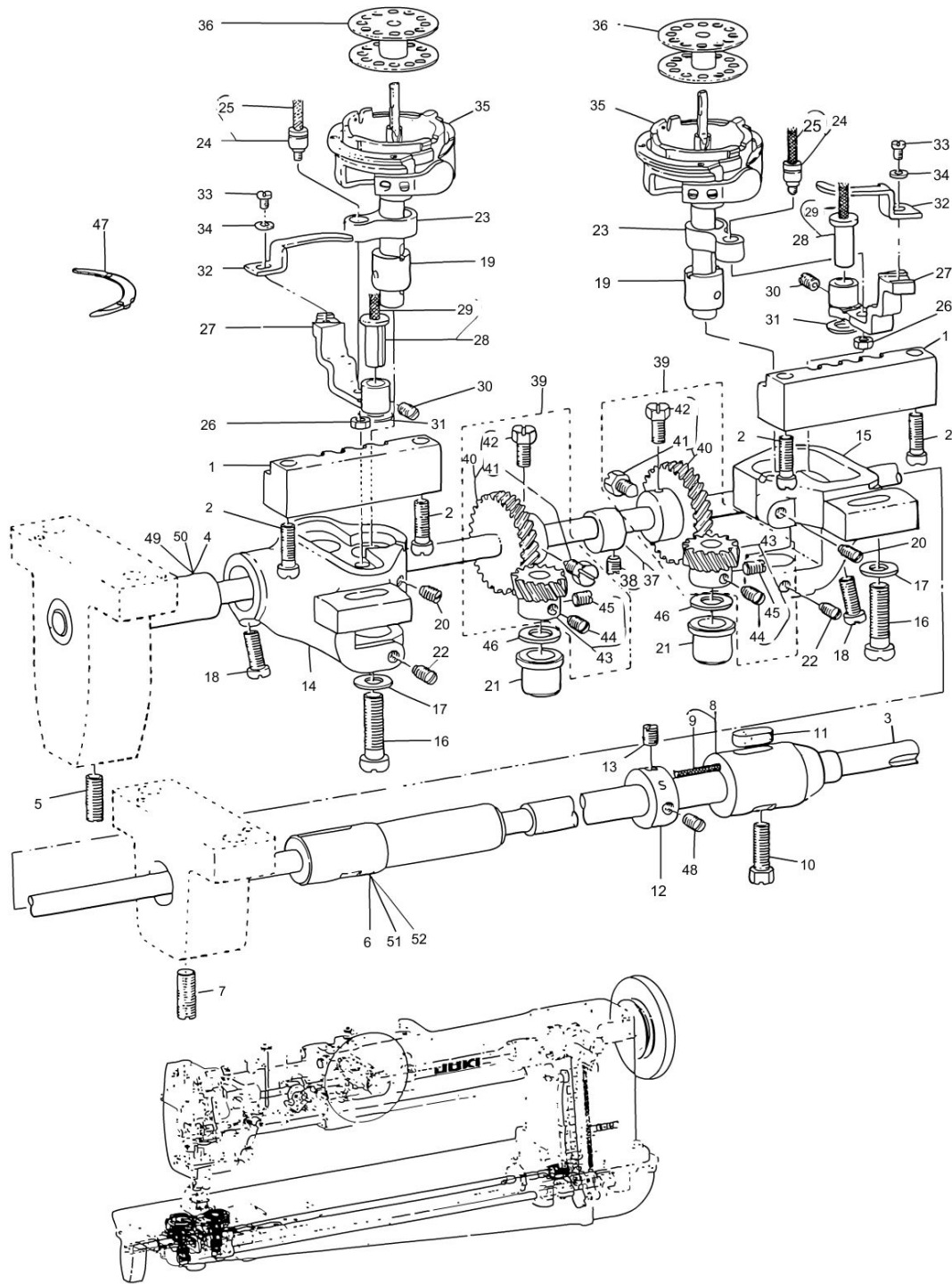
FEED ROCK SHAFT COMPONENTS



FEED ROCK SHAFT COMPONENTS

No.	Supply Code	Parts No.	Replacement	Parts name	Remarks	Choice	Step	Level	Cons	Qty	Rep. QTY
45		B1651158000		SPRINGSUSPENSION						1	
46	R	NS6680410SN	NS6680410SP	NUT 9/32-28						1	1.00
47		B1647158000		SUSPENSION						1	
48		B1648158000		SUSPENSION NUT						1	
49	R	B1612158000	B16121580A0	THRUST HOLDER						1	1.00
50		SS8111251SP		SCREW 11/64-40 L=12.0						2	
51	R	SS8110510SP	SS8110520TP	SCREW 11/64-40 L=5						1	1.00
52		RE0500711KP		SNAP RING 5						1	
53		CQ202000000		OIL WICK						.14	

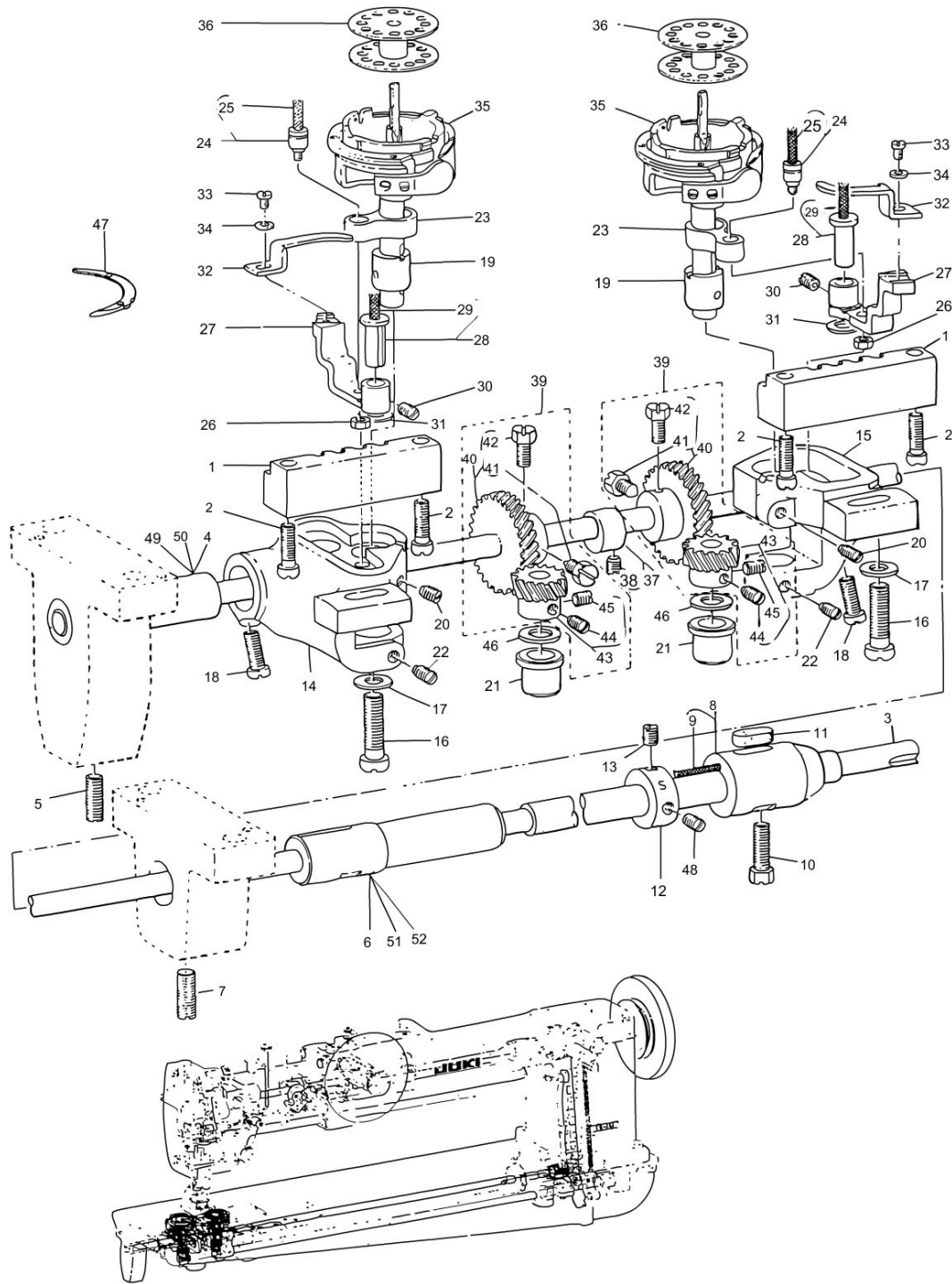
SEWING HOOK DRIVING SHAFT COMPONENTS



SEWING HOOK DRIVING SHAFT COMPONENTS

No.	Supply Code	Parts No.	Replacement	Parts name	Remarks	Choice	Step	Level	Cons	Qty	Rep. QTY
1		B1800057000		HOOK SHAFT SADDLE HOLDER						2	
2		SS6151920SP		SCREW 15/64-28 L=19.0						4	
3		B1801158000		HOOK DRIVING SHAFT						1	
4		B1802057000		HOOK DRIVING SH- AFT BUSHING, FR	FOR GAUG- E SIZE(1/4"-1")					1	
5		SS8152030SP		SCREW 15/64-28L=20						1	
6		B1804057B00		BUSHING (2), INTERMEDIATE	FOR GAUG- E SIZE(1/4"-1")					1	
7		SS8152030SP		SCREW 15/64-28L=20						1	
8		B18081580A0		BUSHING ASM., REAR						1	
9		CQ303000000		OIL WICK				*		0.05	
10		SS9152130CP		SCREW 15/64-28 L=20.5						1	
11		B1218012000		REAR BUSHING OIL FELT						1	
12		GS1401011SM		THRUST COLLAR D=14.0 W=10						1	
13	R	SS8150710SP	SS8150710TP	SCREW 15/64-28 L=7						1	1.00
14		B1810051000		HOOK SHAFT SADDLE, LEFT						1	
15		B1811051000		HOOK SHAFT SADDLE, RIGHT						1	
16		SS7762840SP		SCREW 1/4-28 L=28.0						2	
17		WP0753016SZ		WASHER 7.5X16.0X3.0						2	
18		SS6153040SP		SCREW 15/64-28L=30						2	
19	R	B1814158000	40160303	HOOK SHAFT UPPER BUSHING						2	1.00
20	R	SS8150710SP	SS8150710TP	SCREW 15/64-28 L=7						2	1.00
21		B1815051000		HOOK DRIVING SH- AFT BUSHING, LO						2	
22	R	SS8150710SP	SS8150710TP	SCREW 15/64-28 L=7						2	1.00
23		B1820057000		BOBBIN CASE OPE- NING LEVER LINK						2	
24		B18210510A0		SCREW STUD ASM.						2	
25		CQ252000000		OIL WICK				*		0.02	
26		NS6110420SP		NUT 11/64-40						2	
27		B1822057000		BOBBIN CASE OPE- NING LEVER CRAN						2	
28		B18231580A0		PIN ASM.						2	
29		CQ252000000		OIL WICK				*		0.02	
30	R	SS8150710SP	SS8150710TP	SCREW 15/64-28 L=7						2	1.00
31		B1825158000		WASHER						2	
32		B1824057000		BOBBIN CASE OPENING LEVER						2	
33		SS7080510TP		SCREW 1/8-44 L=4.5						2	
34		WP0371016SD		WASHER 3.7X8X1						2	
35		40032438		HOOK ASM.						2	
36		B9117057000		BOBBIN						2	
37		B18400510A0		FEED DRIVING ECCENTRIC ASM.						1	
38		SS8150580SP		SCREW 15/64-28 L=5				*		1	
39		B18160510B0		HOOK DRIVING SHAFT GEAR ASM.						2	
40		B18160510A0		HOOK DRIVING SH- AFT GEAR ASM, L				*		2	
41		SS9660910SP		SCREW 1/4-40 L=9.4				*		2	
42		SS9660810SP		SCREW 1/4-40 L=7.9				*		2	
43		B18170510A0		HOOK DRIVING SH- AFT GEAR ASM, S				*		2	
44		SS8660670SP		SCREW 1/4-40 L= 6.1				*		2	

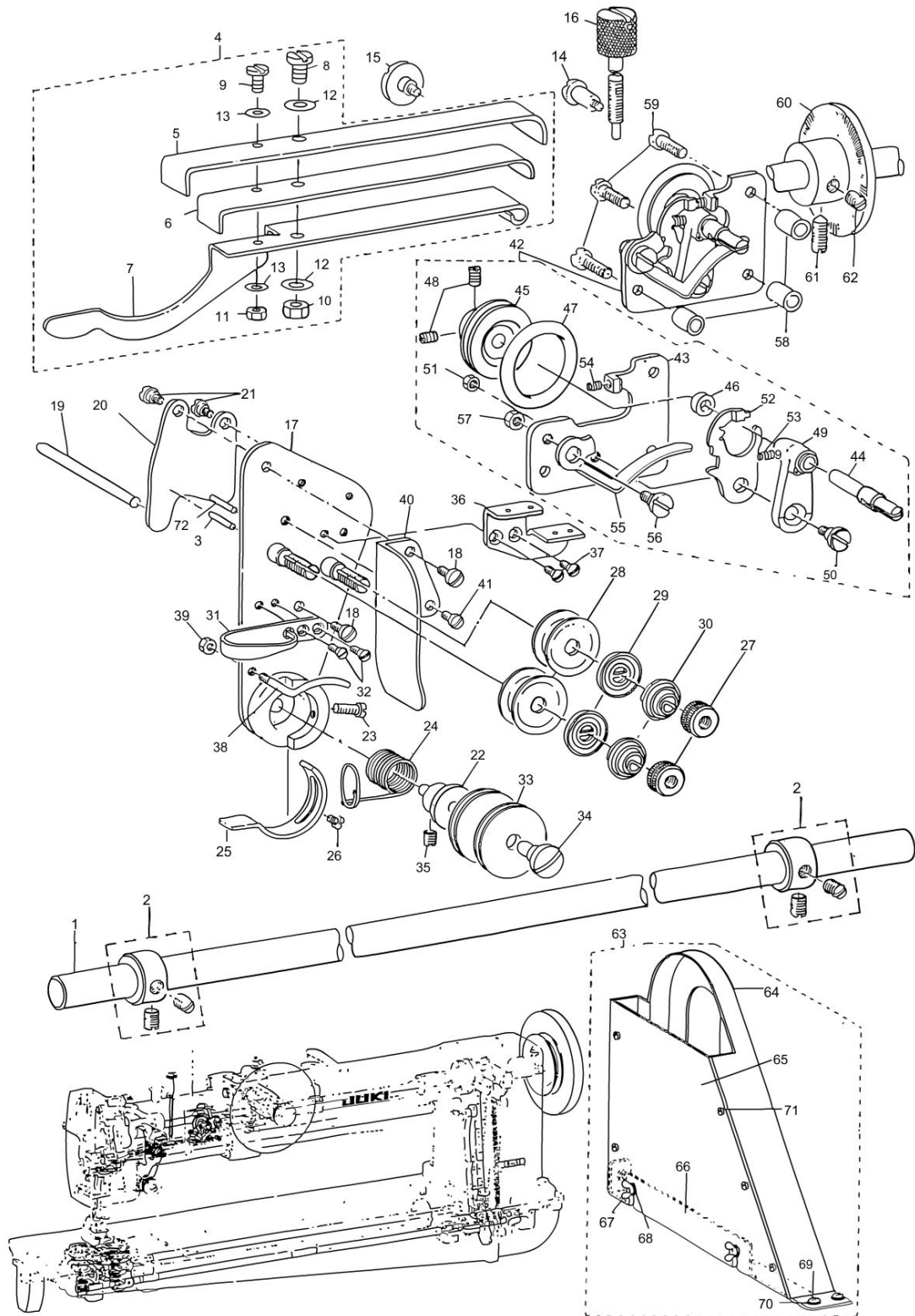
SEWING HOOK DRIVING SHAFT COMPONENTS



SEWING HOOK DRIVING SHAFT COMPONENTS

No.	Supply Code	Parts No.	Replacement	Parts name	Remarks	Choice	Step	Level	Cons	Qty	Rep. QTY
45		SS8660530TP		SCREW 1/4-40 L= 4.5				*		2	
46		B1818051A00		THRUST WASHER						2	
47		40032430		INNER HOOK PRESSER	SPACIAL ORDER PART					1	
48	R	SS8150830SP	SS8150822TP	SCREW						1	1.00
49		B1802057C00		LOWER SHAFT FRONT METAL C	FOR GAUGE SIZE(1-1/4",1-1/2",2")					1	
50		B1802057D00		LOWER SHAFT FRONT METAL (D)	FOR GAUGE SIZE(2-1/4",2-1/2")					1	
51		B1804057C00		LOWER SHAFT INNER METAL C	FOR GAUGE SIZE(1-1/4",1-1/2",2")					1	
52		B1804057D00		LOWER SHAFT INNER METAL (D)	FOR GAUGE SIZE(2-1/4",2-1/2")					1	

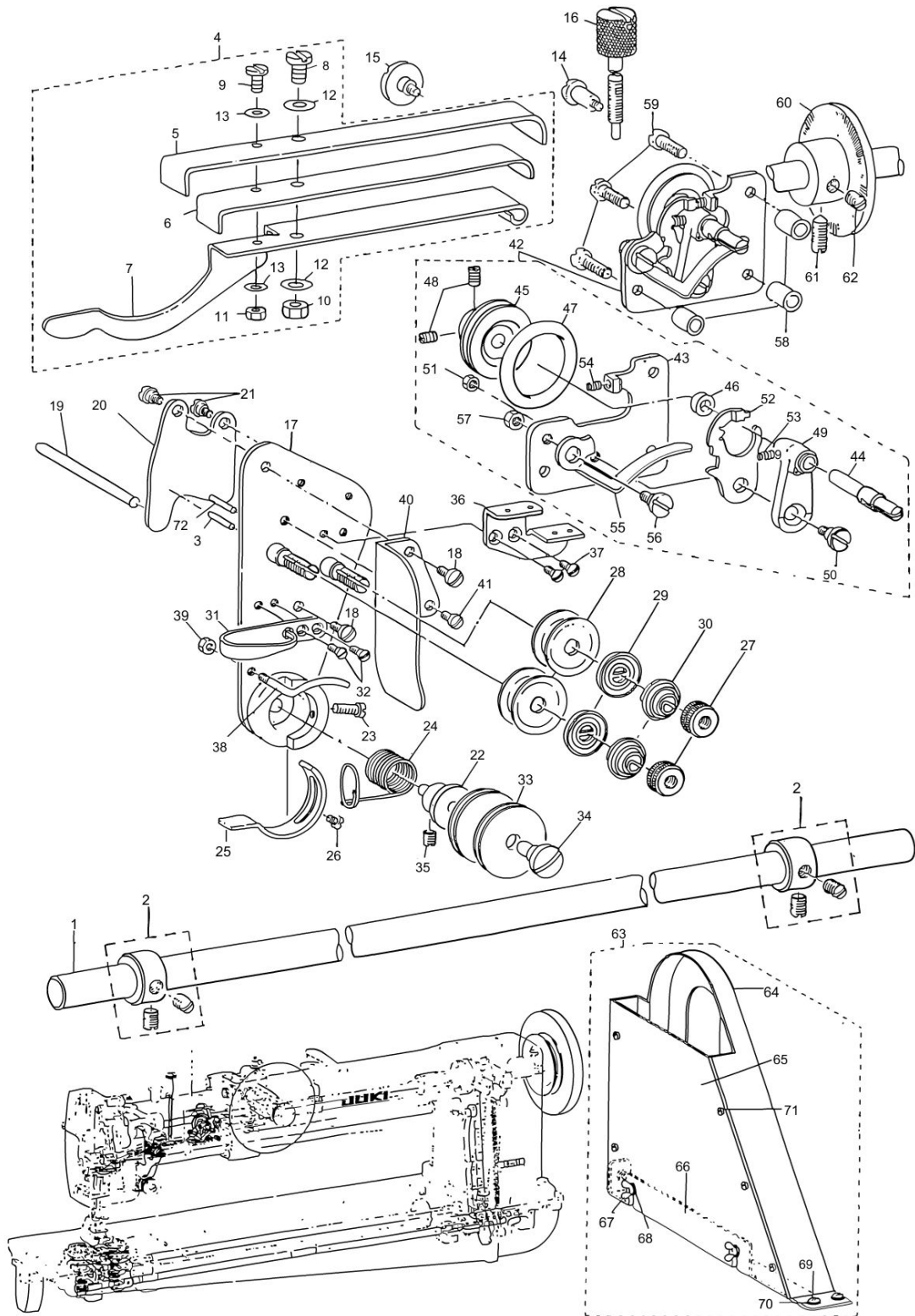
THREAD TENSION & THREAD WINDER COMPONENTS



THREAD TENSION & THREAD WINDER COMPONENTS

No.	Supply Code	Parts No.	Replacement	Parts name	Remarks	Choice	Step	Level	Cons	Qty	Rep. QTY
1		B1601158000		FEED ROCK SHAFT						1	
2		CS140101BSP		THRUST COLLAR ASM.						2	
3		B312715800B		THREAD RELEASE PIN B						1	
4		B15051580A0		ADJUSTING PLATE SPRING ASM.						1	
5	R	B150515800A	B15051580A0	PRESSER ADJUSTING PLATE SPRING				*		1	1.00
6	R	B150515800B	B15051580A0	PRESSER ADJUSTING PLATE SPRING				*		1	1.00
7	R	B150515800C	B15051580A0	PRESSER ADJUSTING PLATE SPRING				*		1	1.00
8		SS6151440SP		SCREW 15/64-28L=14				*		1	
9		SS6081010TP		SCREW 1/8-44 L=10				*		1	
10		NS6150430SP		NUT 15/64-28				*		1	
11		NS6080210SP		NUT 1/8-44				*		1	
12		WP0621026SP		WASHER 6.2X9.5X1				*		2	
13	R	WP0350516SD	WP0320500SD	WASHER 3.5X6X0.5				*		2	1.00
14		SD0801601SP		HINGE SCREW D= 8 H=16						1	
15		SD0800481SP		HINGE SCREW D= 8 H= 4.9						1	
16		B15071580A0		PRESSURE BAR FLAT SPRING ASM.						1	
17		B31210570B0		THREAD TENSION BASE PLATE ASM.						1	
18	R	SS7110910SP	SS7110910TP	SCREW 11/64-40 L=8.5						2	1.00
19		B3122057000		TENSION RELEASE BAR						1	
20		B3134057000		TENSION RELEASE LEVER						1	
21		SD0470281SP		HINGE SCREW D=4.7 H=2.8						2	
22		B3123057000		TAKE-UP SPRING STUD						1	
23		SS7111110TP		SCREW 11/64-40 L=10.5						1	
24		B3128057B00		TAKE-UP SPRING						1	
25		B3143057000		TAKE-UP SPRING ADJUSTING PLATE						1	
26	R	SS7090520SP	SS7090520TP	SCREW 9/64-40L=4.5						1	1.00
27	R	B3125012000	22928808	THREAD TENSION NUT						2	1.00
28	R	B3126012000	22921506	THREAD TENSION DISK						4	1.00
29		B3132012000		TENSION DISC HOLDER						2	
30		B3129053000		TENSION SPRING						2	
31		B3140057000		TENSION THREAD GUIDE						1	
32		SS2090520SL		SCREW 9/64-40 L=5						2	
33		B3138057000		THREAD GUIDE ROLLER						2	
34		B3139057000		THREAD GUIDE ROLLER STUD						1	
35		SS8090410SP		SCREW 9/64-40L=3.5						1	
36		B3141057000		THREAD GUIDE PLATE						1	
37		SS2090510SP		SCREW 9/64-40 L=5						2	
38		B3131057000		L-SHAPED THREAD GUIDE						1	
39		NS6080210SP		NUT 1/8-44						1	
40		B3144057000		THREAD COVER						1	
41	R	SS7090520SP	SS7090520TP	SCREW 9/64-40L=4.5						1	1.00
42		B32011580A0		THREAD WINDER ASM.						1	
43	D	B3201158000		THREAD WINDER BASE				*		1	
44		B3202158000A		THREAD WIDING SHAFT				*		1	

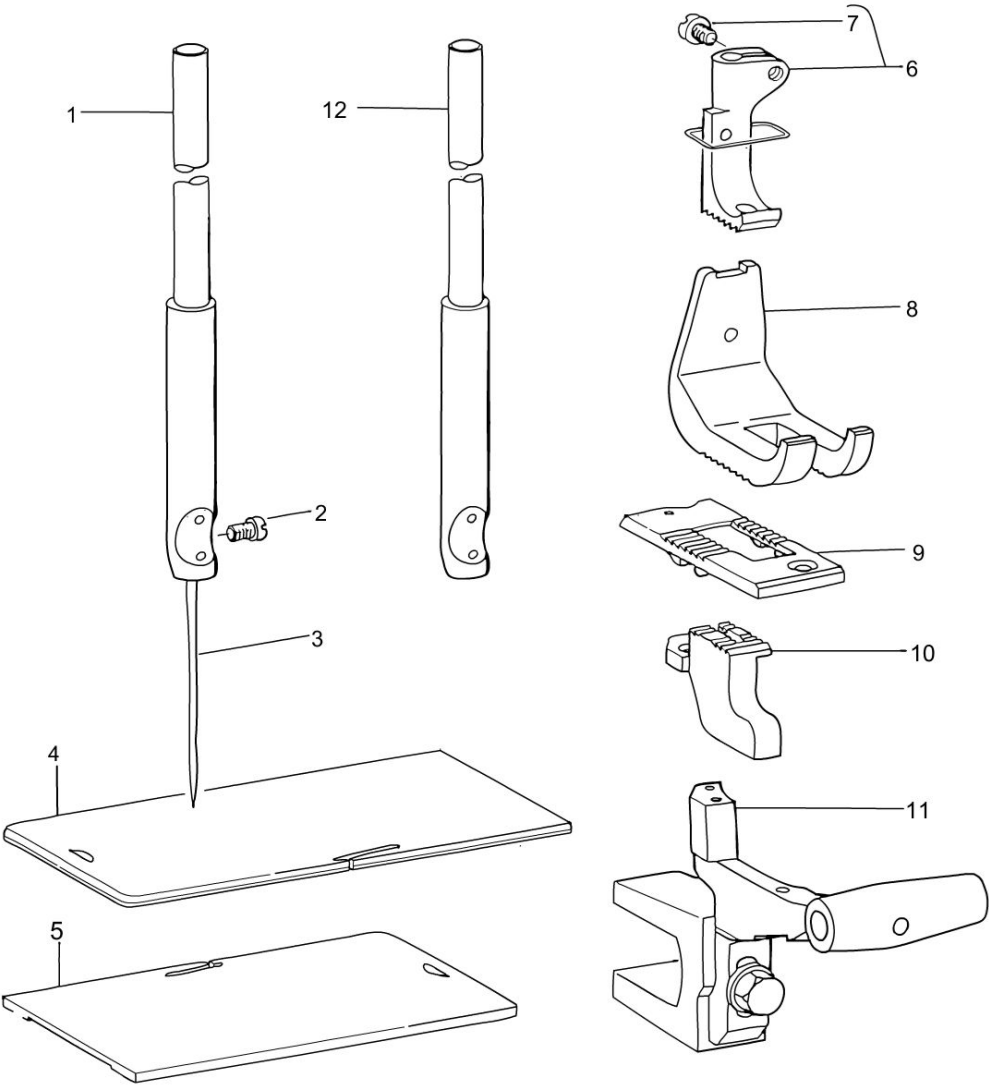
THREAD TENSION & THREAD WINDER COMPONENTS



THREAD TENSION & THREAD WINDER COMPONENTS

No.	Supply Code	Parts No.	Replacement	Parts name	Remarks	Choice	Step	Level	Cons	Qty	Rep. QTY
45		B3211210000		BOBBIN WINDER WHEEL				*		1	
46		B3207158000A		THREAD WIDING SHAFT COLLAR				*		1	
47		B3212210000		FRICTION WHEEL				*		1	
48	R	SS8110510SP	SS8110520TP	SCREW 11/64-40 L=5				*		2	1.00
49		B3204232000		BOBBIN WINDER FRAME				*		1	
50		B3205232000		HINGE SCREW,				*		1	
51		NS6110310SP		NUT 11/64-40				*		1	
52		B3206232000		BOBBIN WINDER TE- NSION BRACKET				*		1	
53		B3208232000		SPRING				*		1	
54		A3222958000		BOBBIN WINDER SPRING, LONG				*		1	
55		B3210158000		BOBBIN PRESSER				*		1	
56		SD0720193SP		HINGE SCREW D= 7.24 H= 1.9				*		1	
57		NS6110310SP		NUT 11/64-40				*		1	
58		B3203158000		WASHER						3	
59	R	SS7111810SP	SS7111810TP	SCREW 11/64-40 L=18						3	1.00
60		B3215232000		BOBBIN WINDER FRICTION WHEEL						1	
61	R	SS8151150SP	SS8151150TP	SCREW 15/64-28 L=10.5						1	1.00
62	R	SS8150710SP	SS8150710TP	SCREW 15/64-28 L=7						1	1.00
63		B82301580A0		BELT COVER ASM.						1	
64		B8230158000		BELT COVER				*		1	
65		B8231158000		BELT COVER SIDE PLATE				*		1	
66		B8232158000		AUXILIARY PLATE				*		1	
67		B8233158000		WING SCREW				*		3	
68		WP0501016SC		WASHER 5X10.5X1				*		3	
69	R	SK3482500SC	SK3482501SE	WOOD SCREW D=4.8 L=25				*		5	1.00
70		WP0501016SC		WASHER 5X10.5X1				*		5	
71		SS7110510SP		SCREW 11/64-40 L=5				*		5	
72		B312715800A		THREAD RELEASE PIN A						1	

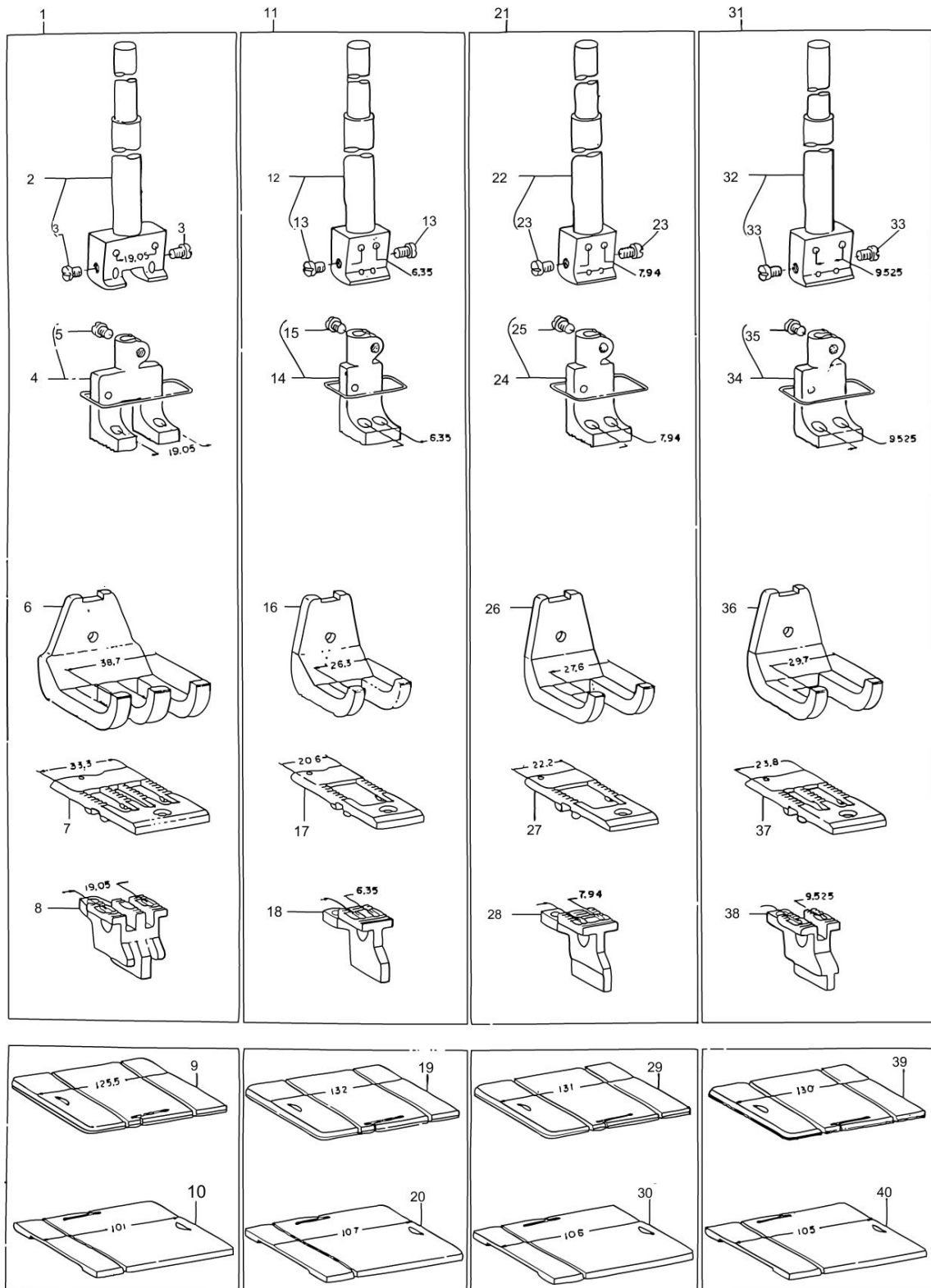
EXCLUSIVE PARTS FOR LG-158-1



EXCLUSIVE PARTS FOR LG-158-1

No.	Supply Code	Parts No.	Replacement	Parts name	Remarks	Choice	Step	Level	Cons	Qty	Rep. QTY
1		D1401057A0BA		NEEDLE BAR						1	
2		SS7620610SP		SCREW 3/16-32 L=6.0						1	
3		MDD100B2500		NEEDLE DDX1 #25						1	
4		B1112057N00		BED SLIDE LEFT 3/4						1	
5		D1113057A00		BED SLIDE, RIGHT						1	
6		D1470158AB0		WALKING FOOT ASM.						1	
7		SS7090910TP		SCREW 9/64-40 L=8.5				*		1	
8		D1525057A00		PRESSER FOOT						1	
9		D1109057A00		THROAT PLATE (F-OR SINGLE NEEDL						1	
10	R	D1613158A00	D1613057A00	FEED DOG						1	1.00
11		D1602158AA0		FEED BASE ASM.						1	
12		D1401158A00		NEEDLE ROD	SPACIAL ORDER PART					1	

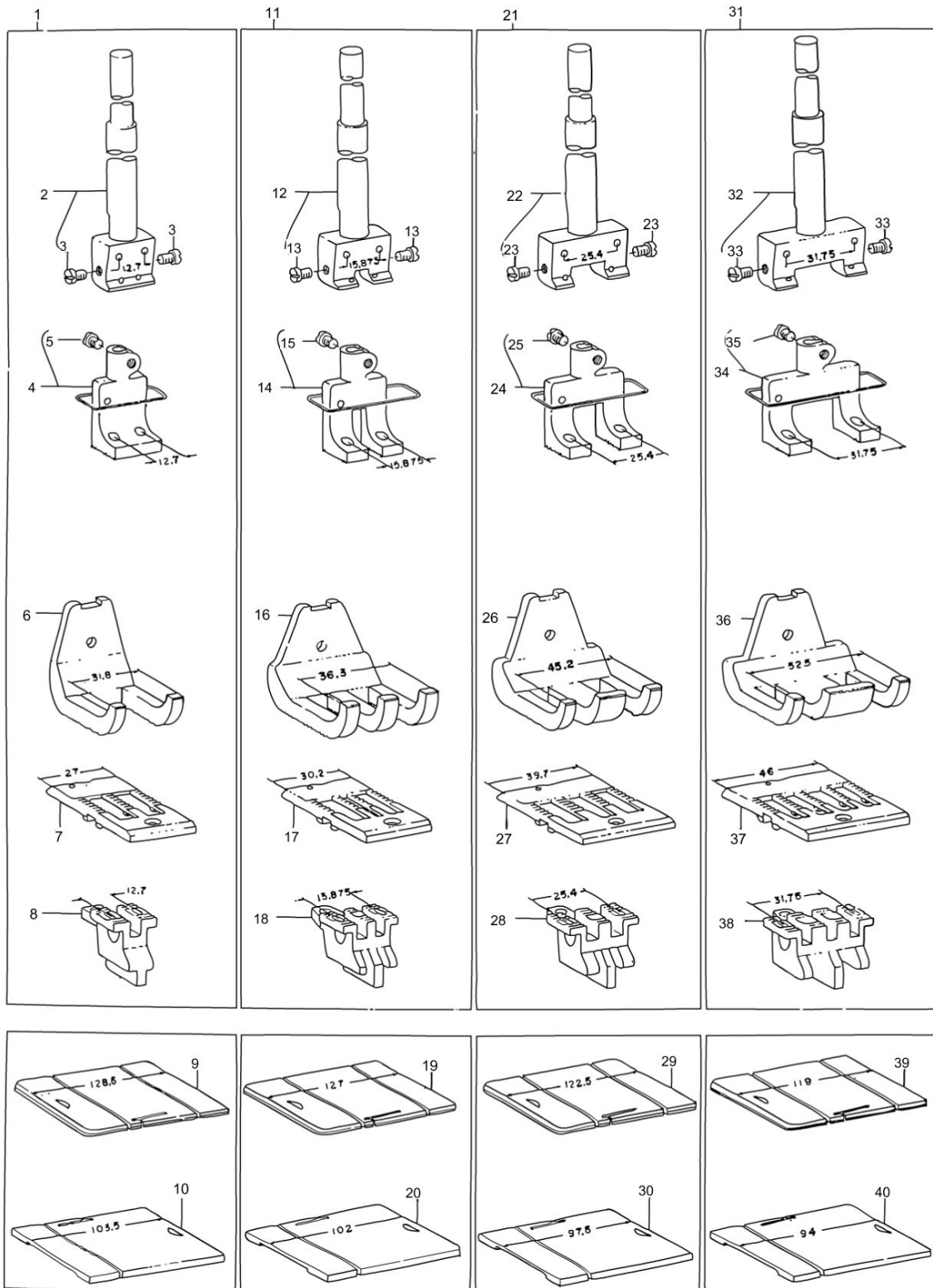
EXCHANGING GAUGE PARTS (1)



EXCHANGING GAUGE PARTS (1)

No.	Supply Code	Parts No.	Replacement	Parts name	Remarks	Choice	Step	Level	Cons	Qty	Rep. QTY
1		B1109158NF0		GAUGE SET 3/4						1	
2		B1401057NAB		NEEDLEBARASM.3/4				*		1	
3		SS7620610SP		SCREW 3/16-32 L=6.0				*		2	
4		B1470158NB0		WALKING FOOT ASM. 3/4				*		1	
5		SS7090910TP		SCREW 9/64-40 L=8.5				*		1	
6		B1525057N00		PRESSER FOOT (3/4")				*		1	
7		B1109057N00		THROAT PLATE (3/4)				*		1	
8		B1613057N00		FEED DOG (3/4")				*		1	
9		B1112057N00		BED SLIDE LEFT 3/4						1	
10		B1113057N00		BED SLIDE RIGHT 3/4						1	
11		B1109158FF0		GAUGE SET 1/4						1	
12		B1401057FAB		NEEDLEBARASM.1/4				*		1	
13		SS7620610SP		SCREW 3/16-32 L=6.0				*		2	
14		B1470158FB0		WALKING FOOT ASM. 1/4				*		1	
15		SS7090910TP		SCREW 9/64-40 L=8.5				*		1	
16		B1525057F00		PRESSER FOOT (1/4)				*		1	
17		B1109057F00		THROAT PLATE (1/4)				*		1	
18		B1613057F00		FEED DOG (1/4)				*		1	
19		B1112057F00		BED SLIDE,LEFT 1/4						1	
20		B1113057F00		BED SLIDE,RIGHT 1/4						1	
21		B1109158HF0		GAUGE SET 5/16						1	
22		B1401057HAB		NEEDLE BAR ASM. 5/16				*		1	
23		SS7620610SP		SCREW 3/16-32 L=6.0				*		2	
24		B1470158HB0		WALKING FOOT ASM. 5/16				*		1	
25		SS7090910TP		SCREW 9/64-40 L=8.5				*		1	
26		B1525057H00		PRESSER FOOT				*		1	
27		B1109057H00		THROAT PLATE 5/16				*		1	
28		B1613057H00		FEED DOG 5/16				*		1	
29		B1112057H00		BED SLIDE,LEFT 5/16						1	
30		B1113057H00		BED SLIDE,RIGHT 5/16						1	
31		B1109158KF0		GAUGE SET 3/8						1	
32	R	B1401057KAB	SS7620610SP	NEEDLEBARASM.3/8		A		*		1	2.00
32	R	B1401057KAB	B1401057K0B	NEEDLEBARASM.3/8		A		*		1	1.00
33		SS7620610SP		SCREW 3/16-32 L=6.0				*		2	
34		B1470158KB0		WALKING FOOT ASM. 3/8				*		1	
35		SS7090910TP		SCREW 9/64-40 L=8.5				*		1	
36		B1525057K00		PRESSER FOOT (3/8)				*		1	
37		B1109057K00		THROAT PLATE (3/8)				*		1	
38		B1613057K00		FEED DOG (3/8)				*		1	
39		B1112057K00		BED SLIDE,LEFT 3/8						1	
40		B1113057K00		BED SLIDE,RIGHT 3/8						1	

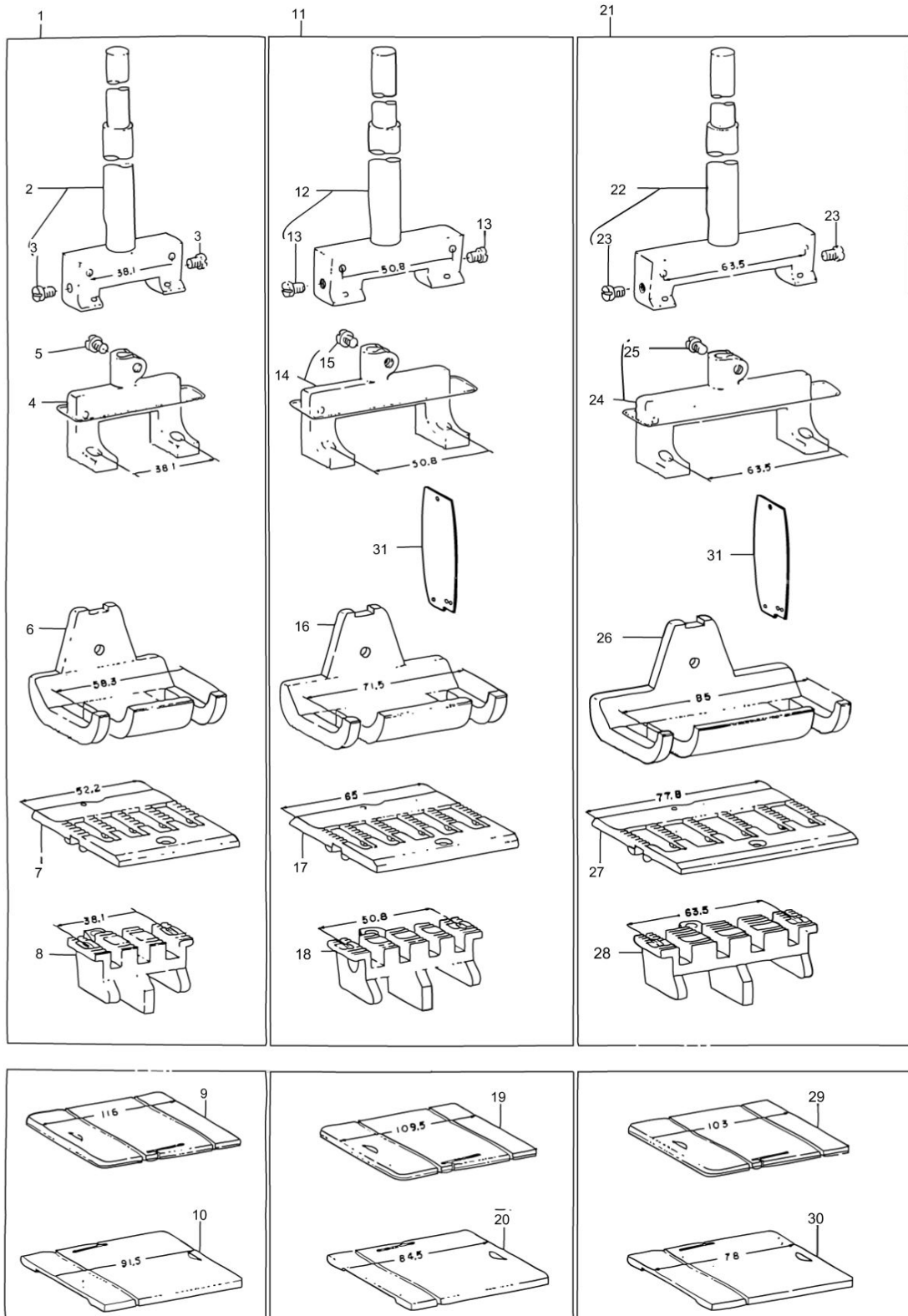
EXCHANGING GAUGE PARTS (2)



EXCHANGING GAUGE PARTS (2)

No.	Supply Code	Parts No.	Replacement	Parts name	Remarks	Choice	Step	Level	Cons	Qty	Rep. QTY
1		B1109158LF0		GAUGE SET 1/2						1	
2		B1401057LAB		NEEDLEBARASM. 1/2				*		1	
3		SS7620610SP		SCREW 3/16-32 L=6.0				*		2	
4		B1470158LB0		WALKING FOOT ASM. 1/2				*		1	
5		SS7090910TP		SCREW 9/64-40 L=8.5				*		1	
6		B1525057L00		PRESSER FOOT (1/2)				*		1	
7		B1109057L00		THROAT PLATE (1/2)				*		1	
8		B1613057L00		FEED DOG (1/2)				*		1	
9		B1112057L00		BED SLIDE,LEFT 1/2						1	
10		B1113057L00		BED SLIDE,RIGHT 1/2						1	
11	D	B1109158MF0		GAUGE SET 5/8						1	
12		B1401057MAB		NEEDLEBARASM. 5/8				*		1	
13		SS7620610SP		SCREW 3/16-32 L=6.0				*		2	
14		B1470158MB0		WALKING FOOT ASM. 5/8				*		1	
15		SS7090910TP		SCREW 9/64-40 L=8.5				*		1	
16		B1525057M00		PRESSER FOOT (5/8)				*		1	
17		B1109057M00		THROAT PLATE (5/8)				*		1	
18		B1613057M00		FEED DOG				*		1	
19		B1112057M00		BED SLIDE,LEFT 5/8						1	
20		B1113057M00		BED SLIDE,RIGHT 5/8						1	
21		B1109158QF0		GAUGE SET 1						1	
22		B1401057QAB		NEEDLE BAR ASM. 1				*		1	
23		SS7620610SP		SCREW 3/16-32 L=6.0				*		2	
24		B1470158QB0		WALKING FOOT ASM. 1				*		1	
25		SS7090910TP		SCREW 9/64-40 L=8.5				*		1	
26		B1525057Q00		PRESSER FOOT (1)				*		1	
27		B1109057Q00		THROAT PLATE (1)				*		1	
28		B1613057Q00		FEED DOG (1)				*		1	
29		B1112057Q00		BED SLIDE,LEFT 1						1	
30		B1113057Q00		BED SLIDE,RIGHT 1						1	
31		B1109158SF0		GAUGE SET 1-1/4						1	
32		B1401057SAB		NEEDLE BAR ASM. 1-1/4				*		1	
33		SS7620610SP		SCREW 3/16-32 L=6.0				*		2	
34		B1470158SB0		WALKING FOOT ASM. 1-1/4				*		1	
35		SS7090910TP		SCREW 9/64-40 L=8.5				*		1	
36		B1525057S00		PRESSER FOOT (1-1/4)				*		1	
37		B1109057S00		THROAT PLATE				*		1	
38		B1613057S00		FEED DOG (1-1/4)				*		1	
39		B1112057S00		BED SLIDE,LEFT 1-1/4						1	
40		B1113057S00		BED SLIDE,RIGHT 1-1/4						1	

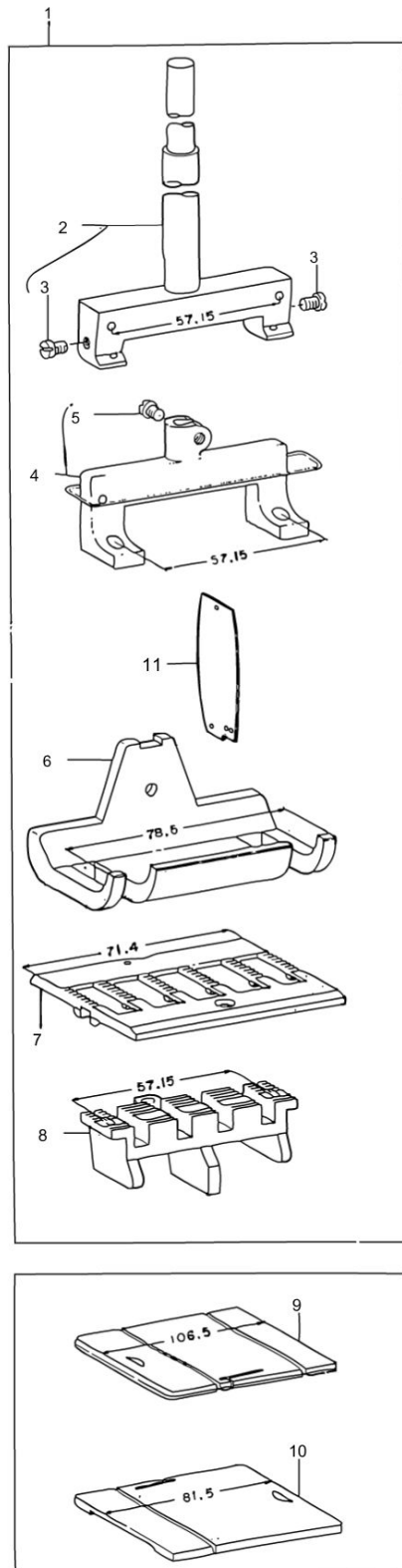
EXCHANGING GAUGE PARTS (3)



EXCHANGING GAUGE PARTS (3)

No.	Supply Code	Parts No.	Replacement	Parts name	Remarks	Choice	Step	Level	Cons	Qty	Rep. QTY
1		B1109158UF0		GAUGE SET 1-1/2						1	
2		B1401057UAB		NEEDLE BAR ASM. 1-1/2				*		1	
3		SS7620610SP		SCREW 3/16-32 L=6.0				*		2	
4		B1470158UB0		WALKING FOOT ASM. 1-1/2				*		1	
5		SS7090910TP		SCREW 9/64-40 L=8.5				*		1	
6		B1525057U00		PRESSER FOOT (1-1/2)				*		1	
7		B1109057U00		THROAT PLATE (1-1/2)				*		1	
8		B1613057U00		FEED DOG (1-1/2)				*		1	
9		B1112057U00		BED SLIDE,LEFT 1-1/2						1	
10		B1113057U00		BED SLIDE,RIGHT 1-1/2						1	
11		B11091582F0		GAUGE SET 2						1	
12		B14010572AB		NEEDLE BAR ASM. 2				*		1	
13		SS7620610SP		SCREW 3/16-32 L=6.0				*		2	
14	D	B14701582B0		WALKING FOOT ASM. 2				*		1	
15		SS7090910TP		SCREW 9/64-40 L=8.5				*		1	
16		B1525057200		PRESSER FOOT				*		1	
17		B1109057200		THROAT PLATE 2				*		1	
18		B1613057200		FEED DOG 2				*		1	
19		B1112057200		BED SLIDE,LEFT 2						1	
20		B1113057200		BED SLIDE,RIGHT 2						1	
21		B11091583F0		GAUGE SET 2-1/2						1	
22		B14010573AB		NEEDLE BAR ASM. 2-1/2				*		1	
23		SS7620610SP		SCREW 3/16-32 L=6.0				*		2	
24		B14701583B0		WALKING FOOT ASM. 2-1/2				*		1	
25		SS7090910TP		SCREW 9/64-40 L=8.5				*		1	
26		B1525057300		PRESSER FOOT				*		1	
27		B1109057300		THROATPLATE2-1/2				*		1	
28		B1613057300		FEED DOG 2-1/2				*		1	
29		B1112057300		BED SLIDE,LEFT 2-1/2						1	
30		B1113057300		BED SLIDE,RIGHT 2-1/2						1	
31		B310115800A		FACE PLATE						1	

EXCHANGING GAUGE PARTS (4)



EXCHANGING GAUGE PARTS (4)

No.	Supply Code	Parts No.	Replacement	Parts name	Remarks	Choice	Step	Level	Cons	Qty	Rep. QTY
1		B11091534F0		GAUGE SET ASM. 2-1/4						1	
2		B14011584AB		NEEDLE BAR ASM. 2-1/4				*		1	
3		SS7620610SP		SCREW 3/16-32 L=6.0				*		2	
4		B14701584B0		WALKING FOOT ASM. 2-1/4				*		1	
5		SS7090910TP		SCREW 9/64-40 L=8.5				*		1	
6		B1525158400		WALKING FOOT ASM. 2-1/4				*		1	
7		B1109158400		THROATPLATE 2-1/4				*		1	
8		B1613158400		FEED DOG 2-1/4				*		1	
9		B1112158400		BED SLIDE, LEFT 2-1/4						1	
10		B1113158400		BED SLIDE, RIGHT 2-1/4						1	
11		B310115800A		FACE PLATE						1	

LIST FOR INFORMATION OF CHANGE (1)

As to the place changed, refer to the corresponding Rev.No.
 When previous parts(Obsoleted part)and new parts(Added parts)are
 not interchangeable with each other:
 In this case,even obsoleted parts(D.)can be ordered with the
 obsoleted part number,so select the parts with changed dates and
 place your orders.

変更箇所は、該当Rev.No.版をご参照ください。
 部品の互換性がない変更の場合は、削除された品番でも、ご注文できます。

BE1580TOPJA
 No.0015-10 Rev.No.

*A:Added parts追加部品/D:Obsoleted parts削除部品/E:Erratum訂正

* Rev. No.	Page 頁	Ref. No.	Parts No. 品番	* Rev. No.	Page 頁	Ref. No.	Parts No. 品番
D 09	2	15	SS-7090540-SP	A 10	2	15	SS-7090540-TP
D 09	2	20	B1157-009-OA0	A 10	2	20	B1156-115-000
D 09	2	24	B1291-158-000	A 10	2	24	B1291-158-00A
D 09	2	25	SS-2110920-SP	A 10	2	25	SS-2110920-TP
D 09	2	26	B1292-057-000	A 10	2	26	B1292-057-00A
D 09	2	27	SS-2110920-SP	A 10	2	27	SS-2110920-TP
D 09	2	38	B1296-057-000	A 10	2	38	B1296-057-00A
D 09	2	39	SS-2090710-SP	A 10	2	39	SS-2090710-TP
D 09	2	41	B1299-057-000	A 10	2	41	B1299-057-00A
				A 10	2	69	CM-3002000-03
				A 10	2	70	CM-3012000-02
D 09	4	8	B1201-158-000-A	A 10	4	8	400-21423
D 09	4	10	B1204-051-000	A 10	4	10	CQ-2520000-00
D 09	4	14	B1204-051-000	A 10	4	14	CQ-3030000-00
D 09	4	16	B1204-051-000	A 10	4	16	CQ-3030000-00
D 09	4	19	B1204-051-000	A 10	4	19	CQ-3030000-00
D 09	4	21	B1206-057-000-A	A 10	4	21	400-21422
D 09	4	22	SS-8681650-TP	A 10	4	22	SS-8701042-TP
D 09	4	23	B1207-057-000				
D 09	4	32	B1227-158-000	A 10	4	32	B1227-158-00A
D 09	4	38	SM-8080882-TP	A 10	4	38	SM-8080812-TP
D 09	4	44	SS-8090410-SP	A 10	4	44	SS8090540-SP
D 09	4	51	SS-7661110-TH				
				A 10	4	53	SS-9660910-SP
				A 10	4	54	SS-9660810-SP
				A 10	4	60	SS-8151230-SP
D 09	6	20	NS-6620310-SN				
D 09	6	58	SS-7091310-SP	A 10	6	58	SS-6091210-TP
D 09	8	28	SS-6660710-TP	A 10	8	28	SS-6661110-SP
D 09	10	35	B1830-057-SA0	A 10	10	35	400-32438
D 09	10	40	B1816-057-OA0	A 10	10	40	B1816-051-OA0
D 09	10	43	B1817-057-OA0	A 10	10	43	B1817-051-OA0
D 09	10	47	B1830-057-AOC	A 10	10	47	400-32430
D 09	12	2	CS-1401010-SC	A 10	12	2	CS-140101B-SP
D 09	12	3	SS-8150410-SP				
D 09	12	32	SS-2090510-SP	A 10	12	32	SS-2090520-SL

HOW TO MAKE USE OF THIS PARTS LIST

1.Explanation of codes

1)"*"mark.....means this part is changed from the previous parts book.

As to the details of the change, refer to the "List for information of change".

2)"#01".....refer to "Note" explanation at bottom of page.

2.Codes on the "Qty" column

- Each numeral indicates the number of parts required.
- "0.1" and "2.5" indicate the length (in meters) of the respective parts.

3.Parentheses mean that the corresponding part is a subpart that constructs an assembly part.

4.Dotted lines on the Figures indicate assembly parts.

1."注記"欄の記号説明

1) "*"印.....前回のパーツブックに比較して今回変更された部品を意味します。

変更内容は、"変更情報リスト"を参照してください。

2) "#01".....ページ下の"注記"の説明を参照してください。

2.数量欄の数字は、個数を表し、0.1、2.5等の数値は、長さ（単位メートル）を表します。

3.数量欄の（ ）は、組部品を構成している子部品であることを意味します。

4.イラストページの-----枠は、組構成であることを意味します。

NUMERICAL INDEX OF PARTS

PART NO	PAGE	REF NO.	PART NO	PAGE	REF NO.	PART NO	PAGE	REF NO.
40021422	6	21	B1112057U00	32	9	B129605700A	2	38
40021423	6	8	B1112158400	34	9	B12970570A0	2	40
40032430	20	47	B1113057200	32	20	B129905700A	2	41
40032438	18	35	B1113057300	32	30	B1301158000	6	35
A3222958000	24	54	B1113057F00	28	20	B1302158000	6	36
B1103051000	2	3	B1113057H00	28	30	B1303158000	6	41
B1104051000	2	6	B1113057K00	28	40	B13031580A0	6	40
B1109057200	32	17	B1113057L00	30	10	B1304012A00	10	9
B1109057300	32	27	B1113057M00	30	20	B1304012A00	14	37
B1109057F00	28	17	B1113057N00	2	10	B1305055000A	6	42
B1109057H00	28	27	B1113057N00	28	10	B1306158000A	8	61
B1109057K00	28	37	B1113057Q00	30	30	B1307055000	6	45
B1109057L00	30	7	B1113057S00	30	40	B1307057000	8	55
B1109057M00	30	17	B1113057U00	32	10	B1308055000	8	46
B1109057N00	2	4	B1113158400	34	10	B1308057000	8	56
B1109057N00	28	7	B1114517000	2	11	B1309055000	8	47
B1109057Q00	30	27	B1131057000	2	12	B1310055000	8	48
B1109057S00	30	37	B1131158000	2	14	B1311055000	8	50
B1109057U00	32	7	B1150158000	2	16	B1314055000	8	49
B11091534F0	34	1	B1152051000	2	17	B1314158000A	8	57
B11091582F0	32	11	B1155053000	2	19	B1315158000	6	43
B11091583F0	32	21	B1156115000	2	20	B14010572AB	32	12
B1109158400	34	7	B12020510A0	6	9	B14010573AB	32	22
B1109158FF0	28	11	B1203051000	2	37	B1401057FAB	28	12
B1109158HF0	28	21	B1203051000	6	11	B1401057HAB	28	22
B1109158KF0	28	31	B1203158AA0	6	13	B1401057KAB	28	32
B1109158LF0	30	1	B1203158BA0	6	15	B1401057LAB	30	2
B1109158MF0	30	11	B1204051000	6	25	B1401057MAB	30	12
B1109158NF0	28	1	B1204051000	10	4	B1401057N0B	10	1
B1109158QF0	30	21	B12100510A0	6	24	B1401057NAB	28	2
B1109158SF0	30	31	B1214019000	6	52	B1401057QAB	30	22
B1109158UF0	32	1	B1214019000	8	52	B1401057SAB	30	32
B11100570A0	2	8	B12160570A0	6	18	B1401057UAB	32	2
B1112057200	32	19	B1218012000	18	11	B14011584AB	34	2
B1112057300	32	29	B1226552000	14	15	B1408057000	6	28
B1112057F00	28	19	B122715800A	6	32	B14110570A0	10	2
B1112057H00	28	29	B1233012000	6	33	B1412051000	10	11
B1112057K00	28	39	B1290057A00	2	22	B14201580A0	10	5
B1112057L00	30	9	B1290057B00	2	23	B1422158000	10	10
B1112057M00	30	19	B129115800A	2	24	B14231580A0	10	15
B1112057N00	2	9	B129205700A	2	26	B1425051000	10	18
B1112057N00	26	4	B12930570B0	2	28	B1426051000	10	19
B1112057N00	28	9	B1293057AA0	2	29	B1426057000	10	21
B1112057Q00	30	29	B12940570A0	2	32	B14270570A0	10	22
B1112057S00	30	39	B1295057000	2	35	B1428057000	10	25

NUMERICAL INDEX OF PARTS

PART NO	PAGE	REF NO.	PART NO	PAGE	REF NO.	PART NO	PAGE	REF NO.
B1429158000	10	6	B1525057F00	28	16	B1644158000	14	41
B1430158000	10	8	B1525057H00	28	26	B1645158000	14	34
B14311580A0	10	12	B1525057K00	28	36	B1646158000	14	42
B1432158000	10	62	B1525057L00	30	6	B1647158000	16	47
B1432158000	12	62	B1525057M00	30	16	B1648158000	16	48
B1434158000	2	43	B1525057N00	12	59	B1650158000	14	44
B14500570A0	6	29	B1525057N00	28	6	B1651158000	16	45
B1451057000	10	29	B1525057Q00	30	26	B1800057000	18	1
B1452057000	10	30	B1525057S00	30	36	B1801158000	18	3
B1453057000	10	31	B1525057U00	32	6	B1802057000	18	4
B14540530AB	10	35	B1525158400	34	6	B1802057C00	20	49
B14540570A0	10	33	B1601158000	22	1	B1802057D00	20	50
B1455057000	10	41	B16021580A0	14	1	B1804057B00	18	6
B1456057000	10	39	B1603158000	14	2	B1804057C00	20	51
B1457057000	10	32	B1605051000	14	5	B1804057D00	20	52
B1458057000	10	38	B1612158000	16	49	B18081580A0	18	8
B14590570A0	10	42	B1613057200	32	18	B1810051000	18	14
B14600570A0	12	46	B1613057300	32	28	B1811051000	18	15
B1466158000	12	45	B1613057F00	28	18	B1814158000	18	19
B14701582B0	32	14	B1613057H00	28	28	B1815051000	18	21
B14701583B0	32	24	B1613057K00	28	38	B18160510A0	18	40
B14701584B0	34	4	B1613057L00	30	8	B18160510B0	18	39
B1470158FB0	28	14	B1613057M00	30	18	B18170510A0	18	43
B1470158HB0	28	24	B1613057N00	14	9	B1818051A00	20	46
B1470158KB0	28	34	B1613057N00	28	8	B1820057000	18	23
B1470158LB0	30	4	B1613057Q00	30	28	B18210510A0	18	24
B1470158MB0	30	14	B1613057S00	30	38	B1822057000	18	27
B1470158NB0	12	48	B1613057U00	32	8	B18231580A0	18	28
B1470158NB0	28	4	B1613158400	34	8	B1824057000	18	32
B1470158QB0	30	24	B1614158000	14	11	B1825158000	18	31
B1470158SB0	30	34	B16151580A0	14	12	B18400510A0	18	37
B1470158UB0	32	4	B16161580A0	14	3	B1905057000	6	2
B1501057000	12	50	B16181580A0	14	16	B19050570B0	6	1
B1502051000	12	51	B16201580A0	14	20	B19060510A0	6	3
B1503051A00	12	55	B16201580B0	14	19	B19070570A0	6	5
B1503057000	12	56	B16211580A0	14	24	B2510158000	4	55
B15040570A0	12	53	B1622158000	14	25	B3101158000	2	1
B150515800A	22	5	B1625158000	14	27	B310115800A	32	31
B150515800B	22	6	B1626158000	14	26	B310115800A	34	11
B150515800C	22	7	B1629158000	14	22	B31210570B0	22	17
B15051580A0	22	4	B1636158000	14	29	B3122057000	22	19
B15071580A0	22	16	B1637158000	14	31	B3123057000	22	22
B15075620A0	12	57	B1639158000	14	32	B3125012000	22	27
B1525057200	32	16	B1640158000	14	36	B3126012000	22	28
B1525057300	32	26	B16411580A0	14	33	B312715800A	24	72

NUMERICAL INDEX OF PARTS

PART NO	PAGE	REF NO.	PART NO	PAGE	REF NO.	PART NO	PAGE	REF NO.
B312715800B	22	3	CM301200002	4	70	SD0801601SP	22	14
B3128057B00	22	24	CQ202000000	10	43	SD1404251CP	4	61
B3129053000	22	30	CQ202000000	16	53	SK3482500SC	24	69
B3131057000	22	38	CQ252000000	6	10	SM8080812TP	6	38
B3132012000	22	29	CQ252000000	18	29	SS2090510SP	22	37
B3134057000	22	20	CQ303000000	6	19	SS2090520SL	22	32
B3138057000	22	33	CQ303000000	10	36	SS2090710TP	2	39
B3139057000	22	34	CQ303000000	18	9	SS2110920TP	2	27
B3140057000	22	31	CQ505000000	14	18	SS2111010TP	2	5
B3141057000	22	36	CS0640866SB	4	66	SS3090610SP	2	13
B3143057000	22	25	CS0951111SH	14	39	SS5080710SP	14	6
B3144057000	22	40	CS1401011SM	18	12	SS6080710SP	4	53
B3201158000	22	43	CS140101BSP	22	2	SS6081010TP	22	9
B32011580A0	22	42	D1109057A00	26	9	SS6081810SP	14	7
B3202158000A	22	44	D1113057A00	26	5	SS6090630SP	2	7
B3203158000	24	58	D1401057A0BA	26	1	SS6091210TP	12	60
B3204232000	24	49	D1401158A00	26	12	SS6111140SP	10	44
B3205232000	24	50	D1470158AB0	26	6	SS6151440SP	22	8
B3206232000	24	52	D1525057A00	26	8	SS6151920SP	18	2
B3207158000A	24	46	D1602158AA0	26	11	SS6153040SP	18	18
B3208158000	4	46	D1613158A00	26	10	SS6580612TP	14	10
B32081580A0	4	45	MDD100B2500	10	27	SS6661110SP	2	31
B3208232000	24	53	MDD100B2500	26	3	SS6661110SP	14	28
B3210158000	24	55	NS6080210SP	14	8	SS6661310SP	2	30
B3211210000	24	45	NS6080210SP	22	39	SS7080510TP	18	33
B3212210000	24	47	NS6090310SP	12	61	SS7090520SP	22	41
B3214047000	4	51	NS6110310SP	4	54	SS7090540TP	2	15
B3215232000	24	60	NS6110310SP	24	57	SS7090710SP	2	56
B3216047000	4	50	NS6110420SP	18	26	SS7090710SP	4	56
B3218232000	4	49	NS6150430SP	10	40	SS7090910SP	12	54
B3219232000	4	47	NS6150430SP	14	23	SS7090910TP	12	49
B3401057000	4	57	NS6150430SP	22	10	SS7090910TP	26	7
B3403057000	4	58	NS6660430SP	10	37	SS7090910TP	28	35
B3404057000	4	60	NS6680410SN	16	46	SS7090910TP	30	35
B3405057000	4	62	RE0400000K0	14	30	SS7090910TP	32	25
B3406057000	4	64	RE0500000K0	6	23	SS7090910TP	34	5
B3408057000	4	65	RE0500711KP	16	52	SS7110510SP	24	71
B3409057000	4	68	RE0700000K0	10	17	SS7110610SM	2	21
B8230158000	24	64	RE0700000K0	14	43	SS7110720SP	10	3
B82301580A0	24	63	SD0470281SP	22	21	SS7110910SP	4	52
B8231158000	24	65	SD0630241SD	2	18	SS7110910SP	22	18
B8232158000	24	66	SD0701301SP	14	21	SS7111110TP	22	23
B8233158000	24	67	SD0720193SP	24	56	SS7111120SP	4	44
B9117057000	18	36	SD0800431SP	4	59	SS7111710SH	12	47
CM300200003	4	69	SD0800481SP	22	15	SS7111810SP	24	59

NUMERICAL INDEX OF PARTS

PART NO	PAGE	REF NO.	PART NO	PAGE	REF NO.
SS7120410TP	14	35	SS9151440CP	6	7
SS7151610SP	10	24	SS9151440CP	10	16
SS7161040SP	2	42	SS9151440CP	14	17
SS7620610SP	10	28	SS9152130CP	18	10
SS7620610SP	26	2	SS9201813CP	6	34
SS7620610SP	28	33	SS9660810SP	8	54
SS7620610SP	30	33	SS9660810SP	18	42
SS7620610SP	32	23	SS9660910SP	8	53
SS7620610SP	34	3	SS9660910SP	18	41
SS7762840SP	18	16	SS9661610CP	10	34
SS8090410SP	22	35	WP0350516SD	22	13
SS8090540SP	6	44	WP0371016SD	18	34
SS8110510SP	4	67	WP0501016SC	24	70
SS8110510SP	16	51	WP0621026SP	22	12
SS8110510SP	24	48	WP0753016SZ	18	17
SS8110750SP	4	63			
SS8111251SP	16	50			
SS8150510TP	14	40			
SS8150580SP	18	38			
SS8150710SP	18	30			
SS8150710SP	24	62			
SS8150830SP	20	48			
SS8151150SP	24	61			
SS8151230SP	8	60			
SS8151550SP	6	59			
SS8151550SP	8	59			
SS8151550SP	14	38			
SS8151780SP	8	58			
SS8152030SP	6	20			
SS8152030SP	12	52			
SS8152030SP	18	7			
SS8620610TP	8	51			
SS8660530TP	6	27			
SS8660530TP	20	45			
SS8660610TP	2	34			
SS8660610TP	6	31			
SS8660670SP	2	33			
SS8660670SP	6	30			
SS8660670SP	18	44			
SS8660810TP	6	26			
SS8661040TP	14	4			
SS8681650TP	6	37			
SS8701042TP	6	22			
SS9111010SP	10	26			
SS9151440CP	2	36			