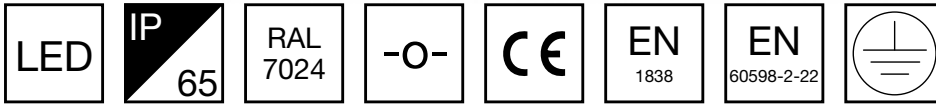


SMOOTH: ZONE



Teknoware Smooth is a small and elegant yet extremely durable emergency light optimised for outdoor use. The Smooth is a combination light, which you can use both as an emergency light and as a 300 lumen general light depending on the model. Because of the stylish design, the luminaire blends seamlessly into the architecture of the building. The Smooth always consists of two units: the luminaire and a separated indoor electronic unit. The Smooth includes a 5-metre fire-proof installation cable between the units. The luminaire is designed for surface mounting on a wall. The Smooth has an impact-resistant cast aluminium casing (IK10), and it is dust- and waterproof (IP65 for the visible part of the luminaire). The standard colour of the luminaire is graphite grey (RAL 7024), other colours are available on request (e.g. white RAL 9003).

The Smooth Zone is a compact emergency light designed to illuminate open areas efficiently. The luminaire provides a broad, even pattern.

for open areas

installation height: up to 4 metres, depending on model

self-contained or centrally supplied, depending on model

IP class: IP65 (for the visible part of the luminaire), IP20 (for the separate electronic unit)

installation: surface mounting on a wall (also requires installation of the separate electronic unit)

includes a 5-metre fire-proof installation cable between the units

material: cast aluminium (IK10)

We reserve the rights to make modifications without notice.

Copyright © 2021 Teknoware. All rights reserved.

Date: January 04, 2021 | Source:

www.teknoware.com/en/emergency-lighting/emergency-lights/emergency-light-product-families/smooth-zone



Teknoware Oy | P.O. Box 19, 15101 Lahti | Ilmarisentie 8, 15200 Lahti Finland

Tel +358 3 883 020 | VAT-number FI01494751 | teknoware.com | emexit@teknoware.com

colour: graphite grey (RAL 7024), other RAL-colours on request

The product codes starting with letter Y include an individually packed luminaire. The product codes starting with TW include the luminaire only.

SELF-CONTAINED ESCAP EMERGENCY LIGHTS WITH SUPER CAPACITOR AND SELF-TESTING

Product Code	Nominal Supply Voltage	Feature	Backup (h)	Form
TWSA892WM	220-240 V, 50/60 Hz AC	Escap, Lumi Test	1	

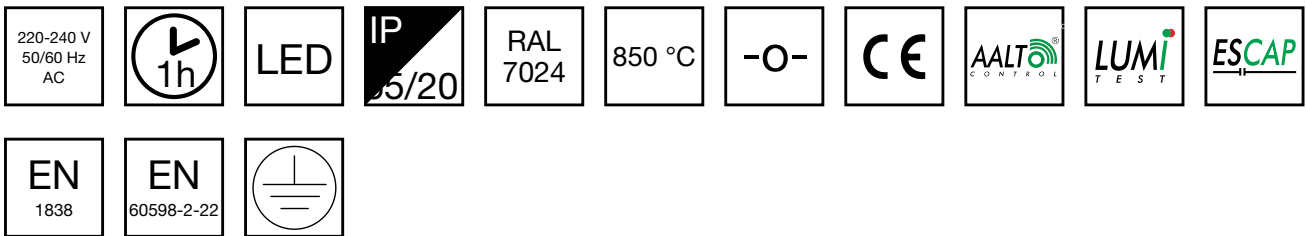
SELF-CONTAINED ESCAP EMERGENCY LIGHTS WITH SUPER CAPACITOR AND WIRELESS CENTRAL MONITORING

Product Code	Nominal Supply Voltage	Feature	Backup (h)
TWSA892WA	220-240 V, 50/60 Hz AC	Aalto Control, Escap, Lumi Test	1

ADDRESSABLE 230 V CENTRALLY SUPPLIED EMERGENCY LIGHTS

Product Code	Nominal Supply Voltage	Feature
TWTA851WK	220-240 V, 50/60 Hz AC,DC	Intelligent Controller, Tapsa Control

SMOOTH ZONE EMERGENCY LIGHT TWSA892WA



Self-contained Escap emergency light with 1 h super capacitor and wireless central monitoring

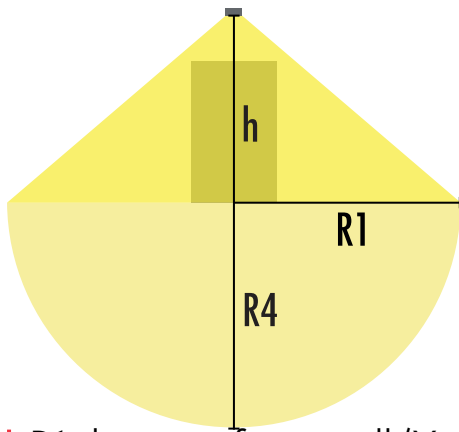
Teknoware Smooth is a small and elegant yet extremely durable emergency light optimised for outdoor use. The Smooth is a combination light, which you can use both as an emergency light and as a 300 lumen general light. Because of the stylish design, the luminaire blends seamlessly into the architecture of the building. The Smooth always consists of two units: the luminaire and a separated indoor electronic unit. The Smooth includes a 5-metre fire-proof installation cable between the units. The luminaire is designed for surface mounting on a wall. The Smooth has an impact-resistant cast aluminium casing (IK10), and it is dust- and waterproof (IP65 for the visible part of the luminaire). The standard colour of the luminaire is graphite grey (RAL 7024), other colours are available on request (e.g. white RAL 9003).

The Smooth Zone is a compact emergency light designed to illuminate open areas efficiently. The luminaire provides a broad, even pattern.

Product Code	TWSA892WA
Feature	Aalto Control, Escap, Lumi Test
Mounting (standard)	wall
Customs Code	94056080
GTIN Code	6438045025995
ETIM Product Class	EC001957
Length	100 mm
Width	60 mm
Height	110 mm
Weight	1.4 kg
Backup	1 h
Max Input Power VA	11 VA / 3 VA
Nominal Supply Voltage	220-240 V, 50/60 Hz AC
Protection Class	I
IP Class	IP65/IP20
Temperature Range Min - Max	-25...+35 °C
Glow Wire Test of Plastic Materials	850 °C
Light Source	LED
Body Material	cast aluminium
Colour	RAL7024
Electrical Installation	3/4 x 2,5 mm ²
Luminous Flux	32 lm

Wall mounting

Tables of 1 lux and 0,5 lux, under the Emergency Light.
 Level of measurement 0,02 m, measurement result with battery operation.



R1 distance from wall (X axis)
R4 distance from wall (Y axis)

TWSA892WA

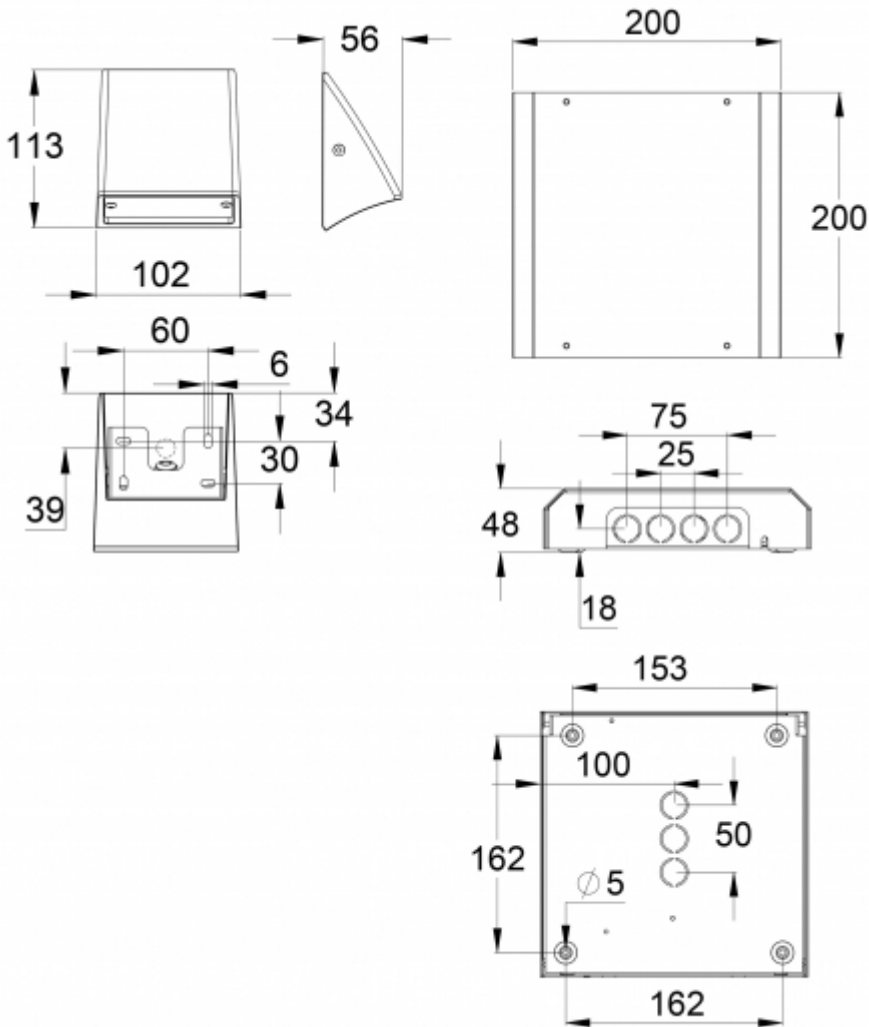
Mounting height (m)	Below the light lux	R1 (m)	R4 (m)	R1 (m)	R4 (m)
		1 lux	1 lux	0,5 lux	0,5 lux
2,5	9	1.4	3	1.6	3.2
3	6	1.5	3.1	1.8	3.5

OPTIONAL ACCESSORIES:

OPTIONAL MOUNTING ACCESSORIES FOR EMERGENCY LIGHTS



Product Code	Product Name	Compatible Product Groups
XWTA810	Smooth surface mounting bracket XWTA810	Smooth: Zone, Smooth: Line

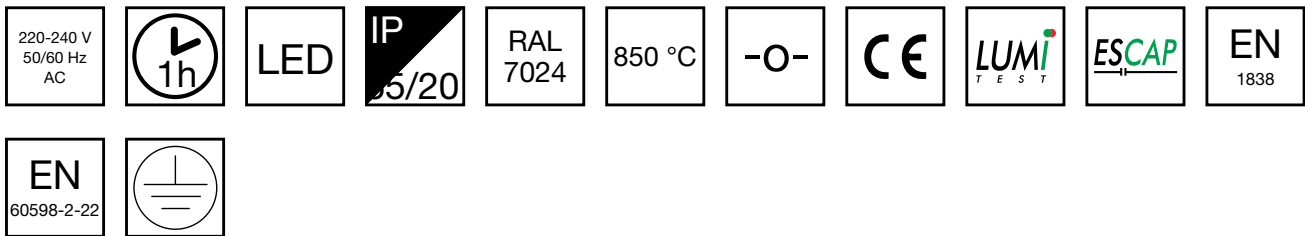
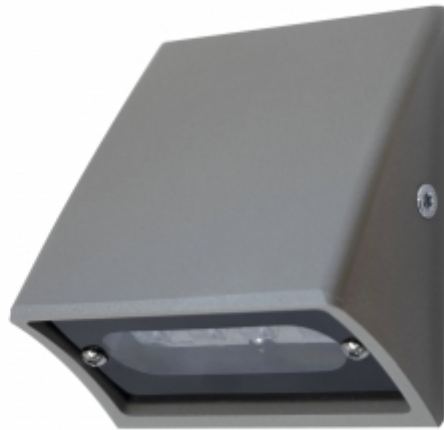


We reserve the rights to make modifications without notice.
 Copyright © 2021 Teknoware. All rights reserved.
 Date: January 04, 2021 | Source:
www.teknoware.com/en/emergency-lighting/smooth-zone-emergency-light-twsa892wa

Teknoware Oy | P.O. Box 19, 15101 Lahti | Ilmarisentie 8, 15200 Lahti Finland
 Tel +358 3 883 020 | VAT-number FI01494751 | teknoware.com | emexit@teknoware.com



SMOOTH ZONE EMERGENCY LIGHT TWSA892WM



Self-contained Escap emergency light with 1 h super capacitor and Lumi Test self-testing

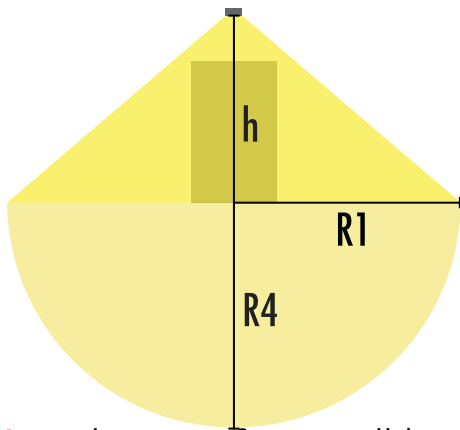
Teknoware Smooth is a small and elegant yet extremely durable emergency light optimised for outdoor use. The Smooth is a combination light, which you can use both as an emergency light and as a 300 lumen general light. Because of the stylish design, the luminaire blends seamlessly into the architecture of the building. The Smooth always consists of two units: the luminaire and a separated indoor electronic unit. The Smooth includes a 5-metre fire-proof installation cable between the units. The luminaire is designed for surface mounting on a wall. The Smooth has an impact-resistant cast aluminium casing (IK10), and it is dust- and waterproof (IP65 for the visible part of the luminaire). The standard colour of the luminaire is graphite grey (RAL 7024), other colours are available on request (e.g. white RAL 9003).

The Smooth Zone is a compact emergency light designed to illuminate open areas efficiently. The luminaire provides a broad, even pattern.

Product Code	TWSA892WM
Feature	Escap, Lumi Test
Mounting (standard)	wall
Customs Code	94056080
GTIN Code	6438045026008
ETIM Product Class	EC001957
Length	100 mm
Width	60 mm
Height	110 mm
Weight	1.4 kg
Backup	1 h
Max Input Power VA	11 VA / 3 VA
Nominal Supply Voltage	220-240 V, 50/60 Hz AC
Protection Class	I
IP Class	IP65/IP20
Temperature Range Min - Max	-25...+35 °C
Glow Wire Test of Plastic Materials	850 °C
Light Source	LED
Body Material	cast aluminium
Colour	RAL7024
Electrical Installation	3/4 x 2,5 mm ²
Luminous Flux	32 lm

Wall mounting

Tables of 1 lux and 0,5 lux, under the Emergency Light.
 Level of measurement 0,02 m, measurement result with battery operation.



R1 distance from wall (X axis)
 R4 distance from wall (Y axis)

TWSA892WM

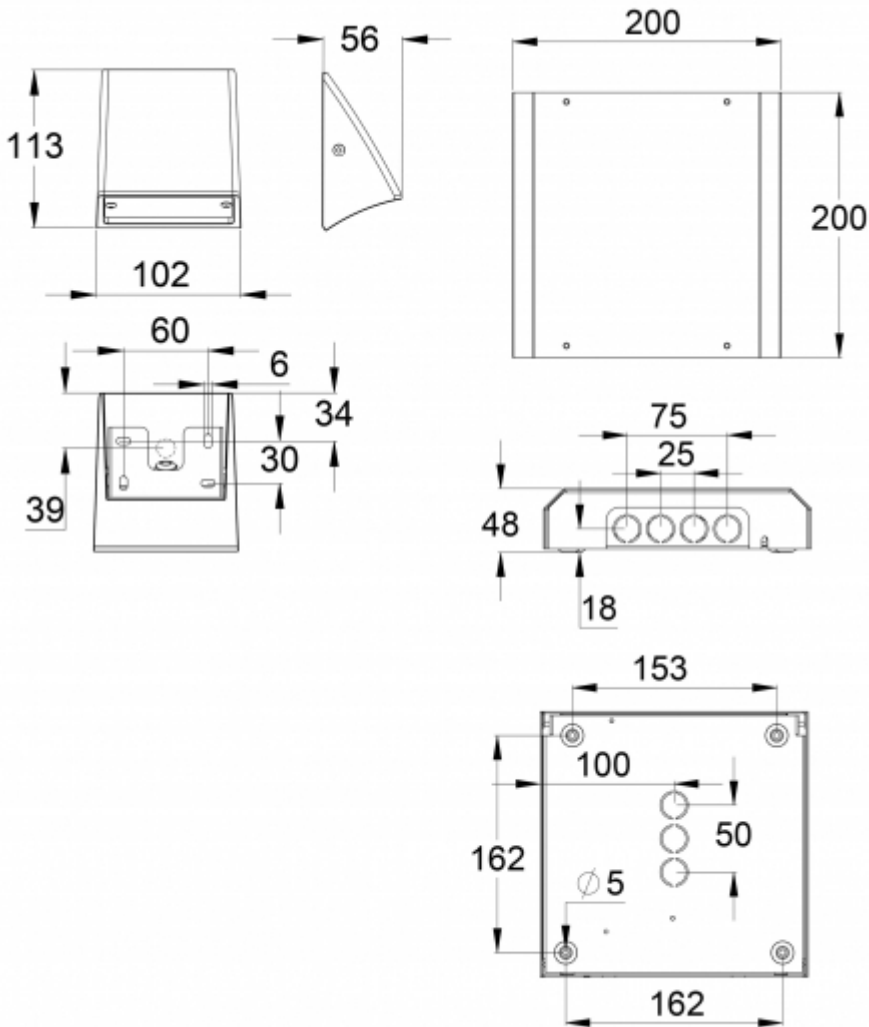
Mounting height (m)	Below the light lux	R1 (m)	R4 (m)	R1 (m)	R4 (m)
		1 lux	1 lux	0,5 lux	0,5 lux
2,5	9	1.4	3	1.6	3.2
3	6	1.5	3.1	1.8	3.5

OPTIONAL ACCESSORIES:

OPTIONAL MOUNTING ACCESSORIES FOR EMERGENCY LIGHTS



Product Code	Product Name	Compatible Product Groups
XWTA810	Smooth surface mounting bracket XWTA810	Smooth: Zone, Smooth: Line

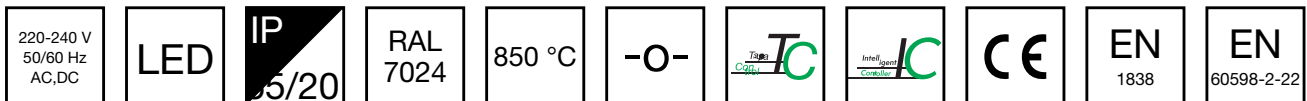


We reserve the rights to make modifications without notice.
 Copyright © 2021 Teknoware. All rights reserved.
 Date: January 04, 2021 | Source:
www.teknoware.com/en/emergency-lighting/smooth-zone-emergency-light-twsa892wm

Teknoware Oy | P.O. Box 19, 15101 Lahti | Ilmarisentie 8, 15200 Lahti Finland
 Tel +358 3 883 020 | VAT-number FI01494751 | teknoware.com | emexit@teknoware.com



SMOOTH ZONE EMERGENCY LIGHT TWTA851WK



Addressable 230 V centrally supplied emergency light

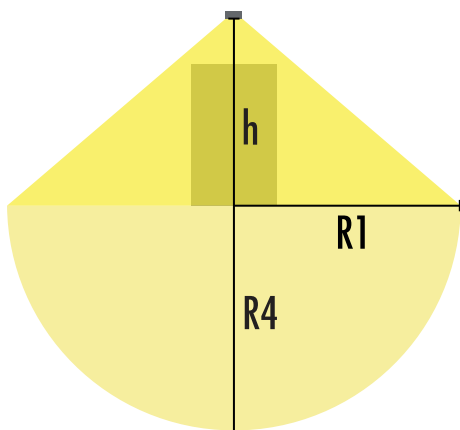
Teknoware Smooth is a small and elegant yet extremely durable emergency light optimised for outdoor use. Because of the stylish design, the luminaire blends seamlessly into the architecture of the building. The Smooth always consists of two units: the luminaire and a separated indoor electronic unit. The Smooth includes a 5-metre fire-proof installation cable between the units. The luminaire is designed for surface mounting on a wall. The Smooth has an impact-resistant cast aluminium casing (IK10), and it is dust- and waterproof (IP65 for the visible part of the luminaire). The standard colour of the luminaire is graphite grey (RAL 7024), other colours are available on request (e.g. white RAL 9003).

The Smooth Zone is a compact emergency light designed to illuminate open areas efficiently. The luminaire provides a broad, even pattern.

Product Code	TWTA851WK
Feature	Intelligent Controller, Tapsa Control
Mounting (standard)	wall
Customs Code	94056080
GTIN Code	6438045026015
ETIM Product Class	EC001957
Length	100 mm
Width	60 mm
Height	110 mm
Weight	0.8 kg
Max Input Power VA	10 VA
Max Input Power W	5,5 W
Nominal Supply Voltage	220-240 V, 50/60 Hz AC,DC
Protection Class	I
IP Class	IP65/IP20
Temperature Range Min - Max	-30...+50 °C
Glow Wire Test of Plastic Materials	850 °C
Light Source	LED
Body Material	cast aluminium
Colour	RAL7024
Electrical Installation	3 x 2,5 mm ²
Luminous Flux	201 lm

Wall mounting

Tables of 1 lux and 0,5 lux, under the Emergency Light.
 Level of measurement 0,02 m, measurement result with battery operation.



R1 distance from wall (X axis)
R4 distance from wall (Y axis)

TWTA851WK

Mounting height (m)	Below the light lux	R1 (m)	R4 (m)	R1 (m)	R4 (m)
		1 lux	1 lux	0,5 lux	0,5 lux
2,5	13	2.4	4.5	2.5	6
3	9	2.6	5	2.8	6.5
4	5	3	5.2	3.4	7

OPTIONAL ACCESSORIES:

OPTIONAL MOUNTING ACCESSORIES FOR EMERGENCY LIGHTS

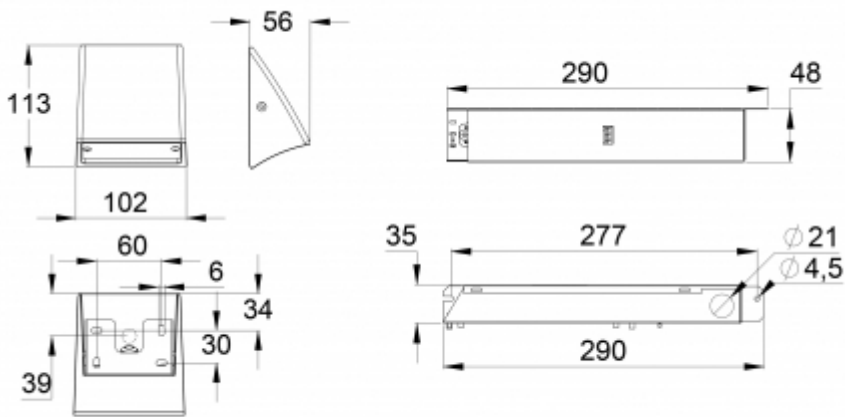
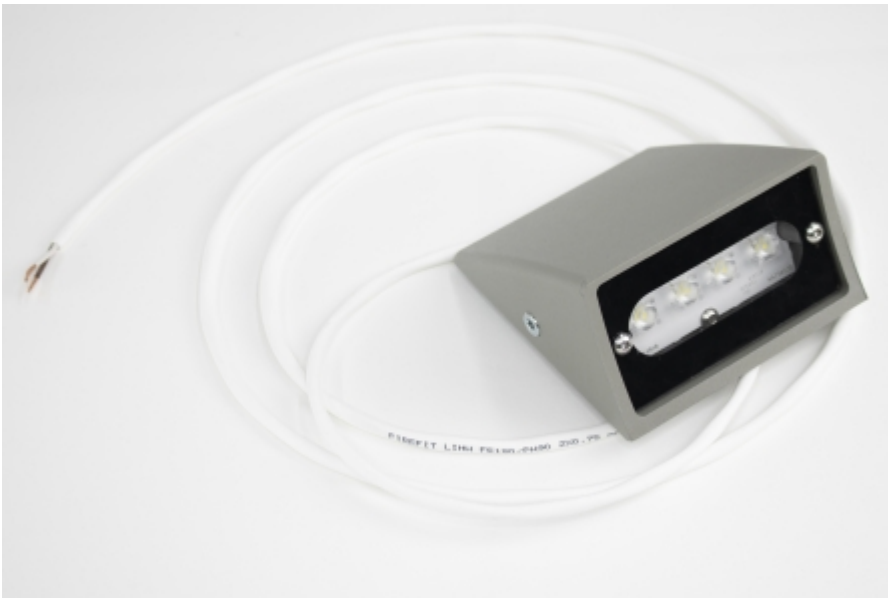


Product Code	Product Name	Compatible Product Groups
XWTA810	Smooth surface mounting bracket XWTA810	Smooth: Zone, Smooth: Line

We reserve the rights to make modifications without notice.
Copyright © 2021 Teknoware. All rights reserved.
Date: January 04, 2021 | Source:
www.teknoware.com/en/emergency-lighting/smooth-zone-emergency-light-twta851wk

Teknoware Oy | P.O. Box 19, 15101 Lahti | Ilmarisentie 8, 15200 Lahti Finland
Tel +358 3 883 020 | VAT-number FI01494751 | teknoware.com | emexit@teknoware.com





We reserve the rights to make modifications without notice.
 Copyright © 2021 Teknoware. All rights reserved.
 Date: January 04, 2021 | Source:
www.teknoware.com/en/emergency-lighting/smooth-zone-emergency-light-twta851wk

Teknoware Oy | P.O. Box 19, 15101 Lahti | Ilmarisentie 8, 15200 Lahti Finland
 Tel +358 3 883 020 | VAT-number FI01494751 | teknoware.com | emexit@teknoware.com

