

MODEL : DU-580

List No : 0626-01

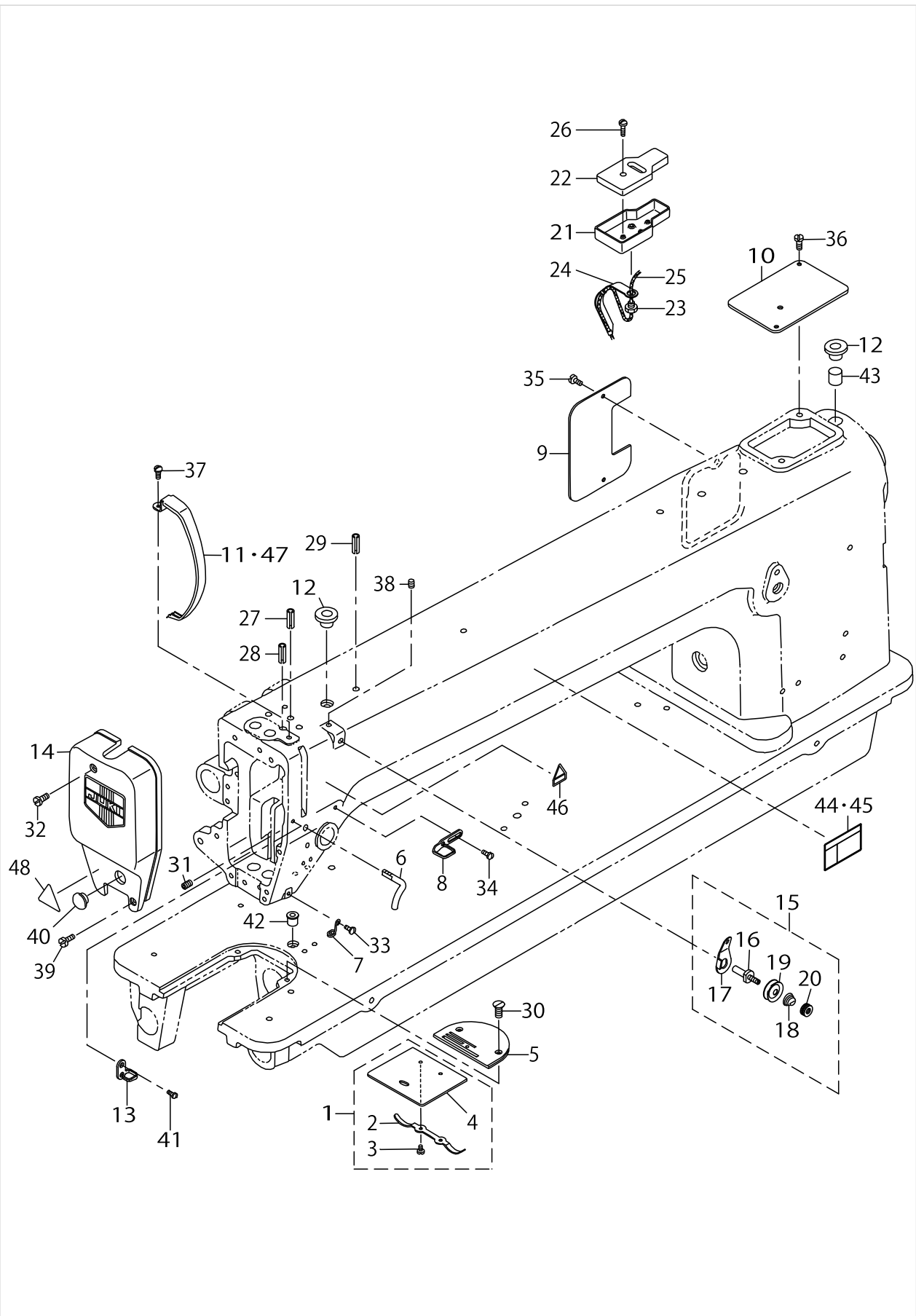
PARTS LIST

Published:05/12/2017

CONTENTS

FRAME & MISCELLANEOUS COVER COMPONENTS	1
MAIN SHAFT & ARM SHAFT COMPONENTS	5
NEEDLE BAR & THREAD TAKE-UP LEVER COMPONENTS	7
PRESSER BAR COMPONENTS	9
FEED MECHANISM COMPONENTS.....	11
HOOK DRIVING SHAFT COMPONENTS	15
THREAD TENSION COMPONENTS	17
UPPER FEED MECHANISM COMPONENTS	19
KNEE LIFTER & OIL PAN COMPONENTS	23
BEL COVER & BOBBIN WINDER COMPONENTS	25
THREAD STAND COMPONENTS.....	27
TABLE COMPONENTS	29
ACCESSORIES PARTS COMPONENTS	31
LIST FOR INFORMATION OF CHANGE (1)	33
LIST FOR INFORMATION OF CHANGE (2)	34
HOW TO MAKE USE OF THIS PARTS LIST	35

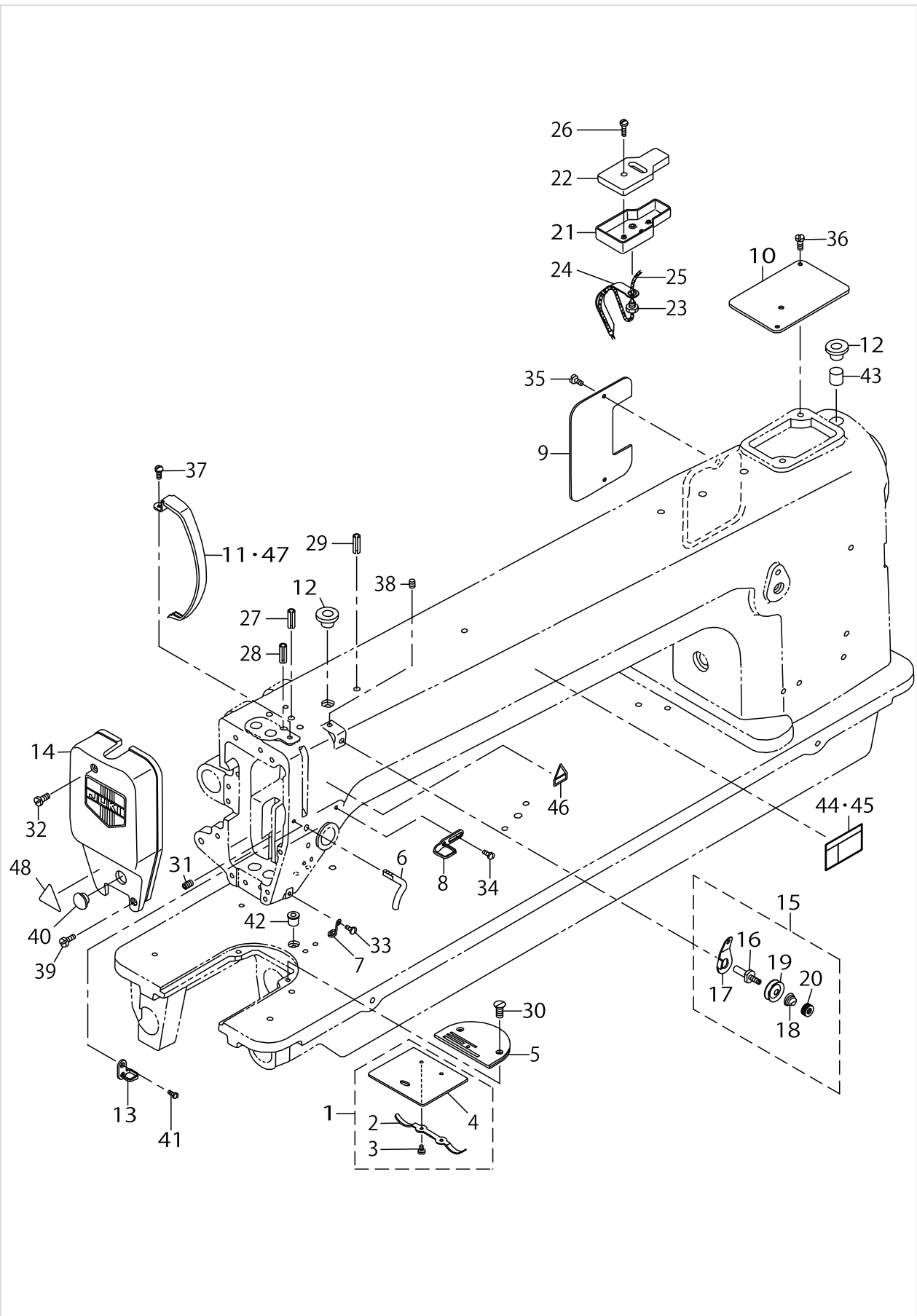
FRAME & MISCELLANEOUS COVER COMPONENTS



FRAME & MISCELLANEOUS COVER COMPONENTS

No.	Supply Code	Parts No.	Replacement	Parts name	Remarks	Choice	Step	Level	Cons	Qty	Rep. QTY
1		B11100120A0		BED SLIDE ASM.						1	
2		B1111012000		BED SLIDE SPRING				*		1	
3		SS6060210SP		SCREW 3/32-56 L=1.9				*		2	
4		B1110012000		SLIDE PLATE				*		1	
5		B1105141H00		THROAT PLATED=2.6						1	
6		B1130141H00		THREAD GUIDE						1	
7		B1129141H00		THREAD GUIDE						1	
8		B1126201000		FRAME THREAD GUIDE A						1	
9	D	B1118141H00		SIDE PLATE						1	
10		B1150141H00		TOP COVER						1	
11		B1123141H00		THREAD TAKE-UP LEVER COVER						1	
12		B1156115000		RUBBER PLUG						2	
13		B1131141H00		FRAME THREAD GUIDE, B						1	
14		B1121141HA0B		FACE PLATE ASM.						1	
15		21221452		TENSION CONTROLLER ASM. NO.1						1	
16		D3161555B00		FIRST TENSION POST				*		1	
17		D3162555B00		THREAD GUIDE				*		1	
18		D3168555H0B		TENSION SPRING NO.1				*		1	
19	R	B3214047000	22945802	BOBBIN WINDER TENSION DISC				*		2	1.00
20		B3216047000		BOBBIN WINDER TENSION NUT				*		1	
21		B3503201000		OIL RESERVOIR						1	
22		B3504201000		OIL FELT						1	
23		B3515201000		CLAMP SLEEVE NUT						1	
24	D	B3527012000		HOLDER						1	
25		CQ202000000		OIL WICK						.3	
26		SS7112420SP		SCREW 11/64-40 L=24						1	
27		PS0350102KR		SPRING PIN 3.5X10						1	
28		PS0350102KR		SPRING PIN 3.5X10						1	
29		PS0350102KR		SPRING PIN 3.5X10						1	
30		SS2110920TP		SCREW 11/64-40 L=8.5						2	
31		SS8111251SP		SCREW 11/64-40 L=12.0						1	
32		SS7112420SP		SCREW 11/64-40 L=24						1	
33		SS7090620TP		SCREW 9/64-40 L=6.1						1	
34		SS5090610SP		SCREW 9/64-40 L=6						1	
35		SS7110710SP		SCREW 11/64-40 L=7						1	
36		SS7110710SP		SCREW 11/64-40 L=7						2	
37		SS7110510SP		SCREW 11/64-40 L=5						1	
38	R	SS8110510SP	SS8110520TP	SCREW 11/64-40 L=5						1	1.00
39		SS6111610SP		SCREW 11/64-40 L=16						1	
40		TA1250406R0		RUBBER PLUG D=12.5 L=4						1	
41	R	SS2090710SP	SS2090710TP	SCREW 9/64-40 L=7						1	1.00
42	D	B11570090A0		OIL CUP ASM.						1	
43		B3517009000		OIL FELT REAR						1	
44		CM300200101		SAFETY LABEL, 1(SMALL).	FOR JAPAN					1	
45		CM3002001A1		SAFETY LABEL, 3(SMALL).	EXCEPT JAPAN, JE					1	
46		CM3002000B1		LABEL(16)	FOR JAPAN					4	

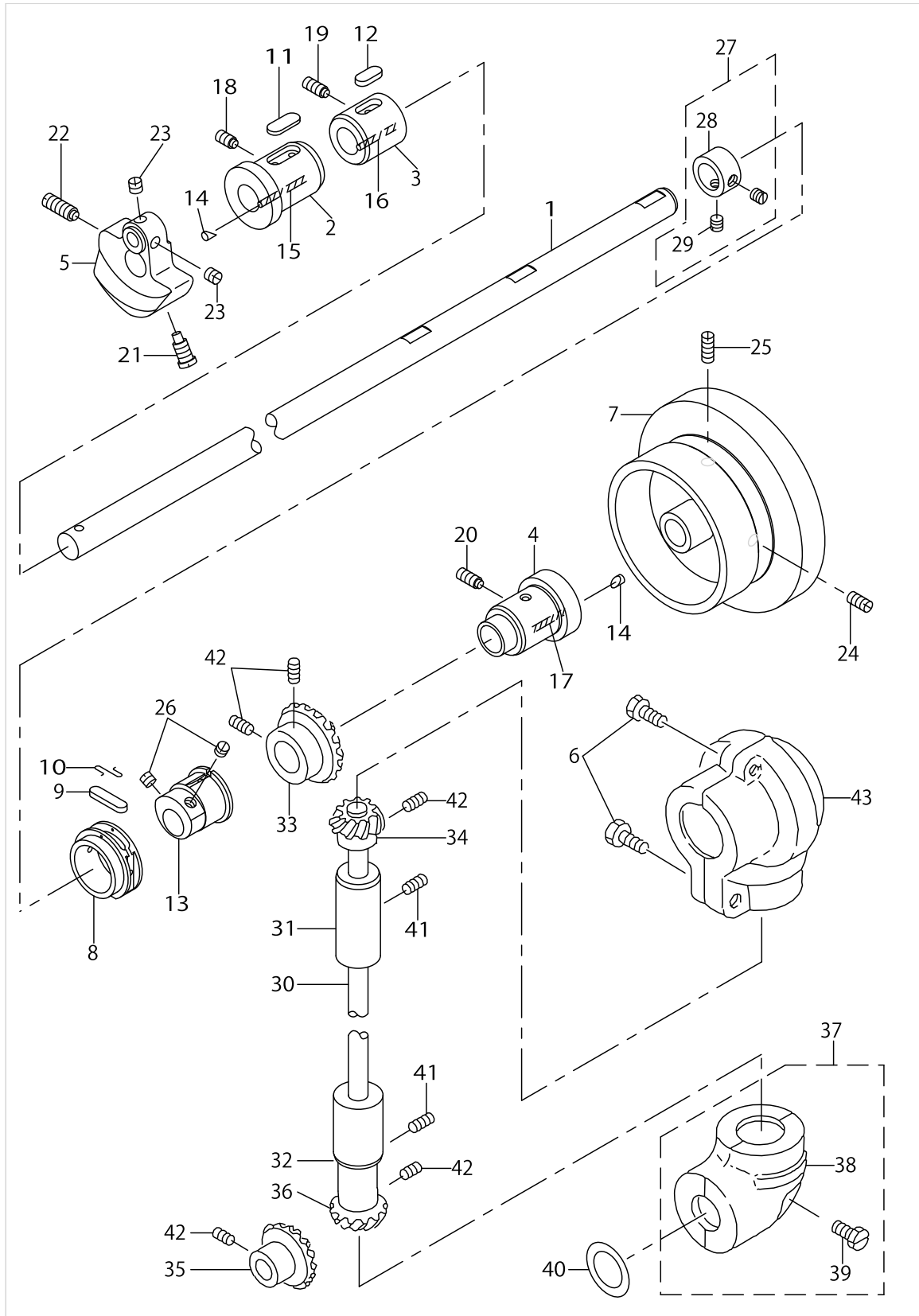
FRAME & MISCELLANEOUS COVER COMPONENTS



FRAME & MISCELLANEOUS COVER COMPONENTS

No.	Supply Code	Parts No.	Replacement	Parts name	Remarks	Choice	Step	Level	Cons	Qty	Rep. QTY
47		11415205		THREAD TAKE-UP LEVER COVER(JE)	FOR JE					1	
48		CM300200001		ATTENTION SEAL(16)	FOR JE					4	

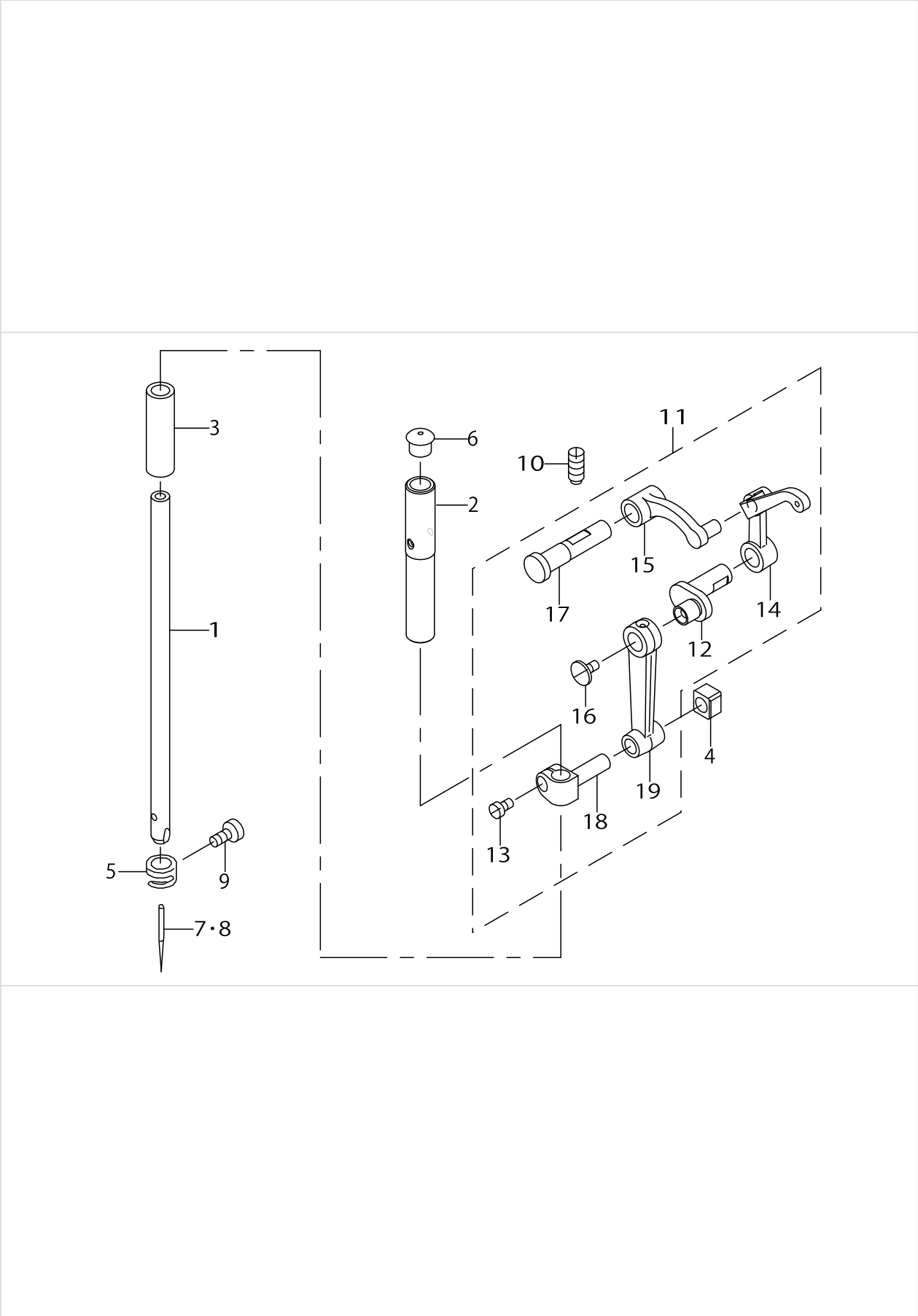
MAIN SHAFT & ARM SHAFT COMPONENTS



MAIN SHAFT & ARM SHAFT COMPONENTS

No.	Supply Code	Parts No.	Replacement	Parts name	Remarks	Choice	Step	Level	Cons	Qty	Rep. QTY
1		21261003		UPPER SHAFT						1	
2		21261102		BUSHING, FRONT						1	
3		21261201		BUSHING, MIDDLE						1	
4		21261300		BUSHING, REAR						1	
5		B1206141H00		COUNTERWEIGHT						1	
6		SS7090920SP		SCREW 9/64-40 L=8.5						2	
7	D	B122714500B		HAND WHEEL						1	
8		B1211226000		ECCENTRIC RETAINER HOUSING						1	
9		B1212012000		OIL FELT						1	
10		B1213012000		FELT RETAINER						1	
11		B1218012000		REAR BUSHING OIL FELT						1	
12		B1702012000		OIL FELT						1	
13		B1211141H00		FEED ECCENTRIC CAM						1	
14		TA0300503R0		PLUG						2	
15		CQ200000000		OIL WICK						.1	
16		CQ200000000		OIL WICK						.1	
17		CQ200000000		OIL WICK						.1	
18	R	SS8151150SP	SS8151150TP	SCREW 15/64-28 L=10.5						1	1.00
19		SS8151550SP		SCREW 15/64-28L=15						1	
20		SS8151550SP		SCREW 15/64-28L=15						1	
21		SS7681750TP		SCREW 9/32-28 L=16.5						1	
22		SS8681950SP		SCREW 9/32-28 L=19						1	
23		SS8660610TP		SCREW 1/4-40 L=6						2	
24		SS8151550SP		SCREW 15/64-28L=15						1	
25		SS8151780SP		SCREW 15/64-28 L=17.0						1	
26	R	SS8150710SP	SS8150710TP	SCREW 15/64-28 L=7						2	1.00
27		22904155		MAIN SHAFT THRU-ST COLLAR ASM.						1	
28	R	22904106	22904155	MAIN SHAFT THRUST COLLAR				*		1	1.00
29		SS8660610TP		SCREW 1/4-40 L=6				*		2	
30		B1301201000		UPRIGHT SHAFT						1	
31	D	B1302271000		UPRIGHT SHAFT BUSHING, UPPER						1	
32		B1303271000		BUSHING, LOWER						1	
33	D	B1305012000		GEAR						1	
34	R	B1306155000	B13061550A0	PINION						1	1.00
35	R	B1307155000	B13071550A0	MITRE GEAR LARGE						1	1.00
36	R	B1308155000	B13081550A0	MITRE GEAR SMALL						1	1.00
37	D	B13091150A0		PINION CASE ASM.						1	
38	R	B1309115000	B13091150A0	GEAR CASE				*		1	1.00
39		SS9181520CP		SCREW 9/32-20 L=15.0				*		1	
40		RO133170100		RUBBER RING						1	
41		SS8151550SP		SCREW 15/64-28L=15						2	
42		SS8660810TP		SCREW 1/4-40 L=8						8	
43	R	B1308241H00	B1305271000	GEAR CASE						1	1.00

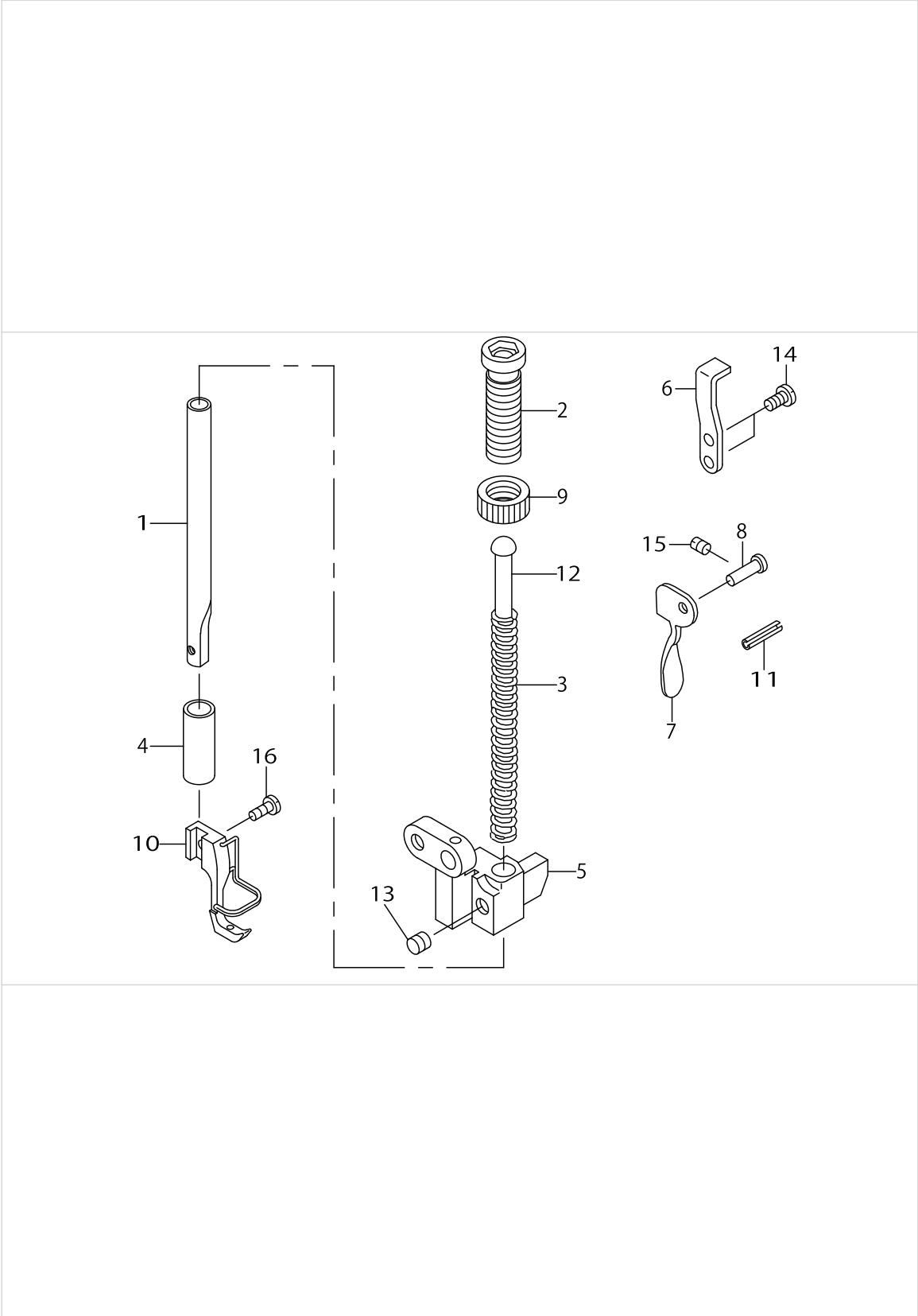
NEEDLE BAR & THREAD TAKE-UP LEVER COMPONENTS



NEEDLE BAR & THREAD TAKE-UP LEVER COMPONENTS

No.	Supply Code	Parts No.	Replacement	Parts name	Remarks	Choice	Step	Level	Cons	Qty	Rep. QTY
1		B1401141H00		NEEDLE BAR						1	
2		22906101		NEEDLE BAR BUSHING, UPPER						1	
3		B1403141H00		NEEDLE BAR BUSHING, LOWER						1	
4		B1414555000		SLIDE BLOCK						1	
5		B1418141H00		NEEDLE BAR THREAD GUIDE						1	
6	R	B1405012000	22901409	CAP						1	1.00
7		MDB100B2100		NEEDLE DBX1 #21	EXCEPT JE					1	
8		MC142501300		NEEDLE 1738 130	FOR JE					1	
9		SS7080510TP		SCREW 1/8-44 L=4.5						1	
10		SS8151550SP		SCREW15/64-28L=15						1	
11		B1901141HA0		THREAD TAKE-UP LEVER ASM.						1	
12	R	B1210141H00	B1901141HA0	NEEDLE BAR CRANK				*		1	1.00
13		SS6090670TP		SCREW 9/64-40 L=6				*		1	
14	R	B1901141H00	B1901141HA0	THREAD TAKE-UP LEVER				*		1	1.00
15	R	B1902115000	B19011150A0	THREAD TAKE-UP CRANK				*		1	1.00
16	R	B1903141H00	B1903552000	END SCREW LEFT				*		1	1.00
17	D	B1904115000		THREAD TAKE-UP CRANK SHAFT STU				*		1	
18	R	B1411552000	B14115520A0	NEEDLE BAR CLAMP				*		1	1.00
19		B1408141H00		NEEDLE BAR CRANK ROD				*		1	

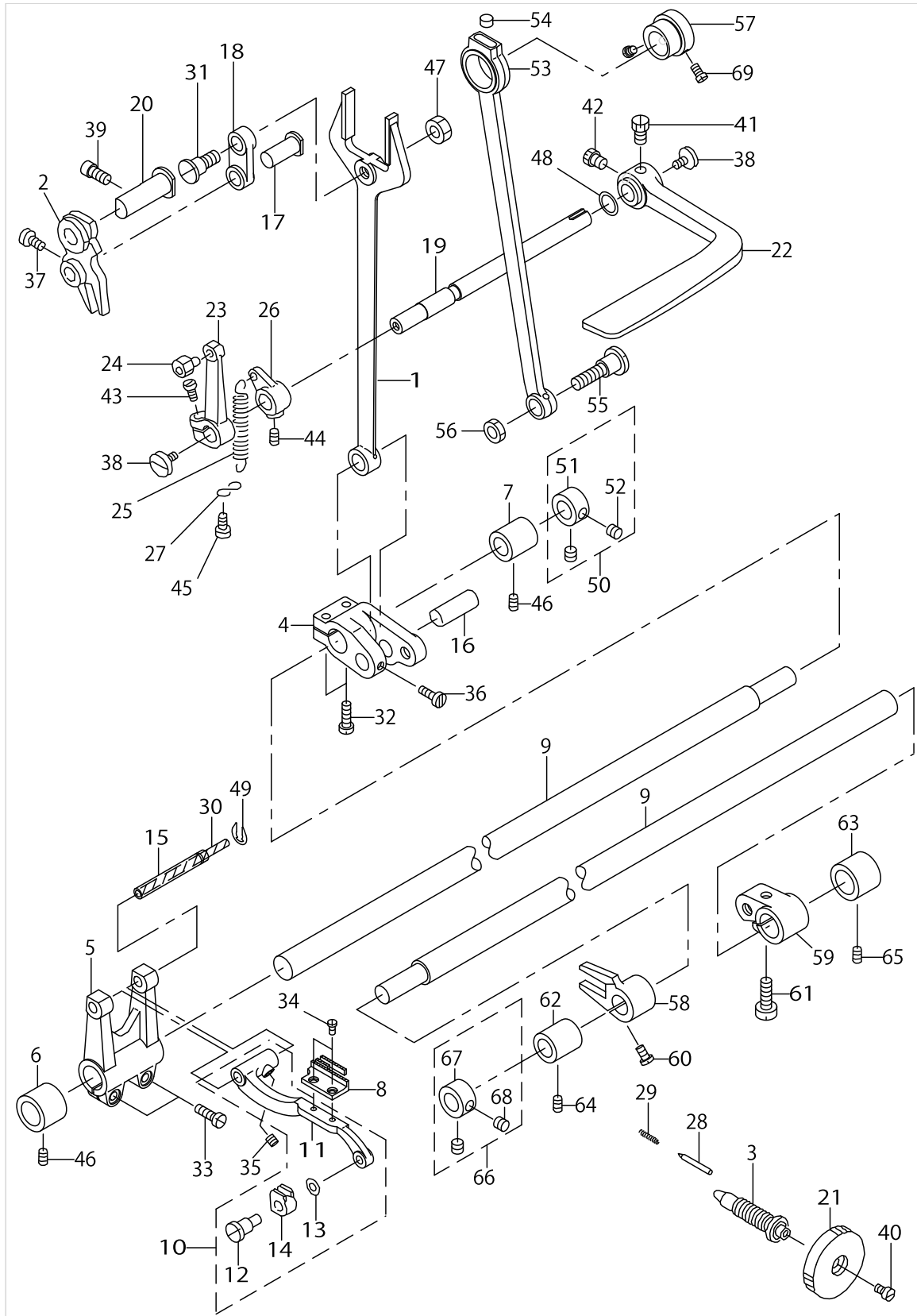
PRESSER BAR COMPONENTS



PRESSER BAR COMPONENTS

No.	Supply Code	Parts No.	Replacement	Parts name	Remarks	Choice	Step	Level	Cons	Qty	Rep. QTY
1	R	B1501127000	40017805	PRESSER BAR						1	1.00
2	R	11071602	22907554	PRESSER SPRING REGULATOR						1	1.00
3		B1505227T00A		PRESSER SPRING T						1	
4		B1510155000		PRESSER BAR LOWER BUSHING						1	
5	R	B1507141H00	21103304	PRESSER BAR GUIDE BRACKET						1	1.00
6		B1515141H00		LIFTING LEVER						1	
7		B1512141H00		HAND LIFTER						1	
8		B1513141H00		HAND LIFTER SHAFT						1	
9	R	B1511555000	40012052	NUT						1	1.00
10	D	B1525141HA0		INSIDE FOOT ASM.						1	
11		PS0300132KH		SPRING PIN 3X13						1	
12		22907703		PRESSER GUIDE BAR						1	
13		SS8660610TP		SCREW 1/4-40 L=6						1	
14		SS7110840SP		SCREW 11/64-40 L=7.8						2	
15		SS8110750SP		SCREW 11/64-40 L= 6.5						1	
16	R	SS7091110SP	SS7091110TP	SCREW 9/64-40 L=10.5						1	1.00

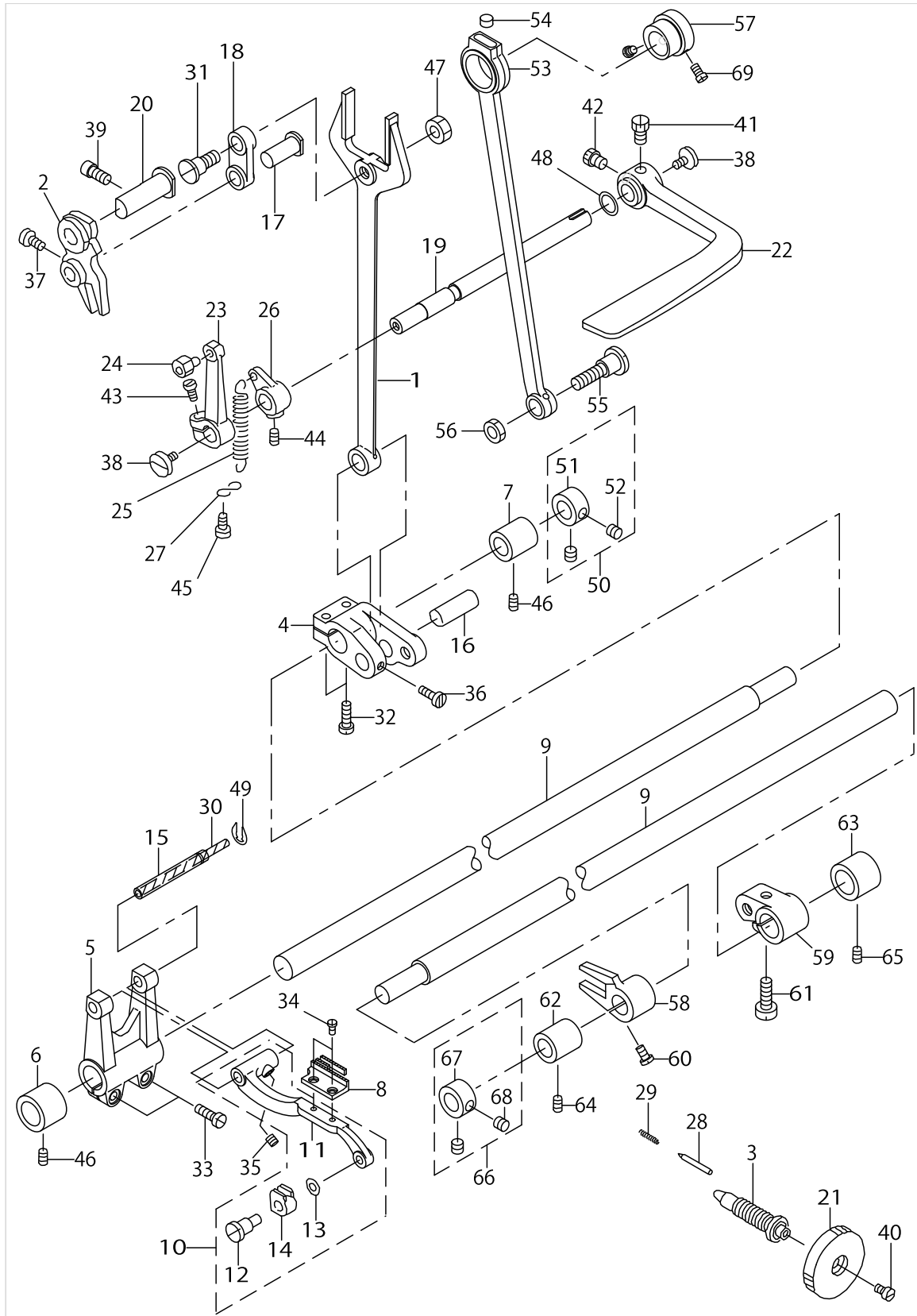
FEED MECHANISM COMPONENTS



FEED MECHANISM COMPONENTS

No.	Supply Code	Parts No.	Replacement	Parts name	Remarks	Choice	Step	Level	Cons	Qty	Rep. QTY
1		B1614141H00		PITMAN						1	
2		B1620141H00		FEED REGULATOR						1	
3	R	B1634141H00	40138764	STITCH LENGTH REGULATING SCREW						1	1.00
4	D	B1605141H00		FEED ROCKER SHAFT CRANK						1	
5		B1603141H00		FEED ROCKER						1	
6		B1604141H00		BUSHING, FRONT						1	
7	R	11847308	B1602141H00	BUSHING, REAR						1	1.00
8		B1613141H00		FEED DOG						1	
9		21261508		UPPER FEED DRIVING SHAFT						2	
10		B1606141HA0		FEED BAR ASM.						1	
11		B1606141H00		FEED BAR				*		1	
12		B1706155000		FEED DRIVING SLIDE BLOCK HINGE				*		1	
13	R	B1707155000	31255300	FEED DRIVING SLIDE BLOCK WASHE				*		1	1.00
14		B1705155000		FEED DRIVING SLIDE BLOCK				*		1	
15		B1604012000A		FEED BAR SHAFT						1	
16		B1611155000A		HINGE STUD FOR PITMAN						1	
17		B1618226000		HINGE PIN						1	
18		B1619141H00		FEED REGULATOR CONNECTING LINK						1	
19	D	B1621201000		REVERSE FEED CONTROL LEVER SHA						1	
20		B1622555000		HINGE PIN						1	
21		B16232010A0A		STITCH DIAL ASM.						1	
22		B1624141H0A		FEED LEVER						1	
23	R	B1627226000	B16272260A0	REVERSE FEED CONTROL LEVER CRA						1	1.00
24		B16331220A0		CRANK SLIDE BLOCK STUD ASM.						1	
25		B1646201000		TENSION SPRING						1	
26		B1647226000		SUSPENSION BRACKET (A)						1	
27		B1648122000		SUSPENSION HOOK (B)						1	
28		B1147555000		PIN						1	
29		22912109		FEED REGULATOR PIN SPRING						1	
30		CQ202000000		OIL WICK						.2	
31		SD0950802SH		HINGE SCREW D= 9.53 H= 8						1	
32	R	SS7121410SP	SS7121410TP	SCREW 3/16-28 L=14						2	1.00
33	R	SS7121410SP	SS7121410TP	SCREW 3/16-28 L=14						2	1.00
34		SS4080620TP		SCREW 1/8-44 L=6						2	
35		SS8620610TP		SCREW 3/16-32 L=6						1	
36	R	SS7120910SP	SS7120910TP	SCREW 3/16-28 L=9						1	1.00
37		SS6661110SP		SCREW 1/4-40 L=11						1	
38		SS7620750SP		SCREW 3/16-32 L=6.5						2	
39		SS6151220SP		SCREW 15/64-28 L=11.5						1	
40		SS6121050SP		SCREW 3/16-28 L=9.5						1	
41		SS9660910SP		SCREW 1/4-40 L=9.4						1	
42		SS9660720SP		SCREW 1/4-40 L=7						1	
43		SS6121210SP		SCREW 3/16-28 L=12						1	
44	R	SS8150710SP	SS8150710TP	SCREW 15/64-28 L=7						1	1.00

FEED MECHANISM COMPONENTS



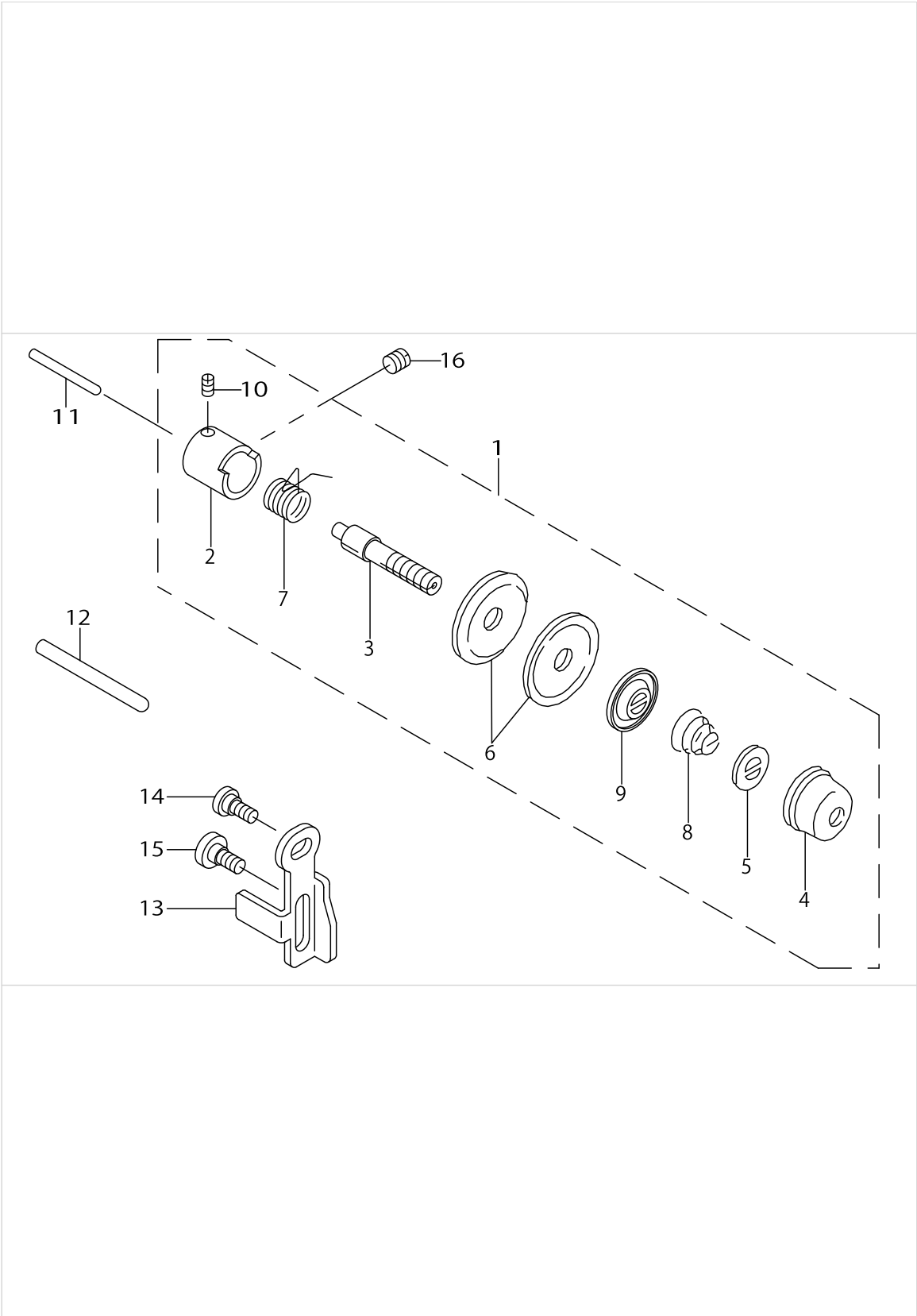
FEED MECHANISM COMPONENTS

No.	Supply Code	Parts No.	Replacement	Parts name	Remarks	Choice	Step	Level	Cons	Qty	Rep. QTY
45		SS7090710SP		SCREW 9/64-40 L=6.8						1	
46	R	SS8150710SP	SS8150710TP	SCREW 15/64-28 L=7						2	1.00
47		NS6680410SP		NUT 9/32-28						1	
48		WZ1052010KP		WAVED WASHER						1	
49		RE0500711KP		SNAP RING 5						1	
50		CS111101CSH		THRUST COLLAR A-SM.D=11.11 W=10						1	
51		CS1111019SH		THRUST COLLAR D=11.11 W=10				*		1	
52		SS8660610TP		SCREW 1/4-40 L=6				*		2	
53		B1701115000		FEED DRIVING SHAFT CONNECTING						1	
54		11002904		ROLLER FELT						1	
55		SD1020962SP		HINGE SCREW D=10.20 H= 9.6						1	
56		NS6680410SP		NUT 9/32-28						1	
57		B1208141H00		FEED CAM ASM.						1	
58		D1704241E00		UP AND DOWN FEED FORKED						1	
59	R	21106000	B1703241H00	FEED SHAFT ARM						1	1.00
60	R	SS7111120SP	SS7111120TP	SCREW 11/64-40 L=10.5						1	1.00
61		SS6151920SP		SCREW 15/64-28 L=19.0						1	
62	R	11847308	B1602141H00	BUSHING, REAR						1	1.00
63		B1604141H00		BUSHING, FRONT						1	
64	R	SS8150710SP	SS8150710TP	SCREW 15/64-28 L=7						1	1.00
65	R	SS8150710SP	SS8150710TP	SCREW 15/64-28 L=7						1	1.00
66		CS111101DSH		THRUST COLLAR A-SM. D=11.11 W=1						1	
67		CS1111019SH		THRUST COLLAR D=11.11 W=10				*		1	
68		SS8660530TP		SCREW 1/4-40 L= 4.5				*		2	
69		SS6110710TP		SCREW 11/64-40 L= 6.5						2	

HOOK DRIVING SHAFT COMPONENTS

No.	Supply Code	Parts No.	Replacement	Parts name	Remarks	Choice	Step	Level	Cons	Qty	Rep. QTY
1		21262506		HOOK DRIVING SHAFT						1	
2		21262605		BUSHING, FRONT						1	
3	D	B1804141H00		BUSHING, REAR						1	
4		B1830141HA0		HOOK ASM.						1	
5		B1835012000		BOBBIN CASE POSITIONING FINGER						1	
6		B1304012A00		OIL FELT						1	
7		B3511280000		OIL FELT						2	
8		B9117201000		BOBBIN						1	
9		CQ202000000		OIL WICK						.1	
10	R	SS8151150SP	SS8151150TP	SCREW 15/64-28 L=10.5						1	1.00
11	R	SS8150710SP	SS8150710TP	SCREW 15/64-28 L=7						1	1.00
12		SS6111620SP		SCREW 11/64-40 L=16.0						1	
13		TA0300503R0		PLUG						2	
14		CQ252000000		OIL WICK						.1	
15	D	CS079101CSH		THRUST COLLAR ASM. D=7.94 W=10						1	
16		CS0791016SH		THRUST HOLDER D=7.94 W=10				*		1	
17	R	SS8110510SP	SS8110520TP	SCREW 11/64-40 L=5				*		2	1.00
18		D1837141EA0		BOBBIN CASE ASM.						1	

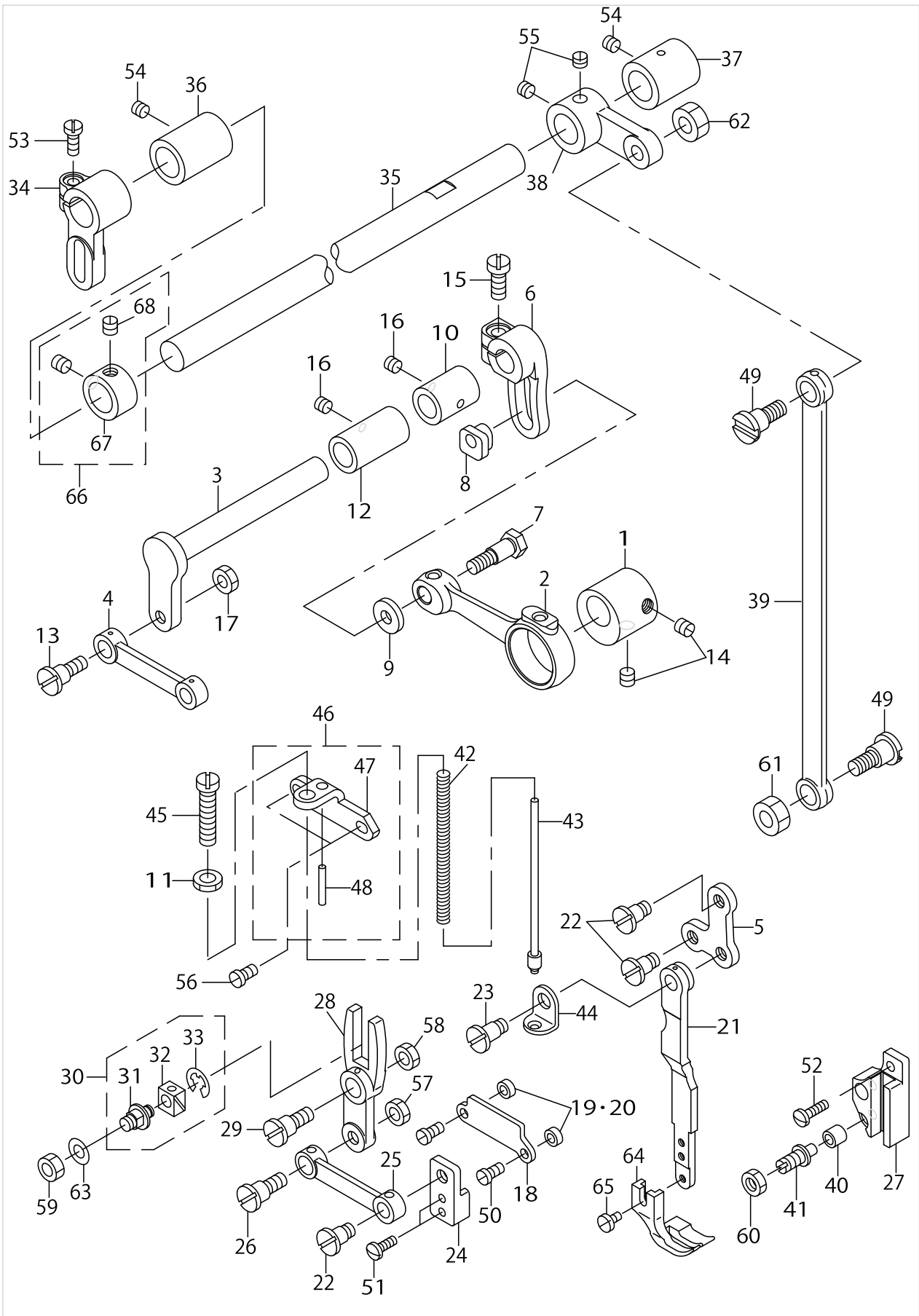
THREAD TENSION COMPONENTS



THREAD TENSION COMPONENTS

No.	Supply Code	Parts No.	Replacement	Parts name	Remarks	Choice	Step	Level	Cons	Qty	Rep. QTY
1	D	B3111141HA0		TENSION POST SOCKET ASM.						1	
2	R	B3111552B00	22945307	TENSION POST SOCKET				*		1	1.00
3		B3115552000		TENSION POST				*		1	
4		B3116125000		TENSION NUT				*		1	
5		B3120125000		ROTATING STOPPER				*		1	
6	R	B3126012000	22921506	THREAD TENSION DISK				*		2	1.00
7	R	B3128012000	22921605	TAKE-UP SPRING				*		1	1.00
8		B3129053000		TENSION SPRING				*		1	
9		B3132552000		THREAD TENSION DISK PRESSER				*		1	
10		SS8090670SP		SCREW 9/64-40 L=5.5				*		1	
11		B3118552F00		TENSION RELEASING PIN						1	
12		B3127127000		THREAD RELEASE AUXILIARY PIN						1	
13		B3134141H00		TENSION RELEASE PLATE						1	
14		SD0600271SP		HINGE SCREW D= 6 H= 2.7						1	
15		SD0600321SP		HINGE SCREW D=6 H=3.2						1	
16	R	SS8150710SP	SS8150710TP	SCREW 15/64-28 L=7						1	1.00

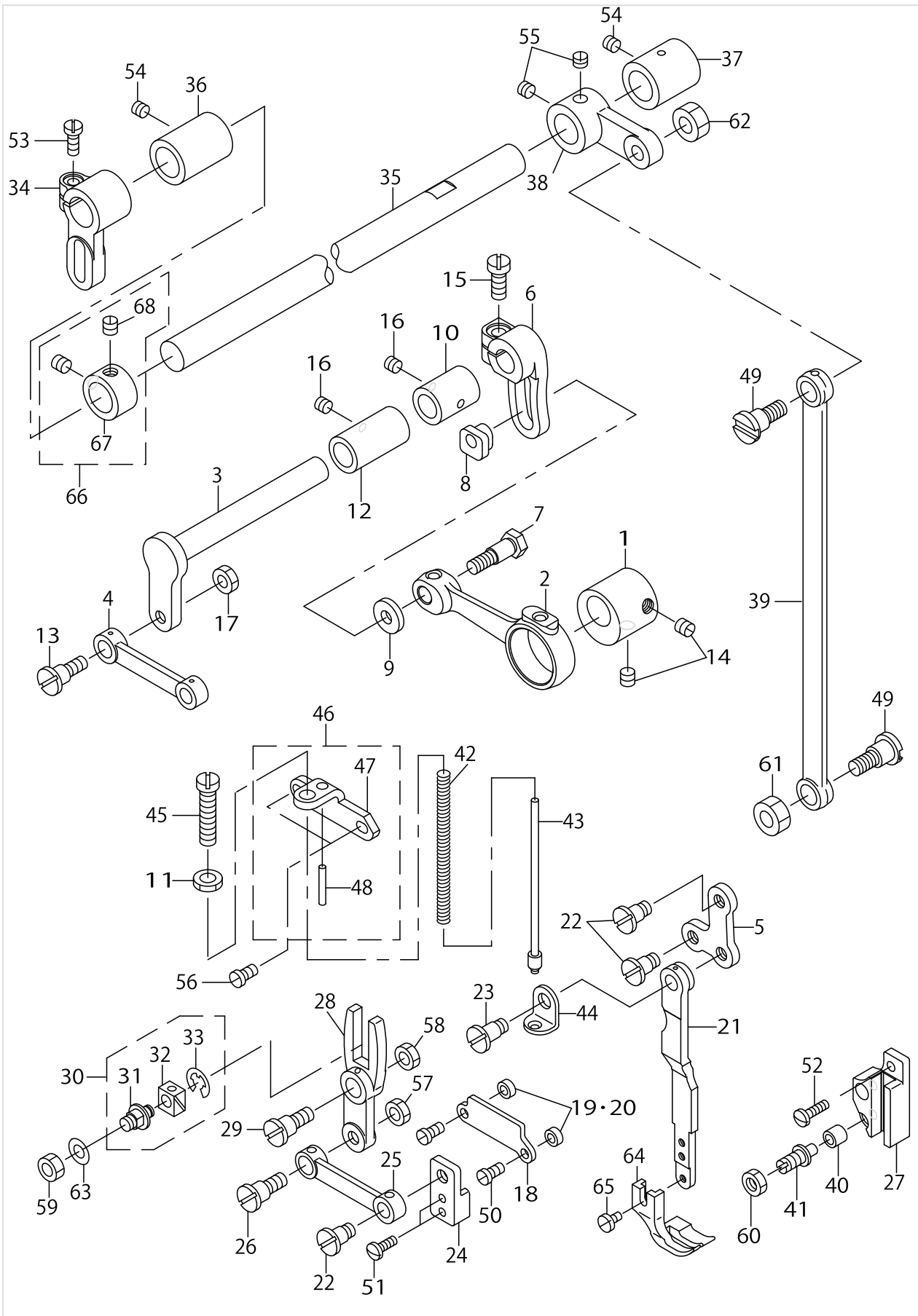
UPPER FEED MECHANISM COMPONENTS



UPPER FEED MECHANISM COMPONENTS

No.	Supply Code	Parts No.	Replacement	Parts name	Remarks	Choice	Step	Level	Cons	Qty	Rep. QTY
1		B3001141H00		FEED DRIVE ECCENTRIC CAM						1	
2		B3002141H00		CRANK CONNECTING ROD						1	
3		B3003141H00A		UPPER FEED DRIVING SHAFT						1	
4		B3005141H00		CONNECTING LINK						1	
5		B3006141H00		L-SHAPED LINK						1	
6	R	B3007141H00	B3007141HA0	UPPER FEED SPRING ROD						1	1.00
7		B3008141H00		HINGE SCREW						1	
8		B3009141H0A		NUT						1	
9		B3010141H00		WASHER						1	
10		B3011141H00		BUSHING						1	
11		NS6680320SP		NUT 9/32-28						1	
12		B3011141H0A		BUSHING, FRONT						1	
13		SD0850751SP		HINGE SCREW D= 8.50 H= 7.5						1	
14		SS8660610TP		SCREW 1/4-40 L=6						2	
15		SS6151440SP		SCREW 15/64-28L=14						1	
16		SS8150510TP		SCREW 15/64-28 L= 4.7						2	
17		NS6150310SP		NUT 15/64-28						1	
18		B3012141H00A		WALKING BAR DRIVING LINK						1	
19		B3013141H0A		WASHER						2	
20		B3013141H0B		WASHER	SELECTIVE PARTS					2	
21	R	B3014141H00B	40022000	L-SHAPED ROD						1	1.00
22		B3015141H00		HINGE SCREW						3	
23		B3016141H00		HINGE SCREW, B						1	
24		B3017141H00B		CONNECTING LINK HOLDER						1	
25		B3018141H00		DRIVING ROD						1	
26		B3019141H00		HINGE SCREW						1	
27		B3020141H00		SLIDE BLOCK GUIDE						1	
28		B3021141H00		SLIDE FORK						1	
29		B3022141H00		HINGE SCREW						1	
30		B3023141HA0A		SLIDE BLOCK ASM.						1	
31	R	B3023141H00A	B3023141HA0A	SLIDE BLOCK PIN				*		1	1.00
32	R	B3024141H00	B3023141HA0A	SLIDE BLOCK				*		1	1.00
33		RE0400000K0		E-RING 4				*		1	
34		B3025141H00A		CONNECTING ARM						1	
35		21262803		MIDDLE SHAFT						1	
36		10106102		BUSHING						1	
37		B3028141H00		BUSHING, REAR						1	
38	R	B3029141H00	40021784	DRIVING SHAFT ROD						1	1.00
39		B3030141H00		DRIVING ROD						1	
40		B3031141H00		CONNECTING STUD						1	
41		B3032141H00		CONNECTING STUD SHAFT						1	
42		B3033141H00		SPRING						1	
43		B3034141H00		SPRING POLE						1	
44		B3035141H00		RETAINING PLATE						1	
45		B3036141H00		ADJUSTING THUMB SCREW						1	
46		B3037141HA0		SPRING BASE ASM.						1	

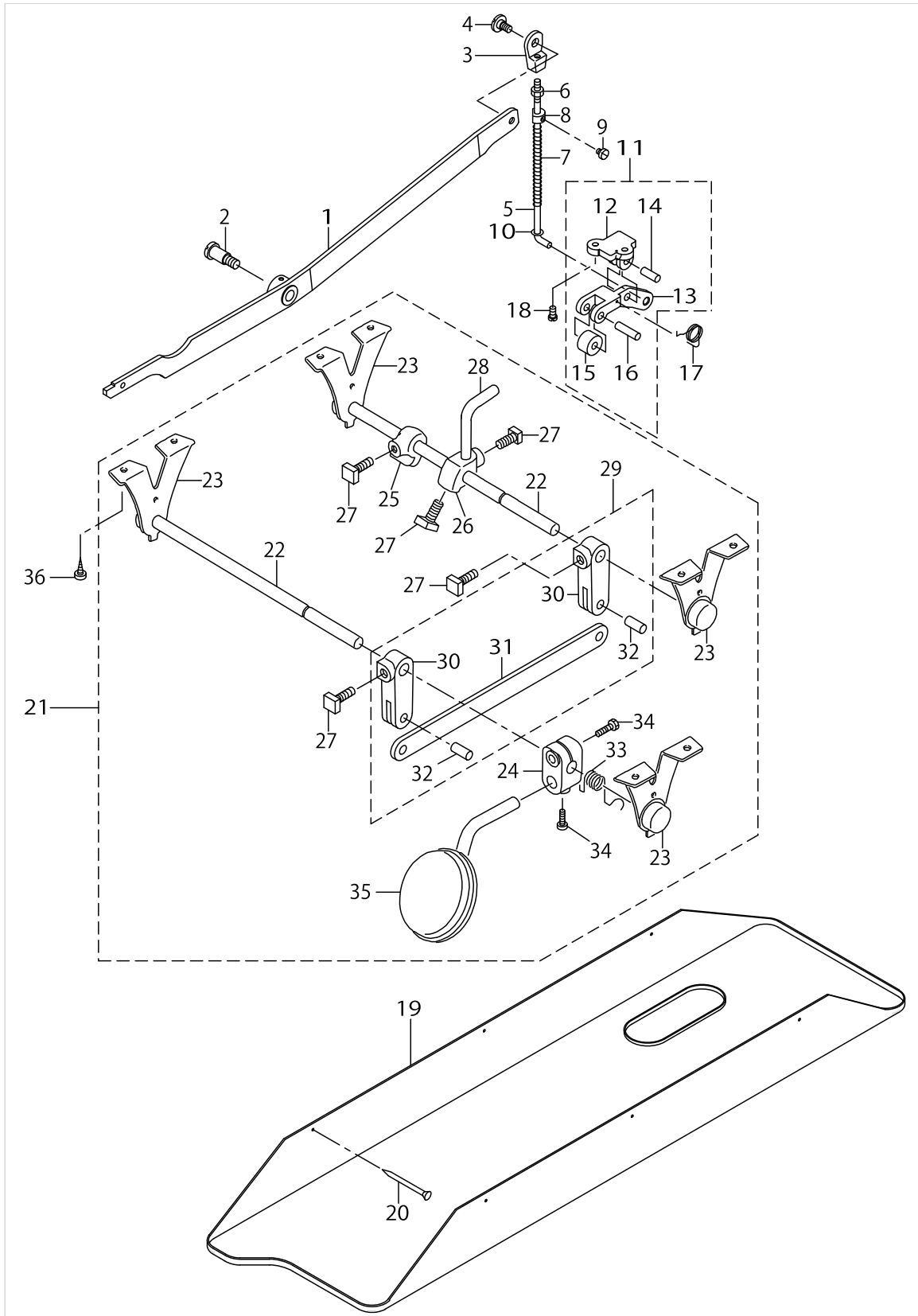
UPPER FEED MECHANISM COMPONENTS



UPPER FEED MECHANISM COMPONENTS

No.	Supply Code	Parts No.	Replacement	Parts name	Remarks	Choice	Step	Level	Cons	Qty	Rep. QTY
47		B3037141H00		SPRING BAR				*		1	
48		PS0300201KP		SPRING PIN 3.0X20				*		1	
49		SD1020961SP		HINGE SCREW D=10.2 H=9.6						2	
50	R	SS7110910SP	SS7110910TP	SCREW 11/64-40 L=8.5						2	1.00
51	R	SS7091110SP	SS7091110TP	SCREW 9/64-40 L=10.5						2	1.00
52		SS7111410TP		SCREW 11/64-40 L=14						3	
53		SS6121210SP		SCREW 3/16-28 L=12						1	
54		SS8150510TP		SCREW 15/64-28 L= 4.7						2	
55		SS8660530TP		SCREW 1/4-40 L= 4.5						2	
56	R	SS7111120SP	SS7111120TP	SCREW 11/64-40 L=10.5						2	1.00
57		NS6660430SP		NUT 1/4-40						1	
58		NS6680320SP		NUT 9/32-28						1	
59		NS6160520SP		NUT 1/4-24						1	
60		NS6660430SP		NUT 1/4-40						1	
61		NS6680410SP		NUT 9/32-28						1	
62		NS6680320SP		NUT 9/32-28						1	
63		WP0650876SD		WASHER 6.5X13X0.8						1	
64		B1526145000		PRESSURE FOOT						1	
65		SS7090610SP		SCREW 9/64-40 L=6						1	
66		22904155		MAIN SHAFT THRU-ST COLLAR ASM.						1	
67	R	22904106	22904155	MAIN SHAFT THRUST COLLAR				*		1	1.00
68		SS8660610TP		SCREW 1/4-40 L=6				*		2	

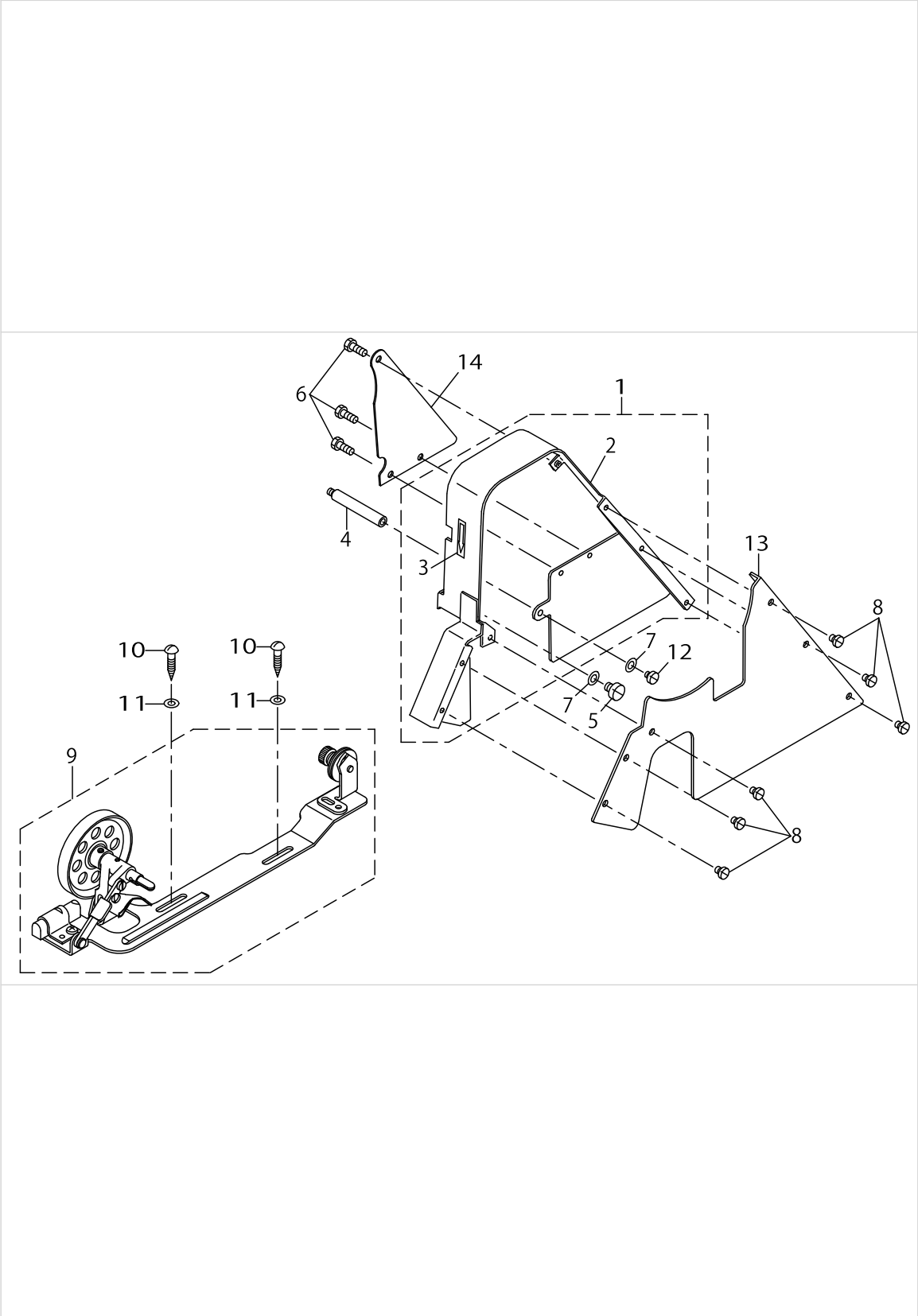
KNEE LIFTER & OIL PAN COMPONENTS



KNEE LIFTER & OIL PAN COMPONENTS

No.	Supply Code	Parts No.	Replacement	Parts name	Remarks	Choice	Step	Level	Cons	Qty	Rep. QTY
1		21262902		KNEE LIFTER LIFTING LEVER						1	
2		SD0991551SP		HINGE SCREW D=9.9 H=5.5						1	
3		B3416141H00A		SWIVEL						1	
4		SD0790351SP		HINGE SCREW D=7.9 H=3.5						1	
5	D	B3415241H00		LIFTING LEVER CONNECTING ROD						1	
6		NS6620310SP		NUT 3/16-32						1	
7		B3414051000		REAR LIFTING BAR SPRING						1	
8		B3418245000		SPRING HOLDER						1	
9		SS7110540SP		SCREW 11/64-40 L=5						1	
10		WP0550800SP		WASHER 5.5X10X0.8						1	
11		B3402141HA0A		BELL CRANK BRACKET ASM.						1	
12	R	B3401141H00	B3402141HA0A	BELL CRANK BRACKET				*		1	1.00
13		B3402141H00A		BELL CRANK BRACKET				*		1	
14	R	B3403141H00	B3402141HA0A	PIN				*		1	1.00
15		B3404141H00		ROLLER				*		1	
16	D	B3405141H00		PIN				*		1	
17		B3406141H00		SPRING						1	
18	R	SS7120910SP	SS7120910TP	SCREW 3/16-28 L=9						2	1.00
19		21263108		OIL RESERVOIR						1	
20		10539906		SET NAIL						6	
21	D	21263553		KNEE LIFTER SYSTEM ASM.						1	
22	D	B3420141H00		MAIN SHAFT				*		2	
23	R	B3432141H00	40032132	SUPPORT				*		4	1.00
24	R	B3433141H0A	22932453	BRACKET				*		1	1.00
25		B3434141H00		BRACKET				*		1	
26		B3424141H00		MOUNTING BRACKET				*		1	
27	R	B3425141H00	SS9201813CP	MOUNTING BRACKET SET SCREW				*		5	1.00
28		B3426141H00A		KNEE LIFTING BENT ARM				*		1	
29	D	21263652		CONNECTING ARM ASM.				*		1	
30		21263603		CONNECTING ARM				*		2	
31		21263702		CONNECTING PLATE				*		1	
32		21263801		PIN				*		2	
33		B3435141H00		KNEE TOP ROTARY SPRING				*		1	
34		SS9182010SN		SCREW 9/32-20 L=20				*		2	
35		22934251		KNEE PAD PLATE ASM.				*		1	
36		SK3483201SE		WOOD SCREW D=4.8 L=32						8	

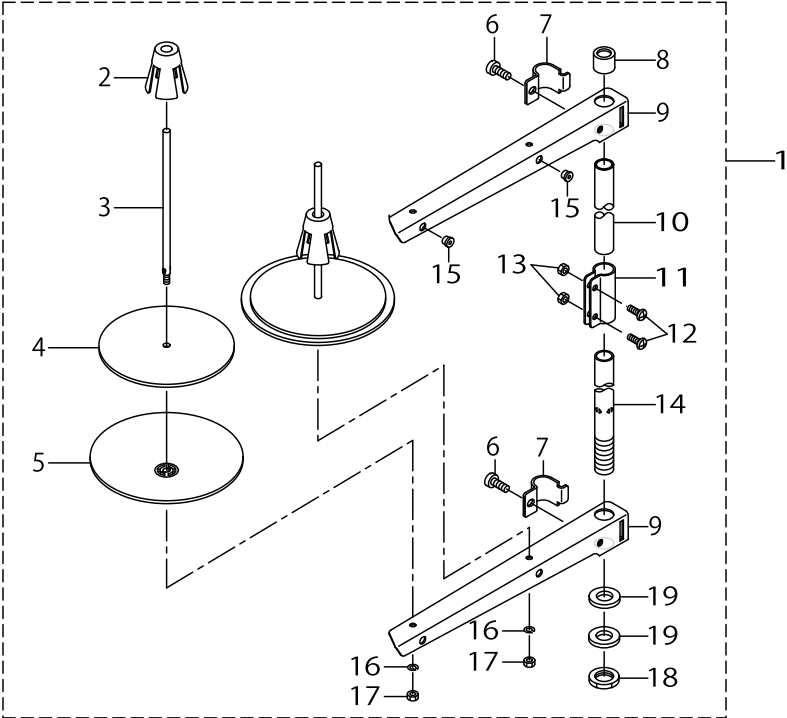
BEL COVER & BOBBIN WINDER COMPONENTS



BEL COVER & BOBBIN WINDER COMPONENTS

No.	Supply Code	Parts No.	Replacement	Parts name	Remarks	Choice	Step	Level	Cons	Qty	Rep. QTY
1		21265053		BELT COVER						1	
2		21265004		BELT COVER				*		1	
3		CM500300001		DIRECTION LABEL				*		1	
4		D8232141E00		BELT COVER SUPPORT						1	
5		SS7150740SP		SCREW 15/64-28 L=7						1	
6		SS6110480SP		SCREW 11/64-40 L=4.3						3	
7		WP0621016SD		WASHER 6.2X13X1						2	
8		SS7110340SP		SCREW 11/64-40 L= 3.2						6	
9		11415866		BOBBIN WINDER COMPL.						1	
10	R	SK3482500SC	SK3482501SE	WOOD SCREW D=4.8 L=25						2	1.00
11		WP0501016SC		WASHER 5X10.5X1						2	
12		SS6110480SP		SCREW 11/64-40 L=4.3						1	
13		D8231141E0E		BELT COVER TOP A						1	
14		D8233141E0A		BELT COVER TOP B						1	

THREAD STAND COMPONENTS



THREAD STAND COMPONENTS

No.	Supply Code	Parts No.	Replacement	Parts name	Remarks	Choice	Step	Level	Cons	Qty	Rep. QTY
1	R	22930358	40096354	THREAD STAND ASM.						1	1.00
2	R	22931109	40085791	SPOOL RETAINER				*		2	1.00
3	R	22931000	40085790	SPOOL PIN				*		2	1.00
4		22930903		SPOOL REST CUSHION				*		2	
5		22930804		SPOOL REST				*		2	
6		SM6061610SC		SCREW M6 L=16				*		2	
7	R	22930705	40096354	THREAD GUIDE ARM JOINT				*		2	1.00
8		22931406		SPOOL REST ROD RUBBER CAP				*		1	
9	R	22930507	40096354	SPOOL REST ARM				*		2	1.00
10	R	22930408	40096354	SPOOL REST ROD, UPPER				*		1	1.00
11	R	22931307	40096354	SPOOL REST ROD JOINT				*		1	1.00
12		SM4051405SE		SCREW M5 L=14				*		2	
13		NM6050001SE		NUT M5				*		2	
14	R	22930309	40096354	SPOOL REST ROD, LOWER				*		1	1.00
15		22931208		THREAD GUIDE				*		2	
16		WS0510002KN		SPRING WASHER				*		2	
17		NM6050001SE		NUT M5				*		2	
18		NM6160511SE		NUT M16X1.5				*		1	
19		WP1702600S0		WASHER 17X30X2.6				*		2	

TABLE COMPONENTS

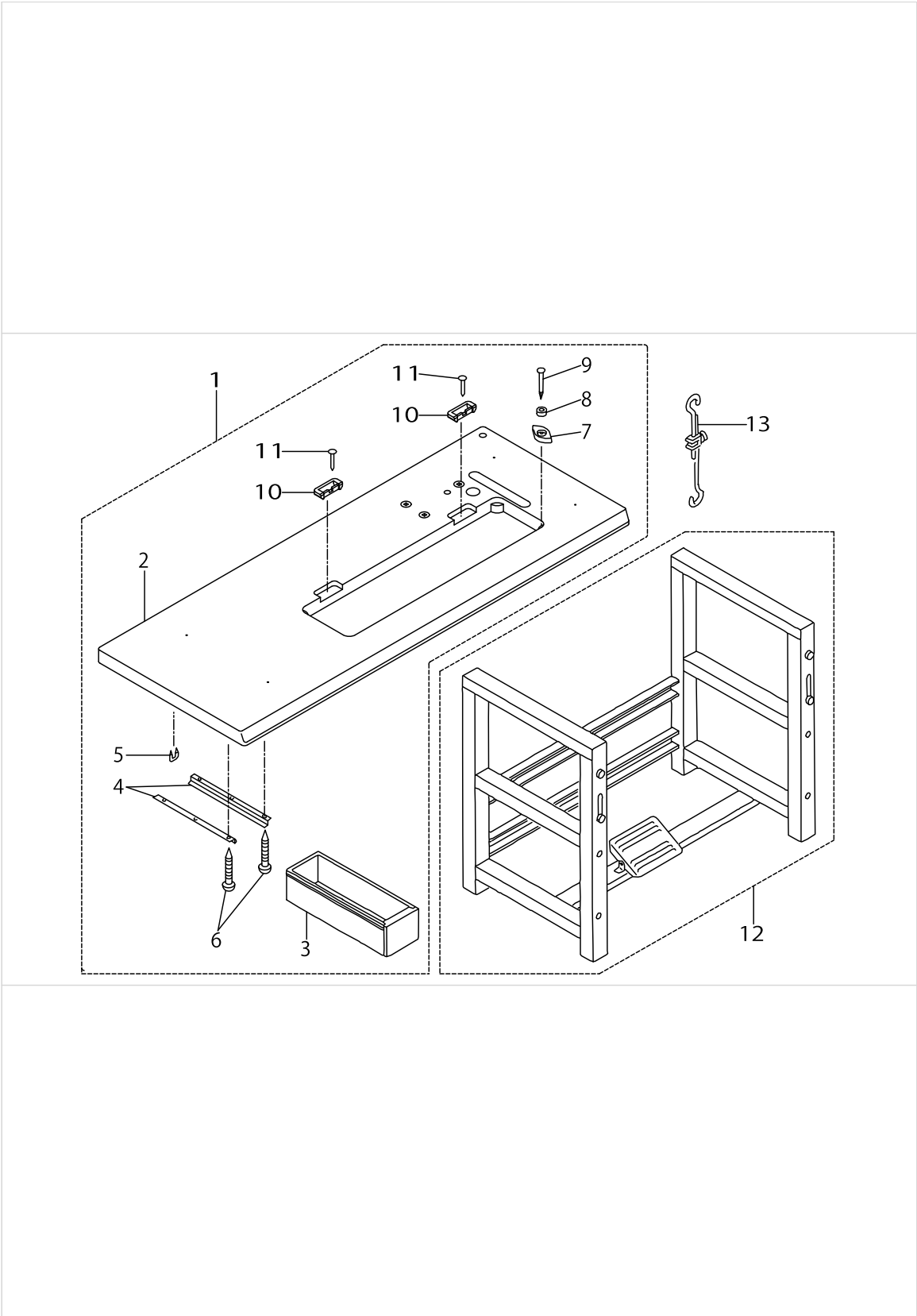


TABLE COMPONENTS

No.	Supply Code	Parts No.	Replacement	Parts name	Remarks	Choice	Step	Level	Cons	Qty	Rep. QTY
1		21264056		TABLE ASM.						1	
2		21264007		TABLE				*		1	
3	D	D8203555B00		DRAWER				*		1	
4		B8204012000		DRAWER SUPPORT				*		2	
5		D8204555D00		DRAWER STOPPER				*		1	
6		SK3311600SE		WOOD SCREW D=3.1 L=16				*		6	
7		B8209012000		RUBBER CUSHION				*		4	
8		B8206012000		FELT CUSHION				*		4	
9		10539906		SET NAIL				*		4	
10		11075801		RUBBER SPACER				*		2	
11		B8210012000		CUSHION SET NAIL				*		4	
12		21065156		LEG ASM.						1	
13		B71140120A0		MOTOR CONNECTING ROD ASM.						1	

ACCESSORIES PARTS COMPONENTS

No.	Supply Code	Parts No.	Replacement	Parts name	Remarks	Choice	Step	Level	Cons	Qty	Rep. QTY
1	D	MDB100B2104		NEEDLE DBX1 #21-4EA.	EXCEPT JE					1	
2	D	MC142501305		NEEDLE 1738 130-5	FOR JE					1	
3	R	B9101552000	22932800	ACCESSORY BOX						1	1.00
4		22933006		SCREW DRIVER,LARGE						1	
5	R	B9110012000	22933105	SCREW DRIVER, MIDDLE						1	1.00
6	R	B9111012000	22933204	SCREW DRIVER, SMALL						1	1.00
7		B91212200A0		OILER (CONTAINING NO.2 OIL)						1	
8		B9117201000		BOBBIN						4	
9		22958300		NEEDLE THREAD GUIDE PIN						2	
10	R	B8213125AA0	22958052	HINGE ASM.						2	1.00
11	R	B9112012000	26034702	WRENCH (11X14)						1	1.00
12		B9113012000		WRENCH (9X10)						1	
13	D	B8216555000		FRAME SUPPORT						1	
14		D7101141E00		SYNCHRONIZER FIXED PLATE	OPTION					1	
15		D7102141E00		SYNCHRONIZER SUPPORT PLATE	OPTION					1	
16		SS7150940SP		SCREW 15/64-28 L=9	OPTION					2	
17		SS7110710SP		SCREW 11/64-40 L=7	OPTION					1	
18		MC142501302		NEEDLE 1738 NM130-2	FOR JE					1	

LIST FOR INFORMATION OF CHANGE (1)

As to the place changed, refer to the corresponding Rev.No.
 When previous parts(Obsoleted part)and new parts(Added parts)are
 not interchangeable with each other:
 In this case,even obsoleted parts(D.)can be ordered with the
 obsoleted part number,so select the parts with changed dates and
 place your orders.

変更箇所は、該当Rev.No.版をご参照ください。
 部品の互換性がない変更の場合は、削除された品番でも、ご注文できます。

29038205
 No.0626-01}・・・Rev.No.

*A:Added parts追加部品/D:Obsoleted parts削除部品/E:Erratum訂正

* Rev. No.	Page 頁	Ref. No.	Parts No. 品番	* Rev. No.	Page 頁	Ref. No.	Parts No. 品番
D 00	2	1	B1112-141-HA0	A 01	2	1	B1110-012-0A0
D 00	2	4	B1112-141-H00	A 01	2	4	B1110-012-000
				A 01	2	44	CM-3002001-01
				A 01	2	45	CM-3002001-A1
				A 01	2	46	CM-3002000-B1
				A 01	2	47	114-15205
				A 01	2	48	CM-3002000-01
D 00	4	7	B1227-145-000	A 01	4	7	B1227-145-00B
D 00	4	27	CS-147121A-SH	A 01	4	27	229-04155
D 00	4	28	CS-1471212-SH	A 01	4	28	229-04106
D 00	4	31	B1302-141-H00	A 01	4	31	B1302-271-000
D 00	4	32	B1303-141-H00	A 01	4	32	B1303-271-000
D 00	4	38	CQ-2020000-00				
D 00	4	39	CQ-2020000-00				
D 00	5	2	B1402-115-000	A 01	5	2	229-06101
D 00	5	4	B1414-232-000	A 01	5	4	B1414-555-000
D 00	5	9	SS-8150310-SP				
D 00	5	10	SS-8110310-SP				
D 00	6	1	B1501-141-H00	A 01	6	1	B1501-127-000
D 00	6	2	B1509-141-H00	A 01	6	2	110-71602
D 00	6	3	B1510-141-H00	A 01	6	3	B1505-227-T00-A
D 00	6	12	SS-8110310-SP				
				A 01	6	12	229-07703
D 00	8	7	B1602-141-H00	A 01	8	7	118-47308
D 00	8	8	B1613-141-H00-A	A 01	8	8	B1613-141-H00
D 00	8	22	B1624-555-000	A 01	8	22	B1624-141-H0A
D 00	8	29	B1148-555-000	A 01	8	29	229-12109
D 00	8	54	B1702-012-000	A 01	8	54	110-02904
D 00	8	57	B1209-141-H00	A 01	8	57	B1208-141-H00
D 00	8	62	B1602-141-H00	A 01	8	62	118-47308
D 00	12	11	B1702-012-000				
D 00	12	21	B3014-141-H00-A	A 01	12	21	B3014-141-H00-B
D 00	12	24	B3017-141-H00-A	A 01	12	24	B3017-141-H00-B
D 00	12	36	B3027-141-H00	A 01	12	36	101-06102
D 00	12	48	PS-0300322-K0	A 01	12	48	PS-0300201-KP
D 00	12	51	SS-6090810-SP	A 01	12	51	SS-7091110-SP

HOW TO MAKE USE OF THIS PARTS LIST

1.Explanation of codes

1)"*"mark.....means this part is changed from the previous parts book.

As to the details of the change, refer to the "List for information of change".

2)"#01".....refer to "Note" explanation at bottom of page.

2.Codes on the "Qty" column

- Each numeral indicates the number of parts required.
- "0.1" and "2.5" indicate the length (in meters) of the respective parts.

3.Parentheses mean that the corresponding part is a subpart that constructs an assembly part.

4.Dotted lines on the Figures indicate assembly parts.

1."注記"欄の記号説明

1) "*"印.....前回のパーツブックに比較して今回変更された部品を意味します。

変更内容は、"変更情報リスト"を参照してください。

2) "#01".....ページ下の"注記"の説明を参照してください。

2.数量欄の数字は、個数を表し、0.1、2.5等の数値は、長さ（単位メートル）を表します。

3.数量欄の（ ）は、組部品を構成している子部品であることを意味します。

4.イラストページの-----枠は、組構成であることを意味します。

NUMERICAL INDEX OF PARTS

PART NO	PAGE	REF NO.	PART NO	PAGE	REF NO.	PART NO	PAGE	REF NO.
10106102	20	36	22930903	28	4	B1403141H00	8	3
10539906	24	20	22931000	28	3	B1405012000	8	6
10539906	30	9	22931109	28	2	B1408141H00	8	19
11002904	14	54	22931208	28	15	B1411552000	8	18
11071602	10	2	22931307	28	11	B1414555000	8	4
11075801	30	10	22931406	28	8	B1418141H00	8	5
11415205	4	11·47	22933006	32	4~6	B1501127000	10	1
11415866	26	9	22934251	24	35	B1505227T00A	10	3
11847308	12	62	22958300	32	9	B1507141H00	10	5
11847308	14	62	B1105141H00	2	5	B1510155000	10	4
21065156	30	12	B1110012000	2	4	B1511555000	10	9
21106000	14	59	B11100120A0	2	1	B1512141H00	10	7
21221452	2	15	B1111012000	2	2	B1513141H00	10	8
21261003	6	1	B1118141H00	2	9	B1515141H00	10	6
21261102	6	2	B1121141HA0B	2	14	B1525141HA0	10	10
21261201	6	3	B1123141H00	2	11·47	B1526145000	22	64
21261300	6	4	B1126201000	2	8	B1603141H00	12	5
21261508	12	9	B1129141H00	2	7	B1604012000A	12	15
21262506	16	1	B1130141H00	2	6	B1604141H00	12	63
21262605	16	2	B1131141H00	2	13	B1604141H00	14	63
21262803	20	35	B1147555000	12	28	B1605141H00	12	4
21262902	24	1	B1150141H00	2	10	B1606141H00	12	11
21263108	24	19	B1156115000	2	12	B1606141HA0	12	10
21263553	24	21	B11570090A0	2	42	B1611155000A	12	16
21263603	24	30	B1206141H00	6	5	B1613141H00	12	8
21263652	24	29	B1208141H00	14	57	B1614141H00	12	1
21263702	24	31	B1210141H00	8	12	B1618226000	12	17
21263801	24	32	B1211141H00	6	13	B1619141H00	12	18
21264007	30	2	B1211226000	6	8	B1620141H00	12	2
21264056	30	1	B1212012000	6	9	B1621201000	12	19
21265004	26	2	B1213012000	6	10	B1622555000	12	20
21265053	26	1	B1218012000	6	11	B16232010A0A	12	21
22904106	6	28	B122714500B	6	7	B1624141H0A	12	22
22904106	22	67	B1301201000	6	30	B1627226000	12	23
22904155	6	27	B1302271000	6	31	B16331220A0	12	24
22904155	22	66	B1303271000	6	32	B1634141H00	12	3
22906101	8	2	B1304012A00	16	6	B1646201000	12	25
22907703	10	12	B1305012000	6	33	B1647226000	12	26
22912109	12	29	B1306155000	6	34	B1648122000	12	27
22930309	28	14	B1307155000	6	35	B1701115000	14	53
22930358	28	1	B1308155000	6	36	B1702012000	6	12
22930408	28	10	B1308241H00	6	43	B1705155000	12	14
22930507	28	9	B1309115000	6	38	B1706155000	12	12
22930705	28	7	B13091150A0	6	37	B1707155000	12	13
22930804	28	5	B1401141H00	8	1	B1804141H00	16	3

NUMERICAL INDEX OF PARTS

PART NO	PAGE	REF NO.	PART NO	PAGE	REF NO.	PART NO	PAGE	REF NO.
B1830141HA0	16	4	B3111141HA0	18	1	B8216555000	32	13
B1835012000	16	5	B3111552B00	18	2	B9101552000	32	3
B1901141H00	8	14	B3115552000	18	3	B9110012000	32	4~6
B1901141HA0	8	11	B3116125000	18	4	B9111012000	32	4~6
B1902115000	8	15	B3118552F00	18	11	B9112012000	32	11·12
B1903141H00	8	16	B3120125000	18	5	B9113012000	32	11·12
B1904115000	8	17	B3126012000	18	6	B9117201000	16	8
B3001141H00	20	1	B3127127000	18	12	B9117201000	32	8
B3002141H00	20	2	B3128012000	18	7	B91212200A0	32	7
B3003141H00A	20	3	B3129053000	18	8	CM300200001	4	48
B3005141H00	20	4	B3132552000	18	9	CM3002000B1	2	46
B3006141H00	20	5	B3134141H00	18	13	CM300200101	2	44·45
B3007141H00	20	6	B3214047000	2	19	CM3002001A1	2	44·45
B3008141H00	20	7	B3216047000	2	20	CM500300001	26	3
B3009141H0A	20	8	B3401141H00	24	12	CQ200000000	6	17
B3010141H00	20	9	B3402141H00A	24	13	CQ202000000	2	25
B3011141H00	20	10	B3402141HA0A	24	11	CQ202000000	12	30
B3011141H0A	20	12	B3403141H00	24	14	CQ202000000	16	9
B3012141H00A	20	18	B3404141H00	24	15	CQ252000000	16	14
B3013141H0A	20	19·20	B3405141H00	24	16	CS0791016SH	16	16
B3013141H0B	20	19·20	B3406141H00	24	17	CS079101CSH	16	15
B3014141H00B	20	21	B3414051000	24	7	CS1111019SH	14	67
B3015141H00	20	22	B3415241H00	24	5	CS111101CSH	14	50
B3016141H00	20	23	B3416141H00A	24	3	CS111101DSH	14	66
B3017141H00B	20	24	B3418245000	24	8	D1704241E00	14	58
B3018141H00	20	25	B3420141H00	24	22	D1837141EA0	16	18
B3019141H00	20	26	B3424141H00	24	26	D3161555B00	2	16
B3020141H00	20	27	B3425141H00	24	27	D3162555B00	2	17
B3021141H00	20	28	B3426141H00A	24	28	D3168555H0B	2	18
B3022141H00	20	29	B3432141H00	24	23	D7101141E00	32	14
B3023141H00A	20	31	B3433141H0A	24	24	D7102141E00	32	15
B3023141HA0A	20	30	B3434141H00	24	25	D8203555B00	30	3
B3024141H00	20	32	B3435141H00	24	33	D8204555D00	30	5
B3025141H00A	20	34	B3503201000	2	21	D8231141E0E	26	13
B3028141H00	20	37	B3504201000	2	22	D8232141E00	26	4
B3029141H00	20	38	B3511280000	16	7	D8233141E0A	26	14
B3030141H00	20	39	B3515201000	2	23	MC142501300	8	7·8
B3031141H00	20	40	B3517009000	2	43	MC142501302	32	18
B3032141H00	20	41	B3527012000	2	24	MC142501305	32	2
B3033141H00	20	42	B71140120A0	30	13	MDB100B2100	8	7·8
B3034141H00	20	43	B8204012000	30	4	MDB100B2104	32	1
B3035141H00	20	44	B8206012000	30	8	NM6050001SE	28	17
B3036141H00	20	45	B8209012000	30	7	NM6160511SE	28	18
B3037141H00	22	47	B8210012000	30	11	NS6150310SP	20	17
B3037141HA0	20	46	B8213125AA0	32	10	NS6160520SP	22	59

NUMERICAL INDEX OF PARTS

PART NO	PAGE	REF NO.	PART NO	PAGE	REF NO.	PART NO	PAGE	REF NO.
NS6620310SP	24	6	SS7090710SP	14	45	SS8660610TP	20	68
NS6660430SP	22	60	SS7090920SP	6	6	SS8660610TP	22	68
NS6680320SP	20	62	SS7091110SP	10	16	SS8660810TP	6	42
NS6680320SP	22	62	SS7091110SP	22	51	SS8681950SP	6	22
NS6680410SP	14	56	SS7110340SP	26	8	SS9181520CP	6	39
NS6680410SP	22	61	SS7110510SP	2	37	SS9182010SN	24	34
PS0300132KH	10	11	SS7110540SP	24	9	SS9660720SP	12	42
PS0300201KP	22	48	SS7110710SP	2	36	SS9660910SP	12	41
PS0350102KR	2	29	SS7110710SP	32	17	TA0300503R0	6	14
RE0400000K0	20	33	SS7110840SP	10	14	TA0300503R0	16	13
RE0500711KP	14	49	SS7110910SP	22	50	TA1250406R0	2	40
RO133170100	6	40	SS7111120SP	14	60	WP0501016SC	26	11
SD0600271SP	18	14	SS7111120SP	22	56	WP0550800SP	24	10
SD0600321SP	18	15	SS7111410TP	22	52	WP0621016SD	26	7
SD0790351SP	24	4	SS7112420SP	2	32	WP0650876SD	22	63
SD0850751SP	20	13	SS7120910SP	12	36	WP1702600S0	28	19
SD0950802SH	12	31	SS7120910SP	24	18	WS0510002KN	28	16
SD0991551SP	24	2	SS7121410SP	12	33	WZ1052010KP	14	48
SD1020961SP	22	49	SS7150740SP	26	5			
SD1020962SP	14	55	SS7150940SP	32	16			
SK3311600SE	30	6	SS7620750SP	12	38			
SK3482500SC	26	10	SS7681750TP	6	21			
SK3483201SE	24	36	SS8090670SP	18	10			
SM4051405SE	28	12	SS8110510SP	2	38			
SM6061610SC	28	6	SS8110510SP	16	17			
SS2090710SP	2	41	SS8110750SP	10	15			
SS2110920TP	2	30	SS8111251SP	2	31			
SS4080620TP	12	34	SS8150510TP	20	54			
SS5090610SP	2	34	SS8150510TP	22	54			
SS6060210SP	2	3	SS8150710SP	6	26			
SS6090670TP	8	13	SS8150710SP	12	65			
SS6110480SP	26	12	SS8150710SP	14	65			
SS6110710TP	14	69	SS8150710SP	16	11			
SS6111610SP	2	39	SS8150710SP	18	16			
SS6111620SP	16	12	SS8151150SP	6	18			
SS6121050SP	12	40	SS8151150SP	16	10			
SS6121210SP	12	43	SS8151550SP	6	41			
SS6121210SP	22	53	SS8151550SP	8	10			
SS6151220SP	12	39	SS8151780SP	6	25			
SS6151440SP	20	15	SS8620610TP	12	35			
SS6151920SP	14	61	SS8660530TP	14	68			
SS6661110SP	12	37	SS8660530TP	22	55			
SS7080510TP	8	9	SS8660610TP	6	29			
SS7090610SP	22	65	SS8660610TP	10	13			
SS7090620TP	2	33	SS8660610TP	14	52			