

MODEL : MO-3900 SUBCLASSES

List No : 0849-02

PARTS LIST

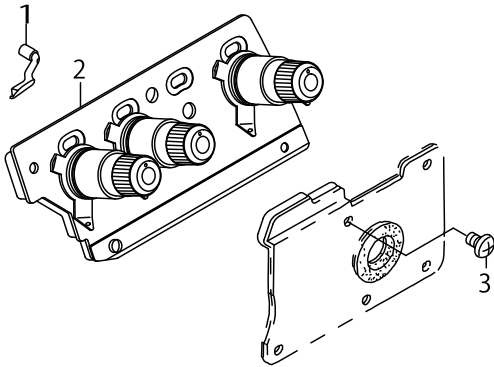
Published:05/12/2017

CONTENTS

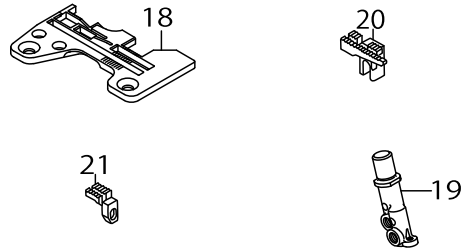
MO-3900 SUBCLASSES (1).....	1
MO-3900 SUBCLASSES (2).....	3
MO-3900 SUBCLASSES (3).....	5
MO-3900 SUBCLASSES (4).....	7
MO-3900 SUBCLASSES (5).....	9
MO-3900 SUBCLASSES (6).....	11
MO-3900 SUBCLASSES (7).....	13
MO-3900 SUBCLASSES (8).....	15
MO-3900 SUBCLASSES (9).....	17
MO-3900 SUBCLASSES (10).....	19
MO-3900 SUBCLASSES (11).....	21
MO-3900 SUBCLASSES (12).....	23
MO-3900 SUBCLASSES (13).....	27
MO-3900 SUBCLASSES (14).....	29
MO-3900 SUBCLASSES (15).....	31
MO-3900 SUBCLASSES (16).....	33
MO-3900 SUBCLASSES (17).....	35
MO-3900 SUBCLASSES (18).....	37
MO-3900 SUBCLASSES (19).....	39
MO-3900 SUBCLASSES (20).....	43
THREAD STAND COMPONENTS.....	47
HOW TO MAKE USE OF THIS PARTS LIST	49

MO-3900 SUBCLASSES (1)

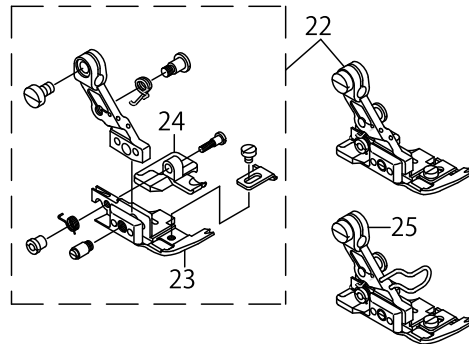
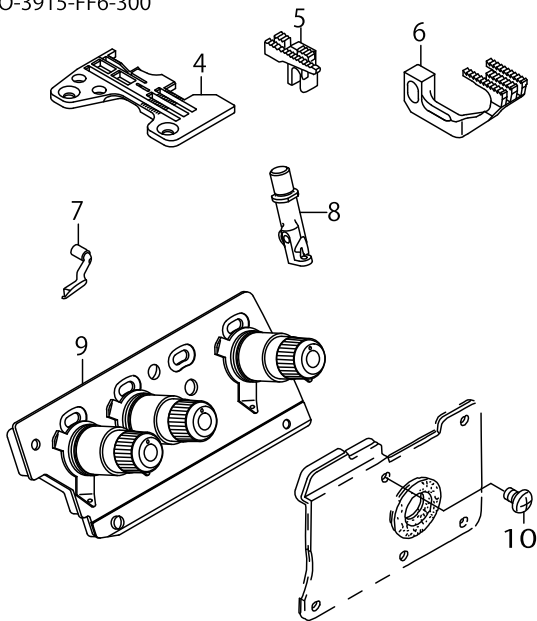
MO-3915-DE4-300



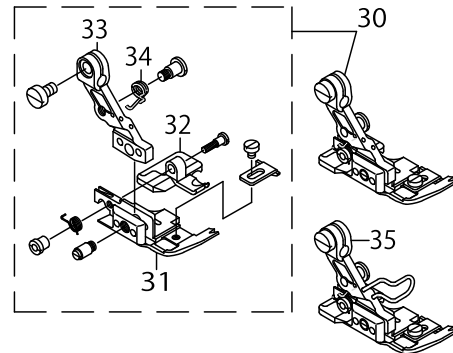
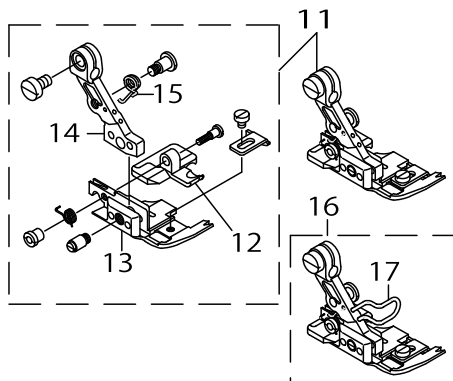
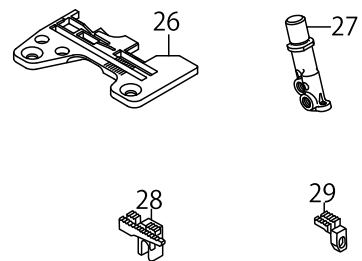
MO-3916-AE4-300



MO-3915-FF6-300



MO-3916-BD4-300

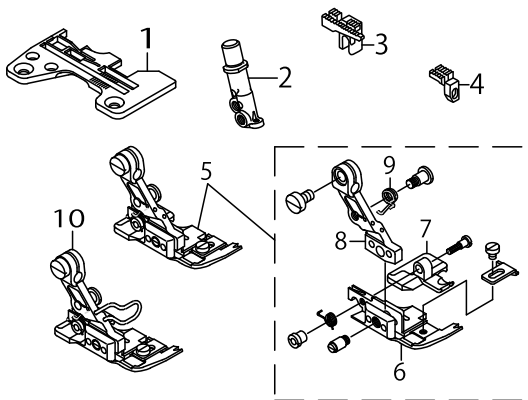


MO-3900 SUBCLASSES (1)

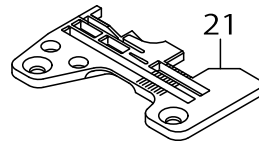
No.	Supply Code	Parts No.	Replacement	Parts name	Remarks	Choice	Step	Level	Cons	Qty	Rep. QTY
1		11888609		UPPER SPREADER						1	
2		12181160		THREAD GUIDE PLATE ASM.						1	
3		SM4040655SP		SCREW						1	
4	R	R4612J0FD00	R4612J6FD00	THROAT PLATE						1	1.00
5		11884004		MAIN FEED DOG						1	
6		12173308		DIFFERENTIAL FEED DOG						1	
7		11888609		UPPER SPREADER						1	
8	R	12150306	12257507	NEEDLE CLAMP, CHAIN LOOPER						1	1.00
9		12181160		THREAD GUIDE PLATE ASM.						1	
10		SM4040655SP		SCREW						1	
11	R	12154258	12154266	PRESSER FOOT ASM.						1	1.00
12	R	12165304	12154266	REARPRESSERFOOT				*		1	1.00
13	R	12162707	12154266	PRESSER FOOT				*		1	1.00
14		12157004		PRESSER FOOT HINGE				*		1	
15		12168001		PRESSER FOOT ARM SPRING, (B)				*		1	
16		12154266		PRESSER FOOT ASM.	FOR EXPORT					1	
17		12168209		FINGER GUARD				*		1	
18		R4504J0ED00		THROAT PLATE						1	
19	D	12149902		CHAIN LOOPER NEEDLE CLAMP						1	
20		11882602		MAIN FEED DOG						1	
21		11887304		AUXILIARY FEED DOG						1	
22	R	12153854	12153862	PRESSER FOOT ASM.						1	1.00
23	D	12162301		PRESSER FOOT						1	
24	D	12164901		REARPRESSERFOOT						1	
25	D	12153862		PRESSER FOOT ASM.	FOR EXPORT					1	
26		R4505J0DD00		THROAT PLATE						1	
27	D	12150009		CHAIN LOOPER NEEDLE CLAMP						1	
28		11882602		MAIN FEED DOG						1	
29		11887304		AUXILIARY FEED DOG						1	
30	R	12153953	12153961	PRESSER FOOT ASM.						1	1.00
31		12162400		PRESSER FOOT						1	
32	R	12165007	12153961	REARPRESSERFOOT						1	1.00
33		12157202		PRESSER FOOT HINGE						1	
34		12168308		PRESSER FOOT ARM SPRING, (C)						1	
35		12153961		PRESSER FOOT ASM.	FOR EXPORT					1	

MO-3900 SUBCLASSES (2)

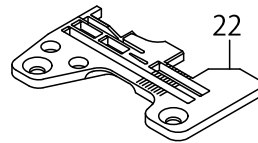
MO-3916-BE4-300



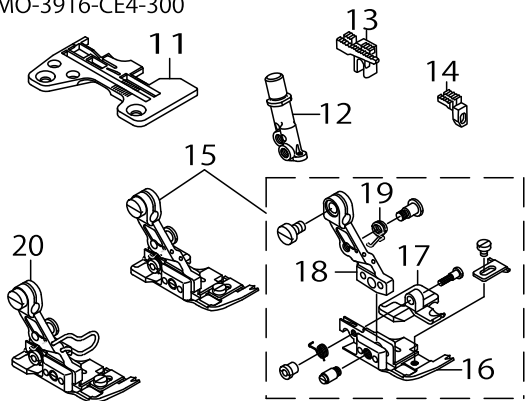
MO-3916-DD4-300



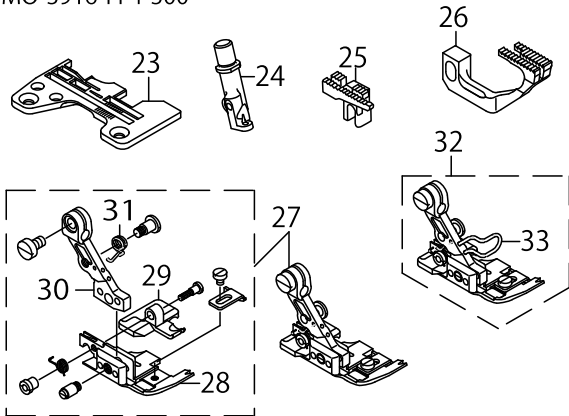
MO-3916-DF4-300



MO-3916-CE4-300



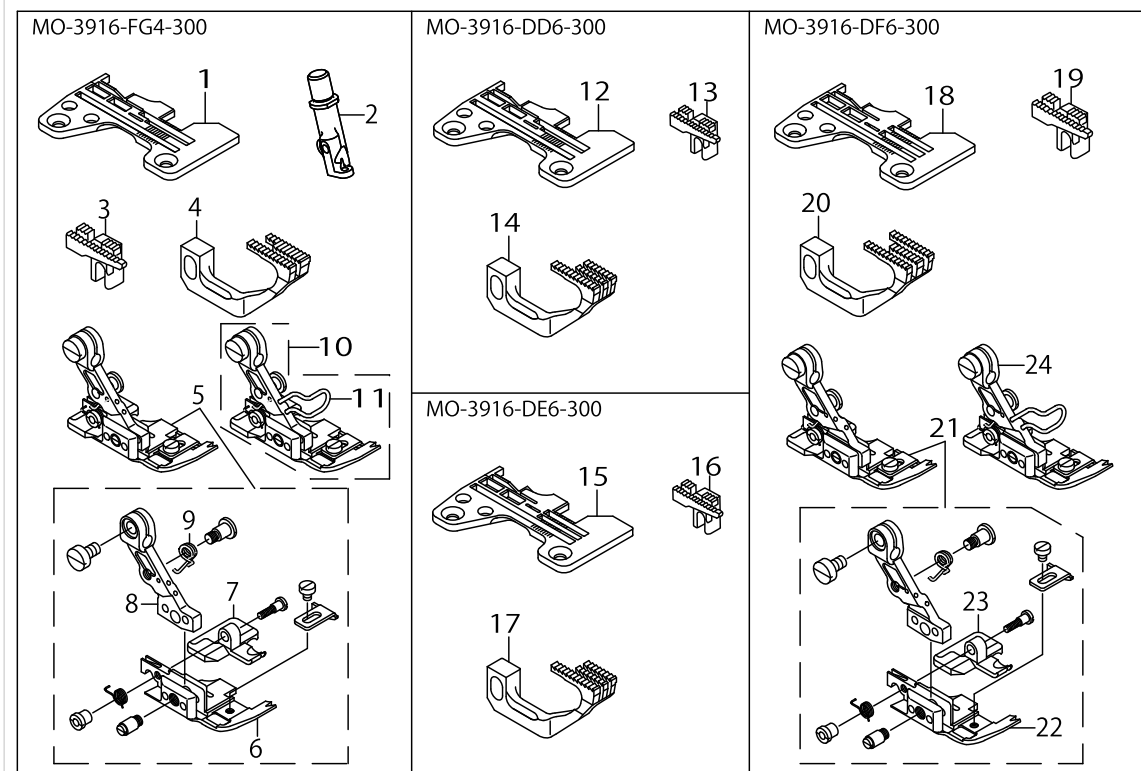
MO-3916-FF4-300



MO-3900 SUBCLASSES (2)

No.	Supply Code	Parts No.	Replacement	Parts name	Remarks	Choice	Step	Level	Cons	Qty	Rep. QTY
1	R	R4505J0ED00	R4505J6ED00	THROAT PLATE						1	1.00
2	D	12150009		CHAIN LOOPER NEEDLE CLAMP						1	
3		11882602		MAIN FEED DOG						1	
4		11887304		AUXILIARY FEED DOG						1	
5	R	12153953	12153961	PRESSER FOOT ASM.						1	1.00
6		12162400		PRESSER FOOT				*		1	
7	R	12165007	12153961	REARPRESSERFOOT				*		1	1.00
8		12157202		PRESSER FOOT HINGE				*		1	
9		12168308		PRESSER FOOT ARM SPRING, (C)				*		1	
10		12153961		PRESSER FOOT ASM.	FOR EXPORT					1	
11		R4506J0ED00		THROAT PLATE						1	
12	D	12150108		CHAIN LOOPER NEEDLE CLAMP						1	
13		11882602		MAIN FEED DOG						1	
14		11887304		AUXILIARY FEED DOG						1	
15	R	12154050	12154068	PRESSER FOOT ASM.						1	1.00
16		12162509		PRESSER FOOT				*		1	
17		12165106		REARPRESSERFOOT				*		1	
18		12157202		PRESSER FOOT HINGE				*		1	
19		12168308		PRESSER FOOT ARM SPRING, (C)				*		1	
20		12154068		PRESSER FOOT ASM.	FOR EXPORT					1	
21	R	R4508J0DD00	R4508J6DD00	THROAT PLATE						1	1.00
22	R	R4508J0FD00	R4508J6FD00	THROAT PLATE						1	1.00
23	R	R4508J0FD00	R4508J6FD00	THROAT PLATE						1	1.00
24	R	12150306	12257507	NEEDLE CLAMP, CHAIN LOOPER						1	1.00
25		11884004		MAIN FEED DOG						1	
26		12173100		DIFFERENTIAL FEED DOG						1	
27	R	12154258	12154266	PRESSER FOOT ASM.						1	1.00
28	R	12162707	12154266	PRESSER FOOT				*		1	1.00
29	R	12165304	12154266	REARPRESSERFOOT				*		1	1.00
30		12157004		PRESSER FOOT HINGE				*		1	
31		12168001		PRESSER FOOT ARM SPRING, (B)				*		1	
32		12154266		PRESSER FOOT ASM.	FOR EXPORT					1	
33		12168209		FINGER GUARD				*		1	

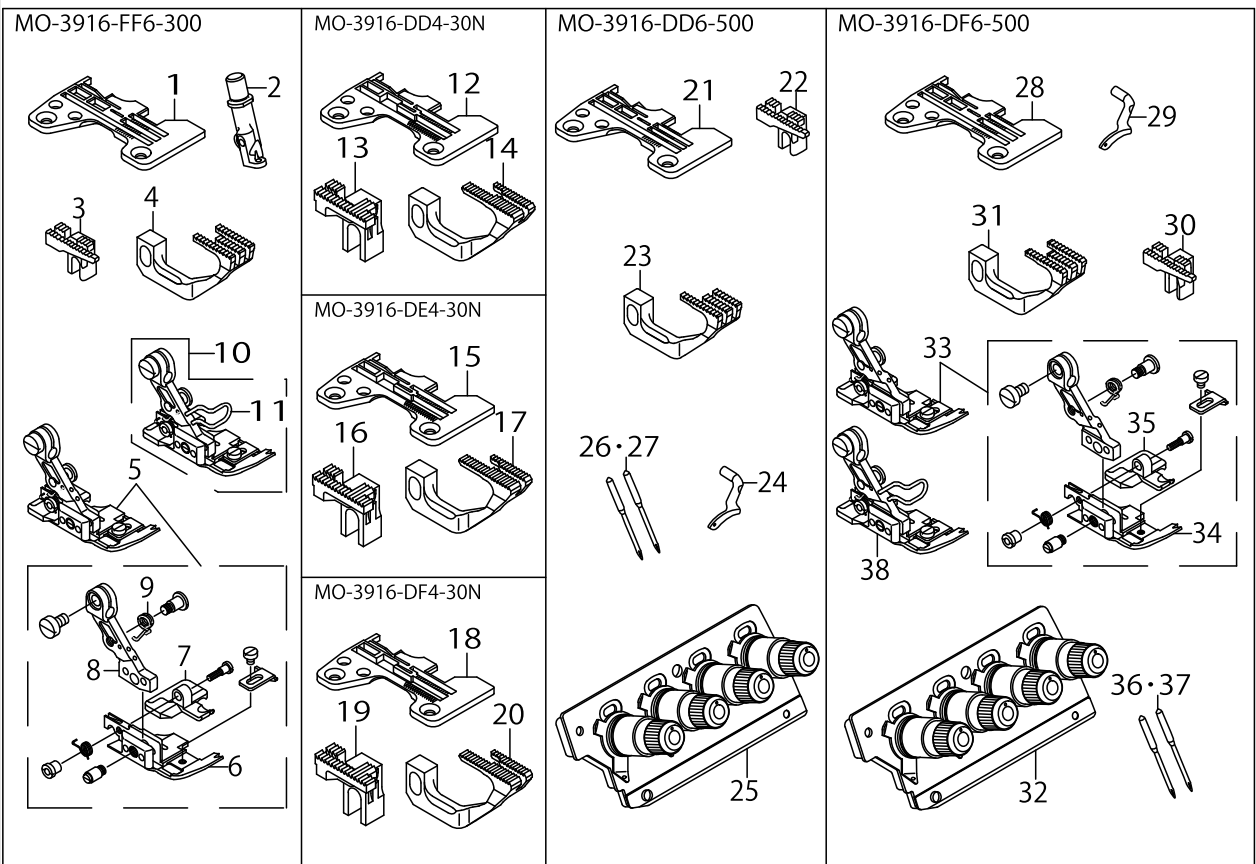
MO-3900 SUBCLASSES (3)



MO-3900 SUBCLASSES (3)

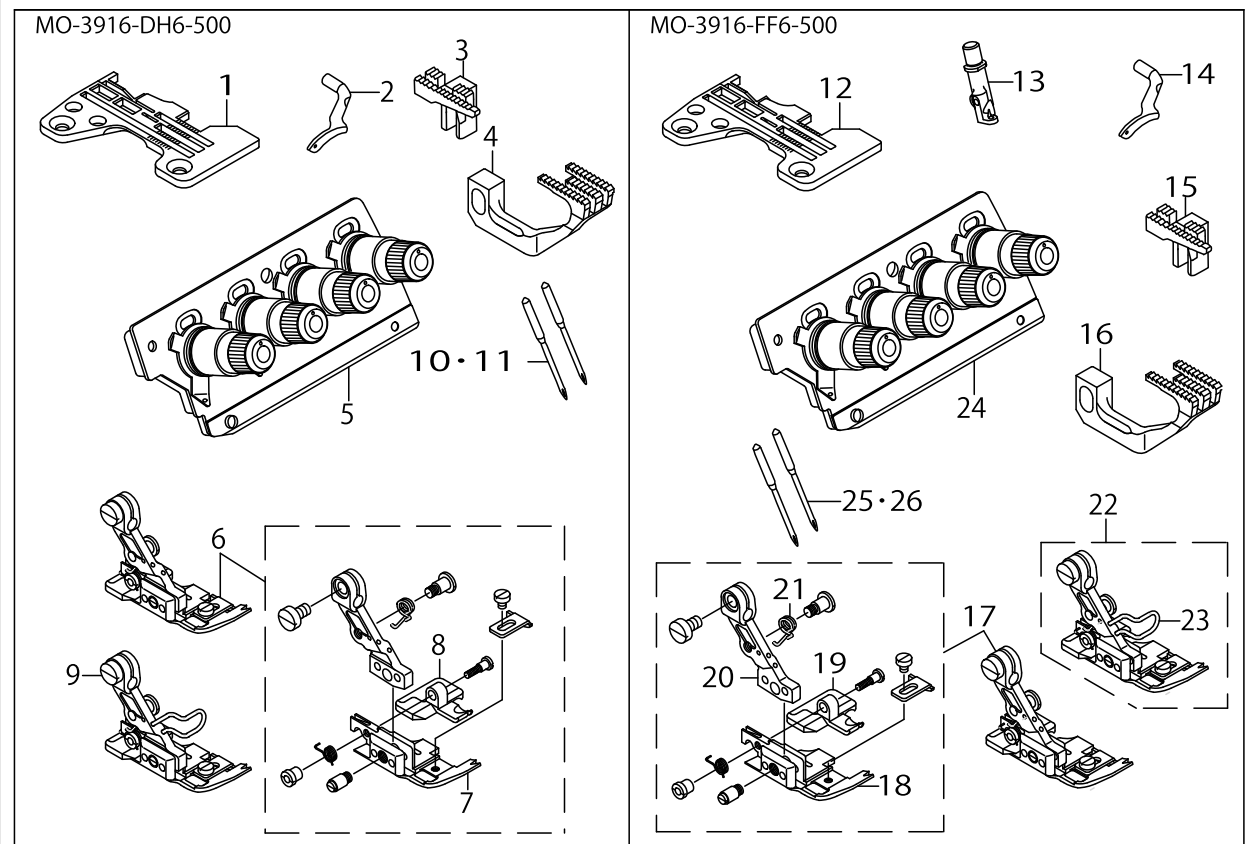
No.	Supply Code	Parts No.	Replacement	Parts name	Remarks	Choice	Step	Level	Cons	Qty	Rep. QTY
1		R4512J0GD00		THROAT PLATE						1	
2	R	12150306	12257507	NEEDLE CLAMP, CHAIN LOOPER						1	1.00
3		11884004		MAIN FEED DOG						1	
4		12173100		DIFFERENTIAL FEED DOG						1	
5	R	12154258	12154266	PRESSER FOOT ASM.						1	1.00
6	R	12162707	12154266	PRESSER FOOT				*		1	1.00
7	R	12165304	12154266	REARPRESSERFOOT				*		1	1.00
8		12157004		PRESSER FOOT HINGE				*		1	
9		12168001		PRESSER FOOT ARM SPRING, (B)				*		1	
10		12154266		PRESSER FOOT ASM.	FOR EXPORT					1	
11		12168209		FINGER GUARD				*		1	
12	R	R4608J0DD00	R4608J6DD00	THROAT PLATE						1	1.00
13		11882909		MAIN FEED DOG						1	
14		12173209		DIFFERENTIAL FEED DOG						1	
15	R	R4608J0ED00	R4608J6ED00	THROAT PLATE						1	1.00
16		11882909		MAIN FEED DOG						1	
17		12173209		DIFFERENTIAL FEED DOG						1	
18	R	R4608J0FD00	R4608J6FD00	THROAT PLATE						1	1.00
19		11987708		MAIN FEED DOG						1	
20		12173308		DIFFERENTIAL FEED DOG						1	
21	R	12154159	12154167	PRESSER FOOT ASM.						1	1.00
22	D	12162608		PRESSER FOOT				*		1	
23		12165205		REARPRESSERFOOT				*		1	
24		12154167		PRESSER FOOT ASM.	FOR EXPORT					1	

MO-3900 SUBCLASSES (4)



MO-3900 SUBCLASSES (4)

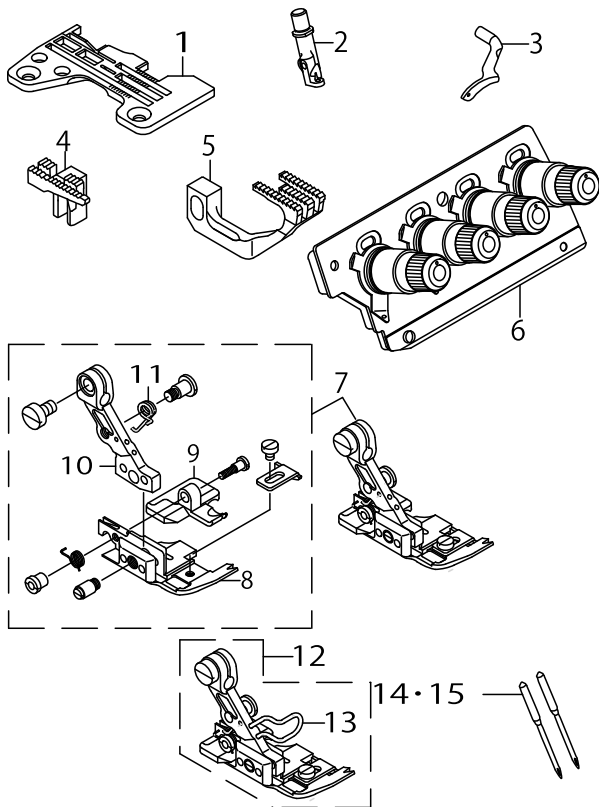
No.	Supply Code	Parts No.	Replacement	Parts name	Remarks	Choice	Step	Level	Cons	Qty	Rep. QTY
1	R	R4612J0FD00	R4612J6FD00	THROAT PLATE						1	1.00
2	R	12150306	12257507	NEEDLE CLAMP, CHAIN LOOPER						1	1.00
3		11884004		MAIN FEED DOG						1	
4		12173308		DIFFERENTIAL FEED DOG						1	
5	R	12154258	12154266	PRESSER FOOT ASM.						1	1.00
6	R	12162707	12154266	PRESSER FOOT				*		1	1.00
7	R	12165304	12154266	REARPRESSERFOOT				*		1	1.00
8		12157004		PRESSER FOOT HINGE				*		1	
9		12168001		PRESSER FOOT ARM SPRING, (B)				*		1	
10		12154266		PRESSER FOOT ASM.	FOR EXPORT					1	
11		12168209		FINGER GUARD				*		1	
12	D	R4508J0DD0E		THROAT PLATE						1	
13		12171302		MAIN FEED DOG						1	
14		12174306		SUB-FEED DOG						1	
15	D	R4508J0ED0D		THROAT PLATE						1	
16		12171302		MAIN FEED DOG						1	
17		12174306		SUB-FEED DOG						1	
18		R4508J0FD0B		THROAT PLATE						1	
19		12171302		MAIN FEED DOG						1	
20		12174306		SUB-FEED DOG						1	
21		R4608J0DF00		THROAT PLATE						1	
22		11980802		MAIN FEED DOG						1	
23		12173902		DIFFERENTIAL FEED DOG						1	
24		11999208		UPPER LOOPER						1	
25	D	12180865		THREAD GUIDE PLATE ASM.						1	
26		MDC270B1600		NEEDLE DCX27 #16						2	
27		MC033601000		NEEDLE B-27 NM100	FOR JE					2	
28	R	R4608J0FG00	R4608J6FG00	THROAT PLATE						1	1.00
29		11999208		UPPER LOOPER						1	
30		11884400		MAIN FEED DOG						1	
31		12173506		DIFFERENTIAL FEED DOG						1	
32	D	12180865		THREAD GUIDE PLATE ASM.						1	
33	R	12154159	12154167	PRESSER FOOT ASM.						1	1.00
34	D	12162608		PRESSER FOOT				*		1	
35		12165205		REARPRESSERFOOT				*		1	
36		MDC270B1600		NEEDLE DCX27 #16						2	
37		MC033601000		NEEDLE B-27 NM100	FOR JE					2	
38		12154167		PRESSER FOOT ASM.	FOR EXPORT					1	



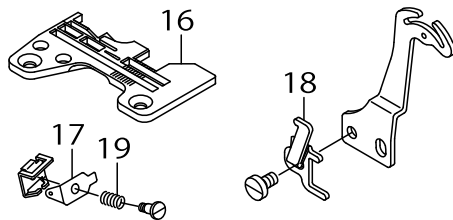
MO-3900 SUBCLASSES (5)

No.	Supply Code	Parts No.	Replacement	Parts name	Remarks	Choice	Step	Level	Cons	Qty	Rep. QTY
1		R4608J0HG00		THROAT PLATE						1	
2		11999208		UPPER LOOPER						1	
3		11884400		MAIN FEED DOG						1	
4		12173506		DIFFERENTIAL FEED DOG						1	
5	D	12180865		THREAD GUIDE PLATE ASM.						1	
6	R	12154159	12154167	PRESSER FOOT ASM.						1	1.00
7	D	12162608		PRESSER FOOT				*		1	
8		12165205		REARPRESSERFOOT				*		1	
9		12154167		PRESSER FOOT ASM.	FOR EXPORT					1	
10		MDC270B1600		NEEDLE DCX27 #16						2	
11		MC033601000		NEEDLE B-27 NM100	FOR JE					2	
12	R	R4612J0FG00	R4612J6FG00	THROAT PLATE						1	1.00
13	R	12150306	12257507	NEEDLE CLAMP, CHAIN LOOPER						1	1.00
14		11999208		UPPER LOOPER						1	
15		11883006		MAIN FEED DOG						1	
16		12173506		DIFFERENTIAL FEED DOG						1	
17	R	12154258	12154266	PRESSER FOOT ASM.						1	1.00
18	R	12162707	12154266	PRESSER FOOT				*		1	1.00
19	R	12165304	12154266	REARPRESSERFOOT				*		1	1.00
20		12157004		PRESSER FOOT HINGE				*		1	
21		12168001		PRESSER FOOT ARM SPRING, (B)				*		1	
22		12154266		PRESSER FOOT ASM.	FOR EXPORT					1	
23		12168209		FINGER GUARD				*		1	
24	D	12180865		THREAD GUIDE PLATE ASM.						1	
25		MDC270B1600		NEEDLE DCX27 #16						2	
26		MC033601000		NEEDLE B-27 NM100	FOR JE					2	

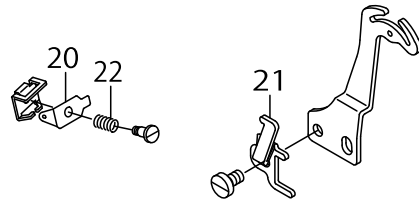
MO-3916-FH6-500



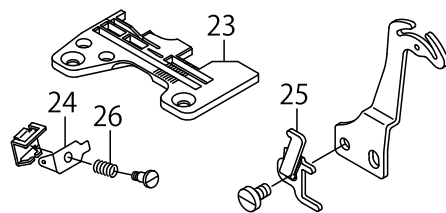
MO-3916A-DD4-300,MO-3916B-DD4-300



MO-3916A-DE4-300,MO-3916B-DE4-300



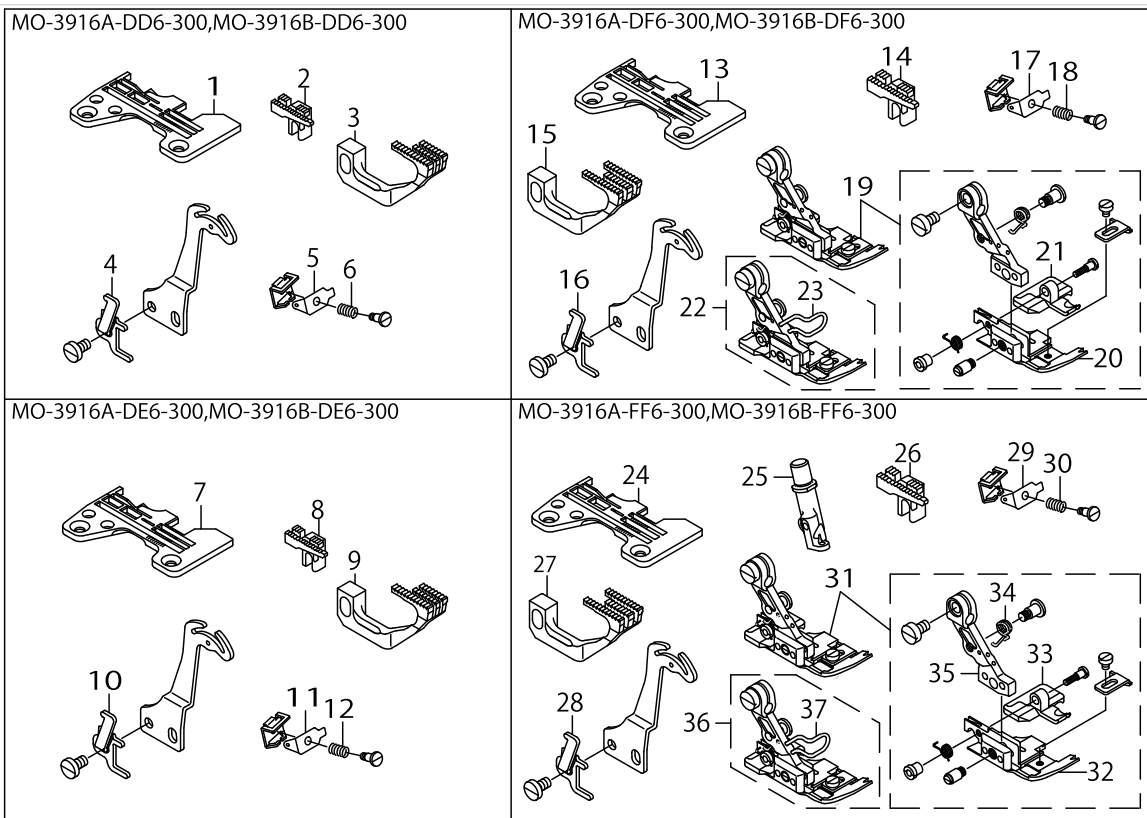
MO-3916A-DF4-300,MO-3916B-DF4-300



MO-3900 SUBCLASSES (6)

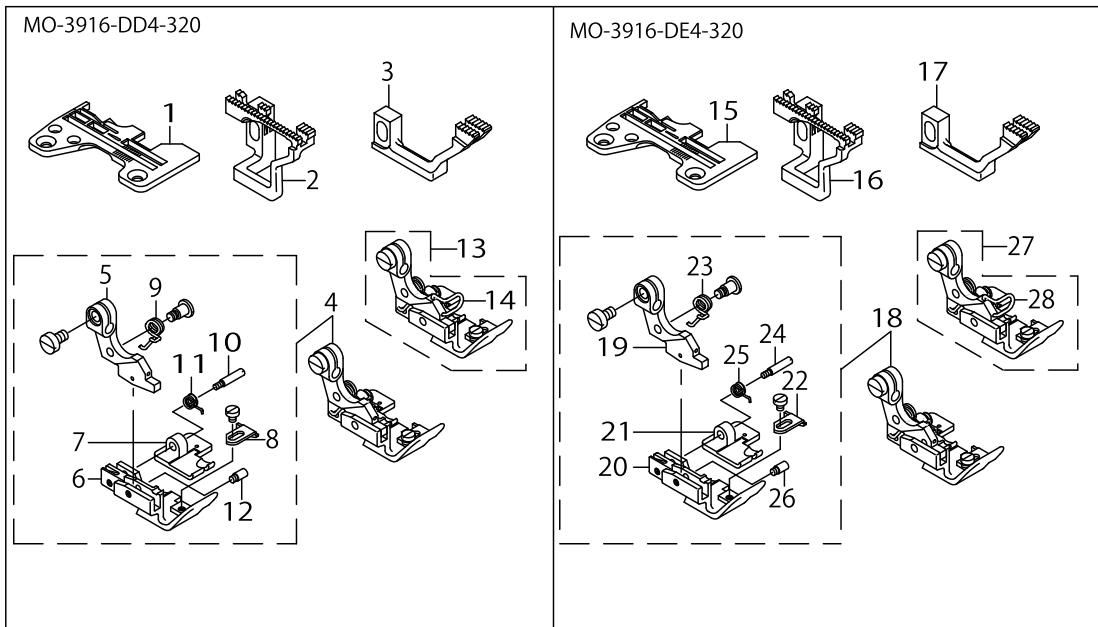
No.	Supply Code	Parts No.	Replacement	Parts name	Remarks	Choice	Step	Level	Cons	Qty	Rep. QTY
1	R	R4612J0HG00	R4612J6HG00	THROAT PLATE						1	1.00
2	R	12150306	12257507	NEEDLE CLAMP, CHAIN LOOPER						1	1.00
3		11999208		UPPER LOOPER						1	
4		11883006		MAIN FEED DOG						1	
5		12173506		DIFFERENTIAL FEED DOG						1	
6	D	12180865		THREAD GUIDE PLATE ASM.						1	
7	R	12154258	12154266	PRESSER FOOT ASM.						1	1.00
8	R	12162707	12154266	PRESSER FOOT				*		1	1.00
9	R	12165304	12154266	REARPRESSERFOOT				*		1	1.00
10		12157004		PRESSER FOOT HINGE				*		1	
11		12168001		PRESSER FOOT ARM SPRING, (B)				*		1	
12		12154266		PRESSER FOOT ASM.	FOR EXPORT					1	
13		12168209		FINGER GUARD				*		1	
14		MDC270B1600		NEEDLE DCX27 #16						2	
15		MC033601000		NEEDLE B-27 NM100	FOR JE					2	
16	R	R4508J0DD00	R4508J6DD00	THROAT PLATE						1	1.00
17		12112504		NEEDLE THREAD P-RESSER PLATE C						1	
18		12112603		DIFFERENTIAL FEED CAM						1	
19		12112702		NEEDLE THREAD P-RESSER SPRING B						1	
20		12112504		NEEDLE THREAD P-RESSER PLATE C						1	
21		12112603		DIFFERENTIAL FEED CAM						1	
22		12112702		NEEDLE THREAD P-RESSER SPRING B						1	
23	R	R4508J0FD00	R4508J6FD00	THROAT PLATE						1	1.00
24		12112504		NEEDLE THREAD P-RESSER PLATE C						1	
25		12112603		DIFFERENTIAL FEED CAM						1	
26		12112702		NEEDLE THREAD P-RESSER SPRING B						1	

MO-3900 SUBCLASSES (7)



MO-3900 SUBCLASSES (7)

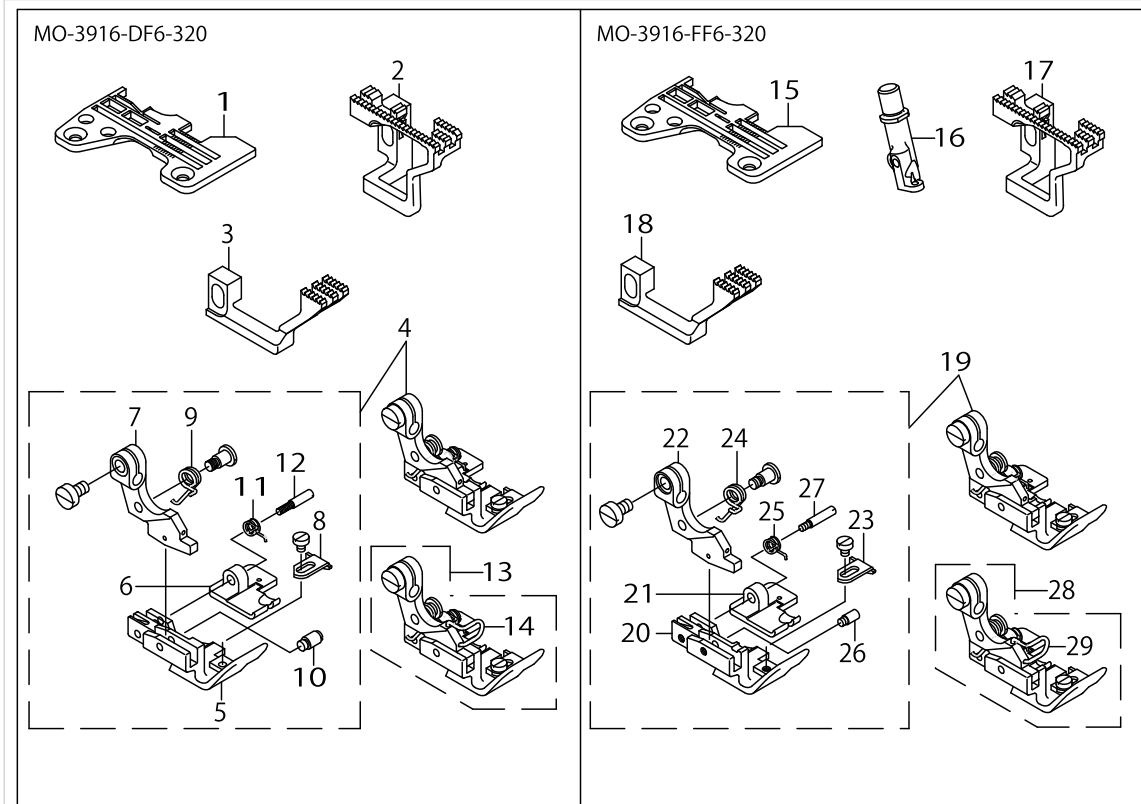
No.	Supply Code	Parts No.	Replacement	Parts name	Remarks	Choice	Step	Level	Cons	Qty	Rep. QTY
1	R	R4608J0DD00	R4608J6DD00	THROAT PLATE						1	1.00
2		11882909		MAIN FEED DOG						1	
3		12173209		DIFFERENTIAL FEED DOG						1	
4		12112603		DIFFERENTIAL FEED CAM						1	
5		12112504		NEEDLE THREAD P-RESSER PLATE C						1	
6		12112702		NEEDLE THREAD P-RESSER SPRING B						1	
7	R	R4608J0ED00	R4608J6ED00	THROAT PLATE						1	1.00
8		11882909		MAIN FEED DOG						1	
9		12173209		DIFFERENTIAL FEED DOG						1	
10		12112603		DIFFERENTIAL FEED CAM						1	
11		12112504		NEEDLE THREAD P-RESSER PLATE C						1	
12		12112702		NEEDLE THREAD P-RESSER SPRING B						1	
13	R	R4608J0FD00	R4608J6FD00	THROAT PLATE						1	1.00
14		11987708		MAIN FEED DOG						1	
15		12173308		DIFFERENTIAL FEED DOG						1	
16		12112603		DIFFERENTIAL FEED CAM						1	
17		12112504		NEEDLE THREAD P-RESSER PLATE C						1	
18		12112702		NEEDLE THREAD P-RESSER SPRING B						1	
19	R	12154159	12154167	PRESSER FOOT ASM.						1	1.00
20	D	12162608		PRESSER FOOT				*		1	
21		12165205		REARPRESSERFOOT				*		1	
22		12154167		PRESSER FOOT ASM.	FOR JE					1	
23		12168209		FINGER GUARD				*		1	
24	R	R4612J0FD00	R4612J6FD00	THROAT PLATE						1	1.00
25	R	12150306	12257507	NEEDLE CLAMP, CHAIN LOOPER						1	1.00
26		11884004		MAIN FEED DOG						1	
27		12173308		DIFFERENTIAL FEED DOG						1	
28		12112603		DIFFERENTIAL FEED CAM						1	
29		12112504		NEEDLE THREAD P-RESSER PLATE C						1	
30		12112702		NEEDLE THREAD P-RESSER SPRING B						1	
31	R	12154258	12154266	PRESSER FOOT ASM.						1	1.00
32	R	12162707	12154266	PRESSER FOOT				*		1	1.00
33	R	12165304	12154266	REARPRESSERFOOT				*		1	1.00
34		12168001		PRESSER FOOT ARM SPRING, (B)				*		1	
35		12157004		PRESSER FOOT HINGE				*		1	
36		12154266		PRESSER FOOT ASM.	FOR JE					1	
37		12168209		FINGER GUARD				*		1	



MO-3900 SUBCLASSES (8)

No.	Supply Code	Parts No.	Replacement	Parts name	Remarks	Choice	Step	Level	Cons	Qty	Rep. QTY
1	D	R4508J0DD0B		THROAT PLATE						1	
2		12170700		MAIN FEED DOG						1	
3		12172904		DIFFERENTIAL FEED DOG						1	
4	R	12154654	12154662	PRESSER FOOT ASM.						1	1.00
5		12157103		PRESSER FOOT HINGE				*		1	
6	D	12163101		FRONT PRESSER FOOT				*		1	
7		12165502		REARPRESSERFOOT				*		1	
8		12168100		CLOTH GUIDE				*		1	
9		B1515816000		PRESSER FOOT ARM SPRING				*		1	
10		11930807		HINGE PIN				*		1	
11		11991304		SPRING				*		1	
12		11993508		PRESSER FOOT HINGE PIN				*		1	
13		12154662		PRESSER FOOT ASM.	FOR EXPORT					1	
14		11820800		FINGER GUARD				*		1	
15	R	R4508J0ED0B	R4508J6ED0B	THROAT PLATE						1	1.00
16		12170700		MAIN FEED DOG						1	
17		12172904		DIFFERENTIAL FEED DOG						1	
18	R	12154654	12154662	PRESSER FOOT ASM.						1	1.00
19		12157103		PRESSER FOOT HINGE				*		1	
20	D	12163101		FRONT PRESSER FOOT				*		1	
21		12165502		REARPRESSERFOOT				*		1	
22		12168100		CLOTH GUIDE				*		1	
23		B1515816000		PRESSER FOOT ARM SPRING				*		1	
24		11930807		HINGE PIN				*		1	
25		11991304		SPRING				*		1	
26		11993508		PRESSER FOOT HINGE PIN				*		1	
27		12154662		PRESSER FOOT ASM.	FOR EXPORT					1	
28		11820800		FINGER GUARD				*		1	

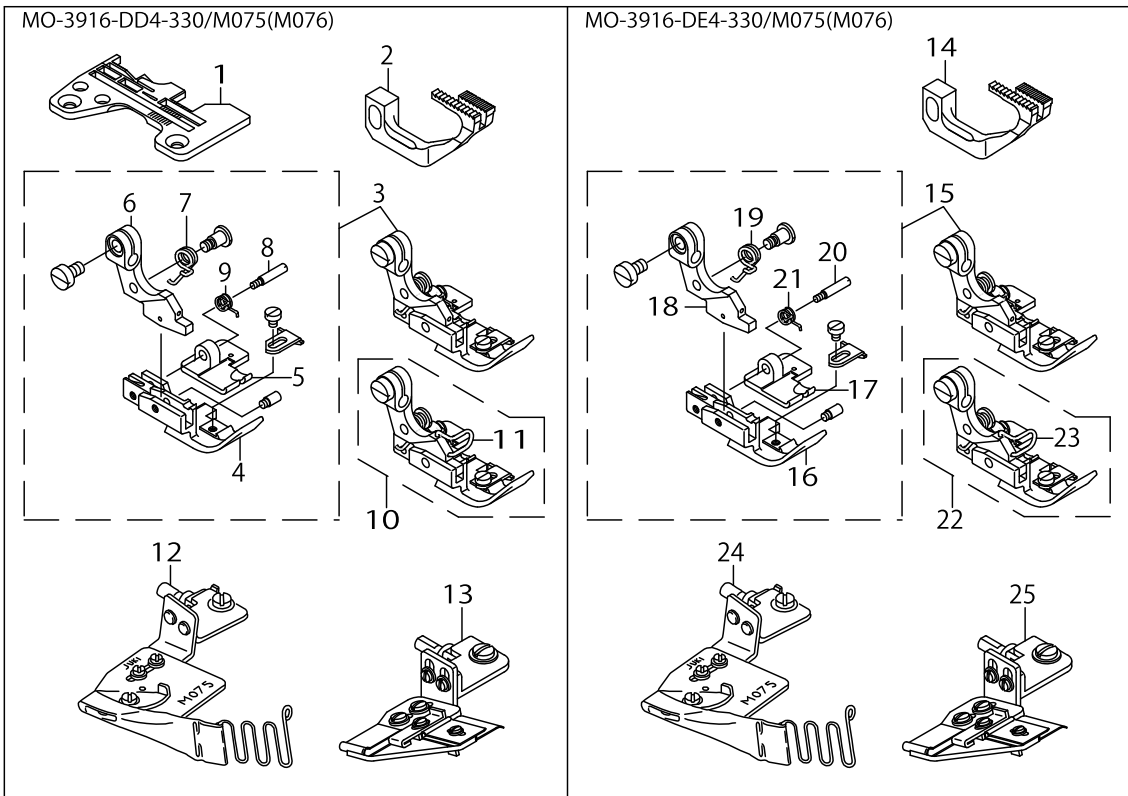
MO-3900 SUBCLASSES (9)



MO-3900 SUBCLASSES (9)

No.	Supply Code	Parts No.	Replacement	Parts name	Remarks	Choice	Step	Level	Cons	Qty	Rep. QTY
1		R4608J0FD0A		THROAT PLATE						1	
2		12170809		MAIN FEED DOG						1	
3		12173407		DIFFERENTIAL FEED DOG						1	
4	R	12154753	12154761	PRESSER FOOT ASM.						1	1.00
5		12163200		FRONT PRESSER FOOT				*		1	
6		12165502		REARPRESSERFOOT				*		1	
7		12168100		CLOTH GUIDE				*		1	
8		B1515816000		PRESSER FOOT ARM SPRING				*		1	
9		12157103		PRESSER FOOT HINGE				*		1	
10		11993508		PRESSER FOOT HINGE PIN				*		1	
11		11991304		SPRING				*		1	
12		11930807		HINGE PIN				*		1	
13	D	12154761		PRESSER FOOT ASM.	FOR EXPORT					1	
14		11820800		FINGER GUARD				*		1	
15	R	R4612J0FD0A	R4612J6FD0A	THROAT PLATE						1	1.00
16	R	12150306	12257507	NEEDLE CLAMP, CHAIN LOOPER						1	1.00
17		12170908		MAIN FEED DOG						1	
18		12173407		DIFFERENTIAL FEED DOG						1	
19	R	12154852	12154860	PRESSER FOOT ASM.						1	1.00
20	R	12163309	12154860	PRESSER FOOT				*		1	1.00
21		11991205		REARPRESSERFOOT				*		1	
22	R	11991015	11991023	PRESSER FOOT HINGE				*		1	1.00
23		12168100		CLOTH GUIDE				*		1	
24		B151581600B		PRESSER FOOT ARM SPRING B				*		1	
25		11993508		PRESSER FOOT HINGE PIN				*		1	
26		11991304		SPRING				*		1	
27		11930807		HINGE PIN				*		1	
28		12154860		PRESSER FOOT ASM.	FOR EXPORT					1	
29		11820800		FINGER GUARD				*		1	

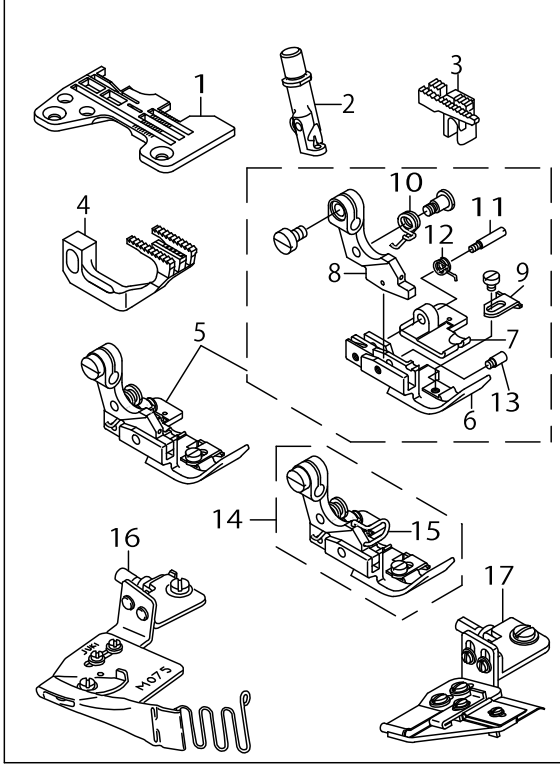
MO-3900 SUBCLASSES (10)



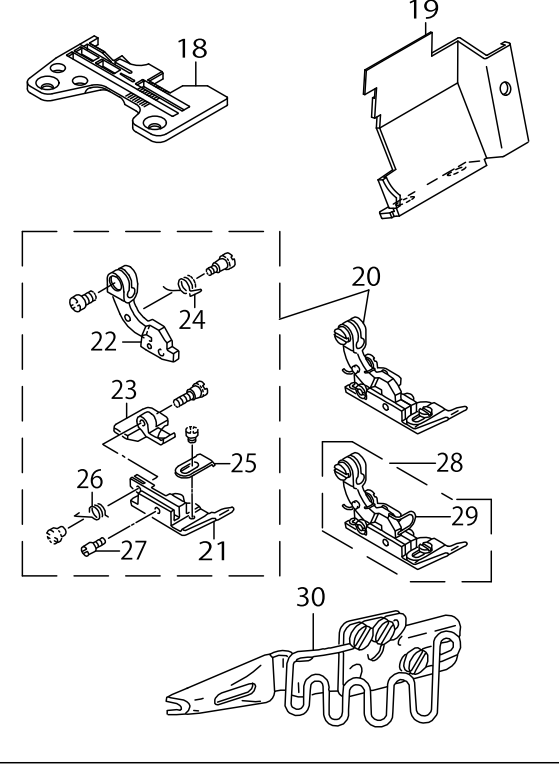
MO-3900 SUBCLASSES (10)

No.	Supply Code	Parts No.	Replacement	Parts name	Remarks	Choice	Step	Level	Cons	Qty	Rep. QTY
1	R	R4508J0DD00	R4508J6DD00	THROAT PLATE						1	1.00
2		12173001		DIFFERENTIAL FEED DOG						1	
3	R	12155156	12155164	PRESSER FOOT ASM.						1	1.00
4		12163606		FRONT PRESSER FOOT				*		1	
5	D	12165700		REARPRESSERFOOT				*		1	
6		12157103		PRESSER FOOT HINGE				*		1	
7		B1515816000		PRESSER FOOT ARM SPRING				*		1	
8		11930807		HINGE PIN				*		1	
9		11991304		SPRING				*		1	
10		12155164		PRESSER FOOT ASM.	FOR EXPORT					1	
11		11820800		FINGER GUARD				*		1	
12		MAM0750J0A0		PIPING FOLDER ASM. 9MM	FOR M075					1	
13		MAM0760N0A0		PIPING GUIDE ASM. 13MM	FOR M076					1	
14		12173001		DIFFERENTIAL FEED DOG						1	
15	R	12155156	12155164	PRESSER FOOT ASM.						1	1.00
16		12163606		FRONT PRESSER FOOT				*		1	
17	D	12165700		REARPRESSERFOOT				*		1	
18		12157103		PRESSER FOOT HINGE				*		1	
19		B1515816000		PRESSER FOOT ARM SPRING				*		1	
20		11930807		HINGE PIN				*		1	
21		11991304		SPRING				*		1	
22		12155164		PRESSER FOOT ASM.	FOR EXPORT					1	
23		11820800		FINGER GUARD				*		1	
24		MAM0750J0A0		PIPING FOLDER ASM. 9MM	FOR M075					1	
25		MAM0760N0A0		PIPING GUIDE ASM. 13MM	FOR M076					1	

MO-3916-FF6-330/M075(M076)



MO-3916-DD4-360/N067

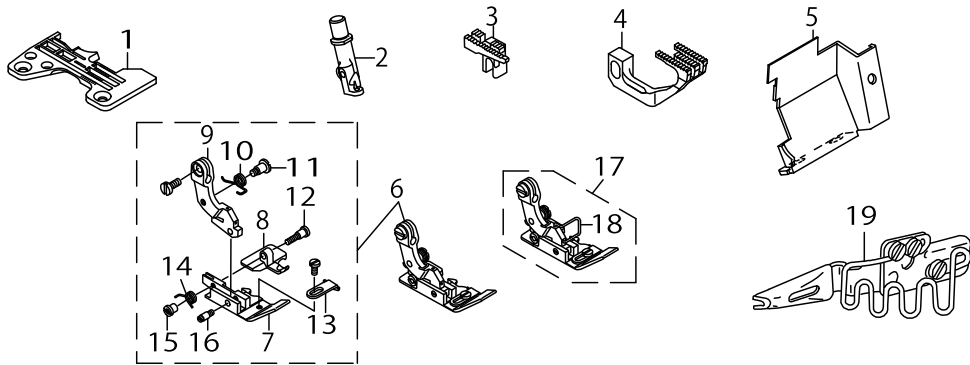


MO-3900 SUBCLASSES (11)

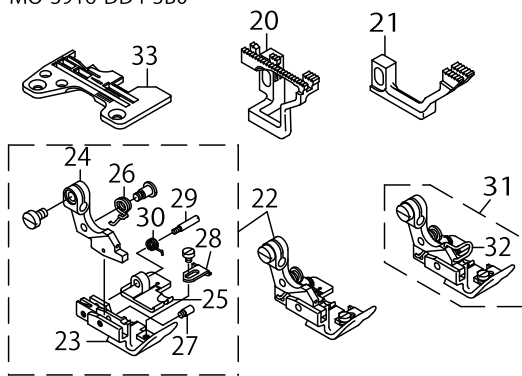
No.	Supply Code	Parts No.	Replacement	Parts name	Remarks	Choice	Step	Level	Cons	Qty	Rep. QTY
1	R	R4612J0FD00	R4612J6FD00	THROAT PLATE						1	1.00
2	R	12150306	12257507	NEEDLE CLAMP, CHAIN LOOPER						1	1.00
3		11884004		MAIN FEED DOG						1	
4	D	12173605		DIFFERENTIAL FEED DOG						1	
5	R	12155255	12155263	PRESSER FOOT ASM.						1	1.00
6		12163705		FRONT PRESSER FOOT				*		1	
7	D	12165809		REARPRESSERFOOT				*		1	
8	R	11991015	11991023	PRESSER FOOT HINGE				*		1	1.00
9		12168100		CLOTH GUIDE				*		1	
10		11991304		SPRING				*		1	
11		11930807		HINGE PIN				*		1	
12		B151581600B		PRESSER FOOT ARM SPRING B				*		1	
13		11993508		PRESSER FOOT HINGE PIN				*		1	
14		12155263		PRESSER FOOT ASM.	FOR EXPORT					1	
15		11820800		FINGER GUARD				*		1	
16		MAM0750J0A0		PIPING FOLDER ASM. 9MM	FOR M075					1	
17		MAM0760N0A0		PIPING GUIDE ASM. 13MM	FOR M076					1	
18	D	R4508J0DD0B		THROAT PLATE						1	
19	R	12148003	13105309	CLOTH WASTE COVER						1	1.00
20	R	11879855	11879863	PRESSER FOOT ASM.						1	1.00
21	D	MAT80106N00		HINGED TYPE PRESSER FOOT				*		1	
22		11872108		PRESSER FOOT HINGE				*		1	
23	D	11875309		REARPRESSERFOOT				*		1	
24		B1515816000		PRESSER FOOT ARM SPRING				*		1	
25		B1530816D00		AUXILIARY STOPPER				*		1	
26		B1512816000		SPRING, FOR REAR PRESSER FOOT				*		1	
27		B1510816000		HINGE PIN				*		1	
28	D	11879863		PRESSER FOOT ASM.	FOR EXPORT					1	
29		11820800		FINGER GUARD				*		1	
30	R	MAN067000A0	MAN0670D0A0	TAPE OVEREDGING BINDER ASM.						1	1.00

MO-3900 SUBCLASSES (12)

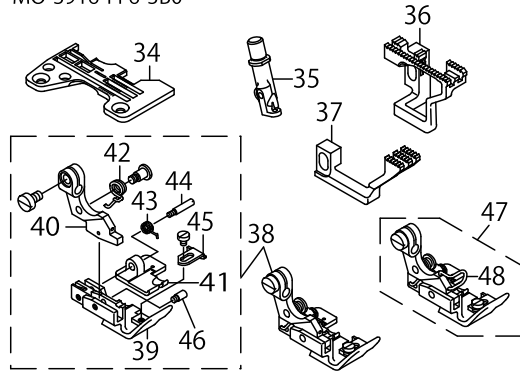
MO-3916-FF6-360/N067D



MO-3916-DD4-3B0



MO-3916-FF6-3B0

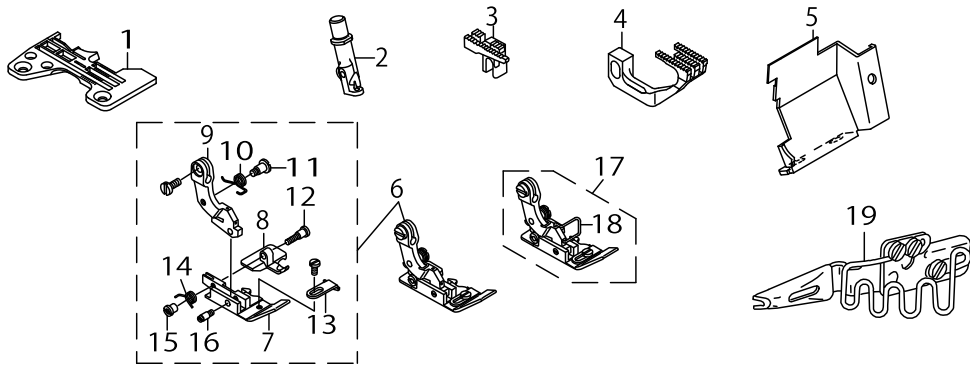


MO-3900 SUBCLASSES (12)

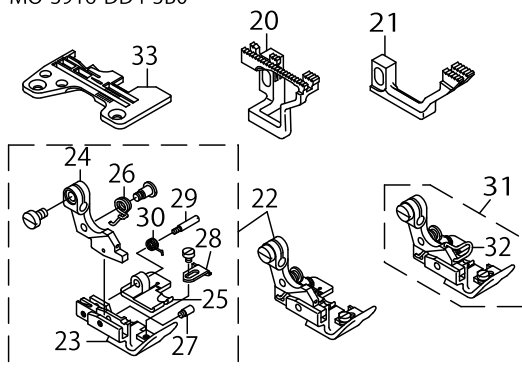
No.	Supply Code	Parts No.	Replacement	Parts name	Remarks	Choice	Step	Level	Cons	Qty	Rep. QTY
1		R4612J0FD0B		THROAT PLATE						1	
2	R	12150306	12257507	NEEDLE CLAMP, CHAIN LOOPER						1	1.00
3		11884004		MAIN FEED DOG						1	
4		12173308		DIFFERENTIAL FEED DOG						1	
5	R	12148003	13105309	CLOTH WASTE COVER						1	1.00
6	R	11985959	11985967	PRESSER ASM.						1	1.00
7	R	11985900	11985967	PRESSER FOOT				*		1	1.00
8		11875507		REARPRESSERFOOT				*		1	
9		11872207		PRESSER FOOT HINGE				*		1	
10		B151581600B		PRESSER FOOT ARM SPRING B				*		1	
11		B1514816000		SCREW				*		1	
12		B1511816000		HINGE SCREW				*		1	
13		B1530816D00		AUXILIARY STOPPER				*		1	
14		B1512816000		SPRING, FOR REAR PRESSER FOOT				*		1	
15		B1513816000		NUT, FOR REAR PRESSER FOOT				*		1	
16		B1510816000		HINGE PIN				*		1	
17	D	11985967		PRESSER FOOT ASM.	FOR EXPORT					1	
18		11820800		FINGER GUARD				*		1	
19		MAN0670D0A0		TAPE ATTACHING BINDER						1	
20		12170700		MAIN FEED DOG						1	
21		12172904		DIFFERENTIAL FEED DOG						1	
22	R	12155354	12155362	PRESSER FOOT ASM.						1	1.00
23	D	12163804		FRONT PRESSER FOOT				*		1	
24		12157103		PRESSER FOOT HINGE				*		1	
25	D	12165700		REARPRESSERFOOT				*		1	
26		B1515816000		PRESSER FOOT ARM SPRING				*		1	
27		11993508		PRESSER FOOT HINGE PIN				*		1	
28		12168100		CLOTH GUIDE				*		1	
29		11930807		HINGE PIN				*		1	
30		11991304		SPRING				*		1	
31	D	12155362		PRESSER FOOT ASM.	FOR EXPORT					1	
32		11820800		FINGER GUARD				*		1	
33	R	R4508J0DD00	R4508J6DD00	THROAT PLATE						1	1.00
34	R	R4612J0FD00	R4612J6FD00	THROAT PLATE						1	1.00
35	R	12150306	12257507	NEEDLE CLAMP, CHAIN LOOPER						1	1.00
36		12171005		MAIN FEED DOG						1	
37		12173407		DIFFERENTIAL FEED DOG						1	
38	R	12155453	12155461	PRESSER FOOT ASM.						1	1.00
39		12163903		FRONT PRESSER FOOT				*		1	
40	R	11991015	11991023	PRESSER FOOT HINGE				*		1	1.00
41	D	12165809		REARPRESSERFOOT				*		1	
42		B151581600B		PRESSER FOOT ARM SPRING B				*		1	
43		11991304		SPRING				*		1	
44		11930807		HINGE PIN				*		1	
45		12168100		CLOTH GUIDE				*		1	
46		11993508		PRESSER FOOT HINGE PIN				*		1	

MO-3900 SUBCLASSES (12)

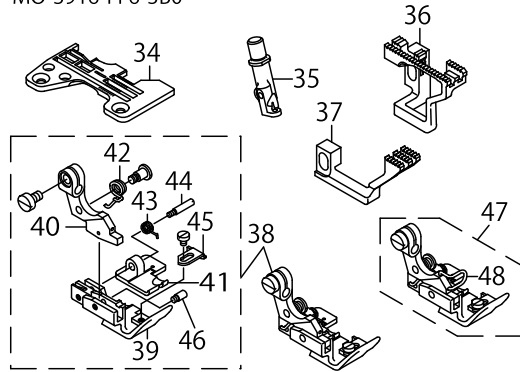
MO-3916-FF6-360/N067D



MO-3916-DD4-3B0



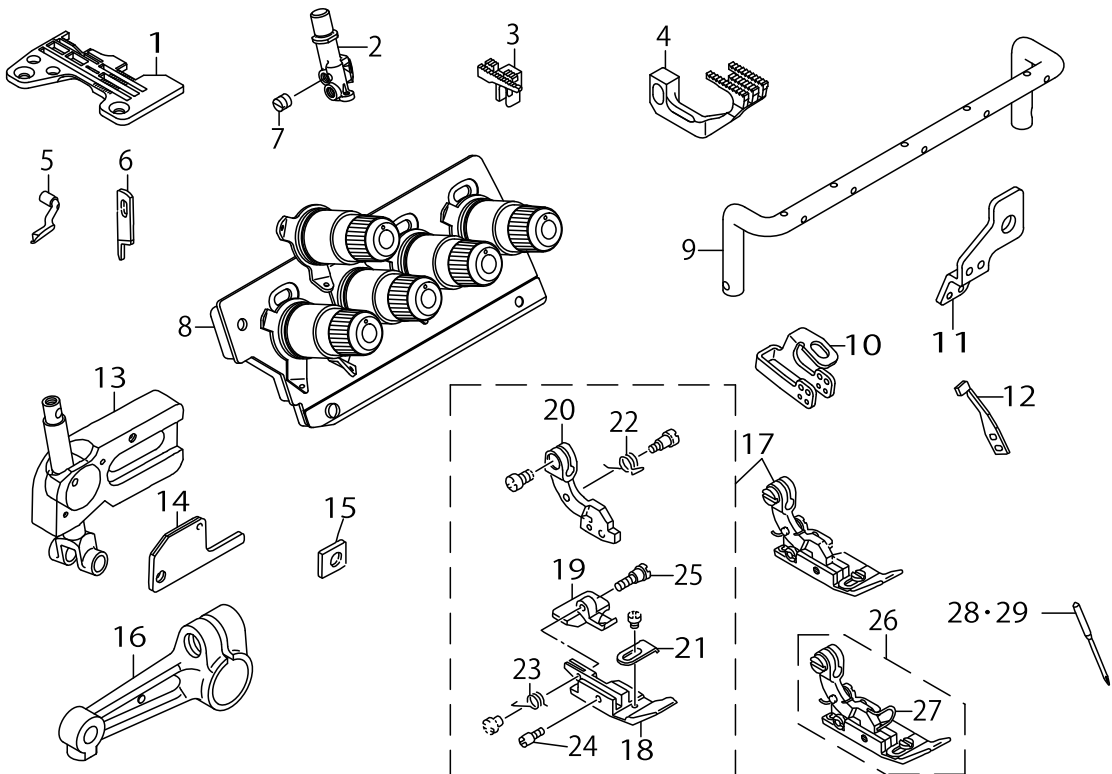
MO-3916-FF6-3B0



MO-3900 SUBCLASSES (12)

No.	Supply Code	Parts No.	Replacement	Parts name	Remarks	Choice	Step	Level	Cons	Qty	Rep. QTY
47	D	12155461		PRESSER FOOT ASM.	FOR EXPORT					1	
48		11820800		FINGER GUARD				*		1	

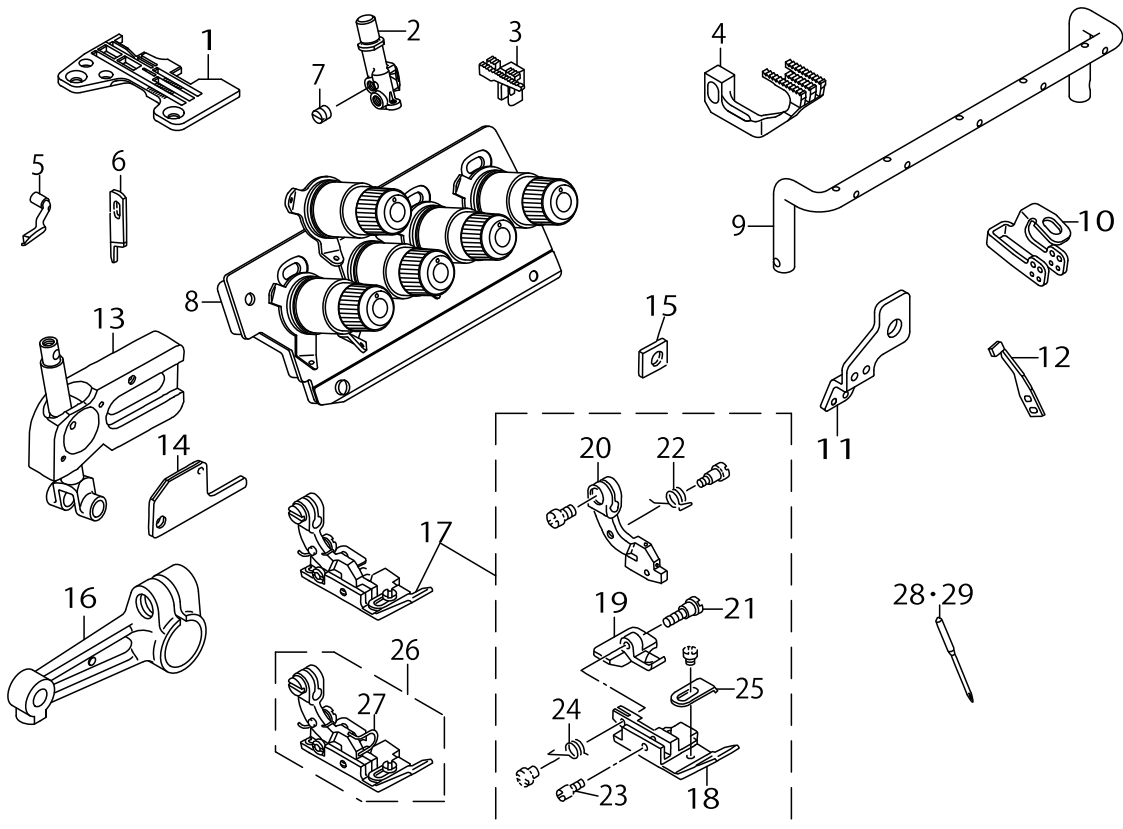
MO-3943-DBD6-307



MO-3900 SUBCLASSES (13)

No.	Supply Code	Parts No.	Replacement	Parts name	Remarks	Choice	Step	Level	Cons	Qty	Rep. QTY
1	R	R4608J0DE01	R4608J6DE01	THROAT PLATE						1	1.00
2		12150504		CHAIN LOOPER NEEDLE CLAMP						1	
3		11882305		MAIN FEED DOG						1	
4		12173308		DIFFERENTIAL FEED DOG						1	
5		12176004		UPPER LOOPER						1	
6		11845609		KNIFE	FOR DOME- STIC USE					1	
7		SS8080310TP		SCREW 1/8-44 L=2.8						1	
8		12180964		THREAD GUIDE PLATE ASM.						1	
9		12128401		THREAD GUIDE						1	
10		12146403		NEEDLE THREAD G- UIDE, 3-NEEDLE						1	
11		12111902		TAKE-UP LEVER G- UIDE, 2-NEEDLE						1	
12		11999406		NEEDLE HOLDER						1	
13	R	12123154	40016841	UPPER LOOPER GUIDE ASM., B						1	1.00
14		B251570400B		UPPER LOOPER GUIDE COVER B						1	
15	R	11831807	13131909	GAUGE						1	1.00
16	R	12122800	12284550	UPPER LOOPER ARM B						1	1.00
17	R	11877958	11877966	PRESSER FOOT ASM.						1	1.00
18	R	B1507843D00	11877966	PRESSER FOOT					*	1	1.00
19		11875408		REARPRESSERFOOT					*	1	
20		11872108		PRESSER FOOT HINGE					*	1	
21		B1530816D00		AUXILIARY STOPPER					*	1	
22		B1515816000		PRESSER FOOT ARM SPRING					*	1	
23		B1512816000		SPRING, FOR REAR PRESSER FOOT					*	1	
24		B1510816000		HINGE PIN					*	1	
25		B1511816000		HINGE SCREW					*	1	
26		11877966		PRESSER FOOT ASM.	FOR EXPORT					1	
27		11820800		FINGER GUARD					*	1	
28		MDC270B1100		NEEDLE DCX27 #11						1	
29	D	MC033600750		NEEDLE B-27 NM75	FOR JE					1	

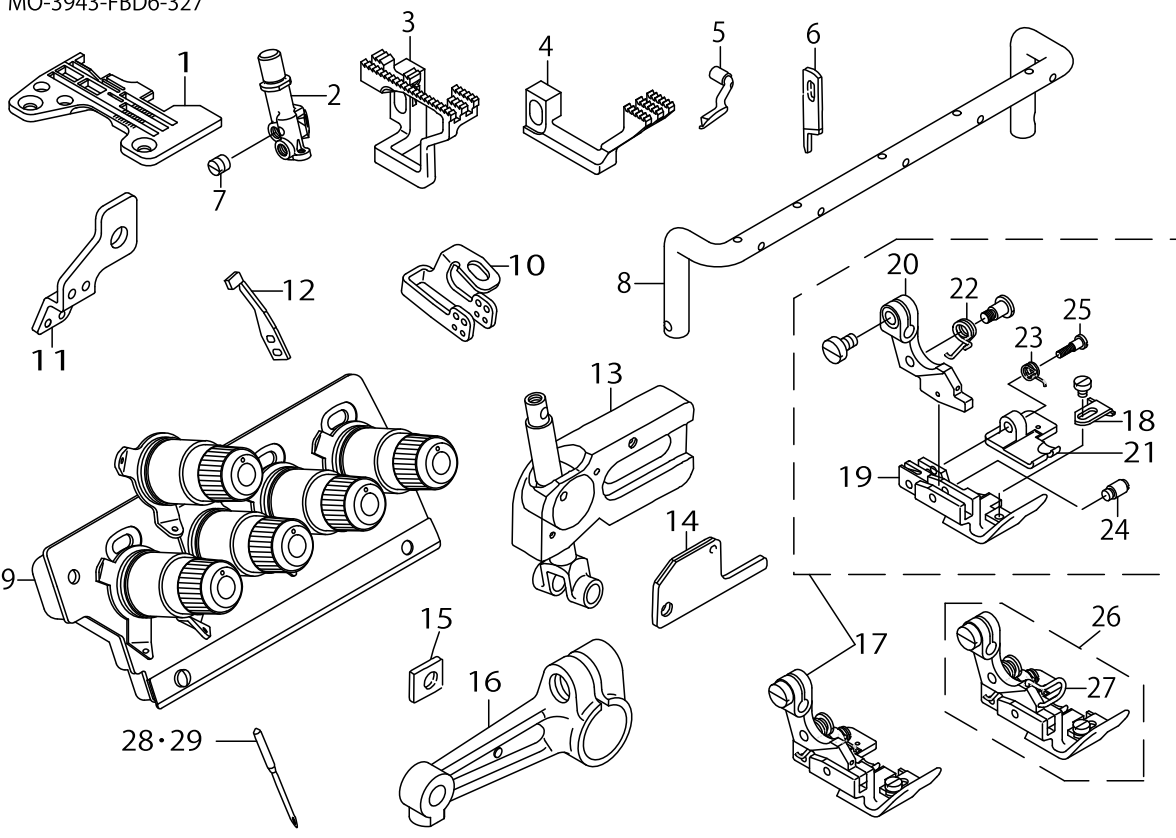
MO-3943-FBD6-307



MO-3900 SUBCLASSES (14)

No.	Supply Code	Parts No.	Replacement	Parts name	Remarks	Choice	Step	Level	Cons	Qty	Rep. QTY
1	R	R4612J0DE01	R4612J6DE01	THROAT PLATE						1	1.00
2	R	12150603	12275004	CHAIN LOOPER NEEDLE CLAMP						1	1.00
3		11884004		MAIN FEED DOG						1	
4		12173308		DIFFERENTIAL FEED DOG						1	
5		12176004		UPPER LOOPER						1	
6		11845609		KNIFE	FOR DOME- STIC USE					1	
7		SS8080310TP		SCREW 1/8-44 L=2.8						1	
8		12180964		THREAD GUIDE PLATE ASM.						1	
9		12128401		THREAD GUIDE						1	
10		12146403		NEEDLE THREAD G- UIDE, 3-NEEDLE						1	
11		12111902		TAKE-UP LEVER G- UIDE, 2-NEEDLE						1	
12		11999406		NEEDLE HOLDER						1	
13	R	12123154	40016841	UPPER LOOPER GUIDE ASM., B						1	1.00
14		B251570400B		UPPER LOOPER GUIDE COVER B						1	
15	R	11831807	13131909	GAUGE						1	1.00
16	R	12122800	12284550	UPPER LOOPER ARM B						1	1.00
17	R	11878055	11878063	PRESSER FOOT ASM.						1	1.00
18	R	B1507843F00	B1507843FB0	PRESSER FOOT				*		1	1.00
19		11875507		REARPRESSERFOOT				*		1	
20		11872207		PRESSER FOOT HINGE				*		1	
21		B1511816000		HINGE SCREW				*		1	
22		B151581600B		PRESSER FOOT ARM SPRING B				*		1	
23		B1510816000		HINGE PIN				*		1	
24		B1512816000		SPRING, FOR REAR PRESSER FOOT				*		1	
25		B1530816D00		AUXILIARY STOPPER				*		1	
26		11878063		PRESSER FOOT ASM.	FOR EXPORT					1	
27		11820800		FINGER GUARD				*		1	
28		MDC270B1100		NEEDLE DCX27 #11						1	
29	D	MC033600750		NEEDLE B-27 NM75	FOR JE					1	

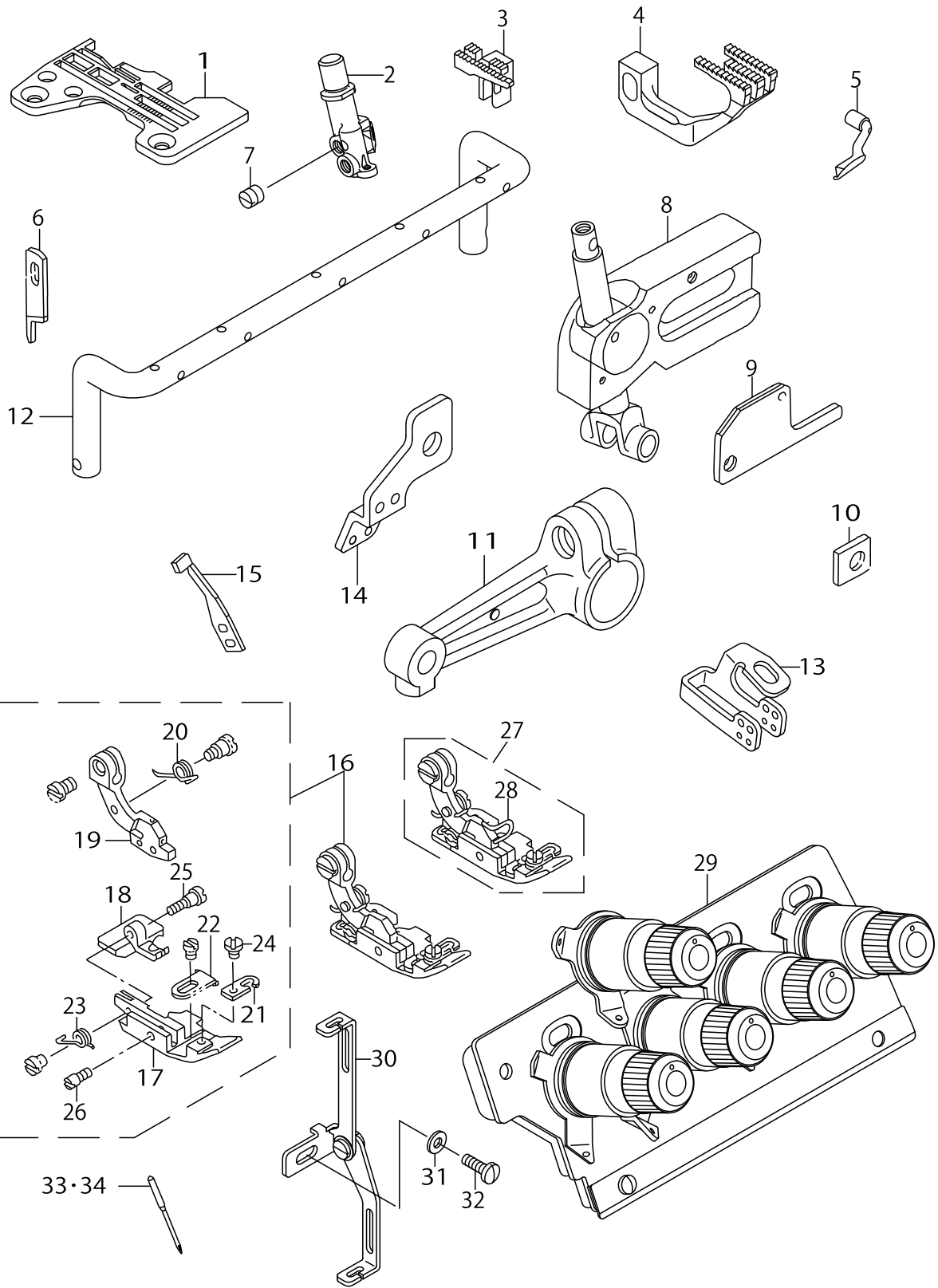
MO-3943-FBD6-327



MO-3900 SUBCLASSES (15)

No.	Supply Code	Parts No.	Replacement	Parts name	Remarks	Choice	Step	Level	Cons	Qty	Rep. QTY
1	R	R4612J0DE01	R4612J6DE01	THROAT PLATE						1	1.00
2	R	12150603	12275004	CHAIN LOOPER NEEDLE CLAMP						1	1.00
3		12170908		MAIN FEED DOG						1	
4		12173407		DIFFERENTIAL FEED DOG						1	
5		12176004		UPPER LOOPER						1	
6		11845609		KNIFE	FOR DOME- STIC USE					1	
7		SS8080310TP		SCREW 1/8-44 L=2.8						1	
8		12128401		THREAD GUIDE						1	
9		12180964		THREAD GUIDE PLATE ASM.						1	
10		12146403		NEEDLE THREAD G- UIDE, 3-NEEDLE						1	
11		12111902		TAKE-UP LEVER G- UIDE, 2-NEEDLE						1	
12		11999406		NEEDLE HOLDER						1	
13	R	12123154	40016841	UPPER LOOPER GUIDE ASM., B						1	1.00
14		B251570400B		UPPER LOOPER GUIDE COVER B						1	
15	R	11831807	13131909	GAUGE						1	1.00
16	R	12122800	12284550	UPPER LOOPER ARM B						1	1.00
17	R	12155057	12155065	PRESSER FOOT ASM.						1	1.00
18		12168100		CLOTH GUIDE				*		1	
19		12163507		FRONT PRESSER FOOT				*		1	
20	R	11991015	11991023	PRESSER FOOT HINGE				*		1	1.00
21		11991205		REARPRESSERFOOT				*		1	
22		B151581600B		PRESSER FOOT ARM SPRING B				*		1	
23		11991304		SPRING				*		1	
24		11993508		PRESSER FOOT HINGE PIN				*		1	
25		11930807		HINGE PIN				*		1	
26		12155065		PRESSER FOOT ASM.	FOR EXPORT					1	
27		11820800		FINGER GUARD				*		1	
28		MDC270B1100		NEEDLE DCX27 #11						1	
29	D	MC033600750		NEEDLE B-27 NM75	FOR JE					1	

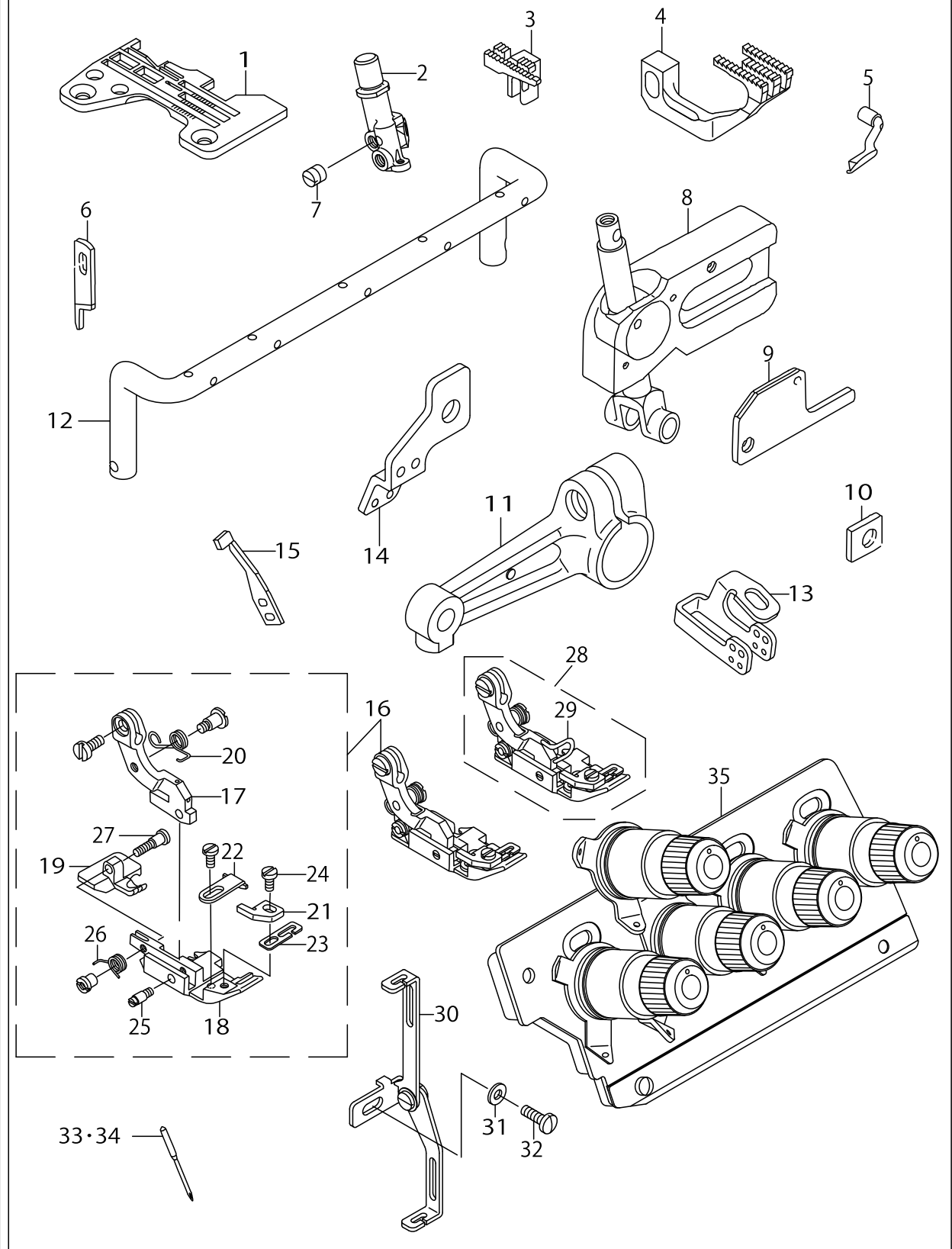
MO-3943-DBD6-347/G06/Q141



MO-3900 SUBCLASSES (16)

No.	Supply Code	Parts No.	Replacement	Parts name	Remarks	Choice	Step	Level	Cons	Qty	Rep. QTY
1	R	R4608J0DE01	R4608J6DE01	THROAT PLATE						1	1.00
2		12150504		CHAIN LOOPER NEEDLE CLAMP						1	
3		11882305		MAIN FEED DOG						1	
4		12173308		DIFFERENTIAL FEED DOG						1	
5		12176004		UPPER LOOPER						1	
6		11845609		KNIFE	FOR DOME- STIC USE					1	
7		SS8080310TP		SCREW 1/8-44 L=2.8						1	
8	R	12123154	40016841	UPPER LOOPER GUIDE ASM., B						1	1.00
9		B251570400B		UPPER LOOPER GUIDE COVER B						1	
10	R	11831807	13131909	GAUGE						1	1.00
11	R	12122800	12284550	UPPER LOOPER ARM B						1	1.00
12		12128401		THREAD GUIDE						1	
13		12146403		NEEDLE THREAD G- UIDE, 3-NEEDLE						1	
14		12111902		TAKE-UP LEVER G- UIDE, 2-NEEDLE						1	
15		11999406		NEEDLE HOLDER						1	
16	R	11881158	11881166	PRESSER FOOT ASM.						1	1.00
17	R	11873403	11881166	PRESSER FOOT				*		1	1.00
18		11875408		REARPRESSERFOOT				*		1	
19		11872108		PRESSER FOOT HINGE				*		1	
20		B1515816000		PRESSER FOOT ARM SPRING				*		1	
21	D	B1532814000		PRESSER FOOT HINGE				*		1	
22		B1530816D00		AUXILIARY STOPPER				*		1	
23		B1512816000		SPRING, FOR REAR PRESSER FOOT				*		1	
24		SS6060440TP		SCREW 3/32-56 L=3.5				*		1	
25		B1511816000		HINGE SCREW				*		1	
26		B1510816000		HINGE PIN				*		1	
27		11881166		PRESSER FOOT ASM.	FOR EXPORT					1	
28		11820800		FINGER GUARD				*		1	
29		12180964		THREAD GUIDE PLATE ASM.						1	
30	R	MAQ141000A0	MAQ141000B0	TAPE GUIDE ASM.						1	1.00
31		WP0371016SD		WASHER 3.7X8X1						1	
32		SS7091110TP		SCREW 9/64-40 L=10.5						1	
33		MDC270B1100		NEEDLE DCX27 #11						1	
34	D	MC033600750		NEEDLE B-27 NM75	FOR JE					1	

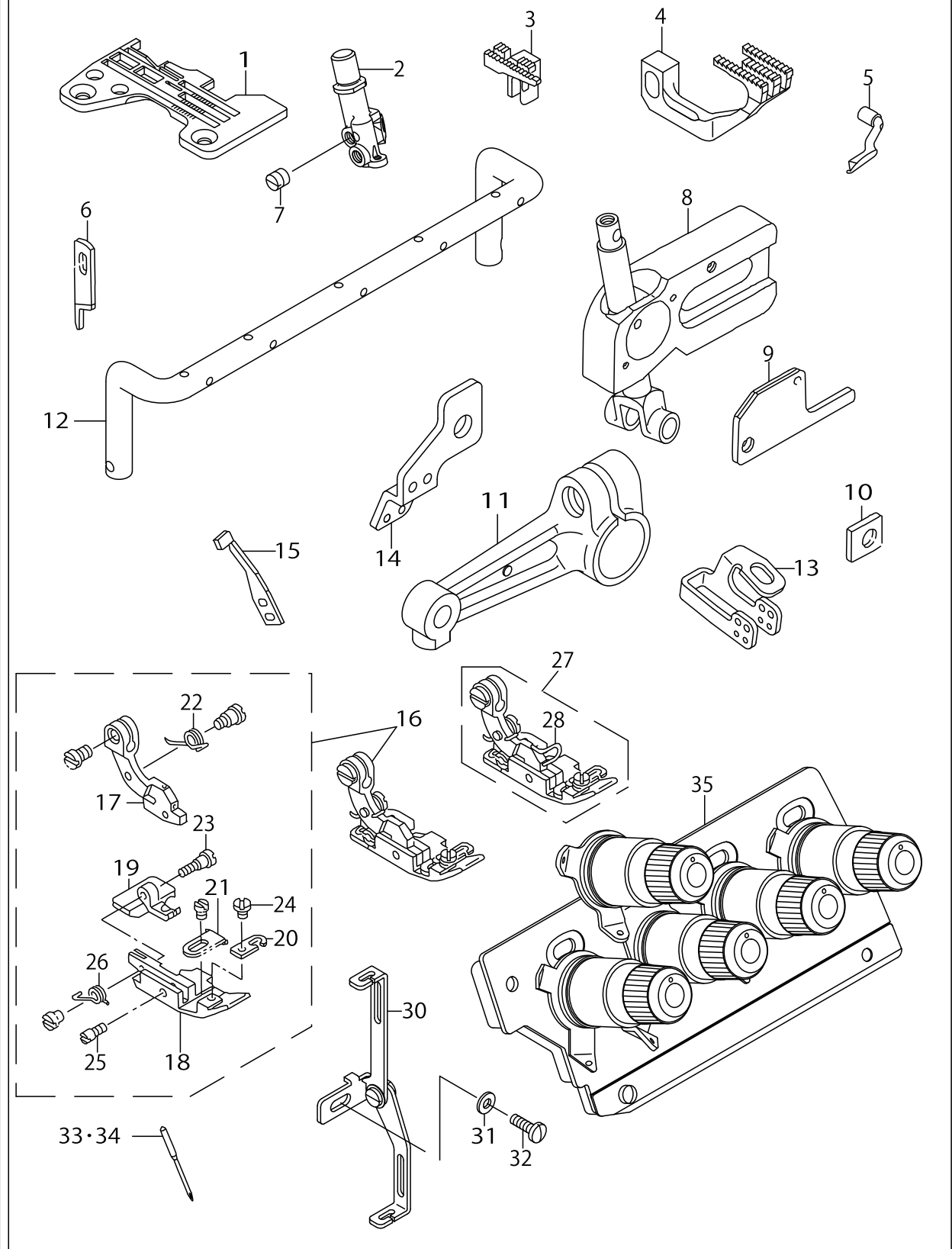
MO-3943-DBD6-347/G33/Q141



MO-3900 SUBCLASSES (17)

No.	Supply Code	Parts No.	Replacement	Parts name	Remarks	Choice	Step	Level	Cons	Qty	Rep. QTY
1	R	R4608J0DE01	R4608J6DE01	THROAT PLATE						1	1.00
2		12150504		CHAIN LOOPER NEEDLE CLAMP						1	
3		11882305		MAIN FEED DOG						1	
4		12173308		DIFFERENTIAL FEED DOG						1	
5		12176004		UPPER LOOPER						1	
6		11845807		UPPER KNIFE	FOR DOME- STIC USE					1	
7		SS8080310TP		SCREW 1/8-44 L=2.8						1	
8	R	12123154	40016841	UPPER LOOPER GUIDE ASM., B						1	1.00
9		B251570400B		UPPER LOOPER GUIDE COVER B						1	
10	R	11831807	13131909	GAUGE						1	1.00
11	R	12122800	12284550	UPPER LOOPER ARM B						1	1.00
12		12128401		THREAD GUIDE						1	
13		12146403		NEEDLE THREAD G- UIDE, 3-NEEDLE						1	
14		12111902		TAKE-UP LEVER G- UIDE, 2-NEEDLE						1	
15		11999406		NEEDLE HOLDER						1	
16	R	11995354	11995362	PRESSER ASM.						1	1.00
17		11995503		PRESSER FOOT HINGE				*		1	
18		11995305		PRESSER FOOT				*		1	
19		11995404		REARPRESSERFOOT				*		1	
20	D	11995701		PRESSER ARM SPRING				*		1	
21		11995602		PRESSER FOOT HINGE STOPPER				*		1	
22		B1530816D00		AUXILIARY STOPPER				*		1	
23	D	B1532814000		PRESSER FOOT HINGE				*		1	
24		SS6060440TP		SCREW 3/32-56 L=3.5				*		1	
25		B1510816000		HINGE PIN				*		1	
26		B1512816000		SPRING, FOR REAR PRESSER FOOT				*		1	
27		B1511816000		HINGE SCREW				*		1	
28	D	11995362		PRESSER ASM.	FOR EXPORT					1	
29		11820800		FINGER GUARD				*		1	
30	R	MAQ141000A0	MAQ141000B0	TAPE GUIDE ASM.						1	1.00
31		WP0371016SD		WASHER 3.7X8X1						1	
32		SS7091110TP		SCREW 9/64-40 L=10.5						1	
33		MDC270B1100		NEEDLE DCX27 #11						1	
34	D	MC033600750		NEEDLE B-27 NM75	FOR JE					1	
35		12180964		THREAD GUIDE PLATE ASM.						1	

MO-3943-FBD6-347/G07/Q141

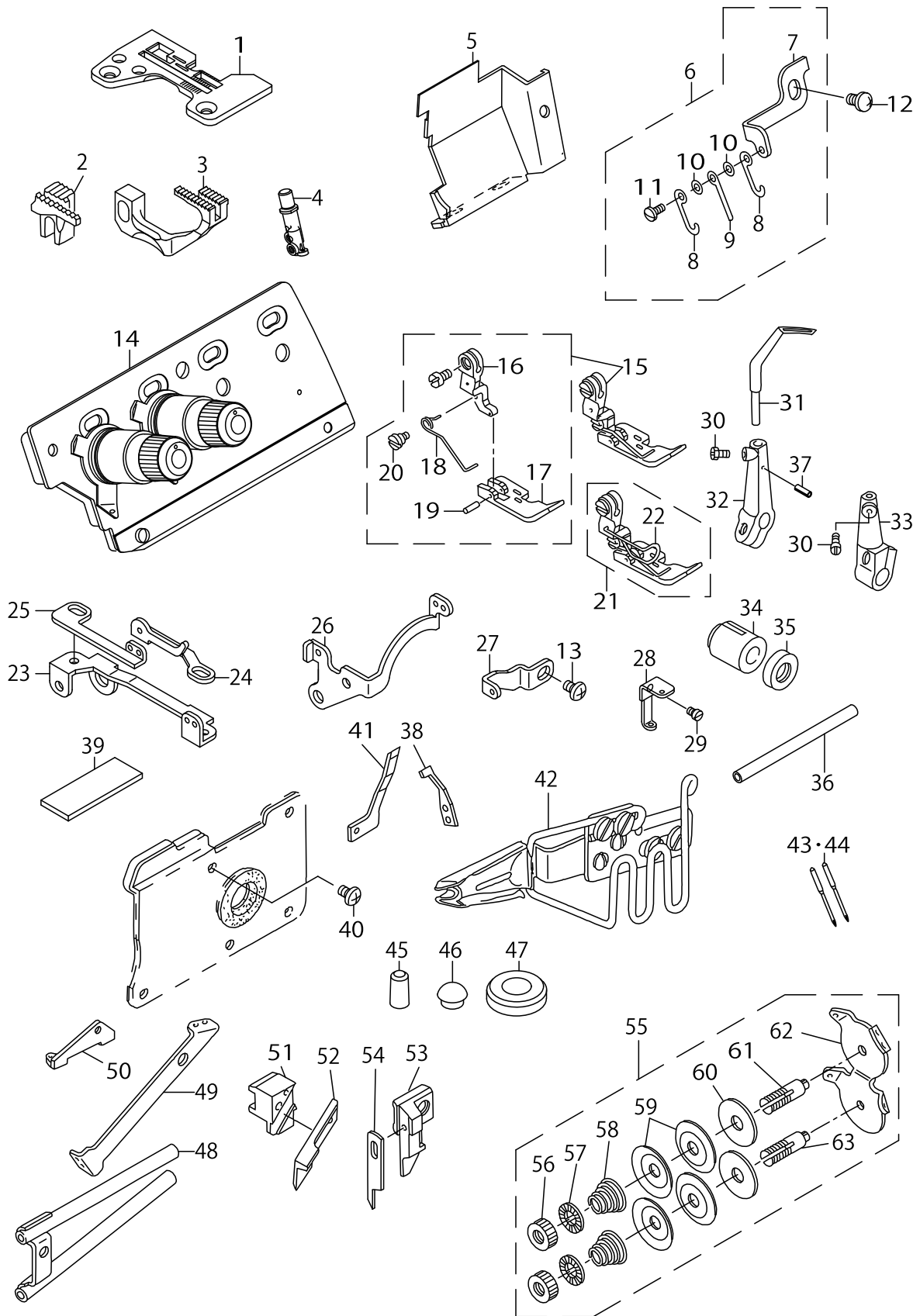


MO-3900 SUBCLASSES (18)

No.	Supply Code	Parts No.	Replacement	Parts name	Remarks	Choice	Step	Level	Cons	Qty	Rep. QTY
1	R	R4612J0DE01	R4612J6DE01	THROAT PLATE						1	1.00
2	R	12150603	12275004	CHAIN LOOPER NEEDLE CLAMP						1	1.00
3		11884004		MAIN FEED DOG						1	
4		12173308		DIFFERENTIAL FEED DOG						1	
5		12176004		UPPER LOOPER						1	
6		11845609		KNIFE	FOR DOME- STIC USE					1	
7		SS8080310TP		SCREW 1/8-44 L=2.8						1	
8	R	12123154	40016841	UPPER LOOPER GUIDE ASM., B						1	1.00
9		B251570400B		UPPER LOOPER GUIDE COVER B						1	
10	R	11831807	13131909	GAUGE						1	1.00
11	R	12122800	12284550	UPPER LOOPER ARM B						1	1.00
12		12128401		THREAD GUIDE						1	
13		12146403		NEEDLE THREAD G- UIDE, 3-NEEDLE						1	
14		12111902		TAKE-UP LEVER G- UIDE, 2-NEEDLE						1	
15		11999406		NEEDLE HOLDER						1	
16	R	11881257	11881265	PRESSER FOOT ASM.						1	1.00
17		11872207		PRESSER FOOT HINGE				*		1	
18		11873502		PRESSER FOOT				*		1	
19		11875507		REARPRESSERFOOT				*		1	
20	D	B1532814000		PRESSER FOOT HINGE				*		1	
21		B1530816D00		AUXILIARY STOPPER				*		1	
22		B151581600B		PRESSER FOOT ARM SPRING B				*		1	
23		B1511816000		HINGE SCREW				*		1	
24		SS6060440TP		SCREW 3/32-56 L=3.5				*		1	
25		B1510816000		HINGE PIN				*		1	
26		B1512816000		SPRING, FOR REAR PRESSER FOOT				*		1	
27	D	11881265		PRESSER FOOT ASM.	FOR EXPORT					1	
28		11820800		FINGER GUARD				*		1	
29		12180964		THREAD GUIDE PLATE ASM.						1	
30	R	MAQ141000A0	MAQ141000B0	TAPE GUIDE ASM.						1	1.00
31		WP0371016SD		WASHER 3.7X8X1						1	
32		SS7091110TP		SCREW 9/64-40 L=10.5						1	
33		MDC270B1100		NEEDLE DCX27 #11						1	
34	D	MC033600750		NEEDLE B-27 NM75	FOR JE					1	

MO-3900 SUBCLASSES (19)

MO-3945-DD4-360/N077

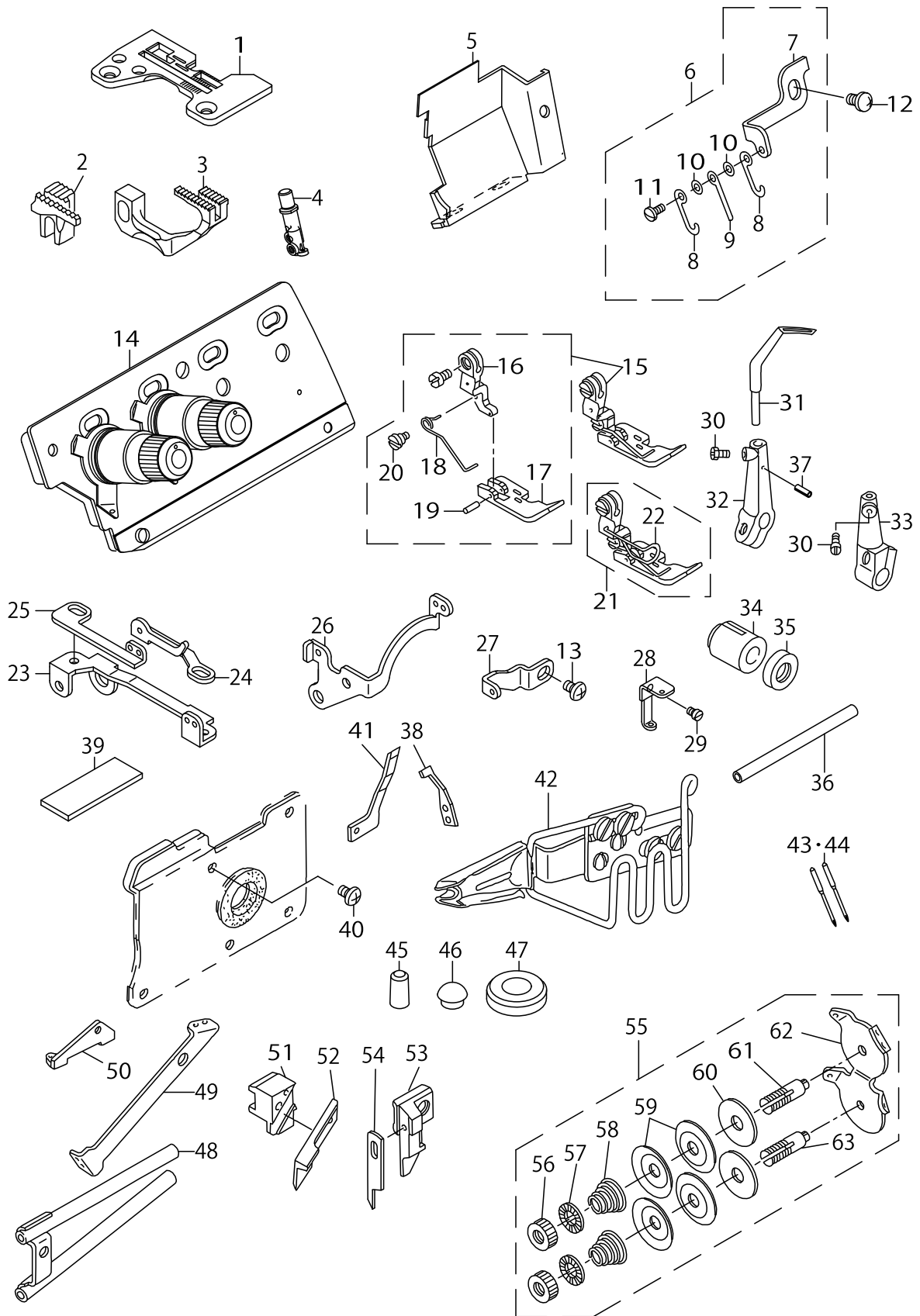


MO-3900 SUBCLASSES (19)

No.	Supply Code	Parts No.	Replacement	Parts name	Remarks	Choice	Step	Level	Cons	Qty	Rep. QTY
1		R4808J0DE00		THROAT PLATE						1	
2		11884202		MAIN FEED DOG						1	
3		12173803		DIFFERENTIAL FEED DOG						1	
4	D	12150207		CHAIN LOOPER NEEDLE CLAMP						1	
5	R	12148003	13105309	CLOTH WASTE COVER						1	1.00
6		12145652		CHAIN LOOPER THREAD TAKE-UP						1	
7		12145702		THREAD TAKE-UP FITTING BASE				*		1	
8	R	B1427816000	13112404	NEEDLE THREAD TAKE-UP LEVER A				*		2	1.00
9		B1428816000		NEEDLE THREAD TAKE-UP LEVER B				*		1	
10		WP0250516SD		WASHER 2.5X6X0.5				*		2	
11		SS7060510SP		SCREW 3/32-56 L=4.8				*		1	
12		SM4040655SP		SCREW						1	
13		SM4040655SP		SCREW						1	
14		12181061		THREAD GUIDE PLATE ASM.						1	
15	R	11881653	11881661	PRESSER FOOT ASM.						1	1.00
16		11872405		PRESSER FOOT HINGE				*		1	
17		11873601		PRESSER FOOT				*		1	
18		11892106		PRESSER SPRING				*		1	
19		B1511357000		PIN				*		1	
20		SD0370401SP		HINGE SCREW D= 3.70 H= 4.0				*		1	
21	D	11881661		PRESSER FOOT ASM.	FOR EXPORT					1	
22		11894706		FINGER GUARD				*		1	
23		12146007		THREAD GUIDE BASE						1	
24		12146106		THREAD GUIDE A						1	
25		12146205		THREAD GUIDE B						1	
26		12146304		THREAD GUIDE						1	
27		12145801		CHAIN LOOPER THREAD GUIDE						1	
28		12145900		NEEDLE THREAD GUIDE						1	
29		SS6060340SP		SCREW 3/32-56 L=2.5						1	
30		SS9090610TP		SCREW 9/64-40 L=5.5						2	
31		11999604		DOUBLE-RING LOOPER						2	
32		B211784500A		CHAIN LOOPER SUPPORT ARM A						1	
33		B211784500B		CHAIN LOOPER SUPPORT ARM B						1	
34		B2110845000		BUSHING, FRONT						1	
35		B2121845000		OIL SEAL						1	
36		B2109816000		CHAIN LOOPER SHAFT						1	
37		PS0200062KH		SPRING PIN 2X6						1	
38		11891009		NEEDLE GUARD						1	
39		B2528845000		CHIP GUARD PLATE						1	
40		SM4040655SP		SCREW						1	
41		11890902		NEEDLE GUARD						1	
42		MAN0770F0A0		TOP CENTER PLAIT BINDER						1	
43		MDC270B1400		NEEDLE DCX27 #14						2	
44	D	MC033600900		NEEDLE B-27 NM90						2	
45		TA0290601M0		PLUG D=2.9X3.2 L=6						1	

MO-3900 SUBCLASSES (19)

MO-3945-DD4-360/N077

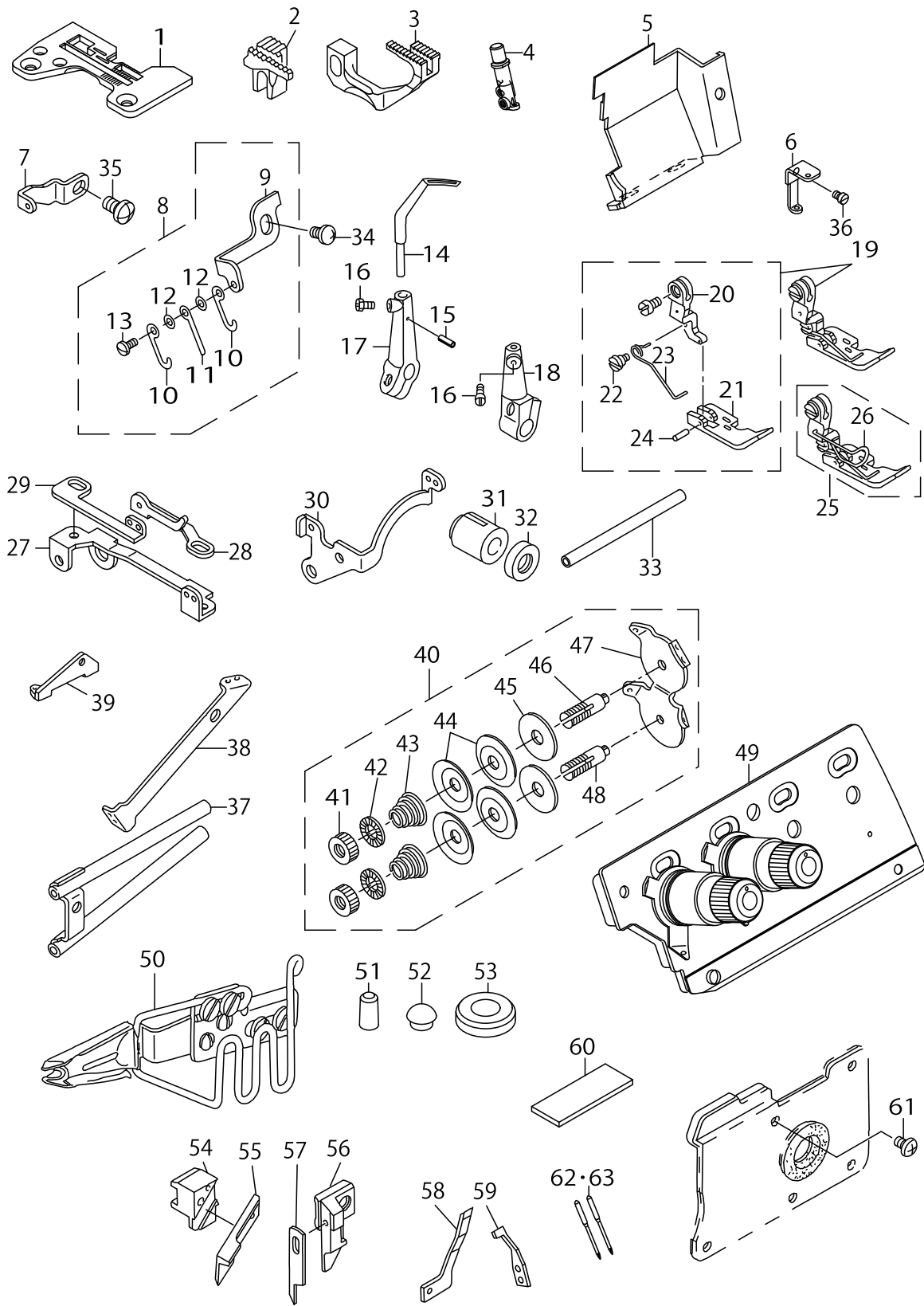


MO-3900 SUBCLASSES (19)

No.	Supply Code	Parts No.	Replacement	Parts name	Remarks	Choice	Step	Level	Cons	Qty	Rep. QTY
46		TA0750404R0		PLUG D=7.5 L=3.5						1	
47		TA2000502R0		RUBBER PLUG						1	
48		11893054		LOOPER THREAD G- UIDE TUBE ASM.						1	
49		11893104		LOOPER THREAD G- UIDE TUBE GUIDE						1	
50	D	B240284500B		LOOPER THREAD G- UIDE TUBE GUIDE	FOR DOME- STIC USE					1	
51		11896305		UPPER KNIFE SUPPORT	FOR EXPORT					1	
52		11845807		UPPER KNIFE	FOR EXPORT					1	
53	D	11896206		UPPER KNIFE SUPPORT	FOR JE					1	
54		11845609		KNIFE	FOR JE					1	
55		11892957		TENSION CONTROLLER ASM.						1	
56		B2314019000		TENSION POST NUT				*		2	
57		B3120125000		ROTATING STOPPER				*		2	
58		B2017372000		TENSION SPRING NO.1				*		2	
59	R	B3126012000	22921506	THREAD TENSION DISK				*		4	1.00
60	R	B3120352000	13139902	THREAD TENSION SPRING FELT				*		2	1.00
61	R	11550803	13139555	THREAD TENSION POST				*		1	1.00
62		11892809		THREAD GUIDE				*		1	
63	D	11892908		THREAD TENSION POST				*		1	

MO-3900 SUBCLASSES (20)

MO-3945-ED4-360/N077

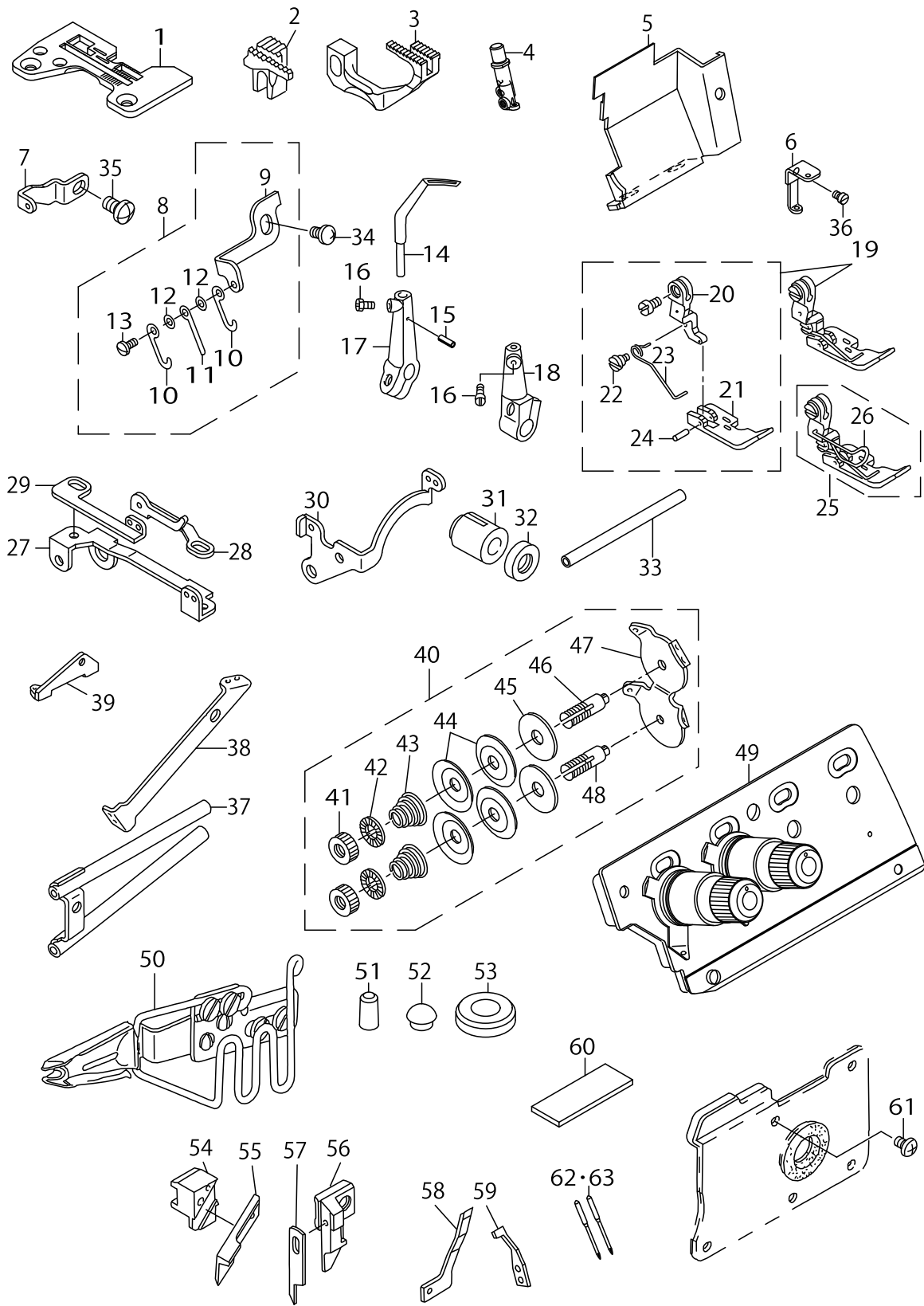


MO-3900 SUBCLASSES (20)

No.	Supply Code	Parts No.	Replacement	Parts name	Remarks	Choice	Step	Level	Cons	Qty	Rep. QTY
1	R	R4810J0DE00	R4810J6DE00	THROAT PLATE						1	1.00
2		11884202		MAIN FEED DOG						1	
3		12173803		DIFFERENTIAL FEED DOG						1	
4	D	12150207		CHAIN LOOPER NEEDLE CLAMP						1	
5	R	12148003	13105309	CLOTH WASTE COVER						1	1.00
6		12145900		NEEDLE THREAD GUIDE						1	
7		12145801		CHAIN LOOPER THREAD GUIDE						1	
8		12145652		CHAIN LOOPER THREAD TAKE-UP						1	
9		12145702		THREAD TAKE-UP FITTING BASE				*		1	
10	R	B1427816000	13112404	NEEDLE THREAD TAKE-UP LEVER A				*		2	1.00
11		B1428816000		NEEDLE THREAD TAKE-UP LEVER B				*		1	
12		WP0250516SD		WASHER 2.5X6X0.5				*		2	
13		SS7060510SP		SCREW 3/32-56 L=4.8				*		1	
14		11999604		DOUBLE-RING LOOPER						2	
15		PS0200062KH		SPRING PIN 2X6						1	
16		SS9090610TP		SCREW 9/64-40 L=5.5						2	
17		B211784500A		CHAIN LOOPER SUPPORT ARM A						1	
18		B211784500B		CHAIN LOOPER SUPPORT ARM B						1	
19	R	11881653	11881661	PRESSER FOOT ASM.						1	1.00
20		11872405		PRESSER FOOT HINGE				*		1	
21		11873601		PRESSER FOOT				*		1	
22		SD0370401SP		HINGE SCREW D= 3.70 H= 4.0				*		1	
23		11892106		PRESSER SPRING				*		1	
24		B1511357000		PIN				*		1	
25	D	11881661		PRESSER FOOT ASM.	FOR EXPORT					1	
26		11894706		FINGER GUARD				*		1	
27		12146007		THREAD GUIDE BASE						1	
28		12146106		THREAD GUIDE A						1	
29		12146205		THREAD GUIDE B						1	
30		12146304		THREAD GUIDE						1	
31		B2110845000		BUSHING, FRONT						1	
32		B2121845000		OIL SEAL						1	
33		B2109816000		CHAIN LOOPER SHAFT						1	
34		SM4040655SP		SCREW						1	
35		SM4040655SP		SCREW						1	
36		SS6060340SP		SCREW 3/32-56 L=2.5						1	
37		11893054		LOOPER THREAD GUIDE TUBE ASM.						1	
38		11893104		LOOPER THREAD GUIDE TUBE GUIDE						1	
39	D	B240284500B		LOOPER THREAD GUIDE TUBE GUIDE	FOR T039,T040					1	
40		11892957		TENSION CONTROLLER ASM.						1	
41		B2314019000		TENSION POST NUT				*		2	
42		B3120125000		ROTATING STOPPER				*		2	
43		B2017372000		TENSION SPRING NO.1				*		2	
44	R	B3126012000	22921506	THREAD TENSION DISK				*		4	1.00

MO-3900 SUBCLASSES (20)

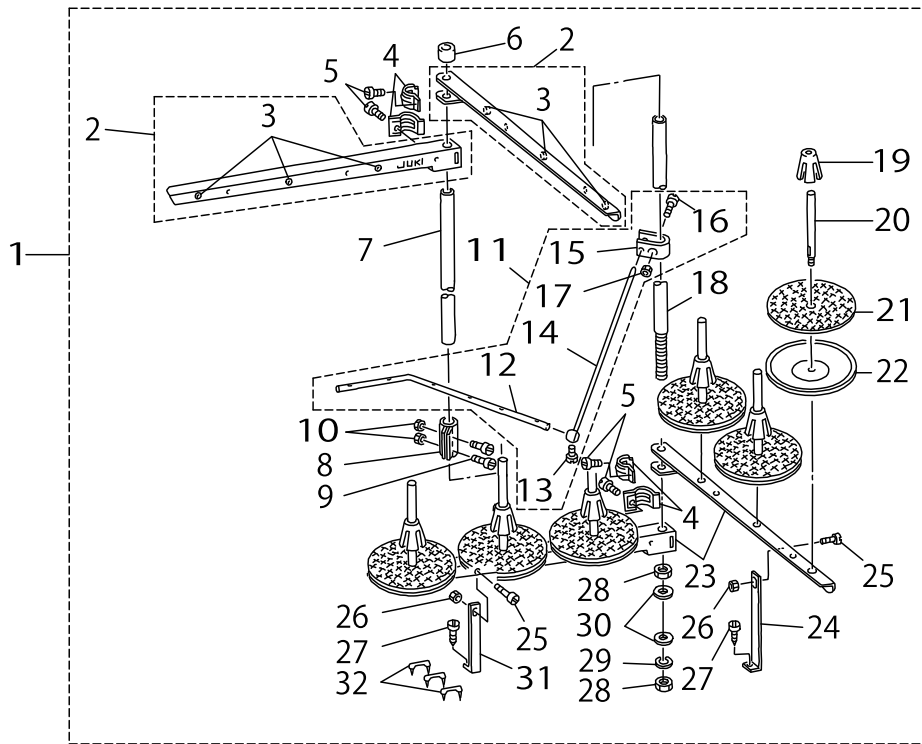
MO-3945-ED4-360/N077



MO-3900 SUBCLASSES (20)

No.	Supply Code	Parts No.	Replacement	Parts name	Remarks	Choice	Step	Level	Cons	Qty	Rep. QTY
45	R	B3120352000	13139902	THREAD TENSION SPRING FELT				*		2	1.00
46	R	11550803	13139555	THREAD TENSION POST				*		1	1.00
47		11892809		THREAD GUIDE				*		1	
48	D	11892908		THREAD TENSION POST				*		1	
49		12181061		THREAD GUIDE PLATE ASM.						1	
50		MAN0770F0A0		TOP CENTER PLAIT BINDER						1	
51		TA0290601M0		PLUG D=2.9X3.2 L=6						1	
52		TA0750404R0		PLUG D=7.5 L=3.5						1	
53		TA2000502R0		RUBBER PLUG						1	
54		11896305		UPPER KNIFE SUPPORT	FOR EXPORT					1	
55		11845807		UPPER KNIFE	FOR EXPORT					1	
56	D	11896206		UPPER KNIFE SUPPORT	FOR DOME- STIC USE					1	
57		11845609		KNIFE	FOR DOME- STIC USE					1	
58		11890902		NEEDLE GUARD						1	
59		11891009		NEEDLE GUARD						1	
60		B2528845000		CHIP GUARD PLATE						1	
61		SM4040655SP		SCREW						1	
62		MDC270B1400		NEEDLE DCX27 #14						2	
63	D	MC033600900		NEEDLE B-27 NM90	FOR JE					2	

THREAD STAND COMPONENTS



THREAD STAND COMPONENTS

No.	Supply Code	Parts No.	Replacement	Parts name	Remarks	Choice	Step	Level	Cons	Qty	Rep. QTY
1	D	11957958		THREAD STAND ASM.						1	
2	D	11969565		SPOOL REST ARM A ASM.				*		2	
3	R	B3319704L00	22931208	THREAD GUIDE				*		6	1.00
4		B3318704L00A		THREAD GUIDE ARM JOINT				*		4	
5		SM6061610SC		SCREW M6 L=16				*		4	
6	R	B3311704000	22931406	SPOOL REST ROD CAP				*		1	1.00
7	R	11185204	40096354	SPOOL REST ROD,UPPER				*		1	1.00
8	R	B3305704000A	40096354	SPOOL REST ROD JOINT				*		1	1.00
9		SM4051405SE		SCREW M5 L=14				*		2	
10		NM6050001SE		NUT M5				*		2	
11		B33098430A0		THREAD GUIDE ARM ASM.				*		1	
12		B3311843000		LOWER THREAD GUIDE				*		1	
13		SS7110540SP		SCREW 11/64-40 L=5				*		1	
14	R	B3309704000	26910059	THREAD GUIDE ARM				*		1	1.00
15	D	B3304704000A		THREAD GUIDE ARM HOLDER				*		1	
16	D	SM6053000SE		SCREW M5X0.8 L=30				*		1	
17		NM6050001SE		NUT M5				*		1	
18	R	11185105	40096354	SPOOL REST ROD,LOWER				*		1	1.00
19	D	11185501		SPOOL RETAINER				*		6	
20	R	B3320704L00A	40085790	SPOOL PIN				*		6	1.00
21	D	B3311012000		SPOOL REST CUSHION				*		6	
22	R	11966504	22930804	SPOOL REST				*		6	1.00
23	R	B3317704000	NM6160511SE	NUT				*		1	1.00
24		NM6050001SE		NUT M5				*		6	
25	R	11969508	13168802	SPOOL REST ARM A				*		2	1.00
26	D	B3321704L0B		SPOOL REST ARM SUPPORT, B				*		1	
27		SM4061201SE		SCREW M6 L=12				*		2	
28		NM6060001SE		NUT M6				*		2	
29		SK3382001SE		SCREW D=3.8 L=20				*		2	
30		WP1612616SE		WASHER 16X30X2.6				*		2	
31		B3321704L00		SPOOL REST ARM SUPPORT, A				*		1	
32		MAO11532000		CORD STAPLE				*		3	

HOW TO MAKE USE OF THIS PARTS LIST

1.As to "#01" and "#02" refer to the "Note" given at the bottom of the respective pages.

2.Codes on the "Qty" column

- Each numeral indicates the number of parts required.
- "0.1" and "2.5" indicate the length (in meters) of the respective parts.

3.Parentheses mean that the corresponding part is a subpart that constructs an assembly part.

4.Dotted lines on the Figures indicate assembly parts.

1. リストページの# 0 1、# 0 2の印は、ページ下の"注記"の説明を参照下さい。
2. 数量欄の数字は、個数を表し、0. 1、2. 5等の数値は、長さ（単位メートル）を表します。
3. 数量欄の（ ）は、組部品を構成している子部品であることを意味します。
4. イラストページの-----枠は、組構成であることを意味します。

NUMERICAL INDEX OF PARTS

PART NO	PAGE	REF NO.	PART NO	PAGE	REF NO.	PART NO	PAGE	REF NO.
11185105	48	18	11875309	22	23	11890902	40	41
11185204	48	7	11875408	28	19	11890902	46	58
11185501	48	19	11875408	34	18	11891009	40	38
11550803	42	61	11875507	24	8	11891009	46	59
11550803	46	46	11875507	30	19	11892106	40	18
11820800	16	28	11875507	38	19	11892106	44	23
11820800	18	29	11877958	28	17	11892809	42	62
11820800	20	23	11877966	28	26	11892809	46	47
11820800	22	29	11878055	30	17	11892908	42	63
11820800	24	48	11878063	30	26	11892908	46	48
11820800	26	48	11879855	22	20	11892957	42	55
11820800	28	27	11879863	22	28	11892957	44	40
11820800	30	27	11881158	34	16	11893054	42	48
11820800	32	27	11881166	34	27	11893054	44	37
11820800	34	28	11881257	38	16	11893104	42	49
11820800	36	29	11881265	38	27	11893104	44	38
11820800	38	28	11881653	40	15	11894706	40	22
11831807	28	15	11881653	44	19	11894706	44	26
11831807	30	15	11881661	40	21	11896206	42	53
11831807	32	15	11881661	44	25	11896206	46	56
11831807	34	10	11882305	28	3	11896305	42	51
11831807	36	10	11882305	34	3	11896305	46	54
11831807	38	10	11882305	36	3	11930807	16	24
11845609	28	6	11882602	2	28	11930807	18	27
11845609	30	6	11882602	4	13	11930807	20	20
11845609	32	6	11882909	6	16	11930807	22	11
11845609	34	6	11882909	14	8	11930807	24	44
11845609	38	6	11883006	10	15	11930807	32	25
11845609	42	54	11883006	12	4	11957958	48	1
11845609	46	57	11884004	2	5	11966504	48	22
11845807	36	6	11884004	4	25	11969508	48	25
11845807	42	52	11884004	6	3	11969565	48	2
11845807	46	55	11884004	8	3	11980802	8	22
11872108	22	22	11884004	14	26	11985900	24	7
11872108	28	20	11884004	22	3	11985959	24	6
11872108	34	19	11884004	24	3	11985967	24	17
11872207	24	9	11884004	30	3	11987708	6	19
11872207	30	20	11884004	38	3	11987708	14	14
11872207	38	17	11884202	40	2	11991015	18	22
11872405	40	16	11884202	44	2	11991015	22	8
11872405	44	20	11884400	8	30	11991015	24	40
11873403	34	17	11884400	10	3	11991015	32	20
11873502	38	18	11887304	2	29	11991205	18	21
11873601	40	17	11887304	4	14	11991205	32	21
11873601	44	21	11888609	2	7	11991304	16	25

NUMERICAL INDEX OF PARTS

PART NO	PAGE	REF NO.	PART NO	PAGE	REF NO.	PART NO	PAGE	REF NO.
11991304	18	26	12122800	38	11	12150306	2	8
11991304	20	21	12123154	28	13	12150306	4	24
11991304	22	10	12123154	30	13	12150306	6	2
11991304	24	43	12123154	32	13	12150306	8	2
11991304	32	23	12123154	34	8	12150306	10	13
11993508	16	26	12123154	36	8	12150306	12	2
11993508	18	25	12123154	38	8	12150306	14	25
11993508	22	13	12128401	28	9	12150306	18	16
11993508	24	46	12128401	30	9	12150306	22	2
11993508	32	24	12128401	32	8	12150306	24	35
11995305	36	18	12128401	34	12	12150504	28	2
11995354	36	16	12128401	36	12	12150504	34	2
11995362	36	28	12128401	38	12	12150504	36	2
11995404	36	19	12145652	40	6	12150603	30	2
11995503	36	17	12145652	44	8	12150603	32	2
11995602	36	21	12145702	40	7	12150603	38	2
11995701	36	20	12145702	44	9	12153854	2	22
11999208	8	29	12145801	40	27	12153862	2	25
11999208	10	14	12145801	44	7	12153953	2	30
11999208	12	3	12145900	40	28	12153953	4	5
11999406	28	12	12145900	44	6	12153961	2	35
11999406	30	12	12146007	40	23	12153961	4	10
11999406	32	12	12146007	44	27	12154050	4	15
11999406	34	15	12146106	40	24	12154068	4	20
11999406	36	15	12146106	44	28	12154159	6	21
11999406	38	15	12146205	40	25	12154159	8	33
11999604	40	31	12146205	44	29	12154159	10	6
11999604	44	14	12146304	40	26	12154159	14	19
12111902	28	11	12146304	44	30	12154167	6	24
12111902	30	11	12146403	28	10	12154167	8	38
12111902	32	11	12146403	30	10	12154167	10	9
12111902	34	14	12146403	32	10	12154167	14	22
12111902	36	14	12146403	34	13	12154258	2	11
12111902	38	14	12146403	36	13	12154258	4	27
12112504	12	24	12146403	38	13	12154258	6	5
12112504	14	29	12148003	22	19	12154258	8	5
12112603	12	25	12148003	24	5	12154258	10	17
12112603	14	28	12148003	40	5	12154258	12	7
12112702	12	26	12148003	44	5	12154258	14	31
12112702	14	30	12149902	2	19	12154266	2	16
12122800	28	16	12150009	2	27	12154266	4	32
12122800	30	16	12150009	4	2	12154266	6	10
12122800	32	16	12150108	4	12	12154266	8	10
12122800	34	11	12150207	40	4	12154266	10	22
12122800	36	11	12150207	44	4	12154266	12	12

NUMERICAL INDEX OF PARTS

PART NO	PAGE	REF NO.	PART NO	PAGE	REF NO.	PART NO	PAGE	REF NO.
12154266	14	36	12163101	16	20	12168209	10	23
12154654	16	18	12163200	18	5	12168209	12	13
12154662	16	27	12163309	18	20	12168209	14	37
12154753	18	4	12163507	32	19	12168308	2	34
12154761	18	13	12163606	20	16	12168308	4	19
12154852	18	19	12163705	22	6	12170700	16	16
12154860	18	28	12163804	24	23	12170700	24	20
12155057	32	17	12163903	24	39	12170809	18	2
12155065	32	26	12164901	2	24	12170908	18	17
12155156	20	15	12165007	2	32	12170908	32	3
12155164	20	22	12165007	4	7	12171005	24	36
12155255	22	5	12165106	4	17	12171302	8	19
12155263	22	14	12165205	6	23	12172904	16	17
12155354	24	22	12165205	8	35	12172904	24	21
12155362	24	31	12165205	10	8	12173001	20	14
12155453	24	38	12165205	14	21	12173100	4	26
12155461	26	47	12165304	2	12	12173100	6	4
12157004	2	14	12165304	4	29	12173209	6	17
12157004	4	30	12165304	6	7	12173209	14	9
12157004	6	8	12165304	8	7	12173308	2	6
12157004	8	8	12165304	10	19	12173308	6	20
12157004	10	20	12165304	12	9	12173308	8	4
12157004	12	10	12165304	14	33	12173308	14	27
12157004	14	35	12165502	16	21	12173308	24	4
12157103	16	19	12165502	18	6	12173308	28	4
12157103	18	9	12165700	20	17	12173308	30	4
12157103	20	18	12165700	24	25	12173308	34	4
12157103	24	24	12165809	22	7	12173308	36	4
12157202	2	33	12165809	24	41	12173308	38	4
12157202	4	18	12168001	2	15	12173407	18	18
12162301	2	23	12168001	4	31	12173407	24	37
12162400	2	31	12168001	6	9	12173407	32	4
12162400	4	6	12168001	8	9	12173506	8	31
12162509	4	16	12168001	10	21	12173506	10	16
12162608	6	22	12168001	12	11	12173506	12	5
12162608	8	34	12168001	14	34	12173605	22	4
12162608	10	7	12168100	16	22	12173803	40	3
12162608	14	20	12168100	18	23	12173803	44	3
12162707	2	13	12168100	22	9	12173902	8	23
12162707	4	28	12168100	24	45	12174306	8	20
12162707	6	6	12168100	32	18	12176004	28	5
12162707	8	6	12168209	2	17	12176004	30	5
12162707	10	18	12168209	4	33	12176004	32	5
12162707	12	8	12168209	6	11	12176004	34	5
12162707	14	32	12168209	8	11	12176004	36	5

NUMERICAL INDEX OF PARTS

PART NO	PAGE	REF NO.	PART NO	PAGE	REF NO.	PART NO	PAGE	REF NO.
12176004	38	5	B1515816000	20	19	B3120125000	42	57
12180865	8	32	B1515816000	22	24	B3120125000	44	42
12180865	10	24	B1515816000	24	26	B3120352000	42	60
12180865	12	6	B1515816000	28	22	B3120352000	46	45
12180964	28	8	B1515816000	34	20	B3126012000	42	59
12180964	30	8	B151581600B	18	24	B3126012000	44	44
12180964	32	9	B151581600B	22	12	B3304704000A	48	15
12180964	34	29	B151581600B	24	42	B3305704000A	48	8
12180964	36	35	B151581600B	30	22	B3309704000	48	14
12180964	38	29	B151581600B	32	22	B33098430A0	48	11
12181061	40	14	B151581600B	38	22	B3311012000	48	21
12181061	46	49	B1530816D00	22	25	B3311704000	48	6
12181160	2	9	B1530816D00	24	13	B3311843000	48	12
B1427816000	40	8	B1530816D00	28	21	B3317704000	48	23
B1427816000	44	10	B1530816D00	30	25	B3318704L00A	48	4
B1428816000	40	9	B1530816D00	34	22	B3319704L00	48	3
B1428816000	44	11	B1530816D00	36	22	B3320704L00A	48	20
B1507843D00	28	18	B1530816D00	38	21	B3321704L00	48	31
B1507843F00	30	18	B1532814000	34	21	B3321704L0B	48	26
B1510816000	22	27	B1532814000	36	23	MAM0750J0A0	20	24
B1510816000	24	16	B1532814000	38	20	MAM0750J0A0	22	16
B1510816000	28	24	B2017372000	42	58	MAM0760N0A0	20	25
B1510816000	30	23	B2017372000	44	43	MAM0760N0A0	22	17
B1510816000	34	26	B2109816000	40	36	MAN067000A0	22	30
B1510816000	36	25	B2109816000	44	33	MAN0670D0A0	24	19
B1510816000	38	25	B2110845000	40	34	MAN0770F0A0	40	42
B1511357000	40	19	B2110845000	44	31	MAN0770F0A0	46	50
B1511357000	44	24	B211784500A	40	32	MAO11532000	48	32
B1511816000	24	12	B211784500A	44	17	MAQ141000A0	34	30
B1511816000	28	25	B211784500B	40	33	MAQ141000A0	36	30
B1511816000	30	21	B211784500B	44	18	MAQ141000A0	38	30
B1511816000	34	25	B2121845000	40	35	MAT80106N00	22	21
B1511816000	36	27	B2121845000	44	32	MC033600750	28	28·29
B1511816000	38	23	B2314019000	42	56	MC033600750	30	28·29
B1512816000	22	26	B2314019000	44	41	MC033600750	32	28·29
B1512816000	24	14	B240284500B	42	50	MC033600750	34	33·34
B1512816000	28	23	B240284500B	44	39	MC033600750	36	33·34
B1512816000	30	24	B251570400B	28	14	MC033600750	38	33·34
B1512816000	34	23	B251570400B	30	14	MC033600900	40	43·44
B1512816000	36	26	B251570400B	32	14	MC033600900	46	62·63
B1512816000	38	26	B251570400B	34	9	MC033601000	8	36·37
B1513816000	24	15	B251570400B	36	9	MC033601000	10	25·26
B1514816000	24	11	B251570400B	38	9	MC033601000	12	14·15
B1515816000	16	23	B2528845000	40	39	MDC270B1100	28	28·29
B1515816000	18	8	B2528845000	46	60	MDC270B1100	30	28·29

NUMERICAL INDEX OF PARTS

PART NO	PAGE	REF NO.	PART NO	PAGE	REF NO.	PART NO	PAGE	REF NO.
MDC270B1100	32	28·29	R4612J0DE01	38	1	TA0750404R0	46	52
MDC270B1100	34	33·34	R4612J0FD00	2	4	TA2000502R0	42	47
MDC270B1100	36	33·34	R4612J0FD00	8	1	TA2000502R0	46	53
MDC270B1100	38	33·34	R4612J0FD00	14	24	WP0250516SD	40	10
MDC270B1400	40	43·44	R4612J0FD00	22	1	WP0250516SD	44	12
MDC270B1400	46	62·63	R4612J0FD00	24	34	WP0371016SD	34	31
MDC270B1600	8	36·37	R4612J0FD0A	18	15	WP0371016SD	36	31
MDC270B1600	10	25·26	R4612J0FD0B	24	1	WP0371016SD	38	31
MDC270B1600	12	14·15	R4612J0FG00	10	12	WP1612616SE	48	30
NM6050001SE	48	24	R4612J0HG00	12	1			
NM6060001SE	48	28	R4808J0DE00	40	1			
PS0200062KH	40	37	R4810J0DE00	44	1			
PS0200062KH	44	15	SD0370401SP	40	20			
R4504J0ED00	2	18	SD0370401SP	44	22			
R4505J0DD00	2	26	SK3382001SE	48	29			
R4505J0ED00	4	1	SM4040655SP	2	10			
R4506J0ED00	4	11	SM4040655SP	40	40			
R4508J0DD00	4	21	SM4040655SP	44	61			
R4508J0DD00	12	16	SM4040655SP	46	61			
R4508J0DD00	20	1	SM4051405SE	48	9			
R4508J0DD00	24	33	SM4061201SE	48	27			
R4508J0DD0B	16	1	SM6053000SE	48	16			
R4508J0DD0B	22	18	SM6061610SC	48	5			
R4508J0DD0E	8	12	SS6060340SP	40	29			
R4508J0ED0B	16	15	SS6060340SP	44	36			
R4508J0ED0D	8	15	SS6060440TP	34	24			
R4508J0FD00	4	23	SS6060440TP	36	24			
R4508J0FD00	12	23	SS6060440TP	38	24			
R4508J0FD0B	8	18	SS7060510SP	40	11			
R4512J0GD00	6	1	SS7060510SP	44	13			
R4608J0DD00	6	12	SS7091110TP	34	32			
R4608J0DD00	14	1	SS7091110TP	36	32			
R4608J0DE01	28	1	SS7091110TP	38	32			
R4608J0DE01	34	1	SS7110540SP	48	13			
R4608J0DE01	36	1	SS8080310TP	28	7			
R4608J0DF00	8	21	SS8080310TP	30	7			
R4608J0ED00	6	15	SS8080310TP	32	7			
R4608J0ED00	14	7	SS8080310TP	34	7			
R4608J0FD00	6	18	SS8080310TP	36	7			
R4608J0FD00	14	13	SS8080310TP	38	7			
R4608J0FD0A	18	1	SS9090610TP	40	30			
R4608J0FG00	8	28	SS9090610TP	44	16			
R4608J0HG00	10	1	TA0290601M0	40	45			
R4612J0DE01	30	1	TA0290601M0	46	51			
R4612J0DE01	32	1	TA0750404R0	42	46			