

MODEL : DDL-5556N-7-WB

List No : 0868-07

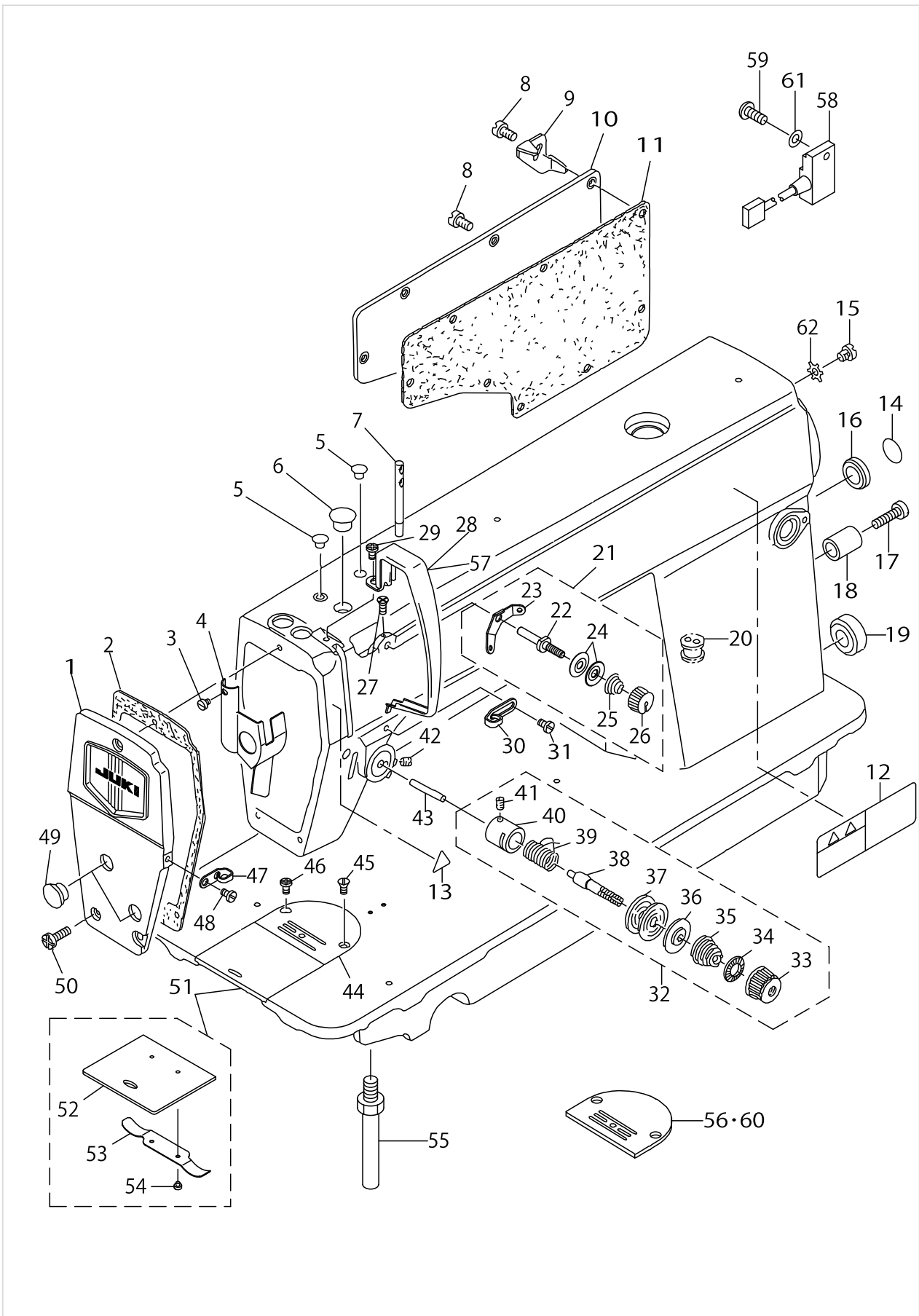
PARTS LIST

Published:05/12/2017

CONTENTS

MACHINE FRAME & MISCELLANEOUS COVER COMPONENTS	1
MAIN SHAFT COMPONENTS	5
NEEDLE BAR , HOOK DRIVING SHAFT & UPRIGHT SHAFT COMPONENTS	7
HAND LIFTER COMPONENTS	11
FEED MECHANISM COMPONENTS.....	15
THREAD TRIMMER COMPONENTS (1).....	19
THREAD TRIMMER COMPONENTS (2).....	23
AUTOMATIC REVERSE FEED COMPONENTS.....	25
WIPER COMPONENTS.....	27
OIL LUBRICATION COMPONENTS	29
OIL RESERVOIR COMPONENTS	31
THREAD HOLDER & AIR COMPONENTS	33
THREAD HAUL COMPONENTS	37
BELT COVER & BOBBIN WINDER COMPONENTS	39
THREAD STAND COMPONENTS.....	41
LIST FOR INFORMATION OF CHANGE.....	43
HOW TO MAKE USE OF THIS PARTS LIST	44

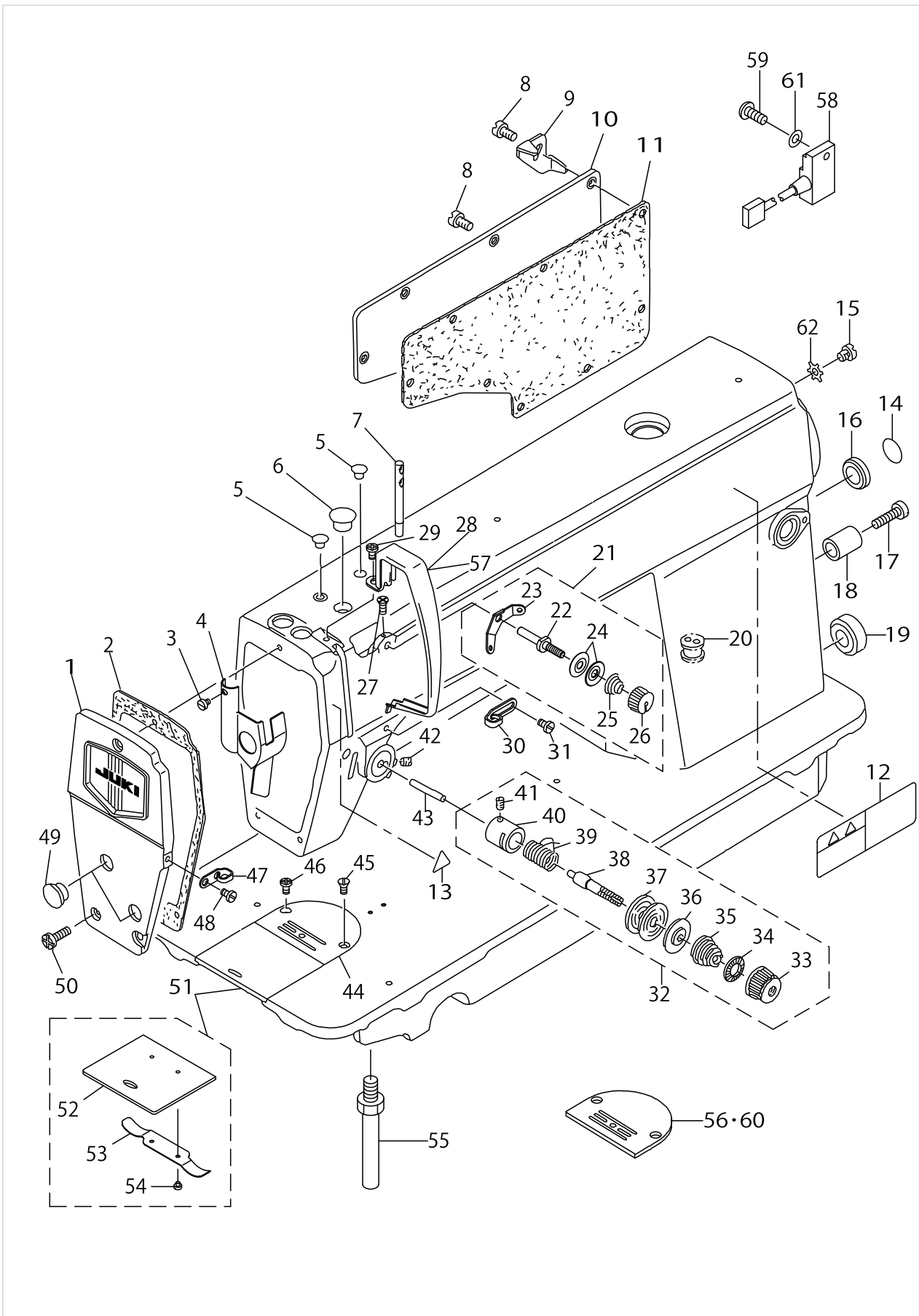
MACHINE FRAME & MISCELLANEOUS COVER COMPONENTS



MACHINE FRAME & MISCELLANEOUS COVER COMPONENTS

No.	Supply Code	Parts No.	Replacement	Parts name	Remarks	Choice	Step	Level	Cons	Qty	Rep. QTY
1		11070802		FACE PLATE						1	
2		11000304		FACE PLATE GASKET						1	
3		SS6080410SP		SCREW 1/8-44 L=4						1	
4		22900757		FACE PLATE OIL SHIELD ASM.						1	
5		TA0850604R0		RUBBER PLUG						2	
6		TA1250705R0		RUBBER PLUG						1	
7		22958300		NEEDLE THREAD GUIDE PIN						1	
8		SS4120915SP		SCREW 3/16-28 L=9						8	
9		22954705		CORD FIXING METAL FITTING						1	
10		22900401		WINDOW PLATE						1	
11		11003308		GASKET						1	
12		CM301300001		SAFETY LABEL						1	
13		CM300200001		ATTENTION SEAL						1	
14		22901805		GROUND MARK						1	
15		SS4120615SP		SCREW 3/16-28 L=6						1	
16		TA2000502R0		RUBBER PLUG						1	
17		SS6121840SP		SCREW 3/16-28 L=18						1	
18	R	11100500	22952501	REVERSE FEED LEVER STOPPER						1	1.00
19		TA2101002R0		RUBBER PLUG						1	
20		11416203		MAGNET CORD RUBBER						1	
21		22945463		THREAD TENSION ASM. ,NO.1						1	
22		22945414		THREAD TENSION POST				*		1	
23	R	22945604	22963458	THREAD TENSION GUIDE		A	DDL8700H-7/8700J--7/9000B, DLN6390-7	*		1	1.00
23	R	22945604	22945463	THREAD TENSION GUIDE		B	DDL8700-7 and so on	*		1	1.00
24		22945802		THREAD TENSION DISK				*		2	
25		22945505		THREAD TENSION SPRING				*		1	
26		22945703		THREAD TENSION NUT				*		1	
27		SS4120615SP		SCREW 3/16-28 L=6						1	
28		22900609		THREAD TAKE-UP LEVER COVER						1	
29		SS4120615SP		SCREW 3/16-28 L=6						1	
30		22920508		ARMTHREADGUIDEA						1	
31		22921001		SCREW						1	
32		22945356		THREAD TENSION ASM.						1	
33		22921308		THREAD TENSION NUT				*		1	
34		22921407		ROTATION STOPPER				*		1	
35		22921704		THREAD TENSION SPRING, A				*		1	
36		22921803		DISK STOPPER				*		1	
37		22921506		THREAD TENSION DISK				*		2	
38		22921209		THREAD TENSION POST				*		1	
39		22921605		THREAD TAKE-UP SPRING				*		1	
40		22945307		THREAD TENSION POST BASE				*		1	
41		SS8090670SP		SCREW 9/64-40L=5.5				*		1	
42		SS8150710TP		SCREW 15/64-28 L=7						1	
43		22920904		PIN						1	

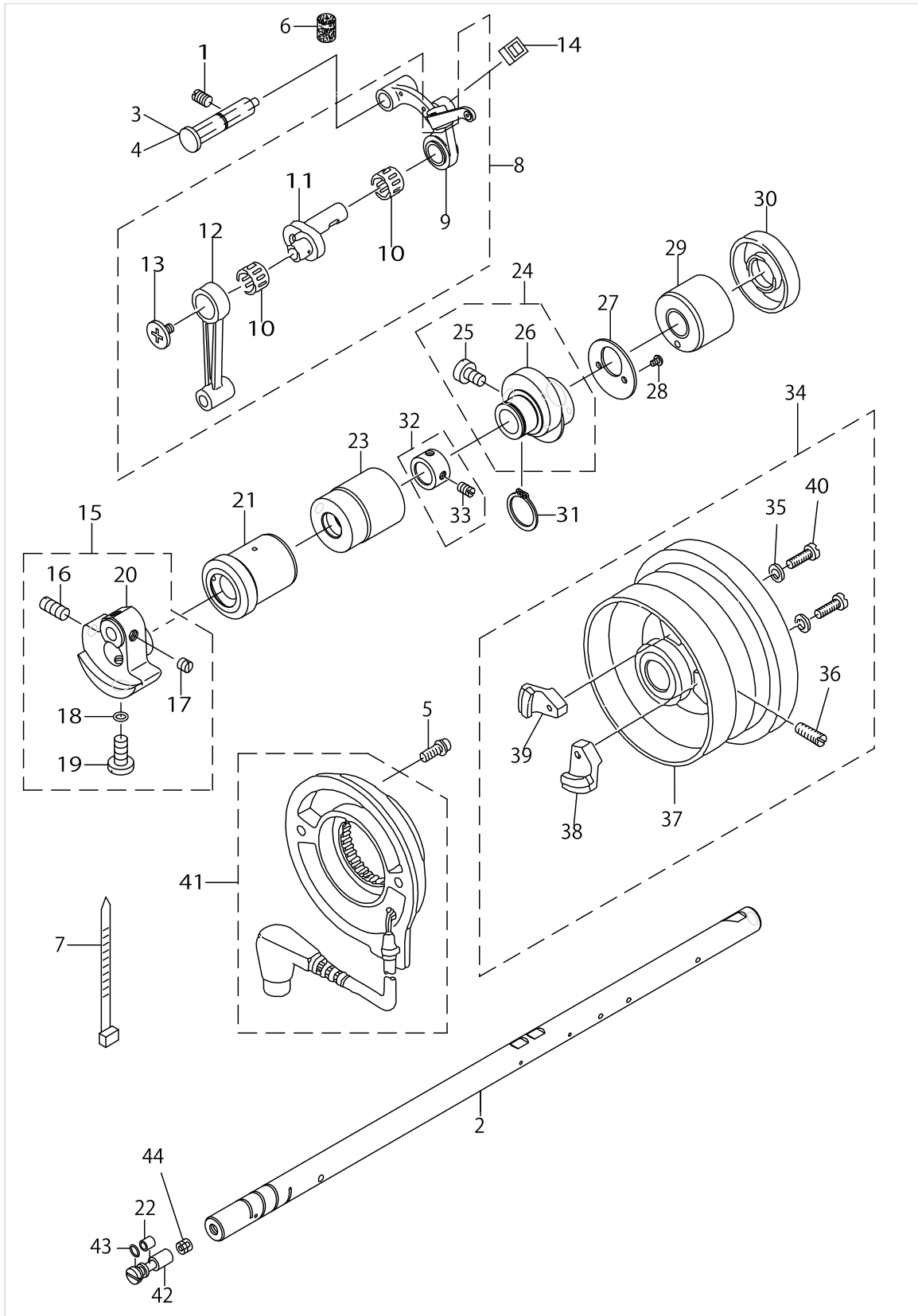
MACHINE FRAME & MISCELLANEOUS COVER COMPONENTS



MACHINE FRAME & MISCELLANEOUS COVER COMPONENTS

No.	Supply Code	Parts No.	Replacement	Parts name	Remarks	Choice	Step	Level	Cons	Qty	Rep. QTY
44		11417615		THROAT PLATE A	FOR DDL-5556NC-7					1	
45		SS2110920TP		SCREW 11/64-40 L=8.5						1	
46		SS2110915SP		SCREW 11/64-40 L=8.5						1	
47		22920607		ARMTHREADGUIDEB						1	
48		SS6110610TP		SCREW 11/64-40 L=6						1	
49		TA1250406R0		RUBBER PLUG D=12.5 L=4						2	
50		SS4120915SP		SCREW 3/16-28 L=9						3	
51		22901250		SLIDE PLATE ASM.						1	
52	R	22901201	22901250	SLIDE PLATE				*		1	1.00
53		22901300		SLIDE PLATE SPRING				*		1	
54		SS6060210SP		SCREW 3/32-56 L=1.9				*		2	
55		22901003		BED SCREW STUD						4	
56		B1109012I0B		THROAT PLATE (I)	FOR EXPORT					1	
57		11415205		THREAD TAKE-UP LEVER COVER(JE)	FOR JE					1	
58		M6010350AAA		RESISTANCE PACK	EXCEPT JE					1	
59		SS4121215SP		SCREW 3/16-28 L=12						1	
60		11497203		THROAT PLATE	FOR DDL-5556ND-7					1	
61		WP0501016SD		WASHER 5X10.5X1						1	
62		WT0530002KS		TOOTHED WASHER D=5.3						1	

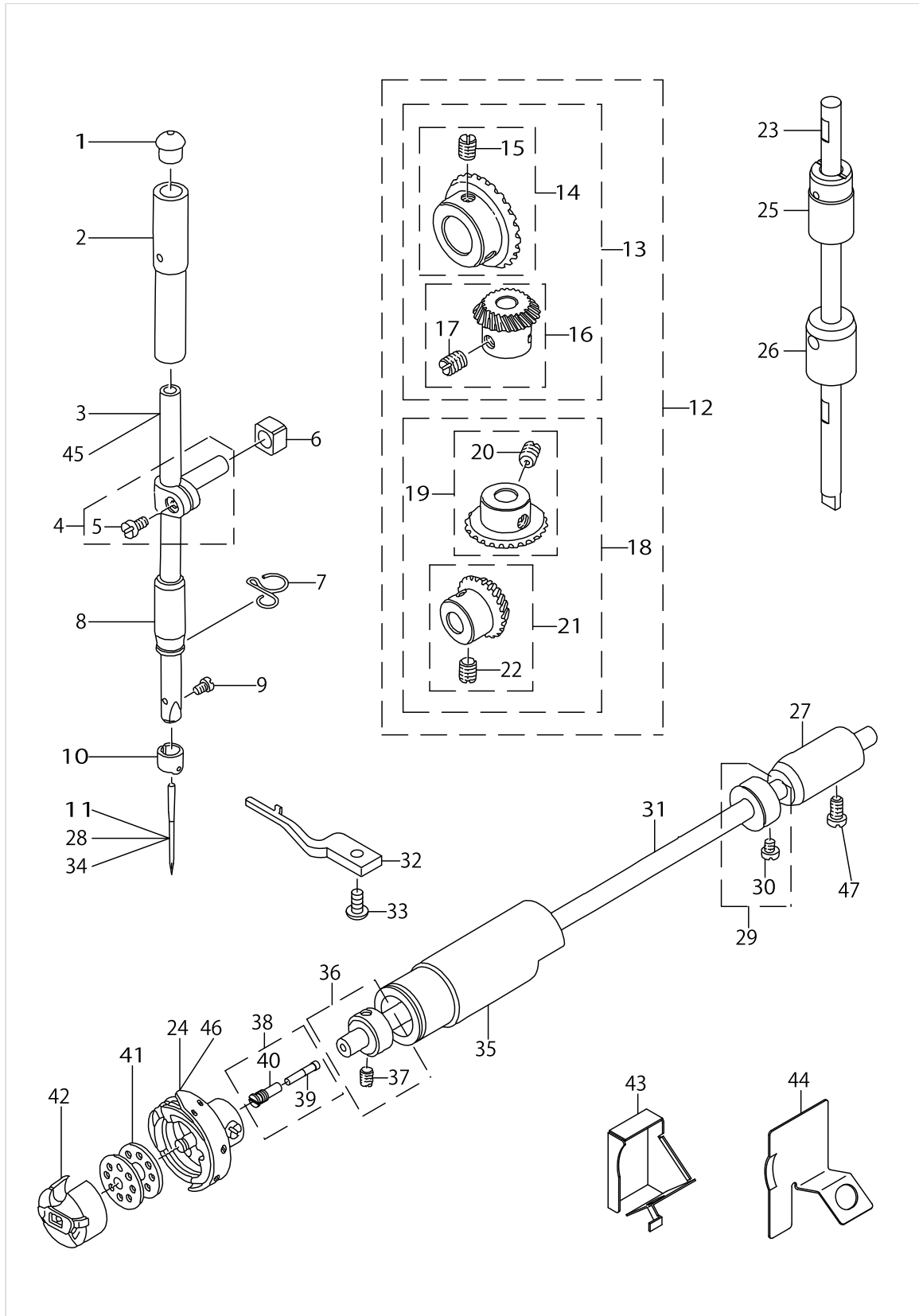
MAIN SHAFT COMPONENTS



MAIN SHAFT COMPONENTS

No.	Supply Code	Parts No.	Replacement	Parts name	Remarks	Choice	Step	Level	Cons	Qty	Rep. QTY
1		SS8151150TP		SCREW 15/64-28 L=10.5						1	
2		22903009		MAIN SHAFT						1	
3		11039351		CRANK SHAFT ASM.	FOR USE IN JAPAN					1	
4		11017357		THREAD TAKE-UP CRANK SHAFT ASM						1	
5		SL4051001MZ		SCREW M5 L=9.6						2	
6		11039203		FELT	FOR USE IN JAPAN					1	
7		HX000430000		CLIP						1	
8	R	11039070	22918072	THREAD TAKE-UP LEVER ASM.						1	1.00
9	R	11039062	22918072	THREAD TAKE-UP LEVER ASM.				*		1	1.00
10		B1905541B00		NEEDLE BEARING	SELECTIVE PART(A~D)			*		2	
11	R	11005204	22918106	NEEDLE BAR CRANK				*		1	1.00
12	R	B1408552000	22906606	NEEDLE BAR CRANK ROD				*		1	1.00
13		B1903552000		LEFT SCREW				*		1	
14		22919203		OIL PROTECTING RUBBER						1	
15		22903157		COUNTER WEIGHT ASM.						1	
16		SS8681650TP		SCREW 9/32-28 L=16				*		1	
17		SS8660610TP		SCREW 1/4-40 L=6				*		2	
18		RO044240100		RUBBER RING				*		1	
19		SS7681650TP		SCREW 9/32-28 L=16				*		1	
20	R	22903108	22903157	COUNTER WEIGHT				*		1	1.00
21		22903207		MAIN SHAFT BUSHING, FRONT						1	
22		B1215552000		OIL ADJUSTING COLLAR						1	
23		22903306		BUSHING,INTERMEDIATE						1	
24		22910053		FEED DRIVE ECCEN- TRIC CAM ASM.						1	
25		SS6661110SP		SCREW 1/4-40 L=11				*		2	
26	R	22910004	22910053	FEED DRIVE ECCENTRIC CAM				*		1	1.00
27		22910103		THRUST COLLAR						1	
28		SS4090615SP		SCREW 9/64-40 L=6						2	
29		11002409		MAIN SHAFT BUSHING, REAR						1	
30	R	11002508	40105231	OIL SEAL						1	1.00
31		RC1850001KP		SNAP RING 18.5						1	
32		22904155		MAIN SHAFT THRU- ST COLLAR ASM.						1	
33		SS8660610TP		SCREW 1/4-40 L=6				*		2	
34		11416963		HAND WHEEL ASM.						1	
35		WP0450801SD		WASHER 4.5X10X0.8				*		2	
36		SS8151550SP		SCREW15/64-28L=15				*		2	
37	R	11416955	11416963	HAND WHEEL ASM.				*		1	1.00
38		M40071100AA		MAGNET FITTING BASE A ASM.				*		1	
39		M40071100AB		MAGNET FITTING BASE B ASM.				*		1	
40		SS6111210SP		SCREW11/64-40L=12				*		2	
41		22937965		DYNAMO STATOR ASM.						1	
42		22903900		ADJUSTING PIN						1	
43		RO029180100		RUBBER RING						1	
44		11002904		ROLLER FELT						1	

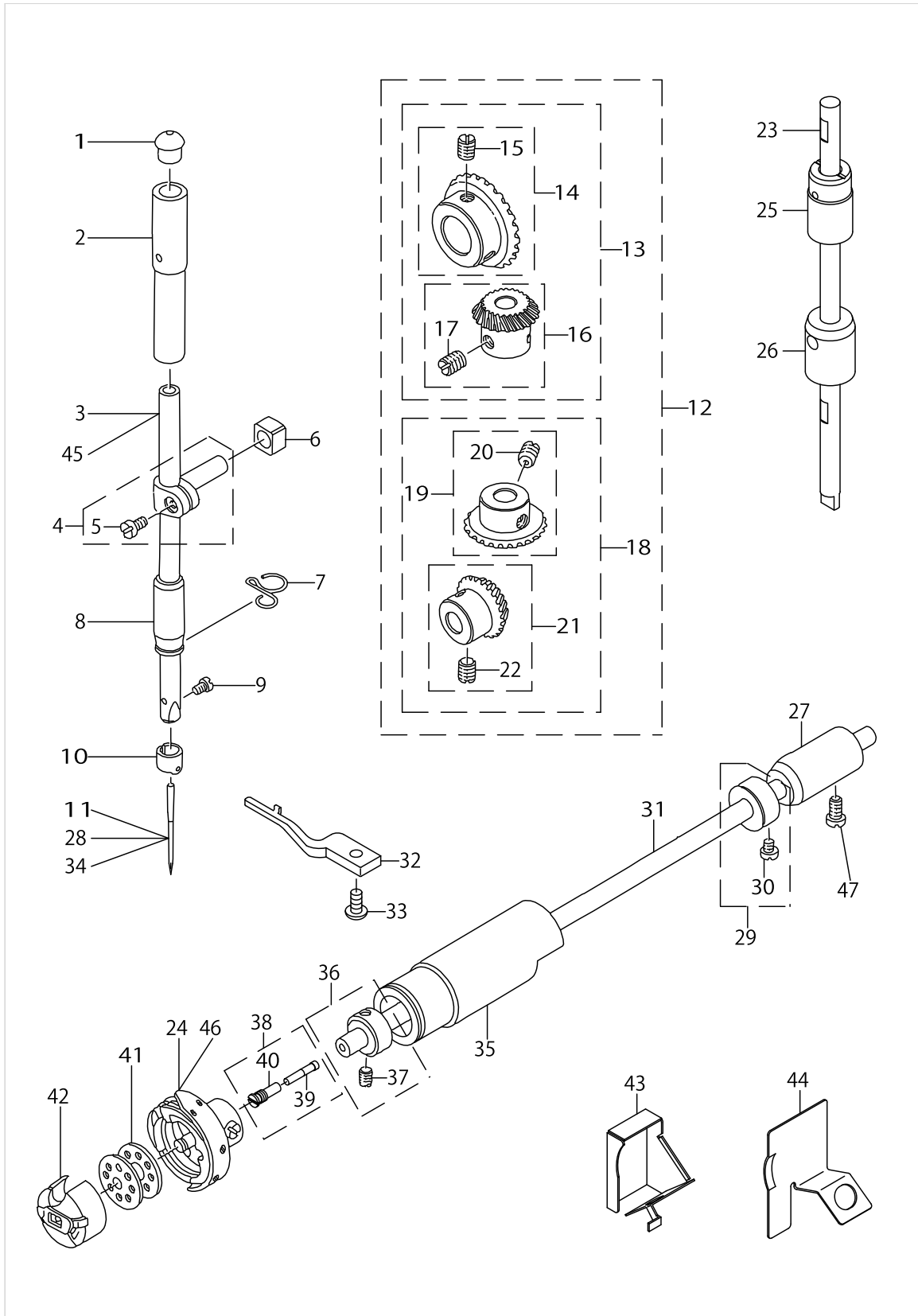
NEEDLE BAR , HOOK DRIVING SHAFT & UPRIGHT SHAFT COMPONENTS



NEEDLE BAR , HOOK DRIVING SHAFT & UPRIGHT SHAFT COMPONENTS

No.	Supply Code	Parts No.	Replacement	Parts name	Remarks	Choice	Step	Level	Cons	Qty	Rep. QTY
1		22901409		NEEDLE BAR UPPER BUSH CAP						1	
2	R	B1402552000A	22906101	NEEDLE BAR BUSHING, UPPER						1	1.00
3		11417102		NEEDLE BAR A						1	
4		22906457		NEEDLE BAR HOLDER ASM.						1	
5		SS6090670TP		SCREW 9/64-40 L=6				*		1	
6		B1414555000		SLIDE BLOCK						1	
7		22920805		NEEDLE BAR THREAD GUIDE						1	
8		22906200		NEEDLE BAR BUSHING, LOWER						1	
9		SS7080510TP		SCREW 1/8-44 L=4.5						1	
10		22906309		NEEDLE BAR THREAD GUIDE						1	
11		MDB100B1100		NEEDLE DBX1 #11						1	
12	R	B13061550C0	B13071550C0	GEAR & PINION ASM.						1	1.00
13		B13061550B0		GEAR & PINION ASM., UPPER				*		1	
14		B13050120A0		GEAR ASM.				*		1	
15		SS8660810TP		SCREW 1/4-40 L=8				*		2	
16		B13061550A0		PINION ASM.				*		1	
17		SS8660810TP		SCREW 1/4-40 L=8				*		2	
18		B13071550B0		GEAR & PINION ASM., LOWER				*		1	
19		B13071550A0		GEAR ASM. LARGE				*		1	
20		SS8660810TP		SCREW 1/4-40 L=8				*		2	
21		B13081550A0		PINION ASM.				*		1	
22		SS8660810TP		SCREW 1/4-40 L=8				*		2	
23		22905004		UPRIGHT SHAFT						1	
24		11038650		HOOK ASM.	FOR USE IN JAPAN					1	
25		22905103		UPRIGHT SHAFT BUSHING, UPPER						1	
26		11004207		UPRIGHT SHAFT BUSHING, LOWER						1	
27		22916308		HOOK DRIVING SH- AFT BUSH, REAR						1	
28		MC200500750		NEEDLE 134 NM75	FOR JE					1	
29		CS079101ASH		THRUST COLLAR A- SM. D=7.94 W=10						1	
30		SS6110420TP		SCREW 11/64-40 L=4.8				*		2	
31		22916001		HOOK DRIVING SHAFT						1	
32	R	11038809	22942502	BOBBIN CASE HOLDER						1	1.00
33		SS4110915TP		SCREW 11/64-40 L=9						1	
34		MDP500B1400		NEEDLE DPX5 #14	FOR JO					1	
35		11418308		MAIN SHAFT BUSHING						1	
36		CS079073ASH		THRUST COLLAR ASM.						1	
37		SS8110410TP		SCREW 11/64-40 L= 3.5				*		2	
38		22916555		OILSEALSCREWASM.						1	
39		11015906		OIL WICK				*		1	
40	R	B1808552000	22916506	OIL SEAL SCREW						1	1.00
41		22932909		BOBBIN						1	
42		11038759		BOBBIN CASE ASM.						1	
43		11422607		OIL SHIELD						1	
44		11422508		OIL SHIELD, A						1	
45		11417201		NEEDLE BAR B	FOR JE & JO					1	

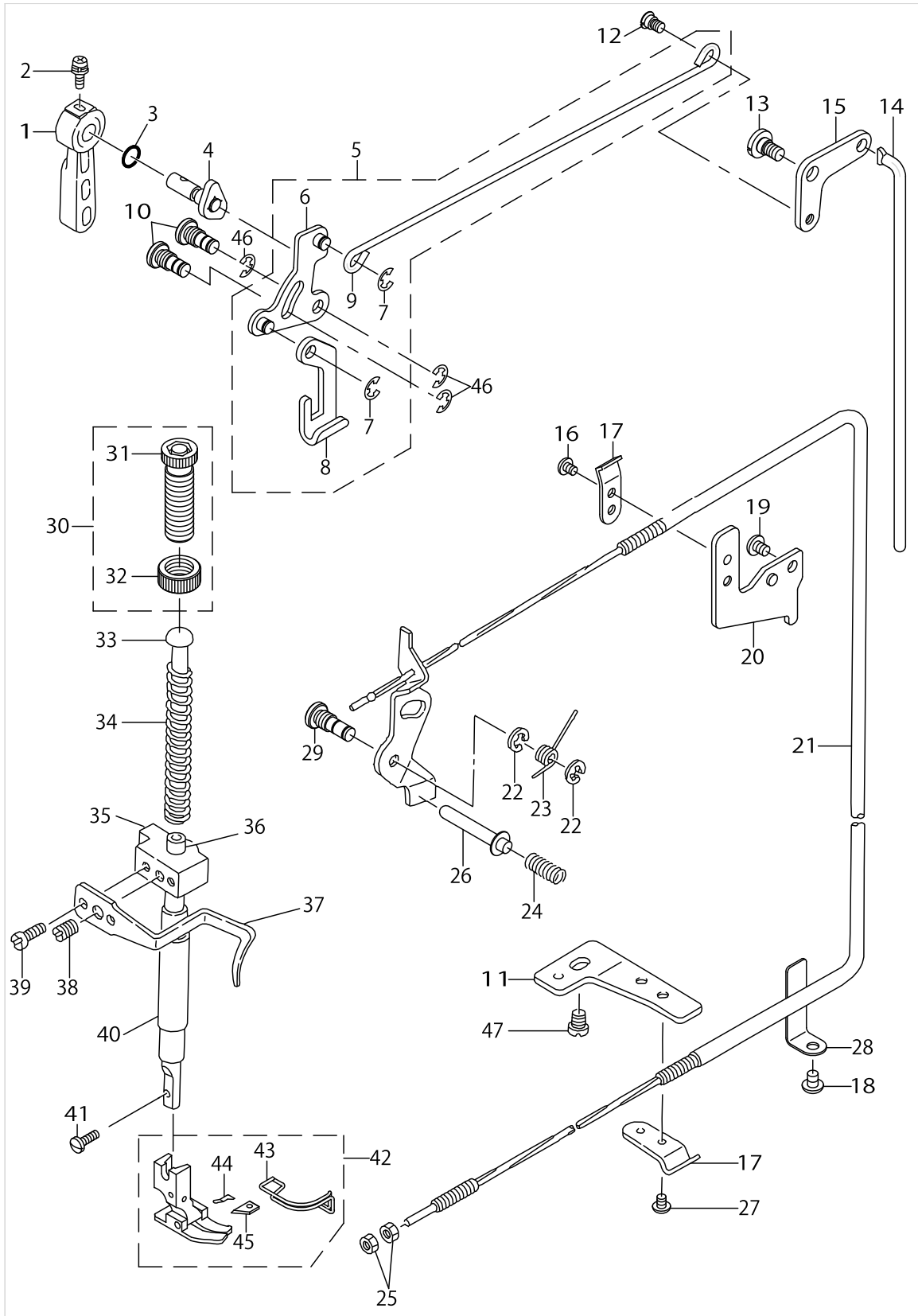
NEEDLE BAR , HOOK DRIVING SHAFT & UPRIGHT SHAFT COMPONENTS



NEEDLE BAR , HOOK DRIVING SHAFT & UPRIGHT SHAFT COMPONENTS

No.	Supply Code	Parts No.	Replacement	Parts name	Remarks	Choice	Step	Level	Cons	Qty	Rep. QTY
46		11141355		HOOK ASM.						1	
47		SS4120915SP		SCREW 3/16-28 L=9						1	

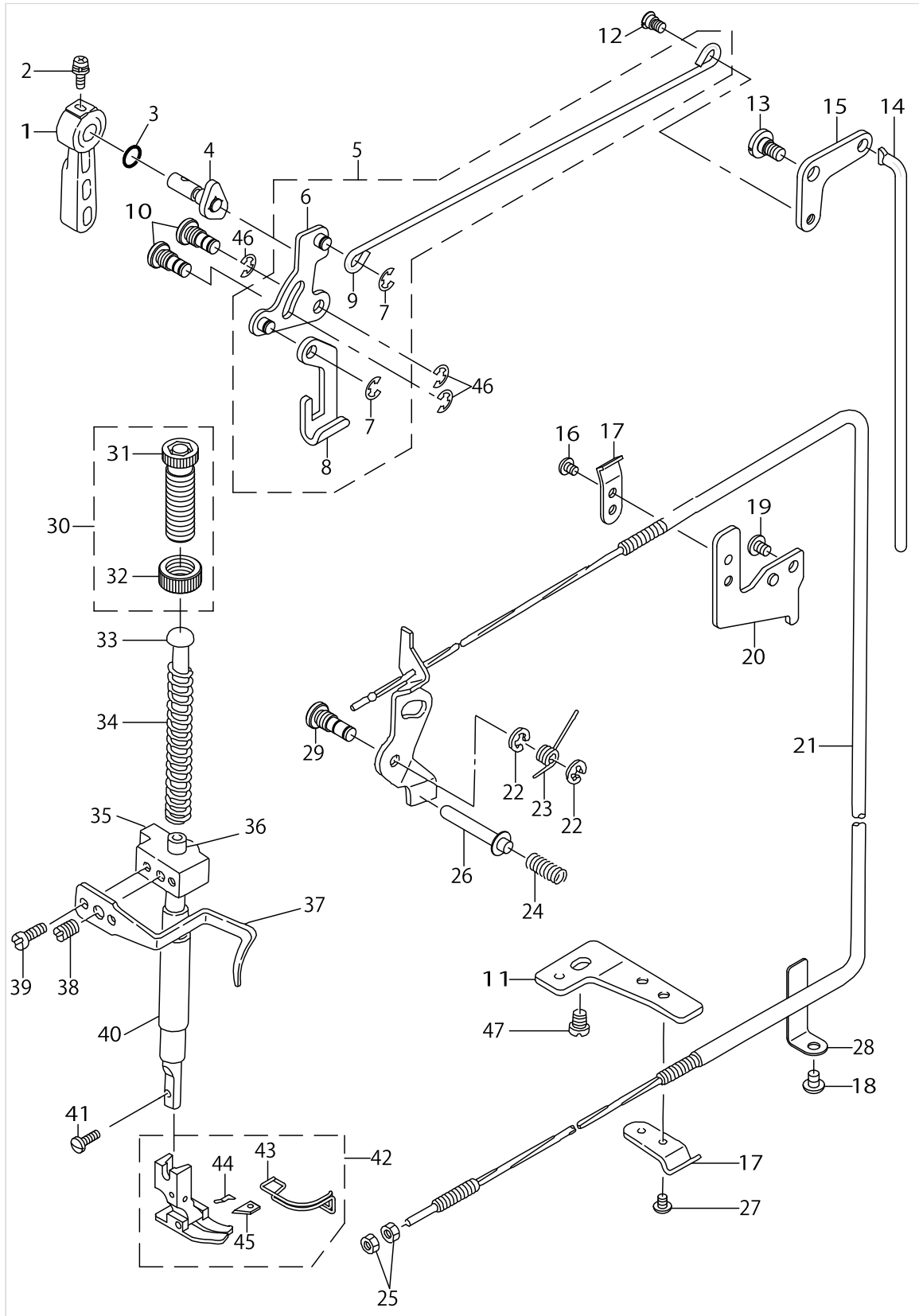
HAND LIFTER COMPONENTS



HAND LIFTER COMPONENTS

No.	Supply Code	Parts No.	Replacement	Parts name	Remarks	Choice	Step	Level	Cons	Qty	Rep. QTY
1		22907802		HAND LIFTER						1	
2		B1521555000		SCREW						1	
3		RO037180100		RUBBER RING						1	
4		22908552		HAND LIFTER CAM ASM.						1	
5		22908354		KNEE LIFTING CROSS ROD ASM.						1	
6	R	22908156	22908354	LIFTING LINK ASM.				*		1	1.00
7		RE0500000K0		E-RING				*		2	
8	R	22908008	22908354	LIFTING PLATE		A	DDL-5550 5550N 555- ON-7 5556- N-7 5600NL-7	*		1	1.00
8	R	22908008	23609357	LIFTING PLATE		B	DDL-9000A 9000B	*		1	1.00
8	R	22908008	40057398	LIFTING PLATE		C	LH-3500	*		1	1.00
8	R	22908008	40174387	LIFTING PLATE		D	DDL-9000C	*		1	1.00
9		22908305		KNEE LIFTER SIDE ROD				*		1	
10		22908701		LINK SHAFT						2	
11		22944706		WIRE PRESSER BASE, LOWER						1	
12		22908909		HINGE SCREW						1	
13		SD0720331SP		HINGE SCREW D= 7.24 H= 3.3						1	
14		22909006		KNEE LIFTER CONNECTING ROD						1	
15		22908800		KNEE LIFTER LINK						1	
16		SS4110515SP		SCREW 11/64-40 L=5						1	
17		22944508		WIRE PRESSER A						2	
18		SS4120615SP		SCREW 3/16-28 L=6						1	
19		SS4120615SP		SCREW 3/16-28 L=6						1	
20		22944607		WIRE PRESSER BASE, UPPER						1	
21	R	11045952	22944854	THREAD TENSION RELEASE WIRE						1	1.00
22		RE0500000K0		E-RING						2	
23	R	11018207	22920201	TENSION RELEASE RETURN SPRING						1	1.00
24		22920409		THREAD RELEASE PIN SPRING						1	
25		NS6620310SP		NUT 3/16-32						2	
26		22920300		THREAD RELEASE SUPPORTING PIN						1	
27		SS4110515SP		SCREW 11/64-40 L=5						1	
28		22945109		WIRE CABLE SUPPORT						1	
29		22920102		TENSION RELEASE SHAFT						1	
30		22907554		PRESSER SPRING REG NUT ASM.						1	
31	R	22907505	22907554	PRESSER SPRING REGULATOR				*		1	1.00
32	R	22907604	22907554	PRESSER SPRING REGULATOR NUT				*		1	1.00
33		22907703		PRESSER GUIDE BAR						1	
34		22907406		PRESSER SPRING						1	
35	R	11006004	22907208	PRESSER BAR GUIDE BRACKET						1	1.00
36		40017805		PRESSER BAR						1	
37		22907307		THREAD GUIDE						1	
38		SS8660810TP		SCREW 1/4-40 L=8						1	
39		SS6090910SP		SCREW 9/64-40 L=9						2	
40		40060989		PRESSER BAR BUSHING LOWER						1	
41		SS7091110TP		SCREW 9/64-40 L=10.5						1	

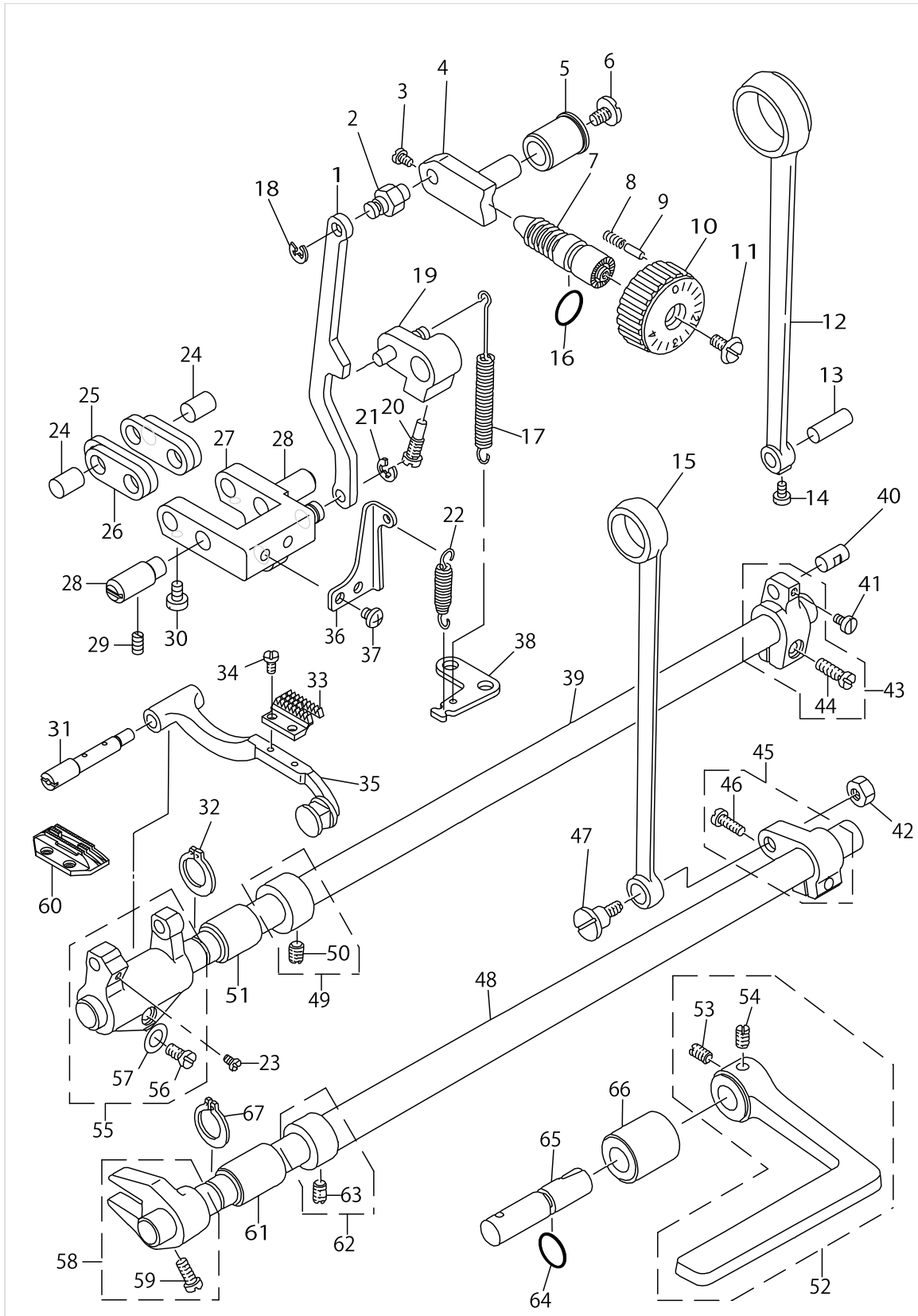
HAND LIFTER COMPONENTS



HAND LIFTER COMPONENTS

No.	Supply Code	Parts No.	Replacement	Parts name	Remarks	Choice	Step	Level	Cons	Qty	Rep. QTY
42		11434065		PRESSER FOOT ASM.						1	
43		D1421555B00		FINGER GUARD				*		1	
44		11434313		FIXING SPRING				*		1	
45		11434206		THREAD CUTTER KNIFE				*		1	
46		RE0500000K0		E-RING						3	
47		SS4150915SP		SCREW 15/64-28 L=9						1	

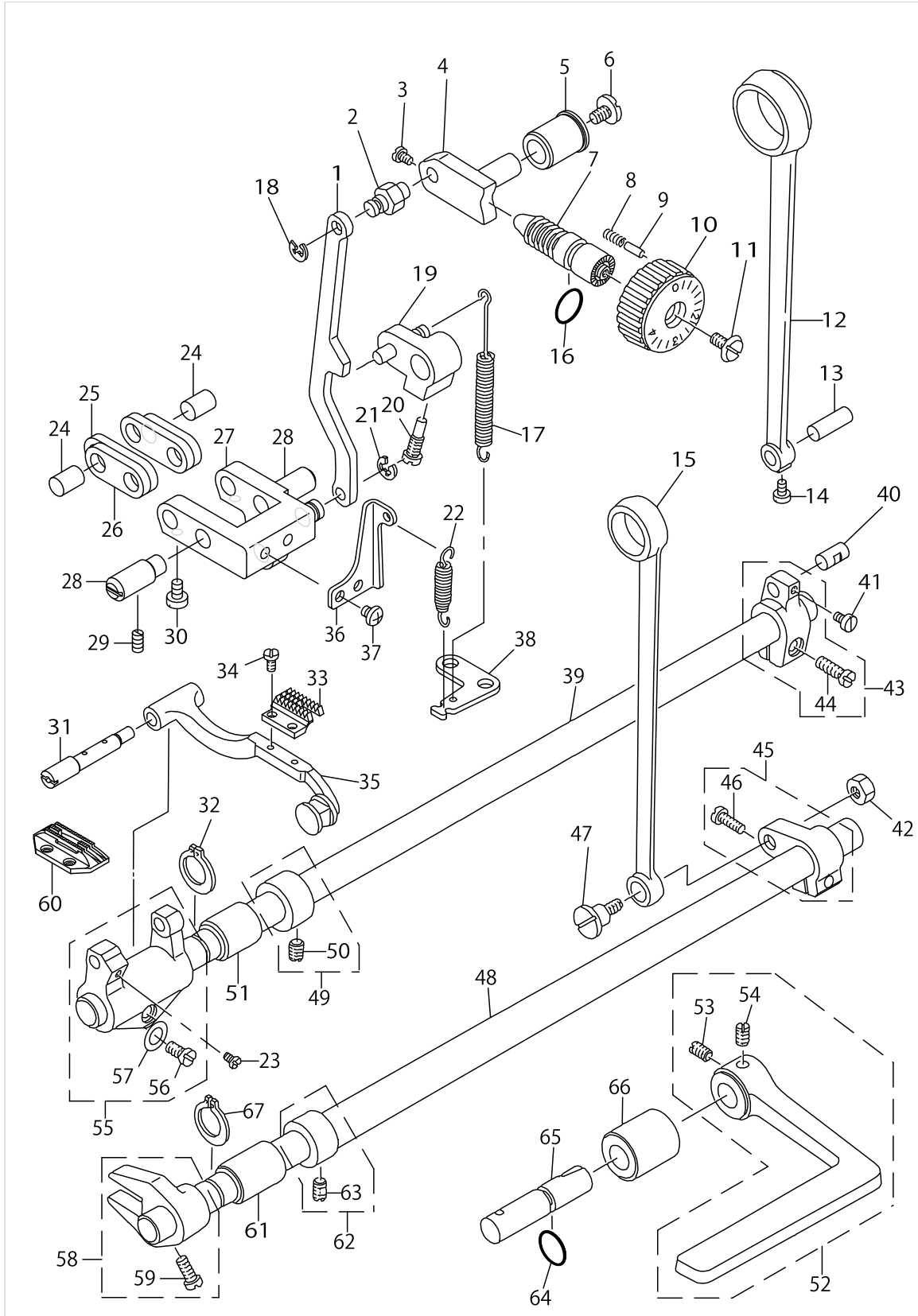
FEED MECHANISM COMPONENTS



FEED MECHANISM COMPONENTS

No.	Supply Code	Parts No.	Replacement	Parts name	Remarks	Choice	Step	Level	Cons	Qty	Rep. QTY
1		22941108		FEED ADJUST ROD						1	
2		22911507		WALKING FOOT PIN C						1	
3		SS6090670TP		SCREW 9/64-40 L=6						2	
4		22911606		FEED REGULATOR						1	
5		11009800		FEED REGULATOR BUSHING						1	
6		SS7120770SH		SCREW 3/16-28 L=7						1	
7		22911804		FEED REGULATOR SCREW						1	
8		22912109		FEED REGULATOR PIN SPRING						1	
9		22912000		FEED REGULATOR PIN						1	
10		22940506		FEED DIAL						1	
11		SS6121860SP		SCREW 3/16-28 L=18						1	
12	R	11008208	22910251	ROCKER SHAFT CO- NNECTING ROD						1	1.00
13		22911101		WALKING FOOT PIN C						1	
14		SS6090620TP		SCREW						1	
15	R	11014008	22915003	CONNECTING ROD						1	1.00
16		RO092270200		RUBBER RING						1	
17	R	11010303	11010311	FEED REVERSE SPRING						1	1.00
18		RE0500000K0		E-RING						1	
19	R	11010154	22912257	FEED REVERSE ARM ASM.						1	1.00
20	R	11010410	22912505	FEED REVERSE ARM SCREW						1	1.00
21		RE0500000K0		E-RING						1	
22		11037405		SPRING						1	
23		SS7110740TP		SCREW 11/64-40 L=7						1	
24		22910905		WALKING FOOT PIN A						2	
25	R	11008703	40089548	WALKING FOOT LINK						2	1.00
26	R	11008604	40093417	CONNECTING LINK A						2	1.00
27		22940951		FEED ADJUST LINK ASM.						1	
28		22910806		ADJUST LINK FULCRUM SHAFT A						2	
29		SS8150710TP		SCREW 15/64-28 L=7						2	
30		SS6090620TP		SCREW						2	
31		22940803		FEED BAR SHAFT						1	
32		RC0150001KP		RETAINING RING 13.8						1	
33		11417714		FEED DOG A	FOR DDL-5556NC-7					1	
34		SS4080620TP		SCREW 1/8-44 L=6						2	
35		22940753		FEED BAR ASM.						1	
36		22941306		REGULATOR LINK SPRING HOOK						1	
37		SS4110515SP		SCREW 11/64-40 L=5						2	
38		22913701		FEED SPRING HOOK						1	
39		22912901		FEEDROCKERSHAFT						1	
40		22911002		WALKING FOOT PIN B						1	
41		SS6090620TP		SCREW						1	
42		NS6680410SP		NUT 9/32-28						1	
43		22910350		FEED ROCKER SHA- FT CRANK ASM.						1	
44		SS6121610SP		SCREW 3/16-28 L=15.5					*	1	
45		22915151		FEED ARM COMPL.						1	

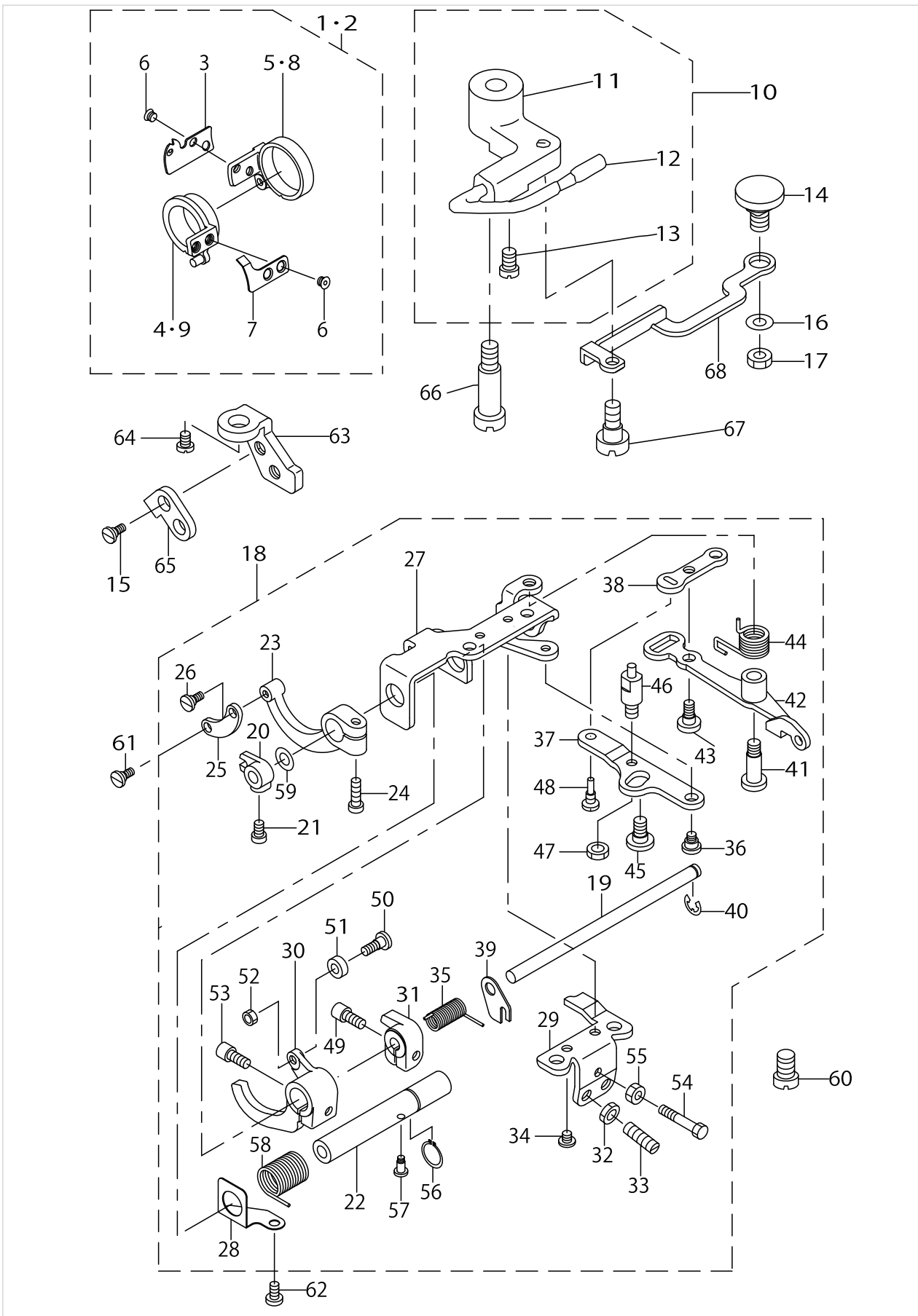
FEED MECHANISM COMPONENTS



FEED MECHANISM COMPONENTS

No.	Supply Code	Parts No.	Replacement	Parts name	Remarks	Choice	Step	Level	Cons	Qty	Rep. QTY
46		SS7121610SP		SCREW 3/16-28 L=15.5				*		1	
47		SD1000801SH		HINGE SCREW D=10 H=8						1	
48		22915201		FEED DRIVING SHAFT						1	
49		22904155		MAIN SHAFT THRU-ST COLLAR ASM.						1	
50		SS8660610TP		SCREW 1/4-40 L=6				*		2	
51		22913008		FEED ROCKER SHAFT BUSHING						1	
52		22912752		FEED LEVER ASM.						1	
53		SM8061010TP		SCREW				*		1	
54		SM8061050TP		SCREW				*		1	
55		22940654		FEED ROCKER ASM.						1	
56		SS7121410TP		SCREW 3/16-28 L=14				*		1	
57		WP0480856SP		WASHER 4.8X8.4X0.8				*		1	
58		22915359		DRIVING SHAFT CRANK ASM.						1	
59	R	SS7111120SP	SS7111120TP	SCREW 11/64-40 L=10.5				*		1	1.00
60		B1613012I00		FEED DOG I	FOR EXPO-RT & DDL--5556ND-7					1	
61	R	11010907	22913008	FEED ROCKER SHAFT BUSHING						1	1.00
62		22904155		MAIN SHAFT THRU-ST COLLAR ASM.						1	
63		SS8660610TP		SCREW 1/4-40 L=6				*		2	
64		RO078190100		RUBBER RING						1	
65		22912604		FEED REVERSE SHAFT						1	
66	R	11010709	22912802	FEED LEVER METAL						1	1.00
67		RC0150001KP		RETAINING RING 13.8						1	

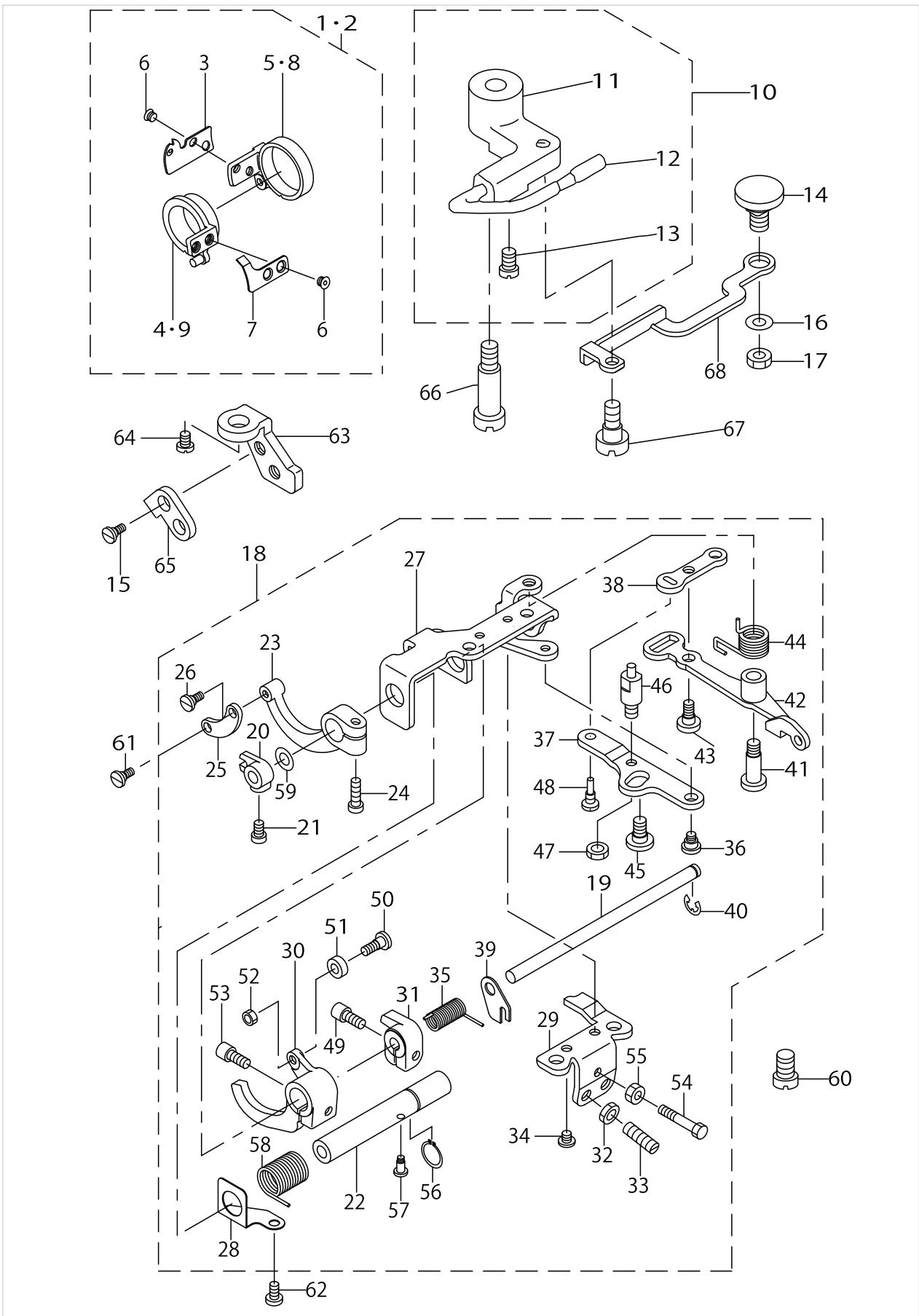
THREAD TRIMMER COMPONENTS (1)



THREAD TRIMMER COMPONENTS (1)

No.	Supply Code	Parts No.	Replacement	Parts name	Remarks	Choice	Step	Level	Cons	Qty	Rep. QTY
1	D	11420155		KNIFE UNIT	FOR EXPORT					1	
2		11497153		KNIFE UNIT	FOR DDL-- 5556NC-7,- DDL-5556ND-7					1	
3		11420205		LOOP SPREADING KNIFE				*		1	
4		11420353		KNIFE BASE ASM.				*		1	
5		11420502		LOOP SPREADING BASE				*		1	
6		11420601		SCREW				*		4	
7		11420106		THREAD CUTTER KNIFE				*		1	
8		11497104		THREAD SPREADING BASE	FOR DDL-- 5556NC-7,- DDL-5556ND-7			*		1	
9	R	11497054	11497153	KNIFE BASE ASM.	FOR DDL-- 5556NC-7,- DDL-5556ND-7			*		1	1.00
10		11422250		PICKER ARM						1	
11		11422201		PICKER ARM				*		1	
12		22950356		HOOK THREAD PRESSER ASM.				*		1	
13		SS6090510TP		SCREW 9/64-40 L=5.0				*		2	
14		22950000		PICKER LINK PIN						1	
15		SS4090515SP		SCREW 9/64-40 L=5						2	
16		WP0621016SH		WASHER						1	
17		NS6150430SP		NUT 15/64-28						1	
18		11420759		THREAD CUTTER DRIVING UNIT						1	
19		11420700		THREAD CUTTER KNIFE SHAFT				*		1	
20		11421500		KNIFE DRIVING ARM				*		1	
21		SS7110740TP		SCREW 11/64-40 L=7				*		1	
22		11420809		LOOP SPREADING SHAFT				*		1	
23		11421302		LOOP SPREADING ARM				*		1	
24		SS7111410TP		SCREW 11/64-40 L=14				*		1	
25		11421401		LOOP SPREADING CONNECTING LINK				*		1	
26		SD0500251SP		HINGE SCREW D= 5 H= 2.5				*		1	
27		11420908		BASE PLATE				*		1	
28		11421807		GREASE RETAINING PLATE				*		1	
29		11421005		STOPPER PLATE				*		1	
30		11421104		LOOP SPREADING ARM				*		1	
31		11421203		KNIFE DRIVING STITCH TONGUE				*		1	
32		NS6110430SP		NUT 11/64-40				*		2	
33		SS8152030SP		SCREW 15/64-28 L=20				*		2	
34		SS6110480SP		SCREW 11/64-40 L=4.3				*		2	
35		D2423530D00		SPRING				*		1	
36		SD0640321TP		HINGE SCREW D=6.35 H=3.2				*		1	
37		11421906		CLUTCH PLATE				*		1	
38		11422102		CLUTCH LINK				*		1	
39		11421708		SPRING HOOK				*		1	
40		RE0500000K0		E-RING				*		1	
41		SD0701511TP		HING SCREW D=7 H=15.1				*		1	
42		11422052		TENSION RELEASING LEVER ASM.				*		1	
43		SD0600361SP		HINGE SCREW D=6 H=3.6				*		1	

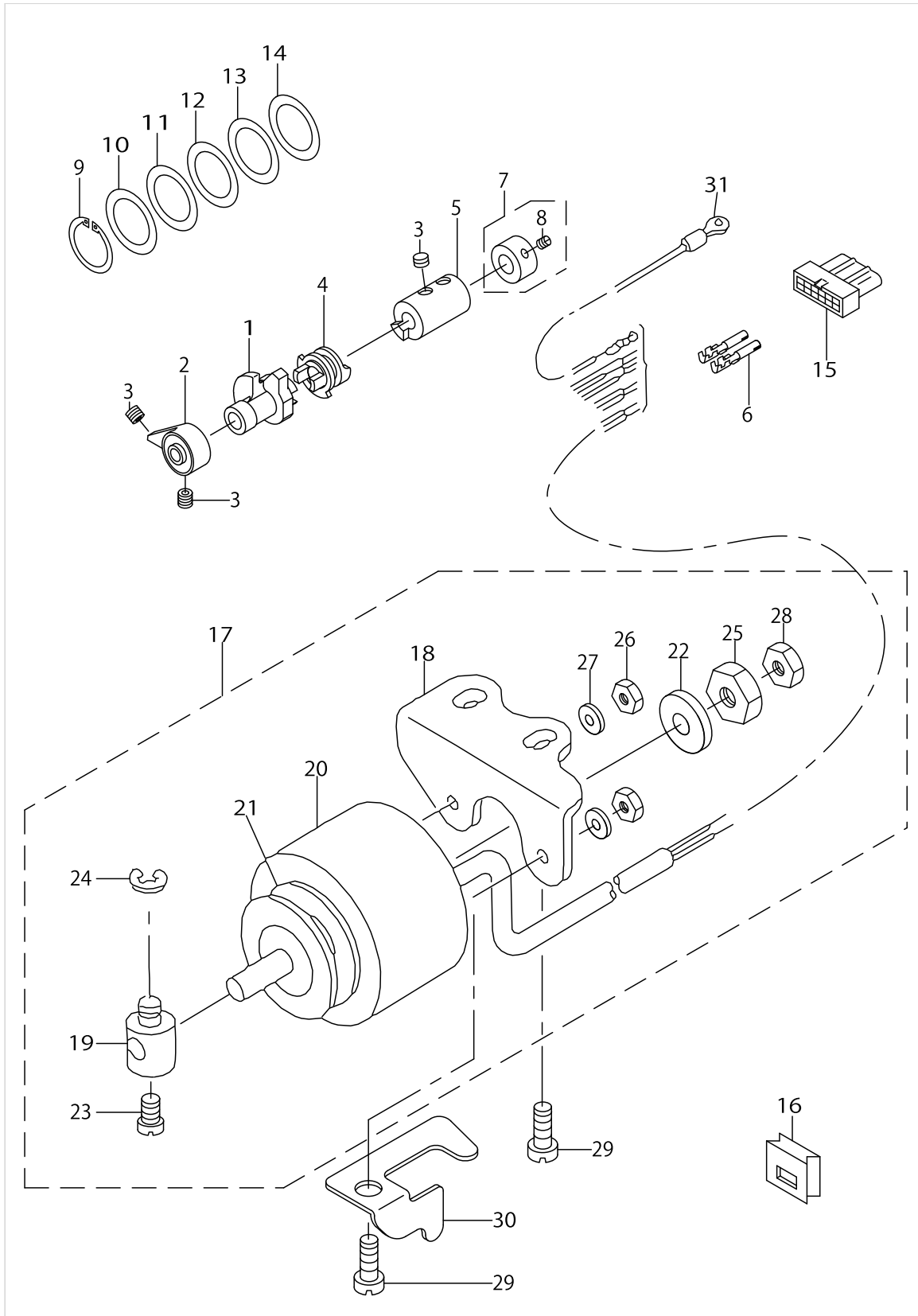
THREAD TRIMMER COMPONENTS (1)



THREAD TRIMMER COMPONENTS (1)

No.	Supply Code	Parts No.	Replacement	Parts name	Remarks	Choice	Step	Level	Cons	Qty	Rep. QTY
44		11353505		SPRING				*		1	
45		SD0720331SP		HINGE SCREW D= 7.24 H= 3.3				*		1	
46		D2420530D00		CLUTCH DRIVING PIN				*		1	
47		NS6150310SP		NUT 15/64-28				*		1	
48		11352804		SCREW PIN, B				*		1	
49		SS6621212TP		SCREW 3/16-32 L=12.0				*		1	
50		SD0500402SP		HINGE SCREW D= 5 H= 4				*		1	
51		D2422530D00		CAM ROLLER				*		1	
52		NS6110310SP		NUT 11/64-40				*		1	
53		SS6621212TP		SCREW 3/16-32 L=12.0				*		1	
54		SS9112420TP		SCREW 11/64-40 L=24				*		1	
55		NS6110420SP		NUT 11/64-40				*		1	
56		RC1200001KP		C-SHAPED SNAP RING				*		1	
57		SD0380551SL		HINGE SCREW D= 3.80 H= 5.5				*		1	
58		11421609		LOOP SPREAD SPRING				*		1	
59		WP0651056SH		WASHER 6.5X11X1				*		1	
60		SS9151120CP		SCREW 15/64-28 L=11						2	
61		SD0500251SP		HINGE SCREW D= 5 H= 2.5						1	
62		SS7110840SP		SCREW 11/64-40 L=7.8						1	
63		11422805		STOPPER BASE						1	
64		SS4110715SP		SCREW 11/64-40 L=7						1	
65		11422904		STOPPER PLATE						1	
66		SD0641452TP		HINGE SCREW D=6.35 H=14.5						1	
67		SD0630275SP		HINGE SCREW D= 6.35 H= 2.7						1	
68		11420007		PICKER LINK						1	

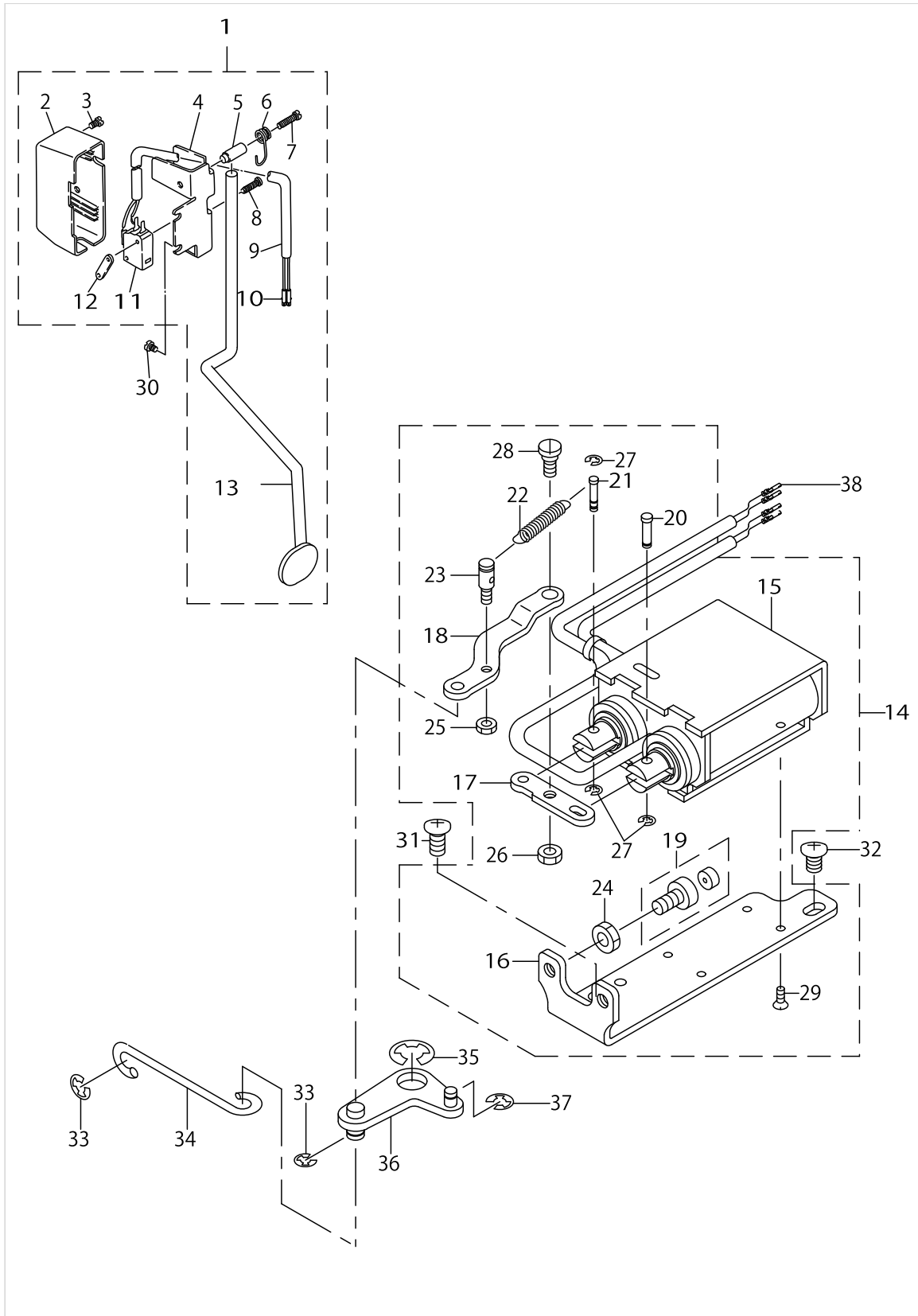
THREAD TRIMMER COMPONENTS (2)



THREAD TRIMMER COMPONENTS (2)

No.	Supply Code	Parts No.	Replacement	Parts name	Remarks	Choice	Step	Level	Cons	Qty	Rep. QTY
1		11419108		THREAD CUTTER CAM						1	
2		11419405		SAFETY CAM						1	
3		SS8660612TP		SCREW 1/4-40 L=6						4	
4		11419306		CLUTCH						1	
5		11419207		THREAD CUTTER D-RIVING COLLAR						1	
6		HK03464000B		PIN CONTACT						2	
7		22950950		CAM COLLAR ASM.						1	
8		SS8110520TP		SCREW 11/64-40 L= 4.5				*		1	
9		RC2651218KP		RETAINING RING						1	
10		11419603		THRUST COLLAR, B	SELECTIVE PARTS					1	
11		11419504		THRUST COLLAR, A	SELECTIVE PARTS					1	
12		11419702		THRUST COLLAR, C	SELECTIVE PARTS					1	
13		11419801		THRUST COLLAR, D	SELECTIVE PARTS					1	
14		11419900		THRUST COLLAR, E	SELECTIVE PARTS					1	
15		HK034610140		HOUSING 14P						1	
16		11345600		OIL RUBBER						1	
17	D	11496353		SOLENOID UNIT						1	
18		11422300		SOLENOID BASE				*		1	
19		22951008		SOLENOID PIN				*		1	
20	R	11043908	40106930	THREAD TRIMMER SOLENOID				*		1	1.00
21		11043205		SOLENOID RUBBER A				*		1	
22		11043304		SOLENOID RUBBER				*		1	
23		SS6110710TP		SCREW 11/64-40 L= 6.5				*		1	
24		RE0500000K0		E-RING				*		1	
25		NS6660410SH		NUT				*		1	
26		NM6040000SN		NUT M4				*		2	
27		WP0450000SD		WASHER 4.5X8X0.5				*		2	
28		NS6660430SP		NUT 1/4-40				*		1	
29		SS4151215SP		SCREW 15/64-28L=12						2	
30		22962708		TUBE HOLDER, LOWER						1	
31		22951552		GROUND WIRE ASM.						1	

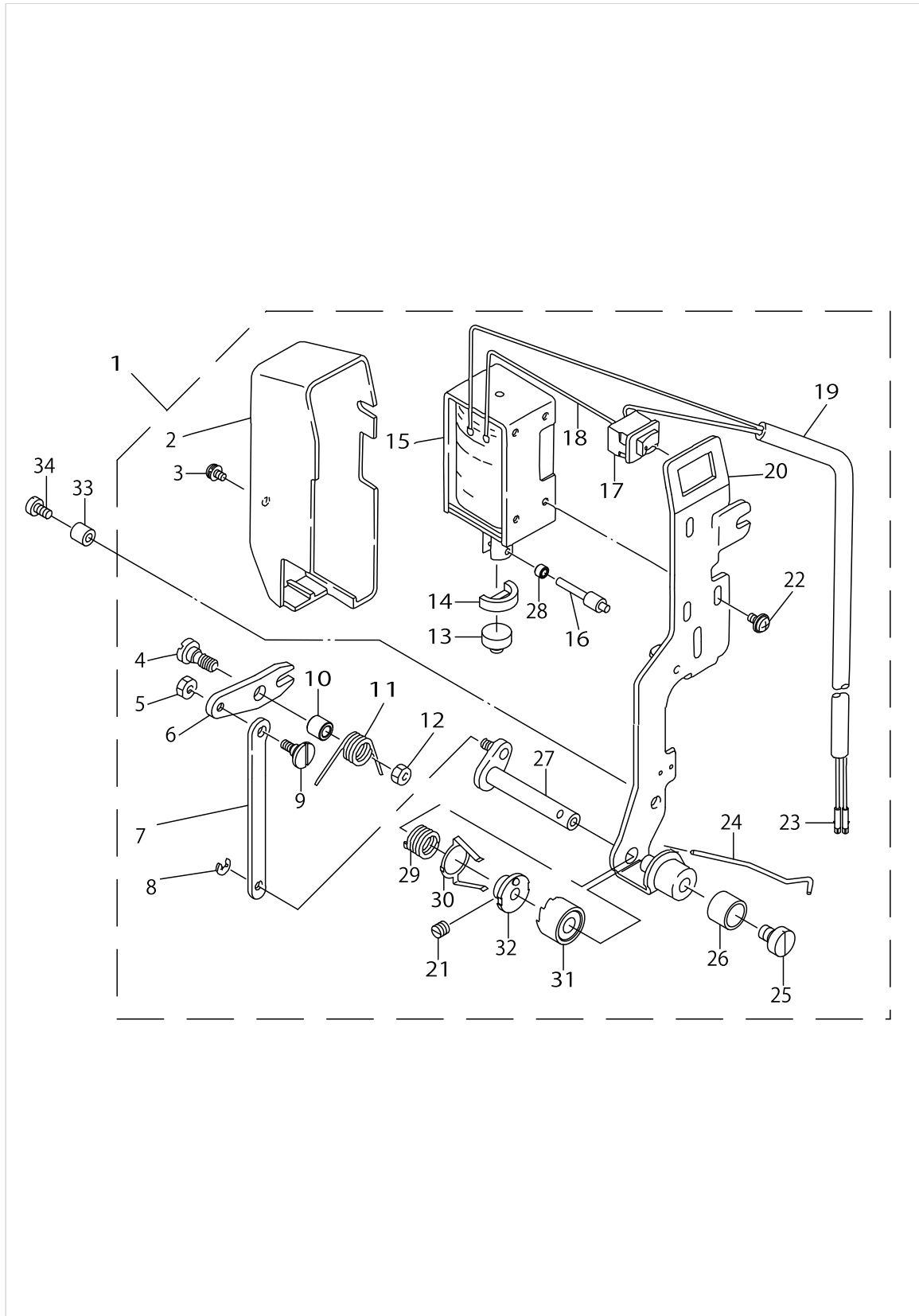
AUTOMATIC REVERSE FEED COMPONENTS



AUTOMATIC REVERSE FEED COMPONENTS

No.	Supply Code	Parts No.	Replacement	Parts name	Remarks	Choice	Step	Level	Cons	Qty	Rep. QTY
1		11496551		REVERSE FEED SWITCH ASM.						1	
2		22954606		REVERSE FEED SWITCH COVER				*		1	
3		SM4040655SP		SCREW M4 L=6				*		1	
4		22954101		REVERSE FEED SWITCH BASE				*		1	
5		22954200		REVERSE FEED SWITCH SHAFT				*		1	
6		22954309		REVERSE FEED SWITCH SPRING				*		1	
7		SM4041655SP		SCREW M4 L=16				*		1	
8		SM4031501SC		SCREW M3 L=15				*		2	
9		HW500070000		2-CORE CABTYRE CORD				*		1.4	
10		HK03464000B		PIN CONTACT				*		2	
11		HA001900000		MICROSWITCH				*		1	
12	R	11102308	22954408	MICRO SWITCH PLATE				*		1	1.00
13		11424652		REVERSE FEED SWITCH LEVER ASM.				*		1	
14	D	11496460		TWIN SOLENOID UNIT						1	
15	D	11496452		TWIN SOLENOID ASM.				*		1	
16		11423605		TWIN SOLENOID BRACKET				*		1	
17		11423704		PLUNGER LINK				*		1	
18		11423803		CONNECTOR LINK				*		1	
19		11423951		LIMITER ASM.				*		1	
20		11424009		PLUNGER PIN				*		1	
21		11424108		PLUNGER PIN, LEFT				*		1	
22		11424306		LOCK SPRING				*		1	
23		11424405		LOCK SPRING HOOK				*		1	
24		NM6060003SC		NUT M6				*		1	
25		NM6040003SC		NUT M4				*		1	
26		NS6620310SP		NUT 3/16-32				*		1	
27		RE0300000KP		E-RING				*		3	
28		SD0640323TP		HINGE SCREW D= 6.35 H= 3.2				*		1	
29		SM1030601SA		SCREW M3 L=6				*		4	
30		SS4120915SP		SCREW 3/16-28 L=9						1	
31		SS4151215SP		SCREW 15/64-28L=12						1	
32		SS4150915SP		SCREW 15/64-28 L=9						1	
33		RE0500000KP		E-RING 5						2	
34		11101300		REVERSE FEED CONNECTING SHAFT						1	
35		RE0900000K0		E-RING 9						1	
36		22953657		AUTO-BACK ARM ASM.						1	
37		RE0400000KP		E-RING 4						1	
38		HK03464000B		PIN CONTACT						4	

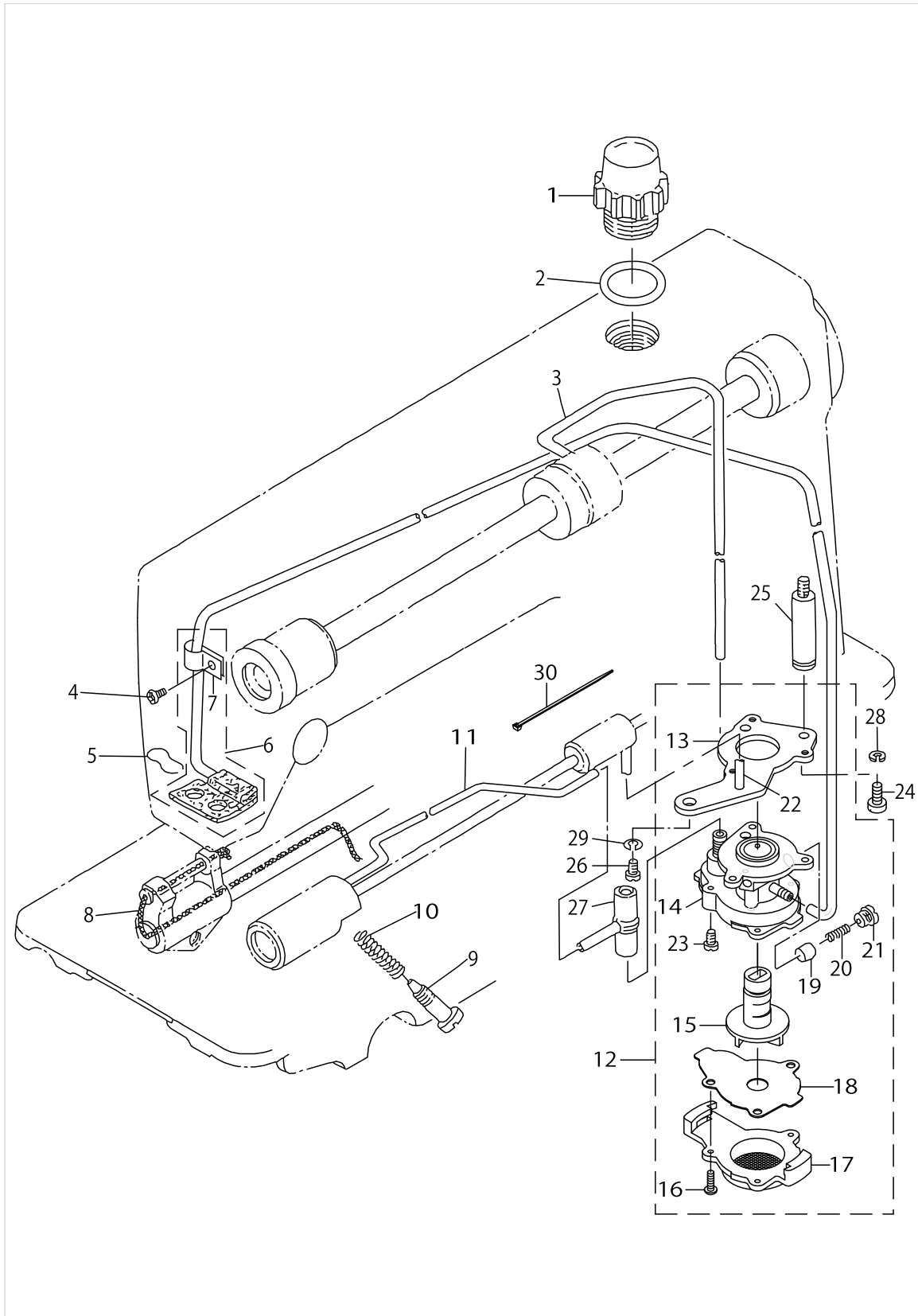
WIPER COMPONENTS



WIPER COMPONENTS

No.	Supply Code	Parts No.	Replacement	Parts name	Remarks	Choice	Step	Level	Cons	Qty	Rep. QTY
1	D	11496650		WIPER ASM.						1	
2		11425907		WIPER COVER				*		1	
3		SL4030631SC		SCREW M3X6				*		1	
4		SD0650321TP		HINGE SCREW D=6.5 H=3.2				*		1	
5		NS6090310SP		NUT 9/64-40				*		1	
6		22956106		WIPER LINK A				*		1	
7		11425204		WIPER LINK, B				*		1	
8		RE0250000K0		E-RING 2.5				*		1	
9		22956908		WIPER LINK B HINGE SCREW				*		1	
10		22956205		WIPER HINGE SCREW COLLAR				*		1	
11		22956304		WIPER SPRING				*		1	
12		NS6110310SP		NUT 11/64-40				*		1	
13		22955900		WIPER RUBBER A				*		1	
14		22956007		WIPER RUBBER B				*		1	
15	R	11110301	40106936	WIPER SOLENOID				*		1	1.00
16		22957104		WIPER SOLENOID SHAFT				*		1	
17		HA006000000		SWITCH				*		1	
18		HW200390000		ELECTRIC WIRE				*		0.04	
19		HW500070000		2-CORE CABTYRE CORD				*		1.33	
20	D	11425055		WIPER BASE ASM.				*		1	
21		SS8080310TP		SCREW 1/8-44 L=2.8				*		2	
22		SL4030641SE		SCREW				*		3	
23		HK03464000B		PIN CONTACT				*		2	
24		11424801		WIPER				*		1	
25		SS6090540SP		SCREW 9/64-40 L=5.0				*		1	
26		22956809		WIPER COLLAR				*		1	
27		11424959		WIPER SHAFT ASM.				*		1	
28		22957203		WIPER LINK COLLAR				*		1	
29		11429107		SLIDE SPRING				*		1	
30		11422706		STOPPER SPRING, B				*		1	
31		11425659		RATCHET ASM.				*		1	
32		11425451		FOLLOWER ASM.				*		1	
33		D2121555D00		BRACKET INSTALLING COLLAR						1	
34		SS6121840SP		SCREW 3/16-28 L=18						1	

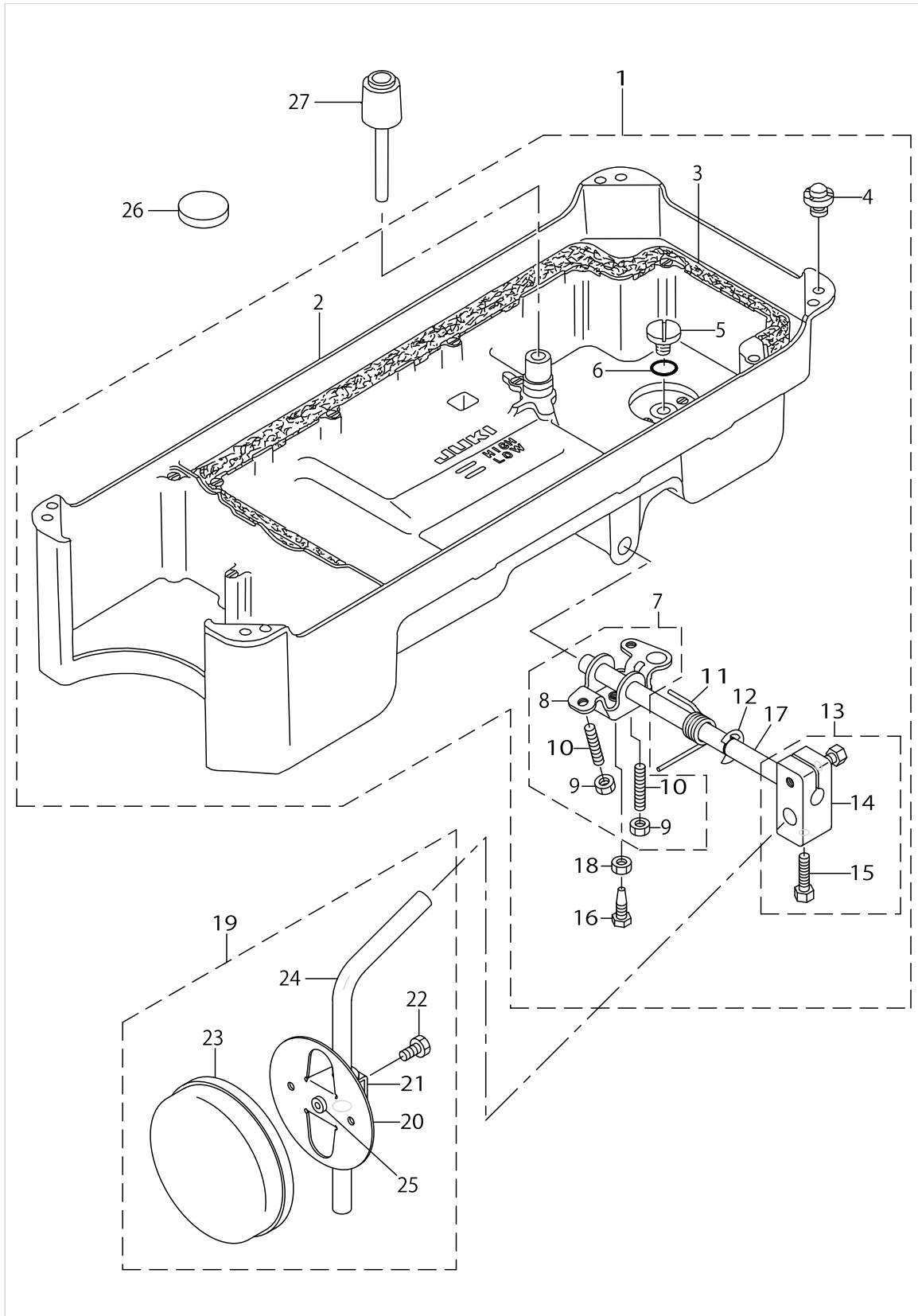
OIL LUBRICATION COMPONENTS



OIL LUBRICATION COMPONENTS

No.	Supply Code	Parts No.	Replacement	Parts name	Remarks	Choice	Step	Level	Cons	Qty	Rep. QTY
1	R	22947006	22924708	OIL SIGHT WINDOW						1	1.00
2		RO195240100		RUBBER RING						1	
3		22924401		MAINSHAFTOILTUBE						1	
4		SS4120615SP		SCREW 3/16-28 L=6						1	
5		22925101		OIL FELT PRESSER						1	
6		22924153		RETURN PIPE ASM.						1	
7		22924302		RETURN PIPE HOLDER				*		1	
8		CQ252000000		OIL WICK						.3	
9		22925002		OIL REGULATOR SCREW						1	
10		22924906		OIL REGULATOR SCREW SPRING						1	
11		11094109		OIL TUBE						1	
12		11418852		LUBRICATING OIL PUMP ASM.						1	
13		11418803		ADJUSTING PLATE				*		1	
14	R	22923015	22923056	OIL PUMP				*		1	1.00
15		22923700		IMPELLER				*		1	
16		SE4301041SR		SCREW D=3 L=10				*		3	
17		22923205		PUMP BODY COVER				*		1	
18		22923809		PUMP BODY SUPPORT PLATE				*		1	
19		22923403		PLUNGER				*		1	
20		22923601		PLUNGER SPRING				*		1	
21		22923502		PLUNGER SCREW				*		1	
22		22923908		HOOK DRIVING SH- AFT OILING PIPE				*		1	
23		SL4030851SF		SCREW M3 L=8				*		3	
24		SS6111010TP		SCREW 11/64-40 L= 9.5						1	
25		22947105		PUMP BODY STRUT						1	
26		SS4150915SP		SCREW 15/64-28 L=9						1	
27		22924609		RUBBER JOINT						1	
28		WS0451040KP		SPRING WASHER 4.5X8.5X1						1	
29		WS0651310KP		SPRING WASHER 6.5X11X1.3						1	
30		EA9500B0100		CABLE BAND						1	

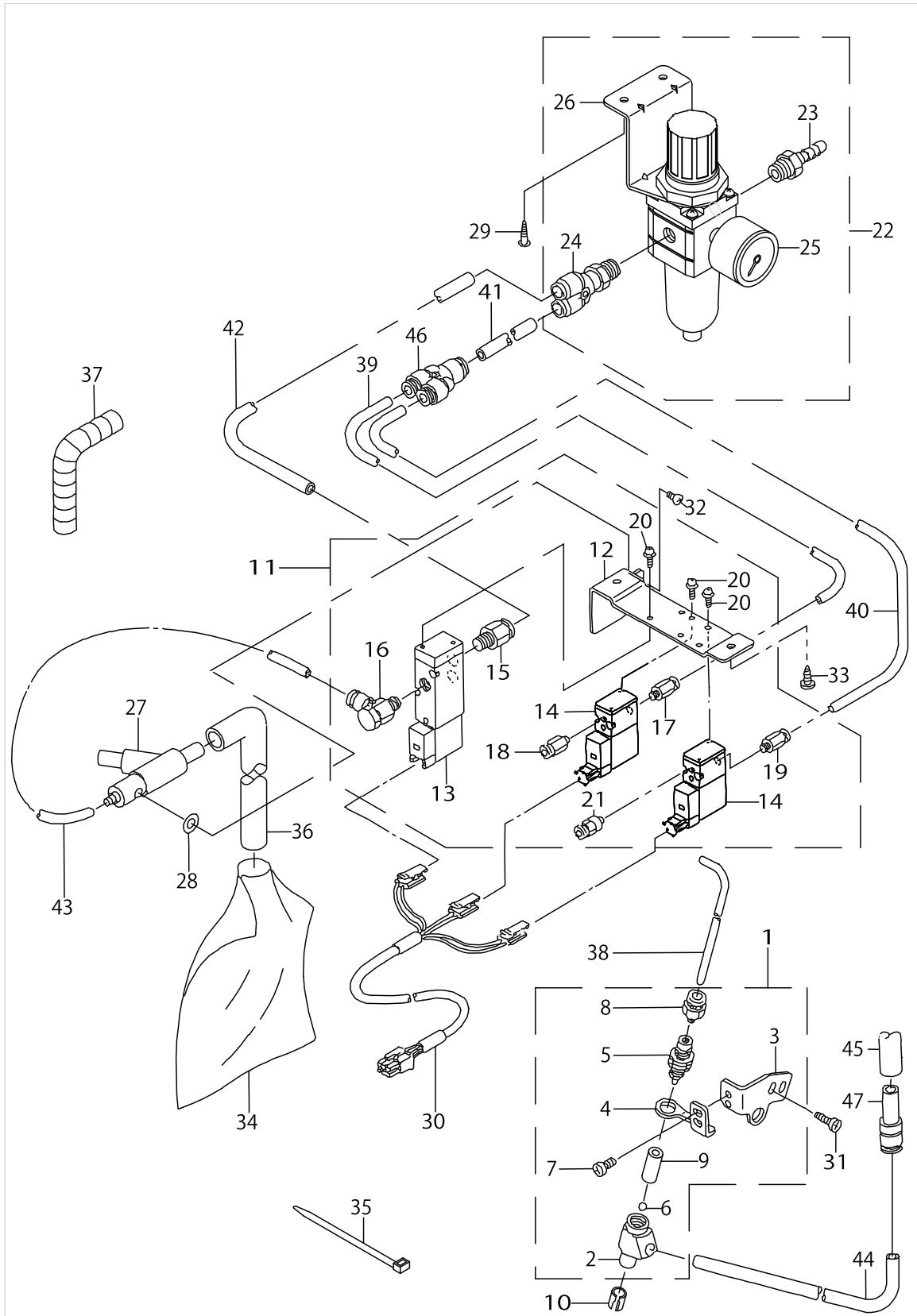
OIL RESERVOIR COMPONENTS



OIL RESERVOIR COMPONENTS

No.	Supply Code	Parts No.	Replacement	Parts name	Remarks	Choice	Step	Level	Cons	Qty	Rep. QTY
1		11428158		OIL RESERVOIR ASM.						1	
2		11428109		OIL RESERVOIR				*		1	
3		11024700		GASKET				*		1	
4		11047107		RUBBER CUSHION				*		4	
5		SS6700710SH		SCREW 5/16-24 L=7				*		1	
6		RO098240100		RUBBER RING				*		1	
7		22932156		KNEE LIFTER ROTATION ARM ASM.				*		1	
8	R	22932107	22932156	CONNECTING ROT, VERTICAL				*		1	1.00
9		NM6060001SE		NUT M6				*		2	
10		SM8063012TR		SCREW M6 L=30				*		2	
11		22932206		SPRING				*		1	
12		RE1000000K0		E-RING 10				*		1	
13		22932453		BRACKET ASM.				*		1	
14	R	22932404	22932453	BRACKET				*		1	1.00
15		22934707		SCREW				*		2	
16		SM9062563TR		SCREW M6 L=25				*		1	
17		22932305		KNEE PRESS ROD				*		1	
18		NM6060001SE		NUT M6				*		1	
19		22934251		KNEE PAD PLATE ASM.						1	
20		22934202		KNEE PAD PLATE				*		1	
21		22934301		KNEE PAD PLATE SUPPORT				*		1	
22		SM9061203SE		SCREW M6 L=12				*		1	
23		22934509		KNEE PAD PLATE COVER				*		1	
24		22934608		KNEE PAD UPRIGHT SHAFT				*		1	
25		22934400		KNEE PAD PLATE RUBBER				*		1	
26		B8228125000		OIL RESERVOIR MAGNET						1	
27	R	11024304	22931703	KNEE PRESS LIFTER ROD						1	1.00

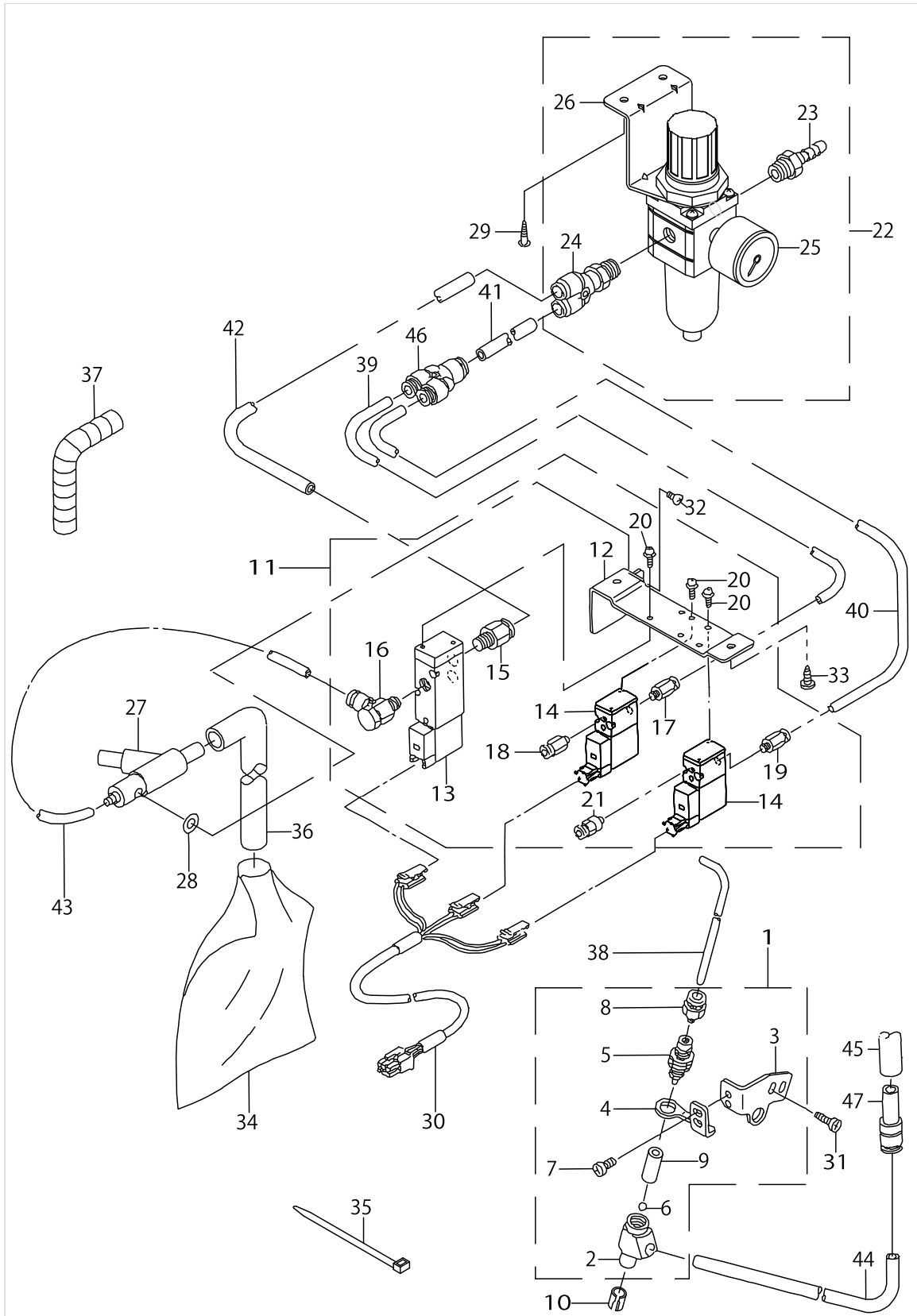
THREAD HOLDER & AIR COMPONENTS



THREAD HOLDER & AIR COMPONENTS

No.	Supply Code	Parts No.	Replacement	Parts name	Remarks	Choice	Step	Level	Cons	Qty	Rep. QTY
1		11429354		CLAMP HEAD ASM.						1	
2		11429305		CLAMP HEAD				*		1	
3		11426103		CLAMP BASE, A				*		1	
4		11429404		CLAMP BASE, B				*		1	
5		11429008		CLAMP CYLINDER				*		1	
6		11428505		CLAMP BALL				*		1	
7		SS7110710SP		SCREW 11/64-40 L=7				*		2	
8		PJ301040501		HALF UNION M5 D=4				*		1	
9		11427705		HEAD BUSH				*		1	
10		11427309		HEAD COVER						1	
11		11426368		SOLENOID VALVE ASM.						1	
12		11426301		SOLENOID VALVE ADJUSTING BASE				*		1	
13		PV135103000		3-PORT SOLENOID VALVE				*		1	
14		PV130524000		3 PORT SOLENOID VALVE				*		2	
15		PJ301085102		JOINTING				*		1	
16		PJ304085103		SWING ELBOW				*		1	
17		PJ301060501		UNION				*		1	
18		PJ301040501		HALF UNION M5 D=4				*		1	
19		PJ301060501		UNION				*		1	
20		SL4030881SF		SCREW M3 L=8				*		6	
21		PJ301040501		HALF UNION M5 D=4				*		1	
22		11427960		AIR FILTER ASM.						1	
23		PJ032526001		HOSE NIPPLE				*		1	
24		PJ308085201		Y-UNION				*		1	
25		40003560		REGULATOR ASM.				*		1	
26		PF902005000		REGULATOR BRACKET				*		1	
27		F10120030A0		NOZZLE ASM.						1	
28		B1155771000		CUSHION						1	
29	R	SK3412000SC	SK3412000SE	WOOD SCREW D=4.1 L=20						2	1.00
30		11496759		SOLENOID VALVE CORD ASM.						1	
31		SS7110840SP		SCREW 11/64-40 L=7.8						2	
32		SS4110715SP		SCREW 11/64-40 L=7						1	
33	R	SK3412000SC	SK3412000SE	WOOD SCREW D=4.1 L=20						2	1.00
34		11428802		DUST BAG						1	
35		HX00292000A		CONNECTING PART						1	
36		BT1601001Z0		TUBE						.3	
37		HX00307000C		CABLE CLAMP						.5	
38		BT0400251EB		URETHANE HOSE, BLACK						1.4	
39		BT0600401EB		TUBE						.2	
40		BT0600401EB		TUBE						.2	
41		BT0800501EB		VINYL TUBE						.1	
42		BT0800501EB		VINYL TUBE						.3	
43		BT0600401EB		TUBE						.1	
44		BT0800501EB		VINYL TUBE						1.3	
45		BT1601001Z0		TUBE						.1	
46		PJ308080001		UNION, Y						1	

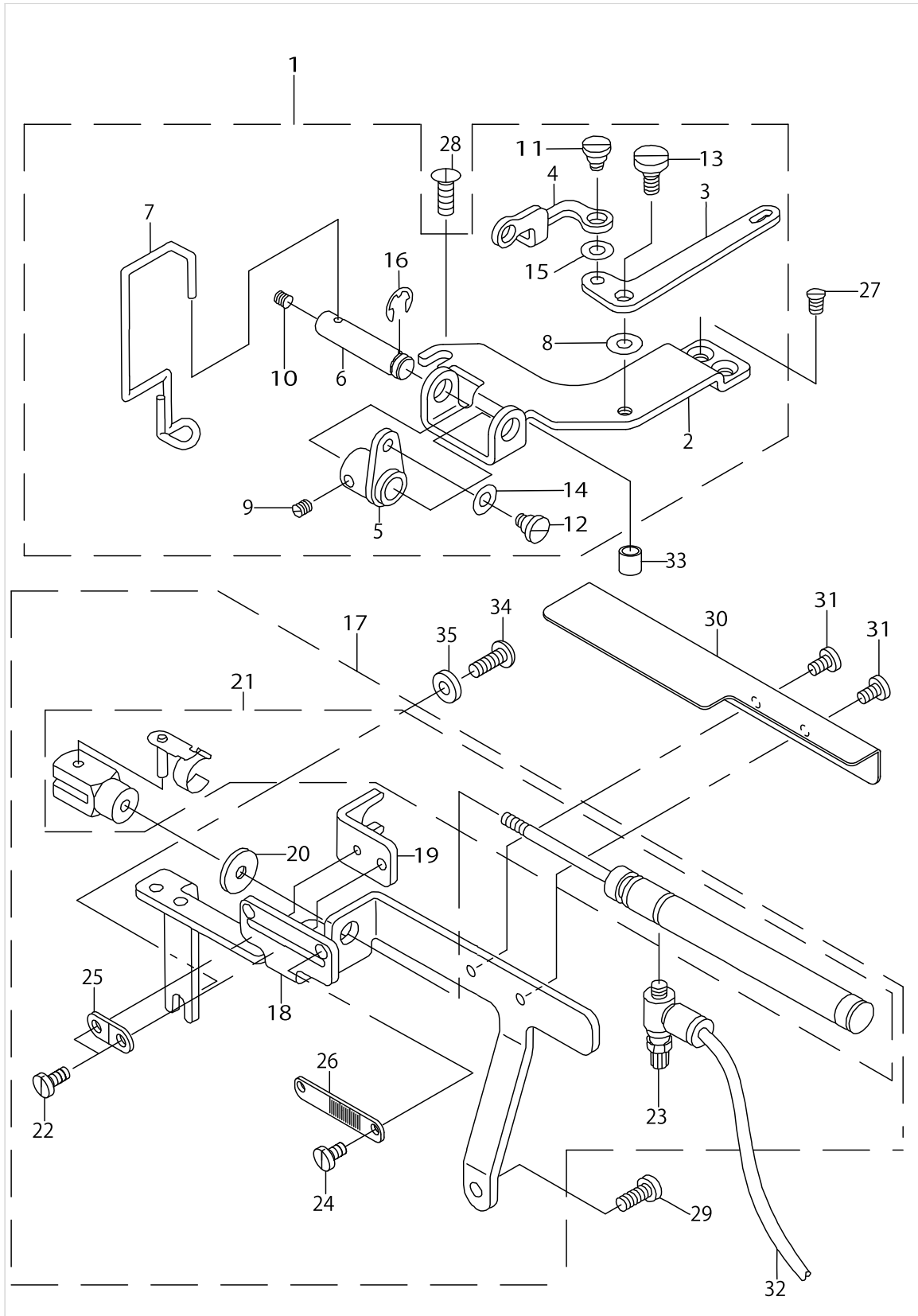
THREAD HOLDER & AIR COMPONENTS



THREAD HOLDER & AIR COMPONENTS

No.	Supply Code	Parts No.	Replacement	Parts name	Remarks	Choice	Step	Level	Cons	Qty	Rep. QTY
47		PJ301080001		REDUCER						1	

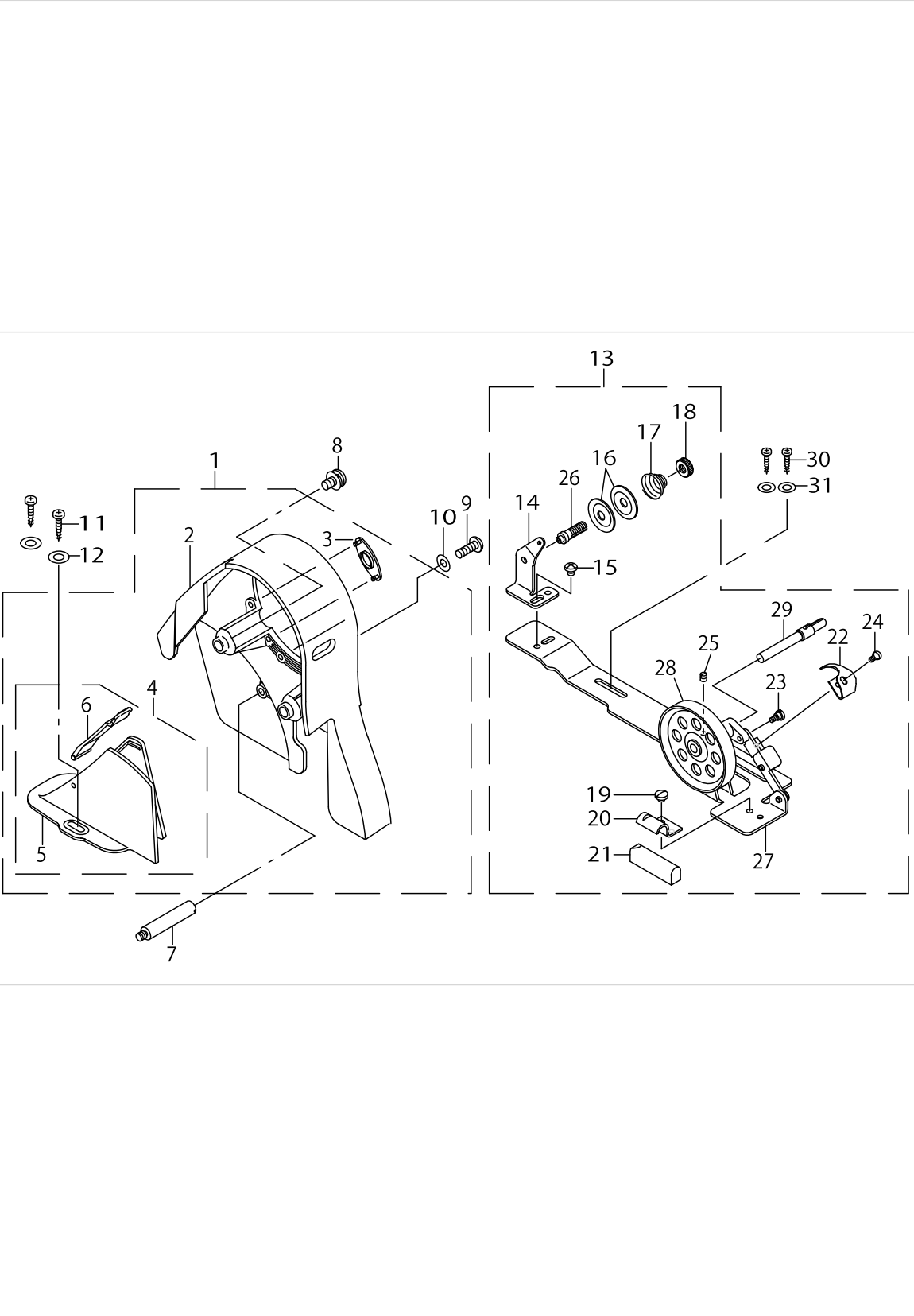
THREAD HAUL COMPONENTS



THREAD HAUL COMPONENTS

No.	Supply Code	Parts No.	Replacement	Parts name	Remarks	Choice	Step	Level	Cons	Qty	Rep. QTY
1		11426657		THREAD HAUL BASE ASM.						1	
2		11426608		THREAD HAUL BASE				*		1	
3		11427101		THREAD HAUL CON- NECTING LINK, A				*		1	
4		11427200		THREAD HAUL CON- NECTING LINK, B				*		1	
5		11426855		THREAD HAUL LEVER ASM.				*		1	
6		11426707		THREAD HAUL SHAFT				*		1	
7		11427002		THREAD HAUL WIRE				*		1	
8		WP0482086SD		WASHER 4.8X11.5X2				*		1	
9	R	SS8110520SP	SS8110520TP	SCREW 11/64-40 L=5				*		2	1.00
10		SS8110422TP		SCREW 11/64-40 L=4				*		1	
11		SD0640321SP		HINGE SCREW D= 6.35 H= 3.2				*		1	
12		SD0640321SP		HINGE SCREW D= 6.35 H= 3.2				*		1	
13		SD0600291TP		HINGE SCREW D=6 H=2.9				*		1	
14	R	WP0501016SA	WP0501016SD	WASHER 5X10.5X1				*		1	1.00
15	R	WP0501016SA	WP0501016SD	WASHER 5X10.5X1				*		1	1.00
16		RE0600000K0		E-RING 6				*		1	
17		11428455		CYLINDER ASM.						1	
18		11428406		HAUL THREAD CYLINDER PLATE				*		1	
19		11428307		HAUL THREAD STOPPER				*		1	
20		B1620487000		FEED CONNECTING PIN WASHER				*		1	
21		PA1003018B0		AIR CYLINDER (Y KNUCKLE)				*		1	
22		SM9041050SC		SCREW M4X0.7 L=10				*		2	
23		PC010510000		SPEED CONTROLLER				*		1	
24		SS6080320SP		SCREW 1/8-44 L= 2.5				*		2	
25		11428000		THREAD HAUL ADJUSTING PLATE				*		1	
26		11427804		THREAD HAUL SCALE PLATE				*		1	
27		SS1110710SP		SCREW 11/64-40 L=7						2	
28		SS4121415SP		SCREW 3/16-28 L=14						1	
29		SS6121220TP		SCREW 3/16-28 L=11.5						1	
30		11427606		THREAD HAUL CYLINDER COVER						1	
31		SS6110480SP		SCREW 11/64-40 L=4.3						2	
32		BT0400251EB		URETHANE HOSE, BLACK						1.2	
33		D2114555B00		BRACKET INSTALLING COLLAR						1	
34		SS4121415SP		SCREW 3/16-28 L=14						1	
35		WP0502616SD		WASHER						1	

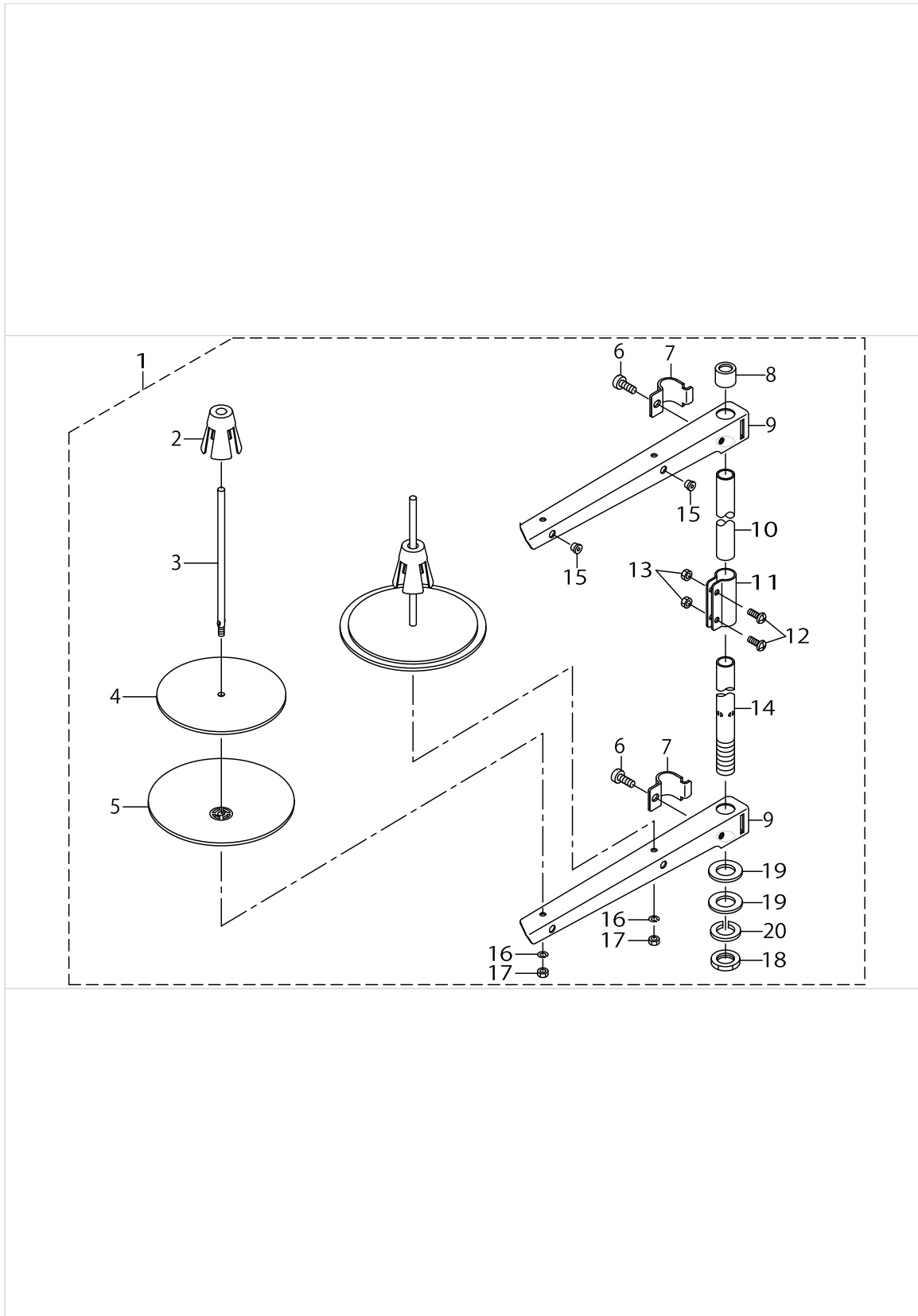
BELT COVER & BOBBIN WINDER COMPONENTS



BELT COVER & BOBBIN WINDER COMPONENTS

No.	Supply Code	Parts No.	Replacement	Parts name	Remarks	Choice	Step	Level	Cons	Qty	Rep. QTY
1	R	11076650	22933451	BELT COVER ASM. (URBANE GREY)						1	1.00
2	R	11076601	22933451	BELT COVER A				*		1	1.00
3	R	11076700	22933451	BELT COVER A CAP				*		1	1.00
4	R	11076858	22933659	BELT COVER B ASM.				*		1	1.00
5	R	11076809	22933659	BELT COVER B				*		1	1.00
6	R	11076957	22933659	BELT COVER B CAP ASM.				*		1	1.00
7	R	11023504	22933907	BELT COVER SUPPORT, A						1	1.00
8		11025202		BELT COVER A SCREW						2	
9		SS4121415SP		SCREW 3/16-28 L=14						1	
10		WP0501016SD		WASHER 5X10.5X1						1	
11	R	SK3412000SC	SK3412000SE	WOOD SCREW D=4.1 L=20						2	1.00
12		WP0450826SC		WASHER 4.5X10X0.8						2	
13		22927354		WOOD SCREW D=4.1 L=20						1	
14	R	22928501	11078250	BOBBIN WINDER COMPL.				*		1	1.00
15		SS4110515SP		THREAD TENSION BRACKET ASM.				*		1	
16	R	22928907	22921506	SCREW 11/64-40 L=7.8				*		2	1.00
17		22929004		THREAD TENSION DISK				*		2	
18		22928808		THREAD TENSION SPRING				*		1	
19		SS7110350SP		THREAD TENSION NUT				*		1	
20	D	22928402		SCREW 11/64-40 L=5				*		1	
21		22928303		PRESSER PLATE				*		1	
22		22928105		RUBBER BRAKE				*		1	
23		SD0490261SP		HINGE SCREW D=4.9 H=2.6				*		1	
24		SS7081310SP		SCREW 1/8-44 L=12.5				*		1	
25	R	SS8110510SP	SS8110520TP	BOBBIN BASE				*		1	1.00
26	R	22928709	11078250	BOBBIN PULLEY				*		1	1.00
27	R	22927305	22927354	BOBBIN WINDER POST				*		1	1.00
28		22927404		SCREW M4X0.7 L=5				*		1	
29		22927602		WASHER 4.8X8.4X0.8				*		1	
30	R	SK3412000SC	SK3412000SE	WOOD SCREW D=4.1 L=20						2	1.00
31		WP0450826SC		WASHER 4.5X10X0.8						2	

THREAD STAND COMPONENTS



THREAD STAND COMPONENTS

No.	Supply Code	Parts No.	Replacement	Parts name	Remarks	Choice	Step	Level	Cons	Qty	Rep. QTY
1	R	22930358	40096354	THREAD STAND ASM.						1	1.00
2	R	22931109	40085791	SPOOL RETAINER				*		2	1.00
3	R	22931000	40085790	SPOOL PIN				*		2	1.00
4		22930903		SPOOL REST CUSHION				*		2	
5		22930804		SPOOL REST				*		2	
6		SM6061610SC		SCREW M6 L=16				*		2	
7	R	22930705	40096354	THREAD GUIDE ARM JOINT				*		2	1.00
8		22931406		SPOOL REST ROD RUBBER CAP				*		1	
9	R	22930507	40096354	SPOOL REST ARM				*		2	1.00
10	R	22930408	40096354	SPOOL REST ROD, UPPER				*		1	1.00
11	R	22931307	40096354	SPOOL REST ROD JOINT				*		1	1.00
12		SM4051405SE		SCREW M5 L=14				*		2	
13		NM6050001SE		NUT M5				*		2	
14	R	22930309	40096354	SPOOL REST ROD, LOWER				*		1	1.00
15		22931208		THREAD GUIDE				*		2	
16		WS0510002KN		SPRING WASHER				*		2	
17		NM6050001SE		NUT M5				*		2	
18		NM6160511SE		NUT M16X1.5				*		1	
19		WP1612616SE		WASHER 16X30X2.6				*		2	
20	R	WS1643202KR	WP1612616SE	SPRING WASHER		A		*		1	2.00
20	R	WS1643202KR	40085796	SPRING WASHER		A		*		1	2.00

LIST FOR INFORMATION OF CHANGE

As to the place changed, refer to the corresponding Rev.No.
 When previous parts(Obsoleted part)and new parts(Added parts)are
 not interchangeable with each other:
 In this case, even obsoleted parts(D.)can be ordered with the
 obsoleted part number, so select the parts with changed dates and
 place your orders.

変更箇所は、該当Rev.No.版をご参照ください。
 部品の互換性がない変更の場合は、削除された品番でも、ご注文できます。

29123809
 No.0868-07 Rev.No.

*A:Added parts追加部品/D:Obsoleted parts削除部品/E:Erratum訂正

* Rev. No.	Page 頁	Ref. No.	Parts No. 品番	* Rev. No.	Page 頁	Ref. No.	Parts No. 品番
D 06	2	12	CM-3002001-01	A 07	2	12	CM-3013000-01
D 06	2	13	CM-3002001-A1				
D 06	2	14	100-04109	A 07	2	14	229-01805
D 06	2	64	CM-3002000-B1				
D 06	6	8	B1403-155-000	A 07	6	8	229-06200
D 06	8	16	SS-7110720-SP	A 07	8	16	SS-4110515-SP
D 06	8	24	110-18405	A 07	8	24	229-20409
D 06	8	27	SS-7110410-SP	A 07	8	27	SS-4110515-SP
D 06	8	36	229-07000	A 07	8	36	400-17805
D 06	8	40	400-14007	A 07	8	40	400-60989
D 06	14	30	112-28301	A 07	14	30	229-62708
D 06	18	17	HA-0005900-00	A 07	18	17	HA-0060000-00
D 06	20	26	SS-4151215-SP	A 07	20	26	SS-4150915-SP
D 06	22	16	SM-9061853-SR	A 07	22	16	SM-9062563-TR
D 06	22	18	110-23751	A 07	22	19	229-34251
				A 07	22	18	NM-6060001-SE
D 06	22	19	110-24403	A 07	22	25	229-34400
D 06	22	20	110-23702	A 07	22	20	229-34202
D 06	22	21	110-23801	A 07	22	21	229-34301
D 06	22	23	B3431-552-000-A	A 07	22	23	229-34509
D 06	22	24	B3419-122-000	A 07	22	24	229-34608
D 06	24	25	114-27952	A 07	24	25	400-03560
D 06	24	26	114-27903	A 07	24	26	PF-9020050-00
D 06	24	35	SK-3412000-SC				
D 06	24	36	WP-0531000-SC				
D 06	24	37	114-28901				
D 06	24	48	HX-0028900-00	A 07	24	35	HX-0029200-0A
D 06	24	37	HX-0030700-0A	A 07	24	37	HX-0030700-0C
				A 07	26	34	SS-4121415-SP
				A 07	26	35	WP-0502616-SD

HOW TO MAKE USE OF THIS PARTS LIST

1.Explanation of codes

1)"*"mark.....means this part is changed from the previous parts book.

As to the details of the change, refer to the "List for information of change".

2)"#01".....refer to "Note" explanation at bottom of page.

2.Codes on the "Qty" column

- Each numeral indicates the number of parts required.
- "0.1" and "2.5" indicate the length (in meters) of the respective parts.

3.Parentheses mean that the corresponding part is a subpart that constructs an assembly part.

4.Dotted lines on the Figures indicate assembly parts.

1."注記"欄の記号説明

1) "*"印.....前回のパーツブックに比較して今回変更された部品を意味します。

変更内容は、"変更情報リスト"を参照してください。

2) "#01".....ページ下の"注記"の説明を参照してください。

2.数量欄の数字は、個数を表し、0.1、2.5等の数値は、長さ（単位メートル）を表します。

3.数量欄の（ ）は、組部品を構成している子部品であることを意味します。

4.イラストページの-----枠は、組構成であることを意味します。

NUMERICAL INDEX OF PARTS

PART NO	PAGE	REF NO.	PART NO	PAGE	REF NO.	PART NO	PAGE	REF NO.
11000304	2	2	11094109	30	11	11421500	20	20
11002409	6	29	11100500	2	18	11421609	22	58
11002508	6	30	11101300	26	34	11421708	20	39
11002904	6	44	11102308	26	12	11421807	20	28
11003308	2	11	11110301	28	15	11421906	20	37
11004207	8	26	11141355	10	46	11422052	20	42
11005204	6	11	11345600	24	16	11422102	20	38
11006004	12	35	11352804	22	48	11422201	20	11
11008208	16	12	11353505	22	44	11422250	20	10
11008604	16	26	11415205	4	57	11422300	24	18
11008703	16	25	11416203	2	20	11422508	8	44
11009800	16	5	11416955	6	37	11422607	8	43
11010154	16	19	11416963	6	34	11422706	28	30
11010303	16	17	11417102	8	3	11422805	22	63
11010410	16	20	11417201	8	45	11422904	22	65
11010709	18	66	11417615	4	44	11423605	26	16
11010907	18	61	11417714	16	33	11423704	26	17
11014008	16	15	11418308	8	35	11423803	26	18
11015906	8	39	11418803	30	13	11423951	26	19
11017357	6	4	11418852	30	12	11424009	26	20
11018207	12	23	11419108	24	1	11424108	26	21
11023504	40	7	11419207	24	5	11424306	26	22
11024304	32	27	11419306	24	4	11424405	26	23
11024700	32	3	11419405	24	2	11424652	26	13
11025202	40	8	11419504	24	11	11424801	28	24
11037405	16	22	11419603	24	10	11424959	28	27
11038650	8	24	11419702	24	12	11425055	28	20
11038759	8	42	11419801	24	13	11425204	28	7
11038809	8	32	11419900	24	14	11425451	28	32
11039062	6	9	11420007	22	68	11425659	28	31
11039070	6	8	11420106	20	7	11425907	28	2
11039203	6	6	11420155	20	1-2	11426103	34	3
11039351	6	3	11420205	20	3	11426301	34	12
11043205	24	21	11420353	20	4-9	11426368	34	11
11043304	24	22	11420502	20	5-8	11426608	38	2
11043908	24	20	11420601	20	6	11426657	38	1
11045952	12	21	11420700	20	19	11426707	38	6
11047107	32	4	11420759	20	18	11426855	38	5
11070802	2	1	11420809	20	22	11427002	38	7
11076601	40	2	11420908	20	27	11427101	38	3
11076650	40	1	11421005	20	29	11427200	38	4
11076700	40	3	11421104	20	30	11427309	34	10
11076809	40	5	11421203	20	31	11427606	38	30
11076858	40	4	11421302	20	23	11427705	34	9
11076957	40	6	11421401	20	25	11427804	38	26

NUMERICAL INDEX OF PARTS

PART NO	PAGE	REF NO.	PART NO	PAGE	REF NO.	PART NO	PAGE	REF NO.
11427960	34	22	22905103	8	25	22920102	12	29
11428000	38	25	22906200	8	8	22920300	12	26
11428109	32	2	22906309	8	10	22920409	12	24
11428158	32	1	22906457	8	4	22920508	2	30
11428307	38	19	22907307	12	37	22920607	4	47
11428406	38	18	22907406	12	34	22920805	8	7
11428455	38	17	22907505	12	31	22920904	2	43
11428505	34	6	22907554	12	30	22921001	2	31
11428802	34	34	22907604	12	32	22921209	2	38
11429008	34	5	22907703	12	33	22921308	2	33
11429107	28	29	22907802	12	1	22921407	2	34
11429305	34	2	22908008	12	8	22921506	2	37
11429354	34	1	22908156	12	6	22921605	2	39
11429404	34	4	22908305	12	9	22921704	2	35
11434065	14	42	22908354	12	5	22921803	2	36
11434206	14	45	22908552	12	4	22923015	30	14
11434313	14	44	22908701	12	10	22923205	30	17
11496353	24	17	22908800	12	15	22923403	30	19
11496452	26	15	22908909	12	12	22923502	30	21
11496460	26	14	22909006	12	14	22923601	30	20
11496551	26	1	22910004	6	26	22923700	30	15
11496650	28	1	22910053	6	24	22923809	30	18
11496759	34	30	22910103	6	27	22923908	30	22
11497054	20	4·9	22910350	16	43	22924153	30	6
11497104	20	5·8	22910806	16	28	22924302	30	7
11497153	20	1·2	22910905	16	24	22924401	30	3
11497203	4	56·60	22911002	16	40	22924609	30	27
22900401	2	10	22911101	16	13	22924906	30	10
22900609	2	28	22911507	16	2	22925002	30	9
22900757	2	4	22911606	16	4	22925101	30	5
22901003	4	55	22911804	16	7	22927305	40	27
22901201	4	52	22912000	16	9	22927354	40	13
22901250	4	51	22912109	16	8	22927404	40	28
22901300	4	53	22912604	18	65	22927602	40	29
22901409	8	1	22912752	18	52	22928105	40	22
22901805	2	14	22912901	16	39	22928303	40	21
22903009	6	2	22913008	18	51	22928402	40	20
22903108	6	20	22913701	16	38	22928501	40	14
22903157	6	15	22915151	16	45	22928709	40	26
22903207	6	21	22915201	18	48	22928808	40	18
22903306	6	23	22915359	18	58	22928907	40	16
22903900	6	42	22916001	8	31	22929004	40	17
22904155	6	32	22916308	8	27	22930309	42	14
22904155	18	62	22916555	8	38	22930358	42	1
22905004	8	23	22919203	6	14	22930408	42	10

NUMERICAL INDEX OF PARTS

PART NO	PAGE	REF NO.	PART NO	PAGE	REF NO.	PART NO	PAGE	REF NO.
22930507	42	9	22950000	20	14	BT0400251EB	34	38
22930705	42	7	22950356	20	12	BT0400251EB	38	32
22930804	42	5	22950950	24	7	BT0600401EB	34	43
22930903	42	4	22951008	24	19	BT0800501EB	34	44
22931000	42	3	22951552	24	31	BT1601001Z0	34	45
22931109	42	2	22953657	26	36	CM300200001	2	13
22931208	42	15	22954101	26	4	CM301300001	2	12
22931307	42	11	22954200	26	5	CQ252000000	30	8
22931406	42	8	22954309	26	6	CS079073ASH	8	36
22932107	32	8	22954606	26	2	CS079101ASH	8	29
22932156	32	7	22954705	2	9	D1421555B00	14	43
22932206	32	11	22955900	28	13	D2114555B00	38	33
22932305	32	17	22956007	28	14	D2121555D00	28	33
22932404	32	14	22956106	28	6	D2420530D00	22	46
22932453	32	13	22956205	28	10	D2422530D00	22	51
22932909	8	41	22956304	28	11	D2423530D00	20	35
22934202	32	20	22956809	28	26	EA9500B0100	30	30
22934251	32	19	22956908	28	9	F10120030A0	34	27
22934301	32	21	22957104	28	16	HA001900000	26	11
22934400	32	25	22957203	28	28	HA006000000	28	17
22934509	32	23	22958300	2	7	HK034610140	24	15
22934608	32	24	22962708	24	30	HK03464000B	24	6
22934707	32	15	40003560	34	25	HK03464000B	26	38
22937965	6	41	40017805	12	36	HK03464000B	28	23
22940506	16	10	40060989	12	40	HW200390000	28	18
22940654	18	55	B110901210B	4	56-60	HW500070000	26	9
22940753	16	35	B1155771000	34	28	HW500070000	28	19
22940803	16	31	B1215552000	6	22	HX000430000	6	7
22940951	16	27	B13050120A0	8	14	HX00292000A	34	35
22941108	16	1	B13061550A0	8	16	HX00307000C	34	37
22941306	16	36	B13061550B0	8	13	M40071100AA	6	38
22944508	12	17	B13061550C0	8	12	M40071100AB	6	39
22944607	12	20	B13071550A0	8	19	M6010350AAA	4	58
22944706	12	11	B13071550B0	8	18	MC200500750	8	28
22945109	12	28	B13081550A0	8	21	MDB100B1100	8	11
22945307	2	40	B1402552000A	8	2	MDP500B1400	8	34
22945356	2	32	B1408552000	6	12	NM6040000SN	24	26
22945414	2	22	B1414555000	8	6	NM6040003SC	26	25
22945463	2	21	B1521555000	12	2	NM6050001SE	42	17
22945505	2	25	B1613012100	18	60	NM6060001SE	32	18
22945604	2	23	B1620487000	38	20	NM6060003SC	26	24
22945703	2	26	B1808552000	8	40	NM6160511SE	42	18
22945802	2	24	B1903552000	6	13	NS6090310SP	28	5
22947006	30	1	B1905541B00	6	10	NS6110310SP	22	52
22947105	30	25	B8228125000	32	26	NS6110310SP	28	12

NUMERICAL INDEX OF PARTS

PART NO	PAGE	REF NO.	PART NO	PAGE	REF NO.	PART NO	PAGE	REF NO.
NS6110420SP	22	55	RO195240100	30	2	SS4110515SP	16	37
NS6110430SP	20	32	SD0380551SL	22	57	SS4110515SP	40	15
NS6150310SP	22	47	SD0490261SP	40	23	SS4110715SP	22	64
NS6150430SP	20	17	SD0500251SP	20	61	SS4110715SP	34	32
NS6620310SP	12	25	SD0500251SP	22	61	SS4110915TP	8	33
NS6620310SP	26	26	SD0500402SP	22	50	SS4120615SP	2	29
NS6660410SH	24	25	SD0600291TP	38	13	SS4120615SP	12	19
NS6660430SP	24	28	SD0600361SP	20	43	SS4120615SP	30	4
NS6680410SP	16	42	SD0630275SP	22	67	SS4120915SP	2	50
PA1003018B0	38	21	SD0640321SP	38	12	SS4120915SP	4	50
PC010510000	38	23	SD0640321TP	20	36	SS4120915SP	10	47
PF902005000	34	26	SD0640323TP	26	28	SS4120915SP	26	30
PJ032526001	34	23	SD0641452TP	22	66	SS4121215SP	4	59
PJ301040501	34	21	SD0650321TP	28	4	SS4121415SP	38	34
PJ301060501	34	19	SD0701511TP	20	41	SS4121415SP	40	9
PJ301080001	36	47	SD0720331SP	12	13	SS4150915SP	14	47
PJ301085102	34	15	SD0720331SP	22	45	SS4150915SP	26	32
PJ304085103	34	16	SD1000801SH	18	47	SS4150915SP	30	26
PJ308080001	34	46	SE4301041SR	30	16	SS4151215SP	24	29
PJ308085201	34	24	SK3412000SC	34	33	SS4151215SP	26	31
PV130524000	34	14	SK3412000SC	40	30	SS6060210SP	4	54
PV135103000	34	13	SL4030631SC	28	3	SS6080320SP	38	24
RC0150001KP	16	67	SL4030641SE	28	22	SS6080410SP	2	3
RC0150001KP	18	67	SL4030851SF	30	23	SS6090510TP	20	13
RC1200001KP	22	56	SL4030881SF	34	20	SS6090540SP	28	25
RC1850001KP	6	31	SL4051001MZ	6	5	SS6090620TP	16	41
RC2651218KP	24	9	SM1030601SA	26	29	SS6090670TP	8	5
RE0250000K0	28	8	SM4031501SC	26	8	SS6090670TP	16	3
RE0300000KP	26	27	SM4040655SP	26	3	SS6090910SP	12	39
RE0400000KP	26	37	SM4041655SP	26	7	SS6110420TP	8	30
RE0500000K0	12	46	SM4051405SE	42	12	SS6110480SP	20	34
RE0500000K0	14	46	SM6061610SC	42	6	SS6110480SP	38	31
RE0500000K0	16	21	SM8061010TP	18	53	SS6110610TP	4	48
RE0500000K0	20	40	SM8061050TP	18	54	SS6110710TP	24	23
RE0500000K0	24	24	SM8063012TR	32	10	SS6111010TP	30	24
RE0500000KP	26	33	SM9041050SC	38	22	SS6111210SP	6	40
RE0600000K0	38	16	SM9061203SE	32	22	SS6121220TP	38	29
RE0900000K0	26	35	SM9062563TR	32	16	SS6121610SP	16	44
RE1000000K0	32	12	SS1110710SP	38	27	SS6121840SP	2	17
RO029180100	6	43	SS2110915SP	4	46	SS6121840SP	28	34
RO037180100	12	3	SS2110920TP	4	45	SS6121860SP	16	11
RO044240100	6	18	SS4080620TP	16	34	SS6621212TP	22	53
RO078190100	18	64	SS4090515SP	20	15	SS6661110SP	6	25
RO092270200	16	16	SS4090615SP	6	28	SS6700710SH	32	5
RO098240100	32	6	SS4110515SP	12	27	SS7080510TP	8	9

NUMERICAL INDEX OF PARTS

PART NO	PAGE	REF NO.	PART NO	PAGE	REF NO.
SS7081310SP	40	24	WP0501016SD	4	61
SS7091110TP	12	41	WP0501016SD	40	10
SS7110350SP	40	19	WP0502616SD	38	35
SS7110710SP	34	7	WP0621016SH	20	16
SS7110740TP	16	23	WP0651056SH	22	59
SS7110740TP	20	21	WP1612616SE	42	19
SS7110840SP	22	62	WS0451040KP	30	28
SS7110840SP	34	31	WS0510002KN	42	16
SS7111120SP	18	59	WS0651310KP	30	29
SS7111410TP	20	24	WS1643202KR	42	20
SS7120770SH	16	6	WT0530002KS	4	62
SS7121410TP	18	56			
SS7121610SP	18	46			
SS7681650TP	6	19			
SS8080310TP	28	21			
SS8090670SP	2	41			
SS8110410TP	8	37			
SS8110422TP	38	10			
SS8110510SP	40	25			
SS8110520SP	38	9			
SS8110520TP	24	8			
SS8150710TP	2	42			
SS8150710TP	16	29			
SS8151150TP	6	1			
SS8151550SP	6	36			
SS8152030SP	20	33			
SS8660610TP	6	33			
SS8660610TP	18	63			
SS8660612TP	24	3			
SS8660810TP	8	22			
SS8660810TP	12	38			
SS8681650TP	6	16			
SS9112420TP	22	54			
SS9151120CP	22	60			
TA0850604R0	2	5			
TA1250406R0	4	49			
TA1250705R0	2	6			
TA2000502R0	2	16			
TA2101002R0	2	19			
WP0450000SD	24	27			
WP0450801SD	6	35			
WP0450826SC	40	31			
WP0480856SP	18	57			
WP0482086SD	38	8			
WP0501016SA	38	15			