

MODEL : DLD-5430N/DLD-5430N-7

List No : 0876-13

# PARTS LIST

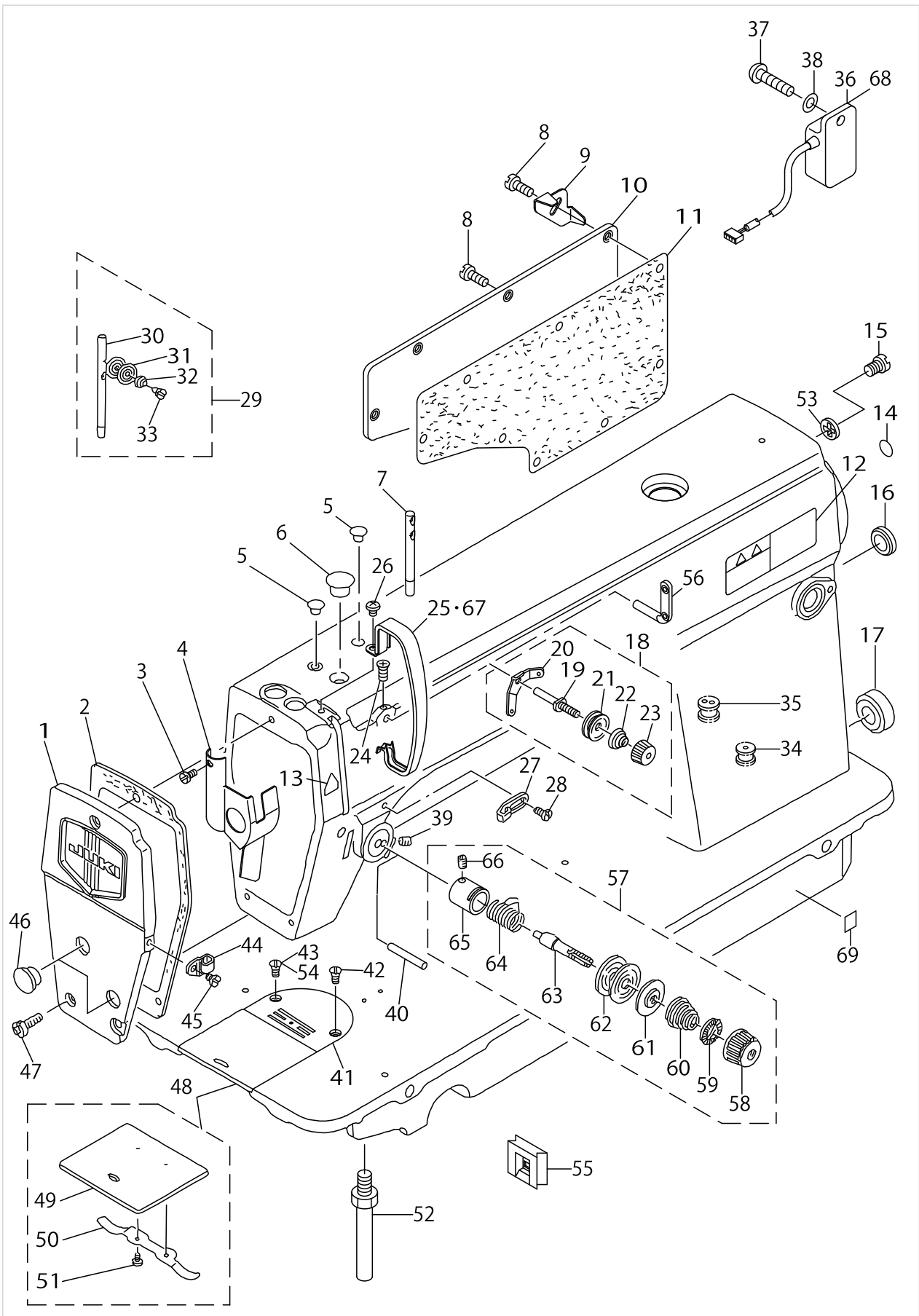
Published:05/12/2017

## CONTENTS

---

MACHINE FRAME & MISCELLANEOUS COVER COMPONENTS .....	1
MAIN SHAFT & THREAD TAKE-UP LEVER COMPONENTS .....	5
NEEDLE BAR, UPRIGHT SHAFT & HOOKDRIVING SHAFT COMPONENTS .....	7
HAND LIFTER COMPONENTS .....	11
FEED ROCKER MECHANISM COMPONENTS (1).....	15
FEED ROCKER MECHANISM COMPONENTS (2).....	17
FEED MECHANISM COMPONENTS.....	21
THREAD TRIMMER MECHANISM COMPONENTS.....	25
AUTOMATIC REVERSE FEED COMPONENTS.....	29
WIPER COMPONENTS.....	31
OIL LUBRICATION COMPONENTS .....	33
OIL RESERVOIR COMPONENTS .....	35
BELT COVER & BOBBIN WINDER COMPONENTS .....	37
THREAD STAND COMPONENTS.....	39
EXCLUSIVE PARTS FOR DLD-5430NE-7.....	41
PF-7:PEDAL/KNEE PRESSER-CONTROLLED GATHERING MECHANISM (SPECIAL ORDER.....	43
PARTS)	
LIST FOR INFORMATION OF CHANGE.....	47
HOW TO MAKE USE OF THIS PARTS LIST .....	48

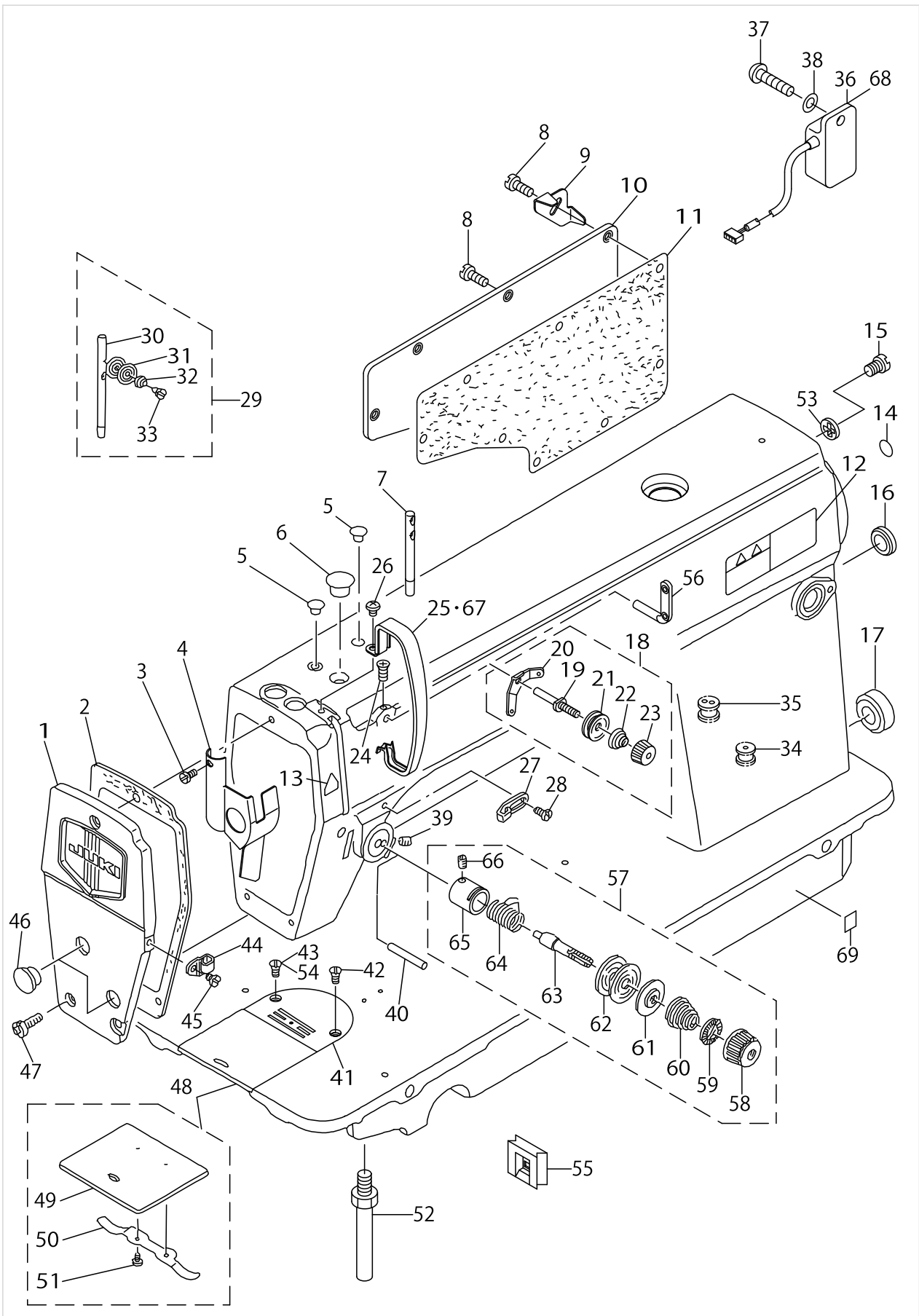
MACHINE FRAME & MISCELLANEOUS COVER COMPONENTS



MACHINE FRAME & MISCELLANEOUS COVER COMPONENTS

No.	Supply Code	Parts No.	Replacement	Parts name	Remarks	Choice	Step	Level	Cons	Qty	Rep. QTY
1		11070851		FACE PLATE ASM.						1	
2		11000304		FACE PLATE GASKET						1	
3		SS6080410SP		SCREW 1/8-44 L=4						1	
4		22900757		FACE PLATE OIL SHIELD ASM.						1	
5		TA0850604R0		RUBBER PLUG						2	
6		TA1250705R0		RUBBER PLUG						1	
7		22958300		NEEDLE THREAD GUIDE PIN						1	
8		SS4120915SP		SCREW 3/16-28 L=9						8	
9		22954705		CORD FIXING METAL FITTING	FOR DLD-- 5430N-7-0- B,-W0,-WB					1	
10		22900401		WINDOW PLATE						1	
11		11003308		SIDE PLATE PACKING						1	
12		CM301300001		SAFETY LABEL						1	
13		CM3002000B1		LABEL(16)						1	
14		22901805		GROUND MARK						1	
15		SS4120615SP		SCREW 3/16-28 L=6						1	
16		TA2000502R0		RUBBER PLUG						1	
17		TA2101002R0		RUBBER PLUG						1	
18		22945463		THREAD TENSION ASM. NO.1	FOR DLD-5430N-7					1	
19		22945414		THREAD TENSION POST				*		1	
20	R	22945604	22963458	THREAD TENSION GUIDE		A		DDL8700H- -7/8700J-- 7/9000B, DLN6390-7 and so on	*	1	1.00
20	R	22945604	22945463	THREAD TENSION GUIDE		B		DDL8700-7	*	1	1.00
21		22945802		THREAD TENSION DISK				*		2	
22		22945505		THREAD TENSION SPRING				*		1	
23		22945703		THREAD TENSION NUT				*		1	
24		SS4120615SP		SCREW 3/16-28 L=6						1	
25		22900609		THREAD TAKE-UP LEVER COVER						1	
26		SS4120615SP		SCREW 3/16-28 L=6						1	
27		22920508		ARM THREAD GUIDE A						1	
28		22921001		SCREW						1	
29		22932552		NEEDLE THREAD GUIDE PIN ASM.	FOR DLD-5430N					1	
30	R	22932503	22932552	THREAD GUIDE ROD				*		1	1.00
31	D	22932602		THREAD GUIDE DISK				*		2	
32	R	22932701	26021600	THREAD GUIDE DISK SPRING				*		1	1.00
33		SD0380552SL		HINGE SCREW D=3.8 H=5.5				*		1	
34		11030202		RUBBER BUSHING	FOR DLD-- 5430N-7-00,-W0					1	
35		11100104		MAGNET CORD RUBBER	FOR DLD-- 5430N-7-0B,-WB					1	
36	D	M6005350AAA		RESISTOR PACK ASM. AA	FOR JA(F- OR DLD-5430N-7)					1	
37		SS4121215SP		SCREW 3/16-28 L=12	FOR DLD-5430N-7					1	
38		WP0501016SD		WASHER 5X10.5X1	FOR DLD-5430N-7					1	
39		SS8150710TP		SCREW 15/64-28 L=7						1	
40		22920904		TENSION RELEASING						1	
41		D1109436D00		THROAT PLATE						1	

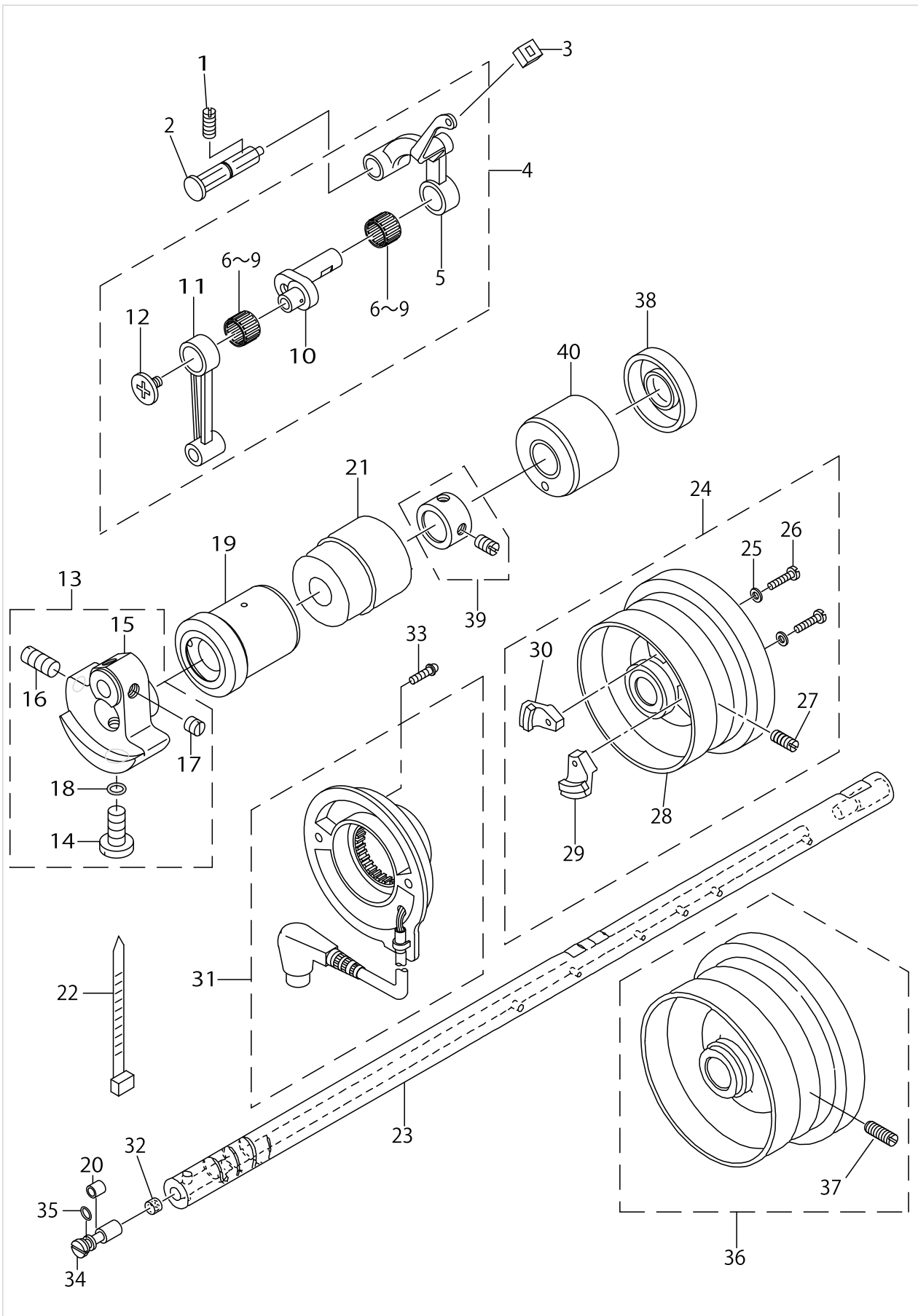
MACHINE FRAME & MISCELLANEOUS COVER COMPONENTS



MACHINE FRAME & MISCELLANEOUS COVER COMPONENTS

No.	Supply Code	Parts No.	Replacement	Parts name	Remarks	Choice	Step	Level	Cons	Qty	Rep. QTY
42		SS2110920TP		SCREW 11/64-40 L=8.5						1	
43		SS2110915SP		SCREW 11/64-40 L=8.5						1	
44		11380508		ARMTHREADGUIDEB						1	
45		SS6110610TP		SCREW 11/64-40 L=6						1	
46		TA1250406R0		RUBBER PLUG D=12.5 L=4						2	
47		SS4120915SP		SCREW 3/16-28 L=9						3	
48		B11104300A0		BED SLIDE ASM.						1	
49	R	B1110430000	B11104300A0	BED SLIDE				*		1	1.00
50		B1111012000		BED SLIDE SPRING				*		1	
51		SS6060210SP		SCREW 3/32-56 L=1.9				*		2	
52		22901003		BED SCREW STUD						4	
53		WT0530002KS		TOOTHED WASHER D=5.3						1	
54		SS2110920TP		SCREW 11/64-40 L=8.5	FOR DLD-5430N					2	
55		22935407		BED OIL SHIELD RUBBER						1	
56		22920706		TWO EYELET	FOR DLD-5430N					1	
57		22945356		THREAD TENSION ASM.						1	
58		22921308		THREAD TENSION NUT				*		1	
59		22921407		ROTATION STOPPER				*		1	
60		22921704		THREAD TENSION SPRING A				*		1	
61		22921803		DISK STOPPER				*		1	
62		22921506		THREAD TENSION DISK				*		2	
63		22921209		THREAD TENSION POST				*		1	
64		22921605		THREAD TAKE-UP SPRING				*		1	
65		22945307		THREAD TENSION POST BASE				*		1	
66		SS8090670SP		SCREW 9/64-40 L=5.5				*		1	
67		11415205		THREAD TAKE-UP LEVER COVER(JE)	FOR JE					1	
68		M6005350AAF		RESISTANCE PACK AF ASM.	FOR DLD-5430N-7					1	
69		40116677		GOST_SAFETY_LABEL_S	FOR JE					1	

MAIN SHAFT & THREAD TAKE-UP LEVER COMPONENTS

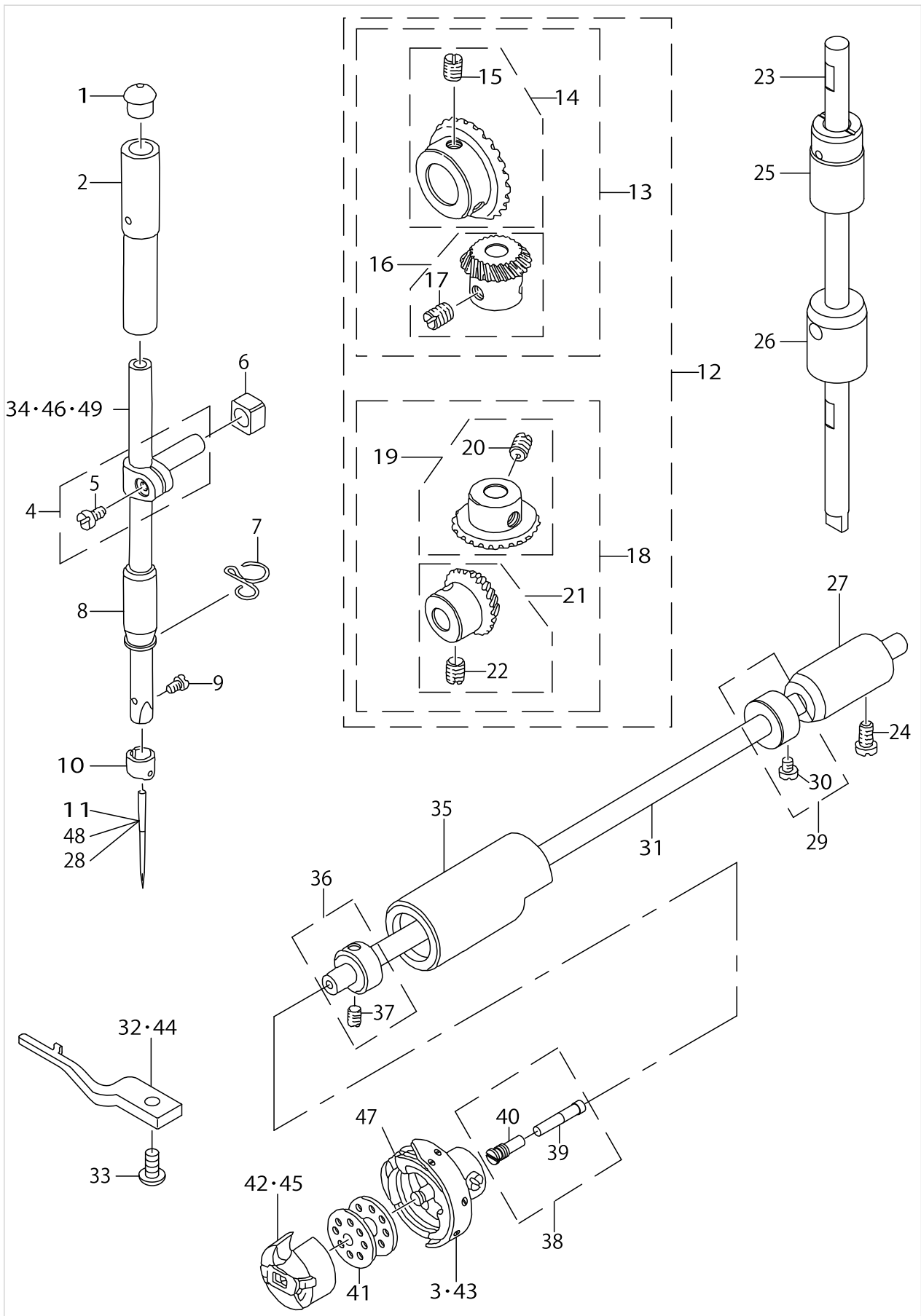


MAIN SHAFT & THREAD TAKE-UP LEVER COMPONENTS

No.	Supply Code	Parts No.	Replacement	Parts name	Remarks	Choice	Step	Level	Cons	Qty	Rep. QTY
1		SS8151150TP		SCREW 15/64-28 L=10.5						1	
2		11017357		THREAD TAKE-UP CRANK SHAFT ASM.						1	
3		22919203		OIL PROTECTING RUBBER						1	
4		22918072		THREAD TAKE-UP LEVER COMPL.						1	
5	R	22918064	22918072	THREAD TAKE-UP LEVER ASM.				*		1	1.00
6		22918403		NEEDLE BEARING A	SELECTIVE PARTS(A~D)			*		2	
7		22918502		NEEDLE BEARING B	SELECTIVE PARTS(A~D)			*		2	
8		22918601		NEEDLE BEARING C	SELECTIVE PARTS(A~D)			*		2	
9		22918700		NEEDLE BEARING D	SELECTIVE PARTS(A~D)			*		2	
10		22918106		NEEDLE BAR CRANK				*		1	
11		22906606		NEEDLE BAR CRANK ROD				*		1	
12	R	22918304	B1903552000	LEFT SCREW				*		1	1.00
13		40106606		COUNTER_WEIGHT_ASM.						1	
14		SS7681650TP		SCREW 9/32-28 L=16				*		1	
15	R	22903108	22903157	COUNTER WEIGHT				*		1	1.00
16		SS8681650TP		SCREW 9/32-28 L=16				*		1	
17		SS8660610TP		SCREW 1/4-40 L=6				*		2	
18		RO044240100		RUBBER RING				*		1	
19		22903207		MAIN SHAFT BUSHING FRONT						1	
20		B1215552000		OIL ADJUSTING COLLAR						1	
21		22903306		BUSHING INTERMEDIATE						1	
22		EA9500B0100		CABLE BAND						1	
23		22903009		MAIN SHAFT						1	
24		11071495		HAND WHEEL ASM.						1	
25		WP0450801SD		WASHER 4.5X10X0.8				*		2	
26		SS6111210SP		SCREW 11/64-40L=12				*		2	
27		SS8151550SP		SCREW 15/64-28L=15				*		2	
28	R	11071453	11071495	HAND WHEEL ASM.				*		1	1.00
29		M40071100AA		MAGNET FITTING BASE A ASM.				*		1	
30		M40071100AB		MAGNET FITTING BASE B ASM.				*		1	
31		22937965		DYNAMO STATOR ASM.						1	
32		11002904		ROLLER FELT						1	
33		SL4051001MZ		SCREW M5 L=9.6						2	
34		22903900		ADJUSTING PIN						1	
35		RO029180100		RUBBER RING						1	
36		11071362		FLYWHEEL ASM.	FOR DLD-5430N					1	
37		SS8151550SP		SCREW 15/64-28L=15	FOR DLD-5430N			*		2	
38		40105231		OIL SEAL						1	
39		22904155		MAIN SHAFT THRU-ST COLLAR ASM.						1	
40		11002409		MAIN SHAFT BUSHING REAR						1	



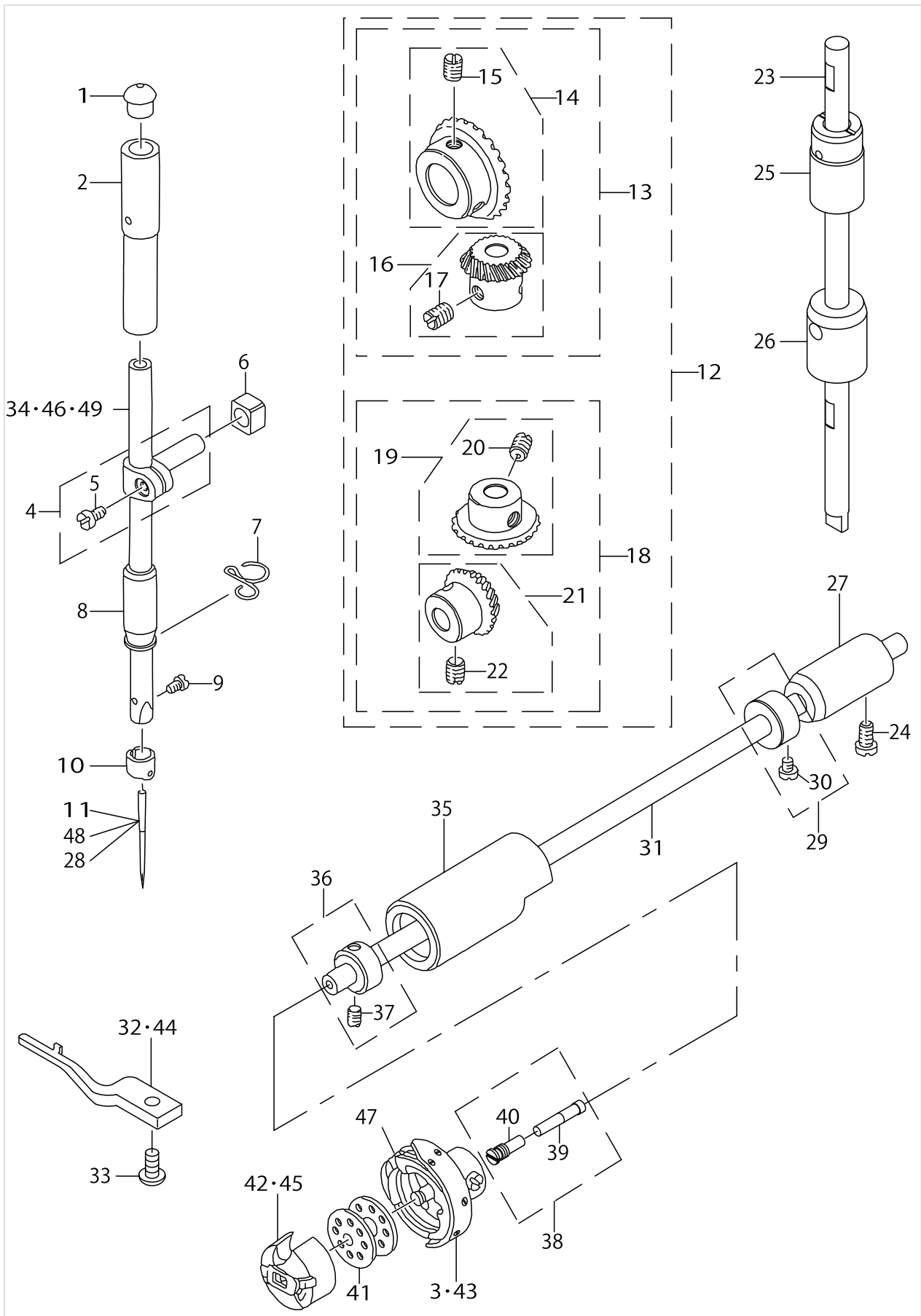
NEEDLE BAR, UPRIGHT SHAFT & HOOKDRIVING SHAFT COMPONENTS



NEEDLE BAR, UPRIGHT SHAFT & HOOKDRIVING SHAFT COMPONENTS

No.	Supply Code	Parts No.	Replacement	Parts name	Remarks	Choice	Step	Level	Cons	Qty	Rep. QTY
1		22901409		NEEDLE BAR UPPER BUSH CAP						1	
2		22906101		NEEDLE BAR BUSHING UPPER						1	
3		11141355		HOOK ASM.						1	
4		22906457		NEEDLE BAR HOLDER ASM.						1	
5		SS6090670TP		SCREW 9/64-40 L=6				*		1	
6		40090058		SLIDE BLOCK						1	
7		22920805		NEEDLE BAR THREAD GUIDE						1	
8		22906200		NEEDLE BAR BUSHING LOWER						1	
9		SS7080510TP		SCREW 1/8-44 L=4.5						1	
10		22906309		NEEDLE BAR THREAD GUIDE						1	
11		MDB100B1400		NEEDLE DBX1 #14						1	
12	R	B13061550C0	B13071550C0	GEAR & PINION ASM.						1	1.00
13		B13061550B0		GEAR & PINION ASM. UPPER				*		1	
14		B13050120A0		GEAR ASM.				*		1	
15		SS8660810TP		SCREW 1/4-40 L=8				*		2	
16		B13061550A0		PINION ASM.				*		1	
17		SS8660810TP		SCREW 1/4-40 L=8				*		2	
18		B13071550B0		GEAR & PINION ASM. LOWER				*		1	
19		B13071550A0		GEAR ASM. LARGE				*		1	
20		SS8660810TP		SCREW 1/4-40 L=8				*		2	
21		B13081550A0		PINION ASM.				*		1	
22		SS8660810TP		SCREW 1/4-40 L=8				*		2	
23		22905004		UPRIGHT SHAFT						1	
24		SS4120915SP		SCREW 3/16-28 L=9						1	
25		22905103		UPRIGHT SHAFT BUSHING UPPER						1	
26		11004207		UPRIGHT SHAFT BUSHING LOWER						1	
27		22916308		HOOK DRIVING SH- AFT BUSH REAR						1	
28		MC200500900		NEEDLE 134 90	FOR JE					1	
29		22917157		THRUST COLLAR ASM. REAR						1	
30		SS6110420TP		SCREW 11/64-40 L=4.8				*		2	
31		22916001		HOOK DRIVING SHAFT						1	
32	R	11038809	22942502	BOBBIN CASE HOLDER	FOR DLD-5430N-7					1	1.00
33		SS4110915TP		SCREW 11/64-40 L=9						1	
34	R	11141108	22906705	NEEDLE BAR B	FOR JE					1	1.00
35		22916100		HOOK DRIVING SH- AFT BUSH FRONT						1	
36		22917058		THRUST COLLAR ASM. FRONT						1	
37		SS8110410TP		SCREW 11/64-40 L= 3.5				*		2	
38		22916555		OILSEALSCREWASM.						1	
39		11015906		OIL WICK				*		1	
40		22916506		SET SCREW				*		1	
41		22932909		BOBBIN						1	
42		11038759		BOBBIN CASE ASM.	FOR DLD-5430N-7					1	
43		B18301270A0		HOOK ASM.	FOR DLD-5430N					1	
44		22916407		BOBBIN CASE POSI- TIONING FINGER	FOR DLD-5430N					1	
45		B18370120A0		BOBBIN CASE ASM.	FOR DLD-5430N					1	

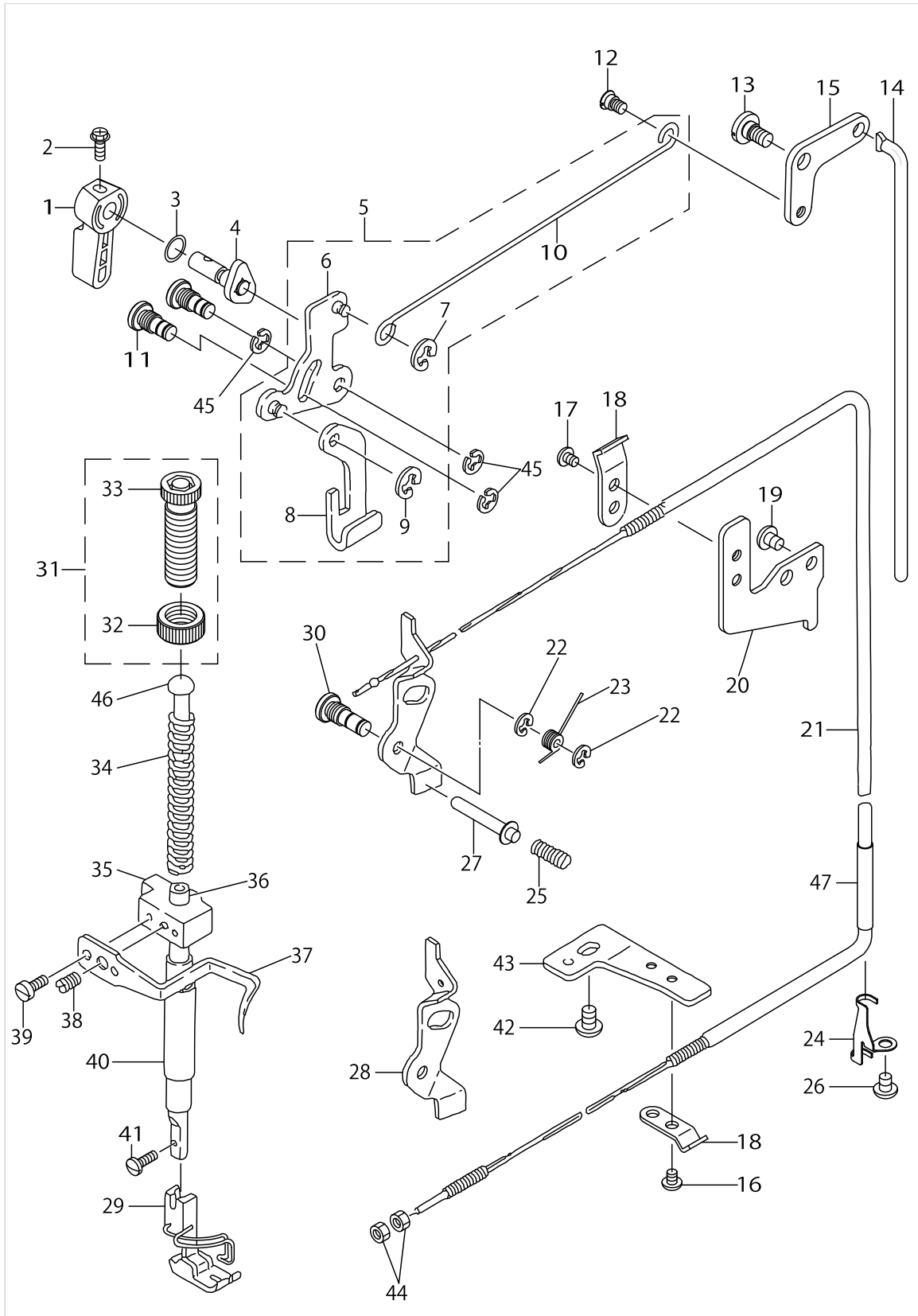
NEEDLE BAR, UPRIGHT SHAFT & HOOKDRIVING SHAFT COMPONENTS



NEEDLE BAR, UPRIGHT SHAFT & HOOKDRIVING SHAFT COMPONENTS

No.	Supply Code	Parts No.	Replacement	Parts name	Remarks	Choice	Step	Level	Cons	Qty	Rep. QTY
46		22906002		NEEDLE BAR	FOR DLD-5430N					1	
47		11038650		HOOK ASM.	FOR USE IN JAPAN,JH					1	
48		MDP500B1400		NEEDLE DPX5 #14	FOR JO					1	
49		11035003		NEEDLE BAR	FOR DLD-5430N-7					1	

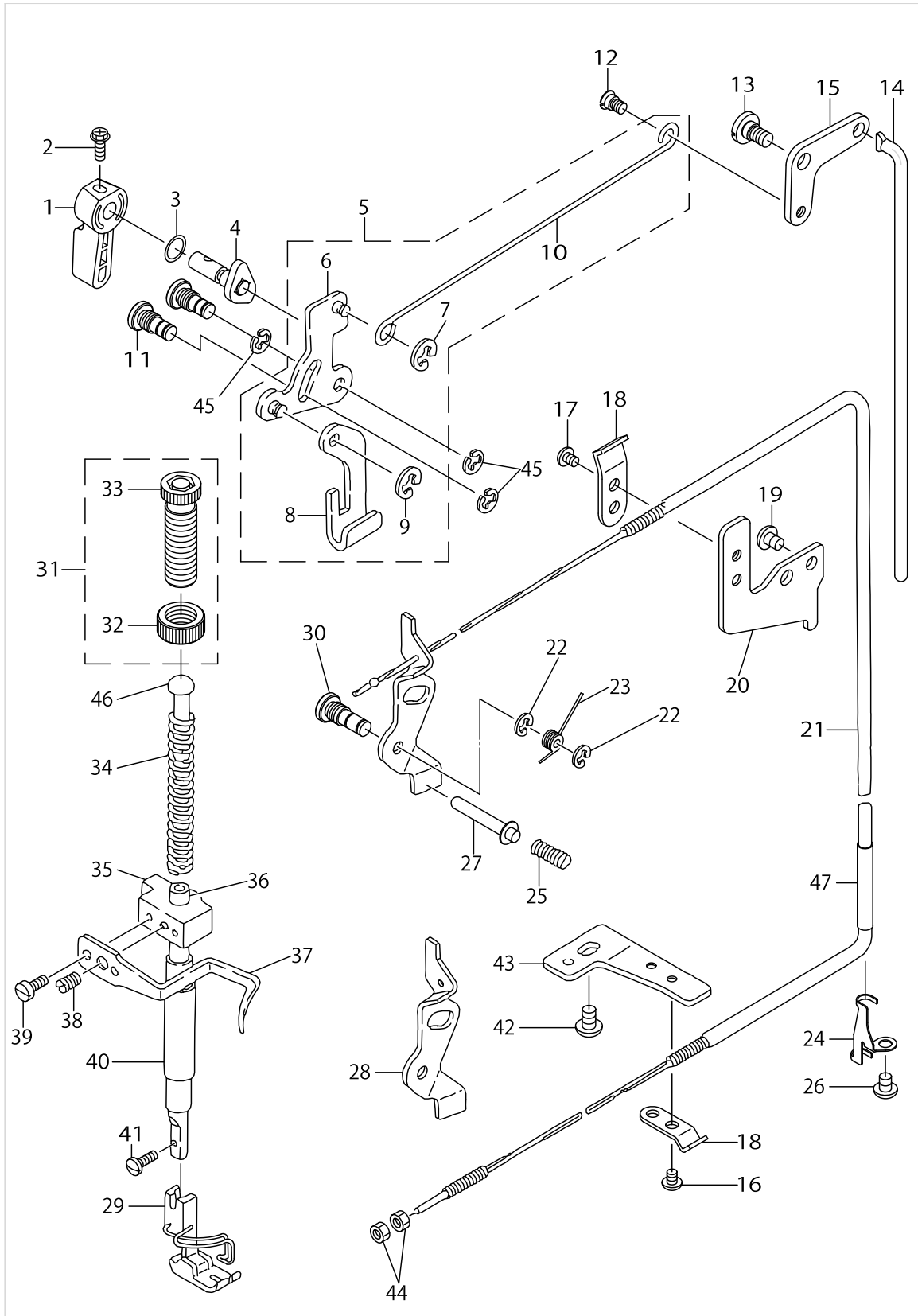
# HAND LIFTER COMPONENTS



HAND LIFTER COMPONENTS

No.	Supply Code	Parts No.	Replacement	Parts name	Remarks	Choice	Step	Level	Cons	Qty	Rep. QTY
1		22907802		HAND LIFTER						1	
2		B1521555000		SCREW						1	
3		RO037180100		RUBBER RING						1	
4		22908552		HAND LIFTER CAM ASM.						1	
5		22908354		KNEE LIFTING CROSS ROD ASM.						1	
6	R	22908156	22908354	LIFTING LINK ASM.				*		1	1.00
7		RE0500000K0		E-RING				*		1	
8	R	22908008	22908354	LIFTING PLATE		A	DDL-5550 5550N 555- ON-7 5556- N-7 5600NL-7	*		1	1.00
8	R	22908008	23609357	LIFTING PLATE		B	DDL-9000A 9000B	*		1	1.00
8	R	22908008	40057398	LIFTING PLATE		C	LH-3500	*		1	1.00
8	R	22908008	40174387	LIFTING PLATE		D	DDL-9000C	*		1	1.00
9		RE0500000K0		E-RING				*		1	
10		22908305		KNEE LIFTER SIDE ROD				*		1	
11		22908701		LINK SHAFT						2	
12		22908909		HINGE SCREW						1	
13		SD0720331SP		HINGE SCREW D= 7.24 H= 3.3						1	
14		22909006		KNEE LIFTER CONNECTING ROD						1	
15		22908800		KNEE LIFTER LINK						1	
16		SS4110515SP		SCREW 11/64-40 L=5						1	
17		SS4110515SP		SCREW 11/64-40 L=5						1	
18		22944508		WIRE PRESSER A						2	
19		SS4120615SP		SCREW 3/16-28 L=6						1	
20		22944607		WIRE PRESSER BASE UPPER						1	
21		11394657		TENSION RELEASE WIRE ASM.						1	
22		RE0500000K0		E-RING						2	
23		22920201		RETURN SPRING						1	
24		11394707		WIRE PRESSER PLATE						1	
25		22920409		THREAD RELEASE PIN SPRING						1	
26		SS4120615SP		SCREW 3/16-28 L=6						1	
27		22920300		THREAD RELEASE SUPPORTING PIN						1	
28		22920003		THREAD RELEASE PLATE	FOR DLD-5430N					1	
29		B15244300BA		PRESSER FOOT ASM.						1	
30		22920102		TENSION RELEASE SHAFT						1	
31		22907554		PRESSER SPRING REG NUT ASM.						1	
32	R	22907604	22907554	PRESSER SPRING REGULATOR NUT				*		1	1.00
33	R	22907505	22907554	PRESSER SPRING REGULATOR				*		1	1.00
34		22907406		PRESSER SPRING						1	
35		22907208		PRESSER BAR GUIDE BRACKET						1	
36		40017805		PRESSER BAR						1	
37		22907307		THREAD GUIDE						1	
38		SS8660810TP		SCREW 1/4-40 L=8						1	
39		SS6090910SP		SCREW 9/64-40 L=9						2	
40		40060989		PRESSER BAR BUSHING LOWER						1	
41		SS7091110TP		SCREW 9/64-40 L=10.5						1	

HAND LIFTER COMPONENTS

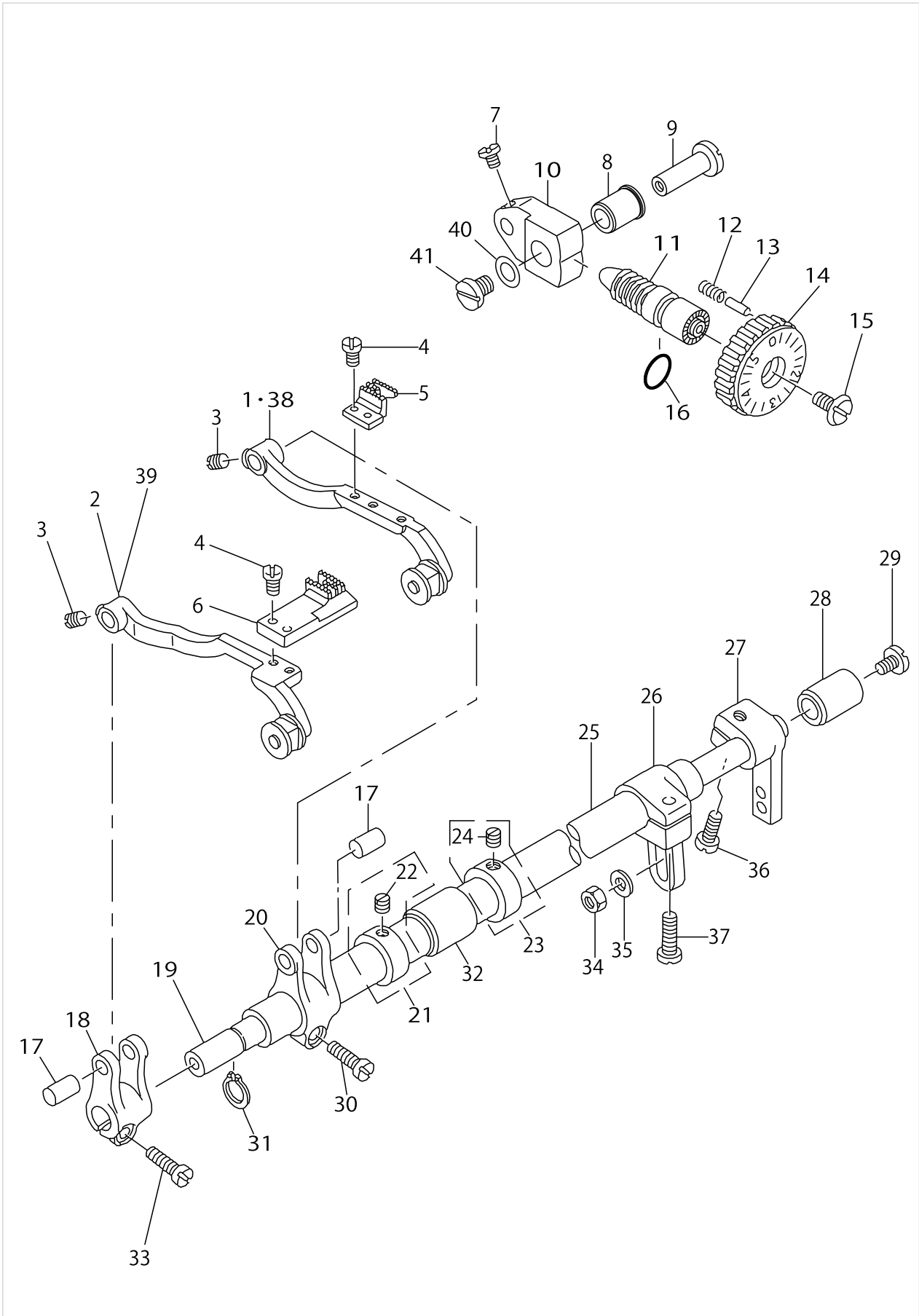


HAND LIFTER COMPONENTS

No.	Supply Code	Parts No.	Replacement	Parts name	Remarks	Choice	Step	Level	Cons	Qty	Rep. QTY
42		SS4150915SP		SCREW 15/64-28 L=9						1	
43		22944706		WIRE PRESSER BASE LOWER						1	
44		NS6620310SP		NUT 3/16-32						2	
45		RE0500000K0		E-RING						3	
46		22907703		PRESSER GUIDE BAR						1	
47		E8760452H00		TUBE						.04	



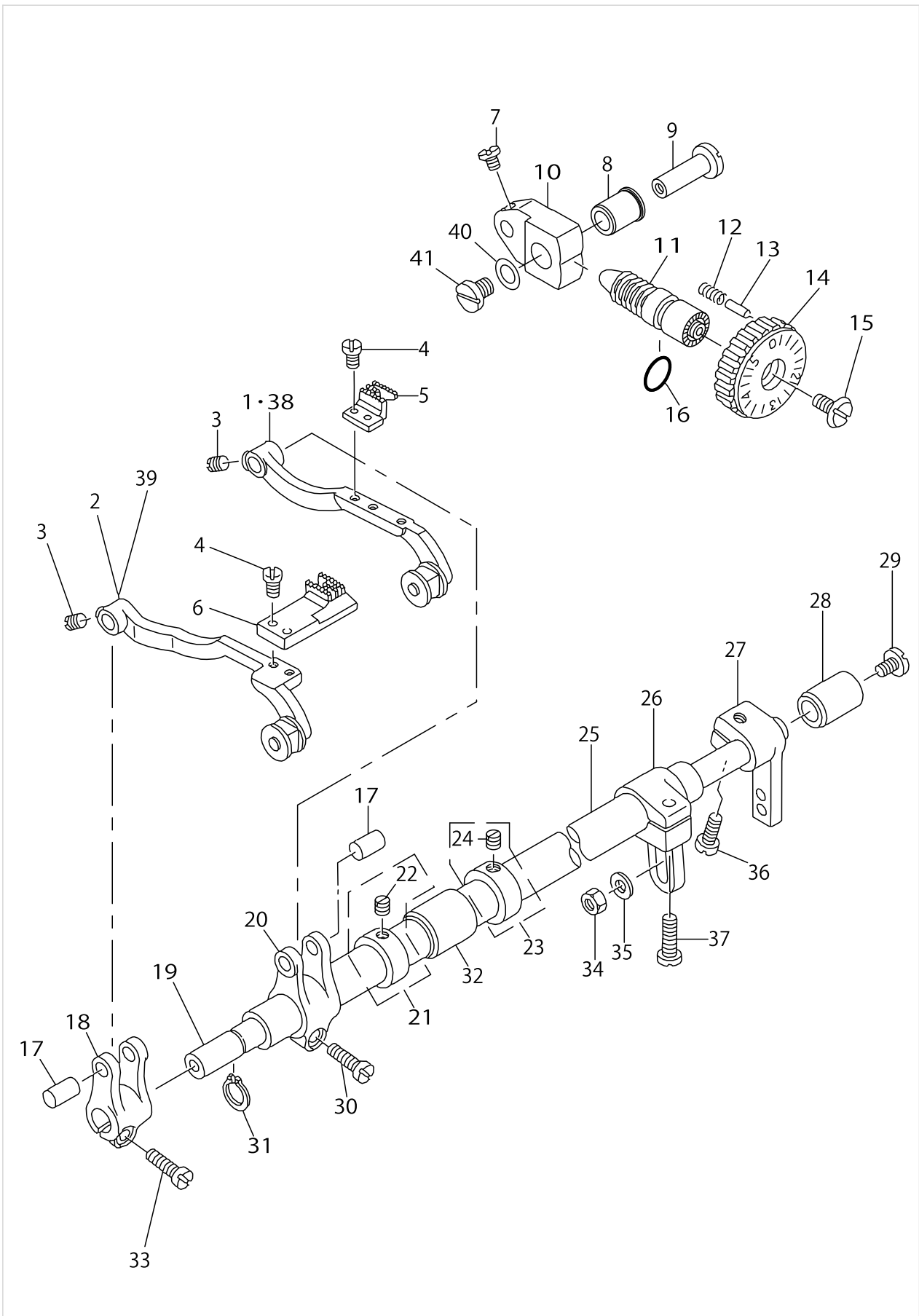
FEED ROCKER MECHANISM COMPONENTS (1)



FEED ROCKER MECHANISM COMPONENTS (1)

No.	Supply Code	Parts No.	Replacement	Parts name	Remarks	Choice	Step	Level	Cons	Qty	Rep. QTY
1		11393055		MAIN FEED BAR ASM.						1	
2		11393352		VICE-FEED BAR ASM.						1	
3		SS8110410TP		SCREW 11/64-40 L= 3.5						2	
4		SS4080620TP		SCREW 1/8-44 L=6						4	
5		B1613430A00		MAIN FEED DOG STRETCH						1	
6		B1613432A00A		FEED DOG STRETCH						1	
7		SS6090560TP		SCREW 9/64-40 L=4.5						2	
8		11009800		FEED REGULATOR BUSHING						1	
9		11385127		FEED REGULATOR SHAFT						1	
10		11385028		FEED REGULATOR						1	
11		22911804		FEED REGULATOR SCREW						1	
12		22912109		FEED REGULATOR PIN SPRING						1	
13		22912000		FEED REGULATOR PIN						1	
14		11397007		FEED DIAL						1	
15		SS6121860SP		SCREW 3/16-28 L=18						1	
16		RO092270200		RUBBER RING						1	
17		B1610430000		DIFFERENTIAL FEED ROCKER SHAFT						2	
18	R	11382603	11382652	DIFFERENTIAL FEED BAR ARM						1	1.00
19		11382702		FEEDROCKER SHAFT						1	
20	R	11381100	11381159	MAIN FEED ROCKER						1	1.00
21		GS1470710SH		THRUST COLLAR A- SM. D=14.72 W=7						1	
22		SS8110410TP		SCREW 11/64-40 L= 3.5				*		2	
23		22904155		MAIN SHAFT THRU- ST COLLAR ASM.						1	
24		SS8660610TP		SCREW 1/4-40 L=6				*		2	
25		11381209		MAIN FEED ROCK SHAFT						1	
26		11381308		MAINFEEEDROCKARM						1	
27		11382801		FEED ROCKER ARM						1	
28	D	11383205		BUSHING REAR						1	
29		SS7120770SH		SCREW 3/16-28 L=7						1	
30		SS7121610SP		SCREW 3/16-28 L=15.5						1	
31		RC0931011KP		RETAINING RING						1	
32		22913008		FEED ROCKER SHAFT BUSHING						1	
33		SS6121210SP		SCREW 3/16-28 L=12						1	
34		NS6110530SP		NUT 11/64-40						1	
35		WP0501016SD		WASHER 5X10.5X1						1	
36		SS6121210SP		SCREW 3/16-28 L=12						1	
37		SS6121610TP		SCREW 3/16-28 L=15.5						1	
38		11381050		FEED BAR ASM. MAIN	FOR DLD-5430N					1	
39		11382553		DIFFERENTIAL FEED BAR ASM.	FOR DLD-5430N					1	
40		WP0702026SP		WASHER 7X15X2						1	
41		SS9661120CP		SCREW 1/4-40 L=10.5						1	

FEED ROCKER MECHANISM COMPONENTS (2)



FEED ROCKER MECHANISM COMPONENTS (2)

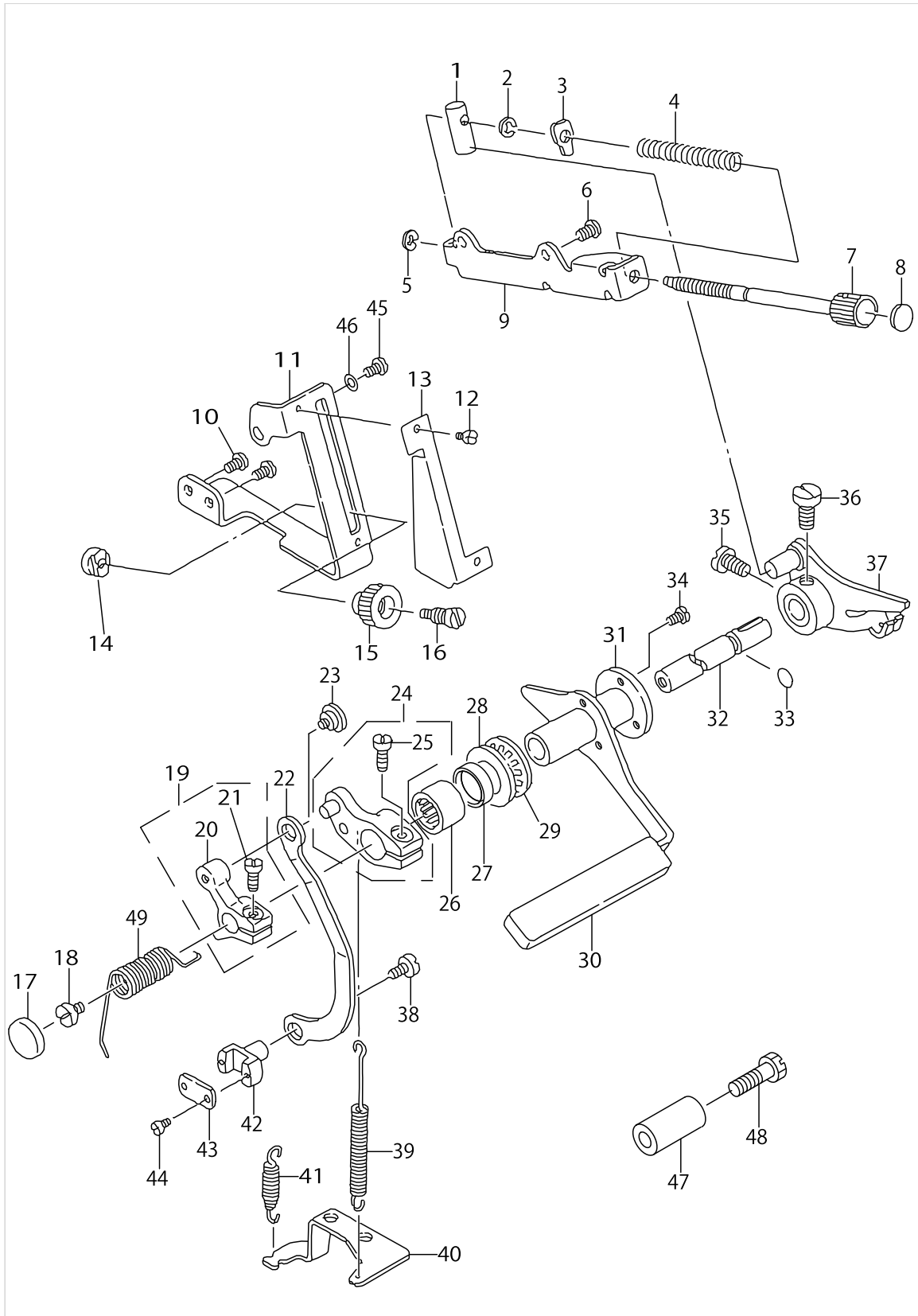
No.	Supply Code	Parts No.	Replacement	Parts name	Remarks	Choice	Step	Level	Cons	Qty	Rep. QTY
1		22912901		FEEDROCKERSHAFT						1	
2		RC0150001KP		RETAINING RING 13.8						1	
3	R	11390754	11390705	FEED BRANCH ASM.						2	1.00
4	R	SS7111410SP	SS7111410TP	SCREW11/64-40L=14				*		2	1.00
5		22913008		FEED ROCKER SHAFT BUSHING						1	
6		B1636581A00		NEEDLE BEARING	SELECTIVE PARTS(A~D)					1	
7		22904155		MAIN SHAFT THRU-ST COLLAR ASM.						1	
8		SS8660610TP		SCREW 1/4-40 L=6				*		2	
9		RC1850001KP		SNAP RING 18.5						1	
10		22915003		CONNECTING ROD						1	
11	D	11384054		FEED ECCENTRIC CAM ASM.						1	
12		SS6661110SP		SCREW 1/4-40 L=11				*		2	
13	D	11384211		FEED ROCKER ROD						1	
14		22910103		THRUST COLLAR						1	
15		SS4090615SP		SCREW 9/64-40 L=6						2	
16		NS6680410SP		NUT 9/32-28						1	
17		11390903		DRIVING SHAFT ARM						1	
18		SS6121210SP		SCREW 3/16-28 L=12						1	
19		SD1000801SH		HINGE SCREW D=10 H=8						1	
20		11384500		CONNECTING LINK COLLAR						1	
21		11384302		PIN B						1	
22		SS6090620TP		SCREW						1	
23		11385556		FEED ADJUST LINK ASM.	FOR DLD-- 5430N,543- 0N-7-00,-W0					1	
24		SS6090620TP		SCREW				*		2	
25		11385309		CONNECTING ROD	FOR DLD-- 5430N,543- 0N-7-00,-W0					1	
26		NS6110310SP		NUT 11/64-40						1	
27		11385408		SUSPENSION PIN						1	
28		22911507		WALKING FOOT PIN C						1	
29		RE0500000K0		E-RING						1	
30		SS6110610TP		SCREW 11/64-40 L=6	FOR DLD-- 5430N-7-0B,-WB					2	
31		11393758		ADJUSTING ROD PLATE ASM.	FOR DLD-- 5430N-7-0B,-WB					1	
32		11393600		ADJUSTING ROD	FOR DLD-- 5430N-7-0B,-WB					1	
33		11385804		ADJUSTING LINK F-ULCRM SHAFT B						1	
34		SS8150710TP		SCREW 15/64-28 L=7						2	
35		22910806		ADJUST LINK FULCRUM SHAFT A						1	
36		RE0500000K0		E-RING						1	
37		22910905		WALKING FOOT PIN A						1	
38		11393857		ADJUSTING LINK ASM.	FOR DLD-- 5430N-7-0B,-WB					1	
39		SS6090620TP		SCREW				*		2	
40		11384401		CONNECTING LINK						2	
41	D	11384658		CONNECTING LINK ASM.						1	
42		SS6110640SP		SCREW 11/64-40 L=6						1	



FEED ROCKER MECHANISM COMPONENTS (2)

No.	Supply Code	Parts No.	Replacement	Parts name	Remarks	Choice	Step	Level	Cons	Qty	Rep. QTY
43		11381506		MAIN FEED LINK						1	
44		11381407		LINK PIN						1	
45		CS1470710SH		THRUST COLLAR A- SM. D=14.72 W=7						2	
46		SS8110410TP		SCREW 11/64-40 L= 3.5				*		4	
47		SS6090620TP		SCREW						1	
48		11384807		DRIVING ARM						1	
49		11383106		DIFFERENTIAL LINK						1	
50		11384906		PIN						1	

# FEED MECHANISM COMPONENTS

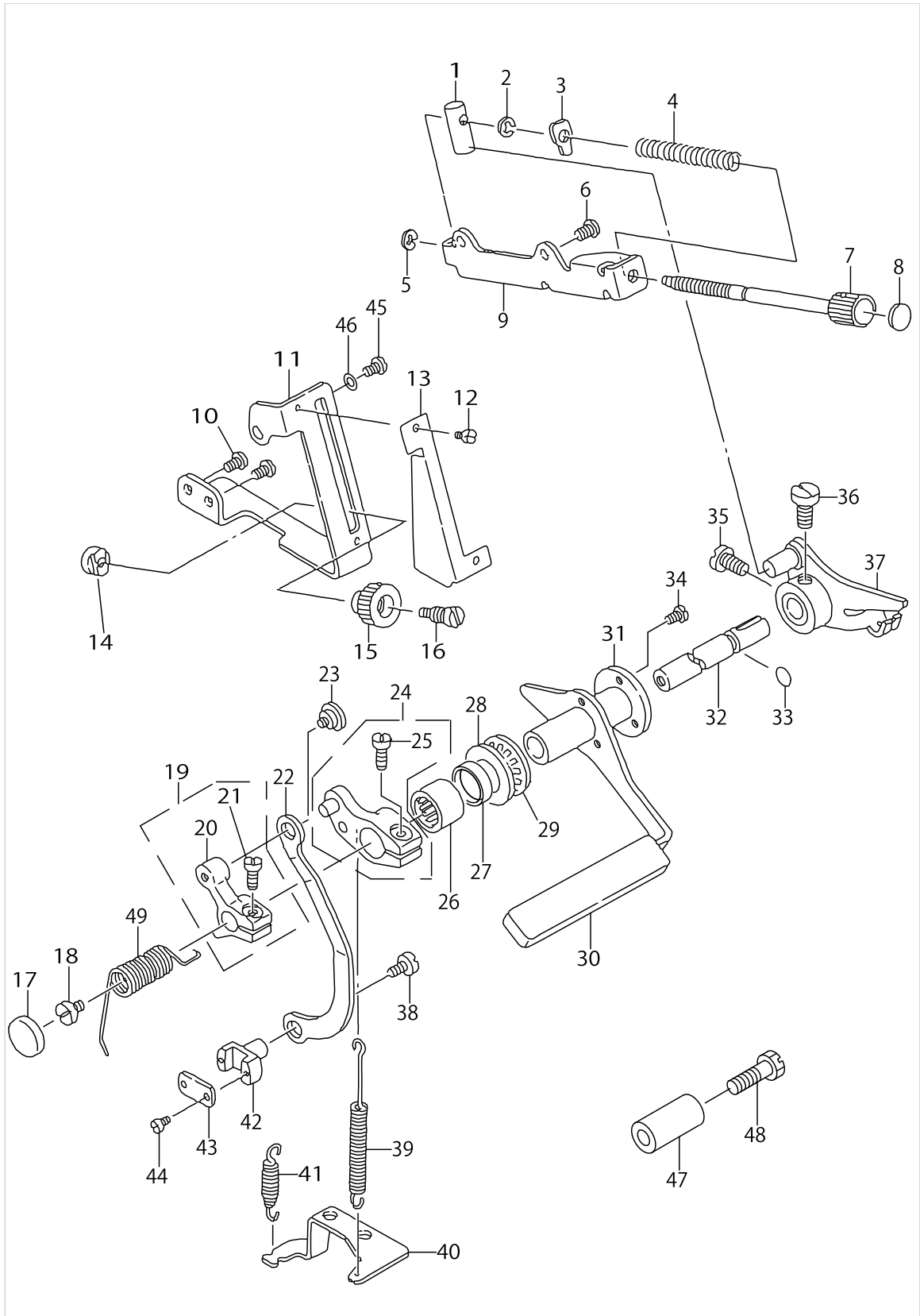


FEED MECHANISM COMPONENTS

No.	Supply Code	Parts No.	Replacement	Parts name	Remarks	Choice	Step	Level	Cons	Qty	Rep. QTY
1		11389400		STOPPER						1	
2		RE0400000K0		E-RING 4						1	
3		11389301		STOPPER PLATE						1	
4		11212701		STOPPER SPRING						1	
5		RE0320000K0		E-RING 3.2						1	
6		SS4120615SP		SCREW 3/16-28 L=6						2	
7		11389251		REGULATING DIAL SCREW						1	
8		11212503		STOPPER DIAL PLATE						1	
9		11389103		ADJUSTING BASE						1	
10		SS4120615SP		SCREW 3/16-28 L=6						2	
11		11388501		DIFFERENTIAL BAR						1	
12		SS6080320SP		SCREW 1/8-44 L=2.5						2	
13		11388600		GAUGE PLATE						1	
14		11388808		STOPPER						1	
15		11389004		NUT						1	
16		11388907		SCREW						1	
17		TA1750502R0		RUBBER PLUG D=17.5 L=5						1	
18		SS7620750SP		SCREW 3/16-32 L=6.5						1	
19	D	11387958		DIFFERENTIAL ADJUST ARM ASM.						1	
20		11387909		DIFFERENTIAL ADJUST ARM				*		1	
21		SS6121010SP		SCREW 3/16-28 L=10				*		1	
22		11387800		DIFFERENTIAL ADJUST ROD						1	
23		SD0800231SP		HINGE SCREW D=8 H=2.3						1	
24		11387461		LEVER ARM ASM.						1	
25		SS7121410TP		SCREW 3/16-28 L=14				*		1	
26		B1644490000		NEEDLE BEARING						1	
27		B1641490000		OIL SEAL						1	
28		B1242980000		THRUST WASHER SMALL						1	
29		B1211980000		UPPER SHAFT THRUST BEARING						1	
30		11397155		LEVER ASM.						1	
31		11387206		LEVER SHAFT						1	
32		11388105		LEVER						1	
33		RO069180100		RUBBER RING						1	
34		SS6090510TP		SCREW 9/64-40 L=5.0						3	
35		SS6661110SP		SCREW 1/4-40 L=11						1	
36		SS6661310SP		SCREW 1/4-40 L=13						1	
37		11388253		DIFFERENTIAL PLATE						1	
38		SS6110640SP		SCREW 11/64-40 L=6						1	
39		11302700		SPRING						1	
40	D	11385903		FEED SPRING HOOK						1	
41		11386000		SPRING						1	
42		11382900		FEED ROCKER ARM SLIDE						1	
43		11383007		SLIDE COVER						1	
44		SS6080410SP		SCREW 1/8-44 L=4						2	
45		SS4120915SP		SCREW 3/16-28 L=9						1	
46		WP0551016SH		WASHER 5.5X13X1						1	



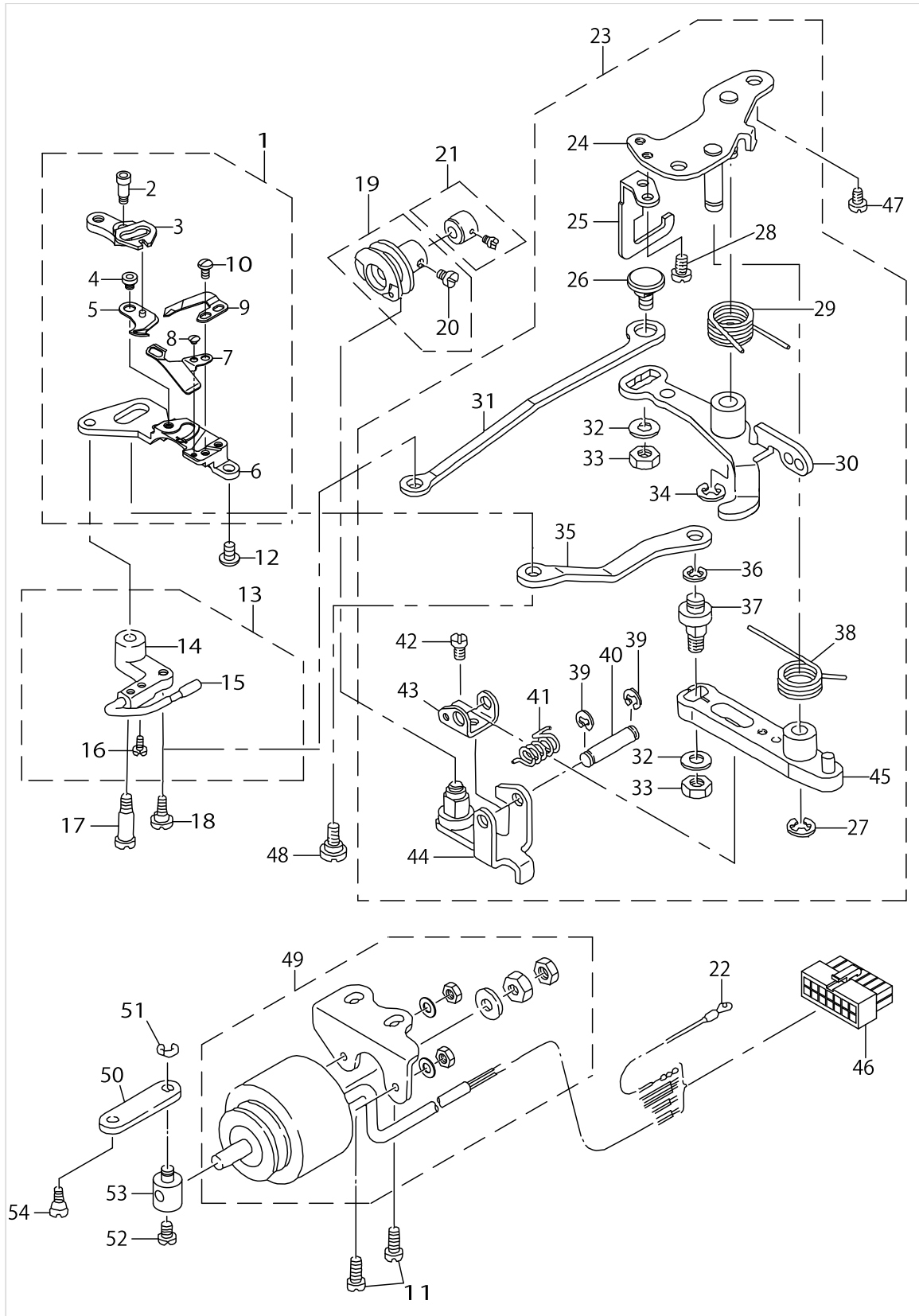
FEED MECHANISM COMPONENTS



FEED MECHANISM COMPONENTS

No.	Supply Code	Parts No.	Replacement	Parts name	Remarks	Choice	Step	Level	Cons	Qty	Rep. QTY
47	R	11100500	22952501	REVERSE FEED LEVER STOPPER						2	1.00
48		SS6121840SP		SCREW 3/16-28 L=18						2	
49		11388006		SPRING						1	

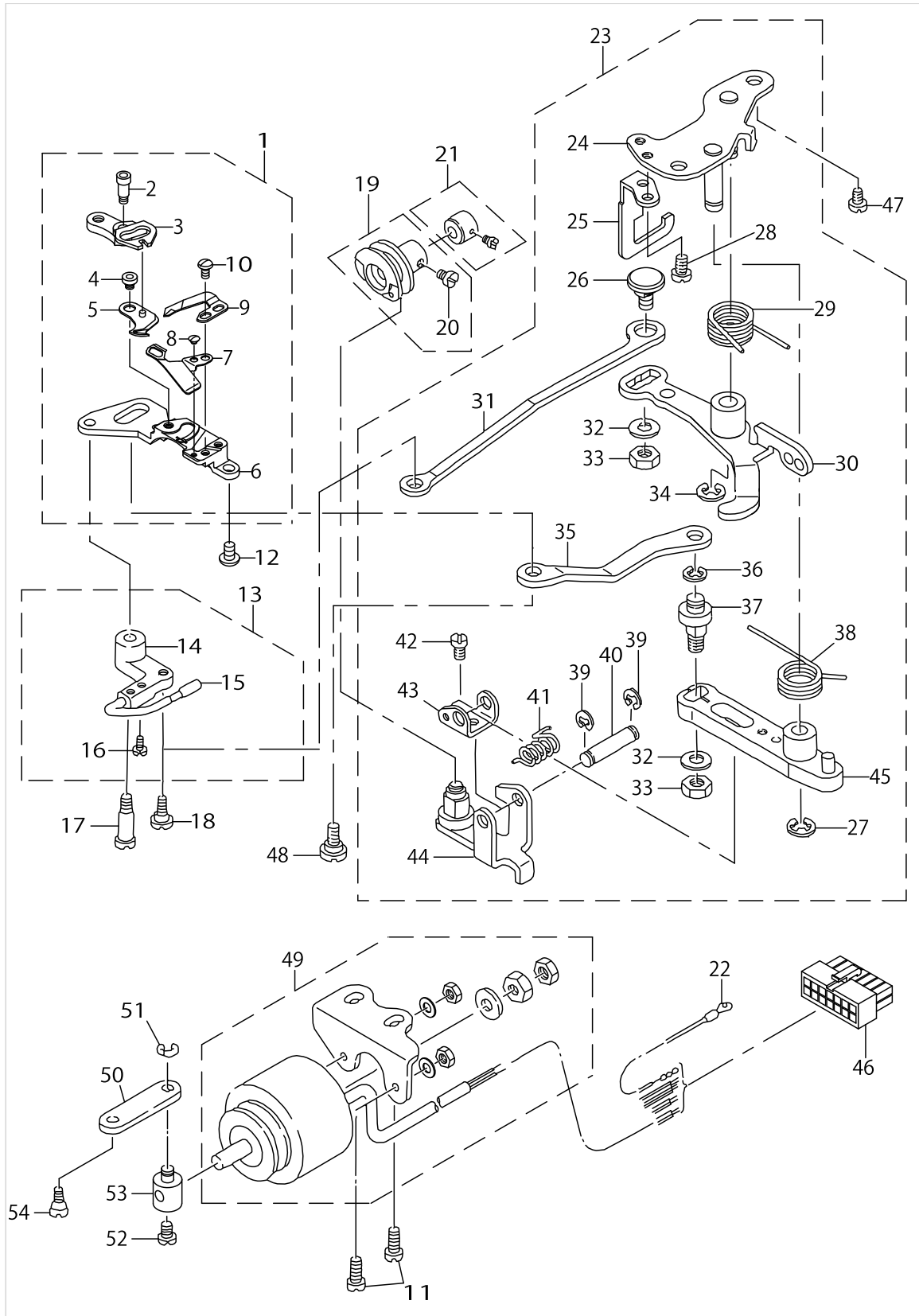
# THREAD TRIMMER MECHANISM COMPONENTS



THREAD TRIMMER MECHANISM COMPONENTS

No.	Supply Code	Parts No.	Replacement	Parts name	Remarks	Choice	Step	Level	Cons	Qty	Rep. QTY
1	R	11040359	22947956	KNIFE UNIT						1	1.00
2		SD0460703TP		HINGE SCREW D=4.6 H=7				*		1	
3		11040508		FORKED BASE FOR KNIFE				*		1	
4		11040409		MOVING KNIFE HINGE SCREW				*		1	
5		11040052		MOVING KNIFE ASM.				*		1	
6		22947907		KNIFE MOUNTING BASE				*		1	
7	R	11313103	22947808	THREAD GUIDE FOR KNIFE				*		1	1.00
8		SS2060210SP		SCREW 3/32-56 L=2.3				*		1	
9		D2406555D0H		COUNTER KNIFE				*		1	
10		SS4080620TP		SCREW 1/8-44 L=6				*		2	
11		SS4151215SP		SCREW 15/64-28L=12				*		2	
12		SS4110715SP		SCREW 11/64-40 L=7				*		1	
13	R	11042553	22950257	PICKER ARM ASM.						1	1.00
14	R	11042504	22950208	PICKER ARM				*		1	1.00
15		22950356		HOOK THREAD PRESSER ASM.				*		1	
16		SS6090510TP		SCREW 9/64-40 L= 5.0				*		2	
17		SD0641451SP		HINGE SCREW D= 6.35 H=14.5				*		1	
18		SD0630275SP		HINGE SCREW D= 6.35 H= 2.7				*		1	
19	R	11042850	22950851	THREAD TRIMMER CAM ASM.						1	1.00
20		SS6660610TP		SCREW 1/4-40 L=6				*		2	
21		22950950		CAM COLLAR ASM.						1	
22		22951552		GROUND WIRE ASM.						1	
23	R	11042264	22949762	THREAD TRIMMER DRIVING UNIT						1	1.00
24		22949754		BASE PLATE ASM.				*		1	
25		22950703		DRIVING ARM STOPPER				*		1	
26		22950000		PICKER LINK PIN				*		1	
27		RE0600000K0		E-RING 6				*		1	
28		SS4110715SP		SCREW 11/64-40 L=7				*		2	
29		22949408		CLUTCH SPRING				*		1	
30	R	11041852	40087245	CLUTCH PLATE ASM.				*		1	1.00
31		22950109		PICKER LINK				*		1	
32		WP0621016SH		WASHER				*		2	
33		NS6150430SP		NUT 15/64-28				*		2	
34		RE0600000K0		E-RING 6				*		1	
35		22948301		MOVING KNIFE LINK				*		1	
36		RE0500000K0		E-RING				*		1	
37		22948400		MOVING KNIFE LINK PIN				*		1	
38		22949309		KNIFE RETURN SPRING B				*		1	
39		RE0400000K0		E-RING 4				*		2	
40		22949101		ROLLER FULCRUM SHAFT				*		1	
41		22949200		ROLLER RETURN SPRING				*		1	
42		SS7090610SP		SCREW 9/64-40 L=6				*		1	
43		22949002		ROLLER ARM SEAT				*		1	
44		11040953		ROLLER ARM ASM.				*		1	
45	R	11040854	22948558	KNIFE DRIVING ARM ASM.				*		1	1.00
46		HK034610140		HOUSING 14P						1	

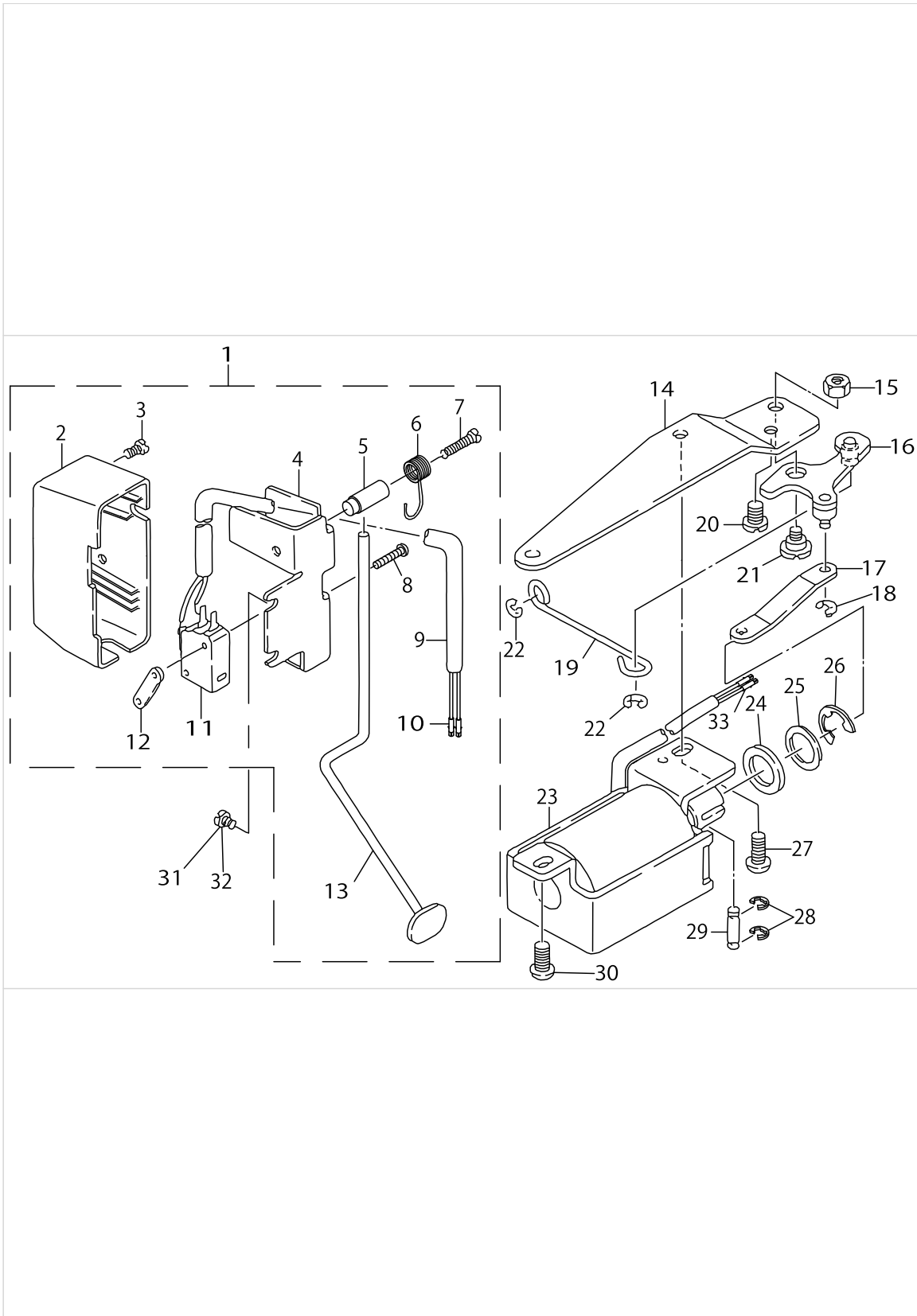
# THREAD TRIMMER MECHANISM COMPONENTS



THREAD TRIMMER MECHANISM COMPONENTS

No.	Supply Code	Parts No.	Replacement	Parts name	Remarks	Choice	Step	Level	Cons	Qty	Rep. QTY
47		SS4150915SP		SCREW 15/64-28 L=9						2	
48		SD0640631TP		HINGE SCREW D=6.35 H=6.3						1	
49		40106930		THREAD TRIMMER SOLENOID ASM.						1	
50		22949903		CLUTCH LINK						1	
51		RE0500000K0		E-RING						1	
52		SS6110710TP		SCREW 11/64-40 L= 6.5						1	
53		22951008		SOLENOID PIN						1	
54		SD0600361SP		HINGE SCREW D=6 H=3.6						1	

AUTOMATIC REVERSE FEED COMPONENTS

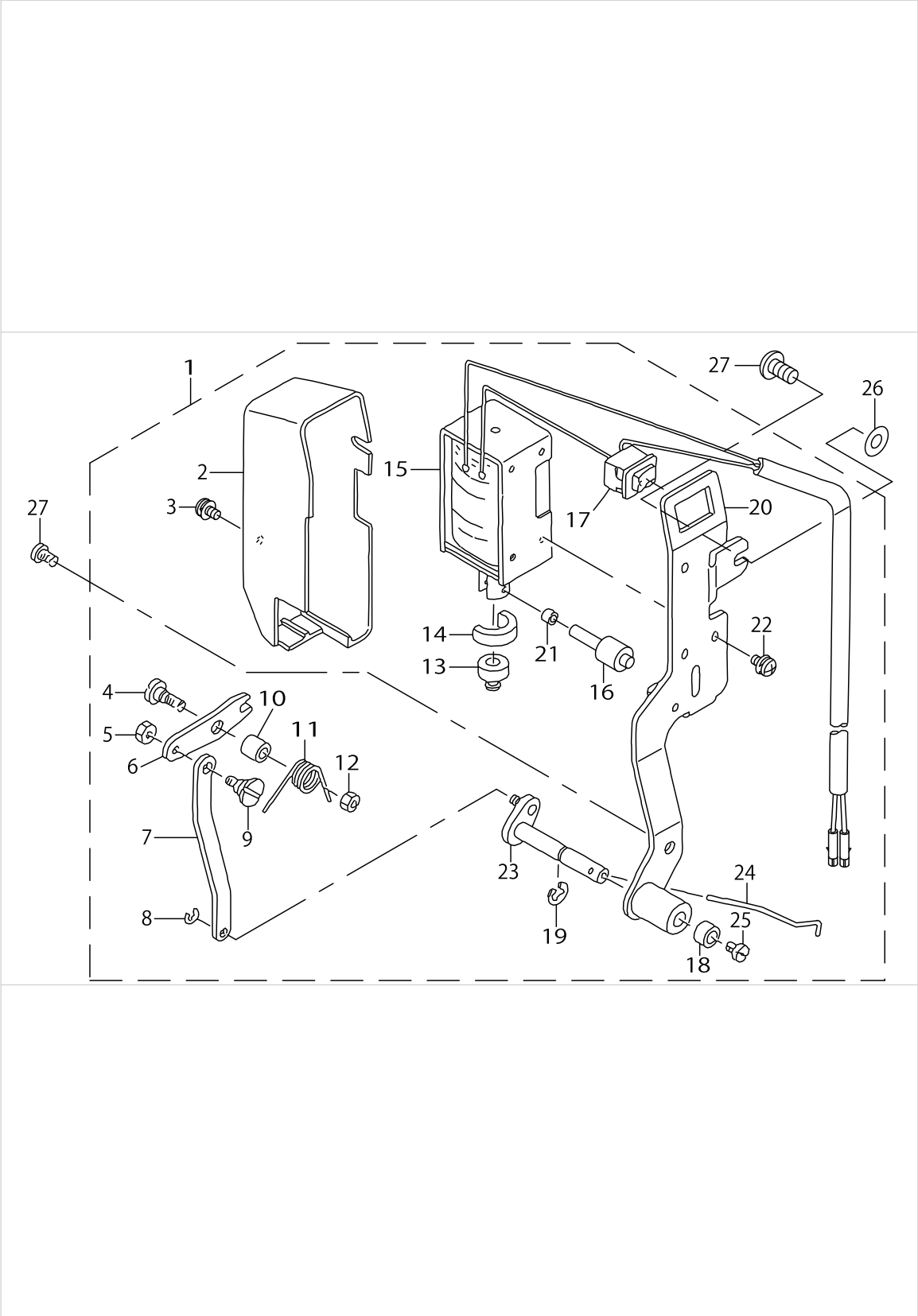


AUTOMATIC REVERSE FEED COMPONENTS

No.	Supply Code	Parts No.	Replacement	Parts name	Remarks	Choice	Step	Level	Cons	Qty	Rep. QTY
1		11075058		REVERSE FEED SWITCH ASM.						1	
2		22954606		REVERSE FEED SWITCH COVER				*		1	
3		SM4040655SP		SCREW M4 L=6				*		1	
4		22954101		REVERSE FEED SWITCH BASE				*		1	
5		22954200		REVERSE FEED SWITCH SHAFT				*		1	
6		22954309		REVERSE FEED SWITCH SPRING				*		1	
7		SM4041655SP		SCREW M4 L=16				*		1	
8		SM4031501SC		SCREW M3 L=15				*		2	
9		HW500070000		2-CORE CABTYRE CORD				*		1.31	
10		HK03464000B		PIN CONTACT				*		2	
11		HA001900000		MICROSWITCH				*		1	
12	R	11102308	22954408	MICRO SWITCH PLATE				*		1	1.00
13		22954507		REVERSE FEED SWITCH LEVER				*		1	
14		11395001		SOLENOID INSTALLING BAR						1	
15		NS6660430SP		NUT 1/4-40						1	
16		11395258		REVERSE FEED ARM ASM.						1	
17		11395100		CONNECTING LINK						1	
18		RE0400000KP		E-RING 4						1	
19		11395506		CONNECTING ROD						1	
20		SS7150940SP		SCREW 15/64-28 L=9						1	
21		SD0800321TH		HINGE SCREW D=8 H=3.2						1	
22		RE0500000KP		E-RING 5						2	
23		11395951		REVERSE FEED SOLENOID ASM.						1	
24		D2468555B00		RUBBER PLUNGER						1	
25		WP1602616SZ		WASHER 16X24X2.6						1	
26		RE1200000K0		E-RING 12						1	
27		SS4151415SP		SCREW15/64-28L=14						1	
28		RE0400000K0		E-RING 4						1	
29		22953509		REVERSE FEED PL- UNGER ARM PIN						2	
30		SS4151215SP		SCREW15/64-28L=12						1	
31		SS4120915SP		SCREW 3/16-28 L=9						1	
32		SS4120615SP		SCREW 3/16-28 L=6	FOR DLD-- 5430N-7-0B					1	
33		HK03464000B		PIN CONTACT						2	



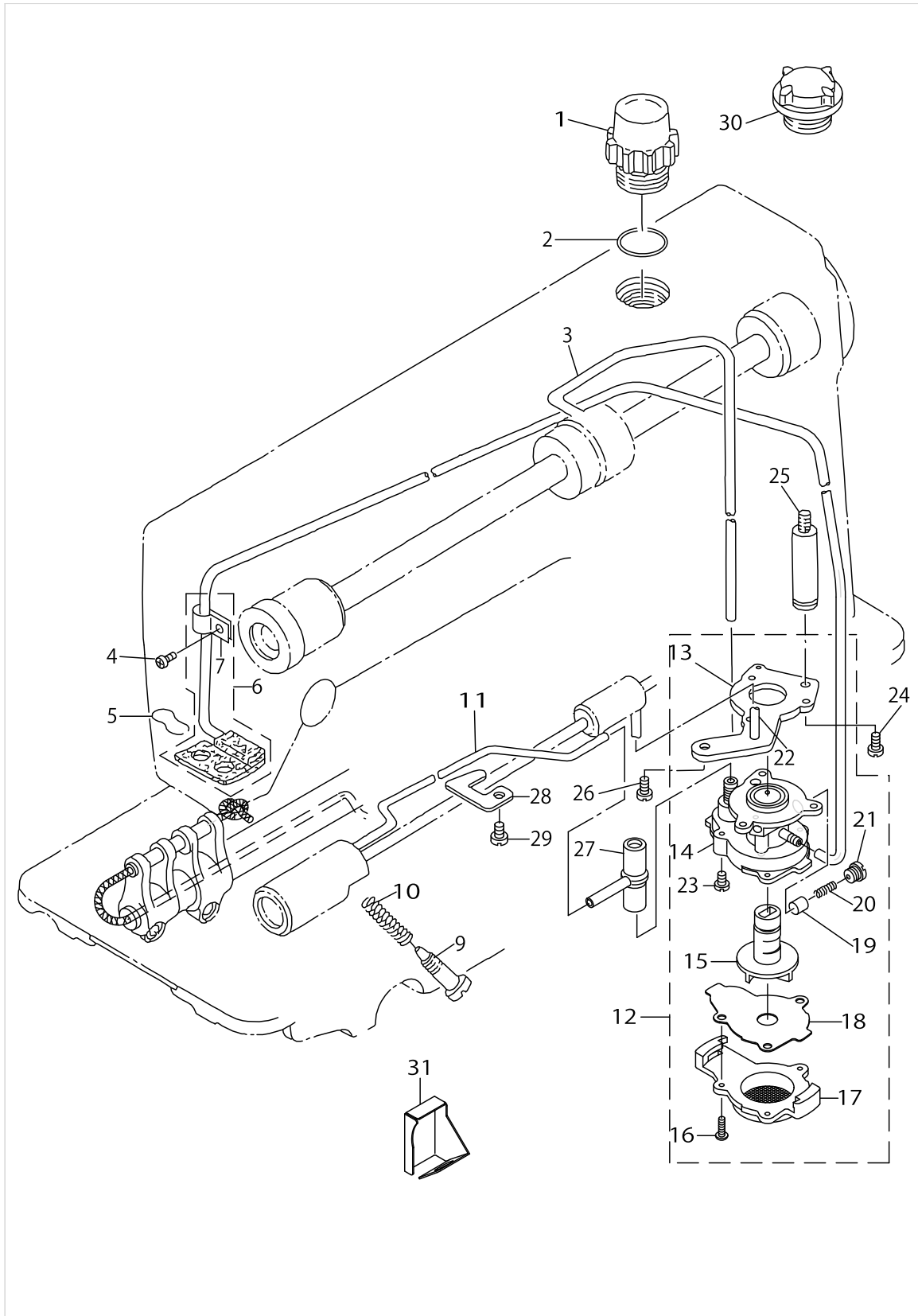
WIPER COMPONENTS



WIPER COMPONENTS

No.	Supply Code	Parts No.	Replacement	Parts name	Remarks	Choice	Step	Level	Cons	Qty	Rep. QTY
1		22955553		WIPER ASM.						1	
2		22955504		WIPER COVER				*		1	
3		SL4030631SC		SCREW M3X6				*		1	
4		SD0650321TP		HINGE SCREW D=6.5 H=3.2				*		1	
5		NS6090310SP		NUT 9/64-40				*		1	
6		22956106		WIPER LINK A				*		1	
7		22956403		WIPER LINK B				*		1	
8		RE0250000K0		E-RING 2.5				*		1	
9		22956908		WIPER LINK B HINGE SCREW				*		1	
10		22956205		WIPER HINGE SCREW COLLAR				*		1	
11		22956304		WIPER SPRING				*		1	
12		NS6110310SP		NUT 11/64-40				*		1	
13		22955900		WIPER RUBBER A				*		1	
14		22956007		WIPER RUBBER B				*		1	
15		40106936		WIPER SOLENOID ASM.				*		1	
16		22957104		WIPER SOLENOID SHAFT				*		1	
17		HA00600000A		SWITCH				*		1	
18		22956809		WIPER COLLAR				*		1	
19		RE0500000K0		E-RING				*		1	
20		11110152		WIPER BASE ASM.				*		1	
21		22957203		WIPER LINK COLLAR				*		1	
22		SL4030641SE		SCREW				*		3	
23	R	11111051	40041419	WIPER DRIVING SHAFT ASM.				*		1	1.00
24		22957005		WIPER				*		1	
25		SS6090540SP		SCREW 9/64-40 L= 5.0				*		1	
26		WP0482086SD		WASHER 4.8X11.5X2				*		1	
27		SS4120915SP		SCREW 3/16-28 L=9				*		2	

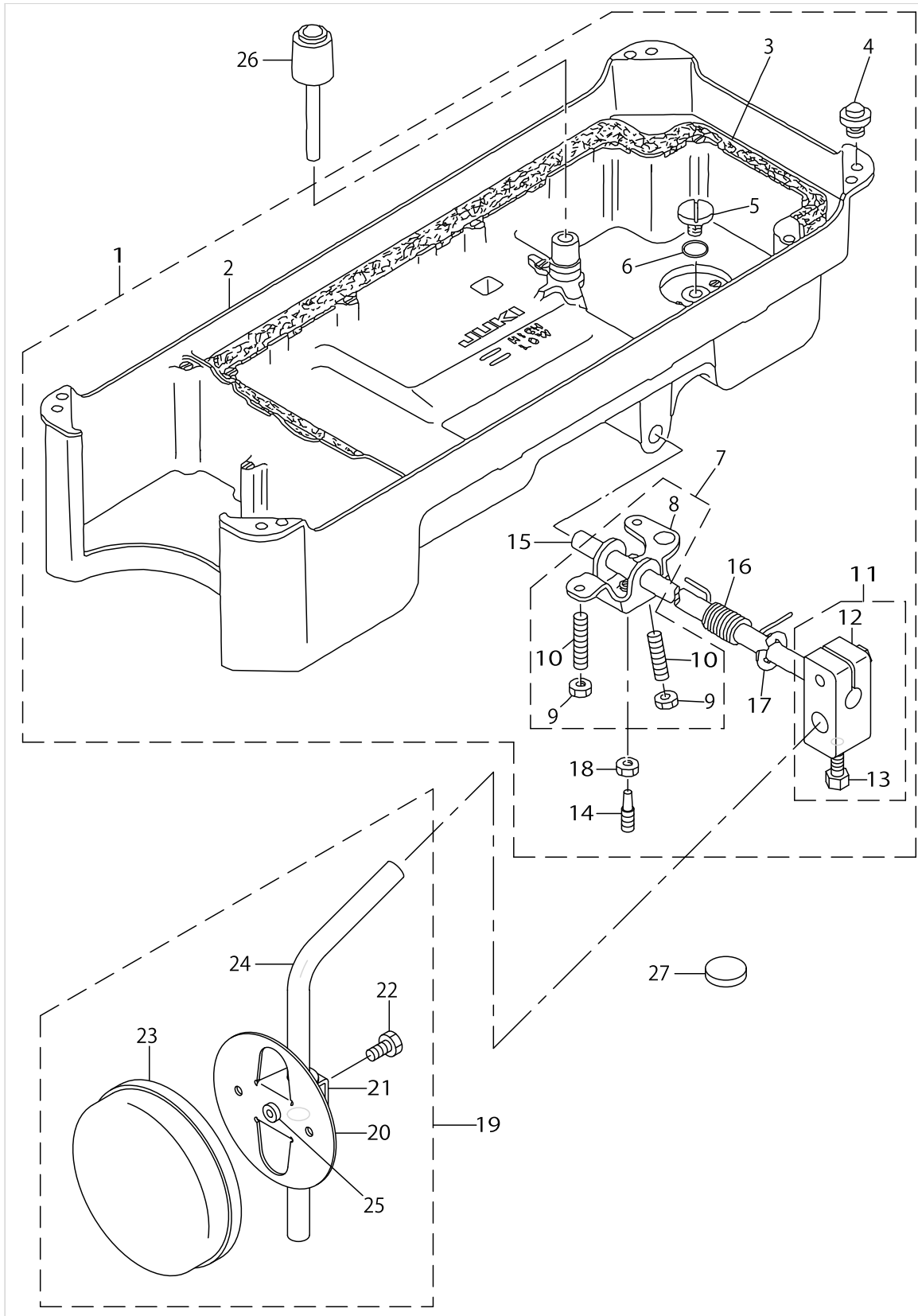
OIL LUBRICATION COMPONENTS



OIL LUBRICATION COMPONENTS

No.	Supply Code	Parts No.	Replacement	Parts name	Remarks	Choice	Step	Level	Cons	Qty	Rep. QTY
1	R	22947006	22924708	OIL SIGHT WINDOW						1	1.00
2		RO195240100		RUBBER RING						1	
3		22924401		MAINSHAFTOILTUBE						1	
4		SS4120615SP		SCREW 3/16-28 L=6						1	
5		22925101		OIL FELT PRESSER						1	
6		22924153		RETURN PIPE ASM.						1	
7		22924302		RETURN PIPE HOLDER				*		1	
8		CQ202000000		OIL WICK						.28	
9		22925002		OIL REGULATOR SCREW						1	
10		22924906		OIL REGULATOR SCREW SPRING						1	
11		22924500		HOOK OIL TUBE						1	
12		11392057		OIL PUMP ASM.						1	
13	R	22923312	11392057	OIL PUMP INSTALLING BASE		A	DLD5430	*		1	1.00
13	R	22923312	11404555	OIL PUMP INSTALLING BASE		B	DDL5600/- 8100e, DU1181	*		1	1.00
13	R	22923312	22923056	OIL PUMP INSTALLING BASE		C	DDL8700/- 8300/8500- /900A, DM- N5420/5400	*		1	1.00
14	R	22923015	22923056	OIL PUMP				*		1	1.00
15		22923700		IMPELLER				*		1	
16		SE4301041SR		SCREW D=3 L=10				*		3	
17		22923205		PUMP BODY COVER				*		1	
18		22923809		PUMP BODY SUPPORT PLATE				*		1	
19		22923403		PLUNGER				*		1	
20		22923601		PLUNGER SPRING				*		1	
21		22923502		PLUNGER SCREW				*		1	
22		22923908		HOOK DRIVING SHAFT OIL TUBE				*		1	
23		SL4030851SF		SCREW M3 L=8				*		3	
24	R	SS6111010SP	SS6111010TP	SCREW 11/64-40 L= 9.5						1	1.00
25		22924005		PUMP BODY STRUT						1	
26		SS4150915SP		SCREW 15/64-28 L=9						1	
27		22924609		RUBBER JOINT						1	
28		22924807		PIPE HOLDER LOWER						1	
29		SS4150915SP		SCREW 15/64-28 L=9						1	
30		22924708		OIL SIGHT WINDOW	FOR DLD-5430N					1	
31		22942601		OIL SHIELD						1	

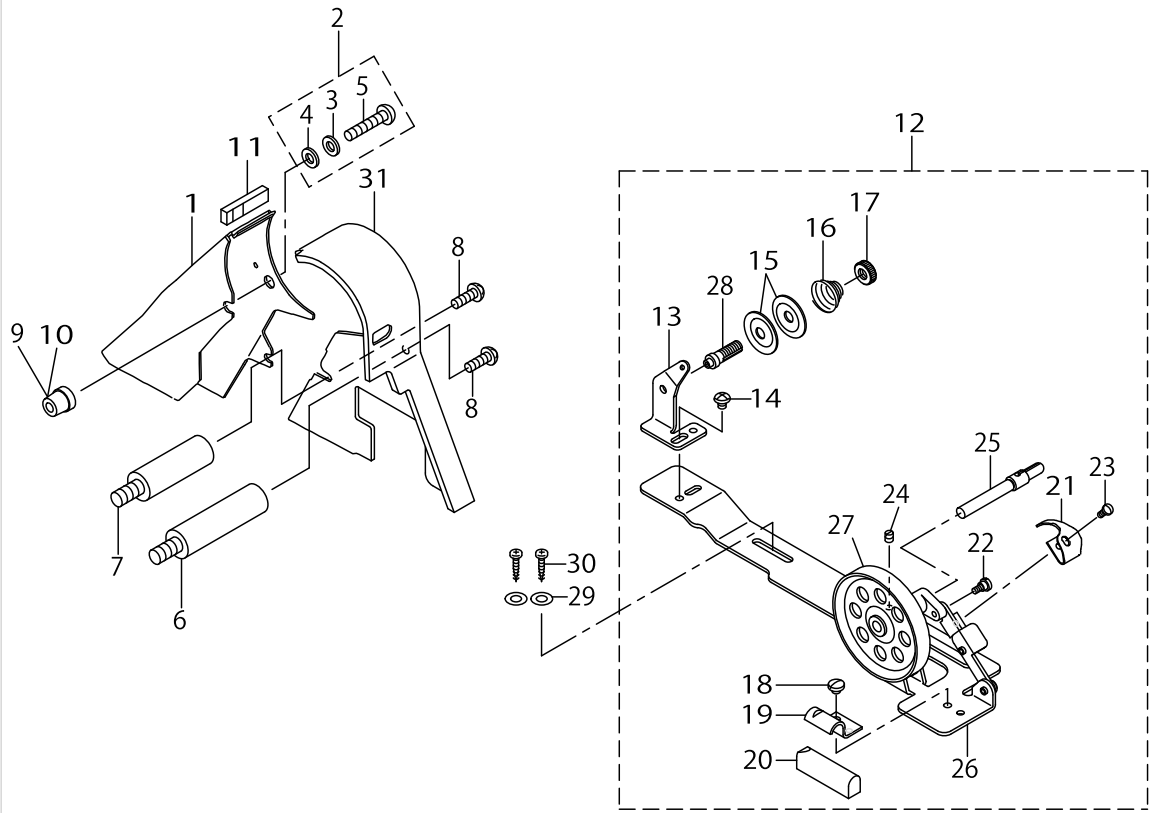
# OIL RESERVOIR COMPONENTS



OIL RESERVOIR COMPONENTS

No.	Supply Code	Parts No.	Replacement	Parts name	Remarks	Choice	Step	Level	Cons	Qty	Rep. QTY
1	R	11047057	40102085	OIL RESERVOIR ASM.						1	1.00
2	R	11023017	40102085	OIL RESERVOIR				*		1	1.00
3		11024700		GASKET				*		1	
4		11047107		RUBBER CUSHION				*		4	
5		SS6700710SH		SCREW 5/16-24 L=7				*		1	
6		RO098240100		RUBBER RING				*		1	
7		22932156		KNEE LIFTER ROTATION ARM ASM.				*		1	
8	R	22932107	22932156	KNEE LIFTER ROTATION ARM				*		1	1.00
9		NM6060001SE		NUT M6				*		2	
10		SM8063012TR		SCREW M6 L=30				*		2	
11		22932453		BRACKET ASM.				*		1	
12	R	22932404	22932453	BRACKET				*		1	1.00
13		22934707		SCREW				*		2	
14		40101720		SCREW_M6				*		1	
15		22932305		KNEE PRESS ROD				*		1	
16		22932206		SPRING				*		1	
17		RE1000000K0		E-RING 10				*		1	
18		NM6060001SE		NUT M6				*		1	
19		22934251		KNEE PRESS PLATE ASM.						1	
20		22934202		KNEE PRESS PLATE				*		1	
21		22934301		KNEE PRESS PLATE HOLDER				*		1	
22		SM9061203SE		SCREW M6 L=12				*		1	
23		22934509		KNEE PRESS PLATE COVER				*		1	
24		22934608		KNEE LIFTER PLATE ROD				*		1	
25		22934400		RUBBER				*		1	
26	R	11024304	22931703	KNEE PRESS LIFTER ROD						1	1.00
27		B8228125000		OIL RESERVOIR MAGNET						1	

BELT COVER & BOBBIN WINDER COMPONENTS

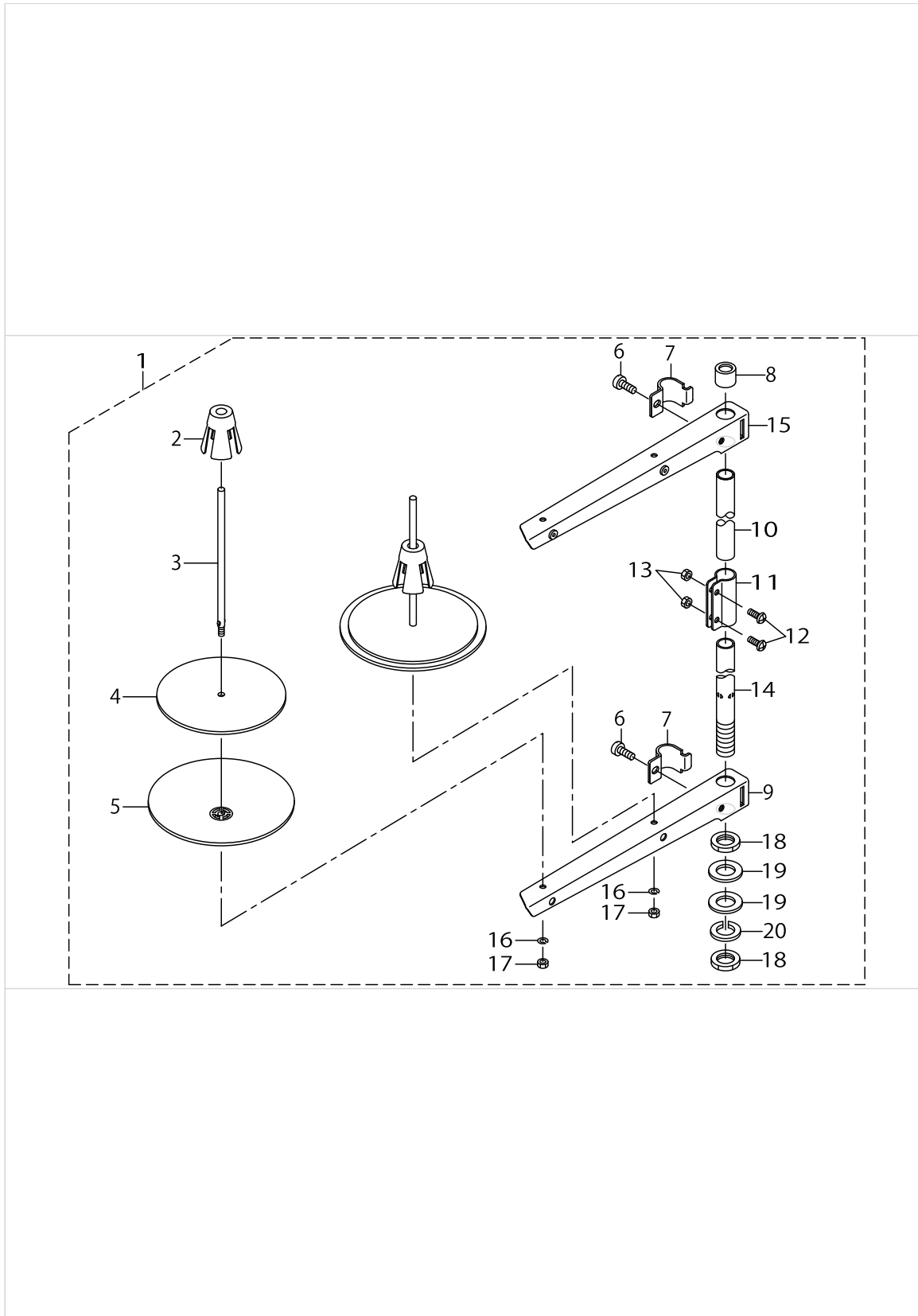


BELT COVER & BOBBIN WINDER COMPONENTS

No.	Supply Code	Parts No.	Replacement	Parts name	Remarks	Choice	Step	Level	Cons	Qty	Rep. QTY
1	R	11258308	11258357	BELT COVER A						1	1.00
2		11047354		BELT COVER SET SCREW ASM.						1	
3		WP0820526SD		WASHER 8.2X14X0.5				*		1	
4		11047305		BELT COVER RUBBER CUSHION				*		1	
5		SS4701415SD		SCREW				*		1	
6	R	11023504	22933907	BELT COVER SUPPORT A						1	1.00
7		11391604		BELT COVER SUPPORT B						1	
8		SS7120640SP		SCREW 3/16-28 L=6						2	
9		11047255		BELT COVER COLLAR ASM.						1	
10		11023603		BELT COVER COLLAR	FOR DLD-5430N					1	
11		11222908		COVER FELT						1	
12		22927354		BOBBIN WINDER COMPL.						1	
13	R	22928501	11078250	THREAD TENSION POST BASE				*		1	1.00
14		SS4110515SP		SCREW 11/64-40 L=5				*		1	
15	R	22928907	22921506	THREAD TENSION DISK				*		2	1.00
16		22929004		THREAD TENSION SPRING				*		1	
17		22928808		NUT				*		1	
18		SS7110350SP		SCREW 11/64-40 L=3.5				*		1	
19	D	22928402		CONTROL RUBBER HOLDING PLATE				*		1	
20		22928303		CONTROL RUBBER				*		1	
21		22928105		BOBBIN PRESSER				*		1	
22		SD0490261SP		HINGE SCREW D=4.9 H=2.6				*		1	
23		SS7081310SP		SCREW 1/8-44 L=12.5				*		1	
24	R	SS8110510SP	SS8110520TP	SCREW 11/64-40 L=5				*		1	1.00
25		22927602		BOBBIN WINDER SPINDLE				*		1	
26	R	22927305	22927354	BOBBIN WINDER BASE				*		1	1.00
27		22927404		BOBBIN WINDER				*		1	
28	R	22928709	11078250	THREAD TENSION POST				*		1	1.00
29		WP0450826SC		WASHER 4.5X10X0.8						2	
30	R	SK3412000SC	SK3412000SE	WOOD SCREW D=4.1 L=20						2	1.00
31		11397205		BELT COVER B						1	



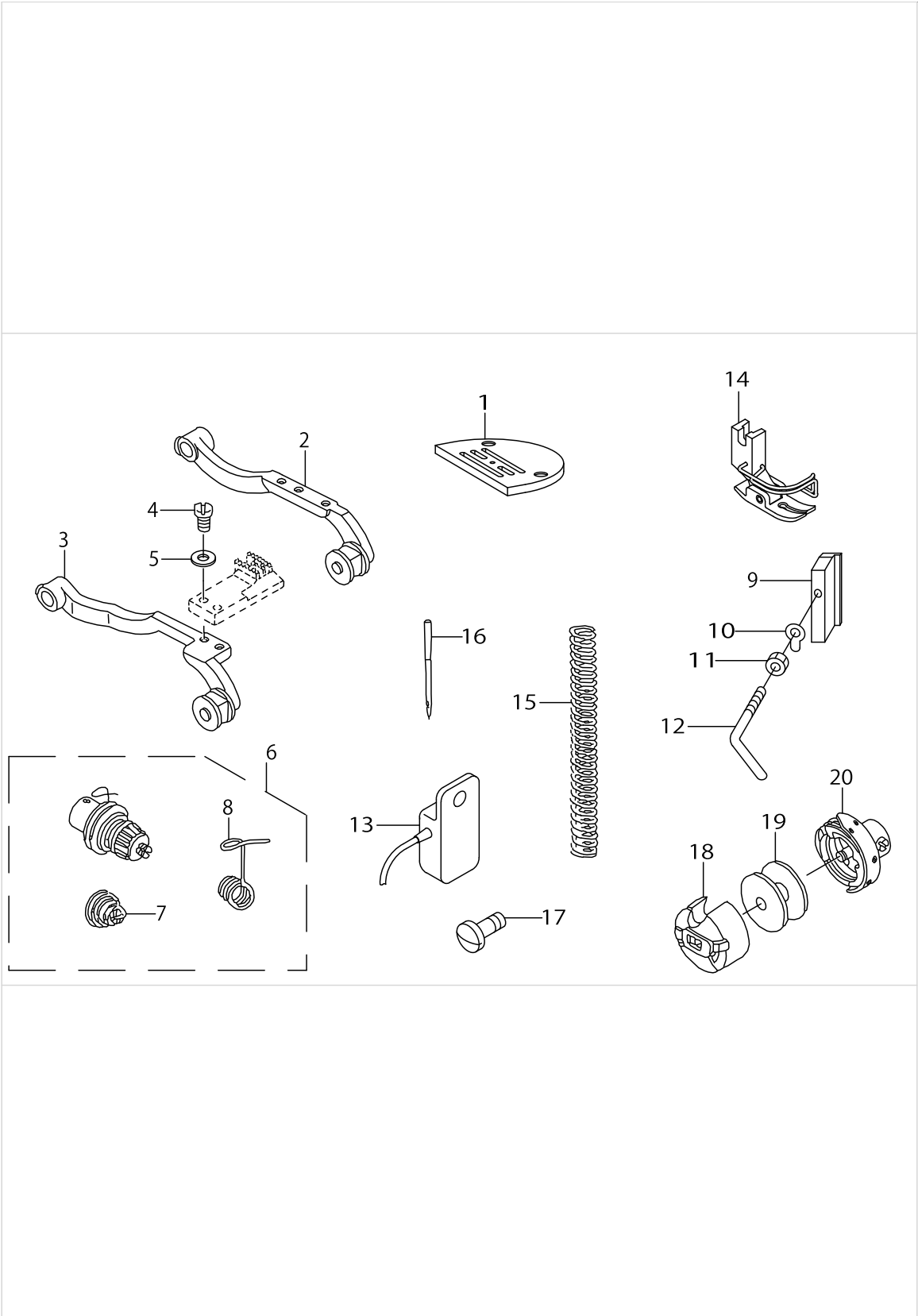
# THREAD STAND COMPONENTS



THREAD STAND COMPONENTS

No.	Supply Code	Parts No.	Replacement	Parts name	Remarks	Choice	Step	Level	Cons	Qty	Rep. QTY
1	R	22930358	40096354	THREAD STAND ASM.						1	1.00
2	R	22931109	40085791	SPOOL RETAINER				*		2	1.00
3	R	22931000	40085790	SPOOL PIN				*		2	1.00
4		22930903		SPOOL REST CUSHION				*		2	
5		22930804		SPOOL REST				*		2	
6		SM6061610SC		SCREW M6 L=16				*		2	
7	R	22930705	40096354	THREAD GUIDE ARM JOINT				*		2	1.00
8		22931406		SPOOL REST ROD RUBBER CAP				*		1	
9	R	22930507	40096354	SPOOL REST ARM				*		1	1.00
10	R	22930408	40096354	SPOOL REST ROD UPPER				*		1	1.00
11	R	22931307	40096354	SPOOL REST ROD JOINT				*		1	1.00
12		SM4051405SE		SCREW M5 L=14				*		2	
13		NM6050001SE		NUT M5				*		2	
14	R	22930309	40096354	SPOOL REST ROD LOWER				*		1	1.00
15	R	22930556	40096354	THREAD STANDING ARM ASM.				*		1	1.00
16		WS0510002KN		SPRING WASHER				*		2	
17		NM6050001SE		NUT M5				*		2	
18		NM6160511SE		NUT M16X1.5				*		2	
19		WP1612616SE		WASHER 16X30X2.6				*		2	
20	R	WS1643202KR	WP1612616SE	SPRING WASHER		A		*		1	2.00
20	R	WS1643202KR	40085796	SPRING WASHER		A		*		1	2.00

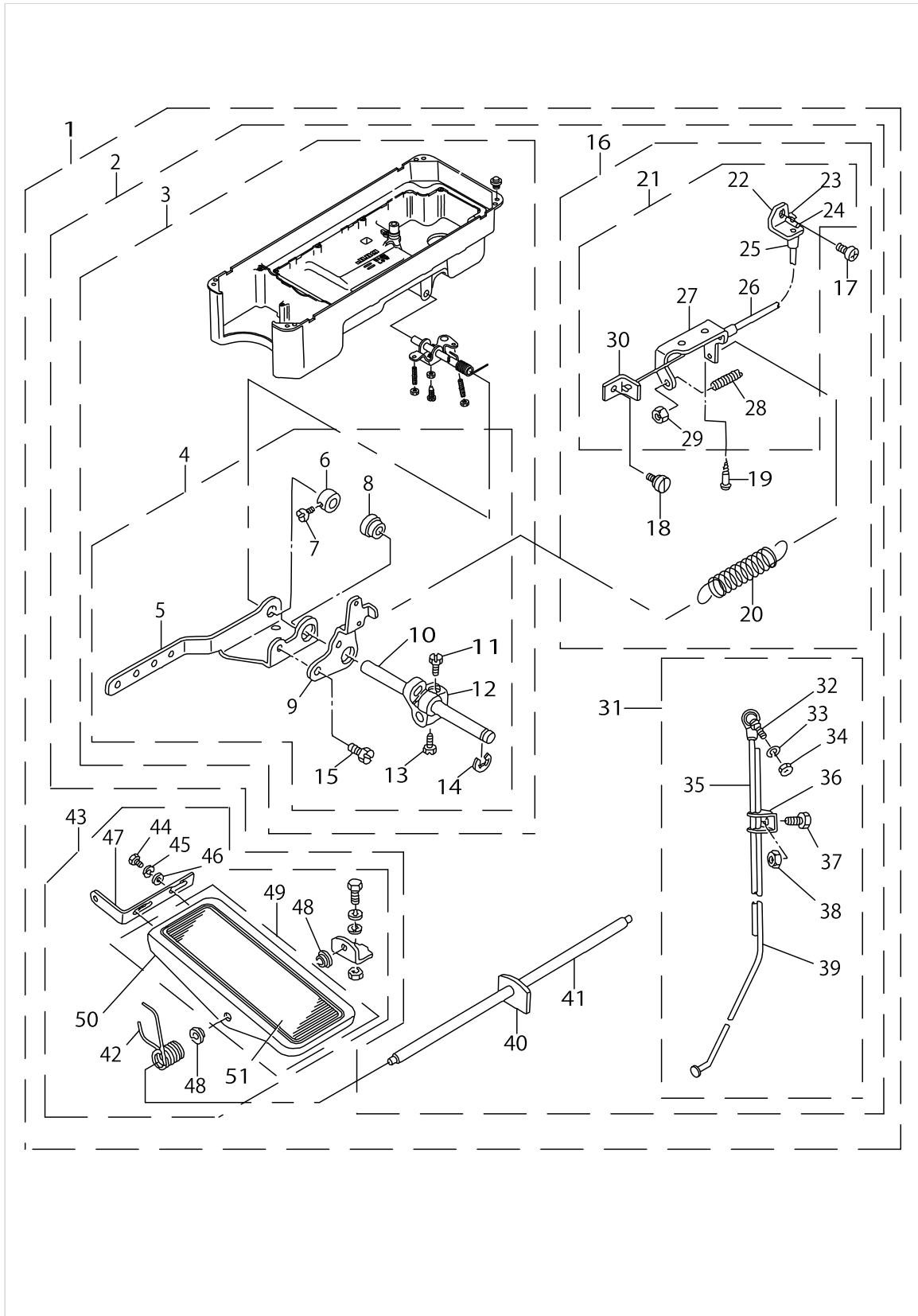
EXCLUSIVE PARTS FOR DLD-5430NE-7



EXCLUSIVE PARTS FOR DLD-5430NE-7

No.	Supply Code	Parts No.	Replacement	Parts name	Remarks	Choice	Step	Level	Cons	Qty	Rep. QTY
1		11380201		THROAT PLATE						1	
2	D	11393154		MAINFEEDBASEASM.						1	
3	D	11393451		SUB-FEED BASE ASM.						1	
4		SS7060510SP		SCREW 3/32-56 L=4.8						1	
5		WP0280500SC		WASHER						1	
6		40011503		THREAD TENSION ASM.						1	
7	R	40054785	D3129555D00	THREAD TENSION SPRING				*		1	1.00
8		40054784		THREAD TAKE-UP SPRING				*		1	
9		11403805		THREAD GUIDE C FITTING PLATE						1	
10		11404209		SPACER						1	
11		11404308		NUT						1	
12		22972608		ARMTHREADGUIDE C						1	
13		M6005350AAS		RESISTOR PACK AS ASM.						1	
14		D1524555DBA		PRESSER FOOT ASM.						1	
15		B1505227T00A		PRESSER SPRING T						1	
16		MDB1SFB0900		NEEDLE DBX1SF #9						1	
17		11079506		FRONT SCREW						1	
18		B18370120A0		BOBBIN CASE ASM.						1	
19		22964001		BOBBIN A						1	
20		11079456		OIL HOOK ASM.						1	

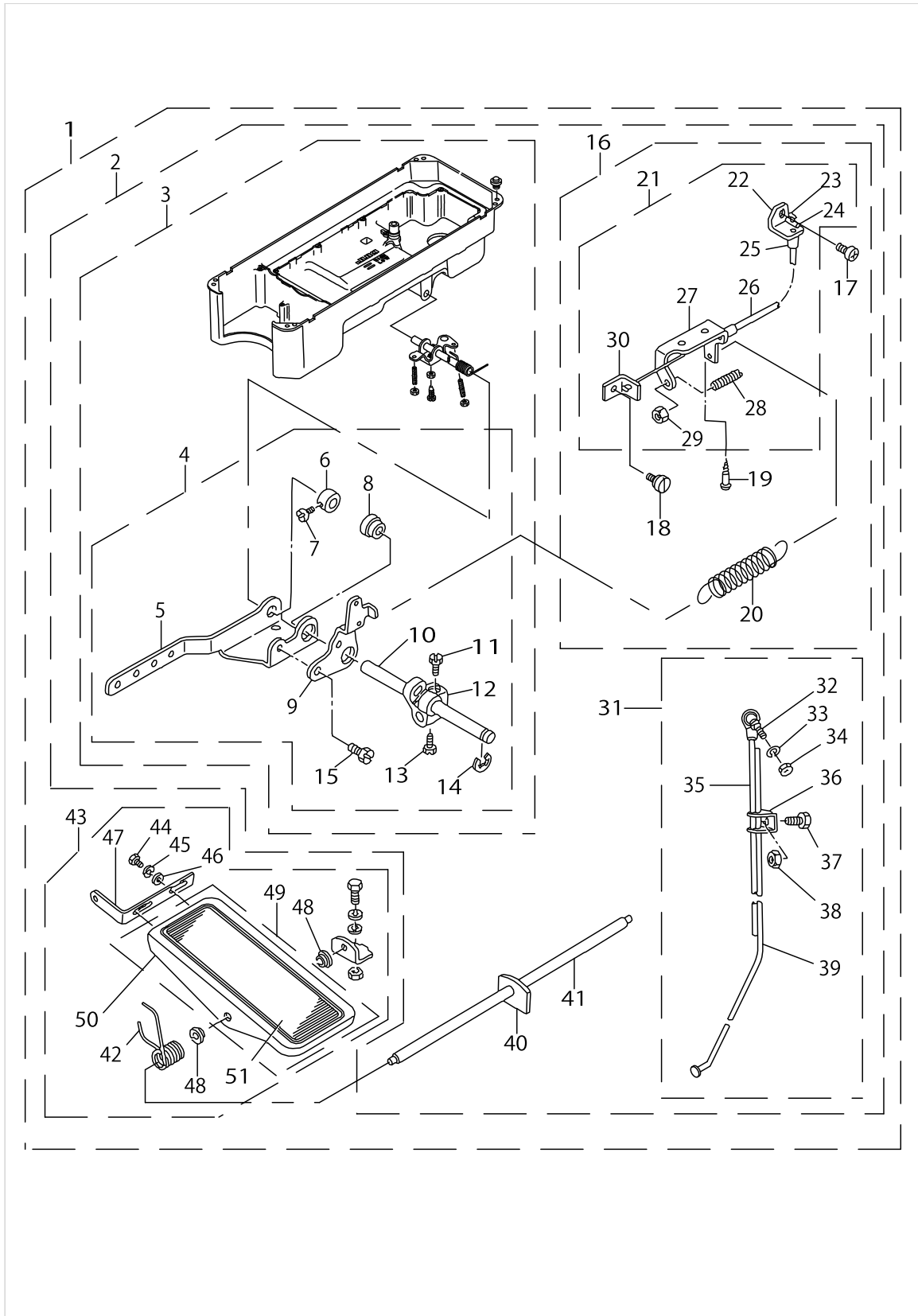
PF-7:PEDAL/KNEE PRESSER-CONTROLLED GATHERING MECHANISM (SPECIAL ORDER PARTS)



PF-7:PEDAL/KNEE PRESSER-CONTROLLED GATHERING MECHANISM (SPECIAL ORDER PARTS)

No.	Supply Code	Parts No.	Replacement	Parts name	Remarks	Choice	Step	Level	Cons	Qty	Rep. QTY
1		GPF070200BA		PF-7:MECHANISH ASM. B						1	
2		GPF070200A0		PF-7:MECHANISM ASM. A				*		1	
3		11245156		OIL RESERVOIR ASM.				*		1	
4		GPF070500A0		GATHERING MECHANISM ASM.				*		1	
5		11245305		PEDAL CONNECTING ARM				*		1	
6		CS1111019SH		THRUST COLLAR D=11.11 W=10				*		1	
7		SS8660530TP		SCREW 1/4-40 L= 4.5				*		1	
8	D	GPF01015000		CONNECTING ROD LOWER				*		1	
9		11245404		DRIVING ARM				*		1	
10		11245206		KNEE PRESSER LIFTING SHAFT				*		1	
11		SS9151540SR		SCREW15/64-28L=15				*		1	
12		22983902		BRACKET				*		1	
13		SS9151160CP		SCREW 15/64-28 L=10.5				*		1	
14		RE1000000K0		E-RING 10				*		1	
15		SS9661120CP		SCREW 1/4-40L=10.5				*		1	
16	R	GPF070300B0	GPF070300A0	WIRE ASM.				*		1	1.00
17		SS4120915SP		SCREW 3/16-28 L=9				*		1	
18		SD0640241SP		HINGE SCREW D= 6.35 H= 2.4				*		1	
19	R	SK3482500SC	SK3482501SE	WOOD SCREW D=4.8 L=25				*		2	1.00
20		B3417552000		LIFTING LEVER LINK SPRING				*		1	
21		GPF070300A0		WIRE ASM.				*		1	
22		GPF07031000		WIRE TUBE SUPPORT PLATE				*		1	
23		GPF01005000		WIRE STOPPER				*		2	
24	D	GPF01004000		WIRE ROLL PIN				*		1	
25	R	GPF01003000	GPF010010B0	WIRE TUBE GUIDE				*		2	1.00
26		GPF01002000		WIRE TUBE				*		1	
27	D	11245602		STOPPER				*		1	
28		SS8153010SR		SCREW15/64-28L=30				*		1	
29		NS6150430SP		NUT 15/64-28				*		1	
30	R	GPF01008000	GPF010010A0A	WIRE SUPPORTER				*		1	1.00
31	R	GPF010150C0	GPF010150B0	CONNECTING ROD ASM.				*		1	1.00
32	R	D7117555BA0	22958557	JOINT BAR A ASM.				*		1	1.00
33		WS0641560KR		SPRING WASHER 6.4X11.9X1.5				*		1	
34		NM6060001SE		NUT M6				*		1	
35		D7115555B0B		CONNECTINGROD(B)				*		1	
36		B7114012000		MOTOR CONNECTING ROD				*		1	
37		SM9081423SE		SCREW M8 L=14				*		1	
38		NM6080721SE		NUT M8				*		1	
39	D	GPF01015000		CONNECTING ROD LOWER				*		1	
40		GPF06017000		PEDAL SHAFT BRACKET				*		1	
41		GPF01016000		PEDAL SHAFT				*		1	
42		11245800		SPRIG				*		1	
43		GPF060600B0		PEDAL ASM.				*		1	
44		SM9061203SE		SCREW M6 L=12				*		2	
45		WS0621210KR		SPRING WASHER 6.2X11.4X1.2				*		2	
46		WP0671016SE		WASHER 6.7X13X1				*		2	

PF-7:PEDAL/KNEE PRESSER-CONTROLLED GATHERING MECHANISM (SPECIAL ORDER PARTS)



PF-7:PEDAL/KNEE PRESSER-CONTROLLED GATHERING MECHANISM (SPECIAL ORDER PARTS)

No.	Supply Code	Parts No.	Replacement	Parts name	Remarks	Choice	Step	Level	Cons	Qty	Rep. QTY
47		GPF06080000		PEDAL ADJUSTING PLATE				*		1	
48		D8113555B00		PEDAL BUSHING				*		2	
49		GPF060600A0		PEDAL ASM.				*		1	
50	R	GPF06060000	GPF060600A0	PEDAL				*		1	1.00
51		GPF06070000		PEDAL MAT				*		1	



LIST FOR INFORMATION OF CHANGE

As to the place changed, refer to the corresponding Rev.No.  
 When previous parts(Obsoleted part)and new parts(Added parts)are  
 not interchangeable with each other:  
 In this case,even obsoleted parts(D.)can be ordered with the  
 obsoleted part number,so select the parts with changed dates and  
 place your orders.

変更箇所は、該当Rev.No.版をご参照ください。  
 部品の互換性がない変更の場合は、削除された品番でも、ご注文できます。

29133907  
 No.0876-3・・・Rev.No.

\*A:Added parts追加部品/D:Obsoleted parts削除部品/E:Erratum訂正

* Rev. No.	Page 頁	Ref. No.	Parts No. 品番	* Rev. No.	Page 頁	Ref. No.	Parts No. 品番	
				A	13	2	69	401-16677
D	12	4	4	A	13	4	4	229-18072
D	12	4	5	A	13	4	5	229-18064
D	12	4	6	A	13	4	6	B1905-541-B00
				A	13	4	7	229-18403
				A	13	4	8	229-18502
				A	13	4	9	229-18601
D	12	4	7	A	13	4	10	229-18700
D	12	4	8	A	13	4	11	110-05204
D	12	4	9	A	13	4	12	B1408-552-000
D	12	4	10	A	13	4	13	B1903-552-000
D	12	4	16	A	13	4	38	229-03157
D	12	8	23	A	13	8	23	110-02508
D	12	12	24					110-18207
D	12	12	40					SS-6090810-TP
				A	13	14	19	SS-6090810-TP
D	12	16	6	A	13	16	6	113-87958
D	12	16	11					110-40300
D	12	16	49	A	13	16	49	D2404-555-B00
D	12	16	53					229-51164
D	12	16	54					110-43908
D	12	16	55					229-51404
D	12	16	56					WP-0450000-SD
D	12	16	57					NM-6040000-SN
D	12	16	58					110-43304
D	12	16	59					NS-6660410-SH
D	12	16	61					NS-6660430-SP
D	12	18	15	A	13	18	15	HK-0346400-0B
D	12	18	17	A	13	18	17	111-10301
D	12	18	18					HA-0060000-00
D	12	18	19					HW-2003900-00
D	12	18	23					HW-5000700-00
D	12	22	14	A	13	22	14	HK-0346400-0B
D	12	26	12	A	13	26	12	SM-9062563-TR
								401-01720
								229-72608

## HOW TO MAKE USE OF THIS PARTS LIST

### 1.Explanation of codes

1)"\*"mark.....means this part is changed from the previous parts book.

As to the details of the change, refer to the "List for information of change".

2)"#01".....refer to "Note" explanation at bottom of page.

### 2.Codes on the "Qty" column

• Each numeral indicates the number of parts required.

• "0.1" and "2.5" indicate the length (in meters) of the respective parts.

3.Parentheses mean that the corresponding part is a subpart that constructs an assembly part.

4.Dotted lines on the Figures indicate assembly parts.

### 1."注記"欄の記号説明

1) "\*"印.....前回のパーツブックに比較して今回変更された部品を意味します。

変更内容は、"変更情報リスト"を参照してください。

2) "#01".....ページ下の"注記"の説明を参照してください。

2.数量欄の数字は、個数を表し、0.1、2.5等の数値は、長さ（単位メートル）を表します。

3.数量欄の（ ）は、組部品を構成している子部品であることを意味します。

4.イラストページの-----枠は、組構成であることを意味します。

# NUMERICAL INDEX OF PARTS

PART NO	PAGE	REF NO.	PART NO	PAGE	REF NO.	PART NO	PAGE	REF NO.
11000304	2	2	11111051	32	23	11385903	22	40
11002409	6	40	11141108	8	34·46·49	11386000	22	41
11002904	6	32	11141355	8	3·43	11387206	22	31
11003308	2	11	11212503	22	8	11387461	22	24
11004207	8	26	11212701	22	4	11387800	22	22
11009800	16	8	11222908	38	11	11387909	22	20
11015906	8	39	11245156	44	3	11387958	22	19
11017357	6	2	11245206	44	10	11388006	24	49
11023017	36	2	11245305	44	5	11388105	22	32
11023504	38	6	11245404	44	9	11388253	22	37
11023603	38	10	11245602	44	27	11388501	22	11
11024304	36	26	11245800	44	42	11388600	22	13
11024700	36	3	11258308	38	1	11388808	22	14
11030202	2	34	11302700	22	39	11388907	22	16
11035003	10	34·46·49	11313103	26	7	11389004	22	15
11038650	10	47	11380201	42	1	11389103	22	9
11038759	8	42·45	11380508	4	44	11389251	22	7
11038809	8	32·44	11381050	16	1·38	11389301	22	3
11040052	26	5	11381100	16	20	11389400	22	1
11040359	26	1	11381209	16	25	11390754	18	3
11040409	26	4	11381308	16	26	11390903	18	17
11040508	26	3	11381407	20	44	11391604	38	7
11040854	26	45	11381506	20	43	11392057	34	12
11040953	26	44	11382553	16	39	11393055	16	1·38
11041852	26	30	11382603	16	18	11393154	42	2
11042264	26	23	11382702	16	19	11393352	16	2
11042504	26	14	11382801	16	27	11393451	42	3
11042553	26	13	11382900	22	42	11393600	18	32
11042850	26	19	11383007	22	43	11393758	18	31
11047057	36	1	11383106	20	49	11393857	18	1·38
11047107	36	4	11383205	16	28	11394657	12	21
11047255	38	9	11384054	18	11	11394707	12	24
11047305	38	4	11384211	18	13	11395001	30	14
11047354	38	2	11384302	18	21	11395100	30	17
11070851	2	1	11384401	18	40	11395258	30	16
11071362	6	36	11384500	18	20	11395506	30	19
11071453	6	28	11384658	18	41	11395951	30	23
11071495	6	24	11384807	20	48	11397007	16	14
11075058	30	1	11384906	20	50	11397155	22	30
11079456	42	20	11385028	16	10	11397205	38	31
11079506	42	17	11385127	16	9	11403805	42	9
11100104	2	35	11385309	18	25	11404209	42	10
11100500	24	47	11385408	18	27	11404308	42	11
11102308	30	12	11385556	18	23	11415205	4	25·67
11110152	32	20	11385804	18	33	22900401	2	10

# NUMERICAL INDEX OF PARTS

PART NO	PAGE	REF NO.	PART NO	PAGE	REF NO.	PART NO	PAGE	REF NO.
22900609	2	25·67	22912901	18	1·38	22923809	34	18
22900757	2	4	22913008	16	32	22923908	34	22
22901003	4	52	22913008	18	5	22924005	34	25
22901409	8	1	22915003	18	10	22924153	34	6
22901805	2	14	22916001	8	31	22924302	34	7
22903009	6	23	22916100	8	35	22924401	34	3
22903108	6	15	22916308	8	27	22924500	34	11
22903207	6	19	22916407	8	32·44	22924609	34	27
22903306	6	21	22916506	8	40	22924708	34	30
22903900	6	34	22916555	8	38	22924807	34	28
22904155	6	39	22917058	8	36	22924906	34	10
22904155	16	23	22917157	8	29	22925002	34	9
22904155	18	7	22918064	6	5	22925101	34	5
22905004	8	23	22918072	6	4	22927305	38	26
22905103	8	25	22918106	6	10	22927354	38	12
22906002	10	34·46·49	22918304	6	12	22927404	38	27
22906101	8	2	22918403	6	6~9	22927602	38	25
22906200	8	8	22918502	6	6~9	22928105	38	21
22906309	8	10	22918601	6	6~9	22928303	38	20
22906457	8	4	22918700	6	6~9	22928402	38	19
22906606	6	11	22919203	6	3	22928501	38	13
22907208	12	35	22920003	12	28	22928709	38	28
22907307	12	37	22920102	12	30	22928808	38	17
22907406	12	34	22920201	12	23	22928907	38	15
22907505	12	33	22920300	12	27	22929004	38	16
22907554	12	31	22920409	12	25	22930309	40	14
22907604	12	32	22920508	2	27	22930358	40	1
22907703	14	46	22920706	4	56	22930408	40	10
22907802	12	1	22920805	8	7	22930507	40	9
22908008	12	8	22920904	2	40	22930556	40	15
22908156	12	6	22921001	2	28	22930705	40	7
22908305	12	10	22921209	4	63	22930804	40	5
22908354	12	5	22921308	4	58	22930903	40	4
22908552	12	4	22921407	4	59	22931000	40	3
22908701	12	11	22921506	4	62	22931109	40	2
22908800	12	15	22921605	4	64	22931307	40	11
22908909	12	12	22921704	4	60	22931406	40	8
22909006	12	14	22921803	4	61	22932107	36	8
22910103	18	14	22923015	34	14	22932156	36	7
22910806	18	35	22923205	34	17	22932206	36	16
22910905	18	37	22923312	34	13	22932305	36	15
22911507	18	28	22923403	34	19	22932404	36	12
22911804	16	11	22923502	34	21	22932453	36	11
22912000	16	13	22923601	34	20	22932503	2	30
22912109	16	12	22923700	34	15	22932552	2	29

# NUMERICAL INDEX OF PARTS

PART NO	PAGE	REF NO.	PART NO	PAGE	REF NO.	PART NO	PAGE	REF NO.
22932602	2	31	22954309	30	6	B13081550A0	8	21
22932701	2	32	22954507	30	13	B1505227T00A	42	15
22932909	8	41	22954606	30	2	B1521555000	12	2
22934202	36	20	22954705	2	9	B15244300BA	12	29
22934251	36	19	22955504	32	2	B1610430000	16	17
22934301	36	21	22955553	32	1	B1613430A00	16	5
22934400	36	25	22955900	32	13	B1613432A00A	16	6
22934509	36	23	22956007	32	14	B1636581A00	18	6
22934608	36	24	22956106	32	6	B1641490000	22	27
22934707	36	13	22956205	32	10	B1644490000	22	26
22935407	4	55	22956304	32	11	B18301270A0	8	3·43
22937965	6	31	22956403	32	7	B18370120A0	8	42·45
22942601	34	31	22956809	32	18	B18370120A0	42	18
22944508	12	18	22956908	32	9	B3417552000	44	20
22944607	12	20	22957005	32	24	B7114012000	44	36
22944706	14	43	22957104	32	16	B8228125000	36	27
22945307	4	65	22957203	32	21	CM3002000B1	2	13
22945356	4	57	22958300	2	7	CM301300001	2	12
22945414	2	19	22964001	42	19	CQ202000000	34	8
22945463	2	18	22972608	42	12	CS1111019SH	44	6
22945505	2	22	22983902	44	12	CS1470710SH	16	21
22945604	2	20	40011503	42	6	CS1470710SH	20	45
22945703	2	23	40017805	12	36	D1109436D00	2	41
22945802	2	21	40054784	42	8	D1524555DBA	42	14
22947006	34	1	40054785	42	7	D2406555D0H	26	9
22947907	26	6	40060989	12	40	D2468555B00	30	24
22948301	26	35	40090058	8	6	D7115555B0B	44	35
22948400	26	37	40101720	36	14	D7117555BA0	44	32
22949002	26	43	40105231	6	38	D8113555B00	46	48
22949101	26	40	40106606	6	13	E8760452H00	14	47
22949200	26	41	40106930	28	49	EA9500B0100	6	22
22949309	26	38	40106936	32	15	GPF01002000	44	26
22949408	26	29	40116677	4	69	GPF01003000	44	25
22949754	26	24	B1110430000	4	49	GPF01004000	44	24
22949903	28	50	B11104300A0	4	48	GPF01005000	44	23
22950000	26	26	B1111012000	4	50	GPF01008000	44	30
22950109	26	31	B1211980000	22	29	GPF01015000	44	39
22950356	26	15	B1215552000	6	20	GPF010150C0	44	31
22950703	26	25	B1242980000	22	28	GPF01016000	44	41
22950950	26	21	B13050120A0	8	14	GPF06017000	44	40
22951008	28	53	B13061550A0	8	16	GPF06060000	46	50
22951552	26	22	B13061550B0	8	13	GPF060600A0	46	49
22953509	30	29	B13061550C0	8	12	GPF060600B0	44	43
22954101	30	4	B13071550A0	8	19	GPF06070000	46	51
22954200	30	5	B13071550B0	8	18	GPF06080000	46	47

NUMERICAL INDEX OF PARTS

PART NO	PAGE	REF NO.	PART NO	PAGE	REF NO.	PART NO	PAGE	REF NO.
GPF070200A0	44	2	RE0500000K0	18	36	SS2060210SP	26	8
GPF070200BA	44	1	RE0500000K0	26	51	SS2110915SP	4	43
GPF070300A0	44	21	RE0500000K0	28	51	SS2110920TP	4	54
GPF070300B0	44	16	RE0500000K0	32	19	SS4080620TP	16	4
GPF07031000	44	22	RE0500000KP	30	22	SS4080620TP	26	10
GPF070500A0	44	4	RE0600000K0	26	34	SS4090615SP	18	15
HA001900000	30	11	RE1000000K0	36	17	SS4110515SP	12	17
HA00600000A	32	17	RE1000000K0	44	14	SS4110515SP	38	14
HK034610140	26	46	RE1200000K0	30	26	SS4110715SP	26	28
HK03464000B	30	33	RO029180100	6	35	SS4110915TP	8	33
HW500070000	30	9	RO037180100	12	3	SS4120615SP	2	26
M40071100AA	6	29	RO044240100	6	18	SS4120615SP	12	26
M40071100AB	6	30	RO069180100	22	33	SS4120615SP	22	10
M6005350AAA	2	36	RO092270200	16	16	SS4120615SP	30	32
M6005350AAF	4	68	RO098240100	36	6	SS4120615SP	34	4
M6005350AAS	42	13	RO195240100	34	2	SS4120915SP	2	47
MC200500900	8	28	SD0380552SL	2	33	SS4120915SP	4	47
MDB100B1400	8	11	SD0460703TP	26	2	SS4120915SP	8	24
MDB1SFB0900	42	16	SD0490261SP	38	22	SS4120915SP	22	45
MDP500B1400	10	48	SD0600361SP	28	54	SS4120915SP	30	31
NM6050001SE	40	17	SD0630275SP	26	18	SS4120915SP	32	27
NM6060001SE	36	18	SD0640241SP	44	18	SS4120915SP	44	17
NM6060001SE	44	34	SD0640631TP	28	48	SS4121215SP	2	37
NM6080721SE	44	38	SD0641451SP	26	17	SS4150915SP	14	42
NM6160511SE	40	18	SD0650321TP	32	4	SS4150915SP	28	47
NS6090310SP	32	5	SD0720331SP	12	13	SS4150915SP	34	29
NS6110310SP	18	26	SD0800231SP	22	23	SS4151215SP	26	11
NS6110310SP	32	12	SD0800321TH	30	21	SS4151215SP	30	30
NS6110530SP	16	34	SD1000801SH	18	19	SS4151415SP	30	27
NS6150430SP	26	33	SE4301041SR	34	16	SS4701415SD	38	5
NS6150430SP	44	29	SK3412000SC	38	30	SS6060210SP	4	51
NS6620310SP	14	44	SK3482500SC	44	19	SS6080320SP	22	12
NS6660430SP	30	15	SL4030631SC	32	3	SS6080410SP	2	3
NS6680410SP	18	16	SL4030641SE	32	22	SS6080410SP	22	44
RC0150001KP	18	2	SL4030851SF	34	23	SS6090510TP	22	34
RC0931011KP	16	31	SL4051001MZ	6	33	SS6090510TP	26	16
RC1850001KP	18	9	SM4031501SC	30	8	SS6090540SP	32	25
RE0250000K0	32	8	SM4040655SP	30	3	SS6090560TP	16	7
RE0320000K0	22	5	SM4041655SP	30	7	SS6090620TP	18	47
RE0400000K0	22	2	SM4051405SE	40	12	SS6090620TP	20	47
RE0400000K0	26	39	SM6061610SC	40	6	SS6090670TP	8	5
RE0400000K0	30	28	SM8063012TR	36	10	SS6090910SP	12	39
RE0400000KP	30	18	SM9061203SE	36	22	SS6110420TP	8	30
RE0500000K0	12	45	SM9061203SE	44	44	SS6110610TP	4	45
RE0500000K0	14	45	SM9081423SE	44	37	SS6110610TP	18	30

NUMERICAL INDEX OF PARTS

PART NO	PAGE	REF NO.	PART NO	PAGE	REF NO.
SS6110640SP	18	42	SS8660810TP	12	38
SS6110640SP	22	38	SS8681650TP	6	16
SS6110710TP	28	52	SS9151160CP	44	13
SS6111010SP	34	24	SS9151540SR	44	11
SS6111210SP	6	26	SS9661120CP	16	41
SS6121010SP	22	21	SS9661120CP	44	15
SS6121210SP	16	36	TA0850604R0	2	5
SS6121210SP	18	18	TA1250406R0	4	46
SS6121610TP	16	37	TA1250705R0	2	6
SS6121840SP	24	48	TA1750502R0	22	17
SS6121860SP	16	15	TA2000502R0	2	16
SS6660610TP	26	20	TA2101002R0	2	17
SS6661110SP	18	12	WP0280500SC	42	5
SS6661110SP	22	35	WP0450801SD	6	25
SS6661310SP	22	36	WP0450826SC	38	29
SS6700710SH	36	5	WP0482086SD	32	26
SS7060510SP	42	4	WP0501016SD	2	38
SS7080510TP	8	9	WP0501016SD	16	35
SS7081310SP	38	23	WP0551016SH	22	46
SS7090610SP	26	42	WP0621016SH	26	32
SS7091110TP	12	41	WP0671016SE	44	46
SS7110350SP	38	18	WP0702026SP	16	40
SS7111410SP	18	4	WP0820526SD	38	3
SS7120640SP	38	8	WP1602616SZ	30	25
SS7120770SH	16	29	WP1612616SE	40	19
SS7121410TP	22	25	WS0510002KN	40	16
SS7121610SP	16	30	WS0621210KR	44	45
SS7150940SP	30	20	WS0641560KR	44	33
SS7620750SP	22	18	WS1643202KR	40	20
SS7681650TP	6	14	WT0530002KS	4	53
SS8090670SP	4	66			
SS8110410TP	8	37			
SS8110410TP	16	22			
SS8110410TP	20	46			
SS8110510SP	38	24			
SS8150710TP	2	39			
SS8150710TP	18	34			
SS8151150TP	6	1			
SS8151550SP	6	37			
SS8153010SR	44	28			
SS8660530TP	44	7			
SS8660610TP	6	17			
SS8660610TP	16	24			
SS8660610TP	18	8			
SS8660810TP	8	22			