

MODEL : DLU-5494N-7

List No : 0912-07

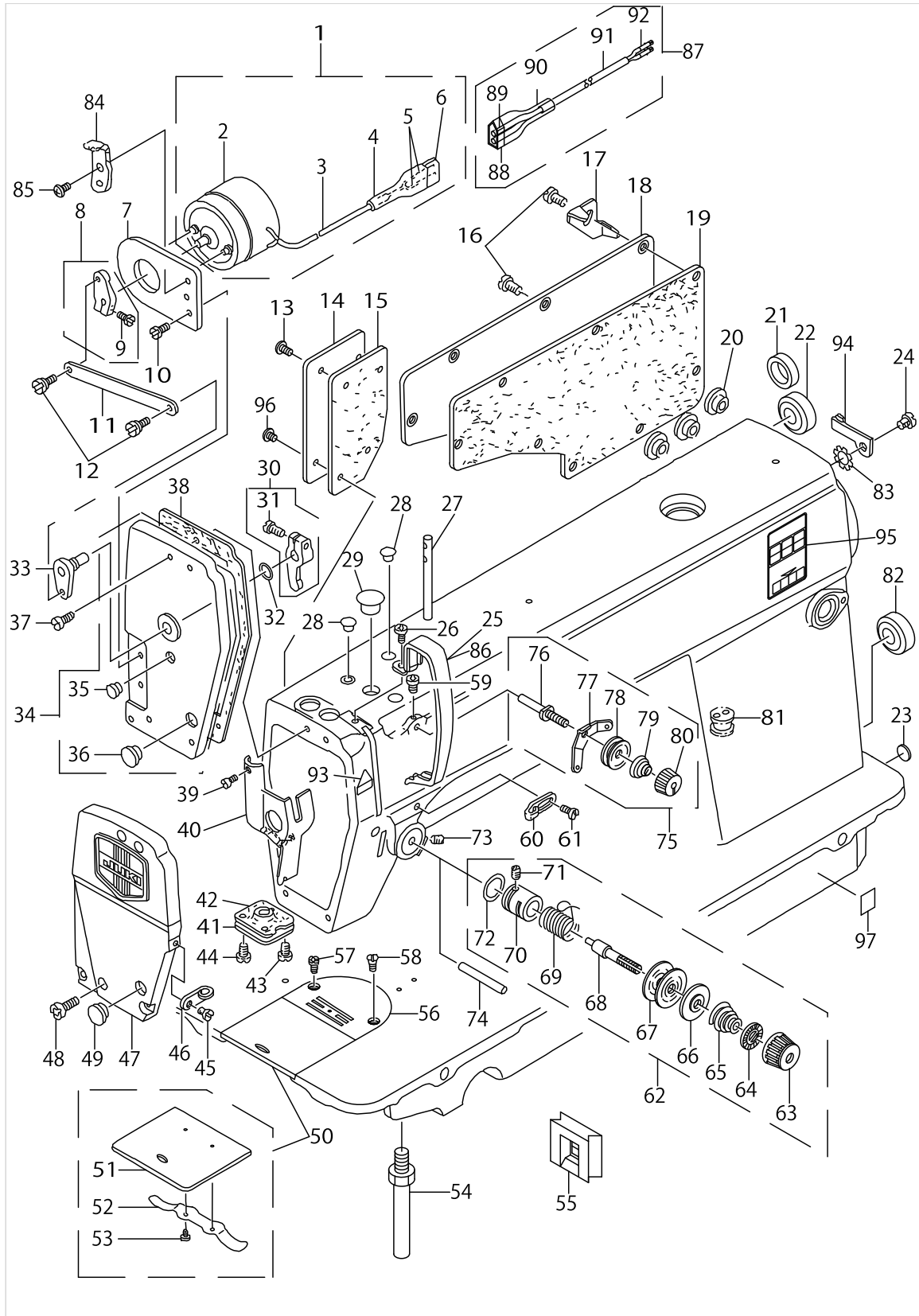
PARTS LIST

Published:05/12/2017

CONTENTS

MACHINE FRAME & MISCELLANEOUS COVER COMPONENTS	1
MAIN SHAFT & THREAD TAKE-UP LEVER COMPONENTS	7
NEEDLE BAR, UPRIGHT SHAFT & HOOK DRIVING SHAFT COMPONENTS	9
HAND LIFTER COMPONENTS	13
FEED MECHANISM COMPONENTS.....	17
TOP FEED MECHANISM COMPONENTS.....	21
TOP FEED MECHANISM & MOTOR COMPONENTS	25
THREAD TRIMMER COMPONENTS	29
AUTOMATIC REVERSE FEED COMPONENTS.....	33
WIPER COMPONENTS.....	35
OIL LUBRICATION COMPONENTS	37
OIL RESERVOIR COMPONENTS	39
BELT COVER & BOBBIN WINDER COMPONENTS	41
THREAD STAND COMPONENTS.....	43
LIST FOR INFORMATION OF CHANGE (1).....	45
LIST FOR INFORMATION OF CHANGE (2).....	46
HOW TO MAKE USE OF THIS PARTS LIST	47

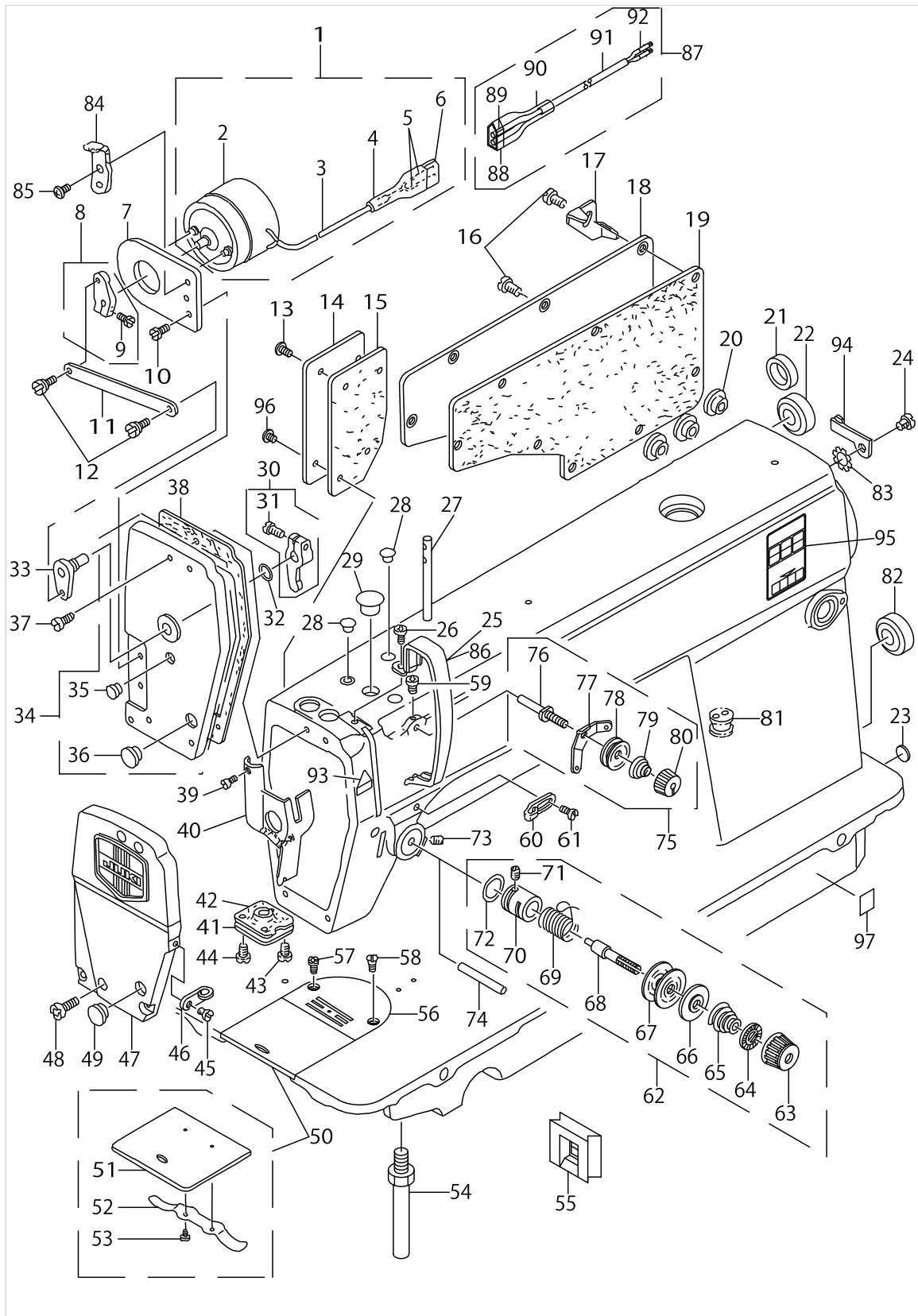
MACHINE FRAME & MISCELLANEOUS COVER COMPONENTS



MACHINE FRAME & MISCELLANEOUS COVER COMPONENTS

No.	Supply Code	Parts No.	Replacement	Parts name	Remarks	Choice	Step	Level	Cons	Qty	Rep. QTY
1		11281656		SOLENOID ASM.						1	
2		11275906		SOLENOID				*		1	
3		E8760452H00		TUBE				*		0.14	
4		MAT81126T00		2-POLE PLUG COVER				*		1	
5		HK03464000B		PIN CONTACT				*		2	
6		HK034610020		2-POLE NYLON PLUG				*		1	
7		11275807		SOLENOID BASE						1	
8		11275757		SOLENOID ARM ASM.						1	
9		SS6111040SP		SCREW 11/64-40 L=9.5				*		1	
10		SS4120615SP		SCREW 3/16-28 L=6						1	
11		11275609		SOLENOID LINK						1	
12		SD0550212TP		HINGE SCREW D=5.5 H=2.1						2	
13		SS4120915SP		SCREW 3/16-28 L=9						3	
14		11255809		SIDE COVER						1	
15		11200607		GASKET						1	
16		SS4120915SP		SCREW 3/16-28 L=9						8	
17		22954705		CORD FIXING METAL FITTING						1	
18		22900401		WINDOW PLATE						1	
19	R	11000619	40012129	GASKET						1	1.00
20		TA1470704R0		RUBBER PLUG						3	
21		TA1470702R0		RUBBER PLUG						1	
22		TA2101002R0		RUBBER PLUG						1	
23		22901805		GROUND MARK						1	
24		SS4120915SP		SCREW 3/16-28 L=9						1	
25		22900609		THREAD TAKE-UP LEVER COVER						1	
26		SS4120615SP		SCREW 3/16-28 L=6						1	
27	R	B1114012000	22958300	THREAD GUIDE PIN						1	1.00
28		TA0850604R0		RUBBER PLUG						2	
29		TA1250705R0		RUBBER PLUG						1	
30		11275351		WALKING FOOT ADJUSTING ARM						1	
31		SS6121010SP		SCREW 3/16-28 L=10				*		1	
32		RO069180100		RUBBER RING						1	
33		11275450		WALKING FOOT ARM SHAFT ASM.						1	
34		11280369		FACE PLATE BASE ASM.						1	
35		TA0750404R0		PLUG D=7.5 L=3.5				*		1	
36		TA1250406R0		RUBBER PLUG D=12.5 L=4				*		1	
37		SS4121415SP		SCREW 3/16-28 L=14						3	
38		11200201		GASKET						1	
39		SS6080410SP		SCREW 1/8-44 L=4						1	
40		22900757		FACE PLATE OIL SHIELD ASM.						1	
41		11200300		PRESSER BAR SUPPORT						1	
42		11200409		GASKET						1	
43		11200805		PRESSER BAR SUP- PORT SCREW B						1	
44		SS1120710SP		SCREW 3/16-28 L=6.5						2	
45		SS6110610TP		SCREW 11/64-40 L=6						1	
46		11331402		ARM THREAD GUIDE B						1	

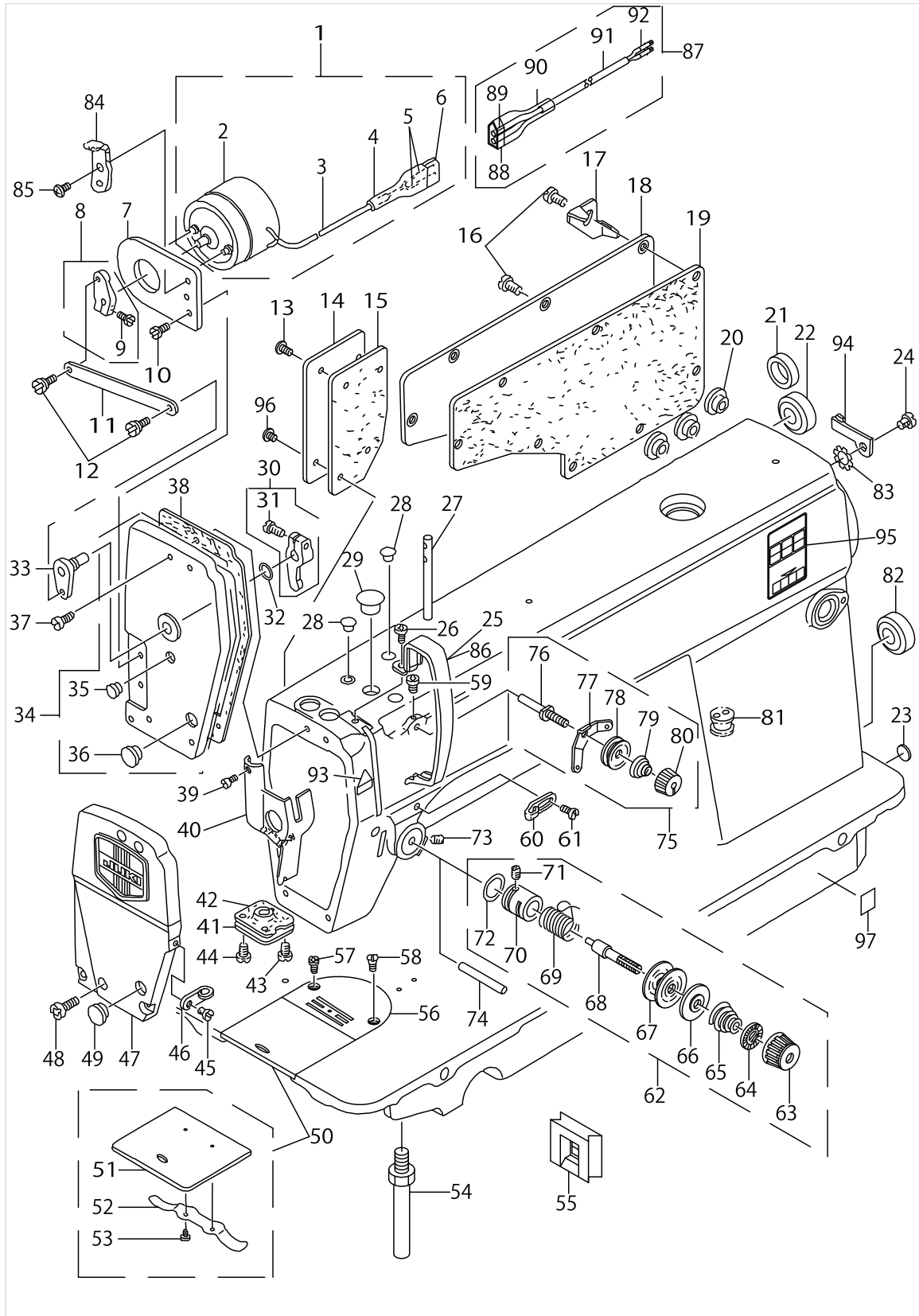
MACHINE FRAME & MISCELLANEOUS COVER COMPONENTS



MACHINE FRAME & MISCELLANEOUS COVER COMPONENTS

No.	Supply Code	Parts No.	Replacement	Parts name	Remarks	Choice	Step	Level	Cons	Qty	Rep. QTY
47		11280252		FACE PLATE ASM.						1	
48		SS4120915SP		SCREW 3/16-28 L=9						2	
49		TA1250406R0		RUBBER PLUG D=12.5 L=4						1	
50		22901250		SLIDE PLATE ASM.						1	
51		B1110012000		SLIDE PLATE				*		1	
52		11001609		BED SLIDE SPRING				*		1	
53		SS6060210SP		SCREW 3/32-56 L=1.9				*		2	
54		22901003		BED SCREW STUD						4	
55		22935407		BED OIL SHIELD RUBBER						1	
56		B1109450B0B		THROAT PLATE B						1	
57		B1191490000		SCREW	EXCHANGE PARTS					1	
58		SS2110915SP		SCREW 11/64-40 L=8.5						2	
59		SS4120615SP		SCREW 3/16-28 L=6						1	
60		22920508		ARM THREAD GUIDE A						1	
61		22921001		SCREW						1	
62		11257359		THREAD TENSION ASM.						1	
63		22921308		THREAD TENSION NUT				*		1	
64		22921407		ROTATION STOPPER				*		1	
65		22921704		THREAD TENSION SPRING A				*		1	
66		22921803		DISK STOPPER				*		1	
67		22921506		THREAD TENSION DISK				*		2	
68		22921209		THREAD TENSION POST				*		1	
69		22921605		THREAD TAKE-UP SPRING				*		1	
70		11220209		TENSION POST SOCKET				*		1	
71		SS8090410SP		SCREW 9/64-40 L=3.5				*		1	
72		RO133170100		RUBBER RING				*		1	
73	R	SS8150710SP	SS8150710TP	SCREW 15/64-28 L=7						1	1.00
74		B3118552C00		TENSION RELEASE PIN C						1	
75		22945463		THREAD TENSION ASM. NO.1						1	
76		22945414		THREAD TENSION POST				*		1	
77	R	22945604	22963458	THREAD TENSION GUIDE		A		*		1	1.00
77	R	22945604	22945463	THREAD TENSION GUIDE		B	DDL8700H-7/8700J--7/9000B, DLN6390-7 DDL8700-7 and so on	*		1	1.00
78		22945802		THREAD TENSION DISK				*		2	
79		22945505		THREAD TENSION SPRING				*		1	
80		22945703		THREAD TENSION NUT				*		1	
81		40093432		MAGNET CORD RUBBER						1	
82		TA2101002R0		RUBBER PLUG						1	
83		WT0530002KS		TOOTHED WASHER D=5.3						1	
84		11276102		SOLENOID LINK STOPPER						1	
85		SS4120915SP		SCREW 3/16-28 L=9						2	
86		11415205		THREAD TAKE-UP LEVER COVER(JE)	FOR JE					1	
87		11281755		SOLENOID CABLE ASM.						1	
88		HK034620020		2P PLUG				*		1	
89		HK034630000		TERMINAL				*		2	

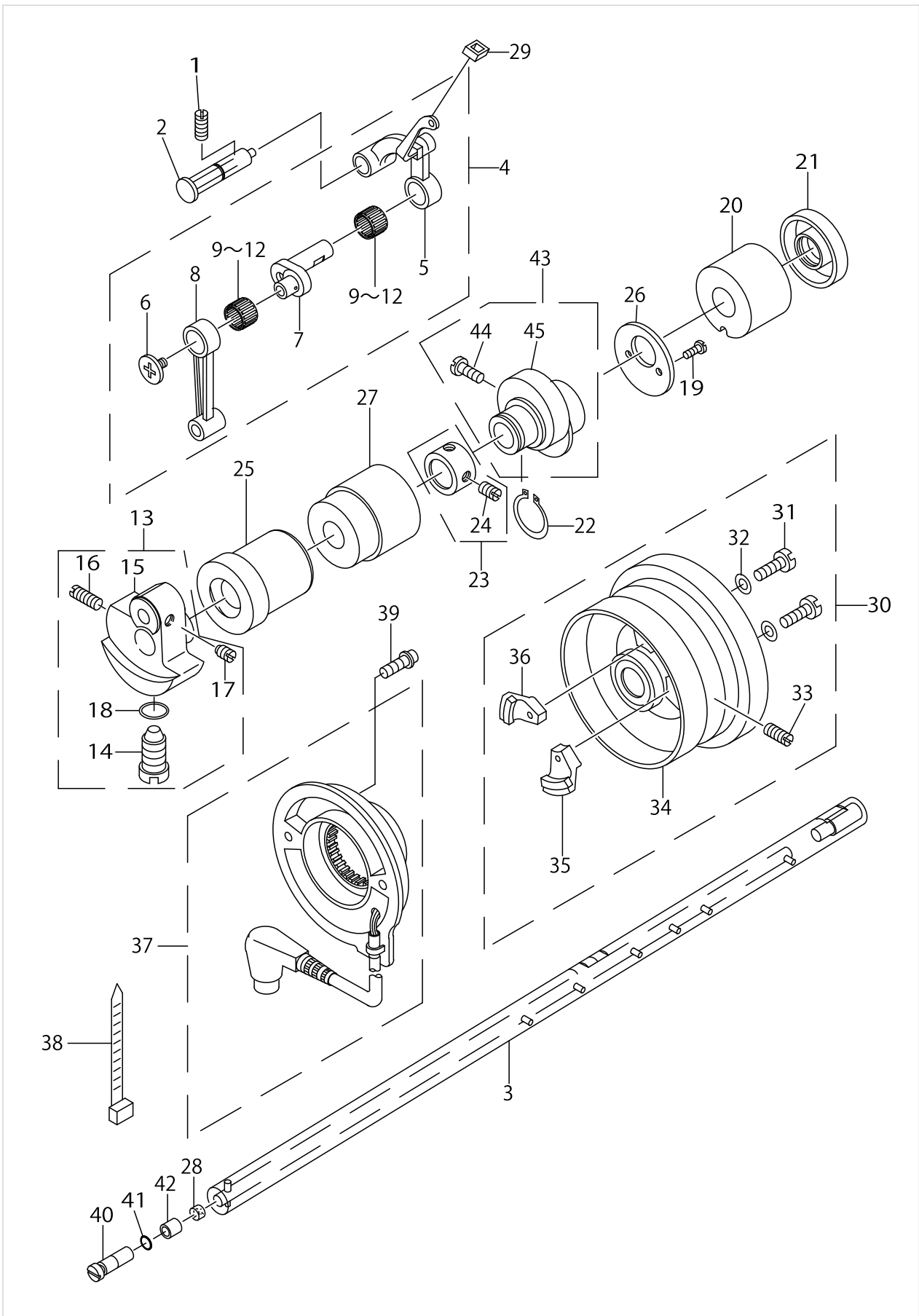
MACHINE FRAME & MISCELLANEOUS COVER COMPONENTS



MACHINE FRAME & MISCELLANEOUS COVER COMPONENTS

No.	Supply Code	Parts No.	Replacement	Parts name	Remarks	Choice	Step	Level	Cons	Qty	Rep. QTY
90		MAT81126T00		2-POLE PLUG COVER				*		1	
91		HW500070000		2-CORE CABTYRE CORD				*		1.23	
92		HK03464000B		PIN CONTACT				*		2	
93		CM300200001		ATTENTION SEAL						1	
94		11030301		CABLE HOLDER						1	
95		CM301300001		SAFETY LABEL						1	
96		SS4120615SP		SCREW 3/16-28 L=6						1	
97		40116677		GOST_SAFTY_LABEL_S	FOR JE					1	

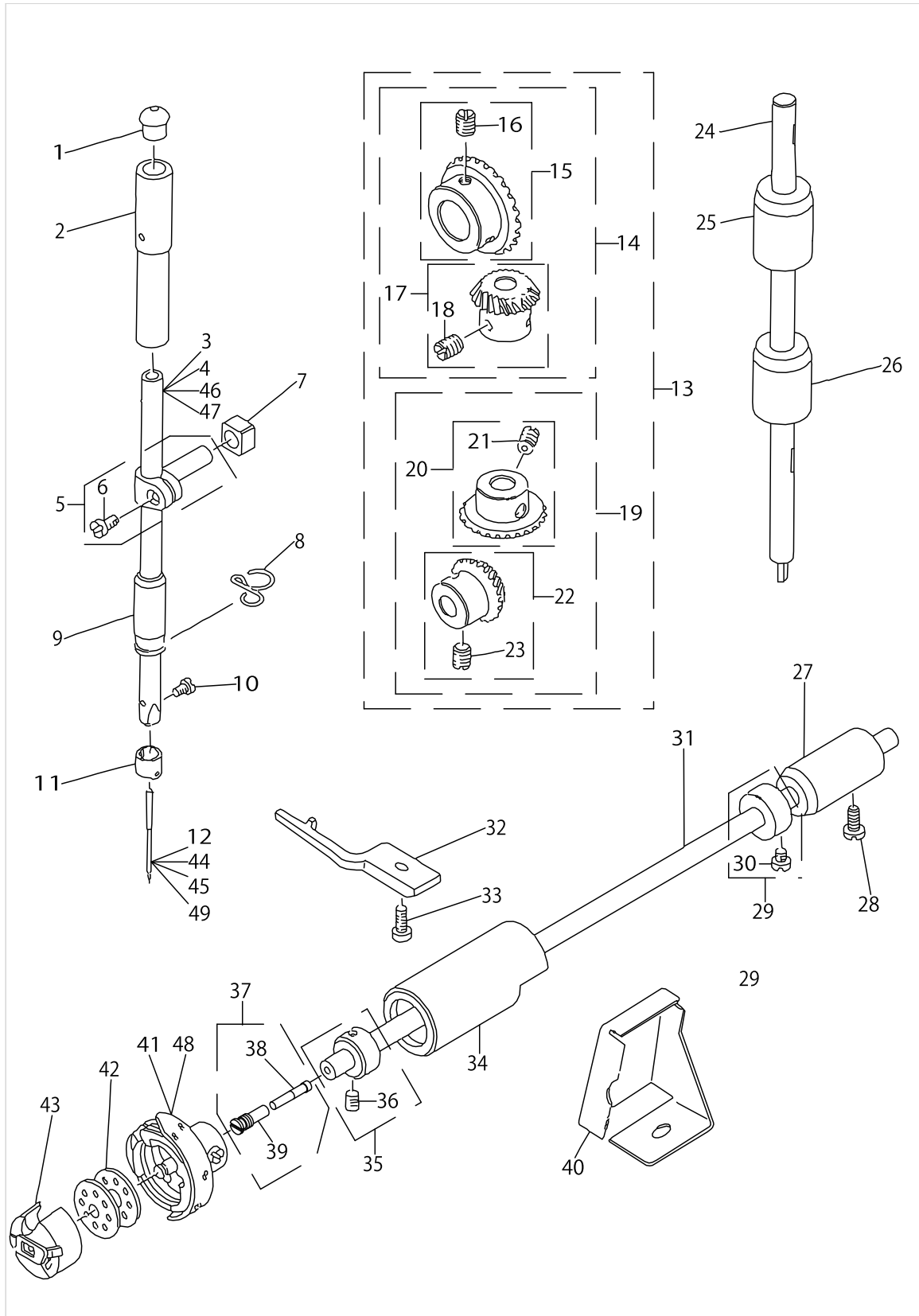
MAIN SHAFT & THREAD TAKE-UP LEVER COMPONENTS



MAIN SHAFT & THREAD TAKE-UP LEVER COMPONENTS

No.	Supply Code	Parts No.	Replacement	Parts name	Remarks	Choice	Step	Level	Cons	Qty	Rep. QTY
1	R	SS8151150SP	SS8151150TP	SCREW 15/64-28 L=10.5						1	1.00
2		11017357		THREAD TAKE-UP CRANK SHAFT ASM.						1	
3		11202009		MAIN SHAFT						1	
4		22918072		THREAD TAKE-UP LEVER COMPL.						1	
5	R	22918064	22918072	THREAD TAKE-UP LEVER ASM.				*		1	1.00
6	R	22918304	B1903552000	LEFT SCREW				*		1	1.00
7		22918106		NEEDLE BAR CRANK				*		1	
8		22906606		NEEDLE BAR CRANK ROD				*		1	
9		22918403		NEEDLE BEARING A	SELECTIVE PART			*		2	
10		22918502		NEEDLE BEARING B	SELECTIVE PART			*		2	
11		22918601		NEEDLE BEARING C	SELECTIVE PART			*		2	
12		22918700		NEEDLE BEARING D	SELECTIVE PART			*		2	
13		40095789		COUNTER WEIGHT_LU ASM.						1	
14		SS7681650TP		SCREW 9/32-28 L=16				*		1	
15		11202116		COUNTERWEIGHT				*		1	
16		SS8681650TP		SCREW 9/32-28 L=16				*		1	
17		SS8660610TP		SCREW 1/4-40 L=6				*		2	
18		RO044240100		RUBBER RING				*		1	
19	R	SS6090650SP	SS6090670TP	SCREW 9/64-40 L=6						2	1.00
20		11002409		MAIN SHAFT BUSHING REAR						1	
21		40105231		OIL SEAL						1	
22		RC1850001KP		SNAP RING 18.5						1	
23		22904155		MAIN SHAFT THRUST COLLAR ASM.						1	
24		SS8660610TP		SCREW 1/4-40 L=6				*		2	
25		11202207		MAIN SHAFT BUSHING FRONT						1	
26	R	11008109	22910103	THRUST COLLAR						1	1.00
27		11202306		BUSHING INTERMEDIATE						1	
28		B1226552000		ROLLER FELT						1	
29		22919203		OIL PROTECTING RUBBER						1	
30	R	11256252	11256286	HAND WHEEL ASM.						1	1.00
31		SS6111210SP		SCREW11/64-40L=12				*		1	
32		WP0450801SD		WASHER 4.5X10X0.8				*		2	
33		SS8151550SP		SCREW15/64-28L=15				*		2	
34	R	11071453	11071495	HAND WHEEL ASM.				*		1	1.00
35		M40071100AA		MAGNET FITTING BASE A ASM.				*		1	
36	R	11225356	11256286	MAGNET BASE ASM.				*		1	1.00
37		22937965		DYNAMO STATOR						1	
38		HX000430000		CLIP						1	
39		SL4051001MZ		SCREW M5 L=9.6						2	
40		B1213552000A		OIL ADJUSTING PIN						1	
41		RO029180100		RUBBER RING						1	
42		B1215552000		OIL ADJUSTING COLLAR						1	
43	R	11008059	22910053	FEED DRIVE ECCENTRIC CAM ASM.						1	1.00
44		SS6661110SP		SCREW 1/4-40 L=11				*		2	
45	R	11008000	22910053	FEED DRIVE ECCENTRIC CAM				*		1	1.00

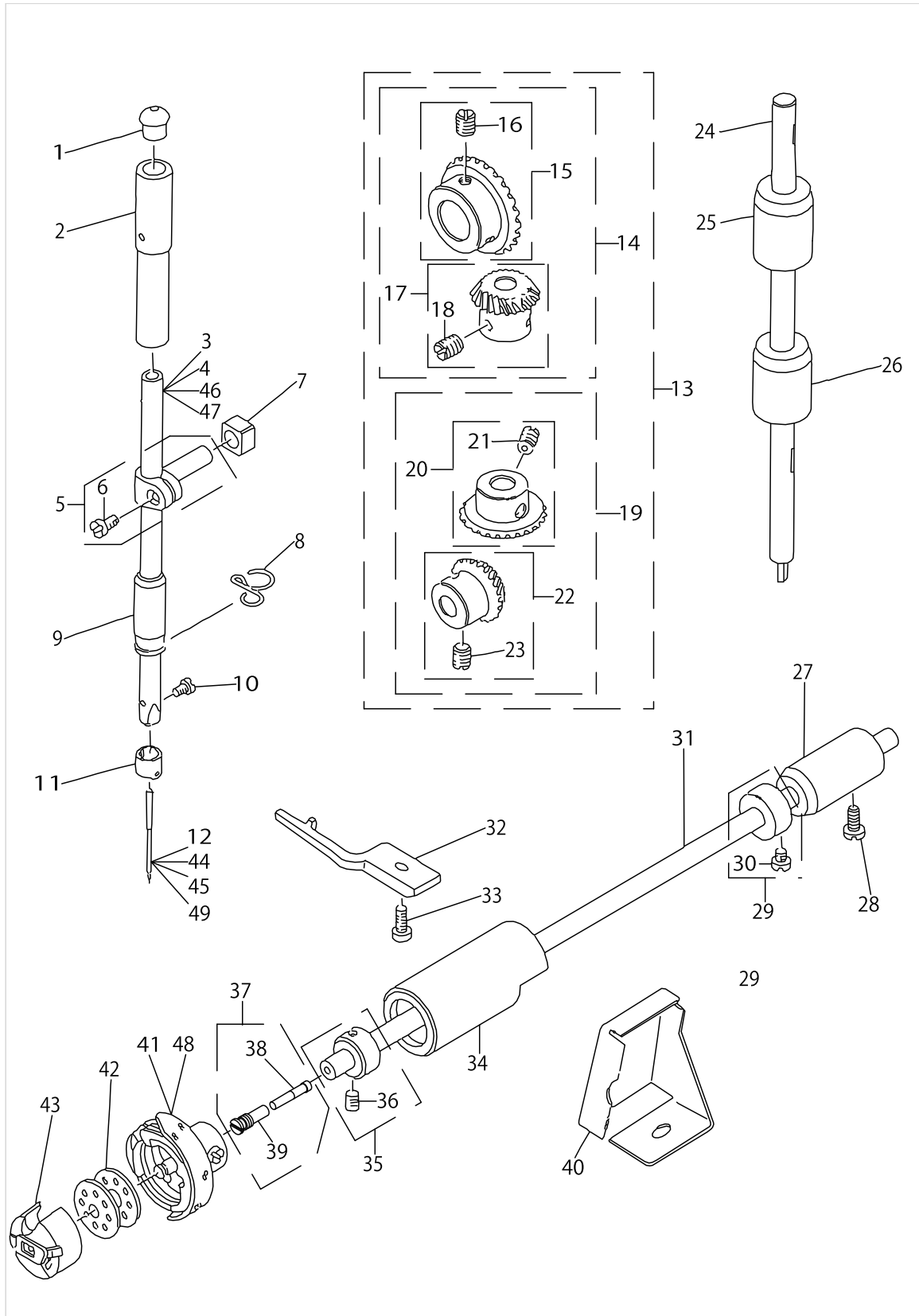
NEEDLE BAR, UPRIGHT SHAFT & HOOK DRIVING SHAFT COMPONENTS



NEEDLE BAR, UPRIGHT SHAFT & HOOK DRIVING SHAFT COMPONENTS

No.	Supply Code	Parts No.	Replacement	Parts name	Remarks	Choice	Step	Level	Cons	Qty	Rep. QTY
1		22901409		NEEDLE BAR UPPER BUSH CAP						1	
2		22906101		NEEDLE BAR BUSHING UPPER						1	
3		11035003		NEEDLE BAR	FOR DLU-- 5494N-7-0B					1	
4		11226107		NEEDLE BAR	FOR DLU-- 5494N-7-WB					1	
5		22906457		NEEDLE BAR HOLDER ASM.						1	
6		SS6090670TP		SCREW 9/64-40 L=6				*		1	
7		40090058		SLIDE BLOCK						1	
8		22920805		NEEDLE BAR THREAD GUIDE						1	
9		22906200		NEEDLE BAR BUSHING LOWER						1	
10		SS7080510TP		SCREW 1/8-44 L=4.5						1	
11		11226016		NEEDLE BAR THREAD GUIDE						1	
12		MDB100B1100		NEEDLE DBX1 #11	FOR JH & USE IN JAPAN					1	
13	R	B13061550C0	B13071550C0	GEAR & PINION ASM.						1	1.00
14		B13061550B0		GEAR & PINION ASM. UPPER				*		1	
15		B13050120A0		GEAR ASM.				*		1	
16		SS8660810TP		SCREW 1/4-40 L=8				*		2	
17		B13061550A0		PINION ASM.				*		1	
18		SS8660810TP		SCREW 1/4-40 L=8				*		2	
19		B13071550B0		GEAR & PINION ASM. LOWER				*		1	
20		B13071550A0		GEAR ASM. LARGE				*		1	
21		SS8660810TP		SCREW 1/4-40 L=8				*		2	
22		B13081550A0		PINION ASM.				*		1	
23		SS8660810TP		SCREW 1/4-40 L=8				*		2	
24		22905004		UPRIGHT SHAFT						1	
25	R	11004306	22905103	BUSHING B UPPER						1	1.00
26		11004207		UPRIGHT SHAFT BUSHING LOWER						1	
27		22916308		HOOK DRIVING SH- AFT BUSH REAR						1	
28		SS4120915SP		SCREW 3/16-28 L=9						1	
29		22917157		THRUST COLLAR ASM. REAR						1	
30		SS6110420TP		SCREW 11/64-40 L=4.8				*		2	
31		22916001		HOOK DRIVING SHAFT						1	
32	R	11038809	22942502	BOBBIN CASE HOLDER						1	1.00
33		SS4110915TP		SCREW 11/64-40 L=9						1	
34		22916308		HOOK DRIVING SH- AFT BUSH REAR						1	
35		22917058		THRUST COLLAR ASM. FRONT						1	
36		SS8110410TP		SCREW 11/64-40 L=3.5				*		2	
37		22916555		OILSEALSCREWASM.						1	
38		11015906		OIL WICK				*		1	
39	R	B1808552000	22916506	OIL SEAL SCREW				*		1	1.00
40		22942601		OIL SHIELD						1	
41		11038650		HOOK ASM.	FOR JH & USE IN JAPAN					1	
42		22932909		BOBBIN						1	
43		11038759		BOBBIN CASE ASM.						1	
44		MC200500750		NEEDLE 134 75	FOR JE					1	

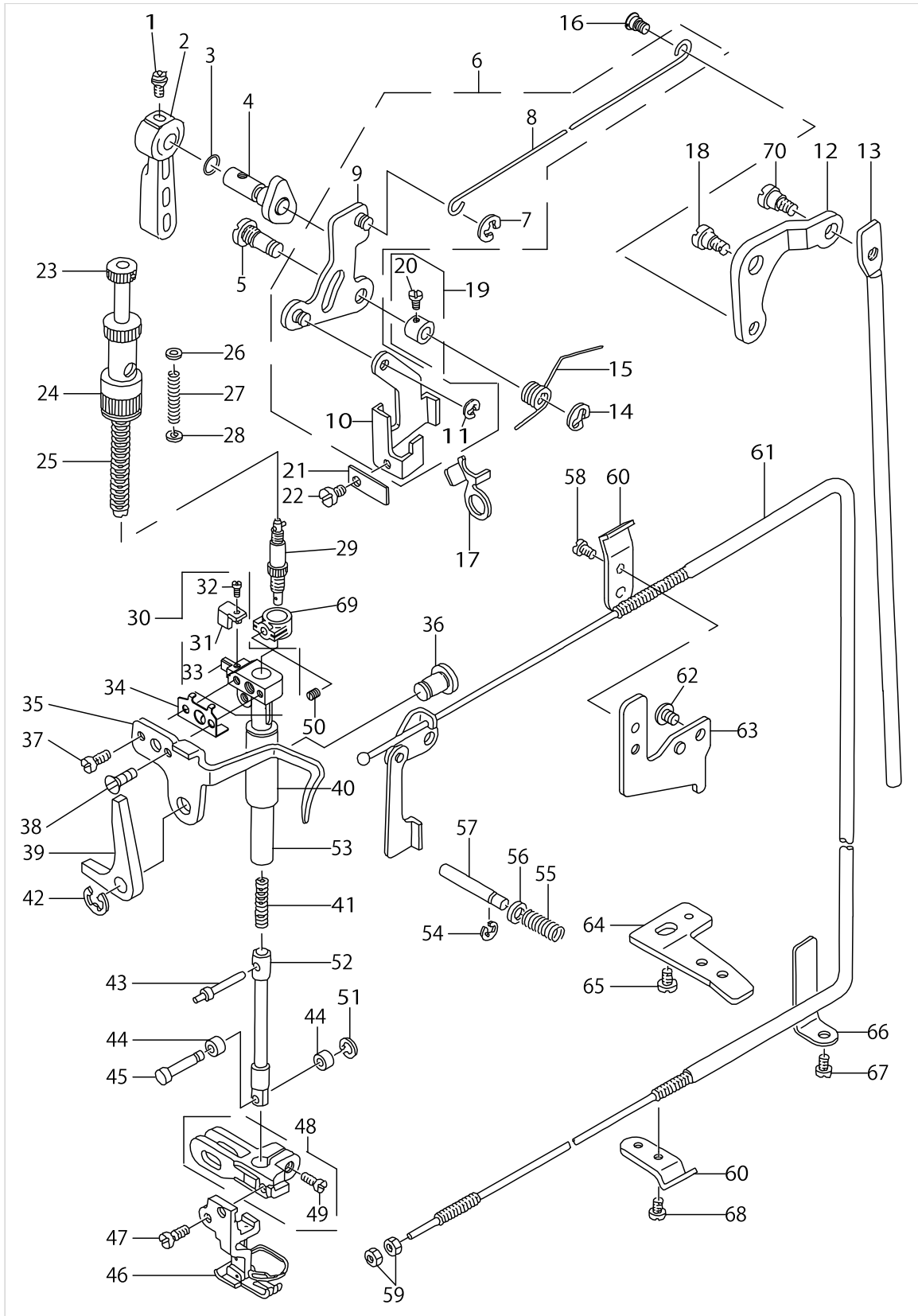
NEEDLE BAR, UPRIGHT SHAFT & HOOK DRIVING SHAFT COMPONENTS



NEEDLE BAR, UPRIGHT SHAFT & HOOK DRIVING SHAFT COMPONENTS

No.	Supply Code	Parts No.	Replacement	Parts name	Remarks	Choice	Step	Level	Cons	Qty	Rep. QTY
45		MDP500B1400		NEEDLE DPX5 #14	FOR JO					1	
46		11240108		NEEDLE BAR	FOR DLU-- 5494N-7-- WB (JE,JO)					1	
47		11141207		NEEDLE BAR	FOR DLU-- 5494N-7-0B (JE,JO)					1	
48		11141355		HOOK ASM.						1	
49		MDB100B1400		NEEDLE DBX1 #14						1	

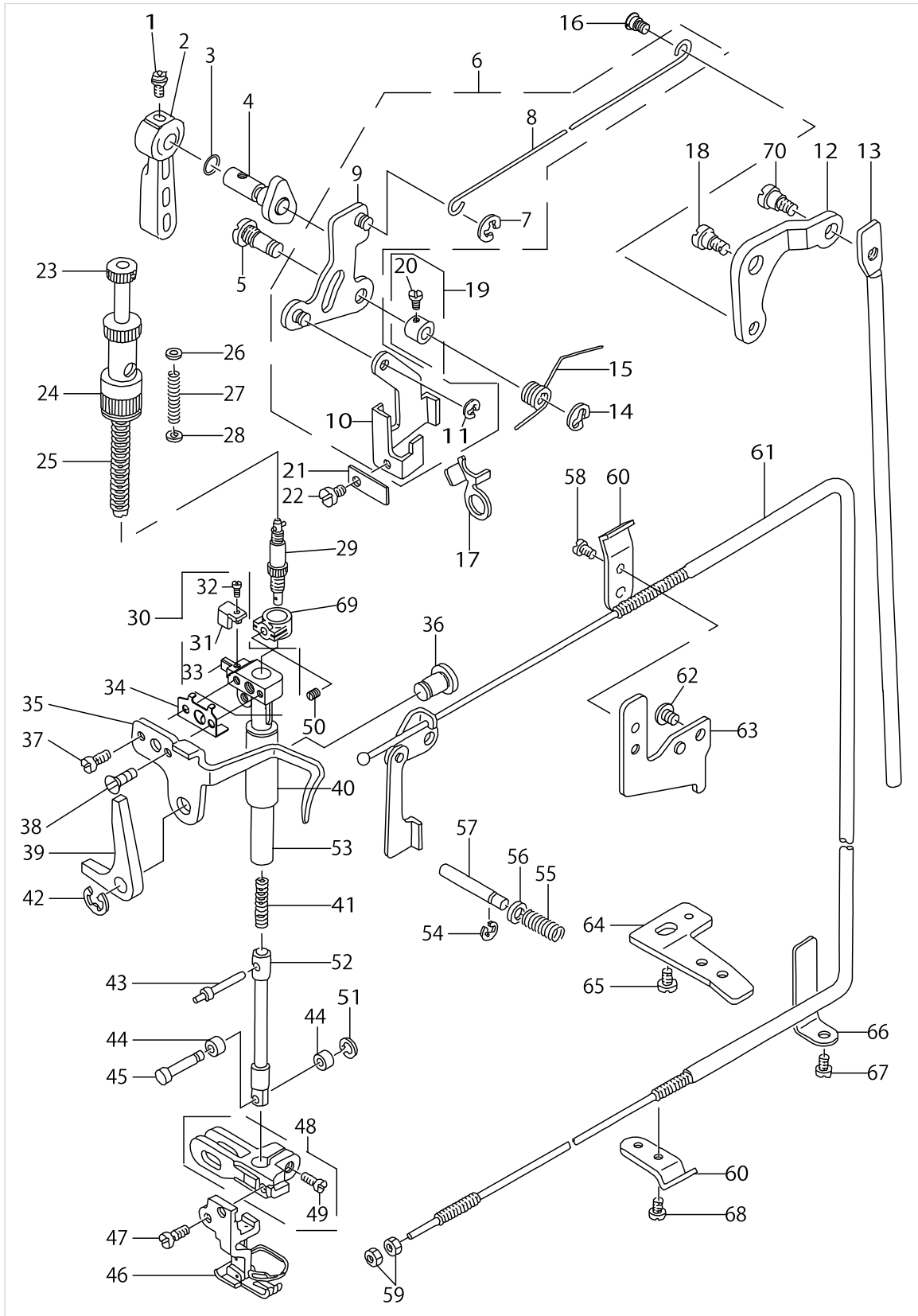
HAND LIFTER COMPONENTS



HAND LIFTER COMPONENTS

No.	Supply Code	Parts No.	Replacement	Parts name	Remarks	Choice	Step	Level	Cons	Qty	Rep. QTY
1		B1521555000		SCREW						1	
2		22907802		HAND LIFTER						1	
3		RO037180100		RUBBER RING						1	
4		22908552		HAND LIFTER CAM ASM.						1	
5		11205218		LIFTING LEVER LINK SHAFT						1	
6		11271053		LIFTING LEVER ASM.						1	
7		RE0500000K0		E-RING				*		1	
8		22908305		KNEE LIFTER SIDE ROD				*		1	
9	R	22908156	22908354	LIFTING LINK ASM.				*		1	1.00
10	D	11271004		LIFTING LEVER				*		1	
11		RE0500000K0		E-RING				*		1	
12		11205309		LIFTING LEVER LINK						1	
13		11205408		CONNECTING ROD						1	
14		RE0500000K0		E-RING						1	
15		11230802		SPRING						1	
16		22908909		HINGE SCREW						1	
17		11220100		TENSION RELEASE PLATE						1	
18		SD0720331SP		HINGE SCREW D=7.24 H=3.3						1	
19		CS064061ASP		THRUST COLLAR ASM.						1	
20		SS7090620TP		SCREW 9/64-40 L=6.1				*		1	
21		11271301		PRESSER PLATE						1	
22		SS6110480SP		SCREW 11/64-40 L=4.3						1	
23		11204559		PRESSER SPRING REGULATOR ASM.						1	
24		11204609		NUT						1	
25	R	B1505227000A	22907406	PRESSER SPRING						1	1.00
26		WP0650816SP		WASHER						1	
27		11205002		GUIDE BAR SPRING						1	
28		WP0661016SP		WASHER						1	
29		11217353		CAP ASM.						1	
30		11204161		PRESSER ROD HOLDER ASM.						1	
31	R	11204211	11204161	BRACKET GUIDE				*		1	1.00
32		SS4080620TP		SCREW 1/8-44 L=6				*		1	
33	R	11204112	11204161	PRESSER BAR GUIDE BRACKET				*		1	1.00
34		11204302		BRACKET PLATE						1	
35		11271103		PRESSER BAR THREAD GUIDE						1	
36		11271202		SHAFT PIN						1	
37	R	SS7111810SP	SS7111810TP	SCREW 11/64-40 L=18						1	1.00
38		SS2090810SP		SCREW 9/64-40 L=7.5						1	
39		11216801		DRIVING PRESSER ARM						1	
40		11204401		BUSHING						1	
41		11217601		WALKING FOOT SPRING						1	
42		RE0400000K0		E-RING 4						1	
43		11275005		DRIVING BAR PIN						1	
44		11217213		ROLLER						2	
45		11217114		ROLLER SHAFT						1	
46		B1524491BB0		PRESSER FOOT ASM. B						1	

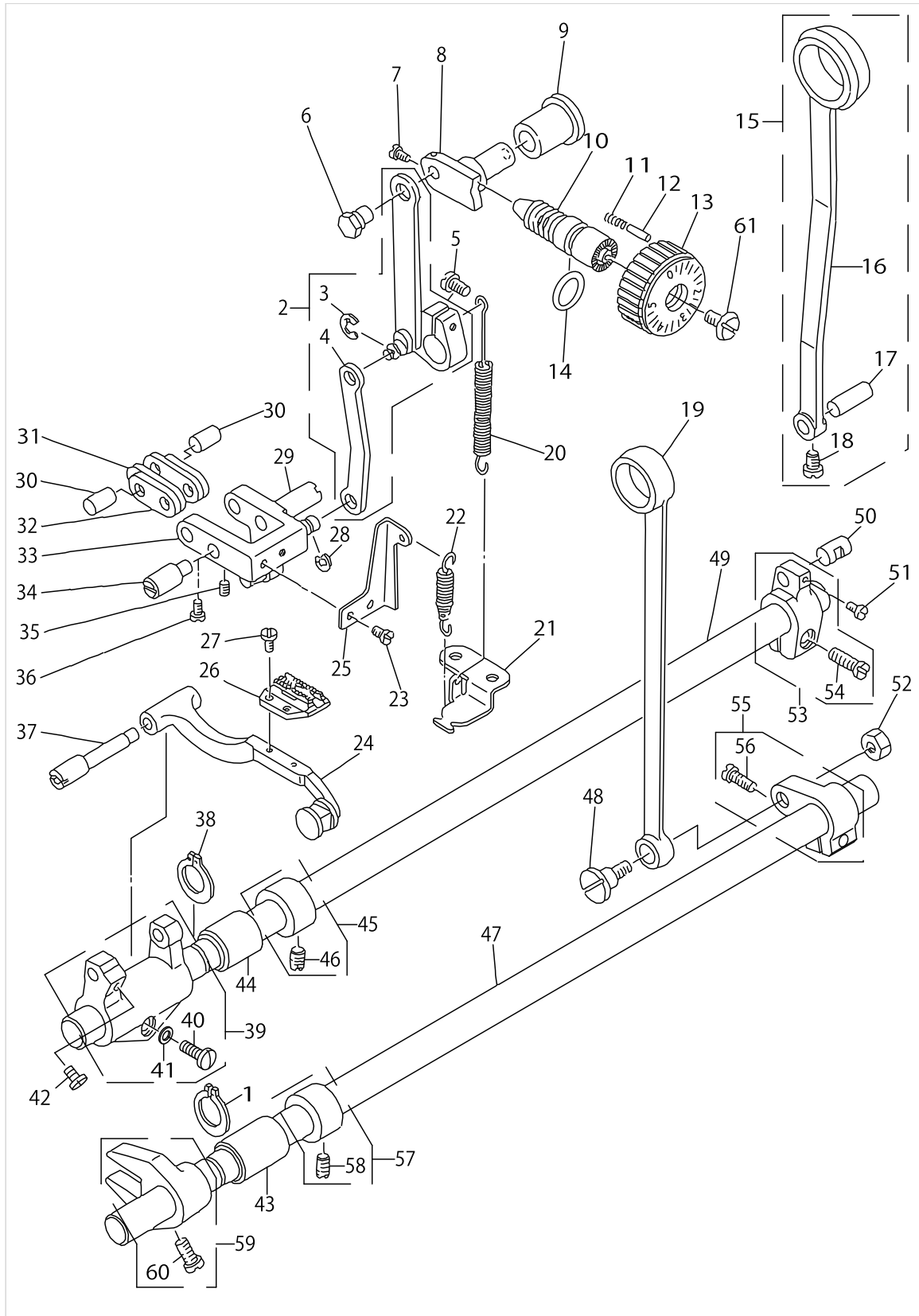
HAND LIFTER COMPONENTS



HAND LIFTER COMPONENTS

No.	Supply Code	Parts No.	Replacement	Parts name	Remarks	Choice	Step	Level	Cons	Qty	Rep. QTY
47		SS6121220TP		SCREW 3/16-28 L=11.5						1	
48		11215258		PRESSER BAR BASE ASM.						1	
49		SS6121220TP		SCREW 3/16-28 L=11.5				*		1	
50		SS8110422TP		SCREW 11/64-40 L=4						1	
51		RC0260415KP		SNAP RING						1	
52		11230117		DRIVING BAR						1	
53		11204013		PRESSER BAR						1	
54		RE0400000K0		E-RING 4						1	
55		22920409		THREAD RELEASE PIN SPRING						1	
56		11220308		THRUST WASHER						1	
57		11220001		PIN						1	
58		SS4110515SP		SCREW 11/64-40 L=5						1	
59		NS6620310SP		NUT 3/16-32						2	
60		22944508		WIRE PRESSER A						2	
61		11230562		WIRE TUBE						1	
62		SS4120615SP		SCREW 3/16-28 L=6						1	
63		22944607		WIRE PRESSER BASE UPPER						1	
64		22962807		WIRE PRESSER BASE B LOWER						1	
65		SS7110740TP		SCREW 11/64-40 L=7						1	
66	R	11046000	22945109	WIRE CABLE HOLDER						1	1.00
67		SS4120615SP		SCREW 3/16-28 L=6						1	
68		SS4110515SP		SCREW 11/64-40 L=5						1	
69		11205507		PRESSER ROD STOPPER						1	
70		SD0600322SD		HINGE SCREW D=6 H=3.2						1	

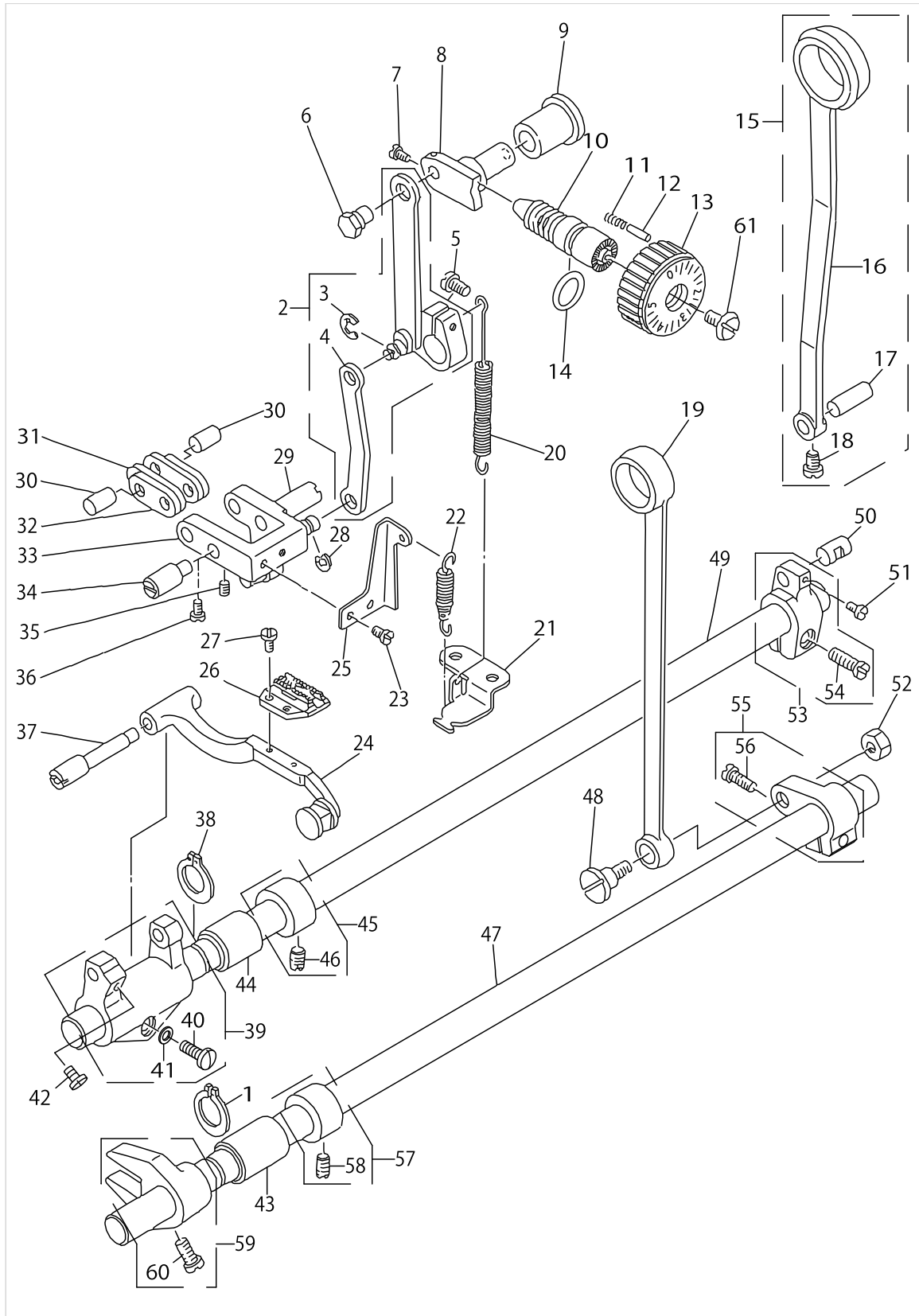
FEED MECHANISM COMPONENTS



FEED MECHANISM COMPONENTS

No.	Supply Code	Parts No.	Replacement	Parts name	Remarks	Choice	Step	Level	Cons	Qty	Rep. QTY
1		RC0150001KP		RETAINING RING 13.8						1	
2		11206463		FEED CHANGING ARM ASM.						1	
3		RE0500000K0		E-RING				*		1	
4	R	11206208	11206463	CONNECTING ROD B				*		1	1.00
5		SS6121220TP		SCREW 3/16-28 L=11.5						1	
6		11206307		FEED REGULATOR PIN						1	
7		SS6090670TP		SCREW 9/64-40 L=6						2	
8		11206406		FEED REGULATOR						1	
9		11273406		FEED REGULATOR BUSHING						1	
10		22911804		FEED REGULATOR SCREW						1	
11		22912109		FEED REGULATOR PIN SPRING						1	
12		22912000		FEED REGULATOR PIN						1	
13		11071909		FEED DIAL						1	
14		RO092270200		RUBBER RING						1	
15		40080424		CONNECTING ROD ASM.						1	
16	R	11206000	40080424	CONNECTING ROD				*		1	1.00
17		22911101		WALKING FOOT PIN C				*		1	
18		SS6090620TP		SCREW				*		1	
19		22915003		CONNECTING ROD						1	
20	R	11010303	11010311	FEED REVERSE SPRING						1	1.00
21	R	11091907	22962203	FEED SPRING HOOK						1	1.00
22		11091204		ADJUST LINK SPRING						1	
23		SS4110515SP		SCREW 11/64-40 L=5						2	
24		22940753		FEED BAR ASM.						1	
25		22941306		REGULATOR LINK SPRING HOOK						1	
26		B1613450A00		FEED DOG A						1	
27		SS4080620TP		SCREW 1/8-44 L=6						2	
28		RE0500000K0		E-RING						1	
29		40010395		ADJUSTING LINK F- ULCRUM SHAFT B						1	
30		22910905		WALKING FOOT PIN A						2	
31		40089548		CONNECTING LINK B						2	
32		40093417		CONNECTING LINK A						2	
33		22940951		FEED ADJUST LINK ASM.						1	
34		22910806		ADJUST LINK FULCRUM SHAFT A						1	
35		SS8150710TP		SCREW 15/64-28 L=7						1	
36		SS6090620TP		SCREW						2	
37		22940803		FEED BAR SHAFT						1	
38		RC0150001KP		RETAINING RING 13.8						1	
39		22940654		FEED ROCKER ASM.						1	
40		SS7121410TP		SCREW 3/16-28 L=14				*		1	
41		WP0480856SP		WASHER 4.8X8.4X0.8				*		1	
42		SS7110740TP		SCREW 11/64-40 L=7						1	
43		22913008		FEED ROCKER SHAFT BUSHING						1	
44		22913008		FEED ROCKER SHAFT BUSHING						1	
45	R	CS147121ASH	22904155	THRUST COLLAR A- SM. D=14.72 W=12						1	1.00

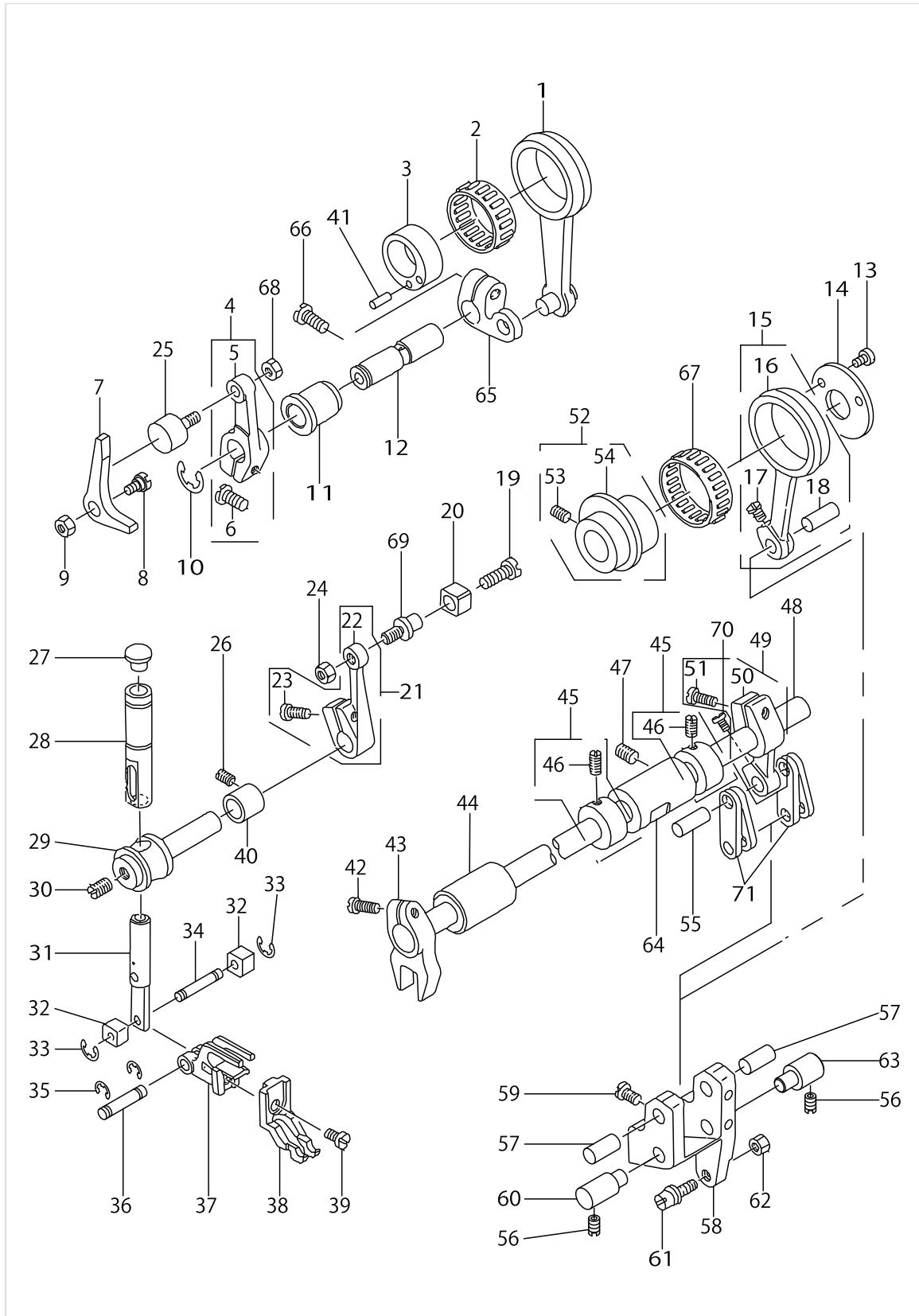
FEED MECHANISM COMPONENTS



FEED MECHANISM COMPONENTS

No.	Supply Code	Parts No.	Replacement	Parts name	Remarks	Choice	Step	Level	Cons	Qty	Rep. QTY
46		SS8660610TP		SCREW 1/4-40 L=6				*		2	
47		22915201		FEED DRIVING SHAFT						1	
48		SD1000801SH		HINGE SCREW D=10 H=8						1	
49		22912901		FEED ROCKERSHAFT						1	
50		22911002		WALKING FOOT PIN B						1	
51		SS6090620TP		SCREW						1	
52		NS6680410SP		NUT 9/32-28						1	
53		22910350		FEED ROCKER SHAFT CRANK ASM.						1	
54		SS6121610SP		SCREW 3/16-28 L=15.5				*		1	
55	R	11014156	22915151	REAR CRANK ASM.						1	1.00
56		SS7121610SP		SCREW 3/16-28 L=15.5				*		1	
57	R	CS147121ASH	22904155	THRUST COLLAR ASM. D=14.72 W=12						1	1.00
58		SS8660610TP		SCREW 1/4-40 L=6				*		2	
59		22915359		DRIVING SHAFT CRANK ASM.						1	
60	R	SS7111120SP	SS7111120TP	SCREW 11/64-40 L=10.5				*		1	1.00
61		SS6121860SP		SCREW 3/16-28 L=18						1	

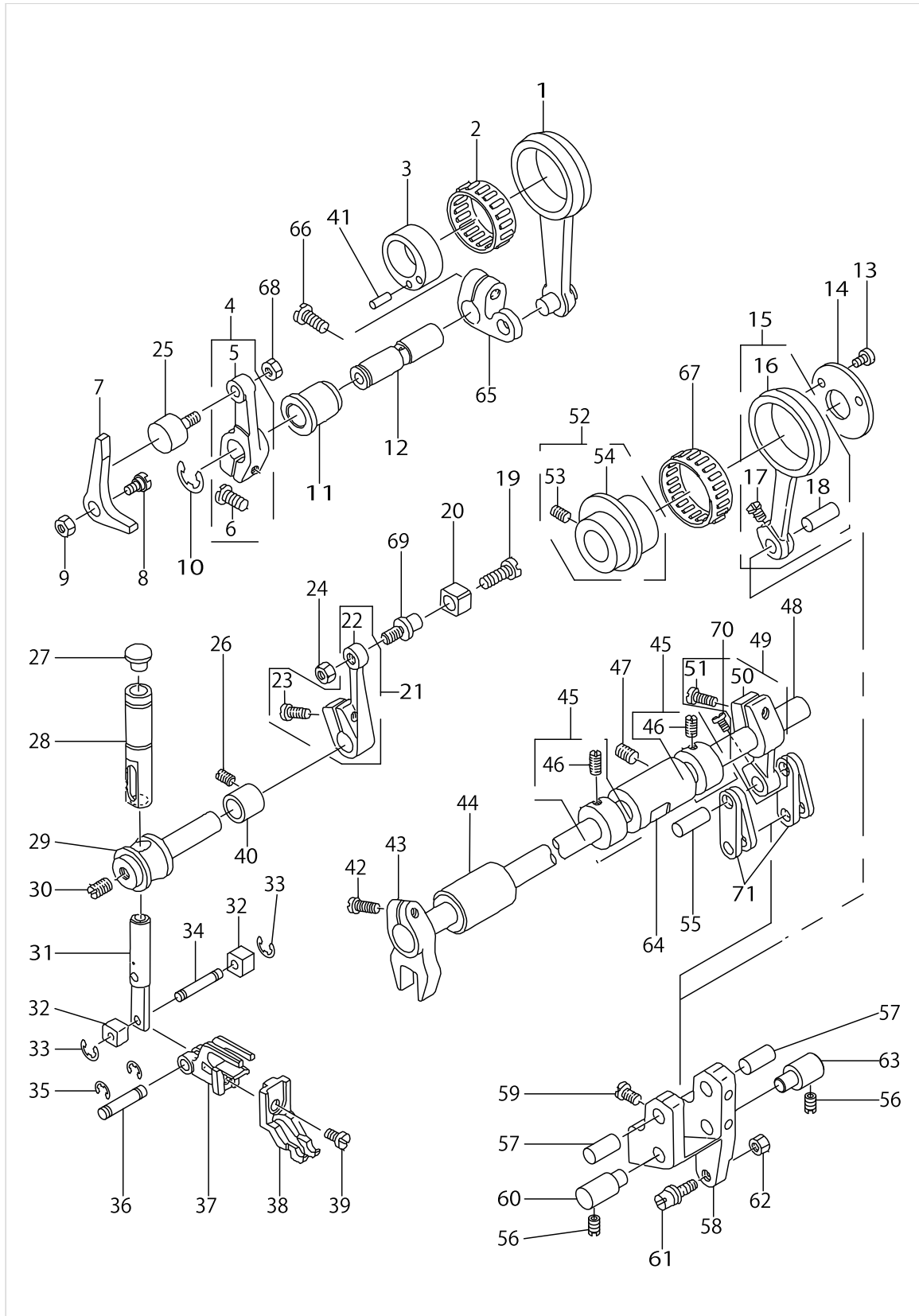
TOP FEED MECHANISM COMPONENTS



TOP FEED MECHANISM COMPONENTS

No.	Supply Code	Parts No.	Replacement	Parts name	Remarks	Choice	Step	Level	Cons	Qty	Rep. QTY
1		11216157		WALKING FOOT DRIVING ROD ASM.						1	
2		B1609804B00		NEEDLE BEARING						1	
3	R	11216009	40095789	WALKING FOOT DRIVING CAM						1	1.00
4		11216652		VERTICAL ARM ASM. FRONT						1	
5	R	11216603	11216652	DRIVING ARM FRONT				*		1	1.00
6		SS6121250TP		SCREW 3/16-28 L=11.5				*		1	
7		11216801		DRIVING PRESSER ARM						1	
8		SD0640451TP		HINGE SCREW D=6.35 H=4.5						1	
9		NS6620310SP		NUT 3/16-32						1	
10		RE0700000K0		E-RING 7						1	
11		11216504		DRIVING SHAFT BUSHING						1	
12		11216405		WALKING FOOT DRIVING SHAFT						1	
13	R	SS6090630SP	SS6090630TP	SCREW 9/64-40 L=6						2	1.00
14		11210119		THRUST COLLAR						1	
15		40078218		WALKING FOOT DRIVING ROD ASM.						1	
16		11210200		WALKING FOOT DRIVING ROD				*		1	
17		SS7090910TP		SCREW 9/64-40 L=8.5				*		1	
18		22911101		WALKING FOOT PIN C				*		1	
19		SS7110570SP		SCREW 11/64-40 L=4.8						1	
20		11214301		ROLLER						1	
21		11214152		LEVEL ARM ASM. (LOWER)						1	
22	R	11214103	11214152	FEED ROCKER SHAFT CRANK LOWER				*		1	1.00
23		SS6121220TP		SCREW 3/16-28 L=11.5				*		1	
24		NS6120310SP		NUT 3/16-28						1	
25		11216702		DRIVING ROLLER						1	
26		SS8120410SP		SCREW 3/16-28 L=3.8						1	
27		TA0850604R0		RUBBER PLUG						1	
28		11214608		FEED ROCKER BAR BUSHING						1	
29		11214400		FEED ROCKERSHAFT						1	
30		SS8150410TP		SCREW 15/64-28 L=4.0						1	
31		11214756		HORIZONTAL BAR ASM.						1	
32		11215118		ROLLER						2	
33		RC0330415KP		SNAP RING						2	
34		11215019		ROLLER SHAFT						1	
35		RC0330415KP		SNAP RING						2	
36		11214806		PIN						1	
37		11214905		WALKING FOOT MOUNT						1	
38		B3026490B00		WALKING FOOT B						1	
39		SS6110610TP		SCREW 11/64-40 L=6						1	
40		11214509		BUSHING						1	
41	D	B3016450000A		PIN						1	
42		SS6121220TP		SCREW 3/16-28 L=11.5						1	
43	R	11214004	11214053	FEED ROCKER SHAFT CRANK UPPER						1	1.00
44		11211000		ROCK SHAFT BUSHING FRONT						1	
45		CS120101BSH		THRUST COLLAR ASM.						2	

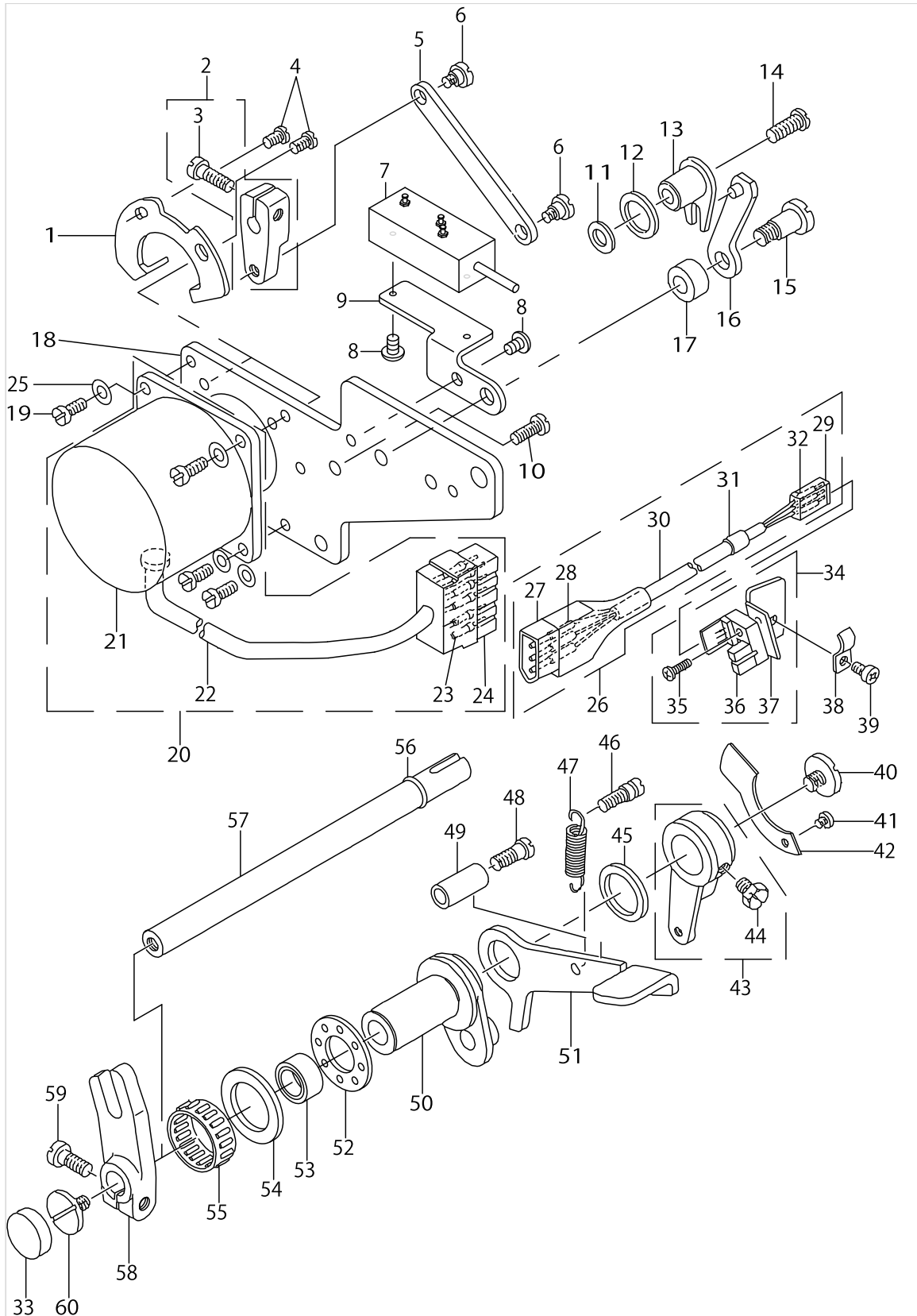
TOP FEED MECHANISM COMPONENTS



TOP FEED MECHANISM COMPONENTS

No.	Supply Code	Parts No.	Replacement	Parts name	Remarks	Choice	Step	Level	Cons	Qty	Rep. QTY
46		SS8660410SP		SCREW 1/4-40 L=4.2				*		4	
47		SS8120740SP		SCREW 3/16-28 L=7						1	
48		11210804		WALKING FOOT ROCK SHAFT						1	
49		11210754		WALKING FOOT ARM ASM.						1	
50	R	11210705	11210754	WALKING FOOT ARM				*		1	1.00
51		SS6121220TP		SCREW 3/16-28 L=11.5				*		1	
52		11210051		LEVEL CAM ASM.						1	
53		SS8660530TP		SCREW 1/4-40 L=4.5				*		2	
54	R	11210002	11210051	CAM				*		1	1.00
55		22911002		WALKING FOOT PIN B						1	
56		SS8120740SP		SCREW 3/16-28 L=7						2	
57		22910905		WALKING FOOT PIN A						2	
58		11210325		WALKING FOOT ADJUSTING LINK						1	
59		SS4090815SP		SCREW 9/64-40 L=8						2	
60		11210507		WALKING FOOT FULCRUM SHAFT A						1	
61		11210408		WALKING FOOT ADJUSTING PIN						1	
62		NS6620310SP		NUT 3/16-32						1	
63		11210614		FULCRUM SHAFT B						1	
64		11210903		ROCK SHAFT BUSHING REAR						1	
65	R	11216306	11216355	DRIVING ARM REAR						1	1.00
66		SS6121220TP		SCREW 3/16-28 L=11.5						1	
67		B412352200B		NEEDLE ROLLAR						1	
68		NM6040001SD		NUT M4						1	
69		11214202		WALING FOOT HORIZONTAL LOWER						1	
70		SS7090910TP		SCREW 9/64-40 L=8.5						1	
71		40089548		CONNECTING LINK B						4	

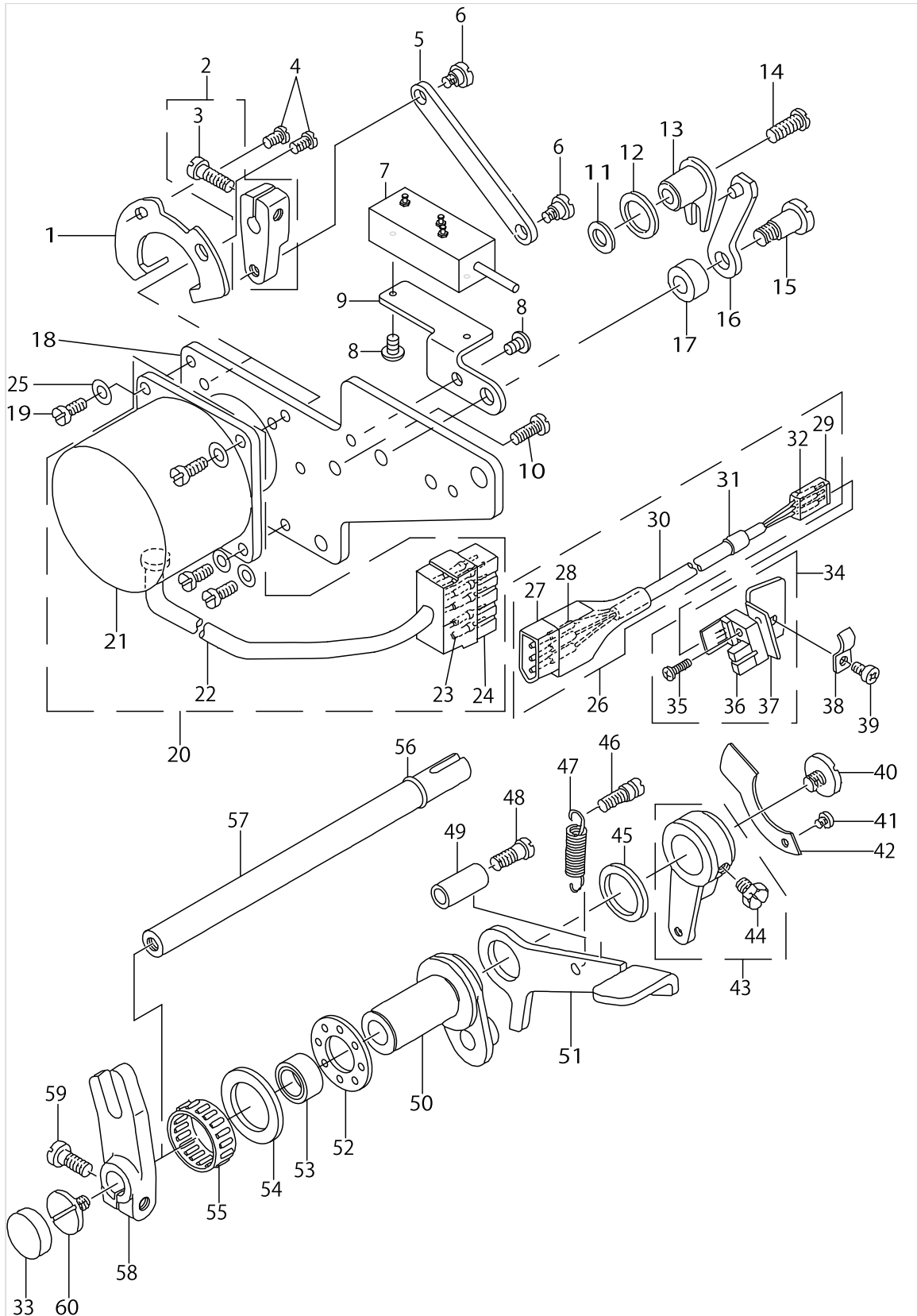
TOP FEED MECHANISM & MOTOR COMPONENTS



TOP FEED MECHANISM & MOTOR COMPONENTS

No.	Supply Code	Parts No.	Replacement	Parts name	Remarks	Choice	Step	Level	Cons	Qty	Rep. QTY
1		11274701		MOTOR ARM STOPPER						1	
2		11274552		MOTOR ARM ASM.						1	
3		SS6121010SP		SCREW 3/16-28 L=10				*		1	
4		SS4110615SP		SCREW 11/64-40 L=6						2	
5		11274602		MOTOR LINK						1	
6		SD0640321SP		HINGE SCREW D=6.35 H=3.2						2	
7		40034156		POTENTIOMETER ASM.						1	
8		SS4110615SP		SCREW 11/64-40 L=6						3	
9		40032986		POTENTIOMETER BASE						1	
10		SS4120915SP		SCREW 3/16-28 L=9						1	
11		11273505		BRANCH SPACER						1	
12		11273307		OIL SEAL						1	
13		11273158		POTENTIOMETER CRANK ASM.						1	
14	R	SS7121410SP	SS7121410TP	SCREW 3/16-28 L=14						1	1.00
15		SD0870401SP		HINGE SCREW D=8.73 H=4						1	
16		11272952		POTENTIOMETER ARM ASM.						1	
17		11273000		POTENTIOMETER ARM COLLAR						1	
18		11274313		STEPPING MOTOR BASE						1	
19		SS4110915TP		SCREW 11/64-40 L=9						4	
20		11281458		STEPPING MOTOR						1	
21		HM001020000		PULSE MOTOR				*		1	
22		E8760452M00		TUBE				*		0.62	
23		HK034610060		HOUSING 6P				*		1	
24		HK03464000B		PIN CONTACT				*		6	
25		WP0460556SD		WASHER 4.6X7.5X0.5						4	
26		11281557		TRUNK CORD ASM.						1	
27		HK034610040		HOUSING				*		1	
28		HK03464000B		PIN CONTACT				*		3	
29		HK011610030		3-POLE CONNECTOR				*		1	
30		HW000880030		TUBE				*		1.1	
31		E8760452G00		TUBE				*		0.02	
32		HK011640000		PIN CONTACT				*		3	
33		TA1750502R0		RUBBER PLUG D=17.5 L=5						1	
34		11274859		SENSOR ASM.						1	
35		SL4031081SF		SCREW M3 L=10				*		1	
36		HD000570000		SENSOR				*		1	
37		11274800		SENSOR BASE				*		1	
38		D2611555B00A		CABLE HOLDER						1	
39		SS4110615SP		SCREW 11/64-40 L=6						1	
40		SS7620750SP		SCREW 3/16-32 L=6.5						1	
41		SS4110615SP		SCREW 11/64-40 L=6						1	
42		11274206		SENSOR PLATE						1	
43		11274156		WALKING FOOT LEVER ARM ASM.						1	
44		SS9660910SP		SCREW 1/4-40 L=9.4				*		1	
45		11272408		THRUST COLLAR						1	
46		11272614		FEED SPRING HOOK						1	

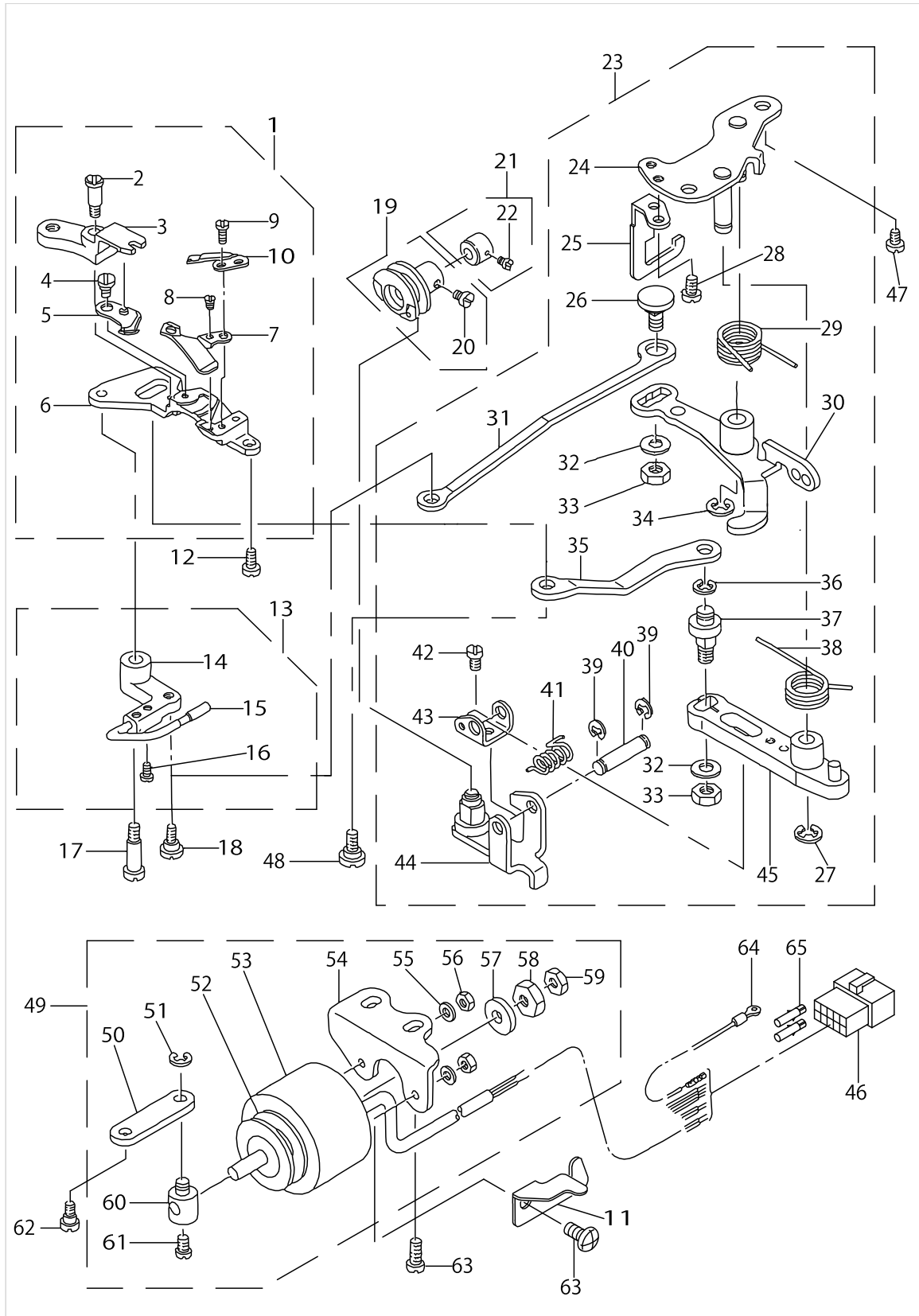
TOP FEED MECHANISM & MOTOR COMPONENTS



TOP FEED MECHANISM & MOTOR COMPONENTS

No.	Supply Code	Parts No.	Replacement	Parts name	Remarks	Choice	Step	Level	Cons	Qty	Rep. QTY
47		11272507		SPRING						1	
48		SS6121840SP		SCREW 3/16-28 L=18						1	
49	R	11100500	22952501	REVERSE FEED LEVER STOPPER						1	1.00
50		11272051		LEVER BASE ASM.						1	
51		11280401		FEED CONTROL LEVER						1	
52		B1211980000		UPPER SHAFT THRUST BEARING						1	
53		B1641490000		OIL SEAL						1	
54		B1242980000		THRUST WASHER SMALL						1	
55		B1644490000		NEEDLE BEARING						1	
56		RO069180100		RUBBER RING						1	
57		11274008		LEVER SHAFT						1	
58	R	11211109	11211158	WALKING FOOT ADJUSTING ARM						1	1.00
59		SS6121250TP		SCREW 3/16-28 L=11.5						1	
60		SS7620750SP		SCREW 3/16-32 L=6.5						1	

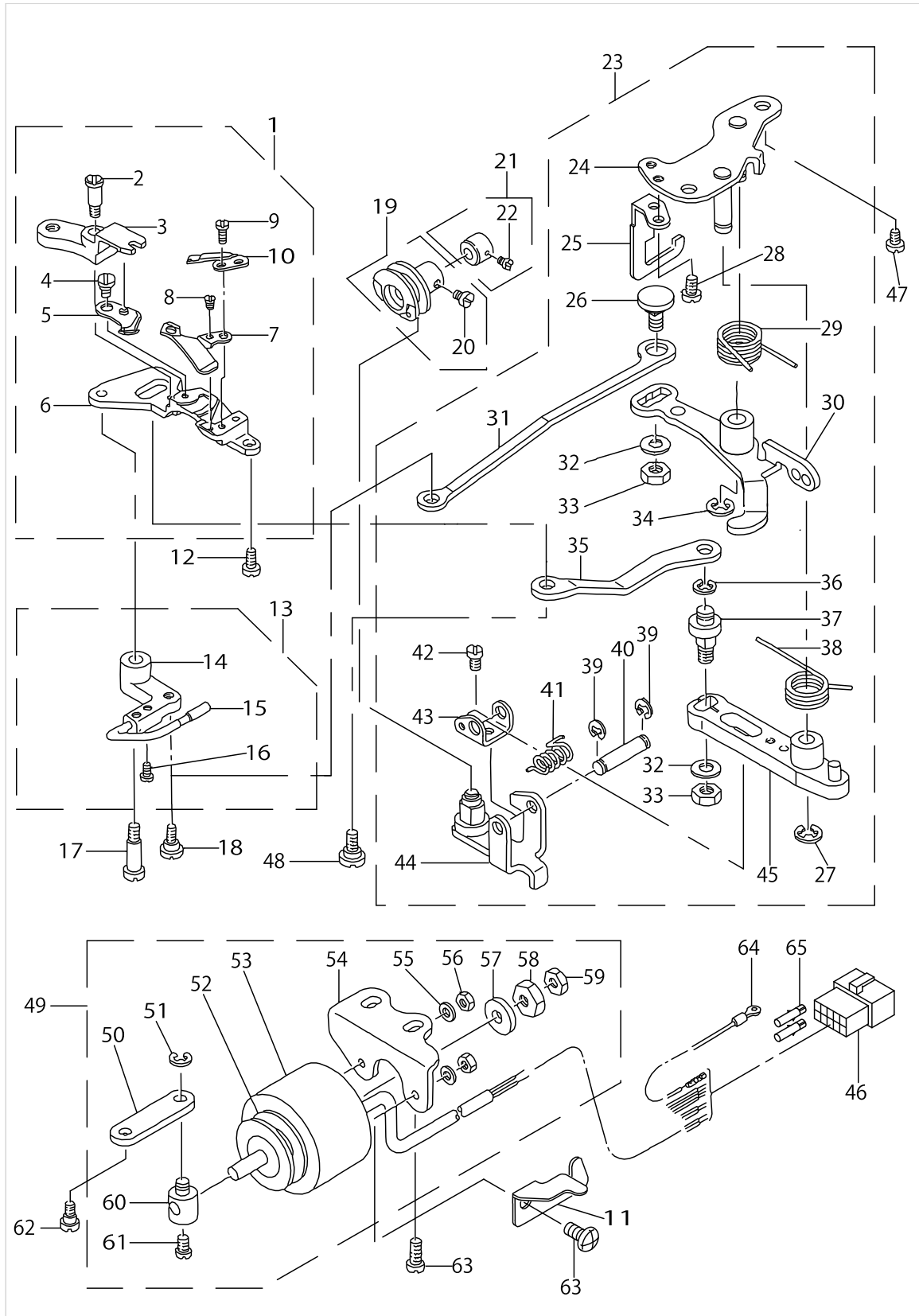
THREAD TRIMMER COMPONENTS



THREAD TRIMMER COMPONENTS

No.	Supply Code	Parts No.	Replacement	Parts name	Remarks	Choice	Step	Level	Cons	Qty	Rep. QTY
1		11232055		KNIFE UNIT						1	
2		SD0460703TP		HINGE SCREW D=4.6 H=7				*		1	
3		11232105		FORKED BASE FOR KNIFE				*		1	
4		SD0500095TH		HINGE SCREW D= 5 H= 0.85				*		1	
5		11040052		MOVING KNIFE ASM.				*		1	
6		22947907		KNIFE MOUNTING BASE				*		1	
7		11040201		THREAD GUIDE FOR KNIFE				*		1	
8		SS2060210SP		SCREW 3/32-56 L=2.3				*		1	
9		SS4080620TP		SCREW 1/8-44 L=6				*		2	
10		D2406555D0H		COUNTER KNIFE				*		1	
11		22962708		TUBE HOLDER LOWER						1	
12		SS4110715SP		SCREW 11/64-40 L=7						1	
13		22950257		PICKER ARM ASM.						1	
14		22950208		PICKER ARM				*		1	
15		22950356		HOOK THREAD PRESSER ASM.				*		1	
16	R	SS6090510SP	SS6090510TP	SCREW 9/64-40 L=5				*		2	1.00
17		SD0641451SP		HINGE SCREW D= 6.35 H=14.5						1	
18		SD0630275SP		HINGE SCREW D= 6.35 H=2.7						1	
19		22950851		THREAD TRIMMER CAM ASM.						1	
20		SS6660610TP		SCREW 1/4-40 L=6				*		2	
21	R	11042959	22950950	CAM COLLAR ASM.						1	1.00
22		SS8110520TP		SCREW 11/64-40 L=4.5				*		1	
23		22949762		THREAD TRIMMER DRIVING UNIT						1	
24		22949754		BASE PLATE ASM.				*		1	
25		22950703		DRIVING ARM STOPPER				*		1	
26		22950000		PICKER LINK PIN				*		1	
27		RE0600000K0		E-RING 6				*		1	
28		SS4110715SP		SCREW 11/64-40 L=7				*		2	
29		22949408		CLUTCH SPRING				*		1	
30		40087245		CLUTCH PLATE ASM.				*		1	
31		22950109		PICKER LINK				*		1	
32		WP0621016SH		WASHER				*		2	
33		NS6150430SP		NUT 15/64-28				*		2	
34		RE0600000K0		E-RING 6				*		1	
35		22948301		MOVING KNIFE LINK				*		1	
36		RE0500000K0		E-RING				*		1	
37		22948400		MOVING KNIFE LINK PIN				*		1	
38		22949309		KNIFE RETURN SPRING B				*		1	
39		RE0400000K0		E-RING 4				*		2	
40		22949101		ROLLER FULCRUM SHAFT				*		1	
41		22949200		ROLLER RETURN SPRING				*		1	
42		SS7090610SP		SCREW 9/64-40 L=6				*		1	
43		22949002		ROLLER ARM SEAT				*		1	
44		11040953		ROLLER ARM ASM.				*		1	
45	R	11040854	22948558	KNIFE DRIVING ARM ASM.				*		1	1.00
46		HK034610140		HOUSING 14P						1	

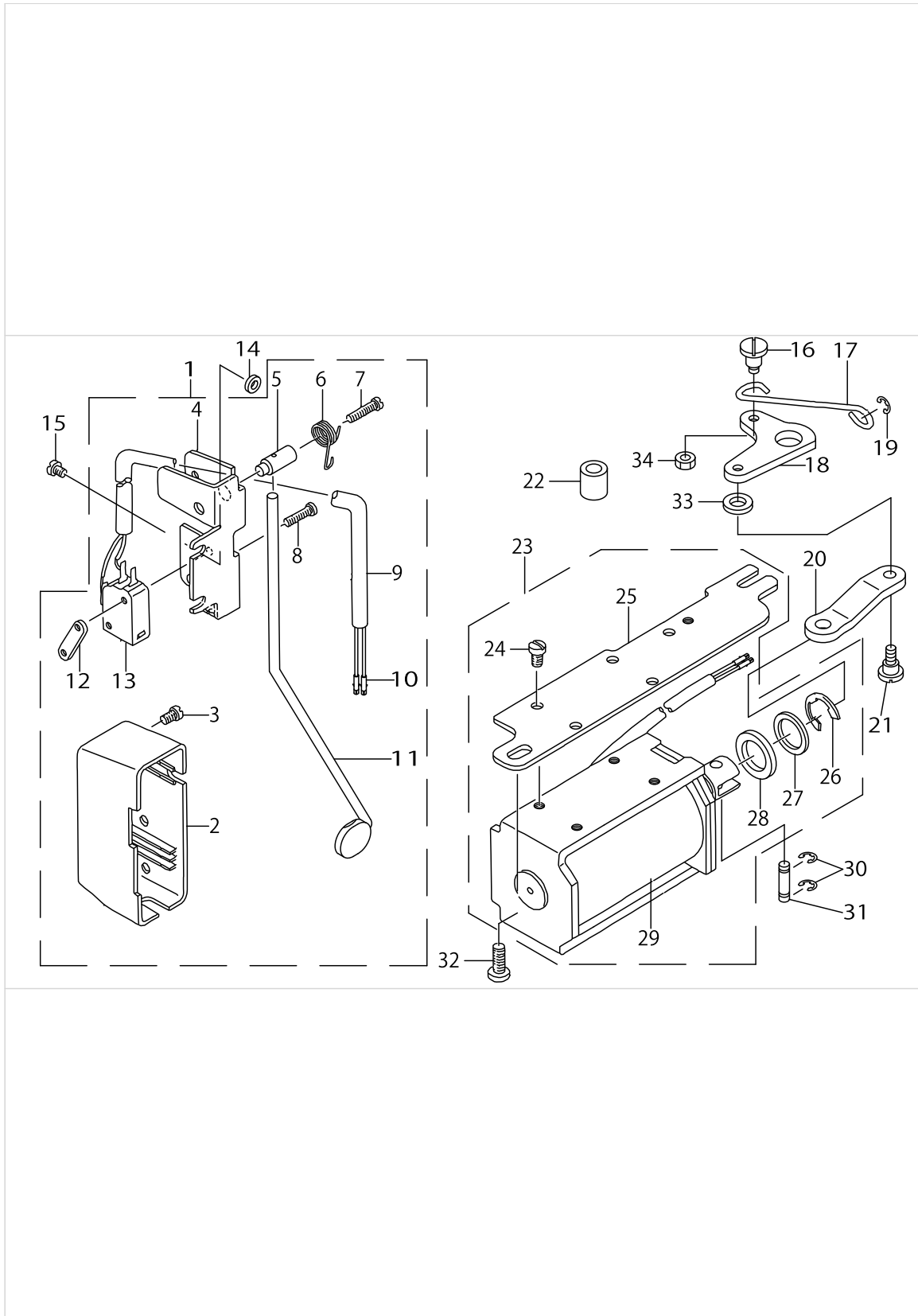
THREAD TRIMMER COMPONENTS



THREAD TRIMMER COMPONENTS

No.	Supply Code	Parts No.	Replacement	Parts name	Remarks	Choice	Step	Level	Cons	Qty	Rep. QTY
47		SS4150915SP		SCREW 15/64-28 L=9						2	
48		SD0640631TP		HINGE SCREW D=6.35 H=6.3						1	
49	R	11043957	40106930	SOLENOID UNIT						1	1.00
50	R	11042207	22949903	CLUTCH LINK				*		1	1.00
51		RE0500000K0		E-RING				*		1	
52		11043205		SOLENOID RUBBER A				*		1	
53	R	11043908	40106930	THREAD TRIMMER SOLENOID				*		1	1.00
54	R	11043403	22951404	SOLENOID BASE				*		1	1.00
55		WP0450000SD		WASHER 4.5X8X0.5				*		2	
56		NM6040000SN		NUT M4				*		2	
57		11043304		SOLENOID RUBBER				*		1	
58		NS6660410SH		NUT				*		1	
59		NS6660430SP		NUT 1/4-40				*		1	
60	R	11043007	22951008	SOLENOID PIN				*		1	1.00
61		SS6110710TP		SCREW 11/64-40 L=6.5				*		1	
62		SD0600361SP		HINGE SCREW D=6 H=3.6						1	
63		SS4151215SP		SCREW 15/64-28 L=12						2	
64	R	11044054	22951552	GROUND WIRE ASM.						1	1.00
65		HK03464000B		PIN CONTACT						2	

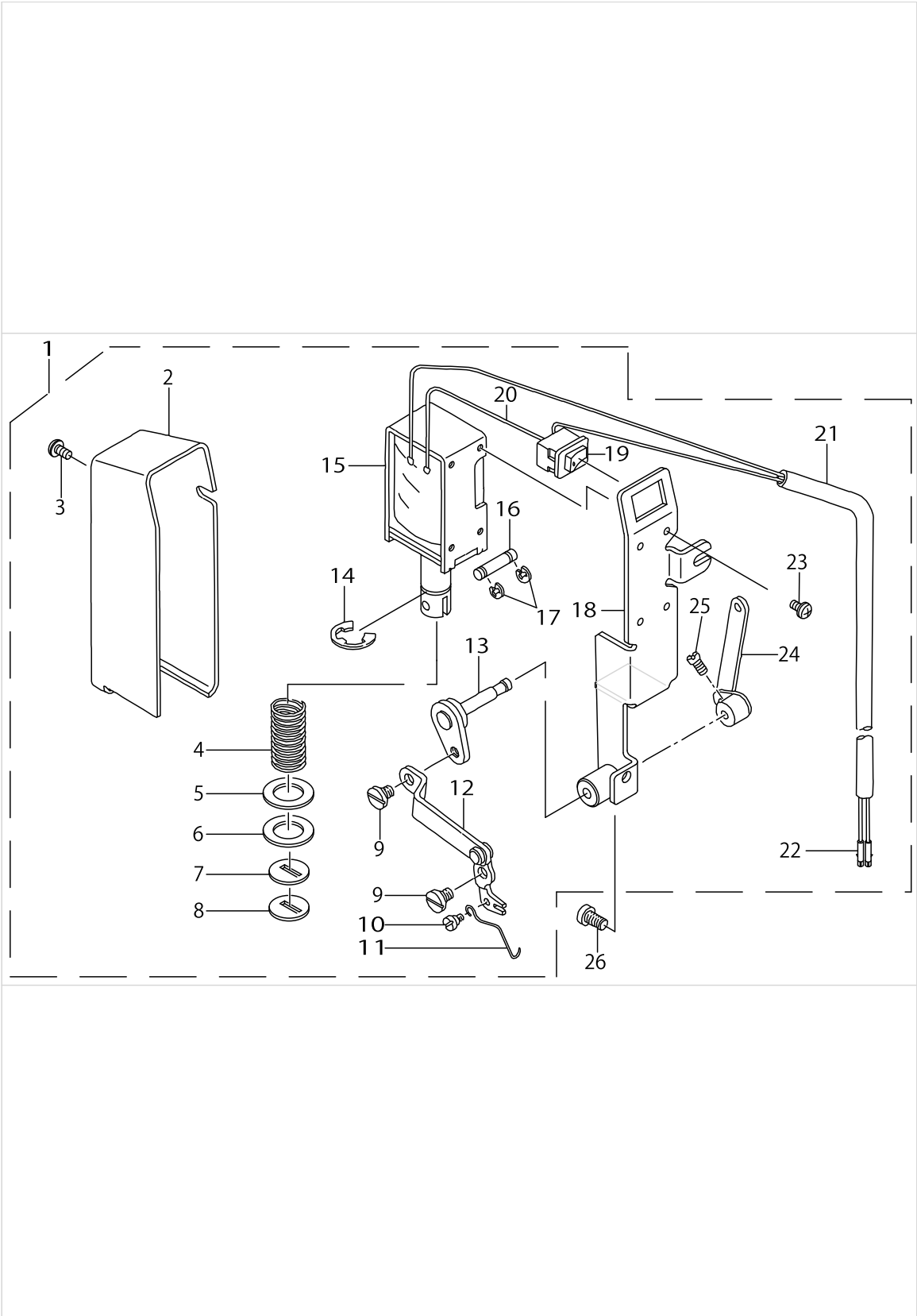
AUTOMATIC REVERSE FEED COMPONENTS



AUTOMATIC REVERSE FEED COMPONENTS

No.	Supply Code	Parts No.	Replacement	Parts name	Remarks	Choice	Step	Level	Cons	Qty	Rep. QTY
1		11257755		REVERSE FEED SWITCH ASM.						1	
2		22954606		REVERSE FEED SWITCH COVER				*		1	
3		SM4040655SP		SCREW				*		1	
4		22954101		REVERSE FEED SWITCH BASE				*		1	
5		22954200		REVERSE FEED SWITCH SHAFT				*		1	
6		22954309		REVERSE FEED SWITCH SPRING				*		1	
7		SM4041655SP		SCREW				*		1	
8		SM4031501SC		SCREW M3 L=15				*		2	
9		HW500070000		2-CORE CABTYRE CORD				*		1.31	
10		HK03464000B		PIN CONTACT				*		2	
11		11257607		REVERSE FEED CONTROL LEVER				*		1	
12	R	11102308	22954408	MICRO SWITCH PLATE				*		1	1.00
13		HA001900000		MICROSWITCH				*		1	
14		WP0553216SD		WASHER	FOR DLU-- 5494N-7-0B					1	
15		SS4120915SP		SCREW 3/16-28 L=9						1	
16		SD0700451TP		HINGE SCREW D=7 H=4.5						1	
17		11101300		REVERSE FEED CO- NECTING SHAFT						1	
18		11101508		REVERSE FEED LINK						1	
19		RE0500000KP		E-RING 5						1	
20		22962500		SOLENOID CONNECTING LINK						1	
21		SD0700711TP		HINGE SCREW D=7 H=7.1						1	
22		22962609		REVERSE FEED BASE COLLAR						1	
23		40108027		SOLENOID MOUNTING BASE ASM.						1	
24		SS7110740TP		SCREW 11/64-40 L=7				*		4	
25		40107992		SOLENOID INSTALLING PLATE				*		1	
26		RE1200000K0		E-RING 12				*		1	
27		WP1703001SC		WASHER 17X30X3				*		1	
28		D2468555B00		RUBBER PLUNGER				*		1	
29	R	40090751	40090750	REVERSE FEED SOLENOID				*		1	1.00
30		RE0400000K0		E-RING 4						2	
31		D2464555B00		LINK DRIVING MAGNET PIN						1	
32		SS4150915SP		SCREW 15/64-28 L=9						1	
33		WP0722316SH		WASHER						1	
34		NS6110420SP		NUT 11/64-40						1	

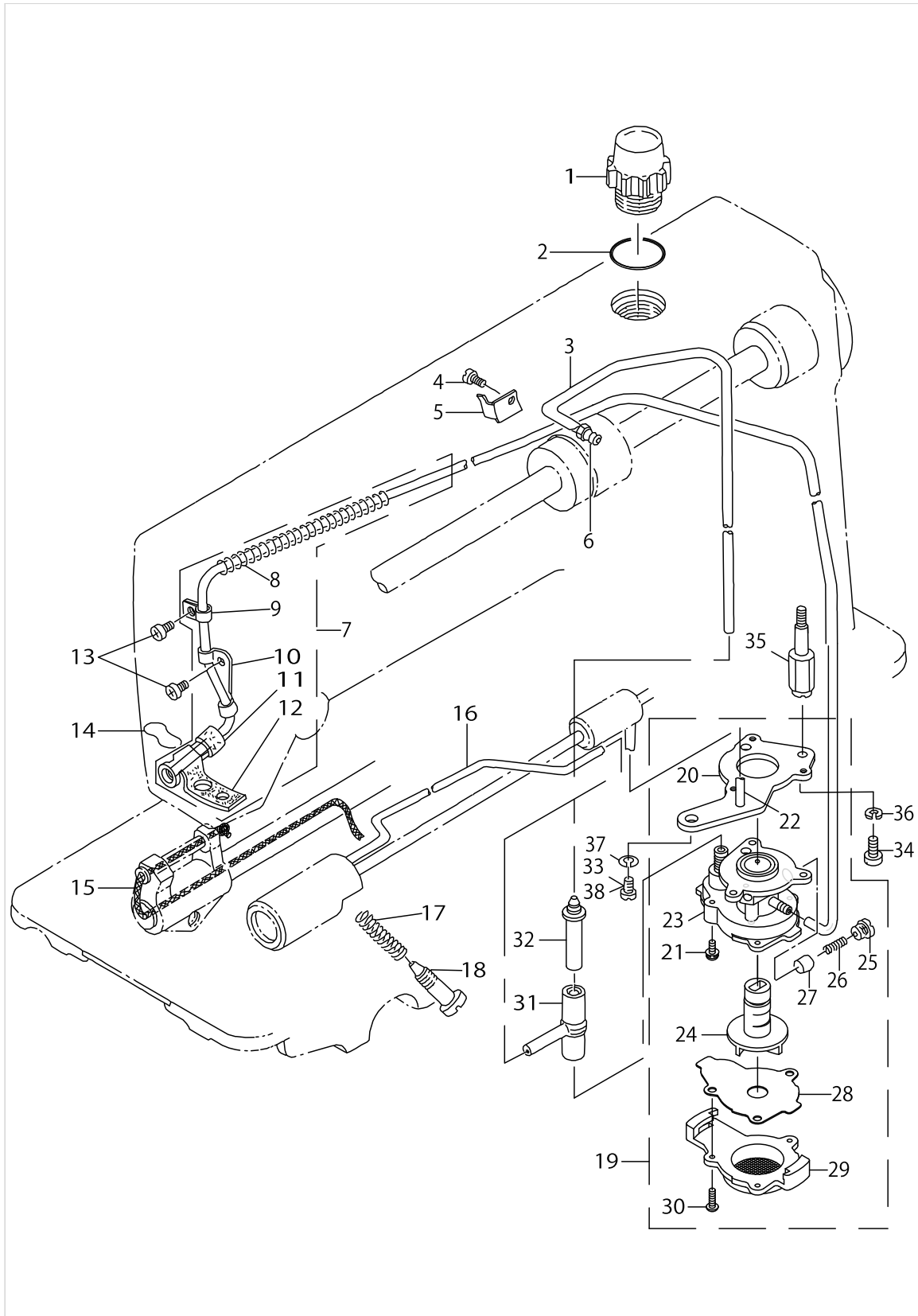
WIPER COMPONENTS



WIPER COMPONENTS

No.	Supply Code	Parts No.	Replacement	Parts name	Remarks	Choice	Step	Level	Cons	Qty	Rep. QTY
1		11258159		WIPER ASM.						1	
2		11258001		WIPER COVER				*		1	
3		SL4030621SS		SCREW M3				*		1	
4		11233400		SPRING				*		1	
5		WP1221016SP		WASHER				*		1	
6		11234408		SOLENOID RUBBER				*		1	
7		11233301		STOPPER RUBBER				*		1	
8		11234606		STOPPER RUBBER WASHER				*		1	
9		SD0550212TP		HINGE SCREW D=5.5 H=2.1				*		2	
10		SS7090410SP		SCREW 9/64-40 L=3.5				*		1	
11		D2104490D00		WIPER				*		1	
12		11234150		WIPER DRIVING LINK ASM.				*		1	
13		11233657		WIPER LEVER A ASM.				*		1	
14		RE0900000K0		E-RING 9				*		1	
15	R	11233202	40112705	WIPER SOLENOID				*		1	1.00
16		11234507		PLUNGER CONNECTING PIN				*		1	
17		RE0300000K0		E-RING 3				*		2	
18		11233053		WIPER INSTALLING BASE ASM.				*		1	
19		HA000590000		POWER SWITCH				*		1	
20		HW200390000		ELECTRIC WIRE				*		0.05	
21		HW500070000		2-CORE CABTYRE CORD				*		1.33	
22		HK03464000B		PIN CONTACT				*		2	
23		SL4030641SE		SCREW				*		4	
24		11233251		WIPER LEVER B ASM.				*		1	
25		SS6110710TP		SCREW 11/64-40 L=6.5				*		2	
26		SS4121015SP		SCREW 3/16-28 L=10				*		1	

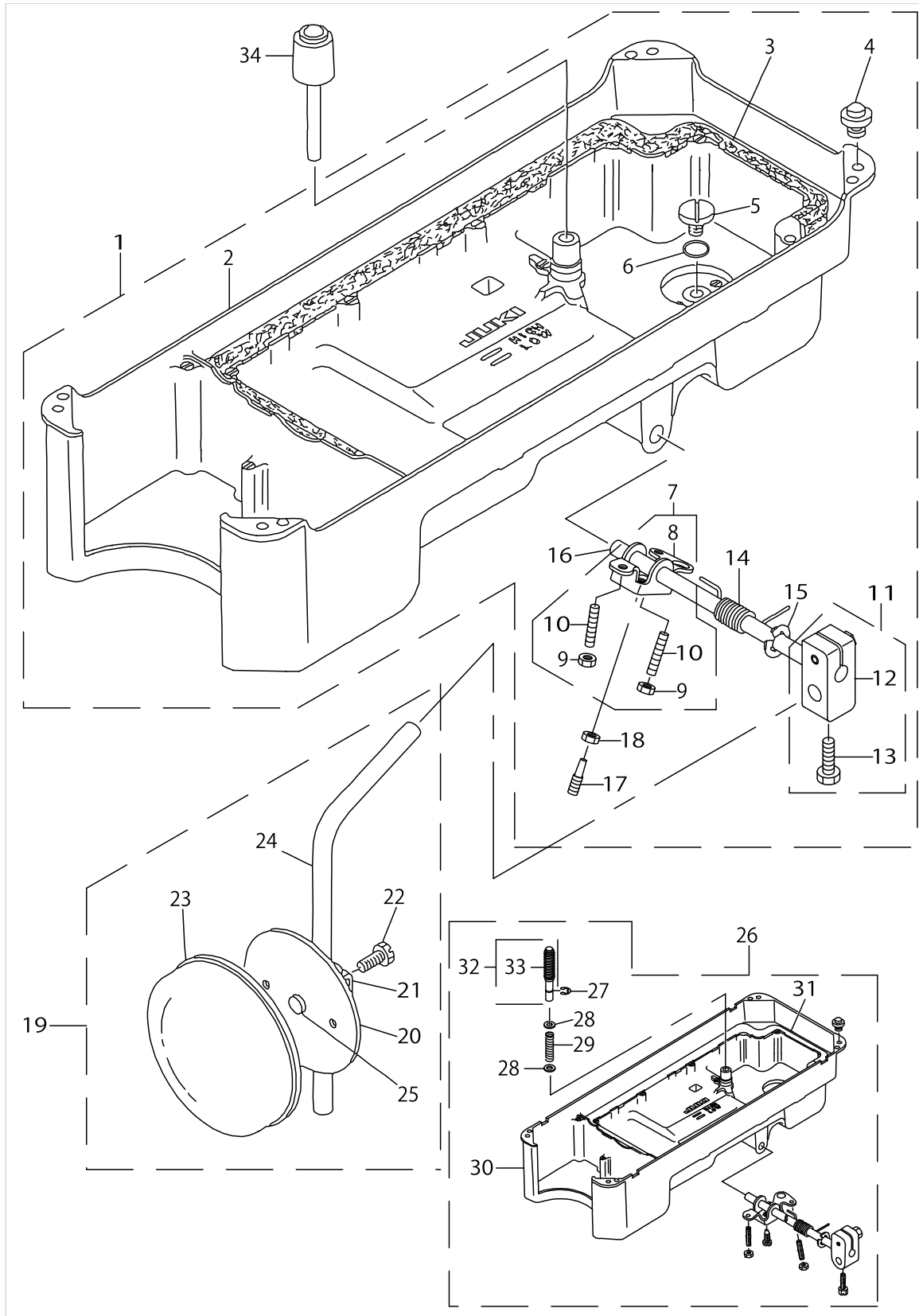
OIL LUBRICATION COMPONENTS



OIL LUBRICATION COMPONENTS

No.	Supply Code	Parts No.	Replacement	Parts name	Remarks	Choice	Step	Level	Cons	Qty	Rep. QTY
1	R	22947006	22924708	OIL SIGHT WINDOW						1	1.00
2		RO195240100		RUBBER RING						1	
3		BT0600402EA		OIL TUBE						.3	
4		SS6080340SP		SCREW 1/8-44 L=2.9						1	
5		11222007		HOLDER						1	
6		SQ1150501SD		CONNECTING SCREW						1	
7		11221652		OIL TUBE ASM.						1	
8		B3404122000		SPRING				*		1	
9		B3536122000		HOLDER				*		1	
10		11221801		HOLDER A				*		1	
11	R	11221702	11039203	FELT B				*		1	1.00
12		11221603		FELT A				*		1	
13		SS4120615SP		SCREW 3/16-28 L=6						2	
14		11221900		OIL FELT PRESSER						1	
15		CQ252000000		OIL WICK						.21	
16	R	11021300	22924500	OIL TUBE						1	1.00
17		22924906		OIL REGULATOR SCREW SPRING						1	
18		22925002		OIL REGULATOR SCREW						1	
19		22923056		OIL PUMP ASM.						1	
20	R	22923312	11392057	OIL PUMP INSTALLING BASE		A	DLD5430	*		1	1.00
20	R	22923312	11404555	OIL PUMP INSTALLING BASE		B	DDL5600/- 8100e, DU1181	*		1	1.00
20	R	22923312	22923056	OIL PUMP INSTALLING BASE		C	DDL8700/- 8300/8500- /900A, DM- N5420/5400	*		1	1.00
21		SL4030851SF		SCREW M3 L=8				*		3	
22		22923908		HOOK DRIVING SH- AFT OILING PIPE				*		1	
23	R	22923015	22923056	OIL PUMP				*		1	1.00
24		22923700		IMPELLER				*		1	
25		22923502		PLUNGER SCREW				*		1	
26		22923601		PLUNGER SPRING				*		1	
27		22923403		PLUNGER				*		1	
28		22923809		PUMP BODY SUPPORT PLATE				*		1	
29		22923205		PUMP BODY COVER				*		1	
30		SE4301041SR		SCREW D=3 L=10				*		3	
31		22924609		RUBBER JOINT						1	
32		11221504		OIL TUBE JOINT						1	
33		SS4151215SP		SCREW 15/64-28L=12	FOR DLU-- 5494N-7-0B,-WB					1	
34		SS6111010TP		SCREW 11/64-40 L=9.5						1	
35		11231503		OIL PUMP SUPPORT						1	
36		WS0451040KP		SPRING WASHER 4.5X8.5X1	FOR DLU-- 5494N-7-0B,-WB					1	
37		WS0651310KP		SPRING WASHER 6.5X11X1.3	FOR DLU-- 5494N-7-0B,-WB					1	
38		SS4150915SP		SCREW 15/64-28 L=9	FOR DLU-- 5494N-7-00,-W0					1	

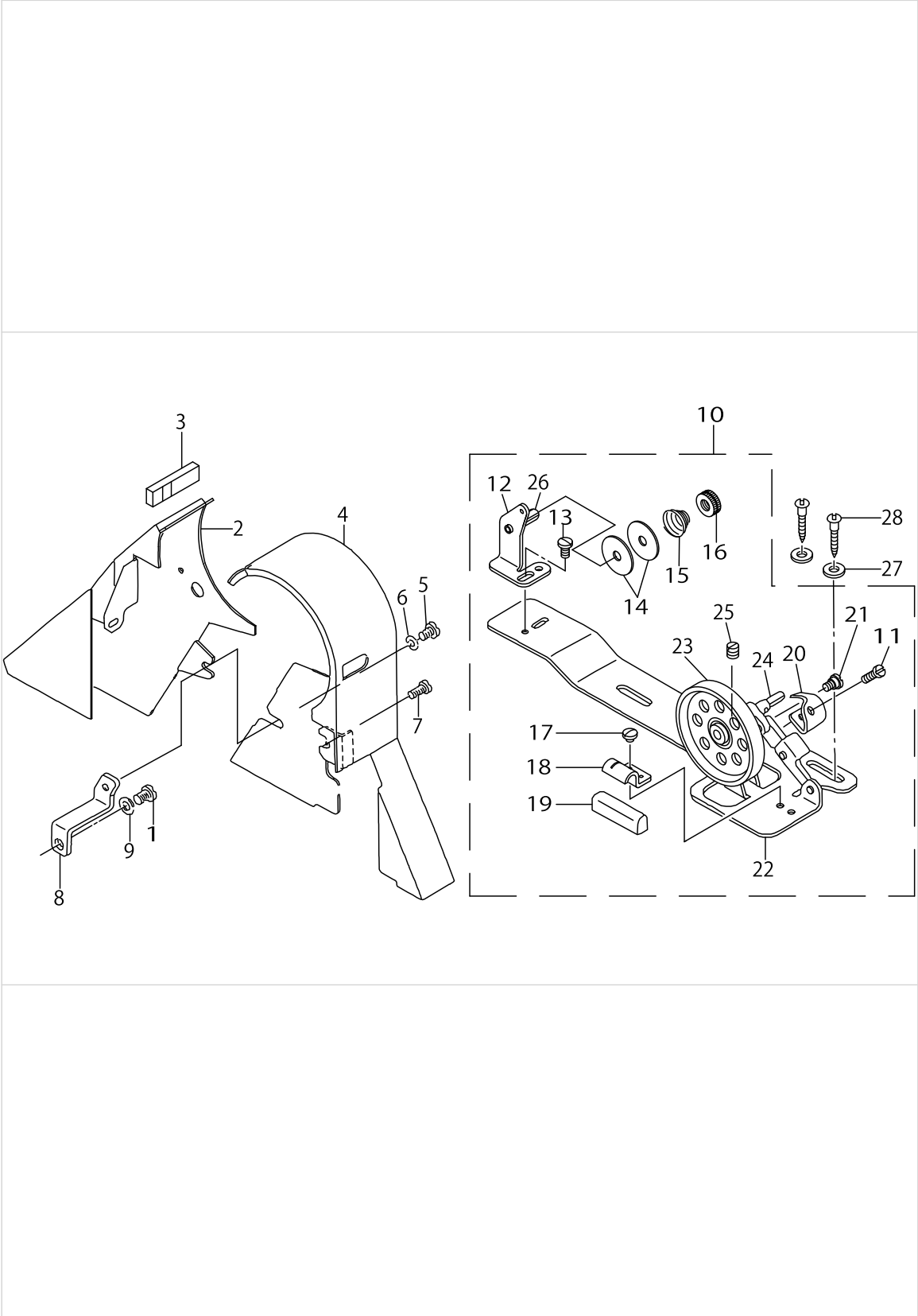
OIL RESERVOIR COMPONENTS



OIL RESERVOIR COMPONENTS

No.	Supply Code	Parts No.	Replacement	Parts name	Remarks	Choice	Step	Level	Cons	Qty	Rep. QTY
1	R	11047057	40102085	OIL RESERVOIR ASM.						1	1.00
2	R	11023017	40102085	OIL RESERVOIR				*		1	1.00
3		11024700		GASKET				*		1	
4		11047107		RUBBER CUSHION				*		4	
5		SS6700710SH		SCREW 5/16-24 L=7				*		1	
6		RO098240100		RUBBER RING				*		1	
7		22932156		KNEE LIFTER ROTATION ARM ASM.				*		1	
8	R	11024015	22932156	CONNECTING ROT VERTICAL				*		1	1.00
9		NM6060001SE		NUT M6				*		2	
10		SM8063012TR		SCREW M6 L=30				*		2	
11		22932453		BRACKET ASM.				*		1	
12	R	11024510	22932453	BRACKET				*		1	1.00
13	R	SM9062053SR	22934707	SCREW M6 L=20				*		2	1.00
14		22932206		SPRING				*		1	
15		RE1000000K0		E-RING 10				*		1	
16		22932305		KNEE PRESS CROSS SHAFT				*		1	
17		SM9061853SR		SCREW M6 L=17.5				*		1	
18		NM6060001SE		NUT M6				*		1	
19	R	11023751	22934251	KNEE PRESS PLATE ASM.						1	1.00
20	R	11023702	22934202	KNEE PRESS PLATE				*		1	1.00
21	R	11023801	22934301	KNEE PRESS PLATE HOLDER				*		1	1.00
22		SM9061203SE		SCREW M6 L=12				*		1	
23	R	B3431552000A	22934509	KNEE PRESS PLATE COVER				*		1	1.00
24	R	B3419122000	22934608	KNEE LIFTER PLATE ROD				*		1	1.00
25	R	11024403	22934400	RUBBER				*		1	1.00
26	R	11141454	40102085	OIL RESERVOIR ASM.	FOR JE					1	1.00
27		RE0400000K0		E-RING 4				*		1	
28		WP0621016SD		WASHER 6.2X13X1				*		2	
29		GAK30005000		SPRING				*		1	
30	R	11141413	40102085	OIL RESERVOIR				*		1	1.00
31	R	11141900	11024700	GASKET				*		1	1.00
32		GAK300010B0		KNEE PRESS LIFTER ROD ASM.				*		1	
33	R	GAK30004000	GAK300010B0	KNEE PRESS LIFTER ROD RUBBER				*		1	1.00
34		22931703		KNEE LIFTER PUSH ROD						1	

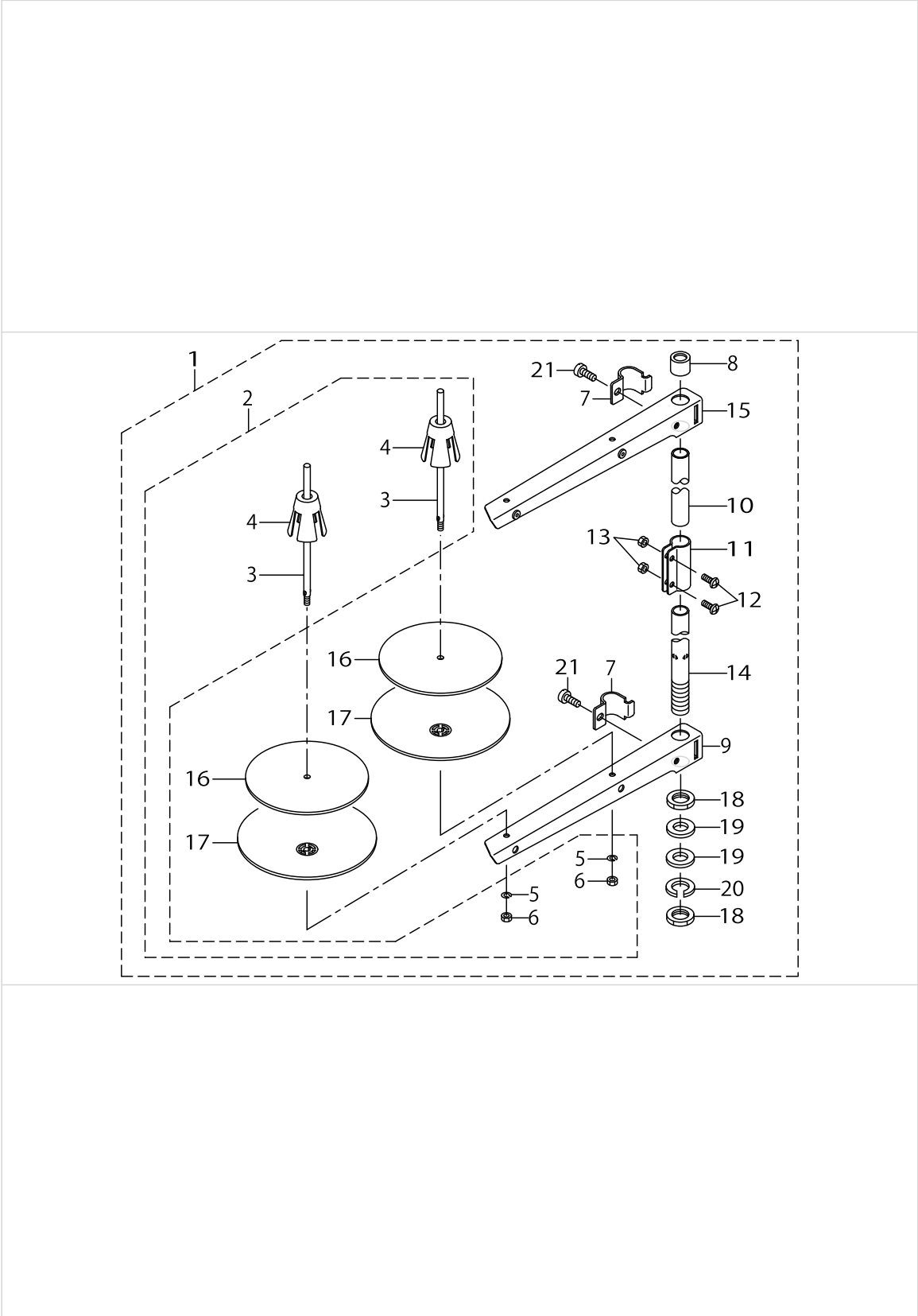
BELT COVER & BOBBIN WINDER COMPONENTS



BELT COVER & BOBBIN WINDER COMPONENTS

No.	Supply Code	Parts No.	Replacement	Parts name	Remarks	Choice	Step	Level	Cons	Qty	Rep. QTY
1		SS4150715SP		SCREW 15/64-28 L=7						1	
2		11280609		BELT COVER A						1	
3		11222908		COVER FELT						1	
4		11280708		BELT COVER B						1	
5		SS7110710SP		SCREW 11/64-40 L=7						1	
6		WP0621016SD		WASHER 6.2X13X1						1	
7		SS7701010SP		SCREW 5/16-24 L=10						1	
8		11278306		BELT COVER STAY						1	
9		WP0480856SP		WASHER 4.8X8.4X0.8						1	
10		22927354		BOBBIN WINDER COMPL.						1	
11		SS7081310SP		SCREW 1/8-44 L=12.5				*		1	
12	R	22928501	11078250	THREAD TENSION POST BASE				*		1	1.00
13		SS4110515SP		SCREW 11/64-40 L=5				*		1	
14	R	22928907	22921506	THREAD TENSION DISK				*		2	1.00
15		22929004		THREAD TENSION SPRING				*		1	
16		22928808		NUT				*		1	
17		SS7110350SP		SCREW 11/64-40 L=3.5				*		1	
18	D	22928402		CONTROL RUBBER HOLDING PLATE				*		1	
19		22928303		CONTROL RUBBER				*		1	
20		22928105		BOBBIN PRESSER				*		1	
21		SD0490261SP		HINGE SCREW D=4.9 H=2.6				*		1	
22	R	22927305	22927354	BOBBIN WINDER BASE				*		1	1.00
23		22927404		BOBBIN WINDER				*		1	
24		22927602		BOBBIN WINDER SPINDLE				*		1	
25	R	SS8110510SP	SS8110520TP	SCREW 11/64-40 L=5				*		1	1.00
26	R	22928709	11078250	THREAD TENSION POST				*		1	1.00
27		WP0450826SC		WASHER 4.5X10X0.8						2	
28	R	SK3412000SC	SK3412000SE	WOOD SCREW D=4.1 L=20						2	1.00

THREAD STAND COMPONENTS



THREAD STAND COMPONENTS

No.	Supply Code	Parts No.	Replacement	Parts name	Remarks	Choice	Step	Level	Cons	Qty	Rep. QTY
1	R	22930358	40096354	THREAD STAND ASM.						1	1.00
2		40062684		SPOOL PIN ASM.				*		1	
3	R	22931000	40085790	SPOOL PIN				*		2	1.00
4	R	22931109	40085791	SPOOL RETAINER				*		2	1.00
5		WS0510002KN		SPRING WASHER				*		2	
6		NM6050001SE		NUT M5				*		2	
7	R	22930705	40096354	THREAD GUIDE ARM JOINT				*		2	1.00
8		22931406		SPOOL REST ROD RUBBER CAP				*		1	
9	R	22930507	40096354	SPOOL REST ARM				*		1	1.00
10	R	22930408	40096354	SPOOL REST ROD UPPER				*		1	1.00
11	R	22931307	40096354	SPOOL REST ROD JOINT				*		1	1.00
12		SM4051405SE		SCREW M5 L=14				*		2	
13		NM6050001SE		NUT M5				*		2	
14	R	22930309	40096354	SPOOL REST ROD LOWER				*		1	1.00
15	R	22930556	40096354	THREAD STANDING ARM ASM.				*		1	1.00
16		22930903		SPOOL REST CUSHION				*		2	
17		22930804		SPOOL REST				*		2	
18		NM6160511SE		NUT M16X1.5				*		2	
19		WP1612616SE		WASHER 16X30X2.6				*		2	
20	R	WS1643202KR	WP1612616SE	SPRING WASHER		A		*		1	2.00
20	R	WS1643202KR	40085796	SPRING WASHER		A		*		1	2.00
21		SM6061610SC		SCREW M6 L=16				*		2	

LIST FOR INFORMATION OF CHANGE (1)

As to the place changed, refer to the corresponding Rev.No.
 When previous parts(Obsoleted part)and new parts(Added parts)are
 not interchangeable with each other:
 In this case,even obsoleted parts(D.)can be ordered with the
 obsoleted part number,so select the parts with changed dates and
 place your orders.

変更箇所は、該当Rev.No.版をご参照ください。
 部品の互換性がない変更の場合は、削除された品番でも、ご注文できます。

29122108
 No.0912-07 Rev.No.

*A:Added parts追加部品/D:Obsoleted parts削除部品/E:Erratum訂正

* Rev. No.	Page 頁	Ref. No.	Parts No. 品番	* Rev. No.	Page 頁	Ref. No.	Parts No. 品番
D 06	2	81	111-00104	A 07	2	81	400-93432
				A 07	2	97	401-16677
D 06	4	4	110-39070	A 07	4	4	229-18072
D 06	4	5	110-39062	A 07	4	5	229-18064
D 06	4	6	B1905-541-B00	A 07	4	9	229-18403
				A 07	4	10	229-18502
				A 07	4	11	229-18601
				A 07	4	12	229-18700
D 06	4	7	110-05204	A 07	4	7	229-18106
D 06	4	8	B1408-552-000	A 07	4	8	229-06606
D 06	4	9	B1903-552-000	A 07	4	6	229-18304
D 06	4	10	112-02173	A 07	4	13	400-95789
D 06	4	21	110-02508	A 07	4	21	401-05231
D 06	8	6	110-06350	A 07	8	9	229-08156
				A 07	8	6	112-71053
D 06	8	8	110-06905	A 07	8	8	229-08305
D 06	10	31	110-08703	A 07	10	31	400-89548
D 06	10	32	110-08604	A 07	10	32	400-93417
				A 07	12	52	112-10051
D 06	12	54	110-08703	A 07	12	71	400-89548
D 06	16	13	110-42553	A 07	16	13	229-50257
D 06	16	14	110-42504	A 07	16	14	229-50208
D 06	16	15	110-42652	A 07	16	15	229-50356
D 06	17	2	110-72501	A 07	17	2	229-54606
D 06	17	4	111-02001	A 07	17	4	229-54101
D 06	17	5	111-02100	A 07	17	5	229-54200
D 06	17	6	111-02209	A 07	17	6	229-54309
D 06	17	23	112-28459	A 07	17	23	401-08027
D 06	17	25	112-27600	A 07	17	25	401-07992
D 06	17	29	112-28400	A 07	17	29	400-90751
D 06	17	30	HK-0346400-0B				
D 06	22	6	RO-1082401-00	A 07	22	6	RO-0982401-00
				A 07	22	7	229-32156
D 06	22	8	110-24106	A 07	22	14	229-32206
				A 07	22	11	229-32453
D 06	22	15	110-24205	A 07	22	16	229-32305

HOW TO MAKE USE OF THIS PARTS LIST

1.Explanation of codes

1)"*"mark.....means this part is changed from the previous parts book.

As to the details of the change, refer to the "List for information of change".

2)"#01".....refer to "Note" explanation at bottom of page.

2.Codes on the "Qty" column

- Each numeral indicates the number of parts required.
- "0.1" and "2.5" indicate the length (in meters) of the respective parts.

3.Parentheses mean that the corresponding part is a subpart that constructs an assembly part.

4.Dotted lines on the Figures indicate assembly parts.

1."注記"欄の記号説明

1) "*"印.....前回のパーツブックに比較して今回変更された部品を意味します。

変更内容は、"変更情報リスト"を参照してください。

2) "#01".....ページ下の"注記"の説明を参照してください。

2.数量欄の数字は、個数を表し、0.1、2.5等の数値は、長さ（単位メートル）を表します。

3.数量欄の（ ）は、組部品を構成している子部品であることを意味します。

4.イラストページの-----枠は、組構成であることを意味します。

NUMERICAL INDEX OF PARTS

PART NO	PAGE	REF NO.	PART NO	PAGE	REF NO.	PART NO	PAGE	REF NO.
11000619	2	19	11091907	18	21	11210705	24	50
11001609	4	52	11100500	28	49	11210754	24	49
11002409	8	20	11101300	34	17	11210804	24	48
11004207	10	26	11101508	34	18	11210903	24	64
11004306	10	25	11102308	34	12	11211000	22	44
11008000	8	45	11141207	12	47	11211109	28	58
11008059	8	43	11141355	12	48	11214004	22	43
11008109	8	26	11141413	40	30	11214103	22	22
11010303	18	20	11141454	40	26	11214152	22	21
11014156	20	55	11141900	40	31	11214202	24	69
11015906	10	38	11200201	2	38	11214301	22	20
11017357	8	2	11200300	2	41	11214400	22	29
11021300	38	16	11200409	2	42	11214509	22	40
11023017	40	2	11200607	2	15	11214608	22	28
11023702	40	20	11200805	2	43	11214756	22	31
11023751	40	19	11202009	8	3	11214806	22	36
11023801	40	21	11202116	8	15	11214905	22	37
11024015	40	8	11202207	8	25	11215019	22	34
11024403	40	25	11202306	8	27	11215118	22	32
11024510	40	12	11204013	16	53	11215258	16	48
11024700	40	3	11204112	14	33	11216009	22	3
11030301	6	94	11204161	14	30	11216157	22	1
11035003	10	3	11204211	14	31	11216306	24	65
11038650	10	41	11204302	14	34	11216405	22	12
11038759	10	43	11204401	14	40	11216504	22	11
11038809	10	32	11204559	14	23	11216603	22	5
11040052	30	5	11204609	14	24	11216652	22	4
11040201	30	7	11205002	14	27	11216702	22	25
11040854	30	45	11205218	14	5	11216801	14	39
11040953	30	44	11205309	14	12	11216801	22	7
11042207	32	50	11205408	14	13	11217114	14	45
11042959	30	21	11205507	16	69	11217213	14	44
11043007	32	60	11206000	18	16	11217353	14	29
11043205	32	52	11206208	18	4	11217601	14	41
11043304	32	57	11206307	18	6	11220001	16	57
11043403	32	54	11206406	18	8	11220100	14	17
11043908	32	53	11206463	18	2	11220209	4	70
11043957	32	49	11210002	24	54	11220308	16	56
11044054	32	64	11210051	24	52	11221504	38	32
11046000	16	66	11210119	22	14	11221603	38	12
11047057	40	1	11210200	22	16	11221652	38	7
11047107	40	4	11210325	24	58	11221702	38	11
11071453	8	34	11210408	24	61	11221801	38	10
11071909	18	13	11210507	24	60	11221900	38	14
11091204	18	22	11210614	24	63	11222007	38	5

NUMERICAL INDEX OF PARTS

PART NO	PAGE	REF NO.	PART NO	PAGE	REF NO.	PART NO	PAGE	REF NO.
11222908	42	3	11274206	26	42	22910350	20	53
11225356	8	36	11274313	26	18	22910806	18	34
11226016	10	11	11274552	26	2	22910905	18	30
11226107	10	4	11274602	26	5	22910905	24	57
11230117	16	52	11274701	26	1	22911002	20	50
11230562	16	61	11274800	26	37	22911002	24	55
11230802	14	15	11274859	26	34	22911101	18	17
11231503	38	35	11275005	14	43	22911101	22	18
11232055	30	1	11275351	2	30	22911804	18	10
11232105	30	3	11275450	2	33	22912000	18	12
11233053	36	18	11275609	2	11	22912109	18	11
11233202	36	15	11275757	2	8	22912901	20	49
11233251	36	24	11275807	2	7	22913008	18	44
11233301	36	7	11275906	2	2	22915003	18	19
11233400	36	4	11276102	4	84	22915201	20	47
11233657	36	13	11278306	42	8	22915359	20	59
11234150	36	12	11280252	4	47	22916001	10	31
11234408	36	6	11280369	2	34	22916308	10	34
11234507	36	16	11280401	28	51	22916555	10	37
11234606	36	8	11280609	42	2	22917058	10	35
11240108	12	46	11280708	42	4	22917157	10	29
11255809	2	14	11281458	26	20	22918064	8	5
11256252	8	30	11281557	26	26	22918072	8	4
11257359	4	62	11281656	2	1	22918106	8	7
11257607	34	11	11281755	4	87	22918304	8	6
11257755	34	1	11331402	2	46	22918403	8	9~12
11258001	36	2	11415205	4	86	22918502	8	9~12
11258159	36	1	22900401	2	18	22918601	8	9~12
11271004	14	10	22900609	2	25	22918700	8	9~12
11271053	14	6	22900757	2	40	22919203	8	29
11271103	14	35	22901003	4	54	22920409	16	55
11271202	14	36	22901250	4	50	22920508	4	60
11271301	14	21	22901409	10	1	22920805	10	8
11272051	28	50	22901805	2	23	22921001	4	61
11272408	26	45	22904155	8	23	22921209	4	68
11272507	28	47	22905004	10	24	22921308	4	63
11272614	26	46	22906101	10	2	22921407	4	64
11272952	26	16	22906200	10	9	22921506	4	67
11273000	26	17	22906457	10	5	22921605	4	69
11273158	26	13	22906606	8	8	22921704	4	65
11273307	26	12	22907802	14	2	22921803	4	66
11273406	18	9	22908156	14	9	22923015	38	23
11273505	26	11	22908305	14	8	22923056	38	19
11274008	28	57	22908552	14	4	22923205	38	29
11274156	26	43	22908909	14	16	22923312	38	20

NUMERICAL INDEX OF PARTS

PART NO	PAGE	REF NO.	PART NO	PAGE	REF NO.	PART NO	PAGE	REF NO.
22923403	38	27	22941306	18	25	40089548	24	71
22923502	38	25	22942601	10	40	40090058	10	7
22923601	38	26	22944508	16	60	40090751	34	29
22923700	38	24	22944607	16	63	40093417	18	32
22923809	38	28	22945414	4	76	40093432	4	81
22923908	38	22	22945463	4	75	40095789	8	13
22924609	38	31	22945505	4	79	40105231	8	21
22924906	38	17	22945604	4	77	40107992	34	25
22925002	38	18	22945703	4	80	40108027	34	23
22927305	42	22	22945802	4	78	40116677	6	97
22927354	42	10	22947006	38	1	B1109450B0B	4	56
22927404	42	23	22947907	30	6	B1110012000	4	51
22927602	42	24	22948301	30	35	B1114012000	2	27
22928105	42	20	22948400	30	37	B1191490000	4	57
22928303	42	19	22949002	30	43	B1211980000	28	52
22928402	42	18	22949101	30	40	B1213552000A	8	40
22928501	42	12	22949200	30	41	B1215552000	8	42
22928709	42	26	22949309	30	38	B1226552000	8	28
22928808	42	16	22949408	30	29	B1242980000	28	54
22928907	42	14	22949754	30	24	B13050120A0	10	15
22929004	42	15	22949762	30	23	B13061550A0	10	17
22930309	44	14	22950000	30	26	B13061550B0	10	14
22930358	44	1	22950109	30	31	B13061550C0	10	13
22930408	44	10	22950208	30	14	B13071550A0	10	20
22930507	44	9	22950257	30	13	B13071550B0	10	19
22930556	44	15	22950356	30	15	B13081550A0	10	22
22930705	44	7	22950703	30	25	B1505227000A	14	25
22930804	44	17	22950851	30	19	B1521555000	14	1
22930903	44	16	22954101	34	4	B1524491BB0	14	46
22931000	44	3	22954200	34	5	B1609804B00	22	2
22931109	44	4	22954309	34	6	B1613450A00	18	26
22931307	44	11	22954606	34	2	B1641490000	28	53
22931406	44	8	22954705	2	17	B1644490000	28	55
22931703	40	34	22962500	34	20	B1808552000	10	39
22932156	40	7	22962609	34	22	B3016450000A	22	41
22932206	40	14	22962708	30	11	B3026490B00	22	38
22932305	40	16	22962807	16	64	B3118552C00	4	74
22932453	40	11	40010395	18	29	B3404122000	38	8
22932909	10	42	40032986	26	9	B3419122000	40	24
22935407	4	55	40034156	26	7	B3431552000A	40	23
22937965	8	37	40062684	44	2	B3536122000	38	9
22940654	18	39	40078218	22	15	B412352200B	24	67
22940753	18	24	40080424	18	15	BT0600402EA	38	3
22940803	18	37	40087245	30	30	CM300200001	6	93
22940951	18	33	40089548	18	31	CM301300001	6	95

NUMERICAL INDEX OF PARTS

PART NO	PAGE	REF NO.	PART NO	PAGE	REF NO.	PART NO	PAGE	REF NO.
CQ252000000	38	15	MDB100B1400	12	49	SD0460703TP	30	2
CS064061ASP	14	19	MDP500B1400	12	45	SD0490261SP	42	21
CS120101BSH	22	45	NM6040000SN	32	56	SD0500095TH	30	4
CS147121ASH	18	57	NM6040001SD	24	68	SD0550212TP	2	12
CS147121ASH	20	57	NM6050001SE	44	13	SD0550212TP	36	9
D2104490D00	36	11	NM6060001SE	40	18	SD0600322SD	16	70
D2406555D0H	30	10	NM6160511SE	44	18	SD0600361SP	32	62
D2464555B00	34	31	NS6110420SP	34	34	SD0630275SP	30	18
D2468555B00	34	28	NS6120310SP	22	24	SD0640321SP	26	6
D2611555B00A	26	38	NS6150430SP	30	33	SD0640451TP	22	8
E8760452G00	26	31	NS6620310SP	16	59	SD0640631TP	32	48
E8760452H00	2	3	NS6620310SP	22	62	SD0641451SP	30	17
E8760452M00	26	22	NS6620310SP	24	62	SD0700451TP	34	16
GAK300010B0	40	32	NS6660410SH	32	58	SD0700711TP	34	21
GAK30004000	40	33	NS6660430SP	32	59	SD0720331SP	14	18
GAK30005000	40	29	NS6680410SP	20	52	SD0870401SP	26	15
HA000590000	36	19	RC0150001KP	18	38	SD1000801SH	20	48
HA001900000	34	13	RC0260415KP	16	51	SE4301041SR	38	30
HD000570000	26	36	RC0330415KP	22	35	SK3412000SC	42	28
HK011610030	26	29	RC1850001KP	8	22	SL4030621SS	36	3
HK011640000	26	32	RE0300000K0	36	17	SL4030641SE	36	23
HK034610020	2	6	RE0400000K0	14	54	SL4030851SF	38	21
HK034610040	26	27	RE0400000K0	16	54	SL4031081SF	26	35
HK034610060	26	23	RE0400000K0	30	39	SL4051001MZ	8	39
HK034610140	30	46	RE0400000K0	34	30	SM4031501SC	34	8
HK034620020	4	88	RE0400000K0	40	27	SM4040655SP	34	3
HK034630000	4	89	RE0500000K0	14	14	SM4041655SP	34	7
HK03464000B	2	92	RE0500000K0	18	28	SM4051405SE	44	12
HK03464000B	6	92	RE0500000K0	30	51	SM6061610SC	44	21
HK03464000B	26	28	RE0500000K0	32	51	SM8063012TR	40	10
HK03464000B	32	65	RE0500000KP	34	19	SM9061203SE	40	22
HK03464000B	34	10	RE0600000K0	30	34	SM9061853SR	40	17
HK03464000B	36	22	RE0700000K0	22	10	SM9062053SR	40	13
HM001020000	26	21	RE0900000K0	36	14	SQ1150501SD	38	6
HW000880030	26	30	RE1000000K0	40	15	SS1120710SP	2	44
HW200390000	36	20	RE1200000K0	34	26	SS2060210SP	30	8
HW500070000	6	91	RO029180100	8	41	SS2090810SP	14	38
HW500070000	34	9	RO037180100	14	3	SS2110915SP	4	58
HW500070000	36	21	RO044240100	8	18	SS4080620TP	14	32
HX000430000	8	38	RO069180100	2	32	SS4080620TP	18	27
M40071100AA	8	35	RO069180100	28	56	SS4080620TP	30	9
MAT81126T00	2	90	RO092270200	18	14	SS4090815SP	24	59
MAT81126T00	6	90	RO098240100	40	6	SS4110515SP	16	68
MC200500750	10	44	RO133170100	4	72	SS4110515SP	18	23
MDB100B1100	10	12	RO195240100	38	2	SS4110515SP	42	13

NUMERICAL INDEX OF PARTS

PART NO	PAGE	REF NO.	PART NO	PAGE	REF NO.	PART NO	PAGE	REF NO.
SS4110615SP	26	41	SS6121220TP	22	66	SS8660530TP	24	53
SS4110715SP	30	28	SS6121220TP	24	66	SS8660610TP	8	24
SS4110915TP	10	33	SS6121250TP	22	6	SS8660610TP	20	58
SS4110915TP	26	19	SS6121250TP	28	59	SS8660810TP	10	23
SS4120615SP	2	96	SS6121610SP	20	54	SS8681650TP	8	16
SS4120615SP	4	96	SS6121840SP	28	48	SS9660910SP	26	44
SS4120615SP	6	96	SS6121860SP	20	61	TA0750404R0	2	35
SS4120615SP	16	67	SS6660610TP	30	20	TA0850604R0	2	28
SS4120615SP	38	13	SS6661110SP	8	44	TA0850604R0	22	27
SS4120915SP	2	85	SS6700710SH	40	5	TA1250406R0	2	49
SS4120915SP	4	85	SS7080510TP	10	10	TA1250406R0	4	49
SS4120915SP	10	28	SS7081310SP	42	11	TA1250705R0	2	29
SS4120915SP	26	10	SS7090410SP	36	10	TA1470702R0	2	21
SS4120915SP	34	15	SS7090610SP	30	42	TA1470704R0	2	20
SS4121015SP	36	26	SS7090620TP	14	20	TA1750502R0	26	33
SS4121415SP	2	37	SS7090910TP	22	70	TA2101002R0	2	82
SS4150715SP	42	1	SS7090910TP	24	70	TA2101002R0	4	82
SS4150915SP	32	47	SS7110350SP	42	17	WP0450000SD	32	55
SS4150915SP	34	32	SS7110570SP	22	19	WP0450801SD	8	32
SS4150915SP	38	38	SS7110710SP	42	5	WP0450826SC	42	27
SS4151215SP	32	63	SS7110740TP	16	65	WP0460556SD	26	25
SS4151215SP	38	33	SS7110740TP	18	42	WP0480856SP	18	41
SS6060210SP	4	53	SS7110740TP	34	24	WP0480856SP	42	9
SS6080340SP	38	4	SS7111120SP	20	60	WP0553216SD	34	14
SS6080410SP	2	39	SS7111810SP	14	37	WP0621016SD	40	28
SS6090510SP	30	16	SS7121410SP	26	14	WP0621016SD	42	6
SS6090620TP	18	51	SS7121410TP	18	40	WP0621016SH	30	32
SS6090620TP	20	51	SS7121610SP	20	56	WP0650816SP	14	26
SS6090630SP	22	13	SS7620750SP	26	60	WP0661016SP	14	28
SS6090650SP	8	19	SS7620750SP	28	60	WP0722316SH	34	33
SS6090670TP	10	6	SS7681650TP	8	14	WP1221016SP	36	5
SS6090670TP	18	7	SS7701010SP	42	7	WP1612616SE	44	19
SS6110420TP	10	30	SS8090410SP	4	71	WP1703001SC	34	27
SS6110480SP	14	22	SS8110410TP	10	36	WS0451040KP	38	36
SS6110610TP	2	45	SS8110422TP	16	50	WS0510002KN	44	5
SS6110610TP	22	39	SS8110510SP	42	25	WS0651310KP	38	37
SS6110710TP	32	61	SS8110520TP	30	22	WS1643202KR	44	20
SS6110710TP	36	25	SS8120410SP	22	26	WT0530002KS	4	83
SS6111010TP	38	34	SS8120740SP	24	56			
SS6111040SP	2	9	SS8150410TP	22	30			
SS6111210SP	8	31	SS8150710SP	4	73			
SS6121010SP	2	31	SS8150710TP	18	35			
SS6121010SP	26	3	SS8151150SP	8	1			
SS6121220TP	16	49	SS8151550SP	8	33			
SS6121220TP	18	5	SS8660410SP	24	46			