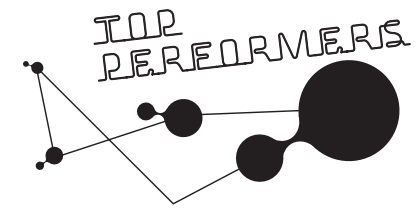
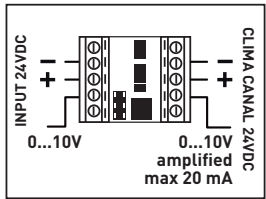
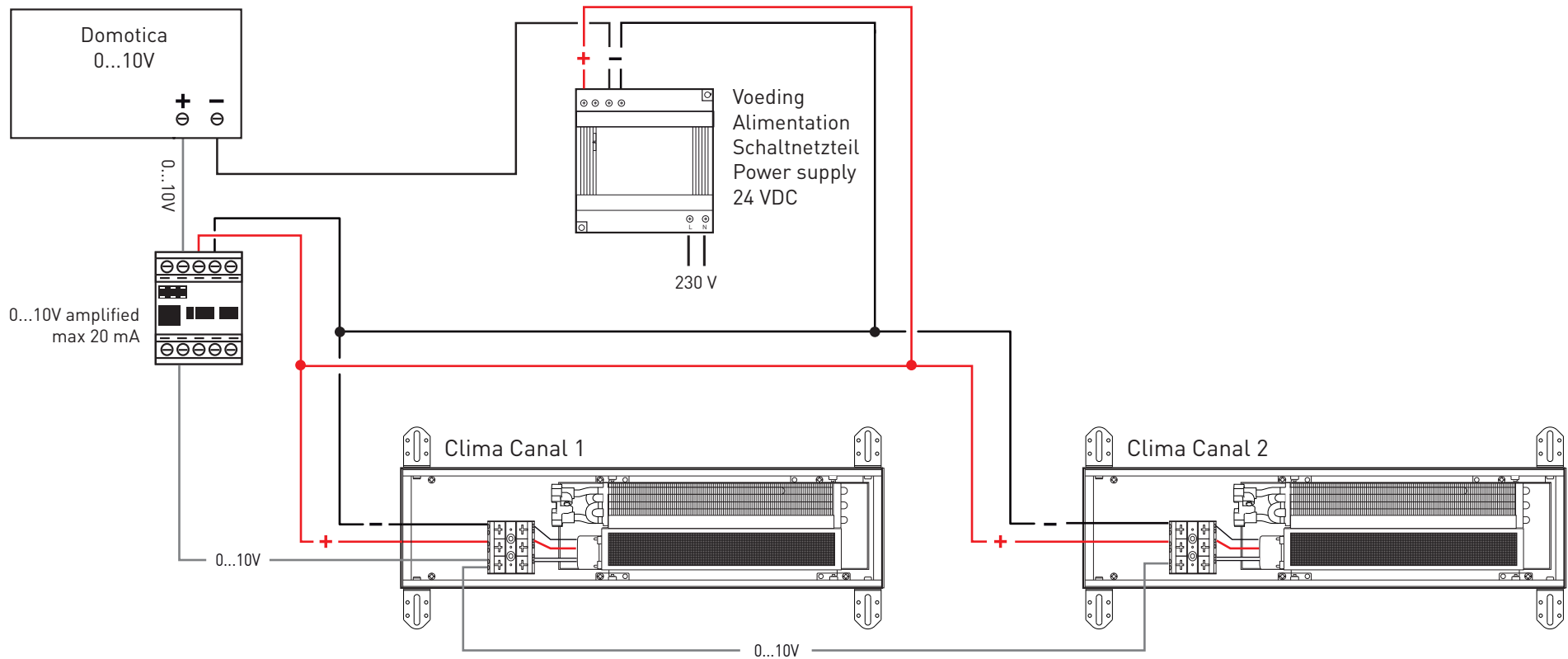


Amplifier 0...10V via Domotica

Aansluiting / Connexion / Verbindung / Connection



0...10V Amplified_Domotoca

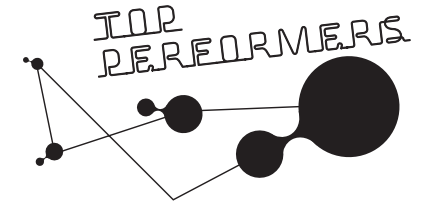


! 1 motor = 0,5mA.
1 Amplifier = 20mA
20mA = 40 motoren

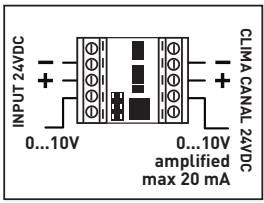
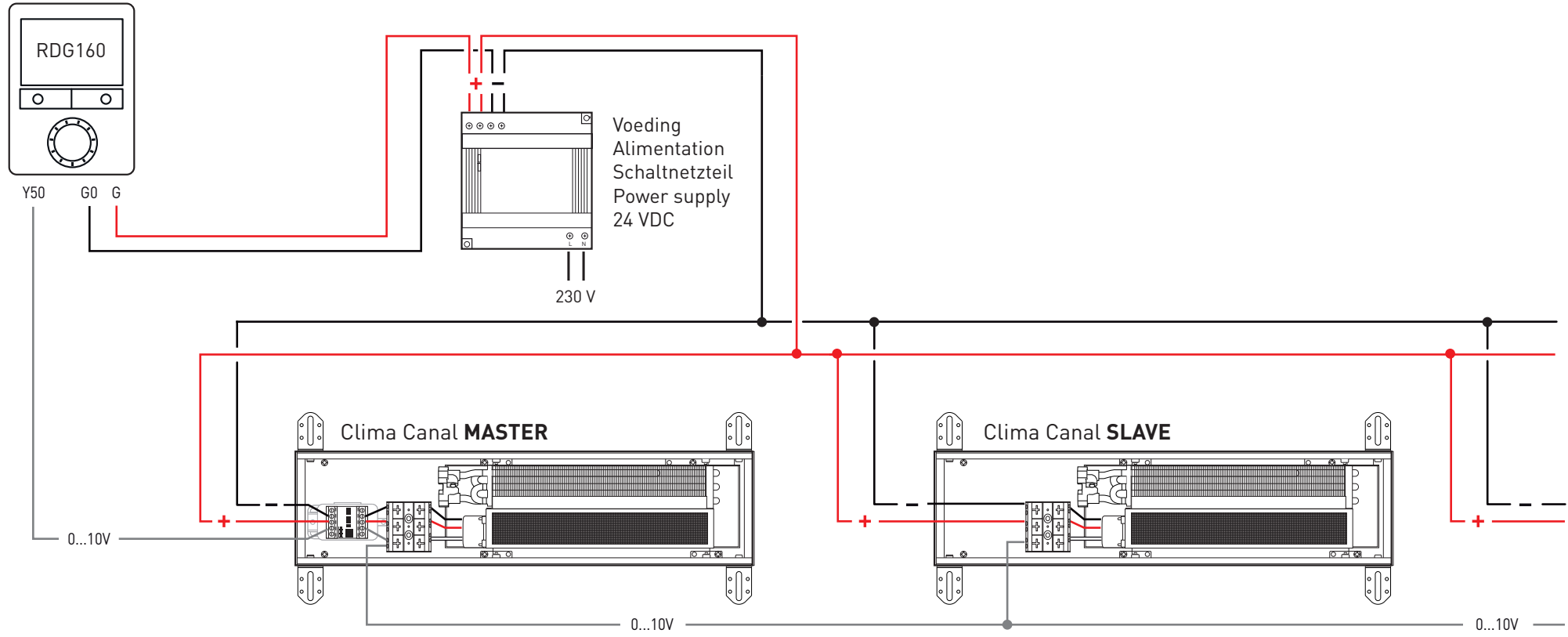


Amplifier 0...10V via RDG160

Aansluiting / Connexion / Verbindung / Connection



0...10V Amplified_via RDG160



1 motor = 0,5mA.
 1 Amplifier = 20mA
 20mA = 40 motoren