

MODEL : AMS-215CSB-5000/CSL/CHB/CGB/CHL/CGL/CST/CHT
List No : 0964-00

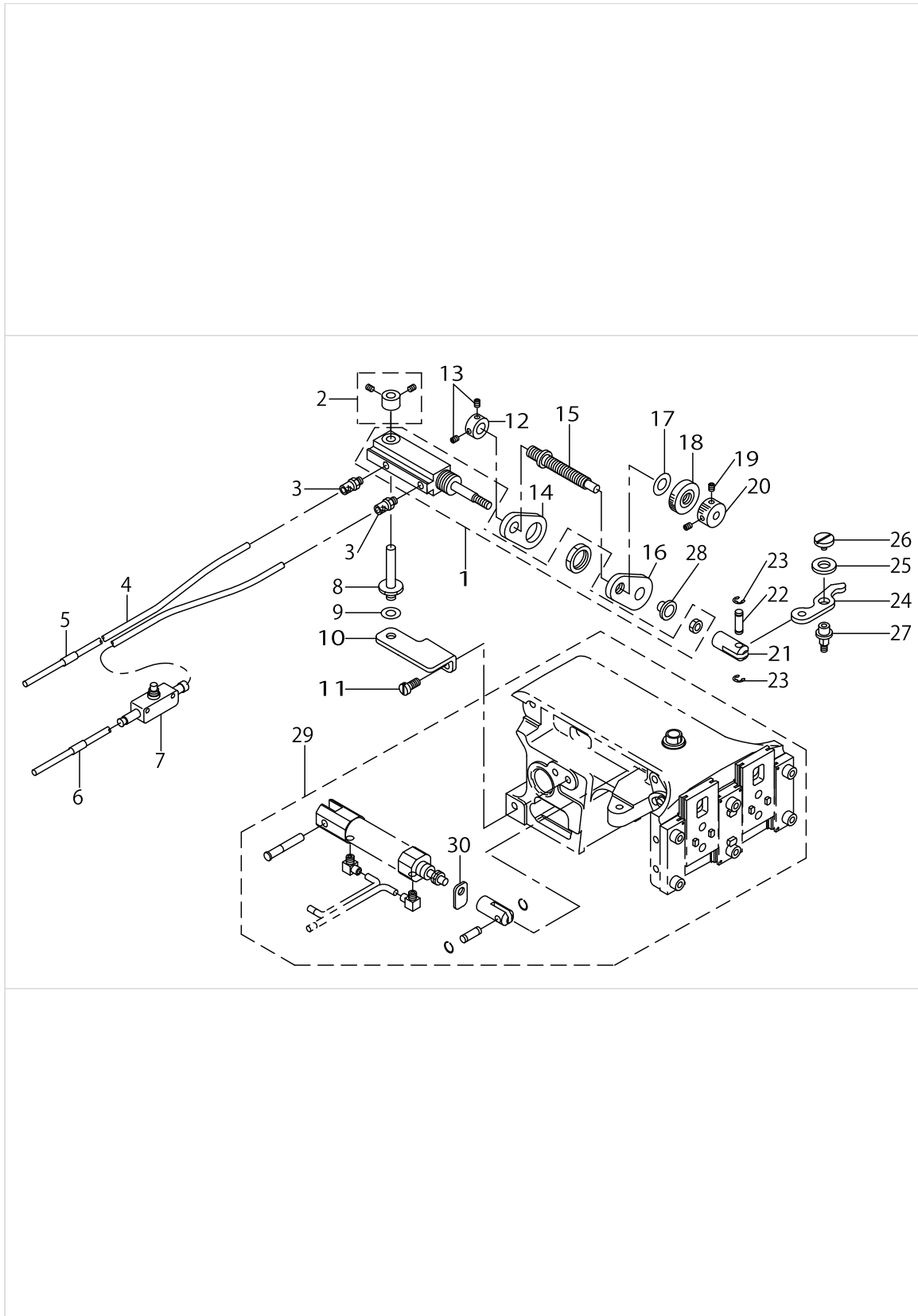
PARTS LIST

Published:05/12/2017

CONTENTS

CLOTH FEED MECHAINISM COMPONENTS	1
PNEUMATIC COMPONENTS	3
CLOTH FEED MECHAINISM COMPONENTS	5
PNEUMATIC COMPONENTS	7
ACCESSORIE PART COMPONENETS	9
CLOTH FEED MECHAINISM COMPONENTS	11
PNEUMATIC COMPONENTS	15
NEEDLE BAR, PRESSER MECHAINISM & ACCESSORIE PART COMPONENETS	17
HOW TO MAKE USE OF THIS PARTS LIST	19

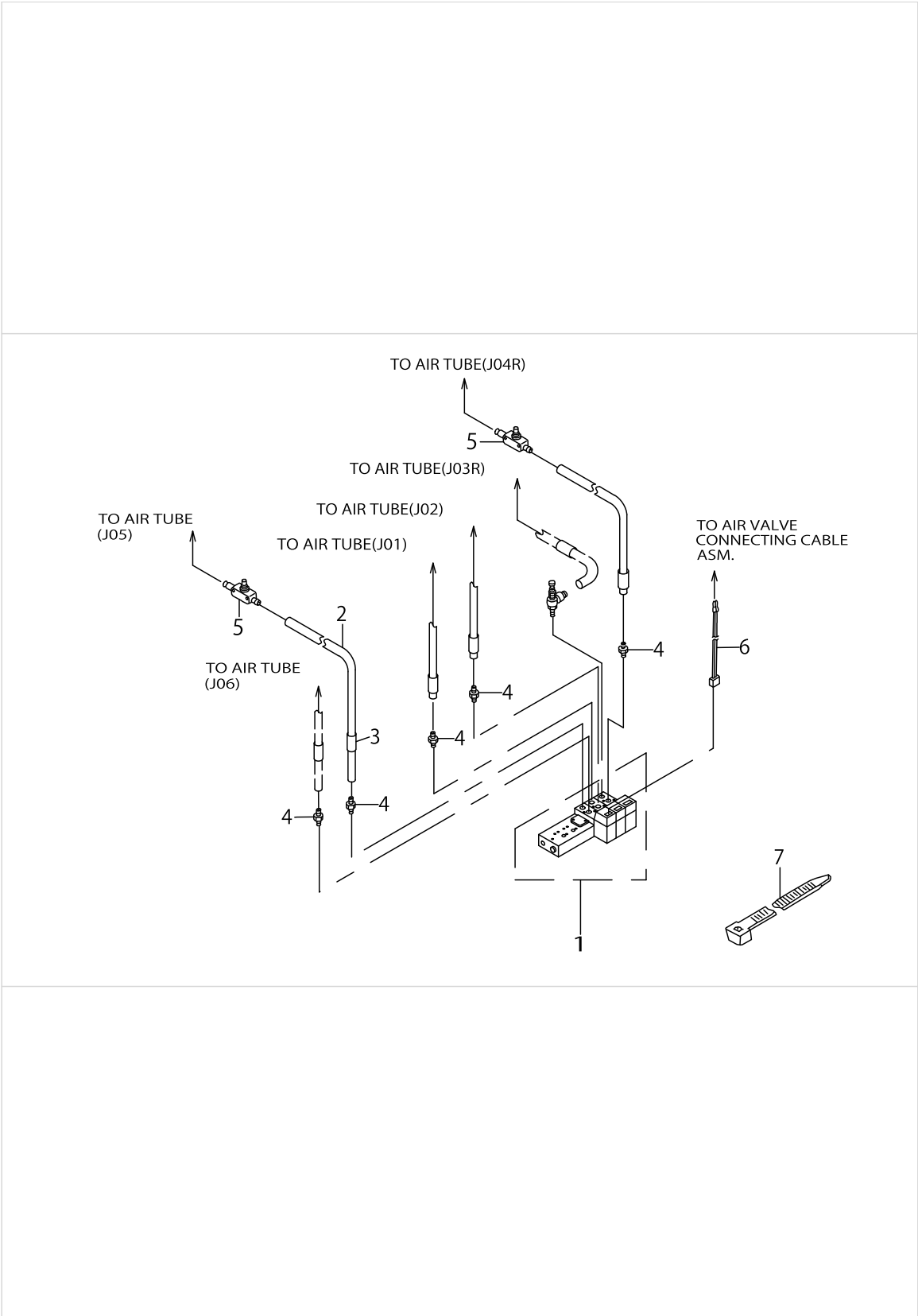
CLOTH FEED MECHANISM COMPONENTS



CLOTH FEED MECHANISM COMPONENTS

No.	Supply Code	Parts No.	Replacement	Parts name	Remarks	Choice	Step	Level	Cons	Qty	Rep. QTY
1		PA1602510A0		AIR CYLINDER						1	
2		B25792290A0		THRUST BEARING						1	
3		PJ032052503		HOSE NIPPLE						2	
4		BT0400251EB		URETHANE HOSE, BLACK						1.5	
5		B471122000E		AIR TUBE LABEL J05						1	
6		B471122000F		AIR TUBE LABEL J06						1	
7		PC012401000		SPEED CONTROLLER						1	
8		B2528215000		SHAFT						1	
9		WP0650876SD		WASHER 6.5X13X0.8						1	
10		B2514215000		INSTALLING PLATE						1	
11		SS6121010SP		SCREW 3/16-28 L=10						2	
12	R	CS0790731SH	CS079073ASH	THRUST COLLAR						1	1.00
13		SS8110422TP		SCREW 11/64-40 L=4						2	
14		B2518215000		BRACKET						1	
15		B2527215000		REGULATION SCREW						1	
16		B2518215A00		REGULATION PLATE						1	
17		WP0820816SD		WASHER 8.2X16X0.8						1	
18		B3012816000		NUT						1	
19		SS8110422TP		SCREW 11/64-40 L=4						2	
20		B2304205000		KNOB						1	
21		B1625220000		CYLINDER KNUCKLE						1	
22		B1626220000		CYLINDER PIN						1	
23		RE0300000K0		E-SHAPED SNAP RING (3MM)						2	
24		B2516215000		LEVER						1	
25	R	B185351200EA	B185351200E	SPACER						1	1.00
26		SS6110520TP		SCREW 11/64-40 L=4.5						1	
27		B3012490000		DRIVING LINK SHAFT						1	
28		B2548215000		BUSHING						1	
29		B25502150AB		CLOTH FEED BASE ASM.						1	
30		B2530215000		PRESSER PLATE				*		1	

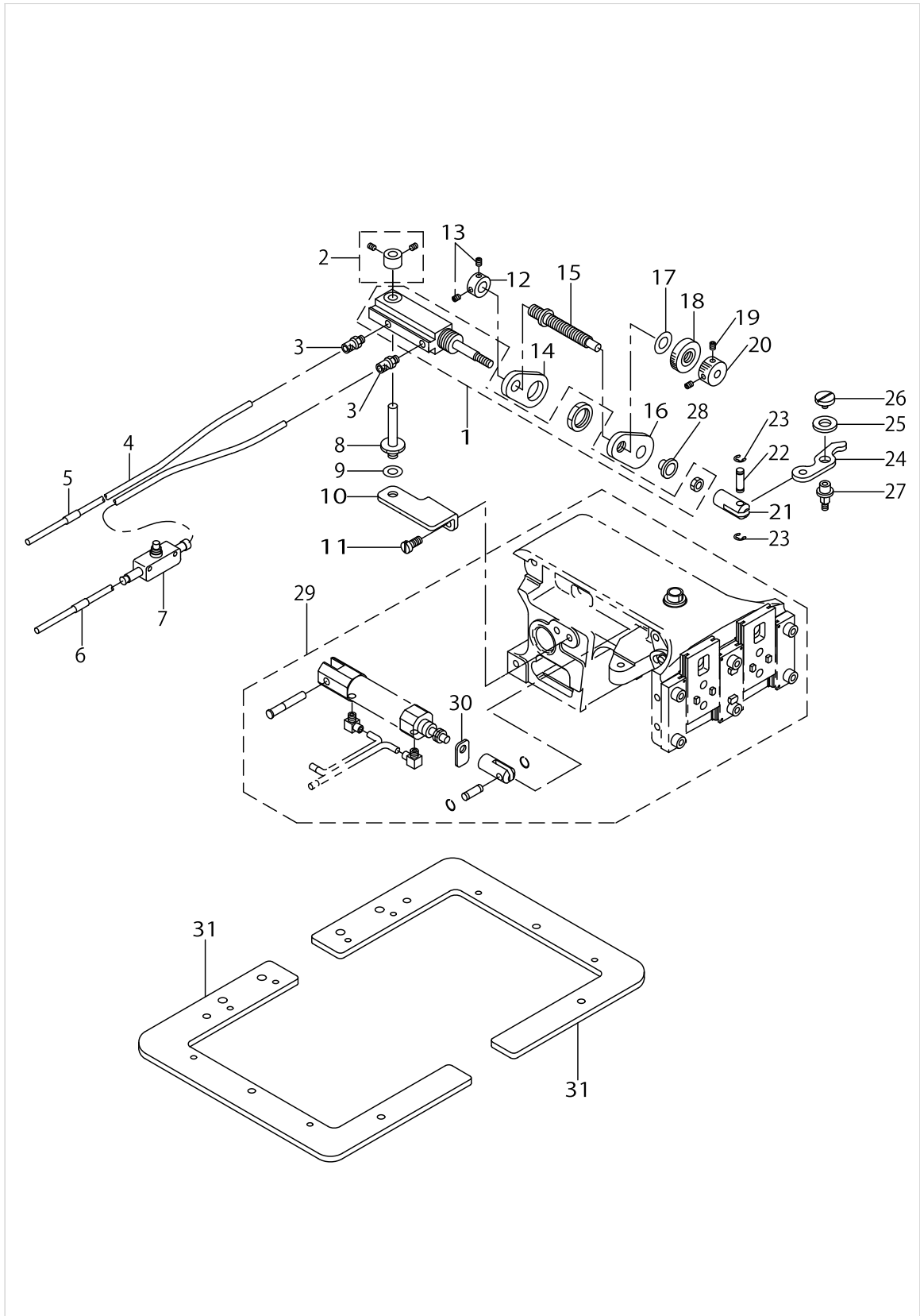
PNEUMATIC COMPONENTS



PNEUMATIC COMPONENTS

No.	Supply Code	Parts No.	Replacement	Parts name	Remarks	Choice	Step	Level	Cons	Qty	Rep. QTY
1		PV0351240B0		SOLENOID VALVE ASM.						1	
2		BT0400251EB		URETHANE HOSE, BLACK						.7	
3		B471122000E		AIR TUBE LABEL J05						1	
4		PJ032052503		HOSE NIPPLE						5	
5		PC012401000		SPEED CONTROLLER						2	
6		B47122150A0		SOLENOID VALVE CONNECTOR ASM.						1	
7		HX002330000		CLIP						8	

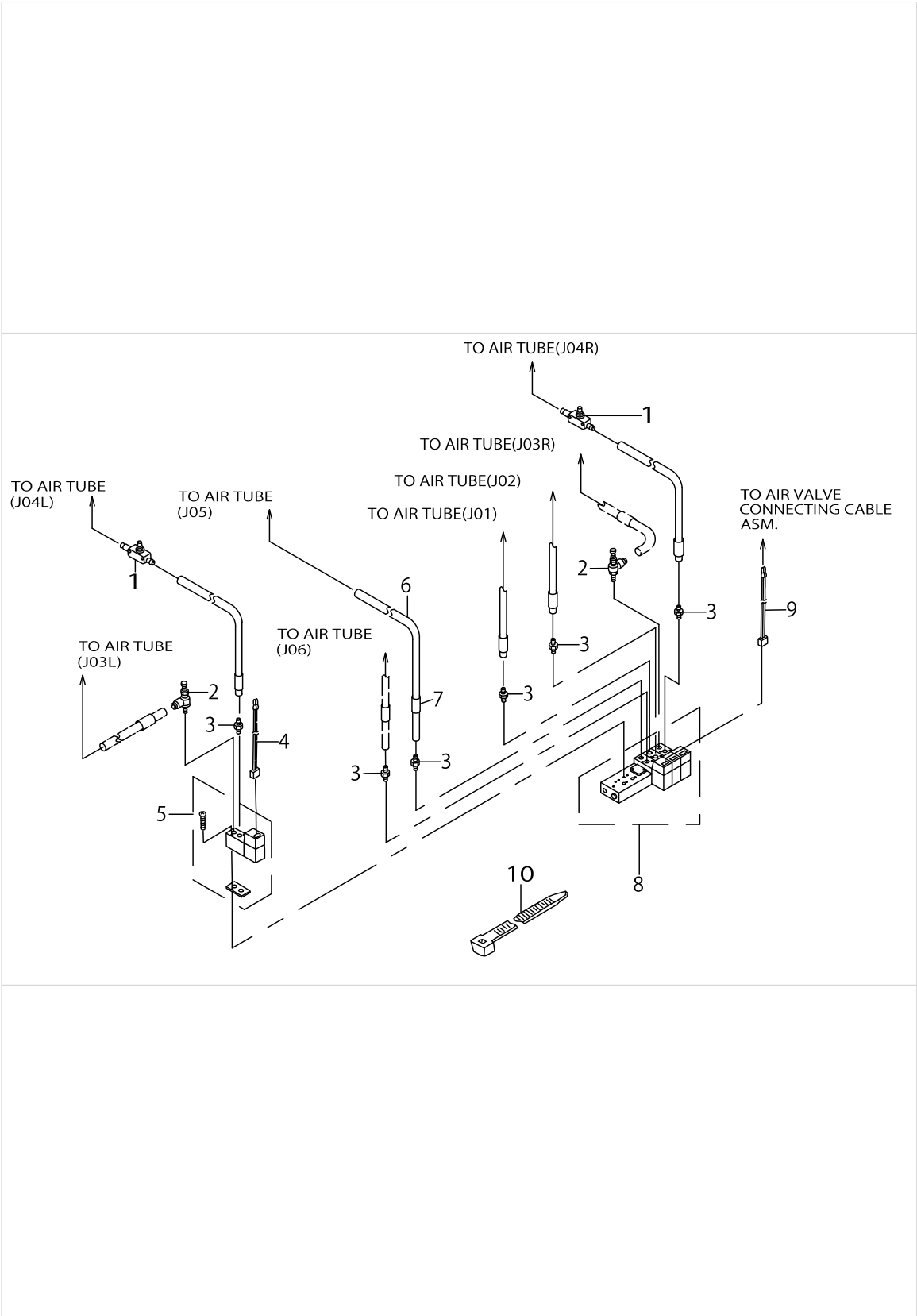
CLOTH FEED MECHANISM COMPONENTS



CLOTH FEED MECHANISM COMPONENTS

No.	Supply Code	Parts No.	Replacement	Parts name	Remarks	Choice	Step	Level	Cons	Qty	Rep. QTY
1		PA1602510A0		AIR CYLINDER						1	
2		B25792290A0		THRUST BEARING						1	
3		PJ032052503		HOSE NIPPLE						2	
4		BT0400251EB		URETHANE HOSE, BLACK						1.5	
5		B471122000E		AIR TUBE LABEL J05						1	
6		B471122000F		AIR TUBE LABEL J06						1	
7		PC012401000		SPEED CONTROLLER						1	
8		B2528215000		SHAFT						1	
9		WP0650876SD		WASHER 6.5X13X0.8						1	
10		B2514215000		INSTALLING PLATE						1	
11		SS6121010SP		SCREW 3/16-28 L=10						2	
12	R	CS0790731SH	CS079073ASH	THRUST COLLAR						1	1.00
13		SS8110422TP		SCREW 11/64-40 L=4						2	
14		B2518215000		BRACKET						1	
15		B2527215000		REGULATION SCREW						1	
16		B2518215A00		REGULATION PLATE						1	
17		WP0820816SD		WASHER 8.2X16X0.8						1	
18		B3012816000		NUT						1	
19		SS8110422TP		SCREW 11/64-40 L=4						2	
20		B2304205000		KNOB						1	
21		B1625220000		CYLINDER KNUCKLE						1	
22		B1626220000		CYLINDER PIN						1	
23		RE0300000K0		E-SHAPED SNAP RING (3MM)						2	
24		B2516215000		LEVER						1	
25	R	B185351200EA	B185351200E	SPACER						1	1.00
26		SS6110520TP		SCREW 11/64-40 L=4.5						1	
27		B3012490000		DRIVING LINK SHAFT						1	
28		B2548215000		BUSHING						1	
29		B25502150AB		CLOTH FEED BASE ASM.						1	
30		B2530215000		PRESSER PLATE				*		1	
31		B2606215000		FRAME						2	

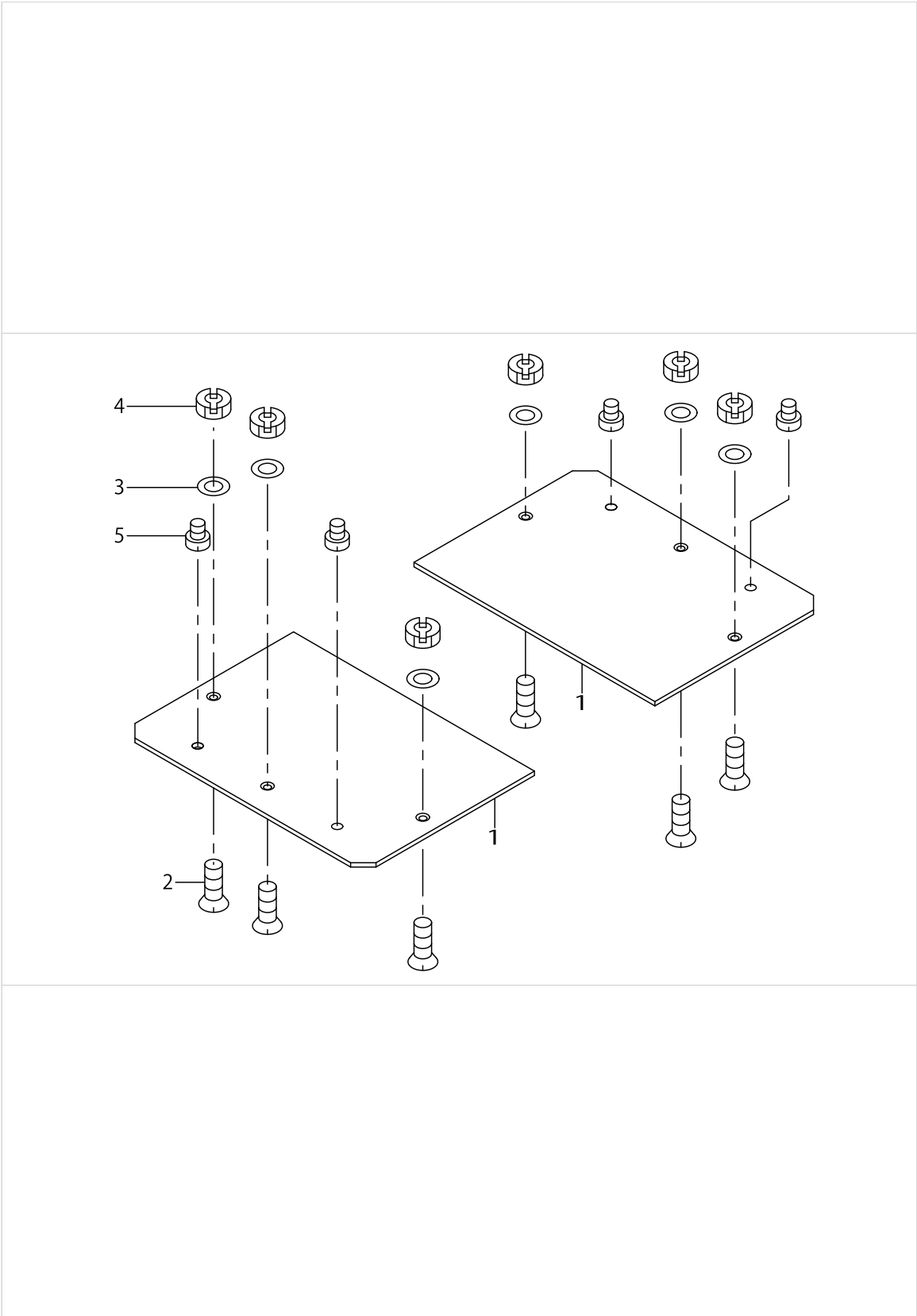
PNEUMATIC COMPONENTS



PNEUMATIC COMPONENTS

No.	Supply Code	Parts No.	Replacement	Parts name	Remarks	Choice	Step	Level	Cons	Qty	Rep. QTY
1		PC012401000		SPEED CONTROLLER						2	
2		PF070501000		PRESSURE DECREASING VALVE						2	
3		PJ032052503		HOSE NIPPLE						6	
4		B4712215AA0		SOLENOID VALVE CONNECTOR ASM.A						1	
5		PV140501000		SOLENOID VALVE						1	
6		BT0400251EB		URETHANE HOSE, BLACK						.7	
7		B471122000E		AIR TUBE LABEL J05						1	
8		PV0351240B0		SOLENOID VALVE ASM.						1	
9		B47122150A0		SOLENOID VALVE CONNECTOR ASM.						1	
10		HX002330000		CLIP						8	

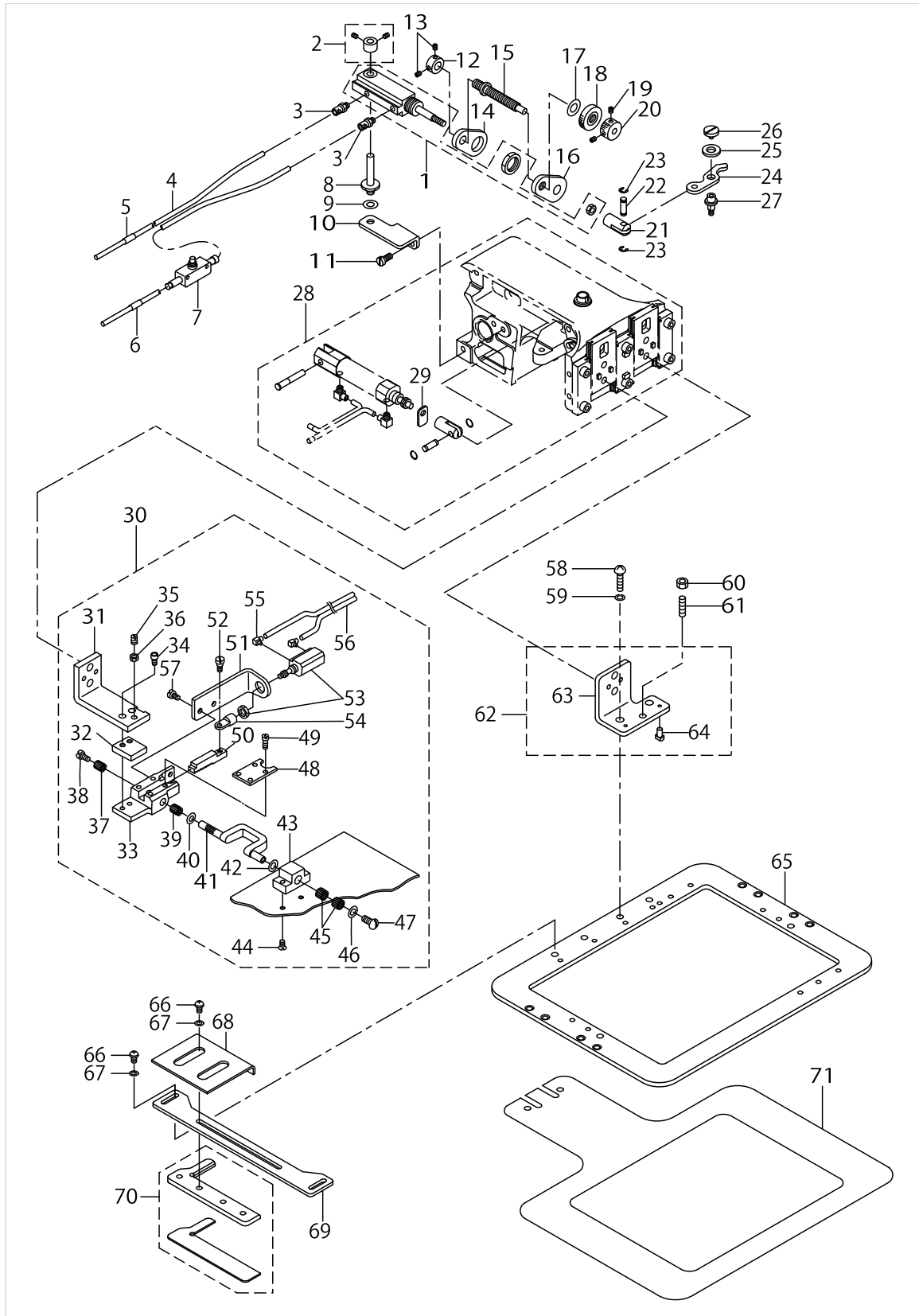
ACCESSORIE PART COMPONENTETS



ACCESSORIE PART COMPONENTS

No.	Supply Code	Parts No.	Replacement	Parts name	Remarks	Choice	Step	Level	Cons	Qty	Rep. QTY
1	D	B2618215000		PLASTIC BLANK						2	
2		SS2111010TP		SCREW 11/64-40 L=9.5						6	
3		WP0450000SD		WASHER 4.5X8X0.5						6	
4		B1626850000		ADJUSTING NUT						6	
5		SS7090410SP		SCREW 9/64-40 L=3.5						4	

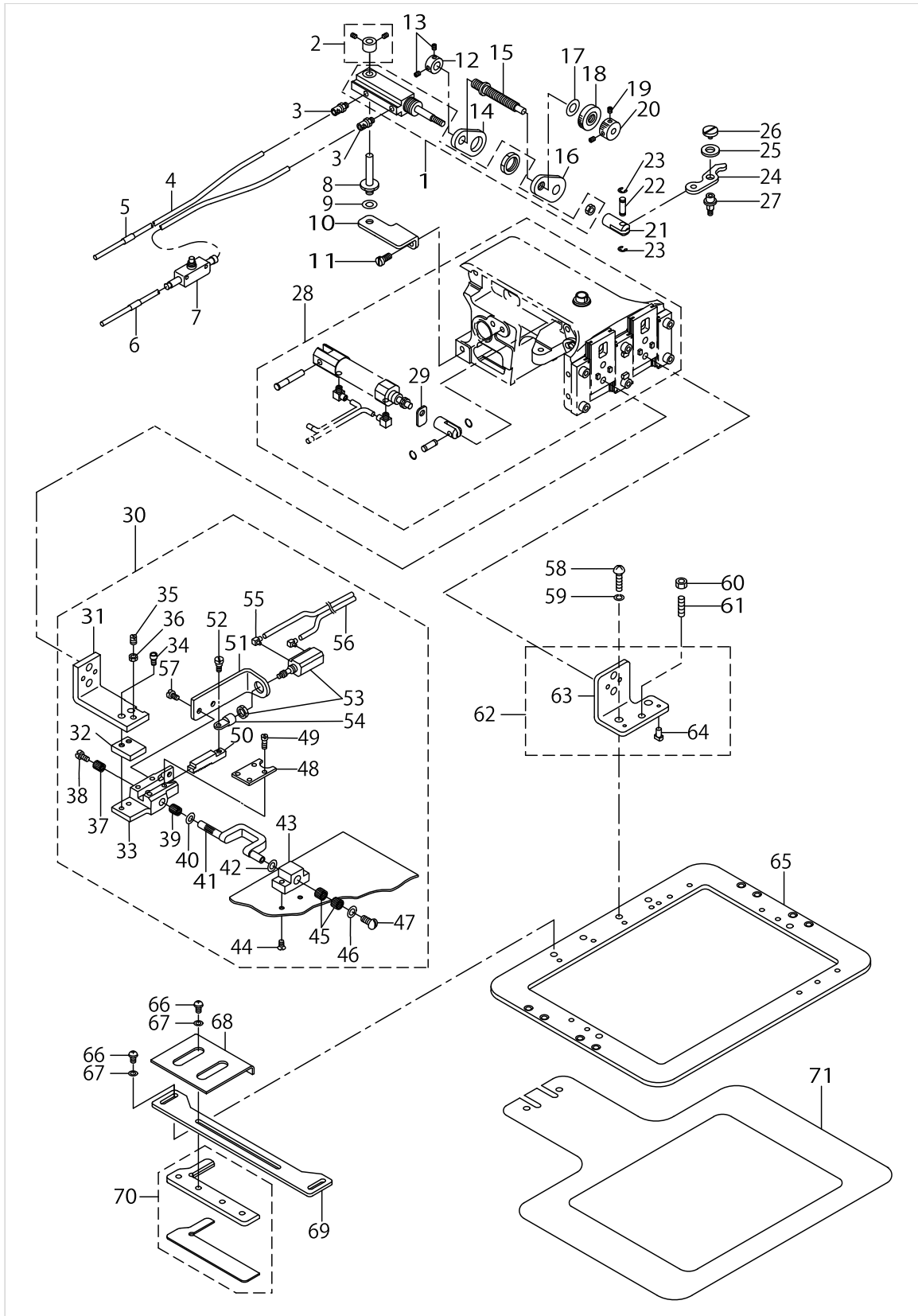
CLOTH FEED MECHANISM COMPONENTS



CLOTH FEED MECHANISM COMPONENTS

No.	Supply Code	Parts No.	Replacement	Parts name	Remarks	Choice	Step	Level	Cons	Qty	Rep. QTY
1		PA1602510A0		AIR CYLINDER						1	
2		B25792290A0		THRUST BEARING						1	
3		PJ032052503		HOSE NIPPLE						2	
4		BT0400251EB		URETHANE HOSE, BLACK						1.5	
5		B471122000E		AIR TUBE LABEL J05						1	
6		B471122000F		AIR TUBE LABEL J06						1	
7		PC012401000		SPEED CONTROLLER						1	
8		B2528215000		SHAFT						1	
9		WP0650876SD		WASHER 6.5X13X0.8						1	
10		B2514215000		INSTALLING PLATE						1	
11		SS6121010SP		SCREW 3/16-28 L=10						2	
12	R	CS0790731SH	CS079073ASH	THRUST COLLAR						1	1.00
13		SS8110422TP		SCREW 11/64-40 L=4						2	
14		B2518215000		BRACKET						1	
15		B2527215000		REGULATION SCREW						1	
16		B2518215A00		REGULATION PLATE						1	
17		WP0820816SD		WASHER 8.2X16X0.8						1	
18		B3012816000		NUT						1	
19		SS8110422TP		SCREW 11/64-40 L=4						2	
20		B2304205000		KNOB						1	
21		B1625220000		CYLINDER KNUCKLE						1	
22		B1626220000		CYLINDER PIN						1	
23		RE0300000K0		E-SHAPED SNAP RING (3MM)						2	
24		B2516215000		LEVER						1	
25	R	B185351200EA	B185351200E	SPACER						1	1.00
26		SS6110520TP		SCREW 11/64-40 L=4.5						1	
27		B3012490000		DRIVING LINK SHAFT						1	
28		B25502150AB		CLOTH FEED BASE ASM.						1	
29		B2530215000		PRESSER PLATE				*		1	
30		B43012150A0		INNER PRESSER FOOT ASM.						1	
31		B4301215000		INNER PRESSER FOOT				*		1	
32		B4303220000		SPACER				*		1	
33		B4302220000		BEARING				*		1	
34		SS6151412TP		SCREW 15/64-28 L=14				*		2	
35		SS8150912TH		SCREW				*		1	
36		NS6150310SP		NUT 15/64-28				*		1	
37		SB307000100		NEEDLE BEARING				*		1	
38		SS6110640SP		SCREW 11/64-40 L= 6.0				*		1	
39		SB307000200		BEARING				*		1	
40		B4328220000		WASHER				*		1	
41		B4309220000		CRANK SHAFT				*		1	
42		B4328220000		WASHER				*		1	
43		B4320220000		SUPPORT BASE				*		1	
44		SS1121010SP		SCREW				*		2	
45		SB307000100		NEEDLE BEARING				*		2	
46		B322877100B		BOBBIN WINDER SPACER				*		1	

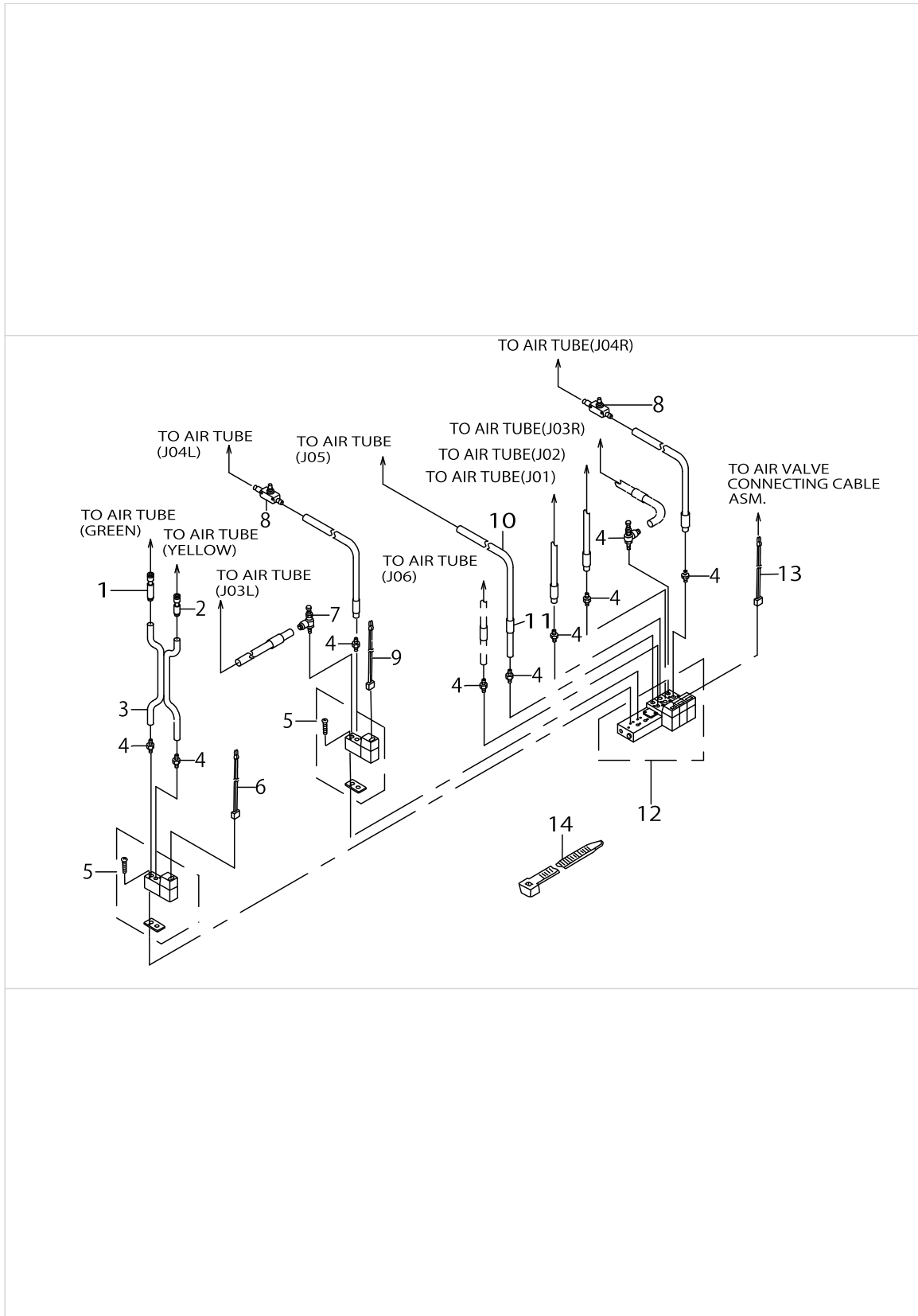
CLOTH FEED MECHANISM COMPONENTS



CLOTH FEED MECHANISM COMPONENTS

No.	Supply Code	Parts No.	Replacement	Parts name	Remarks	Choice	Step	Level	Cons	Qty	Rep. QTY
47		SS5110710SP		SCREW 11/64-40 L=7				*		1	
48		B4304220000		SUPPORT RACK				*		1	
49		SS7090910TP		SCREW 9/64-40 L=8.5				*		4	
50		B4305220000		TURN RACK				*		1	
51		B4307220000		BRACKET				*		1	
52		SD0460703TP		HINGE SCREW				*		1	
53		B4327220000		CYLINDER				*		1	
54		B4306220000		KNUCKLE				*		1	
55		PJ046052503		HOSE ELBOW				*		2	
56		B4308215000		CYLINDER TUBE				*		1	
57		SS7150940SP		SCREW 15/64-28 L=9				*		2	
58		SS7150910TP		SCREW				*		2	
59		WP0651056SD		WASHER 6.5X11X1						2	
60		NS6150330SD		NUT 15/64-28						1	
61		SS8150822TP		SCREW 15/64-28 L=8						1	
62		B2604215AA0		PRESSER FOOT ASM., RIGHT						1	
63		B2604215A00		PRESSER FOOT				*		1	
64		B1816280000		GUIDE PIN				*		2	
65		B2553215A00		FRAME						1	
66		SS4110715SP		SCREW 11/64-40 L=7						6	
67		WP0450000SD		WASHER 4.5X8X0.5						6	
68		B4312220000		LABEL GUIDE C						1	
69	D	B4310215000		LABEL GUIDE A						1	
70		B43112200A0		LABEL GUIDE B ASM.						1	
71	D	B2556215A00		LOWER PLATE						1	

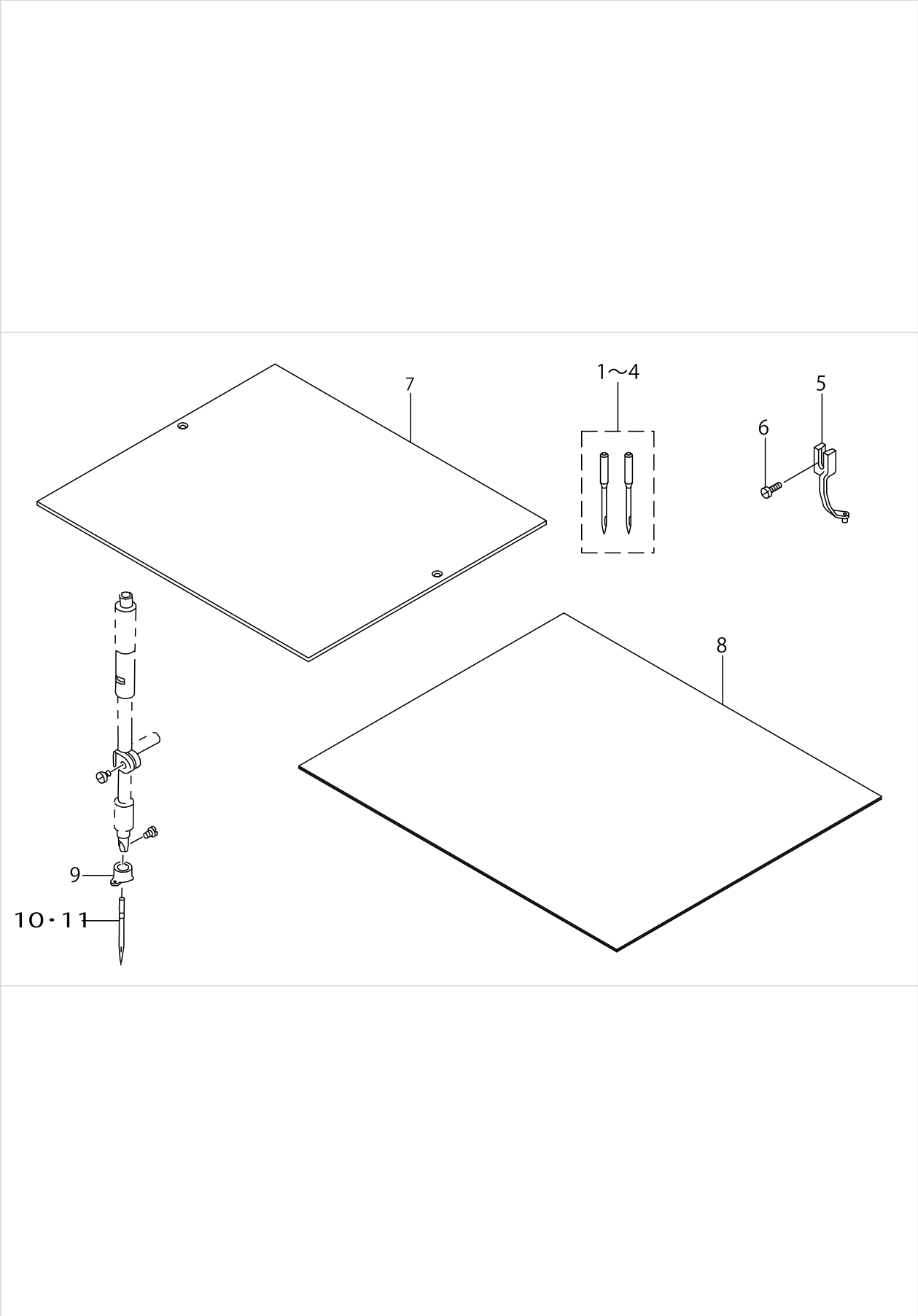
PNEUMATIC COMPONENTS



PNEUMATIC COMPONENTS

No.	Supply Code	Parts No.	Replacement	Parts name	Remarks	Choice	Step	Level	Cons	Qty	Rep. QTY
1		PJ303040004		QUICK COUPLING						1	
2		PJ303040002		STRAIGHT UNION						1	
3	D	B4329215000		TUBE						1	
4		PJ032052503		HOSE NIPPLE						8	
5		PV140501000		SOLENOID VALVE						2	
6		B4712215BA0		SOLENOID VALVE CONNECTOR ASM.B						1	
7		PF070501000		PRESSURE DECREASING VALVE						2	
8		PC012401000		SPEED CONTROLLER						2	
9		B4712215AA0		SOLENOID VALVE CONNECTOR ASM.A						1	
10		BT0400251EB		URETHANE HOSE, BLACK						.7	
11		B471122000E		AIR TUBE LABEL J05						1	
12		PV0351240B0		SOLENOID VALVE ASM.						1	
13		B47122150A0		SOLENOID VALVE CONNECTOR ASM.						1	
14		HX002330000		CLIP						8	

NEEDLE BAR, PRESSER MECHANISM & ACCESSORIE PART COMPONENTS



NEEDLE BAR, PRESSER MECHANISM & ACCESSORIE PART COMPONENTS

No.	Supply Code	Parts No.	Replacement	Parts name	Remarks	Choice	Step	Level	Cons	Qty	Rep. QTY
1	R	MDP170B1402	MDP170B1400	NEEDLE DPX17#14-2	FOR AMS-- 215CST-5- 000(EXCEPT JE)					1	1.00
2	R	MDP170B1802	MDP170B1800	NEEDLE DPZ17#18-2	FOR AMS-- 215CST-5- 000(EXCEPT JE)					1	1.00
3		MC372000902		NEEDLE SY3355#90-2	FOR AMS-- 215CST-5- 000(FOR JE)					1	
4		MC372001102		NEEDLE SY3355 #110-2	FOR AMS-- 215CST-5- 000(FOR JE)					1	
5		B1601220000		INTERMEDIATE PRESSER A						1	
6	R	SS7091110SP	SS7091110TP	SCREW 9/64-40 L=10.5						1	1.00
7		B2557215A00		PLASTIC BLANK						2	
8		B2564215A00		SPONGE						1	
9	R	B1406210000	40026884	THREAD GUIDE						1	1.00
10	D	MC372000900		NEEDLE 135X17 #90	FOR AMS-- 215CST-5- 000(FOR JE)					1	
11		MDP170B1400		NEEDLE DPX17 #14	FOR AMS-- 215CST-5- 000(EXCEPT JE)					1	

HOW TO MAKE USE OF THIS PARTS LIST

1.As to "#01" and "#02" refer to the "Note" given at the bottom of the respective pages.

2.Codes on the "Qty" column

- Each numeral indicates the number of parts required.
- "0.1" and "2.5" indicate the length (in meters) of the respective parts.

3.Parentheses mean that the corresponding part is a subpart that constructs an assembly part.

4.Dotted lines on the Figures indicate assembly parts.

1. リストページの# 0 1、# 0 2の印は、ページ下の"注記"の説明を参照下さい。
2. 数量欄の数字は、個数を表し、0. 1、2. 5等の数値は、長さ（単位メートル）を表します。
3. 数量欄の（ ）は、組部品を構成している子部品であることを意味します。
4. イラストページの-----枠は、組構成であることを意味します。

NUMERICAL INDEX OF PARTS

PART NO	PAGE	REF NO.	PART NO	PAGE	REF NO.	PART NO	PAGE	REF NO.
B1406210000	18	9	B2564215A00	18	8	B4712215AA0	16	9
B1601220000	18	5	B25792290A0	2	2	B4712215BA0	16	6
B1625220000	2	21	B25792290A0	6	2	BT0400251EB	2	4
B1625220000	6	21	B25792290A0	12	2	BT0400251EB	4	2
B1625220000	12	21	B2604215A00	14	63	BT0400251EB	6	4
B1626220000	2	22	B2604215AA0	14	62	BT0400251EB	8	6
B1626220000	6	22	B2606215000	6	31	BT0400251EB	12	4
B1626220000	12	22	B2618215000	10	1	BT0400251EB	16	10
B1626850000	10	4	B3012490000	2	27	CS0790731SH	2	12
B1816280000	14	64	B3012490000	6	27	CS0790731SH	6	12
B185351200EA	2	25	B3012490000	12	27	CS0790731SH	12	12
B185351200EA	6	25	B3012816000	2	18	HX002330000	4	7
B185351200EA	12	25	B3012816000	6	18	HX002330000	8	10
B2304205000	2	20	B3012816000	12	18	HX002330000	16	14
B2304205000	6	20	B322877100B	12	46	MC372000900	18	10·11
B2304205000	12	20	B4301215000	12	31	MC372000902	18	1~4
B2514215000	2	10	B43012150A0	12	30	MC372001102	18	1~4
B2514215000	6	10	B4302220000	12	33	MDP170B1400	18	10·11
B2514215000	12	10	B4303220000	12	32	MDP170B1402	18	1~4
B2516215000	2	24	B4304220000	14	48	MDP170B1802	18	1~4
B2516215000	6	24	B4305220000	14	50	NS6150310SP	12	36
B2516215000	12	24	B4306220000	14	54	NS6150330SD	14	60
B2518215000	2	14	B4307220000	14	51	PA1602510A0	2	1
B2518215000	6	14	B4308215000	14	56	PA1602510A0	6	1
B2518215000	12	14	B4309220000	12	41	PA1602510A0	12	1
B2518215A00	2	16	B4310215000	14	69	PC012401000	2	7
B2518215A00	6	16	B43112200A0	14	70	PC012401000	4	5
B2518215A00	12	16	B4312220000	14	68	PC012401000	6	7
B2527215000	2	15	B4320220000	12	43	PC012401000	8	1
B2527215000	6	15	B4327220000	14	53	PC012401000	12	7
B2527215000	12	15	B4328220000	12	42	PC012401000	16	8
B2528215000	2	8	B4329215000	16	3	PF070501000	8	2
B2528215000	6	8	B471122000E	2	5	PF070501000	16	7
B2528215000	12	8	B471122000E	4	3	PJ032052503	2	3
B2530215000	2	30	B471122000E	6	5	PJ032052503	4	4
B2530215000	6	30	B471122000E	8	7	PJ032052503	6	3
B2530215000	12	29	B471122000E	12	5	PJ032052503	8	3
B2548215000	2	28	B471122000E	16	11	PJ032052503	12	3
B2548215000	6	28	B471122000F	2	6	PJ032052503	16	4
B25502150AB	2	29	B471122000F	6	6	PJ046052503	14	55
B25502150AB	6	29	B471122000F	12	6	PJ303040002	16	2
B25502150AB	12	28	B47122150A0	4	6	PJ303040004	16	1
B2553215A00	14	65	B47122150A0	8	9	PV0351240B0	4	1
B2556215A00	14	71	B47122150A0	16	13	PV0351240B0	8	8
B2557215A00	18	7	B4712215AA0	8	4	PV0351240B0	16	12

NUMERICAL INDEX OF PARTS

PART NO	PAGE	REF NO.
PV140501000	8	5
PV140501000	16	5
RE0300000K0	2	23
RE0300000K0	6	23
RE0300000K0	12	23
SB307000100	12	45
SB307000200	12	39
SD0460703TP	14	52
SS1121010SP	12	44
SS2111010TP	10	2
SS4110715SP	14	66
SS5110710SP	14	47
SS6110520TP	2	26
SS6110520TP	6	26
SS6110520TP	12	26
SS6110640SP	12	38
SS6121010SP	2	11
SS6121010SP	6	11
SS6121010SP	12	11
SS6151412TP	12	34
SS7090410SP	10	5
SS7090910TP	14	49
SS7091110SP	18	6
SS7150910TP	14	58
SS7150940SP	14	57
SS8110422TP	2	19
SS8110422TP	6	19
SS8110422TP	12	19
SS8150822TP	14	61
SS8150912TH	12	35
WP0450000SD	10	3
WP0450000SD	14	67
WP0650876SD	2	9
WP0650876SD	6	9
WP0650876SD	12	9
WP0651056SD	14	59
WP0820816SD	2	17
WP0820816SD	6	17
WP0820816SD	12	17