

MODEL : MS-1261/MS-1261M/V045

List No : 0970-10

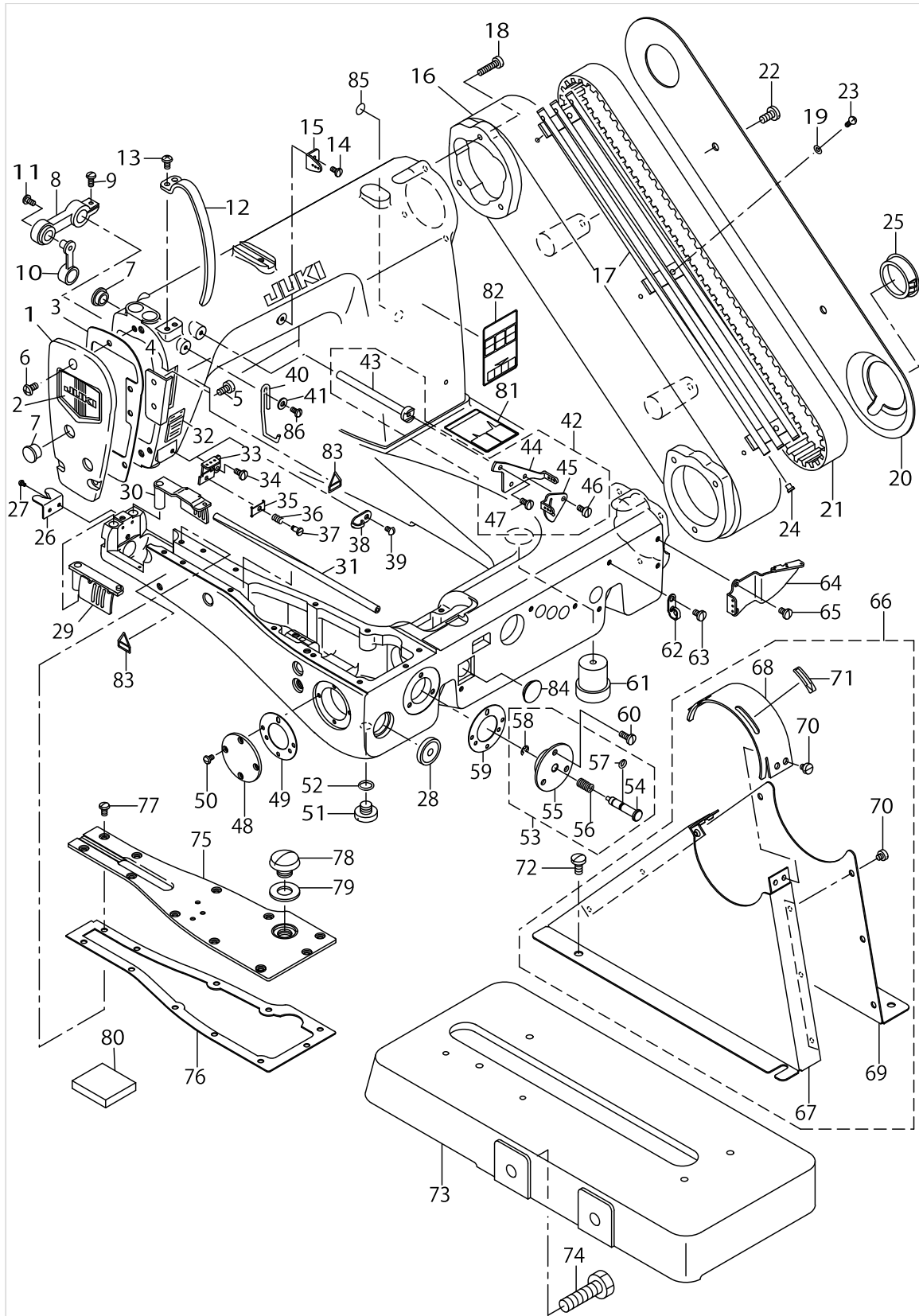
PARTS LIST

Published:05/12/2017

CONTENTS

FRAME & MISCELLANEOUS COVER COMPONENTS	1
LOOPER THREAD GUIDE COMPONENTS	5
NEEDLE BAR & MAIN SHAFT COMPONENTS	9
PRESSER BAR & LOWER SHAFT COMPONENTS	13
PRESSER FOOT COMPONENTS	17
FEED MECHANISM COMPONENTS	19
LOOPER & FEED DOG COMPONENTS	23
KNEE LIFTER COMPONENTS	27
THREAD STAND COMPONENTS	29
FRAME & COVER COMPONENTS	31
DRIVE COMPONENTS	33
CLUTCH COMPONENTS	35
ROLLER DRIVE COMPONENTS	37
PRESSER COMPONENTS	39
TABLE OF EXCHANGING GAUGE PARTS (1)	41
TABLE OF EXCHANGING GAUGE PARTS (2)	43
TABLE OF EXCHANGING GAUGE PARTS (3)	45
TABLE OF EXCHANGING GAUGE PARTS (4)	47
LIST FOR INFORMATION OF CHANGE	49
HOW TO MAKE USE OF THIS PARTS LIST	50

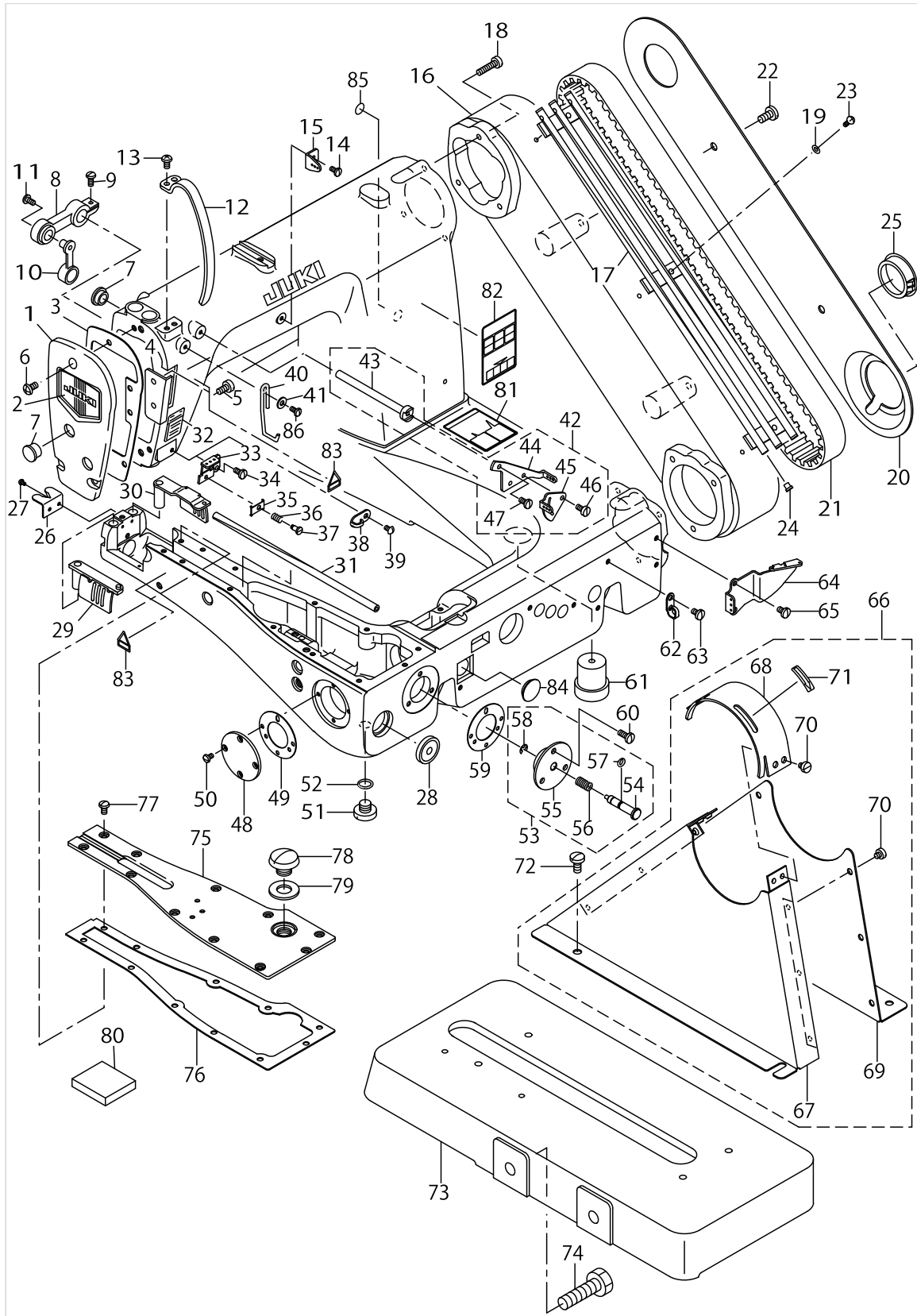
FRAME & MISCELLANEOUS COVER COMPONENTS



FRAME & MISCELLANEOUS COVER COMPONENTS

No.	Supply Code	Parts No.	Replacement	Parts name	Remarks	Choice	Step	Level	Cons	Qty	Rep. QTY
1	R	12950705	12950754	FACE PLATE						1	1.00
2		22902506		FACE PLATE						1	
3		12921003		FACE PLATE GASKET						1	
4		12950804		FACE PLATE SIDE PLATE						1	
5		SS6110610TP		SCREW 11/64-40 L=6						2	
6		SS4120915SP		SCREW 3/16-28 L=9						3	
7		TA1250406R0		RUBBER PLUG D=12.5 L=4						3	
8		B11620260A0		TENSION RELEASE ARM ASM.						1	
9		SS4091010SP		SCREW 9/64-40 L=10						1	
10		B1161026000		CONNECTING LINK						1	
11		SS5090710SP		SCREW 9/64-40 L=6.5						1	
12		12950606		TENSION COVER						1	
13		SS4110815SP		SCREW 11/64-40 L=8						1	
14		SS7090710SP		SCREW 9/64-40 L=6.8						1	
15		12966800		UPPER THREAD GUIDE						1	
16		12951000		SPROCKET WHEEL COVER						1	
17		12967501		LOWER THREAD TUBE (A)						1	
18		SS6122030SP		SCREW 3/16-28 L=20						6	
19		WP0370316SD		WASHER 3.7X8X0.3						3	
20		12921409		SPROCKET WHEEL COVER PLATE						1	
21		B1219019000		TIMING BELT						1	
22		SS7151210SP		SCREW 15/64-28 L=12						2	
23		SS4090815SP		SCREW 9/64-40 L=8						3	
24		B1124804000		THREAD GUIDE, SMALL						6	
25		12921607		RUBBER PLUG						1	
26		12922704		CHAIN CUTTER BLADE						1	
27		SS3060410SP		SCREW 3/32-56 L=4						2	
28		10704203		OIL POT WINDOW						1	
29		12952552		LEFT GATE LOOPER COVER ASM.						1	
30		12952255		RIGHT GATE LOOP- ER COVER ASM.						1	
31		B1157019000		LOOPER THREAD TUBE (C)						1	
32	D	12950507		THREAD INDICATION LABEL						1	
33		12955803		THREAD TENSION DISK HOLDER	FOR MS-1261/V045					1	
34	R	SS7090910SP	SS7090910TP	SCREW 9/64-40 L=8.5	FOR MS-1261/V045					1	1.00
35		B1134850000A		THREAD TENSION DISC	FOR MS-1261/V045					1	
36		B1135850000		TENSION SPRING (A)	FOR MS-1261/V045					1	
37		SD0380551SL		HINGE SCREW D= 3.80 H= 5.5	FOR MS-1261/V045					1	
38		B1130051000		FRAME THREAD GUIDE, MIDDLE	FOR MS-1- 261M/V045					1	
39		SS3090610SP		SCREW 9/64-40 L=6	FOR MS-1- 261M/V045					1	
40		12965703		THREAD TAKE-UP TENSION LEVER						1	
41		WP0450801SD		WASHER 4.5X10X0.8						1	
42		40118508		TENSION RELEASE LEVER SHAFT ASM.						1	
43		12966909		TENSION RELEASE LEVER SHAFT				*		1	
44		12967006		TENSION RELEASE LEVER				*		1	

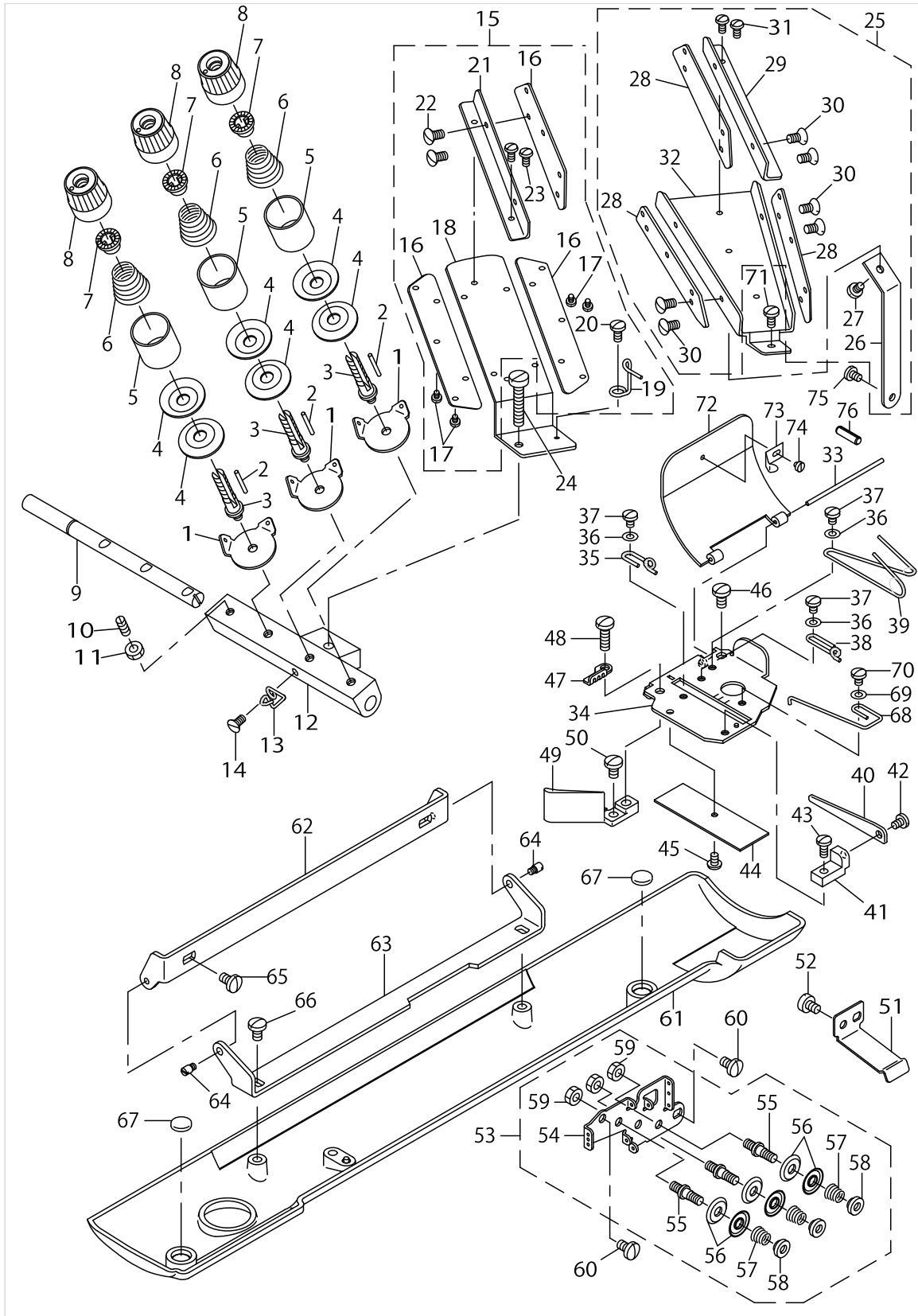
FRAME & MISCELLANEOUS COVER COMPONENTS



FRAME & MISCELLANEOUS COVER COMPONENTS

No.	Supply Code	Parts No.	Replacement	Parts name	Remarks	Choice	Step	Level	Cons	Qty	Rep. QTY
45		12967105		NEEDLE THREAD TENSION GUIDE				*		1	
46		SS6090540SP		SCREW 9/64-40 L=5.0				*		2	
47		SS7090710SP		SCREW 9/64-40 L=6.8				*		1	
48		B1805019000		FRONT BUSHING COVER						1	
49		B1806019000		GASKET						1	
50		SS5090610SP		SCREW 9/64-40 L=6						4	
51		SS7740740SP		SCREW 3/8-28 L=6.5						2	
52		RO068190100		RUBBER RING						2	
53		12932158		PUSH BUTTON GUIDE ASM.						1	
54		12932000		PUSH BUTTON STUD				*		1	
55		12932109		PUSHBUTTON GUIDE				*		1	
56		B1622541000		SPRING				*		1	
57		RO040100210		O-RING				*		1	
58		RE0400000K0		E-RING 4				*		1	
59		B1806019000		GASKET						1	
60	R	SS7111120SP	SS7111120TP	SCREW 11/64-40 L=10.5						3	1.00
61		B1156019000		RUBBER CUSHION, C						1	
62		22920607		ARM THREAD GUIDE B						1	
63		SS7110710SP		SCREW 11/64-40 L=7						1	
64		12940102		LOOPER THREAD GUIDE PLATE						1	
65		SS7110710SP		SCREW 11/64-40 L=7						2	
66		B11041910A0		BELT COVER ASM.						1	
67		B110419100A		BELT COVER				*		1	
68	D	B110419100B		TOP COVER				*		1	
69		B110419100C		BELT COVER PLATE				*		1	
70		SS6110480SP		SCREW 11/64-40 L=4.3				*		10	
71		CM500300001		DIRECTION LABEL				*		1	
72		SS7151210SP		SCREW 15/64-28 L=12						4	
73		12943700		BELT GUARD INSTALLING BASE						1	
74		SS9284043CP		SCREW 7/16-16 L=40						2	
75		12951950		BED COVER ASM.						1	
76		12952008		BED COVER GASKET						1	
77		SS5110810SP		SCREW 11/64-40 L=8						11	
78		SS5820540SP		SCREW 1/2-28 L=5.0						1	
79		B1140019000		GASKET						1	
80		12970406		FELT A						1	
81		40060166		LABEL						1	
82		CM301200002		SAFETY LABEL_L						1	
83		CM300200001		ATTENTION SEAL	FOR USE IN JAPAN, JE					2	
84		TA1600406R0		PLUG						1	
85		22901805		GROUND MARK						1	
86		SS5091020SP		SCREW 9/64-40 L=9.5						1	

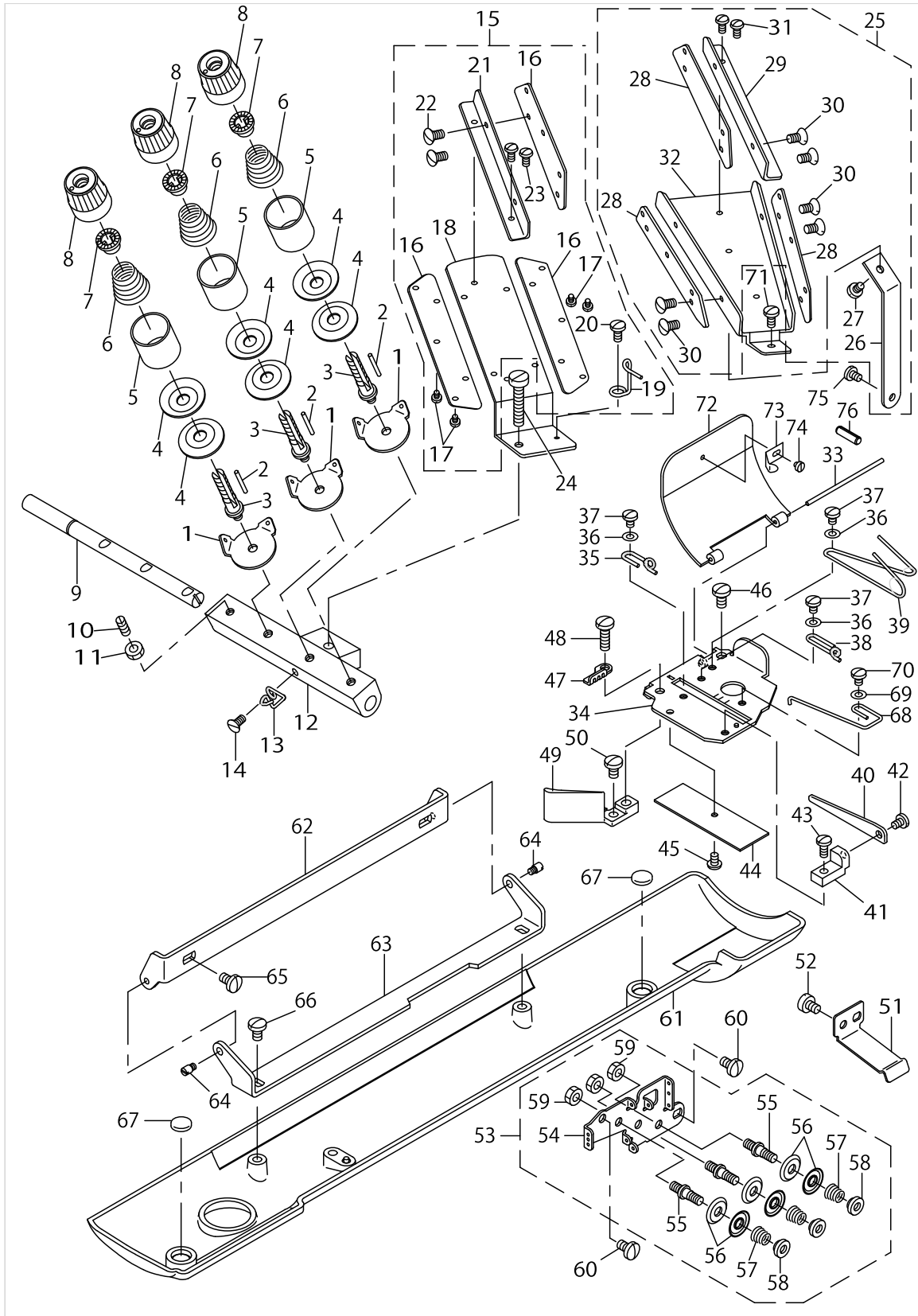
LOOPER THREAD GUIDE COMPONENTS



LOOPER THREAD GUIDE COMPONENTS

No.	Supply Code	Parts No.	Replacement	Parts name	Remarks	Choice	Step	Level	Cons	Qty	Rep. QTY
1		40085675		TENSION THREAD GUIDE						3	
2		B2310019000		TENSION RELEASING PIN						3	
3		40085671		TENSION POST						3	
4	R	B3126012000	22921506	THREAD TENSION DISK						6	1.00
5	R	11957305	13137609	TENSION DISC PRESSER						3	1.00
6		12938304		TENSION SPRING						3	
7		B3112704000		TENSION SPRING BUSHING						3	
8		11956703		THREAD TENSION KNOB, RED						3	
9		12966602		TENSION RELEASING SHAFT						1	
10		SS8111160SP		SCREW 11/64-40 L=11.0						1	
11		NS6110310SP		NUT 11/64-40						1	
12		40085676		TENSION STUD BUSHING						1	
13		12966701		LOWER THREAD GUIDE (LEFT)						1	
14		SS7090510SP		SCREW 9/64-40 L= 4.6						1	
15		40117113		THREAD GUIDE MOUNTING BRACKET						1	
16		B2402019000		THREAD GUIDE				*		3	
17		SS7060510SP		SCREW 3/32-56 L=4.8				*		4	
18	R	12967600	40117113	THREAD GUIDE MOUNTING BRACKET				*		1	1.00
19		B2421019000		THREAD EYELET				*		1	
20		SS7090510SP		SCREW 9/64-40 L= 4.6				*		1	
21	R	12967303	40117111	THREAD GUIDE FITTING PLATE				*		1	1.00
22		SS2060510SP		SCREW 3/32-56 L=4.5				*		2	
23		SS5060410SP		SCREW 3/32-56 L=3.5				*		2	
24	D	SS4622340SP		SCREW 3/16-32 L=23						1	
25		40117111		THREAD GUIDE BRACKET ASM.						1	
26	R	12967402	40117111	THREAD GUIDE BRACKET SUPPORT				*		1	1.00
27	R	SS7090520SP	SS7090520TP	SCREW 9/64-40 L= 4.5				*		1	1.00
28		B2402019000		THREAD GUIDE				*		3	
29	R	12967303	40117111	THREAD GUIDE FITTING PLATE				*		1	1.00
30		SS2060510SP		SCREW 3/32-56 L=4.5				*		6	
31		SS5060410SP		SCREW 3/32-56 L=3.5				*		2	
32	R	12967204	40117111	THREAD GUIDE BRACKET				*		1	1.00
33		12936902		LOOPER THREAD TAKE-UP PIN						1	
34		12935516		TENSION TAKE-UP STRIPPER PLATE						1	
35		12966305		LOOPER THREAD GUIDE (C)						1	
36		WP0371016SD		WASHER 3.7X8X1						3	
37		SS7090530SP		SCREW 9/64-40 L= 4.5						3	
38		12966206		LOOPER THREAD GUIDE (B)						1	
39		12966107		LOOPER THREAD GUIDE (A)						1	
40		12966008		LOOPER THREAD CAM PRESSER						1	
41		12935607		CAM HOLDER BRACKET						1	
42		SS7090530SP		SCREW 9/64-40 L=4.5						1	
43		SS7090850SP		SCREW 9/64-40 L=8						1	
44		12936217		FELT						1	
45		SS5090420SP		SCREW 9/64-40 L=3.5						1	

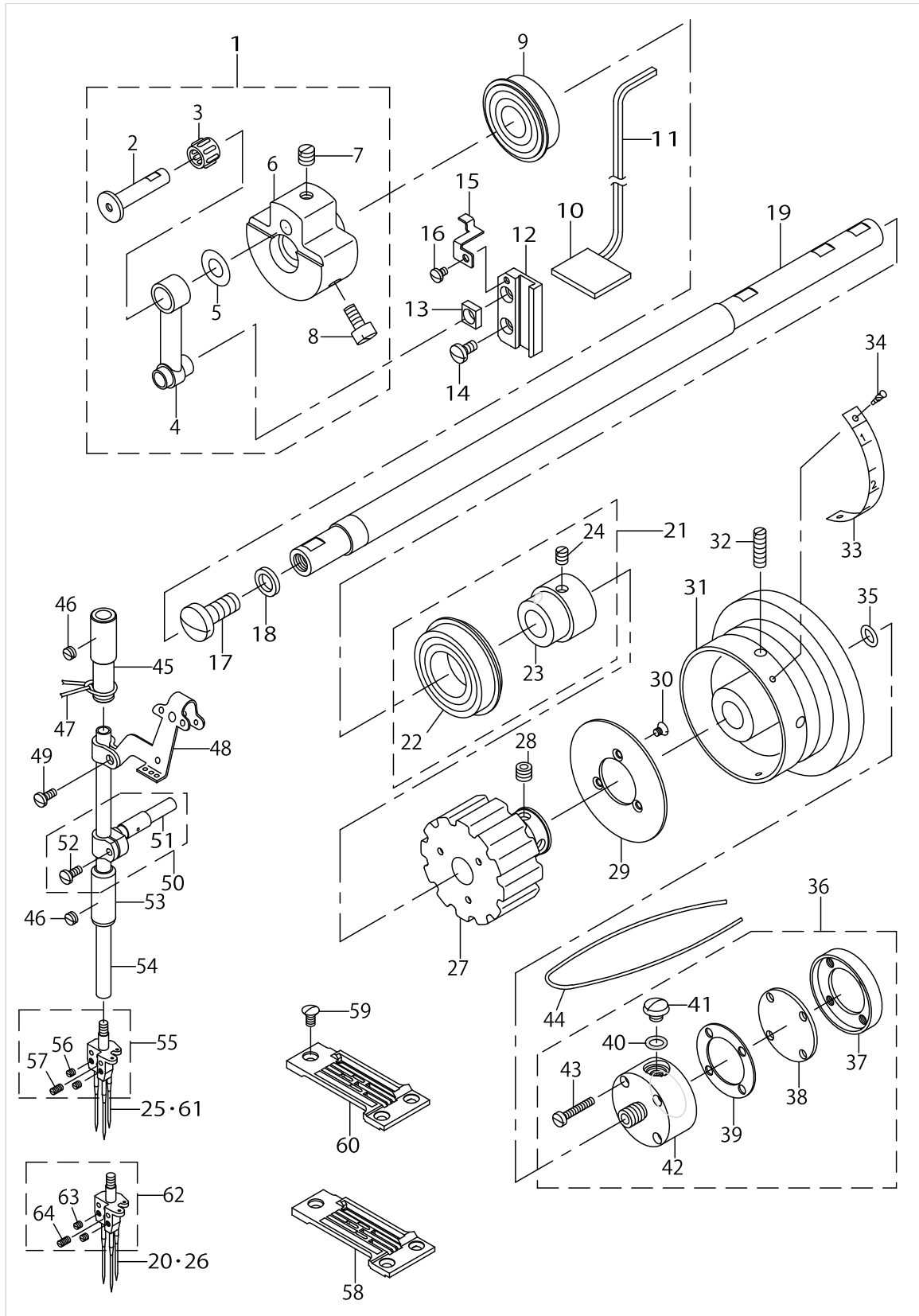
LOOPER THREAD GUIDE COMPONENTS



LOOPER THREAD GUIDE COMPONENTS

No.	Supply Code	Parts No.	Replacement	Parts name	Remarks	Choice	Step	Level	Cons	Qty	Rep. QTY
46		SS7110840SP		SCREW 11/64-40 L=7.8						1	
47		12935805		LOOPER THREAD GUIDE						1	
48	R	SS7111410SP	SS7111410TP	SCREW 11/64-40 L=14						1	1.00
49		12936506		STRIPPER PLATE BRACKET						1	
50		SS7110710SP		SCREW 11/64-40 L=7						1	
51		12922803		COVER SPRING						1	
52		SS6110610TP		SCREW 11/64-40 L=6						2	
53		12967758		LOOPER THREAD TENSION ASM.						1	
54		12939500		TENSION BASE PLATE				*		1	
55		12939609		TENSION POST				*		3	
56		12939708		TENSION DISC				*		6	
57		12939807		TENSION SPRING				*		3	
58		12939906		TENSION NUT				*		3	
59		NS6110350SP		NUT 11/64-40				*		3	
60		SS7110710SP		SCREW 11/64-40 L=7						2	
61		12951505		LOOPER THREAD TUBE COVER						1	
62		12921904		LOOPER THREAD TUBE COVER HINGE A						1	
63		12922001		LOOPER THREAD TUBE COVER HINGE B						1	
64		B1534816000		HINGE SCREW						2	
65		SS7110840SP		SCREW 11/64-40 L=7.8						2	
66		SS7110840SP		SCREW 11/64-40 L=7.8						2	
67		40038331		VIBRATION-PROOF RUBBER						2	
68		12935904		LOOPER THREAD GUIDE						1	
69		WP0371016SD		WASHER 3.7X8X1						1	
70		SS7090530SP		SCREW 9/64-40 L=4.5						1	
71		SS7090710SP		SCREW 9/64-40 L=6.8						1	
72		12936803		LOOPER THREAD TAKE-UP COVER						1	
73		B2208019000		LOOPER THREAD TAKE-UP COVER SPRING						1	
74		SS6060210SP		SCREW 3/32-56 L=1.9						1	
75		SS4090815SP		SCREW 9/64-40 L=8						1	
76		PS0500202KP		SPRING PIN 5X20						1	

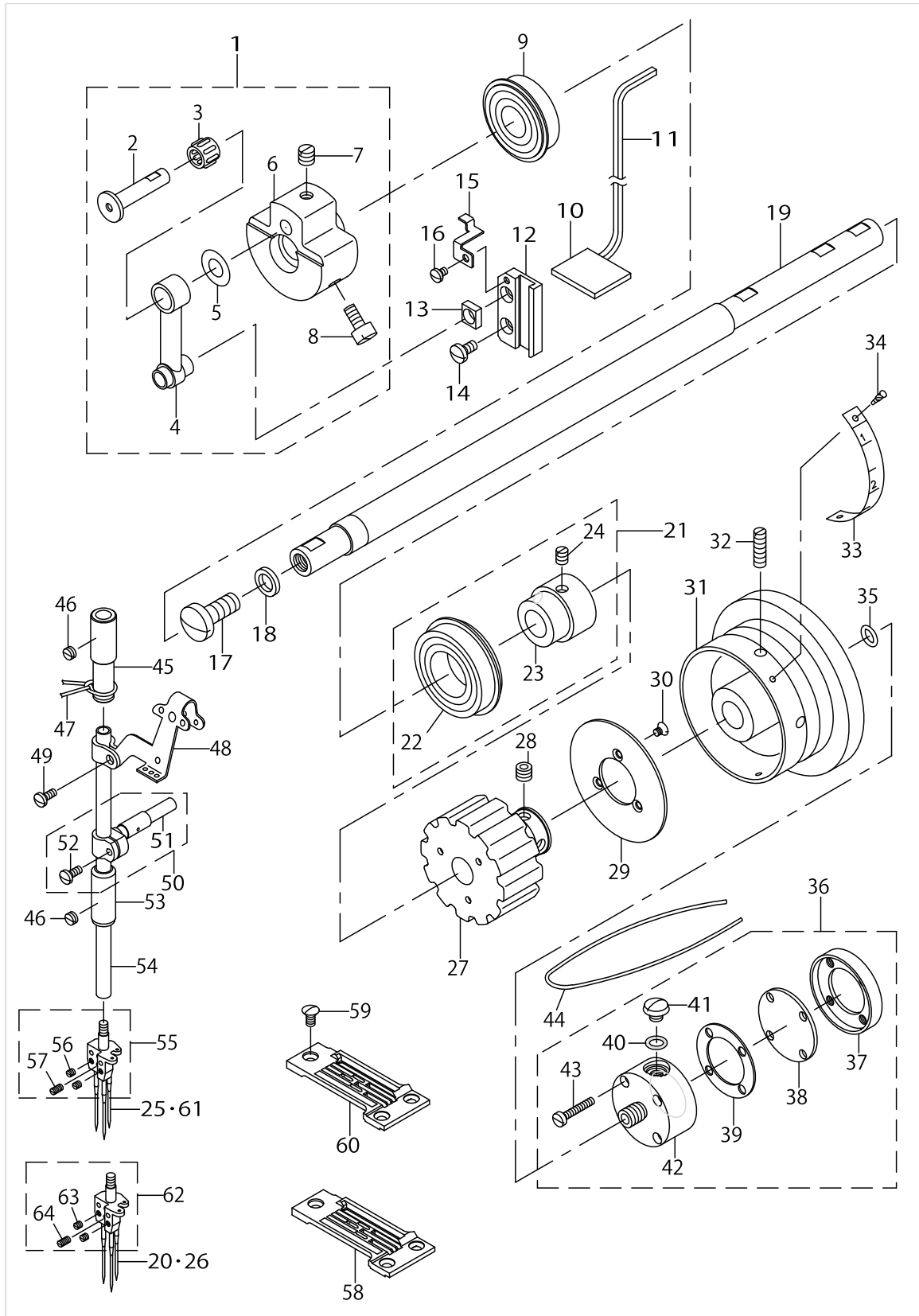
NEEDLE BAR & MAIN SHAFT COMPONENTS



NEEDLE BAR & MAIN SHAFT COMPONENTS

No.	Supply Code	Parts No.	Replacement	Parts name	Remarks	Choice	Step	Level	Cons	Qty	Rep. QTY
1		B12070260A0		COUNTERWEIGHT ASM.						1	
2		B12090190A0		NEEDLE BAR CRANK PIN ASM.				*		1	
3		B1236125BA0		NEEDLE BUSHING ASM.	SELECTIVE PART			*		1	
4		B1408038000		NEEDLE BAR CRANK ROD, B				*		1	
5		B1208019000		WASHER				*		1	
6		B1207026000		COUNTERWEIGHT				*		1	
7		SS8660410SP		SCREW 1/4-40 L= 4.2				*		2	
8		SS6151220SP		SCREW 15/64-28 L=11.5				*		2	
9		B1202512000		MAIN SHAFT BUSHING, FRONT						1	
10		B3510019000		OIL FELT						1	
11		B3541012000		OIL WICK						1	
12		B1412038000		SLIDE BLOCK GUIDE						1	
13		B1411019000		SLIDE BLOCK GUIDE						1	
14	R	SS7120910SP	SS7120910TP	SCREW 3/16-28 L=9						2	1.00
15		12943106		OIL WICK PRESSER						1	
16		SS7090530SP		SCREW 9/64-40 L= 4.5						1	
17		SS7740740SP		SCREW 3/8-28 L= 6.5						1	
18		B1222019000		PACKING						1	
19		12924502		MAIN SHAFT						1	
20		MUY128N1900		NEEDLE UYX128GAS-NY #19	FOR MS-1-261M/V045					3	
21		12924767		BUSHING REAR ASM.						1	
22		B1203512000		BUSHING, REAR				*		1	
23		12924718		BUSHING				*		1	
24	R	SS8150710SP	SS8150710TP	SCREW 15/64-28 L=7				*		2	1.00
25		MUY128N2100		NEEDLE UYX128GAS-NY #21	FOR MS-1261/V045					3	
26		MC380001200		NEEDLE UY128GAS NM120	FOR JE(M-S-1261M/V045)					3	
27		12924916		SPROCKET WHEEL A						1	
28		SS8660522TP		SCREW 1/4-40 L=4.5						2	
29		12925004		PULLEY PLATE						1	
30		SS1090510SP		SCREW 9/64-40 L=5						3	
31	D	12955209		HAND WHEEL						1	
32		SS8152030SP		SCREW 15/64-28 L=20						2	
33	D	12955308		HAND WHEEL SCALE PLATE						1	
34		B1161227000		RIVET						2	
35		RO098240100		RUBBER RING						1	
36		40026875		OIL CUP BODY ASM.						1	
37	R	B3504019000	40026875	OIL CUP BODY CAP RETAINER				*		1	1.00
38	R	B3502019000	40026875	OIL CUP BODY CAP				*		1	1.00
39		B3503019000		OIL CUP BODY CAP GASKET				*		1	
40		RO069180100		RUBBER RING				*		1	
41		SS5660440SP		SCREW 1/4-40 L= 4.0				*		1	
42		40026874		OIL CUP BODY				*		1	
43		SS6092120SP		SCREW 9/64-40 L=21.2				*		4	
44		CQ252000000		OIL WICK						1	
45		B1402026B0G		NEEDLE BAR BUSHING, UPPER						1	

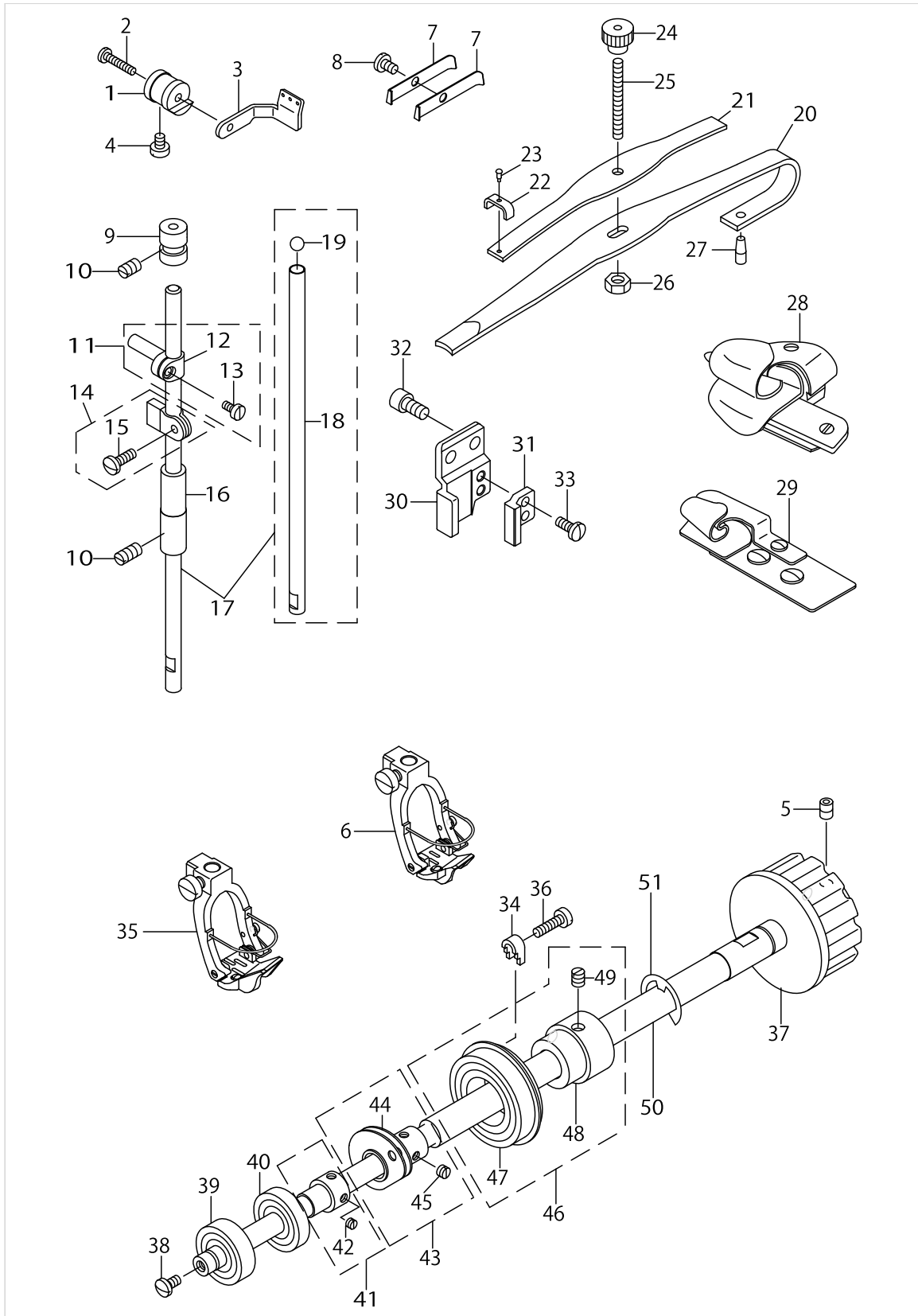
NEEDLE BAR & MAIN SHAFT COMPONENTS



NEEDLE BAR & MAIN SHAFT COMPONENTS

No.	Supply Code	Parts No.	Replacement	Parts name	Remarks	Choice	Step	Level	Cons	Qty	Rep. QTY
46		SS8150310SP		SCREW 15/64-28 L= 3.4						2	
47	R	CQ300000000	CQ303000000	OIL WICK						.1	1.00
48		B1901026000		THREAD TAKE-UP						1	
49		SS7090910TP		SCREW 9/64-40 L= 8.5						1	
50		B14090190B0		NEEDLE BAR CLAMP ASM.						1	
51		B1418019000		FELT				*		1	
52	R	SS7090910SP	SS7090910TP	SCREW 9/64-40 L= 8.5				*		1	1.00
53		B1404026B0G		NEEDLE BAR BUSHING, LOWER						1	
54		B1401019000		NEEDLE BAR						1	
55		12956256		NEEDLE CLAMP (1/4") ASM.	REFER TO THE TABLE EXCHANGING PARTS ON P.25					1	
56		SS8080310TP		SCREW 1/8-44 L=2.8				*		2	
57		SS8080610SP		SCREW 1/8-44 L=5.5				*		1	
58		12972808		THROAT PLATE MH (1/4")	REFER TO THE TABLE OF EXCHANGING PARTS ON P.29					1	
59		SS2110920TP		SCREW 11/64-40 L=8.5						3	
60		12953204		THROAT PLATE XH (1/4")	REFER TO THE TABLE EXCHANGING PARTS ON P.25					1	
61		MC380001300		NEEDLE UY128GAS NM130	FOR JE(M-S-1261/V045)					3	
62		12956256		NEEDLE CLAMP (1/4") ASM.	REFER TO THE TABLE EXCHANGING PARTS ON P.25					1	
63		SS8080310TP		SCREW 1/8-44 L=2.8				*		2	
64		SS8080610SP		SCREW 1/8-44 L=5.5				*		1	

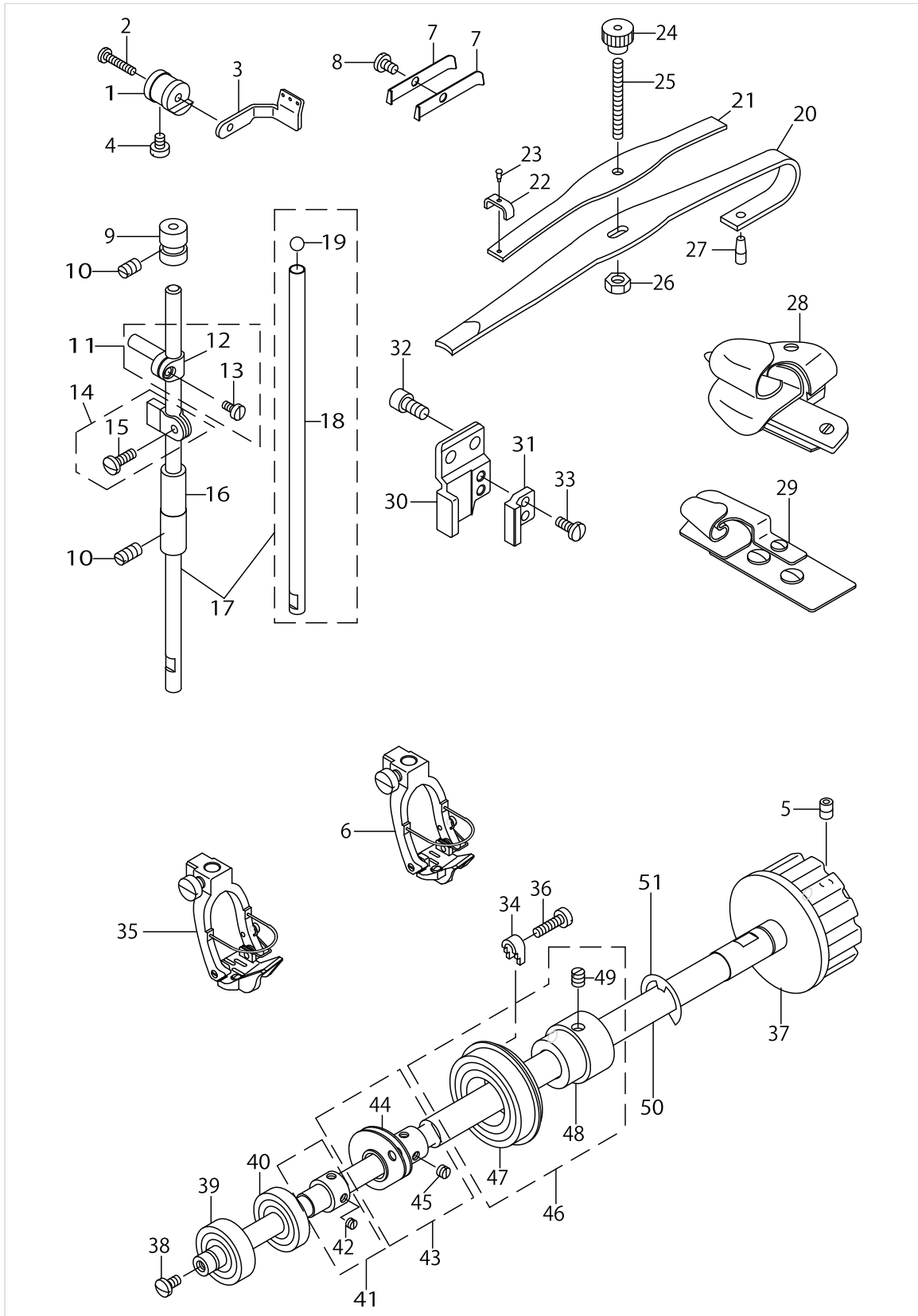
PRESSER BAR & LOWER SHAFT COMPONENTS



PRESSER BAR & LOWER SHAFT COMPONENTS

No.	Supply Code	Parts No.	Replacement	Parts name	Remarks	Choice	Step	Level	Cons	Qty	Rep. QTY
1		12968103		FITTING SHAFT						1	
2		SS7091410SP		SCREW 9/64-40 L=13.5						1	
3		12968202		LOOPER THREAD EYELET						1	
4		SS6110610TP		SCREW 11/64-40 L=6						1	
5		SS8150822TP		SCREW 15/64-28 L=8						2	
6		12960084		PRESSER 1/4" MH ASM.,EXPORT	REFER TO THE TABLE OF EXCHANGING PARTS ON P.29					1	
7		B1127026000		LOOPER GATE RETAINING SPRING						2	
8		SS7090710SP		SCREW 9/64-40 L= 6.8						1	
9		B1502019000		PRESSER BAR UPPER BUSHING						1	
10		SS8150310SP		SCREW 15/64-28 L= 3.4						2	
11		22906457		NEEDLE BAR HOLDER ASM.						1	
12	R	22906408	22906457	NEEDLERODHOLDER				*		1	1.00
13		SS6090670TP		SCREW 9/64-40 L=6				*		1	
14		B15040190A0		PRESSER BAR GUIDE BRACKET ASM.						1	
15		SS7111110TP		SCREW 11/64-40 L=10.5				*		1	
16		12958609		BUSHING,LOWER						1	
17		12958559		PRESSER BAR ASM.						1	
18		12958500		PRESSER BAR				*		1	
19		B1506019000		PRESSER BAR STEEL BALL				*		1	
20		B2327019000		PRESSER BAR SPRING						1	
21		B2329019000		PRESSER BAR SPRING UPPER						1	
22		B2330019000		PRESSER BAR SPRING RETAINER						1	
23		A116100100B		RIVET						1	
24		B2326019000		PRESSER REGULATING SCREW NUT						1	
25		B2324261000		PRESSER REGULATING SCREW						1	
26		NS6120310SP		NUT 3/16-28						1	
27		B2328019000		PRESSER BAR SPRING PIN						1	
28		MAM2990BBBA		HOLDER 1/4XH ASM.	REFER TO THE TABLE OF EXCHANGING PARTS ON P.31					1	
29		MAM2970EEBA		FOLDER 1/4MH	REFER TO THE TABLE OF EXCHANGING PARTS ON P.31					1	
30		12959300		PRESSER FOOT GUIDE (A)						1	
31		12959409		PRESSER FOOT GUIDE (B)						1	
32		SM6061202TP		SCREW M6 L=12						2	
33		SS7110910TP		SCREW 11/64-40 L= 8.5						2	
34		12924809		METAL PRESSER						3	
35		12960068		PRESSER 1/4" (ASM) EXPORT	REFER TO THE TABLE OF EXCHANGING PARTS ON P.25					1	
36		SS6111610SP		SCREW 11/64-40 L=16						3	
37		12933719		SPROCKET WHEEL B						1	

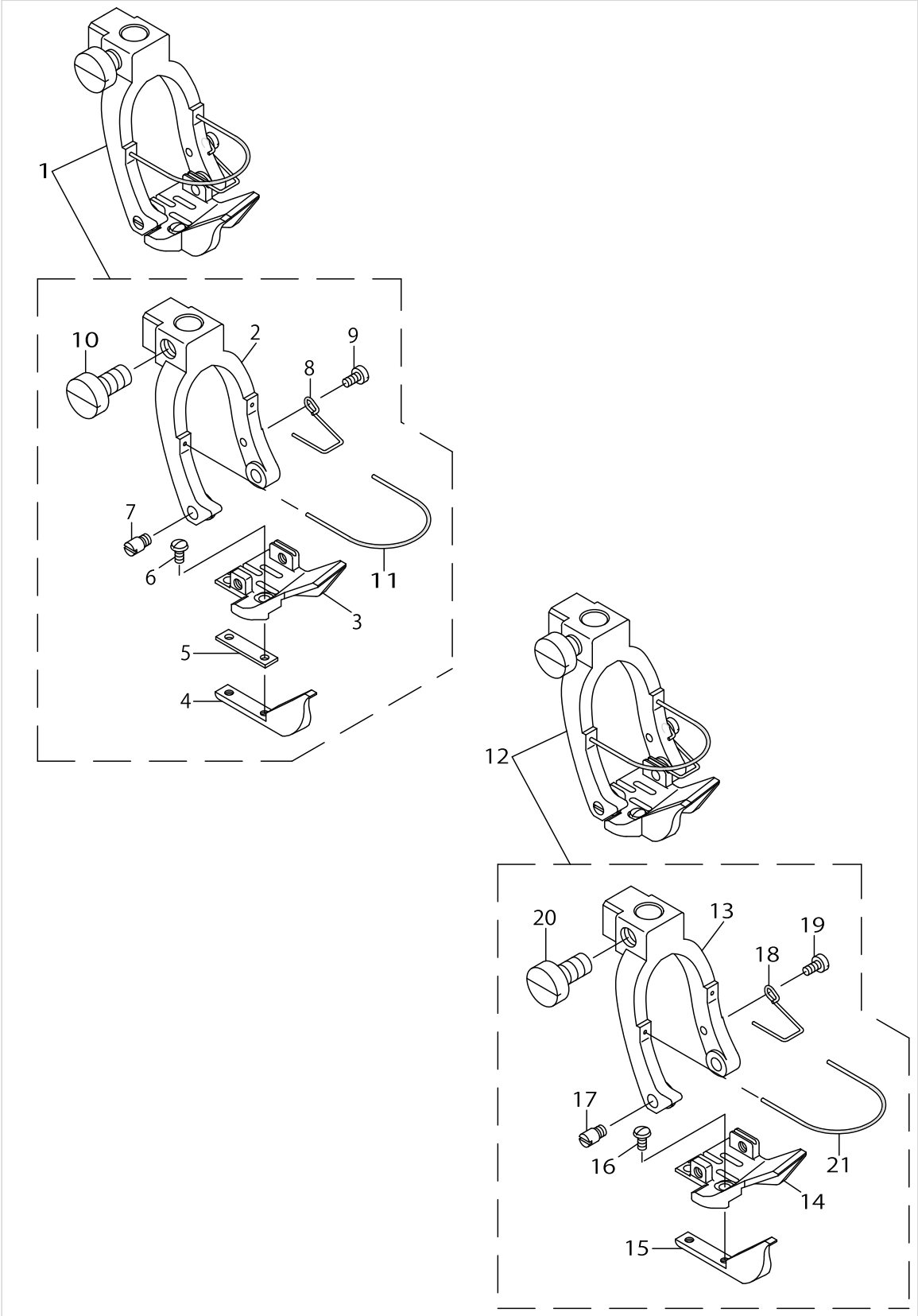
PRESSER BAR & LOWER SHAFT COMPONENTS



PRESSER BAR & LOWER SHAFT COMPONENTS

No.	Supply Code	Parts No.	Replacement	Parts name	Remarks	Choice	Step	Level	Cons	Qty	Rep. QTY
38		SS7110830SP		SCREW 11/64-40 L= 7.5						1	
39		B1802019000		BALL BEARING, FRONT						1	
40		B1803019000		BALL BEARING, INTERMEDIATE						1	
41		B18080190A0		SLEEVE ASM.						1	
42		SS8110310SP		SCREW 11/64-40 L= 2.8				*		2	
43		12966552		LOOPER THREAD CAM ASM.						1	
44	R	12966503	12966552	LOOPER THREAD CAM				*		1	1.00
45		SS8110310SP		SCREW 11/64-40 L= 2.8				*		2	
46		12924767		BUSHING REAR ASM.						1	
47		B1203512000		BUSHING, REAR				*		1	
48		12924718		BUSHING				*		1	
49	R	SS8150710SP	SS8150710TP	SCREW 15/64-28 L=7				*		2	1.00
50		12965513		LOWER SHAFT						1	
51		RE1200000K0		E-RING 12						1	

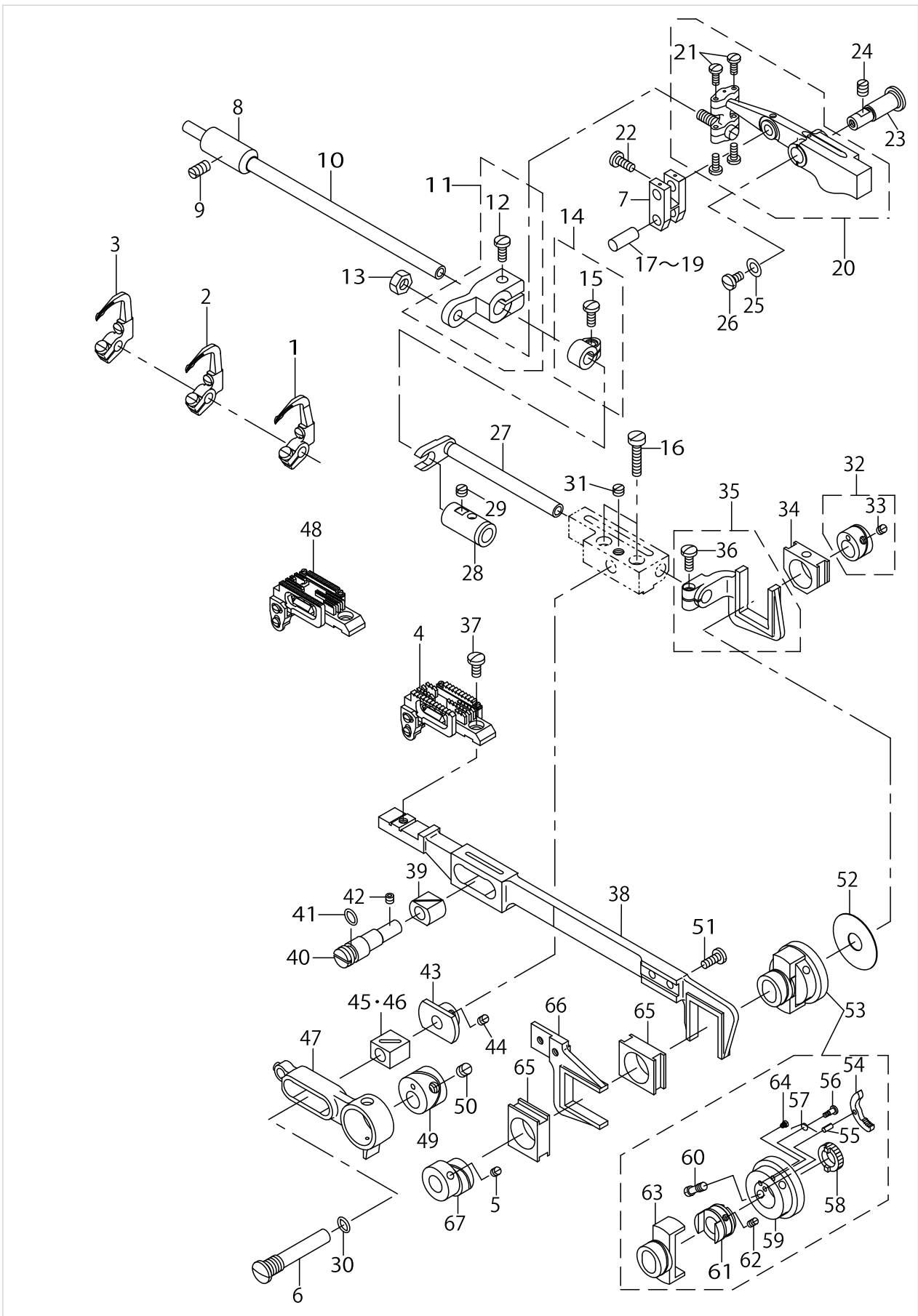
PRESSER FOOT COMPONENTS



PRESSER FOOT COMPONENTS

No.	Supply Code	Parts No.	Replacement	Parts name	Remarks	Choice	Step	Level	Cons	Qty	Rep. QTY
1		12960068		PRESSER 1/4" (ASM) EXPORT	FOR MS-1-261/V045 REFER TO THE TABLE OF EXCHANGING PARTS ON P.25					1	
2		12960803		PRESSER FOOT (7/32" _1/4")				*		1	
3		12960001		PRESSER (1/4")				*		1	
4		12962007		ADJUSTING PRESSER XH				*		1	
5		12962106		PRESSER ADJUSTING PLATE (A)				*		1	
6		SS5060410SP		SCREW 3/32-56 L=3.5				*		2	
7		12962403		HINGE SCREW				*		2	
8		12962205		PRESSER SPRING				*		1	
9		SS6060410TP		SCREW 3/32-56 L=3.5				*		1	
10		SS6150810SP		SCREW 15/64-28 L=8				*		1	
11		12962304		NEEDLE GUARD				*		1	
12		12960084		PRESSER 1/4" MH ASM.,EXPORT	FOR MS-1-261M/V045 REFER TO THE TABLE OF EXCHANGING PARTS ON P.29					1	
13		12960803		PRESSER FOOT (7/32" _1/4")				*		1	
14		12960001		PRESSER (1/4")				*		1	
15		12962007		ADJUSTING PRESSER XH				*		1	
16		SS5060310SP		SCREW 3/32-56 L=2.8				*		2	
17		12962403		HINGE SCREW				*		2	
18		12962205		PRESSER SPRING				*		1	
19		SS6060410TP		SCREW 3/32-56 L=3.5				*		1	
20		SS6150810SP		SCREW 15/64-28 L=8				*		1	
21		12962304		NEEDLE GUARD				*		1	

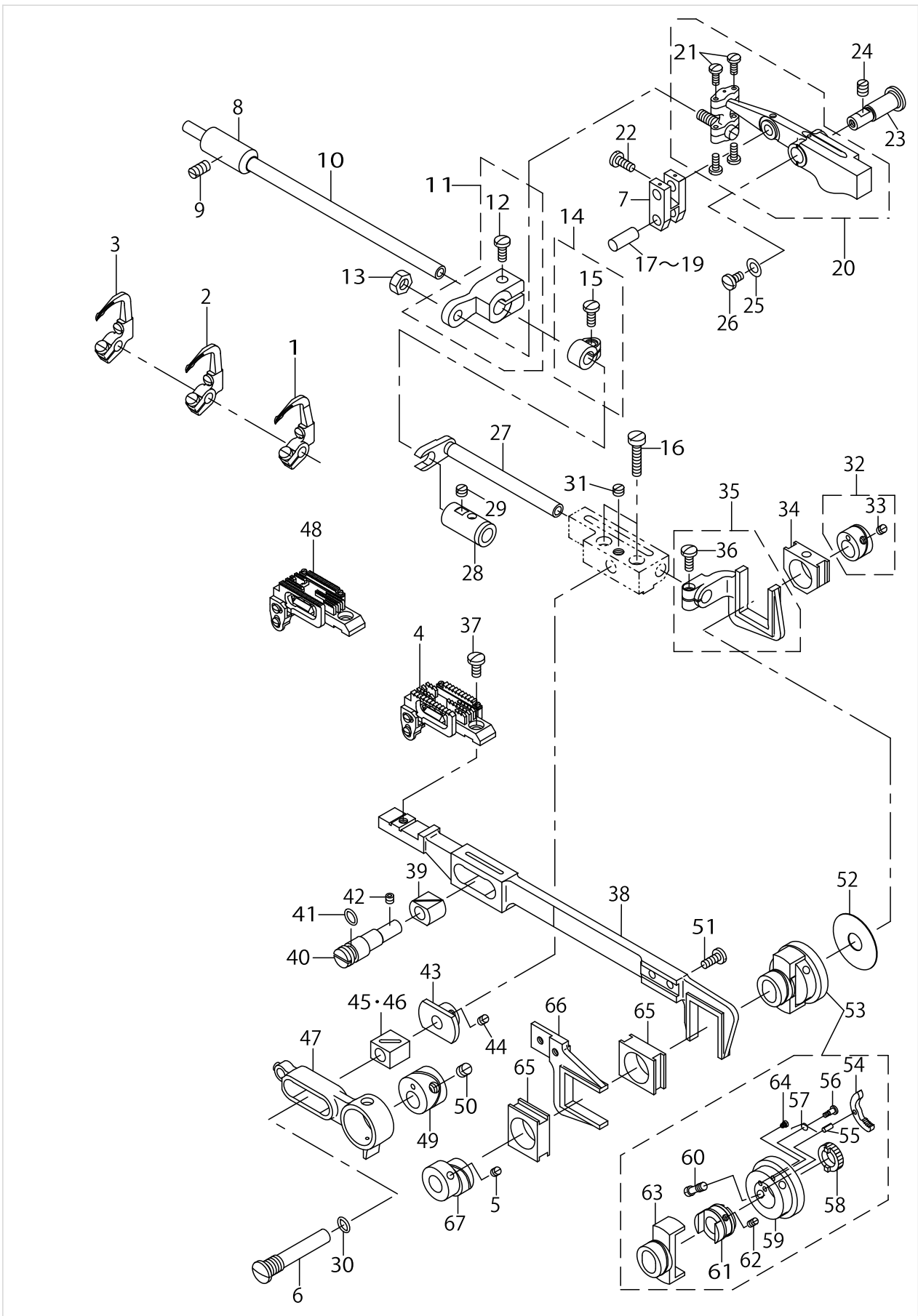
FEED MECHANISM COMPONENTS



FEED MECHANISM COMPONENTS

No.	Supply Code	Parts No.	Replacement	Parts name	Remarks	Choice	Step	Level	Cons	Qty	Rep. QTY
1		12968558		LOOPER L (1) ASM.	FOR MS-1-261/V045,-1261M/V0-45 REFER TO THE TABLE OF EXCHANGING PARTS ON P.25 AND P.29					1	
2		12968855		LOOPER R (1) ASM.	FOR MS-1-261/V045,-1261M/V0-45 REFER TO THE TABLE OF EXCHANGING PARTS ON P.25 AND P.29					1	
3		12969150		LOOPER C (1) ASM.	FOR MS-1-261/V045,-1261M/V0-45 REFER TO THE TABLE OF EXCHANGING PARTS ON P.25 AND P.29					1	
4		12963351		FEED DOG XH(1/4") ASM.	FOR MS-1-261/V045 REFER TO THE TABLE OF EXCHANGING PARTS ON P.25					1	
5		SS8660612TP		SCREW 1/4-40 L=6						2	
6		B2106026000		SLIDE BLOCK PIN						1	
7		B2115191000		FEED ROCKER CONNECTING LINK						1	
8		B2502019000		BUSHING, FRONT						1	
9	R	SS8151150SP	SS8151150TP	SCREW 15/64-28 L=10.5						1	1.00
10		12968004		LOOPER SHAFT						1	
11		B21230260A0		FEED ROCKER ASM.						1	
12		SS7111110TP		SCREW 11/64-40 L=10.5				*		1	
13		NS6150310SP		NUT 15/64-28						1	
14		B25050190A0		CONNECTION CRANK ASM.						1	
15		SS7111110TP		SCREW 11/64-40 L=10.5				*		1	
16		SS6122030SP		SCREW 3/16-28 L=20						2	
17		B211619100A		FEED CONNECTING LINK PIN A	SELECTIVE PART					2	
18		B211619100B		FEED CONNECTING LINK PIN B	SELECTIVE PART					2	
19		B2116191000		FEED CONNECTING LINK PIN	SELECTIVE PART					2	
20		B21020260A0A		FEED ROCKER ASM.						1	
21		SS7090920SP		SCREW 9/64-40 L=8.5				*		4	
22		SS7080510TP		SCREW 1/8-44 L=4.5						4	
23		B2107019000		FEED ROCKERSHAFT						1	
24	R	SS8150710SP	SS8150710TP	SCREW 15/64-28 L=7						1	1.00
25		40040608		PACKING						1	
26		SS7110830SP		SCREW 11/64-40 L= 7.5						1	
27		B2002026000A		LOOPER AVOIDING SHAFT BRACKET						1	
28		B2503019000		LOOPER ROCKER SHAFT BUSHING, R						1	

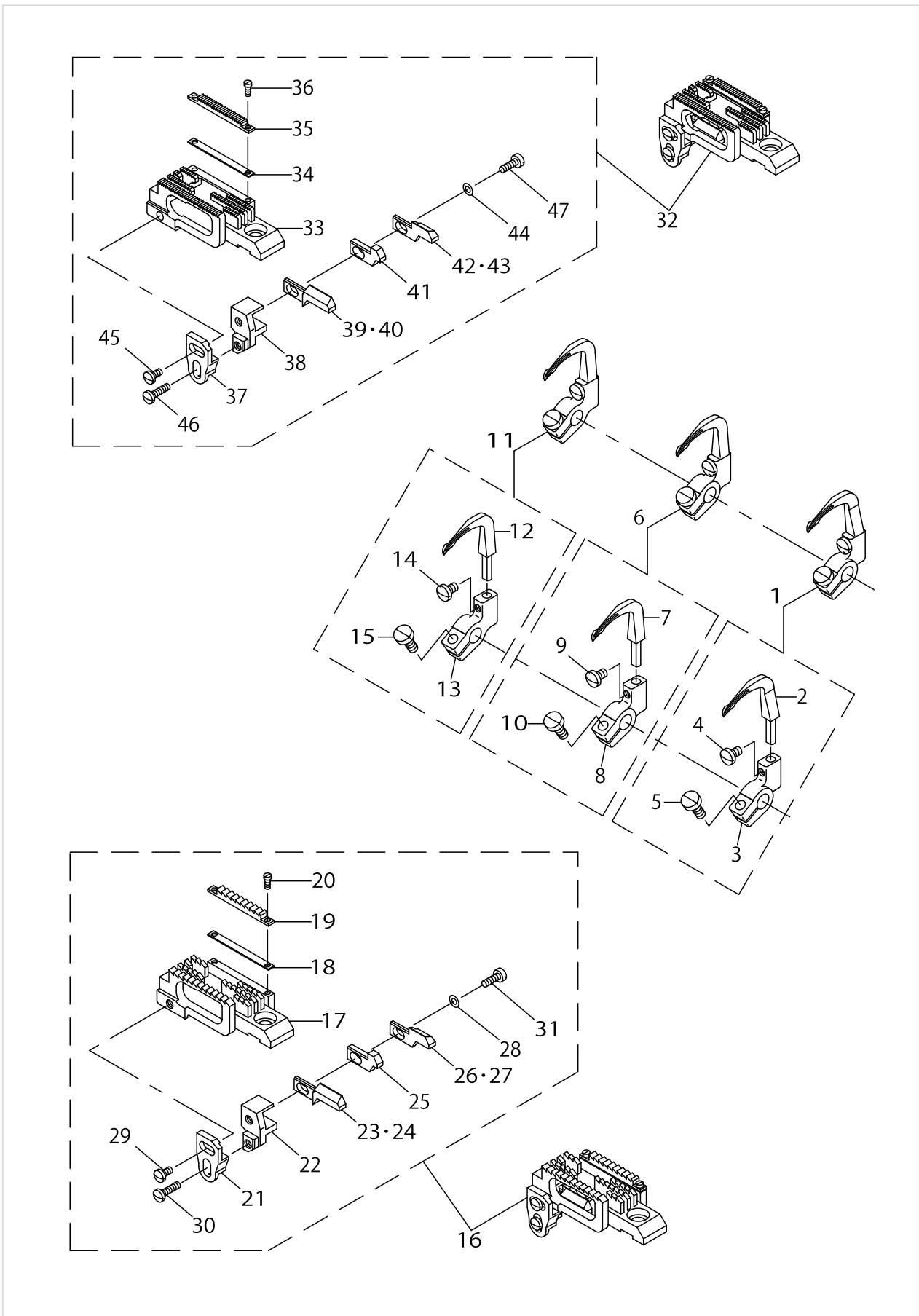
FEED MECHANISM COMPONENTS



FEED MECHANISM COMPONENTS

No.	Supply Code	Parts No.	Replacement	Parts name	Remarks	Choice	Step	Level	Cons	Qty	Rep. QTY
29		SS8150310SP		SCREW 15/64-28 L= 3.4						1	
30		RO095200100		RUBBER RING						1	
31	R	SS8150410SP	SS8150410TP	SCREW 15/64-28 L=4						1	1.00
32		B20060190A0		LOOPER AVOIDING ECCENTRIC CAM ASM.						1	
33		SS8110410TP		SCREW 11/64-40 L= 3.5				*		2	
34		B1635191000		SLIDE BLOCK						1	
35		B20012610A0		LOOPER AVOIDING SHAFT ASM.						1	
36		SS7111110TP		SCREW 11/64-40 L=10.5				*		1	
37		SS7621040SP		SCREW 3/16-32 L=9.5						1	
38		B1601026000		FEED BAR						1	
39		B1610019000		SLIDE BLOCK						1	
40		12962809		ADJUSTING SHAFT						1	
41		RO061180100		RUBBER RING						1	
42		SS8110422TP		SCREW 11/64-40 L=4						1	
43		B2108026000		SLIDE BLOCK STOPPER						1	
44	R	SS8110510SP	SS8110520TP	SCREW 11/64-40 L=5						1	1.00
45		B2105019000		FEED ROCKER SLIDE BLOCK	SELECTIVE PART					1	
46	D	B210501900A		FEED ROCKER SLIDE BLOCK	SELECTIVE PART					1	
47		B2101261000A		FEED ROCKER DRIVING LEVER						1	
48		12974952		FEED DOG MH(1/4")ASM.	FOR MS-1-261M/V045 REFER TO THE TABLE OF EXCHANGING PARTS ON P.29					1	
49		B21032610A0		FEED ECCENTRIC CAM ASM.						1	
50		SS8660612TP		SCREW 1/4-40 L=6						2	
51		SS7111110TP		SCREW 11/64-40 L=10.5						1	
52		12931903		BODY CAP						1	
53		12963062		FEED ECCENTRIC BASE ASM.						1	
54		B1624191000		RATCHET PAWL				*		1	
55		PS0250081K0		SPRING PIN 2.5X8				*		1	
56		B1626191000		SCREW				*		1	
57		B1625191000		RATCHET PAWL SPRING				*		1	
58		B1623191000		RATCHET GEAR				*		1	
59		12963005		FEED ECCENTRIC				*		1	
60		12931606		SCREW				*		1	
61		12931507		FEED ECCENTRIC BODY				*		1	
62		SS8110410TP		SCREW 11/64-40 L= 3.5				*		2	
63		B1621261000A		FEED ECCENTRIC GUIDE				*		1	
64		12931705		SCREW				*		1	
65		B1606191000		FEED ECCENTRIC SLIDE BLOCK						2	
66		B1602019000		FEED LIFTING FOR-KED CONNECTION						1	
67		12962601		FEED ECCENTRIC CAM						1	

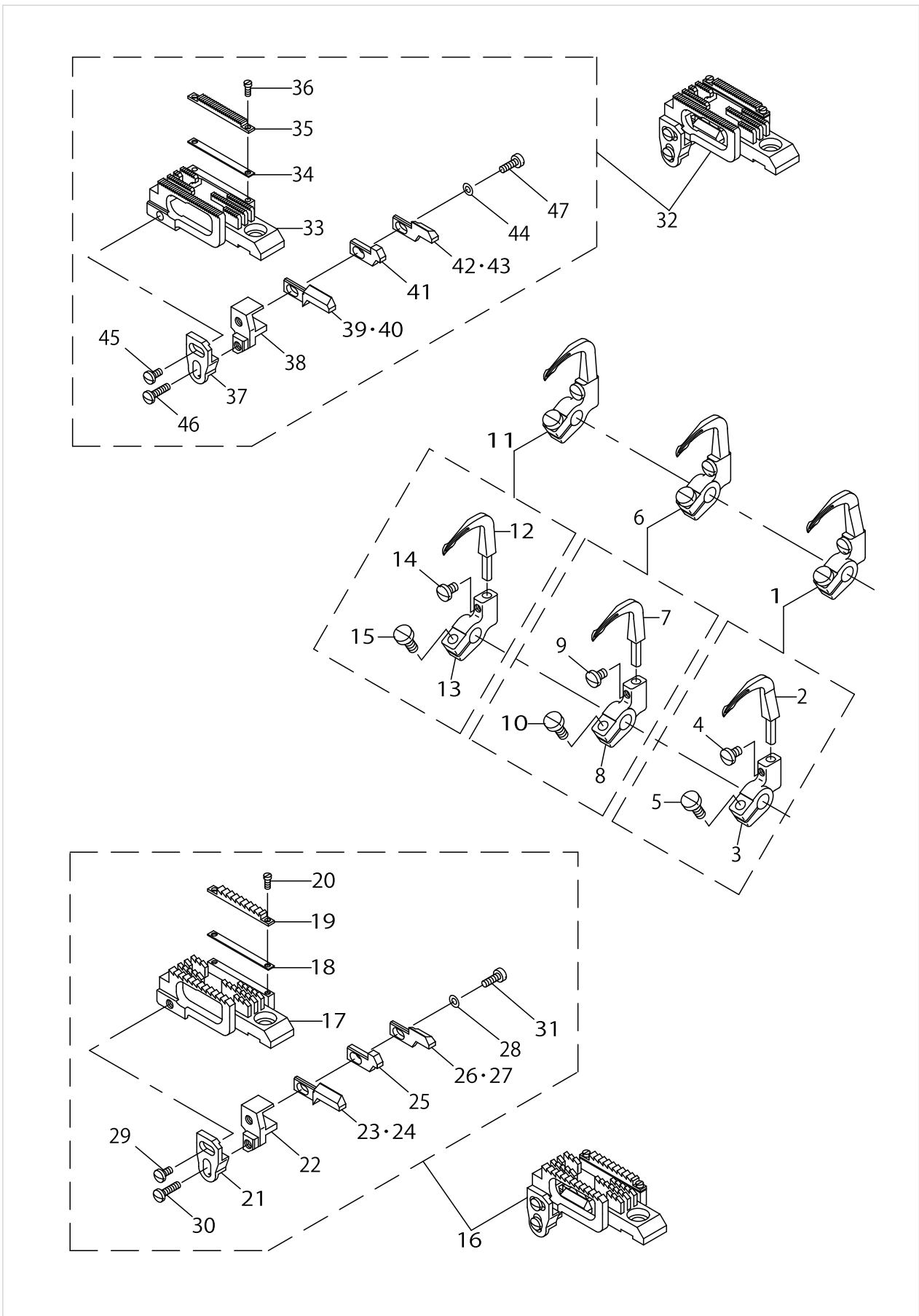
LOOPER & FEED DOG COMPONENTS



LOOPER & FEED DOG COMPONENTS

No.	Supply Code	Parts No.	Replacement	Parts name	Remarks	Choice	Step	Level	Cons	Qty	Rep. QTY
1		12968558		LOOPER L (1) ASM.	FOR MS-1-261/V045,-1261M/V0-45 REFER TO THE TABLE OF EXCHANGING PARTS ON P.25 AND P.29					1	
2		12968509		LOOPER L (1)				*		1	
3		12942009		LOOPER HOLDER,2				*		1	
4		SS7080520SP		SCREW 1/8-44 L=4.9				*		1	
5		SS7090910TP		SCREW 9/64-40 L=8.5				*		1	
6		12968855		LOOPER R (1) ASM.	FOR MS-1-261/V045,-1261M/V0-45 REFER TO THE TABLE OF EXCHANGING PARTS ON P.25 AND P.29					1	
7		12968806		LOOPER R (1)				*		1	
8		12969309		LOOPER HOLDER (3)				*		1	
9		SS7080520SP		SCREW 1/8-44 L=4.9				*		1	
10		SS7090910TP		SCREW 9/64-40 L=8.5				*		1	
11		12969150		LOOPER C (1) ASM.	FOR MS-1-261/V045,-1261M/V0-45 REFER TO THE TABLE OF EXCHANGING PARTS ON P.25 AND P.29					1	
12		12969101		LOOPER C (1)				*		1	
13		12941100		LOOPER HOLDER,1				*		1	
14		SS7080520SP		SCREW 1/8-44 L=4.9				*		1	
15		SS7090910TP		SCREW 9/64-40 L=8.5				*		1	
16		12963351		FEED DOG XH(1/4") ASM.	FOR MS-1-261/V045 REFER TO THE TABLE OF EXCHANGING PARTS ON P.25					1	
17	R	12963302	12963351	FEED DOG XH(1/4")				*		1	1.00
18		12964102		FEED DOG ADJUSTING PLATE (A)				*		1	
19		12964201		ADJUSTING FEED DOG XH				*		1	
20		12964300		ADJUSTING FEED DOG SETSCREW				*		2	
21		12964409		NEEDLE HOLDER ADJUSTING BASE				*		1	
22		12964805		NEEDLE HOLDER (A)				*		1	
23		12964508		NEEDLE HOLDER (LEFT)				*		1	
24		40080579		NEEDLE POSITIONER (L)	EXCLUSIVE OF 3/8 SIZE			*		1	
25		12964607		NEEDLE HOLDER (INSIDE)				*		1	
26		12964706		NEEDLE HOLDER (RIGHT)				*		1	
27		40080580		NEEDLE POSITIONER (R)	EXCLUSIVE OF 3/8 SIZE			*		1	
28		WP0450000SD		WASHER 4.5X8X0.5				*		1	

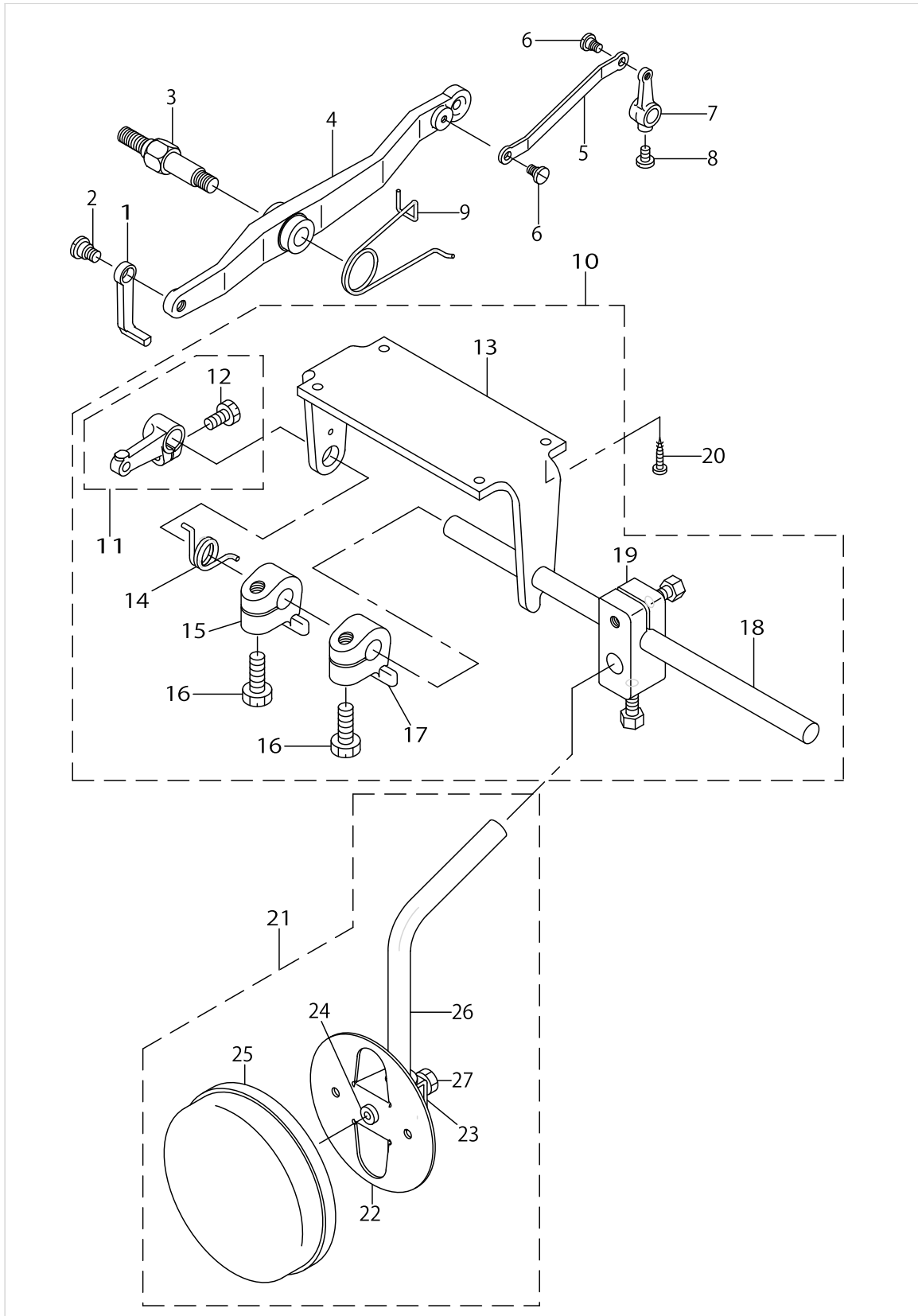
LOOPER & FEED DOG COMPONENTS



LOOPER & FEED DOG COMPONENTS

No.	Supply Code	Parts No.	Replacement	Parts name	Remarks	Choice	Step	Level	Cons	Qty	Rep. QTY
29		SS7090510SP		SCREW 9/64-40 L=4.6				*		1	
30		SS7091110TP		SCREW 9/64-40 L=10.5				*		1	
31		SS7091110TP		SCREW 9/64-40 L=10.5				*		1	
32		12974952		FEED DOG MH(1/4")ASM.	FOR MS-1-261M/V045 REFER TO THE TABLE OF EXCHANGING PARTS ON P.29					1	
33		12974903		FEED DOG MH(1/4")				*		1	
34		12964102		FEED DOG ADJUSTING PLATE (A)				*		1	
35		12975504		ADJUSTING FEED DOG MH				*		1	
36		12964300		ADJUSTING FEED DOG SETSCREW				*		2	
37		12964409		NEEDLE HOLDER ADJUSTING BASE				*		1	
38		12964805		NEEDLE HOLDER (A)				*		1	
39		12964508		NEEDLE HOLDER (LEFT)				*		1	
40		40080579		NEEDLE POSITIONER (L)	EXCLUSIVE OF 3/8 SIZE			*		1	
41		12964607		NEEDLE HOLDER (INSIDE)				*		1	
42		12964706		NEEDLE HOLDER (RIGHT)				*		1	
43		40080580		NEEDLE POSITIONER (R)	EXCLUSIVE OF 3/8 SIZE			*		1	
44		WP0450000SD		WASHER 4.5X8X0.5				*		1	
45		SS7090510SP		SCREW 9/64-40 L=4.6				*		1	
46		SS7091110TP		SCREW 9/64-40 L=10.5				*		1	
47		SS7091110TP		SCREW 9/64-40 L=10.5				*		1	

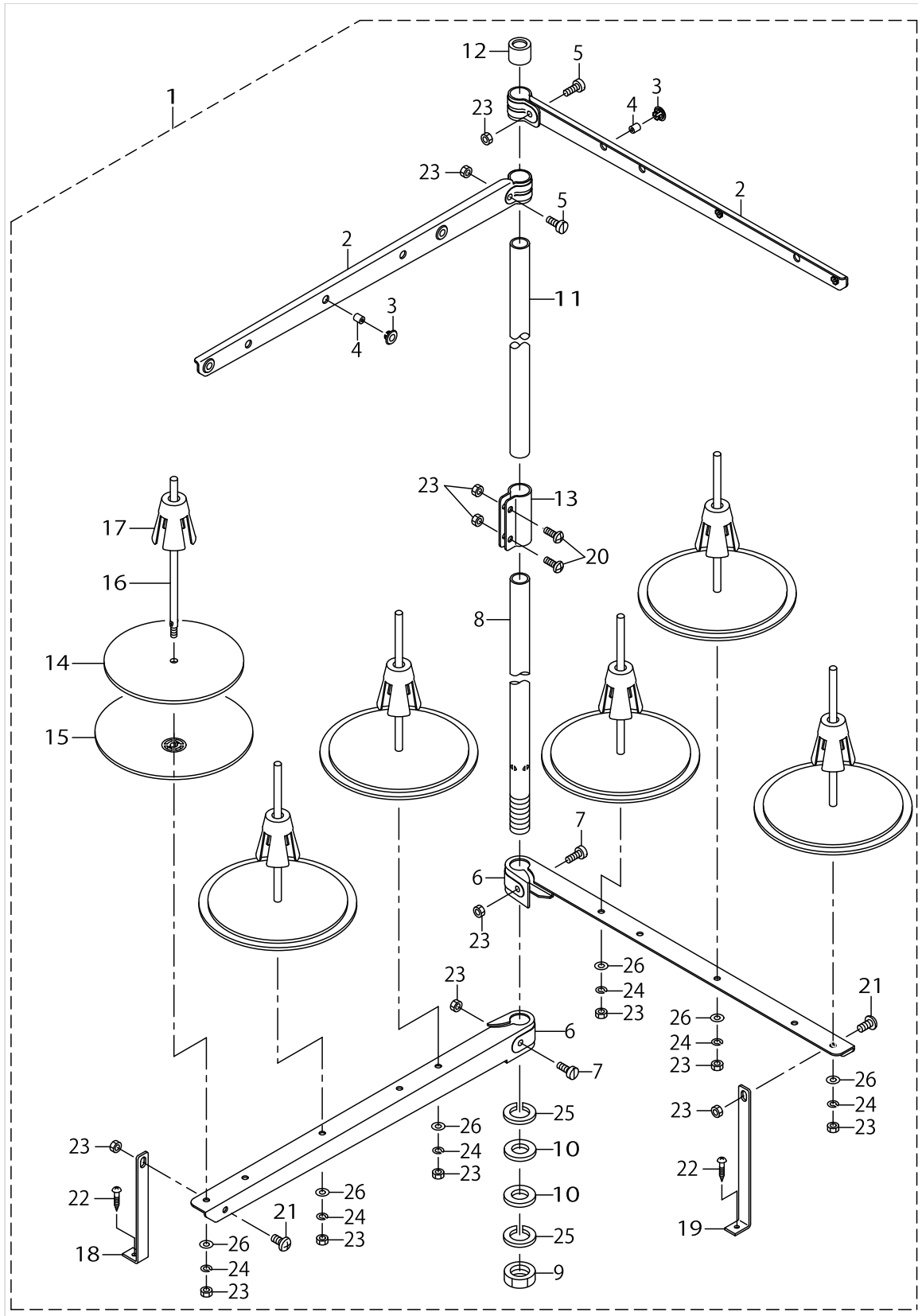
KNEE LIFTER COMPONENTS



KNEE LIFTER COMPONENTS

No.	Supply Code	Parts No.	Replacement	Parts name	Remarks	Choice	Step	Level	Cons	Qty	Rep. QTY
1		B2322019000		PRESSER BAR LIFT- ING BRACKET LIFTER						1	
2		SD0790431SP		HINGE SCREW D= 7.94 H= 4.3						1	
3		B3701019000		HINGE SCREW						1	
4		B231919100A		PRESSER BAR LIFTING LEVER						1	
5		B2315019000		TENSION RELEASIN- G CONNECTING LINK						1	
6		SD0450211SP		HINGE SCREW D= 4.50 H= 2.1						2	
7		B2317019000		TENSION RELEASIN- G SHAFT CRANK						1	
8		SS7110710SP		SCREW 11/64-40 L=7						1	
9		B2321019000		PRESSER BAR LIFT- ING LEVER SPRING						1	
10		B81011910A0		KNEE LIFTER ASM.						1	
11		B8102191000		KNEE LIFTER LEVER				*		1	
12		SS9151210TP		SCREW 15/64-28 L=11.8				*		1	
13	D	B8101191000		KNEE DRIVING SHAFT MOUNTING				*		1	
14		B8511180000		SPRING				*		1	
15		12944906		SPRING HOOK				*		1	
16		SS9182010TE		BOLT 9/32-20 L=20				*		2	
17		12944906		SPRING HOOK				*		1	
18		B3421012000		KNEE PRESS ROD				*		1	
19		22932453		BRACKET ASM.				*		1	
20		SK3452500SC		WOOD SCREW D=4.5 L=25						4	
21		22934251		KNEE PAD PLATE ASM.						1	
22		22934202		KNEE PAD PLATE				*		1	
23		22934301		KNEE PAD PLATE SUPPORT				*		1	
24		22934400		KNEE PAD PLATE RUBBER				*		1	
25		22934509		KNEE PAD PLATE COVER				*		1	
26		22934608		KNEE PAD UPRIGHT SHAFT				*		1	
27		SM9061203SE		SCREW M6 L=12				*		1	

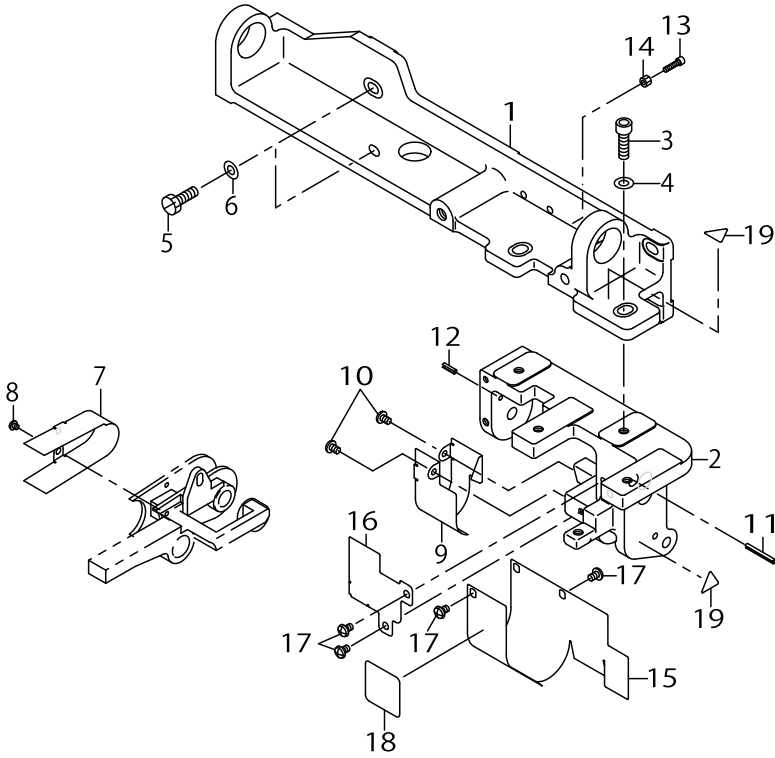
THREAD STAND COMPONENTS



THREAD STAND COMPONENTS

No.	Supply Code	Parts No.	Replacement	Parts name	Remarks	Choice	Step	Level	Cons	Qty	Rep. QTY
1		40111348		THREAD STAND ASM.						1	
2		40106575		SPOOL REST LONG ARM UPPER				*		2	
3		40085795		THREAD GUIDE BUSHING				*		6	
4		40085794		THREAD GUIDE				*		6	
5	R	40096327	SM4053001SE	SPOOL REST ARM UPPER SCREW				*		2	1.00
6		40106574		SPOOL REST LONG ARM LOWER				*		2	
7		40096326		SPOOL REST ARM LOWER SCREW				*		2	
8		40085784		SPOOL REST ROD LOWER				*		1	
9		40096325		SPOOL REST ROD NUT				*		1	
10		40085796		SPOOL REST ROD RUBBER CUSHION				*		2	
11		40085785		SPOOL REST ROD UPPER				*		1	
12		40085793		SPOOL REST ROD RUBBER CAP				*		1	
13		40085792		SPOOL REST ROD JOINT				*		1	
14		40085789		SPOOL REST CUSHION				*		6	
15		40085788		SPOOL REST				*		6	
16		40085790		SPOOL PIN				*		6	
17		40085791		SPOOL RETAINER				*		6	
18		40106577		SPOOL REST ARM LOWER A				*		1	
19		40106578		SPOOL REST ARM LOWER B				*		1	
20		SM4051405SE		SCREW M5 L=14				*		2	
21		SM4051001SE		SCREW M5 L=10				*		2	
22		SK3412001SE		WOOD SCREW D=4.1 L=20				*		2	
23		NM6050001SE		NUT M5				*		14	
24		WP0531001SC		WASHER M5				*		6	
25		WP1612616SE		WASHER 16X30X2.6				*		2	
26		WS0510002KN		SPRING WASHER M5				*		6	

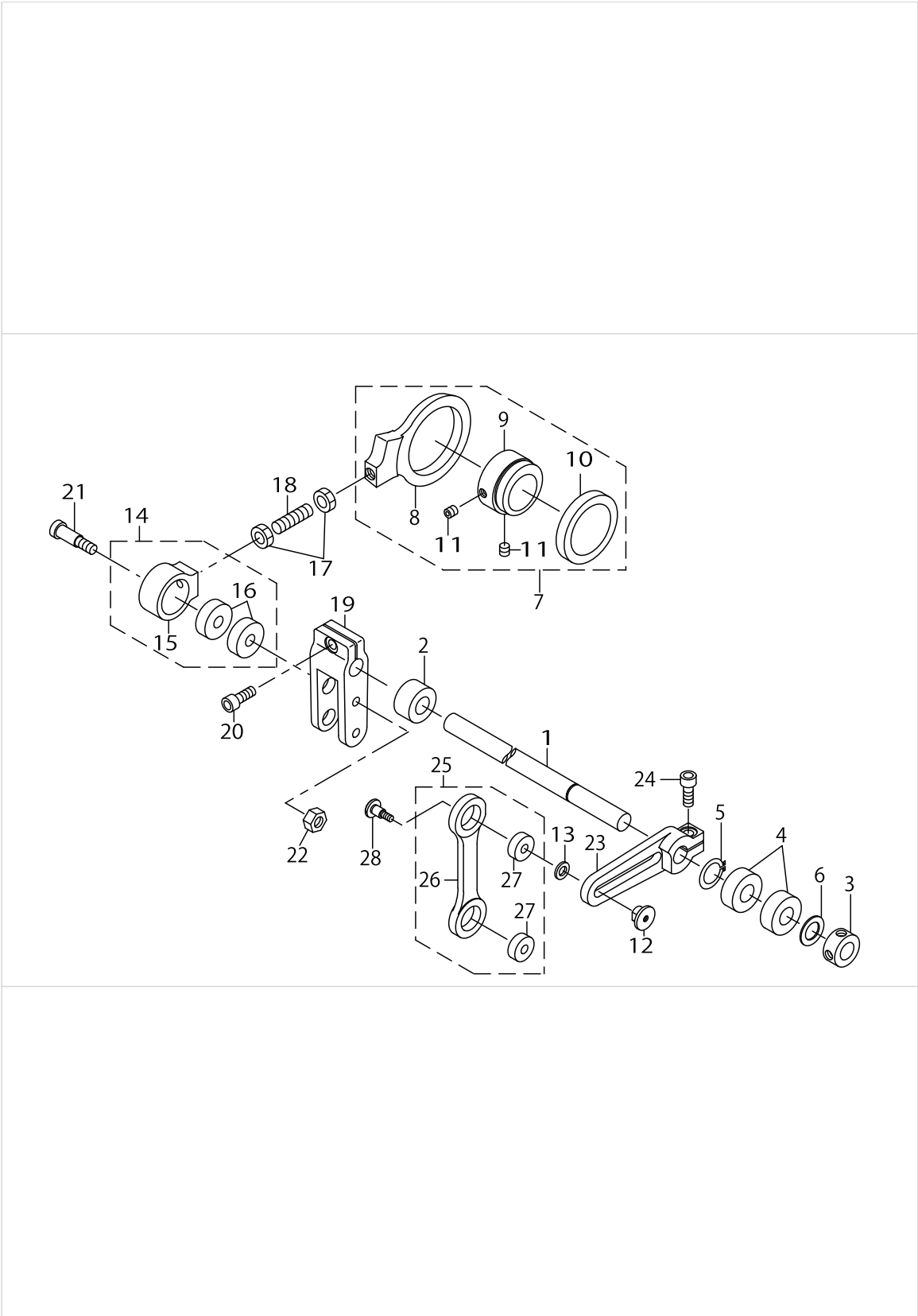
FRAME & COVER COMPONENTS



FRAME & COVER COMPONENTS

No.	Supply Code	Parts No.	Replacement	Parts name	Remarks	Choice	Step	Level	Cons	Qty	Rep. QTY
1		MAV04501000		MAIN BASE						1	
2		MAV04502000		CLUTCH BASE						1	
3		SM6062002TP		SCREW M6 L=20						2	
4		WP0641600SC		WASHEW6.4X12.5X1.6						2	
5		SM9061850SC		SCREW M6 L=18						4	
6		WP0641600SC		WASHEW6.4X12.5X1.6						4	
7		MAV04503000		ROLLER COVER						1	
8		SM5030355SE		SCREW						2	
9		MAV04504000		INTERMEDIATE PULLEY COVER						1	
10		SM5040655SN		SCREW						3	
11		PS0300242K0		SPRING PIN 3.0X24						1	
12		PS0300102K0		SPRING PIN 3.0X10						1	
13		SM6031202TP		SCREW M3X0.5 L=12						1	
14		NM6030003SC		NUT M3						1	
15		40138862		CLUTCH COVER A						1	
16		40138863		CLUTCH COVER B						1	
17		SM5040655SN		SCREW						5	
18	D	MAV04507000		MODEL PLATE						1	
19		CM300200001		ATTENTION SEAL	FOR USE IN JAPAN, JE					2	

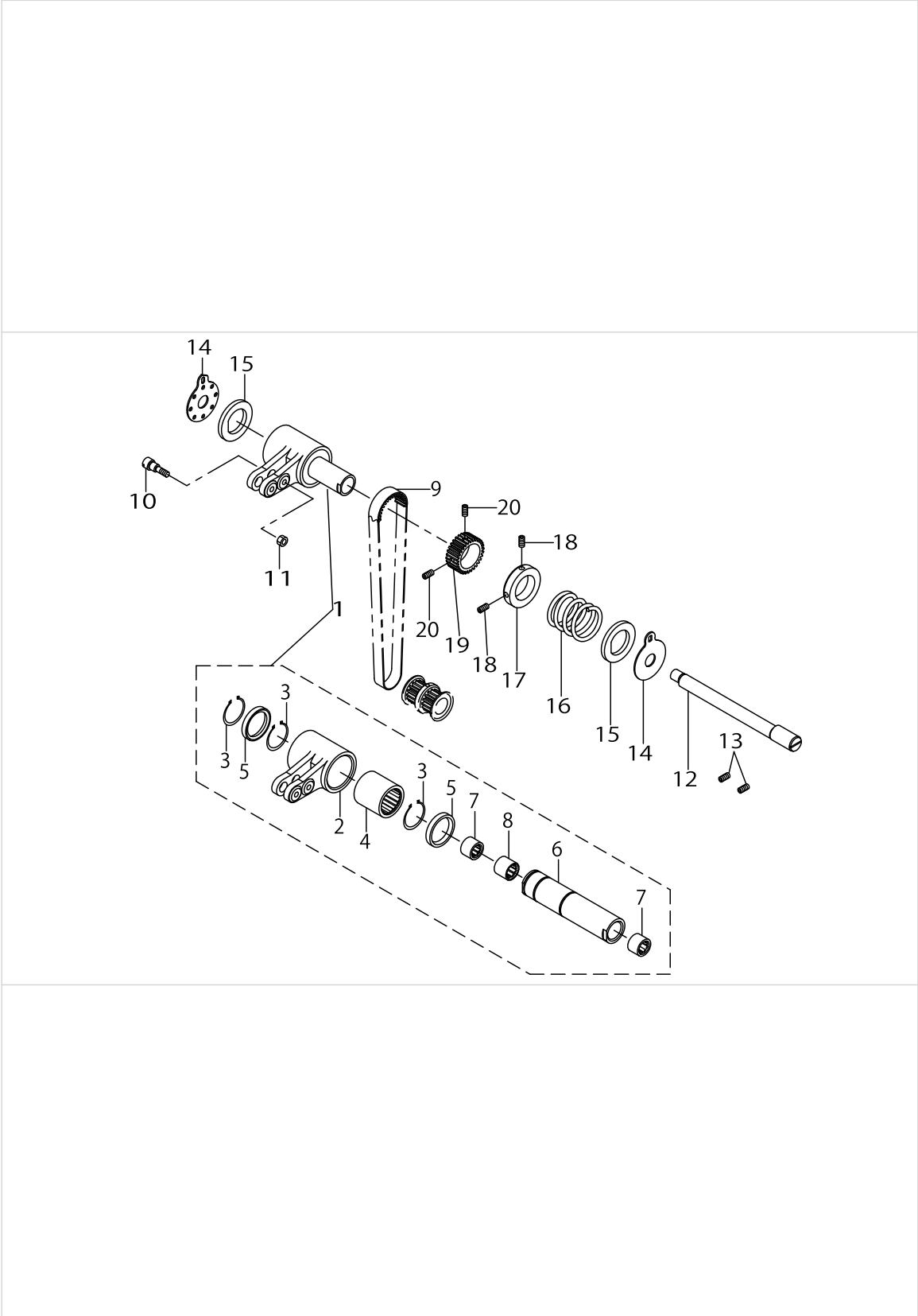
DRIVE COMPONENTS



DRIVE COMPONENTS

No.	Supply Code	Parts No.	Replacement	Parts name	Remarks	Choice	Step	Level	Cons	Qty	Rep. QTY
1		MAV04515000		ROCKING SHAFT						1	
2		SB212000100		BEARING						1	
3		CS1201010SH		THRUST COLLAR ASM. D=12 W=10						1	
4		SB112000500		BEARING						2	
5		RC1200001KP		C-SHAPED SNAP RING						1	
6		WP1221016SP		WASHER						1	
7		MAV045160B0		ROCKING CRANK ASM., B						1	
8		MAV04516000		ROCKING CRANK				*		1	
9		MAV04517000		ECCENTRIC SHAFT				*		1	
10		SB135000300		BEARING				*		1	
11		SM8060602TP		SCREW M6X6				*		2	
12		MAV04522000		ADJUSTING PIN						1	
13		WP0641600SC		WASHEW6.4X12.5X1.6						1	
14		MAV045180A0		ROCKING CRANK HOUSING ASM.						1	
15		MAV04518000		ROCKING CRANK HOUSING				*		1	
16		SB108000600		BEARING				*		2	
17		NM6080003SC		NUT M8						2	
18		SM8082502TP		SCREW						1	
19		MAV04519000		ROCKING ROD						1	
20		SM6061602TP		SCREW M6 L=16						1	
21		SD0801606SH		STEP-SCREW						1	
22		NM6060003SC		NUT M6						1	
23		MAV04520000		ADJUSTING ROD						1	
24		SM6061602TP		SCREW M6 L=16						1	
25		MAV045210A0		JOINT ROD ASM.						1	
26		MAV04521000		JOINT ROD				*		1	
27		SB106000200		BEARING 6X17				*		2	
28		40076305		ADJUSTING_SHAFT						1	

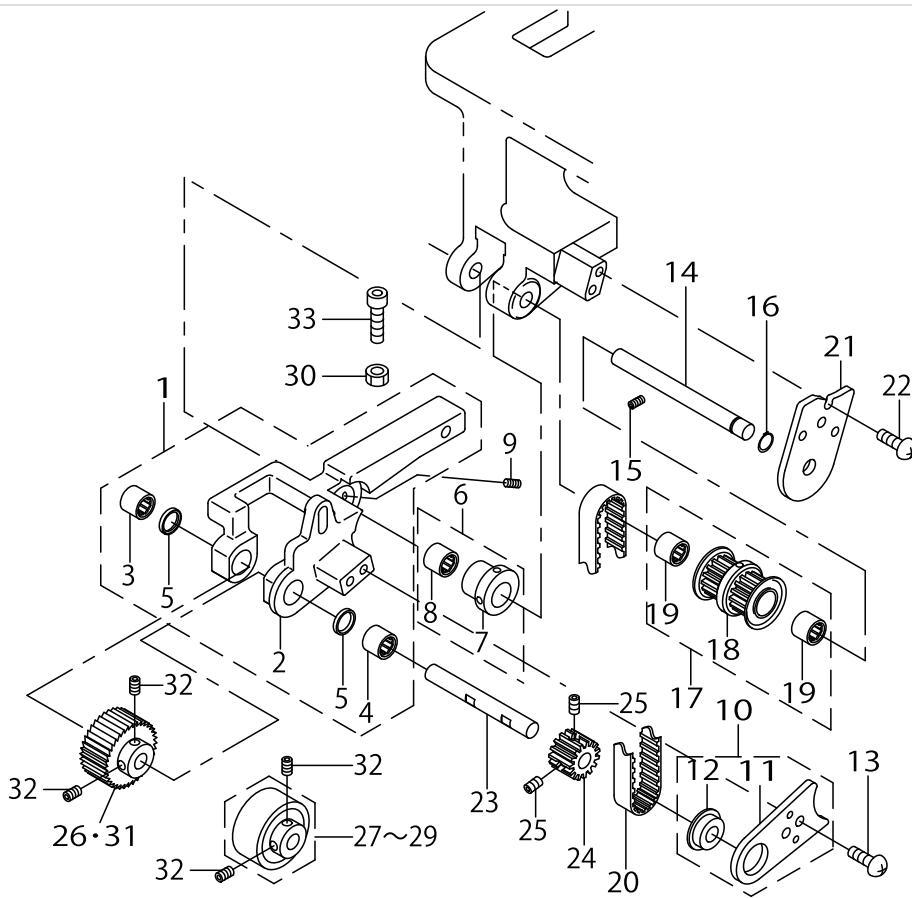
CLUTCH COMPONENTS



CLUTCH COMPONENTS

No.	Supply Code	Parts No.	Replacement	Parts name	Remarks	Choice	Step	Level	Cons	Qty	Rep. QTY
1		40138864		CLUTCH CASE ASM.						1	
2		40138860		CLUTCH CASE				*		1	
3		RC1851217KP		C-RING				*		3	
4		MAV04524000		ROLLER CLUTCH				*		1	
5		MAV04534000		CLUTCH OIL SHIEL				*		2	
6		MAV04526000A		CLUTCH ROCKING SHAFT				*		1	
7		SB310000300		BALL BEARING				*		2	
8		SB310000700		BALL BEARING				*		1	
9		MAV04533000		CLUTCHTIMINGBELT						1	
10		SD0600596SH		STEP-SCREW						1	
11		NM6040003SC		NUT M4						1	
12		MAV04527000		CLUTCH SHAFT						1	
13		SM8050602TP		SCREW M5 L=6						2	
14		40011122		BRAKE PLATE						2	
15		MAV04529000		BRAKE WASHER						2	
16		MAV04530000		BRAKE SPRING						1	
17		MAV04531000		CLUTCH BRAKE COLLER						1	
18		SM8040602TP		SCREW M4X0.7 L=6						2	
19		MAV04532000		CLUTCH PULLEY						1	
20		SM8040302TP		SETSCREW						2	

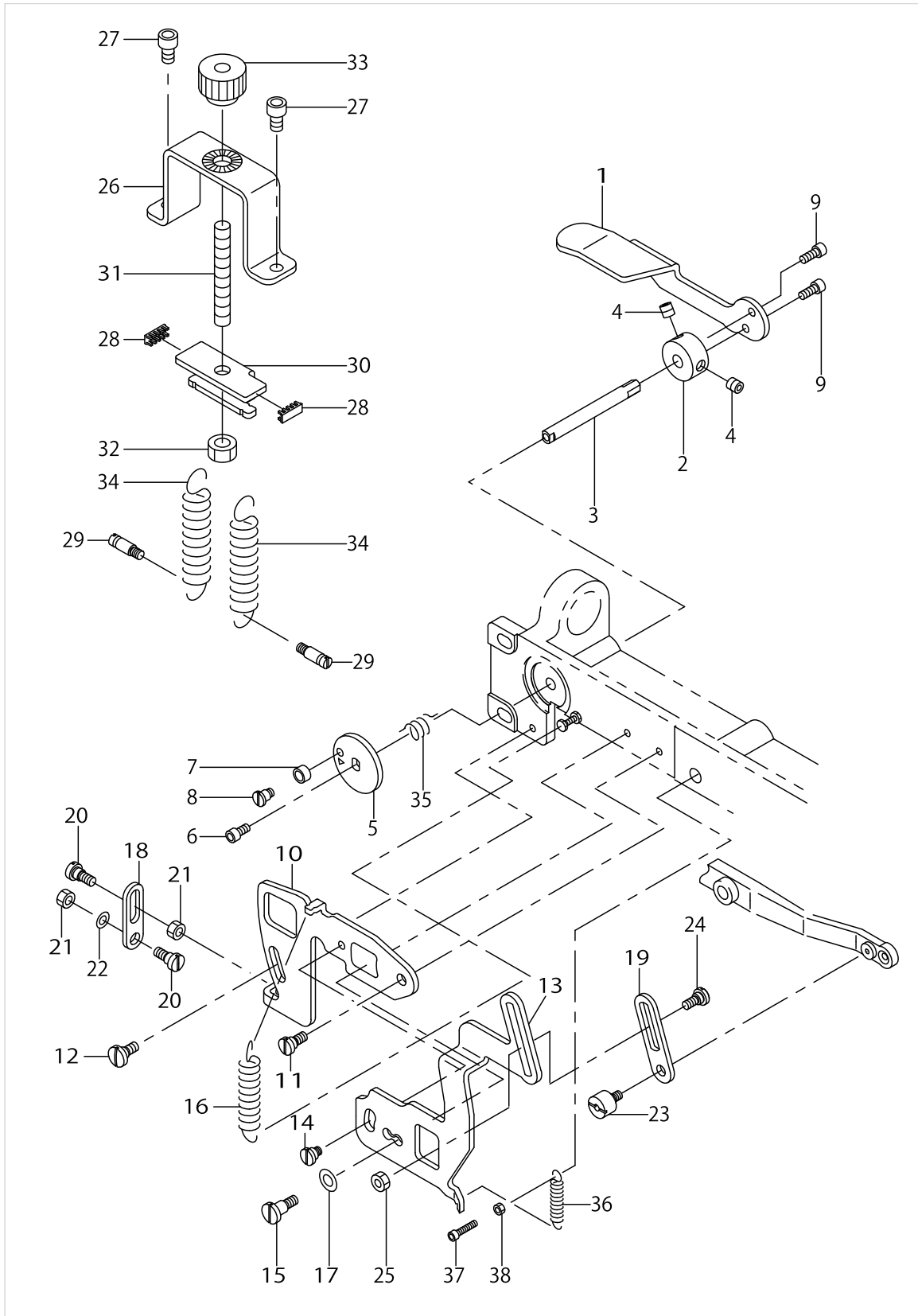
ROLLER DRIVE COMPONENTS



ROLLER DRIVE COMPONENTS

No.	Supply Code	Parts No.	Replacement	Parts name	Remarks	Choice	Step	Level	Cons	Qty	Rep. QTY
1		MAV045350A0		ROLLER BASE ASM.						1	
2		MAV04535000		ROLLER BASE				*		1	
3		SB307000500		BEARING				*		1	
4		SB307000400		BEARING				*		1	
5		MAV04546000		ROLLER SHAFT OIL SHIEL				*		2	
6		MAV045360A0		ECCENTRIC COLLER ASM.						1	
7		MAV04536000		ROLLER BASE ECC- ENTRIC COLLER				*		1	
8		SB307000400		BEARING				*		1	
9		SM8040402TP		SCREW M4X0.7 L=4						1	
10		MAV045470A0		ROLLER SHAFT PLATE ASM.						1	
11		MAV04547000		ROLLER SHAFT PLATE				*		1	
12		SB107000100		BEARING				*		1	
13		SM6040802TP		SCREW M4X0.7 L=8						2	
14		MAV04537000		PULLEY SHAFT						1	
15		SM8050502TP		SCREW M5 L=5						1	
16		RC0650811KP		RETAINING RING						1	
17		MAV045380B0		INTERMEDIATE PULLEY ASM.						1	
18		MAV045380A0		INTERMEDIATE PULLEY ASM.				*		1	
19		SB307000400		BEARING				*		2	
20		MAV04541000		ROLLER TIMING BELT						1	
21		40138861		SUPPORT PLATE						1	
22		SM6040802TP		SCREW M4X0.7 L=8						2	
23		MAV04543000		ROLLER SHAFT						1	
24		MAV04544000		ROLLER PULLEY						1	
25		SM8040602TP		SCREW M4X0.7 L=6						2	
26		MAV04545000		STEEL ROLLER	SELECTIVE PART					1	
27		MAV045500A0		URETHANE ROLLER ASM.	SELECTIVE PART					1	
28		40062288		URETHANE ROLLER (80) ASM.	FOR OPTI- ONAL PART					1	
29		40065076		URETHANE ROLLER (70) ASM.	FOR OPTI- ONAL PART					1	
30		NM6060003SC		NUT M6						1	
31		MAV0454500D		STEEL ROLLER	FOR OPTI- ONAL PART					1	
32		SM8040402TP		SCREW M4X0.7 L=4						2	
33		SM6062002TP		SCREW M6 L=20						1	

PRESSER COMPONENTS

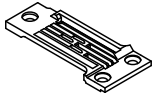
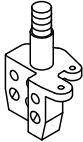



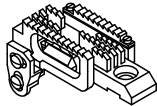



PRESSER COMPONENTS

No.	Supply Code	Parts No.	Replacement	Parts name	Remarks	Choice	Step	Level	Cons	Qty	Rep. QTY
1		MAV04555000		PRESSER LIFTING LEVER						1	
2		MAV04556000		PRESSER LIFTING LEVER COLLER						1	
3		MAV04557000		PRESSER LIFTING SHAFT						1	
4		SM8060602TP		SCREW M6X6						2	
5		MAV04558000		PRESSER LIFTING CAM PLATE						1	
6		SM6040802TP		SCREW M4X0.7 L=8						1	
7		D2587L8WB00		ROLLER						1	
8		SD0550451SP		HINGE SCREW						1	
9		SM6041002TP		SCREW M4 L=10						2	
10		MAV04559000		PRESSER LIFTING PLATE						1	
11		SD0640325SP		HINGE SCREW						1	
12		SD0600361SP		HINGE SCREW D=6 H=3.6						1	
13		MAV04560000		PRESSER LIFTING JOINT PLATE						1	
14		SD0640321TP		HINGE SCREW D=6.35 H=3.2						1	
15		SD0640751SP		HINGE SCREW D= 6.35 H= 7.5						1	
16		B2056781000		BLOCKING ARM SPRING						1	
17		WP0651056SH		WASHER 6.5X11X1						1	
18		MAV04561000		PRESSER LIFTING ROD						1	
19		MAV04616000		PRESSER LIFTING LINK						1	
20		SD0600402TP		HINGE SCREW D= 6 H= 4						2	
21		NS6620310SP		NUT 3/16-32						2	
22		WP0480856SP		WASHER 4.8X8.4X0.8						1	
23		MAV04562000		KNEE LIFTER LEVER COLLER						1	
24		SD0600271SP		HINGE SCREW D= 6 H= 2.7						1	
25		NS6110420SP		NUT 11/64-40						1	
26		MAV04564000		PRESSER LIFTING BASE						1	
27		SM6061002TP		SCREW M6 L=10						2	
28		MAV04565000		SPRING PLATE COVER						2	
29		26226407		TENSION SPRING HOOK						2	
30		MAV04566000		SPRING PLATE						1	
31		MAV04567000		PRESSER ADJUSTING SCREW						1	
32		NM6080001SC		NUT M8X1.25						1	
33		MAV04568000		PRESSER ADJUSTING KNOB						1	
34		MAV04569000		PRESSER SPRING						2	
35		MAV04563000		PRESSER LIFTING LEVER SPRING						1	
36	R	13515606	26226209	SPRING						1	1.00
37		SM6031402TP		SCREW						1	
38		NM6030003SC		NUT M3						1	

TABLE OF EXCHANGING GAUGE PARTS (1)

MS-1261/V045 (For Extra heavy-weight)
MS-1261/V045 (極厚物用)

Description 品名			Gauge set (with finger guard) ゲージセット (指ガード付)		Throat plate 針板		Needle clamp asm. 針留(組)		Presser foot asm. (with finger guard) 押さえ(組) (指ガード付)	
Needle gauge size 針幅										
Code ゲージ 記号										
	inch	mm	Ref.No	Part No.	Ref.No	Part No.	Ref.No	Part No.	Ref.No	Part No.
E	7/32	5.6	1	12953360	6	12953303	11	12956355	16	12960167
F	1/4	6.4	2	12953261	7	12953204	12	12956256	17	12960068
G	9/32	7.2	3	12953469	8	12953402	13	12956454	18	12960266
H	5/16	8.0	4	12953568	9	12953501	14	12956553	19	12960365
K	3/8	9.5	5	12953667	10	12953600	15	12956652	20	12960464

Description 品名			Feed dog asm. 送り歯(組)		Looper asm. (L) ルーバ(L)(組)			Looper asm. (R) ルーバ(R)(組)			Looper asm. (C) ルーバ(C)(組)		
Needle gauge size 針幅													
Code ゲージ 記号													
	inch	mm	Ref.No	Part No.	Ref.No	Part No.	Mark No	Ref.No	Part No.	Mark No	Ref.No	Part No.	Mark No
E	7/32	5.6	21	12963450	26	12968558	1	28	12968855	1	30	12969150	1
F	1/4	6.4	22	12963351		↑	1		↑	1		↑	1
G	9/32	7.2	23	12963559		↑	1		↑	1		↑	1
H	5/16	8.0	24	12963658	27	12968657	2	29	12968954	2		↑	1
K	3/8	9.5	25	12963757		↑	2		↑	2		↑	1

MS-1261/V045 (For Heavy-weight) Option
MS-1261/V045 (厚物用) オプション

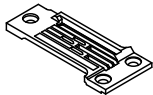
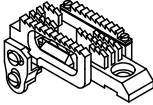
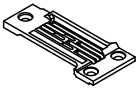
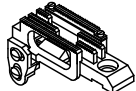

Description 品名			Gauge set ゲージセット		Throat plate 針板		Feed dog asm. 送り歯(組)	
Needle gauge size 針幅								
Code ゲージ 記号								
	inch	mm	Ref.No	Part No.	Ref.No	Part No.	Ref.No	Part No.
E	7/32	5.6	31	12972253	36	12972204	41	12974259
F	1/4	6.4	32	12972154	37	12972105	42	12974150
G	9/32	7.2	33	12972352	38	12972303	43	12974358
H	5/16	8.0	34	12972451	39	12972402	44	12974457
K	3/8	9.5	35	12972550	40	12972501	45	12974556

TABLE OF EXCHANGING GAUGE PARTS (1)

No.	Supply Code	Parts No.	Replacement	Parts name	Remarks	Choice	Step	Level	Cons	Qty	Rep. QTY
1		12953360		GAUGE SET 7/32 (FINGER GUARD)						1	
2		12953261		GAUGE SET 1/4 (FINGER GUARD)						1	
3		12953469		GAUGE SET 9/32 (FINGER GUARD)						1	
4		12953568		GAUGE SET 5/16 (FINGER GUARD)						1	
5		12953667		GAUGE SET 3/8 (FINGER GUARD)						1	
6		12953303		THROAT PLATE XH 7/32						1	
7		12953204		THROAT PLATE XH (1/4")						1	
8		12953402		THROAT PLATE XH 9/32						1	
9		12953501		THROAT PLATE XH 5/16						1	
10		12953600		THROAT PLATE XH 3/8						1	
11		12956355		NEEDLE CLAMP 7/32" ASM.						1	
12		12956256		NEEDLE CLAMP (1/4") ASM.						1	
13		12956454		NEEDLE CLAMP 9/32" ASM.						1	
14		12956553		NEEDLE CLAMP 5/16" ASM.						1	
15		12956652		NEEDLE CLAMP 3/8" ASM.						1	
16		12960167		PRESSER FOOT 7/32" ASM.						1	
17		12960068		PRESSER 1/4" (ASM) EXPORT						1	
18		12960266		PRESSER FOOT 9/32" ASM.						1	
19		12960365		PRESSER FOOT 5/16" ASM.						1	
20		12960464		PRESSER FOOT 3/8" ASM.						1	
21		12963450		FEED DOG XH ASM. 7/32						1	
22		12963351		FEED DOG XH(1/4") ASM.						1	
23		12963559		FEED DOG XH ASM. 9/32						1	
24		12963658		FEED DOG XH ASM. 5/16						1	
25		12963757		FEED DOG XH ASM. 3/8						1	
26		12968558		LOOPER L (1) ASM.						1	
27		12968657		LOOPER L (2) ASM.						1	
28		12968855		LOOPER R (1) ASM.						1	
29		12968954		LOOPER R (2) ASM.						1	
30		12969150		LOOPER C (1) ASM.						1	
31	D	12972253		GAUGE SET 7/32						1	
32		12972154		GAUGE SET 1/4						1	
33	D	12972352		GAUGE SET 9/32						1	
34		12972451		GAUGE SET 5/16						1	
35		12972550		GAUGE SET 3/8						1	
36		12972204		THROAT PLATE H 7/32						1	
37		12972105		THROAT PLATE H 1/4" ASM.						1	
38		12972303		THROAT PLATE H 9/32						1	
39		12972402		THROAT PLATE H 5/16						1	
40		12972501		THROAT PLATE H 3/8						1	
41		12974259		FEED DOG H 7/32" ASM.						1	
42		12974150		FEEDDOG H 1/4" ASM.						1	
43		12974358		FEED DOG H 9/32" ASM.						1	
44		12974457		FEED DOG H 5/16" ASM.						1	
45		12974556		FEEDDOG H 3/8" ASM.						1	

TABLE OF EXCHANGING GAUGE PARTS (2)

MS-1261/V045(For Medium-weight)
MS-1261/V045(中厚物用)

Model 機種	Description 品名		Gauge set (with finger guard) ゲージセット (ガード付)		Throat plate 針板		Feed dog asm. 送り歯(組)		Thread guide 針糸系案内		
	Needle gauge size 針幅										
	Code ゲージ 記号										
	inch	mm	Ref.No	Part No.	Ref.No	Part No.	Ref.No	Part No.	Ref.No	Part No.	
MS-1261 /V045	E	7/32	5.6	1	12972956	6	12972907	11	12975058	16	B1130051000
	F	1/4	6.4	2	12972857	7	12972808	12	12974952		↑
	G	9/32	7.2	3	12973053	8	12973004	13	12975157		↑
	H	5/16	8.0	4	12973152	9	12973103	14	12975256		↑
	K	3/8	9.5	5	12973251	10	12973202	15	12975355		↑

V045-Option
V045-オプション

Spacer for presser 押さえ用スベ-サ				Screw for spacer スベ-サ取付けねじ			Spacer for feed dog 送り歯用スベ-サ			
Thickness 板厚(mm)	Ref.No	Part No. 品番	Description 品名	Ref.No	Part No. 品番	Qty 個数	Thickness 板厚(mm)	Ref.No	Part No. 品番	Description 品名
0.3	19	12973509	Adjusting plate B 押さえ調節板 B	24	SS5060310SP	2	0.3	26	12975702	Adjusting plate B 送り歯調節板 B
0.5	20	12973608	Adjusting plate C 押さえ調節板 C		↑	2	0.5	27	12964102	Adjusting plate A 送り歯調節板 A
0.8	21	12973707	Adjusting plate D 押さえ調節板 D	25	SS5060410SP	2	0.8	17	12975801	Adjusting plate C 送り歯調節板 C
1.0	22	12962106	Adjusting plate A 押さえ調節板 A		↑	2	1.0	18	12975900	Adjusting plate D 送り歯調節板 D
1.2	23	12973806	Adjusting plate E 押さえ調節板 E		↑	2				

The spacer and installing screws are not included in gauge set.

スベ-サおよびスベ-サ取付けねじは、ゲージセットには含まれません。

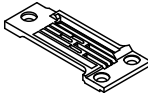
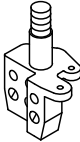

The spacer is not included in gauge set.
スベ-サは、ゲージセットには含まれません。

TABLE OF EXCHANGING GAUGE PARTS (2)

No.	Supply Code	Parts No.	Replacement	Parts name	Remarks	Choice	Step	Level	Cons	Qty	Rep. QTY
1		12972956		GAUGE SET 7/32						1	
2		12972857		GAUGE SET 1/4						1	
3		12973053		GAUGE SET 9/32						1	
4		12973152		GAUGE SET 5/16						1	
5		12973251		GAUGE SET 3/8						1	
6		12972907		THROAT PLATE MH 7/32						1	
7		12972808		THROAT PLATE MH (1/4")						1	
8		12973004		THROAT PLATE MH 9/32						1	
9		12973103		THROAT PLATE MH 5/16						1	
10		12973202		THROT PLATE 3/8						1	
11		12975058		FEED DOG MH ASM. 7/32						1	
12		12974952		FEED DOG MH(1/4")ASM.						1	
13		12975157		FEED DOG MH 9/32" ASM.						1	
14		12975256		FEED DOG MH ASM. 5/16						1	
15		12975355		FEED DOG MH 3/8" ASM.						1	
16		B1130051000		FRAME THREAD GUIDE, MIDDLE						1	
17		12975801		ADJUSTING PLATE C						1	
18		12975900		ADJUSTING PLATE D						1	
19		12973509		ADJUSTING PLATE, B						1	
20		12973608		PRESSER ADJUSTING PLATE (C)						1	
21		12973707		ADJUSTING PLATE, D						1	
22		12962106		PRESSER ADJUSTING PLATE (A)						1	
23		12973806		ADJUSTING PLATE E						1	
24		SS5060310SP		SCREW 3/32-56 L=2.8						2	
25		SS5060410SP		SCREW 3/32-56 L=3.5						2	
26		12975702		ADJUSTING PLATE B						1	
27		12964102		FEED DOG ADJUSTING PLATE (A)						1	

TABLE OF EXCHANGING GAUGE PARTS (3)

MS-1261M/V045 (For Medium-Weight)
MS-1261M/V045 (中厚物用)

Description 品名			Gauge set (with finger guard) ゲージセット (指ガード付)		Throat plate 針板		Needle clamp asm. 針留(組)		Presser foot asm. (with finger guard) 押さえ(組) (指ガード付)	
Needle gauge size 針幅										
Code ゲージ 記号										
	inch	mm	Ref.No	Part No.	Ref.No	Part No.	Ref.No	Part No.	Ref.No	Part No.
E	7/32	5.6	1	1297 2 9 7 2	6	1297 2 9 0 7	11	12956355	16	129601 8 3
F	1/4	6.4	2	1297 2 8 7 3	7	1297 2 8 0 8	12	12956256	17	129600 8 4
G	9/32	7.2	3	1297 3 0 7 9	8	1297 3 0 0 4	13	12956454	18	129602 8 2
H	5/16	8.0	4	1297 3 1 7 8	9	1297 3 1 0 3	14	12956553	19	129603 8 1
K	3/8	9.5	5	1297 3 2 7 7	10	1297 3 2 0 2	15	12956652	20	129604 8 0

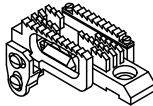

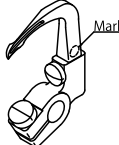
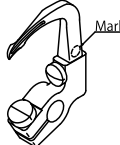
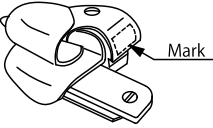
Description 品名			Feed dog asm. 送り歯(組)		Looper asm. (L) ルーバ(L)(組)			Looper asm. (R) ルーバ(R)(組)			Looper asm. (C) ルーバ(C)(組)		
Needle gauge size 針幅													
Code ゲージ 記号													
	inch	mm	Ref.No	Part No.	Ref.No	Part No.	Mark No	Ref.No	Part No.	Mark No	Ref.No	Part No.	Mark No
E	7/32	5.6	21	1297 5 0 5 8	26	12968558	1	28	12968855	1	30	12969150	1
F	1/4	6.4	22	1297 4 9 5 2		↑	1		↑	1		↑	1
G	9/32	7.2	23	1297 5 1 5 7		↑	1		↑	1		↑	1
H	5/16	8.0	24	1297 5 2 5 6	27	12968657	2	29	12968954	2		↑	1
K	3/8	9.5	25	1297 5 3 5 5		↑	2		↑	2		↑	1

TABLE OF EXCHANGING GAUGE PARTS (3)

No.	Supply Code	Parts No.	Replacement	Parts name	Remarks	Choice	Step	Level	Cons	Qty	Rep. QTY
1		12972972		GAUGE SET 7/32" (- FINGER GUARD)						1	
2		12972873		GAUGE SET 1/4" (FINGER GUARD)						1	
3		12973079		GAUGE SET 9/32" (- FINGER GUARD)						1	
4		12973178		GAUGE SET 5/16" (- FINGER GUARD)						1	
5		12973277		GAUGE SET 3/8" (FINGER GUARD)						1	
6		12972907		THROAT PLATE MH 7/32						1	
7		12972808		THROAT PLATE MH (1/4")						1	
8		12973004		THROAT PLATE MH 9/32						1	
9		12973103		THROAT PLATE MH 5/16						1	
10		12973202		THROT PLATE 3/8						1	
11		12956355		NEEDLE CLAMP 7/32" ASM.						1	
12		12956256		NEEDLE CLAMP (1/4") ASM.						1	
13		12956454		NEEDLE CLAMP 9/32" ASM.						1	
14		12956553		NEEDLE CLAMP 5/16" ASM.						1	
15		12956652		NEEDLE CLAMP 3/8" ASM.						1	
16		12960183		PRESSER FOOT ASM., 7/32" MH						1	
17		12960084		PRESSER 1/4" MH ASM.,EXPORT						1	
18		12960282		PRESSER FOOT MH ASM., 9/32						1	
19		12960381		PRESSER FOOT ASM. 5/16, MH						1	
20		12960480		PRESSER FOOT ASM. 3/8, MH						1	
21		12975058		FEED DOG MH ASM. 7/32						1	
22		12974952		FEED DOG MH(1/4")ASM.						1	
23		12975157		FEED DOG MH 9/32" ASM.						1	
24		12975256		FEED DOG MH ASM. 5/16						1	
25		12975355		FEED DOG MH 3/8" ASM.						1	
26		12968558		LOOPER L (1) ASM.						1	
27		12968657		LOOPER L (2) ASM.						1	
28		12968855		LOOPER R (1) ASM.						1	
29		12968954		LOOPER R (2) ASM.						1	
30		12969150		LOOPER C (1) ASM.						1	

TABLE OF EXCHANGING GAUGE PARTS (4)

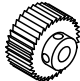

Description 品名			Folder asm. フォルダ [™] (組)					
Needle gauge size 針幅			M297		M298		M299	
Mark			MH		H		XH	
Code ゲージ記号			Ref.No	Part No.	Ref.No	Part No.	Ref.No	Part No.
			inch	mm				
E	7/32	5.6	2	MAM2970DDBA	7	MAM2980AABA	12	MAM2990AABA
F	1/4	6.4	3	MAM2970EEBA	8	MAM2980BBBA	13	MAM2990BBBA
G	9/32	7.2	4	MAM2970FFBA	9	MAM2980CCBA	14	MAM2990CCBA
H	5/16	8.0	5	MAM2970GGBA	10	MAM2980DDBA	15	MAM2990DDBA
K	3/8	9.5	6	MAM2970HHBA	11	MAM2980EEBA	1	MAM2990EEBA

The folder is not included in gauge set.
フォルダは、ゲージセットには含まれません。

Folder mark
フォルダ記号

- M297 — Medium-weight (MS-1261M/V045 Standard equipment)
- M298 — Heavy-weight
- M299 — Extra heavy-weight (MS-1261/V045 Standard equipment)

- 中厚物用 (MS-1261M/V045 標準装備)
- 厚物用
- 極厚物用 (MS-1261/V045 標準装備)

Description 品名			Roller asm. 先引きローラ (組)			
Needle gauge size 針幅			Steel roller スチールローラ		Urethane roller ウレタンローラ	
Code ゲージ記号	 		Ref.No	Part No.	Ref.No	Part No.
			inch	mm		
E	7/32	5.6	16	MAV045450A0	17	MAV045500B0
F	1/4	6.4		↑		↑
G	9/32	7.2		↑		↑
H	5/16	8.0		↑		↑
K	3/8	9.5		↑		↑

The cloth roller is not included in gauge set.
先引きローラは、ゲージセットには含まれません。

The kind of roller
先引きローラ種類

- Steel roller — Heavy & extra heavy-weight
スチールローラ 厚物・極厚物用
- Urethan roller — Medium-weight
ウレタンローラ 中厚物用

TABLE OF EXCHANGING GAUGE PARTS (4)

No.	Supply Code	Parts No.	Replacement	Parts name	Remarks	Choice	Step	Level	Cons	Qty	Rep. QTY
1		MAM2990EEBA		FOLDER 3/8 XH ASM.						1	
2		MAM2970DDBA		FOLDER 7/32 MH						1	
3		MAM2970EEBA		FOLDER 1/4MH						1	
4		MAM2970FFBA		FOLDER 9/32 MH						1	
5		MAM2970GGBA		HOLDER 5/16 MH						1	
6		MAM2970HHBA		FOLDER 3/8 MH						1	
7		MAM2980AABA		FOLDER 7/32 H ASM.						1	
8		MAM2980BBBA		FOLDER 1/4 H ASM.						1	
9		MAM2980CCBA		FOLDER 9/32 H ASM.						1	
10		MAM2980DDBA		HOLDER 5/16 H ASM.						1	
11		MAM2980EEBA		FOLDER 3/8 H ASM.						1	
12		MAM2990AABA		FOLDER 7/32 XH ASM.						1	
13		MAM2990BBBA		HOLDER 1/4XH ASM.						1	
14		MAM2990CCBA		FOLDER 9/32 XH ASM.						1	
15		MAM2990DDBA		FOLDER 5/16 XH ASM.						1	
16		MAV045450A0		STEEL ROLLER						1	
17	R	MAV045500B0	MAV045500A0	URETHANE ROLLER ASM.						1	1.00

LIST FOR INFORMATION OF CHANGE

As to the place changed, refer to the corresponding Rev.No.
 When previous parts(Obsoleted part)and new parts(Added parts)are
 not interchangeable with each other:
 In this case,even obsoleted parts(D.)can be ordered with the
 obsoleted part number,so select the parts with changed dates and
 place your orders.

変更箇所は、該当Rev.No.版をご参照ください。
 部品の互換性がない変更の場合は、削除された品番でも、ご注文できます。

29149804
 No.0970-10・・・Rev.No.

*A:Added parts追加部品/D:Obsoleted parts削除部品/E:Erratum訂正

* No.	Rev. No.	Page 頁	Ref. No.	Parts No. 品番	* No.	Rev. No.	Page 頁	Ref. No.	Parts No. 品番
					A	10	2	42	401-18508
					A	10	4	15	401-17113
					A	10	4	25	401-17111
					A	10	4	28	B2402-019-000
					A	10	4	29	129-67303
					A	10	4	30	SS-2060510-SP
					A	10	4	31	SS-5060410-SP
	D 09	6	21	129-78003					
	D 09	6	26	129-78102					
	D 09	19	15	MAV-04505000	A	10	19	15	401-38862
	D 09	19	16	MAV-04506000	A	10	19	16	401-38863
	D 09	21	1	MAV-045250A0	A	10	21	1	401-38864
	D 09	21	2	MAV-04525000A	A	10	21	2	401-38860
	D 09	22	21	MAV-04542000	A	10	22	21	401-38861

HOW TO MAKE USE OF THIS PARTS LIST

1.Explanation of codes

1)"*"mark.....means this part is changed from the previous parts book.

As to the details of the change, refer to the "List for information of change".

2)"#01".....refer to "Note" explanation at bottom of page.

2.Codes on the "Qty" column

- Each numeral indicates the number of parts required.
- "0.1" and "2.5" indicate the length (in meters) of the respective parts.

3.Parentheses mean that the corresponding part is a subpart that constructs an assembly part.

4.Dotted lines on the Figures indicate assembly parts.

1."注記"欄の記号説明

1) "*"印.....前回のパーツブックに比較して今回変更された部品を意味します。

変更内容は、"変更情報リスト"を参照してください。

2) "#01".....ページ下の"注記"の説明を参照してください。

2.数量欄の数字は、個数を表し、0.1、2.5等の数値は、長さ（単位メートル）を表します。

3.数量欄の（ ）は、組部品を構成している子部品であることを意味します。

4.イラストページの-----枠は、組構成であることを意味します。

NUMERICAL INDEX OF PARTS

PART NO	PAGE	REF NO.	PART NO	PAGE	REF NO.	PART NO	PAGE	REF NO.
10704203	2	28	12944906	28	17	12960084	14	6
11956703	6	8	12950507	2	32	12960084	18	12
11957305	6	5	12950606	2	12	12960084	46	17
12921003	2	3	12950705	2	1	12960167	42	16
12921409	2	20·26	12950804	2	4	12960183	46	16
12921607	2	25·61	12951000	2	16	12960266	42	18
12921904	8	62	12951505	8	61	12960282	46	18
12922001	8	63	12951950	4	75	12960365	42	19
12922704	2	20·26	12952008	4	76	12960381	46	19
12922803	8	51	12952255	2	30	12960464	42	20
12924502	10	19	12952552	2	29	12960480	46	20
12924718	10	23	12953204	12	60	12960803	18	13
12924718	16	48	12953204	42	7	12962007	18	15
12924767	10	21	12953261	42	2	12962106	18	5
12924767	16	46	12953303	42	6	12962106	44	22
12924809	14	34	12953360	42	1	12962205	18	18
12924916	10	27	12953402	42	8	12962304	18	21
12925004	10	29	12953469	42	3	12962403	18	17
12931507	22	61	12953501	42	9	12962601	22	67
12931606	22	60	12953568	42	4	12962809	22	40
12931705	22	64	12953600	42	10	12963005	22	59
12931903	22	52	12953667	42	5	12963062	22	53
12932000	4	54	12955209	10	31	12963302	24	17
12932109	4	55	12955308	10	33	12963351	20	4
12932158	4	53	12955803	2	33	12963351	24	16
12933719	14	37	12956256	12	62	12963351	42	22
12935516	6	34	12956256	42	12	12963450	42	21
12935607	6	41	12956256	46	12	12963559	42	23
12935805	8	47	12956355	42	11	12963658	42	24
12935904	8	68	12956355	46	11	12963757	42	25
12936217	6	44	12956454	42	13	12964102	24	34
12936506	8	49	12956454	46	13	12964102	26	34
12936803	8	72	12956553	42	14	12964102	44	27
12936902	6	33	12956553	46	14	12964201	24	19
12938304	6	6	12956652	42	15	12964300	24	36
12939500	8	54	12956652	46	15	12964300	26	36
12939609	8	55	12958500	14	18	12964409	24	37
12939708	8	56	12958559	14	17	12964409	26	37
12939807	8	57	12958609	14	16	12964508	24	39·40
12939906	8	58	12959300	14	30	12964508	26	39·40
12940102	4	64	12959409	14	31	12964607	24	41
12941100	24	13	12960001	18	14	12964607	26	41
12942009	24	3	12960068	14	35	12964706	24	42·43
12943106	10	15	12960068	18	1	12964706	26	42·43
12943700	4	73	12960068	42	17	12964805	24	38

NUMERICAL INDEX OF PARTS

PART NO	PAGE	REF NO.	PART NO	PAGE	REF NO.	PART NO	PAGE	REF NO.
12964805	26	38	12972105	42	37	12975058	44	11
12965513	16	50	12972154	42	32	12975058	46	21
12965703	2	40	12972204	42	36	12975157	44	13
12966008	6	40	12972253	42	31	12975157	46	23
12966107	6	39	12972303	42	38	12975256	44	14
12966206	6	38	12972352	42	33	12975256	46	24
12966305	6	35	12972402	42	39	12975355	44	15
12966503	16	44	12972451	42	34	12975355	46	25
12966552	16	43	12972501	42	40	12975504	26	35
12966602	6	9	12972550	42	35	12975702	44	26
12966701	6	13	12972808	12	58	12975801	44	17
12966800	2	15	12972808	44	7	12975900	44	18
12966909	2	43	12972808	46	7	13515606	40	36
12967006	2	44	12972857	44	2	22901805	4	85
12967105	4	45	12972873	46	2	22902506	2	2
12967204	6	32	12972907	44	6	22906408	14	12
12967303	6	29	12972907	46	6	22906457	14	11
12967402	6	26	12972956	44	1	22920607	4	62
12967501	2	17	12972972	46	1	22932453	28	19
12967600	6	18	12973004	44	8	22934202	28	22
12967758	8	53	12973004	46	8	22934251	28	21
12968004	20	10	12973053	44	3	22934301	28	23
12968103	14	1	12973079	46	3	22934400	28	24
12968202	14	3	12973103	44	9	22934509	28	25
12968509	24	2	12973103	46	9	22934608	28	26
12968558	20	1	12973152	44	4	26226407	40	29
12968558	24	1	12973178	46	4	40011122	36	14
12968558	42	26	12973202	44	10	40026874	10	42
12968558	46	26	12973202	46	10	40026875	10	36
12968657	42	27	12973251	44	5	40038331	8	67
12968657	46	27	12973277	46	5	40040608	20	25
12968806	24	7	12973509	44	19	40060166	4	81
12968855	20	2	12973608	44	20	40062288	38	27~29
12968855	24	6	12973707	44	21	40065076	38	27~29
12968855	42	28	12973806	44	23	40076305	34	28
12968855	46	28	12974150	42	42	40080579	24	39·40
12968954	42	29	12974259	42	41	40080579	26	39·40
12968954	46	29	12974358	42	43	40080580	24	42·43
12969101	24	12	12974457	42	44	40080580	26	42·43
12969150	20	3	12974556	42	45	40085671	6	3
12969150	24	11	12974903	26	33	40085675	6	1
12969150	42	30	12974952	22	48	40085676	6	12
12969150	46	30	12974952	26	32	40085784	30	8
12969309	24	8	12974952	44	12	40085785	30	11
12970406	4	80	12974952	46	22	40085788	30	15

NUMERICAL INDEX OF PARTS

PART NO	PAGE	REF NO.	PART NO	PAGE	REF NO.	PART NO	PAGE	REF NO.
40085789	30	14	B12070260A0	10	1	B2107019000	20	23
40085790	30	16	B1208019000	10	5	B2108026000	22	43
40085791	30	17	B12090190A0	10	2	B2115191000	20	7
40085792	30	13	B1219019000	2	21	B2116191000	20	17~19
40085793	30	12	B1222019000	10	18	B211619100A	20	17~19
40085794	30	4	B1236125BA0	10	3	B211619100B	20	17~19
40085795	30	3	B1401019000	12	54	B21230260A0	20	11
40085796	30	10	B1402026B0G	10	45	B2208019000	8	73
40096325	30	9	B1404026B0G	12	53	B2310019000	6	2
40096326	30	7	B1408038000	10	4	B2315019000	28	5
40096327	30	5	B14090190B0	12	50	B2317019000	28	7
40106574	30	6	B1411019000	10	13	B231919100A	28	4
40106575	30	2	B1412038000	10	12	B2321019000	28	9
40106577	30	18	B1418019000	12	51	B2322019000	28	1
40106578	30	19	B1502019000	14	9	B2324261000	14	25
40111348	30	1	B15040190A0	14	14	B2326019000	14	24
40117111	6	25	B1506019000	14	19	B2327019000	14	20
40117113	6	15	B1534816000	8	64	B2328019000	14	27
40118508	2	42	B1601026000	22	38	B2329019000	14	21
40138860	36	2	B1602019000	22	66	B2330019000	14	22
40138861	38	21	B1606191000	22	65	B2402019000	6	28
40138862	32	15	B1610019000	22	39	B2421019000	6	19
40138863	32	16	B1621261000A	22	63	B2502019000	20	8
40138864	36	1	B1622541000	4	56	B2503019000	20	28
A116100100B	14	23	B1623191000	22	58	B25050190A0	20	14
B110419100A	4	67	B1624191000	22	54	B3112704000	6	7
B110419100B	4	68	B1625191000	22	57	B3126012000	6	4
B110419100C	4	69	B1626191000	22	56	B3421012000	28	18
B11041910A0	4	66	B1635191000	22	34	B3502019000	10	38
B1124804000	2	24	B1802019000	16	39	B3503019000	10	39
B1127026000	14	7	B1803019000	16	40	B3504019000	10	37
B1130051000	2	38	B1805019000	4	48	B3510019000	10	10
B1130051000	44	16	B1806019000	4	59	B3541012000	10	11
B1134850000A	2	35	B18080190A0	16	41	B3701019000	28	3
B1135850000	2	36	B1901026000	12	48	B8101191000	28	13
B1140019000	4	79	B20012610A0	22	35	B81011910A0	28	10
B1156019000	4	25·61	B2002026000A	20	27	B8102191000	28	11
B1157019000	2	31	B20060190A0	22	32	B8511180000	28	14
B1161026000	2	10	B2056781000	40	16	CM300200001	4	83
B1161227000	10	34	B2101261000A	22	47	CM300200001	32	19
B11620260A0	2	8	B21020260A0A	20	20	CM301200002	4	82
B1202512000	10	9	B21032610A0	22	49	CM500300001	4	71
B1203512000	10	22	B2105019000	22	45·46	CQ252000000	10	44
B1203512000	16	47	B210501900A	22	45·46	CQ300000000	12	47
B1207026000	10	6	B2106026000	20	6	CS1201010SH	34	3

NUMERICAL INDEX OF PARTS

PART NO	PAGE	REF NO.	PART NO	PAGE	REF NO.	PART NO	PAGE	REF NO.
D2587L8WB00	40	7	MAV04536000	38	7	NS6110350SP	8	59
MAM2970DDBA	48	2	MAV045360A0	38	6	NS6110420SP	40	25
MAM2970EEBA	14	29	MAV04537000	38	14	NS6120310SP	14	26
MAM2970EEBA	48	3	MAV045380A0	38	18	NS6150310SP	20	13
MAM2970FFBA	48	4	MAV045380B0	38	17	NS6620310SP	40	21
MAM2970GGBA	48	5	MAV04541000	38	20	PS0250081K0	22	55
MAM2970HHBA	48	6	MAV04543000	38	23	PS0300102K0	32	12
MAM2980AABA	48	7	MAV04544000	38	24	PS0300242K0	32	11
MAM2980BBBA	48	8	MAV04545000	38	26·31	PS0500202KP	8	76
MAM2980CCBA	48	9	MAV0454500D	38	26·31	RC0650811KP	38	16
MAM2980DDBA	48	10	MAV045450A0	48	16	RC1200001KP	34	5
MAM2980EEBA	48	11	MAV04546000	38	5	RC1851217KP	36	3
MAM2990AABA	48	12	MAV04547000	38	11	RE0400000K0	4	58
MAM2990BBBA	14	28	MAV045470A0	38	10	RE1200000K0	16	51
MAM2990BBBA	48	13	MAV045500A0	38	27~29	RO040100210	4	57
MAM2990CCBA	48	14	MAV045500B0	48	17	RO061180100	22	41
MAM2990DDBA	48	15	MAV04555000	40	1	RO068190100	4	52
MAM2990EEBA	48	1	MAV04556000	40	2	RO069180100	10	40
MAV04501000	32	1	MAV04557000	40	3	RO095200100	22	30
MAV04502000	32	2	MAV04558000	40	5	RO098240100	10	35
MAV04503000	32	7	MAV04559000	40	10	SB106000200	34	27
MAV04504000	32	9	MAV04560000	40	13	SB107000100	38	12
MAV04507000	32	18	MAV04561000	40	18	SB108000600	34	16
MAV04515000	34	1	MAV04562000	40	23	SB112000500	34	4
MAV04516000	34	8	MAV04563000	40	35	SB135000300	34	10
MAV045160B0	34	7	MAV04564000	40	26	SB212000100	34	2
MAV04517000	34	9	MAV04565000	40	28	SB307000400	38	19
MAV04518000	34	15	MAV04566000	40	30	SB307000500	38	3
MAV045180A0	34	14	MAV04567000	40	31	SB310000300	36	7
MAV04519000	34	19	MAV04568000	40	33	SB310000700	36	8
MAV04520000	34	23	MAV04569000	40	34	SD0380551SL	2	37
MAV04521000	34	26	MAV04616000	40	19	SD0450211SP	28	6
MAV045210A0	34	25	MC380001200	10	20·26	SD0550451SP	40	8
MAV04522000	34	12	MC380001300	12	25·61	SD0600271SP	40	24
MAV04524000	36	4	MUY128N1900	10	20·26	SD0600361SP	40	12
MAV04526000A	36	6	MUY128N2100	10	25·61	SD0600402TP	40	20
MAV04527000	36	12	NM6030003SC	32	14	SD0600596SH	36	10
MAV04529000	36	15	NM6030003SC	40	38	SD0640321TP	40	14
MAV04530000	36	16	NM6040003SC	36	11	SD0640325SP	40	11
MAV04531000	36	17	NM6050001SE	30	23	SD0640751SP	40	15
MAV04532000	36	19	NM6060003SC	34	22	SD0790431SP	28	2
MAV04533000	36	9	NM6060003SC	38	30	SD0801606SH	34	21
MAV04534000	36	5	NM6080001SC	40	32	SK3412001SE	30	22
MAV04535000	38	2	NM6080003SC	34	17	SK3452500SC	28	20
MAV045350A0	38	1	NS6110310SP	6	11	SM4051001SE	30	21

NUMERICAL INDEX OF PARTS

PART NO	PAGE	REF NO.	PART NO	PAGE	REF NO.	PART NO	PAGE	REF NO.
SM4051405SE	30	20	SS5660440SP	10	41	SS7111110TP	20	51
SM5030355SE	32	8	SS5820540SP	4	78	SS7111110TP	22	51
SM5040655SN	32	17	SS6060210SP	8	74	SS7111120SP	4	60
SM6031202TP	32	13	SS6060410TP	18	19	SS7111410SP	8	48
SM6031402TP	40	37	SS6090540SP	4	46	SS7120910SP	10	14
SM6040802TP	38	22	SS6090670TP	14	13	SS7151210SP	2	72
SM6040802TP	40	6	SS6092120SP	10	43	SS7151210SP	4	72
SM6041002TP	40	9	SS6110480SP	4	70	SS7621040SP	22	37
SM6061002TP	40	27	SS6110610TP	2	5	SS7740740SP	4	51
SM6061202TP	14	32	SS6110610TP	8	52	SS7740740SP	10	17
SM6061602TP	34	24	SS6110610TP	14	4	SS8080310TP	12	63
SM6062002TP	32	3	SS6111610SP	14	36	SS8080610SP	12	64
SM6062002TP	38	33	SS6122030SP	2	18	SS8110310SP	16	45
SM8040302TP	36	20	SS6122030SP	20	16	SS8110410TP	22	62
SM8040402TP	38	32	SS6150810SP	18	20	SS8110422TP	22	42
SM8040602TP	36	18	SS6151220SP	10	8	SS8110510SP	22	44
SM8040602TP	38	25	SS7060510SP	6	17	SS8111160SP	6	10
SM8050502TP	38	15	SS7080510TP	20	22	SS8150310SP	12	46
SM8050602TP	36	13	SS7080520SP	24	14	SS8150310SP	14	10
SM8060602TP	34	11	SS7090510SP	6	20	SS8150310SP	22	29
SM8060602TP	40	4	SS7090510SP	26	45	SS8150410SP	22	31
SM8082502TP	34	18	SS7090520SP	6	27	SS8150710SP	10	24
SM9061203SE	28	27	SS7090530SP	6	70	SS8150710SP	16	49
SM9061850SC	32	5	SS7090530SP	8	70	SS8150710SP	20	24
SS1090510SP	10	30	SS7090530SP	10	16	SS8150822TP	14	5
SS2060510SP	6	30	SS7090710SP	2	47	SS8151150SP	20	9
SS2110920TP	12	59	SS7090710SP	4	47	SS8152030SP	10	32
SS3060410SP	2	27	SS7090710SP	8	71	SS8660410SP	10	7
SS3090610SP	2	39	SS7090710SP	14	8	SS8660522TP	10	28
SS4090815SP	2	23	SS7090850SP	6	43	SS8660612TP	20	50
SS4090815SP	8	75	SS7090910SP	2	34	SS8660612TP	22	50
SS4091010SP	2	9	SS7090910SP	12	52	SS9151210TP	28	12
SS4110815SP	2	13	SS7090910TP	12	49	SS9182010TE	28	16
SS4120915SP	2	6	SS7090910TP	24	15	SS9284043CP	4	74
SS4622340SP	6	24	SS7090920SP	20	21	TA1250406R0	2	7
SS5060310SP	18	16	SS7091110TP	26	47	TA1600406R0	4	84
SS5060310SP	44	24	SS7091410SP	14	2	WP0370316SD	2	19
SS5060410SP	6	31	SS7110710SP	4	65	WP0371016SD	6	69
SS5060410SP	18	6	SS7110710SP	8	60	WP0371016SD	8	69
SS5060410SP	44	25	SS7110710SP	28	8	WP0450000SD	24	44
SS5090420SP	6	45	SS7110830SP	16	38	WP0450000SD	26	44
SS5090610SP	4	50	SS7110830SP	20	26	WP0450801SD	2	41
SS5090710SP	2	11	SS7110840SP	8	66	WP0480856SP	40	22
SS5091020SP	4	86	SS7110910TP	14	33	WP0531001SC	30	24
SS5110810SP	4	77	SS7111110TP	14	15	WP0641600SC	32	6

NUMERICAL INDEX OF PARTS

PART NO	PAGE	REF NO.
WP0641600SC	34	13
WP0651056SH	40	17
WP1221016SP	34	6
WP1612616SE	30	25
WS0510002KN	30	26