



1 Overview	
1.1 Introduction	15
1.2 Warnings	15
1.3 Overview of your radiator	17
2 Installing your appliance	
2.1 Warnings	18
2.2 Positioning your appliance	20
2.3 Connecting the appliance	20
3 Operating the electronic control	
3.1 Description of control unit	22
3.2 Operating mode selection	22
3.3 Status indicator LED	24
3.4 Protection	24
4 Maintenance and troubleshooting tips	
4.1 Routine maintenance operations	25
4.2 Troubleshooting	25
5 Services and guarantee	26

1. Overview

1.1 Introduction

Dear customer

Thank you for choosing this radiator.

This product has been manufactured in accordance with our stringent quality requirements to give you total satisfaction. To get the most out of your radiator, we advise you to read these instructions carefully and keep them to hand.

Thank you for your purchase.

1.2 Warnings



CAUTION: To avoid overheating, do not cover the heating appliance.



Do not sit on the heating appliance.



Caution, hot surface.

CAUTION — Some parts of this product can become very hot and cause burns. Particular attention has to be given where children and vulnerable people are present.

Children of less than 3 years should be kept away unless continuously supervised.

Children aged from 3 years and less than 8 years shall only switch on/off the appliance provided that it has been placed or installed in its intended normal operating position and they have been given supervision or instruction concerning use of the appliance in a safe way and understand the hazards involved. Children aged from 3 years and less than 8 years shall not plug in, regulate and clean the appliance or perform user maintenance.

This appliance can be used by children aged from 8 years and above and persons with reduced physical, sensory or mental capabilities or lack of experience and knowledge if they have been given supervision or instruction concerning use of the appliance in a safe way and understand the hazards involved. Children shall not play with the appliance. Cleaning and user maintenance shall not be made by children without supervision.

This appliance should be plugged or connected, according to rules and standards in application, only by an authorized person.

It is protected from splashes of water, and can be installed within volumes 2 and 3 (see section 2.1) as long as the electrical controls are out of reach of anyone using the bath or shower. It must not be connected to ground.

The electricity supply must be protected by a residual current device with a maximum of 30mA, especially when installed in a room containing a bathtub or shower.

IMPORTANT If the power cable is damaged, for safety reasons it must be replaced by the manufacturer, the manufacturer's after-sales service department or a similarly qualified person.

IMPORTANT The heating appliance must not be placed underneath a power outlet.

IMPORTANT This appliance is not intended for use at altitudes exceeding 2000 m.



NOTE:

Before carrying out any maintenance operation on your appliance, ensure that it is switched off.

This heating appliance is filled with a precise quantity of specific oil.

Any repair work requiring the oil tank to be opened should only be carried out by the manufacturer or their after-sales service department, which should also be contacted in the event of an oil leak.

When disposing of the heating appliance, comply with the regulations in force on the disposal of oil.

1.3 Overview of your radiator

This electrical appliance with circulating fluid is delivered ready to use. It is plugged and filled with a high-performance thermal mineral oil before leaving the factory.

This fluid was specially designed for this use and requires no special maintenance.

As soon as the appliance is switched on, you will notice certain differences compared to a standard electric heating system:

- the electric heating element heats the fluid, which gradually and naturally starts circulating in your appliance;
- the properties of the fluid are such that it takes approximately ten minutes for the radiator to reach its optimum surface temperature, depending on the model and the room temperature when the appliance is switched on;
- this principle also ensures consistent and sustained heating even when the element is no longer powered.

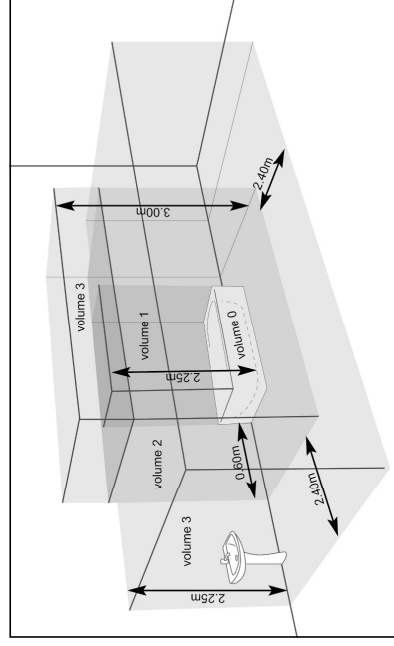
2. Installing your appliance

2.1 Warnings

The flexible cable supplied with your appliance is designed to be connected to the mains via a junction box that must be placed behind the appliance, with no need for a plug.

In a kitchen or bathroom, the junction box must be positioned at least 25 cm from the floor.

The appliance must be installed as described in this document and in accordance with the applicable European and French standards, including CEI 60364.7.701 and NF C15-100, as well as the rules of good professional practice. For other countries (apart from France), the appliance must be installed in accordance with standards in force and with rules of good professional practice in the country of use.



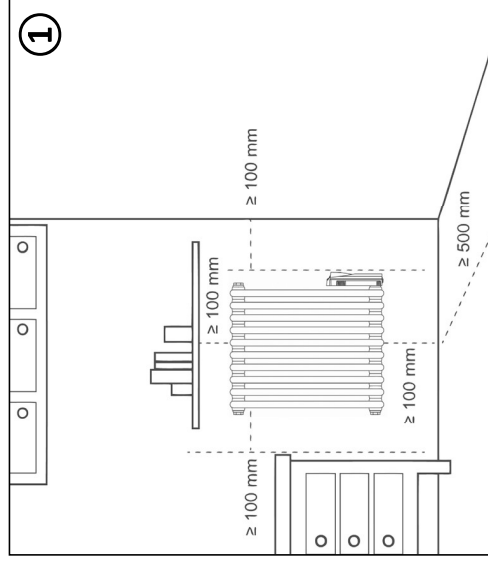
IMPORTANT The example shown only concerns a bathtub. For other bathroom fixtures, please consult your installer.

IMPORTANT The system must be fitted with an omnipolar circuit-breaker with a minimum contact opening of 3mm.

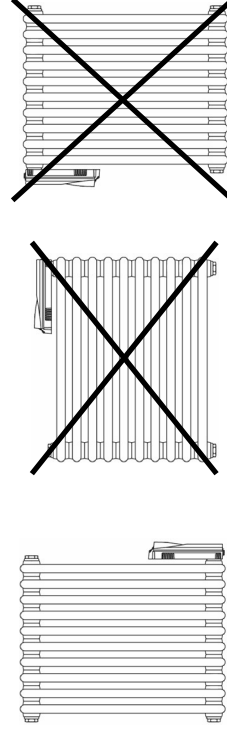
To ensure your system is safe (see figure ①):

- ensure that the bottom of the junction box is positioned at least 10 cm above the floor;
- ensure that an area of at least 50 cm in front of the appliance is clear of objects which might hinder air circulation (furniture, chairs, etc.);
- position a shelf at least 10 cm above the top of your radiator;
- use mounting screws suitable for your wall.

IMPORTANT This radiator should never be installed with the control unit positioned topside. (see figure ②)



②



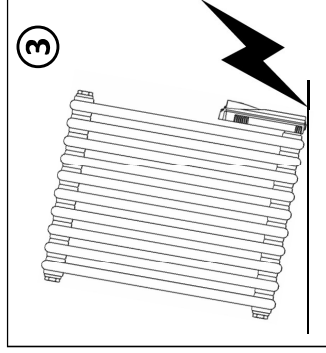
ATTENTION
Always turn off the electricity supply (circuit-breaker + pilot wire) before making any connections.

2.2 Positioning your appliance

To get the most out of your appliance and enjoy the highest standards of comfort, we recommend that you install the appliance near places with high heat loss (windows, doors, etc.) wherever possible.

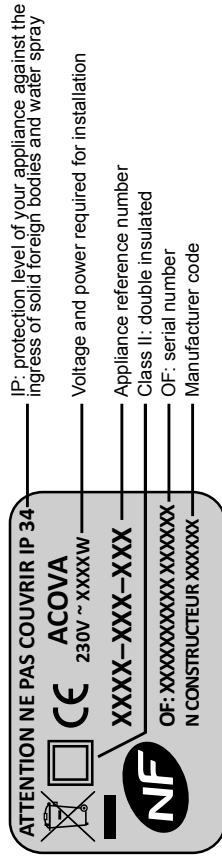
You will find a complete set of assembly instructions in your appliance's box.

IMPORTANT Use wedges during installation to prevent the control unit from touching the floor. (see figure ③)



2.3 Connecting the appliance

The technical specifications of your radiator are shown on its nameplate. Please note these down before installing it and before requesting any after-sales assistance.

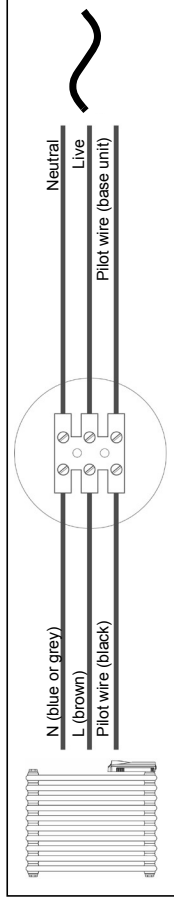


When connecting the appliance to the mains, you must observe:

- the voltage indicated on the nameplate;
- conventional colour coding:
 - blue or grey: neutral
 - brown: live
 - black: pilot wire

CONNECTING PRINCIPLE WITH PILOT WIRE:

Your appliance is equipped with a pilot wire for connection to a pilot wire programming base unit (not supplied with the appliance).

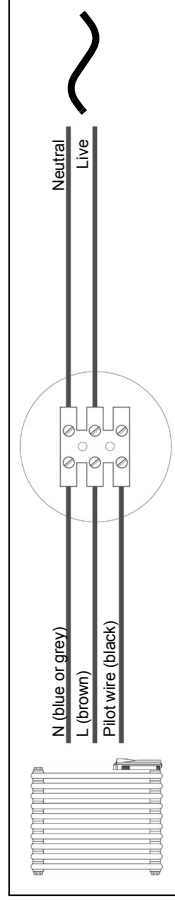


NOTE:

Your appliance is equipped with an integrated electronic control system so we cannot accept any liability should the appliance be used with pilot wire programming base units that function by disconnecting the supply voltage (refer to the instructions supplied with your control unit). If your radiator stops receiving instructions from the pilot wire programming base unit, when in AUTO mode it will operate in COMFORT mode until a new mode command is received from the programming base unit.

CONNECTING PRINCIPLE WITHOUT PILOT WIRE:

If the pilot wire is not connected, it must be insulated for safety reasons. Under no circumstances must it be connected to earth.



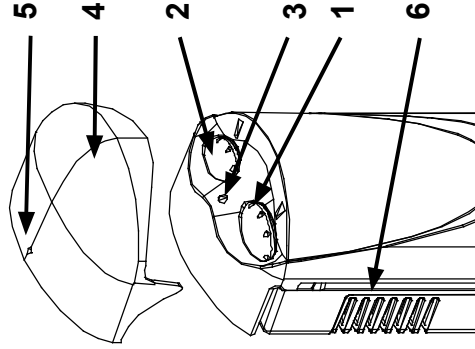
3. Operating the electronic control

3.1 Description of control unit

CONTROLS:

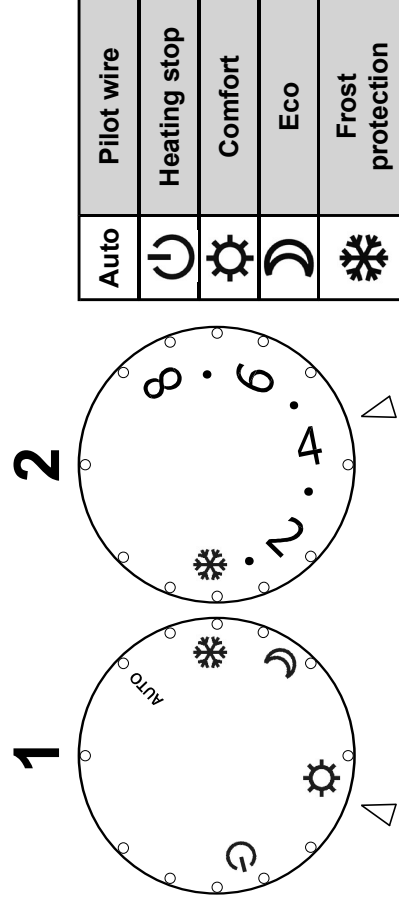
- 1 Mode selector
- 2 Temperature adjustment knob
- 3 Status indicator LED
- 4 Protective cover*
- 5 Drilling mark
- 6 Ventilation inlets

* depending on model



3.2 Operating mode selection

Turn the selector 1 to one of the 5 possible operating modes.



HEATING STOP position:

The radiator does not heat up. The status indicator lamp (3) will be unlit.

COMFORT position:

This is your radiator's normal operating mode.

You can select the room temperature using the adjustment knob (2).

Setting the temperature:

- 1) Turn the adjustment knob 2 to position 8 to start your radiator heating up. The status indicator lamp (3) will be lit red.
- 2) When the desired ambient temperature is reached, turn the knob (2) left until the status lamp turns green.
- 3) After a few hours in operation, you can fine-tune the temperature setting. Turn the knob right (clockwise) to increase, or left to decrease. In this way you can achieve perfect comfort.

ECO position:

This is the «Economy» position intended for nighttime use; the temperature setting selected for the COMFORT position is automatically reduced by around 3.5°C.

FROST PROTECTION position:

Your radiator is set to ensure a minimum temperature of 7°C in your room, to prevent any risk of frost.



NOTE:

You can use the "frost protection" command on your appliance's electronic thermostat for load-shedding (option available with some programming units). When using the programming function, it is vital to use appliances of equivalent technology to ensure optimum levels of comfort.

Pilot wire position: Auto

This position makes it possible to select the operating setting for your radiator remotely, using a programming device. A pilot wire programming unit sends an instruction via the black pilot wire to which your radiator is connected. It switches your radiator to one of its settings (NO HEAT, FROST PROTECTION, ECO, COMFORT) and can also switch your radiator to two additional settings (COMFORT -1°C and COMFORT -2°C). See the instructions with your pilot wire programmer for how to use your radiator with a pilot wire programmer.

4. Maintenance and troubleshooting tips

4.1 Routine maintenance operations



NOTE:

Before carrying out any maintenance operation on your appliance, ensure that it is switched off.

High-quality materials and surface treatment protect your radiator against corrosion and impacts.

To maximise the service life of your radiator, we recommend you take the following precautions:

- Never use abrasive or corrosive products on the outer surfaces of the appliance (except the electrical parts); use warm, soapy water.
- Use a soft, dry cloth without any solvents to clean the control box.

3.3 Status indicator LED

This LED (3) tells you the status of your radiator:

- Off: your device is in the heating stop position.
- On, green: the radiator is in operation, and the desired temperature has been reached.
- On, red: the radiator is in operation, and the desired temperature has not been reached.
- Flashing red: indicates a fault with your device.

3.4 Protection

Protective cover:

Your radiator is fitted with a removable transparent cover (4) which protects the controls.

Locking the cover (screw may be supplied, depending on the model):

Certain special applications require the ability to prevent changes to the settings. The cover can be locked using the screw supplied.

To do this, you must first drill a hole 3 millimetres in diameter in the transparent cover, using the mark (5) as a guide.

Then replace the cover onto your box, ensuring that it is correctly positioned, and screw in the screw so that it pierces the seal provided in the box; stop screwing when the head of the screw comes into contact with the cover.

Ventilation inlets:

For the device to work properly, you must ensure that the control box ventilation inlets (6) are never blocked (by dust build-up).

4.2 Troubleshooting

Problem	Diagnosis	Steps to take
The radiator does not work.	The radiator is not powered.	Make sure the radiator is correctly connected to the electricity supply. Contact your dealer if this is not the case.
	The radiator is in NO HEAT mode.	Turn on the radiator.
The status indicator LED flashes red.	The setpoint temperature is below the room temperature.	Increase the setpoint temperature (COMFORT mode).
		Contact your dealer.

5. Services and guarantee

After-sales service

If your appliance stops working or you require spare parts, contact your installer or dealer.

Prior to making contact and to ensure your problem is dealt with quickly and effectively, please make a note of:

- the details shown on the appliance's nameplate;
- the sales reference for your appliance shown on your dated purchase invoice.

Guarantee

(See general conditions of sale for your country)

The heating body of your electric radiator is guaranteed against manufacturing defects for five (5) years from the date of purchase, while the other components are guaranteed for two (2) years.

It complies with the EMC Directive: 2004/108/EC regarding electromagnetic compatibility of equipment, with Low Voltage directive: 2006/95/EC regarding electrical equipment designed for use within certain voltage limits, and with European standards EN 60.335.1 and EN 60.335.2.30, and subsequent amendments.

Dated proof of purchase must be presented to activate the guarantee. The guarantee does not cover radiator transport, removal and installation costs.

The guarantee shall not apply if the appliance is installed, used or maintained in a way that does not comply with standards in force in the relevant country, good professional practice, or the manufacturer's instructions.

Environmental regulations

RoHS: complies with Directive 2011/65/EU

WEEE: complies with Directive 2012/19/UE



Disposal of end-of-life electrical and electronic appliances. This symbol indicates that this product should not be disposed of with household waste. It must be taken to a suitable collection point to be recycled. By disposing of this product correctly, you will help prevent potential negative consequences for the environment and human health.



1 Uitleg

- 1.1 Inleiding 28
- 1.2 Waarschuwingen 28
- 1.3 Presentatie van uw radiator 30

2 Het toestel installeren

- 2.1 Waarschuwingen 31
- 2.2 Een plaats kiezen 33
- 2.3 Het toestel aansluiten 33

3 Gebruik

- 3.1 Functioneren van de elektronische regeling 35
- 3.2 Keuze van de wijze van functioneren 35
- 3.3 Controlelampje 37
- 3.4 Bescherming 37

4 Aanbevelingen voor het onderhoud en het verhelpen van storingen

- 4.1 Dagelijks onderhoud 38
- 4.2 Probleemoplossing 38

5 Service en garantie

39