

MODEL : MO-3700 SUBCLASSES 3703/3704/3705

List No : 0995-01

# PARTS LIST

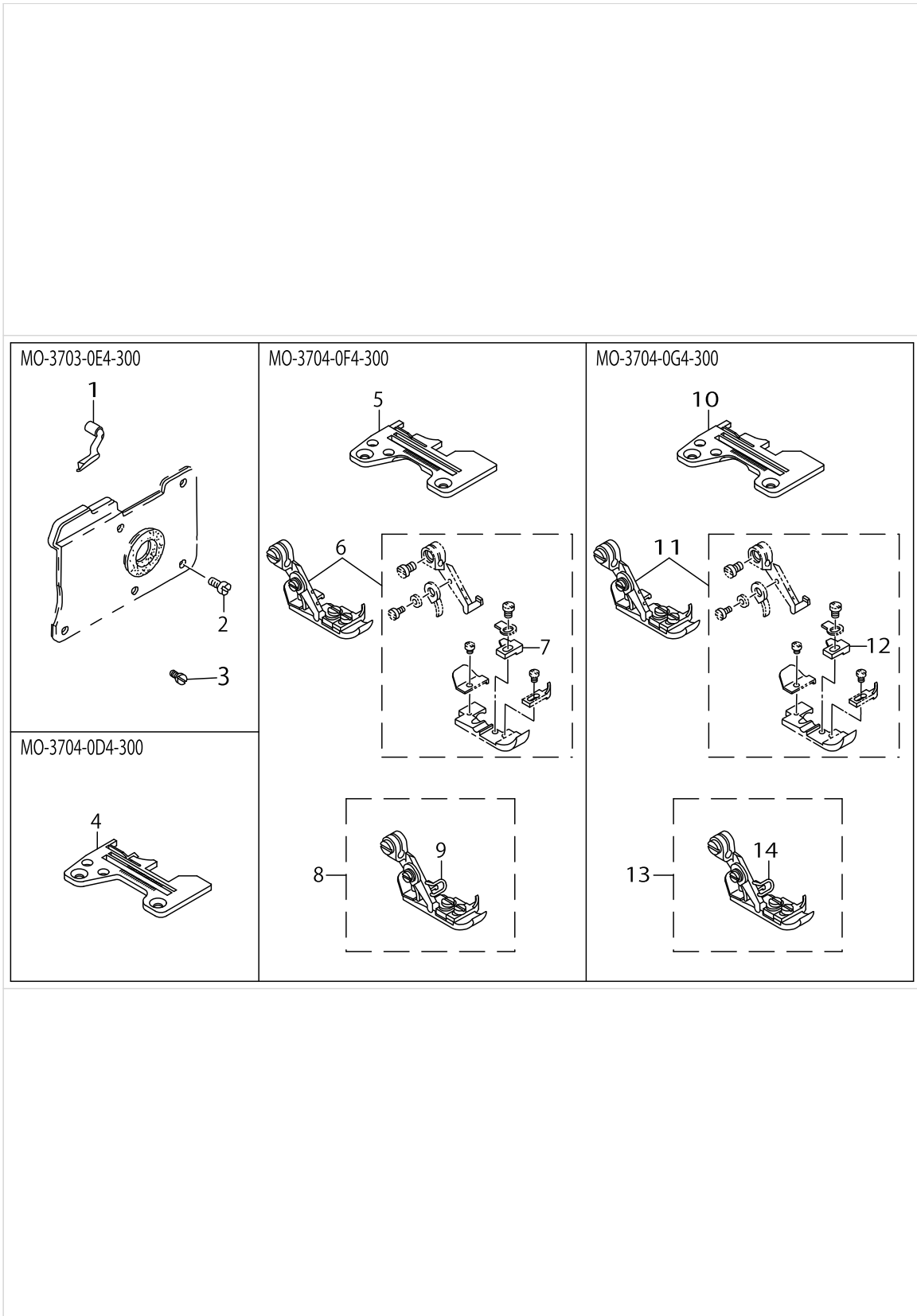
Published:05/12/2017

## CONTENTS

---

MO-3700 SUBCLASSES (1).....	1
MO-3700 SUBCLASSES (2).....	3
MO-3700 SUBCLASSES (3).....	5
MO-3700 SUBCLASSES (4).....	7
MO-3700 SUBCLASSES (5).....	9
MO-3700 SUBCLASSES (6).....	11
MO-3700 SUBCLASSES (7).....	13
MO-3700 SUBCLASSES (8).....	15
MO-3700 SUBCLASSES (9).....	17
MO-3700 SUBCLASSES (10).....	19
MO-3700 SUBCLASSES (11).....	21
HOW TO MAKE USE OF THIS PARTS LIST .....	23

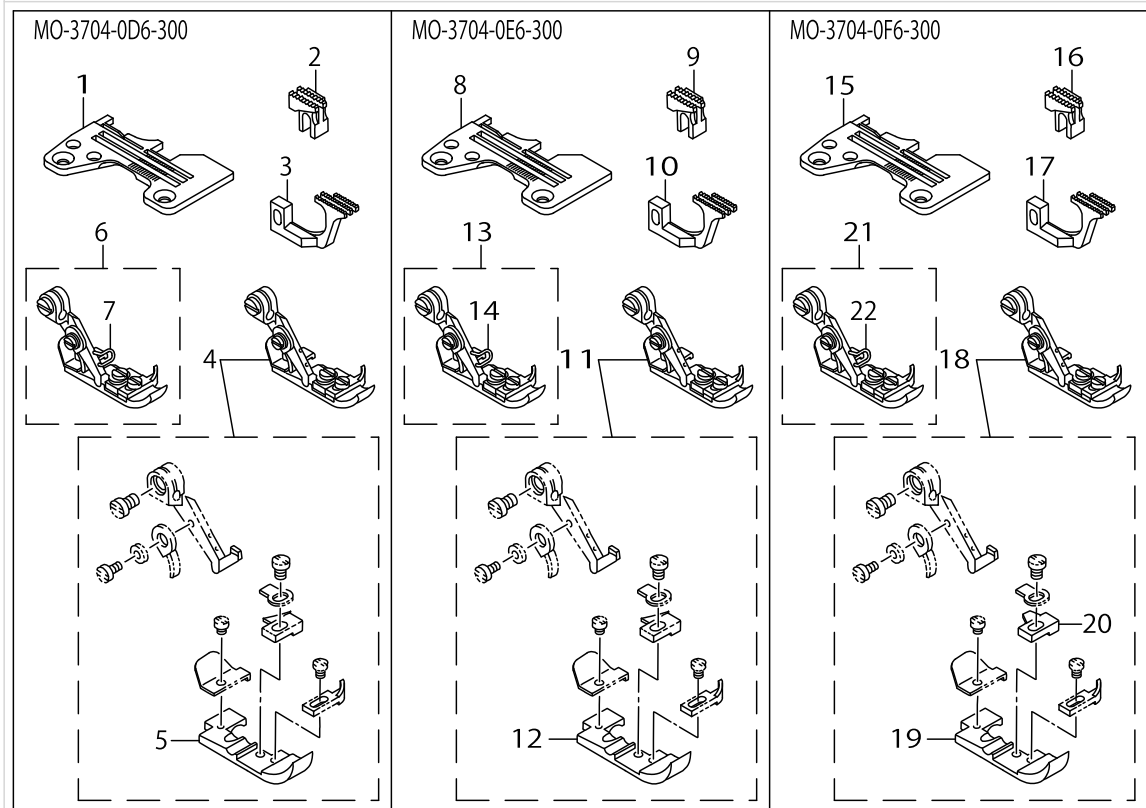
MO-3700 SUBCLASSES (1)



MO-3700 SUBCLASSES (1)

No.	Supply Code	Parts No.	Replacement	Parts name	Remarks	Choice	Step	Level	Cons	Qty	Rep. QTY
1		11888609		UPPER SPREADER						1	
2	R	SS6090630SP	SS6090630TP	SCREW 9/64-40 L=6						1	1.00
3		SS7110710SL		SCREW 11/64-40 L=7.0						1	
4	R	R4200J0DD00	R4200J6DD00	THROAT PLATE						1	1.00
5	R	R4200J0FD00	R4200J6FD00	THROAT PLATE						1	1.00
6	R	11876257	11876265	PRESSER FOOT ASM.						1	1.00
7		B1509804C0A		STITCH TONGUE				*		1	
8		11876265		PRESSER FOOT ASM.	FOR EXPORT					1	
9		11820701		FINGER GUARD				*		1	
10		R4200J0GD00		THROAT PLATE						1	
11	R	11876257	11876265	PRESSER FOOT ASM.						1	1.00
12		B1509804C0A		STITCH TONGUE				*		1	
13		11876265		PRESSER FOOT ASM.	FOR EXPORT					1	
14		11820701		FINGER GUARD				*		1	

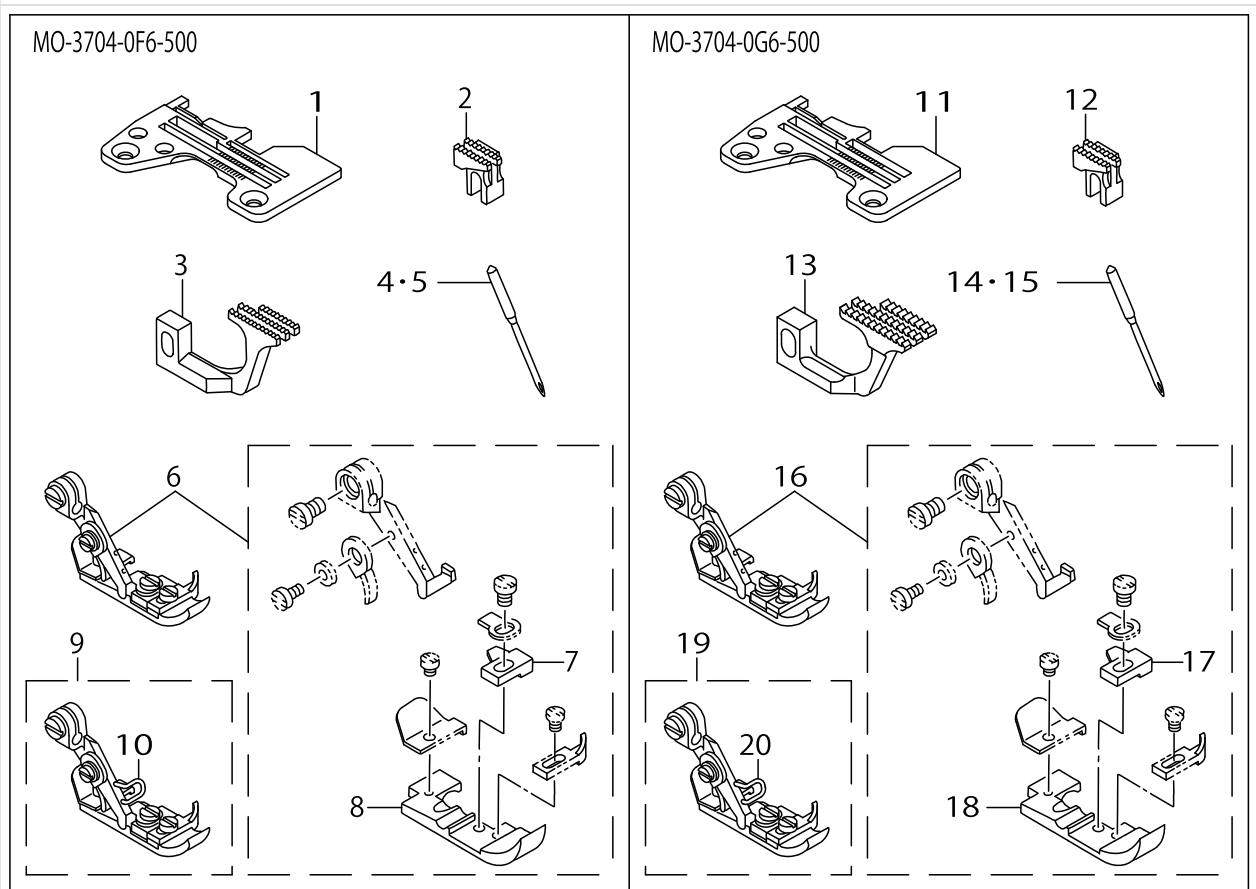
MO-3700 SUBCLASSES (2)



MO-3700 SUBCLASSES (2)

No.	Supply Code	Parts No.	Replacement	Parts name	Remarks	Choice	Step	Level	Cons	Qty	Rep. QTY
1	R	R4300J0DE00	R4300J6DE00	THROAT PLATE						1	1.00
2		11882206		MAIN FEED DOG						1	
3		11885100		DIFFERENTIAL FEED DOG						1	
4	R	11876356	11876364	PRESSER FOOT ASM.						1	1.00
5		11873007		PRESSER FOOT				*		1	
6		11876364		PRESSER FOOT ASM.	FOR EXPORT					1	
7		11820701		FINGER GUARD				*		1	
8	R	R4300J0EE00	R4300J6EE00	THROAT PLATE						1	1.00
9		11882206		MAIN FEED DOG						1	
10		11885100		DIFFERENTIAL FEED DOG						1	
11	R	11876356	11876364	PRESSER FOOT ASM.						1	1.00
12		11873007		PRESSER FOOT				*		1	
13		11876364		PRESSER FOOT ASM.	FOR EXPORT					1	
14		11820701		FINGER GUARD				*		1	
15		R4300J0FE00		THROAT PLATE						1	
16		11882206		MAIN FEED DOG						1	
17		11885100		DIFFERENTIAL FEED DOG						1	
18		11876455		PRESSER FOOT ASM.						1	
19		11873007		PRESSER FOOT				*		1	
20		B1509804C0A		STITCH TONGUE				*		1	
21		11876463		PRESSER FOOT ASM.	FOR EXPORT					1	
22		11820701		FINGER GUARD				*		1	

MO-3700 SUBCLASSES (3)

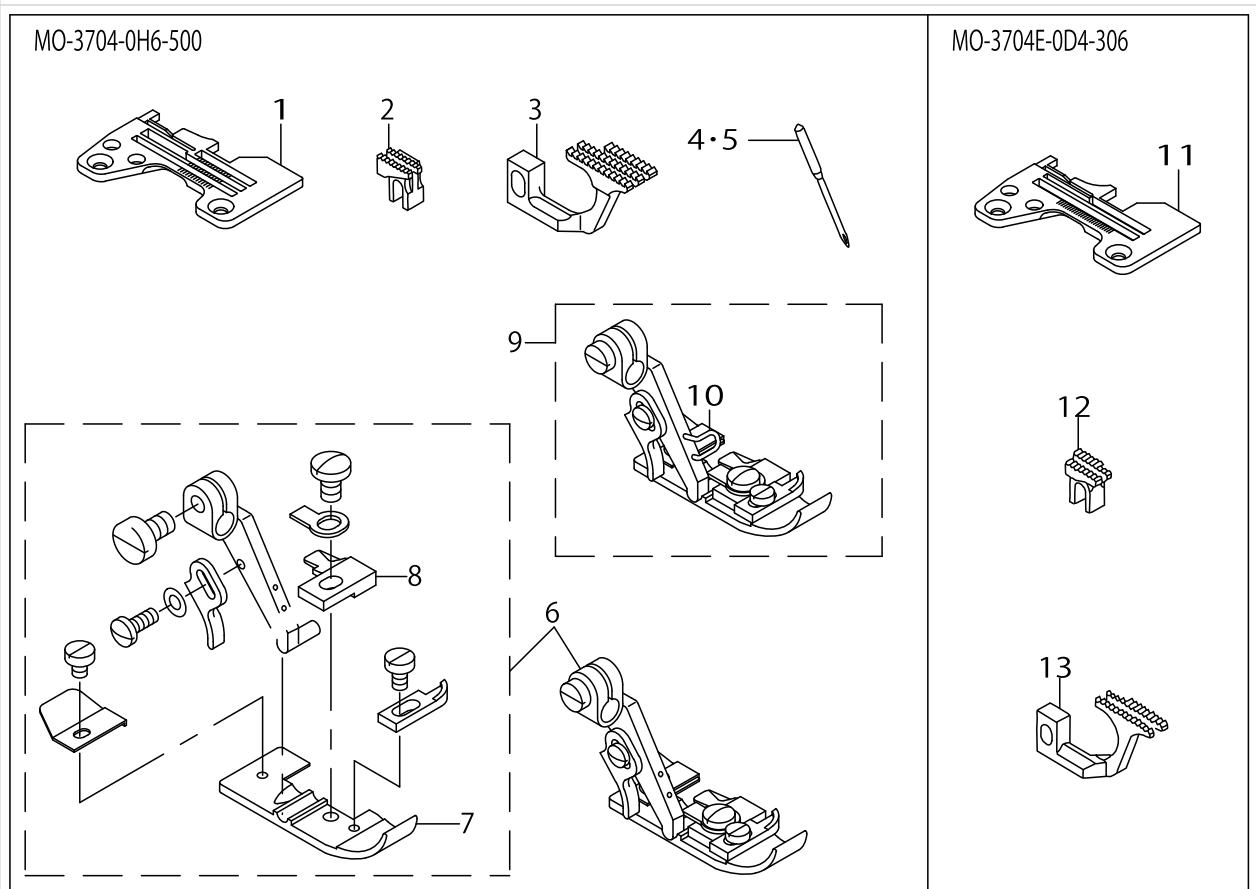


MO-3700 SUBCLASSES (3)

No.	Supply Code	Parts No.	Replacement	Parts name	Remarks	Choice	Step	Level	Cons	Qty	Rep. QTY
1	R	R4300J0FE0B	R4300J6FE0B	THROAT PLATE						1	1.00
2		11883303		MAIN FEED DOG						1	
3		11885605		DIFFERENTIAL FEED DOG						1	
4		MDC270B1400		NEEDLE DCX27 #14						1	
5	D	MC033600900		NEEDLE B-27 90	FOR JE					1	
6		11876455		PRESSER FOOT ASM.						1	
7		B1509804C0A		STITCH TONGUE				*		1	
8		11873007		PRESSER FOOT				*		1	
9		11876463		PRESSER FOOT ASM.	FOR EXPORT					1	
10		11820701		FINGER GUARD				*		1	
11		R4300J0GE00		THROAT PLATE						1	
12		11883303		MAIN FEED DOG						1	
13	D	12171708		DIFFERENTIAL FEED DOG						1	
14		MDC270B1400		NEEDLE DCX27 #14						1	
15	D	MC033600900		NEEDLE B-27 90	FOR JE					1	
16		11876455		PRESSER FOOT ASM.						1	
17		B1509804C0A		STITCH TONGUE				*		1	
18		11873007		PRESSER FOOT				*		1	
19		11876463		PRESSER FOOT ASM.	FOR EXPORT					1	
20		11820701		FINGER GUARD				*		1	



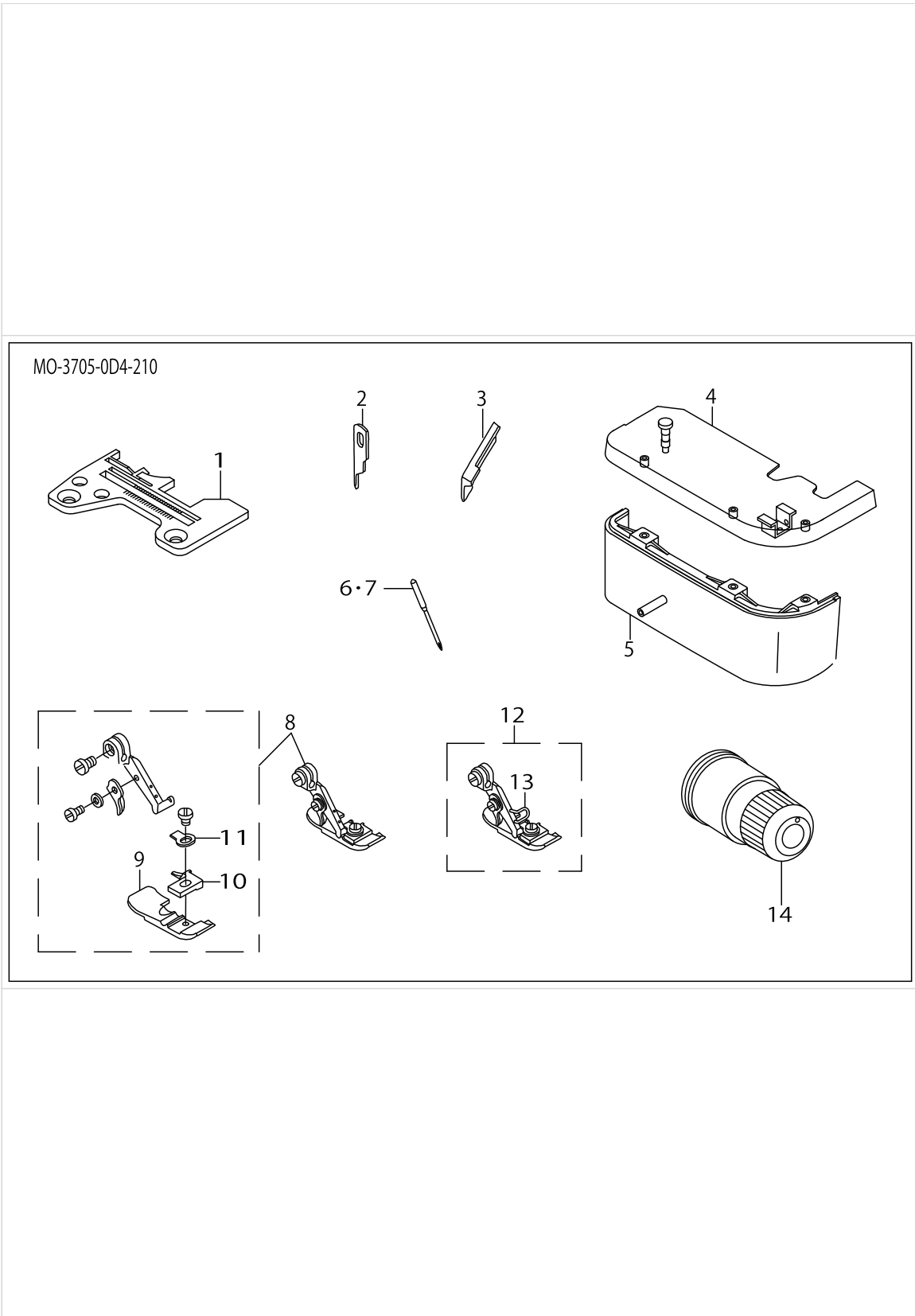
MO-3700 SUBCLASSES (4)



MO-3700 SUBCLASSES (4)

No.	Supply Code	Parts No.	Replacement	Parts name	Remarks	Choice	Step	Level	Cons	Qty	Rep. QTY
1		R4300J0HE00		THROAT PLATE						1	
2		11883303		MAIN FEED DOG						1	
3	D	12171708		DIFFERENTIAL FEED DOG						1	
4		MDC270B1400		NEEDLE DCX27 #14						1	
5	D	MC033600900		NEEDLE B-27 90	FOR JE					1	
6	R	12151254	12151262	PRESSER FOOT ASM.						1	1.00
7		12157806		PRESSER FOOT				*		1	
8	R	12159307	12151262	STITCH TONGUE				*		1	1.00
9	D	12151262		PRESSER FOOT ASM.	FOR EXPORT					1	
10		11820701		FINGER GUARD				*		1	
11		R4200J0DD0B		THROAT PLATE						1	
12		11597101		MAIN FEED DOG						1	
13		11886207		DIFFERENTIAL FEED DOG						1	

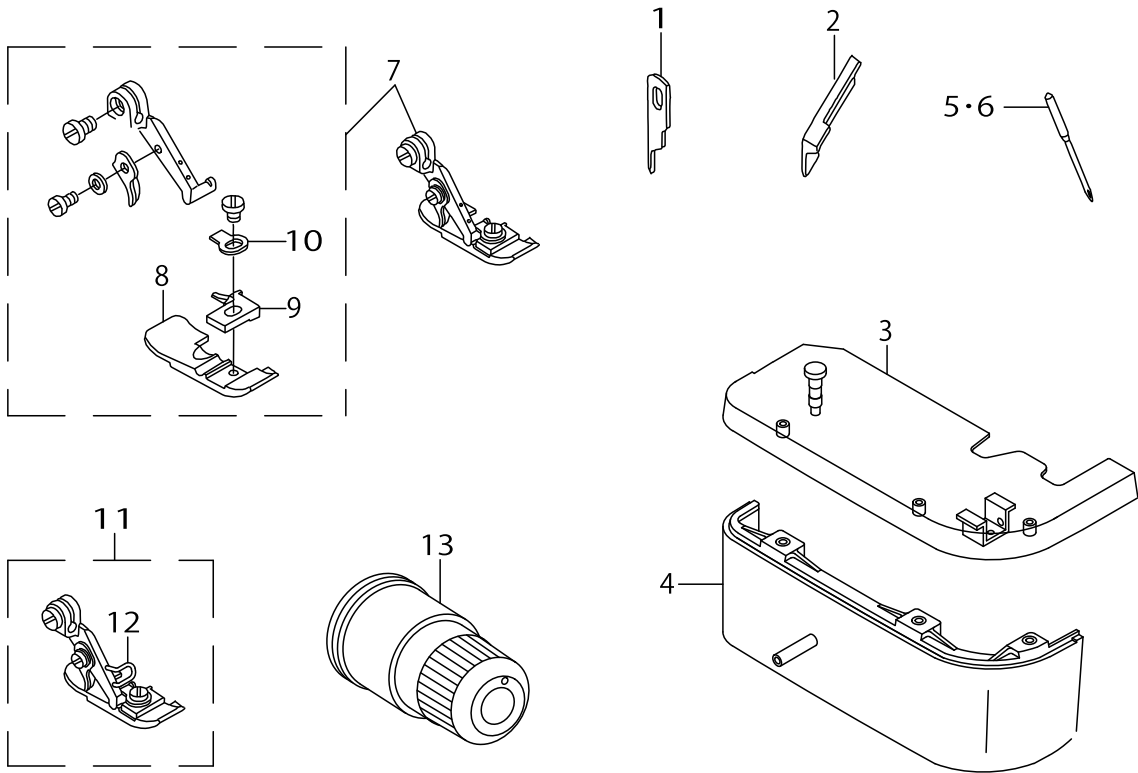
MO-3700 SUBCLASSES (5)



MO-3700 SUBCLASSES (5)

No.	Supply Code	Parts No.	Replacement	Parts name	Remarks	Choice	Step	Level	Cons	Qty	Rep. QTY
1	R	R4200J0DD00	R4200J6DD00	THROAT PLATE						1	1.00
2		11845708		KNIFE	FOR DOME- STIC USE					1	
3		11845906		UPPER KNIFE	FOR EXPORT					1	
4	D	12104659		CLOTH PLATE ASM.						1	
5		12104709		CLOTHPLATECOVER						1	
6		MDC270B0900		NEEDLE DCX27 #9						1	
7	D	MC033600650		NEEDLE B-27 65	FOR JE					1	
8	R	11992153	11992161	PRESSER FOOT ASM.						1	1.00
9	R	11992104	11992161	PRESSER FOOT				*		1	1.00
10		11874807		STITCH TONGUE				*		1	
11		B1508804000		SPRING				*		1	
12		11992161		PRESSER FOOT ASM.	FOR EXPORT					1	
13		11820701		FINGER GUARD				*		1	
14	D	12254850		THREAD TENSION SPRING COMPL.						1	

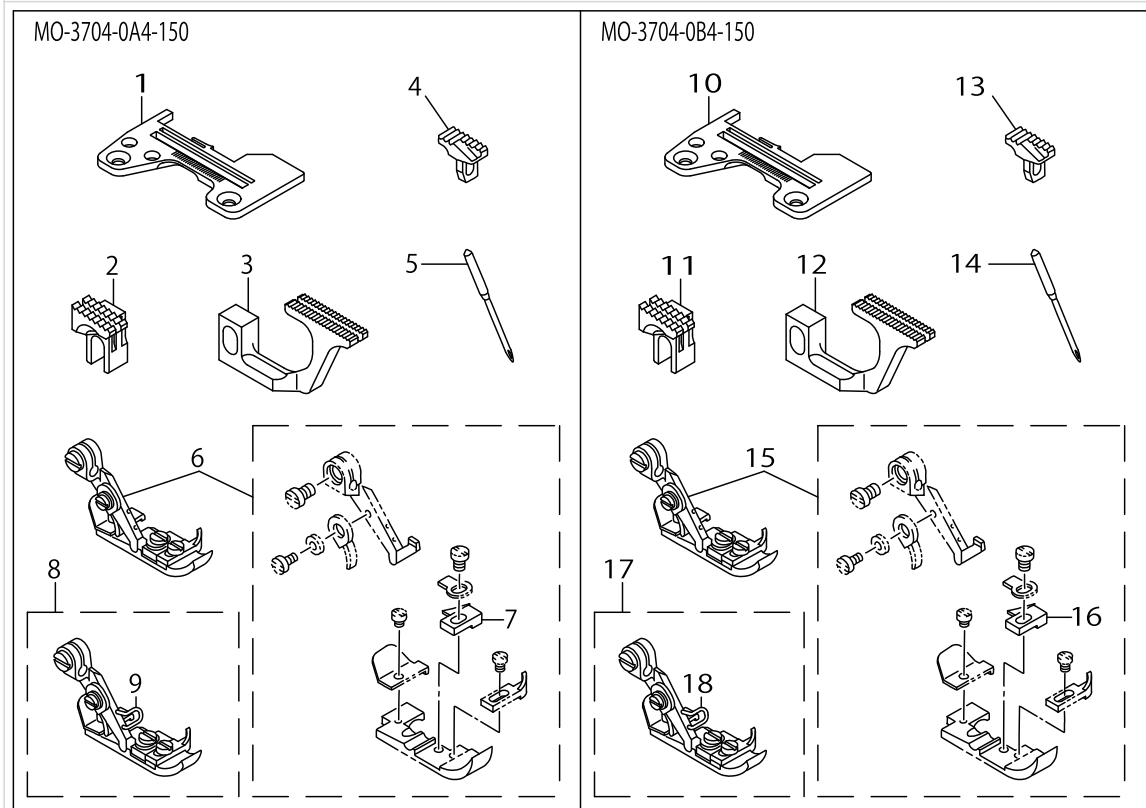
MO-3705-0E4-210



MO-3700 SUBCLASSES (6)

No.	Supply Code	Parts No.	Replacement	Parts name	Remarks	Choice	Step	Level	Cons	Qty	Rep. QTY
1		11845708		KNIFE	FOR DOME- STIC USE					1	
2		11845906		UPPER KNIFE	FOR EXPORT					1	
3	D	12104659		CLOTH PLATE ASM.						1	
4		12104709		CLOTHPLATECOVER						1	
5		MDC270B0900		NEEDLE DCX27 #9						1	
6	D	MC033600650		NEEDLE B-27 65	FOR JE					1	
7	R	11992153	11992161	PRESSER FOOT ASM.						1	1.00
8	R	11992104	11992161	PRESSER FOOT				*		1	1.00
9		11874807		STITCH TONGUE				*		1	
10		B1508804000		SPRING				*		1	
11		11992161		PRESSER FOOT ASM.	FOR EXPORT					1	
12		11820701		FINGER GUARD				*		1	
13	D	12254850		THREAD TENSION SPRING COMPL.						1	

MO-3700 SUBCLASSES (7)

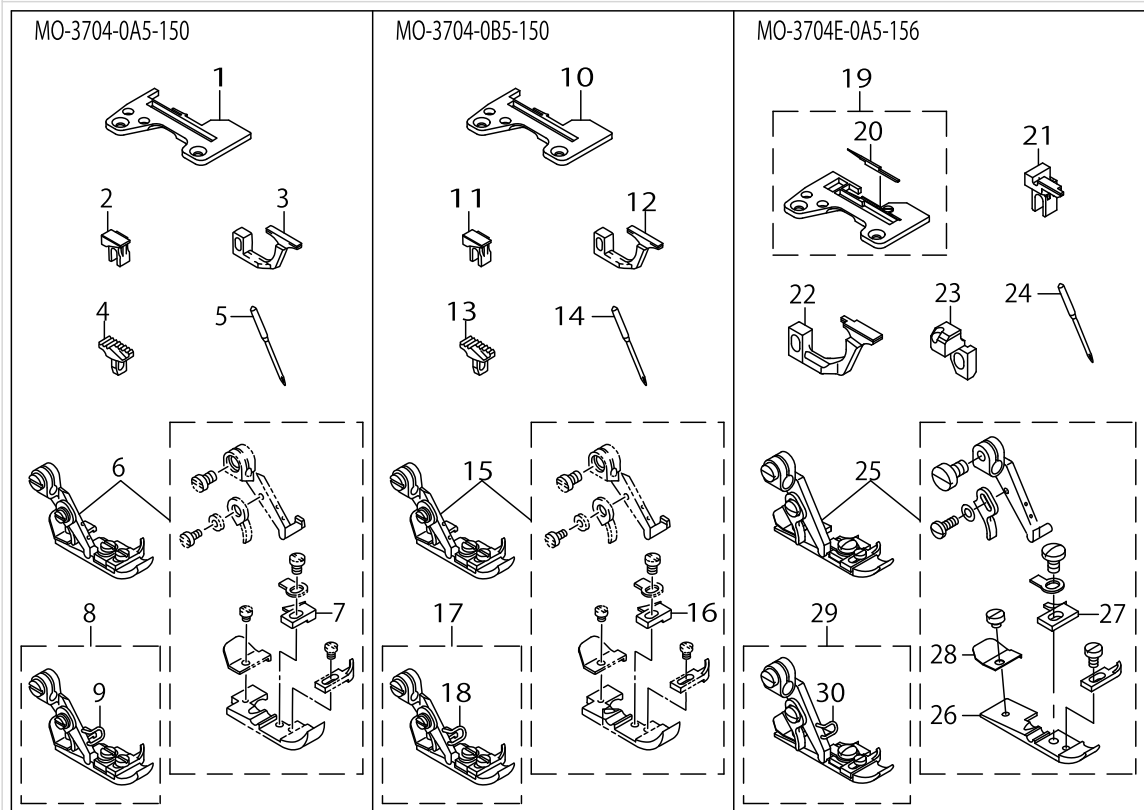


MO-3700 SUBCLASSES (7)

No.	Supply Code	Parts No.	Replacement	Parts name	Remarks	Choice	Step	Level	Cons	Qty	Rep. QTY
1	R	R4200J0AC00	R4200J6AC00	THROAT PLATE						1	1.00
2		11898905		MAIN FEED DOG						1	
3		11899002		DEFERENTIAL FEED DOG						1	
4		11887007		AUXILIARY FEED DOG						1	
5		MDC100B0800		NEEDLE DCX1 #8						1	
6	R	11876059	11876067	PRESSER FOOT ASM.						1	1.00
7		11792900		STITCH TONGUE				*		1	
8		11876067		PRESSER FOOT ASM.	FOR EXPORT					1	
9		11820701		FINGER GUARD				*		1	
10		R4200J0BC00		THROAT PLATE						1	
11		11898905		MAIN FEED DOG						1	
12		11899002		DEFERENTIAL FEED DOG						1	
13		11887007		AUXILIARY FEED DOG						1	
14		MDC100B0800		NEEDLE DCX1 #8						1	
15	R	11876059	11876067	PRESSER FOOT ASM.						1	1.00
16		11792900		STITCH TONGUE				*		1	
17		11876067		PRESSER FOOT ASM.	FOR EXPORT					1	
18		11820701		FINGER GUARD				*		1	



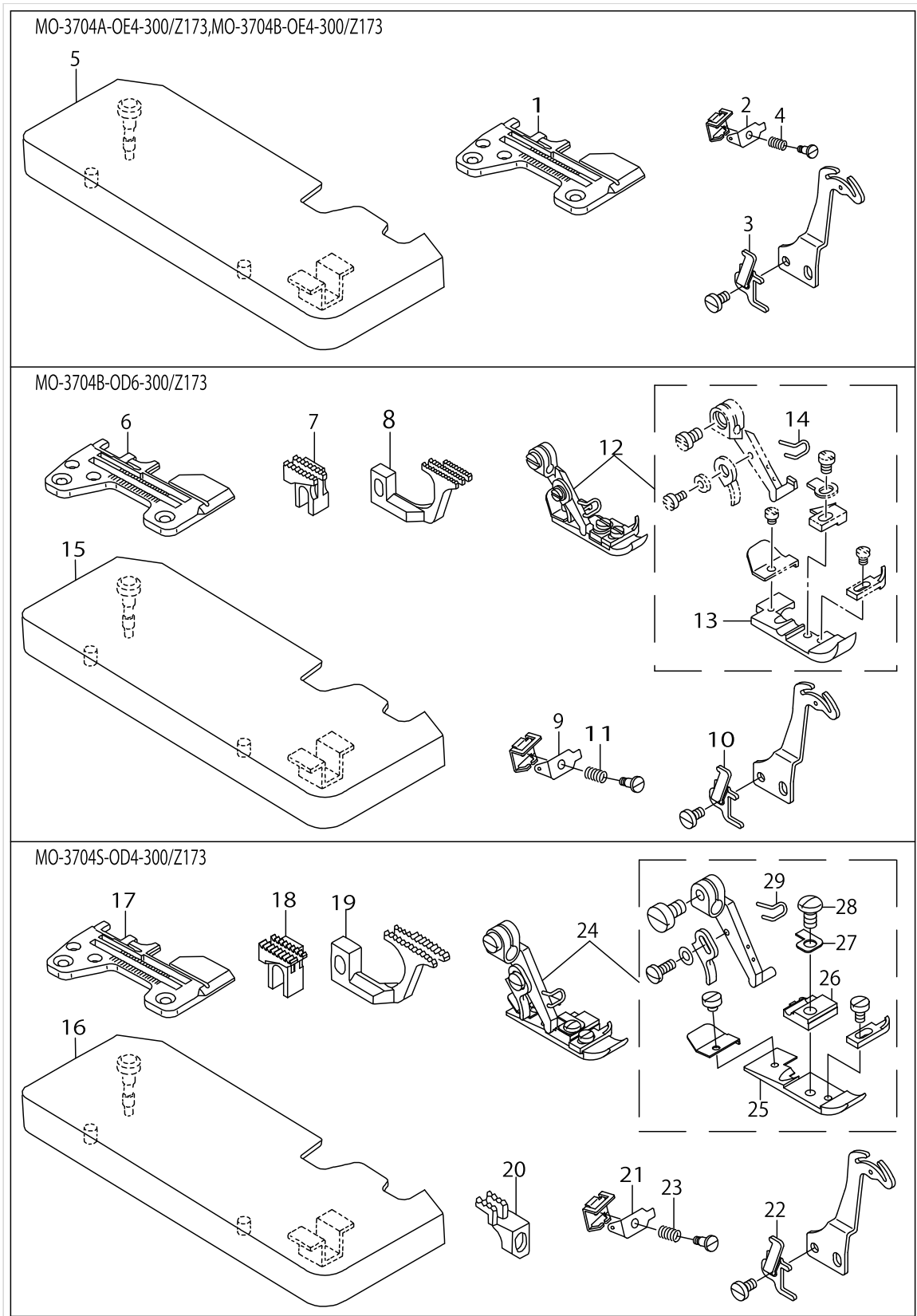
MO-3700 SUBCLASSES (8)



MO-3700 SUBCLASSES (8)

No.	Supply Code	Parts No.	Replacement	Parts name	Remarks	Choice	Step	Level	Cons	Qty	Rep. QTY
1	R	R4100J0AC00	R4100J6AC00	THROAT PLATE						1	1.00
2		11882008		MAIN FEED DOG						1	
3		11885001		DIFFERENTIAL FEED DOG						1	
4		11887007		AUXILIARY FEED DOG						1	
5		MDC100B0800		NEEDLE DCX1 #8						1	
6	R	11876059	11876067	PRESSER FOOT ASM.						1	1.00
7		11792900		STITCH TONGUE				*		1	
8		11876067		PRESSER FOOT ASM.	FOR EXPORT					1	
9		11820701		FINGER GUARD				*		1	
10		R4100J0BC00		THROAT PLATE						1	
11		11882008		MAIN FEED DOG						1	
12		11885001		DIFFERENTIAL FEED DOG						1	
13		11887007		AUXILIARY FEED DOG						1	
14		MDC100B0800		NEEDLE DCX1 #8						1	
15	R	11876059	11876067	PRESSER FOOT ASM.						1	1.00
16		11792900		STITCH TONGUE				*		1	
17		11876067		PRESSER FOOT ASM.	FOR EXPORT					1	
18		11820701		FINGER GUARD				*		1	
19		R4100J0AC0A		THROAT PLATE						1	
20		11982907		THROAT PLATE HOOK				*		1	
21		11982600		MAIN FEED DOG						1	
22		11982709		DIFFERENTIAL FEED DOG						1	
23		11982808		AUXILIARY FEED DOG						1	
24		MDC100B0800		NEEDLE DCX1 #8						1	
25	R	11982451	11982469	PRESSER FOOT ASM.						1	1.00
26	R	11982402	11982469	PRESSER FOOT				*		1	1.00
27	D	11982501		STITCH TONGUE				*		1	
28		11898608		STOPPER				*		1	
29	D	11982469		PRESSER FOOT ASM.	FOR EXPORT					1	
30		11820701		FINGER GUARD				*		1	

MO-3700 SUBCLASSES (9)

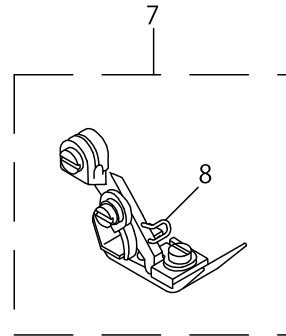
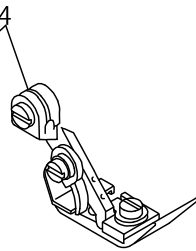
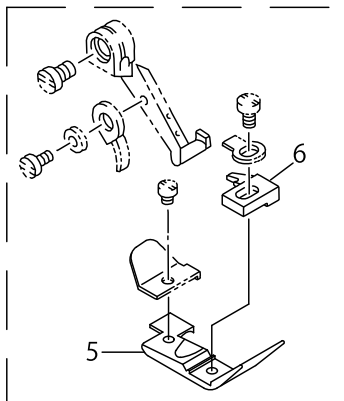
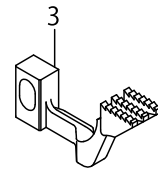
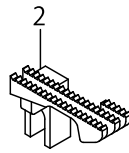
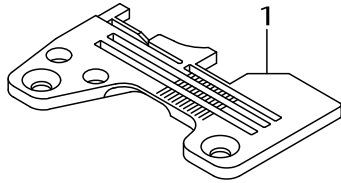


MO-3700 SUBCLASSES (9)

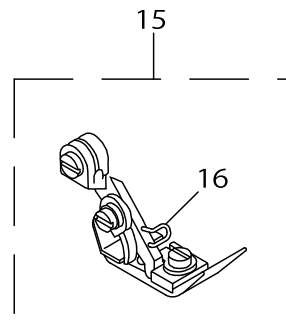
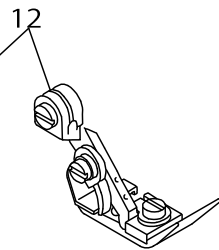
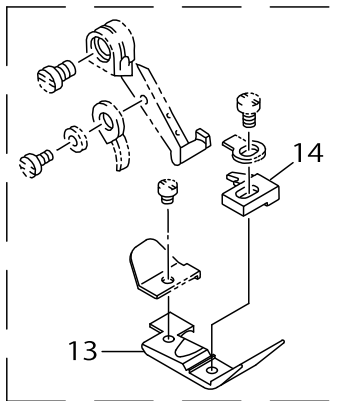
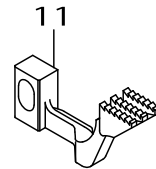
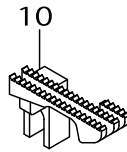
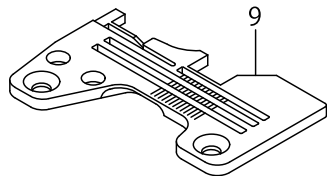
No.	Supply Code	Parts No.	Replacement	Parts name	Remarks	Choice	Step	Level	Cons	Qty	Rep. QTY
1		R4200J2ED00		THROAT PLATE						1	
2		12112504		NEEDLE THREAD P-RESSER PLATE C						1	
3		12112603		DIFFERENTIAL FEED CAM						1	
4		12112702		NEEDLE THREAD P-RESSER SPRING B						1	
5	R	11948783	11922556	CLOTH PLATE ASM.						1	1.00
6		R4200J2ED00		THROAT PLATE						1	
7		11882206		MAIN FEED DOG						1	
8		11885100		DIFFERENTIAL FEED DOG						1	
9		12112504		NEEDLE THREAD P-RESSER PLATE C						1	
10		12112603		DIFFERENTIAL FEED CAM						1	
11		12112702		NEEDLE THREAD P-RESSER SPRING B						1	
12		11876364		PRESSER FOOT ASM.						1	
13		11873007		PRESSER FOOT				*		1	
14		11820701		FINGER GUARD				*		1	
15	R	11948783	11922556	CLOTH PLATE ASM.						1	1.00
16	R	11948783	11922556	CLOTH PLATE ASM.						1	1.00
17		R4200J2DD0B		THROAT PLATE						1	
18		11597101		MAIN FEED DOG						1	
19		11886207		DIFFERENTIAL FEED DOG						1	
20	D	11988102		AUXILIARY FEED DOG						1	
21		12112504		NEEDLE THREAD P-RESSER PLATE C						1	
22		12112603		DIFFERENTIAL FEED CAM						1	
23		12112702		NEEDLE THREAD P-RESSER SPRING B						1	
24	R	11988052	11988060	PRESSER ASM.						1	1.00
25	R	11988003	11988060	PRESSER FOOT				*		1	1.00
26		11899507		STITCH TONGUE				*		1	
27	D	11899408		SPRING				*		1	
28	R	SS4080610SP	SS4080620TP	SCREW 1/8-44 L=6.4				*		1	1.00
29		11820701		FINGER GUARD				*		1	

MO-3700 SUBCLASSES (10)

MO-3704-OF6-320/S160

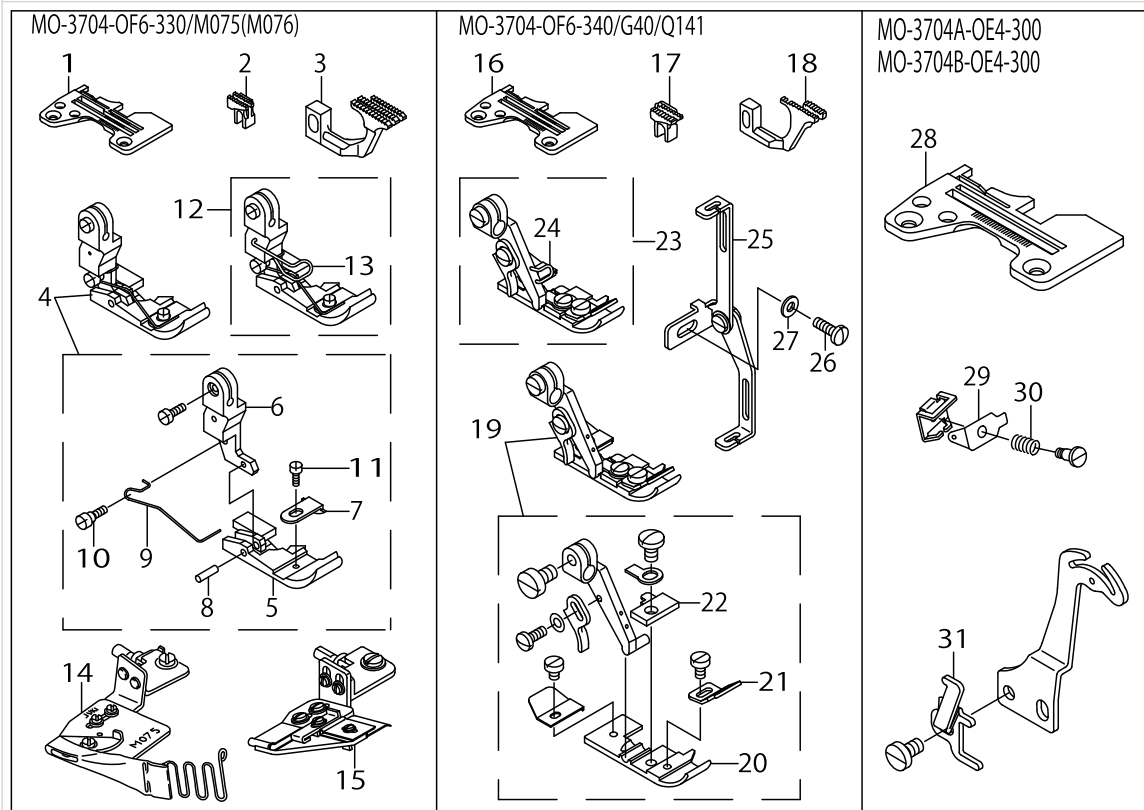


MO-3704-OF6-320/S162



MO-3700 SUBCLASSES (10)

No.	Supply Code	Parts No.	Replacement	Parts name	Remarks	Choice	Step	Level	Cons	Qty	Rep. QTY
1		R4300J0FE0A		THROAT PLATE						1	
2		11883402		MAIN FEED DOG						1	
3		12171807		DIFFERENTIAL FEED DOG						1	
4	R	11974250	11974268	PRESSER FOOT ASM.						1	1.00
5	R	11974102	11879368	PRESSER FOOT				*		1	1.00
6		B150981400P		STITCH TONGUE				*		1	
7	D	11974268		PRESSER FOOT ASM.	FOR EXPORT					1	
8		11820701		FINGER GUARD				*		1	
9		R4300J0FE0A		THROAT PLATE						1	
10		11883402		MAIN FEED DOG						1	
11		12171807		DIFFERENTIAL FEED DOG						1	
12	R	11879350	11879368	PRESSER FOOT ASM.						1	1.00
13	R	11974250	11974268	PRESSER FOOT ASM.				*		1	1.00
14		B150981400P		STITCH TONGUE				*		1	
15		11879368		PRESSER FOOT ASM.	FOR EXPORT					1	
16		11820701		FINGER GUARD				*		1	



MO-3700 SUBCLASSES (11)

No.	Supply Code	Parts No.	Replacement	Parts name	Remarks	Choice	Step	Level	Cons	Qty	Rep. QTY
1	R	R4300J0FE0B	R4300J6FE0B	THROAT PLATE						1	1.00
2		11882206		MAIN FEED DOG						1	
3		11995107		DIFFERENTIAL FEED DOG						1	
4	R	11994951	11994969	PRESSER ASM.						1	1.00
5	R	11994902	11994969	PRESSER FOOT				*		1	1.00
6		11872405		PRESSER FOOT HINGE				*		1	
7	D	11995008		BRACKET				*		1	
8		B1511357000		PIN				*		1	
9		11892106		PRESSER SPRING				*		1	
10		SD0370401SP		HINGE SCREW D= 3.70 H= 4.0				*		1	
11		SS6060340SP		SCREW 3/32-56 L=2.5				*		1	
12		11994969		PRESSER FOOT ASM.	FOR EXPORT					1	
13		11894706		FINGER GUARD				*		1	
14		MAM0750J0A0		PIPING FOLDER ASM. 9MM						1	
15		MAM0760N0A0		PIPING GUIDE ASM. 8-13MM	SPECIAL ORDER PARTS					1	
16		R4300J0FE00		THROAT PLATE						1	
17	R	11949807	13192000	MAIN FEED DOG						1	1.00
18	R	11949906	13193206	DIFFERENTIAL FEED DOG						1	1.00
19	R	12151353	12151361	TAPE PRESSER ASM.						1	1.00
20		12158002		PRESSER FOOT				*		1	
21		12160909		TAPE GUIDE				*		1	
22		B1509804C0B		STITCH TONGUE				*		1	
23	D	12151361		PRESSER FOOT ASM.	FOR EXPORT					1	
24		11820701		FINGER GUARD				*		1	
25	R	MAQ141000A0	MAQ141000B0	TAPE GUIDE ASM.						1	1.00
26		SS7091110TP		SCREW 9/64-40 L=10.5						1	
27		WP0371016SD		WASHER 3.7X8X1						1	
28	R	R4200J0ED0A	R4200J6ED0A	THROAT PLATE						1	1.00
29		12112504		NEEDLE THREAD P- RESSER PLATE C						2	
30		12112603		DIFFERENTIAL FEED CAM						1	
31		12112702		NEEDLE THREAD P- RESSER SPRING B						2	



## HOW TO MAKE USE OF THIS PARTS LIST

1.As to "#01" and "#02" refer to the "Note" given at the bottom of the respective pages.

2.Codes on the "Qty" column

- Each numeral indicates the number of parts required.
- "0.1" and "2.5" indicate the length (in meters) of the respective parts.

3.Parentheses mean that the corresponding part is a subpart that constructs an assembly part.

4.Dotted lines on the Figures indicate assembly parts.

1. リストページの# 0 1、# 0 2の印は、ページ下の"注記"の説明を参照下さい。
2. 数量欄の数字は、個数を表し、0. 1、2. 5等の数値は、長さ（単位メートル）を表します。
3. 数量欄の（ ）は、組部品を構成している子部品であることを意味します。
4. イラストページの-----枠は、組構成であることを意味します。

NUMERICAL INDEX OF PARTS

PART NO	PAGE	REF NO.	PART NO	PAGE	REF NO.	PART NO	PAGE	REF NO.
11597101	8	12	11883303	8	2	11995107	22	3
11597101	18	18	11883402	20	10	12104659	10	4
11792900	14	16	11885001	16	12	12104659	12	3
11792900	16	16	11885100	4	17	12104709	10	5
11820701	2	14	11885100	18	8	12104709	12	4
11820701	4	22	11885605	6	3	12112504	18	21
11820701	6	20	11886207	8	13	12112504	22	29
11820701	8	10	11886207	18	19	12112603	18	22
11820701	10	13	11887007	14	13	12112603	22	30
11820701	12	12	11887007	16	13	12112702	18	23
11820701	14	18	11888609	2	1	12112702	22	31
11820701	16	30	11892106	22	9	12151254	8	6
11820701	18	29	11894706	22	13	12151262	8	9
11820701	20	16	11898608	16	28	12151353	22	19
11820701	22	24	11898905	14	11	12151361	22	23
11845708	10	2	11899002	14	12	12157806	8	7
11845708	12	1	11899408	18	27	12158002	22	20
11845906	10	3	11899507	18	26	12159307	8	8
11845906	12	2	11948783	18	16	12160909	22	21
11872405	22	6	11949807	22	17	12171708	6	13
11873007	4	19	11949906	22	18	12171708	8	3
11873007	6	18	11974102	20	5	12171807	20	11
11873007	18	13	11974250	20	13	12254850	10	14
11874807	10	10	11974268	20	7	12254850	12	13
11874807	12	9	11982402	16	26	B1508804000	10	11
11876059	14	15	11982451	16	25	B1508804000	12	10
11876059	16	15	11982469	16	29	B1509804C0A	2	12
11876067	14	17	11982501	16	27	B1509804C0A	4	20
11876067	16	17	11982600	16	21	B1509804C0A	6	17
11876257	2	11	11982709	16	22	B1509804C0B	22	22
11876265	2	13	11982808	16	23	B150981400P	20	14
11876356	4	11	11982907	16	20	B1511357000	22	8
11876364	4	13	11988003	18	25	MAM0750J0A0	22	14
11876364	18	12	11988052	18	24	MAM0760N0A0	22	15
11876455	4	18	11988102	18	20	MAQ141000A0	22	25
11876455	6	16	11992104	10	9	MC033600650	10	6·7
11876463	4	21	11992104	12	8	MC033600650	12	5·6
11876463	6	19	11992153	10	8	MC033600900	6	14·15
11879350	20	12	11992153	12	7	MC033600900	8	4·5
11879368	20	15	11992161	10	12	MDC100B0800	14	14
11882008	16	11	11992161	12	11	MDC100B0800	16	24
11882206	4	16	11994902	22	5	MDC270B0900	10	6·7
11882206	18	7	11994951	22	4	MDC270B0900	12	5·6
11882206	22	2	11994969	22	12	MDC270B1400	6	14·15
11883303	6	12	11995008	22	7	MDC270B1400	8	4·5

# NUMERICAL INDEX OF PARTS

PART NO	PAGE	REF NO.
R4100J0AC00	16	1
R4100J0AC0A	16	19
R4100J0BC00	16	10
R4200J0AC00	14	1
R4200J0BC00	14	10
R4200J0DD00	2	4
R4200J0DD00	10	1
R4200J0DD0B	8	11
R4200J0ED0A	22	28
R4200J0FD00	2	5
R4200J0GD00	2	10
R4200J2DD0B	18	17
R4200J2ED00	18	6
R4300J0DE00	4	1
R4300J0EE00	4	8
R4300J0FE00	4	15
R4300J0FE00	22	16
R4300J0FE0A	20	9
R4300J0FE0B	6	1
R4300J0FE0B	22	1
R4300J0GE00	6	11
R4300J0HE00	8	1
SD0370401SP	22	10
SS4080610SP	18	28
SS6060340SP	22	11
SS6090630SP	2	2
SS7091110TP	22	26
SS7110710SL	2	3
WP0371016SD	22	27