

MODEL : LH-3188/LH-3188-7

List No : 1048-08

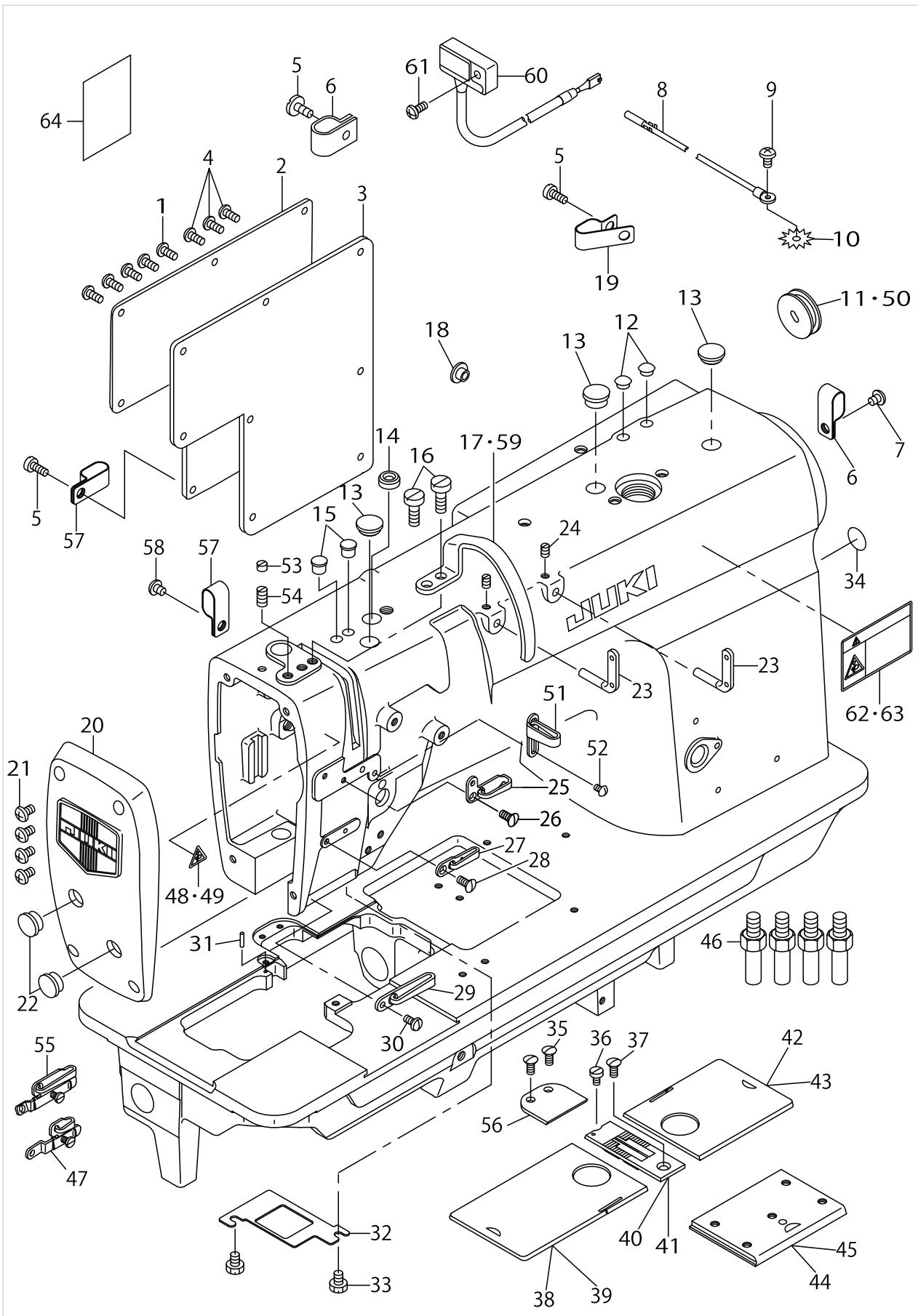
PARTS LIST

Published:05/12/2017

CONTENTS

FRAME & MISCELLANEOUS COVER COMPONENTS	1
MAIN SHAFT & THREAD TAKE-UP COMPONENTS	5
NEEDLE BAR COMPONENTS	7
TENSION POST COMPONENTS	13
HOOK & HOOK DRIVING SHAFT COMPONENTS	17
FEED MECHANISM COMPONENTS	23
PRESSER BAR & TENSION RELEASE COMPONENTS	27
THREAD TRIMMER MECHANISM COMPONENTS (FOR LH-3188-7)	31
AUTOMATIC REVERSE FEED MECHANISM COMPONENTS (FOR LH-3168-7)	35
WIPER MECHANISM COMPONENTS (FOR LH-3188-7)	37
LUBRICATION COMPONENTS	39
BELT COVER & BOBBIN WINDER COMPONENTS	43
OIL RESERVOIR & KNEE LIFTER COMPONENTS	45
THREAD STAND COMPONENTS (1)	47
THREAD STAND COMPONENTS (2) (FOR JH, JS)	49
TABLE OF EXCHANGING GAUGE PARTS (1)	51
TABLE OF EXCHANGING GAUGE PARTS (2)	55
TABLE OF EXCHANGING GAUGE PARTS (3)	59
LIST FOR INFORMATION OF CHANGE	61

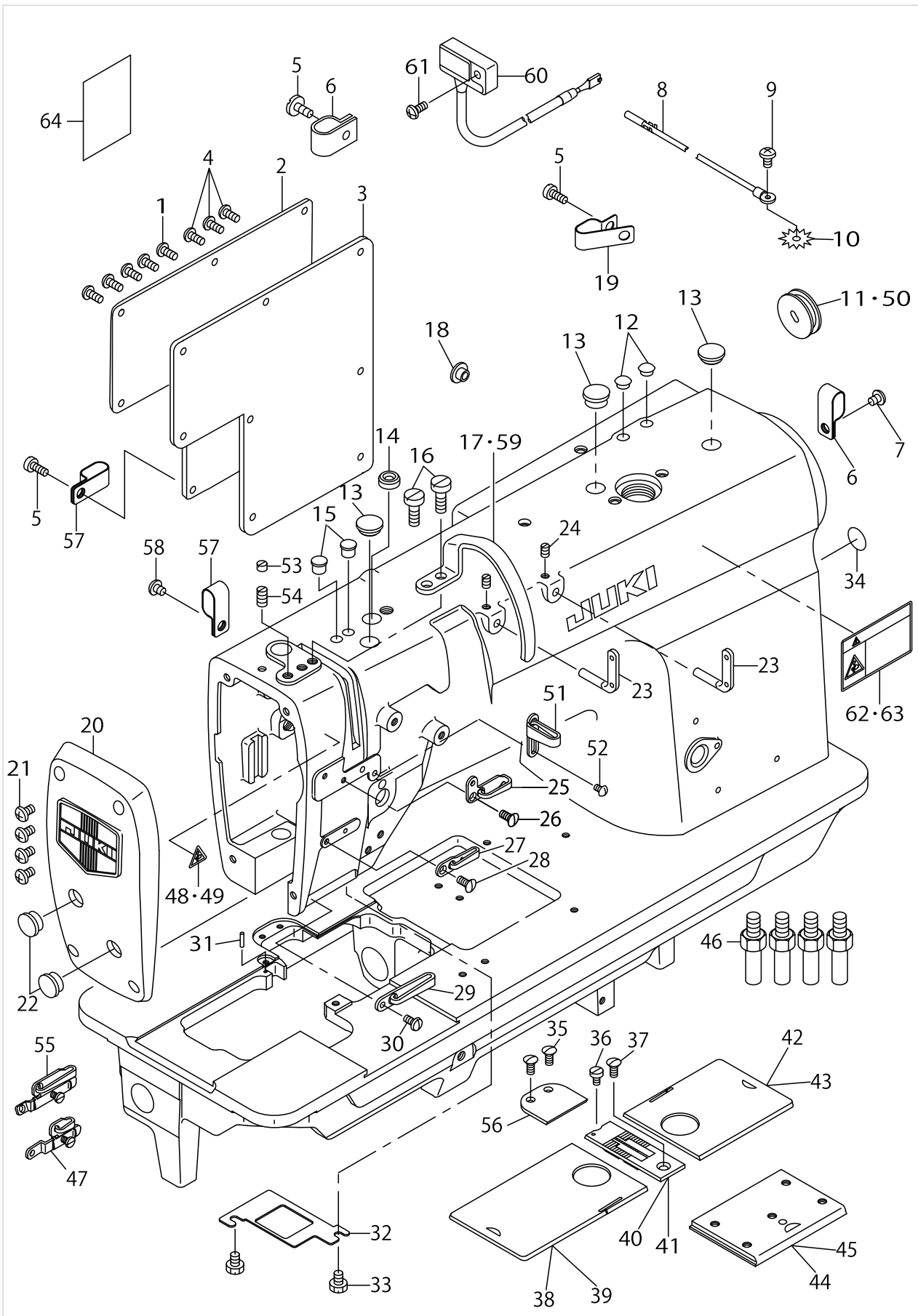
FRAME & MISCELLANEOUS COVER COMPONENTS



FRAME & MISCELLANEOUS COVER COMPONENTS

No.	Supply Code	Parts No.	Replacement	Parts name	Remarks	Choice	Step	Level	Cons	Qty	Rep. QTY
1		SS4110815SP		SCREW 11/64-40 L=8						5	
2		10602902		SLIDE PLATE						1	
3		10101004		GASKET						1	
4		SS4110815SP		SCREW 11/64-40 L=8	FOR LH-3188					3	
5		SS6111140SP		SCREW 11/64-40 L=11	FOR LH-3188-7					3	
6		D2112555B00		CORD HOLDER, LARGE	FOR LH-3188-7					2	
7		SS4120615SP		SCREW 3/16-28 L=6	FOR LH-3188-7					1	
8		22951552		GROUND WIRE ASM.	FOR LH-3188-7					1	
9		SS4120615SP		SCREW 3/16-28 L=6	FOR LH-3188-7					1	
10		WT0530002KS		TOOTHED WASHER D=5.3	FOR LH-3188-7					1	
11		22657803		RUBBER PLUG	FOR LH-3188-7					1	
12		TA0750404R0		PLUG D=7.5 L=3.5	FOR LH-3188					2	
13		TA1250406R0		RUBBER PLUG D=12.5 L=4						3	
14		22620900		CAP						1	
15		TA0750704R0		RUBBER PLUG						2	
16		SS6151780SP		SCREW 15/64-28 L=17.0						2	
17		22810105		THREAD TAKE-UP LEVER OIL GUARD	EXCEPT USE IN JAPAN & JE					1	
18		TA1250406R0		RUBBER PLUG D=12.5 L=4						1	
19		D2112555B00		CORD HOLDER, LARGE	FOR LH-3188-7-WB, -WO, -OB					1	
20		22680250		FACE PLATE ASM.						1	
21		SS4121015SP		SCREW 3/16-28 L=10						4	
22		TA1250406R0		RUBBER PLUG D=12.5 L=4						2	
23		22920706		TWO EYELET						2	
24		SS8120740SP		SCREW 3/16-28 L=7						2	
25	D	22811400		THREAD GUIDE(UPPER), LEFT						1	
26		SS2090710TP		SCREW 9/64-40 L=7.2						1	
27		22603112		THREAD GUIDE						1	
28		SS2090710TP		SCREW 9/64-40 L=7.2						1	
29	R	22603203	SS2090810SP	THREAD GUIDE(LOWER)	FOR LH-3188	A				1	1.00
29	R	22603203	40084142	THREAD GUIDE(LOWER)	FOR LH-3188	A				1	1.00
30		SS2090710TP		SCREW 9/64-40 L=7.2						1	
31		B1104051000		THROAT PLATE PIN						1	
32		22680003		PLATE						1	
33		SS9110460CP		SCREW 11/64-40 L=4						2	
34		22901805		GROUND MARK						1	
35		SS2090710TP		SCREW 9/64-40 L=7.2						2	
36	R	SS6090630SP	SS6090630TP	SCREW 9/64-40 L=6						1	1.00
37		SS2110920TP		SCREW 11/64-40 L=8.5						1	
38		22601058		BED SLIDE LEFT, ASM., A	EXCHANGING GAUGE PARTS FOR LH-3188(S-E-E-P.27~31)					1	
39		22650857		BED SLIDE LEFT, ASM., A	EXCHANGING GAUGE PARTS FOR LH-3188-7-(SEE P.27~31)					1	

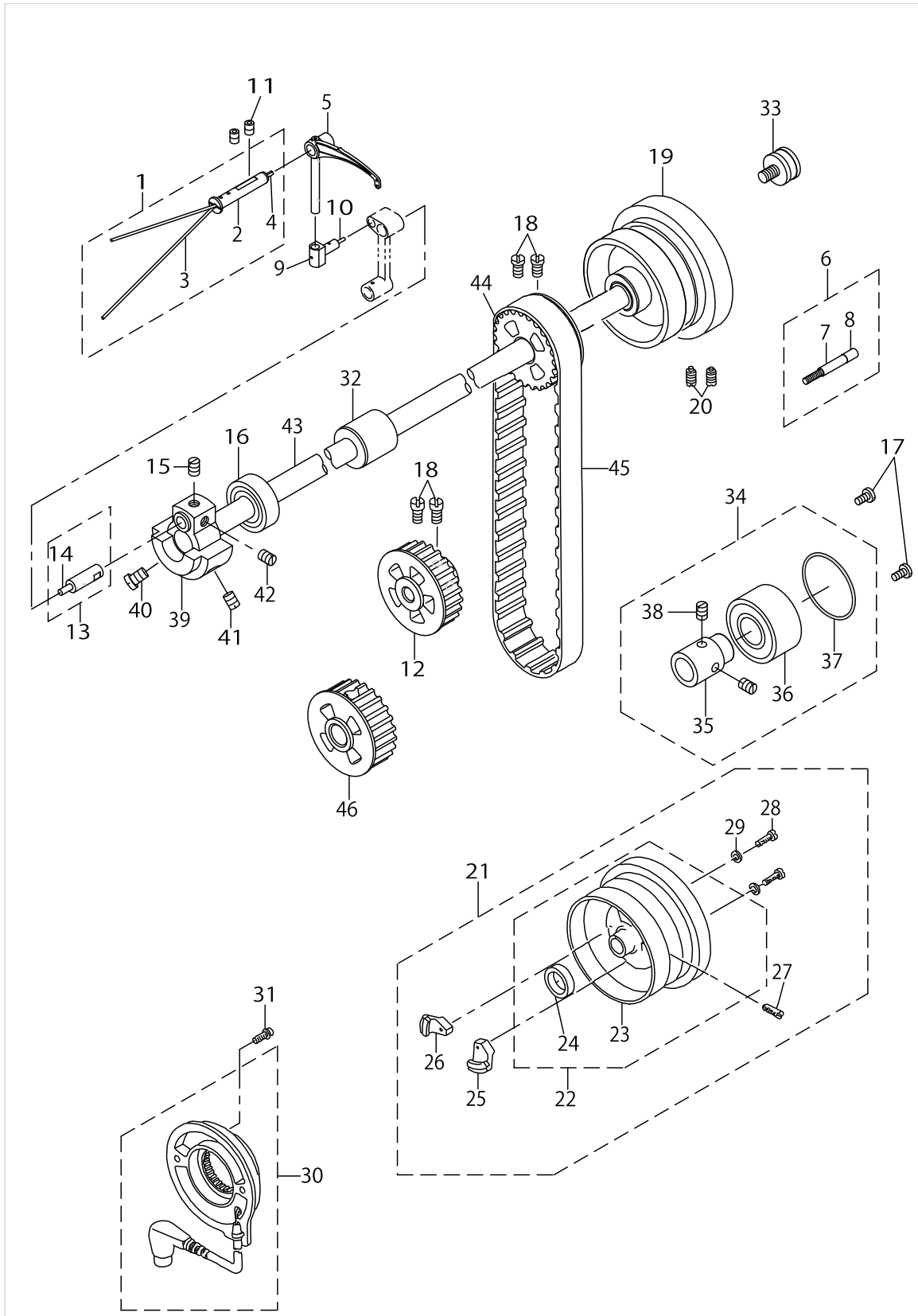
FRAME & MISCELLANEOUS COVER COMPONENTS



FRAME & MISCELLANEOUS COVER COMPONENTS

No.	Supply Code	Parts No.	Replacement	Parts name	Remarks	Choice	Step	Level	Cons	Qty	Rep. QTY
40		22625503		THROAT PLATE 1/4	EXCHANGI- NG GAUGE PARTS FOR LH-3188(S- EEP.27~31)					1	
41		22660609		THROAT PLATE 1/4	EXCHANGI- NG GAUGE PARTS FOR LH-3188-7- (SEE P.27~31)					1	
42		22600555		BED SLIDE RIGHT, ASM., A	EXCHANGI- NG GAUGE PARTS FOR LH-3188(S- EEP.27~31)					1	
43		22650352		BED SLIDE RIGHT, ASM., A	EXCHANGI- NG GAUGE PARTS FOR LH-3188-7- (SEE P.27~31)					1	
44		22650055		BED SLIDE ASM.	FOR LH-3188					1	
45		22650055		BED SLIDE ASM.	FOR LH-3188-7					1	
46		22602601		BED SCREW STUD						4	
47		22651459		THREAD GUIDE ASM., E	FOR LH-3188-7					1	
48		CM3002000B1		LABEL(16)	FOR USE IN JAPAN					1	
49		CM300200001		ATTENTION SEAL	FOR JE					1	
50		22619100		CAP	FOR LH-3188					1	
51		22811301		THREAD GUIDE(UPPER), RIGHT						1	
52		SS3090610SP		SCREW 9/64-40 L=6						1	
53	R	SS8150410SP	SS8150410TP	SCREW 15/64-28 L=4						1	1.00
54	R	SS8151150SP	SS8151150TP	SCREW 15/64-28 L=10.5						1	1.00
55		22811558		THREADGUIDEFASM.	OPTIONAL PARTS					1	
56		22651202		AUXILIARY COVER						1	
57		D2112555B00		CORD HOLDER, LARGE	FOR LH-3- 188-7-WB, -WO, -OB					2	
58		SS4120615SP		SCREW 3/16-28 L=6	FOR LH-3- 188-7-WB, -WO, -OB					1	
59		22818009		BALANCE COVER(FOR JE)	FOR USE IN JAPAN , JE					1	
60		M6045350AAA		RESISTANCE PACK ASM.AA	FOR LH-3188-7					1	
61		SS4111015SP		SCREW11/64-40L=10	FOR LH-3188-7					1	
62		CM3002001A1		SAFETY LABEL.,3 (SMALL).	EXCEPT U- SE IN JAPAN & JE					1	
63		CM300200101		SAFETY LABEL, 1(SMALL).	FOR USE IN JAPAN					1	
64		40021415		INSTRUCTION MAN- UAL(SUPPLEMENT)	FOR CHINA					1	

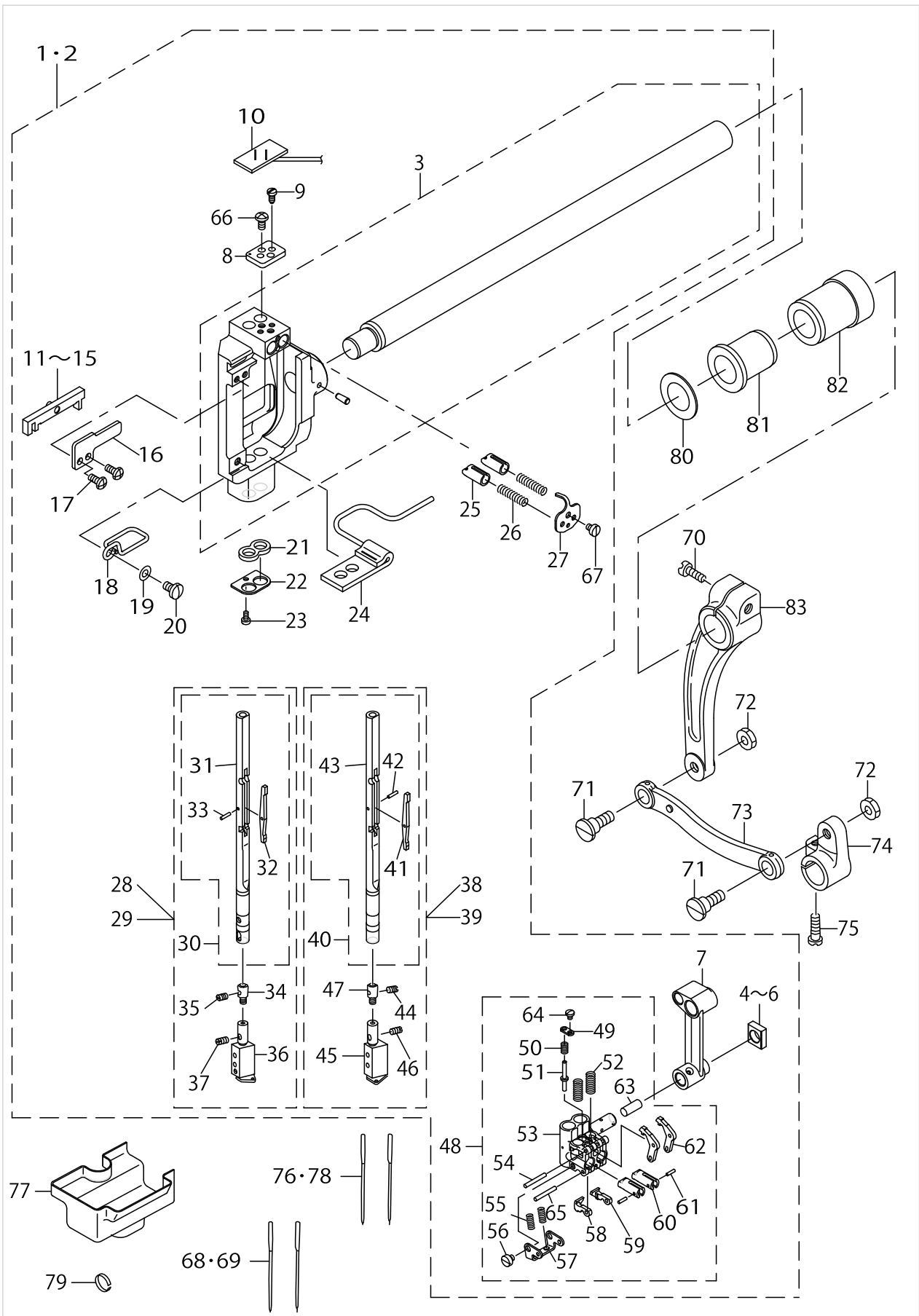
MAIN SHAFT & THREAD TAKE-UP COMPONENTS



MAIN SHAFT & THREAD TAKE-UP COMPONENTS

No.	Supply Code	Parts No.	Replacement	Parts name	Remarks	Choice	Step	Level	Cons	Qty	Rep. QTY
1		22605356		THREAD TAKE-UP LEVER PIN ASM.						1	
2		22605307		THREAD TAKE-UP LEVER PIN				*		1	
3		CQ202000000		OIL WICK				*		0.4	
4		CQ252000000		OIL WICK				*		0.04	
5		23204001		THREAD TAKE-UP LEVER D						1	
6		22622351		SENSOR SUPPORT SHAFT ASM.	OPTIONAL PARTS					1	
7		22622302		SENSOR SUPPORT SHAFT				*		1	
8		BT0630520Z0		HOLDER COVER				*		0.01	
9		22605406		TAKE-UP LEVER THRUST PIN						1	
10		CQ252000000		OIL WICK						.03	
11		SS8150822TP		SCREW 15/64-28 L=8						2	
12		22623201		SPROCKET WHEEL	FOR LH-3188					1	
13		22680656		NEEDLE BAR CRANK PIN ASM.						1	
14		CQ505000000		OIL WICK				*		0.03	
15		SS8680540SP		SCREW 9/32-28 L=4.5						1	
16		B1202512000		MAIN SHAFT BUSHING, FRONT						1	
17		SS7120760SP		SCREW 3/16-28 L=7.0						2	
18		SS6661110SP		SCREW 1/4-40 L=11						4	
19		22604508		HAND WHEEL	FOR LH-3188					1	
20		SS8151550SP		SCREW 15/64-28 L=15	FOR LH-3188					2	
21		22651566		HAND WHEEL ASM.	FOR LH-3188-7					1	
22		22651558		HAND WHEEL				*		1	
23	D	22651509		HAND WHEEL				*		1	
24		M4002110000		GENERATOR ROTOR				*		1	
25		M40071100AA		MAGNET FITTING BASE A ASM.				*		1	
26		M40071100AB		MAGNET FITTING BASE B ASM.				*		1	
27		SS8151550SP		SCREW 15/64-28 L=15				*		2	
28		SS6111210SP		SCREW 11/64-40 L=12				*		2	
29		WP0450801SD		WASHER 4.5X10X0.8				*		2	
30		22937965		DYNAMO STATOR	FOR LH-3188-7					1	
31		10604809		SCREW	FOR LH-3188-7					2	
32		22603906		UPPER SHAFT INNER METAL						1	
33		22622401		SYNCRO FRNGE	OPTIONAL PARTS					1	
34		22604656		THRUST COLLAR ASM.						1	
35		22604607		THRUST COLLAR				*		1	
36		SB120000100		BEARING D=20X47				*		1	
37		RO437200200		RUBBER RING				*		1	
38		SS8660530TP		SCREW 1/4-40 L= 4.5				*		2	
39	D	22604409		COUNTERWEIGHT						1	
40		SS7681750TP		SCREW 9/32-28 L=16.5						1	
41		SS8681650TP		SCREW 9/32-28 L=16						1	
42		SS8680810TP		SCREW 9/32-28 L=8.0						1	
43		22604003		MAIN SHAFT						1	
44		22604904		UPPER SPROCKET						1	
45		22604300		TIMING BELT						1	
46		22651608		SPROCKET WHEEL	FOR LH-3188-7					1	

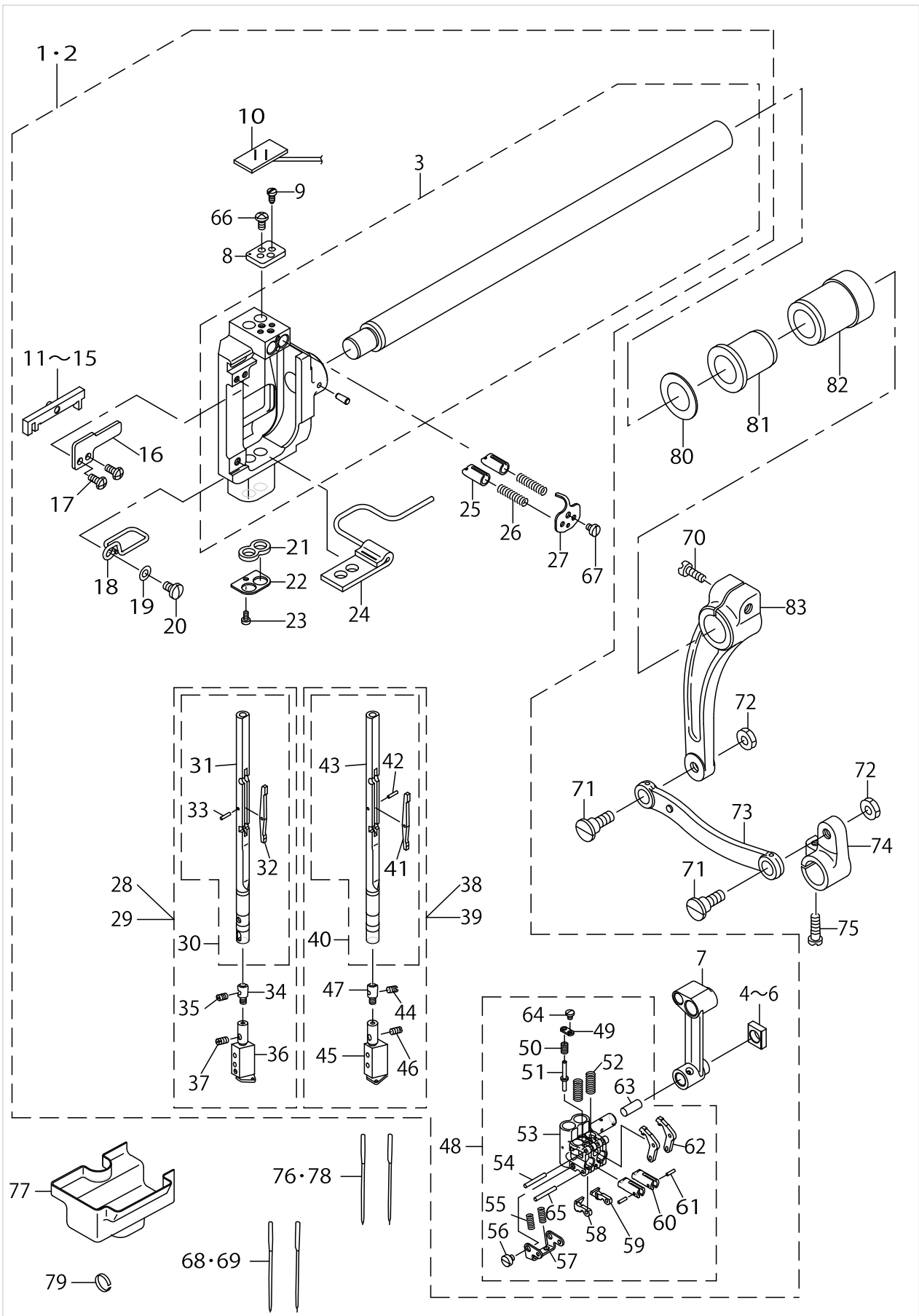
NEEDLE BAR COMPONENTS



NEEDLE BAR COMPONENTS

No.	Supply Code	Parts No.	Replacement	Parts name	Remarks	Choice	Step	Level	Cons	Qty	Rep. QTY
1		22682652		NEEDLE BAR FRAME ASM.	FOR LH-3188					1	
2		22693451		NEEDLE BAR FRAME ASM.	LH-3188-7					1	
3		23204951		NEEDLE BAR FRAME ASM.				*		1	
4		23204506		ROCKING ROD SQUARE BLOCK A	SELECTIVE PARTS			*		1	
5		23204605		ROCKING ROD SQUARE BLOCK B	SELECTIVE PARTS			*		1	
6		23204704		ROCKING ROD SQUARE BLOCK C	SELECTIVE PARTS			*		1	
7		22684609		NEEDLE BAR CRANK ROD				*		1	
8		22682702		NEEDLE BAR SWIVEL STOPPER				*		1	
9		22681712		STOPPER SCREW				*		2	
10		22682850		FELT ASM.				*		1	
11		22681951		SLIDERBLOCKASM.A	SELECTIVE PARTS			*		1	
12		22682058		SLIDERBLOCKASM.B	SELECTIVE PARTS			*		1	
13		22682157		SLIDE BLOCK	SELECTIVE PARTS			*		1	
14		22682256		SLIDERBLOCKASM.D	SELECTIVE PARTS			*		1	
15		22682355		SLIDERBLOCKASM.E	SELECTIVE PARTS			*		1	
16		22681803		SLIDE BLOCK GUIDE PLATE				*		1	
17		SS4090815SP		SCREW 9/64-40 L=8				*		2	
18		22685903		FELT GUIDE				*		1	
19		WP0450000SD		WASHER 4.5X8X0.5				*		1	
20		SS7110710SP		SCREW 11/64-40 L=7				*		1	
21		22686000		NEEDLE BAR OIL SEAL FELT, A				*		1	
22		22685804		NEEDLE BAR OIL SEAL PLATE				*		1	
23		SS6060510TP		SCREW 3/32-56 L=4.5				*		1	
24		22686158		OILSEALFELTASM.,B				*		1	
25		22681407		NEEDLE BAR STOPPER				*		2	
26		22681506		SPRING				*		2	
27	R	22681316	40095222	STOPPER SPRING COVER				*		1	1.00
28	D	22693253		NEEDLE BAR UNIT, LEFT	LH-3188-7			*		1	
29	D	22685168		NEEDLE BAR UNIT, LEFT	FOR LH-3188			*		1	
30	D	22685150		NEEDLE BAR ASM., LEFT				*		1	
31	R	22685101	22685150	NEEDLE BAR, LEFT				*		1	1.00
32	R	22685200	40026984	SEESAW PLATE		A	LH- 右/ Right	*		1	1.00
32	R	22685200	40026983	SEESAW PLATE		B	LH- 左/Left	*		1	1.00
32	R	22685200	40064252	SEESAW PLATE		C	APW- 右 L- H-896N 右- /APW- Rig- ht LH-896N Right	*		1	1.00
32	R	22685200	40064253	SEESAW PLATE		D	APW- 左 L- H-896N 左- /APW- Left LH-896N Left	*		1	1.00
33		22685408		NEEDLE BAR PIN				*		1	
34		22682504		SPRING BEARING				*		1	
35		B1425526000		SCREW 1/8-44 L=6				*		1	
36		B1402528FALA		NEEDLE CLAMP ASM. 1/4	EXCHANGI- NG GAUGE PARTS (S- EEP.27~31)			*		1	
37		B1425526000		SCREW 1/8-44 L=6				*		1	
38		22685366		NEEDLE BAR UNIT, RIGHT	FOR LH-3188			*		1	

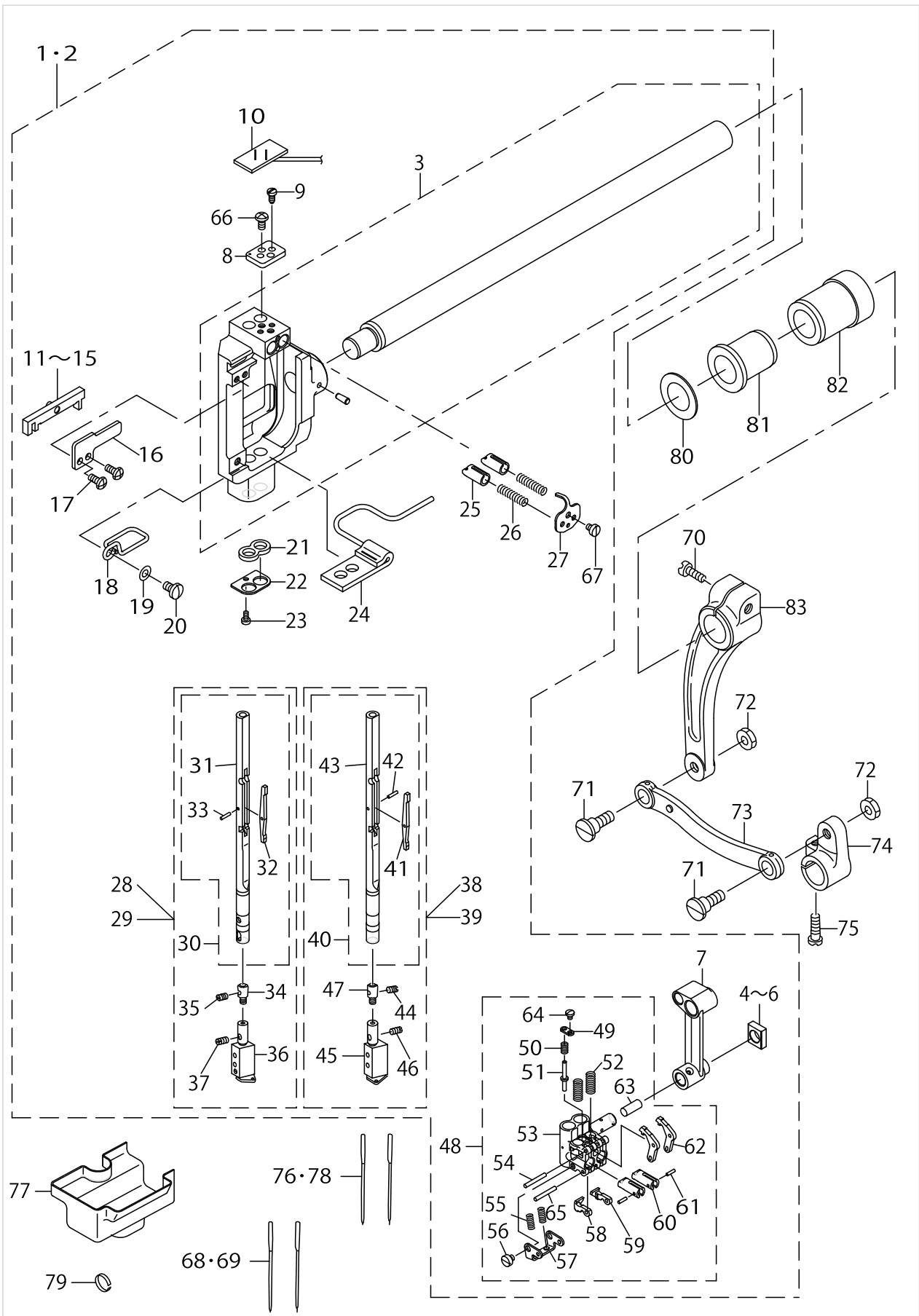
NEEDLE BAR COMPONENTS



NEEDLE BAR COMPONENTS

No.	Supply Code	Parts No.	Replacement	Parts name	Remarks	Choice	Step	Level	Cons	Qty	Rep. QTY
39	D	22693352		NEEDLE BAR UNIT, RIGHT	LH-3188-7			*		1	
40	D	22685358		NEEDLE BAR ASM., RIGHT				*		1	
41	R	22685200	40026984	SEESAW PLATE		A	LH- 右/ Right	*		1	1.00
41	R	22685200	40026983	SEESAW PLATE		B	LH- 左/Left	*		1	1.00
41	R	22685200	40064252	SEESAW PLATE		C	APW- 右 L- H-896N 右- /APW- Rig- ht LH-896N Right	*		1	1.00
41	R	22685200	40064253	SEESAW PLATE		D	APW- 左 L- H-896N 左- /APW- Left LH-896N Left	*		1	1.00
42		22685408		NEEDLE BAR PIN				*		1	
43	R	22685309	22685358	NEEDLE BAR, RIGHT				*		1	1.00
44		B1425526000		SCREW 1/8-44 L=6				*		1	
45		B1402528FARA		NEEDLE CLAMP ASM. 1/4	EXCHANGI- NG GAUGE PARTS (S- EEP.27~31)			*		1	
46		B1425526000		SCREW 1/8-44 L=6				*		1	
47		22682504		SPRING BEARING				*		1	
48		22683056		NEEDLE BAR CONNECTION ASM.				*		1	
49		22683205		RELEASE PIN COVER				*		1	
50		22683304		SPRING				*		1	
51		22683106		RELEASE PIN				*		1	
52		22683809		SPRING				*		2	
53		22683007		NEEDLE BAR CONNECTION				*		1	
54		22683403		NEEDLE BAR CONNECTION PIN				*		1	
55		22684104		SPRING				*		2	
56		SS6080340SP		SCREW 1/8-44 L=2.9				*		2	
57		22684203		SPRING BRACKET				*		1	
58		22683908		CLUTCH STOPPER, LEFT				*		1	
59		22684005		CLUTCH STOPPER, RIGHT				*		1	
60		22683502		NEEDLEBARCLUTCH				*		2	
61		B1705850000		STOPPER PIN				*		2	
62		22683601		CLUTCH LEVER				*		2	
63		CQ252000000		OIL WICK				*		0.03	
64		SS7060310SP		SCREW 3/32-56 L=3				*		1	
65		40015144		NEEDLE BAR CONNECTION PIN				*		1	
66		SS4090715SP		SCREW 9/64-40 L=7				*		2	
67		SS6080410SP		SCREW 1/8-44 L=6.4				*		1	
68		MDP500B1400		NEEDLE DPX5 #14	TYPE S					2	
69		MC200500900		NEEDLE 134 90	TYPE S					2	
70		SS6152440SP		SCREW 15/64-28 L=23.5						1	
71		SD0870601SP		HINGE SCREW D= 8.73 H= 6.0						2	
72		NS6150430SP		NUT 15/64-28						2	
73		22607105		DRIVING ROD						1	
74	R	22607204	22607253	DRIVING ARM						1	1.00
75		SS6121610TP		SCREW 3/16-28 L=15.5						1	
76		MDP500B2100		NEEDLE DPX5 #21	TYPE G					2	

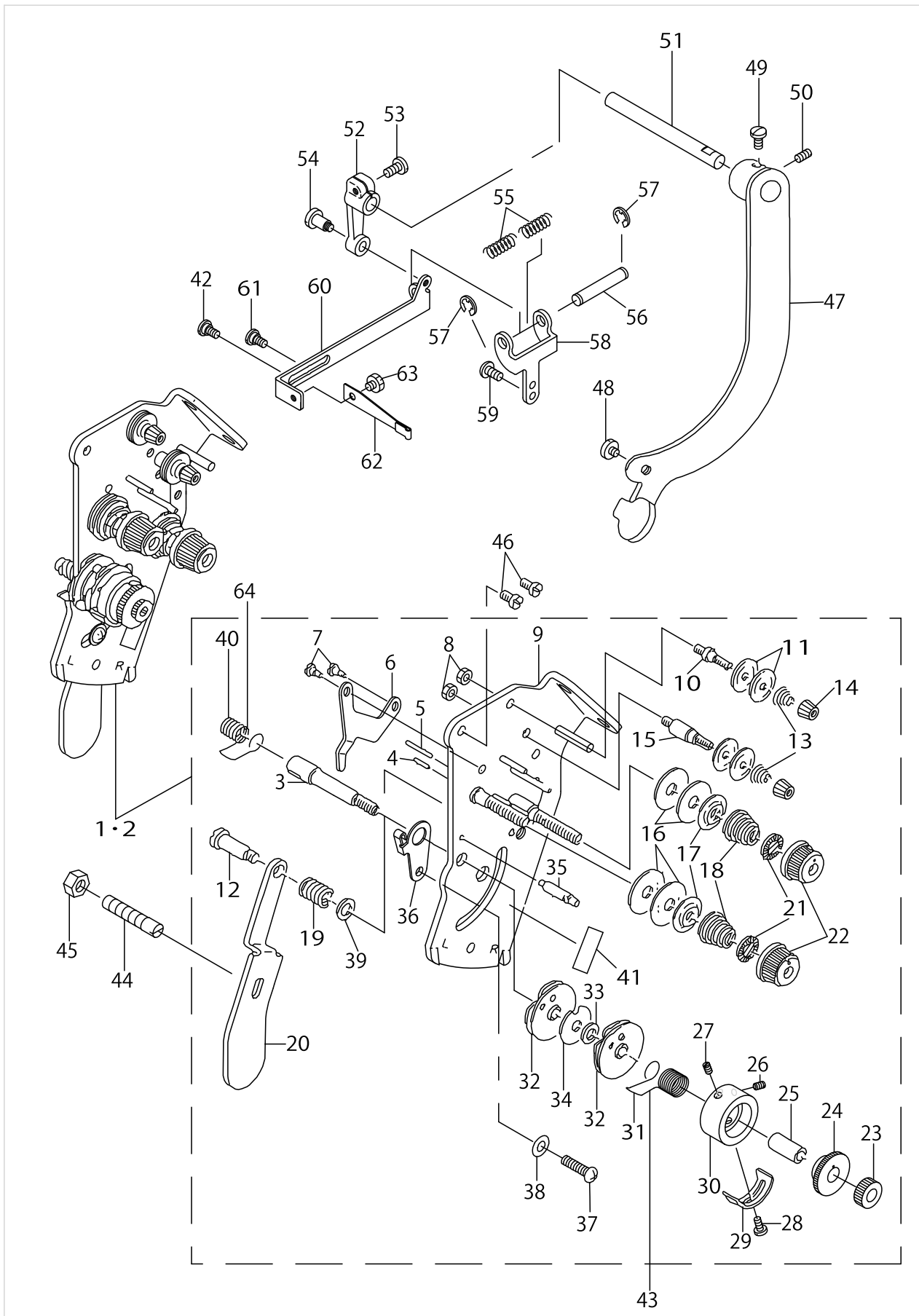
NEEDLE BAR COMPONENTS



NEEDLE BAR COMPONENTS

No.	Supply Code	Parts No.	Replacement	Parts name	Remarks	Choice	Step	Level	Cons	Qty	Rep. QTY
77		22685705		OIL GUARD RUBBER						1	
78		MC200501300		NEEDLE 134 NM130	TYPE G					2	
79		B1414512000		OIL WICK RETAINER						1	
80		B1438512B00		WASHER 17.1X28X1.5	SELECTIVE PARTS					1	
81		22607303		BUSHING						1	
82		22607402		BUSHING						1	
83		22607006		REAR ARM						1	

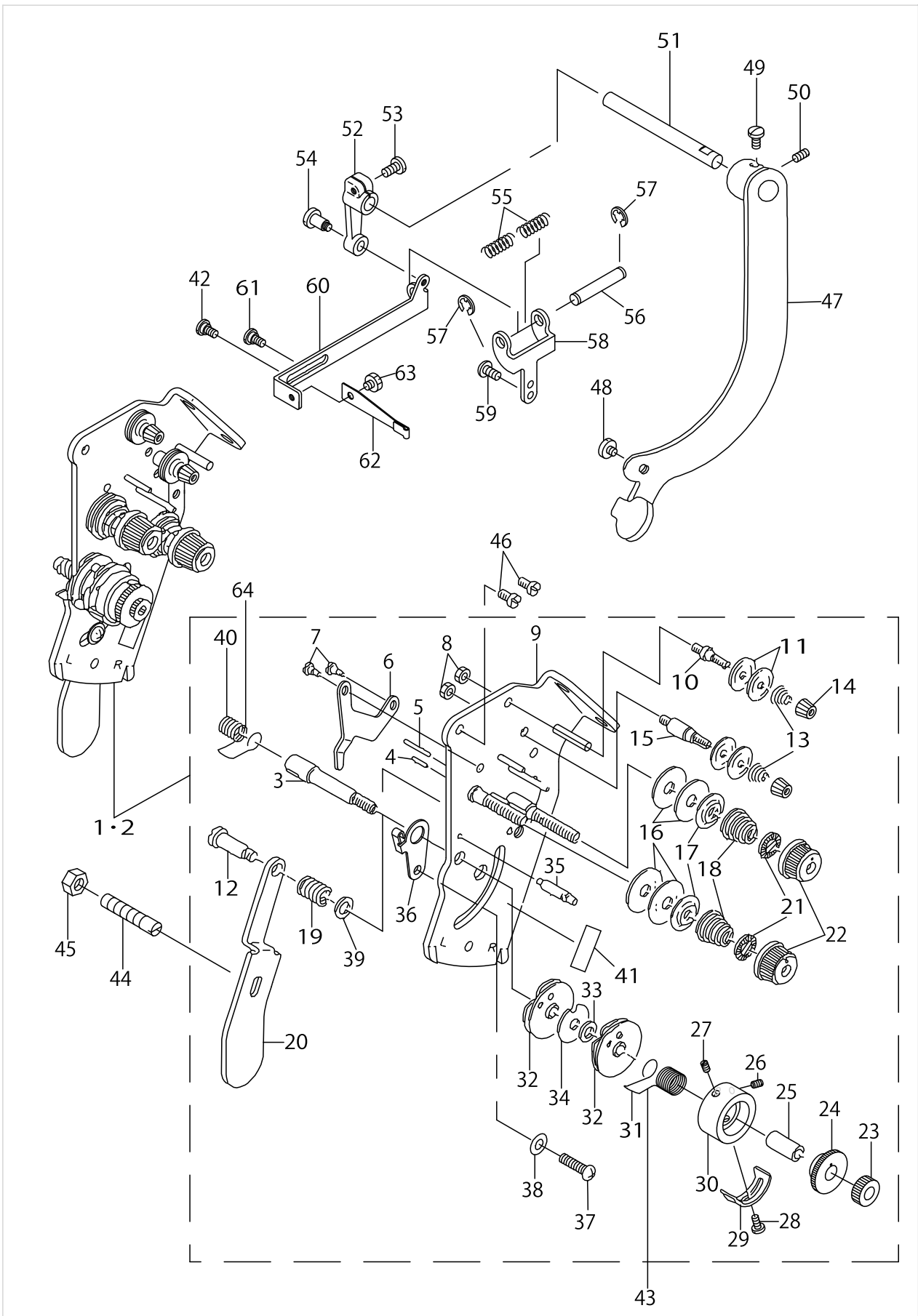
TENSION POST COMPONENTS



TENSION POST COMPONENTS

No.	Supply Code	Parts No.	Replacement	Parts name	Remarks	Choice	Step	Level	Cons	Qty	Rep. QTY
1		22689657		THREAD TENSION ASM.G	TYPE G					1	
2		22689061		THREAD TENSION ASM., S	TYPE S					1	
3		10697605		THREAD TAKE-UP SPRING STUD				*		1	
4		22618201		TENSION RELEASE PIN, A				*		1	
5		22618300		TENSION RELEASE PIN, B				*		1	
6		22618102		TENSION RELEASE LEVER				*		1	
7		SD0470281SP		HINGE SCREW D=4.7 H=2.8				*		2	
8		NS6110310SP		NUT 11/64-40				*		2	
9		22689053		TENSION BASE PLATE ASM.				*		1	
10		10124204		THREAD TENSION POST, A				*		1	
11		10741106		FIRST THREAD TENSION PLATE				*		4	
12		SD0601171SP		HINGE SCREW D= 6 H=11.7				*		1	
13		11093606		THREAD TENSION SPRING				*		2	
14		11072402		THREAD TENSION NUT				*		2	
15		10124303		THREAD TENSION POST, B				*		1	
16	R	B3126012000	22921506	THREAD TENSION DISK				*		4	1.00
17		22617906		THREAD TENSION DISK PRESSER				*		2	
18		B3114232000		THREAD TENSION SPRING				*		2	
19		B1449526000		REPOSITIONING LEVER SPRING				*		1	
20		22689103		REPOSITIONING LEVER				*		1	
21		B3112704000		TENSION SPRING BUSHING				*		2	
22		11956802		THREAD TENSION KNOB, BLUE				*		2	
23	R	22617807	22928808	NUT				*		1	1.00
24		22617708		TAKE-UP SPRING GUIDE				*		1	
25		B3141527000		PRESSER COLLAR				*		1	
26	R	22618904	SM8030500SP	SET SCREW				*		1	1.00
27	R	22618904	SM8030500SP	SET SCREW				*		1	1.00
28		SS7090510SP		SCREW 9/64-40 L= 4.6				*		1	
29		B3138527000		ADJUSTING PLATE B				*		1	
30		22617609		THREAD TENSION POST				*		1	
31		22618805		THREAD TAKE-UP SPRING B				*		1	
32		B31375270A0		TAKE-UP SPRING GUIDE ASM.				*		2	
33		B3139527000		COLLAR				*		1	
34		B3142527000		TAKE-UP SPRING GUIDE PLATE				*		1	
35		B3143527000		TAKE-UP SPRING GUIDE STUD				*		1	
36		10697506		THREAD TENSION BRACKET, A				*		1	
37		SS4110615SP		SCREW 11/64-40 L=6				*		1	
38		WP0501016SD		WASHER 5X10.5X1				*		1	
39		WP0450801SP		WASHER				*		1	
40		22618706		THREAD TAKE-UP SPRING A				*		1	
41		22689301		LABEL				*		1	
42		SD0640241SP		HINGE SCREW D= 6.35 H= 2.4				*		1	
43		22835805		TENSION SPRING(RIGHT) 0.8	OPTIONAL PARTS			*		1	
44		22689202		LEVER PIN SCREW				*		1	
45		NS6120310SP		NUT 3/16-28				*		1	
46		SS4120615SP		SCREW 3/16-28 L=6				*		2	

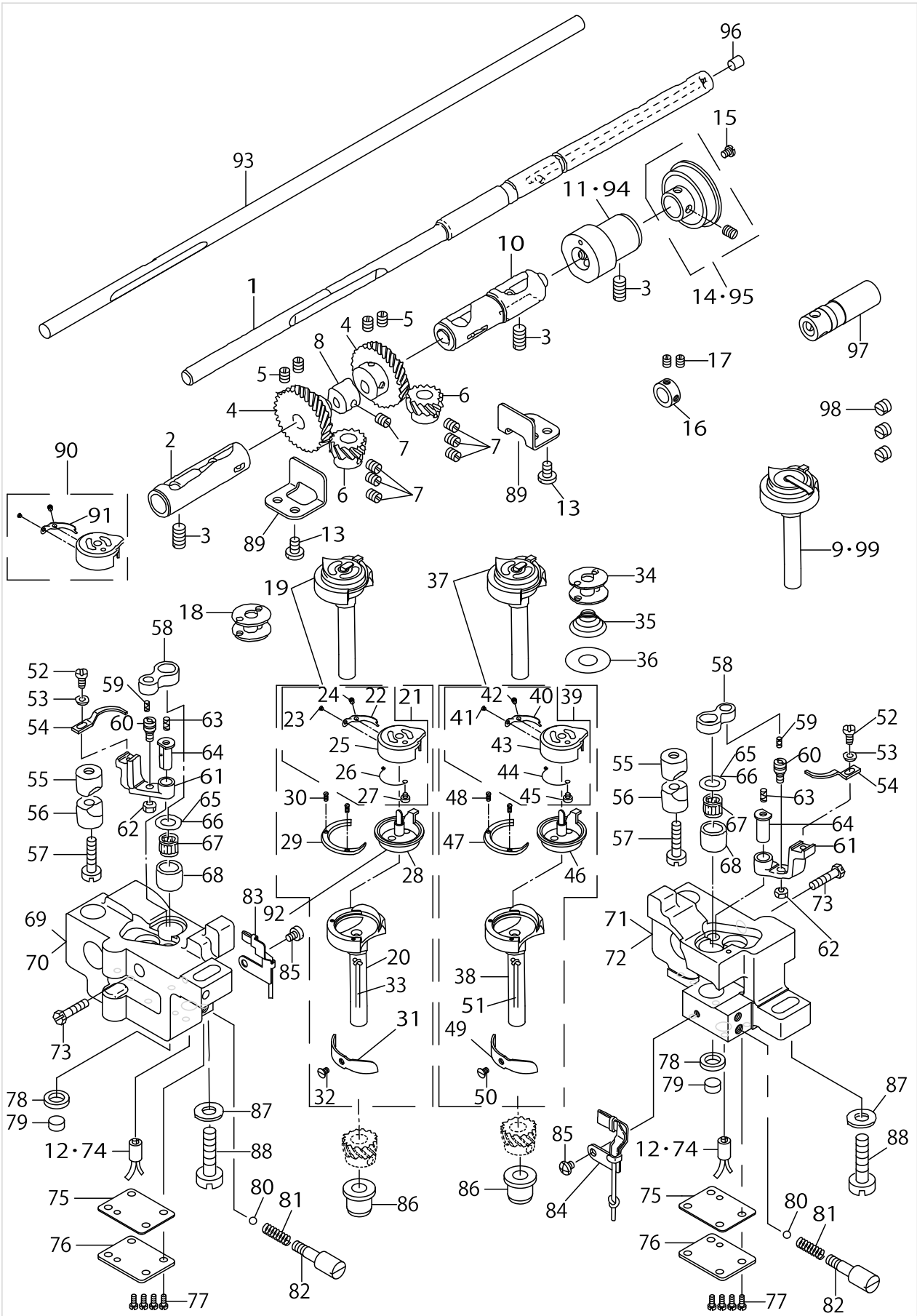
TENSION POST COMPONENTS



TENSION POST COMPONENTS

No.	Supply Code	Parts No.	Replacement	Parts name	Remarks	Choice	Step	Level	Cons	Qty	Rep. QTY
47		22687453		REPOSITIONING LEVER ASM.						1	
48		SS6110430TP		SCREW 11/64-40 L= 4.0						1	
49		SS7110740TP		SCREW 11/64-40 L=7						1	
50		SS8110520TP		SCREW 11/64-40 L= 4.5						1	
51		22687305		REPOSITIONING LEVER SHAFT						1	
52		22687800		REROSITIONING ARM						1	
53		SS7111410TP		SCREW11/64-40L=14						1	
54		SD0640752TP		HINGE SCREW D= 6.35 H= 7.5						1	
55		22687503		SPRING						2	
56		22687701		SPRING SHAFT						1	
57		RE0700000K0		E-RING 7						2	
58		22687602		SPRING BASE						1	
59		SS4120915SP		SCREW 3/16-28 L=9						2	
60		22687107		REPOSITIONING PLATE						1	
61		SD0640241SP		HINGE SCREW D= 6.35 H= 2.4						1	
62		22687008		LEAF SPRING						1	
63		SS9110460CP		SCREW 11/64-40 L=4						1	
64		B3128520000		TENSION SPRING	OPTIONAL PARTS					1	

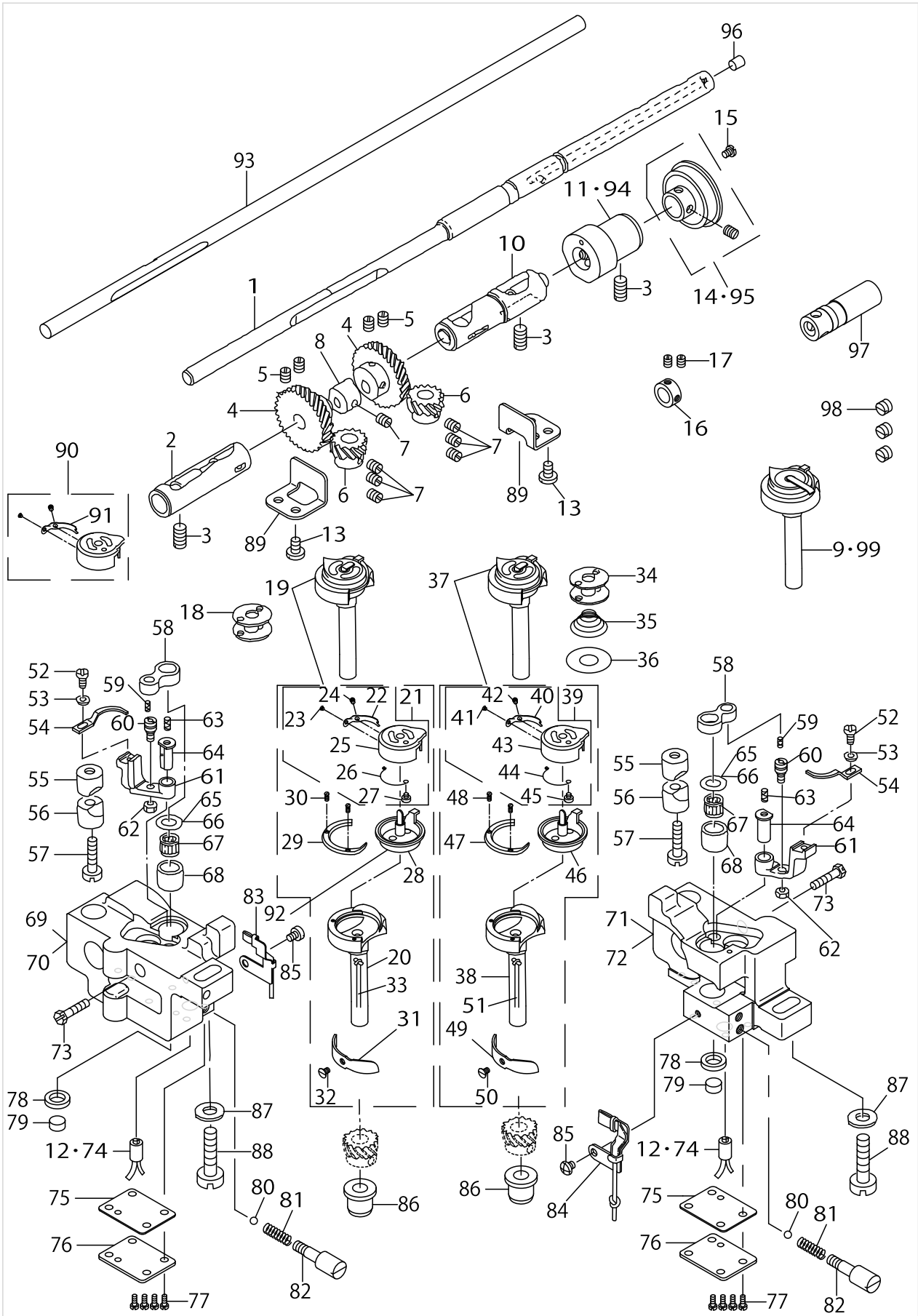
HOOK & HOOK DRIVING SHAFT COMPONENTS



HOOK & HOOK DRIVING SHAFT COMPONENTS

No.	Supply Code	Parts No.	Replacement	Parts name	Remarks	Choice	Step	Level	Cons	Qty	Rep. QTY
1		10108512		HOOK DRIVING SHAFT	FOR LH-3188-7					1	
2		B18025120A0A		BUSHING ASM., FRONT	EXCHANGI- NG GAUGE PARTS (SEE P.31)					1	
3	R	SS8151150SP	SS8151150TP	SCREW 15/64-28 L=10.5						3	1.00
4		B1816512000		HOOK DRIVING SHAFT, LARGE						2	
5		SS8660810TP		SCREW 1/4-40 L=8						4	
6		10112001		HOOK SHAFT GEAR, A	SELECTIVE PARTS					2	
7		SS8660530TP		SCREW 1/4-40 L= 4.5						7	
8		22609804		FEED DRIVING CAM						1	
9		22820666		THREAD CUTTER S- WING HOOK ASM.	FOR LH-3- 188-7 , JS					2	
10		B18035150A0		BUSHING ASM., INTERMEDIATE	EXCHANGI- NG GAUGE PARTS (SEE P.31)					1	
11		10108611		PLUNGER BUSHING	FOR LH-3188-7					1	
12		22615462		RUBBER BUSHING ASM.	OPTION PARTS					2	
13		SS7110710SP		SCREW 11/64-40 L=7						4	
14	D	10611457		THRUST COLLAR ASM.	FOR LH-3188-7					1	
15		SS7120760SP		SCREW 3/16-28 L=7.0						2	
16		GS1471012SH		THRUST COLLAR D=14.72 W=10	FOR LH-3188-7					1	
17		SS8660530TP		SCREW 1/4-40 L= 4.5	FOR LH-3188-7					2	
18		B9117563000		BOBBIN	FOR LH-3188					2	
19		22827158		HOOK ASM.	FOR LH-3188					2	
20		22813505		HOOK				*		2	
21		22827257		BOBBIN CASE ASM.				*		2	
22		22827406		SPRING(0.3)				*		2	
23		10110500		TENSION SPRING I- NSTALLING SCRE				*		2	
24		10110609		TENSION ADJUSTING SCREW				*		2	
25		22827208		BOBBIN CASE				*		2	
26		22827307		SPRING				*		2	
27		SS6560150SH		SCREW 3/32-80 L=1.3				*		2	
28		22827109		INNER HOOK (SHUTTLE)				*		2	
29		22813604		HOOK GIB				*		2	
30		10112803		SCREW				*		6	
31		22813703		NEEDLE POSITIONER				*		2	
32		22814008		SCREW				*		4	
33		22612501		LILYYARN				*		2	
34		10231603		BOBBIN	FOR LH-3188-7					2	
35		22819908		SPRING	FOR LH-3188-7					2	
36		22819809		SHEET	FOR LH-3188-7					2	
37		22831259		HOOK ASM.	FOR LH-3188-7					2	
38		22819502		HOOK				*		2	
39		22827257		BOBBIN CASE ASM.				*		2	
40		22827406		SPRING(0.3)				*		2	
41		10110500		TENSION SPRING I- NSTALLING SCRE				*		2	
42		10110609		TENSION ADJUSTING SCREW				*		2	
43		22827208		BOBBIN CASE				*		2	

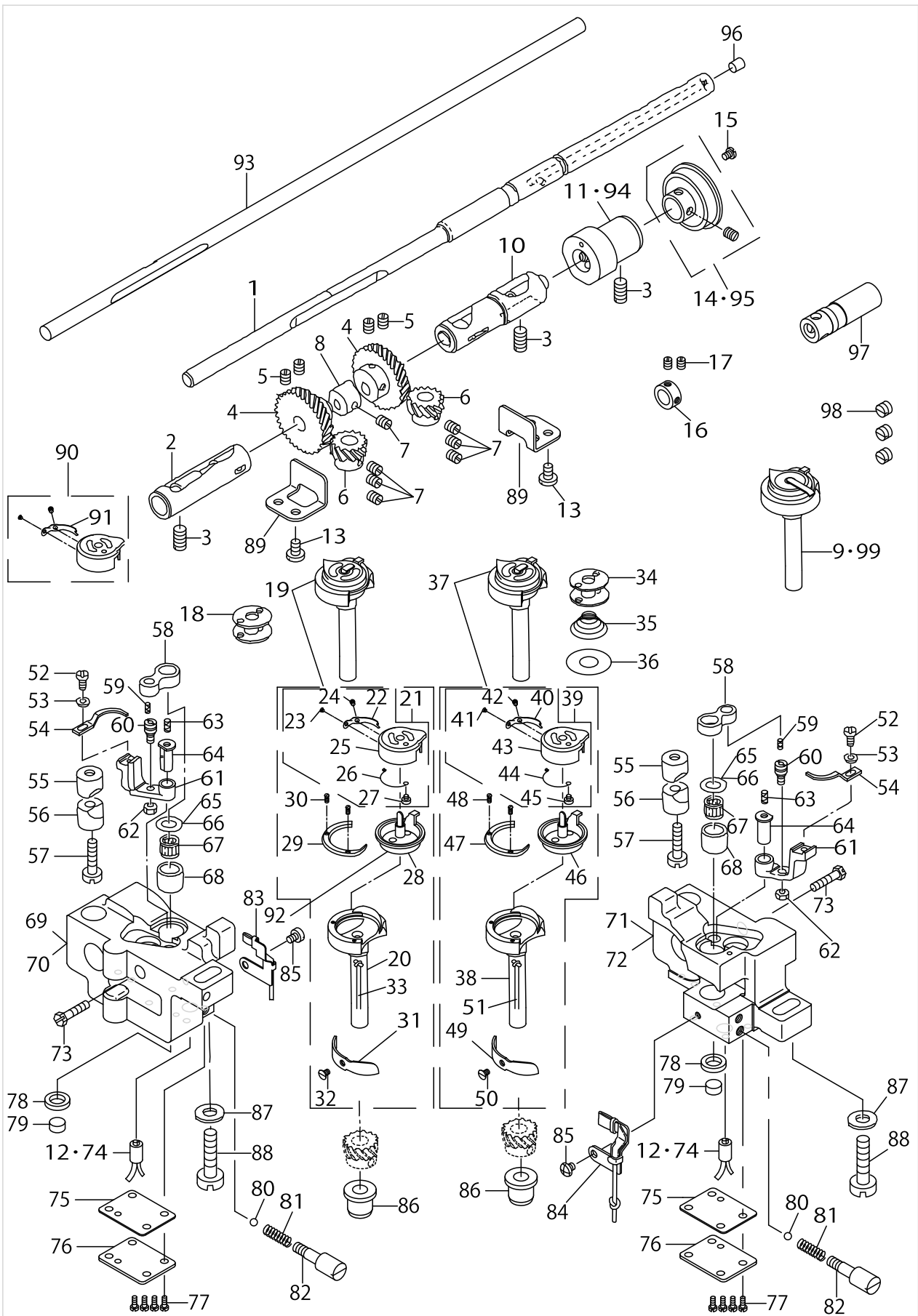
HOOK & HOOK DRIVING SHAFT COMPONENTS



HOOK & HOOK DRIVING SHAFT COMPONENTS

No.	Supply Code	Parts No.	Replacement	Parts name	Remarks	Choice	Step	Level	Cons	Qty	Rep. QTY
44		22827307		SPRING				*		2	
45		SS6560150SH		SCREW 3/32-80 L=1.3				*		2	
46		22819403		CAP HOOK				*		2	
47		22819304		HOOK GIB				*		2	
48		10112803		SCREW				*		6	
49		22813703		NEEDLE POSITIONER				*		2	
50		22814008		SCREW				*		4	
51		22612501		LILYYARN				*		2	
52		SS6090810SP		SCREW 9/64-40 L= 7.5						2	
53		WP0371016SD		WASHER 3.7X8X1						2	
54		22813208		BOBBIN CASE OPENING LEVER						2	
55		10109908		SADDLE INSTALLIN- G BLOCK, UPPER						2	
56		10112407		SADDLE INSTALLIN- G BLOCK, LOWER						2	
57		SS6153040SP		SCREW 15/64-28L=30						2	
58		22813000		BOBBIN CASE OPE- NING LEVER LINK						2	
59		CQ202000000		OIL WICK						.03	
60		B1821051000		CRANK SCREW STUD						2	
61		22813109		OPENING LEVER CRANK						2	
62		NS6110420SP		NUT 11/64-40						2	
63		CQ202000000		OIL WICK						.05	
64		B1823051000		OPENING LEVER CRANK PIN						2	
65		22614101		THRUST WASHER, B	SELECTIVE PARTS FOR LH-3188					2	
66		10111201		THRUST WASHER, F	SELECTIVE PARTS FOR LH-3188-7					2	
67		SB30953010A		NEEDLE BEARING 9.525X9.52	SELECTIVE PARTS					2	
68		22812952		BUSHING						2	
69		22812606		HOOK SHAFT SADDLE, LEFT	FOR LH-3188					1	
70		22819106		HOOK SHAFT SADDLE, LEFT	FOR LH-3188-7					1	
71		22812507		HOOK SHAFT SADDLE, RIGHT	FOR LH-3188					1	
72		22819007		HOOK SHAFT SADDLE, RIGHT	FOR LH-3188-7					1	
73	R	SS7111810SP	SS7111810TP	SCREW 11/64-40L=18						2	1.00
74		22615454		RUBBER BUSHING ASM.						2	
75		22615108		GASKET						2	
76		22615009		HOOK SHAFT SADDLE COVER						2	
77		SS4110815SP		SCREW 11/64-40 L=8						8	
78		22615306		FELT HOLDER						2	
79		22615207		FELT						2	
80		22615702		OIL ADJUSTING BALL						2	
81		D3171415B0H		PRESSER SPRING						2	
82		22615801		OIL ADJUSTING SCREW						2	
83		22615959		OIL WICK HOLDER ASM. LEFT						1	
84	D	22616254		OIL WICK HOLDER ASM. RIGHT						1	
85		SS4110515SP		SCREW 11/64-40 L=5						2	
86	R	22613400	40017056	HOOK DRIVING SHAFT BUSHING						2	1.00

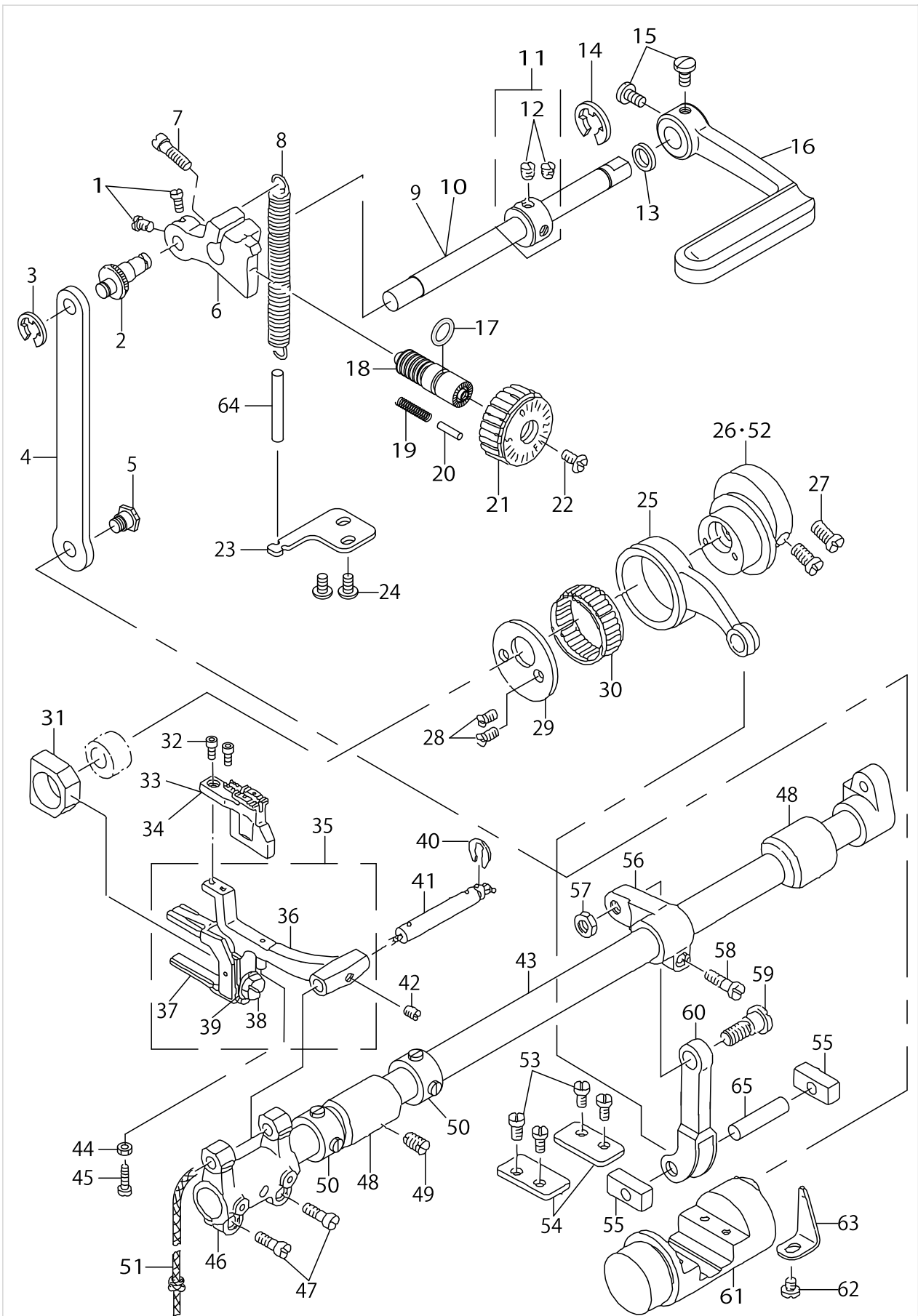
HOOK & HOOK DRIVING SHAFT COMPONENTS



HOOK & HOOK DRIVING SHAFT COMPONENTS

No.	Supply Code	Parts No.	Replacement	Parts name	Remarks	Choice	Step	Level	Cons	Qty	Rep. QTY
87		WP0850002SP		WASHER 8.5X18X1.6							2
88		SM6082502TP		SCREW M8 L=25							2
89		22613608		GEAR GUIDE							2
90		22827653		BOBBIN CASE ASM.	OPTION PARTS						1
91		22827505		TENSION SPRING				*			1
92		22827703		HOOK	OPTION PARTS						1
93		22623102		LOWER SHAFT B	FOR LH-3188						1
94		22611701		PLUNGERBUSHING,B	FOR LH-3188						1
95		22611651		THRUST COLLAR ASM., B	FOR LH-3188						1
96		TA0500601M0		PLUG D=5X5.4 L=6	FOR LH-3188-7						1
97		22611909		OIL PUMP SHAFT	FOR LH-3188						1
98		SS8660530TP		SCREW 1/4-40 L= 4.5	FOR LH-3188						3
99		22813455		HOOK ASM.	FOR LH-3188 , JS						2

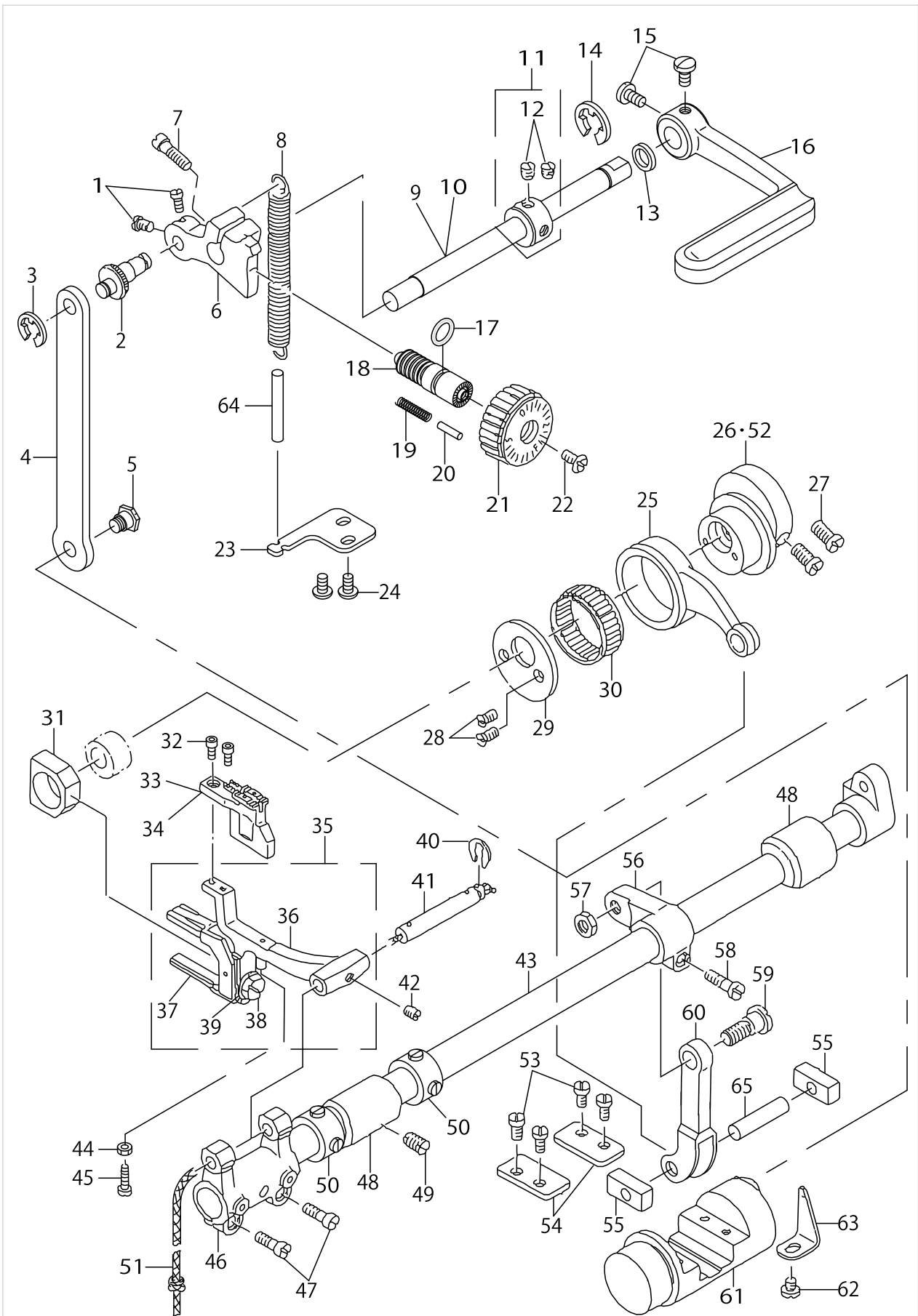
FEED MECHANISM COMPONENTS



FEED MECHANISM COMPONENTS

No.	Supply Code	Parts No.	Replacement	Parts name	Remarks	Choice	Step	Level	Cons	Qty	Rep. QTY
1		SS6090670TP		SCREW 9/64-40 L=6						2	
2		22610109		ROD PIN						1	
3		RE0500000K0		E-RING						1	
4		22610208		FEED REGULATOR CONNECTING ROD						1	
5		SD0800422CP		HINGE SCREW D= 8 H= 4.2						1	
6		22610000		FEED REGULATOR						1	
7	R	SS7121410SP	SS7121410TP	SCREW 3/16-28 L=14						1	1.00
8		22610307		FEED REGULATOR SPRING						1	
9		22610604		REVERSE FEED SHAFT						1	
10		22652101		REVERSE FEED SHAFT	FOR LH-3-188-7-WB, -OB					1	
11		GS102121ASH		THRUST COLLAR A-SM. D=10.2 W=12						1	
12		SS8660610TP		SCREW 1/4-40 L=6				*		2	
13		10108009		OIL SEAL						1	
14		RE0900000K0		E-RING 9						1	
15	R	SS7120910SP	SS7120910TP	SCREW 3/16-28 L=9						2	1.00
16	R	22610505	21388004	REVERSE FEED CONTROL LEVER						1	1.00
17		RO092270200		RUBBER RING						1	
18		22911804		FEED REGULATOR SCREW						1	
19		22912109		FEED REGULATOR PIN SPRING						1	
20		22912000		FEED REGULATOR PIN						1	
21		22911903		FEED DIAL						1	
22		SS6121860SP		SCREW 3/16-28 L=18						1	
23		22610406		SPRING BRACKET						1	
24		SS4110815SP		SCREW 11/64-40 L=8						2	
25		22609200		FEED ROCK SHAFT CONNECTING ROD						1	
26		22652002		FEED DRIVE ECCENTRIC CAM	FOR LH-3188-7					1	
27		SS6661110SP		SCREW 1/4-40 L=11						2	
28		SS7110710SP		SCREW 11/64-40 L=7						2	
29	D	22609101		CAM COVER						1	
30		B1636581B00		NEEDLE BEARING B						1	
31		B1610512000		FEED DRIVING SLIDE BLOCK						1	
32		SS6580752TP		SCREW 1/8-40 L=7						2	
33		22815609		FEED DOG(D=2.4) 1/4"(6.4MM)	EXCHANGI-NG GAUGE PARTS FOR LH-3188(S-E-E-P.27~31)					1	
34		22821409		FEED DOG(D=2.4) 1/4"	EXCHANGI-NG GAUGE PARTS FOR LH-3188-7-(SEE P.27~31)					1	
35	R	22609754	22609762	FEED BAR ASM.						1	1.00
36	R	22609705	22609762	FEED BAR				*		1	1.00
37	R	10107902	40039258	FEED BAR FORK		A	PLC-17*	*		1	1.00
37	R	10107902	21336060	FEED BAR FORK		B	LU-1510N-7 NA-7	*		1	1.00
37	R	10107902	21364252	FEED BAR FORK		C	LU-1560N N-7 LU-1565	*		1	1.00
37	R	10107902	21393459	FEED BAR FORK		D	LU-1520N-7	*		1	1.00

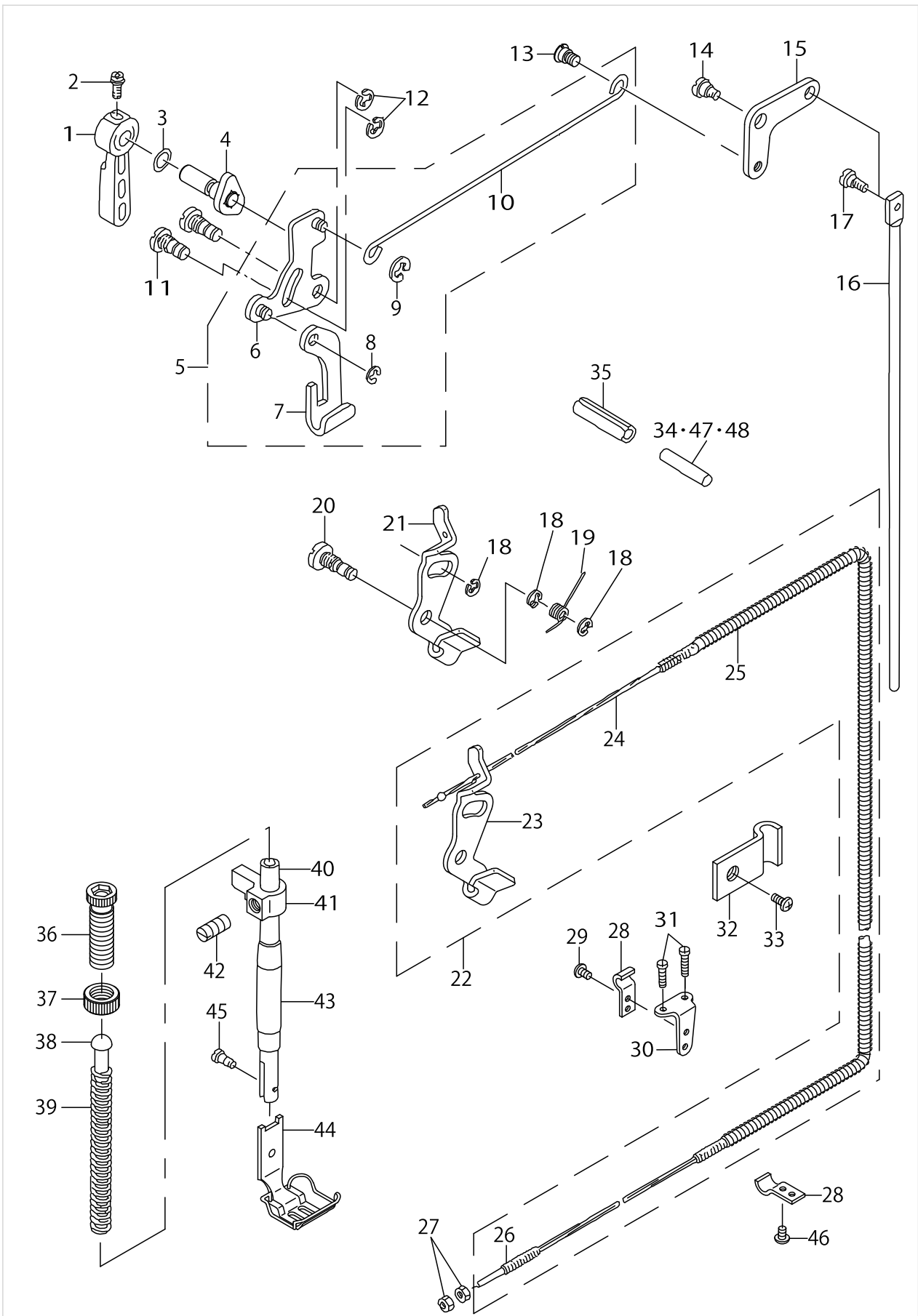
FEED MECHANISM COMPONENTS



FEED MECHANISM COMPONENTS

No.	Supply Code	Parts No.	Replacement	Parts name	Remarks	Choice	Step	Level	Cons	Qty	Rep. QTY
37	R	10107902	23003353	FEED BAR FORK		E	PLC-16*	*		1	1.00
37	R	10107902	21336052	FEED BAR FORK		G	LU-1510/1510-7	*		1	1.00
37	R	10107902	22609762	FEED BAR FORK				*		1	1.00
38		SS9151440CP		SCREW15/64-28L=14				*		1	
39		WP0621016SD		WASHER 6.2X13X1				*		1	
40		RE0500711KP		SNAP RING 5						1	
41		B1604012000A		FEED BAR SHAFT						1	
42		SM8050502TP		SCREW M5 L=5						1	
43		22609408		FEED ROCK SHAFT						1	
44		NS6080210SP		NUT 1/8-44						1	
45		SS6081810SP		SCREW 1/8-44 L=18.0						1	
46	R	B1603512000	21364104	FEED ROCKER						1	1.00
47		SS7111310TP		SCREW 11/64-40 L=12.8						2	
48		10106102		BUSHING						2	
49	R	SS8151150SP	SS8151150TP	SCREW 15/64-28 L=10.5						1	1.00
50		22904155		MAIN SHAFT THRU-ST COLLAR ASM.						2	
51		CQ252000000		OIL WICK						.26	
52	D	22609002		FEED DRIVE ECCENTRIC CAM, B	FOR LH-3188					1	
53	R	SS7110910SP	SS7110910TP	SCREW 11/64-40 L=8.5						4	1.00
54		10315505		PLATE						2	
55		22609606		FEED DRIVING ROCKER BLOCK, S						2	
56		22609309		FEED ROCKER SHAFT CRANK						1	
57		NS6680320SP		NUT 9/32-28						1	
58		SS6121610TP		SCREW 3/16-28 L=15.5						1	
59		SD0900701TP		HINGE SCREW D= 9 H= 7						1	
60		10315208		FEED ROCK CONNECTING ROD						1	
61		10315455		FEED DRIVING ROCKER ASM.						1	
62		SS7110510SP		SCREW 11/64-40 L=5						1	
63		B1633470000		STOPPER PLATE						1	
64		BT0500300EA		OIL TUBE						.09	
65	R	B1653470000	40032271	PIN						1	1.00

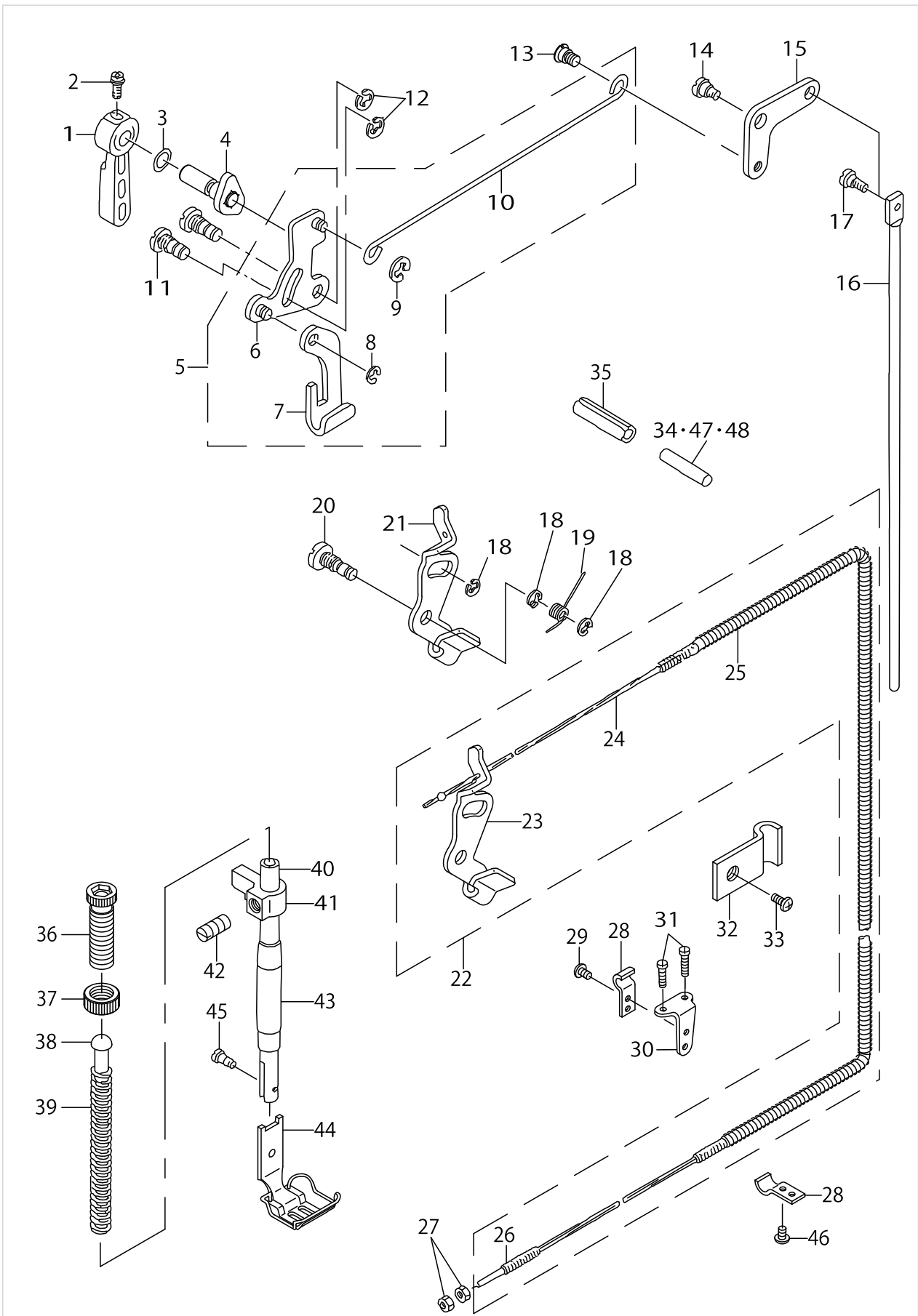
PRESSER BAR & TENSION RELEASE COMPONENTS



PRESSER BAR & TENSION RELEASE COMPONENTS

No.	Supply Code	Parts No.	Replacement	Parts name	Remarks	Choice	Step	Level	Cons	Qty	Rep. QTY
1		22907802		HAND LIFTER						1	
2		B1521555000		SCREW						1	
3		RO037180100		RUBBER RING						1	
4		22908552		HAND LIFTER CAM ASM.						1	
5		22608152		LIFTING LEVER ROD ASM.						1	
6	R	11006350	22908354	HAND LIFTER LINK				*		1	1.00
7	R	11006202	22908354	LIFTING LEVER		A	DDL-5550 5550N 555- ON-7 5556- N-7 5600NL-7	*		1	1.00
7	R	11006202	23609357	LIFTING LEVER		B	DDL-9000A 9000B	*		1	1.00
7	R	11006202	40057398	LIFTING LEVER		C	LH-3500	*		1	1.00
7	R	11006202	40174387	LIFTING LEVER		D	DDL-9000C	*		1	1.00
8		11007309		E-RING				*		1	
9		RE0500000K0		E-RING				*		1	
10		22608103		LIFTING LEVER CONNECTING ROD				*		1	
11		40034204		HAND LIFTER SCREW						2	
12		RE0500000K0		E-RING						2	
13		22908909		HINGE SCREW						1	
14		SD0720332SP		HINGE SCREW D= 7.24 H= 3.3						1	
15		22908800		KNEE LIFTER LINK						1	
16		10125201		CONNECTING ROD, VERTICAL						1	
17		SD0600322SD		HINGE SCREW D=6 H=3.2						1	
18		RE0500000K0		E-RING						3	
19		22920201		RETURN SPRING						1	
20	R	11018108	22920102	TENSION RELEASE SHAFT						1	1.00
21		22617104		TENSION RELEASE PLATE	FOR LH-3188					1	
22		22654958		TENSION RELEASE PLATE ASM.	FOR LH-3188-7					1	
23		22617104		TENSION RELEASE PLATE				*		1	
24		11394509		WIRE CABLE				*		1	
25		22654909		WIRE TUBE				*		1	
26		D3159555B00		SET SCREW				*		1	
27		NS6620310SP		NUT 3/16-32	FOR LH-3188-7					2	
28		D3164555B00		OUTER PRESSER PLATE	FOR LH-3188-7					2	
29		SS4110715SP		SCREW 11/64-40 L=7	FOR LH-3188-7					1	
30		D3163555B00A		FLEXIBLE TUBE SUPPORT PLATE	FOR LH-3188-7					1	
31		SS4111215SP		SCREW 11/64-40L=12	FOR LH-3188-7					2	
32		22620801		PIPE HOLDER	FOR LH-3188-7					1	
33		SS4111015SP		SCREW 11/64-40L=10	FOR LH-3188-7					1	
34		22617005		PUSH BAR	SELECTIVE PARTS					1	
35		PS0600502KP		SPRING PIN						1	
36	R	22907505	22907554	PRESSER SPRING REGULATOR						1	1.00
37	R	22907604	22907554	PRESSER SPRING REGULATOR NUT						1	1.00
38		22907703		PRESSER GUIDE BAR						1	
39		B1505227T00A		PRESSER SPRING T						1	
40		B1501581000		PRESSER BAR						1	
41		40017058		PRESSER BAR HOLDER						1	

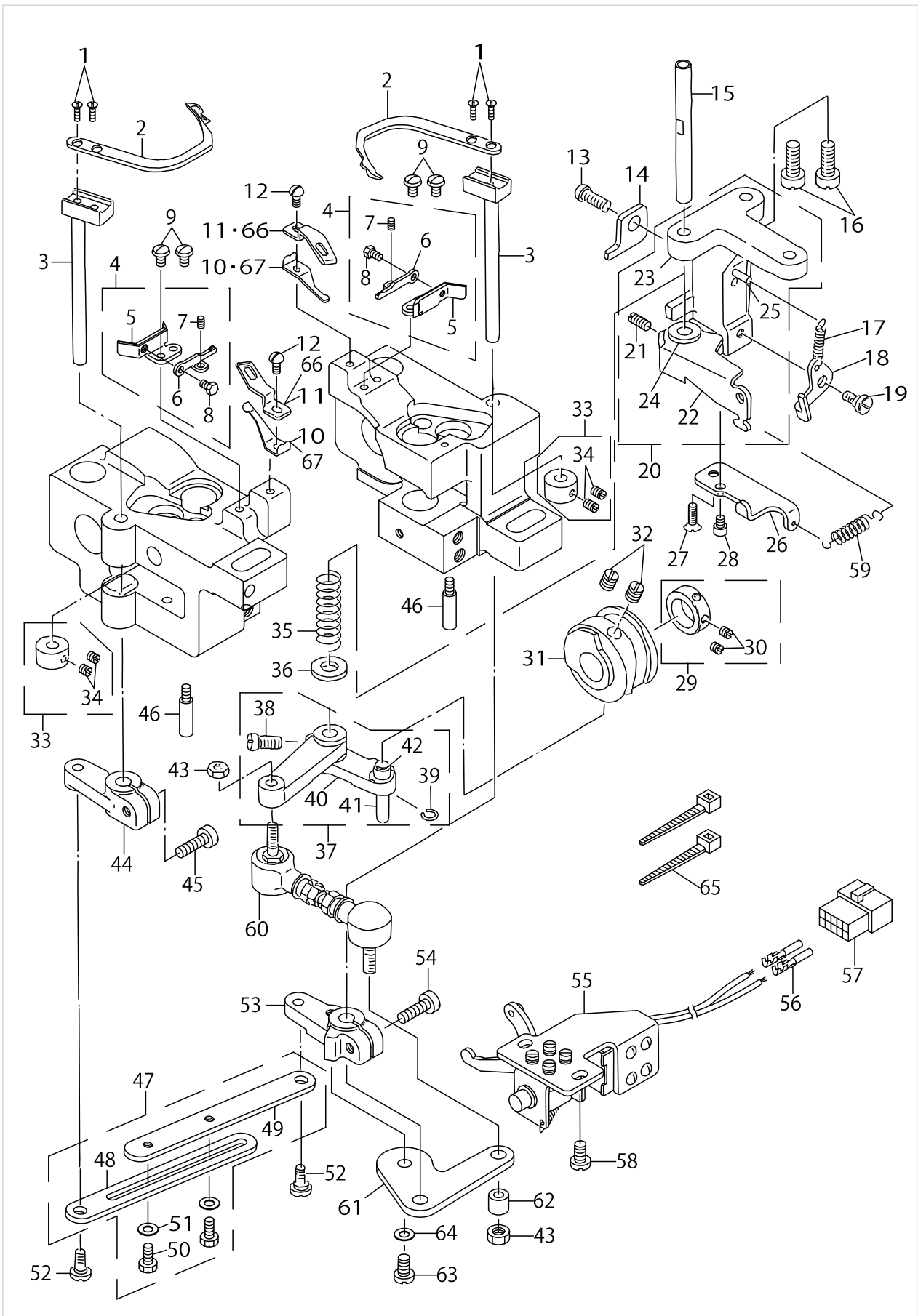
PRESSER BAR & TENSION RELEASE COMPONENTS



PRESSER BAR & TENSION RELEASE COMPONENTS

No.	Supply Code	Parts No.	Replacement	Parts name	Remarks	Choice	Step	Level	Cons	Qty	Rep. QTY
42		SS8660810TP		SCREW 1/4-40 L=8						1	
43		22907109		PRESSER BAR BUSHING, LOWER						1	
44		22816755		PRESSER FOOT ASM. 1/4	EXCHANGI- NG GAUGE PARTS (S- EEP.27~31)					1	
45		SS7090910TP		SCREW 9/64-40 L=8.5						1	
46		SS4110515SP		SCREW 11/64-40 L=5	FOR LH-3188-7					1	
47		40030133		PUSH BAR	SELECTIVE PARTS					1	
48		40039672		PUSH BAR	SELECTIVE PARTS					1	

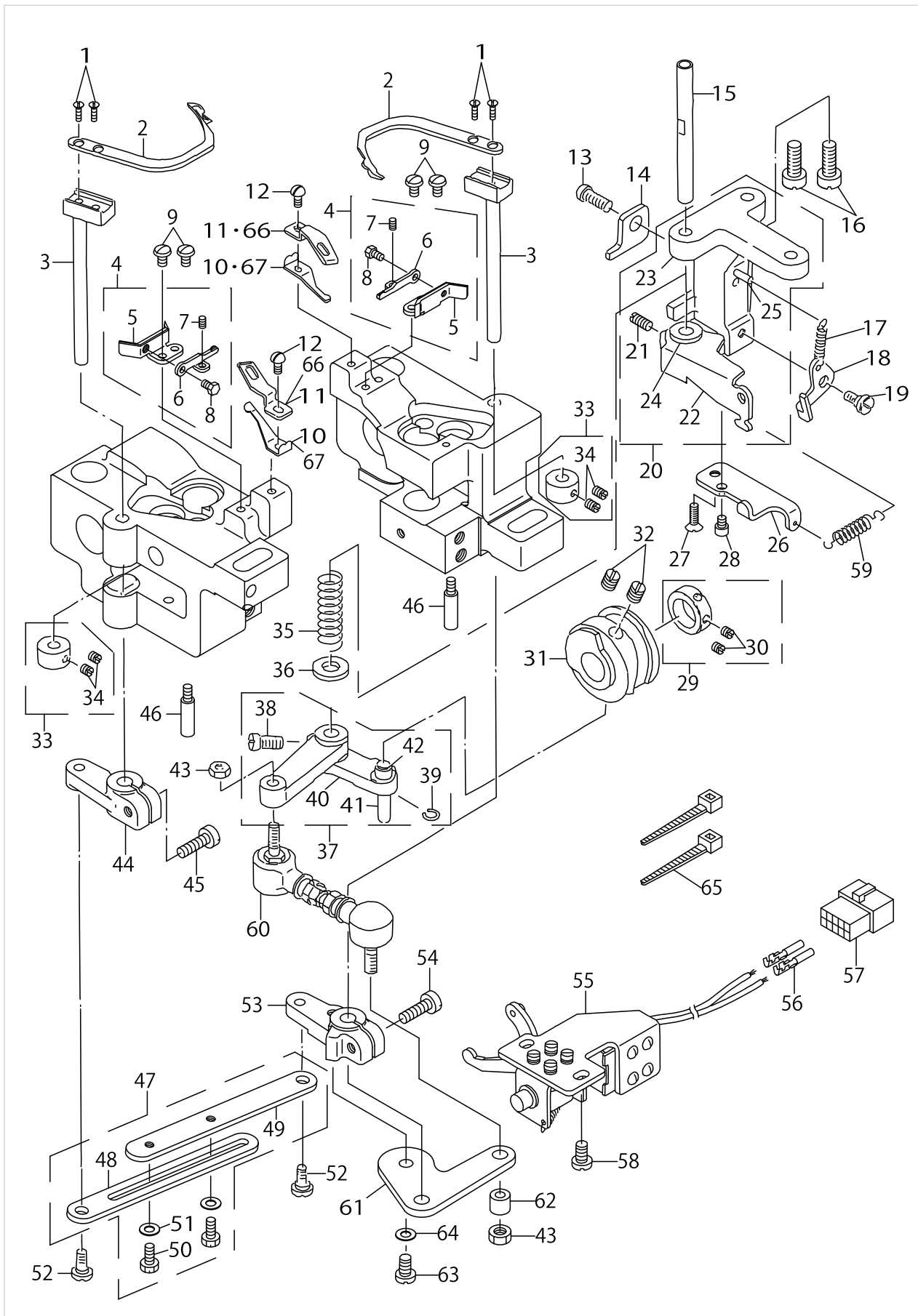
THREAD TRIMMER MECHANISM COMPONENTS (FOR LH-3188-7)



THREAD TRIMMER MECHANISM COMPONENTS (FOR LH-3188-7)

No.	Supply Code	Parts No.	Replacement	Parts name	Remarks	Choice	Step	Level	Cons	Qty	Rep. QTY
1		SS2080810SP		SCREW 1/8-44 L=7.5						4	
2		10211605		MOVING KNIFE						2	
3	D	10116051		MOVING KNIFE SHAFT ASM.						2	
4		22820153		MOVING KNIFE SUPPORT ASM. B						2	
5		22820104		MOVING KNIFE SUPPORT B				*		2	
6	D	10211407		THREAD PRESSER ADJUSTING PLATE				*		2	
7		SS8080610SP		SCREW 1/8-44 L=5.5				*		2	
8		SS9080410SP		SCREW 1/8-44 L=4.3				*		2	
9		SS5090610SP		SCREW 9/64-40 L=6						4	
10		22820203		THREAD PRESSER G	TYPE G					2	
11		22820302		COUNTER KNIFE G	TYPE G					2	
12		SS7090710SP		SCREW 9/64-40 L=6.8						2	
13		SS6121212TP		SCREW 3/16-28 L=12.0						1	
14		22654800		STOPPER, A						1	
15		10116804		SHAFT						1	
16		SS7151610SP		SCREW 15/64-28 L=16						2	
17		B3418180000		SPRING						1	
18	D	10117208		TENSION DISC RELEASE PLATE						1	
19		SD0600271SP		HINGE SCREW D=6 H=2.7						1	
20		22655153		LINK INSTALLING BASE ASM.						1	
21		SS8111010TP		SCREW 11/64-40 L=9.5				*		1	
22		22655104		TENSION DISC RELEASE ARM				*		1	
23		10116606		LINK INSTALLING BASE				*		1	
24		10117109		BUSHING				*		1	
25		PS0300201KP		SPRING PIN 3.0X20				*		1	
26		40012461		STOPPER PLATE						1	
27		SS2110920TP		SCREW 11/64-40 L=8.5						1	
28		SS6111052TP		SCREW						1	
29		CS1470710SH		THRUST COLLAR A-SM. D=14.72 W=7						1	
30		SS8110410TP		SCREW 11/64-40 L=3.5				*		2	
31	D	22654107		THREAD TRIMMER CAM						1	
32		SS8660810TP		SCREW 1/4-40 L=8						2	
33		CS070081BSH		THRUST COLLAR ASM. D=7 W=8						2	
34	R	SS8110510SP	SS8110520TP	SCREW 11/64-40 L=5				*		4	1.00
35		10116903		SPRING						1	
36		WP0753016SZ		WASHER 7.5X16.0X3.0						1	
37	D	10116754		CAM INSTALLING LINK ASM.						1	
38		SS6151220SP		SCREW 15/64-28 L=11.5				*		1	
39		D2430555B00		SNAP RING				*		1	
40	D	10116705		CAM INSTALLING LINK				*		1	
41	D	D2428555B00A		CAM ROLLER SHAFT				*		1	
42		D2427555B00B		CAM ROLLER				*		1	
43		NM6050001SP		NUT M5						2	
44	D	22654404		DRIVING ARM, LEFT						1	
45		SS6121610TP		SCREW 3/16-28 L=15.5						1	

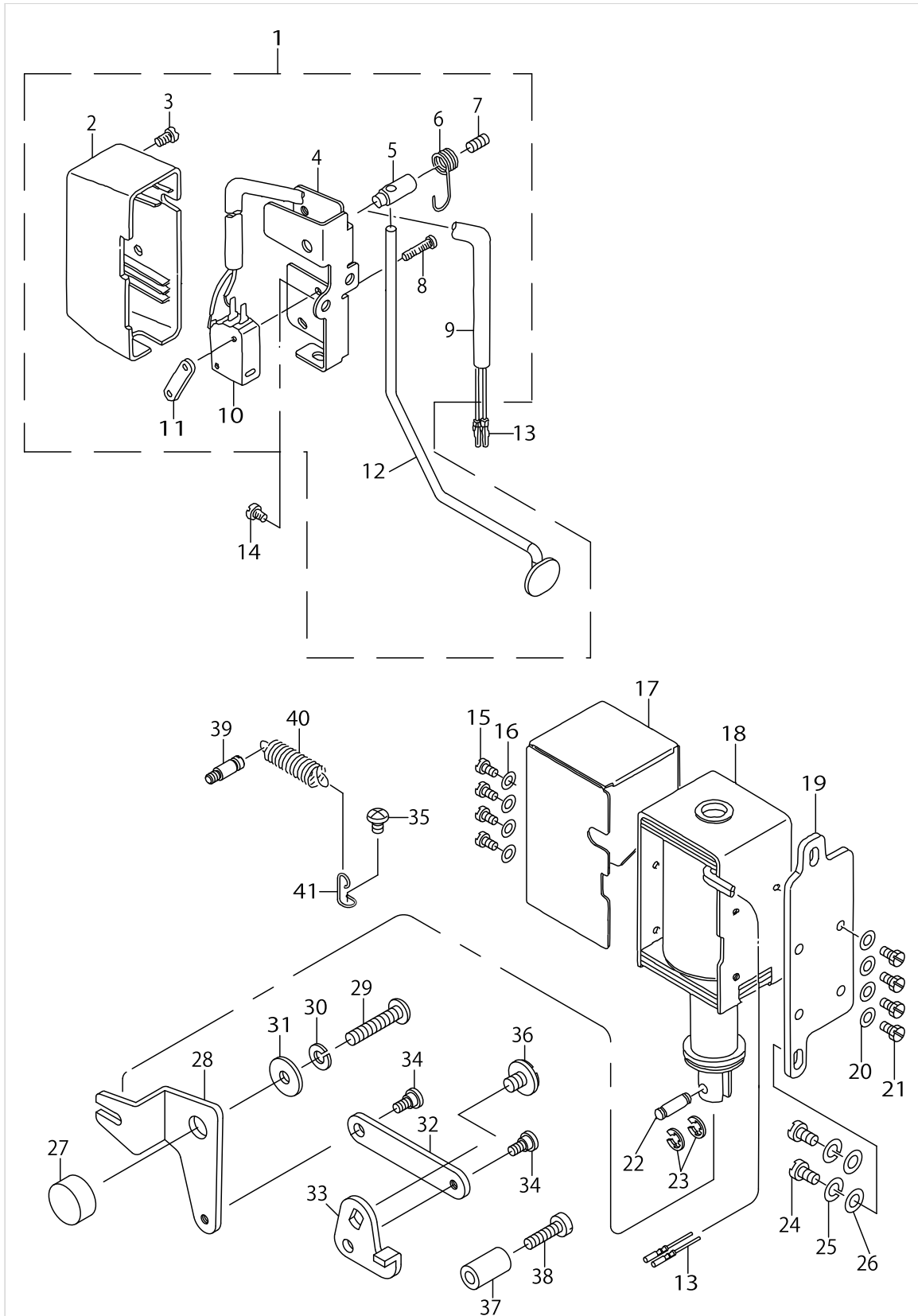
THREAD TRIMMER MECHANISM COMPONENTS (FOR LH-3188-7)



THREAD TRIMMER MECHANISM COMPONENTS (FOR LH-3188-7)

No.	Supply Code	Parts No.	Replacement	Parts name	Remarks	Choice	Step	Level	Cons	Qty	Rep. QTY
46		B1515051000		HAND LIFTER PIN						2	
47		22654552		CONNECTING LINK ASM.						1	
48		22654503		CONNECTING LINK, A				*		1	
49		22654602		CONNECTING LINK, B				*		1	
50		SS9111010SP		SCREW 11/64-40 L=9.5				*		2	
51		WP0501016SD		WASHER 5X10.5X1				*		2	
52		SD0650305TP		HINGE SCREW D= 6.5 H= 3						2	
53	D	22654305		DRIVING ARM, RIGHT						1	
54		SS6121610TP		SCREW 3/16-28 L=15.5						1	
55	D	10117851		SOLENOID ASM.						1	
56		HK03464000B		PIN CONTACT						2	
57		HK034610140		HOUSING 14P						1	
58		SS6151040SP		SCREW 15/64-28 L=10						2	
59		B3041980000		SPRING						1	
60		22655005		JOINT ROD						1	
61	D	22654008		DRIVING ARM PLATE						1	
62		B3417051000		REAR LIFTING BAR ROLLER						1	
63		SS6120940SP		SCREW 3/16-28 L=9						1	
64		WP0501016SD		WASHER 5X10.5X1						1	
65		EA9500B0100		CABLE BAND						2	
66		22655302		COUNTER KNIFE	TYPE S					2	
67		22655401		THREAD PRESSER	TYPE S					2	

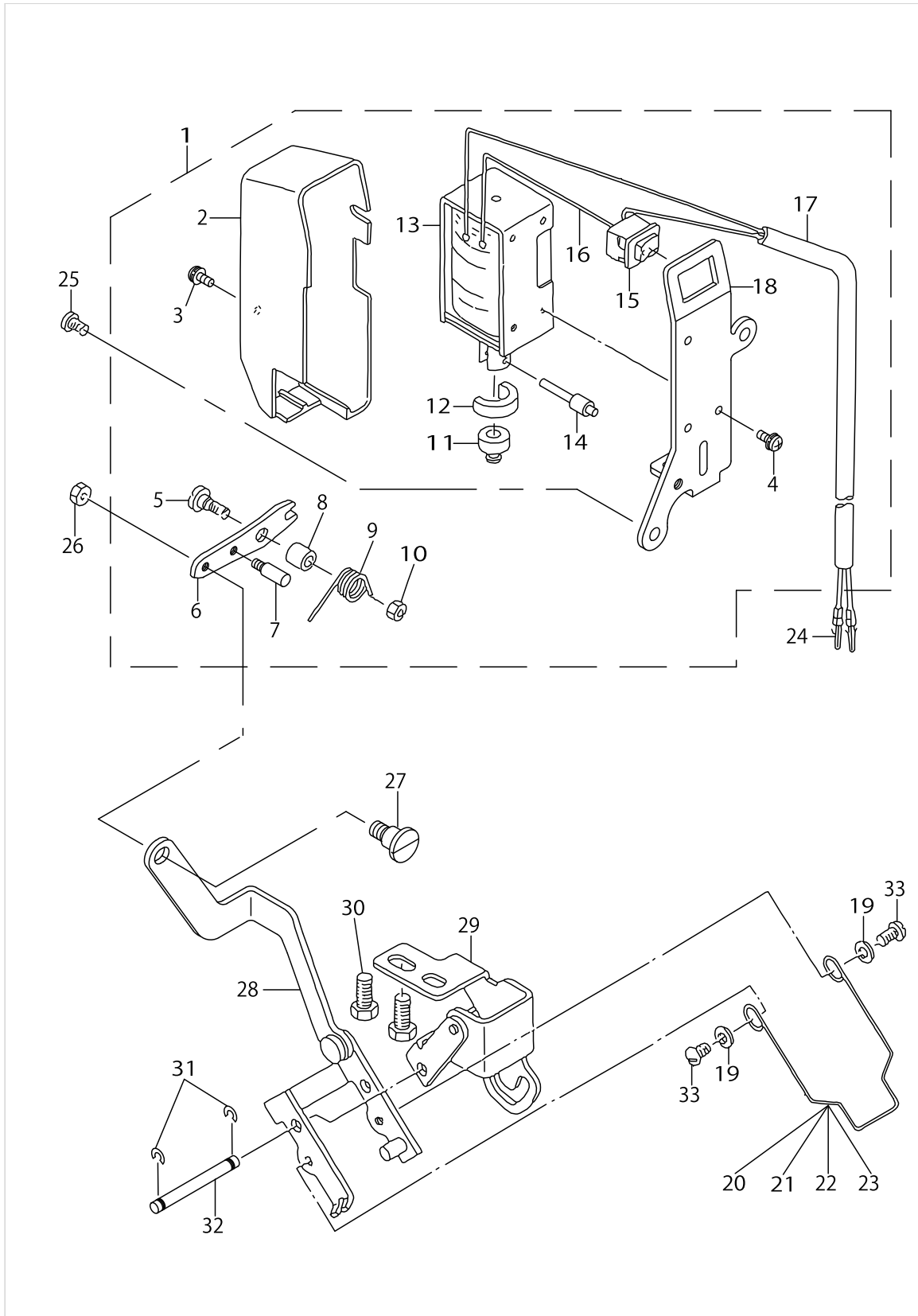
AUTOMATIC REVERSE FEED MECHANISM COMPONENTS (FOR LH-3168-7)



AUTOMATIC REVERSE FEED MECHANISM COMPONENTS (FOR LH-3168-7)

No.	Supply Code	Parts No.	Replacement	Parts name	Remarks	Choice	Step	Level	Cons	Qty	Rep. QTY
1		22656557		REVERSE FEED SWITCH ASM.						1	
2	R	11072501	22954606	REVERSE FEED SWITCH COVER				*		1	1.00
3		SM4040655SP		SCREW M4 L=6				*		1	
4		22656508		REVERSE FEED SWITCH BASE				*		1	
5	R	11102100	22954200	REVERSE FEED SWITCH SHAFT				*		1	1.00
6	R	11102209	22954309	REVERSE FEED SWITCH SPRING				*		1	1.00
7	R	SM8040802SP	SM8040802TP	SCREW M4X0.7 L=8				*		1	1.00
8		SM4031501SC		SCREW M3 L=15				*		2	
9		HW500070000		2-CORE CABTYRE CORD				*		1.4	
10		HA001900000		MICROSWITCH				*		1	
11	R	11102308	22954408	MICRO SWITCH PLATE				*		1	1.00
12		22656607		REVERSE FEED SWITCH LEVER				*		1	
13		HK03464000B		PIN CONTACT						4	
14		SS4120615SP		SCREW 3/16-28 L=6						2	
15		SS7110710SP		SCREW 11/64-40 L=7						4	
16		WP0501016SD		WASHER 5X10.5X1						4	
17		10161305		SOLENOID COVER						1	
18		10119105		REVERSE FEED SOLENOID, AC24V						1	
19		10119204		SOLENOID INSTALLING PLATE						1	
20		WP0501016SD		WASHER 5X10.5X1						4	
21		SS9111010SP		SCREW 11/64-40 L=9.5						4	
22		D2464555B00		LINK DRIVING MAGNET PIN						1	
23		RE0400000K0		E-RING 4						2	
24		SS7151210SP		SCREW 15/64-28 L=12						2	
25		WS0631510KP		SPRING WASHER						2	
26		WP0621016SD		WASHER 6.2X13X1						2	
27	D	22656409		LINK FULCULUM						1	
28		22656300		REVERSE FEED LINK, L						1	
29		SS4153015SP		PAN-SCREW 15/64-28 L=30						1	
30		WS0610002KP		SPRING WASHER						1	
31		WP0612056SD		WASHER 6.1X18.5X2						1	
32		22656201		REVERSE FEED LINK, (2)						1	
33		22656102		REVERSE FEED LINK, (1)						1	
34		SD0640321SP		HINGE SCREW D= 6.35 H= 3.2						2	
35		SS4120615SP		SCREW 3/16-28 L=6						1	
36		SS7120760SP		SCREW 3/16-28 L=7.0						1	
37		22952501		BACK LEVER STOPPER						1	
38		SS6121840SP		SCREW 3/16-28 L=18						1	
39		26226407		TENSION SPRING HOOK						1	
40		26226209		SPRING						1	
41		22656003		SPRINGSUSPENSION						1	

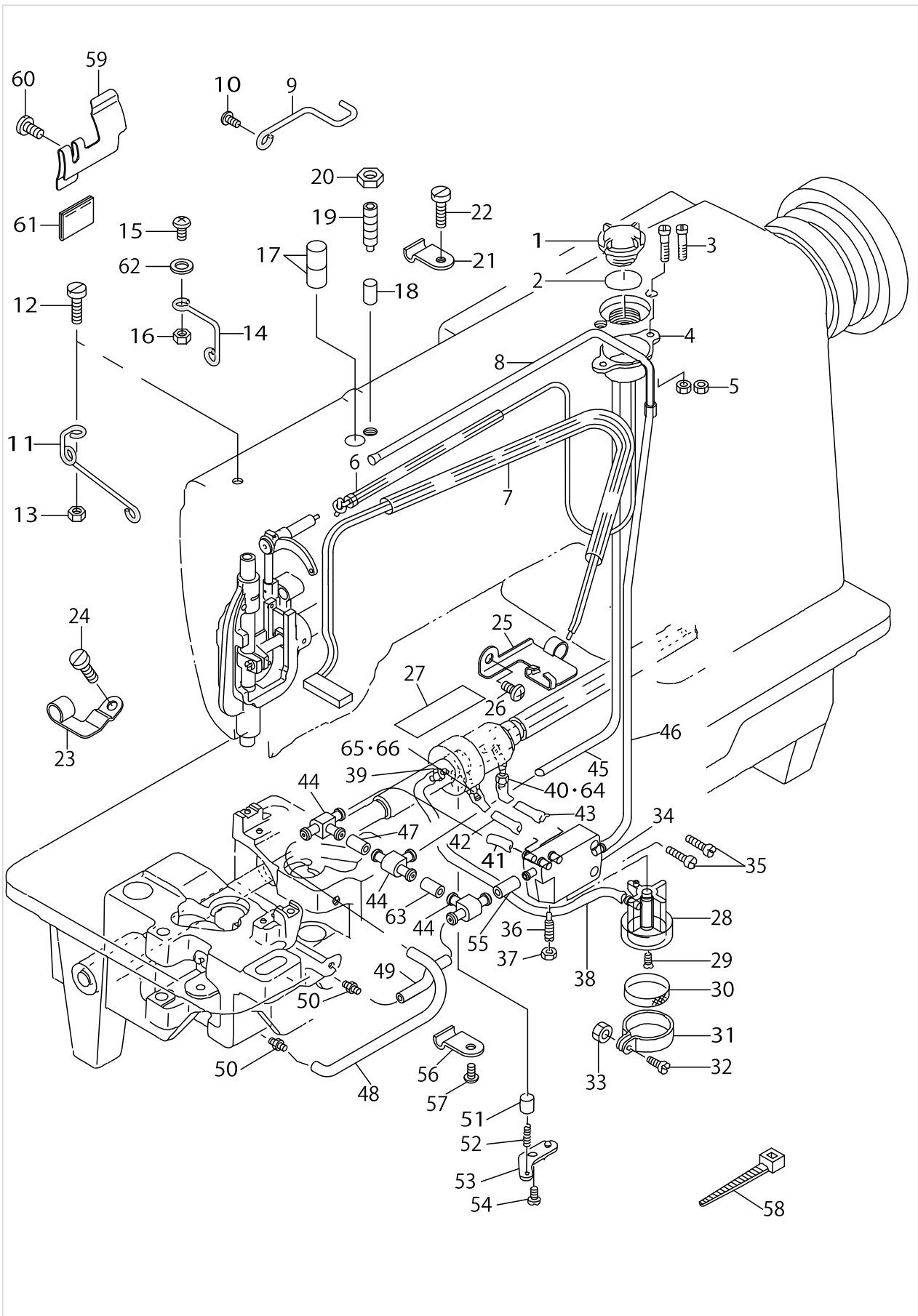
WIPER MECHANISM COMPONENTS (FOR LH-3188-7)



WIPER MECHANISM COMPONENTS (FOR LH-3188-7)

No.	Supply Code	Parts No.	Replacement	Parts name	Remarks	Choice	Step	Level	Cons	Qty	Rep. QTY
1		22657159		WIPER SOLENOID ASM.						1	
2	R	11072709	22955504	WIPER COVER				*		1	1.00
3		SL4030891SC		SCREW M3X8				*		1	
4		SL4030891SC		SCREW M3X8				*		3	
5		SD0650321TP		HINGE SCREW D=6.5 H=3.2				*		1	
6		22657209		WIPER LINK, A				*		1	
7		40009196		SUSPENSION SCREW				*		1	
8	R	11110707	22956205	WIPER HINGE SCREW COLLAR				*		1	1.00
9		22657308		WIPER SPRING				*		1	
10		NS6110310SP		NUT 11/64-40				*		1	
11	R	11110400	22955900	WIPER RUBBER A				*		1	1.00
12	R	11110509	22956007	WIPER RUBBER B				*		1	1.00
13	R	11110301	40106936	WIPER SOLENOID				*		1	1.00
14		22957104		WIPER SOLENOID SHAFT				*		1	
15		HA000590000		POWER SWITCH				*		1	
16		HW200390000		ELECTRIC WIRE				*		0.04	
17		HW500070000		2-CORE CABTYRE CORD				*		1.4	
18	D	22657100		WIPER SOLENOID BASE				*		1	
19		WP0371016SD		WASHER 3.7X8X1						2	
20		10209203		WIPER 3/32"-3/8	SELECTIVE PARTS					1	
21		10209500		WIPER	SELECTIVE PARTS					1	
22		10209807		WIPER	SELECTIVE PARTS					1	
23		10209906		WIPER	SELECTIVE PARTS					1	
24		HK03464000B		PIN CONTACT						2	
25		SS4120615SP		SCREW 3/16-28 L=6						2	
26		NS6090310SP		NUT 9/64-40						1	
27		SD0500301SP		HINGE SCREW D= 5 H= 3						1	
28		22657050		WIPER LINK ASM., 2						1	
29		10208551		WIPER BASE ASM.						1	
30		SS9111010SP		SCREW 11/64-40 L=9.5						2	
31		RE0320000K0		E-RING 3.2						2	
32		10208700		WIPER LINK SHAFT						1	
33		SS3090520SP		SCREW 9/64-40 L=4.5						2	

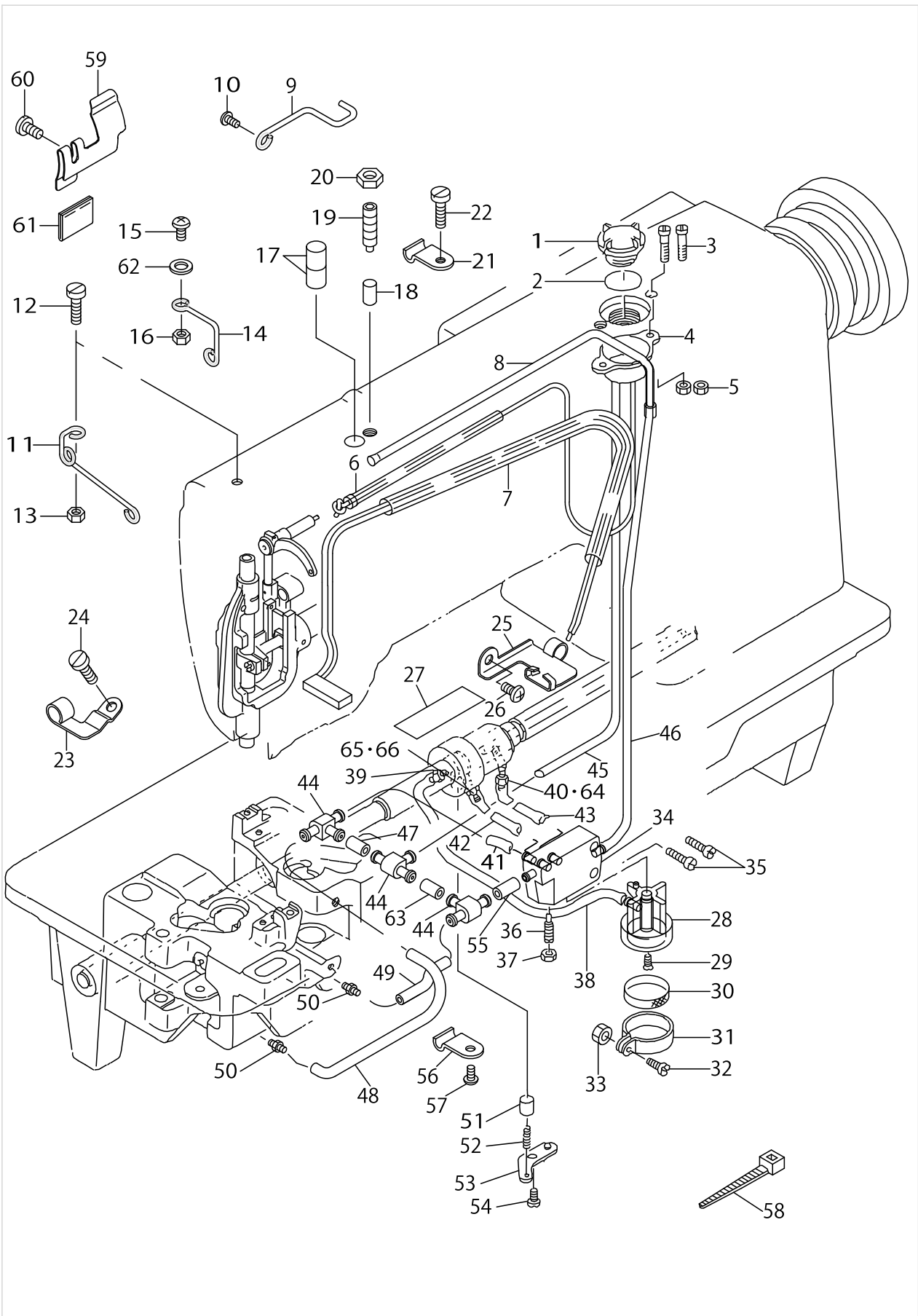
LUBRICATION COMPONENTS



LUBRICATION COMPONENTS

No.	Supply Code	Parts No.	Replacement	Parts name	Remarks	Choice	Step	Level	Cons	Qty	Rep. QTY
1		22924708		OIL SIGHT WINDOW						1	
2		RO195240100		RUBBER RING						1	
3		SS4111815SP		SCREW 11/64 L=18						2	
4		10216703		OIL TANK						1	
5		NS6110310SN		NUT 11/64-40						2	
6		22620355		OIL PIPE ASM.						1	
7		22620454		FELT ASM.						1	
8		22620702		OIL TUBE						1	
9	D	22620108		PIPE HOLDER, B						1	
10		SS4110715SP		SCREW 11/64-40 L=7						1	
11	R	22619209	40017055	OIL WICK GUIDE						1	1.00
12		SS6121610TP		SCREW 3/16-28 L=15.5						1	
13		NS6120310SP		NUT 3/16-28						1	
14		22620504		OIL WICK HOLDER						1	
15		SS4111215SP		SCREW11/64-40L=12						1	
16		NS6110420SP		NUT 11/64-40						1	
17		B3517009000		OIL FELT REAR						2	
18	D	22619415		OIL ADJUSTING SHAFT						1	
19		SS8701782TP		SCREW 5/16-24 L=17.0						1	
20		NS6700420SP		NUT 5/16-24						1	
21		22620801		PIPE HOLDER						1	
22		SS6111610SP		SCREW11/64-40L=16						1	
23		40012577		PIPE HOLDER						1	
24		SS4110615SP		SCREW 11/64-40 L=6						1	
25	D	22619803		VILENE HOLDER						1	
26		SS4110715SP		SCREW 11/64-40 L=7						1	
27		22619605		VILENE						1	
28	D	22619001		SUCTION						1	
29		SS2110930SP		SCREW 11/64-40 L=8.7						1	
30		B1851512000		FILTER SCREEN						1	
31	R	B1850512000	40009379	BUSHING HOLDER						1	1.00
32		SS7090710SP		SCREW9/64-40L=6.8						1	
33		NS6090310SP		NUT 9/64-40						1	
34		10623403		BASE						1	
35		SS6111610SP		SCREW11/64-40L=16						2	
36		B1834512000A		OIL ADJUSTING SCREW						1	
37		NS6110310SP		NUT 11/64-40						1	
38		23630007		TUBE						.12	
39		SQ1150451MZ		CONNECTING SCREW						1	
40		SQ1110401MZ		CONNECTING SCREW	FOR LH-3188-7					1	
41		23630007		TUBE						.05	
42		23630007		TUBE						.08	
43		23630007		TUBE						.09	
44		13765607		OIL CONNEC. ARM						3	
45		23630007		TUBE						.51	
46		23630007		TUBE						.4	

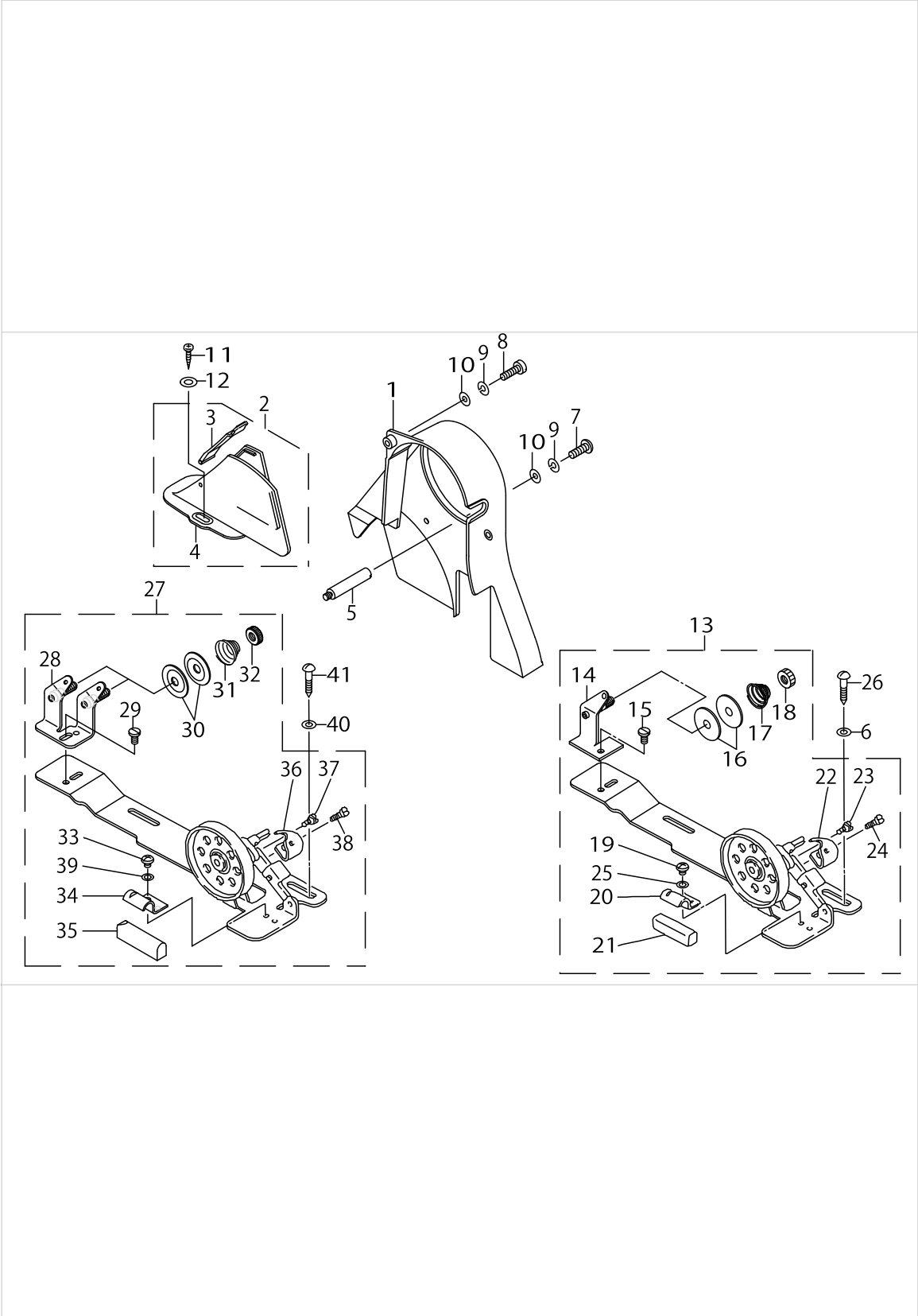
LUBRICATION COMPONENTS



LUBRICATION COMPONENTS

No.	Supply Code	Parts No.	Replacement	Parts name	Remarks	Choice	Step	Level	Cons	Qty	Rep. QTY
47		23630007		TUBE						.02	
48		23630007		TUBE						.21	
49		23630007		TUBE						.15	
50		SQ1110401MZ		CONNECTING SCREW						2	
51		B3534155000		PLUNGER						1	
52		B1214038000		PLUNGER SPRING						1	
53		B3524552000		PLUNGER THRUST PLATE						1	
54		SS4110815SP		SCREW 11/64-40 L=8						1	
55		23630007		TUBE						.02	
56		B3538112000		OIL RETURN TUBE HOLDER						1	
57		SS4110815SP		SCREW 11/64-40 L=8						1	
58		EA9500B0100		CABLE BAND						3	
59		23204803		LUBRICATING GUIDE						1	
60		SS7090610SP		SCREW 9/64-40 L=6						1	
61	D	22686455		NEEDLE BAR						1	
62		B3534012000		GASKET						1	
63		23630007		TUBE						.02	
64		22619704		OILING JOINT	FOR LH-3188					1	
65		22619704		OILING JOINT	FOR LH-3188-7					1	
66		SQ1110401MZ		CONNECTING SCREW	FOR LH-3188					1	

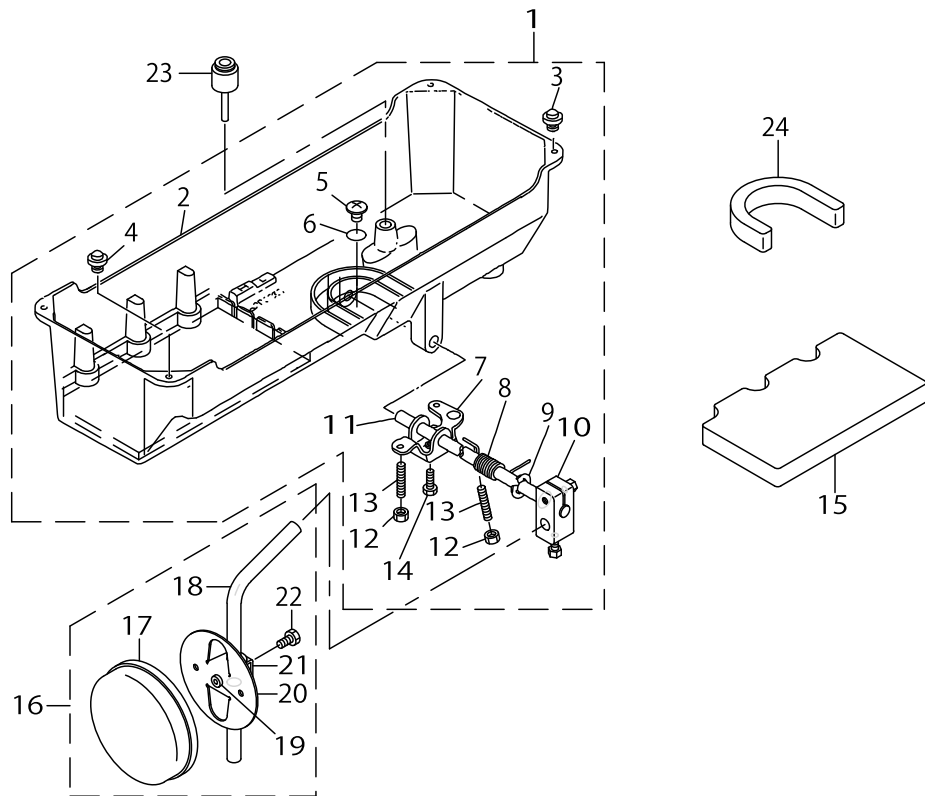
BELT COVER & BOBBIN WINDER COMPONENTS



BELT COVER & BOBBIN WINDER COMPONENTS

No.	Supply Code	Parts No.	Replacement	Parts name	Remarks	Choice	Step	Level	Cons	Qty	Rep. QTY
1	D	22603401		BELT COVER A ASM.						1	
2	R	11076858	22933659	BELT COVER B ASM.						1	1.00
3	R	11076957	22933659	BELT COVER B CAP ASM.				*		1	1.00
4	R	11076809	22933659	BELT COVER B				*		1	1.00
5		B8233555000		BELT COVER SUPPORT STUD						2	
6		WP0501016SC		WASHER 5X10.5X1						2	
7		SS4111215SP		SCREW 11/64-40L=12						2	
8		SS6121610TP		SCREW 3/16-28 L=15.5						1	
9		WS0451040KP		SPRING WASHER 4.5X8.5X1						3	
10		WP0501016SD		WASHER 5X10.5X1						3	
11	R	SK3412000SC	SK3412000SE	WOOD SCREW D=4.1 L=20						2	1.00
12		WP0501016SC		WASHER 5X10.5X1						2	
13		11415866		BOBBIN WINDER COMPL						1	
14		11078250		THREAD TENSION BRACKET ASM.				*		1	
15		SS7110840SP		SCREW 11/64-40 L=7.8				*		1	
16	R	B3126012000	22921506	THREAD TENSION DISK				*		2	1.00
17	R	B3129012B00	22929004	THREAD TENSION SPRING				*		1	1.00
18	R	B3125012000	22928808	THREAD TENSION NUT				*		1	1.00
19		SS4110515SP		SCREW 11/64-40 L=5				*		1	
20		11078102		PRESSER PLATE				*		1	
21		B3211555000		RUBBER BRAKE				*		1	
22		11415908		POSITIONING FINGER				*		1	
23		SD0490261SP		HINGE SCREW D=4.9 H=2.6				*		1	
24		SS7081310SP		SCREW 1/8-44 L=12.5				*		1	
25		WP0480856SP		WASHER 4.8X8.4X0.8				*		1	
26	R	SK3482500SC	SK3482501SE	WOOD SCREW D=4.8 L=25						2	1.00
27		22837553		BOBBIN DEVICE	FOR JE					1	
28		22621056		TENSION BAR BASE				*		1	
29		SS7110840SP		SCREW 11/64-40 L=7.8				*		1	
30	R	22928907	22921506	THREAD TENSION DISK				*		4	1.00
31		22929004		THREAD TENSION SPRING				*		2	
32		22928808		NUT				*		2	
33		SS4110515SP		SCREW 11/64-40 L=5				*		1	
34	D	22928402		CONTROL RUBBER HOLDING PLATE				*		1	
35		22928303		CONTROL RUBBER				*		1	
36		22837504		BOBBIN PRESSER				*		1	
37		SD0490261SP		HINGE SCREW D=4.9 H=2.6				*		1	
38		SS7081310SP		SCREW 1/8-44 L=12.5				*		1	
39		WP0480856SP		WASHER 4.8X8.4X0.8				*		1	
40		WP0501016SC		WASHER 5X10.5X1						2	
41	R	SK3482500SC	SK3482501SE	WOOD SCREW D=4.8 L=25						2	1.00

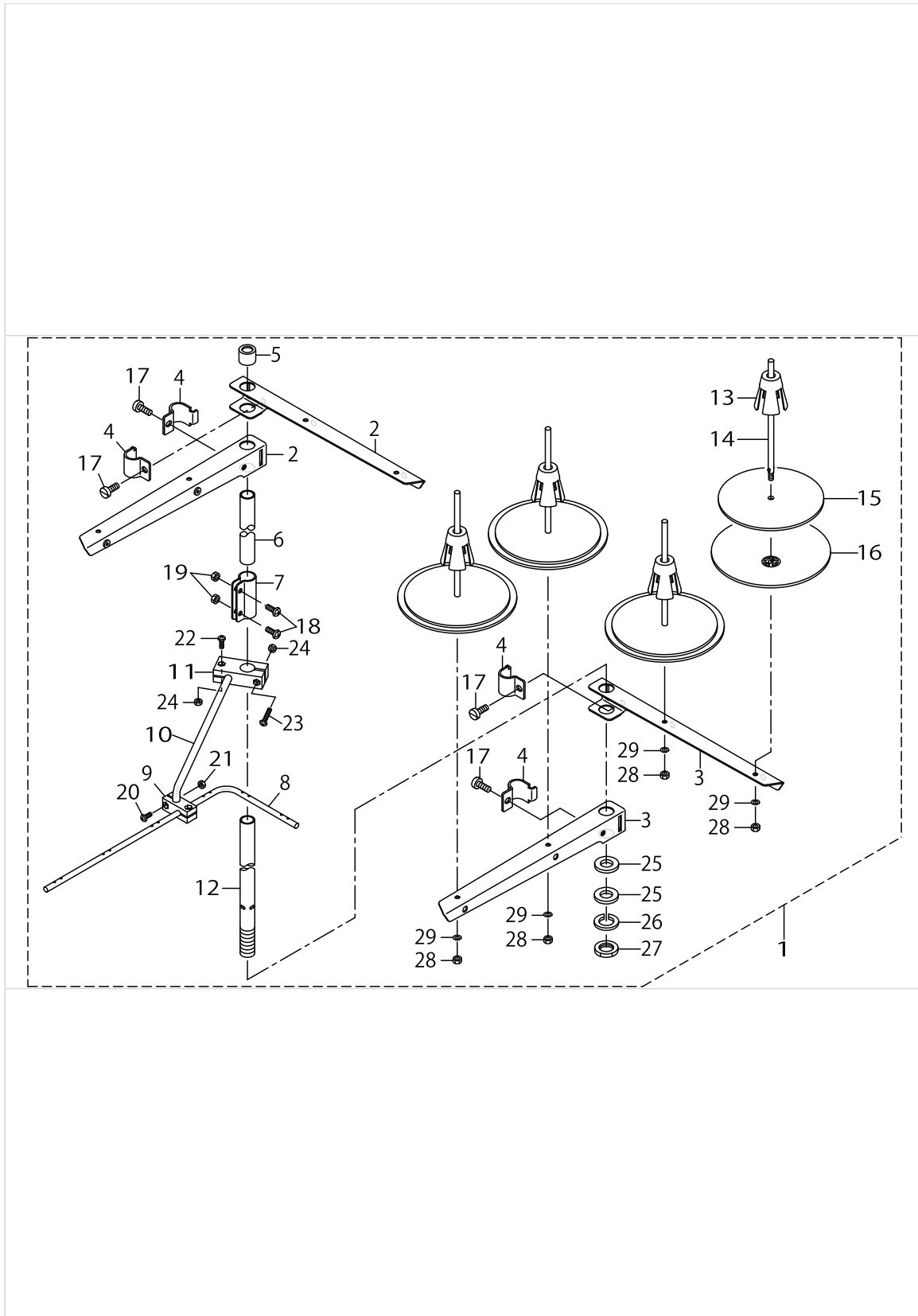
OIL RESERVOIR & KNEE LIFTER COMPONENTS



OIL RESERVOIR & KNEE LIFTER COMPONENTS

No.	Supply Code	Parts No.	Replacement	Parts name	Remarks	Choice	Step	Level	Cons	Qty	Rep. QTY
1		10162253		OIL RESERVOIR ASM.						1	
2	R	10162204	10162253	OIL RESERVOIR				*		1	1.00
3		10162600		RUBBER CUSHION				*		2	
4		11047107		RUBBER CUSHION				*		2	
5		SM0081001SD		SCREW				*		1	
6		RO098240100		RUBBER RING				*		1	
7	R	11024015	22932156	CONNECTING ROT, VERTICAL				*		1	1.00
8	R	11024106	22932206	SPRING				*		1	1.00
9		RE1000000K0		E-RING 10				*		1	
10		22932453		BRACKET ASM.				*		1	
11	R	11024205	22932305	KNEE PRESS ROD				*		1	1.00
12		NM6060001SE		NUT M6				*		2	
13		SM8063012TR		SCREW M6 L=30				*		2	
14		SM9061853SR		SCREW M6 L=17.5				*		1	
15		22622104		OIL RESERVOIR SPACER, B						1	
16		22934251		KNEE PAD PLATE ASM.						1	
17		22934509		KNEE PAD PLATE COVER				*		1	
18		22934608		KNEE PAD UPRIGHT SHAFT				*		1	
19		22934400		KNEE PAD PLATE RUBBER				*		1	
20		22934202		KNEE PAD PLATE				*		1	
21		22934301		KNEE PAD PLATE SUPPORT				*		1	
22		SM9061203SE		SCREW M6 L=12				*		1	
23	R	11024304	22931703	KNEE PRESS LIFTER ROD						1	1.00
24		22622005		OIL RESERVOIR SPACER, A						1	

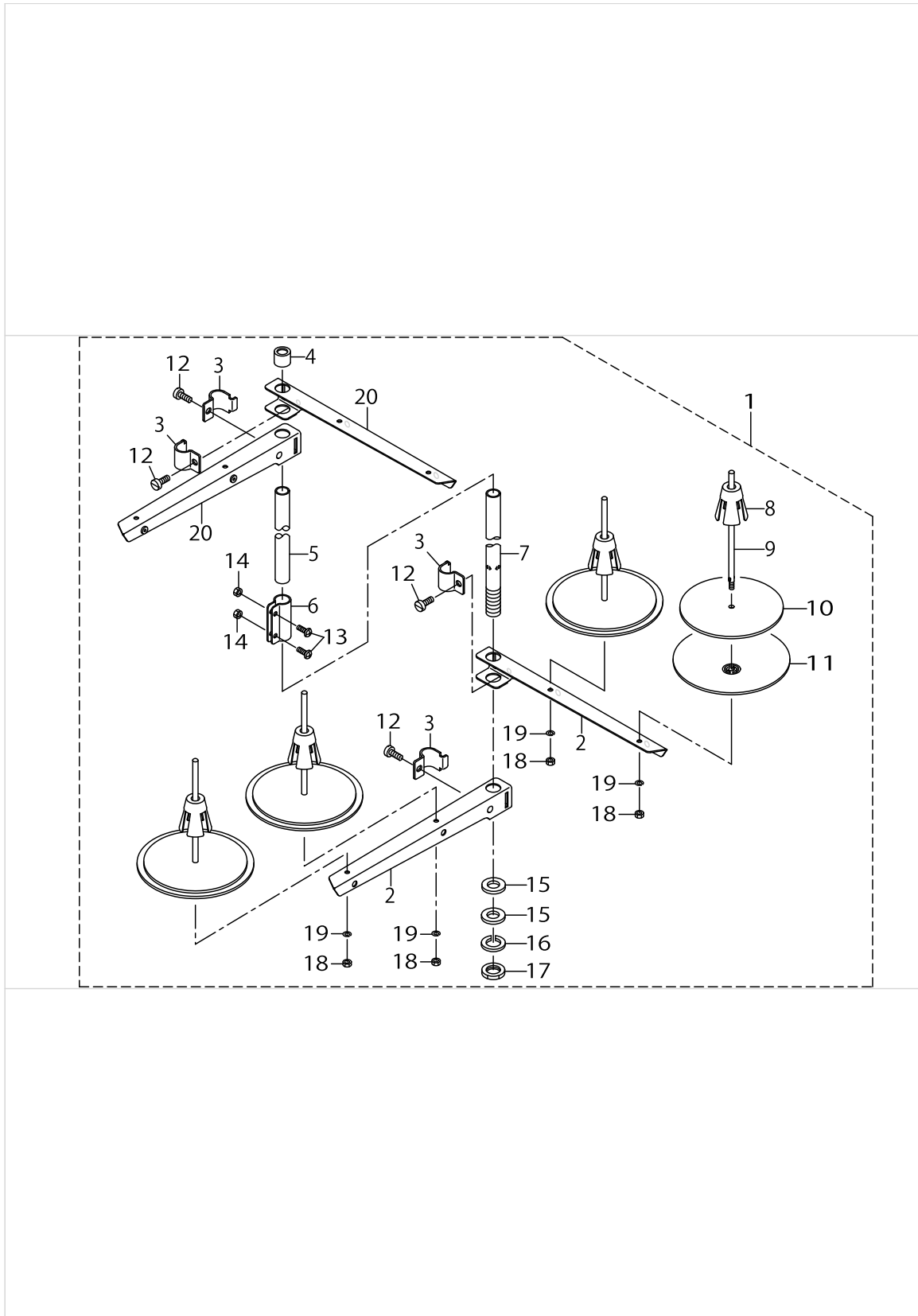
THREAD STAND COMPONENTS (1)



THREAD STAND COMPONENTS (1)

No.	Supply Code	Parts No.	Replacement	Parts name	Remarks	Choice	Step	Level	Cons	Qty	Rep. QTY
1	R	13167556	40106584	THREAD STANDING DEVICE ASM.						1	1.00
2	R	22930556	40096354	SPOOL REST ARM ASM.				*		2	1.00
3	R	22930507	40096354	SPOOL REST ARM				*		2	1.00
4	R	22930705	40096354	THREAD GUIDE ARM JOINT				*		4	1.00
5		22931406		THREAD STANDING ROD RUBBER CAP				*		1	
6	R	22930408	40096354	THREAD STANDING ROD, UPPER				*		1	1.00
7	R	22931307	40096354	THREAD STANDING ROD JOINT				*		1	1.00
8	R	13167903	26910059	THREAD STANDING THREAD GUIDE				*		1	1.00
9	D R	13168000	26910059	THREAD STANDING GUIDE BASE				*		1	1.00
10	R	13168109	26910059	THREAD STANDING GUIDE ARM				*		1	1.00
11	R	13168208	26910059	THREAD STANDING GUIDE ARM BASE				*		1	1.00
12	R	22930309	40096354	THREAD STANDING ROD, LOWER				*		1	1.00
13	R	22931109	40085791	SPOOL RETAINER				*		4	1.00
14	R	22931000	40085790	SPOOL PIN				*		4	1.00
15		22930903		SPOOL REST CUSHION				*		4	
16		22930804		SPOOL REST				*		4	
17		SM6061610SC		SCREW M6 L=16				*		4	
18		SM4051405SE		SCREW M5 L=14				*		2	
19		NM6050001SE		NUT M5				*		2	
20		SM4041001SC		SCREW M4X0.7 L=10				*		2	
21		NM6040002SE		NUT M4X0.7				*		2	
22		SM4041201SC		SCREW M4 L=12				*		1	
23		SM4042001SC		SCREW M4 X 20				*		1	
24		NM6040002SE		NUT M4X0.7				*		2	
25		WP1612616SE		WASHER 16X30X2.6				*		2	
26	R	WS1643202KR	WP1612616SE	SPRING WASHER		A		*		1	2.00
26	R	WS1643202KR	40085796	SPRING WASHER		A		*		1	2.00
27		NM6160511SE		NUT M16X1.5				*		1	
28		NM6050001SE		NUT M5				*		4	
29		WS0510002KN		SPRING WASHER				*		4	

THREAD STAND COMPONENTS (2) (FOR JH, JS)



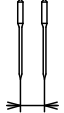
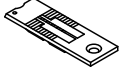
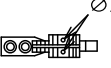
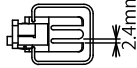
THREAD STAND COMPONENTS (2) (FOR JH, JS)

No.	Supply Code	Parts No.	Replacement	Parts name	Remarks	Choice	Step	Level	Cons	Qty	Rep. QTY
1		26910158		THREAD STANDING DEVICE ASM.						1	
2	R	22930507	40096354	SPOOL REST ARM				*		2	1.00
3	R	22930705	40096354	THREAD GUIDE ARM JOINT				*		4	1.00
4		22931406		SPOOL REST ROD RUBBER CAP				*		1	
5	R	22930408	40096354	SPOOL REST ROD, UPPER				*		1	1.00
6	R	22931307	40096354	SPOOL REST ROD JOINT				*		1	1.00
7	R	22930309	40096354	SPOOL REST ROD, LOWER				*		1	1.00
8	R	22931109	40085791	SPOOL RETAINER				*		4	1.00
9	R	22931000	40085790	SPOOL PIN				*		4	1.00
10		22930903		SPOOL REST CUSHION				*		4	
11		22930804		SPOOL REST				*		4	
12		SM6061610SC		SCREW M6 L=16				*		4	
13		SM4051405SE		SCREW M5 L=14				*		2	
14		NM6050001SE		NUT M5				*		2	
15		WP1612616SE		WASHER 16X30X2.6				*		2	
16	R	WS1643202KR	WP1612616SE	SPRING WASHER		A		*		1	2.00
16	R	WS1643202KR	40085796	SPRING WASHER		A		*		1	2.00
17		NM6160511SE		NUT M16X1.5				*		1	
18		NM6050001SE		NUT M5				*		4	
19		WS0510002KN		SPRING WASHER				*		4	
20	R	22930556	40096354	THREAD STANDING ARM ASM.				*		2	1.00

TABLE OF EXCHANGING GAUGE PARTS (1)

LH-3188用

★・・・Standard spec. 標準仕様

Needle gauge size 針 幅		Throat plate 針 板		Feed Dog 送 り 歯		Presser Foot asm. 押 さ え(組)		
Code コード								
	inch	mm	Ref.No.	Part No.	Ref.No.	Part No.	Ref.No.	Part No.
B	1/8	3.2						
C	5/32	4.0						
D	3/16	4.8	1	226-25305	8	228-15401	15	228-16557
E	7/32	5.6	2	226-25404	9	228-15500	16	228-16656
F	1/4	6.4	3	226-25503	10	228-15609	17	228-16755
G	9/32	7.1	4	226-25602	11	228-15708	18	228-16854
H	5/16	7.9	5	226-25701	12	228-15807	19	228-16953
K	3/8	9.5	6	226-25800	13	228-15906	20	228-17050
L	1/2	12.7	7	226-26006	14	228-16003	21	228-17159
M	5/8	15.9						
N	3/4	19.1						
Q	1	25.4						
Stitch spec. 縫 仕 様	S		Spec.common 仕様共通		★		★	
	A							
	G							

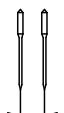
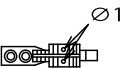
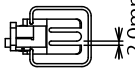
Needle gauge size 針 幅		Feed dog (with Thread Trimmer) 送 り 歯(糸切付)		Presser Foot asm. 押 さ え(組)		
Code コード						
	inch	mm	Ref.No.	Part No.	Ref.No.	Part No.
A	3/32	2.4				
B	1/8	3.2	22	226-30107	40	102-22255
C	5/32	4.0	23	226-30206	41	102-22354
D	3/16	4.8	24	226-30404	42	226-40353
E	7/32	5.6	25	226-30503	43	226-40452
F	1/4	6.4	26	226-30602	44	101-52957
G	9/32	7.1	27	226-30800	45	226-40759
H	5/16	7.9	28	226-30909	46	226-40858
K	3/8	9.5	29	226-31006	47	226-40957
W	7/16	11.1	30	226-31105		
L	1/2	12.7	31	226-31303	48	226-41252
M	5/8	15.9	32	226-31402	49	226-41351
N	3/4	19.1	33	226-31501	50	226-41450
P	7/8	22.2	34	226-31709		
Q	1	25.4	35	226-31808	51	226-41757
R	1 1/8	28.6	36	226-31907		
S	1 1/4	31.8	37	226-32004		
T	1 3/8	34.9	38	226-32103		
U	1 1/2	38.1	39	226-32202		
Stitch spec. 縫 仕 様	S		★		★	
	G					

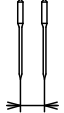
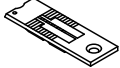
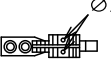
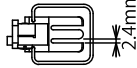
TABLE OF EXCHANGING GAUGE PARTS (1)

No.	Supply Code	Parts No.	Replacement	Parts name	Remarks	Choice	Step	Level	Cons	Qty	Rep. QTY
1		22625305		THROAT PLATE 3/16" (4.8MM)						1	
2		22625404		THROAT PLATE 7/32" (5.6MM)						1	
3		22625503		THROAT PLATE 1/4						1	
4		22625602		THROAT PLATE 9/32" (7.1MM)						1	
5		22625701		THROAT PLATE 5/16" (7.9MM)						1	
6		22625800		THROAT PLATE 3/8" (9.5MM)						1	
7		22626006		THROAT PLATE 1/2" (12.7MM)						1	
8		22815401		FEED DOG D=2.4 3/16 (4.8M)						1	
9	D	22815500		FEED DOG D=2.4 7/32 (5.6M)						1	
10		22815609		FEED DOG(D=2.4) 1/4"(6.4MM)						1	
11		22815708		FEED DOG D=2.4 9/32 (7.1M)						1	
12		22815807		FEED DOG D=2.4 5/16 (7.9M)						1	
13		22815906		FEED DOG 3/8 D=2.4						1	
14		22816003		FEED DOG 1/2 D=2.4						1	
15		22816557		TIP-DIVIDED PRESSER ASM. 3/16						1	
16		22816656		TIP-DIVIDED PRESSER ASM. 7/32						1	
17		22816755		PRESSER FOOT ASM. 1/4						1	
18		22816854		TIP-DIVIDED PRESSER ASM. 9/32						1	
19		22816953		TIP-DIVIDED PRESSER ASM. 5/16						1	
20		22817050		PRESSER FOOT ASM. D=2.4 (3/8)						1	
21		22817159		PRESSER FOOT ASM. D=2.4 (1/2)						1	
22		22630107		FEED DOG 1/8" (3.2MM)						1	
23		22630206		FEED DOG 5/32" (4.0MM)						1	
24		22630404		FEED DOG 3/16" (4.8MM)						1	
25		22630503		FEED DOG 7/32" (5.6MM)						1	
26		22630602		FEED DOG 1/4						1	
27		22630800		FEED DOG 9/32" (7.1MM)						1	
28		22630909		FEED DOG 5/16" (7.9MM)						1	
29		22631006		FEED DOG 3/8" (9.5MM)						1	
30		22631105		FEED DOG 7/16" (11.1MM)						1	
31		22631303		FEED DOG 1/2" (12.7MM)						1	
32		22631402		FEED DOG 5/8" (15.9MM)						1	
33		22631501		FEED DOG 3/4" (19.1MM)						1	
34		22631709		FEED DOG 7/8" (2.2MM)						1	
35		22631808		FEEDDOG1"(25.4MM)						1	
36		22631907		FEED DOG 1.1/8" (28.6MM)						1	
37		22632004		FEED DOG 1.1/4" (31.4MM)						1	
38		22632103		FEED DOG 1.3/8" (34.9MM)						1	
39		22632202		FEED DOG 1.1/2" (38.1MM)						1	
40		10222255		PRESSER FOOT ASM. 1/8						1	
41		10222354		PRESSER FOOT ASM. 5/32						1	
42		22640353		PRESSER FOOT ASM.						1	
43		22640452		PRESSER FOOT ASM.						1	
44		10152957		PRESSER FOOT ASM. 1/4						1	
45		22640759		PRESSER FOOT ASM.						1	
46		22640858		PRESSER FOOT ASM.						1	

TABLE OF EXCHANGING GAUGE PARTS (1)

LH-3188用

★・・・Standard spec. 標準仕様

Needle gauge size 針 幅		Throat plate 針 板		Feed Dog 送 り 歯		Presser Foot asm. 押 さ え(組)		
Code コード								
	inch	mm	Ref.No.	Part No.	Ref.No.	Part No.	Ref.No.	Part No.
B	1/8	3.2						
C	5/32	4.0						
D	3/16	4.8	1	226-25305	8	228-15401	15	228-16557
E	7/32	5.6	2	226-25404	9	228-15500	16	228-16656
F	1/4	6.4	3	226-25503	10	228-15609	17	228-16755
G	9/32	7.1	4	226-25602	11	228-15708	18	228-16854
H	5/16	7.9	5	226-25701	12	228-15807	19	228-16953
K	3/8	9.5	6	226-25800	13	228-15906	20	228-17050
L	1/2	12.7	7	226-26006	14	228-16003	21	228-17159
M	5/8	15.9						
N	3/4	19.1						
Q	1	25.4						
Stitch spec. 縫 仕 様	S		Spec.common 仕様共通		★		★	
	A							
	G							

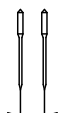
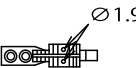
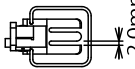
Needle gauge size 針 幅		Feed dog (with Thread Trimmer) 送 り 歯(糸切付)		Presser Foot asm. 押 さ え(組)		
Code コード						
	inch	mm	Ref.No.	Part No.	Ref.No.	Part No.
A	3/32	2.4				
B	1/8	3.2	22	226-30107	40	102-22255
C	5/32	4.0	23	226-30206	41	102-22354
D	3/16	4.8	24	226-30404	42	226-40353
E	7/32	5.6	25	226-30503	43	226-40452
F	1/4	6.4	26	226-30602	44	101-52957
G	9/32	7.1	27	226-30800	45	226-40759
H	5/16	7.9	28	226-30909	46	226-40858
K	3/8	9.5	29	226-31006	47	226-40957
W	7/16	11.1	30	226-31105		
L	1/2	12.7	31	226-31303	48	226-41252
M	5/8	15.9	32	226-31402	49	226-41351
N	3/4	19.1	33	226-31501	50	226-41450
P	7/8	22.2	34	226-31709		
Q	1	25.4	35	226-31808	51	226-41757
R	1 1/8	28.6	36	226-31907		
S	1 1/4	31.8	37	226-32004		
T	1 3/8	34.9	38	226-32103		
U	1 1/2	38.1	39	226-32202		
Stitch spec. 縫 仕 様	S		★		★	
	G					

TABLE OF EXCHANGING GAUGE PARTS (1)

No.	Supply Code	Parts No.	Replacement	Parts name	Remarks	Choice	Step	Level	Cons	Qty	Rep. QTY
47		22640957		PRESSER FOOT ASM.						1	
48		22641252		PRESSER FOOT ASM.						1	
49		22641351		PRESSER FOOT ASM.						1	
50		22641450		PRESSER FOOT ASM.						1	
51		22641757		PRESSER FOOT ASM.						1	

TABLE OF EXCHANGING GAUGE PARTS (2)

LH-3188-7用										★ . . . Standard spec. 標準仕様	
Needle gauge size 針 幅		Throat plate (with Thread Trimmer) 針板(糸切付)		Feed Dog (with Thread Trimmer) 送り歯(糸切付)		Needle clamp asm.Left 針 留(組)左		Needle clamp asm.Right 針 留(組)右			
Code コード											
	inch	mm	Ref.No.	Part No.	Ref.No.	Part No.	Ref.No.	Part No.	Ref.No.	Part No.	
B	1/8	3.2									
C	5/32	4.0									
D	3/16	4.8	1	226-60401	8	228-21201	15	B1402-528-DAL-A	22	B1402-528-DAR-A	
E	7/32	5.6	2	226-60500	9	228-21300	16	B1402-528-EAL	23	B1402-528-EAR	
F	1/4	6.4	3	226-60609	10	228-21409	17	B1402-528-FAL-A	24	B1402-528-FAR-A	
G	9/32	7.1	4	226-60708	11	228-21508	18	B1402-528-GAL	25	B1402-528-GAR	
H	5/16	7.9	5	226-60807	12	228-21607	19	B1402-528-HAL-A	26	B1402-528-HAR-A	
K	3/8	9.5	6	226-60906	13	228-21706	20	B1402-528-KAL-A	27	B1402-528-KAR-A	
L	1/2	12.7	7	226-61102	14	228-21805	21	B1402-528-LAL	28	B1402-528-LAR	
M	5/8	15.9									
N	3/4	19.1									
Q	1	25.4									
Stitch spec. 縫 仕 様	S		Spec.common 仕様共通		★		Spec.common 仕様共通				
	A										
	G										

Needle gauge size 針 幅		Feed dog 送り歯		Presser Foot asm. 押さえ(組)				
Code コード								
	inch	mm	Ref.No.	Part No.	Ref.No.	Part No.	Ref.No.	Part No.
A	3/32	2.4						
B	1/8	3.2	29	226-65103	45	102-22255		
C	5/32	4.0	30	102-37907	46	102-22354		
D	3/16	4.8	31	102-38004	47	226-40353	57	228-16557
E	7/32	5.6	32	102-38103	48	226-40452	58	228-16656
F	1/4	6.4	33	102-38202	49	101-52957	59	228-16755
G	9/32	7.1	34	102-38301	50	226-40759	60	228-16854
H	5/16	7.9	35	102-38400	51	226-40858	61	228-16953
K	3/8	9.5	36	102-38509	52	226-40957	62	228-17050
W	7/16	11.1	37	101-68300				
L	1/2	12.7	38	101-38707	53	226-41252	63	228-17159
M	5/8	15.9	39	102-38806	54	226-41351		
N	3/4	19.1	40	102-38905	55	226-41450		
P	7/8	22.2	41	101-68706				
Q	1	25.4	42	102-39002	56	226-41757		
R	1 1/8	28.6	43	101-68904				
S	1 1/4	31.8	44	101-69001				
T	1 3/8	34.9						
U	1 1/2	38.1						
Stitch spec. 縫 仕 様	S		★		★		★	
	G							

TABLE OF EXCHANGING GAUGE PARTS (2)

No.	Supply Code	Parts No.	Replacement	Parts name	Remarks	Choice	Step	Level	Cons	Qty	Rep. QTY
1		22660401		THROAT PLATE 3/16						1	
2		22660500		THROAT PLATE 7/32						1	
3		22660609		THROAT PLATE 1/4						1	
4		22660708		THROAT PLATE 9/32						1	
5		22660807		THROAT PLATE 5/16						1	
6		22660906		THROAT PLATE 3/8						1	
7		22661102		THROAT PLATE 1/2						1	
8		22821201		THREAD CUTTING FEED DOG 3/16						1	
9		22821300		FEED DOG 7/32 D=2.4						1	
10		22821409		FEED DOG(D=2.4) 1/4						1	
11		22821508		FEED DOG D=2.4 9/32						1	
12		22821607		FEED DOG D=2.4 5/16						1	
13		22821706		FEED DOG 3/8 D=2.4						1	
14		22821805		FEED DOG(D=2.4) 1/2						1	
15		B1402528DALA		NEEDLE CLAMP ASM. LEFT						1	
16		B1402528EAL		NEEDLE CLAMP ASM. 7/32						1	
17		B1402528FALA		NEEDLE CLAMP ASM. 1/4						1	
18		B1402528GAL		NEEDLE CLAMP ASM., LEFT						1	
19		B1402528HALA		NEEDLE CLAMP ASM. 5/16						1	
20		B1402528KALA		NEEDLE CLAMP ASM. 3/8						1	
21		B1402528LAL		NEEDLE CLAMP ASM., LEFT 1/2						1	
22		B1402528DARA		NEEDLE CLAMP ASM. RIGHT						1	
23		B1402528EAR		NEEDLE CLAMP ASM. 7/32						1	
24		B1402528FARA		NEEDLE CLAMP ASM. 1/4						1	
25		B1402528GAR		NEEDLE CLAMP ASM., RIGHT						1	
26		B1402528HARA		NEEDLE CLAMP ASM. 5/16						1	
27		B1402528KARA		NEEDLE CLAMP ASM. 3/8						1	
28		B1402528LAR		NEEDLE CLAMP ASM., RIGHT 1/2						1	
29		22665103		FEED DOG 1/8						1	
30		10237907		FEED DOG 5/32						1	
31	D	10238004		FEED DOG 3/16						1	
32		10238103		FEED DOG 7/32						1	
33		10238202		FEED DOG 1/4						1	
34		10238301		FEED DOG 9/32						1	
35		10238400		FEED DOG 5/16						1	
36		10238509		FEED DOG 3/8						1	
37		10168300		FEED DOG 7/16						1	
38		10138707		FEED DOG 1/2						1	
39		10238806		FEED DOG 5/8						1	
40		10238905		FEED DOG 3/4						1	
41		10168706		FEED DOG 7/8						1	
42		10239002		FEED DOG 1						1	
43		10168904		FEED DOG 1-1/8						1	
44		10169001		FEED DOG 1-1/4						1	
45		10222255		PRESSER FOOT ASM. 1/8						1	
46		10222354		PRESSER FOOT ASM. 5/32						1	

TABLE OF EXCHANGING GAUGE PARTS (2)

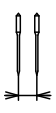
Needle gauge size 針 幅			Throat plate (with Thread Trimmer) 針板(糸切付)		Feed Dog (with Thread Trimmer) 送り歯(糸切付)		Needle clamp asm.Left 針 留(組)左		Needle clamp asm.Right 針 留(組)右	
Code コード										
	inch	mm	Ref.No.	Part No.	Ref.No.	Part No.	Ref.No.	Part No.	Ref.No.	Part No.
B	1/8	3.2								
C	5/32	4.0								
D	3/16	4.8	1	226-60401	8	228-21201	15	B1402-528-DAL-A	22	B1402-528-DAR-A
E	7/32	5.6	2	226-60500	9	228-21300	16	B1402-528-EAL	23	B1402-528-EAR
F	1/4	6.4	3	226-60609	10	228-21409	17	B1402-528-FAL-A	24	B1402-528-FAR-A
G	9/32	7.1	4	226-60708	11	228-21508	18	B1402-528-GAL	25	B1402-528-GAR
H	5/16	7.9	5	226-60807	12	228-21607	19	B1402-528-HAL-A	26	B1402-528-HAR-A
K	3/8	9.5	6	226-60906	13	228-21706	20	B1402-528-KAL-A	27	B1402-528-KAR-A
L	1/2	12.7	7	226-61102	14	228-21805	21	B1402-528-LAL	28	B1402-528-LAR
M	5/8	15.9								
N	3/4	19.1								
Q	1	25.4								
Stitch spec. 縫 仕 様	S		Spec.common 仕様共通		★		Spec.common 仕様共通			
	A									
G										


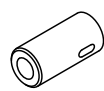
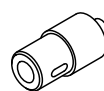
Needle gauge size 針 幅		Feed dog 送り歯		Presser Foot asm. 押さえ(組)				
Code コード								
	inch	mm	Ref.No.	Part No.	Ref.No.	Part No.	Ref.No.	Part No.
A	3/32	2.4						
B	1/8	3.2	29	226-65103	45	102-22255		
C	5/32	4.0	30	102-37907	46	102-22354		
D	3/16	4.8	31	102-38004	47	226-40353	57	228-16557
E	7/32	5.6	32	102-38103	48	226-40452	58	228-16656
F	1/4	6.4	33	102-38202	49	101-52957	59	228-16755
G	9/32	7.1	34	102-38301	50	226-40759	60	228-16854
H	5/16	7.9	35	102-38400	51	226-40858	61	228-16953
K	3/8	9.5	36	102-38509	52	226-40957	62	228-17050
W	7/16	11.1	37	101-68300				
L	1/2	12.7	38	101-38707	53	226-41252	63	228-17159
M	5/8	15.9	39	102-38806	54	226-41351		
N	3/4	19.1	40	102-38905	55	226-41450		
P	7/8	22.2	41	101-68706				
Q	1	25.4	42	102-39002	56	226-41757		
R	1 1/8	28.6	43	101-68904				
S	1 1/4	31.8	44	101-69001				
T	1 3/8	34.9						
U	1 1/2	38.1						
Stitch spec. 縫 仕 様	S		★		★		★	
	G							

TABLE OF EXCHANGING GAUGE PARTS (2)



No.	Supply Code	Parts No.	Replacement	Parts name	Remarks	Choice	Step	Level	Cons	Qty	Rep. QTY
47		22640353		PRESSER FOOT ASM.						1	
48		22640452		PRESSER FOOT ASM.						1	
49		10152957		PRESSER FOOT ASM. 1/4						1	
50		22640759		PRESSER FOOT ASM.						1	
51		22640858		PRESSER FOOT ASM.						1	
52		22640957		PRESSER FOOT ASM.						1	
53		22641252		PRESSER FOOT ASM.						1	
54		22641351		PRESSER FOOT ASM.						1	
55		22641450		PRESSER FOOT ASM.						1	
56		22641757		PRESSER FOOT ASM.						1	
57		22816557		TIP-DIVIDED PRESSER ASM. 3/16						1	
58		22816656		TIP-DIVIDED PRESSER ASM. 7/32						1	
59		22816755		PRESSER FOOT ASM. 1/4						1	
60		22816854		TIP-DIVIDED PRESSER ASM. 9/32						1	
61		22816953		TIP-DIVIDED PRESSER ASM. 5/16						1	
62		22817050		PRESSER FOOT ASM. D=2.4 (3/8)						1	
63		22817159		PRESSER FOOT ASM. D=2.4 (1/2)						1	

TABLE OF EXCHANGING GAUGE PARTS (3)


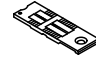
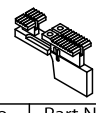
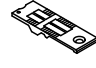
Needle gauge size 針 幅		Bed Slide asm. (with Tread Trimmer) 滑り板(組) (糸切り付)				Bed Slide asm. (without Tread Trimmer・stitch spec. F) 滑り板 (組) (糸切り無・F仕様)			
Code コード		Bed Slide asm. (Left) 糸切り滑り板(左)組		Bed Slide asm. (Right) 糸切り滑り板(右)組		Bed Slide asm. (Left) 滑り板(左)組		Bed Slide asm. (Right) 滑り板(右)組	
		inch	mm	Ref.No.	Part No.	Ref.No.	Part No.	Ref.No.	Part No.
B S K	$\frac{1}{8}$ 3.2 $\frac{3}{8}$ 9.5	1	226-50857	4	226-50352	7	226-01058	10	226-00555
L S N	$\frac{1}{2}$ 12.7 $\frac{3}{4}$ 19.1	2	226-50956	5	226-50451	8	226-01157	11	226-00654
Q	1 25.4	3	226-51053	6	226-50550	9	226-01256	12	226-00753

Needle gauge size 針 幅		Front Metal 前 メタル		Inner Metal 中 メタル	
Code コード					
		inch	mm	Ref.No.	Part No.
B S M	$\frac{1}{8}$ 3.2 $\frac{5}{8}$ 15.9	13	B1802-512-0A0-A	15	B1803-515-0A0
N S U	$\frac{3}{4}$ 19.1 $1\frac{1}{2}$ 38.1	14	B1802-512-0AB	16	101-12357

ワイパー

Needle gauge size 針 幅		Wiper ワイパー	
Code コード			
		inch	mm
A S K	$\frac{3}{32}$ 2.4 $\frac{3}{8}$ 9.5	17	102-09203
W S M	$\frac{1}{16}$ 1.6 $\frac{5}{8}$ 15.9	18	102-09500
N S P	$\frac{3}{4}$ 19.1 $\frac{7}{8}$ 22.2	19	102-09807
Q S S	1 25.4 $1\frac{1}{4}$ 31.8	20	102-09906

空環ゲージ

Needle gauge size 針 幅		Throat plate(without Thread Trimmer) 針板(糸切無)		Feed dog(without Thread Trimmer) 送り歯(糸切無)		Throat plate(with Thread Trimmer) 針板(糸切付)	
Code コード							
		inch	mm	Ref.No.	Part No.	Ref.No.	Part No.
D	$\frac{3}{16}$ 4.8	17	228-35003	19	228-35557	21	228-35201
F	$\frac{1}{4}$ 6.4	18	228-35102	20	228-35656	22	228-35300


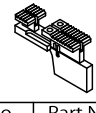


Needle gauge size 針 幅		Feed dog(with Thread Trimmer) 送り歯(糸切付)		Presser Foot asm. 押 さ え(組)		Feed Dog Screw 送り歯止めねじ	
Code コード							
		inch	mm	Ref.No.	Part No.	Ref.No.	Part No.
D	$\frac{3}{16}$ 4.8	23	106-91053	25	B1524-512-DBH	27	SS-6580710-TP
F	$\frac{1}{4}$ 6.4	24	106-98652	26	B1524-512-FBE	28	SS-6580710-TP

TABLE OF EXCHANGING GAUGE PARTS (3)

No.	Supply Code	Parts No.	Replacement	Parts name	Remarks	Choice	Step	Level	Cons	Qty	Rep. QTY
1		22650857		BED SLIDE LEFT, ASM., A						1	
2		22650956		LEFT SLIDER PLATE B ASM.						1	
3		22651053		BED SLIDE LEFT, ASM., C						1	
4		22650352		BED SLIDE RIGHT, ASM., A						1	
5		22650451		RIGHT SLIDER PLATE B ASM.						1	
6		22650550		BED SLIDE RIGHT, ASM., C						1	
7		22601058		BED SLIDE LEFT, ASM., A						1	
8		22601157		LEFT SLIDER PLATE B ASM.						1	
9		22601256		BED SLIDE LEFT, ASM., C						1	
10		22600555		BED SLIDE RIGHT, ASM., A						1	
11		22600654		RIGHT SLIDER PLATE B ASM.						1	
12		22600753		BED SLIDE RIGHT, ASM., C						1	
13		B18025120A0A		BUSHING ASM., FRONT						1	
14		B18025120AB		BUSHING ASM., FRONT						1	
15		B18035150A0		BUSHING ASM., INTERMEDIATE						1	
16		10112357		BUSHING ASM. INTERMEDIATE						1	
17		10209203		WIPER 3/32"-3/8						1	
18		10209500		WIPER						1	
19		10209807		WIPER						1	
20		10209906		WIPER						1	
21		22835003		THROAT PLATE Z (P=4) 3/16						1	
22	D	22835102		THROAT PLATE (P=4) 1/4						1	
23		22835557		FEED DOG ASM. 3/16						1	
24	D	22835656		FEED DOG ASM. 1/4						1	
25		22835201		THROAT PLATE (P=4) 3/16						1	
26		22835300		THROAT PLATE (P=4) 1/4						1	
27	D	10691053		FEEDDOG3/16" ASM.						1	
28		10698652		FEED DOG 1/4 ASM.						1	
29		B1524512DBH		PRESSER FOOT 3/16 ASM.						1	
30	D	B1524512FBE		PRESSER FOOT ASM. 1/4						1	
31		SS6580710TP		SCREW						1	
32		SS6580710TP		SCREW						1	

NUMERICAL INDEX OF PARTS

PART NO	PAGE	REF NO.	PART NO	PAGE	REF NO.	PART NO	PAGE	REF NO.
10101004	2	3	10209500	38	21	11072402	14	14
10106102	26	48	10209500	60	18	11072501	36	2
10107902	24	37	10209807	38	22	11072709	38	2
10107902	26	37	10209807	60	19	11076809	44	4
10108009	24	13	10209906	38	23	11076858	44	2
10108512	18	1	10209906	60	20	11076957	44	3
10108611	18	11-94	10211407	32	6	11078102	44	20
10109908	20	55	10211605	32	2	11078250	44	14
10110500	18	41	10216703	40	4	11093606	14	13
10110609	18	42	10222255	52	40	11102100	36	5
10111201	20	66	10222255	56	45	11102209	36	6
10112001	18	6	10222354	52	41	11102308	36	11
10112357	60	16	10222354	56	46	11110301	38	13
10112407	20	56	10231603	18	34	11110400	38	11
10112803	18	48	10237907	56	30	11110509	38	12
10112803	20	48	10238004	56	31	11110707	38	8
10116051	32	3	10238103	56	32	11394509	28	24
10116606	32	23	10238202	56	33	11415866	44	13
10116705	32	40	10238301	56	34	11415908	44	22
10116754	32	37	10238400	56	35	11956802	14	22
10116804	32	15	10238509	56	36	13167556	48	1
10116903	32	35	10238806	56	39	13167903	48	8
10117109	32	24	10238905	56	40	13168000	48	9
10117208	32	18	10239002	56	42	13168109	48	10
10117851	34	55	10315208	26	60	13168208	48	11
10119105	36	18	10315455	26	61	13765607	40	44
10119204	36	19	10315505	26	54	22600555	4	42
10124204	14	10	10602902	2	2	22600555	60	10
10124303	14	15	10604809	6	31	22600654	60	11
10125201	28	16	10611457	18	14-95	22600753	60	12
10138707	56	38	10623403	40	34	22601058	2	38
10152957	52	44	10691053	60	27	22601058	60	7
10152957	58	49	10697506	14	36	22601157	60	8
10161305	36	17	10697605	14	3	22601256	60	9
10162204	46	2	10698652	60	28	22602601	4	46
10162253	46	1	10741106	14	11	22603112	2	27
10162600	46	3	11006202	28	7	22603203	2	29
10168300	56	37	11006350	28	6	22603401	44	1
10168706	56	41	11007309	28	8	22603906	6	32
10168904	56	43	11018108	28	20	22604003	6	43
10169001	56	44	11024015	46	7	22604300	6	45
10208551	38	29	11024106	46	8	22604409	6	39
10208700	38	32	11024205	46	11	22604508	6	19
10209203	38	20	11024304	46	23	22604607	6	35
10209203	60	17	11047107	46	4	22604656	6	34

NUMERICAL INDEX OF PARTS

PART NO	PAGE	REF NO.	PART NO	PAGE	REF NO.	PART NO	PAGE	REF NO.
22604904	6	44	22617005	28	34·47·48	22630404	52	24
22605307	6	2	22617104	28	23	22630503	52	25
22605356	6	1	22617609	14	30	22630602	52	26
22605406	6	9	22617708	14	24	22630800	52	27
22607006	12	83	22617807	14	23	22630909	52	28
22607105	10	73	22617906	14	17	22631006	52	29
22607204	10	74	22618102	14	6	22631105	52	30
22607303	12	81	22618201	14	4	22631303	52	31
22607402	12	82	22618300	14	5	22631402	52	32
22608103	28	10	22618706	14	40	22631501	52	33
22608152	28	5	22618805	14	31	22631709	52	34
22609002	26	26·52	22618904	14	27	22631808	52	35
22609101	24	29	22619001	40	28	22631907	52	36
22609200	24	25	22619100	4	11·50	22632004	52	37
22609309	26	56	22619209	40	11	22632103	52	38
22609408	26	43	22619415	40	18	22632202	52	39
22609606	26	55	22619605	40	27	22640353	52	42
22609705	24	36	22619704	42	65·66	22640353	58	47
22609754	24	35	22619803	40	25	22640452	52	43
22609804	18	8	22620108	40	9	22640452	58	48
22610000	24	6	22620355	40	6	22640759	52	45
22610109	24	2	22620454	40	7	22640759	58	50
22610208	24	4	22620504	40	14	22640858	52	46
22610307	24	8	22620702	40	8	22640858	58	51
22610406	24	23	22620801	28	32	22640957	54	47
22610505	24	16	22620801	40	21	22640957	58	52
22610604	24	9	22620900	2	14	22641252	54	48
22611651	22	14·95	22621056	44	28	22641252	58	53
22611701	22	11·94	22622005	46	24	22641351	54	49
22611909	22	97	22622104	46	15	22641351	58	54
22612501	18	51	22622302	6	7	22641450	54	50
22612501	20	51	22622351	6	6	22641450	58	55
22613400	20	86	22622401	6	33	22641757	54	51
22613608	22	89	22623102	22	93	22641757	58	56
22614101	20	65	22623201	6	12	22650055	4	45
22615009	20	76	22625305	52	1	22650352	4	43
22615108	20	75	22625404	52	2	22650352	60	4
22615207	20	79	22625503	4	40	22650451	60	5
22615306	20	78	22625503	52	3	22650550	60	6
22615454	20	12·74	22625602	52	4	22650857	2	39
22615462	18	12·74	22625701	52	5	22650857	60	1
22615702	20	80	22625800	52	6	22650956	60	2
22615801	20	82	22626006	52	7	22651053	60	3
22615959	20	83	22630107	52	22	22651202	4	56
22616254	20	84	22630206	52	23	22651459	4	47

NUMERICAL INDEX OF PARTS

PART NO	PAGE	REF NO.	PART NO	PAGE	REF NO.	PART NO	PAGE	REF NO.
22651509	6	23	22680250	2	20	22686158	8	24
22651558	6	22	22680656	6	13	22686455	42	61
22651566	6	21	22681316	8	27	22687008	16	62
22651608	6	46	22681407	8	25	22687107	16	60
22652002	24	26·52	22681506	8	26	22687305	16	51
22652101	24	10	22681712	8	9	22687453	16	47
22654008	34	61	22681803	8	16	22687503	16	55
22654107	32	31	22681951	8	11~15	22687602	16	58
22654305	34	53	22682058	8	11~15	22687701	16	56
22654404	32	44	22682157	8	11~15	22687800	16	52
22654503	34	48	22682256	8	11~15	22689053	14	9
22654552	34	47	22682355	8	11~15	22689061	14	1·2
22654602	34	49	22682504	8	47	22689103	14	20
22654800	32	14	22682504	10	47	22689202	14	44
22654909	28	25	22682652	8	1·2	22689301	14	41
22654958	28	22	22682702	8	8	22689657	14	1·2
22655005	34	60	22682850	8	10	22693253	8	28
22655104	32	22	22683007	10	53	22693352	10	39
22655153	32	20	22683056	10	48	22693451	8	1·2
22655302	34	11·66	22683106	10	51	22810105	2	17·59
22655401	34	10·67	22683205	10	49	22811301	4	51
22656003	36	41	22683304	10	50	22811400	2	25
22656102	36	33	22683403	10	54	22811558	4	55
22656201	36	32	22683502	10	60	22812507	20	71
22656300	36	28	22683601	10	62	22812606	20	69
22656409	36	27	22683809	10	52	22812952	20	68
22656508	36	4	22683908	10	58	22813000	20	58
22656557	36	1	22684005	10	59	22813109	20	61
22656607	36	12	22684104	10	55	22813208	20	54
22657050	38	28	22684203	10	57	22813455	22	9·99
22657100	38	18	22684609	8	7	22813505	18	20
22657159	38	1	22685101	8	31	22813604	18	29
22657209	38	6	22685150	8	30	22813703	18	49
22657308	38	9	22685168	8	29	22813703	20	49
22657803	2	11·50	22685200	8	41	22814008	18	50
22660401	56	1	22685200	10	41	22814008	20	50
22660500	56	2	22685309	10	43	22815401	52	8
22660609	4	41	22685358	10	40	22815500	52	9
22660609	56	3	22685366	8	38	22815609	24	33
22660708	56	4	22685408	8	42	22815609	52	10
22660807	56	5	22685408	10	42	22815708	52	11
22660906	56	6	22685705	12	77	22815807	52	12
22661102	56	7	22685804	8	22	22815906	52	13
22665103	56	29	22685903	8	18	22816003	52	14
22680003	2	32	22686000	8	21	22816557	52	15

NUMERICAL INDEX OF PARTS

PART NO	PAGE	REF NO.	PART NO	PAGE	REF NO.	PART NO	PAGE	REF NO.
22816557	58	57	22831259	18	37	22930903	50	10
22816656	52	16	22835003	60	21	22931000	48	14
22816656	58	58	22835102	60	22	22931000	50	9
22816755	30	44	22835201	60	25	22931109	48	13
22816755	52	17	22835300	60	26	22931109	50	8
22816755	58	59	22835557	60	23	22931307	48	7
22816854	52	18	22835656	60	24	22931307	50	6
22816854	58	60	22835805	14	43	22931406	48	5
22816953	52	19	22837504	44	36	22931406	50	4
22816953	58	61	22837553	44	27	22932453	46	10
22817050	52	20	22901805	2	34	22934202	46	20
22817050	58	62	22904155	26	50	22934251	46	16
22817159	52	21	22907109	30	43	22934301	46	21
22817159	58	63	22907505	28	36	22934400	46	19
22818009	4	17-59	22907604	28	37	22934509	46	17
22819007	20	72	22907703	28	38	22934608	46	18
22819106	20	70	22907802	28	1	22937965	6	30
22819304	20	47	22908552	28	4	22951552	2	8
22819403	20	46	22908800	28	15	22952501	36	37
22819502	18	38	22908909	28	13	22957104	38	14
22819809	18	36	22911804	24	18	23204001	6	5
22819908	18	35	22911903	24	21	23204506	8	4
22820104	32	5	22912000	24	20	23204605	8	5
22820153	32	4	22912109	24	19	23204704	8	6
22820203	32	10-67	22920201	28	19	23204803	42	59
22820302	32	11-66	22920706	2	23	23204951	8	3
22820666	18	9-99	22924708	40	1	23630007	40	63
22821201	56	8	22928303	44	35	23630007	42	63
22821300	56	9	22928402	44	34	26226209	36	40
22821409	24	34	22928808	44	32	26226407	36	39
22821409	56	10	22928907	44	30	26910158	50	1
22821508	56	11	22929004	44	31	40009196	38	7
22821607	56	12	22930309	48	12	40012461	32	26
22821706	56	13	22930309	50	7	40012577	40	23
22821805	56	14	22930408	48	6	40015144	10	65
22827109	18	28	22930408	50	5	40017058	28	41
22827158	18	19	22930507	48	3	40021415	4	64
22827208	18	43	22930507	50	2	40030133	30	34-47-48
22827257	18	39	22930556	48	2	40034204	28	11
22827307	18	44	22930556	50	20	40039672	30	34-47-48
22827307	20	44	22930705	48	4	B1104051000	2	31
22827406	18	40	22930705	50	3	B1202512000	6	16
22827505	22	91	22930804	48	16	B1214038000	42	52
22827653	22	90	22930804	50	11	B1402528DALA	56	15
22827703	22	92	22930903	48	15	B1402528DARA	56	22

NUMERICAL INDEX OF PARTS

PART NO	PAGE	REF NO.	PART NO	PAGE	REF NO.	PART NO	PAGE	REF NO.
B1402528EAL	56	16	B3114232000	14	18	D3163555B00A	28	30
B1402528EAR	56	23	B3125012000	44	18	D3164555B00	28	28
B1402528FALA	8	36	B3126012000	14	16	D3171415B0H	20	81
B1402528FALA	56	17	B3126012000	44	16	EA9500B0100	34	65
B1402528FARA	10	45	B3128520000	16	64	EA9500B0100	42	58
B1402528FARA	56	24	B3129012B00	44	17	HA000590000	38	15
B1402528GAL	56	18	B31375270A0	14	32	HA001900000	36	10
B1402528GAR	56	25	B3138527000	14	29	HK034610140	34	57
B1402528HALA	56	19	B3139527000	14	33	HK03464000B	34	56
B1402528HARA	56	26	B3141527000	14	25	HK03464000B	36	13
B1402528KALA	56	20	B3142527000	14	34	HK03464000B	38	24
B1402528KARA	56	27	B3143527000	14	35	HW200390000	38	16
B1402528LAL	56	21	B3211555000	44	21	HW500070000	36	9
B1402528LAR	56	28	B3417051000	34	62	HW500070000	38	17
B1414512000	12	79	B3418180000	32	17	M4002110000	6	24
B1425526000	8	46	B3517009000	40	17	M40071100AA	6	25
B1425526000	10	46	B3524552000	42	53	M40071100AB	6	26
B1438512B00	12	80	B3534012000	42	62	M6045350AAA	4	60
B1449526000	14	19	B3534155000	42	51	MC200500900	10	68-69
B1501581000	28	40	B3538112000	42	56	MC200501300	12	76-78
B1505227T00A	28	39	B8233555000	44	5	MDP500B1400	10	68-69
B1515051000	34	46	B9117563000	18	18	MDP500B2100	10	76-78
B1521555000	28	2	BT0500300EA	26	64	NM6040002SE	48	24
B1524512DBH	60	29	BT0630520Z0	6	8	NM6050001SE	48	28
B1524512FBE	60	30	CM300200001	4	48-49	NM6050001SE	50	18
B1603512000	26	46	CM3002000B1	4	48-49	NM6050001SP	32	43
B1604012000A	26	41	CM300200101	4	62-63	NM6060001SE	46	12
B1610512000	24	31	CM3002001A1	4	62-63	NM6160511SE	48	27
B1633470000	26	63	CQ202000000	6	3	NM6160511SE	50	17
B1636581B00	24	30	CQ202000000	20	63	NS6080210SP	26	44
B1653470000	26	65	CQ252000000	6	10	NS6090310SP	38	26
B1705850000	10	61	CQ252000000	10	63	NS6090310SP	40	33
B18025120A0A	18	2	CQ252000000	26	51	NS6110310SN	40	5
B18025120A0A	60	13	CQ505000000	6	14	NS6110310SP	14	8
B18025120AB	60	14	CS070081BSH	32	33	NS6110310SP	38	10
B18035150A0	18	10	CS102121ASH	24	11	NS6110310SP	40	37
B18035150A0	60	15	CS1470710SH	32	29	NS6110420SP	20	62
B1816512000	18	4	CS1471012SH	18	16	NS6110420SP	40	16
B1821051000	20	60	D2112555B00	2	57	NS6120310SP	14	45
B1823051000	20	64	D2112555B00	4	57	NS6120310SP	40	13
B1834512000A	40	36	D2427555B00B	32	42	NS6150430SP	10	72
B1850512000	40	31	D2428555B00A	32	41	NS6620310SP	28	27
B1851512000	40	30	D2430555B00	32	39	NS6680320SP	26	57
B3041980000	34	59	D2464555B00	36	22	NS6700420SP	40	20
B3112704000	14	21	D3159555B00	28	26	PS0300201KP	32	25

NUMERICAL INDEX OF PARTS

PART NO	PAGE	REF NO.	PART NO	PAGE	REF NO.	PART NO	PAGE	REF NO.
PS0600502KP	28	35	SM6082502TP	22	88	SS6080340SP	10	56
RE0320000K0	38	31	SM8040802SP	36	7	SS6080410SP	10	67
RE0400000K0	36	23	SM8050502TP	26	42	SS6081810SP	26	45
RE0500000K0	24	3	SM8063012TR	46	13	SS6090630SP	2	36
RE0500000K0	28	18	SM9061203SE	46	22	SS6090670TP	24	1
RE0500711KP	26	40	SM9061853SR	46	14	SS6090810SP	20	52
RE0700000K0	16	57	SQ1110401MZ	40	65-66	SS6110430TP	16	48
RE0900000K0	24	14	SQ1110401MZ	42	65-66	SS6111052TP	32	28
RE1000000K0	46	9	SQ1150451MZ	40	39	SS6111140SP	2	5
RO037180100	28	3	SS2080810SP	32	1	SS6111210SP	6	28
RO092270200	24	17	SS2090710TP	2	35	SS6111610SP	40	35
RO098240100	46	6	SS2110920TP	2	37	SS6120940SP	34	63
RO195240100	40	2	SS2110920TP	32	27	SS6121212TP	32	13
RO437200200	6	37	SS2110930SP	40	29	SS6121610TP	10	75
SB120000100	6	36	SS3090520SP	38	33	SS6121610TP	26	58
SB30953010A	20	67	SS3090610SP	4	52	SS6121610TP	32	54
SD0470281SP	14	7	SS4090715SP	10	66	SS6121610TP	34	54
SD0490261SP	44	37	SS4090815SP	8	17	SS6121610TP	40	12
SD0500301SP	38	27	SS4110515SP	20	85	SS6121610TP	44	8
SD0600271SP	32	19	SS4110515SP	30	46	SS6121840SP	36	38
SD0600322SD	28	17	SS4110515SP	44	33	SS6121860SP	24	22
SD0601171SP	14	12	SS4110615SP	14	37	SS6151040SP	34	58
SD0640241SP	14	61	SS4110615SP	40	24	SS6151220SP	32	38
SD0640241SP	16	61	SS4110715SP	28	29	SS6151780SP	2	16
SD0640321SP	36	34	SS4110715SP	40	26	SS6152440SP	10	70
SD0640752TP	16	54	SS4110815SP	2	4	SS6153040SP	20	57
SD0650305TP	34	52	SS4110815SP	20	77	SS6560150SH	18	45
SD0650321TP	38	5	SS4110815SP	24	24	SS6560150SH	20	45
SD0720332SP	28	14	SS4110815SP	42	57	SS6580710TP	60	32
SD0800422CP	24	5	SS4111015SP	4	61	SS6580752TP	24	32
SD0870601SP	10	71	SS4111015SP	28	33	SS6661110SP	6	18
SD0900701TP	26	59	SS4111215SP	28	31	SS6661110SP	24	27
SK3412000SC	44	11	SS4111215SP	40	15	SS7060310SP	10	64
SK3482500SC	44	41	SS4111215SP	44	7	SS7081310SP	44	38
SL4030891SC	38	4	SS4111815SP	40	3	SS7090510SP	14	28
SM0081001SD	46	5	SS4120615SP	2	58	SS7090610SP	42	60
SM4031501SC	36	8	SS4120615SP	4	58	SS7090710SP	32	12
SM4040655SP	36	3	SS4120615SP	14	46	SS7090710SP	40	32
SM4041001SC	48	20	SS4120615SP	36	35	SS7090910TP	30	45
SM4041201SC	48	22	SS4120615SP	38	25	SS7110510SP	26	62
SM4042001SC	48	23	SS4120915SP	16	59	SS7110710SP	8	20
SM4051405SE	48	18	SS4121015SP	2	21	SS7110710SP	18	13
SM4051405SE	50	13	SS4153015SP	36	29	SS7110710SP	24	28
SM6061610SC	48	17	SS5090610SP	32	9	SS7110710SP	36	15
SM6061610SC	50	12	SS6060510TP	8	23	SS7110740TP	16	49

NUMERICAL INDEX OF PARTS

PART NO	PAGE	REF NO.	PART NO	PAGE	REF NO.
SS7110840SP	44	29	TA0750704R0	2	15
SS7110910SP	26	53	TA1250406R0	2	22
SS7111310TP	26	47	WP0371016SD	20	53
SS7111410TP	16	53	WP0371016SD	38	19
SS7111810SP	20	73	WP0450000SD	8	19
SS7120760SP	6	17	WP0450801SD	6	29
SS7120760SP	18	15	WP0450801SP	14	39
SS7120760SP	36	36	WP0480856SP	44	39
SS7120910SP	24	15	WP0501016SC	44	40
SS7121410SP	24	7	WP0501016SD	14	38
SS7151210SP	36	24	WP0501016SD	34	64
SS7151610SP	32	16	WP0501016SD	36	20
SS7681750TP	6	40	WP0501016SD	44	10
SS8080610SP	32	7	WP0612056SD	36	31
SS8110410TP	32	30	WP0621016SD	26	39
SS8110510SP	32	34	WP0621016SD	36	26
SS8110520TP	16	50	WP0753016SZ	32	36
SS8111010TP	32	21	WP0850002SP	22	87
SS8120740SP	2	24	WP1612616SE	48	25
SS8150410SP	4	53	WP1612616SE	50	15
SS8150822TP	6	11	WS0451040KP	44	9
SS8151150SP	4	54	WS0510002KN	48	29
SS8151150SP	18	3	WS0510002KN	50	19
SS8151150SP	26	49	WS0610002KP	36	30
SS8151550SP	6	27	WS0631510KP	36	25
SS8660530TP	6	38	WS1643202KR	48	26
SS8660530TP	18	98	WS1643202KR	50	16
SS8660530TP	22	98	WT0530002KS	2	10
SS8660610TP	24	12			
SS8660810TP	18	5			
SS8660810TP	30	42			
SS8660810TP	32	32			
SS8680540SP	6	15			
SS8680810TP	6	42			
SS8681650TP	6	41			
SS8701782TP	40	19			
SS9080410SP	32	8			
SS9110460CP	2	33			
SS9110460CP	16	63			
SS9111010SP	34	50			
SS9111010SP	36	21			
SS9111010SP	38	30			
SS9151440CP	26	38			
TA0500601M0	22	96			
TA0750404R0	2	12			