

MODEL : AMS-223C SUBCLASSES

List No : 1076-00

# PARTS LIST

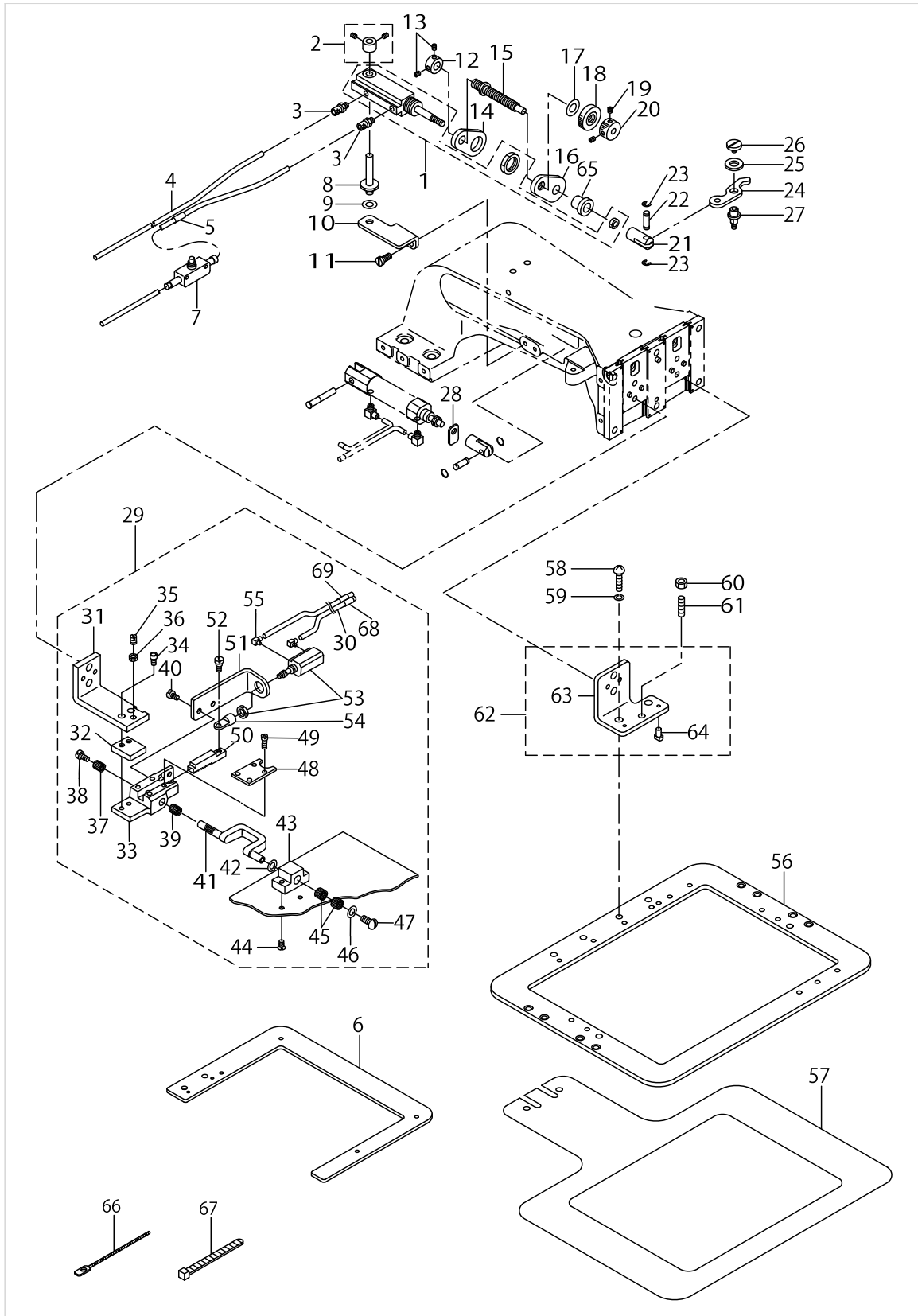
Published:05/12/2017

## CONTENTS

---

CLOTH FEED MECHANISM COMPONENTS.....	1
NEEDLE BAR, PRESSER MECHANISM & ACCESSORIE PART COMPONENTS .....	5
PNEUMATIC COMPONENTS(FOR AMS-223CST,AMS-223CHT).....	7
PNEUMATIC COMPONENTS(FOR AMS-223CSL,AMS-223CHL & AMS-223CGL).....	9
PNEUMATIC COMPONENTS(FOR AMS-223CSB,AMS-223CHB & AMS-223CGB) .....	11
HOW TO MAKE USE OF THIS PARTS LIST .....	13

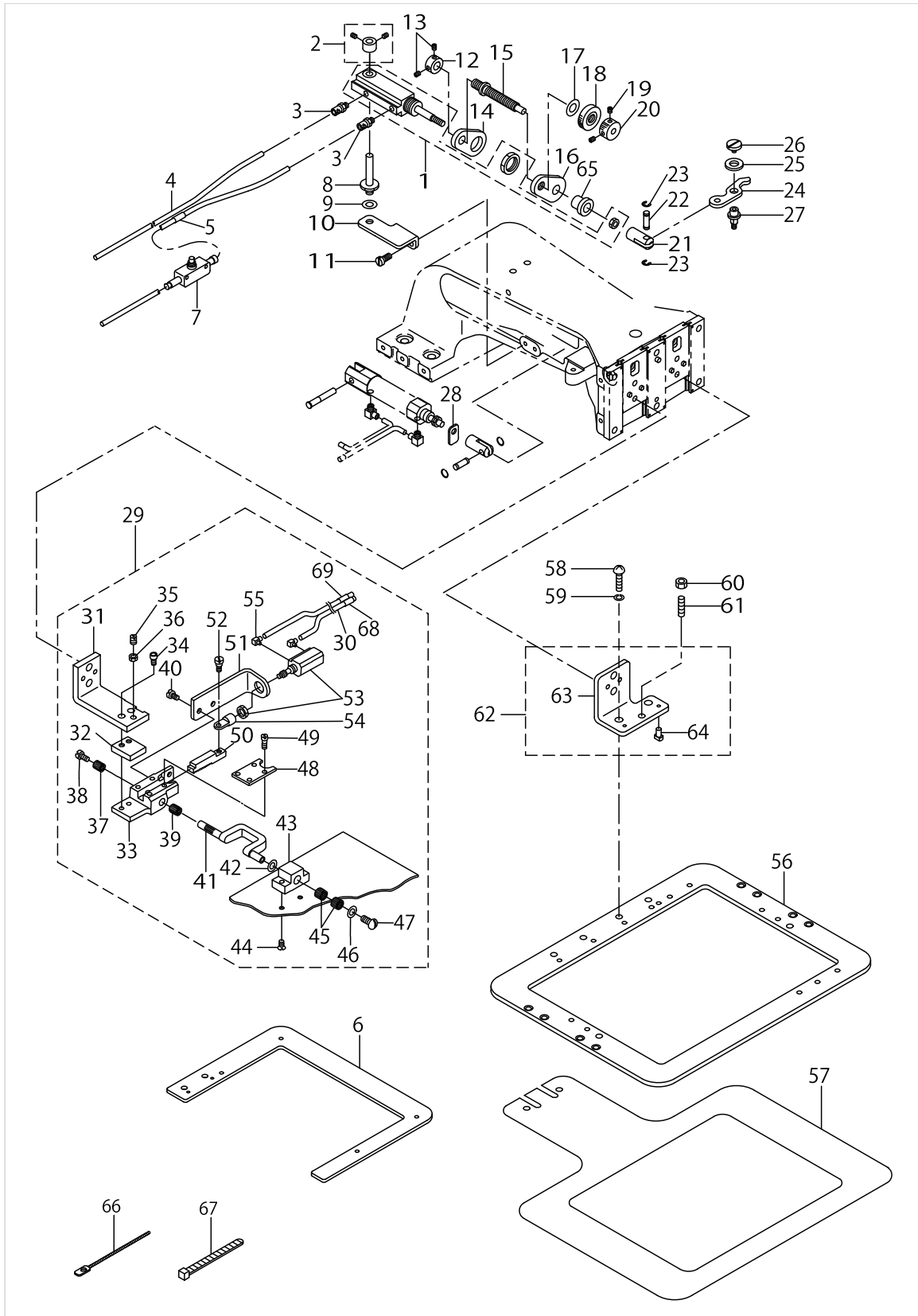
# CLOTH FEED MECHANISM COMPONENTS



CLOTH FEED MECHANISM COMPONENTS

No.	Supply Code	Parts No.	Replacement	Parts name	Remarks	Choice	Step	Level	Cons	Qty	Rep. QTY
1		PA1602510A0		AIR CYLINDER						1	
2		B25792290A0		THRUST BEARING						1	
3		PJ032052503		HOSE NIPPLE						2	
4		BT0400251EB		URETHANE HOSE, BLACK						9	
5		B471122000E		AIR TUBE LABEL J05						1	
6		B2606223C00		FRAME	FOR AMS-223C*L					2	
7		PC012401000		SPEED CONTROLLER						1	
8		B2528215000		SHAFT						1	
9		WP0650876SD		WASHER 6.5X13X0.8						1	
10		B2514215000		INSTALLING PLATE						1	
11		SS6121010SP		SCREW 3/16-28 L=10						2	
12	R	CS0790731SH	CS079073ASH	THRUST COLLAR						1	1.00
13		SS8110422TP		SCREW 11/64-40 L=4						2	
14		B2518215000		BRACKET						1	
15		B2527215000		REGULATION SCREW						1	
16		B2518215A00		REGULATION PLATE						1	
17		WP0820816SD		WASHER 8.2X16X0.8						1	
18		B3012816000		NUT						1	
19		SS8110422TP		SCREW 11/64-40 L=4						2	
20		B2304205000		KNOB						1	
21		B1625220000		CYLINDER KNUCKLE						1	
22		B1626220000		CYLINDER PIN						1	
23		RE0300000K0		E-RING 3						2	
24		B2516215000		LEVER						1	
25		B185351200E		HOOK SHAFT WASHER						1	
26		SS6110520TP		SCREW 11/64-40 L=4.5						1	
27		B3012490000		DRIVING LINK SHAFT						1	
28		B2530215000		PRESSER PLATE						1	
29		B4301223CA0		INNER PRESSER FOOT ASM.	FOR AMS-223C*T					1	
30		BT0400251EB		URETHANE HOSE, BLACK	FOR AMS-223C*T					1.6	
31		B4301223C00		INNER PRESSER FOOT	FOR AMS-223C*T			*		1	
32		B4303220000		SPACER	FOR AMS-223C*T			*		1	
33		B4302220000		BEARING	FOR AMS-223C*T			*		1	
34		SS6151412TP		SCREW 15/64-28 L=14	FOR AMS-223C*T			*		2	
35		SS8150912TH		SCREW 15/64-28 L=9	FOR AMS-223C*T			*		1	
36		NS6150310SP		NUT 15/64-28	FOR AMS-223C*T			*		1	
37		SB307000100		NEEDLE BEARING	FOR AMS-223C*T			*		1	
38		SS6110640SP		SCREW 11/64-40 L=6	FOR AMS-223C*T			*		1	
39		SB307000200		BEARING	FOR AMS-223C*T			*		1	
40		SS7150940SP		SCREW 15/64-28 L=9	FOR AMS-223C*T			*		2	
41		B4309220000		CRANK SHAFT	FOR AMS-223C*T			*		1	
42		B4328220000		WASHER	FOR AMS-223C*T			*		2	
43		B4320220000		SUPPORT BASE	FOR AMS-223C*T			*		1	
44		SS1121010SP		SCREW	FOR AMS-223C*T			*		2	
45		SB307000100		NEEDLE BEARING	FOR AMS-223C*T			*		2	
46		B322877100B		BOBBIN WINDER SPACER	FOR AMS-223C*T			*		1	

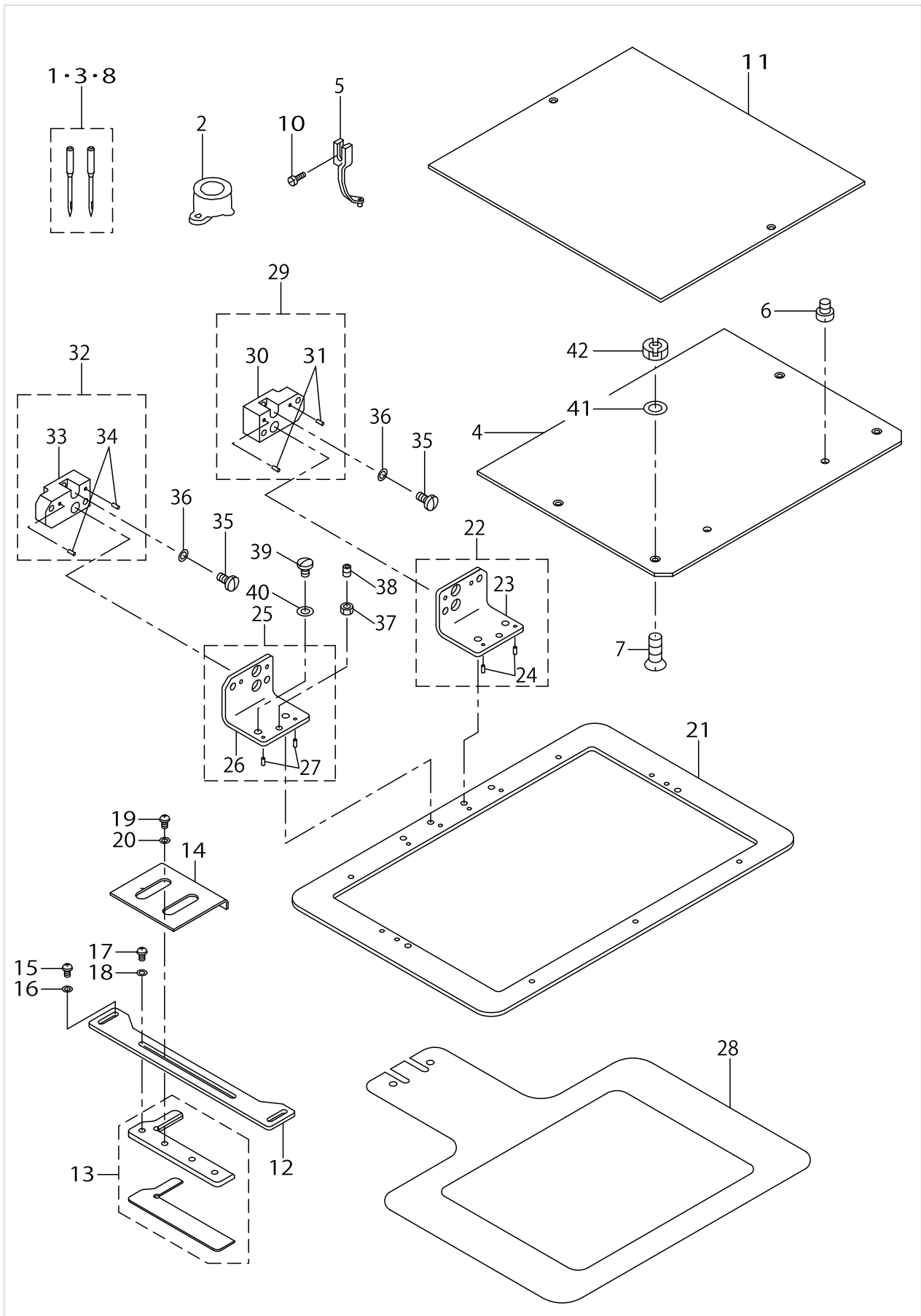
CLOTH FEED MECHANISM COMPONENTS



CLOTH FEED MECHANISM COMPONENTS

No.	Supply Code	Parts No.	Replacement	Parts name	Remarks	Choice	Step	Level	Cons	Qty	Rep. QTY
47		SS5110710SP		SCREW 11/64-40 L=7	FOR AMS-223C*T			*		1	
48		B4304220000		SUPPORT RACK	FOR AMS-223C*T			*		1	
49		SS7090910TP		SCREW 9/64-40 L=8.5	FOR AMS-223C*T			*		4	
50		B4305220000		TURN RACK	FOR AMS-223C*T			*		1	
51		B4307220000		BRACKET	FOR AMS-223C*T			*		1	
52		SD0460703TP		HINGE SCREW D=4.6 H=7	FOR AMS-223C*T			*		1	
53		B4327220000		CYLINDER	FOR AMS-223C*T			*		1	
54		B4306220000		KNUCKLE	FOR AMS-223C*T			*		1	
55		PJ046052503		HOSE ELBOW	FOR AMS-223C*T			*		2	
56		B2553215A00		FRAME	FOR AMS-223C*T					1	
57		B2558223C00		LOWER PLATE	FOR AMS-223C*T					1	
58		SS7150910TP		SCREW	FOR AMS-223C*T					2	
59		WP0651056SD		WASHER 6.5X11X1	FOR AMS-223C*T					2	
60		NS6150330SD		NUT 15/64-28	FOR AMS-223C*T					1	
61		SS8150822TP		SCREW 15/64-28 L=8	FOR AMS-223C*T					1	
62		B2607223CA0		PRESSER FOOT ASM., RIGHT	FOR AMS-223C*T					1	
63	R	B2607223C00	B2607223CA0	PRESSER FOOT, RIGHT	FOR AMS-223C*T			*		1	1.00
64		B1816280000		GUIDE PIN	FOR AMS-223C*T			*		2	
65		B2548215000		BUSHING	FOR AMS-223C*T					1	
66		HX000220000		BAND	FOR AMS-223C*T					1	
67		HX002330000		CLIP	FOR AMS-223C*T					6	
68		B471122000I		AIR TUBE LABEL J07	FOR AMS-223C*T					1	
69		B471122000J		AIR TUBE LABEL J08	FOR AMS-223C*T					1	

NEEDLE BAR, PRESSER MECHANISM & ACCESSORIE PART COMPONENTS

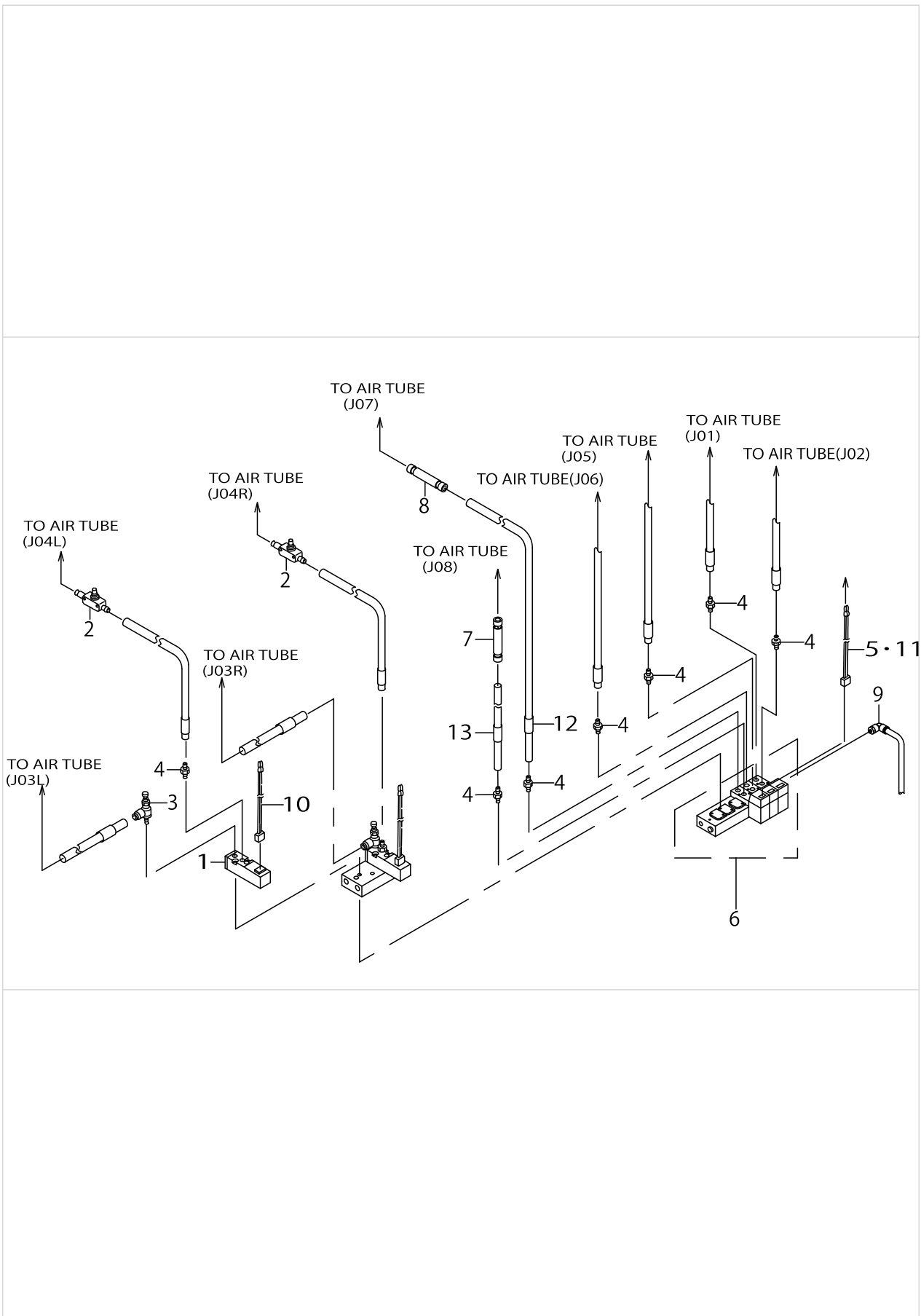


NEEDLE BAR, PRESSER MECHANISM & ACCESSORIE PART COMPONENTS

No.	Supply Code	Parts No.	Replacement	Parts name	Remarks	Choice	Step	Level	Cons	Qty	Rep. QTY
1		MDP170B1400		NEEDLE DPX17 #14	AMS-223C-ST(FOR DOMESTIC USE)					1	
2	R	B1406210000	40026884	THREAD GUIDE	FOR AMS-223C*T					1	1.00
3	D	MC372000900		NEEDLE 135X17 #90	AMS-223C-ST(FOR JE)					1	
4		B2618223C00		PRASTIC BRANK	FOR AMS-223C*L					4	
5		B1601220000		INTERMEDIATE PRESSER A	FOR AMS-223C*T					1	
6		SS7090410SP		SCREW 9/64-40 L=3.5	FOR AMS-223C*L					4	
7		SS2111010TP		SCREW 11/64-40 L=9.5	FOR AMS-223C*L					8	
8		MDP170B1800		NEEDLE DPX17 #18	AMS-223C-HT (FOR DOMESTIC USE, FOR EXPORT)					1	
9		MC372001100		NEEDLE 135X17 #110	AMS-223C-HT(FOR JE)					1	
10	R	SS7091110SP	SS7091110TP	SCREW 9/64-40 L=10.5	FOR AMS-223C*T					1	1.00
11		B2557215A00		PLASTICS BLANK	FOR AMS-223C*T					2	
12	D	B4310215000		LABEL GUIDE A	FOR AMS-223C*T					1	
13		B43112200A0		LABEL GUIDE B ASM.	FOR AMS-223C*T					1	
14		B4312220000		LABEL GUIDE C	FOR AMS-223C*T					1	
15		SS4110715SP		SCREW 11/64-40 L=7	FOR AMS-223C*T					2	
16		WP0450000SD		WASHER 4.5X8X0.5	FOR AMS-223C*T					2	
17		SS4110715SP		SCREW 11/64-40 L=7	FOR AMS-223C*T					2	
18		WP0450000SD		WASHER 4.5X8X0.5	FOR AMS-223C*T					2	
19		SS4110715SP		SCREW 11/64-40 L=7	FOR AMS-223C*T					2	
20		WP0450000SD		WASHER 4.5X8X0.5	FOR AMS-223C*T					2	
21		B2553223C00		FEEDING FRAME	FOR AMS-223C*T					1	
22		B2604223CA0		RECEIVER PLATE, RIGHT ASM.	FOR AMS-223C*T					1	
23		B2604223C00		RECEIVER PLATE, RIGHT	FOR AMS-223C*T			*		1	
24		B1816280000		GUIDE PIN	FOR AMS-223C*T			*		1	
25		B2605223CA0		RECEIVER PLATE, LEFT ASM.	FOR AMS-223C*T					1	
26		B2605223C00		RECEIVER PLATE, LEFT	FOR AMS-223C*T			*		1	
27		B1816280000		GUIDE PIN	FOR AMS-223C*T			*		1	
28	D	B2556223C00		LOWER PLATE	FOR AMS-223C*T					1	
29		B2602223CA0		PRESSER FOOT MOUNT, RIGHT ASM.	FOR AMS-223C*T					1	
30		B2602223C00		PRESSER FOOT MOUNT, RIGHT	FOR AMS-223C*T			*		1	
31		B1816280000		GUIDE PIN	FOR AMS-223C*T			*		1	
32		B2603223CA0		PRESSER FOOT MOUNT, LEFT ASM.	FOR AMS-223C*T					1	
33		B2603223C00		PRESSER FOOT MOUNT, LEFT	FOR AMS-223C*T			*		1	
34		B1816280000		GUIDE PIN	FOR AMS-223C*T			*		1	
35		SS7151210SP		SCREW 15/64-28 L=12	FOR AMS-223C*T					4	
36		WP0621026SP		WASHER 6.2X9.5X1	FOR AMS-223C*T					4	
37		NS6150330SD		NUT 15/64-28	FOR AMS-223C*T					1	
38		SS8150822TP		SCREW 15/64-28 L=8	FOR AMS-223C*T					1	
39		SS7150910TP		SCREW	FOR AMS-223C*T					2	
40		WP0651056SD		WASHER 6.5X11X1	FOR AMS-223C*T					2	
41		WP0450000SD		WASHER 4.5X8X0.5	FOR AMS-223C*L					8	
42		B1626850000		ADJUSTING NUT	FOR AMS-223C*L					8	



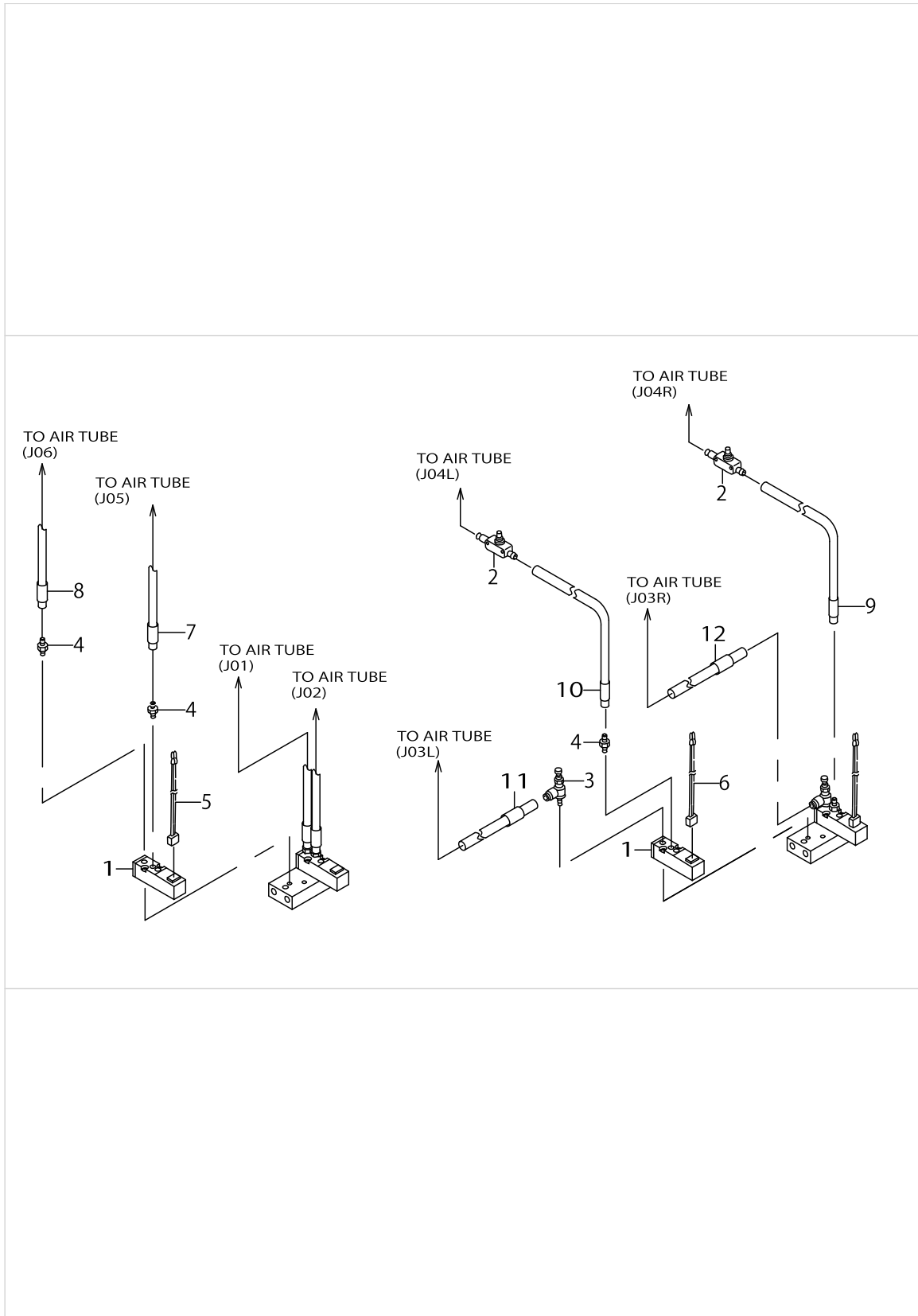
PNEUMATIC COMPONENTS(FOR AMS-223CST,AMS-223CHT)



PNEUMATIC COMPONENTS(FOR AMS-223CST,AMS-223CHT)

No.	Supply Code	Parts No.	Replacement	Parts name	Remarks	Choice	Step	Level	Cons	Qty	Rep. QTY
1		PV140501000		SOLENOID VALVE						1	
2		PC012401000		SPEED CONTROLLER						2	
3		PF070501000		PRESSURE DECREASING VALVE						1	
4		PJ032052503		HOSE NIPPLE						7	
5		B47122150A0		SOLENOID VALVE CONNECTOR ASM.						1	
6		PV0351240B0		SOLENOID VALVE ASM.						1	
7		PJ303040002		STRAIGHT UNION						1	
8		PJ303040004		QUICK COUPLING						1	
9		PJ304065101		ELBOW UNION 6XPT1/8						1	
10		B4712215AA0		SOLENOID VALVE CONNECTOR ASM.A						1	
11		B4712215BA0		SOLENOID VALVE CONNECTOR ASM.B						1	
12		B471122000I		AIR TUBE LABEL J07						1	
13		B471122000J		AIR TUBE LABEL J08						1	

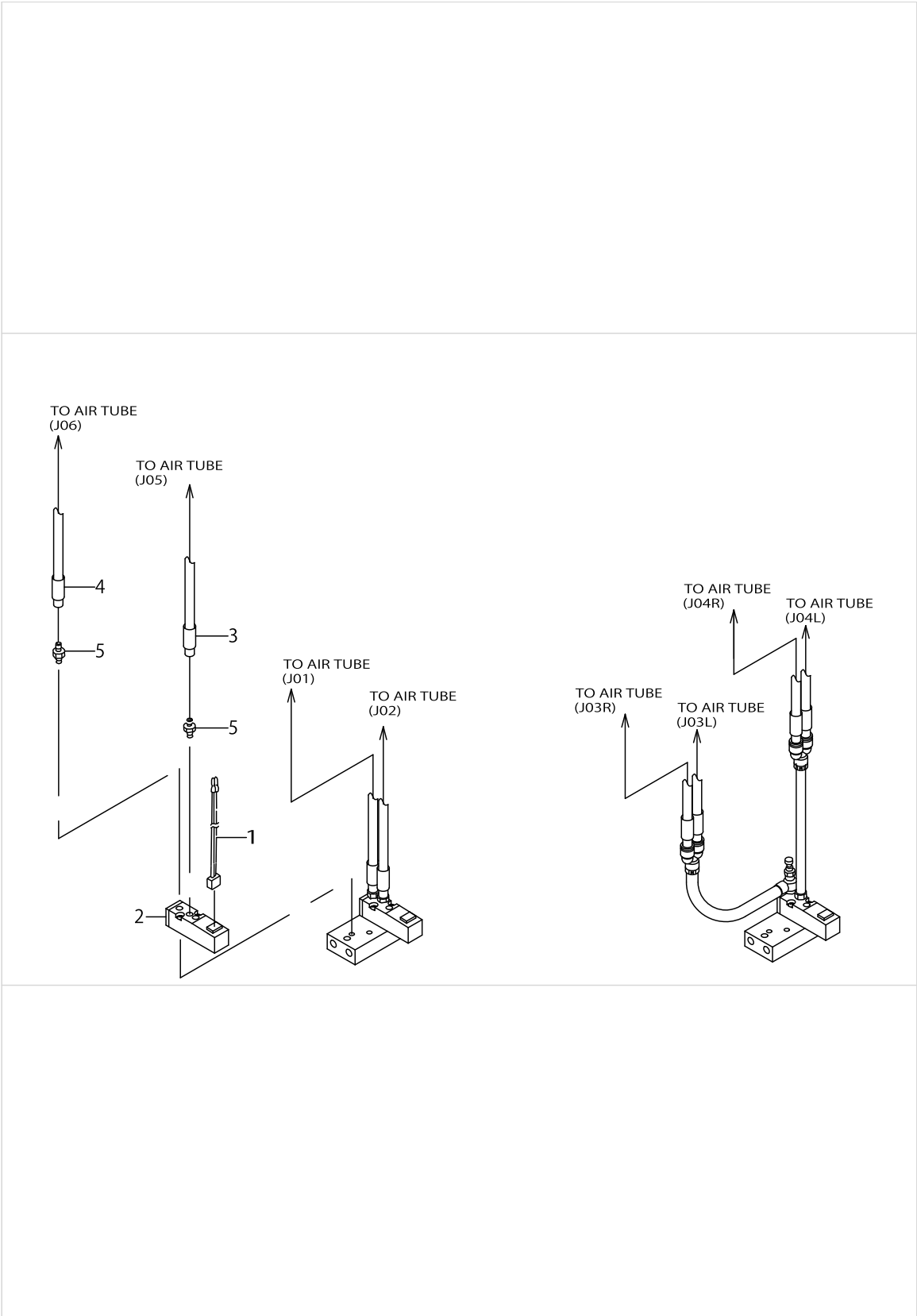
PNEUMATIC COMPONENTS(FOR AMS-223CSL,AMS-223CHL & AMS-223CGL)



PNEUMATIC COMPONENTS(FOR AMS-223CSL,AMS-223CHL & AMS-223CGL)

No.	Supply Code	Parts No.	Replacement	Parts name	Remarks	Choice	Step	Level	Cons	Qty	Rep. QTY
1		PV140501000		SOLENOID VALVE						2	
2		PC012401000		SPEED CONTROLLER						2	
3		PF070501000		PRESSURE DECREASING VALVE						1	
4		PJ032052503		HOSE NIPPLE						3	
5		B47122150A0		SOLENOID VALVE CONNECTOR ASM.						1	
6		B4712215AA0		SOLENOID VALVE CONNECTOR ASM.A						1	
7		B471122000E		AIR TUBE LABEL J05						1	
8		B471122000F		AIR TUBE LABEL J06						1	
9		B471122000H		AIR TUBE LABEL J04 RIGHT						1	
10		B471122000D		AIR TUBE LABEL J04 LEFT						1	
11		B471122000C		AIR TUBE LABEL J03 LEFT						1	
12		B471122000G		AIR TUBE LABEL J03 RIGHT						1	

PNEUMATIC COMPONENTS(FOR AMS-223CSB,AMS-223CHB & AMS-223CGB)



PNEUMATIC COMPONENTS(FOR AMS-223CSB,AMS-223CHB & AMS-223CGB)

No.	Supply Code	Parts No.	Replacement	Parts name	Remarks	Choice	Step	Level	Cons	Qty	Rep. QTY
1		B47122150A0		SOLENOID VALVE CONNECTOR ASM.						1	
2		PV140501000		SOLENOID VALVE						1	
3		B471122000E		AIR TUBE LABEL J05						1	
4		B471122000F		AIR TUBE LABEL J06						1	
5		PJ032052503		HOSE NIPPLE						2	

## HOW TO MAKE USE OF THIS PARTS LIST

- 1.As to "#01" and "#02" refer to the "Note" given at the bottom of the respective pages.
- 2.Codes on the "Qty" column
  - Each numeral indicates the number of parts required.
  - "0.1" and "2.5" indicate the length (in meters) of the respective parts.
- 3.Parentheses mean that the corresponding part is a subpart that constructs an assembly part.
- 4.Dotted lines on the Figures indicate assembly parts.

1. リストページの# 0 1、# 0 2の印は、ページ下の"注記"の説明を参照下さい。
2. 数量欄の数字は、個数を表し、0. 1、2. 5等の数値は、長さ（単位メートル）を表します。
3. 数量欄の（ ）は、組部品を構成している子部品であることを意味します。
4. イラストページの-----枠は、組構成であることを意味します。

Note : When there are parts not be listed in this parts list.  
please refer to "ASM-223C PARTS LIST (No.1075)".

注記 : このパーツリストに記載されていない部品については、  
AMS-223Cパーツリスト (No. 1075) を  
ご参照下さい。

NUMERICAL INDEX OF PARTS

PART NO	PAGE	REF NO.	PART NO	PAGE	REF NO.	PART NO	PAGE	REF NO.
B1406210000	6	2	B4307220000	4	51	PJ032052503	8	4
B1601220000	6	5	B4309220000	2	41	PJ032052503	10	4
B1625220000	2	21	B4310215000	6	12	PJ032052503	12	5
B1626220000	2	22	B43112200A0	6	13	PJ046052503	4	55
B1626850000	6	42	B4312220000	6	14	PJ303040002	8	7
B1816280000	4	64	B4320220000	2	43	PJ303040004	8	8
B1816280000	6	34	B4327220000	4	53	PJ304065101	8	9
B185351200E	2	25	B4328220000	2	42	PV0351240B0	8	6
B2304205000	2	20	B471122000C	10	11	PV140501000	8	1
B2514215000	2	10	B471122000D	10	10	PV140501000	10	1
B2516215000	2	24	B471122000E	2	5	PV140501000	12	2
B2518215000	2	14	B471122000E	10	7	RE0300000K0	2	23
B2518215A00	2	16	B471122000E	12	3	SB307000100	2	45
B2527215000	2	15	B471122000F	10	8	SB307000200	2	39
B2528215000	2	8	B471122000F	12	4	SD0460703TP	4	52
B2530215000	2	28	B471122000G	10	12	SS1121010SP	2	44
B2548215000	4	65	B471122000H	10	9	SS2111010TP	6	7
B2553215A00	4	56	B471122000I	4	68	SS4110715SP	6	19
B2553223C00	6	21	B471122000I	8	12	SS5110710SP	4	47
B2556223C00	6	28	B471122000J	4	69	SS6110520TP	2	26
B2557215A00	6	11	B471122000J	8	13	SS6110640SP	2	38
B2558223C00	4	57	B47122150A0	8	5-11	SS6121010SP	2	11
B25792290A0	2	2	B47122150A0	10	5	SS6151412TP	2	34
B2602223C00	6	30	B47122150A0	12	1	SS7090410SP	6	6
B2602223CA0	6	29	B4712215AA0	8	10	SS7090910TP	4	49
B2603223C00	6	33	B4712215AA0	10	6	SS7091110SP	6	10
B2603223CA0	6	32	B4712215BA0	8	5-11	SS7150910TP	4	58
B2604223C00	6	23	BT0400251EB	2	30	SS7150910TP	6	39
B2604223CA0	6	22	CS0790731SH	2	12	SS7150940SP	2	40
B2605223C00	6	26	HX000220000	4	66	SS7151210SP	6	35
B2605223CA0	6	25	HX002330000	4	67	SS8110422TP	2	19
B2606223C00	2	6	MC372000900	6	1-3-8	SS8150822TP	4	61
B2607223C00	4	63	MC372001100	6	9	SS8150822TP	6	38
B2607223CA0	4	62	MDP170B1400	6	1-3-8	SS8150912TH	2	35
B2618223C00	6	4	MDP170B1800	6	1-3-8	WP0450000SD	6	41
B3012490000	2	27	NS6150310SP	2	36	WP0621026SP	6	36
B3012816000	2	18	NS6150330SD	4	60	WP0650876SD	2	9
B322877100B	2	46	NS6150330SD	6	37	WP0651056SD	4	59
B4301223C00	2	31	PA1602510A0	2	1	WP0651056SD	6	40
B4301223CA0	2	29	PC012401000	2	7	WP0820816SD	2	17
B4302220000	2	33	PC012401000	8	2			
B4303220000	2	32	PC012401000	10	2			
B4304220000	4	48	PF070501000	8	3			
B4305220000	4	50	PF070501000	10	3			
B4306220000	4	54	PJ032052503	2	3			