

MODEL : AK-108/AK-109

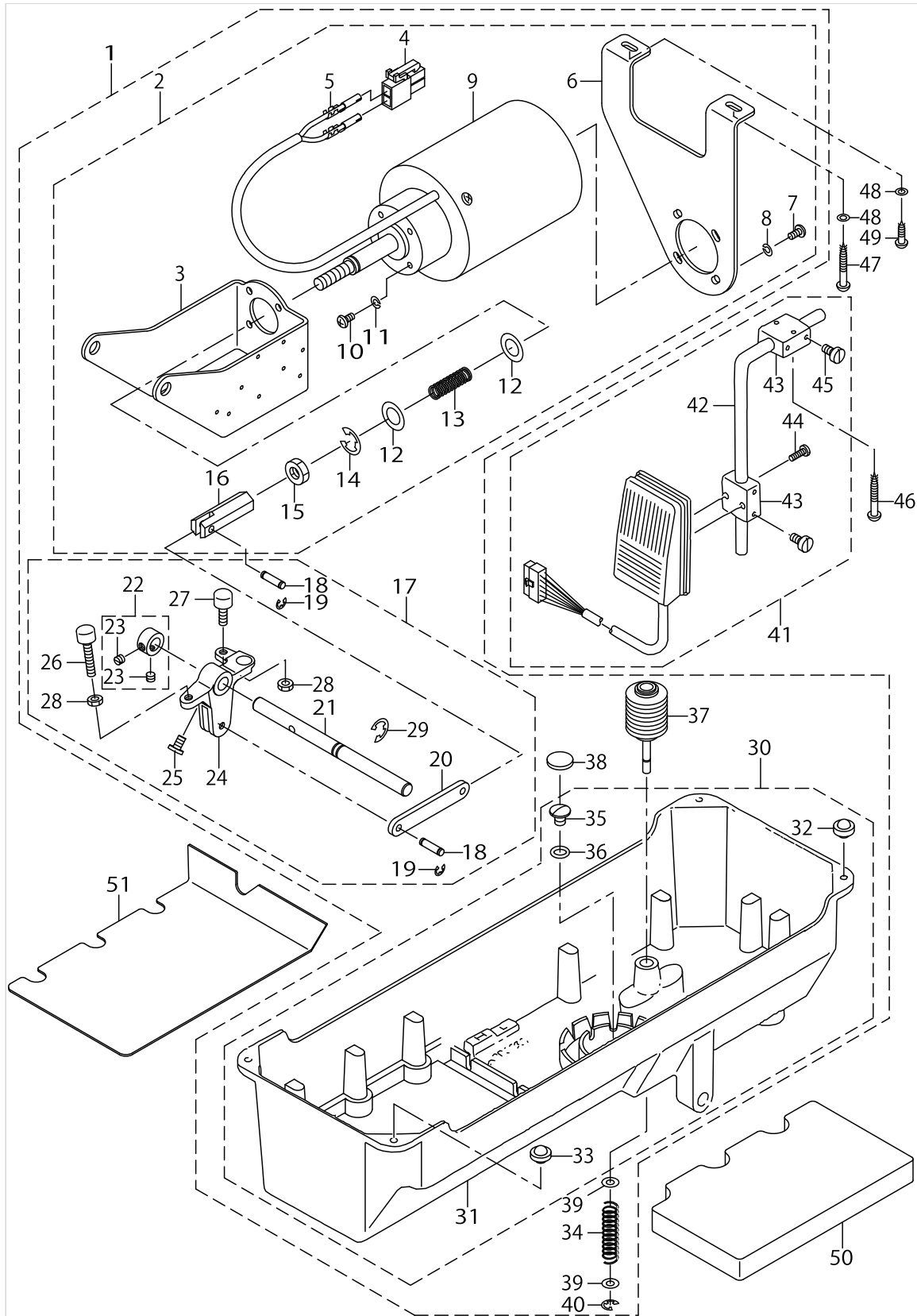
List No : 1092-00

PARTS LIST

Published:05/12/2017

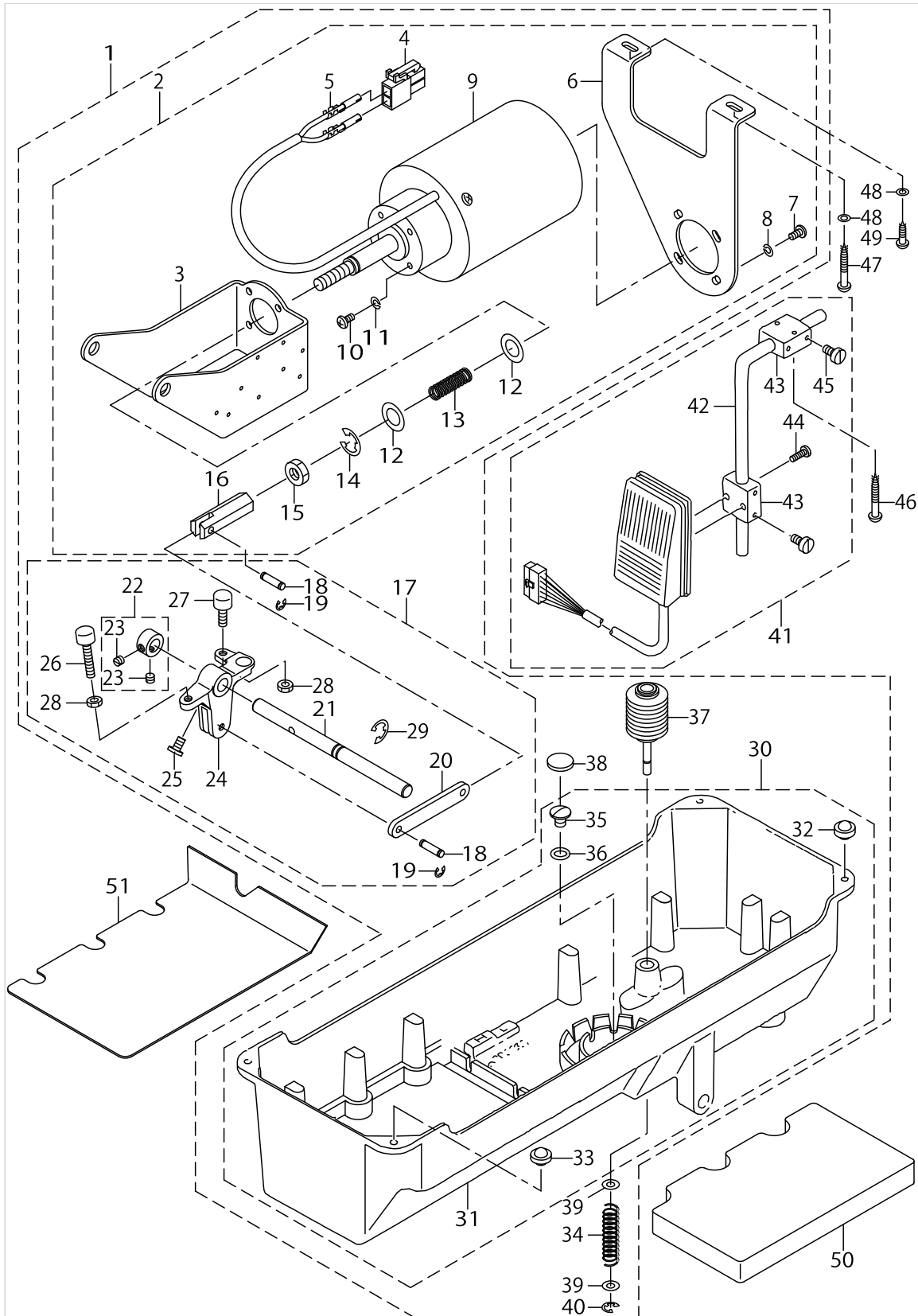
CONTENTS

AK108,AK109	1
HOW TO MAKE USE OF THIS PARTS LIST	5



AK108,AK109

No.	Supply Code	Parts No.	Replacement	Parts name	Remarks	Choice	Step	Level	Cons	Qty	Rep. QTY
1		GAKA08010A0		PRESSER LIFTING SOLENOID ASM.						1	
2		GAKA08020A0		PRESSER LIFTING SOLENOID ASM.				*		1	
3	D	GAK01013000		SOLENOID INSTALL- ING BRACKET B				*		1	
4		HK034610020		2-POLE NYLON PLUG				*		1	
5		HK03464000B		PIN CONTACT				*		2	
6	D	GAK11001000		SOLENOID INSTALL- ING BRACKET A				*		1	
7	R	SM4051001SB	SM4051001SN	SCREW M5X0.8 L=10				*		4	1.00
8	R	WS0511302KB	WS0511302KN	SPRING WASHER M5				*		4	1.00
9	D	GAKA0803000		PRESSER LIFTING SOLENOID				*		1	
10	R	SM4051001SB	SM4051001SN	SCREW M5X0.8 L=10				*		4	1.00
11	R	WS0511302KB	WS0511302KN	SPRING WASHER M5				*		4	1.00
12		GAK01018000		THRUST WASHER				*		2	
13	D	GAK01017000		SPRING				*		1	
14		RE1200000K0		E-RING 12				*		1	
15		NM6100663SE		NUT M10				*		1	
16	D	GAK01019000		KNUCLE				*		1	
17		GAKA08040A0		PRESSER LIFTING LEVER ASM.				*		1	
18		MAO12002000		PEDAL SWITCH FRAME STUD				*		2	
19		RE0320000K0		E-RING 3.2				*		4	
20		GAK04004000		LEVER CONNECTING ROD				*		1	
21		GAK01001000		PRESSER LIFTING SHAFT				*		1	
22		CS111101DSH		THRUST COLLAR A- SM. D=11.11 W=1				*		1	
23		SS8660530TP		SCREW 1/4-40 L= 4.5				*		2	
24	D	GAK30015000		PRESSER LIFTING LEVER				*		1	
25		SS7151210SP		SCREW 15/64-28L=12				*		1	
26		GAK01003B00		PRESSER LIFTER STOPPER B				*		1	
27		GAK01003A00		PRESSER LIFTER STOPPER A				*		1	
28		NM6060003SC		NUT M6				*		2	
29		B3426552000		THRUST RING				*		2	
30		10162154		OIL RESERVOIR ASM.				*		1	
31		10162105		OIL RESERVOIR				*		1	
32		10162600		RUBBER CUSHION				*		2	
33		11047107		RUBBER CUSHION				*		2	
34		GAK30005000		SPRING				*		1	
35		SM0081001SD		SCREW				*		1	
36		RO098240100		RUBBER RING				*		1	
37		GAK300010B0		KNEE PRESS LIFTER ROD ASM.				*		1	
38		B8228125000		OIL RESERVOIR MAGNET				*		1	
39		WP0621016SD		WASHER 6.2X13X1				*		2	
40		RE0400000K0		E-RING 4				*		1	
41		GAK840900B0		LIFTER KNEE SWITCH ASM. B				*		1	
42		MAT80231T00		DRIVING BAR, T002				*		1	
43		MAT80230T00		KNEE SWITCH SUPPORT BASE				*		2	
44	R	SS7111410SP	SS7111410TP	SCREW 11/64-40L=14				*		2	1.00
45		SS6151220SP		SCREW 15/64-28 L=11.5				*		4	



AK108,AK109

No.	Supply Code	Parts No.	Replacement	Parts name	Remarks	Choice	Step	Level	Cons	Qty	Rep. QTY
46	R	SK3514000SC	SK3514001SE	WOOD SCREW D=5.1 L=40						2	1.00
47	R	SK3514000SC	SK3514001SE	WOOD SCREW D=5.1 L=40						1	1.00
48		WP0520656SA		WASHER 5.2X9.5X0.6						2	
49	R	SK3482000SC	SK3482001SE	WOOD SCREW D=4.8 L=20						1	1.00
50		10162501		OIL RESERVOIR SPACER, A						1	
51		10162402		DUST COVER	FOR JE					1	

HOW TO MAKE USE OF THIS PARTS LIST

1.As to "#01" and "#02" refer to the "Note" given at the bottom of the respective pages.

2.Codes on the "Qty" column

- Each numeral indicates the number of parts required.
- "0.1" and "2.5" indicate the length (in meters) of the respective parts.

3.Parentheses mean that the corresponding part is a subpart that constructs an assembly part.

4.Dotted lines on the Figures indicate assembly parts.

1. リストページの# 0 1、# 0 2の印は、ページ下の"注記"の説明を参照下さい。
2. 数量欄の数字は、個数を表し、0. 1、2. 5等の数値は、長さ（単位メートル）を表します。
3. 数量欄の（ ）は、組部品を構成している子部品であることを意味します。
4. イラストページの-----枠は、組構成であることを意味します。

TABLE OF UNIT COMBINATIONS ユニット組み合わせ表		
	○	○
	○	○
AK-108(GAKA08010B0)	○	○
AK-109(GAKA09010B0)	○	○

NUMERICAL INDEX OF PARTS

PART NO	PAGE	REF NO.	PART NO	PAGE	REF NO.
10162105	2	31	WP0520656SA	4	48
10162154	2	30	WP0621016SD	2	39
10162402	4	51	WS0511302KB	2	11
10162501	4	50			
10162600	2	32			
11047107	2	33			
B3426552000	2	29			
B8228125000	2	38			
CS111101DSH	2	22			
GAK01001000	2	21			
GAK01003A00	2	27			
GAK01003B00	2	26			
GAK01013000	2	3			
GAK01017000	2	13			
GAK01018000	2	12			
GAK01019000	2	16			
GAK04004000	2	20			
GAK11001000	2	6			
GAK300010B0	2	37			
GAK30005000	2	34			
GAK30015000	2	24			
GAK840900B0	2	41			
GAKA08010A0	2	1			
GAKA08020A0	2	2			
GAKA0803000	2	9			
GAKA08040A0	2	17			
HK034610020	2	4			
HK03464000B	2	5			
MAO12002000	2	18			
MAT80230T00	2	43			
MAT80231T00	2	42			
NM6060003SC	2	28			
NM6100663SE	2	15			
RE0320000K0	2	19			
RE0400000K0	2	40			
RE1200000K0	2	14			
RO098240100	2	36			
SK3482000SC	4	49			
SK3514000SC	4	47			
SM0081001SD	2	35			
SM4051001SB	2	10			
SS6151220SP	2	45			
SS7111410SP	2	44			
SS7151210SP	2	25			
SS8660530TP	2	23			