

BATTERY CABINETS

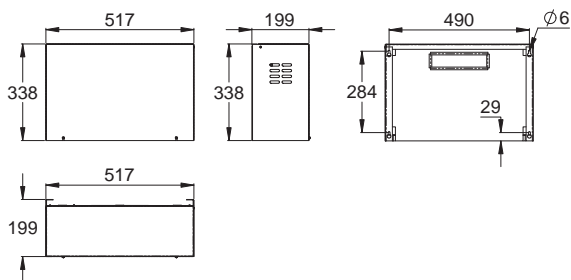


If the central battery system does not have its own battery space, it always needs a separate battery cabinet or several battery cabinets, depending on the size and/or number of batteries.

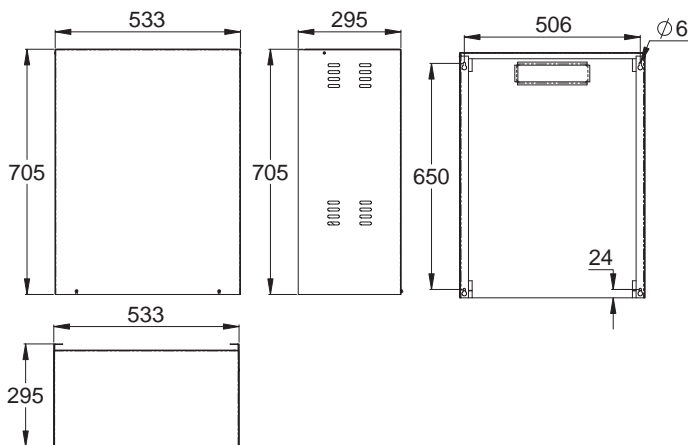
Product code	Battery capacity	Protection rating	Weight (kg)
TK2300	2 x 12 V / 38 Ah	IP20	6,3
TK2310	2 x 12 V / 150 Ah	IP20	15,5
TK4100	2 x 12 V / 65 Ah	IP20	10,0
TK6500B	18 x 12 V / 15 Ah	IP20	14,0
TK6500BP	18 x 12 V / 15 Ah	IP34	19,0
TKT6500	6 x 12 V / 100 Ah	IP20	28,0
TKT6500P	6 x 12 V / 100 Ah	IP34	35,0



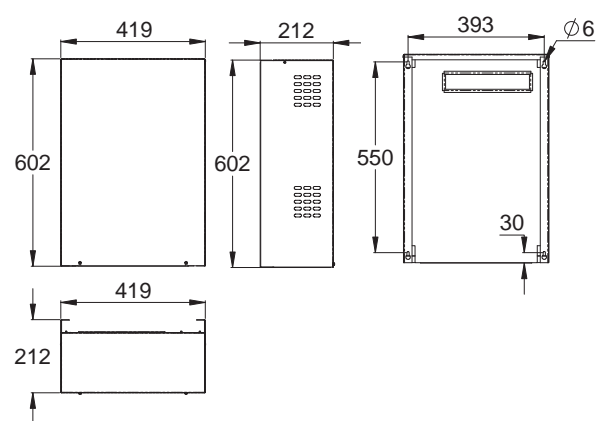
BATTERY CABINET TK2300



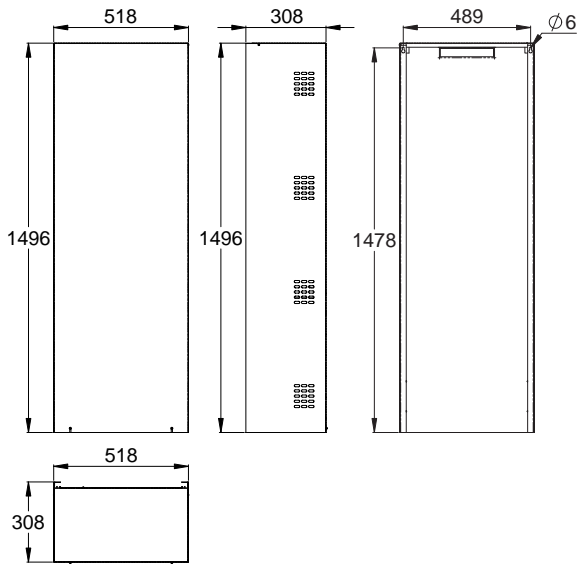
BATTERY CABINET TK2310



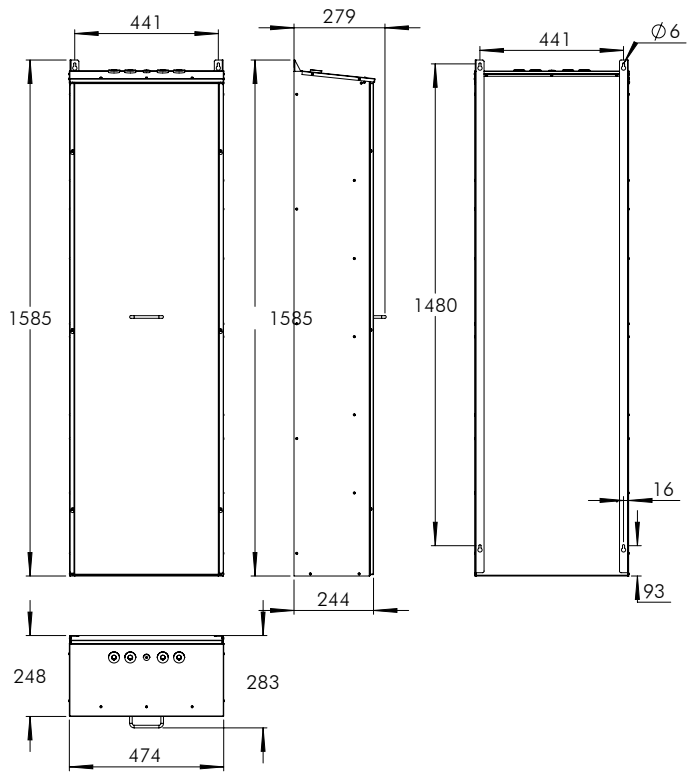
BATTERY CABINET TK4100



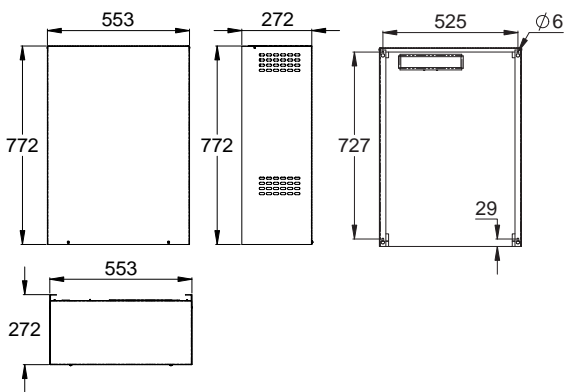
BATTERY CABINET TKT6500



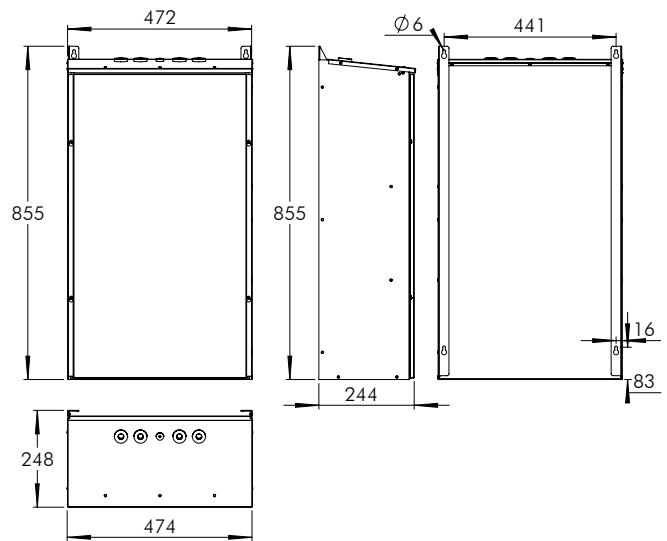
BATTERY CABINET TKT6500P



BATTERY CABINET TK6500B

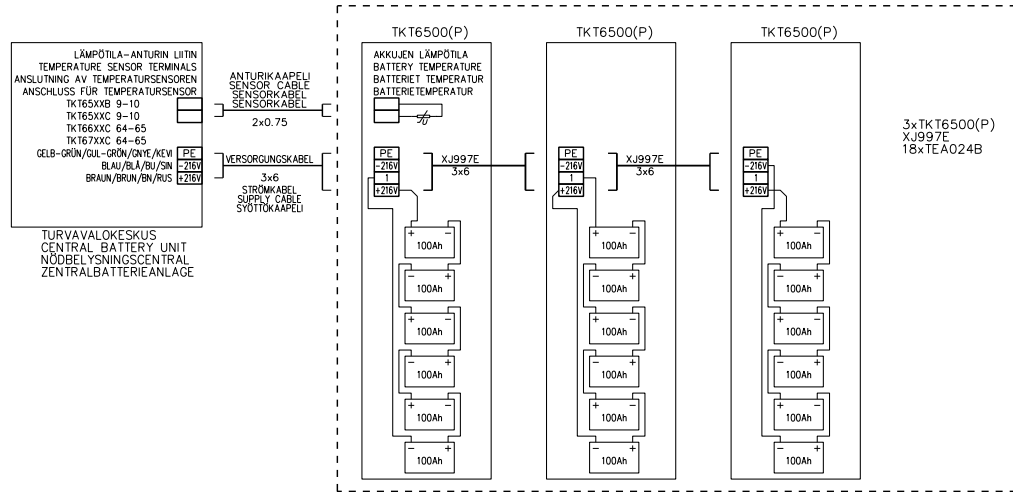


BATTERY CABINET TK6500BP

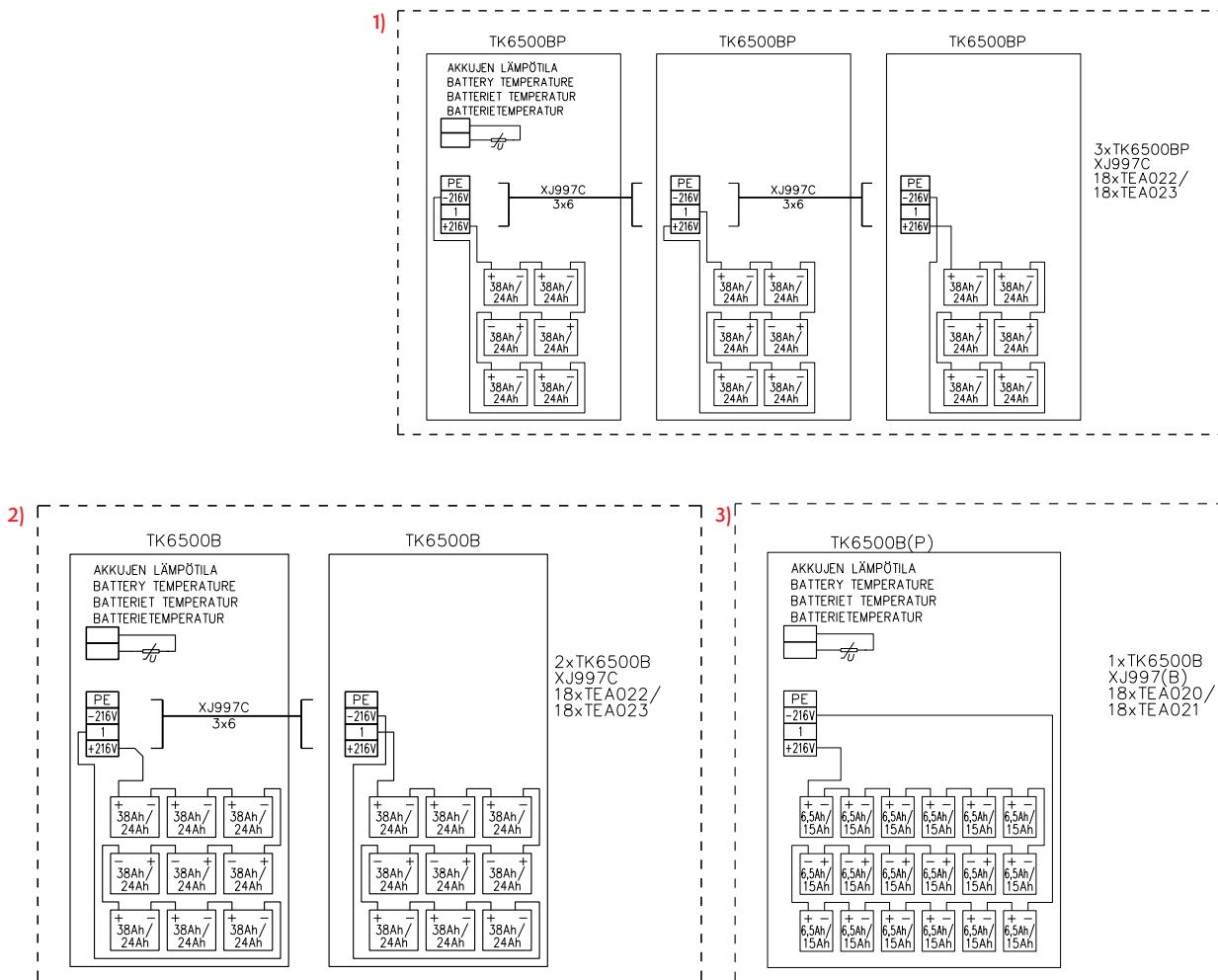


PLACEMENT OF BATTERIES IN BATTERY CABINETS

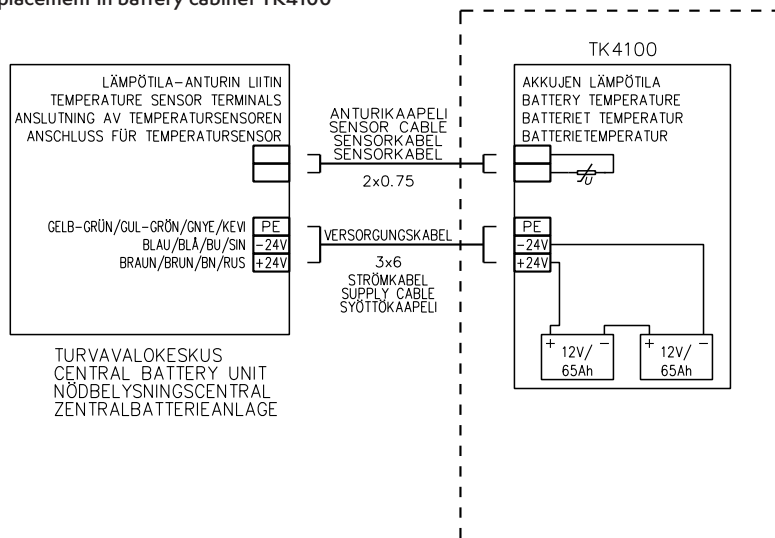
Example of battery placement in battery cabinets TKT6500(P)



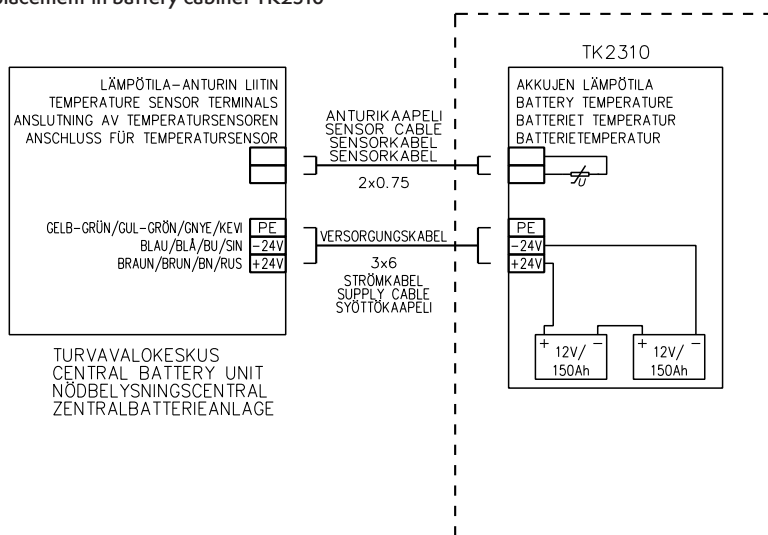
Example of battery placement in battery cabinets TK6500B(P)



Example of battery placement in battery cabinet TK4100



Example of battery placement in battery cabinet TK2310



Example of battery placement in battery cabinet TK2300

