

MODEL : LZ-2288

List No : 1095-01

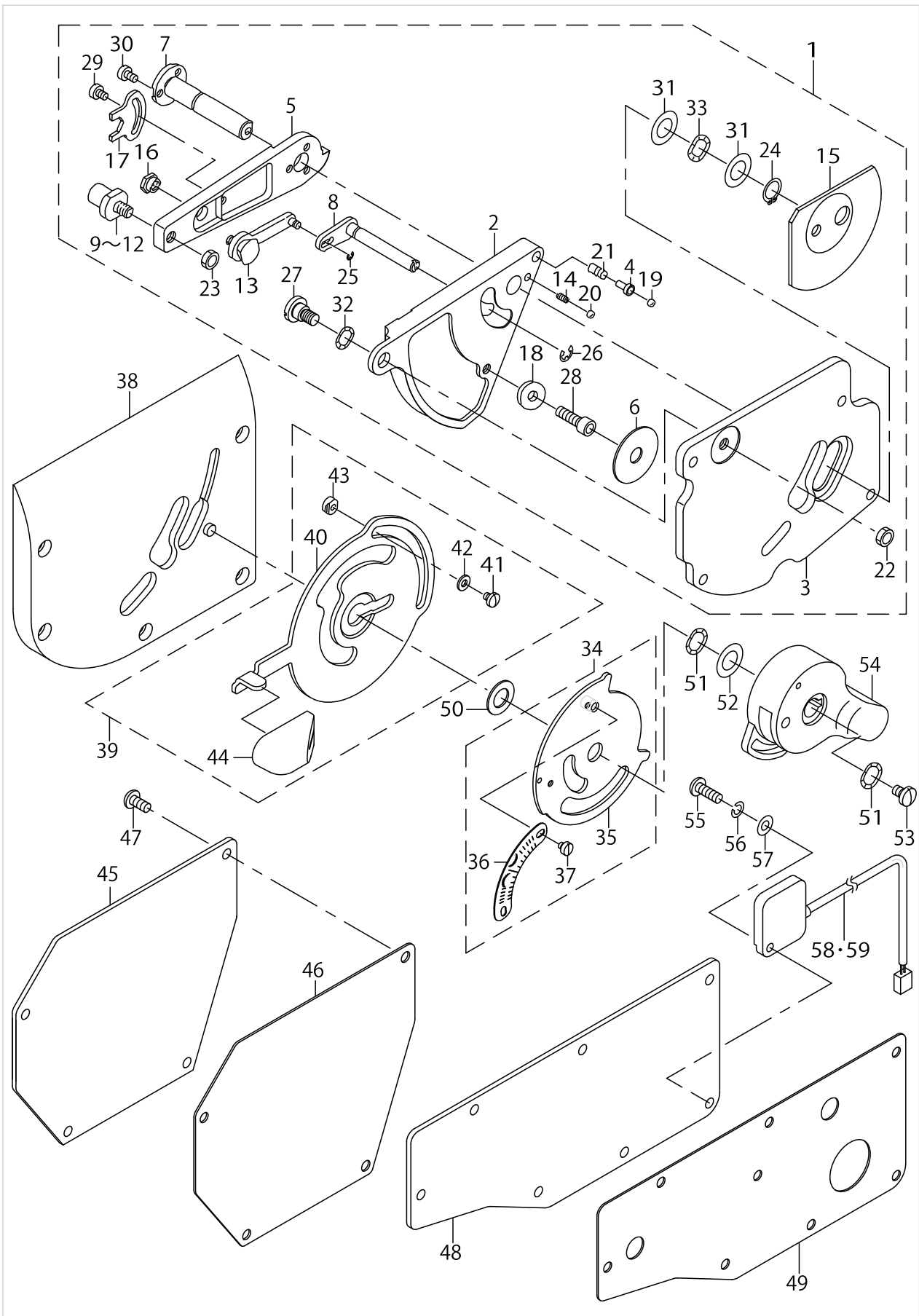
PARTS LIST

Published:05/12/2017

CONTENTS

EXCLUSIVE PARTS FOR LZ-2288	1
EXCLUSIVE PARTS FOR LZ-2288	5
SPECIFICATIONS.....	9
HOW TO MAKE USE OF THIS PARTS LIST	10

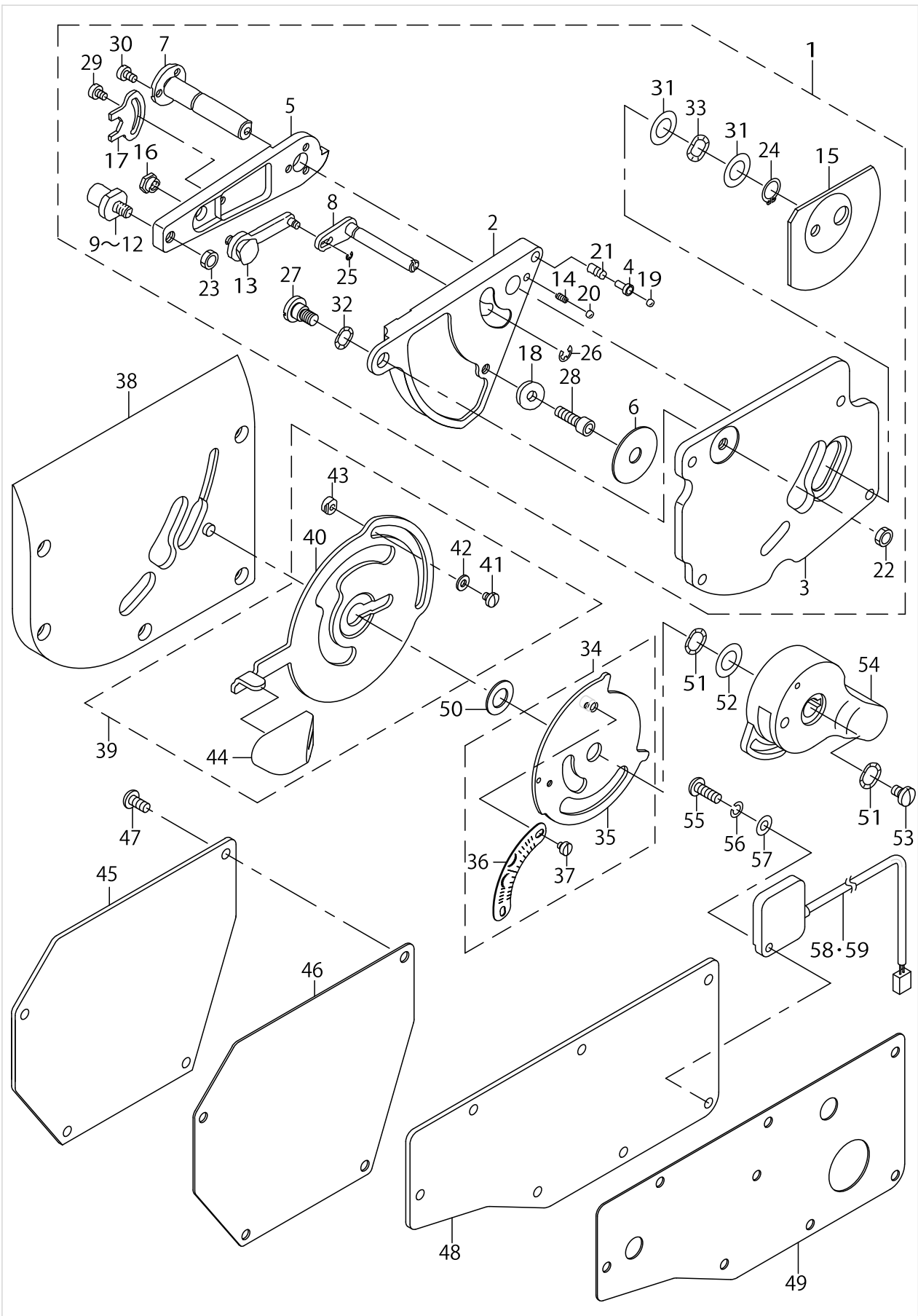
EXCLUSIVE PARTS FOR LZ-2288



EXCLUSIVE PARTS FOR LZ-2288

No.	Supply Code	Parts No.	Replacement	Parts name	Remarks	Choice	Step	Level	Cons	Qty	Rep. QTY
1		22572853		POSITION CHANGE BASE ASM.						1	
2	R	22572804	26319103	NEEDLE POSITION CHANGE BASE				*		1	1.00
3		22572903		POSITION CHANGE FITTING PLATE				*		1	
4		22573307		STOPPER				*		1	
5	R	22573406	26312306	MOUNTING ADJUSTMENT ARM				*		1	1.00
6		22573505		FITTING SCREW PACKING				*		1	
7	R	22512701	26307306	SHAFT				*		1	1.00
8		10015360		LEVER ASM.				*		1	
9		10016210		SHAFT	SELECTIVE PARTS			*		1	
10		10016319		SHAFT	SELECTIVE PARTS			*		1	
11		10016418		SHAFT	SELECTIVE PARTS			*		1	
12		10016517		SHAFT	SELECTIVE PARTS			*		1	
13		10017168		STOPPER ASM.				*		1	
14		10017408		SPRING				*		1	
15		10017606		OIL SHIELD				*		1	
16		10018000		NUT				*		1	
17		10018109		NUT STOPPER				*		1	
18	R	B1430761000	40009109	ROLLER				*		1	1.00
19		B2608761000		HAND STOP CRANK SHAFT BALL				*		1	
20		B2608761000		HAND STOP CRANK SHAFT BALL				*		1	
21		MAT02106000		SPRING				*		1	
22		NS6150310SP		NUT 15/64-28				*		1	
23		NS6150310SP		NUT 15/64-28				*		1	
24		RC0100001KP		SNAP RING M10				*		1	
25		RE0200000K0		E-RING				*		1	
26		RE0400000K0		E-RING 4				*		1	
27		SD0800402TP		HINGE SCREW D= 8 H= 4				*		1	
28		SM6051602TP		SCREW M5X0.8 L=16				*		1	
29		SS6090520SP		SCREW 9/64-40 L=5.0				*		1	
30	R	SS6090620SP	SS6090620TP	SCREW 9/64-40 L=6				*		3	1.00
31		WP1020616SD		WASHER				*		2	
32		WZ0850302K0		WAVED WASHER 8.5X12.5X0.3				*		3	
33		WZ1052010KP		WAVED WASHER				*		1	
34		22573166		SCALE MOUNTING ASM.						1	
35	D	22573158		SCALE FITTING PLATE COMPL.				*		1	
36	D	22573000		SCALE MOUNTING				*		1	
37		SS6080320SP		SCREW 1/8-44 L= 2.5				*		2	
38		22568356		ARM SIDE COVER						1	
39		22573257		POSITION CHANGE LEVER COMPL.						1	
40		22573208		NEEDLE POSITION CHANGE LEVER				*		1	
41		SS7090410SP		SCREW 9/64-40 L=3.5				*		2	
42		WP0371016SD		WASHER 3.7X8X1				*		2	
43		10015907		LEVER STOPPER				*		2	
44		22512602		KNOB				*		1	
45		22568109		CAM COVER						1	

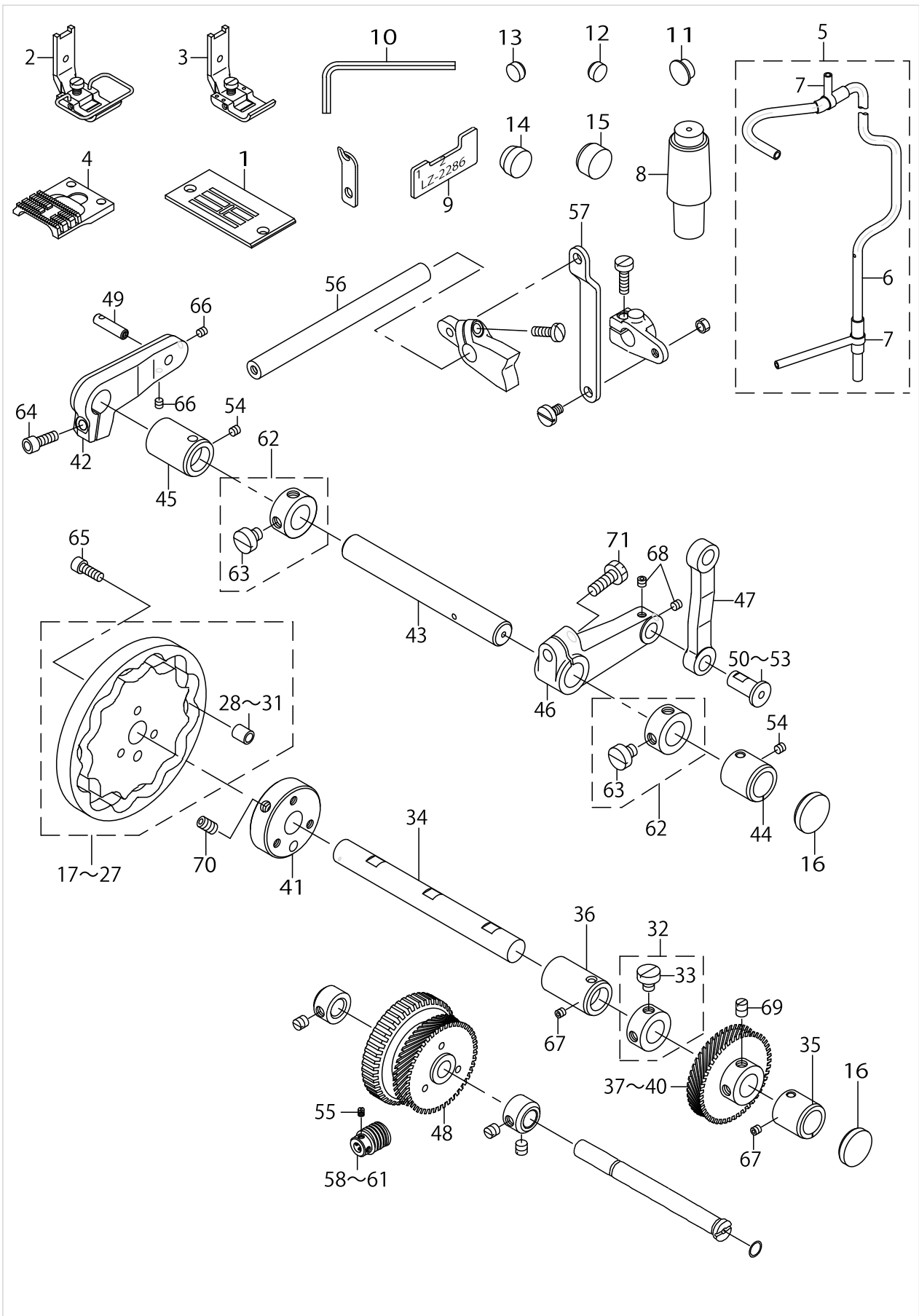
EXCLUSIVE PARTS FOR LZ-2288



EXCLUSIVE PARTS FOR LZ-2288

No.	Supply Code	Parts No.	Replacement	Parts name	Remarks	Choice	Step	Level	Cons	Qty	Rep. QTY
46		22568208		CAMCOVERPACKING						1	
47		SS4121015SP		SCREW 3/16-28 L=10						4	
48		22567903		WINDOW PLATE						1	
49		22568000		WINDOW PLATE PACKING						1	
50		WP1021016SD		WASHER						1	
51		WZ1052010KP		WAVED WASHER						2	
52		WP1020616SD		WASHER						1	
53		SS7620750SP		SCREW 3/16-32L=6.5						1	
54	R	22512107	22512156	KNOB						1	1.00
55		SS4121415SP		SCREW 3/16-28 L=14	FOR LZ-2288-7					1	
56		WS0510002KP		SPRING WASHER 5.1X9.2X1.3	FOR LZ-2288-7					1	
57		WP0501016SD		WASHER 5X10.5X1	FOR LZ-2288-7					1	
58		M6094350AAL		RESISTANCE PACK AL ASM.	FOR LZ-22-88-7 NO NECESSARY PART ACCORDING TO DESTINATIONS					1	
59		M6094350AAF		RESISTANCE PACK AF ASM.	FOR LZ-22-88-7 NO NECESSARY PART ACCORDING TO DESTINATIONS					1	

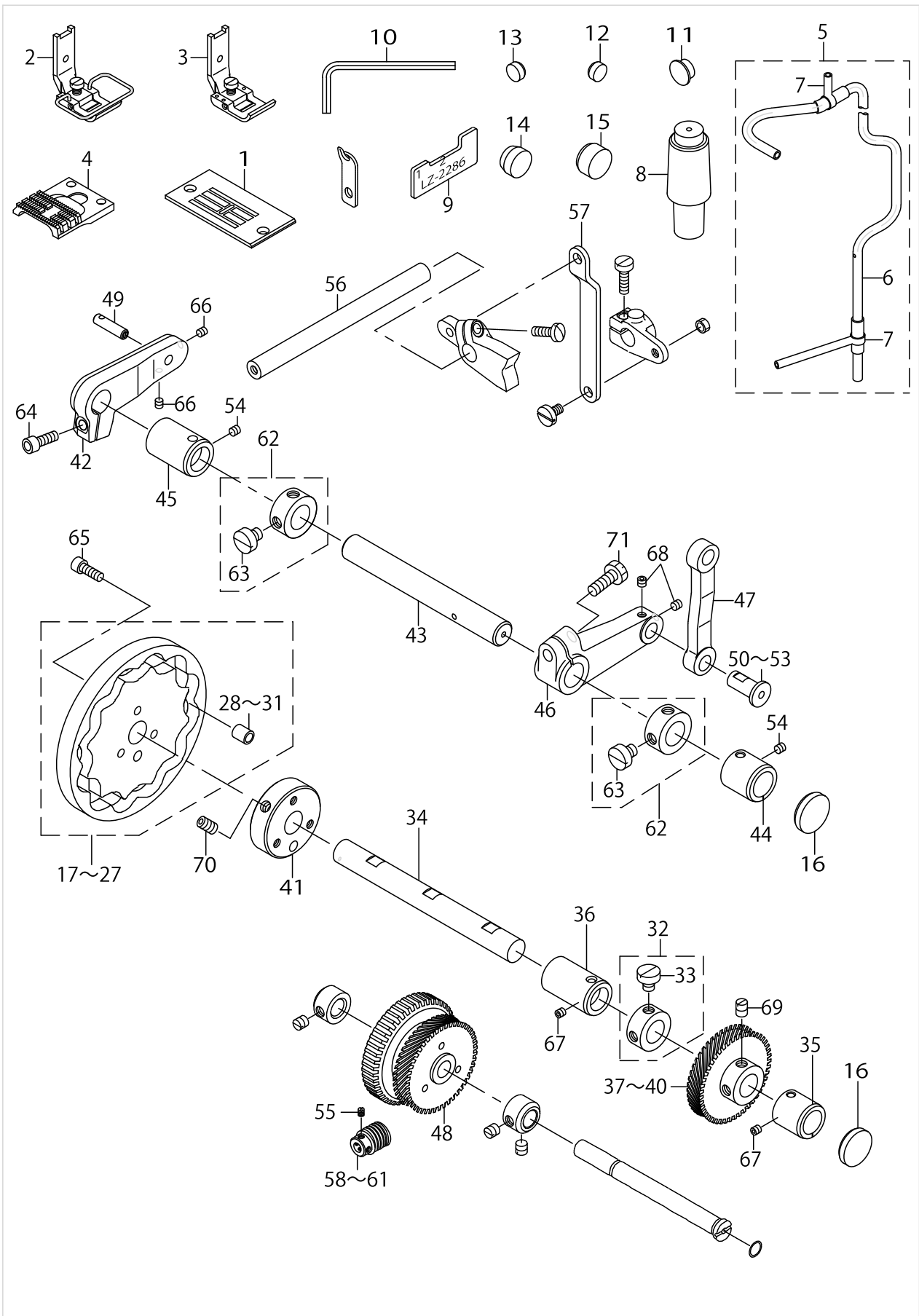
EXCLUSIVE PARTS FOR LZ-2288



EXCLUSIVE PARTS FOR LZ-2288

No.	Supply Code	Parts No.	Replacement	Parts name	Remarks	Choice	Step	Level	Cons	Qty	Rep. QTY
1	R	22581409	22582407	THROAT PLATE						1	1.00
2		22580864		PRESSER ASM.	NO NECESSARY PART ACCORDING TO DESTINATIONS					1	
3		10055069		PRESSER A ASM.	NO NECESSARY PART ACCORDING TO DESTINATIONS					1	
4		22581508		FEED						1	
5		22574156		ARM SHAFT OIL PIPE ASM.						1	
6		22574107		ARM SHAFT OIL PIPE				*		1	
7		B3527552000		RUBBER JOINT				*		2	
8	D	22574255		HEAD SUPPORT ROD ASM.						1	
9		22586705		TIMING GAUGE						1	
10		17348905		SOCKETSCREWKEYS						1	
11		TA1050504R0		RUBBER PLUG						1	
12		TA0980502R0		RUBBER PLUG						4	
13		TA0980502R0		RUBBER PLUG						2	
14		TA1550902R0		PLUG						1	
15		TA1701002R0		RUBBER PLUG						1	
16		TA2200502R0		RUBBER PLUG						2	
17	D	22568851		CAM A ASM.	FOR LZ-2288A					1	
18	D	22568950		CAM B ASM.	FOR LZ-2288B					1	
19	D	22569057		CAM C ASM.	FOR LZ-2288C					1	
20	D	22569156		CAM D ASM.	FOR LZ-2288D					1	
21	D	22569255		CAM E ASM.	FOR LZ-2288E					1	
22		22569354		NEEDLE VIBRATING CAM ASM. F	FOR LZ-2288F			*		1	
23		22569453		NEEDLE VIBRATING CAM ASM. G	FOR LZ-2288G			*		1	
24		22569552		NEEDLE VIBRATING CAM ASM. H	FOR LZ-2288H			*		1	
25	D	22569651		NEEDLE VIBRATING CAM ASM. J	FOR LZ-2288J			*		1	
26		22569750		NEEDLE VIBRATING CAM ASM. K	FOR LZ-2288K			*		1	
27		22569859		NEEDLE VIBRATING CAM ASM. L	FOR LZ-2288L			*		1	
28		22571103		CAM ROLLER A	SELECTIVE PARTS			*		1	
29		22571202		CAM ROLLER B	SELECTIVE PARTS			*		1	
30		22571301		CAM ROLLER C	SELECTIVE PARTS			*		1	
31		22571400		CAM ROLLER D	SELECTIVE PARTS			*		1	
32	D	CS140111ATH		THRUST COLLAR A-ASM. D=14 W=10.5						1	
33		SS6660710TP		SCREW 1/4-40 L=7				*		2	
34		22570006		CAM SHAFT						1	
35	D	22570105		CAM SHAFT METAL A						1	
36	D	22570204		CAM SHAFT BUSHING, B						1	
37		22570303		CAM SHAFT GEAR A	SELECTIVE PARTS					1	
38	D	22570402		CAM SHAFT GEAR B	SELECTIVE PARTS					1	
39		22570501		CAM SHAFT GEAR B	SELECTIVE PARTS					1	
40	D	22570600		CAM SHAFT GEAR D	SELECTIVE PARTS					1	
41		22570758		CAMHOLDERCOMPL.						1	







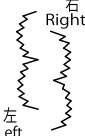
EXCLUSIVE PARTS FOR LZ-2288

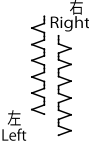
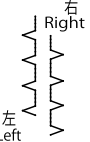
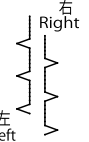
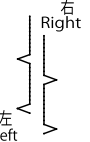


EXCLUSIVE PARTS FOR LZ-2288

No.	Supply Code	Parts No.	Replacement	Parts name	Remarks	Choice	Step	Level	Cons	Qty	Rep. QTY
42		22570907		CAM ARM						1	
43	D	22571509		DRIVING SHAFT						1	
44		22571608								1	
45	D	22571707		DRIVING SHAFT METAL B						1	
46		22571806		DRIVING ARM						1	
47		22571905		DRIVING ROD						1	
48	D	22572457		WORM WHEEL COMPL.						1	
49	D	22571004		CAM ROLLER SHAFT						1	
50		22572002		DRIVING PIN A	SELECTIVE PARTS					1	
51		22572101		DRIVING PIN B	SELECTIVE PARTS					1	
52		22572200		DRIVING PIN C	SELECTIVE PARTS					1	
53		22572309		DRIVING PIN D	SELECTIVE PARTS					1	
54		SS8110422TP		SCREW 11/64-40 L=4						2	
55		SS8660610TP		SCREW 1/4-40 L=6						4	
56	R	22573802	26312405	SHAFT						1	1.00
57	D	22573901		FEEDER CHANGE LINK A						1	
58	D	10053007		WORM ASM. A	SELECTIVE PARTS					1	
59	D	10053106		WORM B	SELECTIVE PARTS					1	
60	D	10053205		WORM	SELECTIVE PARTS					1	
61	D	10053304		WORM	SELECTIVE PARTS					1	
62	D	CS140111ATH		THRUST COLLAR A- SM. D=14 W=10.5						2	
63		SS6660710TP		SCREW 1/4-40 L=7				*		4	
64		SM6051402TP		SCREW M5X0.8 L=14						1	
65		SM6051402TP		SCREW M5X0.8 L=14						3	
66		SM8040402TP		SCREW M4X0.7 L=4						2	
67		SS8110422TP		SCREW 11/64-40 L=4						2	
68		SS8110422TP		SCREW 11/64-40 L=4						2	
69		SS8660810TP		SCREW 1/4-40 L=8						2	
70		SS8661012TP		SCREW						2	
71		SS9151740CP		SCREW 15/64-28L=17						1	

SPECIFICATIONS

模様名 Pattern name	2点千鳥 Standard zigzag	4点千鳥 3-step zigzag	3点千鳥 2-step zigzag	標準スカラップ Standard scallop	三日月スカラップ Lunette scallop	等巾スカラップ Constant-width scallop	等巾スカラップ Constant-width scallop
品番 Part No.	22568851	22568950	22569057	22569156	22569255	22569354	22569453
品名 Part Name	針振りか A Needle rocking cam A	針振りか B Needle rocking cam B	針振りか C Needle rocking cam C	針振りか D Needle rocking cam D	針振りか E Needle rocking cam E	針振りか F Needle rocking cam F	針振りか G Needle rocking cam G
最大針振り巾 Max.zigzag width	6.0	8.0	8.0	8.0	8.0	8.0	8.0
最大模様巾 Max.pattern width	-	-	-	2.4	3.6	3.4	2.4
パターン針数 Number of stitches for a pattern	2	6	4	24	24	24	12
ステッチ パターン Stitch pattern							

ブラインド ステッチ Blind stitch	ブラインド ステッチ Blind stitch	ブラインド ステッチ Blind stitch	ブラインド ステッチ Blind stitch
22569552	22569651	22569750	22569859
針振りか H Needle rocking cam H	針振りか J Needle rocking cam J	針振りか K Needle rocking cam K	針振りか L Needle rocking cam L
6.0	6.0	6.0	6.0
-	-	-	-
4	6	8	12
			

HOW TO MAKE USE OF THIS PARTS LIST

1.As to "#01" and "#02" refer to the "Note" given at the bottom of the respective pages.

2.Codes on the "Qty" column

- Each numeral indicates the number of parts required.
- "0.1" and "2.5" indicate the length (in meters) of the respective parts.

3.Parentheses mean that the corresponding part is a subpart that constructs an assembly part.

4.Dotted lines on the Figures indicate assembly parts.

1. リストページの# 0 1、# 0 2の印は、ページ下の"注記"の説明を参照下さい。
2. 数量欄の数字は、個数を表し、0. 1、2. 5等の数値は、長さ（単位メートル）を表します。
3. 数量欄の（ ）は、組部品を構成している子部品であることを意味します。
4. イラストページの-----枠は、組構成であることを意味します。

NUMERICAL INDEX OF PARTS

PART NO	PAGE	REF NO.	PART NO	PAGE	REF NO.	PART NO	PAGE	REF NO.
10015360	2	8	22571004	8	49	RE0200000K0	2	25
10015907	2	43	22571103	6	28~31	RE0400000K0	2	26
10016210	2	9~12	22571202	6	28~31	SD0800402TP	2	27
10016319	2	9~12	22571301	6	28~31	SM6051402TP	8	65
10016418	2	9~12	22571400	6	28~31	SM6051602TP	2	28
10016517	2	9~12	22571509	8	43	SM8040402TP	8	66
10017168	2	13	22571608	8	44	SS4121015SP	4	47
10017408	2	14	22571707	8	45	SS4121415SP	4	55
10017606	2	15	22571806	8	46	SS6080320SP	2	37
10018000	2	16	22571905	8	47	SS6090520SP	2	29
10018109	2	17	22572002	8	50~53	SS6090620SP	2	30
10053007	8	58~61	22572101	8	50~53	SS6660710TP	6	63
10053106	8	58~61	22572200	8	50~53	SS6660710TP	8	63
10053205	8	58~61	22572309	8	50~53	SS7090410SP	2	41
10053304	8	58~61	22572457	8	48	SS7620750SP	4	53
10055069	6	3	22572804	2	2	SS8110422TP	8	68
17348905	6	10	22572853	2	1	SS8660610TP	8	55
22512107	4	54	22572903	2	3	SS8660810TP	8	69
22512602	2	44	22573000	2	36	SS8661012TP	8	70
22512701	2	7	22573158	2	35	SS9151740CP	8	71
22567903	4	48	22573166	2	34	TA0980502R0	6	13
22568000	4	49	22573208	2	40	TA1050504R0	6	11
22568109	2	45	22573257	2	39	TA1550902R0	6	14
22568208	4	46	22573307	2	4	TA1701002R0	6	15
22568356	2	38	22573406	2	5	TA2200502R0	6	16
22568851	6	17~27	22573505	2	6	WP0371016SD	2	42
22568950	6	17~27	22573802	8	56	WP0501016SD	4	57
22569057	6	17~27	22573901	8	57	WP1020616SD	2	52
22569156	6	17~27	22574107	6	6	WP1020616SD	4	52
22569255	6	17~27	22574156	6	5	WP1021016SD	4	50
22569354	6	17~27	22574255	6	8	WS0510002KP	4	56
22569453	6	17~27	22580864	6	2	WZ0850302K0	2	32
22569552	6	17~27	22581409	6	1	WZ1052010KP	2	51
22569651	6	17~27	22581508	6	4	WZ1052010KP	4	51
22569750	6	17~27	22586705	6	9			
22569859	6	17~27	B1430761000	2	18			
22570006	6	34	B2608761000	2	20			
22570105	6	35	B3527552000	6	7			
22570204	6	36	CS140111ATH	6	62			
22570303	6	37~40	CS140111ATH	8	62			
22570402	6	37~40	M6094350AAF	4	58·59			
22570501	6	37~40	M6094350AAL	4	58·59			
22570600	6	37~40	MAT02106000	2	21			
22570758	6	41	NS6150310SP	2	23			
22570907	8	42	RC0100001KP	2	24			