

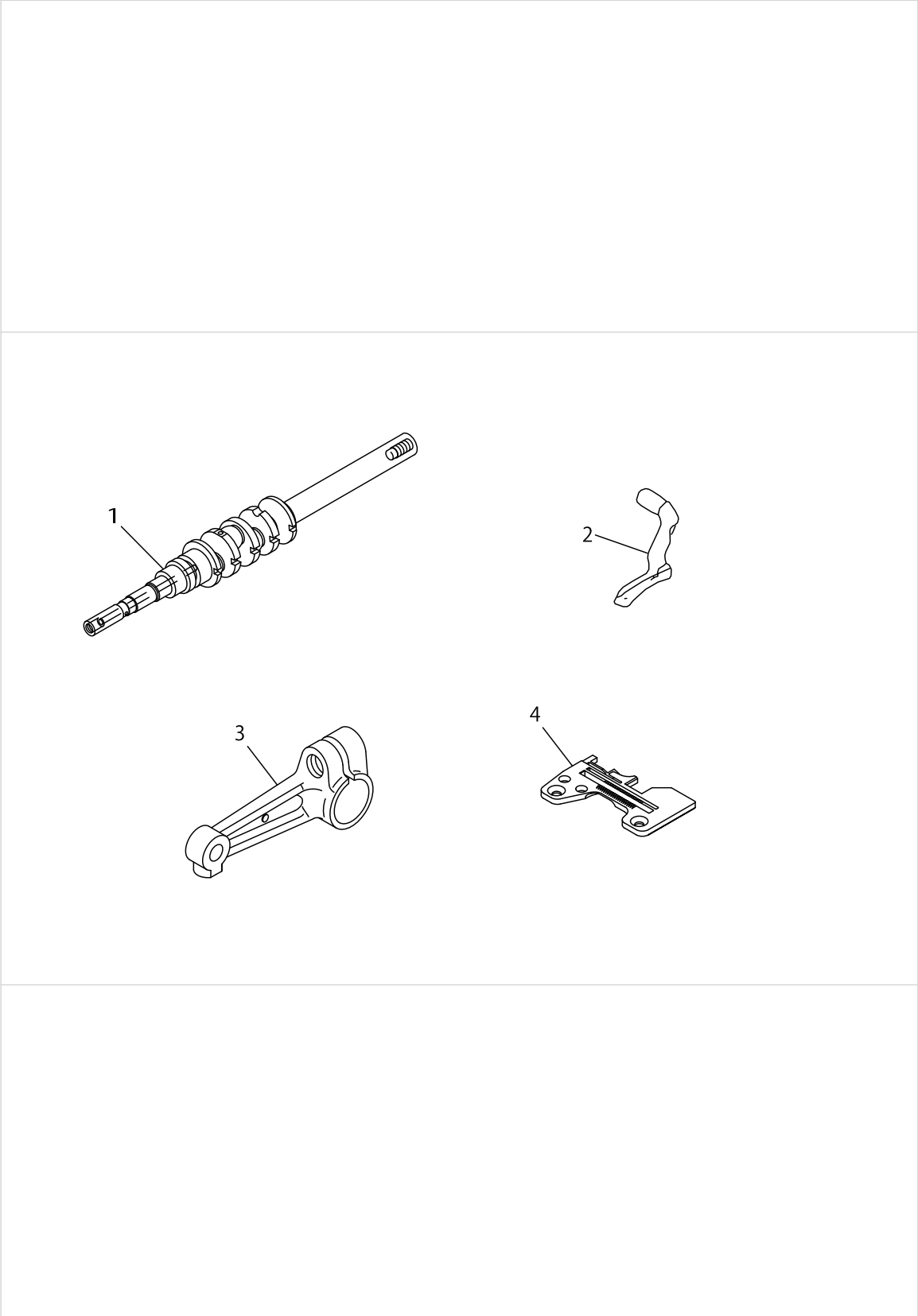
MODEL : MO-3600 SUBCLASSES/MO-3604/MO-3605/MO-3614/MO-3616/
MO-3643/MO-3645
List No : 1100-03

PARTS LIST

Published:05/12/2017

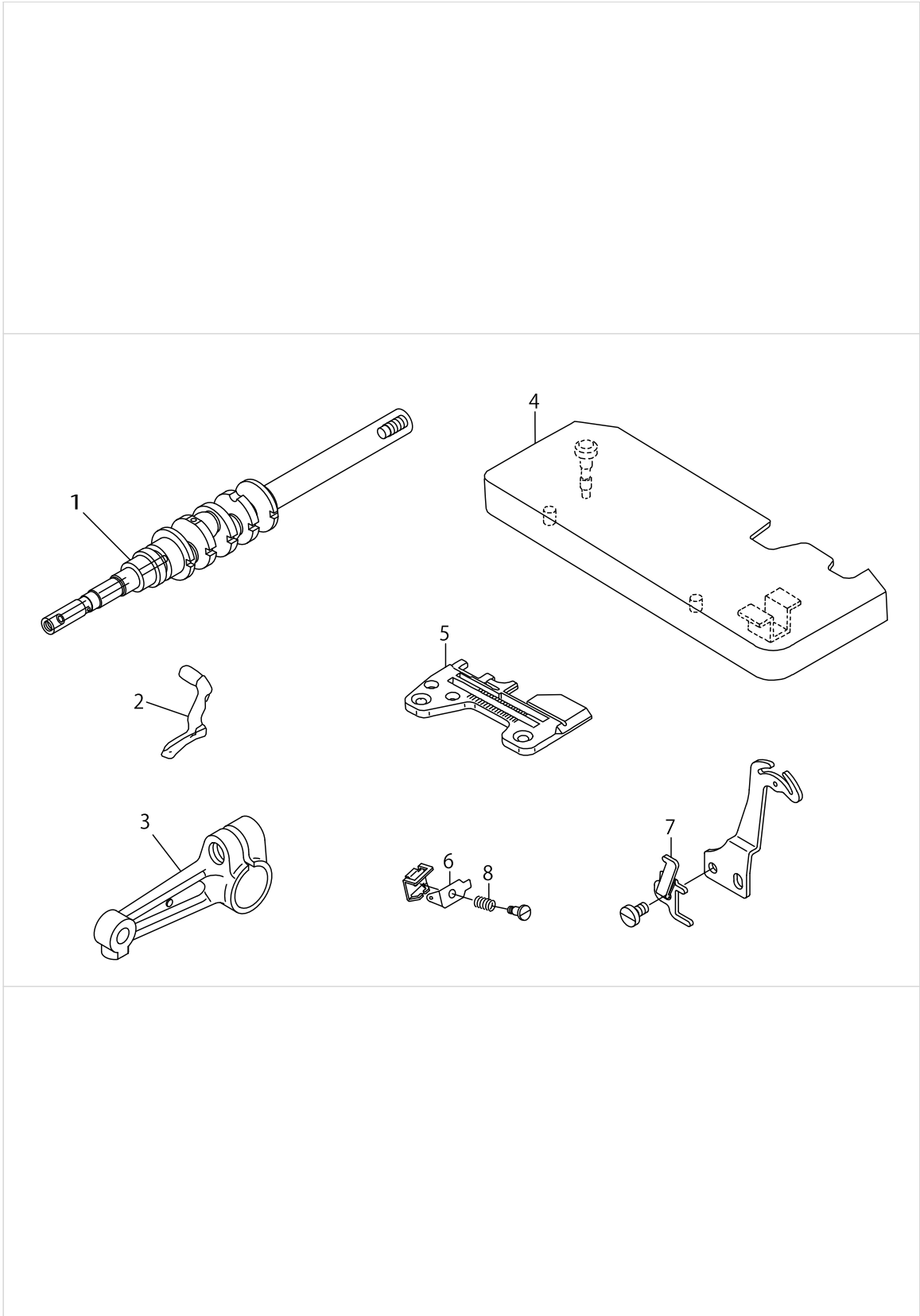
CONTENTS

MO-3604-0E4-40H,MO-3604E-0E4-40H.....	1
MO-3604A-0E4-40H/Z173,MO-3604B-0E4-40H/Z173.....	3
MO-3614-BE6-20H,MO-3614E-BE6-20H.....	5
MO-3614-BE6-40H,MO-3614E-BE6-40H.....	7
MO-3616-DE4-20H,MO-3616E-DE4-20H.....	9
MO-3616-DE4-40H,MO-3616E-DE4-40H.....	11
MO-3616-FF6-40H,MO-3616E-FF6-40H.....	13
MO-3616-FF6-50H, MO-3616E-FF6-50H, MO-3616-FH6-50H, MO-3616E-FH6-50H.....	15
MO-3616-FH6-60H,MO-3616E-FH6-60H.....	17
MO-3643-FBD6-40H,MO-3643E-FBD6-40H.....	19
MO-3604-0A5-150,MO-3604E-0A5-150.....	21
MO-3605-0E4-41H/L121,MO-3605E-0E4-41H/L121.....	23
MO-3605-0E4-210/L121,MO-3605E-210/L121.....	25
MO-3614-BE6-44H/G-38/Q141,MO-3614E-BE6-44H/G-39/Q141.....	27
MO-3645-DD4-360/N077,MO-3645E-DD4-360/N077.....	29
LIST FOR INFORMATION OF CHANGE.....	33
HOW TO MAKE USE OF THIS PARTS LIST.....	34



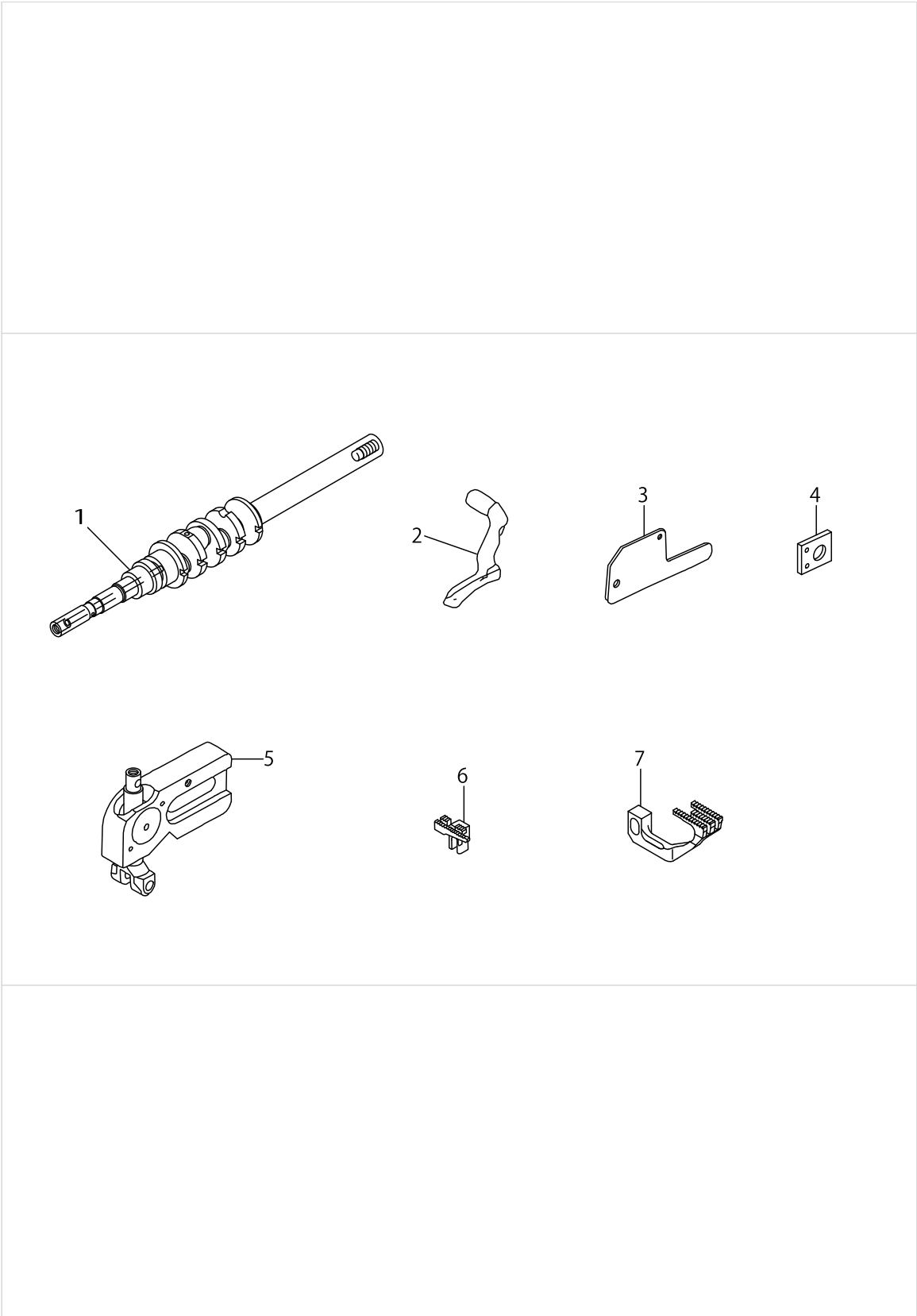
MO-3604-0E4-40H,MO-3604E-0E4-40H

No.	Supply Code	Parts No.	Replacement	Parts name	Remarks	Choice	Step	Level	Cons	Qty	Rep. QTY
1	D	12107207		CRANKSHAFT						1	
2		11991908		UPPER LOOPER						1	
3	D	12284501		LOOPER HOLDER, B						1	
4		R4200J6ED00		THROAT PLATE	FOR JSP					1	



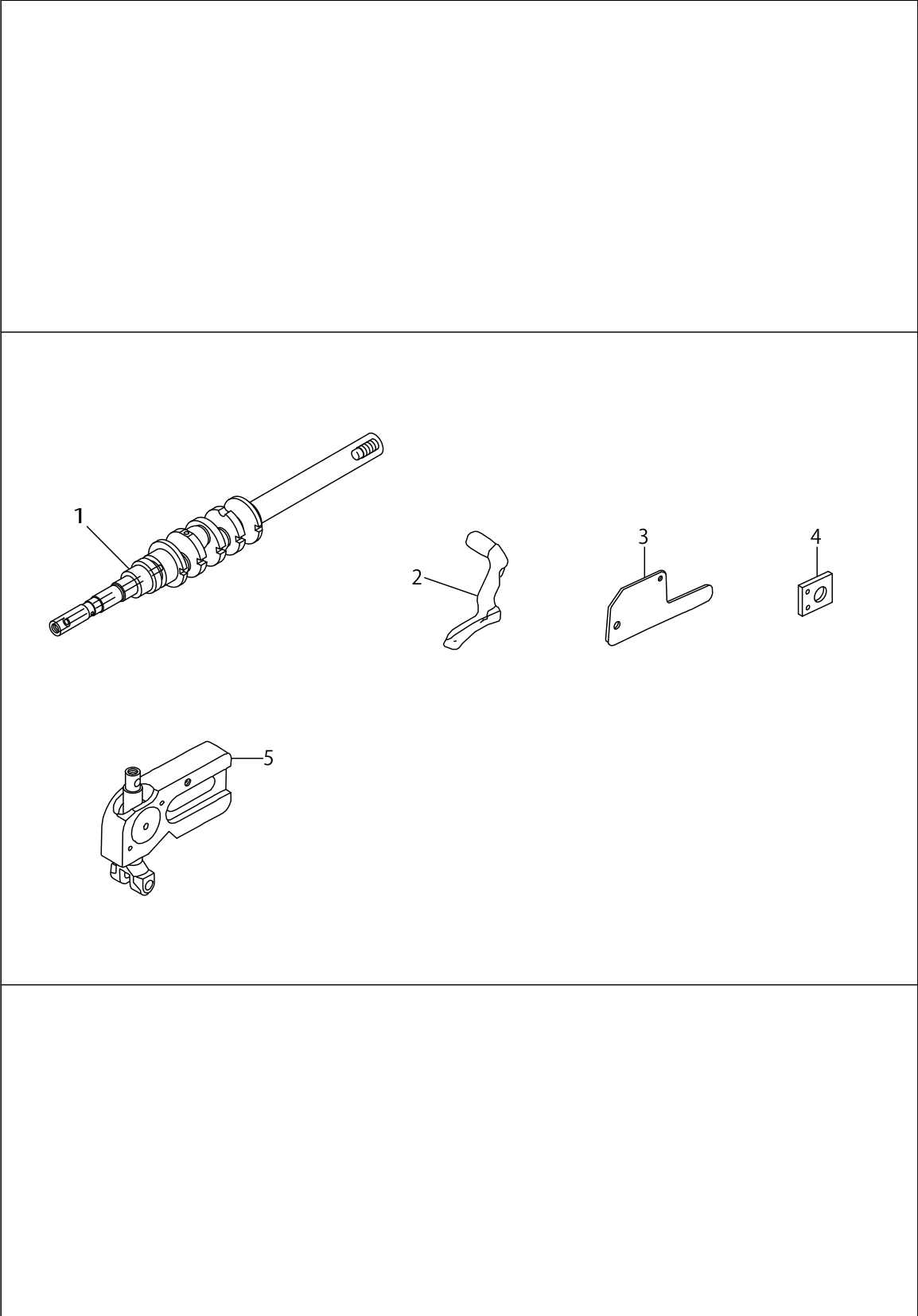
MO-3604A-0E4-40H/Z173,MO-3604B-0E4-40H/Z173

No.	Supply Code	Parts No.	Replacement	Parts name	Remarks	Choice	Step	Level	Cons	Qty	Rep. QTY
1	D	12107207		CRANKSHAFT						1	
2		11991908		UPPER LOOPER						1	
3	D	12284501		LOOPER HOLDER, B						1	
4	R	11948783	11922556	CLOTH PLATE ASM.						1	1.00
5		R4200J2ED00		THROAT PLATE						1	
6		12112504		NEEDLE THREAD P- RESSER PLATE C						1	
7		12112603		DIFFERENTIAL FEED CAM						1	
8		12112702		NEEDLE THREAD P- RESSER SPRING B						1	



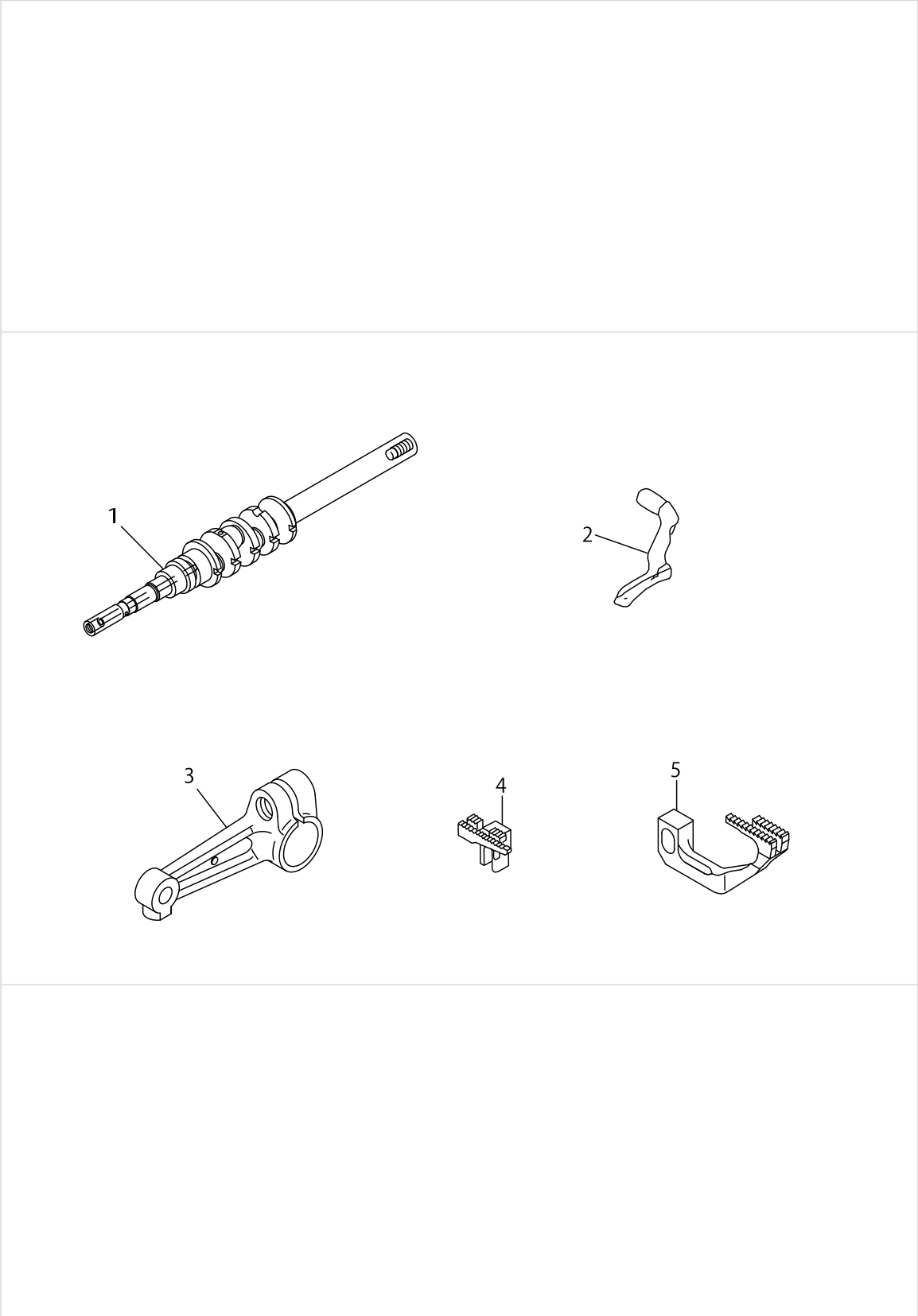
MO-3614-BE6-20H,MO-3614E-BE6-20H

No.	Supply Code	Parts No.	Replacement	Parts name	Remarks	Choice	Step	Level	Cons	Qty	Rep. QTY
1	D	12107207		CRANKSHAFT						1	
2		12176103		UPPER LOOPER						1	
3		11991601		UPPER LOOPER GUIDE COVER						1	
4	R	11991809	13132006	GAUGE						1	1.00
5	R	12254157	40015637	UPPER LOOPER GUIDE A ASM.						1	1.00
6		12171500		MAIN FEED DOG						1	
7		12172003		DIFF,FEED DOG						1	



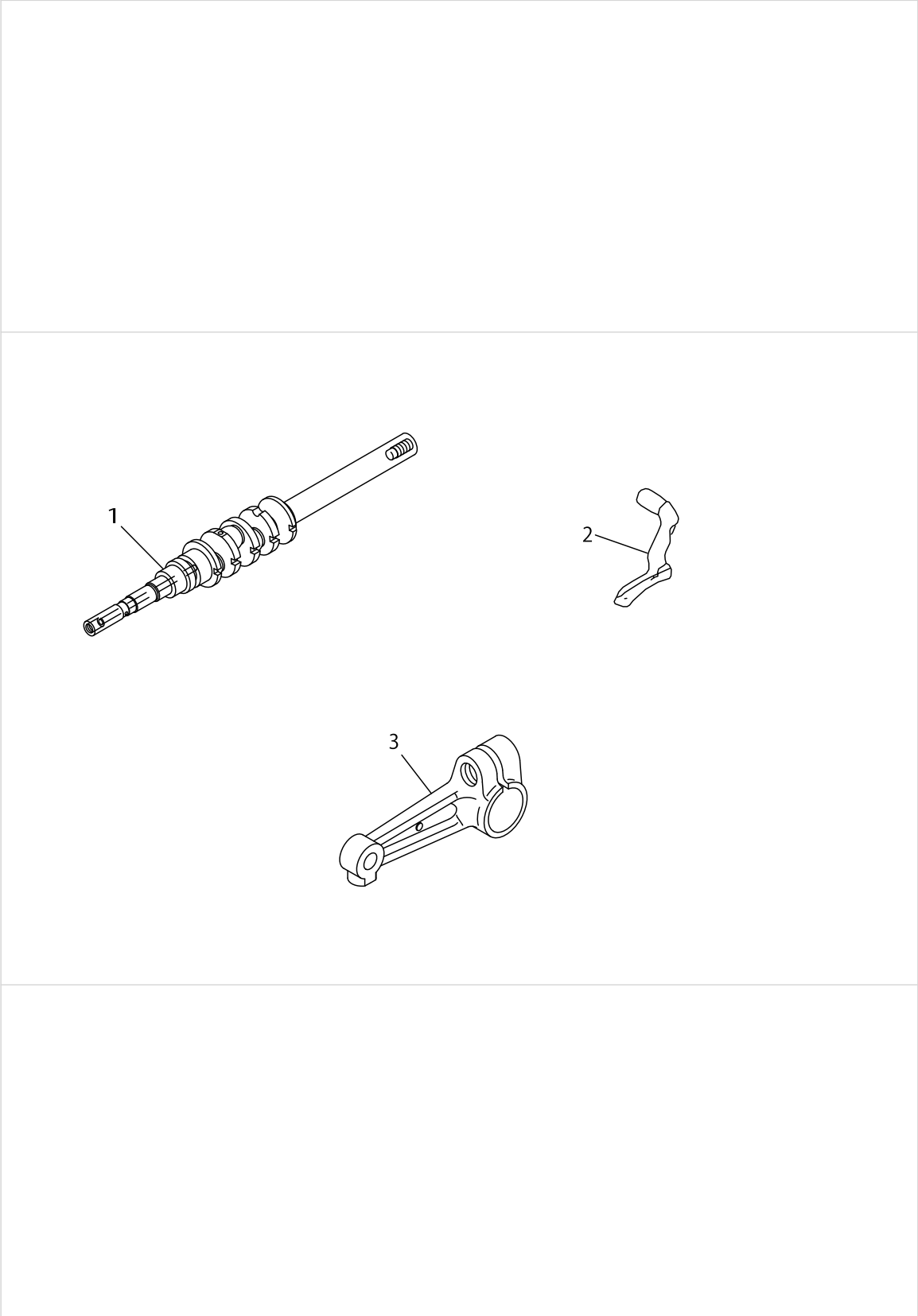
MO-3614-BE6-40H,MO-3614E-BE6-40H

No.	Supply Code	Parts No.	Replacement	Parts name	Remarks	Choice	Step	Level	Cons	Qty	Rep. QTY
1	D	12107207		CRANKSHAFT						1	
2		12176103		UPPER LOOPER						1	
3		11991601		UPPER LOOPER GUIDE COVER						1	
4	R	11991809	13132006	GAUGE						1	1.00
5	R	12254157	40015637	UPPER LOOPER GUIDE A ASM.						1	1.00



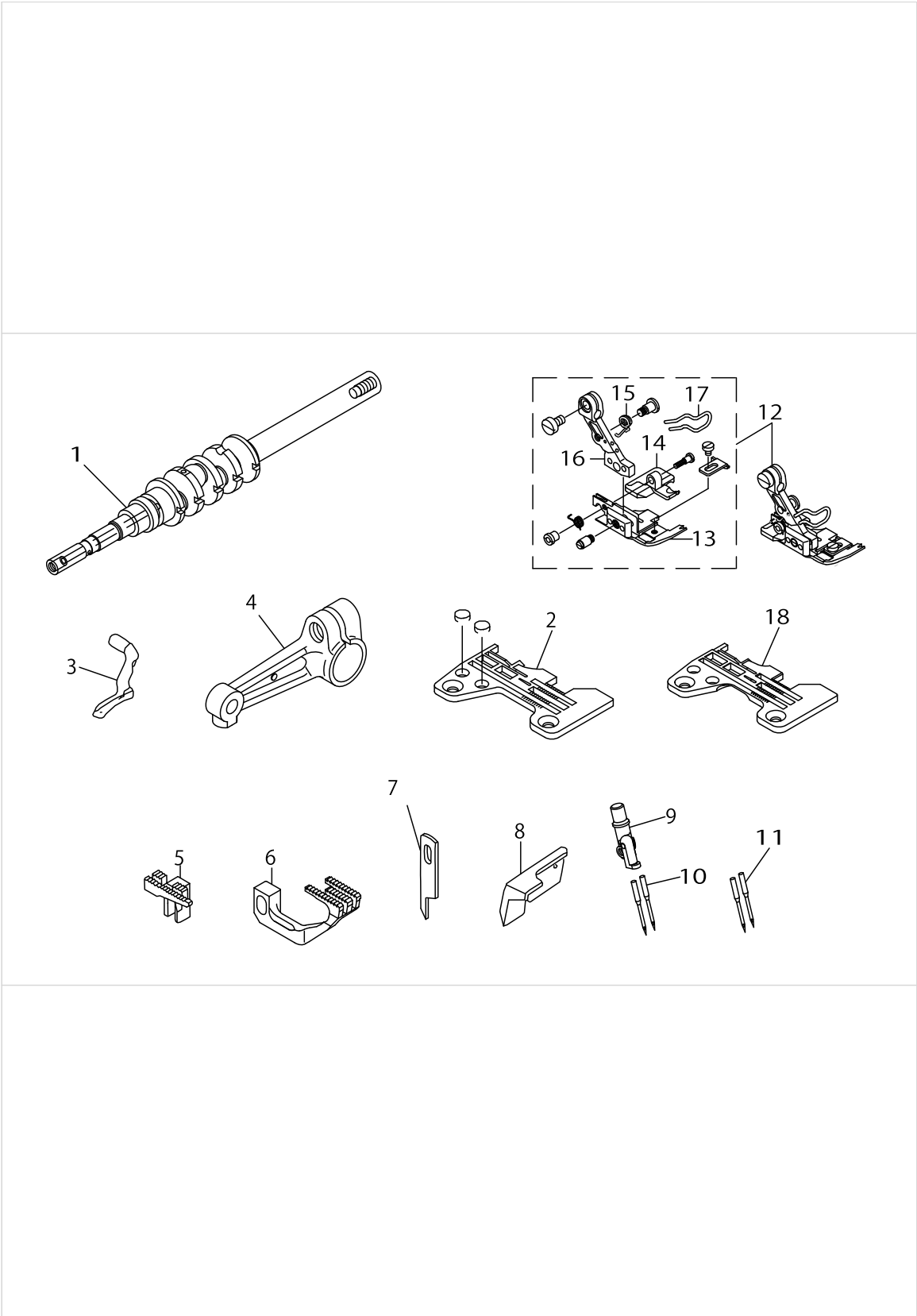
MO-3616-DE4-20H,MO-3616E-DE4-20H

No.	Supply Code	Parts No.	Replacement	Parts name	Remarks	Choice	Step	Level	Cons	Qty	Rep. QTY
1	D	12107207		CRANKSHAFT						1	
2		11991908		UPPER LOOPER						1	
3	D	12284501		LOOPER HOLDER, B						1	
4		12171203		MAIN FEED DOG						1	
5		12174108		SUB-FEED DOG						1	



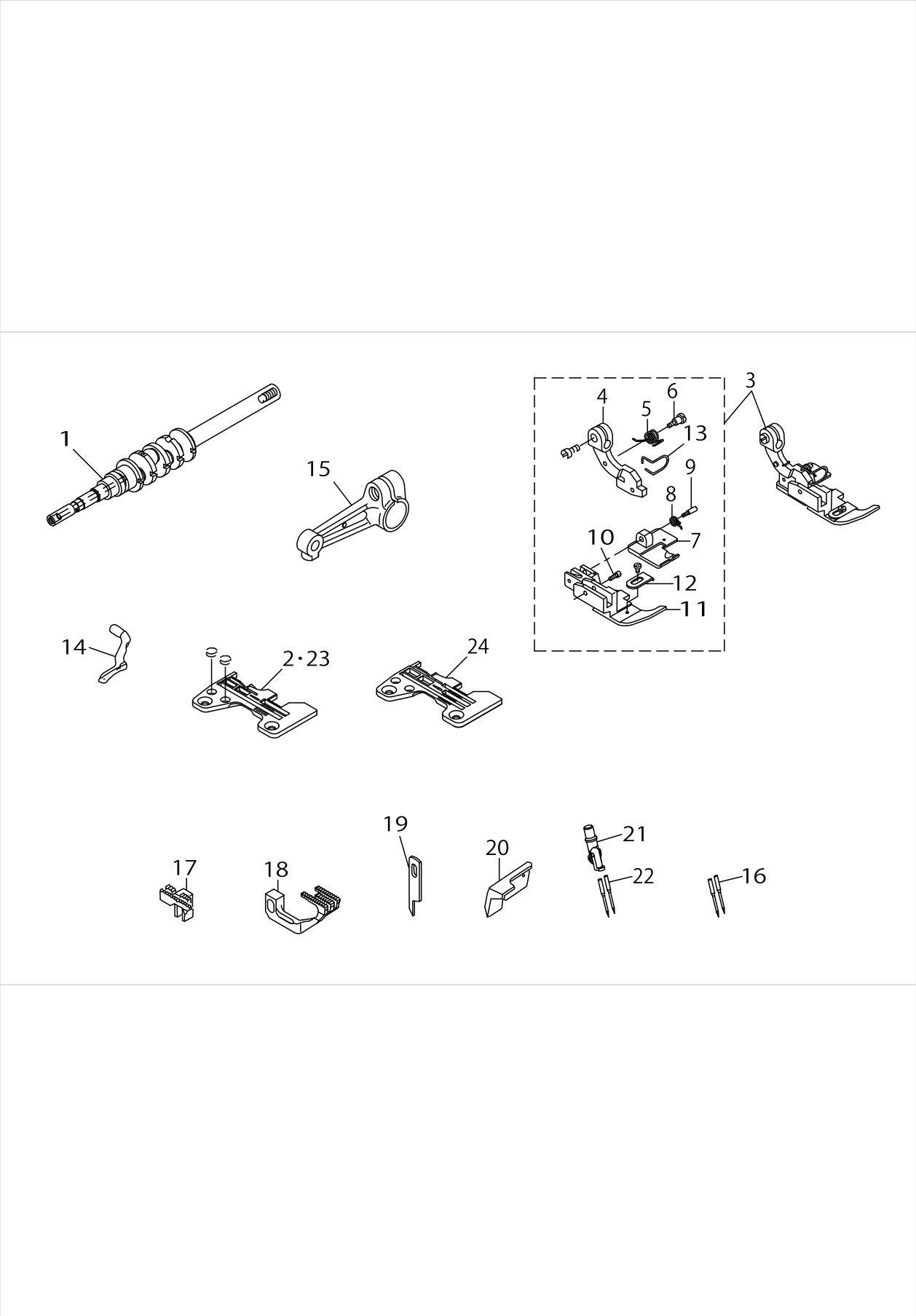
MO-3616-DE4-40H,MO-3616E-DE4-40H

No.	Supply Code	Parts No.	Replacement	Parts name	Remarks	Choice	Step	Level	Cons	Qty	Rep. QTY
1	D	12107207		CRANKSHAFT						1	
2		11991908		UPPER LOOPER						1	
3	D	12284501		LOOPER HOLDER, B						1	



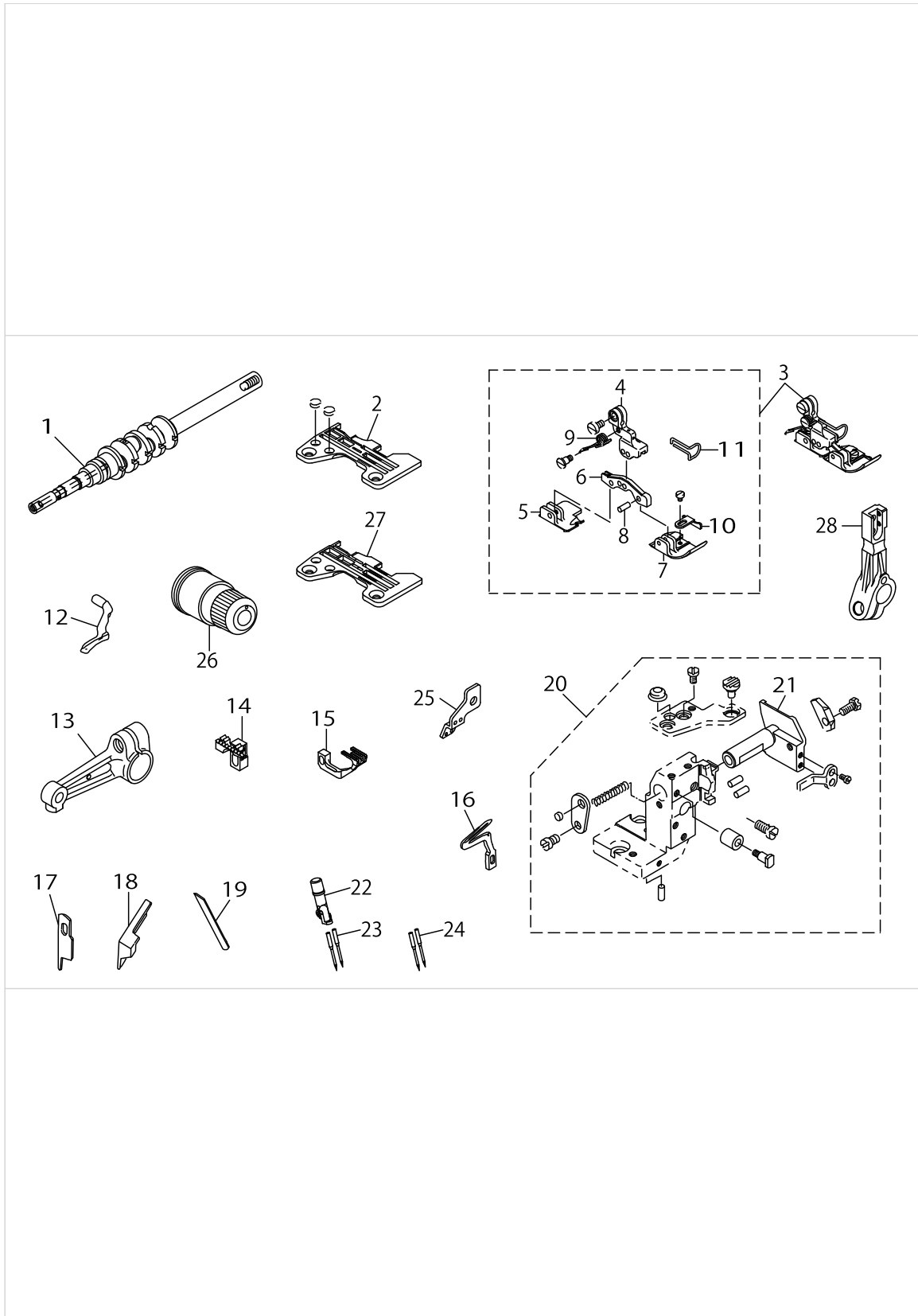
MO-3616-FF6-40H,MO-3616E-FF6-40H

No.	Supply Code	Parts No.	Replacement	Parts name	Remarks	Choice	Step	Level	Cons	Qty	Rep. QTY
1	D	12107207		CRANKSHAFT						1	
2	R	R4612J0FD00	R4612J6FD00	THROAT PLATE						1	1.00
3		11991908		UPPER LOOPER						1	
4	D	12284501		LOOPER HOLDER, B						1	
5		11884004		MAIN FEED DOG						1	
6		12173308		DIFFERENTIAL FEED DOG						1	
7		11845609		KNIFE	FOR JAPAN					1	
8		11845807		UPPER KNIFE	FOR EXPORT					1	
9		12257507		NEEDLE CLAMP, CHAIN LOOPER						1	
10		MDC270B1600		NEEDLE DCX27 #16						2	
11		MC033601000		NEEDLE B-27 NM100	FOR JE					2	
12		12154266		PRESSER FOOT ASM.						1	
13	R	12162707	12154266	PRESSER FOOT				*		1	1.00
14	R	12165304	12154266	REARPRESSERFOOT				*		1	1.00
15		12168001		PRESSER FOOT ARM SPRING, (B)				*		1	
16		12157004		PRESSER FOOT HINGE				*		1	
17		12168209		FINGER GUARD				*		1	
18		R4612J6FD00		THROAT PLATE	FOR JSP					1	



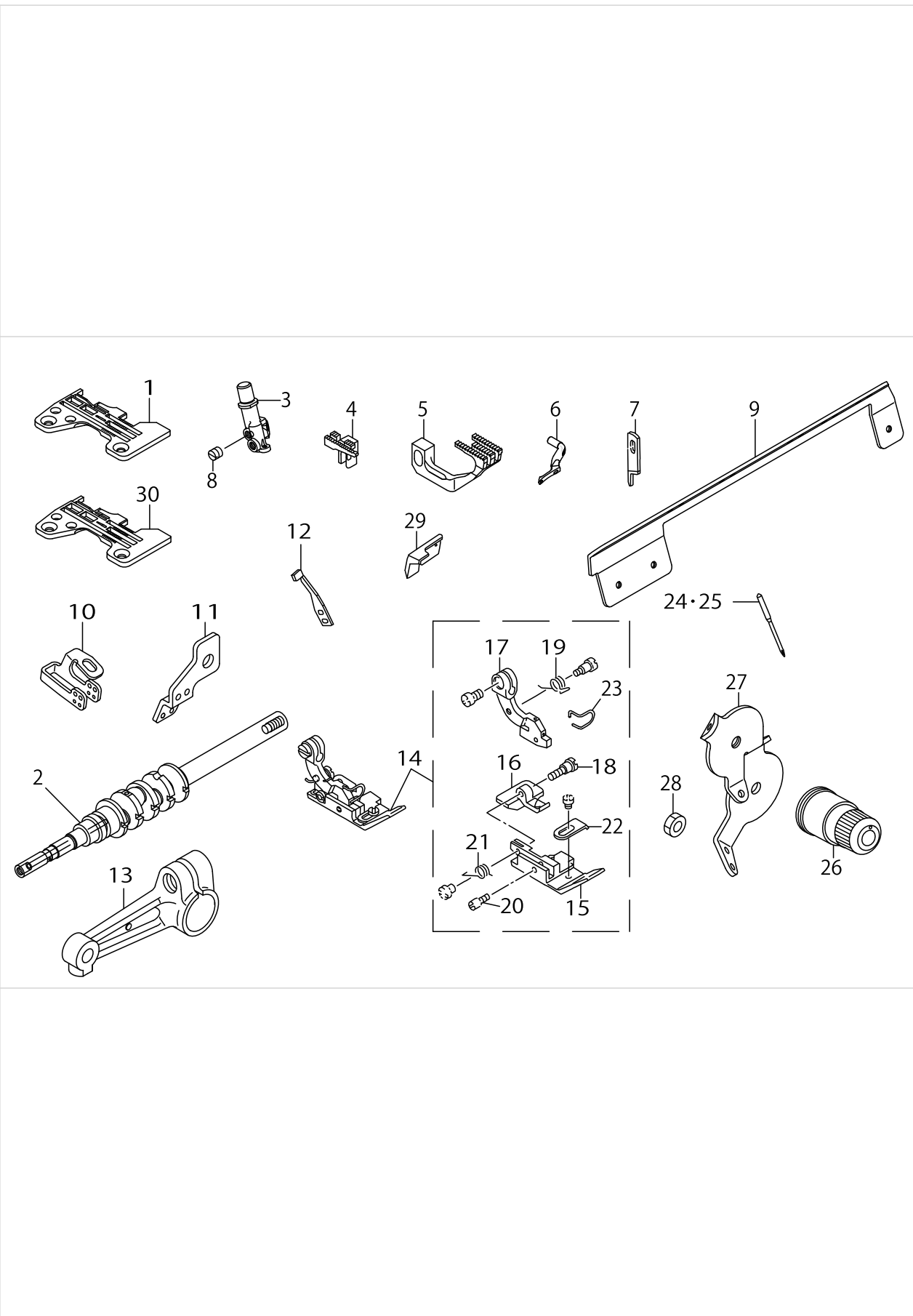
MO-3616-FF6-50H, MO-3616E-FF6-50H, MO-3616-FH6-50H, MO-3616E-FH6-50H

No.	Supply Code	Parts No.	Replacement	Parts name	Remarks	Choice	Step	Level	Cons	Qty	Rep. QTY
1	D	12107207		CRANKSHAFT						1	
2	R	R4612J0FF00	R4612J6FF00	THROAT PLATE	FOR FF6					1	1.00
3		11991189		PRESSER FOOT ASM.						1	
4	R	11991015	11991023	PRESSER FOOT HINGE				*		1	1.00
5		B151581600B		PRESSER FOOT ARM SPRING B				*		1	
6		B1514816000		SCREW				*		1	
7		11991205		REARPRESSERFOOT				*		1	
8		11991304		SPRING				*		1	
9		11930807		HINGE PIN				*		1	
10		11993508		PRESSER FOOT HINGE PIN				*		1	
11		11991114		HINGED TYPE PRESSER FOOT				*		1	
12		B1530816D00		AUXILIARY STOPPER				*		1	
13		11820800		FINGER GUARD				*		1	
14		11991908		UPPER LOOPER						1	
15	D	12284501		LOOPER HOLDER, B						1	
16		MC033601000		NEEDLE B-27 NM100	FOR JE					2	
17		11883006		MAIN FEED DOG						1	
18		12173506		DIFFERENTIAL FEED DOG						1	
19		11845609		KNIFE	FOR JAPAN					1	
20		11845807		UPPER KNIFE	FOR EXPORT					1	
21		12257507		NEEDLE CLAMP, CHAIN LOOPER						1	
22		MDC270B1600		NEEDLE DCX27 #16						2	
23	R	R4612J0HG00	R4612J6HG00	THROAT PLATE	FOR FH6					1	1.00
24		R4612J6FF00		THROAT PLATE	FOR JSP					1	



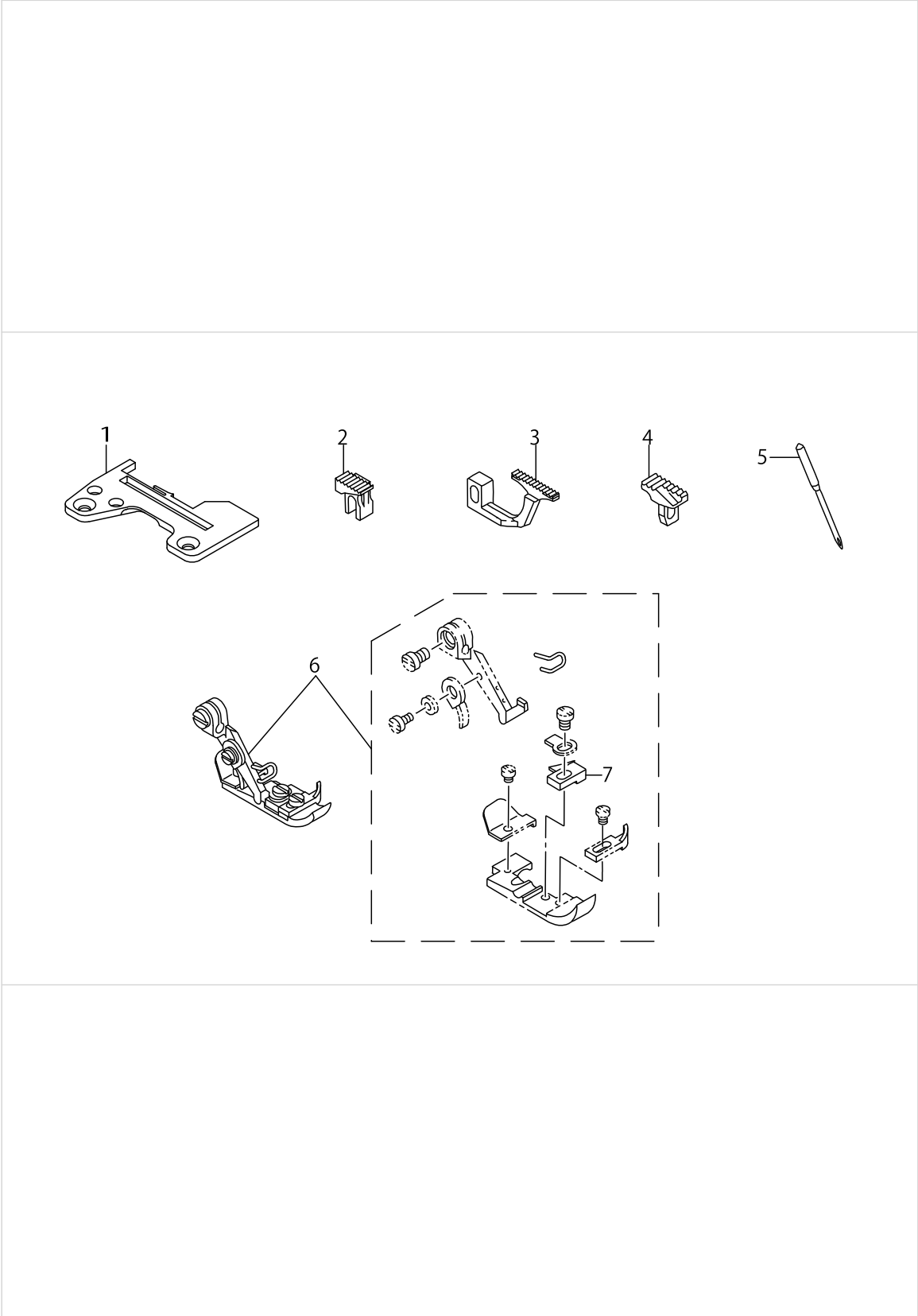
MO-3616-FH6-60H,MO-3616E-FH6-60H

No.	Supply Code	Parts No.	Replacement	Parts name	Remarks	Choice	Step	Level	Cons	Qty	Rep. QTY
1		12107306		CRANKSHAFT						1	
2	R	R4612J0HK00	R4612J6HK00	THROAT PLATE						1	1.00
3		12155560		PRESSER FOOT ASM.						1	
4	R	12157301	12157319	PRESSER FOOT HINGE ARM				*		1	1.00
5		12165908		REARPRESSERFOOT				*		1	
6		12168407		PRESSER FOOT HINGE				*		1	
7	R	12164000	12155560	PRESSER FOOT				*		1	1.00
8		11930708		PRESSER FOOT HINGE PIN				*		3	
9		12168506		PRESSER FOOT ARM SPRING				*		1	
10		12168605		CLOTH GUIDE				*		1	
11		12168704		FINGER GUARD				*		1	
12		12176202		UPPER LOOPER						1	
13	D	12284501		LOOPER HOLDER, B						1	
14		12171104		MAIN FEED DOG						1	
15		12174207		DIFFERENTIAL FEED DOG						1	
16		11999802		LOWER LOOPER						1	
17		12004909		KNIFE	FOR JAPAN					1	
18		11565900		UPPER KNIFE	FOR EXPORT					1	
19		11566502		LOWER KNIFE						1	
20	D	12257465		LOWER KNIFE FITTING BASE						1	
21	D	12133500		LOWER KNIFE SLIDE STUD				*		1	
22		12150702		NEEDLE CLAMP, CHAIN LOOPER						1	
23		MDC270B2100		NEEDLE DCX27 #21						2	
24		MC033601300		NEEDLE B-27 NM130	FOR JE					2	
25		12112801		TAKE-UP LEVER GUIDE						1	
26	R	12255451	13140652	THREAD TENSION SPRING ASM.						2	1.00
27		R4612J6HK00		THROAT PLATE	FOR JSP					1	
28		12273900		LOWER LOOPER SUPPORT ARM						1	



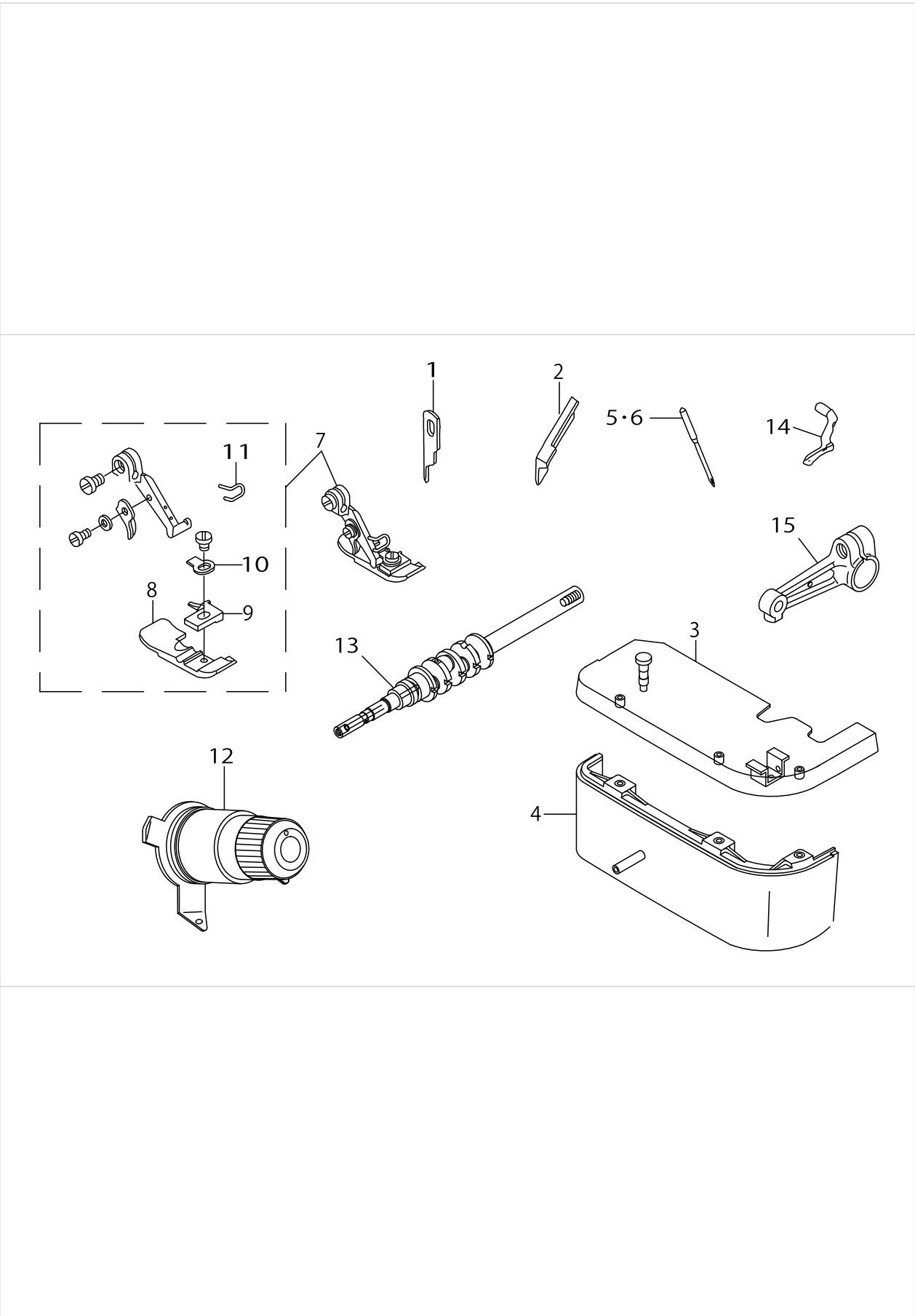
MO-3643-FBD6-40H,MO-3643E-FBD6-40H

No.	Supply Code	Parts No.	Replacement	Parts name	Remarks	Choice	Step	Level	Cons	Qty	Rep. QTY
1	R	R4612J0DE01	R4612J6DE01	THROAT PLATE						1	1.00
2	D	12107207		CRANKSHAFT						1	
3		12275004		NEEDLE CLAMP CHAIN LOOPER.						1	
4		11884004		MAIN FEED DOG						1	
5		12173308		DIFFERENTIAL FEED DOG						1	
6		12176103		UPPER LOOPER						1	
7		11845609		KNIFE						1	
8		SS8080310TP		SCREW 1/8-44 L=2.8						1	
9	D	12288502		CENTER THREAD GUIDE						1	
10		12146403		NEEDLE THREAD G- UIDE, 3-NEEDLE						1	
11	R	12281804	13111604	TAKE-UP LEVER G- UIDE, 2-NEEDLE						1	1.00
12		11999406		NEEDLE HOLDER						1	
13	D	12284501		LOOPER HOLDER, B						1	
14		11878063		PRESSER FOOT ASM.						1	
15	R	B1507843F00	B1507843FB0	PRESSER FOOT					*	1	1.00
16		11875507		REARPRESSERFOOT					*	1	
17		11872207		PRESSER FOOT HINGE					*	1	
18		B1511816000		HINGE SCREW					*	1	
19		B151581600B		PRESSER FOOT ARM SPRING B					*	1	
20		B1510816000		HINGE PIN					*	1	
21		B1512816000		SPRING, FOR REAR PRESSER FOOT					*	1	
22		B1530816D00		AUXILIARY STOPPER					*	1	
23		11820800		FINGER GUARD					*	1	
24		MDC270B1100		NEEDLE DCX27 #11						1	
25	D	MC033600750		NEEDLE B-27 NM75	FOR JE					1	
26	R	12284758	13137559	THREAD TENSION SPRING JUNCTION		A				1	1.00
26	R	12284758	12285904	THREAD TENSION SPRING JUNCTION						1	1.00
27		12255105		TENSION DISK THREAD GUIDE.						1	
28		NS6110310SP		NUT 11/64-40						1	
29		11845807		UPPER KNIFE						1	
30		R4612J6DE01		THROAT PLATE	FOR JSP					1	



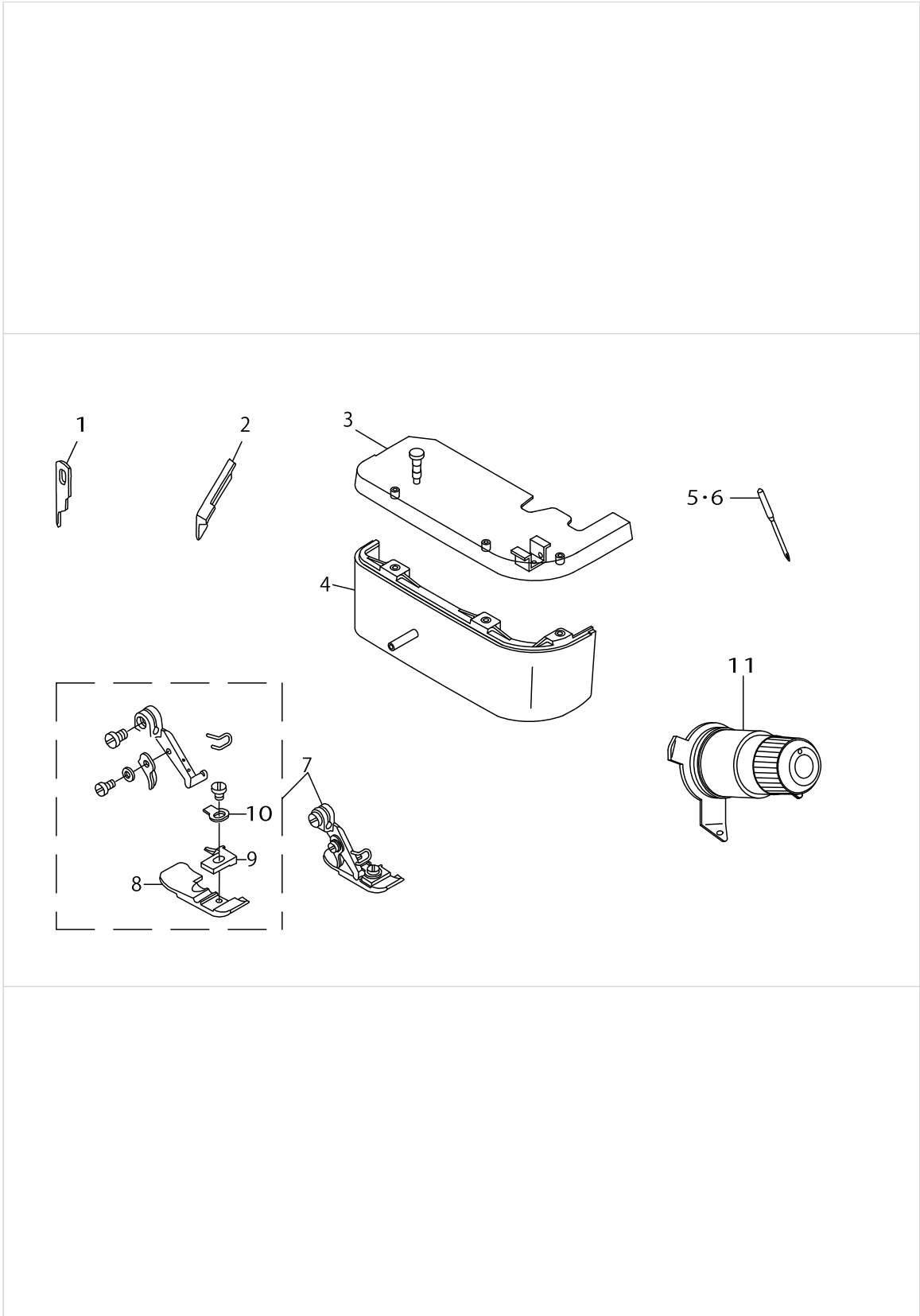
MO-3604-0A5-150,MO-3604E-0A5-150

No.	Supply Code	Parts No.	Replacement	Parts name	Remarks	Choice	Step	Level	Cons	Qty	Rep. QTY
1	R	R4100J0AC00	R4100J6AC00	THROAT PLATE						1	1.00
2		11882008		MAIN FEED DOG						1	
3		11885001		DIFFERENTIAL FEED DOG						1	
4		11887007		AUXILIARY FEED DOG						1	
5		MDC100B0800		NEEDLE DCX1 #8						1	
6		11876067		PRESSER FOOT ASM.						1	
7		11792900		STITCH TONGUE				*		1	

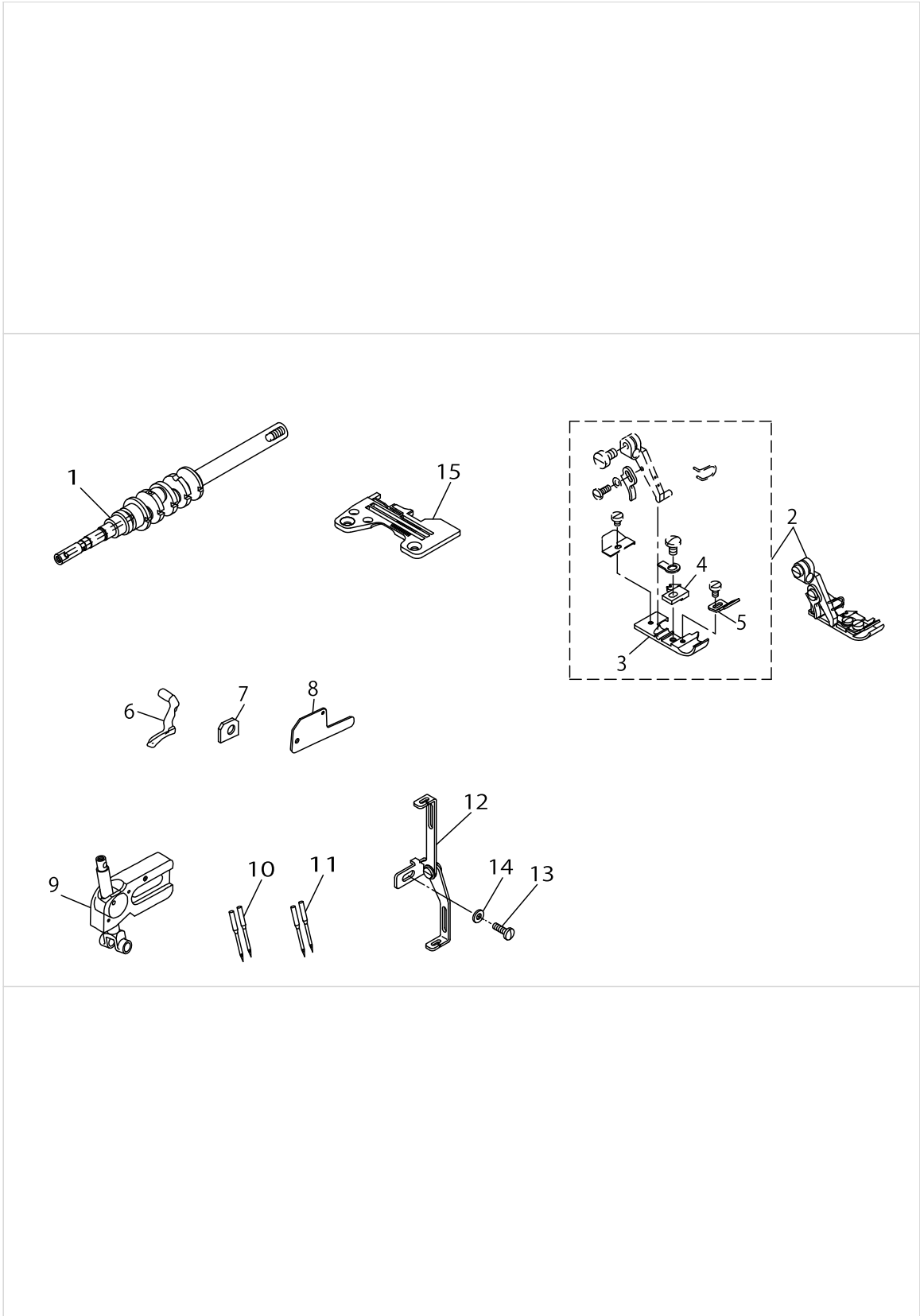


MO-3605-0E4-41H/L121,MO-3605E-0E4-41H/L121

No.	Supply Code	Parts No.	Replacement	Parts name	Remarks	Choice	Step	Level	Cons	Qty	Rep. QTY
1		11845708		KNIFE	FOR JAPAN					1	
2		11845906		UPPER KNIFE	FOR EXPORT					1	
3	D	12104659		CLOTH PLATE ASM.						1	
4		12104709		CLOTHPLATECOVER						1	
5		MDC270B0900		NEEDLE DCX27 #9						1	
6	D	MC033600650		NEEDLE B-27 65	FOR JE					1	
7		11992161		PRESSER FOOT ASM.						1	
8	R	11992104	11992161	PRESSER FOOT				*		1	1.00
9		11874807		STITCH TONGUE				*		1	
10		B1508804000		SPRING				*		1	
11		11820701		FINGER GUARD				*		1	
12	R	12284857	13138359	THREAD TENSION SPRING JUNCTION		A				1	1.00
12	R	12284857	12285904	THREAD TENSION SPRING JUNCTION						1	1.00
13	D	12107207		CRANKSHAFT						1	
14		11991908		UPPER LOOPER						1	
15	D	12284501		LOOPER HOLDER, B						1	

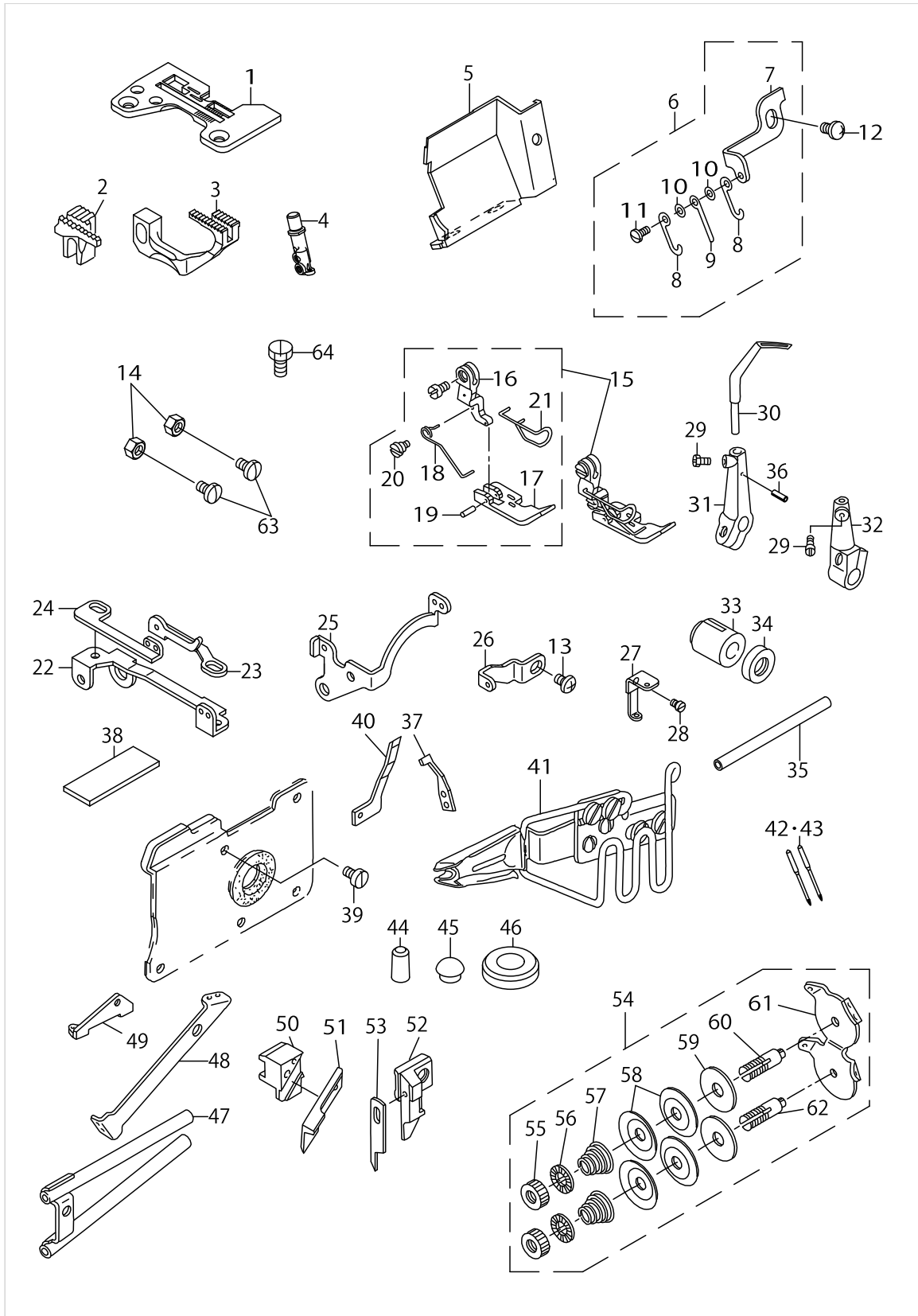


No.	Supply Code	Parts No.	Replacement	Parts name	Remarks	Choice	Step	Level	Cons	Qty	Rep. QTY
1		11845708		KNIFE	FOR JAPAN					1	
2		11845906		UPPER KNIFE	FOR EXPORT					1	
3	D	12104659		CLOTH PLATE ASM.						1	
4		12104709		CLOTHPLATECOVER						1	
5		MDC270B0900		NEEDLE DCX27 #9						1	
6	D	MC033600650		NEEDLE B-27 65	FOR JE					1	
7		11992161		PRESSER FOOT ASM.						1	
8	R	11992104	11992161	PRESSER FOOT				*		1	1.00
9		11874807		STITCH TONGUE				*		1	
10		B1508804000		SPRING				*		1	
11	R	12284857	13138359	THREAD TENSION SPRING JUNCTION		A				1	1.00
11	R	12284857	12285904	THREAD TENSION SPRING JUNCTION						1	1.00

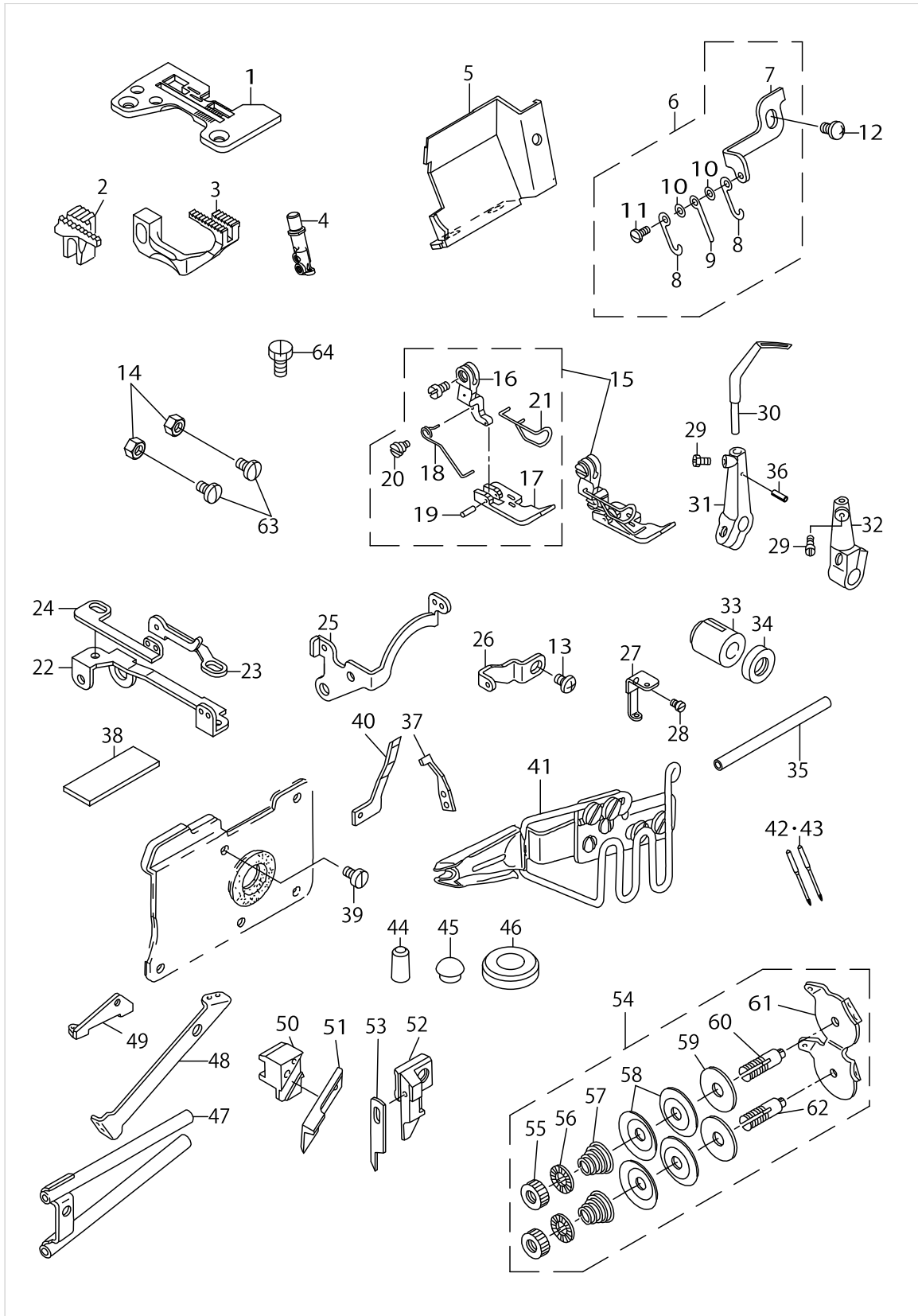


MO-3614-BE6-44H/G-38/Q141,MO-3614E-BE6-44H/G-39/Q141

No.	Supply Code	Parts No.	Replacement	Parts name	Remarks	Choice	Step	Level	Cons	Qty	Rep. QTY
1	D	12107207		CRANKSHAFT						1	
2		12152963		PRESSER FOOT ASM.						1	
3		12158002		PRESSER FOOT				*		1	
4		12160305		STITCH TONGUE				*		1	
5		12160909		TAPE GUIDE				*		1	
6		12176103		UPPER LOOPER						1	
7	R	11991809	13132006	GAUGE						1	1.00
8		11991601		UPPER LOOPER GUIDE COVER						1	
9	R	12254157	40015637	UPPER LOOPER GUIDE A ASM.						1	1.00
10		MDC270B1400		NEEDLE DCX27 #14						2	
11	D	MC033600900		NEEDLE B-27 NM90	FOR JE					2	
12	R	MAQ141000A0	MAQ141000B0	TAPE GUIDE ASM.						1	1.00
13		SS7091110TP		SCREW 9/64-40 L=10.5						1	
14		WP0371016SD		WASHER 3.7X8X1						1	
15		R4305J6EE00		THROAT PLATE	FOR JSP					1	



No.	Supply Code	Parts No.	Replacement	Parts name	Remarks	Choice	Step	Level	Cons	Qty	Rep. QTY
1		R4808J0DE00		THROAT PLATE						1	
2		11884202		MAIN FEED DOG						1	
3		12173803		DIFFERENTIAL FEED DOG						1	
4		12275103		NEEDLE CLAMP CHAIN LOOPER.						1	
5		12275301		CLOTH WASTE COVER						1	
6		12145652		CHAIN LOOPER THREAD TAKE-UP						1	
7		12145702		THREAD TAKE-UP FITTING BASE				*		1	
8	R	B1427816000	13112404	NEEDLE THREAD T-AKE-UP LEVER A				*		2	1.00
9		B1428816000		NEEDLE THREAD T-AKE-UP LEVER B				*		1	
10		WP0250516SD		WASHER 2.5X6X0.5				*		2	
11		SS7060510SP		SCREW 3/32-56 L=4.8				*		1	
12		SM4040655SP		SCREW M4 L=6						1	
13		SS4110515SP		SCREW 11/64-40 L=5				*		1	
14		NS6110420SP		NUT 11/64-40						2	
15	D	11881661		PRESSER FOOT ASM.						1	
16		11872405		PRESSER FOOT HINGE				*		1	
17		11873601		PRESSER FOOT				*		1	
18		11892106		PRESSER SPRING				*		1	
19		B1511357000		PIN				*		1	
20		SD0370401SP		HINGE SCREW D= 3.70 H= 4.0				*		1	
21		11894706		FINGER GUARD				*		1	
22		12146007		THREAD GUIDE BASE						1	
23		12146106		THREAD GUIDE A						1	
24		12146205		THREAD GUIDE B						1	
25		12146304		THREAD GUIDE						1	
26		12145801		CHAIN LOOPER THREAD GUIDE						1	
27		12145900		NEEDLE THREAD GUIDE						1	
28		SS6060340SP		SCREW 3/32-56 L=2.5						1	
29		SS9090610TP		SCREW 9/64-40 L=5.5						2	
30		11999604		DOUBLE-RING LOOPER						2	
31		B211784500A		CHAIN LOOPER SUPPORT ARM A						1	
32		B211784500B		CHAIN LOOPER SUPPORT ARM B						1	
33		B2110845000		BUSHING, FRONT						1	
34		B2121845000		OIL SEAL						1	
35		B2109816000		CHAIN LOOPER SHAFT						1	
36		PS0200062KH		SPRING PIN 2X6						1	
37		11891009		NEEDLE GUARD						1	
38		B2528845000		CHIP GUARD PLATE						1	
39	R	SS6090630SP	SS6090630TP	SCREW 9/64-40 L=6						1	1.00
40		11890902		NEEDLE GUARD						1	
41		MAN0770F0A0		TOP CENTER PLAIT BINDER						1	
42		MDC270B1400		NEEDLE DCX27 #14						2	
43	D	MC033600900		NEEDLE B-27 NM90	FOR JE					2	
44		TA0290601M0		PLUG D=2.9X3.2 L=6						1	
45		TA0570301M0		PLUG D=5.7X6.1 L=3						1	



No.	Supply Code	Parts No.	Replacement	Parts name	Remarks	Choice	Step	Level	Cons	Qty	Rep. QTY
46		TA1701002R0		RUBBER PLUG						1	
47		11893054		LOOPER THREAD G- UIDE TUBE ASM.						1	
48		11893104		LOOPER THREAD G- UIDE TUBE GUIDE						1	
49	D	B240284500B		LOOPER THREAD G- UIDE TUBE GUIDE	FOR T039,T040					1	
50		11896305		UPPER KNIFE SUPPORT	FOR EXPORT					1	
51		11845807		UPPER KNIFE	FOR EXPORT					1	
52	D	11896206		UPPER KNIFE SUPPORT	FOR JAPAN					1	
53		11845609		KNIFE	FOR JAPAN					1	
54		11892957		TENSION CONTROLLER ASM.						1	
55		B2314019000		TENSION POST NUT				*		2	
56		B3120125000		ROTATING STOPPER				*		2	
57		B2017372000		TENSION SPRING NO.1				*		2	
58	R	B3126012000	22921506	THREAD TENSION DISK				*		4	1.00
59	R	B3120352000	13139902	THREAD TENSION SPRING FELT				*		2	1.00
60	R	11550803	13139555	THREAD TENSION POST				*		1	1.00
61		11892809		THREAD GUIDE				*		1	
62	D	11892908		THREAD TENSION POST				*		1	
63		SS7110710SL		SCREW 11/64-40 L=7.0						2	
64		SS9151210TP		SCREW 15/64-28 L=11.8						1	

HOW TO MAKE USE OF THIS PARTS LIST

1.Explanation of codes

1)"*"mark.....means this part is changed from the previous parts book.

As to the details of the change, refer to the "List for information of change".

2)"#01".....refer to "Note" explanation at bottom of page.

2.Codes on the "Qty" column

- Each numeral indicates the number of parts required.
- "0.1" and "2.5" indicate the length (in meters) of the respective parts.

3.Parentheses mean that the corresponding part is a subpart that constructs an assembly part.

4.Dotted lines on the Figures indicate assembly parts.

1."注記"欄の記号説明

1) "*"印.....前回のパーツブックに比較して今回変更された部品を意味します。

変更内容は、"変更情報リスト"を参照してください。

2) "#01".....ページ下の"注記"の説明を参照してください。

2.数量欄の数字は、個数を表し、0.1、2.5等の数値は、長さ（単位メートル）を表します。

3.数量欄の（ ）は、組部品を構成している子部品であることを意味します。

4.イラストページの-----枠は、組構成であることを意味します。

NUMERICAL INDEX OF PARTS

PART NO	PAGE	REF NO.	PART NO	PAGE	REF NO.	PART NO	PAGE	REF NO.
11550803	32	60	11896305	32	50	12107207	28	1
11565900	18	18	11930708	18	8	12107306	18	1
11566502	18	19	11930807	16	9	12112504	4	6
11792900	22	7	11948783	4	4	12112603	4	7
11820701	24	11	11991015	16	4	12112702	4	8
11820800	16	13	11991114	16	11	12112801	18	25
11820800	20	23	11991189	16	3	12133500	18	21
11845609	14	7	11991205	16	7	12145652	30	6
11845609	16	19	11991304	16	8	12145702	30	7
11845609	20	7	11991601	6	3	12145801	30	26
11845609	32	53	11991601	8	3	12145900	30	27
11845708	24	1	11991601	28	8	12146007	30	22
11845708	26	1	11991809	6	4	12146106	30	23
11845807	14	8	11991809	8	4	12146205	30	24
11845807	16	20	11991809	28	7	12146304	30	25
11845807	20	29	11991908	2	2	12146403	20	10
11845807	32	51	11991908	4	2	12150702	18	22
11845906	24	2	11991908	10	2	12152963	28	2
11845906	26	2	11991908	12	2	12154266	14	12
11872207	20	17	11991908	14	3	12155560	18	3
11872405	30	16	11991908	16	14	12157004	14	16
11873601	30	17	11991908	24	14	12157301	18	4
11874807	24	9	11992104	24	8	12158002	28	3
11874807	26	9	11992104	26	8	12160305	28	4
11875507	20	16	11992161	24	7	12160909	28	5
11876067	22	6	11992161	26	7	12162707	14	13
11878063	20	14	11993508	16	10	12164000	18	7
11881661	30	15	11999406	20	12	12165304	14	14
11882008	22	2	11999604	30	30	12165908	18	5
11883006	16	17	11999802	18	16	12168001	14	15
11884004	14	5	12004909	18	17	12168209	14	17
11884004	20	4	12104659	24	3	12168407	18	6
11884202	30	2	12104659	26	3	12168506	18	9
11885001	22	3	12104709	24	4	12168605	18	10
11887007	22	4	12104709	26	4	12168704	18	11
11890902	30	40	12107207	2	1	12171104	18	14
11891009	30	37	12107207	4	1	12171203	10	4
11892106	30	18	12107207	6	1	12171500	6	6
11892809	32	61	12107207	8	1	12172003	6	7
11892908	32	62	12107207	10	1	12173308	14	6
11892957	32	54	12107207	12	1	12173308	20	5
11893054	32	47	12107207	14	1	12173506	16	18
11893104	32	48	12107207	16	1	12173803	30	3
11894706	30	21	12107207	20	2	12174108	10	5
11896206	32	52	12107207	24	13	12174207	18	15

NUMERICAL INDEX OF PARTS

PART NO	PAGE	REF NO.	PART NO	PAGE	REF NO.	PART NO	PAGE	REF NO.
12176103	6	2	B2017372000	32	57	R4612J6FF00	16	24
12176103	8	2	B2109816000	30	35	R4612J6HK00	18	27
12176103	20	6	B2110845000	30	33	R4808J0DE00	30	1
12176103	28	6	B211784500A	30	31	SD0370401SP	30	20
12176202	18	12	B211784500B	30	32	SM4040655SP	30	12
12254157	6	5	B2121845000	30	34	SS4110515SP	30	13
12254157	8	5	B2314019000	32	55	SS6060340SP	30	28
12254157	28	9	B240284500B	32	49	SS6090630SP	30	39
12255105	20	27	B2528845000	30	38	SS7060510SP	30	11
12255451	18	26	B3120125000	32	56	SS7091110TP	28	13
12257465	18	20	B3120352000	32	59	SS7110710SL	32	63
12257507	14	9	B3126012000	32	58	SS8080310TP	20	8
12257507	16	21	MAN0770F0A0	30	41	SS9090610TP	30	29
12273900	18	28	MAQ141000A0	28	12	SS9151210TP	32	64
12275004	20	3	MC033600650	24	5-6	TA0290601M0	30	44
12275103	30	4	MC033600650	26	5-6	TA0570301M0	30	45
12275301	30	5	MC033600750	20	24-25	TA1701002R0	32	46
12281804	20	11	MC033600900	28	11	WP0250516SD	30	10
12284501	2	3	MC033600900	30	43	WP0371016SD	28	14
12284501	4	3	MC033601000	14	11			
12284501	10	3	MC033601000	16	16			
12284501	12	3	MC033601300	18	24			
12284501	14	4	MDC100B0800	22	5			
12284501	16	15	MDC270B0900	24	5-6			
12284501	18	13	MDC270B0900	26	5-6			
12284501	20	13	MDC270B1100	20	24-25			
12284501	24	15	MDC270B1400	28	10			
12284758	20	26	MDC270B1400	30	42			
12284857	24	12	MDC270B1600	14	10			
12284857	26	11	MDC270B1600	16	22			
12288502	20	9	MDC270B2100	18	23			
B1427816000	30	8	NS6110310SP	20	28			
B1428816000	30	9	NS6110420SP	30	14			
B1507843F00	20	15	PS0200062KH	30	36			
B1508804000	24	10	R4100J0AC00	22	1			
B1508804000	26	10	R4200J2ED00	4	5			
B1510816000	20	20	R4200J6ED00	2	4			
B1511357000	30	19	R4305J6EE00	28	15			
B1511816000	20	18	R4612J0DE01	20	1			
B1512816000	20	21	R4612J0FD00	14	2			
B1514816000	16	6	R4612J0FF00	16	2-23			
B151581600B	16	5	R4612J0HG00	16	2-23			
B151581600B	20	19	R4612J0HK00	18	2			
B1530816D00	16	12	R4612J6DE01	20	30			
B1530816D00	20	22	R4612J6FD00	14	18			