

MODEL : MOR-3904 SUBCLASSES/MOR-3916/MOR-3943

List No : 1113-03

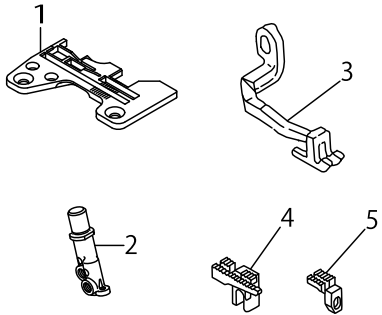
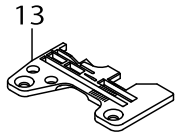
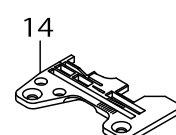
PARTS LIST

Published:05/12/2017

CONTENTS

MOR-3900 SUBCLASSES (1).....	1
MOR-3900 SUBCLASSES (2).....	3
MOR-3900 SUBCLASSES (3).....	5
MOR-3900 SUBCLASSES (4).....	7
MOR-3900 SUBCLASSES (5).....	9
MOR-3900 SUBCLASSES (6).....	11
MOR-3900 SUBCLASSES (7).....	13
MOR-3900 SUBCLASSES (8).....	15
MOR-3900 SUBCLASSES (9).....	17
MOR-3900 SUBCLASSES (10).....	19
MOR-3900 SUBCLASSES (11).....	21
MOR-3900 SUBCLASSES (12).....	23
THREAD STAND COMPONENTS (FOR MOR-3943).....	25
MOR-3900 SUBCLASSES (13).....	27
MOR-3900 SUBCLASSES (14).....	29
MOR-3900 SUBCLASSES (15).....	31
MOR-3900 SUBCLASSES (16).....	33
MOR-3900 SUBCLASSES (17).....	35
MOR-3900 SUBCLASSES (18).....	37
LIST FOR INFORMATION OF CHANGE.....	39
HOW TO MAKE USE OF THIS PARTS LIST	40

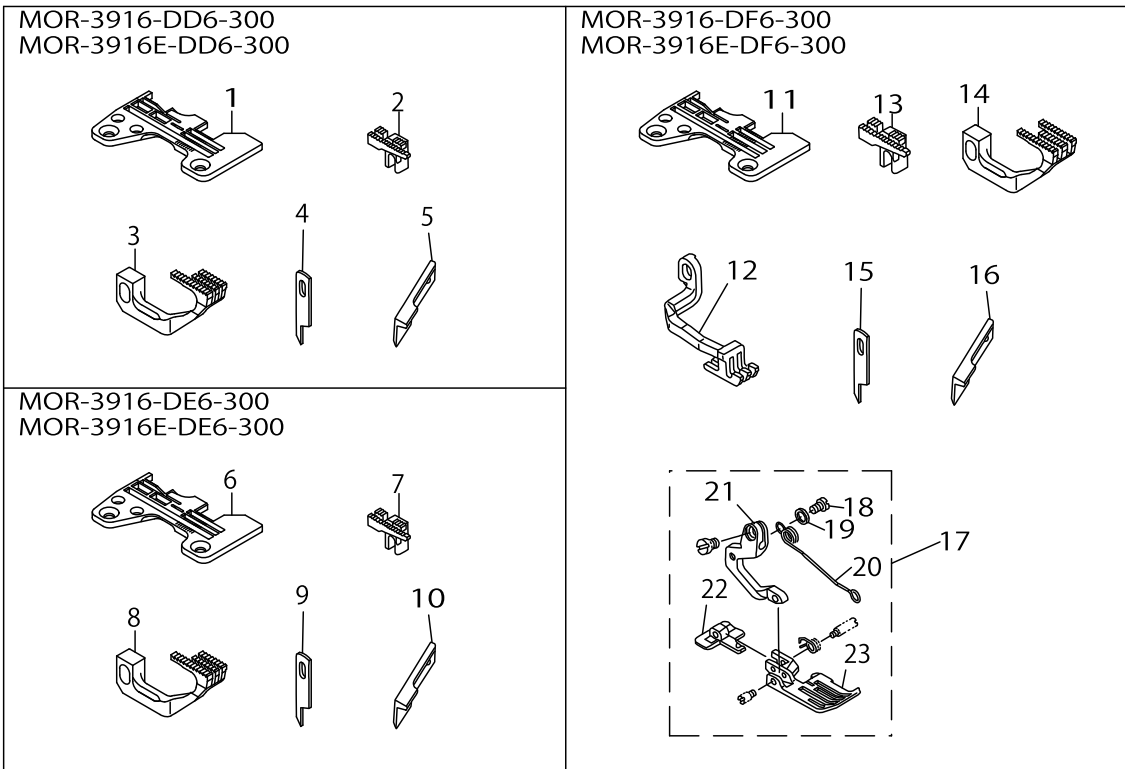
MOR-3900 SUBCLASSES (1)

<p>MOR-3916-BE4-300 MOR-3916E-BE4-300</p>  <p>1 2 3 4 5 6 7 8 9 10 11 12</p>	<p>MOR-3916-DD4-300 MOR-3916E-DD4-300</p>  <p>13</p>
	<p>MOR-3916-DF4-300 MOR-3916E-DF4-300</p>  <p>14</p>

MOR-3900 SUBCLASSES (1)

No.	Supply Code	Parts No.	Replacement	Parts name	Remarks	Choice	Step	Level	Cons	Qty	Rep. QTY
1	R	R4505J0ED00	R4505J6ED00	THROAT PLATE						1	1.00
2	D	12150009		CHAIN LOOPER NEEDLE CLAMP						1	
3		11937000		TOP FEED DOG						1	
4		11882602		MAIN FEED DOG						1	
5		11887304		AUXILIARY FEED DOG						1	
6		11932753		PRESSER FOOT ASM.						1	
7		SS7080520SP		SCREW 1/8-44 L=4.9				*		1	
8		WP0371026SD		WASHER 3.7X7X1				*		1	
9		11931102		PRESSER FOOT SPRING				*		1	
10	D	11925203		PRESSER FOOT HINGE				*		1	
11	D	11929601		REAR PRESSER FOOT				*		1	
12	R	11926607	11932753	PRESSER FOOT				*		1	1.00
13	R	R4508J0DD00	R4508J6DD00	THROAT PLATE						1	1.00
14	R	R4508J0FD00	R4508J6FD00	THROAT PLATE						1	1.00

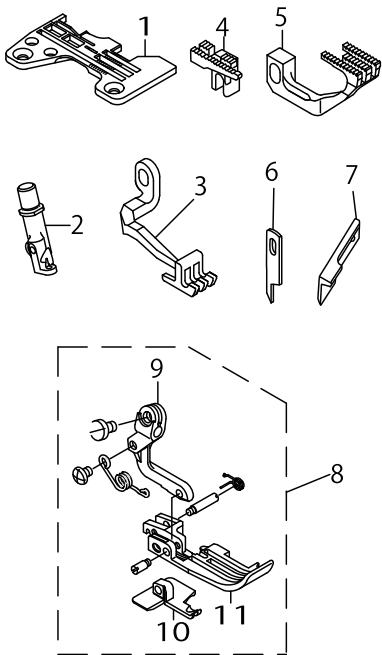
MOR-3900 SUBCLASSES (2)



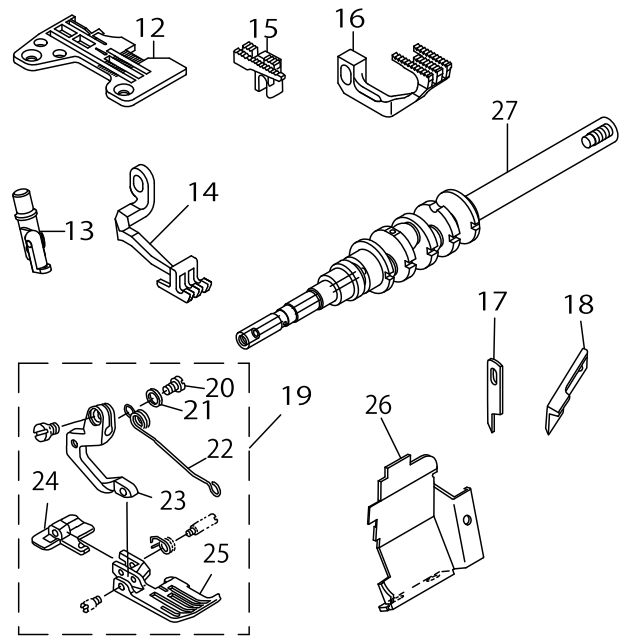
MOR-3900 SUBCLASSES (2)

No.	Supply Code	Parts No.	Replacement	Parts name	Remarks	Choice	Step	Level	Cons	Qty	Rep. QTY
1	R	R4608J0DD00	R4608J6DD00	THROAT PLATE						1	1.00
2		11882909		MAIN FEED DOG						1	
3		12173209		DIFFERENTIAL FEED DOG						1	
4		11845609		KNIFE	FOR JAPAN					1	
5		11845807		UPPER KNIFE	FOR EXPORT					1	
6	R	R4608J0ED00	R4608J6ED00	THROAT PLATE						1	1.00
7		11882909		MAIN FEED DOG						1	
8		12173209		DIFFERENTIAL FEED DOG						1	
9		11845609		KNIFE	FOR JAPAN					1	
10		11845807		UPPER KNIFE	FOR EXPORT					1	
11	R	R4608J0FD00	R4608J6FD00	THROAT PLATE						1	1.00
12		11937109		TOP FEED DOG						1	
13		11987708		MAIN FEED DOG						1	
14		12173308		DIFFERENTIAL FEED DOG						1	
15		11845609		KNIFE	FOR JAPAN					1	
16		11845807		UPPER KNIFE	FOR EXPORT					1	
17		11932951		PRESSER FOOT ASM.						1	
18		SS7080520SP		SCREW 1/8-44 L=4.9				*		1	
19		WP0371026SD		WASHER 3.7X7X1				*		1	
20		11931201		PRESSER FOOT SPRING				*		1	
21	D	11925302		PRESSER FOOT HINGE				*		1	
22		11929809		REARPRESSERFOOT				*		1	
23	R	11926805	11932951	PRESSER FOOT				*		1	1.00

MOR-3916-FF6-300
MOR-3916E-FF6-300



MOR-3916-RH6-30H
MOR-3916E-RH6-30H

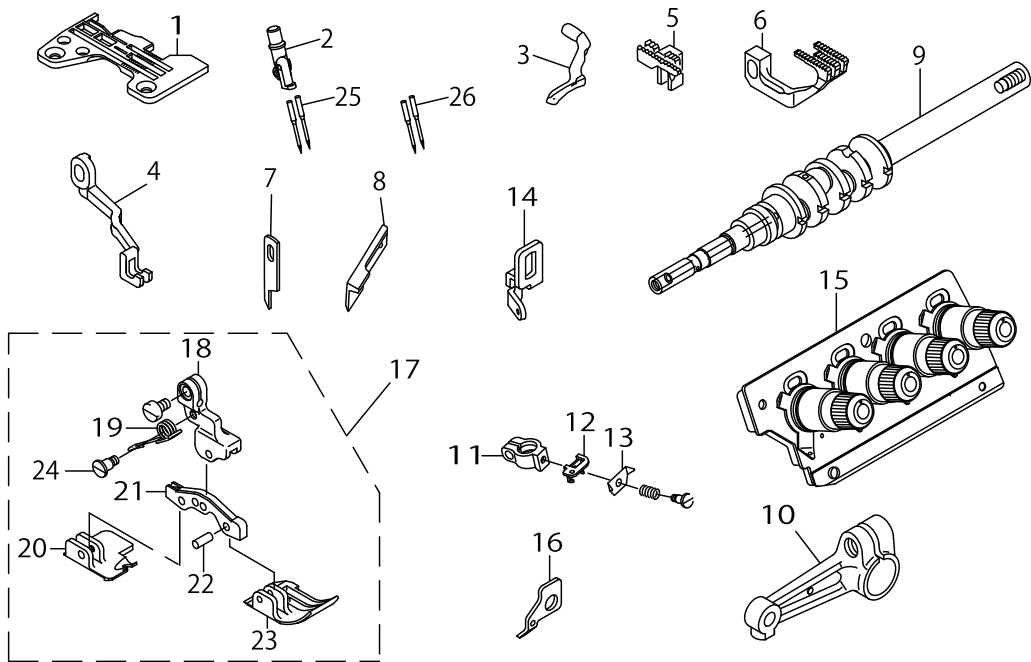


MOR-3900 SUBCLASSES (3)

No.	Supply Code	Parts No.	Replacement	Parts name	Remarks	Choice	Step	Level	Cons	Qty	Rep. QTY
1	R	R4612J0FD00	R4612J6FD00	THROAT PLATE						1	1.00
2	R	12150306	12257507	NEEDLE CLAMP, CHAIN LOOPER						1	1.00
3		12330114		TOP FEED DOG						1	
4		11884004		MAIN FEED DOG						1	
5		12173308		DIFFERENTIAL FEED DOG						1	
6		11845609		KNIFE	FOR JAPAN					1	
7		11845807		UPPER KNIFE	FOR EXPORT					1	
8		12320552		PRESSER FOOT ASM.						1	
9	D	12320701		PRESSER FOOT HINGE				*		1	
10	R	12320602	12321451	REARPRESSERFOOT				*		1	1.00
11	R	12320503	12320552	PRESSER FOOT				*		1	1.00
12		R4617J0HD00		THROAT PLATE						1	
13	D	12150413		NEEDLE CLAMP, CHAIN LOOPER						1	
14		11937109		TOP FEED DOG						1	
15		11884004		MAIN FEED DOG						1	
16		12173308		DIFFERENTIAL FEED DOG						1	
17		11845609		KNIFE	FOR JAPAN					1	
18		11845807		UPPER KNIFE	FOR EXPORT					1	
19	D	11933157		PRESSER FOOT ASM.						1	
20		SS7080520SP		SCREW 1/8-44 L=4.9				*		1	
21		WP0371026SD		WASHER 3.7X7X1				*		1	
22		11931201		PRESSER FOOT SPRING				*		1	
23	D	11925302		PRESSER FOOT HINGE				*		1	
24		11930005		REARPRESSERFOOT				*		1	
25	D	11927001		PRESSER FOOT				*		1	
26		12147906		CLOTH WASTE COVER						1	
27	D	12303103		MAIN SHAFT						1	

MOR-3900 SUBCLASSES (4)

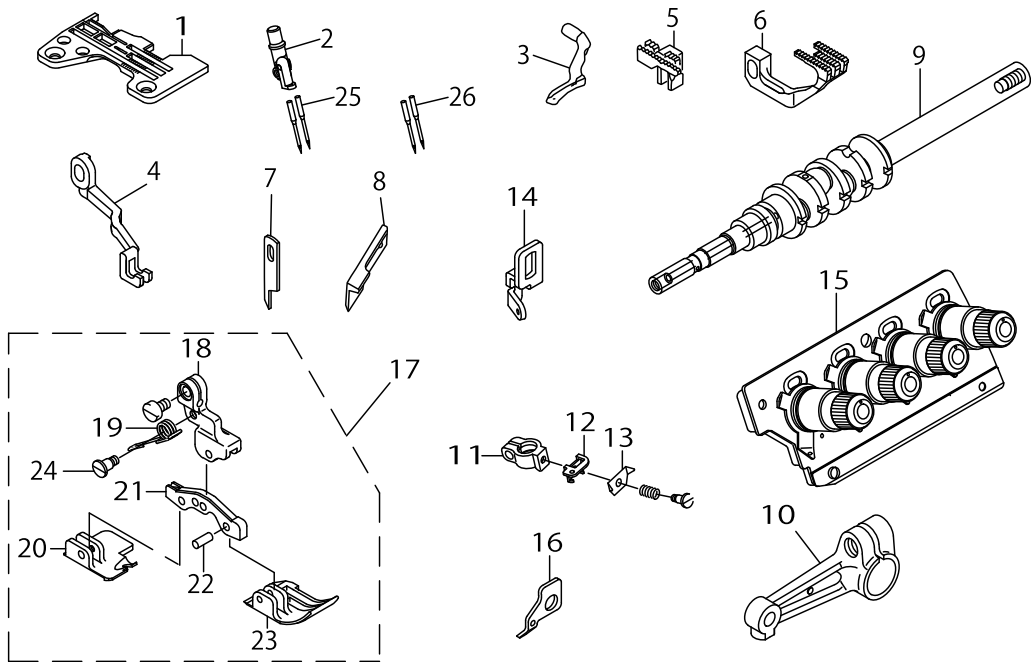
MOR-3916-FF6-50H
MOR-3916E-FF6-50H



MOR-3900 SUBCLASSES (4)

No.	Supply Code	Parts No.	Replacement	Parts name	Remarks	Choice	Step	Level	Cons	Qty	Rep. QTY
1	R	R4612J0FF00	R4612J6FF00	THROAT PLATE						1	1.00
2	R	12150306	12257507	NEEDLE CLAMP, CHAIN LOOPER						1	1.00
3		11991908		UPPER LOOPER						1	
4		12330205		TOP FEED DOG						1	
5		11883006		MAIN FEED DOG						1	
6		12173506		DIFFERENTIAL FEED DOG						1	
7		11845609		KNIFE	FOR JAPAN					1	
8		11845807		UPPER KNIFE	FOR EXPORT					1	
9	D	12303103		MAIN SHAFT						1	
10	R	12122800	12284550	UPPER LOOPER ARM B						1	1.00
11		12304309		NEEDLE CLAMP HOLDER						1	
12	R	12304408	31203201	NEEDLE THREAD PRESSER GUIDE						1	1.00
13	R	12304507	31203300	NEEDLE THREAD PRESSER PLATE						1	1.00
14	R	12304804	31203003	TAKE-UP LEVER G- UIDE,CHAIN LOOP						1	1.00
15	D	12180865		THREAD GUIDE PLATE ASM.						1	
16		12304606		TAKE-UP LEVER GUIDE						1	
17		12320958		PRESSER FOOT ASM.						1	
18	D	12320800		PRESSER FOOT HINGE ARM				*		1	
19		12168506		PRESSER FOOT ARM SPRING				*		1	
20		12165908		REARPRESSERFOOT				*		1	
21		12168407		PRESSER FOOT HINGE				*		1	
22		11930708		PRESSER FOOT HINGE PIN				*		3	
23		12320909		PRESSER FOOT				*		1	
24		B1514816000		SCREW				*		1	
25		MDC270B1600		NEEDLE DCX27 #16						2	
26		MC033601000		NEEDLE B-27 NM100						2	

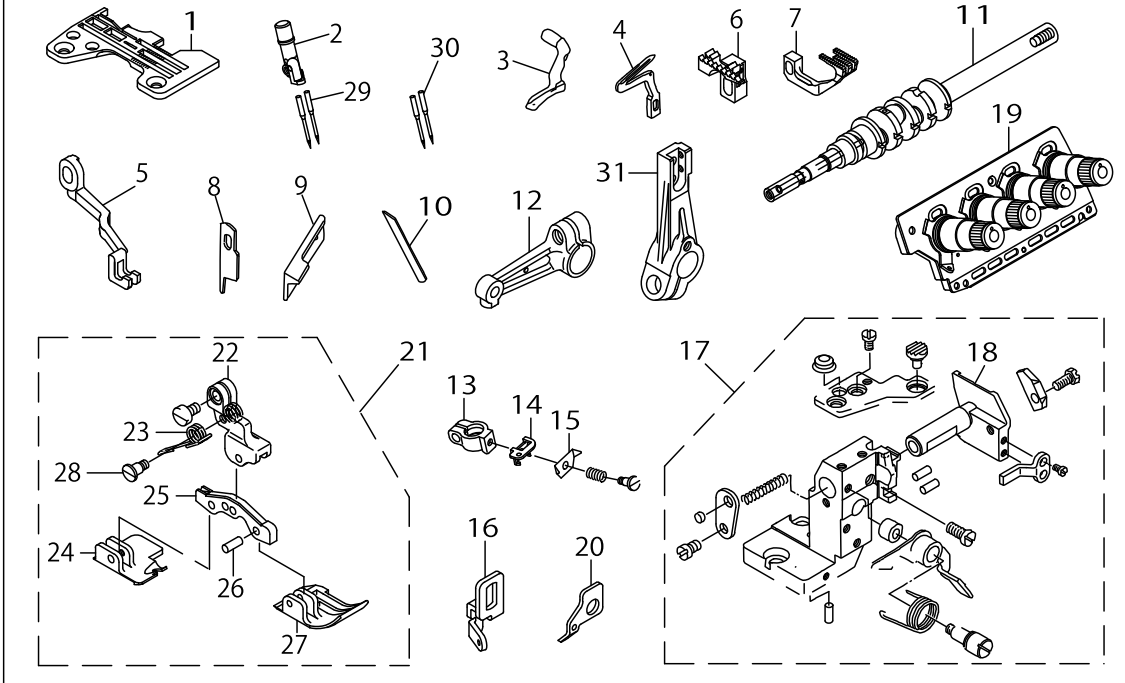
MOR-3916-FH6-50H
MOR-3916E-FH6-50H



MOR-3900 SUBCLASSES (5)

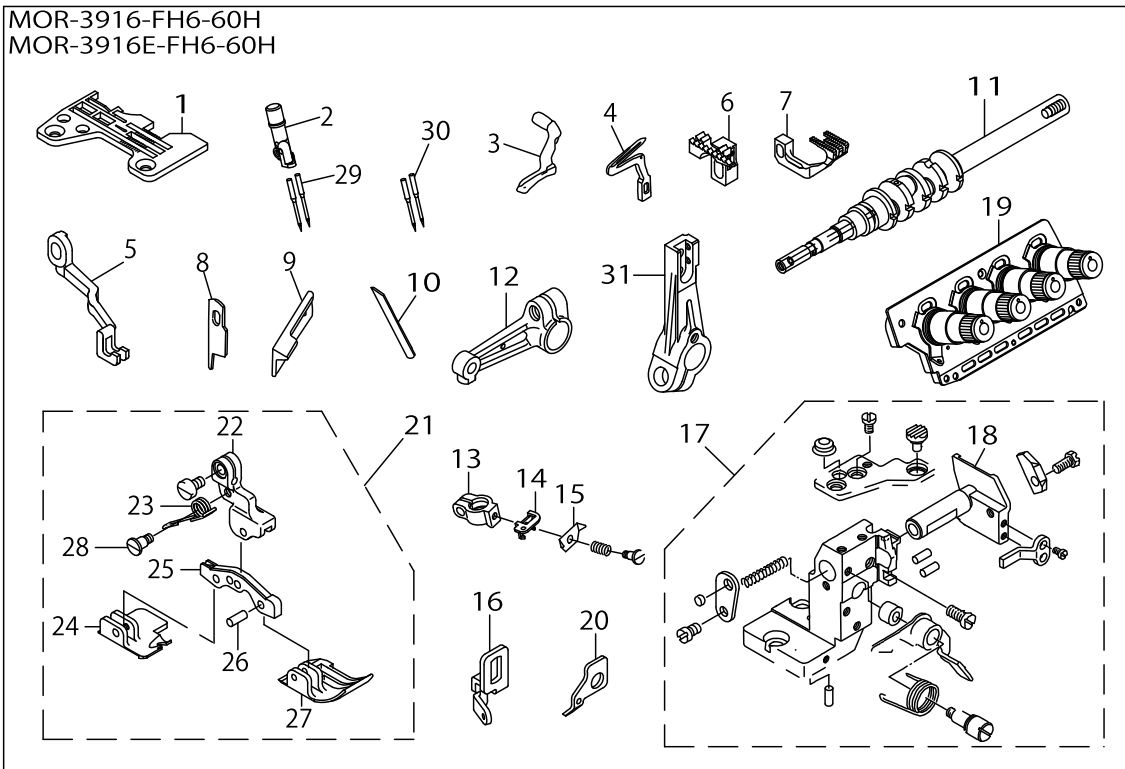
No.	Supply Code	Parts No.	Replacement	Parts name	Remarks	Choice	Step	Level	Cons	Qty	Rep. QTY
1	R	R4612J0HG00	R4612J6HG00	THROAT PLATE						1	1.00
2	R	12150306	12257507	NEEDLE CLAMP, CHAIN LOOPER						1	1.00
3		11991908		UPPER LOOPER						1	
4		12330205		TOP FEED DOG						1	
5		11883006		MAIN FEED DOG						1	
6		12173506		DIFFERENTIAL FEED DOG						1	
7		11845609		KNIFE	FOR JAPAN					1	
8		11845807		UPPER KNIFE	FOR EXPORT					1	
9	D	12303103		MAIN SHAFT						1	
10	R	12122800	12284550	UPPER LOOPER ARM B						1	1.00
11		12304309		NEEDLE CLAMP HOLDER						1	
12	R	12304408	31203201	NEEDLE THREAD PRESSER GUIDE						1	1.00
13	R	12304507	31203300	NEEDLE THREAD PRESSER PLATE						1	1.00
14	R	12304804	31203003	TAKE-UP LEVER G- UIDE,CHAIN LOOP						1	1.00
15	D	12180865		THREAD GUIDE PLATE ASM.						1	
16		12304606		TAKE-UP LEVER GUIDE						1	
17		12320958		PRESSER FOOT ASM.						1	
18	D	12320800		PRESSER FOOT HINGE ARM				*		1	
19		12168506		PRESSER FOOT ARM SPRING				*		1	
20		12165908		REARPRESSERFOOT				*		1	
21		12168407		PRESSER FOOT HINGE				*		1	
22		11930708		PRESSER FOOT HINGE PIN				*		3	
23		12320909		PRESSER FOOT				*		1	
24		B1514816000		SCREW				*		1	
25		MDC270B1600		NEEDLE DCX27 #16						2	
26		MC033601000		NEEDLE B-27 NM100	FOR JE					2	

MOR-3916-FF6-60H
MOR-3916E-FF6-60H



MOR-3900 SUBCLASSES (6)

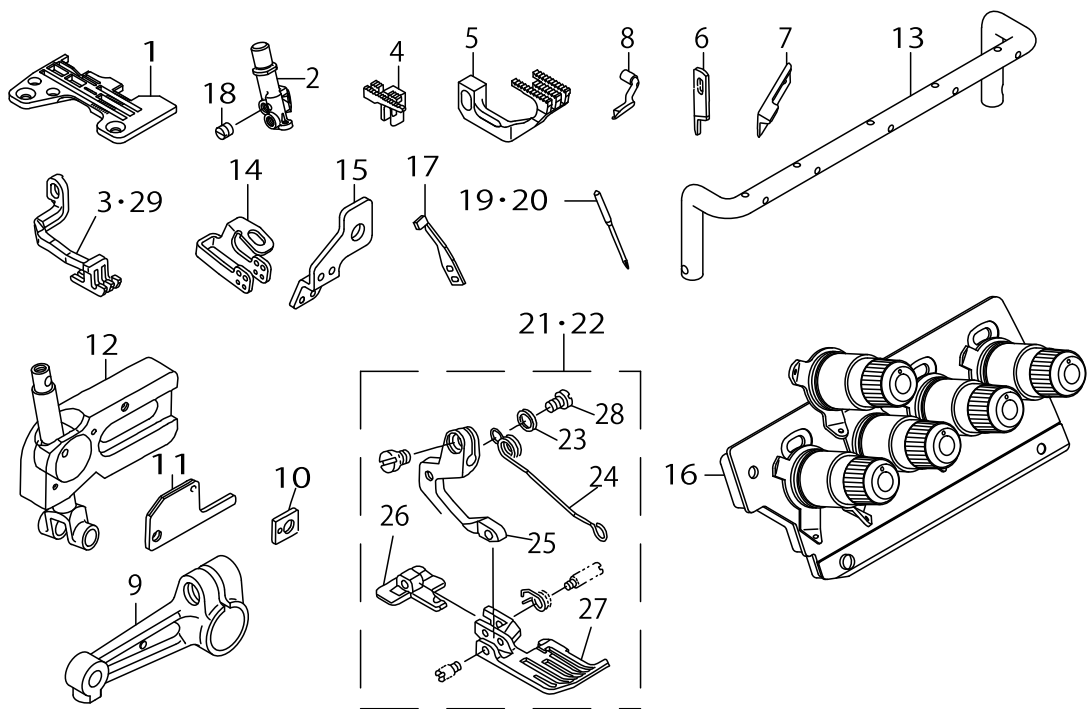
No.	Supply Code	Parts No.	Replacement	Parts name	Remarks	Choice	Step	Level	Cons	Qty	Rep. QTY
1	R	R4612J0FK00	R4612J6FK00	THROAT PLATE						1	1.00
2		12150702		NEEDLE CLAMP, CHAIN LOOPER						1	
3		12176202		UPPER LOOPER						1	
4		11999802		LOWER LOOPER						1	
5		12330205		TOP FEED DOG						1	
6		12171104		MAIN FEED DOG						1	
7		12174207		DIFFERENTIAL FEED DOG						1	
8		12004909		KNIFE	FOR JAPAN					1	
9		B411180400E		UPPER KNIFE	FOR EXPORT					1	
10		11566502		LOWER KNIFE						1	
11		12303202		MAIN SHAFT						1	
12	R	12122800	12284550	UPPER LOOPER ARM B						1	1.00
13		12304309		NEEDLE CLAMP HOLDER						1	
14	R	12304408	31203201	NEEDLE THREAD PRESSER GUIDE						1	1.00
15	R	12304507	31203300	NEEDLE THREAD PRESSER PLATE						1	1.00
16	R	12304804	31203003	TAKE-UP LEVER G- UIDE,CHAIN LOOP						1	1.00
17		12133682		LOWER KNIFE BRACKET ASM.						1	
18	D	12133500		LOWER KNIFE SLIDE STUD				*		1	
19		12181251		THREAD GUIDE PLATE ASM.						1	
20		12304606		TAKE-UP LEVER GUIDE						1	
21		12320958		PRESSER FOOT ASM.						1	
22	D	12320800		PRESSER FOOT HINGE ARM				*		1	
23		12168506		PRESSER FOOT ARM SPRING				*		1	
24		12165908		REARPRESSERFOOT				*		1	
25		12168407		PRESSER FOOT HINGE				*		1	
26		11930708		PRESSER FOOT HINGE PIN				*		1	
27		12320909		PRESSER FOOT				*		1	
28		B1514816000		SCREW				*		1	
29		MDC270B2100		NEEDLE DCX27 #21						2	
30		MC033601300		NEEDLE B-27 NM130	FOR JE					2	
31		12124806		LOWER LOOPER SUPPORT ARM.						1	



MOR-3900 SUBCLASSES (7)

No.	Supply Code	Parts No.	Replacement	Parts name	Remarks	Choice	Step	Level	Cons	Qty	Rep. QTY
1	R	R4612J0HK00	R4612J6HK00	THROAT PLATE						1	1.00
2		12150702		NEEDLE CLAMP, CHAIN LOOPER						1	
3		12176202		UPPER LOOPER						1	
4		11999802		LOWER LOOPER						1	
5		12330205		TOP FEED DOG						1	
6		12171104		MAIN FEED DOG						1	
7		12174207		DIFFERENTIAL FEED DOG						1	
8		12004909		KNIFE	FOR JAPAN					1	
9		B411180400E		UPPER KNIFE	FOR EXPORT					1	
10		11566502		LOWER KNIFE						1	
11		12303202		MAIN SHAFT						1	
12	R	12122800	12284550	UPPER LOOPER ARM B						1	1.00
13		12304309		NEEDLE CLAMP HOLDER						1	
14	R	12304408	31203201	NEEDLE THREAD PRESSER GUIDE						1	1.00
15	R	12304507	31203300	NEEDLE THREAD PRESSER PLATE						1	1.00
16	R	12304804	31203003	TAKE-UP LEVER G- UIDE,CHAIN LOOP						1	1.00
17		12133682		LOWER KNIFE BRACKET ASM.						1	
18	D	12133500		LOWER KNIFE SLIDE STUD				*		1	
19		12181251		THREAD GUIDE PLATE ASM.						1	
20		12304606		TAKE-UP LEVER GUIDE						1	
21		12320958		PRESSER FOOT ASM.						1	
22	D	12320800		PRESSER FOOT HINGE ARM				*		1	
23		12168506		PRESSER FOOT ARM SPRING				*		1	
24		12165908		REARPRESSERFOOT				*		1	
25		12168407		PRESSER FOOT HINGE				*		1	
26		11930708		PRESSER FOOT HINGE PIN				*		1	
27		12320909		PRESSER FOOT				*		1	
28		B1514816000		SCREW				*		1	
29		MDC270B2100		NEEDLE DCX27 #21						2	
30		MC033601300		NEEDLE B-27 NM130	FOR JE					2	
31		12124806		LOWER LOOPER SUPPORT ARM.						1	

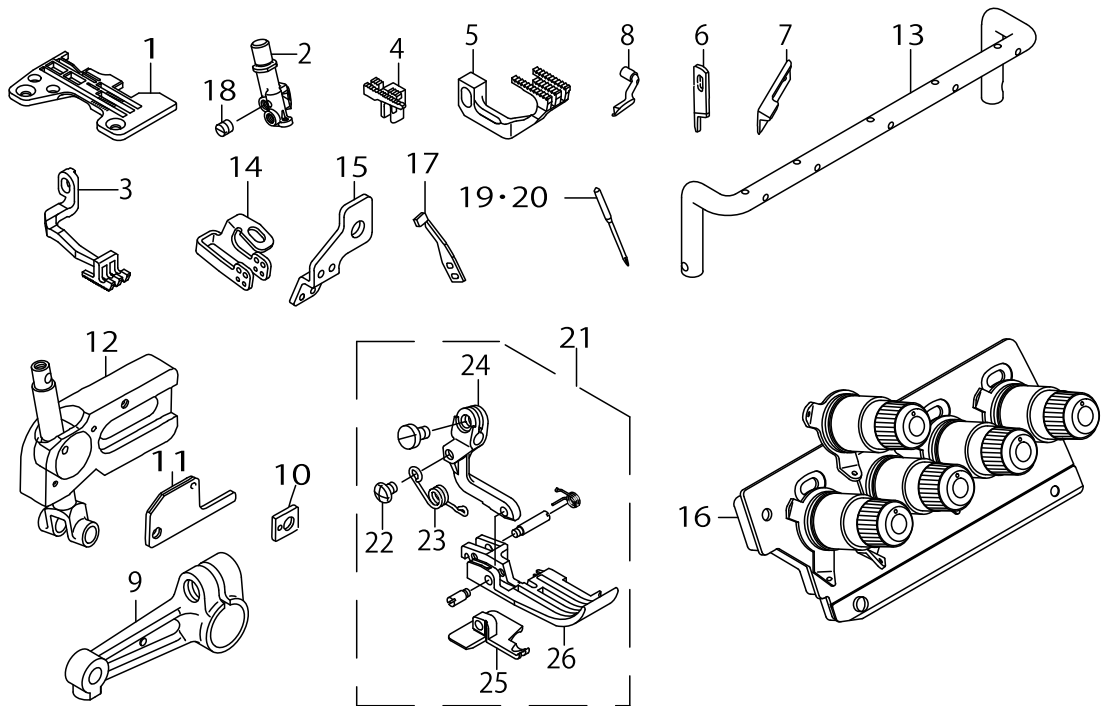
MOR-3943-DBD6-307
MOR-3943E-DBD6-307



MOR-3900 SUBCLASSES (8)

No.	Supply Code	Parts No.	Replacement	Parts name	Remarks	Choice	Step	Level	Cons	Qty	Rep. QTY
1	R	R4608J0DE01	R4608J6DE01	THROAT PLATE						1	1.00
2		12150504		CHAIN LOOPER NEEDLE CLAMP						1	
3		11937109		TOP FEED DOG	FOR JAPAN					1	
4		11882305		MAIN FEED DOG						1	
5		12173308		DIFFERENTIAL FEED DOG						1	
6		11845609		KNIFE	FOR JAPAN					1	
7		11845807		UPPER KNIFE	FOR EXPORT					1	
8		12176004		UPPER LOOPER						1	
9	R	12122800	12284550	UPPER LOOPER ARM B						1	1.00
10	R	11831807	13131909	GAUGE						1	1.00
11		B251570400B		UPPER LOOPER GUIDE COVER B						1	
12	R	12123154	40016841	UPPER LOOPER GUIDE ASM., B						1	1.00
13		12128401		THREAD GUIDE						1	
14		12146403		NEEDLE THREAD G- UIDE, 3-NEEDLE						1	
15		12111902		TAKE-UP LEVER G- UIDE, 2-NEEDLE						1	
16		12180964		THREAD GUIDE PLATE ASM.						1	
17		11999406		NEEDLE HOLDER						1	
18		SS8080310TP		SCREW 1/8-44 L=2.8						1	
19		MDC270B1100		NEEDLE DCX27 #11						1	
20	D	MC033600750		NEEDLE B-27 NM75	FOR JE					1	
21	D	11933355		PRESSER FOOT ASM.	FOR JAPAN					1	
22		11941457		PRESSER FOOT ASM.	FOR EXPORT					1	
23		WP0371026SD		WASHER 3.7X7X1				*		1	
24		11931201		PRESSER FOOT SPRING				*		1	
25	D	11925302		PRESSER FOOT HINGE				*		1	
26		11929809		REARPRESSERFOOT				*		1	
27		11927209		PRESSER FOOT				*		1	
28		SS7080520SP		SCREW 1/8-44 L=4.9				*		1	
29		11941903		TOP FEED DOG	FOR EXPORT					1	

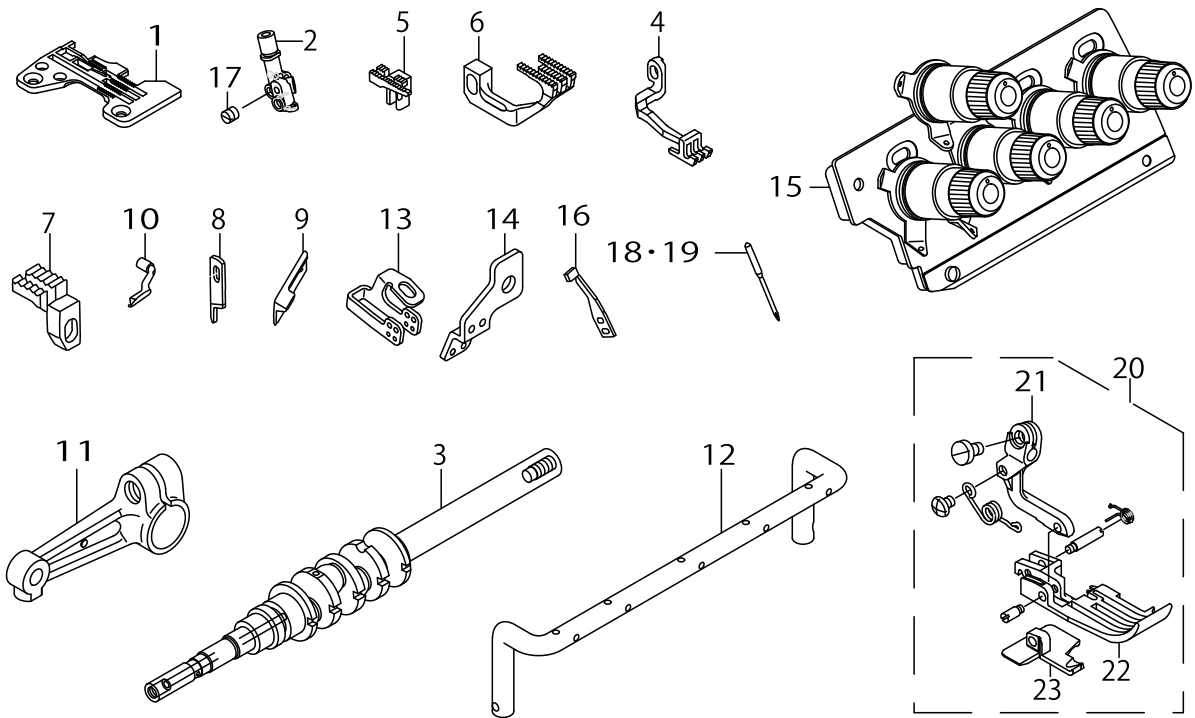
MOR-3943-FBD6-307
MOR-3943E-FBD6-307



MOR-3900 SUBCLASSES (9)

No.	Supply Code	Parts No.	Replacement	Parts name	Remarks	Choice	Step	Level	Cons	Qty	Rep. QTY
1	R	R4612J0DE01	R4612J6DE01	THROAT PLATE						1	1.00
2	R	12150603	12275004	CHAIN LOOPER NEEDLE CLAMP						1	1.00
3		12330114		TOP FEED DOG						1	
4		11884004		MAIN FEED DOG						1	
5		12173308		DIFFERENTIAL FEED DOG						1	
6		11845609		KNIFE	FOR JAPAN					1	
7		11845807		UPPER KNIFE	FOR EXPORT					1	
8		12176004		UPPER LOOPER						1	
9	R	12122800	12284550	UPPER LOOPER ARM B						1	1.00
10	R	11831807	13131909	GAUGE						1	1.00
11		B251570400B		UPPER LOOPER GUIDE COVER B						1	
12	R	12123154	40016841	UPPER LOOPER GUIDE ASM., B						1	1.00
13		12128401		THREAD GUIDE						1	
14		12146403		NEEDLE THREAD G- UIDE, 3-NEEDLE						1	
15		12111902		TAKE-UP LEVER G- UIDE, 2-NEEDLE						1	
16		12180964		THREAD GUIDE PLATE ASM.						1	
17		11999406		NEEDLE HOLDER						1	
18		SS8080310TP		SCREW 1/8-44 L=2.8						1	
19		MDC270B1100		NEEDLE DCX27 #11						1	
20	D	MC033600750		NEEDLE B-27 NM75	FOR JE					1	
21		12321451		PRESSER ASM.						1	
22		SS4080415SP		SCREW 1/8-44 L=4				*		1	
23		12320305		PRESSER FOOT ARM SPRING				*		1	
24	D	12320701		PRESSER FOOT HINGE				*		1	
25	R	12320602	12321451	REARPRESSERFOOT				*		1	1.00
26	R	12321402	12321451	PRESSER FOOT				*		1	1.00

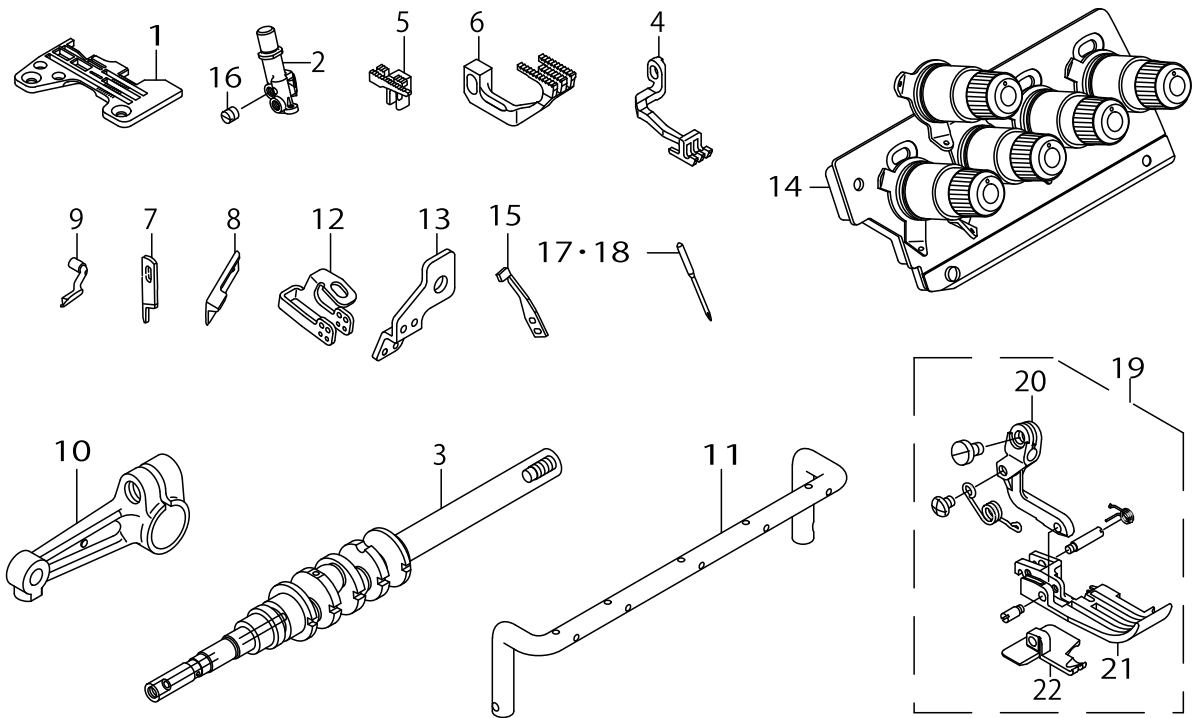
MOR-3943-BBD6-30H
MOR-3943E-BBD6-30H



MOR-3900 SUBCLASSES (10)

No.	Supply Code	Parts No.	Replacement	Parts name	Remarks	Choice	Step	Level	Cons	Qty	Rep. QTY
1		R4605J0DE01		THROAT PLATE						1	
2		12304903		CHAIN LOOPER NEEDLE CLAMP						1	
3	D	12303103		MAIN SHAFT						1	
4		12330700		TOP FEED DOG						1	
5	D	11882701		MAIN FEED DOG						1	
6		11886801		DIFFERENTIAL FEED DOG						1	
7		11887304		AUXILIARY FEED DOG						1	
8		11845609		KNIFE	FOR JAPAN					1	
9		11845807		UPPER KNIFE	FOR EXPORT					1	
10		12176103		UPPER LOOPER						1	
11	R	12122800	12284550	UPPER LOOPER ARM B						1	1.00
12		12128401		THREAD GUIDE						1	
13		12146403		NEEDLE THREAD GUIDE, 3-NEEDLE						1	
14		12111902		TAKE-UP LEVER GUIDE, 2-NEEDLE						1	
15		12180964		THREAD GUIDE PLATE ASM.						1	
16		11999406		NEEDLE HOLDER						1	
17		SS8080310TP		SCREW 1/8-44 L=2.8						3	
18		MDC270B1100		NEEDLE DCX27 #11						3	
19	D	MC033600750		NEEDLE B-27 NM75	FOR EXPORT					3	
20		12321055		PRESSER ASM.						1	
21	D	12320701		PRESSER FOOT HINGE				*		1	
22		12321006		PRESSER FOOT				*		1	
23		12321105		REARPRESSERFOOT				*		1	

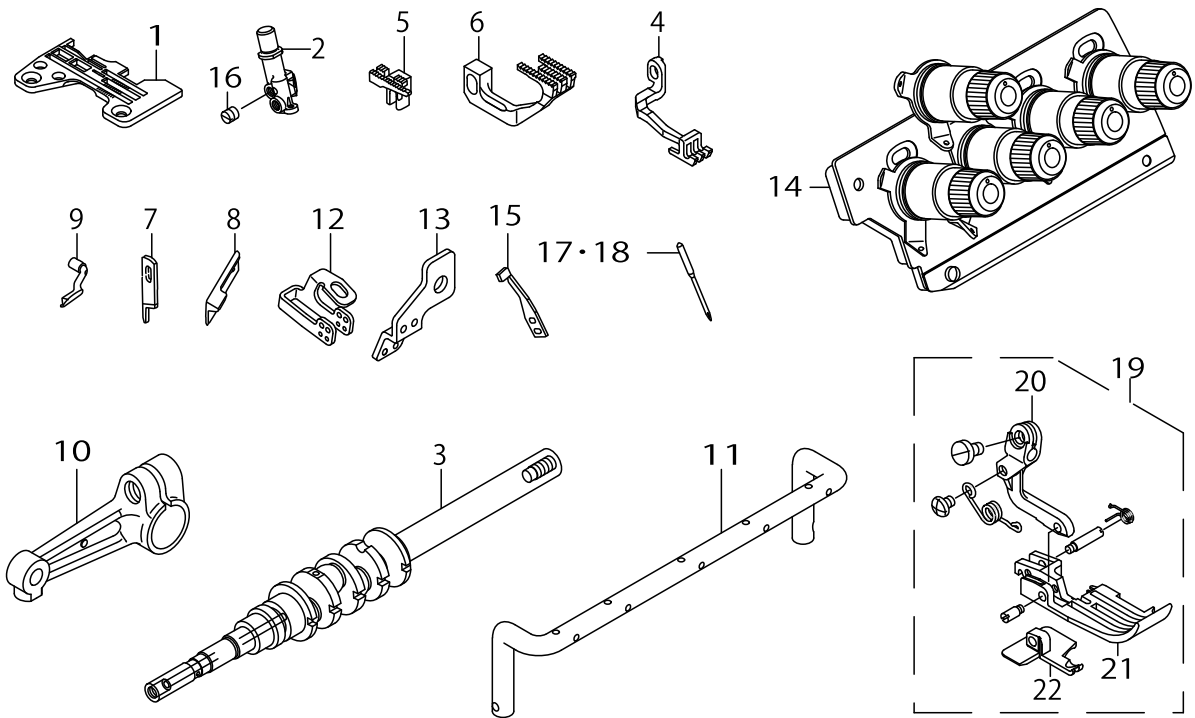
MOR-3943-DBD6-30H
MOR-3943E-DBD6-30H



MOR-3900 SUBCLASSES (11)

No.	Supply Code	Parts No.	Replacement	Parts name	Remarks	Choice	Step	Level	Cons	Qty	Rep. QTY
1	R	R4608J0DE01	R4608J6DE01	THROAT PLATE						1	1.00
2		12150504		CHAIN LOOPER NEEDLE CLAMP						1	
3	D	12303103		MAIN SHAFT						1	
4		12330114		TOP FEED DOG						1	
5		11882305		MAIN FEED DOG						1	
6		12173308		DIFFERENTIAL FEED DOG						1	
7		11845609		KNIFE	FOR JAPAN					1	
8		11845807		UPPER KNIFE	FOR EXPORT					1	
9		12176103		UPPER LOOPER						1	
10	R	12122800	12284550	UPPER LOOPER ARM B						1	1.00
11		12128401		THREAD GUIDE						1	
12		12146403		NEEDLE THREAD G- UIDE, 3-NEEDLE						1	
13		12111902		TAKE-UP LEVER G- UIDE, 2-NEEDLE						1	
14		12180964		THREAD GUIDE PLATE ASM.						1	
15		11999406		NEEDLE HOLDER						1	
16		SS8080310TP		SCREW 1/8-44 L=2.8						3	
17		MDC270B1100		NEEDLE DCX27 #11						3	
18	D	MC033600750		NEEDLE B-27 NM75	FOR EXPORT					3	
19		12321253		PRESSER ASM.						1	
20	D	12320701		PRESSER FOOT HINGE				*		1	
21		12321204		PRESSER FOOT				*		1	
22		12321303		REARPRESSERFOOT				*		1	

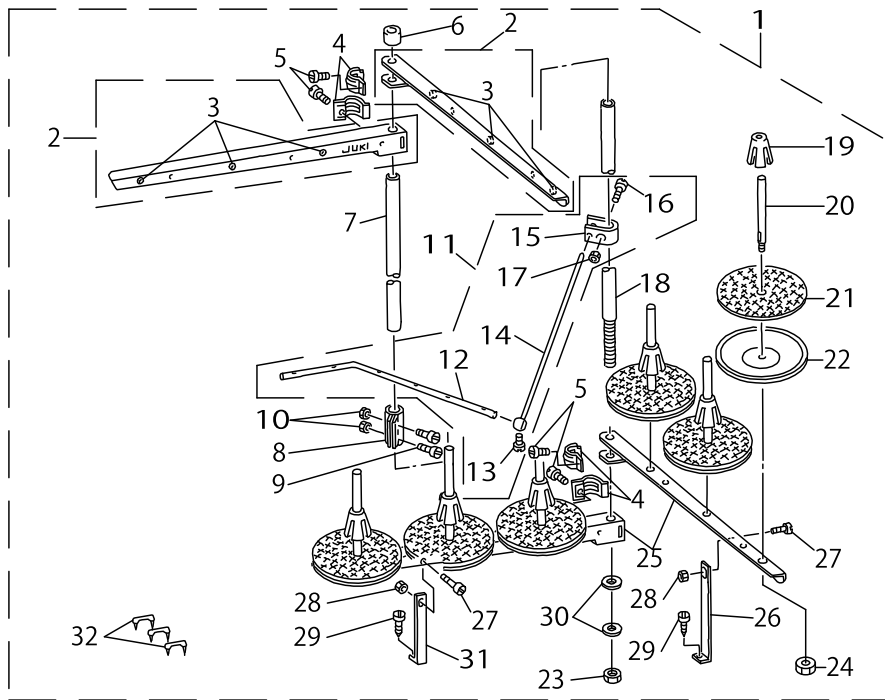
MOR-3943-FBD6-30H
MOR-3943E-FBD6-30H



MOR-3900 SUBCLASSES (12)

No.	Supply Code	Parts No.	Replacement	Parts name	Remarks	Choice	Step	Level	Cons	Qty	Rep. QTY
1	R	R4612J0DE01	R4612J6DE01	THROAT PLATE						1	1.00
2		12275004		NEEDLE CLAMP CHAIN LOOPER.						1	
3	D	12303103		MAIN SHAFT						1	
4		12330114		TOP FEED DOG						1	
5		11884004		MAIN FEED DOG						1	
6		12173308		DIFFERENTIAL FEED DOG						1	
7		11845609		KNIFE	FOR JAPAN					1	
8		11845807		UPPER KNIFE	FOR EXPORT					1	
9		12176103		UPPER LOOPER						1	
10	R	12122800	12284550	UPPER LOOPER ARM B						1	1.00
11		12128401		THREAD GUIDE						1	
12		12146403		NEEDLE THREAD G- UIDE, 3-NEEDLE						1	
13		12111902		TAKE-UP LEVER G- UIDE, 2-NEEDLE						1	
14		12180964		THREAD GUIDE PLATE ASM.						1	
15		11999406		NEEDLE HOLDER						1	
16		SS8080310TP		SCREW 1/8-44 L=2.8						3	
17		MDC270B1100		NEEDLE DCX27 #11						3	
18	D	MC033600750		NEEDLE B-27 NM75	FOR EXPORT					3	
19		12321451		PRESSER ASM.						1	
20	D	12320701		PRESSER FOOT HINGE				*		1	
21	R	12321402	12321451	PRESSER FOOT				*		1	1.00
22	R	12320602	12321451	REARPRESSERFOOT				*		1	1.00

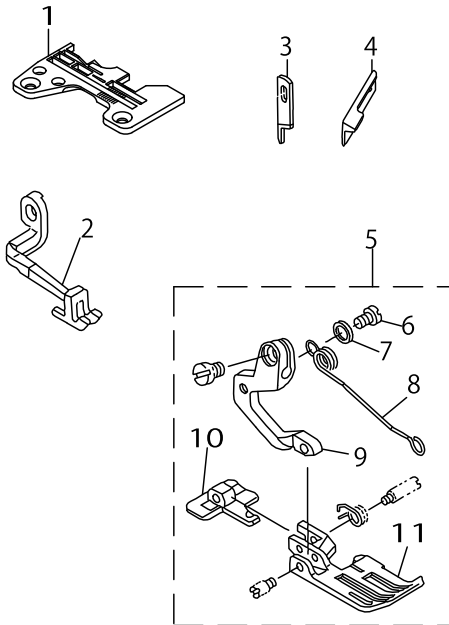
THREAD STAND COMPONENTS (FOR MOR-3943)



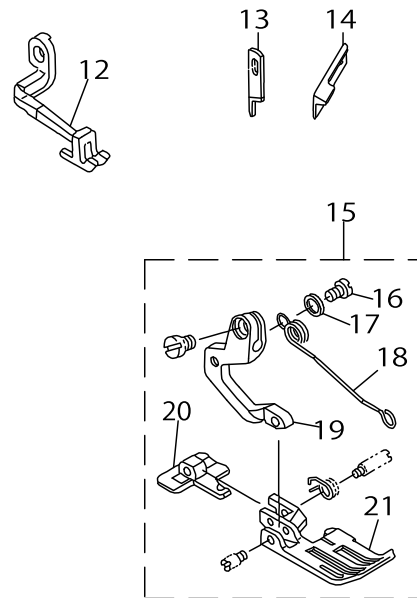
THREAD STAND COMPONENTS (FOR MOR-3943)

No.	Supply Code	Parts No.	Replacement	Parts name	Remarks	Choice	Step	Level	Cons	Qty	Rep. QTY
1	R	11969854	40106586	THREAD STAND ASM.						1	1.00
2	D	11969565		SPOOL REST ARM A ASM.				*		2	
3	R	B3319704L00	22931208	THREAD GUIDE				*		6	1.00
4		B3318704L00A		THREAD GUIDE ARM JOINT				*		4	
5		SM6061610SC		SCREW M6 L=16				*		4	
6	R	B3311704000	22931406	SPOOL REST ROD CAP				*		1	1.00
7	R	11185204	40096354	SPOOL REST ROD,UPPER				*		1	1.00
8	R	B3305704000A	40096354	SPOOL REST ROD JOINT				*		1	1.00
9		SM4051405SE		SCREW M5 L=14				*		2	
10		NM6050001SE		NUT M5				*		2	
11		B33098430A0		THREAD GUIDE ARM ASM.				*		1	
12		B3311843000		LOWER THREAD GUIDE				*		1	
13		SS7110540SP		SCREW 11/64-40 L=5				*		1	
14	R	B3309704000	26910059	THREAD GUIDE ARM				*		1	1.00
15	D	B3304704000A		THREAD GUIDE ARM HOLDER				*		1	
16	D	SM6053000SE		SCREW M5X0.8 L=30				*		1	
17		NM6050001SE		NUT M5				*		1	
18	R	11185105	40096354	SPOOL REST ROD,LOWER				*		1	1.00
19	D	11185501		SPOOL RETAINER				*		6	
20	R	B3320704L00A	40085790	SPOOL PIN				*		6	1.00
21	D	B3311012000		SPOOL REST CUSHION				*		6	
22	R	11966504	22930804	SPOOL REST				*		6	1.00
23	R	B3317704000	NM6160511SE	NUT				*		1	1.00
24		NM6050001SE		NUT M5				*		6	
25	R	11969508	13168802	SPOOL REST ARM A				*		2	1.00
26	D	B3321704L0B		SPOOL REST ARM SUPPORT, B				*		1	
27		SM4061201SE		SCREW M6 L=12				*		2	
28		NM6060001SE		NUT M6				*		2	
29		SK3382001SE		SCREW D=3.8 L=20				*		2	
30		WP1612616SE		WASHER 16X30X2.6				*		2	
31		B3321704L00		SPOOL REST ARM SUPPORT, A				*		1	
32		MAO11532000		CORD STAPLE				*		3	

MOR-3916-DD4-320
MOR-3916E-DD4-320



MOR-3916-DE4-320
MOR-3916E-DE4-320

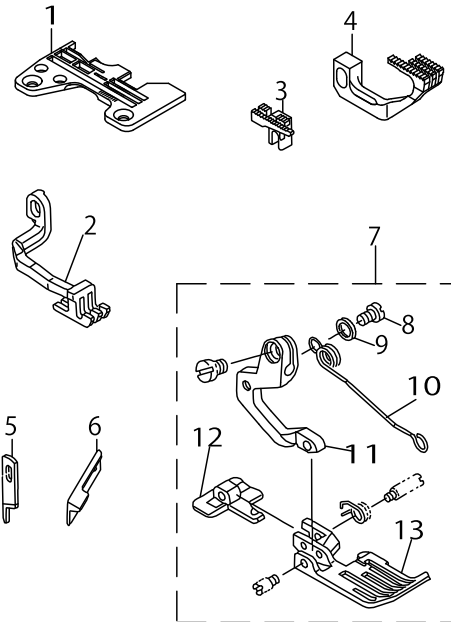


MOR-3900 SUBCLASSES (13)

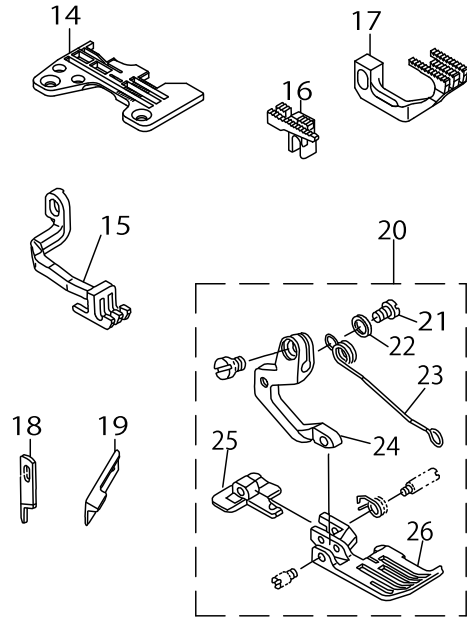
No.	Supply Code	Parts No.	Replacement	Parts name	Remarks	Choice	Step	Level	Cons	Qty	Rep. QTY
1	R	R4508J0DD00	R4508J6DD00	THROAT PLATE						1	1.00
2		12330403		TOP FEED DOG						1	
3		11845609		KNIFE	FOR JAPAN					1	
4		11845807		UPPER KNIFE	FOR EXPORT					1	
5	D	11934056		PRESSER FOOT ASM.						1	
6		SS7080520SP		SCREW 1/8-44 L=4.9				*		1	
7		WP0371026SD		WASHER 3.7X7X1				*		1	
8		11931102		PRESSER FOOT SPRING				*		1	
9	D	11925203		PRESSER FOOT HINGE				*		1	
10		11935806		REARPRESSERFOOT				*		1	
11	D	11927407		PRESSER FOOT				*		1	
12		12330403		TOP FEED DOG						1	
13		11845609		KNIFE	FOR JAPAN					1	
14		11845807		UPPER KNIFE	FOR EXPORT					1	
15	D	11934056		PRESSER FOOT ASM.						1	
16		SS7080520SP		SCREW 1/8-44 L=4.9				*		1	
17		WP0371026SD		WASHER 3.7X7X1				*		1	
18		11931102		PRESSER FOOT SPRING				*		1	
19	D	11925203		PRESSER FOOT HINGE				*		1	
20		11935806		REARPRESSERFOOT				*		1	
21	D	11927407		PRESSER FOOT				*		1	

MOR-3900 SUBCLASSES (14)

MOR-3916-DE6-320
MOR-3916E-DE6-320



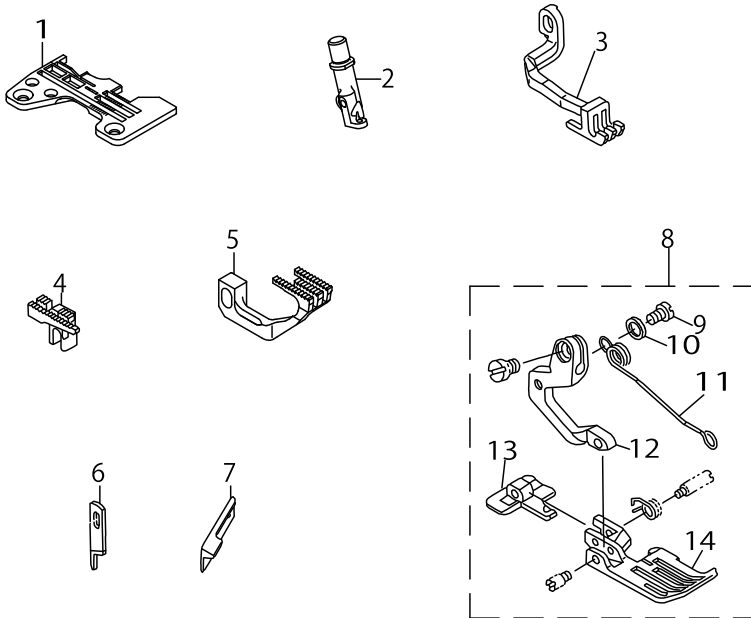
MOR-3916-DF6-320
MOR-3916E-DF6-320



MOR-3900 SUBCLASSES (14)

No.	Supply Code	Parts No.	Replacement	Parts name	Remarks	Choice	Step	Level	Cons	Qty	Rep. QTY
1	R	R4608J0ED00	R4608J6ED00	THROAT PLATE						1	1.00
2		12330502		TOP FEED DOG						1	
3		11882909		MAIN FEED DOG						1	
4		12173209		DIFFERENTIAL FEED DOG						1	
5		11845609		KNIFE	FOR JAPAN					1	
6		11845807		UPPER KNIFE	FOR EXPORT					1	
7		11939956		PRESSER FOOT ASM.						1	
8		SS7080520SP		SCREW 1/8-44 L=4.9				*		1	
9		WP0371026SD		WASHER 3.7X7X1				*		1	
10		11931102		PRESSER FOOT SPRING				*		1	
11	D	11925203		PRESSER FOOT HINGE				*		1	
12		11929700		REARPRESSERFOOT				*		1	
13		11939907		PRESSER				*		1	
14	R	R4608J0FD00	R4608J6FD00	THROAT PLATE						1	1.00
15		12330601		TOP FEED DOG						1	
16		11987708		MAIN FEED DOG						1	
17		12173308		DIFFERENTIAL FEED DOG						1	
18		11845609		KNIFE	FOR JAPAN					1	
19		11845807		UPPER KNIFE	FOR EXPORT					1	
20		11932951		PRESSER FOOT ASM.						1	
21		SS7080520SP		SCREW 1/8-44 L=4.9				*		1	
22		WP0371026SD		WASHER 3.7X7X1				*		1	
23		11931201		PRESSER FOOT SPRING				*		1	
24	D	11925302		PRESSER FOOT HINGE				*		1	
25		11929809		REARPRESSERFOOT				*		1	
26	R	11926805	11932951	PRESSER FOOT				*		1	1.00

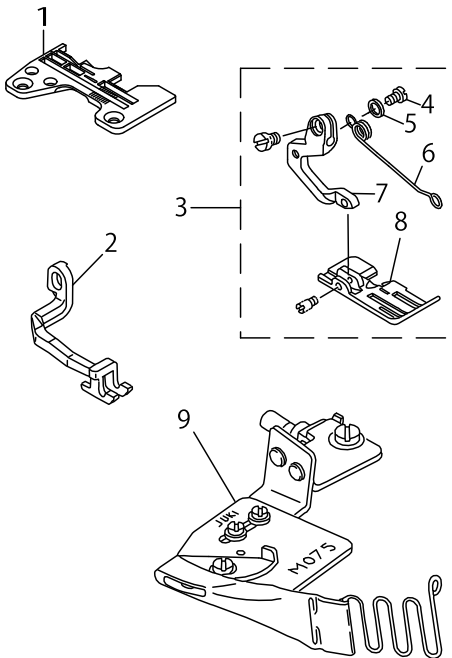
MOR-3916-FF6-320
MOR-3916E-FF6-320



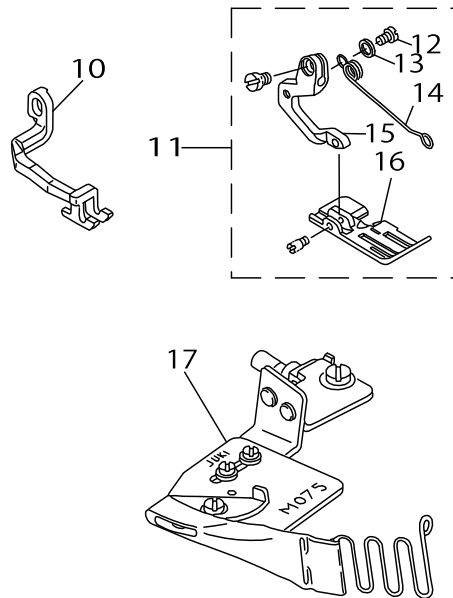
MOR-3900 SUBCLASSES (15)

No.	Supply Code	Parts No.	Replacement	Parts name	Remarks	Choice	Step	Level	Cons	Qty	Rep. QTY
1	R	R4612J0FD00	R4612J6FD00	THROAT PLATE						1	1.00
2	R	12150306	12257507	NEEDLE CLAMP, CHAIN LOOPER						1	1.00
3		12330601		TOP FEED DOG						1	
4		11884004		MAIN FEED DOG						1	
5		12173308		DIFFERENTIAL FEED DOG						1	
6		11845609		KNIFE	FOR JAPAN					1	
7		11845807		UPPER KNIFE	FOR EXPORT					1	
8		11933058		PRESSER FOOT ASM.						1	
9		SS7080520SP		SCREW 1/8-44 L=4.9				*		1	
10		WP0371026SD		WASHER 3.7X7X1				*		1	
11		11931201		PRESSER FOOT SPRING				*		1	
12	D	11925302		PRESSER FOOT HINGE				*		1	
13	D	11929908		REARPRESSERFOOT				*		1	
14	R	11926904	11933058	PRESSER FOOT				*		1	1.00

MOR-3916-DD4-330/M075
MOR-3916E-DD4-330/M075



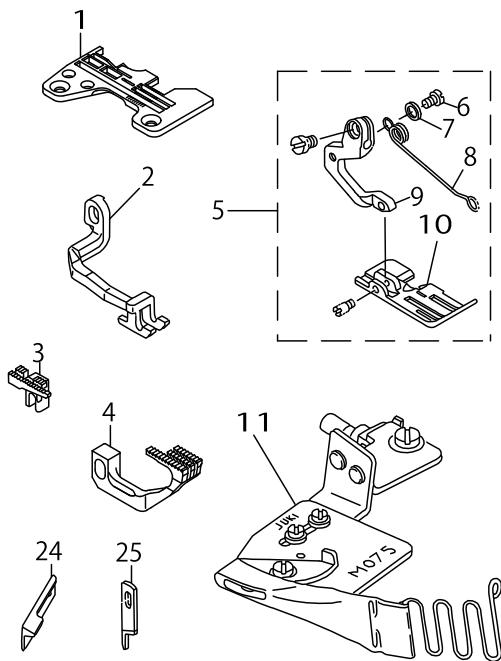
MOR-3916-DE4-330/M075
MOR-3916E-DE4-330/M075



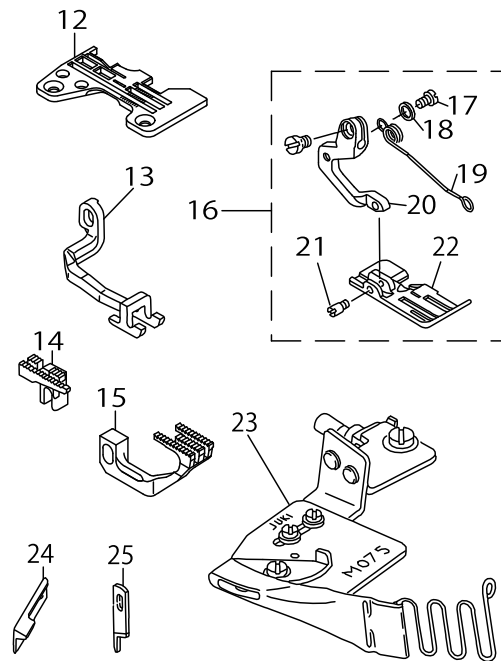
MOR-3900 SUBCLASSES (16)

No.	Supply Code	Parts No.	Replacement	Parts name	Remarks	Choice	Step	Level	Cons	Qty	Rep. QTY
1	R	R4508J0DD00	R4508J6DD00	THROAT PLATE						1	1.00
2		11938008		TOP FEED DOG						1	
3	D	11934254		PRESSER FOOT ASM.						1	
4		SS7080520SP		SCREW 1/8-44 L=4.9				*		1	
5		WP0371026SD		WASHER 3.7X7X1				*		1	
6		11931102		PRESSER FOOT SPRING				*		1	
7	D	11925203		PRESSER FOOT HINGE				*		1	
8	D	11927605		PRESSER FOOT				*		1	
9		MAM0750J0A0		PIPING FOLDER ASM. 9MM						1	
10		11938008		TOP FEED DOG						1	
11	D	11934254		PRESSER FOOT ASM.						1	
12		SS7080520SP		SCREW 1/8-44 L=4.9				*		1	
13		WP0371026SD		WASHER 3.7X7X1				*		1	
14		11931102		PRESSER FOOT SPRING				*		1	
15	D	11925203		PRESSER FOOT HINGE				*		1	
16	D	11927605		PRESSER FOOT				*		1	
17		MAM0750J0A0		PIPING FOLDER ASM. 9MM						1	

MOR-3916-DE6-330/M075
MOR-3916E-DE6-330/M075



MOR-3916-DF6-330/M075
MOR-3916E-DF6-330/M075

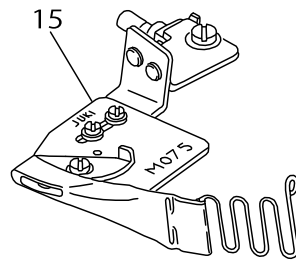
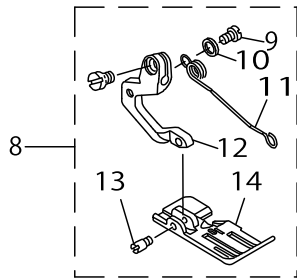
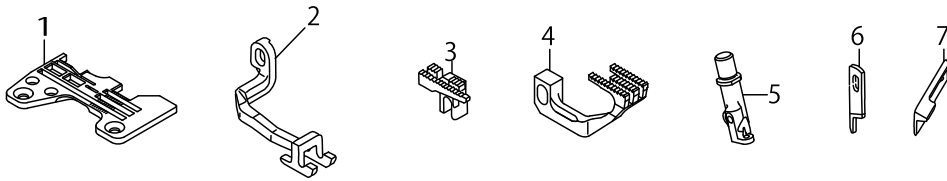


MOR-3900 SUBCLASSES (17)

No.	Supply Code	Parts No.	Replacement	Parts name	Remarks	Choice	Step	Level	Cons	Qty	Rep. QTY
1	R	R4608J0ED00	R4608J6ED00	THROAT PLATE						1	1.00
2		11938008		TOP FEED DOG						1	
3		11882909		MAIN FEED DOG						1	
4		12173209		DIFFERENTIAL FEED DOG						1	
5	D	11934254		PRESSER FOOT ASM.						1	
6		SS7080520SP		SCREW 1/8-44 L=4.9				*		1	
7		WP0371026SD		WASHER 3.7X7X1				*		1	
8		11931102		PRESSER FOOT SPRING				*		1	
9	D	11925203		PRESSER FOOT HINGE				*		1	
10	D	11927605		PRESSER FOOT				*		1	
11		MAM0750J0A0		PIPING FOLDER ASM. 9MM						1	
12	R	R4608J0FD00	R4608J6FD00	THROAT PLATE						1	1.00
13	D	11938107		TOP FEED DOG						1	
14		11987708		MAIN FEED DOG						1	
15		12173308		DIFFERENTIAL FEED DOG						1	
16		11934353		PRESSER FOOT ASM.						1	
17		SS7080520SP		SCREW 1/8-44 L=4.9				*		1	
18		WP0371026SD		WASHER 3.7X7X1				*		1	
19		11931201		PRESSER FOOT SPRING				*		1	
20	D	11925203		PRESSER FOOT HINGE				*		1	
21		11930609		HINGE PIN				*		1	
22	R	11927704	11934353	PRESSER FOOT				*		1	1.00
23		MAM0750J0A0		PIPING FOLDER ASM. 9MM						1	
24		11845807		UPPER KNIFE	FOR EXPORT					1	
25		11845609		KNIFE	FOR JAPAN					1	

MOR-3900 SUBCLASSES (18)

MOR-3916-FF6-330/M075
MOR-3916E-FF6-330/M075



MOR-3900 SUBCLASSES (18)

No.	Supply Code	Parts No.	Replacement	Parts name	Remarks	Choice	Step	Level	Cons	Qty	Rep. QTY
1	R	R4612J0FD00	R4612J6FD00	THROAT PLATE						1	1.00
2	D	11938107		TOP FEED DOG						1	
3		11884004		MAIN FEED DOG						1	
4		12173308		DIFFERENTIAL FEED DOG						1	
5	R	12150306	12257507	NEEDLE CLAMP, CHAIN LOOPER						1	1.00
6		11845609		KNIFE	FOR JAPAN					1	
7		11845807		UPPER KNIFE	FOR EXPORT					1	
8	D	11934452		PRESSER FOOT ASM.						1	
9		SS7080520SP		SCREW 1/8-44 L=4.9				*		1	
10		WP0371026SD		WASHER 3.7X7X1				*		1	
11		11931201		PRESSER FOOT SPRING				*		1	
12	D	11925203		PRESSER FOOT HINGE				*		1	
13		11930609		HINGE PIN				*		1	
14	D	11927803		PRESSER FOOT				*		1	
15		MAM0750J0A0		PIPING FOLDER ASM. 9MM						1	

HOW TO MAKE USE OF THIS PARTS LIST

1.Explanation of codes

1)"*"mark.....means this part is changed from the previous parts book.

As to the details of the change, refer to the "List for information of change".

2)"#01".....refer to "Note" explanation at bottom of page.

2.Codes on the "Qty" column

• Each numeral indicates the number of parts required.

• "0.1" and "2.5" indicate the length (in meters) of the respective parts.

3.Parentheses mean that the corresponding part is a subpart that constructs an assembly part.

4.Dotted lines on the Figures indicate assembly parts.

1."注記"欄の記号説明

1) "*"印.....前回のパーツブックに比較して今回変更された部品を意味します。

変更内容は、"変更情報リスト"を参照してください。

2) "#01".....ページ下の"注記"の説明を参照してください。

2.数量欄の数字は、個数を表し、0.1、2.5等の数値は、長さ（単位メートル）を表します。

3.数量欄の（ ）は、組部品を構成している子部品であることを意味します。

4.イラストページの-----枠は、組構成であることを意味します。

NUMERICAL INDEX OF PARTS

PART NO	PAGE	REF NO.	PART NO	PAGE	REF NO.	PART NO	PAGE	REF NO.
11185105	26	18	11884004	18	4	11931102	34	14
11185204	26	7	11884004	24	5	11931102	36	8
11185501	26	19	11884004	32	4	11931201	4	20
11566502	12	10	11884004	38	3	11931201	6	22
11566502	14	10	11886801	20	6	11931201	16	24
11831807	16	10	11887304	2	5	11931201	30	23
11831807	18	10	11887304	20	7	11931201	32	11
11845609	4	15	11925203	2	10	11931201	36	19
11845609	6	17	11925203	28	19	11931201	38	11
11845609	8	7	11925203	30	11	11932753	2	6
11845609	10	7	11925203	34	15	11932951	4	17
11845609	16	6	11925203	36	20	11932951	30	20
11845609	18	6	11925203	38	12	11933058	32	8
11845609	20	8	11925302	4	21	11933157	6	19
11845609	22	7	11925302	6	23	11933355	16	21·22
11845609	24	7	11925302	16	25	11934056	28	15
11845609	28	13	11925302	30	24	11934254	34	11
11845609	30	18	11925302	32	12	11934254	36	5
11845609	32	6	11926607	2	12	11934353	36	16
11845609	36	25	11926805	4	23	11934452	38	8
11845609	38	6	11926805	30	26	11935806	28	20
11845807	4	16	11926904	32	14	11937000	2	3
11845807	6	18	11927001	6	25	11937109	4	12
11845807	8	8	11927209	16	27	11937109	6	14
11845807	10	8	11927407	28	21	11937109	16	3·29
11845807	16	7	11927605	34	16	11938008	34	10
11845807	18	7	11927605	36	10	11938008	36	2
11845807	20	9	11927704	36	22	11938107	36	13
11845807	22	8	11927803	38	14	11938107	38	2
11845807	24	8	11929601	2	11	11939907	30	13
11845807	28	14	11929700	30	12	11939956	30	7
11845807	30	19	11929809	4	22	11941457	16	21·22
11845807	32	7	11929809	16	26	11941903	16	3·29
11845807	36	24	11929809	30	25	11966504	26	22
11845807	38	7	11929908	32	13	11969508	26	25
11882305	16	4	11930005	6	24	11969565	26	2
11882305	22	5	11930609	36	21	11969854	26	1
11882602	2	4	11930609	38	13	11987708	4	13
11882701	20	5	11930708	8	22	11987708	30	16
11882909	4	7	11930708	10	22	11987708	36	14
11882909	30	3	11930708	12	26	11991908	8	3
11882909	36	3	11930708	14	26	11991908	10	3
11883006	8	5	11931102	2	9	11999406	16	17
11883006	10	5	11931102	28	18	11999406	18	17
11884004	6	15	11931102	30	10	11999406	20	16

NUMERICAL INDEX OF PARTS

PART NO	PAGE	REF NO.	PART NO	PAGE	REF NO.	PART NO	PAGE	REF NO.
11999406	22	15	12150413	6	13	12180865	10	15
11999406	24	15	12150504	16	2	12180964	16	16
11999802	12	4	12150504	22	2	12180964	18	16
11999802	14	4	12150603	18	2	12180964	20	15
12004909	12	8	12150702	12	2	12180964	22	14
12004909	14	8	12150702	14	2	12180964	24	14
12111902	16	15	12165908	8	20	12181251	12	19
12111902	18	15	12165908	10	20	12181251	14	19
12111902	20	14	12165908	12	24	12275004	24	2
12111902	22	13	12165908	14	24	12303103	6	27
12111902	24	13	12168407	8	21	12303103	8	9
12122800	8	10	12168407	10	21	12303103	10	9
12122800	10	10	12168407	12	25	12303103	20	3
12122800	12	12	12168407	14	25	12303103	22	3
12122800	14	12	12168506	8	19	12303103	24	3
12122800	16	9	12168506	10	19	12303202	12	11
12122800	18	9	12168506	12	23	12303202	14	11
12122800	20	11	12168506	14	23	12304309	8	11
12122800	22	10	12171104	12	6	12304309	10	11
12122800	24	10	12171104	14	6	12304309	12	13
12123154	16	12	12173209	4	8	12304309	14	13
12123154	18	12	12173209	30	4	12304408	8	12
12124806	12	31	12173209	36	4	12304408	10	12
12124806	14	31	12173308	4	14	12304408	12	14
12128401	16	13	12173308	6	16	12304408	14	14
12128401	18	13	12173308	16	5	12304507	8	13
12128401	20	12	12173308	18	5	12304507	10	13
12128401	22	11	12173308	22	6	12304507	12	15
12128401	24	11	12173308	24	6	12304507	14	15
12133500	12	18	12173308	30	17	12304606	8	16
12133500	14	18	12173308	32	5	12304606	10	16
12133682	12	17	12173308	36	15	12304606	12	20
12133682	14	17	12173308	38	4	12304606	14	20
12146403	16	14	12173506	8	6	12304804	8	14
12146403	18	14	12173506	10	6	12304804	10	14
12146403	20	13	12174207	12	7	12304804	12	16
12146403	22	12	12174207	14	7	12304804	14	16
12146403	24	12	12176004	16	8	12304903	20	2
12147906	6	26	12176004	18	8	12320305	18	23
12150009	2	2	12176103	20	10	12320503	6	11
12150306	6	2	12176103	22	9	12320552	6	8
12150306	8	2	12176103	24	9	12320602	6	10
12150306	10	2	12176202	12	3	12320602	18	25
12150306	32	2	12176202	14	3	12320602	24	22
12150306	38	5	12180865	8	15	12320701	6	9

NUMERICAL INDEX OF PARTS

PART NO	PAGE	REF NO.	PART NO	PAGE	REF NO.	PART NO	PAGE	REF NO.
12320701	18	24	B3304704000A	26	15	R4608J0DD00	4	1
12320701	20	21	B3305704000A	26	8	R4608J0DE01	16	1
12320701	22	20	B3309704000	26	14	R4608J0DE01	22	1
12320701	24	20	B33098430A0	26	11	R4608J0ED00	4	6
12320800	8	18	B3311012000	26	21	R4608J0ED00	30	1
12320800	10	18	B3311704000	26	6	R4608J0ED00	36	1
12320800	12	22	B3311843000	26	12	R4608J0FD00	4	11
12320800	14	22	B3317704000	26	23	R4608J0FD00	30	14
12320909	8	23	B3318704L00A	26	4	R4608J0FD00	36	12
12320909	10	23	B3319704L00	26	3	R4612J0DE01	18	1
12320909	12	27	B3320704L00A	26	20	R4612J0DE01	24	1
12320909	14	27	B3321704L00	26	31	R4612J0FD00	6	1
12320958	8	17	B3321704L0B	26	26	R4612J0FD00	32	1
12320958	10	17	B411180400E	12	9	R4612J0FD00	38	1
12320958	12	21	B411180400E	14	9	R4612J0FF00	8	1
12320958	14	21	MAM0750J0A0	34	17	R4612J0FK00	12	1
12321006	20	22	MAM0750J0A0	36	23	R4612J0HG00	10	1
12321055	20	20	MAM0750J0A0	38	15	R4612J0HK00	14	1
12321105	20	23	MAO11532000	26	32	R4617J0HD00	6	12
12321204	22	21	MC033600750	16	19·20	SK3382001SE	26	29
12321253	22	19	MC033600750	18	19·20	SM4051405SE	26	9
12321303	22	22	MC033600750	20	18·19	SM4061201SE	26	27
12321402	18	26	MC033600750	22	17·18	SM6053000SE	26	16
12321402	24	21	MC033600750	24	17·18	SM6061610SC	26	5
12321451	18	21	MC033601000	8	26	SS4080415SP	18	22
12321451	24	19	MC033601000	10	26	SS7080520SP	2	7
12330114	6	3	MC033601300	12	30	SS7080520SP	4	18
12330114	18	3	MC033601300	14	30	SS7080520SP	6	20
12330114	22	4	MDC270B1100	16	19·20	SS7080520SP	16	28
12330114	24	4	MDC270B1100	18	19·20	SS7080520SP	28	16
12330205	8	4	MDC270B1100	20	18·19	SS7080520SP	30	21
12330205	10	4	MDC270B1100	22	17·18	SS7080520SP	32	9
12330205	12	5	MDC270B1100	24	17·18	SS7080520SP	34	12
12330205	14	5	MDC270B1600	8	25	SS7080520SP	36	17
12330403	28	12	MDC270B1600	10	25	SS7080520SP	38	9
12330502	30	2	MDC270B2100	12	29	SS7110540SP	26	13
12330601	30	15	MDC270B2100	14	29	SS8080310TP	16	18
12330601	32	3	NM6050001SE	26	24	SS8080310TP	18	18
12330700	20	4	NM6060001SE	26	28	SS8080310TP	20	17
B1514816000	8	24	R4505J0ED00	2	1	SS8080310TP	22	16
B1514816000	10	24	R4508J0DD00	2	13	SS8080310TP	24	16
B1514816000	12	28	R4508J0DD00	28	1	WP0371026SD	2	8
B1514816000	14	28	R4508J0DD00	34	1	WP0371026SD	4	19
B251570400B	16	11	R4508J0FD00	2	14	WP0371026SD	6	21
B251570400B	18	11	R4605J0DE01	20	1	WP0371026SD	16	23

NUMERICAL INDEX OF PARTS

PART NO	PAGE	REF NO.
WP0371026SD	28	17
WP0371026SD	30	22
WP0371026SD	32	10
WP0371026SD	34	13
WP0371026SD	36	18
WP0371026SD	38	10
WP1612616SE	26	30