

MODEL : MOJ-3900 SUBCLASSES

List No : 1155-02

PARTS LIST

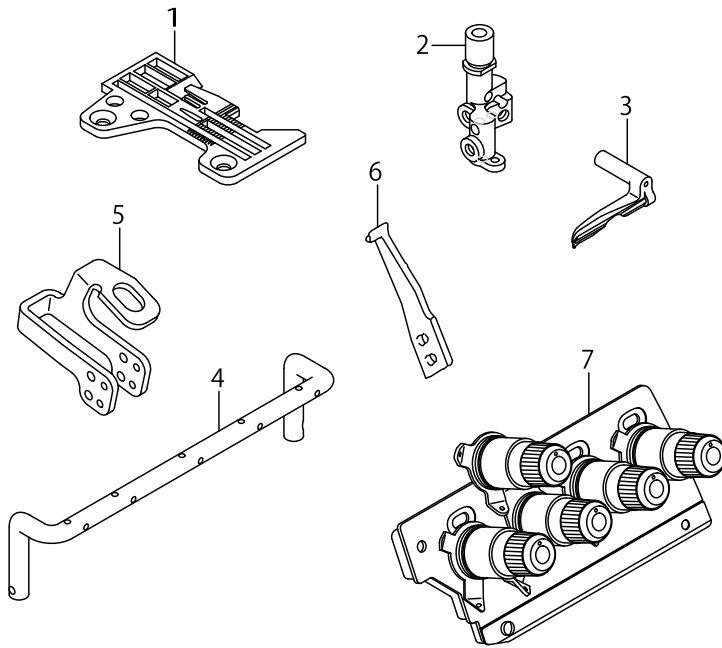
Published:05/12/2017

CONTENTS

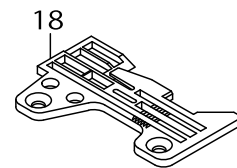
| | |
|--|---|
| MOJ-3900 SUBCLASSES | 1 |
| HOW TO MAKE USE OF THIS PARTS LIST | 3 |

MOJ-3900 SUBCLASSES

MOJ-3943-FDE6-600
MOJ-3943E-FDE6-600



MOG-3916-FF6-700
MOG-3916E-FF6-700



MOJ-3900 SUBCLASSES

| No. | Supply Code | Parts No. | Replacement | Parts name | Remarks | Choice | Step | Level | Cons | Qty | Rep. QTY |
|-----|-------------|-------------|-------------|--------------------------|---------|--------|------|-------|------|-----|----------|
| 1 | | R4612J0EL02 | | THROAT PLATE | | | | | | 1 | |
| 2 | D | 12379111 | | DOUBLE-RING NEEDLE CLAMP | | | | | | 1 | |
| 3 | | 12383907 | | UPPER ROOPER | | | | | | 1 | |
| 4 | | 12128401 | | THREAD GUIDE | | | | | | 1 | |
| 5 | | 12111308 | | THREAD GUIDE, 2-NEEDLE | | | | | | 1 | |
| 6 | | 12021200 | | NEEDLE HOLDER (D) | | | | | | 1 | |
| 7 | | 12388351 | | THREAD GUIDE PLATE | | | | | | 1 | |
| 8 | | 12389359 | | PRESSER FOOT ASM. | | | | | | 1 | |
| 9 | | WP0371026SD | | WASHER 3.7X7X1 | | | | * | | 1 | |
| 10 | R | 12389300 | 12389359 | FRONT PRESSER | | | | * | | 1 | 1.00 |
| 11 | R | 12023305 | 12023255 | REARPRESSERFOOT | | | | * | | 1 | 1.00 |
| 12 | | 12024303 | | HINGE ARM | | | | * | | 1 | |
| 13 | R | 12024402 | 12023255 | PRESSER FOOT HINGE | | | | * | | 1 | 1.00 |
| 14 | | 11929403 | | PRESSER FOOT SPRING | | | | * | | 1 | |
| 15 | | 12024501 | | HINGE PIN | | | | * | | 3 | |
| 16 | R | SS6090650SP | SS6090670TP | SCREW 9/64-40 L=6 | | | | * | | 1 | 1.00 |
| 17 | | SS7080520SP | | SCREW 1/8-44 L=4.9 | | | | * | | 1 | |
| 18 | R | R4612J0FL00 | R4612J6FL00 | THROAT PLATE | | | | | | 1 | 1.00 |

HOW TO MAKE USE OF THIS PARTS LIST

1.As to "#01" and "#02" refer to the "Note" given at the bottom of the respective pages.

2.Codes on the "Qty" column

- Each numeral indicates the number of parts required.
- "0.1" and "2.5" indicate the length (in meters) of the respective parts.

3.Parentheses mean that the corresponding part is a subpart that constructs an assembly part.

4.Dotted lines on the Figures indicate assembly parts.

1. リストページの# 0 1、# 0 2の印は、ページ下の"注記"の説明を参照下さい。
2. 数量欄の数字は、個数を表し、0. 1、2. 5等の数値は、長さ（単位メートル）を表します。
3. 数量欄の（ ）は、組部品を構成している子部品であることを意味します。
4. イラストページの-----枠は、組構成であることを意味します。

NUMERICAL INDEX OF PARTS

| PART NO | PAGE | REF NO. |
|-------------|------|---------|
| 11929403 | 2 | 14 |
| 12021200 | 2 | 6 |
| 12023305 | 2 | 11 |
| 12024303 | 2 | 12 |
| 12024402 | 2 | 13 |
| 12024501 | 2 | 15 |
| 12111308 | 2 | 5 |
| 12128401 | 2 | 4 |
| 12379111 | 2 | 2 |
| 12383907 | 2 | 3 |
| 12388351 | 2 | 7 |
| 12389300 | 2 | 10 |
| 12389359 | 2 | 8 |
| R4612J0EL02 | 2 | 1 |
| R4612J0FL00 | 2 | 18 |
| SS6090650SP | 2 | 16 |
| SS7080520SP | 2 | 17 |
| WP0371026SD | 2 | 9 |