

MODEL : AMB-188N

List No : 1219-00

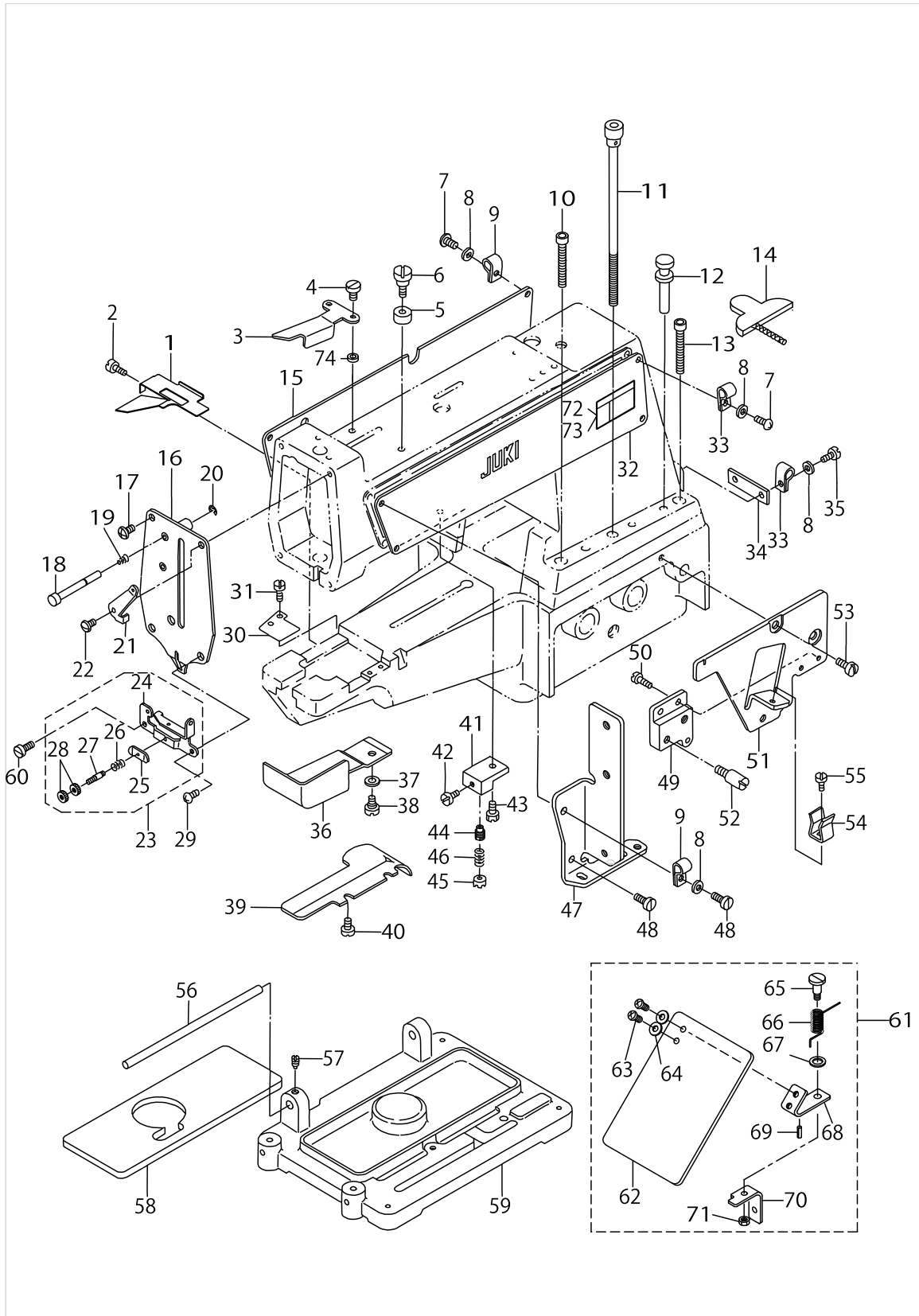
PARTS LIST

Published:05/12/2017

CONTENTS

ARM BED COMPONENTS	1
LOOPER SHAFT MECHANISM COMPONENTS	5
NIPPER & THREAD TENSION PARTS COMPONENTS	9
NEEDLE DRIVING PULLEY SHAFT COMPONENTS	13
NEEDLE BAR DRIVING MECHANISM COMPONENTS	15
X-Y STEPPING MOTOR COMPONENTS (X SHAFT)	17
X-Y STEPPING MOTOR COMPONENTS (Y SHAFT)	21
X-Y FRAME COMPONENTS	25
CHUCK COMPONENTS.....	29
CHUCK TURN OVER COMPONENTS	33
TANG COMPONENTS.....	37
WIPER & PRESSER COMPONENTS	41
STAND & TABLE COMPONENTS.....	43
2-JOINT PEDAL COMPONENTS.....	49
MISCELLANEOUS COVER & CORD COMPONENTS.....	51
PNEUMATIC COMPONENTS	55
THREAD STAND COMPONENTS.....	59
MOTOR PULLEY COMPONENTS	61
CONTROL BOX COMPONENTS	63
OPTION COMPONENTS	69
BUTTON LODER COMPONENTS (1).....	71
BUTTON LODER COMPONENTS (2).....	75
HOW TO MAKE USE OF THIS PARTS LIST	77

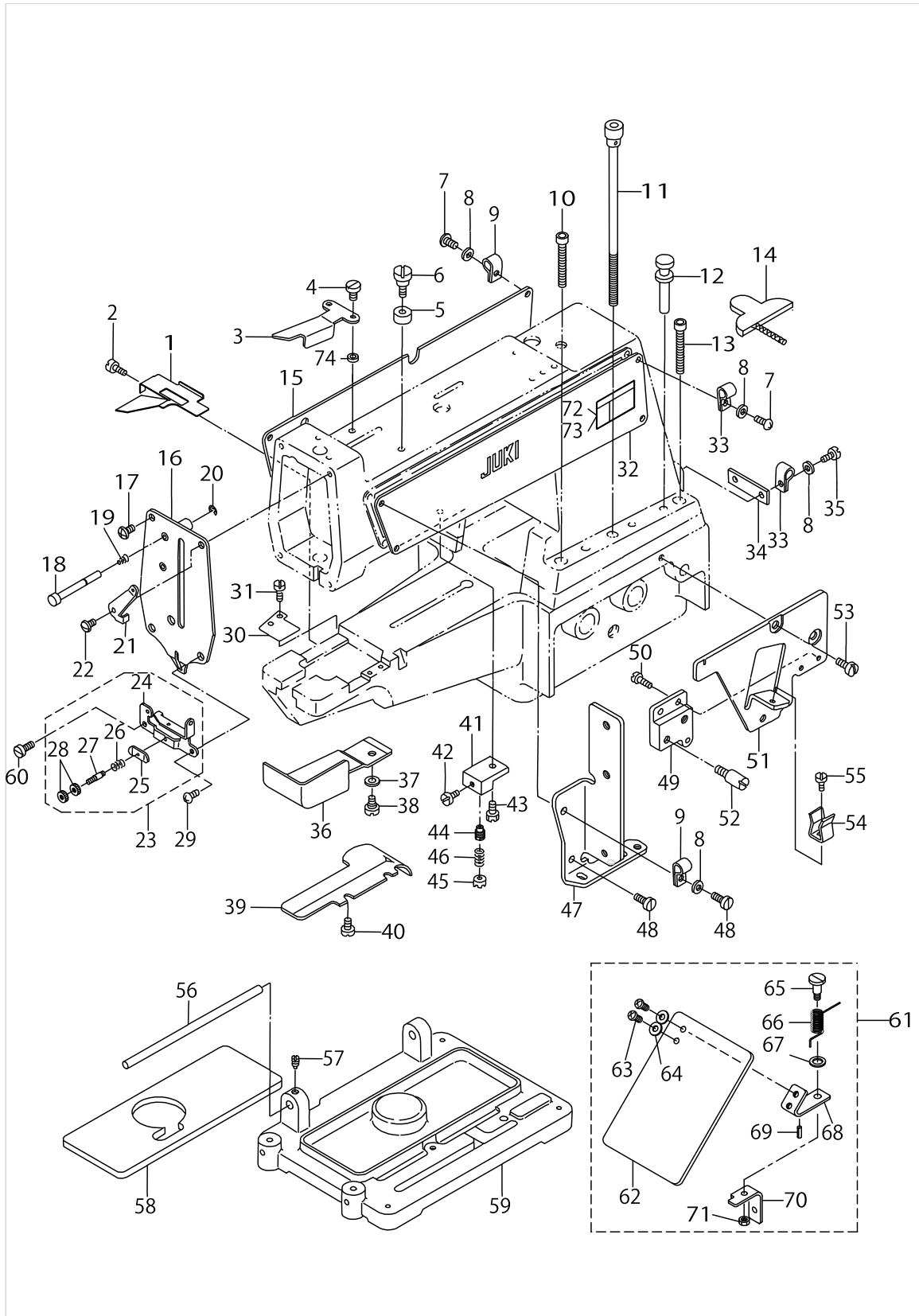
ARM BED COMPONENTS



ARM BED COMPONENTS

No.	Supply Code	Parts No.	Replacement	Parts name	Remarks	Choice	Step	Level	Cons	Qty	Rep. QTY
1		25003500		BUTTON COVER						1	
2		SS6110480SP		SCREW 11/64-40 L=4.3						1	
3	D	17801309		COVER A						1	
4	R	SS6090620SP	SS6090620TP	SCREW 9/64-40 L=6						2	1.00
5	D	17801804		STOPPER						1	
6		SD0791271SP		HINGE SCREW D= 7.94 H=12.7						1	
7		SS4120915SP		SCREW 3/16-28 L=9						6	
8		WP0531000SC		WASHER 5.3X10X1						5	
9		HX00150000D		CABLE CLIP						2	
10		SM6086002TP		SCREW						2	
11		25000456		SET SCREW ASM.						1	
12		25000308		GUID PIN						2	
13		SM6085002TP		SCREW						2	
14	D	17803057		OILDRIPFELT,SMALL						1	
15		17811068		SIDE COVER (LEFT) ASM.						1	
16		17962358		FACE PLATE ASM.						1	
17		SS4120915SP		SCREW 3/16-28 L=9						1	
18	R	B3127372000	26032003	NIPPER RELEASING STUD						1	1.00
19	R	B3149123A00	26021600	TENSION SPRING						1	1.00
20		RE0320000K0		E-RING 3.2						1	
21	D	17802307		THREAD GUIDE						1	
22		SS5120810SP		SCREW						1	
23	D	25002957		THREAD TENSION NO.3 ASM.						1	
24	D	17802216		TENSION ADJUSTING BASE NO.3				*		1	
25		B1131521000		THREAD PRESSER PLATE				*		1	
26		B1136850000		TENSION SPRING B				*		1	
27		25002809		THREAD TENSION STUD				*		1	
28		25002908		THREAD TENSION NUT				*		2	
29		SS6111210SP		SCREW11/64-40L=12						1	
30	D	17962408		RECEIVING PLATE						1	
31		SS6090610SP		SCREW9/64-40L=5.5						2	
32		17810912		SIDE COVER, RIGHT						1	
33		HX00150000F		CABLE CLIP						3	
34	D	17801408		COVER B						1	
35		SS6120940SP		SCREW 3/16-28 L=9						2	
36		17961905		LOOPER COVER						1	
37		WS0650389KP		SPRING WASHER 6.5X14.0X17						1	
38		SD0600271SP		HINGE SCREW D= 6 H= 2.7						1	
39	R	B1119373000	26010603	BED OIL SHIELD						1	1.00
40		SS7110840SP		SCREW 11/64-40 L=7.8						2	
41		17812207		SLIDER TRAY						1	
42		SS6110670TP		SCREW 11/64-40 L=6.5						1	
43		SS9161610SP		SCREW 1/4-24 L=16						1	
44	D	25003203		SLIDER RECEIVER						1	
45		B2574220000		SLIDER						1	
46		B2576220000		SLIDER SPRING						1	

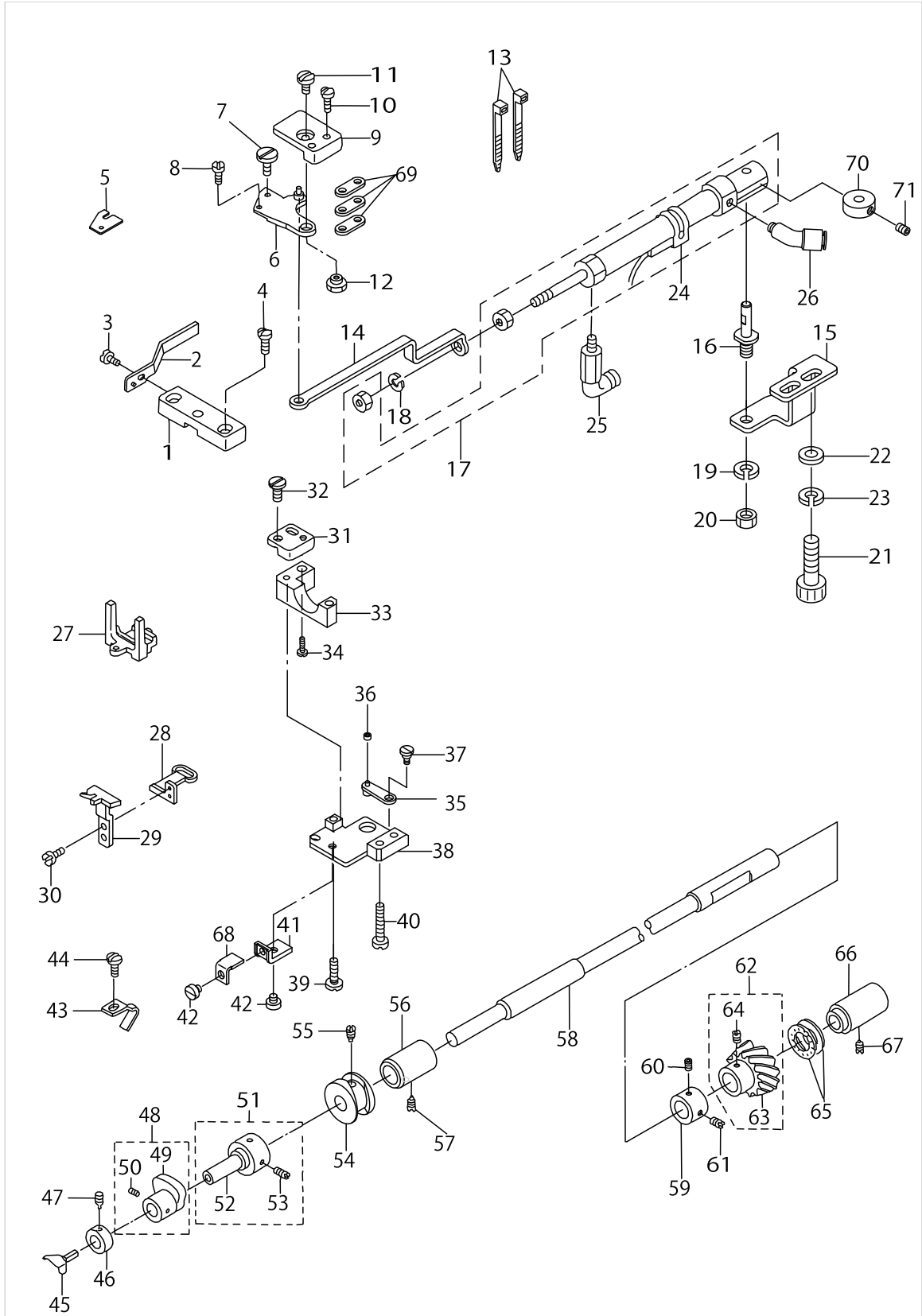
ARM BED COMPONENTS



ARM BED COMPONENTS

No.	Supply Code	Parts No.	Replacement	Parts name	Remarks	Choice	Step	Level	Cons	Qty	Rep. QTY
47		17966714		MERKER INSTALLING PLATE						1	
48		SS6121210SP		SCREW 3/16-28 L=12						2	
49		17962200		COVER INSTALLING PLATE, B						1	
50		SS6090520SP		SCREW 9/64-40 L=5.0						2	
51		17962101		COVER INSTALLING PLATE, A						1	
52	D	B1120372000		SCREW STUD						1	
53		SS7151340TP		SCREW 15/64-28 L=12.5						2	
54	D	B1111372000		SIDE COVER SPRING						1	
55		SS6090520SP		SCREW 9/64-40 L=5.0						1	
56	R	B1110372000	26011304	SIDE COVER HINGE SHAFT						1	1.00
57	R	SS8151150SP	SS8151150TP	SCREW 15/64-28 L=10.5						1	1.00
58		B1104372A00		OILDRIPFELT(A)5MM						1	
59	D	17812405		BED INSTALLING BASE						1	
60		SS6121210SP		SCREW 3/16-28 L=12						1	
61	D	25003757		SAFETY PLATE ASM.						1	
62		17811803		SAFETY PLATE				*		1	
63		SS4110715SP		SCREW 11/64-40 L=7				*		2	
64		WP0450801SD		WASHER 4.5X10X0.8				*		2	
65		SD0601021SP		HINGE SCREW D=6 H=10.2				*		1	
66		13943204		SAFETY PLATE RETURN SPRING				*		1	
67		WP0740516SP		WASHER 7.4X11.8X0.5				*		1	
68	D	17811902		INSTALLING PLATE				*		1	
69		PS0200062KH		SPRING PIN 2X6				*		1	
70	R	B3115372000	26037101	SAFETY PLATE INSTALLING BASE				*		1	1.00
71		NS6110310SP		NUT 11/64-40				*		1	
72		CM300200101		SAFETY LABEL, 1(SMALL).	FOR DOME- STIC USE					1	
73		CM3002001A1		SAFETY LABEL,,3 (SMALL).	FOR EXPORT					1	
74		17802505		COLLAR A						1	

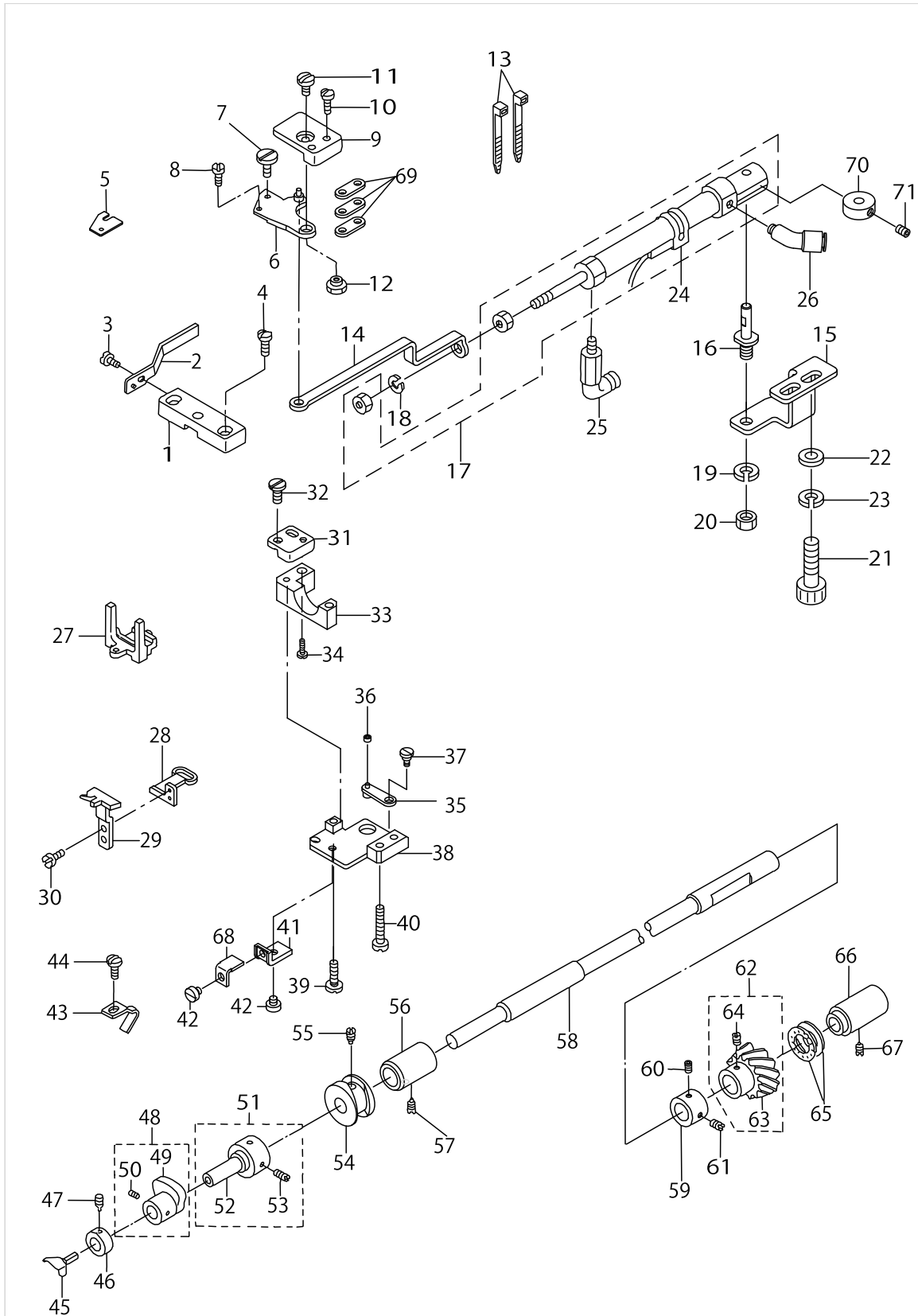
LOOPER SHAFT MECHANISM COMPONENTS



LOOPER SHAFT MECHANISM COMPONENTS

No.	Supply Code	Parts No.	Replacement	Parts name	Remarks	Choice	Step	Level	Cons	Qty	Rep. QTY
1	R	25003609	25003658	THROAT PLATE						1	1.00
2		17961400		KNIFE COVER						1	
3		SS6090540SP		SCREW9/64-40L=5.0						1	
4	R	SS7111410SP	SS7111410TP	SCREW11/64-40L=14						2	1.00
5		17962507		MOVING KNIFE						1	
6		25003062		MOVING KNIFE HOLDER PLATE ASM.						1	
7	R	SS7080310TP	SS7080310SP	SCREW 1/8-44 L=3.2						1	1.00
8		SS6050180SL		SCREW 5/64-64 L=1.2						1	
9	D	17962903		MOVING KNIFE INSTALLING PLATE						1	
10		SS7111810TP		SCREW11/64-40L=18						2	
11		SS7110830SP		SCREW 11/64-40 L= 7.5						1	
12	D	17962804		NUT						1	
13		EA9500B0200		CABLE BAND 150						2	
14	D	17963018		THREAD CUTTER CONNECTING PLATE						1	
15	D	17807900		CYLINDER INSTALLING PLATE B						1	
16		17805607		CYLINDER SHAFT						1	
17		PA1504001A0		CYLINDER						1	
18		WS0510002KN		SPRING WASHER						1	
19		WS0610002KN		SPRING WASHER 6.1X12.2X1.5						1	
20		NM6060001SC		NUT M6						1	
21		SM6061602TN		SCREW M6 L=16						2	
22		WP0641600SC		WASHEW6.4X12.5X1.6						2	
23		WS0610002KN		SPRING WASHER 6.1X12.2X1.5						2	
24		PX500043000		BAND						1	
25		PJ304040507		LONG ELBOW UNION						1	
26		PJ309040501		ELBOW UNION						1	
27	D	25001108		YORK SLIDE SUPPORT						1	
28	D	25001009		INSTALLING PLATE						1	
29		25000704		YORK SLIDE						1	
30		SS6090670TP		SCREW 9/64-40 L=6						2	
31		25000605		SUPPORT BASE PLATE						1	
32		SS4110910TP		SCREW 11/64-40 L=9						2	
33	D	25000902		SUPPORT BASE						1	
34	R	SS7111810SP	SS7111810TP	SCREW11/64-40L=18						1	1.00
35	R	25001355	26006353	FRONT-AND-REAR ASM.						1	1.00
36	R	B1232372000	26003905	LOOP POSITIONING FINGER LEVER						1	1.00
37		SD0640241SP		HINGE SCREW D= 6.35 H= 2.4						1	
38		25000803		RECIVING PLATE						1	
39		SS7111410TP		SCREW11/64-40L=14						1	
40		SS7112420SP		SCREW11/64-40L=24						1	
41		25002502		YORK SLIDE GUIDE A						1	
42		SS6110480SP		SCREW 11/64-40 L=4.3						2	
43	D	17961202		THROAT GUIDE						1	
44		SS7110840SP		SCREW 11/64-40 L=7.8						1	
45		B1239372000		LOOPER						1	

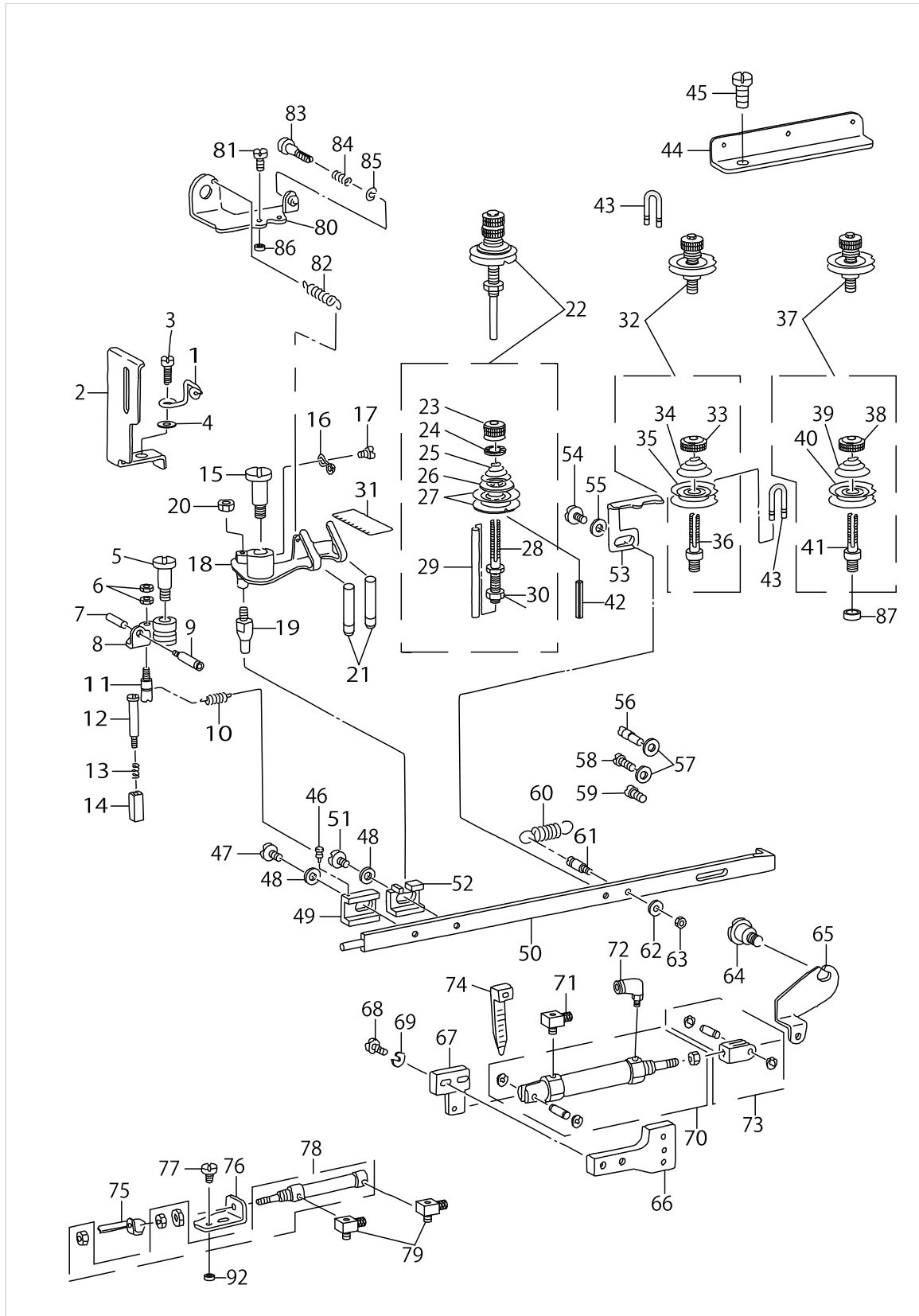
LOOPER SHAFT MECHANISM COMPONENTS



LOOPER SHAFT MECHANISM COMPONENTS

No.	Supply Code	Parts No.	Replacement	Parts name	Remarks	Choice	Step	Level	Cons	Qty	Rep. QTY
46		CS0790741TH		THRUST COLLAR						1	
47	D	17804006		SCREW						1	
48	D	17805359		CAM ASM.						1	
49		17805300		CAM				*		1	
50		SS8110410TP		SCREW 11/64-40 L= 3.5				*		2	
51		17804253		LOOPER SHAFT ASM.						1	
52		17804204		LOOPER SHAFT				*		1	
53		SS8150410TP		SCREW 15/64-28 L= 4.0				*		2	
54	D	25001405		YORK SLIDE CAM						1	
55		SS8110410TP		SCREW 11/64-40 L= 3.5						1	
56	D	B1227372000A		LOOPER SHAFT BUSHING, FRONT						1	
57	R	SS8151150SP	SS8151150TP	SCREW 15/64-28 L=10.5						1	1.00
58	D	17803909		LOOPER SHAFT						1	
59		CS1111019SH		THRUST COLLAR D=11.11 W=10						1	
60		SS8660512TP		SCREW 1/4-40 L=5						1	
61		SS8660330SP		SCREW 1/4-40 L= 3.0						1	
62		B12243720A0		LOOPER SHAFT DR- IVEN GEAR ASM.						1	
63		B1224372000		LOOPER SHAFT DRIVEN GEAR (B)				*		1	
64		SS8660612TP		SCREW 1/4-40 L=6				*		2	
65		B1215372A00		THRUST BALL BEARING						1	
66	R	B1222372000	26013102	LOOPER SHAFT BUSHING, REAR						1	1.00
67	R	SS8151150SP	SS8151150TP	SCREW 15/64-28 L=10.5						1	1.00
68		25002601		YORK SLIDE GUIDE B						1	
69	D	25003104		MOVING KNIFE SPACER						3	
70		16658700		COLLAR B						1	
71		SM8040602TP		SCREW M4X0.7 L=6						1	

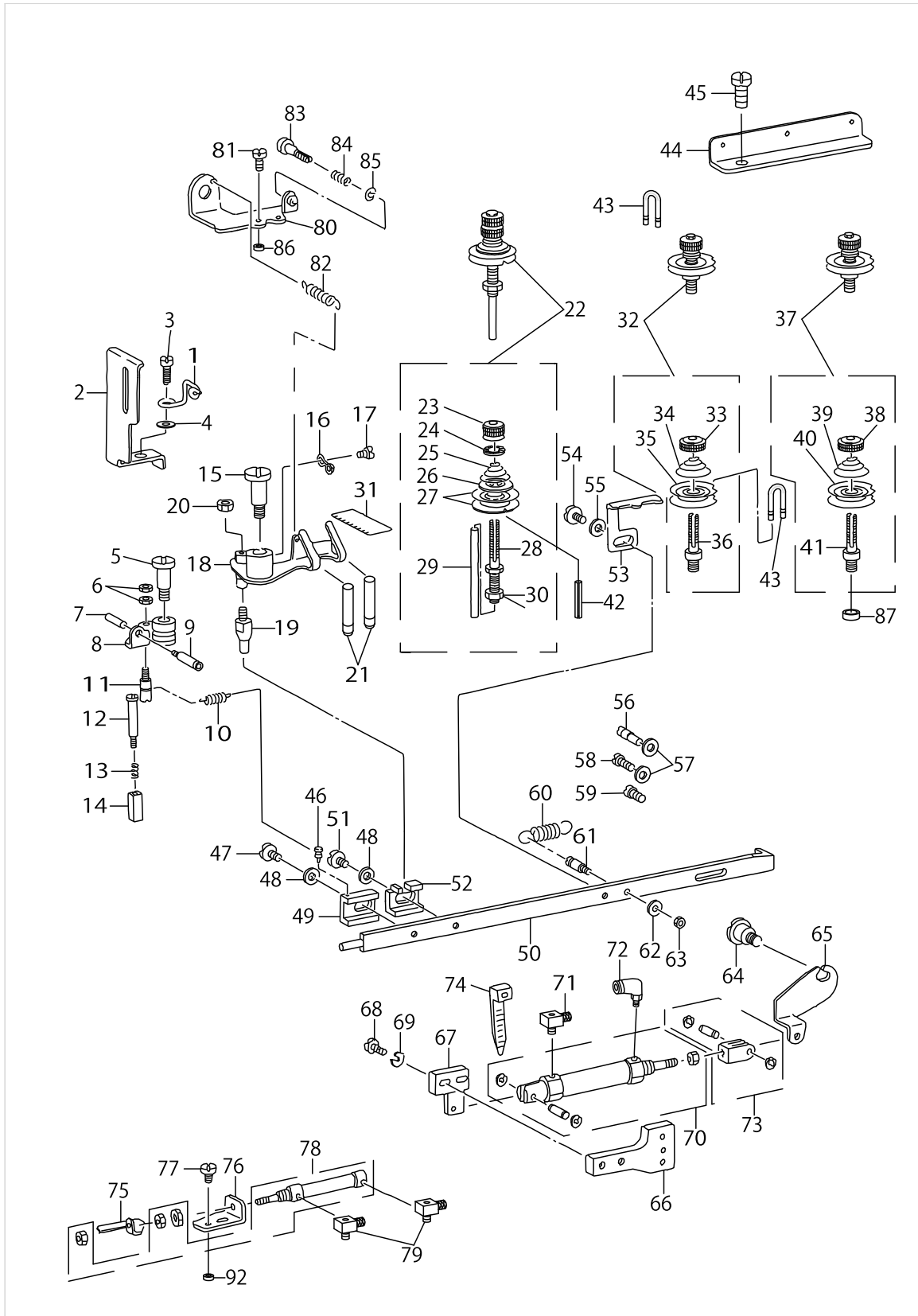
NIPPER & THREAD TENSION PARTS COMPONENTS



NIPPER & THREAD TENSION PARTS COMPONENTS

No.	Supply Code	Parts No.	Replacement	Parts name	Remarks	Choice	Step	Level	Cons	Qty	Rep. QTY
1		B2038372000		THREAD GUIDE NO. 2						1	
2		B1421372000		NEEDLE BAR GUARD						1	
3		SS7151210SP		SCREW15/64-28L=12						1	
4		WP0621016SD		WASHER 6.2X13X1						1	
5		SD0791271SP		HINGE SCREW D= 7.94 H=12.7						1	
6		NS6080210SP		NUT 1/8-44						2	
7	R	B2035372000	26020602	NUT						1	1.00
8	R	B20313720A0	26000950	THREADNIPPERASM.						1	1.00
9	R	B2034372000	26020503	THREAD RELEASING SCREW STUD						1	1.00
10	R	B2037372000	26020800	NIPPER BAR BLOCK SPRING						1	1.00
11	R	B2036372000	26020701	NIPPER BAR BLOCK SPRING SCREW						1	1.00
12		SD0402001TP		SCREW D=4 H=20						1	
13	R	B2029372000	26020404	NIPPER BLOCK SPRING						1	1.00
14	R	B2028372000	26020305	NIPPER BLOCK						1	1.00
15		SD0791501SP		HINGE SCREW D= 7.94 H=15.0						1	
16	R	B2040373000	26021501	THREAD GUIDE						1	1.00
17		SS7090510SP		SCREW9/64-40L=4.6						1	
18		17808452		THREAD TENSION LEVER						1	
19		B2026372000		THREAD ADJUSTING LEVER PIN						1	
20		NS6660430SP		NUT 1/4-40						1	
21	R	B2024372000A	26020206	THREAD GUIDE PIN						2	1.00
22		B20193720AA		TESION POST ASM., NO.2						1	
23	R	B3125012000	22928808	THREAD TENSION NUT				*		1	1.00
24		B3120125000		ROTATING STOPPER				*		1	
25		B2021372000		THREAD TENSION SPRING NO.2				*		1	
26		B3132012000		TENSION DISC HOLDER				*		1	
27		B2016372000		TENSION DISC				*		2	
28		B2019372000		TENSION POST NO.2				*		1	
29		B2020372000		TENSION RELEASE PIN				*		1	
30		NS6160520SP		NUT 1/4-24				*		1	
31	D	17800707		SEAL						1	
32	R	B20153720A0	26005157	THREAD TENSION ASM. (NO.1)						1	1.00
33		B2314019000		TENSION POST NUT				*		1	
34		B2017372000		TENSION SPRING NO.1				*		1	
35		B2016372000		TENSION DISC				*		2	
36	D	B2015372000		THREAD TENSION STAFF NO. 1				*		1	
37	D	17810052		POST PIN NO.1 ASM.						1	
38		B2314019000		TENSION POST NUT				*		1	
39		D3129555D00		THREAD TENSION SPRING				*		1	
40		B2016372000		TENSION DISC				*		2	
41	D	B2015372000		THREAD TENSION STAFF NO. 1				*		1	
42		PS0300162KH		SPRING PIN 3X16						1	
43	R	B2014372000A	26019505	THREAD GUIDE						2	1.00
44		17961707		THREAD GUIDE NO.1						1	
45		SS7151210SP		SCREW15/64-28L=12						1	
46	R	B2012372000	26019406	NIPPER BAR BLOCK SPRING PIN						1	1.00

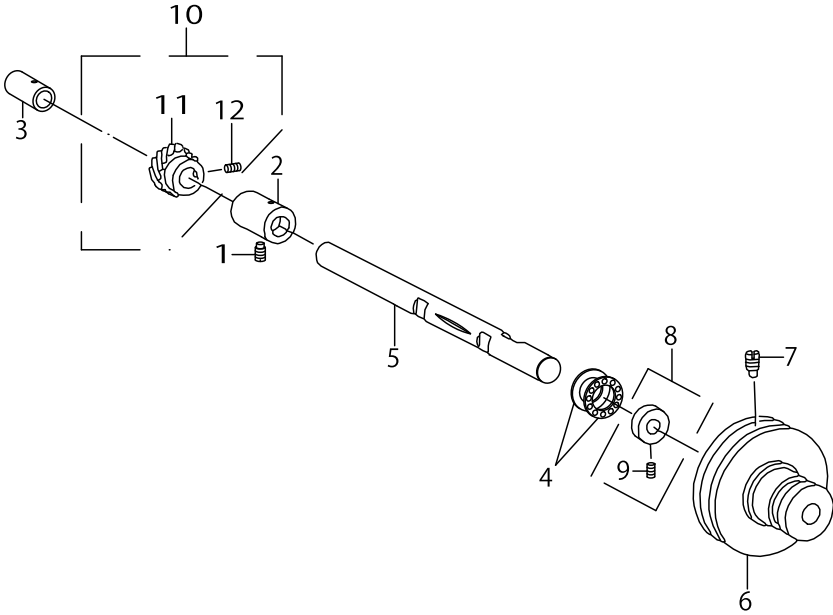
NIPPER & THREAD TENSION PARTS COMPONENTS



NIPPER & THREAD TENSION PARTS COMPONENTS

No.	Supply Code	Parts No.	Replacement	Parts name	Remarks	Choice	Step	Level	Cons	Qty	Rep. QTY
47		SS6120930TP		SCREW 3/16-28 L=9						1	
48		WP0501016SD		WASHER 5X10.5X1						2	
49	R	B2011372000	26019307	NIPPER BAR BLOCK						1	1.00
50	R	B2004372000	26001909	NIPPER BAR						1	1.00
51		SS6120930TP		SCREW 3/16-28 L=9						1	
52	D	17809203		NIPPER BAR BLOCK REAR						1	
53		17808106		RELEASE PLATE						1	
54		SS6120930TP		SCREW 3/16-28 L=9						1	
55		WP0501016SD		WASHER 5X10.5X1						1	
56		B2006372000		ADJUSTING SCREW						1	
57		WP0480856SP		WASHER 4.8X8.4X0.8						2	
58		SS6121610TP		SCREW 3/16-28 L=15.5						1	
59		SS6121050SP		SCREW 3/16-28 L=9.5						1	
60		B2008372000		THREAD TENSION SPRING						1	
61		B2007372000		NIPPER BAR SPRING SCREW						1	
62		WP0371016SD		WASHER 3.7X8X1						1	
63		NS6080340SP		NUT 1/8-44						1	
64	R	SD0790802SP	SD0790802TP	HINGE SCREW D= 7.94 H= 8.0						1	1.00
65		17808056		THREAD TENSION PLATE ASM.						1	
66	D	17808205		TENSION GUIDE BASE A						1	
67		17808304		TENSION GUIDE BASE B						1	
68		SS7111410TP		SCREW 11/64-40L=14						2	
69		WS0451040KP		SPRING WASHER 4.5X8.5X1						2	
70		PA1501009A0		CYLINDER						1	
71		PJ042050002		ELBOW						1	
72		PJ304040504		ELBOW UNION						1	
73		PX500020000		KNUCKLE JOINT						1	
74		EA9500B0100		CABLE BAND						1	
75		17807702		PLATE						1	
76		17807801		CYLINDER INSTALLING PLATE A						1	
77		SS6120940SP		SCREW 3/16-28 L=9						2	
78		PA1003012A0		CYLINDER						1	
79		PJ042050002		ELBOW						2	
80		17808551		THREAD ADJUSTING BASE ASM.						1	
81		SS6120940SP		SCREW 3/16-28 L=9						2	
82		17808908		SPRING						1	
83	D	17809005		KNOB						1	
84	D	17809104		SPRING						1	
85		B3120125000		ROTATING STOPPER						1	
86		17802505		COLLAR A						4	
87		17802604		COLLAR B						1	

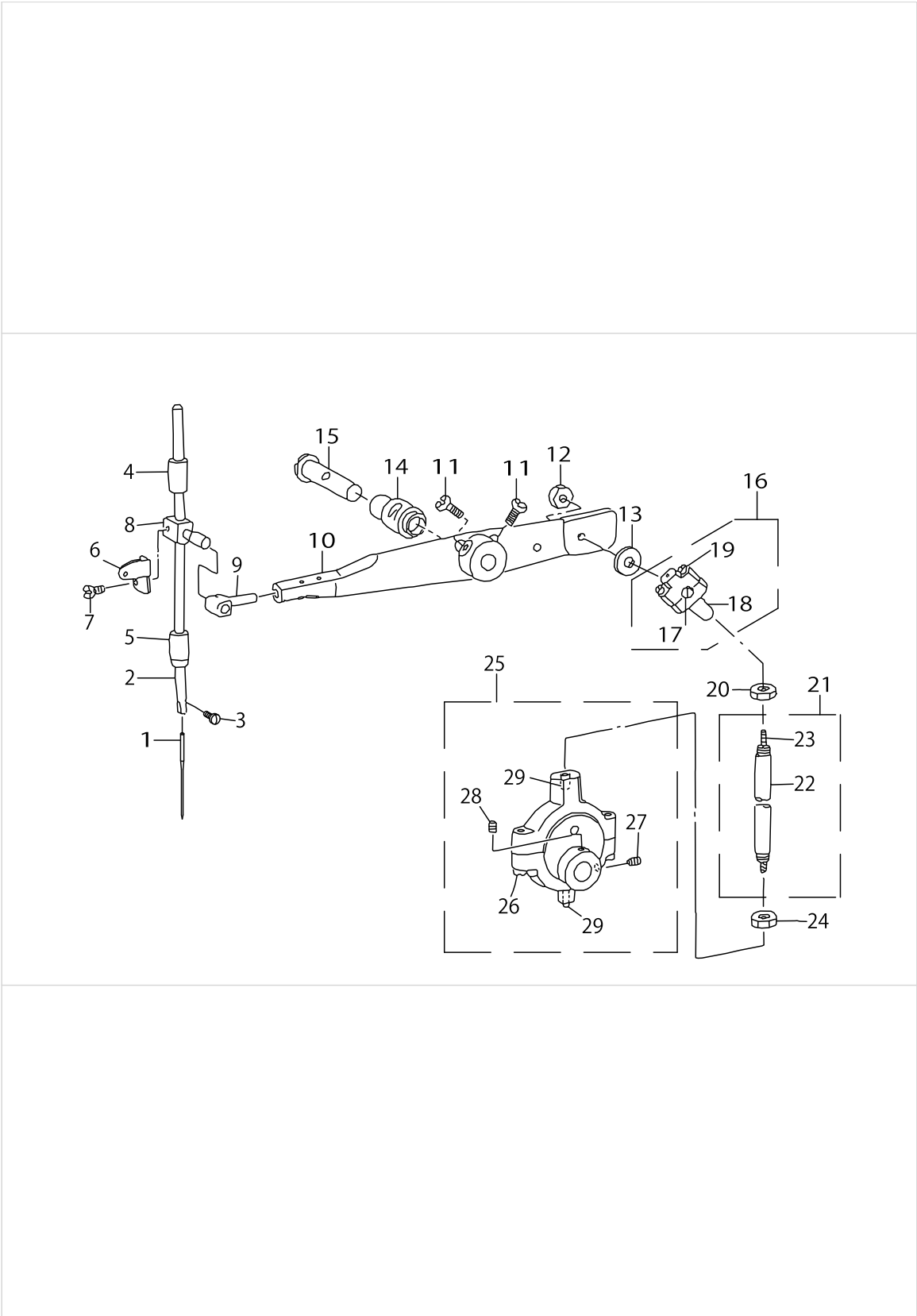
NEEDLE DRIVING PULLEY SHAFT COMPONENTS



NEEDLE DRIVING PULLEY SHAFT COMPONENTS

No.	Supply Code	Parts No.	Replacement	Parts name	Remarks	Choice	Step	Level	Cons	Qty	Rep. QTY
1	R	SS8151150SP	SS8151150TP	SCREW 15/64-28 L=10.5						1	1.00
2		B1216372000		PULLEY SHAFT BUSHING, RIGHT						1	
3	R	B1223372000	26013201	PULLEY SHAFT BUSING, LEFT						1	1.00
4		B1215372B00		THRUST BALL BEARING						1	
5	D	17804303		DRIVE SHAFT						1	
6	D	17804402		HAND WHEEL						1	
7		SS8151550SP		SCREW15/64-28L=15						2	
8		CS127101ASH		THRUST COLLAR A- SM. D=12.7 W=10						1	
9		SS8660610TP		SCREW 1/4-40 L=6				*		2	
10	R	B12173720A0	B12173720BA	DRIVING GEAR ASM.						1	1.00
11	D	B1217372000		DRIVING GEAR (A)				*		1	
12		SS8660612TP		SCREW 1/4-40 L=6				*		2	

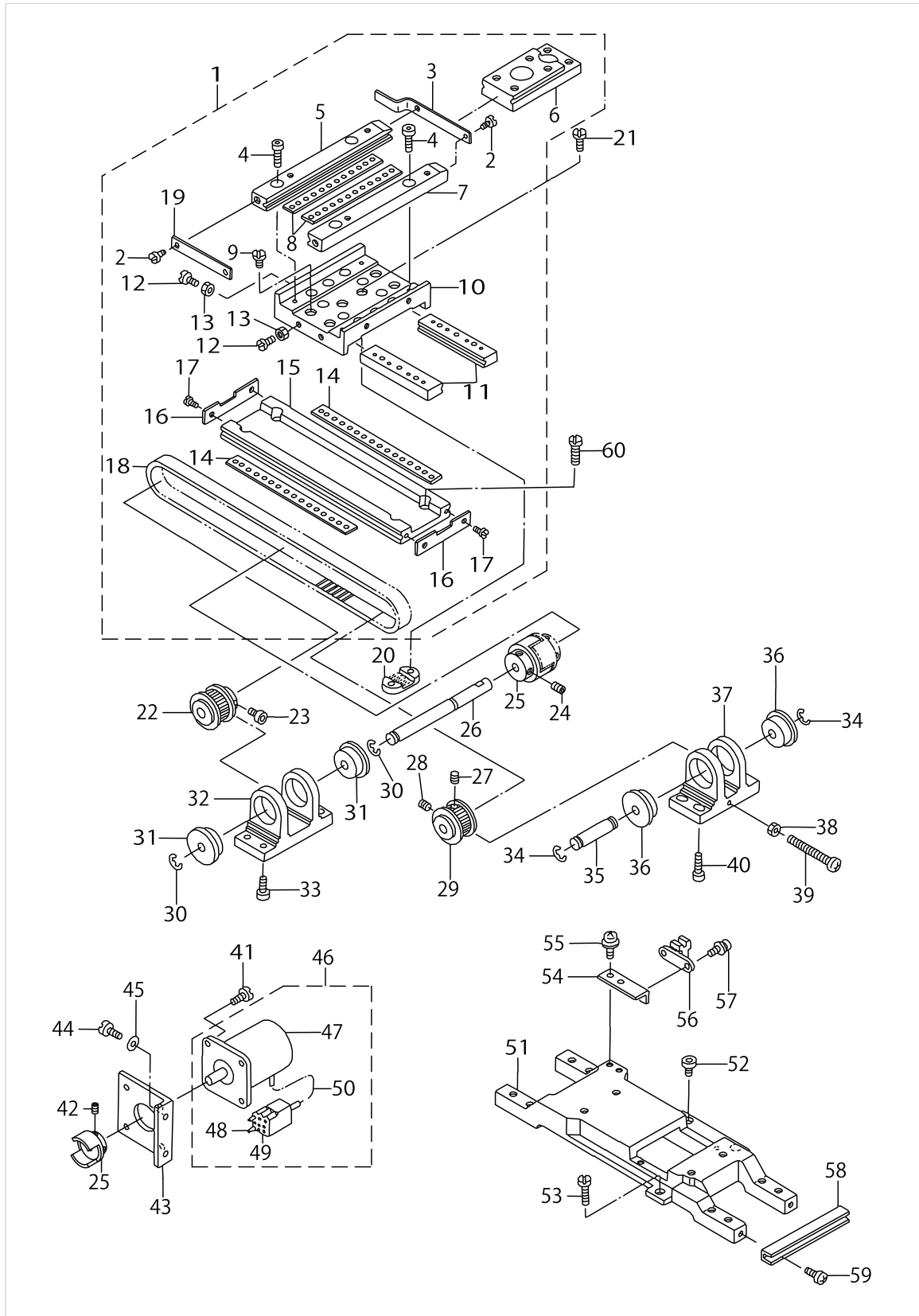
NEEDLE BAR DRIVING MECHANISM COMPONENTS



NEEDLE BAR DRIVING MECHANISM COMPONENTS

No.	Supply Code	Parts No.	Replacement	Parts name	Remarks	Choice	Step	Level	Cons	Qty	Rep. QTY
1	D	MCSM3320900		NEEDLE SMX332EXT.LG NM90						1	
2	D	25002007		NEEDLE BAR						1	
3		SS7080510TP		SCREW 1/8-44 L=4.5						1	
4	R	B1402372000	26017608	NEEDLE BAR BUSHING, UPPER						1	1.00
5		17803107		BUSHING						1	
6	D	17803206		THREAD TAKE-UP LEVER						1	
7		SS6091210TP		SCREW 9/64-40 L=12						1	
8		17806605		NEEDLE BAR SUPPORT						1	
9		17806506		SLIDE BLOCK A	SELECTIVE PART					1	
10	D	25001900		NEEDLE BAR LEVER						1	
11		SS9151630CP		SCREW 15/64-28 L=15.5						2	
12		NS6150440SP		NUT 15/64-28						1	
13		B1411372A00		WASHER	SELECTIVE PART					1	
14	R	B1407372000	26018101	BUSHING						1	1.00
15	R	B1408372000	26018200	LIFTING LEVER SHAFT						1	1.00
16		17806951		BALL JOINT UPPER ASM. SMALL						1	
17	R	B1410372000	B14123720A0	JOINT PIN				*		1	1.00
18	R	B1412372000	B14123720A0	CRANK CONNECTING ROD,SMALL				*		1	1.00
19	D	17806902		SCREW SMALL				*		2	
20		NS6680410SP		NUT 9/32-28						1	
21		25001751		CRANK BAR ASM.						1	
22		25001702		CRANK BAR				*		1	
23		CQ200000000		OIL WICK				*		0.3	
24		NS6680480SP		NUT 9/32-28						1	
25	D	B14163720A0		BALL JOINT ECCENTRIC ASM.						1	
26		B1418372000		CLAMP SCREW LOWER				*		2	
27		SS8660942TP		SCREW 1/4-40 L= 8.5				*		1	
28		SS8660612TP		SCREW 1/4-40 L=6				*		1	
29	R	B1419372000	26018309	OIL WICK				*		2	1.00

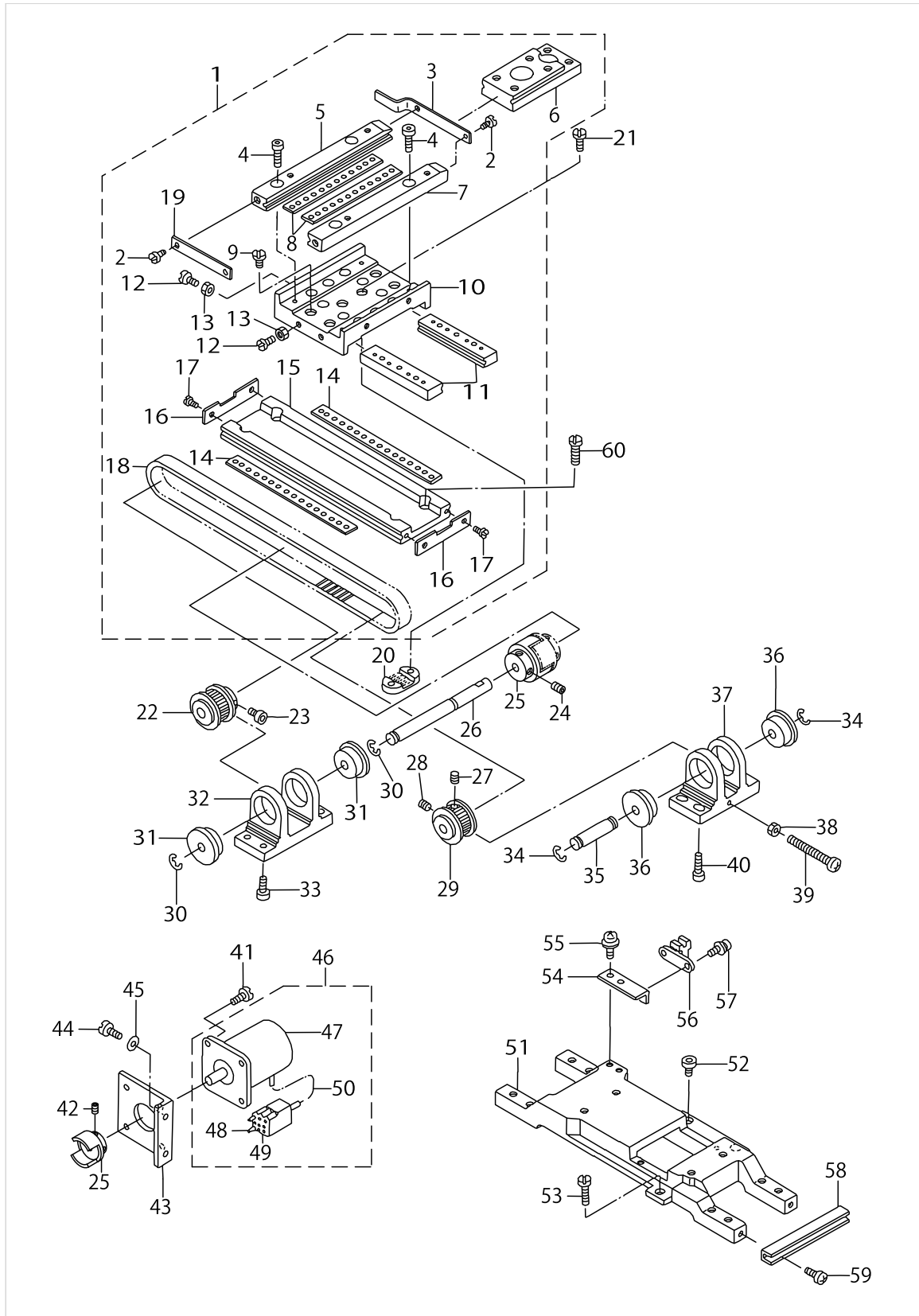
X-Y STEPPING MOTOR COMPONENTS (X SHAFT)



X-Y STEPPING MOTOR COMPONENTS (X SHAFT)

No.	Supply Code	Parts No.	Replacement	Parts name	Remarks	Choice	Step	Level	Cons	Qty	Rep. QTY
1		17814054		XY TABLE ASM.						1	
2	R	SS6090620SP	SS6090620TP	SCREW 9/64-40 L=6				*		4	1.00
3	D	17814104		X SLIT PLATE				*		2	
4		SM6041402TP		SCREW M4 L=14				*		4	
5	D	B2519205000		Y FIXED RACE, A				*		1	
6	D	B2519210000		Y REMOVAL RACE				*		1	
7	D	B2520205000		Y FIXED RACE, B				*		1	
8		B2522205000		Y BALL GAUGE				*		2	
9		SS7110910TP		SCREW 11/64-40 L= 8.5				*		4	
10	R	B2502210000	B25012100A0	RACE TABLE				*		1	1.00
11		B2503210000		X REMOVAL RACE				*		2	
12		SS7110910TP		SCREW 11/64-40 L= 8.5				*		4	
13		NS6110310SP		NUT 11/64-40				*		4	
14		B2521210000A		Y BALL GAUGE				*		2	
15	D	B2501205000		X FIXED RACE				*		1	
16		B2507210000		X STOPPER				*		2	
17	R	SS6090620SP	SS6090620TP	SCREW 9/64-40 L=6				*		4	1.00
18	D	B2512205000		X TIMING BELT				*		1	
19		B2522210000		Y STOPPER				*		1	
20		B2509210000		X BELT RECEIVER						1	
21		SS6110610TP		SCREW 11/64-40 L=6						2	
22		B2513210000		SPROCKET WHEEL						1	
23		SM6040602TP		SCREW M4 L=6						2	
24		SM8050802TP		SCREW M5X0.8 L=8						2	
25		B2516205000A		COUPLING						1	
26	D	17812801		X-Y DRIVE SHAFT						1	
27		SM8040602TP		SCREW M4X0.7 L=6						1	
28		SM8040802TP		SCREW M4X8						1	
29		B2514210000		SPROCKET WHEEL						1	
30		RE0600000K0		E-RING 6						2	
31		SB108000500		RADIAL BEARING						2	
32	D	B2504210000		BRACKET, A						1	
33		SM6051602TP		SCREW M5X0.8 L=16						4	
34		RE0600000K0		E-RING 6						2	
35		B2515210000		X BRACKET SHAFT						1	
36		SB108000500		RADIAL BEARING						2	
37	D	B2505210000		BRACKET, B						1	
38		NM6050003SC		NUT M5X0.8						1	
39		SM4051601SC		SCREW M5X0.8 L=16						1	
40		SM6051602TP		SCREW M5X0.8 L=16						4	
41		SS4110915SP		SCREW 11/64-40 L=9						4	
42		SM8050802TP		SCREW M5X0.8 L=8						2	
43		17813817		X MOTOR INSTALLING PLATE						1	
44		SS4110915SP		SCREW 11/64-40 L=9						2	
45		WP0501016SD		WASHER 5X10.5X1						2	
46	D	25018755		X STEPPING MOTOR (B) ASM.						1	

X-Y STEPPING MOTOR COMPONENTS (X SHAFT)



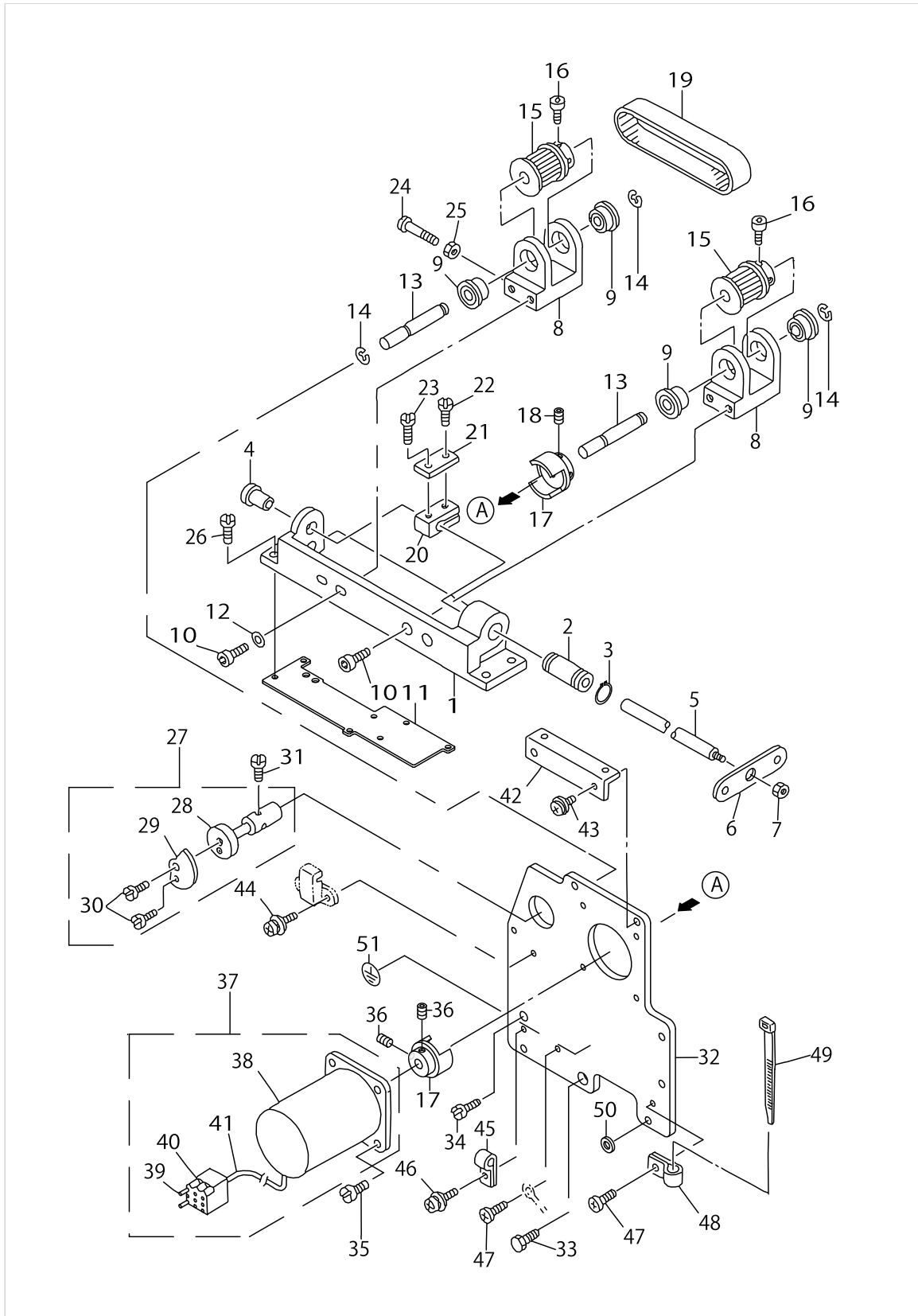
X-Y STEPPING MOTOR COMPONENTS (X SHAFT)

No.	Supply Code	Parts No.	Replacement	Parts name	Remarks	Choice	Step	Level	Cons	Qty	Rep. QTY
47	R	25018706	25018755	STEPPING MOTOR				*		1	1.00
48		HK003940010		PIN-SHAPE TERMINAL, FEMALE				*		4	
49	D	D8621761C0B		6P RECEPTACLE (BLUE)				*		1	
50		E8760452M00		TUBE				*		0.1	
51		17963703		X-Y TABLE BASE						1	
52		SS6151412TP		SCREW15/64-28L=14						2	
53		SS9151210TP		SCREW 15/64-28 L=11.8						1	
54	D	17814500		X INSTALLING PLATE						1	
55		SL4030891SC		SCREW M3X8						2	
56	D	17840653		SENSOR ASM.						1	
57		SL4031291SC		SCREW M3X12						2	
58	D	17814203		X ADJUSTING BASE						1	
59		SM4040801SN		SCREW M4 L=8						2	
60		SS6121210SP		SCREW 3/16-28 L=12						4	

X-Y STEPPING MOTOR COMPONENTS (Y SHAFT)

No.	Supply Code	Parts No.	Replacement	Parts name	Remarks	Choice	Step	Level	Cons	Qty	Rep. QTY
1		17812603		Y SHAFT BASE						1	
2		SB710000200		SLIDE BEARING						1	
3		RC1900001KP		C-RING						1	
4	D	17813403		Y COLLAR						1	
5		17812900		Y MOVING SHAFT						1	
6		B2525205000		Y REMOVAL BRACKET						1	
7		NS6150310SP		NUT 15/64-28						1	
8	D	17812702		Y BRACKET						2	
9		SB108000500		RADIAL BEARING						4	
10		SM6051202TP		SCREW M5X0.8 L=12						4	
11		25001603		SPACER B						1	
12		WP0531000SC		WASHER 5.3X10X1						2	
13	D	17812801		X-Y DRIVE SHAFT						2	
14		RE0600000K0		E-RING 6						4	
15		B2513210000		SPROCKET WHEEL						2	
16		SM6040602TP		SCREW M4 L=6						4	
17		B2516205000A		COUPLING						1	
18		SM8050802TP		SCREW M5X0.8 L=8						2	
19	D	17813106		Y TIMING BELT						1	
20	D	B2536210000		Y BELT BASE						1	
21		B2526210000		Y BELT RECEIVER						1	
22		SS7111810TP		SCREW 11/64-40L=18						1	
23		SS7110910TP		SCREW 11/64-40 L= 8.5						1	
24		SM4052501SC		SCREW M5X0.8 L=25						1	
25		NM6050003SC		NUT M5X0.8						1	
26		SS6151612TP		SCREW						4	
27	D	17813056		Y SLIT PLATE BOSS ASM.						1	
28		17813007		Y SLIT PLATE BOSS				*		1	
29	R	B4008205000	B40082050A0	Y SLIT PLATE				*		1	1.00
30		SS7090850SP		SCREW 9/64-40 L=8				*		2	
31		SS6090610SP		SCREW 9/64-40L=5.5						2	
32		25004003		Y MOTOR INSTALLING BASE						1	
33		SS9201813CP		SCREW 5/16-18 L=18						1	
34		SS6151440SP		SCREW 15/64-28L=14						1	
35		SS4110915SP		SCREW 11/64-40 L=9						4	
36		SM8050802TP		SCREW M5X0.8 L=8						2	
37	D	25018854		Y STEPPING MOTOR (B) ASM.						1	
38	R	25018706	25018755	STEPPING MOTOR				*		1	1.00
39		HK003940010		PIN-SHAPE TERMINAL, FEMALE				*		4	
40		HK018620060		6-POLE CONNECTOR				*		1	
41		E8760452M00		TUBE				*		0.1	
42	D	17813304		XY COVER PLATE						1	
43		SL4051091SC		SCREW M5X0.8 L=10						2	
44		SL4030891SC		SCREW M3X8						2	
45		HX00150000A		CABLE CLAMP						1	
46		SL4040891SC		SCREW M4 L=8						1	

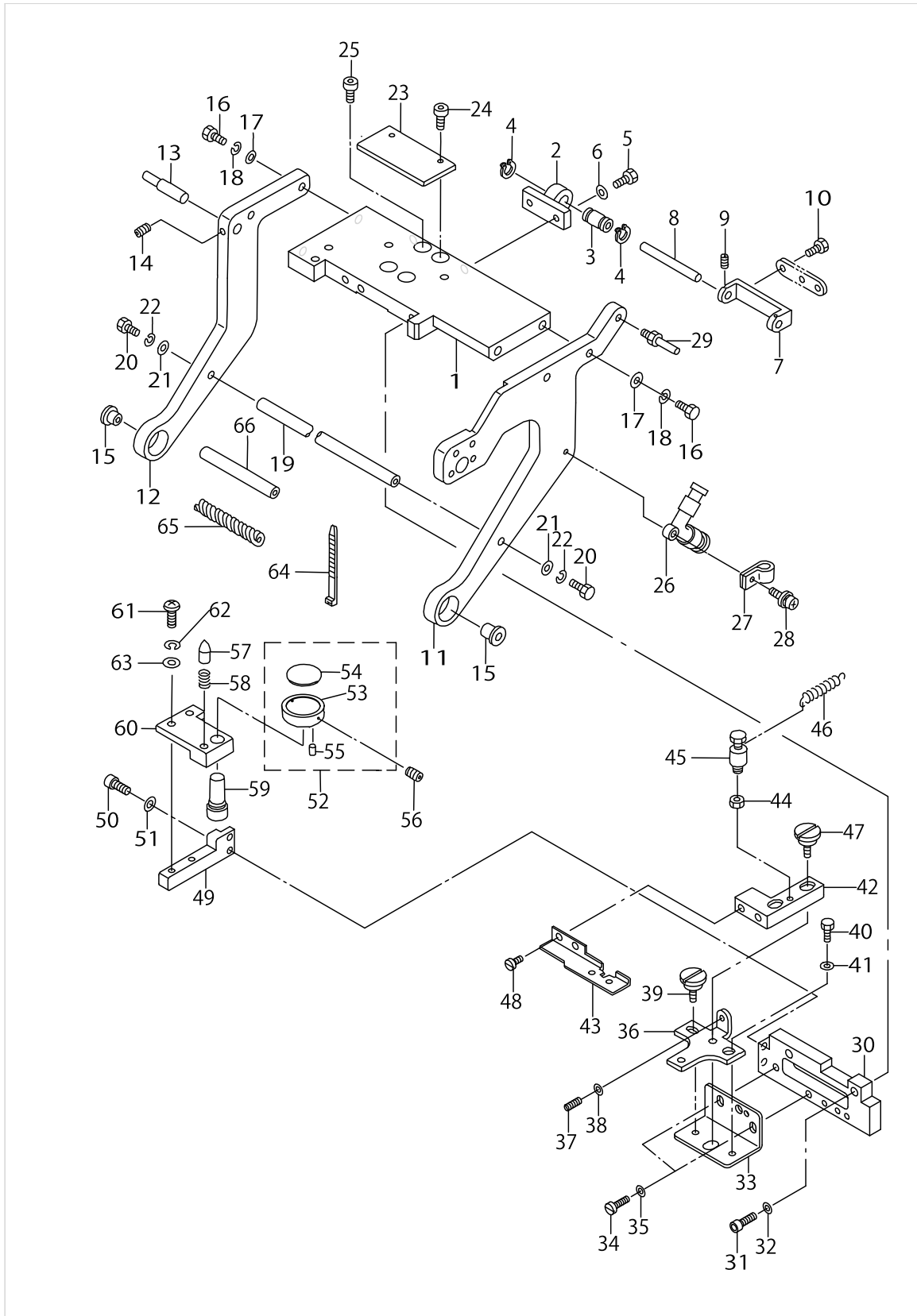
X-Y STEPPING MOTOR COMPONENTS (Y SHAFT)



X-Y STEPPING MOTOR COMPONENTS (Y SHAFT)

No.	Supply Code	Parts No.	Replacement	Parts name	Remarks	Choice	Step	Level	Cons	Qty	Rep. QTY
47		SL4040891SC		SCREW M4 L=8						2	
48		HX00150000A		CABLE CLAMP						1	
49		EA9500B0100		CABLE BAND						1	
50		11047305		BELT COVER RUBBER CUSHION						2	
51	R	10004109	22901805	GROUND MARK						1	1.00

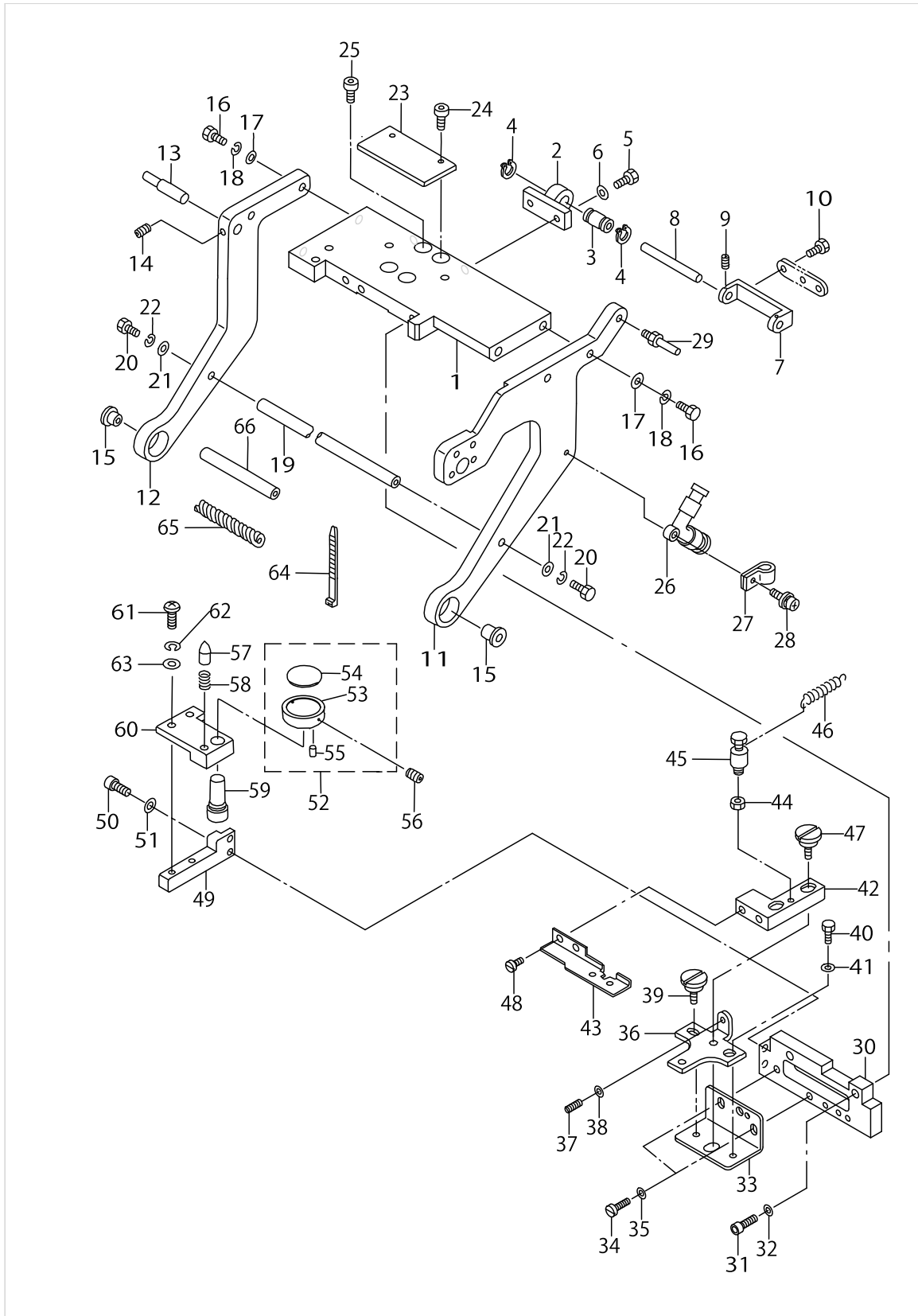
X-Y FRAME COMPONENTS



X-Y FRAME COMPONENTS

No.	Supply Code	Parts No.	Replacement	Parts name	Remarks	Choice	Step	Level	Cons	Qty	Rep. QTY
1		25004110		Y TABLE BASE						1	
2	D	17816604		Y TABLE SHAFT BRACKET						1	
3		SB710000200		SLIDE BEARING						1	
4		RC1900001KP		C-RING						2	
5		SM9062003SC		SCREW M6 L=20						2	
6		WP0641600SC		WASHEW6.4X12.5X1.6						2	
7		17816307		X SHAFT SUPPORT						1	
8	D	B2510205000		X GUIDE SHAFT						1	
9		SS8110422TP		SCREW 11/64-40 L=4						2	
10		SS9150910SP		SCREW						2	
11	D	25004201		FRAME, RIGHT						1	
12		25004300		FRAME, LEFT						1	
13		17816919		CYLINDER SHAFT						1	
14		SM8050612TP		SCREW M5X6						1	
15		SB110000500		BEARING						2	
16		SM9062553SC		SCREW M6 L=25						4	
17		WP0641600SC		WASHEW6.4X12.5X1.6						4	
18		WS0610002KN		SPRING WASHER 6.1X12.2X1.5						4	
19		17816505		FRAME SHAFT						1	
20		SM9062003SC		SCREW M6 L=20						2	
21		WP0641600SC		WASHEW6.4X12.5X1.6						2	
22		WS0610002KN		SPRING WASHER 6.1X12.2X1.5						2	
23		17816406		SLIDER PLATE						1	
24		SM6050802TR		SCREW M5X0.8 L=8						2	
25		SS6151612TP		SCREW						4	
26		PJ304040001		ELBOW						1	
27		HX00150000D		CABLE CLIP						1	
28		SL4042091SC		SCREW M4X0.7 L=20						1	
29		17816711		CYLINDER SHAFT						1	
30		25004508		INSTALLING PLATE BLOCK						1	
31		SM6051602TR		SCREW M5 L=16						2	
32		WP0531000SC		WASHER 5.3X10X1						2	
33	D	25004607		FITTING PLATE						1	
34		SM9051450SC		SCREW M5X0.8 L=14						2	
35		WP0531000SC		WASHER 5.3X10X1						2	
36		25004706		FIXING PLATE						1	
37		SS8111010TP		SCREW 11/64-40 L=9.5						1	
38		NS6110310SP		NUT 11/64-40						1	
39		SD0550212TP		HINGE SCREW D=5.5 H=2.1						1	
40		SS9110543CP		SCREW 11/64-40 L=5.3						1	
41		WP0450801SD		WASHER 4.5X10X0.8						1	
42		25004805		BLOCK						1	
43		25005000		SUPPORT PLATE						1	
44		NS6090310SP		NUT 9/64-40						1	
45		GBR01357000		SPRING HOOK						1	
46	D	GBR01333000		TENSION SPRING						1	

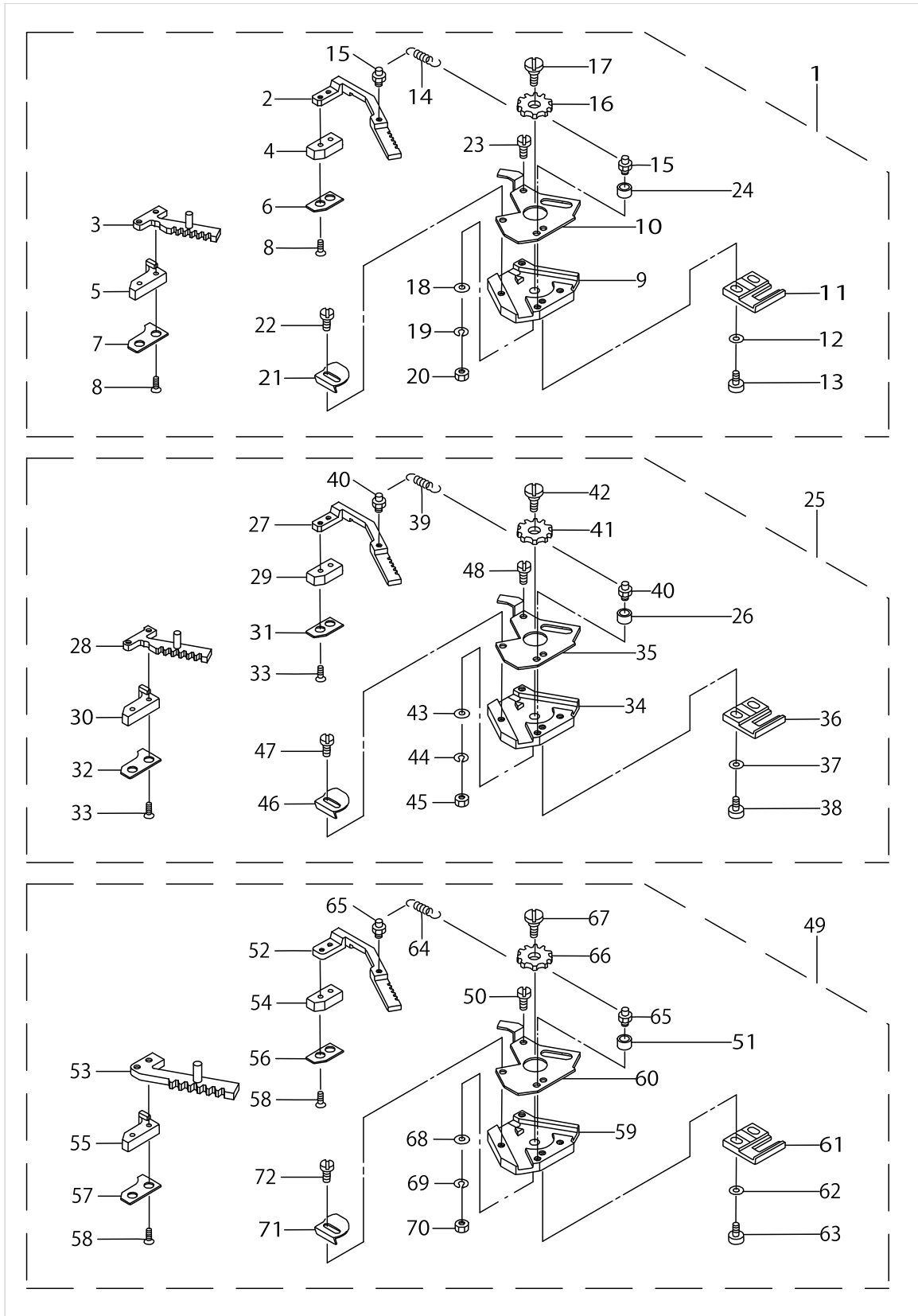
X-Y FRAME COMPONENTS



X-Y FRAME COMPONENTS

No.	Supply Code	Parts No.	Replacement	Parts name	Remarks	Choice	Step	Level	Cons	Qty	Rep. QTY
47		SD0700811TP		HINGE SCREW						2	
48		SS6090540SP		SCREW 9/64-40 L=5.0						2	
49		25005505		SIDE BLOCK						1	
50		SM6051602TR		SCREW M5 L=16						2	
51		WS0510002KN		SPRING WASHER						2	
52		25005752		SCOOP ADJUSTING KNOB ASM.						1	
53		25005703		SCOOP ADJUSTING KNOB				*		1	
54		25005802		SCOOP PIAL PLATE				*		1	
55		PS0200082KH		SPRING PIN				*		2	
56		SS8090710SP		SCREW 9/64-40 L=7.0						2	
57		17825514		RATCHET						1	
58		B152652700G		SPRING						1	
59	D	25005901		SCOOP ADJUSTING CAM						1	
60		25005604		CAM BASE						1	
61		SM4051601SC		SCREW M5X0.8 L=16						2	
62		WS0510002KN		SPRING WASHER						2	
63		WP0531000SC		WASHER 5.3X10X1						2	
64		EA9500B0100		CABLE BAND						4	
65		E1022760000		SPIRAL TUBE						.2	
66		HX00088000A		TUBE A (10)						.2	

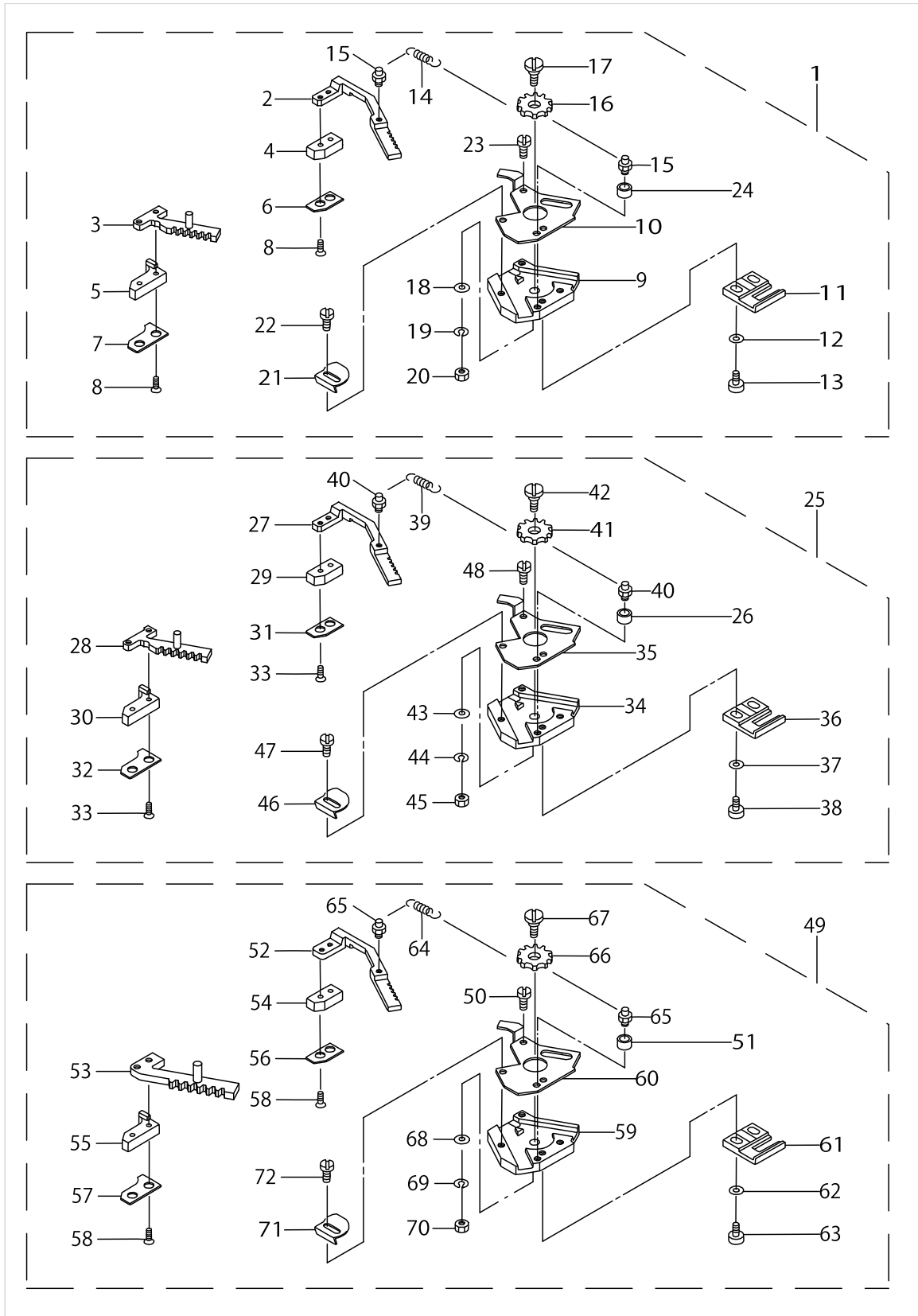
CHUCK COMPONENTS



CHUCK COMPONENTS

No.	Supply Code	Parts No.	Replacement	Parts name	Remarks	Choice	Step	Level	Cons	Qty	Rep. QTY
1	D	25010059		BUTTON CHUCK BASE COMPL.						1	
2		25010000		BUTTON CHUCK BASE, LEFT				*		1	
3		25010158		BUTTON CHUCK B-ASE(RIGHT)MEDIUM				*		1	
4	D	17969304		CHUCK SPACER BASE, LEFT				*		1	
5		17969403		CHUCK SPACER BASE, RIGHT				*		1	
6		25010208		BUTTON RECEIVING PLATE, LEFT				*		1	
7		25010307		BUTTON RECEIVING PLATE, RIGHT				*		1	
8		SM1850951SD		SCREW M2.5 L=9				*		4	
9	D	25010604		SLIDE BASE				*		1	
10		25010703		COLLAR				*		1	
11		25012006		BUTTON CHUCK ADJUST BASE				*		1	
12		WP0371016SD		WASHER 3.7X8X1				*		2	
13	R	SS6090620SP	SS6090620TP	SCREW 9/64-40 L=6				*		2	1.00
14		17970609		CHUCK SPRING				*		1	
15		17821208		SUSPENSION SCREW B				*		2	
16	D	17821018		OPEN AND SHUT GEAR				*		1	
17		SD0800291TP		HINGE SCREW				*		1	
18		WP0450801SD		WASHER 4.5X10X0.8				*		1	
19		WS0451040KP		SPRING WASHER 4.5X8.5X1				*		1	
20		NS6110420SP		NUT 11/64-40				*		1	
21	D	17821802		BUTTON CHUCK STOPPER				*		1	
22		SS6080610TP		SCREW 1/8-44 L=6				*		1	
23		SS6080410SP		SCREW 1/8-44 L=4				*		2	
24		25010703		COLLAR				*		1	
25		25010851		BUTTON CHUCK BASE COMPL.						1	
26		25010703		COLLAR				*		1	
27		25010802		BUTTON CHUCK BASE, LEFT				*		1	
28	D	25010950		BUTTON CHUCK B-ASE(RIGHT),LARGE				*		1	
29		25011008		CHUCK SPACER BASE, LEFT				*		1	
30	D	25011107		CHUCK SPACER BASE, RIGHT				*		1	
31		25011206		BUTTON RECEIVING PLATE, LEFT				*		1	
32		25011305		BUTTON RECEIVING PLATE, RIGHT				*		1	
33		SM1850951SD		SCREW M2.5 L=9				*		4	
34	D	25010604		SLIDE BASE				*		1	
35		25010703		COLLAR				*		1	
36		25012006		BUTTON CHUCK ADJUST BASE				*		1	
37		WP0371016SD		WASHER 3.7X8X1				*		2	
38	R	SS6090620SP	SS6090620TP	SCREW 9/64-40 L=6				*		2	1.00
39		17970609		CHUCK SPRING				*		1	
40		17821208		SUSPENSION SCREW B				*		2	
41	D	17821018		OPEN AND SHUT GEAR				*		1	
42		SD0800291TP		HINGE SCREW				*		1	
43		WP0450801SD		WASHER 4.5X10X0.8				*		1	
44		WS0451040KP		SPRING WASHER 4.5X8.5X1				*		1	
45		NS6110420SP		NUT 11/64-40				*		1	

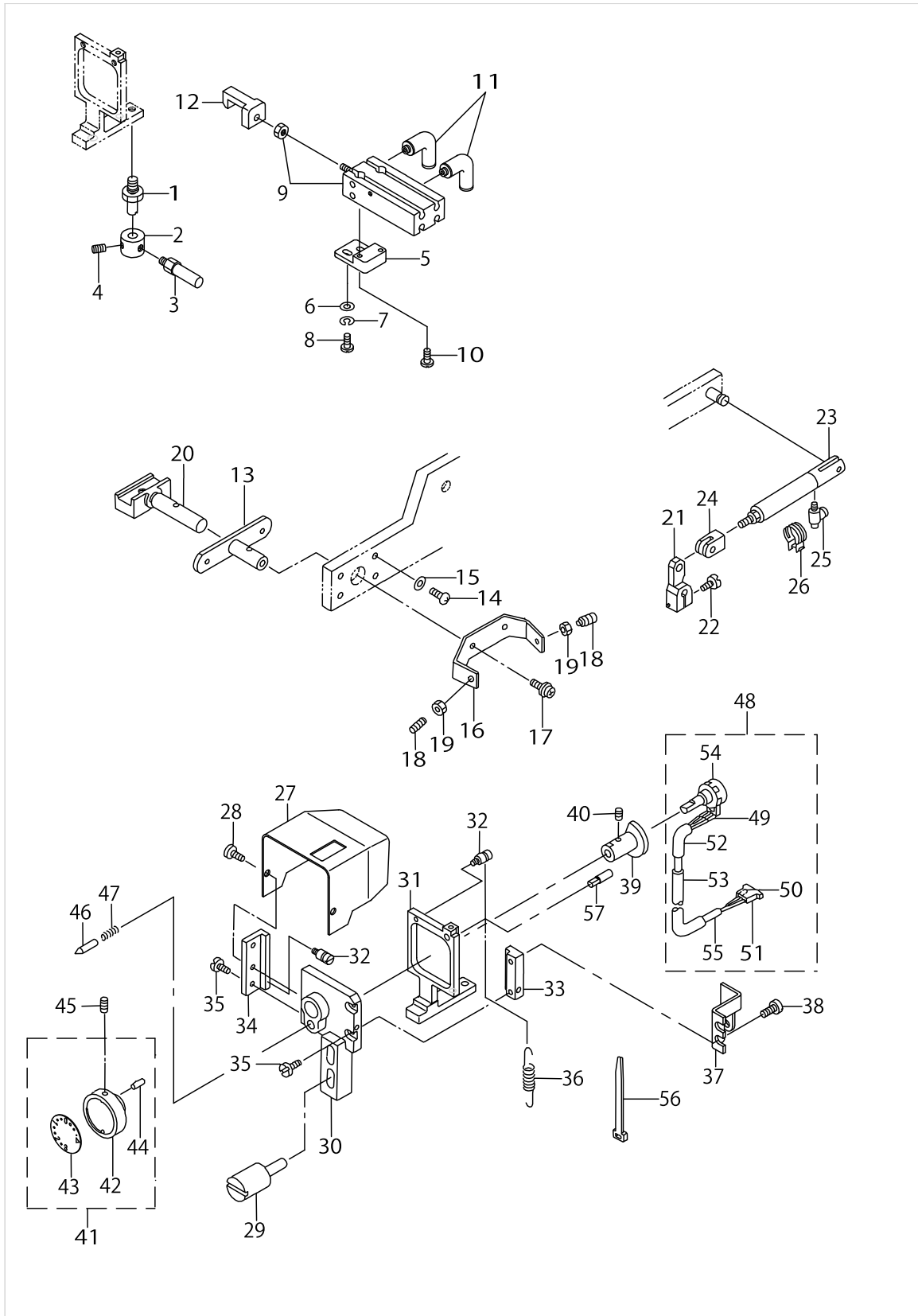
CHUCK COMPONENTS



CHUCK COMPONENTS

No.	Supply Code	Parts No.	Replacement	Parts name	Remarks	Choice	Step	Level	Cons	Qty	Rep. QTY
46	D	17821802		BUTTON CHUCK STOPPER				*		1	
47		SS6080610TP		SCREW 1/8-44 L=6				*		1	
48		SS6080410SP		SCREW 1/8-44 L=4				*		2	
49		25011453		BUTTON CHUCK BASE COMPL.				*		1	
50		SS6080410SP		SCREW 1/8-44 L=4				*		2	
51		25010703		COLLAR				*		1	
52		25011404		BUTTON CHUCK BASE, LEFT				*		1	
53		25011552		BUTTON CHUCK B-ASE(RIGHT),SMALL				*		1	
54		25011602		CHUCK SPACER BASE, LEFT				*		1	
55		25011701		CHUCK SPACER BASE, RIGHT				*		1	
56		25011800		BUTTON RECEIVING PLATE, LEFT				*		1	
57		25011909		BUTTON RECEIVING PLATE, RIGHT				*		1	
58		SM1850951SD		SCREW M2.5 L=9				*		4	
59	D	25010604		SLIDE BASE				*		1	
60		25010703		COLLAR				*		1	
61		25012006		BUTTON CHUCK ADJUST BASE				*		1	
62		WP0371016SD		WASHER 3.7X8X1				*		2	
63	R	SS6090620SP	SS6090620TP	SCREW 9/64-40 L=6				*		2	1.00
64		17970609		CHUCK SPRING				*		1	
65		17821208		SUSPENSION SCREW B				*		2	
66	D	17821018		OPEN AND SHUT GEAR				*		1	
67		SD0800291TP		HINGE SCREW				*		1	
68		WP0450801SD		WASHER 4.5X10X0.8				*		1	
69		WS0451040KP		SPRING WASHER 4.5X8.5X1				*		1	
70		NS6110420SP		NUT 11/64-40				*		1	
71	D	17821802		BUTTON CHUCK STOPPER				*		1	
72		SS6080610TP		SCREW 1/8-44 L=6				*		1	

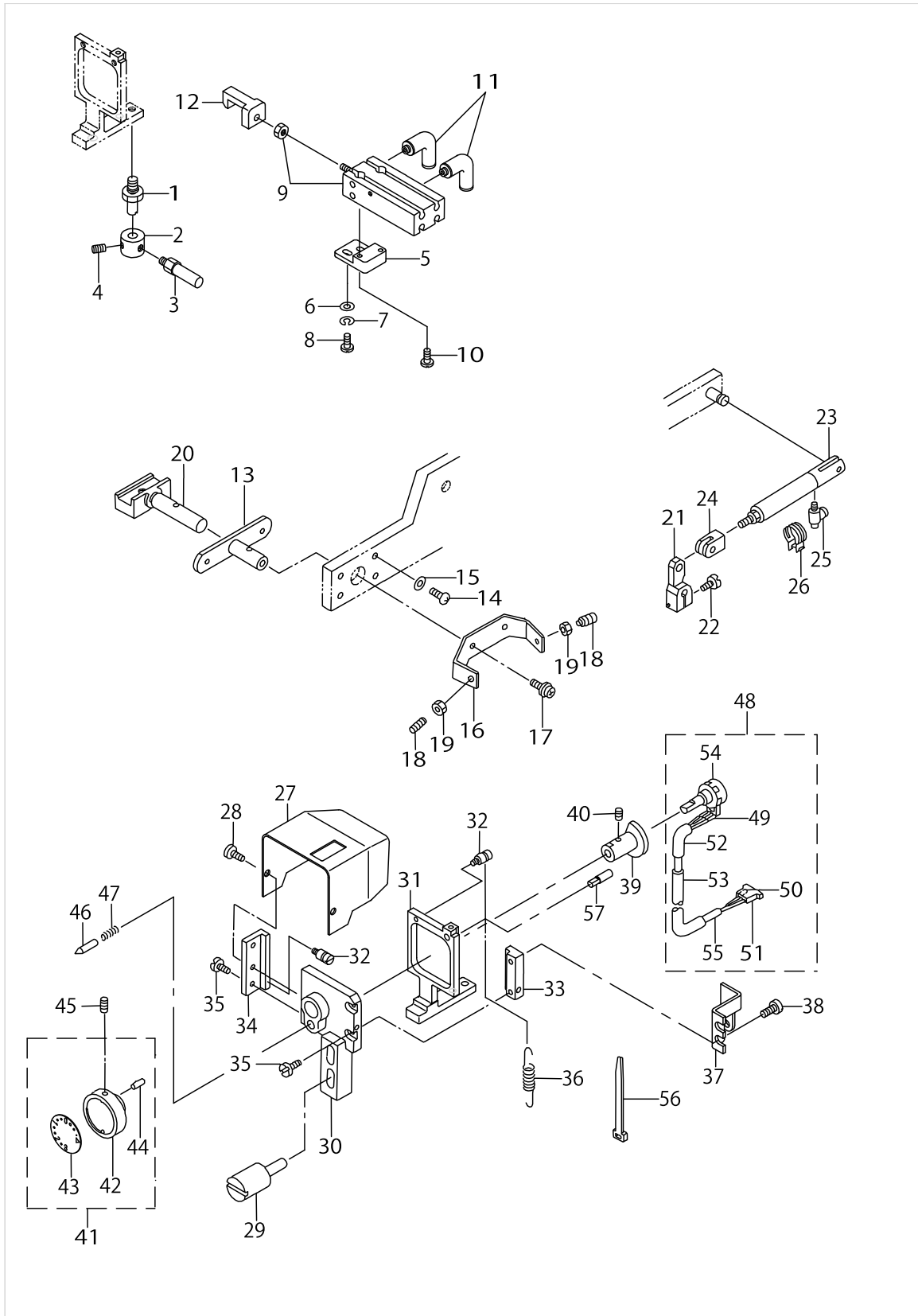
CHUCK TURN OVER COMPONENTS



CHUCK TURN OVER COMPONENTS

No.	Supply Code	Parts No.	Replacement	Parts name	Remarks	Choice	Step	Level	Cons	Qty	Rep. QTY
1	D	17970807		LOCK SCREW						1	
2		17970906		LOCK COLLAR						1	
3		17971003		LOCK LEVER						1	
4		SS8110422TP		SCREW 11/64-40 L=4						1	
5		25012303		CHUCK CYLINDER BASE						1	
6		WP0371016SD		WASHER 3.7X8X1						2	
7		WS0410002KP		SPRING WASHER						2	
8		SS7090850SP		SCREW 9/64-40 L=8						2	
9		PA0601505A0		CYLINDER						1	
10		SL4031681SC		SCREW M3 X 16						2	
11		PJ304040504		ELBOW UNION						2	
12	D	25012402		CHUCK MOVING LEVER						1	
13	D	17830209		BRACKET						1	
14		SM4041401SC		SCREW M4X0.7 L=14						2	
15		WP0430800SC		WASHER M4						2	
16	D	17830100		STOPPER BASE						1	
17		SL4051241SE		SCREW						2	
18		SS8151720SP		SCREW						2	
19		NS6150310SP		NUT 15/64-28						2	
20		25008608		TURN OVER SHAFT						1	
21		17830415		TURN LINK						1	
22		SS9151740CP		SCREW15/64-28L=17						1	
23		PA1603101A0		AIR CYLINDER						1	
24		PX500020000		KNUCKLE JOINT						1	
25		PC010507000		SPEED CONTROLLER						3	
26		PX5000480A0		SWITCH FITTING METAL						2	
27		25008319		COVER						1	
28		SM0030601SC		SCREW M3X0.5 L=6						2	
29		17964909		ADJUSTING BASE SCREW						1	
30	D	25007501		ADJUSTING BASE						1	
31		25007626		ADJUSTING SLIDE						1	
32	D	17818600		SUSPENSION SCREW						2	
33		25007709		ADJUSTING GUIDE, RIGHT						1	
34		25007808		ADJUSTING GUIDE, LEFT						1	
35		SS6080720SP		SCREW						4	
36	D	GBR01227000		TENSION SPRING						1	
37	D	25007907		CABLE SUPPORT						1	
38		SS6080720SP		SCREW						2	
39	D	25008004		CAM						1	
40		SS8080410TP		SCREW 1/8-44 L=3.5						1	
41		25008152		KNOB ASM.						1	
42	R	25008103	25008152	KNOB				*		1	1.00
43	R	25008202	25008152	PIAL PLATE				*		1	1.00
44		PS0200122K0		SPRING PIN 2.0X12				*		1	
45		SS8090710SP		SCREW 9/64-40L=7.0						2	
46		17825514		RATCHET						1	

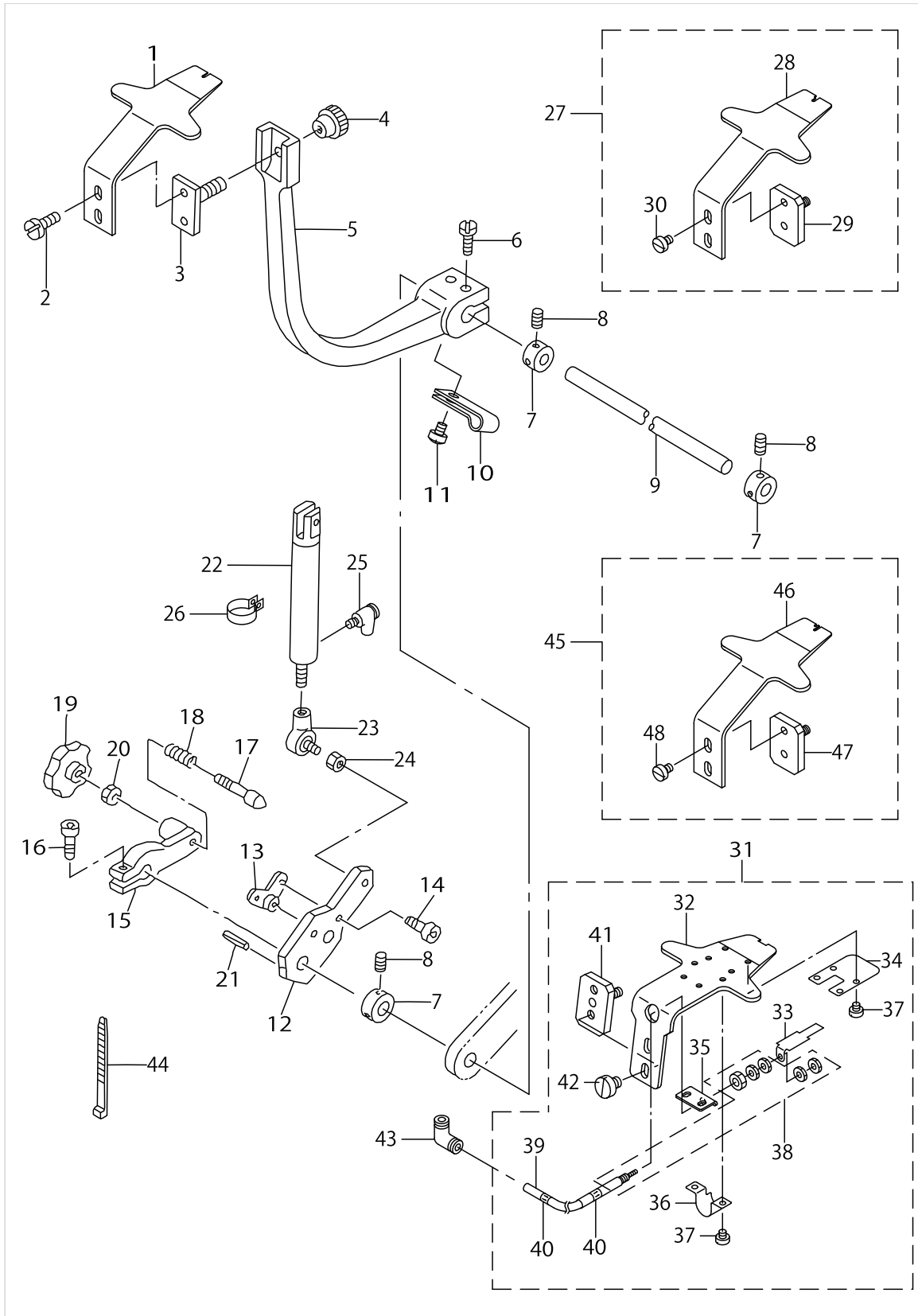
CHUCK TURN OVER COMPONENTS



CHUCK TURN OVER COMPONENTS

No.	Supply Code	Parts No.	Replacement	Parts name	Remarks	Choice	Step	Level	Cons	Qty	Rep. QTY
47		B152652700G		SPRING						1	
48	D	17842352		ENCODER ASM.						1	
49		E8760452B00		TUBE				*		0.1	
50	R	HK032040000	HK016540000	PIN TERMINAL				*		5	1.00
51		HK024910050		5P HOUSING				*		1	
52		E8760452H00		TUBE				*		0.1	
53		HX00088000A		TUBE A (10)				*		0.3	
54	D	HA002890000		SWITCH				*		1	
55	R	HW000660050	D5016D10NAH	CORD 5 CORE				*		2.5	1.00
56		EA9500B0100		CABLE BAND						1	
57	D	25008426		STUD						1	

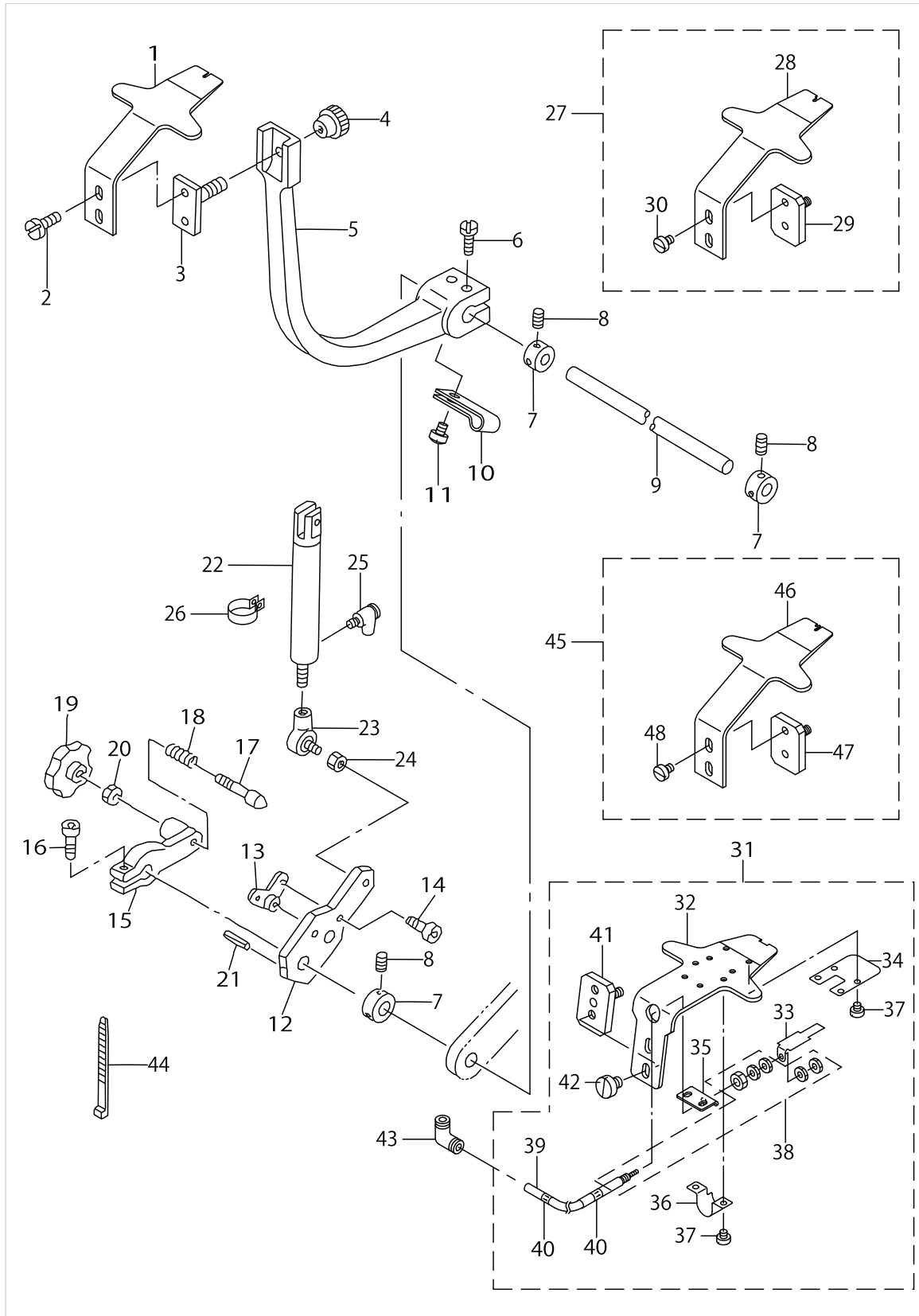
TANG COMPONENTS



TANG COMPONENTS

No.	Supply Code	Parts No.	Replacement	Parts name	Remarks	Choice	Step	Level	Cons	Qty	Rep. QTY
1	D	17966300		TANG						1	
2		SS6110610TP		SCREW 11/64-40 L=6						2	
3		17823550		TANG INSTALLING PLATE ASM.						1	
4		17823709		TANG KNOB						1	
5		17822800		TANG ARM						1	
6		SS6121212TP		SCREW 3/16-28 L=12.0						2	
7		CS1000811SP		THRUST COLLAR						4	
8		SS8110520TP		SCREW 11/64-40 L= 4.5						8	
9		17824103		SHAFT						1	
10		HX00150000A		CABLE CLAMP						1	
11		SS7120640SP		SCREW 3/16-28 L=6						1	
12		17822909		TANG TURH ARM						1	
13	D	17823006		BOSS						1	
14		SM6040602TP		SCREW M4 L=6						2	
15		17823105		PLATE						1	
16		SM6051202TP		SCREW M5X0.8 L=12						1	
17	D	17824202		PIN						1	
18	D	17824004		SPRING						1	
19		17824400		KNOB						1	
20		NM6050001SC		NUT M5						1	
21		PS0200082KH		SPRING PIN						1	
22		PA1503007A0		WORKPIECE PRESSER CYLINDER						1	
23		17824608		LIHK BALL						1	
24		NM6050001SC		NUT M5						1	
25		PC010507000		SPEED CONTROLLER						2	
26		PX500043000		BAND						1	
27	D	17966656		TANG ASM. (TRIANGLE 1.2MM)						1	
28		17966607		TANG (TRIANGLE 1.2MM)				*		1	
29		17823550		TANG INSTALLING PLATE ASM.				*		2	
30		SS6110610TP		SCREW 11/64-40 L=6				*		2	
31	D	25006750		TANG ASM. (FOR LIGHT FABLIC)						1	
32		25006701		TANG (FOR LIGHT FABLIC)				*		1	
33		25006800		THREAD PRESSER				*		1	
34		25006909		THREAD PRESSER COVER				*		1	
35		25007006		CYLINDER BRACKET				*		1	
36	D	25007105		CYLINDER COVER				*		1	
37		SS6080320SP		SCREW 1/8-44 L= 2.5				*		8	
38		PA0401001A0		CYLINDER				*		1	
39		BT0400251EB		URETHANE HOSE, BLACK				*		0.3	
40		18036004		WIRE MARK				*		2	
41		17823550		TANG INSTALLING PLATE ASM.				*		1	
42		SS6110610TP		SCREW 11/64-40 L=6				*		2	
43		PJ304040001		ELBOW						1	
44		EA9500B0100		CABLE BAND						2	
45	D	17966458		TANG ASM. (TRIANGLE STITCH)						1	
46		17966409		TANG (TRIANGLE STITCH)				*		1	

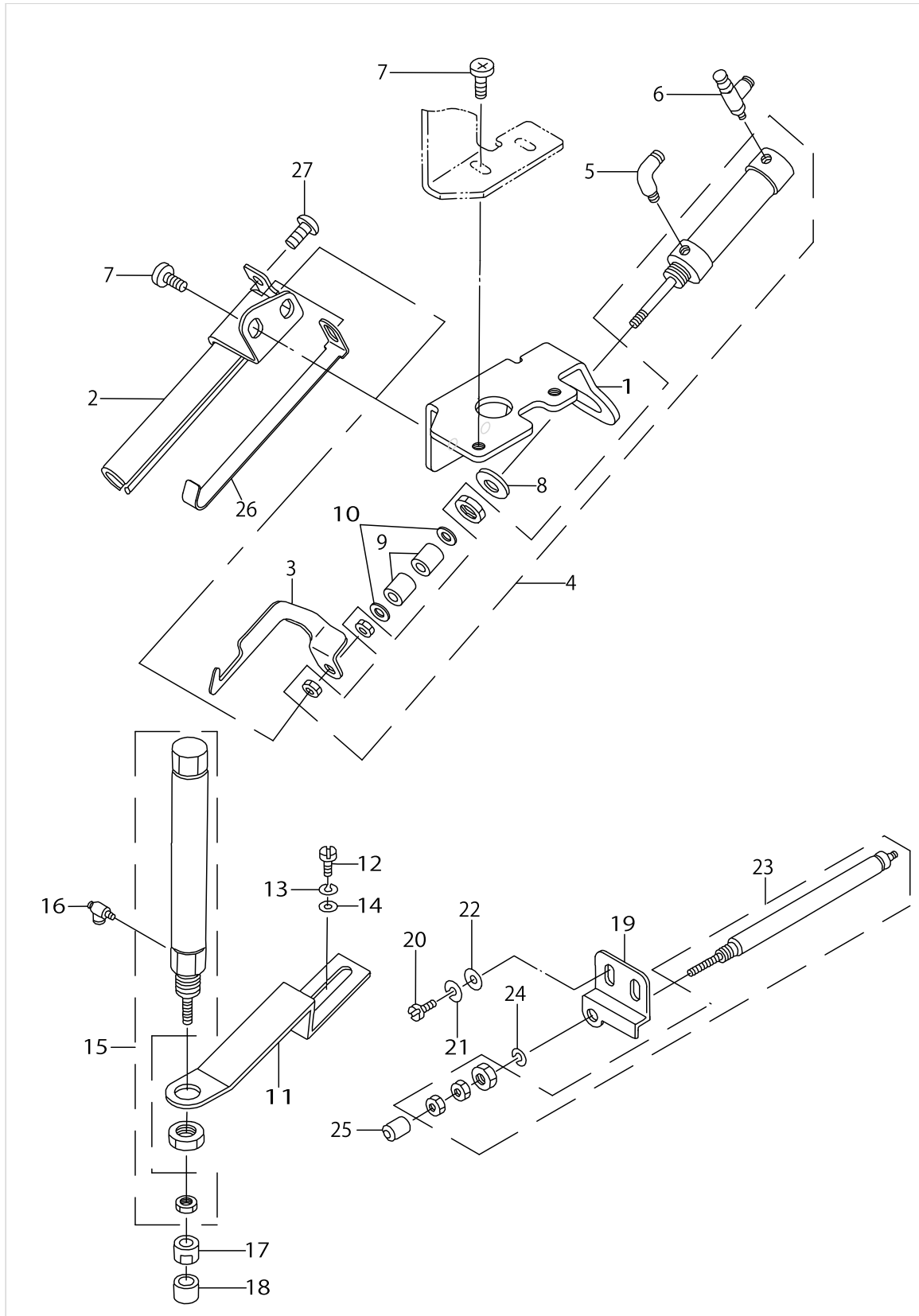
TANG COMPONENTS



TANG COMPONENTS

No.	Supply Code	Parts No.	Replacement	Parts name	Remarks	Choice	Step	Level	Cons	Qty	Rep. QTY
47		17823550		TANG INSTALLING PLATE ASM.				*		1	
48		SS6110610TP		SCREW 11/64-40 L=6				*		2	

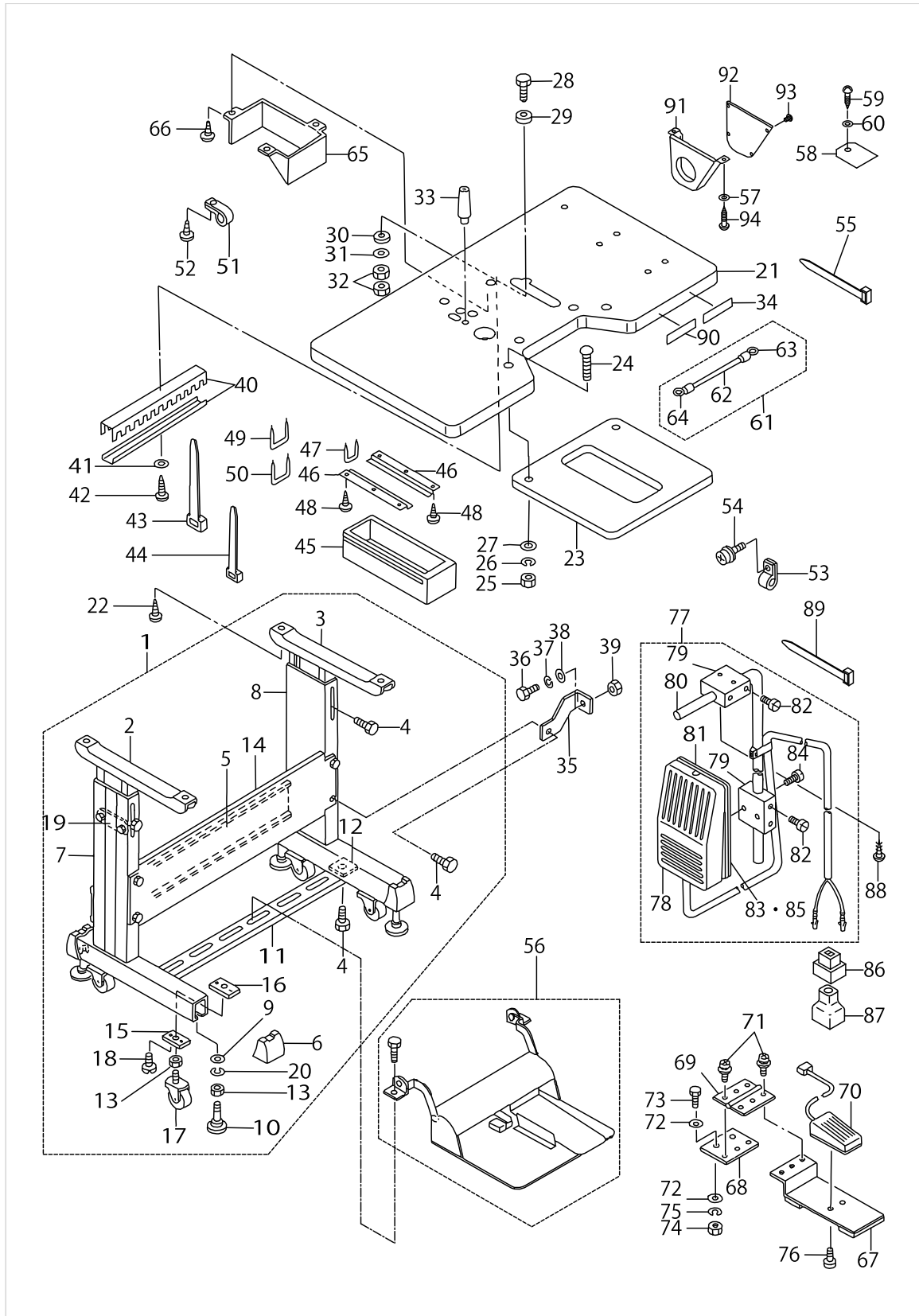
WIPER & PRESSER COMPONENTS



WIPER & PRESSER COMPONENTS

No.	Supply Code	Parts No.	Replacement	Parts name	Remarks	Choice	Step	Level	Cons	Qty	Rep. QTY
1	D	25003302		WIPER INSTALLING PLATE						1	
2		17826603		SUPPORT PIPE						1	
3	D	25003401		WIPER						1	
4		PA1008003A0		CYLINDER						1	
5		PJ304040504		ELBOW UNION						1	
6		PC010507000		SPEED CONTROLLER						1	
7		SL4040891SC		SCREW M4 L=8						4	
8		WP0841600SE		WASHER 8,4X15,5X1,6						1	
9		17967308		CYLINDER STOPPER						2	
10		WP0430800SC		WASHER M4						2	
11		17967209		CYLINDER BRACKET						1	
12		SM6051602TR		SCREW M5 L=16						2	
13		WS0510002KN		SPRING WASHER						2	
14		WP0560860SE		WASHER 5.6X12X0.8						2	
15		PA1005501A0		CYLINDER						1	
16		PC010507000		SPEED CONTROLLER						2	
17	D	17817206		SHAFT						1	
18		11503505		RUBBER CUSHION						1	
19		25006008		CYLINDER BRACKET						1	
20		SM9041050SC		SCREW M4X0.7 L=10						2	
21		WS0410002KN		SPRING WASHER						2	
22		WP0430800SC		WASHER M4						2	
23	D	PA0502401A0		CYLINDER						1	
24		WS0510002KP		SPRING WASHER 5.1X9.2X1.3						1	
25	D	17968009		BUTTON PUSHER						1	
26	D	17826504		SPRING						1	
27		SS4110615SP		SCREW 11/64-40 L=6						1	

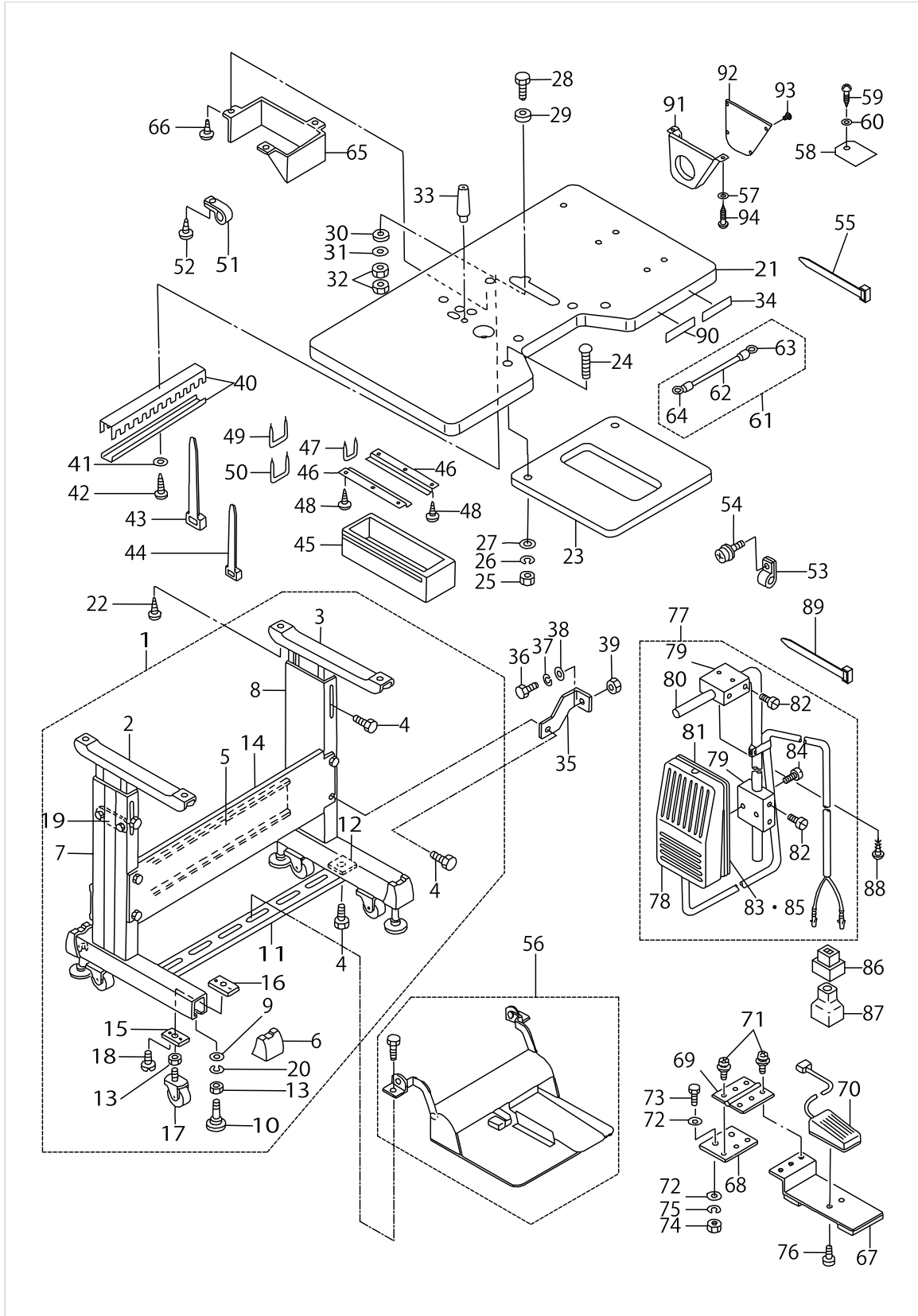
STAND & TABLE COMPONENTS



STAND & TABLE COMPONENTS

No.	Supply Code	Parts No.	Replacement	Parts name	Remarks	Choice	Step	Level	Cons	Qty	Rep. QTY
1	D	17832858		T-STAND UNIT						1	
2		11157757		STAND UPPER, LEFT				*		1	
3		11157658		STANDUPPER,RIGHT				*		1	
4		SL9082093SE		SCREW				*		16	
5	D	11158300		STAND SIDE SUPPORT				*		1	
6		11158607		RUBBER CAP				*		4	
7		17833054		STAND ASM., LEFT				*		1	
8		17832957		STAND ASM., RIGHT				*		1	
9		WP1302501SE		WASHER M12				*		8	
10		17833658		ADJUSTING BOLT ASM.				*		4	
11		11158409		STAND SIDE SUPPORT				*		1	
12		17007402		NUT				*		2	
13		NM6120003SE		NUT M12				*		4	
14		17833104		STAND SIDE				*		1	
15		17833302		CASTER PLATE A				*		4	
16		17833401		CASTER PLATE B				*		4	
17		17833500		CASTER				*		4	
18		SM6061202TP		SCREW M6 L=12				*		8	
19		11158508		PLATE				*		2	
20	D	WS1220002KR		SPRINGWASHER,M12				*		4	
21		25343005		TABLE						1	
22	R	SK3513200SC	SK3513201SE	WOOD SCREW D=5.1 L=32						4	1.00
23		17971805		AUXILIARY TABLE						1	
24		MTJMS000030		SCREW						2	
25		NS6200710SN		NUT 5/16-18						2	
26		WS0820002KN		SPRING WASHER M8						2	
27		WP0851846SC		WASHER 8.5X22.0X1.8						2	
28	D	17835000		SCREW						4	
29	D	17835109		CUSHION A						4	
30		17835307		CUSHION B						4	
31		WP0612056SD		WASHER 6.1X18.5X2						4	
32		NM6060001SC		NUT M6						8	
33		11280856		FRAME SUPPORT BAR ASM.						1	
34		25346107		NAME PLATE						1	
35	D	17833203		BOXSUPPORTPLATE						1	
36	D	SM9061403SC		SCREW M6 L=14						2	
37		WS0610002KN		SPRING WASHER 6.1X12.2X1.5						2	
38		WP0641600SC		WASHEW6.4X12.5X1.6						2	
39		NM6060001SC		NUT M6						2	
40		HX000130000		CONDUIT						.5	
41		WP0560860SE		WASHER 5.6X12X0.8						2	
42		SK3452500SC		WOOD SCREW D=4.5 L=25						2	
43		HX00065000B		CABLE BAND						2	
44		EA9500B0200		CABLE BAND 150						1	
45	R	11155108	11155157	DRAWER						1	1.00
46		11155207		DRAWER SUPPORT						2	

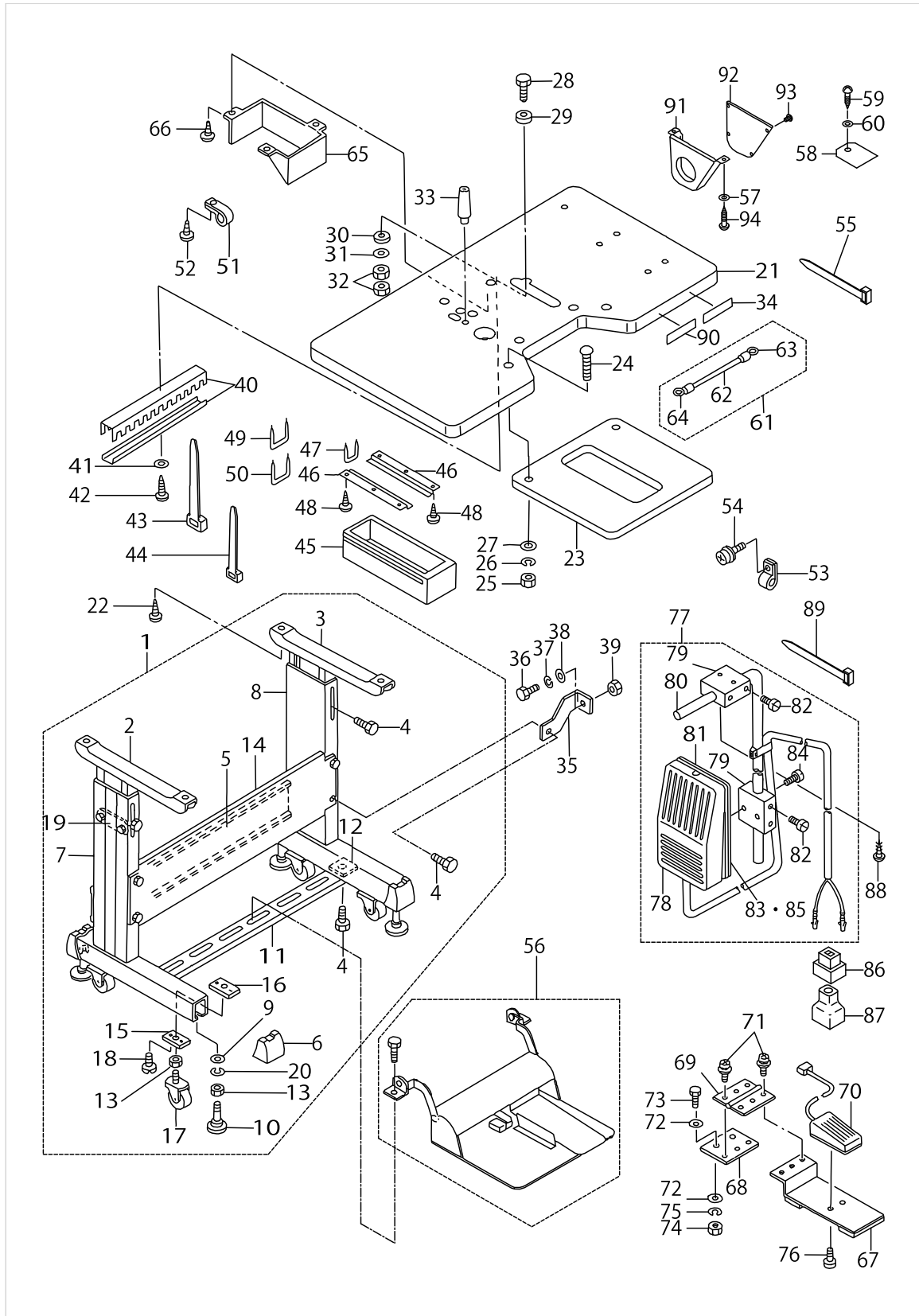
STAND & TABLE COMPONENTS



STAND & TABLE COMPONENTS

No.	Supply Code	Parts No.	Replacement	Parts name	Remarks	Choice	Step	Level	Cons	Qty	Rep. QTY
47		D8204555D00		DRAWER STOPPER						1	
48	R	SK3311600SC	SK3311601SE	WOOD SCREW D=3.1 L=16						6	1.00
49		D8204555D00		DRAWER STOPPER						3	
50		MAO11532000		CORD STAPLE						6	
51		HX00150000R		CABLE CLAMP						1	
52		SK3452500SC		WOOD SCREW D=4.5 L=25						1	
53		HX00150000A		CABLE CLAMP						1	
54		SL4040891SC		SCREW M4 L=8						1	
55		EA9500B0100		CABLE BAND						1	
56	D	GPK620010B0		2-JOINT PEDAL ASM.						1	
57		WP0561616SC		WASHER 5.6X16X1.6	FOR JE					2	
58		25014903		BELT COVER						1	
59	R	SK3311600SC	SK3311601SE	WOOD SCREW D=3.1 L=16						1	1.00
60		WP0430801SC		WASHER 4.3X9X0.8						1	
61		25018953		GROUND WIRE ASM.						1	
62	D	E9561351000		GROUNDING CORD, GREEN YELLOW				*		0.8	
63		EA9564B0100		CRIMP STYLE TERMINAL				*		1	
64		EA9564B0300		SOLDERLESS TERMINAL				*		1	
65	D	17836404		BELT COVER	FOR EXPORT					1	
66		SK3452500SC		WOOD SCREW D=4.5 L=25	FOR EXPORT					3	
67	D	17833955		SWITCH PLATE ASM.	SELECTIV PART					1	
68	D	17833807		STAND INSTALLING PLATE	SELECTIV PART					1	
69		16258402		HINGE	SELECTIV PART					1	
70	D	16115354		SPEED CONTROL SWITCH ASM.	SELECTIV PART					1	
71		SL4040891SC		SCREW M4 L=8	SELECTIV PART					6	
72		WP0871602SE		WASHER 8.7X18X1.6	SELECTIV PART					4	
73		SM9082023SE		SCREW M8 L=20	SELECTIV PART					2	
74		NM6080721SE		NUT M8	SELECTIV PART					2	
75		WS0861410KR		SPRING WASHER 8.6X15X1.4	SELECTIV PART					2	
76		SS4110615SP		SCREW 11/64-40 L=6	SELECTIV PART					2	
77		GAK320010B0		LIFTER KNEE SWITCH ASM. B	SELECTIV PART					1	
78		GAK320010A0		LIFTER KNEE SWITCH ASM. A				*		1	
79		MAT80230T00		KNEE SWITCH SUPPORT BASE				*		2	
80		MAT80231T00		DRIVING BAR, T002				*		1	
81	D	MAT80232T00		KNEE SWITCH SUPPORT PLATE				*		1	
82		SS6151220SP		SCREW 15/64-28 L=11.5				*		4	
83		SS7110710SL		SCREW 11/64-40 L=7.0				*		4	
84	R	SS7111410SP	SS7111410TP	SCREW 11/64-40 L=14				*		2	1.00
85		WP0480856SP		WASHER 4.8X8.4X0.8				*		4	
86		MAI15040000		2-POLE PLUG	SELECTIV PART					1	
87		MAT81126T00		2-POLE PLUG COVER	SELECTIV PART					1	
88	R	SK3514000SC	SK3514001SE	WOOD SCREW D=5.1 L=40	SELECTIV PART					2	1.00
89		EA9500B0100		CABLE BAND	SELECTIV PART					2	
90		CM500100001		CE MARKING LABEL	FOR JE					1	
91		B821021000B		MOTOR PULLEY COVER (A)	FOR JE					1	
92		B821121000B		MOTOR PULLEY COVER (B)	FOR JE					1	

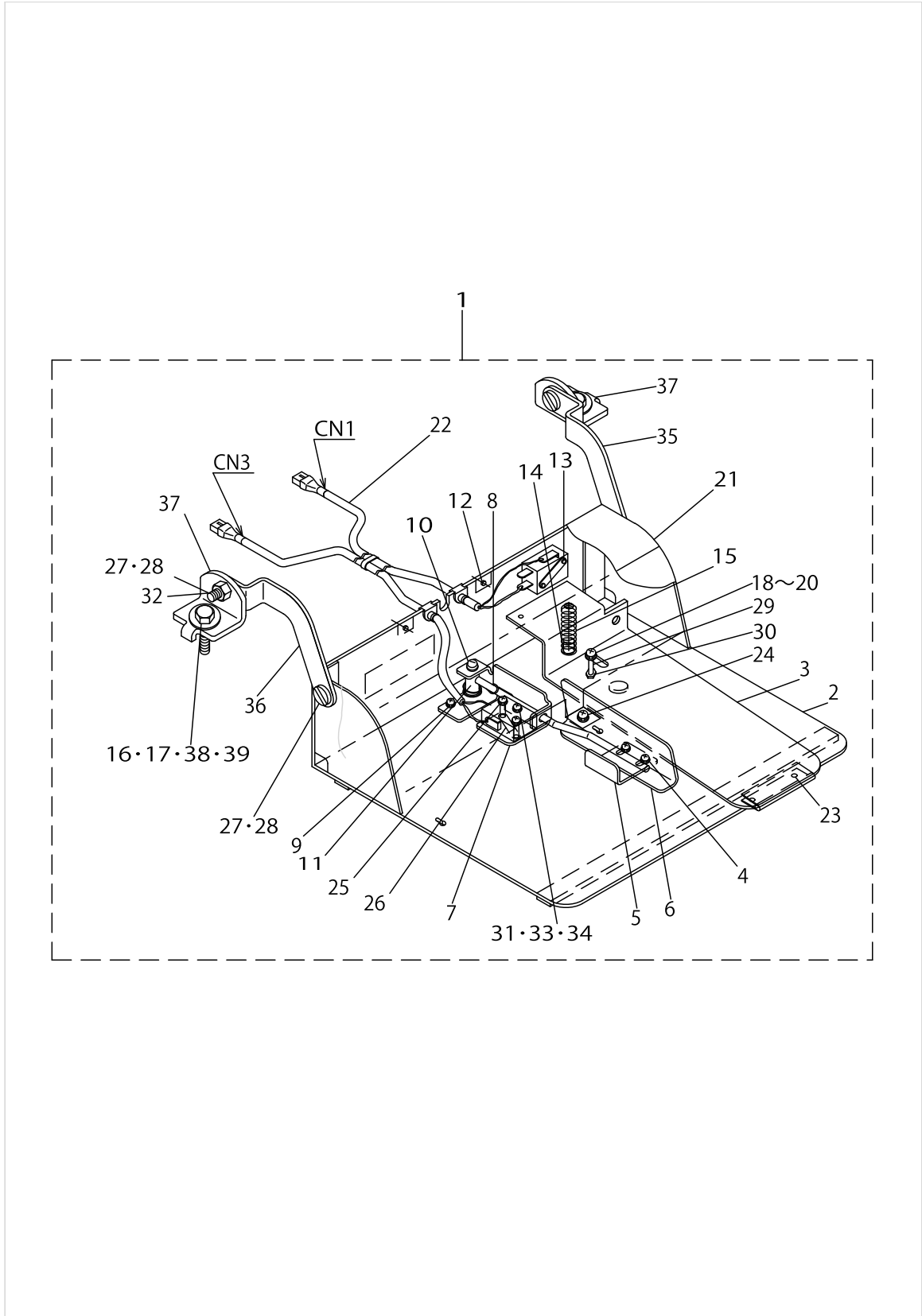
STAND & TABLE COMPONENTS



STAND & TABLE COMPONENTS

No.	Supply Code	Parts No.	Replacement	Parts name	Remarks	Choice	Step	Level	Cons	Qty	Rep. QTY
93		SL4040691SC		SCREW M4 L=6	FOR JE					6	
94	R	SK3552500SC	SK3552501SE	WOOD SCREW D=5.5 L=25	FOR JE					2	1.00

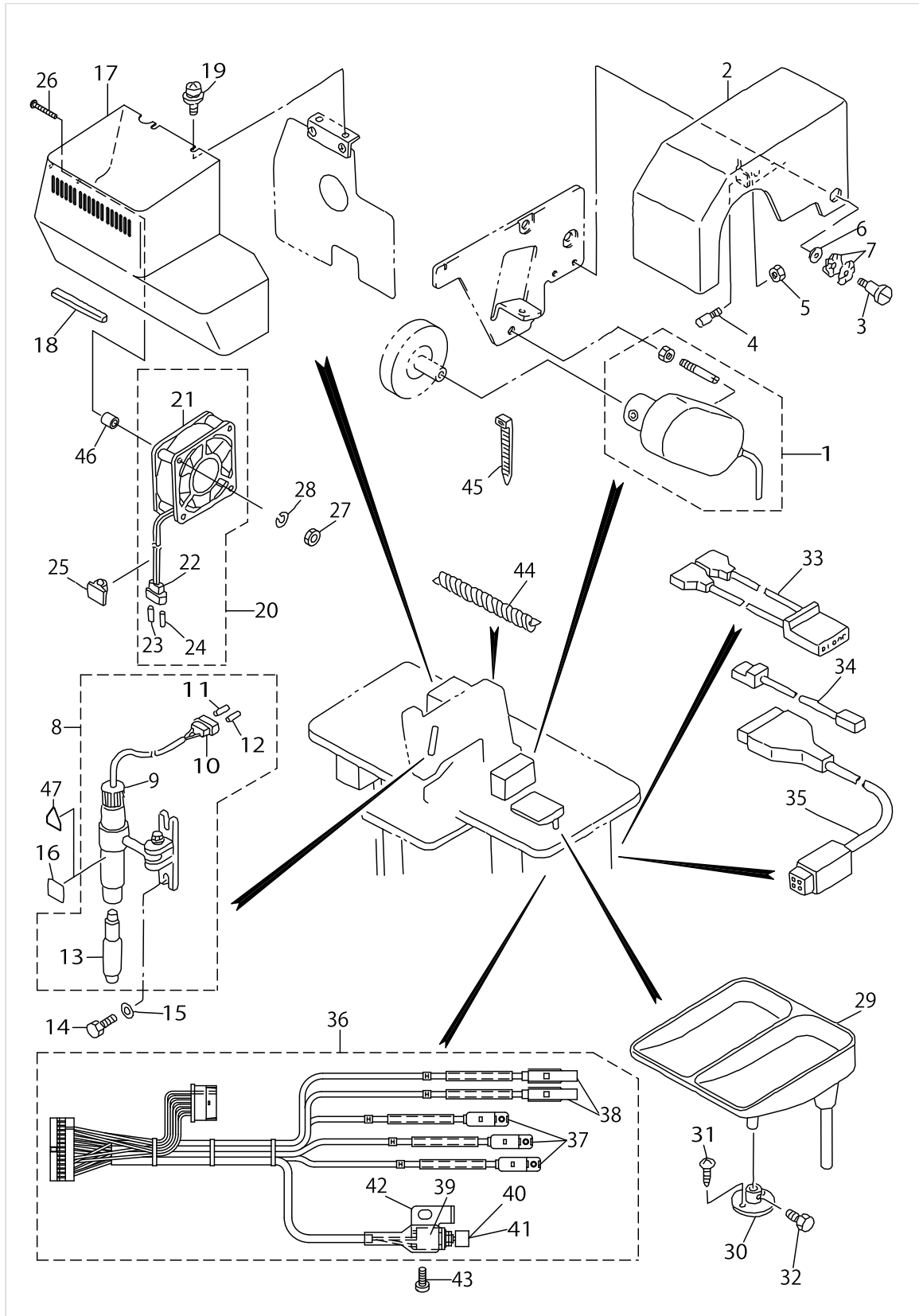
2-JOINT PEDAL COMPONENTS



2-JOINT PEDAL COMPONENTS

No.	Supply Code	Parts No.	Replacement	Parts name	Remarks	Choice	Step	Level	Cons	Qty	Rep. QTY
1	D	GPK620010B0		2-JOINT PEDAL ASM.						1	
2		GPK620010A0		PEDAL BASE ASM.				*		1	
3		GPK260030AA		PEDAL				*		1	
4		SL4040891SC		SCREW M4 L=8				*		2	
5		GPK2600800A		THREAD CUTTER S-WITCH STOPPER,W				*		1	
6		GPK2600700A		THREAD CUTTER S-WITCH LEVER, W				*		1	
7		GPK26009000		SWITCH BASE				*		1	
8		GPK26011000		SWITCH SPRING				*		1	
9		SL4040891SC		SCREW M4 L=8				*		1	
10		SS4111215SP		SCREW11/64-40L=12				*		1	
11		GPK26010000		SWITCH SHAFT				*		1	
12		SL4040691SC		SCREW M4 L=6				*		3	
13		SL4031691SC		SCREW M3 L=16				*		2	
14	R	11102308	22954408	MICRO SWITCH PLATE				*		1	1.00
15		GPK14013000		PEDAL SPRING				*		1	
16		WS0861410KR		SPRING WASHER 8.6X15X1.4				*		2	
17		NM6080721SE		NUT M8				*		2	
18		SL4042591SC		SCREW M4 L=25				*		1	
19		GHP03537000		WASHER				*		1	
20		WP0430801SC		WASHER 4.3X9X0.8				*		1	
21		GPK62002000		SWITCH COVER				*		1	
22		GPK620030B0		SWITCH CABLE ASM.				*		1	
23		SL4030691SC		SCREW M3X6				*		2	
24		WP0430801SC		WASHER 4.3X9X0.8				*		1	
25		SL4031691SC		SCREW M3 L=16				*		2	
26	R	11102308	22954408	MICRO SWITCH PLATE				*		1	1.00
27		SM9081620SE		SCREW M8 L=16				*		4	
28		NM6080002SE		NUT M8				*		4	
29		GPK26026000		SWITCH PEDAL GUIDE COLLAR				*		1	
30		NM6040003SC		NUT M4				*		1	
31		SM4041201SC		SCREW M4 L=12				*		1	
32		GPK26022000		JOINT FITTING COLLAR				*		4	
33		NM6040003SC		NUT M4				*		1	
34		GPK26028000		SWITCH BASE COLLAR				*		1	
35		GPK1800600AA		PEDAL BASE JOINT, RIGHT				*		1	
36		GPK1800700AA		PEDAL BASE JOINT, LEFT				*		1	
37		11159001		PEDAL SHAFT BRACKET				*		2	
38		SM9082023SE		SCREW M8 L=20				*		2	
39		WP0871602SE		WASHER 8.7X18X1.6				*		4	

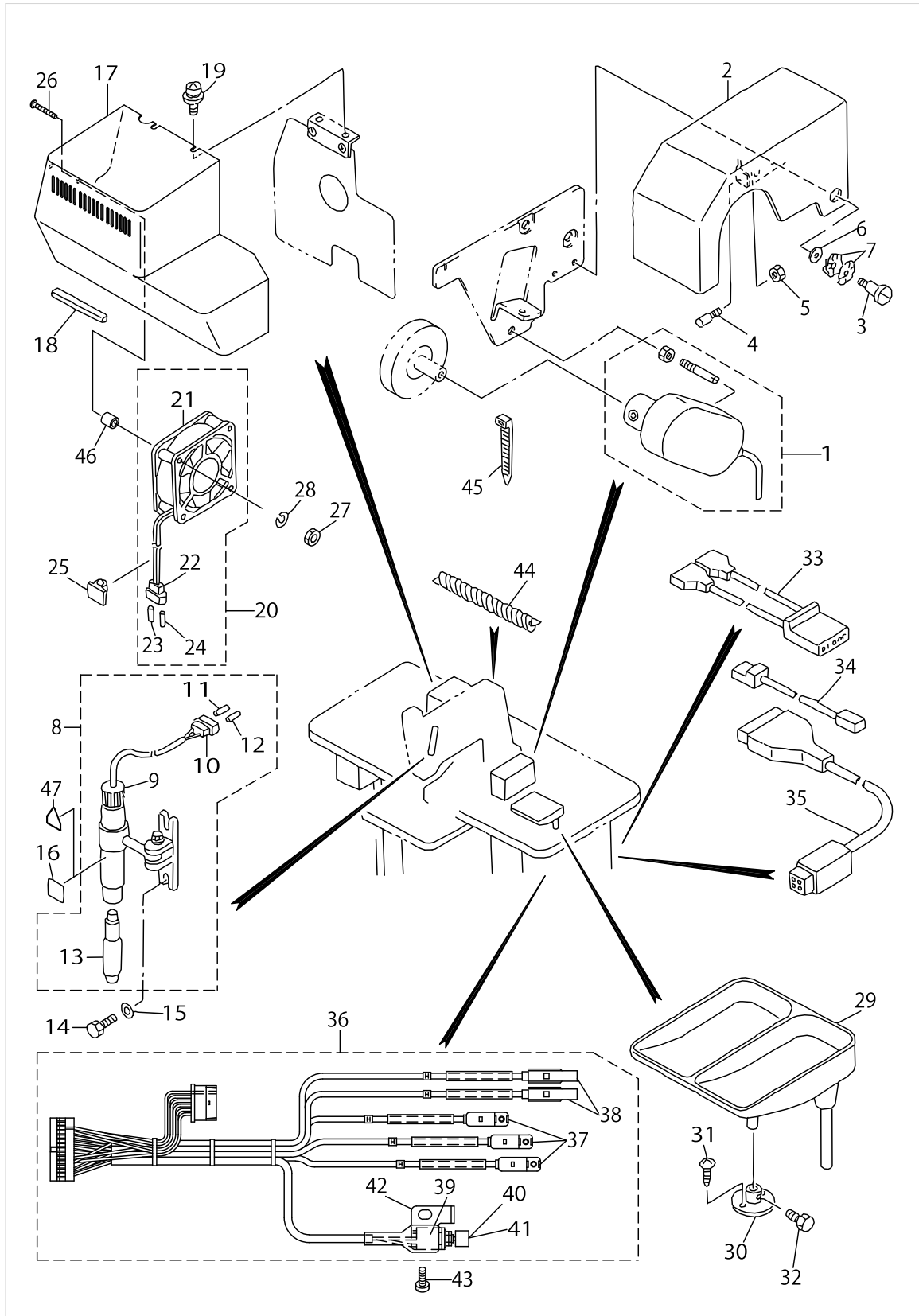
MISCELLANEOUS COVER & CORD COMPONENTS



MISCELLANEOUS COVER & CORD COMPONENTS

No.	Supply Code	Parts No.	Replacement	Parts name	Remarks	Choice	Step	Level	Cons	Qty	Rep. QTY
1	R	M8512120BAA	M8512120BBA	SYNCHRONIZERASM.						1	1.00
2	D	17836206		HAND WHEEL COVER						1	
3		SD0791051SP		HINGE SCREW D= 7.94 H=10.5						1	
4	D	B1120372000		SCREW STUD						1	
5		NS6150430SP		NUT 15/64-28						1	
6		WP08416000E		WASHER 8.4X15.5X1.6						1	
7		WZ0850302K0		WAVED WASHER 8.5X12.5X0.3						2	
8		17841958		MARKING LIGHT ASM.						1	
9		HE000150000		LIGHT				*		1	
10		MAI15040000		2-POLE PLUG				*		1	
11		D6042555B00		PIN TERMINAL, FEMALE				*		1	
12		D6043555B00		PIN TERMINAL, MALE				*		1	
13		16450702		MARKING LAMP				*		1	
14	D	SM9061403SC		SCREW M6 L=14						2	
15		WP0611626SP		WASHER 15X6X1.6						2	
16	D	17836305		LABEL	FOR EXPORT					1	
17	D	25012600		X-Y COVER						1	
18		HX002230000		ADJUSTABLE BUSH						13	
19		SL4051091SC		SCREW M5X0.8 L=10						4	
20	D	17842055		MOTOR PAN ASM.						1	
21	D	HM000550000		FAN				*		1	
22		MAI15040000		2-POLE PLUG				*		1	
23		D6043555B00		PIN TERMINAL, MALE				*		1	
24		D6042555B00		PIN TERMINAL, FEMALE				*		1	
25		HX002350000		CABLE CLAMP						1	
26		SM4043601SN		SCREW M4X0.7 L=36						2	
27		NM6040001SC		NUT M4						2	
28		WS0410002KN		SPRING WASHER						2	
29		17848458		BUTTON TRAY ASM.						1	
30	R	17848508	40033635	BUTTON TRAY BASE						1	1.00
31	R	SK3412000SC	SK3412000SE	WOOD SCREW D=4.1 L=20						2	1.00
32		SS9151210TP		SCREW 15/64-28 L=11.8						1	
33	D	M85305110A0		PULSE MOTOR CORD ASM.						1	
34		17978453		MOTOR FAN CORD ASM.						1	
35	D	M85225110A0		CLUTCH BRAKE CORD ASM.						1	
36		25013251		CYLINDER SENSOR ASM.						1	
37		PX060003000		AUTO SWITCH				*		3	
38		PX060010000		AUTO-SWITCH				*		2	
39		HA002470000		PUSH SWITCH				*		1	
40		HA00247001A		SWITCH PARTS				*		1	
41		HA00247001B		SWITCH PARTS	FOR JE			*		1	
42		25013202		PLATE				*		1	
43	R	SS6111010SP	SS6111010TP	SCREW 11/64-40 L= 9.5						1	1.00
44		HX001890000		SPIRAL TUBE						.2	
45		EA9500B0100		CABLE BAND						3	
46		11528809		WASHER						2	

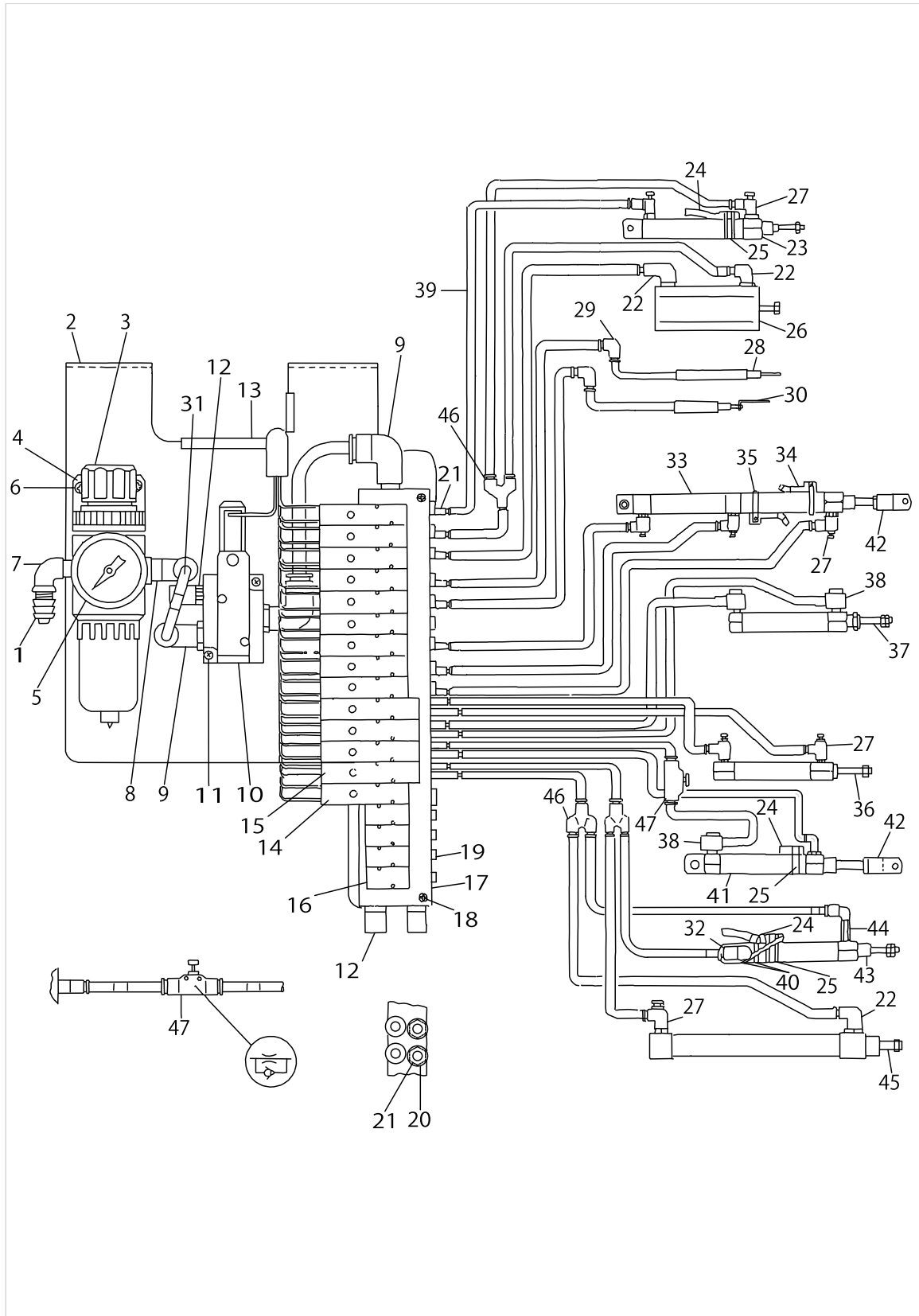
MISCELLANEOUS COVER & CORD COMPONENTS



MISCELLANEOUS COVER & CORD COMPONENTS

No.	Supply Code	Parts No.	Replacement	Parts name	Remarks	Choice	Step	Level	Cons	Qty	Rep. QTY
47	D	CM300500001		SEAL	FOR DOME- STIC USE					1	

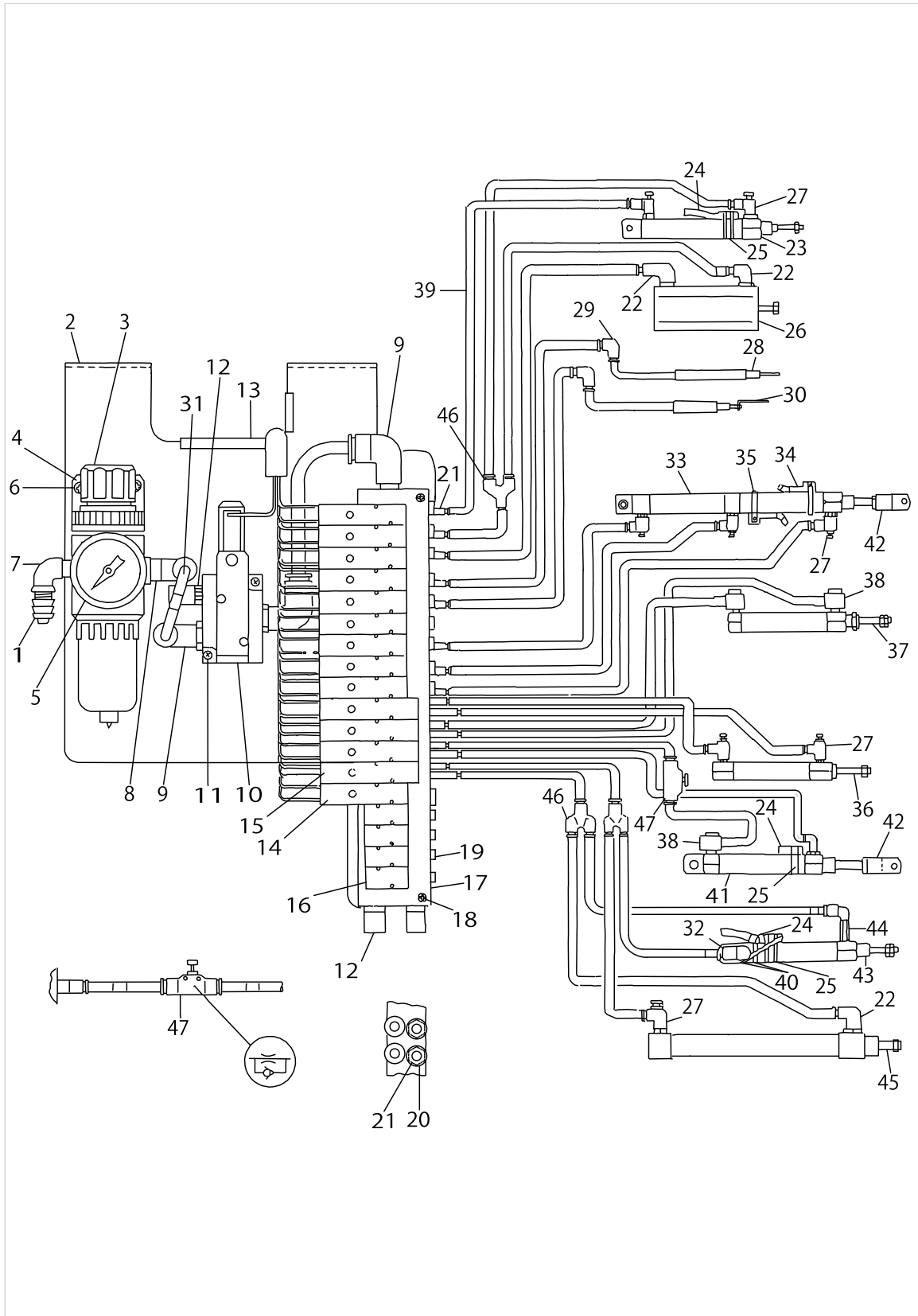
PNEUMATIC COMPONENTS



PNEUMATIC COMPONENTS

No.	Supply Code	Parts No.	Replacement	Parts name	Remarks	Choice	Step	Level	Cons	Qty	Rep. QTY
1		F1021003000		HOSE JOINT						1	
2		17839507		PANEL						1	
3	D	PF025204000		FILTER REGULTOR						1	
4		PF905003000		BRACKET						1	
5		PF065102000		PRESSURE GAUGE						1	
6		SL4040891SC		SCREW M4 L=8						2	
7		PJ042520002		ELBOW						1	
8		PJ304065201		ELBOW UNION 6XPT1/4						1	
9		PJ304065101		ELBOW UNION 6XPT1/8						3	
10		PV135113000		SOLENOID VALVE						1	
11		SL4043091SC		SCREW M4 L=30						2	
12		PX055103000		SILENCER						3	
13		HX00223000A		BUSHING						.1	
14	D	PV130517000		SOLENOID VALVE						10	
15		PV150517000		SOLENOID VALVE						4	
16	D	17972357		BLANKING PLATE						4	
17	D	PV030514000		MANIFOLD						1	
18		SL4043091SC		SCREW M4 L=30						2	
19		PJ020500002		PLUG						20	
20		PJ301040505		HALF UNION						16	
21		PJ010505001		JOINT						4	
22		PJ304040504		ELBOW UNION						3	
23		PA1503007A0		WORKPIECE PRESSER CYLINDER						1	
24		PX060003000		AUTO SWITCH						3	
25		PX500043000		BAND						3	
26		PA0601505A0		CYLINDER						1	
27		PC010507000		SPEED CONTROLLER						8	
28	D	PA0502401A0		CYLINDER						1	
29		PJ304040001		ELBOW						2	
30		PA0401001A0		CYLINDER						1	
31		BT0600401EB		TUBE						.2	
32		PJ309040501		ELBOW UNION						1	
33		PA1603101A0		AIR CYLINDER						1	
34		PX060010000		AUTO-SWITCH						2	
35		PX5000480A0		SWITCH FITTING METAL						2	
36		PA1005501A0		CYLINDER						1	
37		PA1003012A0		CYLINDER						1	
38		PJ042050002		ELBOW						3	
39		BT0400251EB		URETHANE HOSE, BLACK						22.6	
40		EA9500B0200		CABLE BAND 150						2	
41		PA1501009A0		CYLINDER						1	
42		PX500020000		KNUCKLE JOINT						2	
43		PA1504001A0		CYLINDER						1	
44		PJ304040507		LONG ELBOW UNION						1	
45		PA1008003A0		CYLINDER						1	
46		PJ308040002		QUICK COUPLING						3	

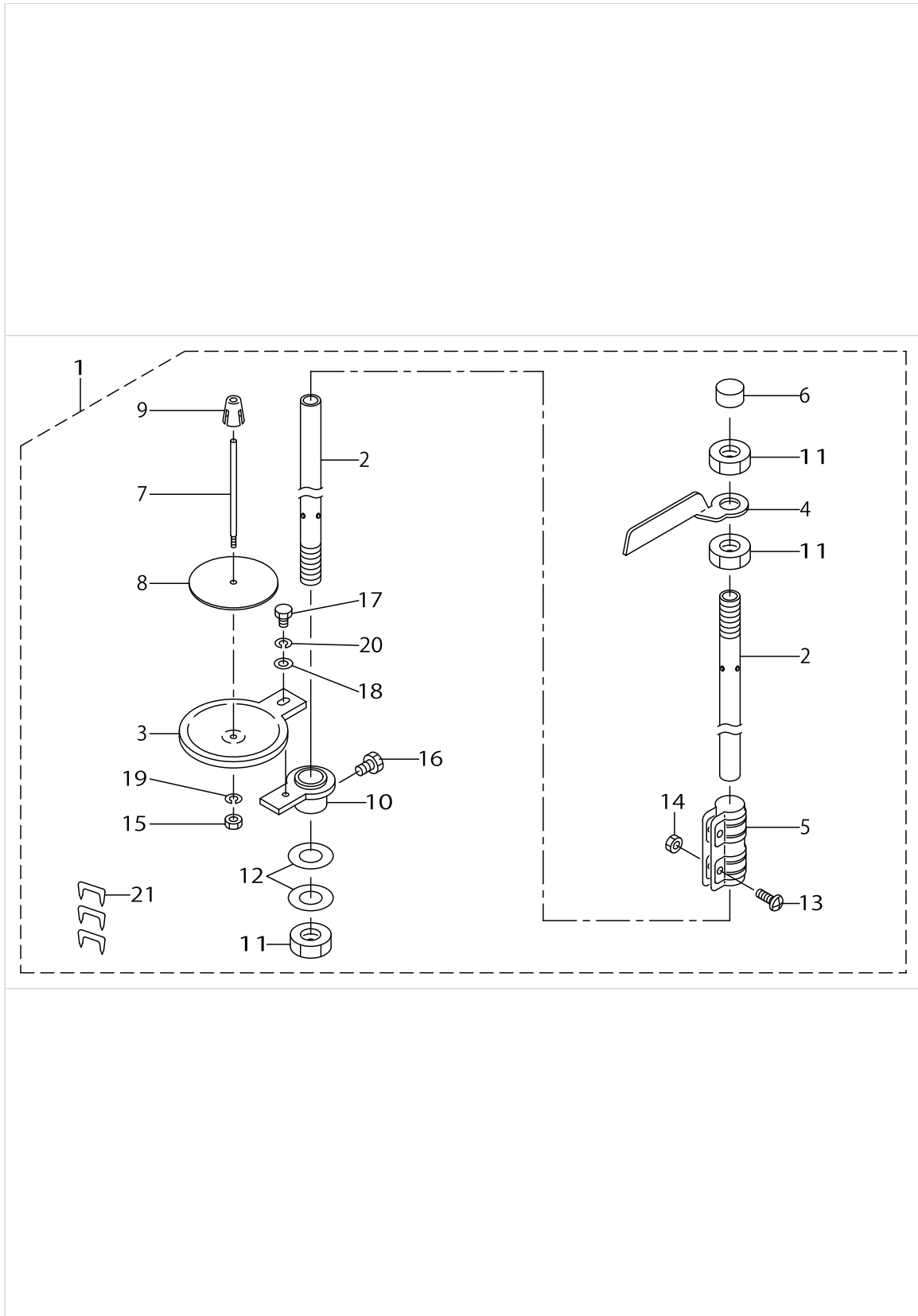
PNEUMATIC COMPONENTS



PNEUMATIC COMPONENTS

No.	Supply Code	Parts No.	Replacement	Parts name	Remarks	Choice	Step	Level	Cons	Qty	Rep. QTY
47		PC012401000		SPEED CONTROLLER						1	

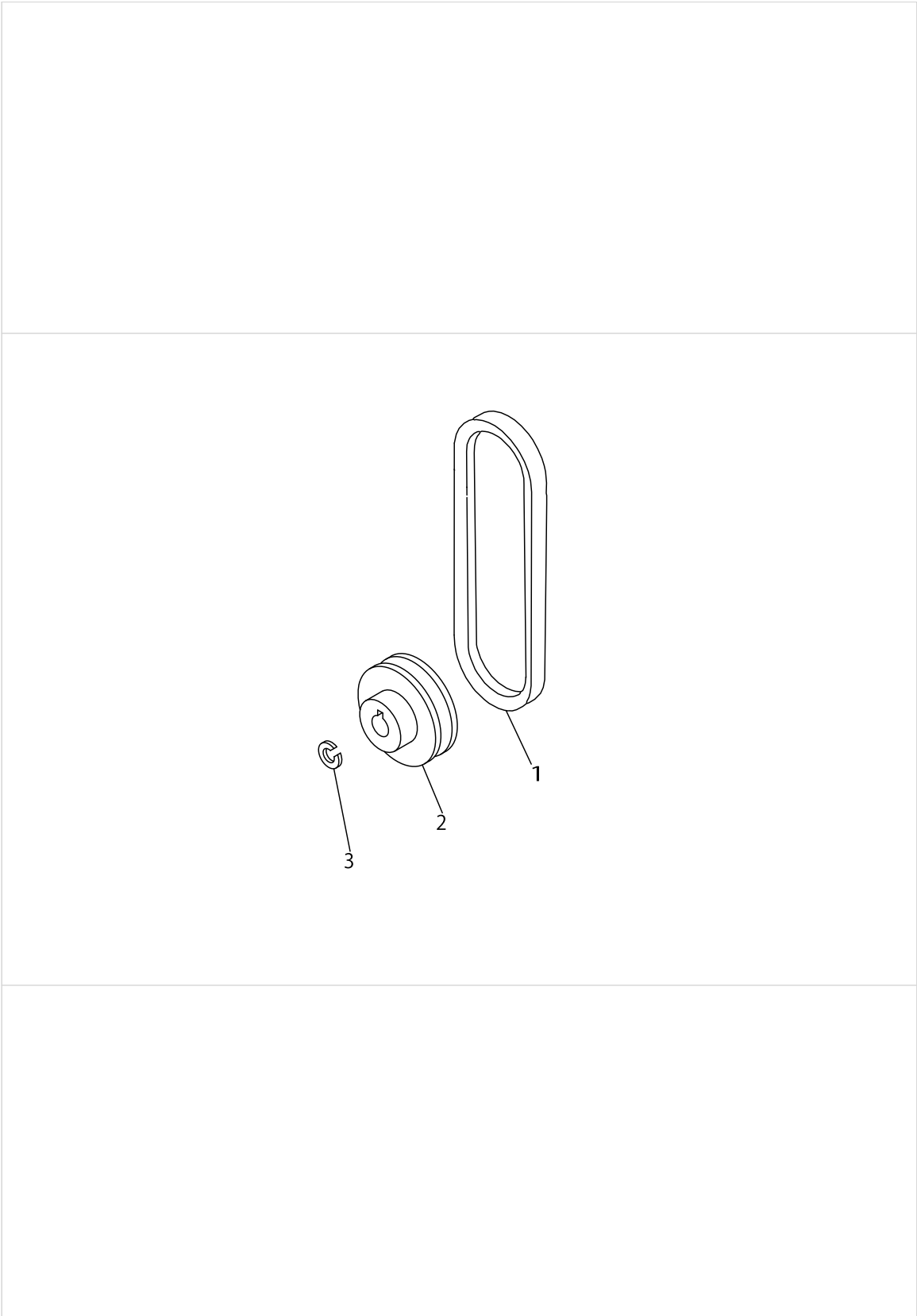
THREAD STAND COMPONENTS



THREAD STAND COMPONENTS

No.	Supply Code	Parts No.	Replacement	Parts name	Remarks	Choice	Step	Level	Cons	Qty	Rep. QTY
1	R	B33011800AA	26008359	THREAD STAND ASM.						1	1.00
2	R	11185105	40096354	SPOOL REST ROD,LOWER				*		2	1.00
3		B3303180000		SPOOL REST				*		1	
4		B3307704000		THREAD GUIDE A				*		1	
5	R	B3305704000A	40096354	SPOOL REST ROD JOINT				*		1	1.00
6	R	B3311704000	22931406	SPOOL REST ROD CAP				*		1	1.00
7	R	B3320704L00A	40085790	SPOOL PIN				*		1	1.00
8	D	B3311012000		SPOOL REST CUSHION				*		1	
9	D	11185501		SPOOL RETAINER				*		1	
10	D	D3302772T00		SPOOL REST BRACKET				*		1	
11	R	B3317704000	NM6160511SE	NUT				*		3	1.00
12		WP1612616SE		WASHER 16X30X2.6				*		2	
13		SM4051405SE		SCREW M5 L=14				*		2	
14		NM6050001SE		NUT M5				*		2	
15		NM6050001SE		NUT M5				*		1	
16		SM9061080SE		SCREW M6 L=10				*		1	
17		SM9050813SE		SCREW M5X0.8 L=8				*		1	
18		WP0520656SA		WASHER 5.2X9.5X0.6				*		1	
19		WS0510002KN		SPRING WASHER				*		1	
20		WS0521010KN		SPRING WASHER 5.2X8.2X1				*		1	
21		MAO11532000		CORD STAPLE				*		3	

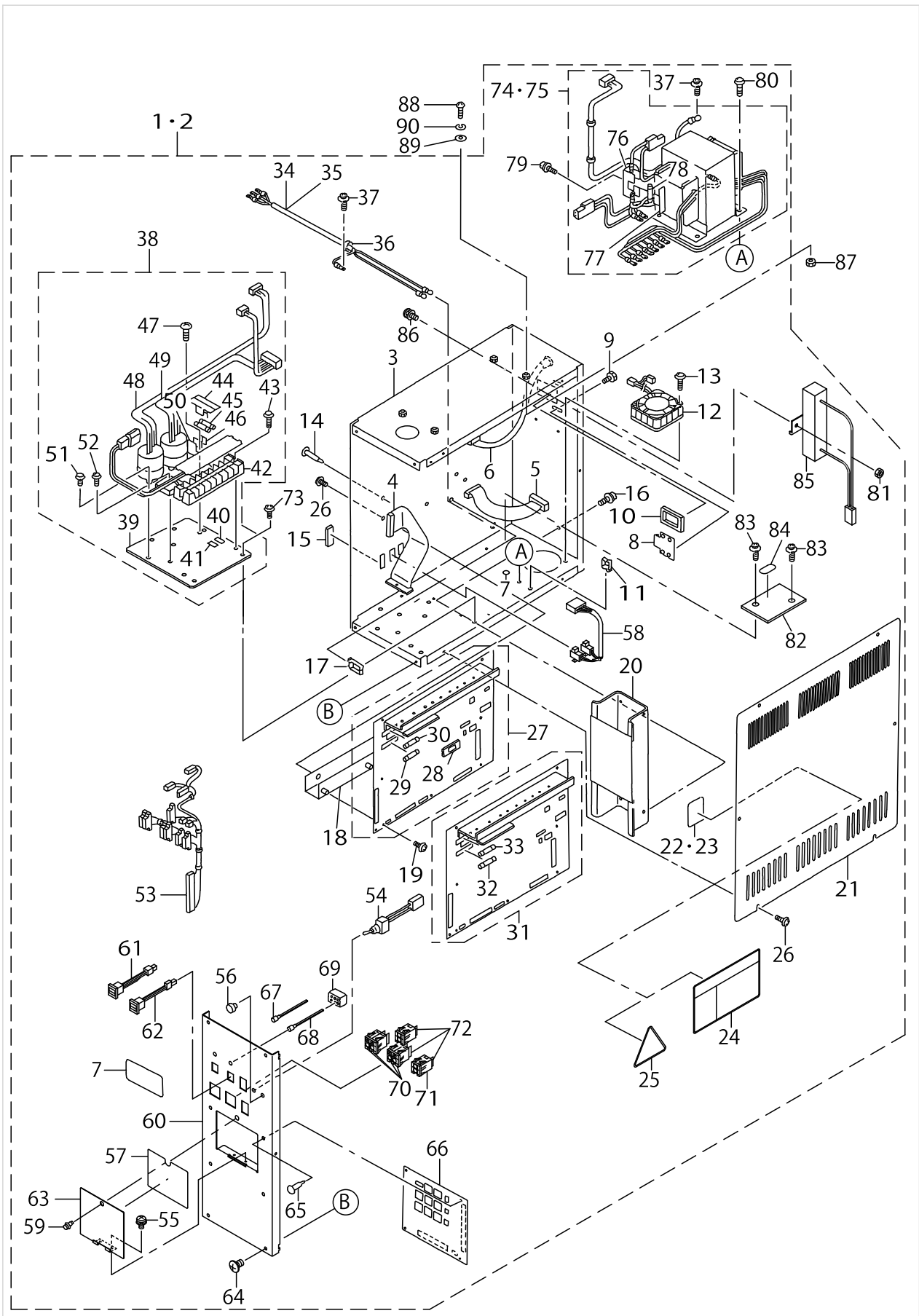
MOTOR PULLEY COMPONENTS



MOTOR PULLEY COMPONENTS

No.	Supply Code	Parts No.	Replacement	Parts name	Remarks	Choice	Step	Level	Cons	Qty	Rep. QTY
1		MTJVM003500		V-BELT, 35 INCH						1	
2		MTSP0055000A		MOTOR PULLEY						1	
3		WS1002560KR		SPRING WASHER 10X18X2.5						1	

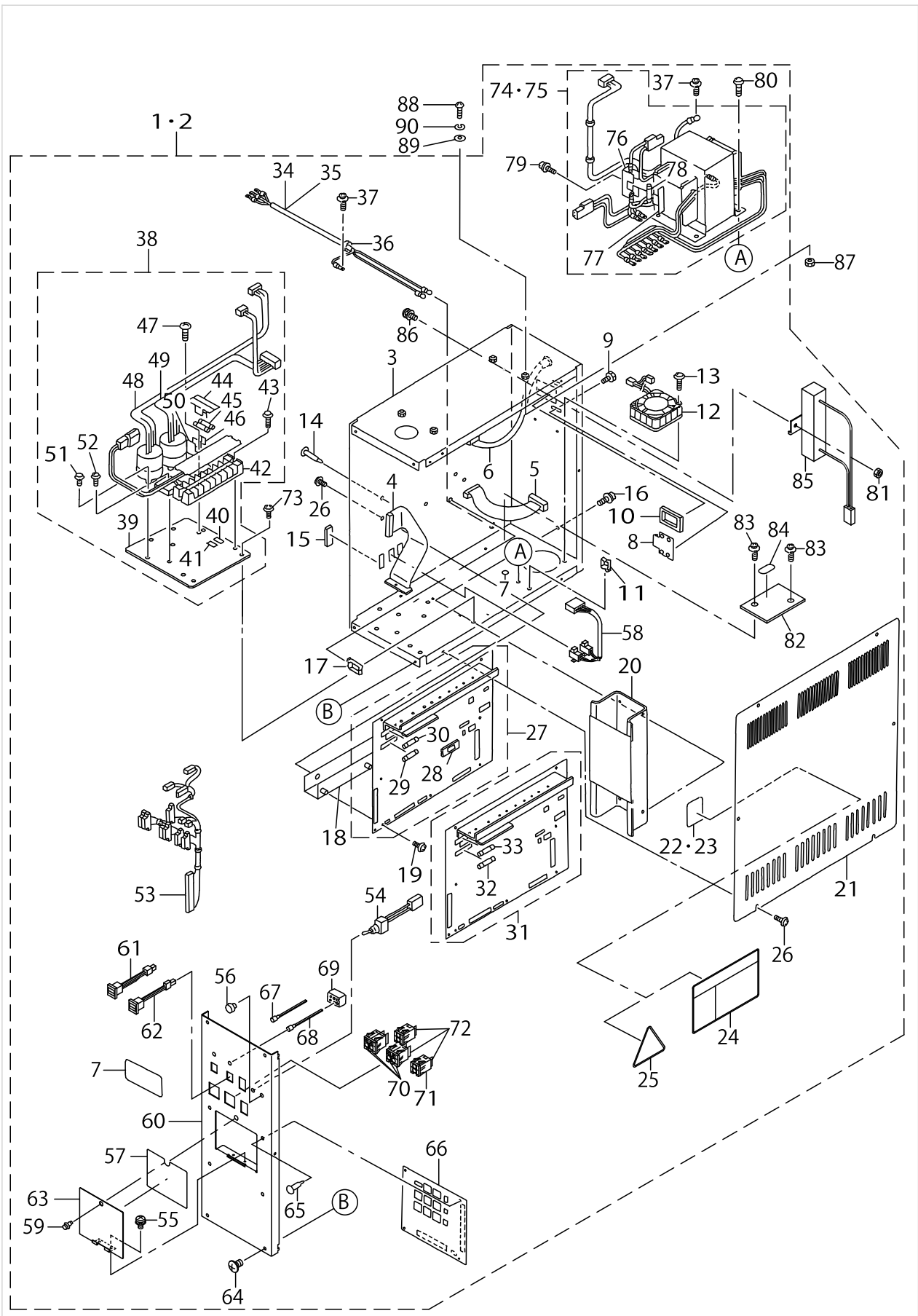
CONTROL BOX COMPONENTS



CONTROL BOX COMPONENTS

No.	Supply Code	Parts No.	Replacement	Parts name	Remarks	Choice	Step	Level	Cons	Qty	Rep. QTY
1		25346750		CONTROLBOXAASM.	FOR 100,1-10,120,200,220,240V					1	
2		25347253		CONTROLBOXBASM.	FOR 220,2-40,380,415,440V					1	
3		G1001192000		CONTROL BOX FRAME BODY				*		1	
4		17840455		PANEL SIGNALING CORD ASM.				*		1	
5	D	M85215110A0		PMDC CORD ASM.				*		1	
6	D	M85235110A0		SYNCHRONIZER CORD ASM.				*		1	
7		17978206		SEAL				*		1	
8		17845009		CORDFITTINGPLATE				*		1	
9		SM9040803SF		SCREW M4X8				*		2	
10		HX004070000		BUSH				*		1	
11	D	HX00222000A		CABLE CLAMP				*		3	
12		17977752		BOX FAN ASM.				*		1	
13		SL4043291SC		SCREW M4X0.7 L=32				*		2	
14	D	HX00408000A		BOARD PARTS				*		4	
15	D	M3011110000		PLUG				*		1	
16		SL4030891SC		SCREW M3X8				*		4	
17		HX00222000B		CABLE CLAMP				*		2	
18		M1002519000		CPU BOARD BRACKET				*		1	
19		SL4030691SC		SCREW M3X6				*		3	
20	D	M86025110A0		P.C BOARD ASM.				*		1	
21		G10031920A0		CONTROL BOX COVER ASM.				*		1	
22		M300551100A		SEAL A	FOR 100,1-10,120,200,220,240V			*		1	
23	D	M300551100B		SEAL B	FOR 220,2-40,380,415,440V			*		1	
24		CM300100101		DANGER LABEL (SMALL)	FOR DOME-SITC USE			*		1	
25		CM300100001		LABEL	FOR EXPORT			*		1	
26		SL4041091SC		SCREW M4 L=10				*		8	
27	D	25346958		CPU CIRCUIT BOARD COMPL.				*		1	
28		HL010520180		IC				*		1	
29		E9613601000		FUSE 2A				*		1	
30		E9672452000		FUSE 3A				*		1	
31	D	25015371		CPU CIRCUIT BOARD ASM.				*		1	
32		E9613601000		FUSE 2A				*		1	
33		E9672452000		FUSE 3A				*		1	
34		17844754		AC POWER SOURCE CORD ASM.				*		1	
35		25019050		AC POWER SOURCE CORD ASM.	FOR JE			*		1	
36		HX004100000		BUSH				*		1	
37		SL4040691SC		SCREW M4 L=6				*		2	
38	D	M85195110A0		POWER PLATE ASM.				*		1	
39		M1020511000		POWER PLATE				*		1	
40	D	M952017100A		FUSE SEAL F1				*		1	
41	D	M952017100B		FUSE SEAL F2				*		1	
42		HK026650080		TERMINAL BASE 8P				*		1	
43		SL4041081SC		SCREW M4 L=10				*		2	
44		HF00511000B		FUSEHOLDERCOVER				*		2	

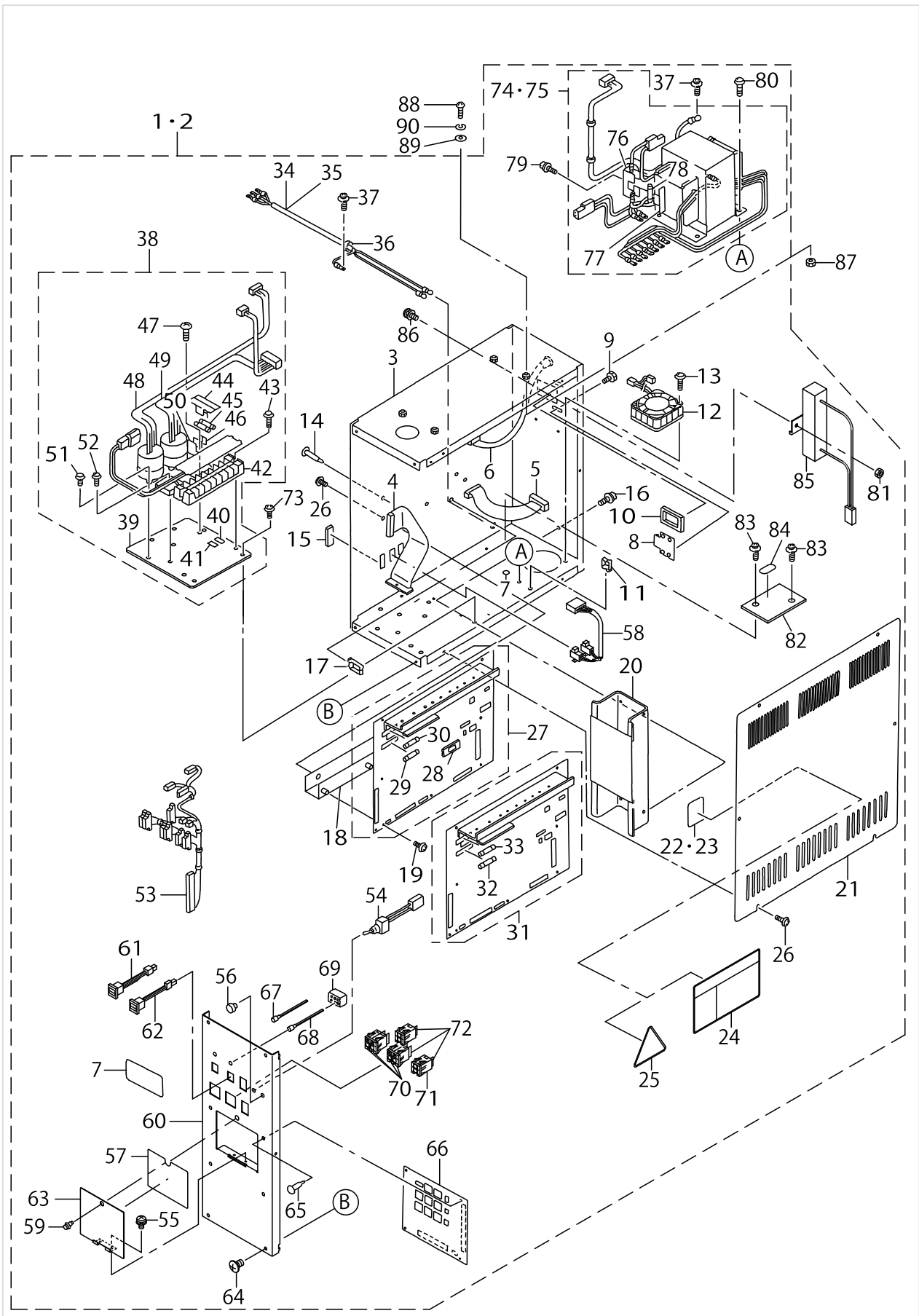
CONTROL BOX COMPONENTS



CONTROL BOX COMPONENTS

No.	Supply Code	Parts No.	Replacement	Parts name	Remarks	Choice	Step	Level	Cons	Qty	Rep. QTY
45		HF001400700		TIME LAG FUSE 7A				*		2	
46		HF005111000		FUSE HOLDER				*		1	
47		SL4031281SC		SCREW M3 L=12				*		2	
48		M85255110A0		SOLENOID POWER SOURCE ASM.				*		1	
49		M85265110A0		PMDC POWER SOURCE ASM.				*		1	
50		HF00511100A		FUSE HOLDER				*		1	
51		SL4030891SC		SCREW M3X8				*		4	
52		SL4041691SC		SCREW M4 L=16				*		2	
53	D	17977851		SWITCH CONNECTOR ASM.				*		1	
54	D	17978057		SWITCH ASM.				*		1	
55		SL4030691SC		SCREW M3X6				*		2	
56		TA0750404R0		PLUG D=7.5 L=3.5				*		1	
57		17978107		FUNCTION EXPLANATORY SEAL				*		1	
58	D	25015553		CODE ASM.				*		1	
59		M8808301000		NYLATCH				*		1	
60		25346800		CONTROL BOX PANEL				*		1	
61		17977950		SWITCH A ASM.				*		1	
62	D	17841453		SWITCH ASM. B				*		1	
63		17845108		PANEL COVER				*		1	
64		SM0040601SC		SCREW M4X0.7 L=6				*		7	
65		HX00269000D		SPACER				*		4	
66	D	17840158		OPERATION CIRCUIT BOARD ASM.				*		1	
67	D	17841156		LED (GREEN) ASM.				*		1	
68	D	17841255		LED (ORANGE) ASM.				*		1	
69		HK034610060		HOUSING 6P				*		1	
70		HA00001000C		SWITCH				*		4	
71		HA00001000B		SWITCH				*		2	
72		HA000010010		END PLATE				*		4	
73		SL4041091SC		SCREW M4 L=10				*		3	
74		17840752		TRANSFORMER ASM. A	FOR 100,1-10,120,200,220,240V			*		1	
75	D	17840851		TRANSFORMER ASM. B	FOR 220,2-40,380,415,440V			*		1	
76		HF005111000		FUSE HOLDER				*		1	
77		HF00511000B		FUSEHOLDERCOVER				*		1	
78		E9613601000		FUSE 2A				*		1	
79		SL4041491SC		SCREW 4 X 14				*		1	
80		SL4051091SC		SCREW M5X0.8 L=10				*		4	
81		NM6030001SC		NUT M3				*		1	
82		M1004519000		GROUND PLATE B	FOR JE			*		1	
83		SL4041081SC		SCREW M4 L=10	FOR JE			*		2	
84		CM200100001		PE MARK LABEL	FOR JE			*		1	
85	D	M85064350A0		RADIATION RESISTANCE ASM.				*		1	
86		SL4030891SC		SCREW M3X8				*		1	
87		NM6060001SC		NUT M6				*		4	
88		SM3065052TC		SCREW				*		4	
89		WP0651001SC		WASHER				*		4	

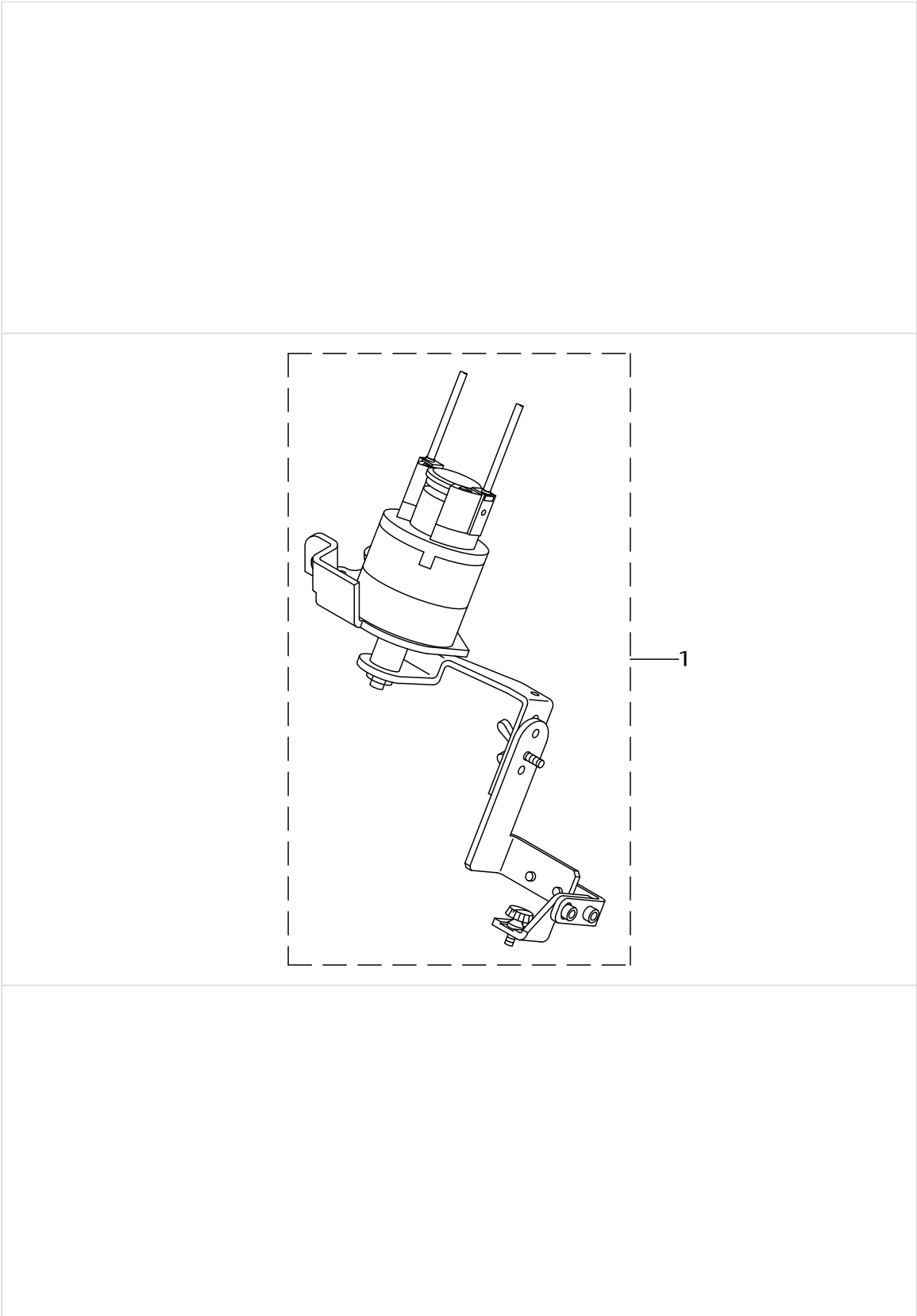
CONTROL BOX COMPONENTS



CONTROL BOX COMPONENTS

No.	Supply Code	Parts No.	Replacement	Parts name	Remarks	Choice	Step	Level	Cons	Qty	Rep. QTY
90		WS0610002KN		SPRING WASHER 6.1X12.2X1.5						4	

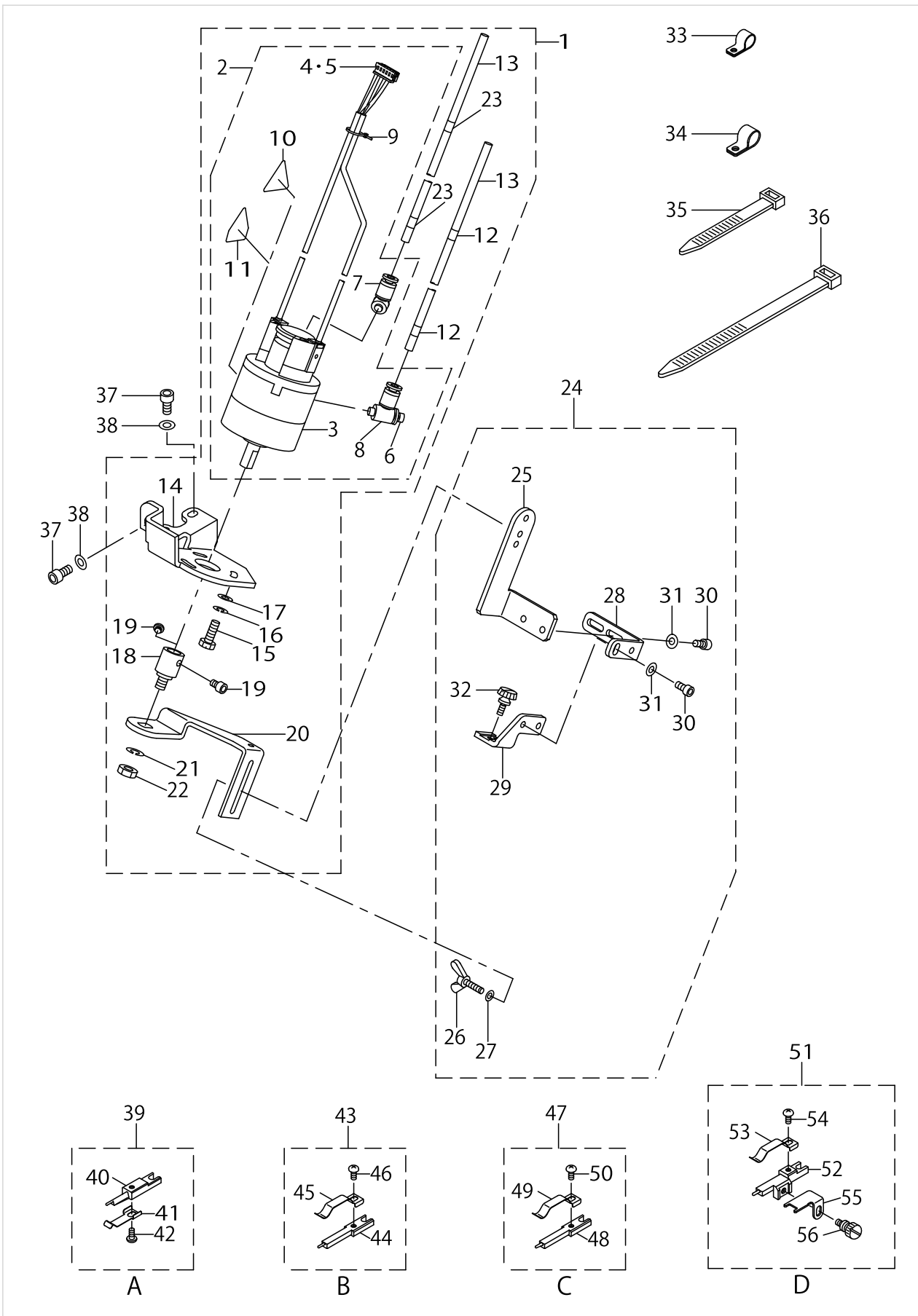
OPTION COMPONENTS



OPTION COMPONENTS

No.	Supply Code	Parts No.	Replacement	Parts name	Remarks	Choice	Step	Level	Cons	Qty	Rep. QTY
1		25346651		LOADER ASM.						1	

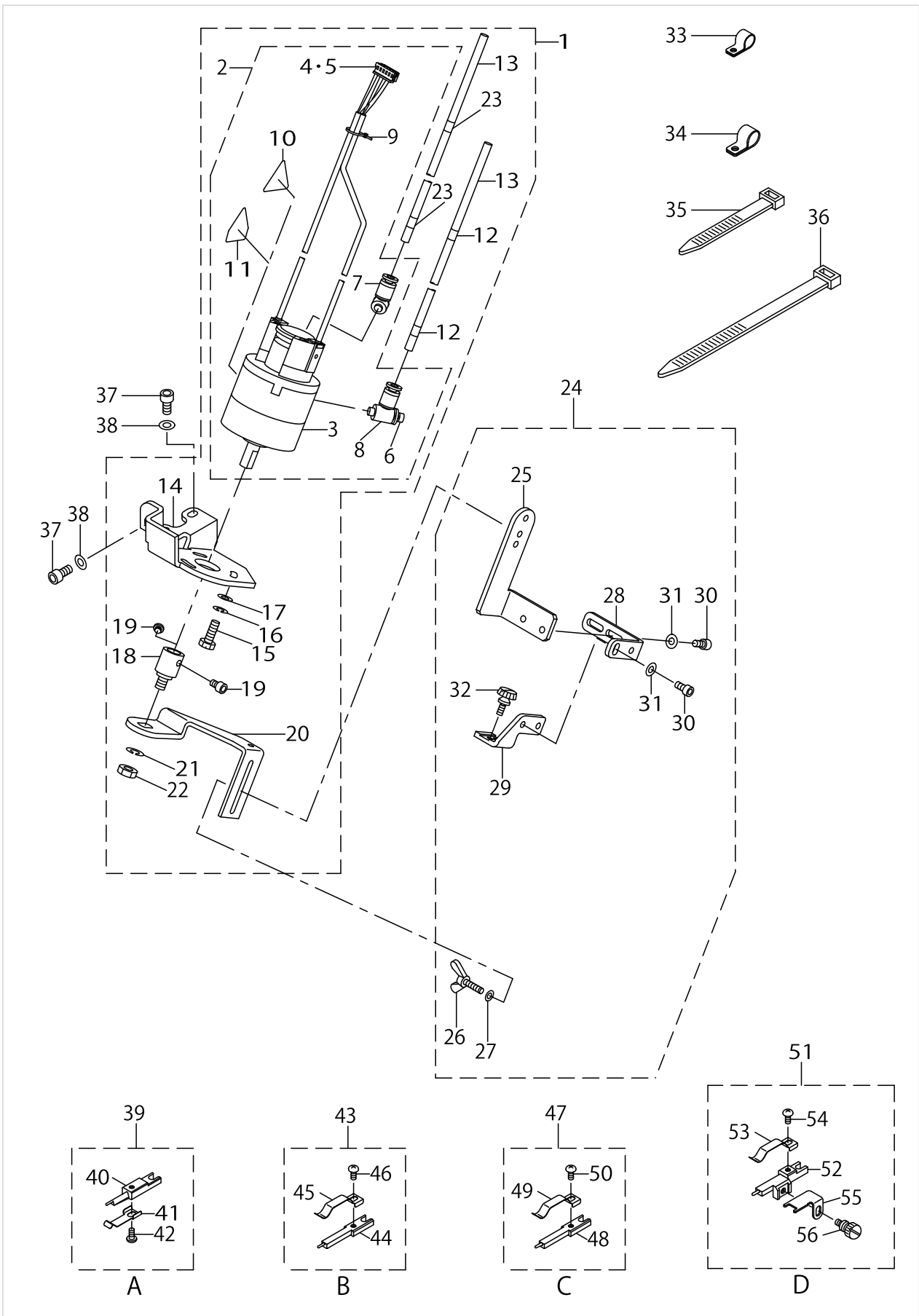
BUTTON LODER COMPONENTS (1)



BUTTON LODER COMPONENTS (1)

No.	Supply Code	Parts No.	Replacement	Parts name	Remarks	Choice	Step	Level	Cons	Qty	Rep. QTY
1	D	25014051		LOADER UNIT (A)						1	
2	D	25014655		ROTARY ACTUATOR ASM.				*		1	
3	D	PA8000140B0		ROTARY ACTUATOR				*		1	
4		HK028910060		HOUSING 6P				*		1	
5		HK029040000		PIN TERMINAL				*		6	
6		PC010508000		SPEED CONTROLLER				*		2	
7		18038208		WIRE MARK (33)				*		1	
8		18038505		WIRE MARK (36)				*		1	
9		EA9500B0100		CABLE BAND				*		1	
10		CM300200003		ATTENTION LABEL	FOR EXPORT			*		1	
11	D	CM3002000B3		LABEL.,(31.5)	FOR DOME- STIC USE			*		1	
12		18038505		WIRE MARK (36)				*		2	
13		BT0400251EB		URETHANE HOSE, BLACK				*		3.4	
14		25014002		LOADER CYLINDER FITTING PLATE				*		1	
15		SM9051450SC		SCREW M5X0.8 L=14				*		3	
16		WP0531000SC		WASHER 5.3X10X1				*		3	
17		WS0510002KN		SPRING WASHER				*		3	
18		17973108		LOADER LINK SHAFT				*		1	
19		SM6040602TP		SCREW M4 L=6				*		2	
20		25014101		LOADER LINK A				*		1	
21		NM6060001SC		NUT M6				*		1	
22		WS0610002KN		SPRING WASHER 6.1X12.2X1.5				*		1	
23		18038208		WIRE MARK (33)				*		2	
24		25346552		HALF UNION ASM.				*		1	
25		25346404		LOADER LINK B				*		1	
26		17974809		THUMBSCREW				*		1	
27		WP0501046SC		WASHER 5 X 13 X 1				*		1	
28		17851106		LOADER LINK E				*		1	
29	D	25014200		LOADER LINK F				*		1	
30		SM6040802TR		SCREW M4X0.7 L=8				*		4	
31		WP0430801SC		WASHER 4.3X9X0.8				*		4	
32		B2549372000		CLAMP SCREW A				*		1	
33		HX00150000G		CABLE CLIP				*		1	
34		HX00150000K		CABLE CLIP				*		1	
35		EA9500B0100		CABLE BAND				*		10	
36		HX00065000B		CABLE BAND				*		3	
37		SM6051002TR		SCREW M5 L=10				*		3	
38		WP0531000SC		WASHER 5.3X10X1				*		3	
39		17974056		BUTTON SET PIN A ASM.	FOR MARB- LE BUTTON			*		1	
40	R	17974007	17974056	BUTTON SET PIN A				*		1	1.00
41		17974106		SET SPRING A				*		1	
42		SM4030401SC		SCREW M3X0.5 L=4				*		1	
43		17974254		BUTTON SET PIN B ASM.	FOR SHANK BUTTON(φ 1.2)			*		1	
44		17974205		BUTTON SET PIN B				*		1	
45		17974304		SET SPRING B				*		1	

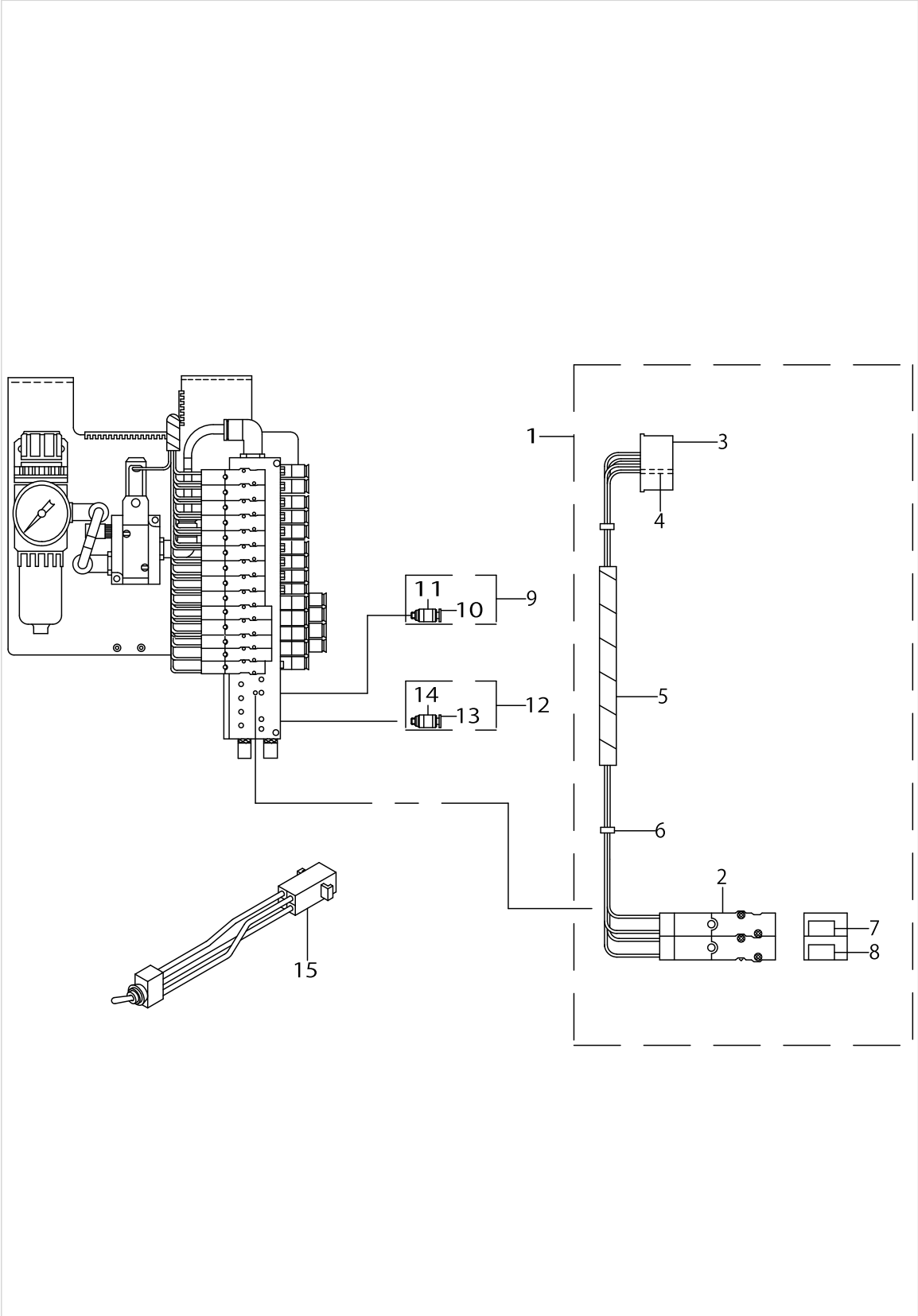
BUTTON LODER COMPONENTS (1)



BUTTON LODER COMPONENTS (1)

No.	Supply Code	Parts No.	Replacement	Parts name	Remarks	Choice	Step	Level	Cons	Qty	Rep. QTY
46		SM4030401SC		SCREW M3X0.5 L=4				*		1	
47		17974452		BUTTON SET PIN C ASM.	FOR SHANK BUTTON(ϕ 1.8)					1	
48	R	17974403	17974452	BUTTON SET PIN C				*		1	1.00
49		17974304		SET SPRING B				*		1	
50		SM4030401SC		SCREW M3X0.5 L=4				*		1	
51		17974551		BUTTON SET PIN D ASM.	FOR METAL BUTTON					1	
52		17974502		BUTTON SET PIN D				*		1	
53		17974304		SET SPRING B				*		1	
54		SM4030401SC		SCREW M3X0.5 L=4				*		1	
55		17974601		BUTTON RECEIVER				*		1	
56		B3106019000		SCREW				*		1	

BUTTON LODER COMPONENTS (2)



BUTTON LODER COMPONENTS (2)

No.	Supply Code	Parts No.	Replacement	Parts name	Remarks	Choice	Step	Level	Cons	Qty	Rep. QTY
1		25346651		SOLENOID VALVE ASM.						1	
2	D	PV130517000		SOLENOID VALVE				*		2	
3		HK028910080		HOUSING 8P				*		1	
4		HK029040000		PIN TERMINAL				*		8	
5		HX001890000		SPIRAL TUBE				*		0.3	
6		EA9500B0100		CABLE BAND				*		2	
7		18036400		WIRE MARK (15)				*		1	
8		18036509		WIRE MARK (16)				*		1	
9	D	17853052		HALF UNION D ASM.						1	
10		PJ301040505		HALF UNION				*		1	
11		18038208		WIRE MARK (33)				*		1	
12		25346552		HALF UNION ASM.						1	
13		PJ301040505		HALF UNION				*		1	
14		18038505		WIRE MARK (36)				*		1	
15	D	17973751		LOADER SWITCH ASM.						1	

HOW TO MAKE USE OF THIS PARTS LIST

1.As to "#01" and "#02" refer to the "Note" given at the bottom of the respective pages.

2.Codes on the "Qty" column

- Each numeral indicates the number of parts required.
- "0.1" and "2.5" indicate the length (in meters) of the respective parts.

3.Parentheses mean that the corresponding part is a subpart that constructs an assembly part.

4.Dotted lines on the Figures indicate assembly parts.

1. リストページの# 0 1、# 0 2の印は、ページ下の"注記"の説明を参照下さい。
2. 数量欄の数字は、個数を表し、0. 1、2. 5等の数値は、長さ（単位メートル）を表します。
3. 数量欄の（ ）は、組部品を構成している子部品であることを意味します。
4. イラストページの-----枠は、組構成であることを意味します。

NUMERICAL INDEX OF PARTS

PART NO	PAGE	REF NO.	PART NO	PAGE	REF NO.	PART NO	PAGE	REF NO.
10004109	24	51	17806605	16	8	17818600	34	32
11047305	24	50	17806902	16	19	17821018	30	66
11102308	50	26	17806951	16	16	17821018	32	66
11155108	44	45	17807702	12	75	17821208	30	65
11155207	44	46	17807801	12	76	17821208	32	65
11157658	44	3	17807900	6	15	17821802	30	71
11157757	44	2	17808056	12	65	17821802	32	71
11158300	44	5	17808106	12	53	17822800	38	5
11158409	44	11	17808205	12	66	17822909	38	12
11158508	44	19	17808304	12	67	17823006	38	13
11158607	44	6	17808452	10	18	17823105	38	15
11159001	50	37	17808551	12	80	17823550	38	47
11185105	60	2	17808908	12	82	17823550	40	47
11185501	60	9	17809005	12	83	17823709	38	4
11280856	44	33	17809104	12	84	17824004	38	18
11503505	42	18	17809203	12	52	17824103	38	9
11528809	52	46	17810052	10	37	17824202	38	17
13943204	4	66	17810912	2	32	17824400	38	19
16115354	46	70	17811068	2	15	17824608	38	23
16258402	46	69	17811803	4	62	17825514	28	57
16450702	52	13	17811902	4	68	17825514	34	46
16658700	8	70	17812207	2	41	17826504	42	26
17007402	44	12	17812405	4	59	17826603	42	2
17800707	10	31	17812603	22	1	17830100	34	16
17801309	2	3	17812702	22	8	17830209	34	13
17801408	2	34	17812801	18	26	17830415	34	21
17801804	2	5	17812801	22	13	17832858	44	1
17802216	2	24	17812900	22	5	17832957	44	8
17802307	2	21	17813007	22	28	17833054	44	7
17802505	4	74	17813056	22	27	17833104	44	14
17802505	12	86	17813106	22	19	17833203	44	35
17802604	12	87	17813304	22	42	17833302	44	15
17803057	2	14	17813403	22	4	17833401	44	16
17803107	16	5	17813817	18	43	17833500	44	17
17803206	16	6	17814054	18	1	17833658	44	10
17803909	8	58	17814104	18	3	17833807	46	68
17804006	8	47	17814203	20	58	17833955	46	67
17804204	8	52	17814500	20	54	17835000	44	28
17804253	8	51	17816307	26	7	17835109	44	29
17804303	14	5	17816406	26	23	17835307	44	30
17804402	14	6	17816505	26	19	17836206	52	2
17805300	8	49	17816604	26	2	17836305	52	16
17805359	8	48	17816711	26	29	17836404	46	65
17805607	6	16	17816919	26	13	17839507	56	2
17806506	16	9	17817206	42	17	17840158	66	66

NUMERICAL INDEX OF PARTS

PART NO	PAGE	REF NO.	PART NO	PAGE	REF NO.	PART NO	PAGE	REF NO.
17840455	64	4	17970906	34	2	25001751	16	21
17840653	20	56	17971003	34	3	25001900	16	10
17840752	66	74·75	17971805	44	23	25002007	16	2
17840851	66	74·75	17972357	56	16	25002502	6	41
17841156	66	67	17973108	72	18	25002601	8	68
17841255	66	68	17973751	76	15	25002809	2	27
17841453	66	62	17974007	72	40	25002908	2	28
17841958	52	8	17974056	72	39	25002957	2	23
17842055	52	20	17974106	72	41	25003062	6	6
17842352	36	48	17974205	72	44	25003104	8	69
17844754	64	34	17974254	72	43	25003203	2	44
17845009	64	8	17974304	72	53	25003302	42	1
17845108	66	63	17974304	74	53	25003401	42	3
17848458	52	29	17974403	74	48	25003500	2	1
17848508	52	30	17974452	74	47	25003609	6	1
17851106	72	28	17974502	74	52	25003757	4	61
17853052	76	9	17974551	74	51	25004003	22	32
17961202	6	43	17974601	74	55	25004110	26	1
17961400	6	2	17974809	72	26	25004201	26	11
17961707	10	44	17977752	64	12	25004300	26	12
17961905	2	36	17977851	66	53	25004508	26	30
17962101	4	51	17977950	66	61	25004607	26	33
17962200	4	49	17978057	66	54	25004706	26	36
17962358	2	16	17978107	66	57	25004805	26	42
17962408	2	30	17978206	64	7	25005000	26	43
17962507	6	5	17978453	52	34	25005505	28	49
17962804	6	12	18036004	38	40	25005604	28	60
17962903	6	9	18036400	76	7	25005703	28	53
17963018	6	14	18036509	76	8	25005752	28	52
17963703	20	51	18038208	72	23	25005802	28	54
17964909	34	29	18038208	76	11	25005901	28	59
17966300	38	1	18038505	72	12	25006008	42	19
17966409	38	46	18038505	76	14	25006701	38	32
17966458	38	45	25000308	2	12	25006750	38	31
17966607	38	28	25000456	2	11	25006800	38	33
17966656	38	27	25000605	6	31	25006909	38	34
17966714	4	47	25000704	6	29	25007006	38	35
17967209	42	11	25000803	6	38	25007105	38	36
17967308	42	9	25000902	6	33	25007501	34	30
17968009	42	25	25001009	6	28	25007626	34	31
17969304	30	4	25001108	6	27	25007709	34	33
17969403	30	5	25001355	6	35	25007808	34	34
17970609	30	64	25001405	8	54	25007907	34	37
17970609	32	64	25001603	22	11	25008004	34	39
17970807	34	1	25001702	16	22	25008103	34	42

NUMERICAL INDEX OF PARTS

PART NO	PAGE	REF NO.	PART NO	PAGE	REF NO.	PART NO	PAGE	REF NO.
25008152	34	41	25018755	18	46	B152652700G	28	58
25008202	34	43	25018854	22	37	B152652700G	36	47
25008319	34	27	25018953	46	61	B2004372000	12	50
25008426	36	57	25019050	64	35	B2006372000	12	56
25008608	34	20	25343005	44	21	B2007372000	12	61
25010000	30	2	25346107	44	34	B2008372000	12	60
25010059	30	1	25346404	72	25	B2011372000	12	49
25010158	30	3	25346552	72	24	B2012372000	10	46
25010208	30	6	25346552	76	12	B2014372000A	10	43
25010307	30	7	25346651	70	1	B2015372000	10	41
25010604	30	59	25346651	76	1	B20153720A0	10	32
25010604	32	59	25346750	64	1·2	B2016372000	10	40
25010703	30	60	25346800	66	60	B2017372000	10	34
25010703	32	60	25346958	64	27	B2019372000	10	28
25010802	30	27	25347253	64	1·2	B20193720AA	10	22
25010851	30	25	B1104372A00	4	58	B2020372000	10	29
25010950	30	28	B1110372000	4	56	B2021372000	10	25
25011008	30	29	B1111372000	4	54	B2024372000A	10	21
25011107	30	30	B1119373000	2	39	B2026372000	10	19
25011206	30	31	B1120372000	4	52	B2028372000	10	14
25011305	30	32	B1120372000	52	4	B2029372000	10	13
25011404	32	52	B1131521000	2	25	B20313720A0	10	8
25011453	32	49	B1136850000	2	26	B2034372000	10	9
25011552	32	53	B1215372A00	8	65	B2035372000	10	7
25011602	32	54	B1215372B00	14	4	B2036372000	10	11
25011701	32	55	B1216372000	14	2	B2037372000	10	10
25011800	32	56	B1217372000	14	11	B2038372000	10	1
25011909	32	57	B12173720A0	14	10	B2040373000	10	16
25012006	30	61	B1222372000	8	66	B2314019000	10	38
25012006	32	61	B1223372000	14	3	B2501205000	18	15
25012303	34	5	B1224372000	8	63	B2502210000	18	10
25012402	34	12	B12243720A0	8	62	B2503210000	18	11
25012600	52	17	B1227372000A	8	56	B2504210000	18	32
25013202	52	42	B1232372000	6	36	B2505210000	18	37
25013251	52	36	B1239372000	6	45	B2507210000	18	16
25014002	72	14	B1402372000	16	4	B2509210000	18	20
25014051	72	1	B1407372000	16	14	B2510205000	26	8
25014101	72	20	B1408372000	16	15	B2512205000	18	18
25014200	72	29	B1410372000	16	17	B2513210000	18	22
25014655	72	2	B1411372A00	16	13	B2513210000	22	15
25014903	46	58	B1412372000	16	18	B2514210000	18	29
25015371	64	31	B14163720A0	16	25	B2515210000	18	35
25015553	66	58	B1418372000	16	26	B2516205000A	18	25
25018706	20	47	B1419372000	16	29	B2516205000A	22	17
25018706	22	38	B1421372000	10	2	B2519205000	18	5

NUMERICAL INDEX OF PARTS

PART NO	PAGE	REF NO.	PART NO	PAGE	REF NO.	PART NO	PAGE	REF NO.
B2519210000	18	6	CS1000811SP	38	7	GPK2600700A	50	6
B2520205000	18	7	CS1111019SH	8	59	GPK2600800A	50	5
B2521210000A	18	14	CS127101ASH	14	8	GPK26009000	50	7
B2522205000	18	8	D3129555D00	10	39	GPK26010000	50	11
B2522210000	18	19	D3302772T00	60	10	GPK26011000	50	8
B2525205000	22	6	D6042555B00	52	24	GPK26022000	50	32
B2526210000	22	21	D6043555B00	52	23	GPK26026000	50	29
B2536210000	22	20	D8204555D00	46	49	GPK26028000	50	31·33·34
B2549372000	72	32	D8621761C0B	20	49	GPK620010A0	50	2
B2574220000	2	45	E1022760000	28	65	GPK620010B0	46	56
B2576220000	2	46	E8760452B00	36	49	GPK620010B0	50	1
B3106019000	74	56	E8760452H00	36	52	GPK62002000	50	21
B3115372000	4	70	E8760452M00	20	50	GPK620030B0	50	22
B3120125000	10	85	E8760452M00	22	41	HA00001000B	66	71
B3120125000	12	85	E9561351000	46	62	HA00001000C	66	70
B3125012000	10	23	E9613601000	64	78	HA000010010	66	72
B3127372000	2	18	E9613601000	66	78	HA002470000	52	39
B3132012000	10	26	E9672452000	64	33	HA00247001A	52	40
B3149123A00	2	19	EA9500B0100	12	74	HA00247001B	52	41
B33011800AA	60	1	EA9500B0100	24	49	HA002890000	36	54
B3303180000	60	3	EA9500B0100	28	64	HE000150000	52	9
B3305704000A	60	5	EA9500B0100	36	56	HF001400700	66	45
B3307704000	60	4	EA9500B0100	38	44	HF00511000B	64	77
B3311012000	60	8	EA9500B0100	46	89	HF00511000B	66	77
B3311704000	60	6	EA9500B0100	52	45	HF005111000	66	76
B3317704000	60	11	EA9500B0100	72	35	HF00511100A	66	50
B3320704L00A	60	7	EA9500B0100	76	6	HK003940010	20	48
B4008205000	22	29	EA9500B0200	6	13	HK003940010	22	39
B821021000B	46	91	EA9500B0200	44	44	HK018620060	22	40
B821121000B	46	92	EA9500B0200	56	40	HK024910050	36	51
BT0400251EB	38	39	EA9564B0100	46	63	HK026650080	64	42
BT0400251EB	56	39	EA9564B0300	46	64	HK028910060	72	4·5
BT0400251EB	72	13	F1021003000	56	1	HK028910080	76	3
BT0600401EB	56	31	G1001192000	64	3	HK029040000	72	4·5
CM200100001	66	84	G10031920A0	64	21	HK029040000	76	4
CM300100001	64	25	GAK320010A0	46	78	HK032040000	36	50
CM300100101	64	24	GAK320010B0	46	77	HK034610060	66	69
CM300200003	72	10	GBR01227000	34	36	HL010520180	64	28
CM3002000B3	72	11	GBR01333000	26	46	HM000550000	52	21
CM300200101	4	72	GBR01357000	26	45	HW000660050	36	55
CM3002001A1	4	73	GHP03537000	50	18~20	HX000130000	44	40
CM300500001	54	47	GPK14013000	50	15	HX00065000B	44	43
CM500100001	46	90	GPK1800600AA	50	35	HX00065000B	72	36
CQ200000000	16	23	GPK1800700AA	50	36	HX00088000A	28	66
CS0790741TH	8	46	GPK260030AA	50	3	HX00088000A	36	53

NUMERICAL INDEX OF PARTS

PART NO	PAGE	REF NO.	PART NO	PAGE	REF NO.	PART NO	PAGE	REF NO.
HX00150000A	22	48	MAT80231T00	46	80	PA0601505A0	56	26
HX00150000A	24	48	MAT80232T00	46	81	PA1003012A0	12	78
HX00150000A	38	10	MAT81126T00	46	87	PA1003012A0	56	37
HX00150000A	46	53	MCSM3320900	16	1	PA1005501A0	42	15
HX00150000D	2	9	MTJMS000030	44	24	PA1005501A0	56	36
HX00150000D	26	27	MTJVM003500	62	1	PA1008003A0	42	4
HX00150000F	2	33	MTSP0055000A	62	2	PA1008003A0	56	45
HX00150000G	72	33	NM6030001SC	66	81	PA1501009A0	12	70
HX00150000K	72	34	NM6040001SC	52	27	PA1501009A0	56	41
HX00150000R	46	51	NM6040003SC	50	31·33·34	PA1503007A0	38	22
HX001890000	52	44	NM6050001SC	38	24	PA1503007A0	56	23
HX001890000	76	5	NM6050001SE	60	15	PA1504001A0	6	17
HX00222000A	64	11	NM6050003SC	18	38	PA1504001A0	56	43
HX00222000B	64	17	NM6050003SC	22	25	PA1603101A0	34	23
HX002230000	52	18	NM6060001SC	6	20	PA1603101A0	56	33
HX00223000A	56	13	NM6060001SC	44	39	PA8000140B0	72	3
HX002350000	52	25	NM6060001SC	66	87	PC010507000	34	25
HX00269000D	66	65	NM6060001SC	72	21	PC010507000	38	25
HX004070000	64	10	NM6080002SE	50	27·28	PC010507000	42	16
HX00408000A	64	14	NM6080721SE	46	74	PC010507000	56	27
HX004100000	64	36	NM6080721SE	50	16·17·38-39	PC010508000	72	6
M1002519000	64	18	NM6120003SE	44	13	PC012401000	58	47
M1004519000	66	82	NS6080210SP	10	6	PF025204000	56	3
M1020511000	64	39	NS6080340SP	12	63	PF065102000	56	5
M300551100A	64	22·23	NS6090310SP	26	44	PF905003000	56	4
M300551100B	64	22·23	NS6110310SP	4	71	PJ010505001	56	21
M3011110000	64	15	NS6110310SP	18	13	PJ020500002	56	19
M85064350A0	66	85	NS6110310SP	26	38	PJ042050002	12	79
M8512120BAA	52	1	NS6110420SP	30	70	PJ042050002	56	38
M85195110A0	64	38	NS6110420SP	32	70	PJ042520002	56	7
M85215110A0	64	5	NS6150310SP	22	7	PJ301040505	56	20
M85225110A0	52	35	NS6150310SP	34	19	PJ301040505	76	13
M85235110A0	64	6	NS6150430SP	52	5	PJ304040001	26	26
M85255110A0	66	48	NS6150440SP	16	12	PJ304040001	38	43
M85265110A0	66	49	NS6160520SP	10	30	PJ304040001	56	29
M85305110A0	52	33	NS6200710SN	44	25	PJ304040504	12	72
M86025110A0	64	20	NS6660430SP	10	20	PJ304040504	34	11
M8808301000	66	59	NS6680410SP	16	20	PJ304040504	42	5
M952017100A	64	40	NS6680480SP	16	24	PJ304040504	56	22
M952017100B	64	41	PA0401001A0	38	38	PJ304040507	6	25
MAI15040000	46	86	PA0401001A0	56	30	PJ304040507	56	44
MAI15040000	52	22	PA0502401A0	42	23	PJ304065101	56	9
MAO11532000	46	50	PA0502401A0	56	28	PJ304065201	56	8
MAO11532000	60	21	PA0601505A0	34	9	PJ308040002	56	46
MAT80230T00	46	79				PJ309040501	6	26

NUMERICAL INDEX OF PARTS

PART NO	PAGE	REF NO.	PART NO	PAGE	REF NO.	PART NO	PAGE	REF NO.
PJ309040501	56	32	SD0800291TP	30	67	SM0040601SC	66	64
PS0200062KH	4	69	SD0800291TP	32	67	SM1850951SD	30	58
PS0200082KH	28	55	SK3311600SC	46	59	SM1850951SD	32	58
PS0200082KH	38	21	SK3412000SC	52	31	SM3065052TC	66	88
PS0200122K0	34	44	SK3452500SC	44	66	SM4030401SC	72	54
PS0300162KH	10	42	SK3452500SC	46	66	SM4030401SC	74	54
PV030514000	56	17	SK3513200SC	44	22	SM4040801SN	20	59
PV130517000	56	14	SK3514000SC	46	88	SM4041201SC	50	31·33·34
PV130517000	76	2	SK3552500SC	48	94	SM4041401SC	34	14
PV135113000	56	10	SL4030691SC	50	23	SM4043601SN	52	26
PV150517000	56	15	SL4030691SC	64	55	SM4051405SE	60	13
PX055103000	56	12	SL4030691SC	66	55	SM4051601SC	18	39
PX060003000	52	37	SL4030891SC	20	55	SM4051601SC	28	61
PX060003000	56	24	SL4030891SC	22	44	SM4052501SC	22	24
PX060010000	52	38	SL4030891SC	64	86	SM6040602TP	18	23
PX060010000	56	34	SL4030891SC	66	86	SM6040602TP	22	16
PX500020000	12	73	SL4031281SC	66	47	SM6040602TP	38	14
PX500020000	34	24	SL4031291SC	20	57	SM6040602TP	72	19
PX500020000	56	42	SL4031681SC	34	10	SM6040802TR	72	30
PX500043000	6	24	SL4031691SC	50	25	SM6041402TP	18	4
PX500043000	38	26	SL4040691SC	48	93	SM6050802TR	26	24
PX500043000	56	25	SL4040691SC	50	12	SM6051002TR	72	37
PX5000480A0	34	26	SL4040691SC	64	37	SM6051202TP	22	10
PX5000480A0	56	35	SL4040891SC	22	47	SM6051202TP	38	16
RC1900001KP	22	3	SL4040891SC	24	47	SM6051602TP	18	40
RC1900001KP	26	4	SL4040891SC	42	7	SM6051602TR	26	50
RE0320000K0	2	20	SL4040891SC	46	71	SM6051602TR	28	50
RE0600000K0	18	34	SL4040891SC	50	9	SM6051602TR	42	12
RE0600000K0	22	14	SL4040891SC	56	6	SM6061202TP	44	18
SB108000500	18	36	SL4041081SC	64	83	SM6061602TN	6	21
SB108000500	22	9	SL4041081SC	66	83	SM6085002TP	2	13
SB110000500	26	15	SL4041091SC	64	73	SM6086002TP	2	10
SB710000200	22	2	SL4041091SC	66	73	SM8040602TP	8	71
SB710000200	26	3	SL4041491SC	66	79	SM8040602TP	18	27
SD0402001TP	10	12	SL4041691SC	66	52	SM8040802TP	18	28
SD0550212TP	26	39	SL4042091SC	26	28	SM8050612TP	26	14
SD0600271SP	2	38	SL4042591SC	50	18~20	SM8050802TP	18	42
SD0601021SP	4	65	SL4043091SC	56	18	SM8050802TP	22	36
SD0640241SP	6	37	SL4043291SC	64	13	SM9040803SF	64	9
SD0700811TP	28	47	SL4051091SC	22	43	SM9041050SC	42	20
SD0790802SP	12	64	SL4051091SC	52	19	SM9050813SE	60	17
SD0791051SP	52	3	SL4051091SC	66	80	SM9051450SC	26	34
SD0791271SP	2	6	SL4051241SE	34	17	SM9051450SC	72	15
SD0791271SP	10	5	SL9082093SE	44	4	SM9061080SE	60	16
SD0791501SP	10	15	SM0030601SC	34	28	SM9061403SC	44	36

NUMERICAL INDEX OF PARTS

PART NO	PAGE	REF NO.	PART NO	PAGE	REF NO.	PART NO	PAGE	REF NO.
SM9061403SC	52	14	SS6121050SP	12	59	SS8151720SP	34	18
SM9062003SC	26	20	SS6121210SP	4	60	SS8660330SP	8	61
SM9062553SC	26	16	SS6121210SP	20	60	SS8660512TP	8	60
SM9081620SE	50	27-28	SS6121212TP	38	6	SS8660610TP	14	9
SM9082023SE	46	73	SS6121610TP	12	58	SS8660612TP	8	64
SM9082023SE	50	16-17-38-39	SS6151220SP	46	82	SS8660612TP	14	12
			SS6151412TP	20	52	SS8660612TP	16	28
SS4110615SP	42	27	SS6151440SP	22	34	SS8660942TP	16	27
SS4110615SP	46	76	SS6151612TP	22	26	SS9110543CP	26	40
SS4110715SP	4	63	SS6151612TP	26	25	SS9150910SP	26	10
SS4110910TP	6	32	SS7080310TP	6	7	SS9151210TP	20	53
SS4110915SP	18	44	SS7080510TP	16	3	SS9151210TP	52	32
SS4110915SP	22	35	SS7090510SP	10	17	SS9151630CP	16	11
SS4111215SP	50	10	SS7090850SP	22	30	SS9151740CP	34	22
SS4120915SP	2	17	SS7090850SP	34	8	SS9161610SP	2	43
SS5120810SP	2	22	SS7110710SL	46	83	SS9201813CP	22	33
SS6050180SL	6	8	SS7110830SP	6	11	TA0750404R0	66	56
SS6080320SP	38	37	SS7110840SP	2	40	WP0371016SD	12	62
SS6080410SP	30	50	SS7110840SP	6	44	WP0371016SD	30	62
SS6080410SP	32	50	SS7110910TP	18	12	WP0371016SD	32	62
SS6080610TP	30	72	SS7110910TP	22	23	WP0371016SD	34	6
SS6080610TP	32	72	SS7111410SP	6	4	WP0430800SC	34	15
SS6080720SP	34	38	SS7111410SP	46	84	WP0430800SC	42	22
SS6090520SP	4	55	SS7111410TP	6	39	WP0430801SC	46	60
SS6090540SP	6	3	SS7111410TP	12	68	WP0430801SC	50	24
SS6090540SP	28	48	SS7111810SP	6	34	WP0430801SC	72	31
SS6090610SP	2	31	SS7111810TP	6	10	WP0450801SD	4	64
SS6090610SP	22	31	SS7111810TP	22	22	WP0450801SD	26	41
SS6090620SP	2	4	SS7112420SP	6	40	WP0450801SD	30	68
SS6090620SP	18	17	SS7120640SP	38	11	WP0450801SD	32	68
SS6090620SP	30	63	SS7151210SP	10	45	WP0480856SP	12	57
SS6090620SP	32	63	SS7151340TP	4	53	WP0480856SP	46	85
SS6090670TP	6	30	SS8080410TP	34	40	WP0501016SD	12	55
SS6091210TP	16	7	SS8090710SP	28	56	WP0501016SD	18	45
SS6110480SP	2	2	SS8090710SP	34	45	WP0501046SC	72	27
SS6110480SP	6	42	SS8110410TP	8	55	WP0520656SA	60	18
SS6110610TP	18	21	SS8110422TP	26	9	WP0531000SC	2	8
SS6110610TP	38	48	SS8110422TP	34	4	WP0531000SC	22	12
SS6110610TP	40	48	SS8110520TP	38	8	WP0531000SC	26	63
SS6110670TP	2	42	SS8111010TP	26	37	WP0531000SC	28	63
SS6111010SP	52	43	SS8150410TP	8	53	WP0531000SC	72	38
SS6111210SP	2	29	SS8151150SP	4	57	WP0560860SE	42	14
SS6120930TP	12	54	SS8151150SP	8	67	WP0560860SE	44	41
SS6120940SP	2	35	SS8151150SP	14	1	WP0561616SC	46	57
SS6120940SP	12	81	SS8151550SP	14	7	WP0611626SP	52	15

NUMERICAL INDEX OF PARTS

PART NO	PAGE	REF NO.
WP0612056SD	44	31
WP0621016SD	10	4
WP0641600SC	6	22
WP0641600SC	26	21
WP0641600SC	44	38
WP0651001SC	66	89
WP0740516SP	4	67
WP08416000E	52	6
WP0841600SE	42	8
WP0851846SC	44	27
WP0871602SE	46	72
WP0871602SE	50	16·17·38- ·39
WP1302501SE	44	9
WP1612616SE	60	12
WS0410002KN	42	21
WS0410002KN	52	28
WS0410002KP	34	7
WS0451040KP	12	69
WS0451040KP	30	69
WS0451040KP	32	69
WS0510002KN	6	18
WS0510002KN	28	62
WS0510002KN	42	13
WS0510002KN	60	19
WS0510002KN	72	17
WS0510002KP	42	24
WS0521010KN	60	20
WS0610002KN	6	23
WS0610002KN	26	22
WS0610002KN	44	37
WS0610002KN	68	90
WS0610002KN	72	22
WS0650389KP	2	37
WS0820002KN	44	26
WS0861410KR	46	75
WS0861410KR	50	16·17·38- ·39
WS1002560KR	62	3
WS1220002KR	44	20
WZ0850302K0	52	7