

MODEL : LK-1900

List No : 1190-06

# PARTS LIST

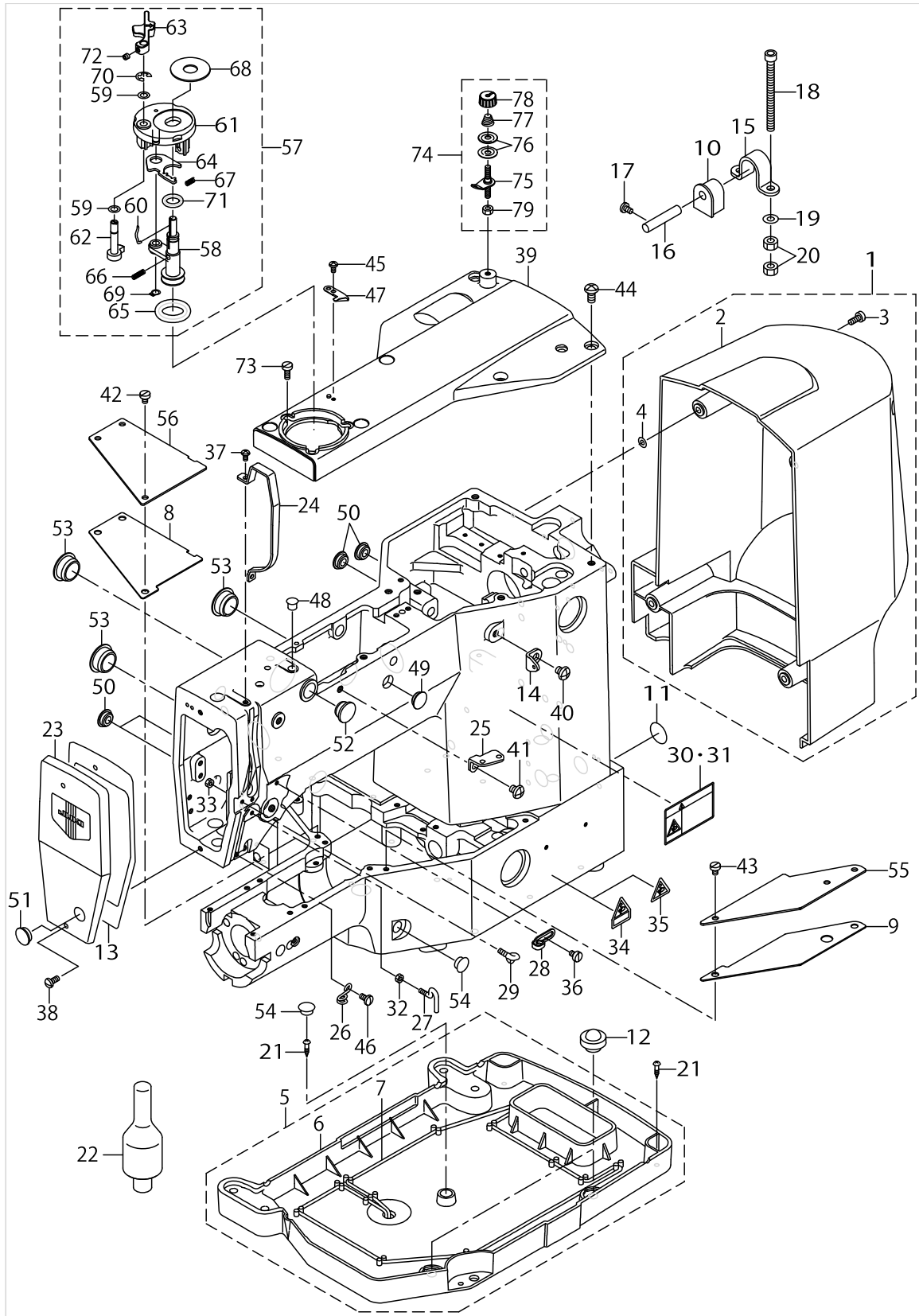
Published:05/12/2017

## CONTENTS

---

FRAME & MISCELLANEOUS COVER COMPONENTS .....	1
MAIM SHAFT & NEEDLE BAR COMPONENTS .....	5
PRESSER LIFTER COMPONENTS .....	11
SHUTTLE DRIVER SHAFT COMPONENTS.....	15
WIPER MECHANISM COMPONENTS .....	19
TENSION RELEASE & THREAD TENSION COMPONENTS.....	21
TENSION RELEASE & THREAD TRIMMER MECHANISM COMPONENTS.....	23
FEED MECHANISM COMPONENTS.....	27
LUBRICATION COMPONENTS .....	31
SENSOR & EXTENSION CABLE COMPONENTS .....	33
THREAD STAND COMPONENTS.....	35
CONTROL BOX COMPONENTS .....	37
OPERATION BOX & PEDAL COMPONENTS.....	41
WIRING DIAGRAM.....	43
ACCESSORIE PART COMPONENTS .....	45
OPTION COMPONENTS(1).....	49
OPTION COMPONENTS(2)(FOR LK-1900,1901,1902) .....	53
TABLE COMPONENTS .....	55
LK-1901S△:WORK CLAMP MECHANISM COMPONENTS.....	57
LK-1901:WORK CLAMP SOLENOID COMPONENTS.....	61
LK-1902S△ .....	63
LK-1902H△ .....	67
LK-1903S△-30△.....	69
LK-1903-301:BUTTON CLAMP COMPL. FOR SMALL-BUTTONS .....	73
LK-1903-302:LK-1903-303:LK-1903-304.....	77
LK-1903-305:SHANK BUTTON CLAMP MECHANISM COMPONENTS.....	81
LK-1904 .....	85
ACCESSORIES PARTS FOR LK-1900 SUB CLASSES .....	87
LIST FOR INFORMATION OF CHANGE.....	89
HOW TO MAKE USE OF THIS PARTS LIST .....	90

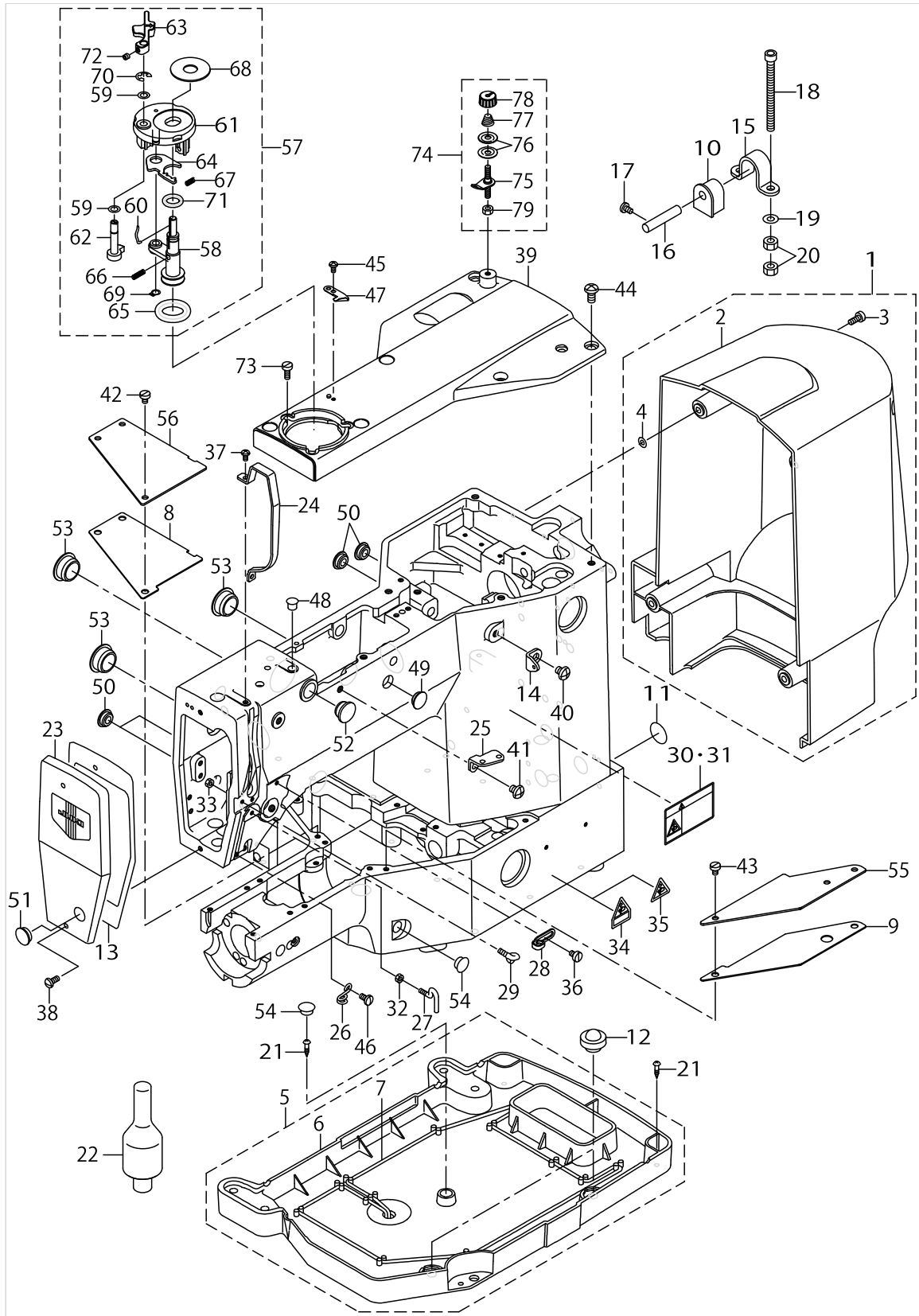
FRAME & MISCELLANEOUS COVER COMPONENTS



FRAME & MISCELLANEOUS COVER COMPONENTS

No.	Supply Code	Parts No.	Replacement	Parts name	Remarks	Choice	Step	Level	Cons	Qty	Rep. QTY
1		14100457		MOTOR COVER ASM.						1	
2	R	14100408	14100457	MOTOR COVER				*		1	1.00
3		SS6111140SP		SCREW11/64-40L=11				*		4	
4		M8002430000		STOPPER				*		4	
5		14100754		OIL PAN ASM.						1	
6	R	14100705	14100754	OIL PAN				*		1	1.00
7		CQ252200000		OIL WICK				*		1	
8	D	14100903		BED COVER PACKING A						1	
9		14101000		BED COVER PACKING B						1	
10		B1115210D00		HINGE RUBBER						2	
11	R	10004109	22901805	GROUND MARK						1	1.00
12		B1116210D00		FRAME SUPPORT RUBBER						2	
13		13502307		FACE PACKING						1	
14	R	13786306	40010414	THREAD GUIDE NO.1						1	1.00
15		B1111210D00		BED HINGE						2	
16	R	B2707761000	40009290	HINGE STUD						2	1.00
17		SS7110730SP		SCREW 11/64-40 L= 6.5						2	
18		SM6067552TP		HEXAGONAL-HOLE BOLT M6 L=75						4	
19		WP0651646SC		WASHER						4	
20		NM6060001SC		NUT M6						8	
21		SK3382001SE		SCREW D=3.8 L=20						4	
22		14101208		HEAD SUPPORT BAR						1	
23	R	13816764	26211755	FACE COVER ASM.						1	1.00
24		26211607		BALANCE COVER						1	
25	R	B1111232000	26211904	THREAD GUIDE PLATE						1	1.00
26	R	B1124280000	26212100	ARM THREAD GUIDE B						1	1.00
27	R	B1125280000	26212209	L-SHAPED THREAD GUIDE A						1	1.00
28	R	11018504	22920508	ARM THREAD GUIDE A						1	1.00
29		B3114771000		THREAD GUIDE						1	
30		CM300200101		SAFETY LABEL, 1(SMALL).	FOR USE IN JAPAN					1	
31		CM3002001A1		SAFETY LABEL.,3 (SMALL).	EXCEPT JE & USE IN JAPAN					1	
32		NS6090310SP		NUT 9/64-40						1	
33		NS6090310SP		NUT 9/64-40						1	
34		CM3002000B2		LABEL(25).	FOR USE IN JAPAN					1	
35		CM300200002		CAUTION LABEL(25)						1	
36		SS6110610TP		SCREW 11/64-40 L=6						1	
37		SS4090715SP		SCREW 9/64-40 L=7						2	
38		SS4111015SP		SCREW11/64-40L=10						2	
39		14100309		TOP COVER						1	
40		SS4150715SP		SCREW 15/64-28 L=7						1	
41		SS4150715SP		SCREW 15/64-28 L=7						1	
42		SS6110610TP		SCREW 11/64-40 L=6						3	
43		SS6110610TP		SCREW 11/64-40 L=6						2	
44		SS4151215SP		SCREW15/64-28L=12						6	
45		SS4090715SP		SCREW 9/64-40 L=7						1	
46		SS7110840SP		SCREW 11/64-40 L=7.8						1	

FRAME & MISCELLANEOUS COVER COMPONENTS



FRAME & MISCELLANEOUS COVER COMPONENTS

No.	Supply Code	Parts No.	Replacement	Parts name	Remarks	Choice	Step	Level	Cons	Qty	Rep. QTY
47		10502300		THREAD CUTTER						1	
48		TA0750704R0		RUBBER PLUG						1	
49		TA1250406R0		RUBBER PLUG D=12.5 L=4						1	
50		TA1250406R0		RUBBER PLUG D=12.5 L=4						4	
51		TA1250406R0		RUBBER PLUG D=12.5 L=4						1	
52		TA1470704R0		RUBBER PLUG						1	
53		TA2100904R0		RUBBER PLUG						3	
54		TA1050504R0		RUBBER PLUG						2	
55	D	14100606		BED COVER B						1	
56	D	14100507		BED COVER A						1	
57	R	14113666	40026746	BOBBINWINDERASM.						1	1.00
58	R	14113658	40026746	BOBBIN WINDER SHAFT COMPL.				*		1	1.00
59	R	13507504	26217604	WASHER				*		1	1.00
60		B3212761000		LATCH SPRING				*		1	
61		22537658		BOBBIN FITTING BASIS COMPL.				*		1	
62		22538151		BOBBIN CAM SHAFT COMPL.				*		1	
63		22538300		BOBBIN LEVER				*		1	
64		22538409		ADJUSTING PLATE				*		1	
65		A321600100A		RUBBER RING				*		1	
66	R	B1148555000	22912109	SPRING				*		1	1.00
67		B152989000CA		PRESSUR FOOT SPRING				*		1	
68		B3205210000		CUSHION				*		1	
69		RC0560711KP		RETAINING RING				*		1	
70		RE0500000K0		E-RING				*		1	
71		RO092270200		RUBBER RING				*		1	
72		SS8110422TP		SCREW 11/64-40 L=4				*		1	
73		SS6111140SP		SCREW11/64-40L=11						3	
74		14113468		BOBBIN THREAD TENSION ASM.						1	
75		14113450		BOBBIN THREAD T- ENSION ROD ASM.				*		1	
76	R	B3126012000	22921506	THREAD TENSION DISK				*		2	1.00
77		D7133555B00		CONNECTING ROD SPRING				*		1	
78		11072402		THREAD TENSION NUT				*		1	
79		NS6110310SP		NUT 11/64-40				*		1	



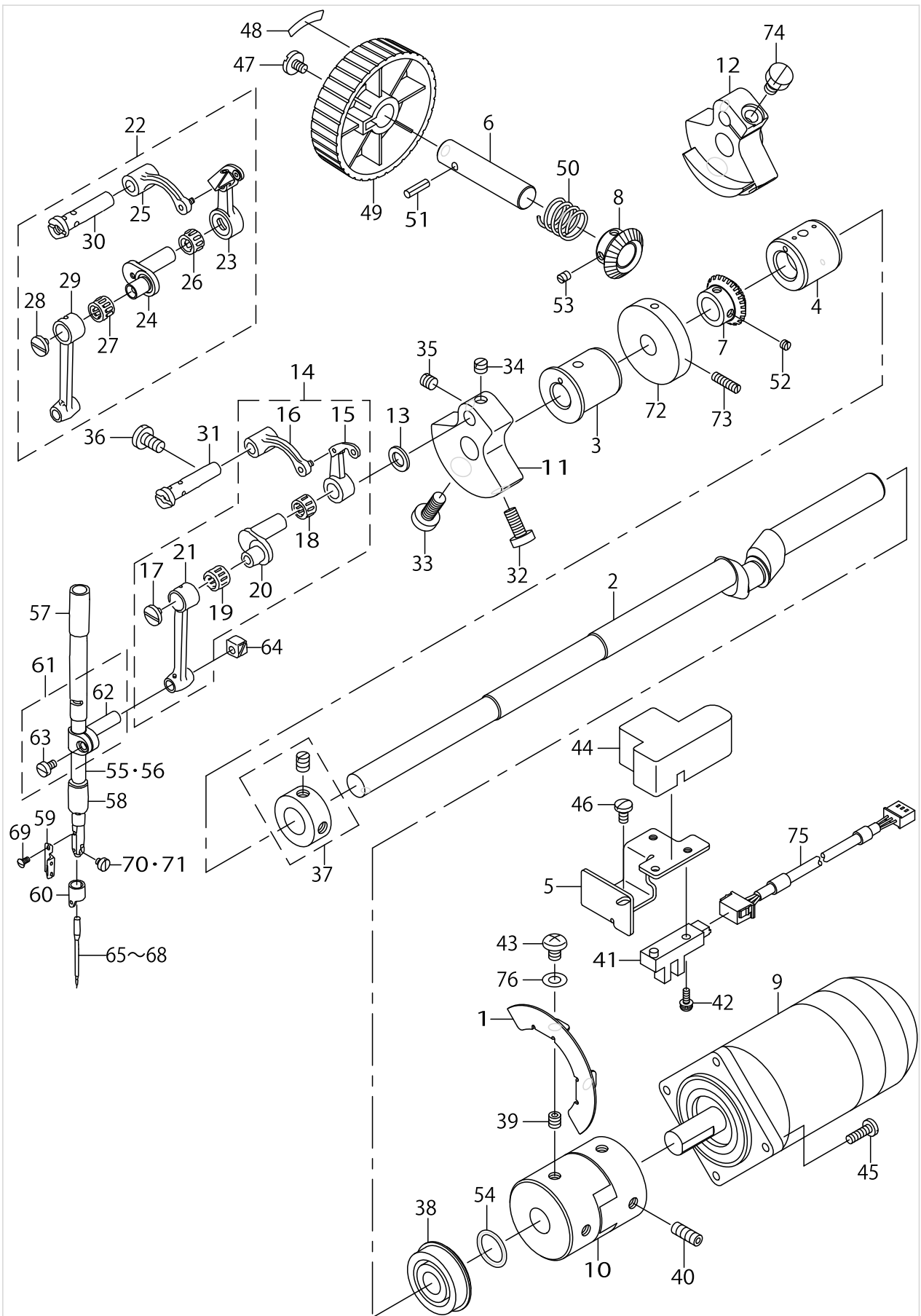
MAIM SHAFT & NEEDLE BAR COMPONENTS

No.	Supply Code	Parts No.	Replacement	Parts name	Remarks	Choice	Step	Level	Cons	Qty	Rep. QTY
1		14102404		MAIN SHAFT SLIT PLATE						1	
2		14102107		MAIN SHAFT						1	
3	D	14102206		MAIN SHAFT BUSHING, FRONT						1	
4		14102305		MAIN SHAFT BUSHING, MIDDLE						1	
5		14102503		SENSOR INSTALLING BASE						1	
6		26500306		HAND PULLEY SHAFT						1	
7		14102701		HANDPULLEYGEARA						1	
8		14102800		HANDPULLEYGEARB						1	
9	D	B1230210D00		MAIN MOTOR						1	
10		B1231210D00		COUPLING						1	
11		B1202280000		COUNTER WEIGHT	FOR LK-19-00SS,HS,SA,HA					1	
12		B1206210D00		COUNTER WEIGHT	FOR LK-19-00FS,MS,FA,MA					1	
13		B1223771000		NEEDLE ROD CRANK WASHER						1	
14		B19012800B0		LINK BALANCE ASM.	FOR LK-19-00SS,HS,SA,HA					1	
15	R	B1901280000	B19012800A0	THREAD TAKE-UP LEVER				*		1	1.00
16	R	B1903280000	B19012800A0	THREAD TAKE-UP CRANK				*		1	1.00
17		B1903552000		LEFT SCREW				*		1	
18	R	B1905541000	B1905541A00	NEEDLE BUSHING		A		*		1	1.00
18	R	B1905541000	B1905541B00	NEEDLE BUSHING		B		*		1	1.00
18	R	B1905541000	B1905541C00	NEEDLE BUSHING		C		*		1	1.00
18	R	B1905541000	B1905541D00	NEEDLE BUSHING		D		*		1	1.00
19	R	B1411804000	B1411804A00	NEEDLE DRIVING LEVER BEARING		A	A:	*		1	1.00
19	R	B1411804000	B1411804B00	NEEDLE DRIVING LEVER BEARING		B	B:	*		1	1.00
19	R	B1411804000	B1411804C00	NEEDLE DRIVING LEVER BEARING		C	C:	*		1	1.00
19	R	B1411804000	B1411804D00	NEEDLE DRIVING LEVER BEARING		D	D:	*		1	1.00
20		B1203280000		NEEDLE ROD CRANK				*		1	
21		B1404280000		NEEDLE BAR CRANK ROD				*		1	
22		B1901210DC0		LINK THREAD TAKE-UP	FOR LK-19-00FS,MS,FA,MA					1	
23		B1901210DA0		THREAD TAKE-UP LEVER COMPL.				*		1	
24	D	B1407210D00		NEEDLE BAR CRANK				*		1	
25	R	B1903210000	B19012100C0	THREAD TAKE-UP CRANK				*		1	1.00

A:ローラー径2φ公差 0 ~ -0.002/A:ROLLER diameter 2φ tolerance 0 ~ -0.002  
 B::ローラー径2φ公差 -0.002 ~ -0.004/B::ROLLER diameter 2φ tolerance -0.002 ~ -0.004  
 C::ローラー径2φ公差 -0.004 ~ -0.006/C::ROLLER diameter 2φ tolerance -0.004 ~ -0.006  
 D::ローラー径2φ公差 -0.006 ~ -0.008/D::ROLLER diameter 2φ tolerance -0.006 ~ -0.008



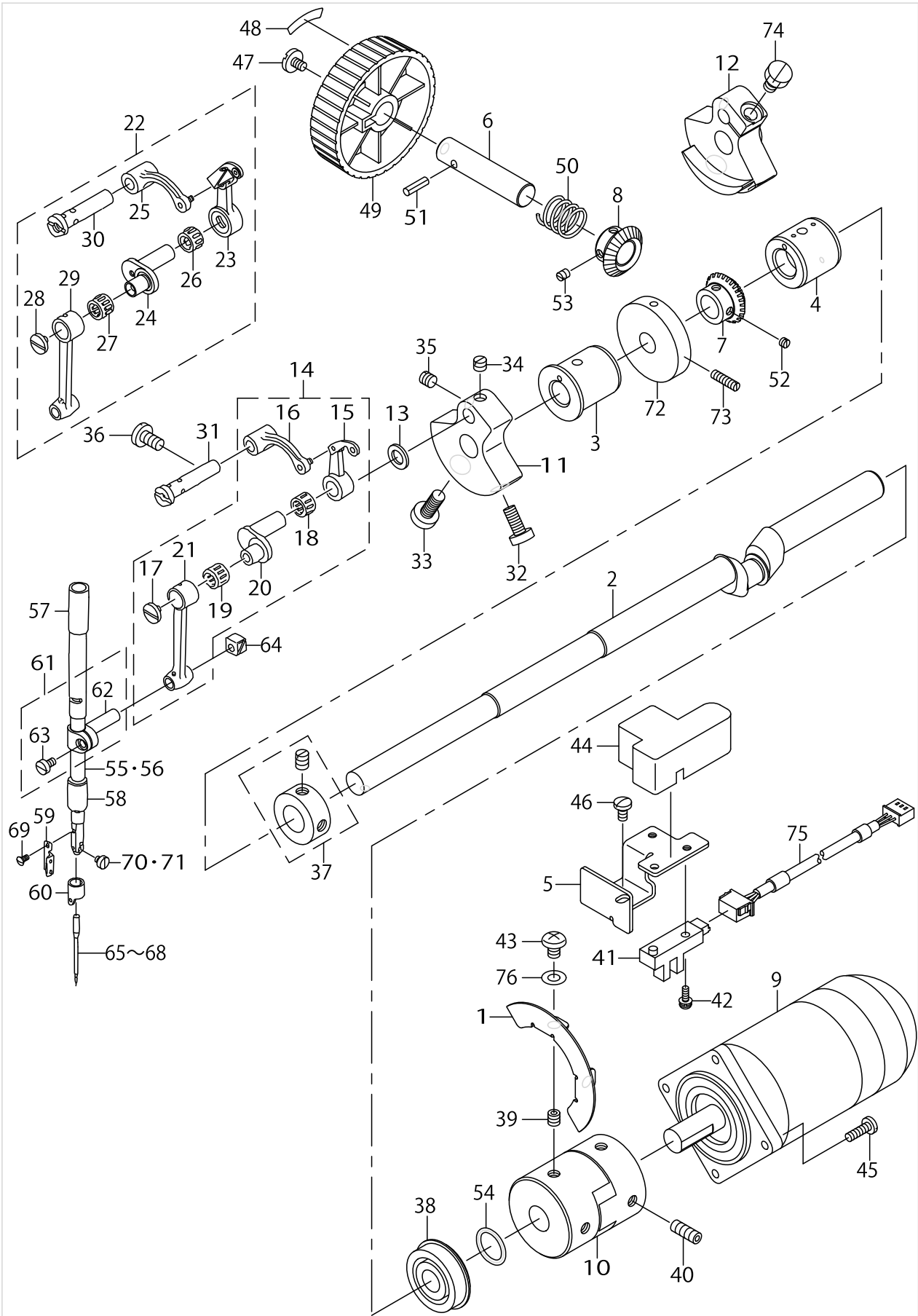
MAIM SHAFT & NEEDLE BAR COMPONENTS



MAIM SHAFT & NEEDLE BAR COMPONENTS

No.	Supply Code	Parts No.	Replacement	Parts name	Remarks	Choice	Step	Level	Cons	Qty	Rep. QTY
26	R	B1905541000	B1905541A00	NEEDLE BUSHING		A	A:ローラー径2φ公差0~-0.002/A:ROLLER diameter2φ tolerance 0~-0.002	*		1	1.00
26	R	B1905541000	B1905541B00	NEEDLE BUSHING		B	B:ローラー径2φ公差-0.002~-0.004/B:ROLLER diameter2φ tolerance -0.002~-0.004	*		1	1.00
26	R	B1905541000	B1905541C00	NEEDLE BUSHING		C	C:ローラー径2φ公差-0.004~-0.006/C:ROLLER diameter2φ tolerance -0.004~-0.006	*		1	1.00
26	R	B1905541000	B1905541D00	NEEDLE BUSHING		D	D:ローラー径2φ公差-0.006~-0.008/D:ROLLER diameter2φ tolerance -0.006~-0.008	*		1	1.00
27	R	B1411804000	B1411804A00	NEEDLE DRIVING LEVER BEARING		A	A:	*		1	1.00
27	R	B1411804000	B1411804B00	NEEDLE DRIVING LEVER BEARING		B	B:	*		1	1.00
27	R	B1411804000	B1411804C00	NEEDLE DRIVING LEVER BEARING		C	C:	*		1	1.00
27	R	B1411804000	B1411804D00	NEEDLE DRIVING LEVER BEARING		D	D:	*		1	1.00
28		B1903552000		LEFT SCREW				*		1	
29		B1404280000		NEEDLE BAR CRANK ROD				*		1	
30		B1904280000		BALANCE CRANK PIN				*		1	
31		B1904280000		BALANCE CRANK PIN	FOR LK-19-00SS,HS,SA,HA					1	
32		SS6151412TP		SCREW 15/64-28L=14						1	
33		SS6681712TP		SCREW 9/32-28 L=16.5						1	
34		SS8660530TP		SCREW 1/4-40 L= 4.5	FOR LK-19-00SS,HS,SA,HA					1	
35		SS8660610TP		SCREW 1/4-40 L=6						1	
36		SS7151120SP		SCREW 15/64-28L=11						1	
37	R	CS147121ASH	22904155	THRUST COLLAR A-SM.D=14.72 W=12						1	1.00
38		G1216870000		UPPER SHAFT REAR BEARING						1	
39		SM8060612TP		SCREW M6 L=6						2	
40		SM8061612TP		SCREW M6X16						2	
41		HD002230000		PHOTO SENSOR						1	
42		SL4041291SC		SCREW M4 L=12						1	
43		SM4060801SE		SCREW						2	
44		14114508		MAIN SHAFT SENSOR COVER						1	
45		SS7111410TP		SCREW 11/64-40L=14						4	
46		SS7110840SP		SCREW 11/64-40 L=7.8						1	
47		A1230500000A		HANDWHEEL SETSCREW						1	
48		B1144210000		REVOLVING DIRECTION LABEL						1	
49		B1212210D00		PULLEY						1	
50		GAF01007000		SPRING						1	
51		PS0400142KH		SPRING PIN 4X14						1	

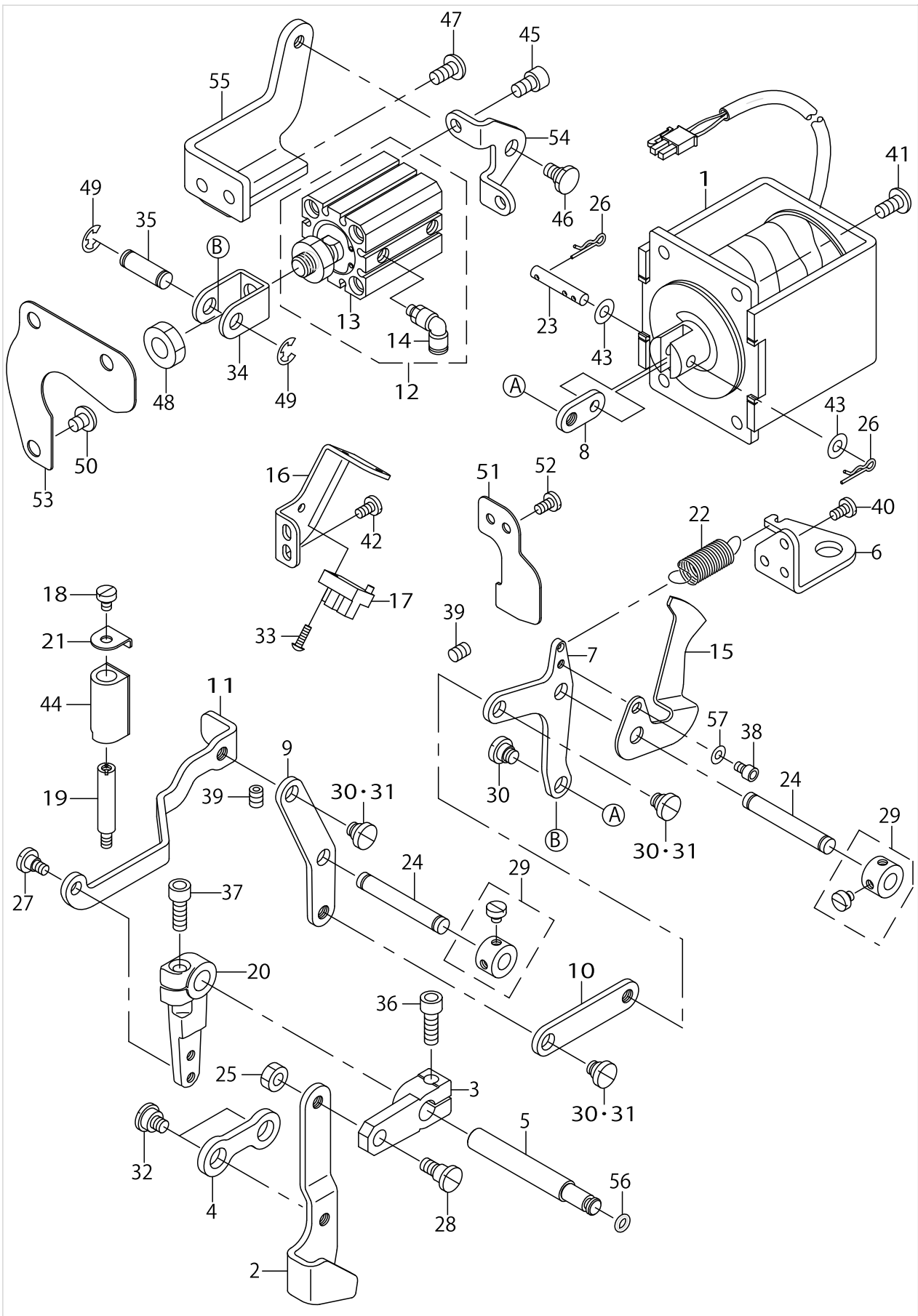
MAIM SHAFT & NEEDLE BAR COMPONENTS



MAIM SHAFT & NEEDLE BAR COMPONENTS

No.	Supply Code	Parts No.	Replacement	Parts name	Remarks	Choice	Step	Level	Cons	Qty	Rep. QTY
52		SS8110310SP		SCREW 11/64-40 L= 2.8						2	
53		SS8110310SP		SCREW 11/64-40 L= 2.8						2	
54		RO154240100		RUBBER RING						1	
55	R	B1401280000	26200006	NEEDLE BAR	FOR LK-19-00SS,FS,M-S,SA,FA,MA					1	1.00
56	D	D1401L7VV00		NEEDLE BAR	FOR LK-1900HS,HA					1	
57	R	B1402280000	26203208	NEEDLE ROD METAL						1	1.00
58		B1403280000		NEEDLE ROD LOWER METAL						1	
59	R	B1405280000	26215301	NEEDLE BAR THREAD GUIDE	FOR LK-19-00SS,FS,M-S,SA,FA,MA					1	1.00
60		D1405L7AM00		NEEDLE BAR THREAD GUIDE	FOR LK-1900HS,HA					1	
61		B14115520A0		NEEDLE BAR CONNECTING ASM.						1	
62	R	B1411552000	B14115520A0	NEEDLE BAR CLAMP				*		1	1.00
63		SS6090670TP		SCREW 9/64-40 L=6				*		1	
64		B1414232000		SQUARE BLOCK						1	
65		MDP500B1100		NEEDLE DPX5 #11	FOR LK-19-00FS,MS,FA,MA					1	
66		MDP500B1400		NEEDLE DPX5 #14	FOR LK-19-00SS,SA(U-SE IN JAPAN)					1	
67		MDP500B1600		NEEDLE DPX5 #16	FOR LK-19-00SS,SA(EXPORT)					1	
68		MDP170B1900		NEEDLE DPX17 #19	FOR LK-1900HS,HA					1	
69		SS2060510SP		SCREW 3/32-56 L=4.5	FOR LK-19-00SS,FS,M-S,SA,FA,MA					1	
70		SS6080340SP		SCREW 1/8-44 L=2.9	FOR LK-19-00SS,FS,M-S,SA,FA,MA					1	
71		SS7080510TP		SCREW 1/8-44 L=4.5	FOR LK-1900HS,HA					1	
72		B3213205000		BOBBIN WINDER DRIVING WHEEL						1	
73		SS8111610SP		SCREW 11/64-40 L=15.5						2	
74		SS9661230CP		SCREW 1/4-40 L=12	FOR LK-19-00FS,MS,FA,MA					1	
75		14115356		MAIN SHAFT SENSOR CABLE ASM.						1	
76		WS0610002KN		SPRING WASHER 6.1X12.2X1.5						2	

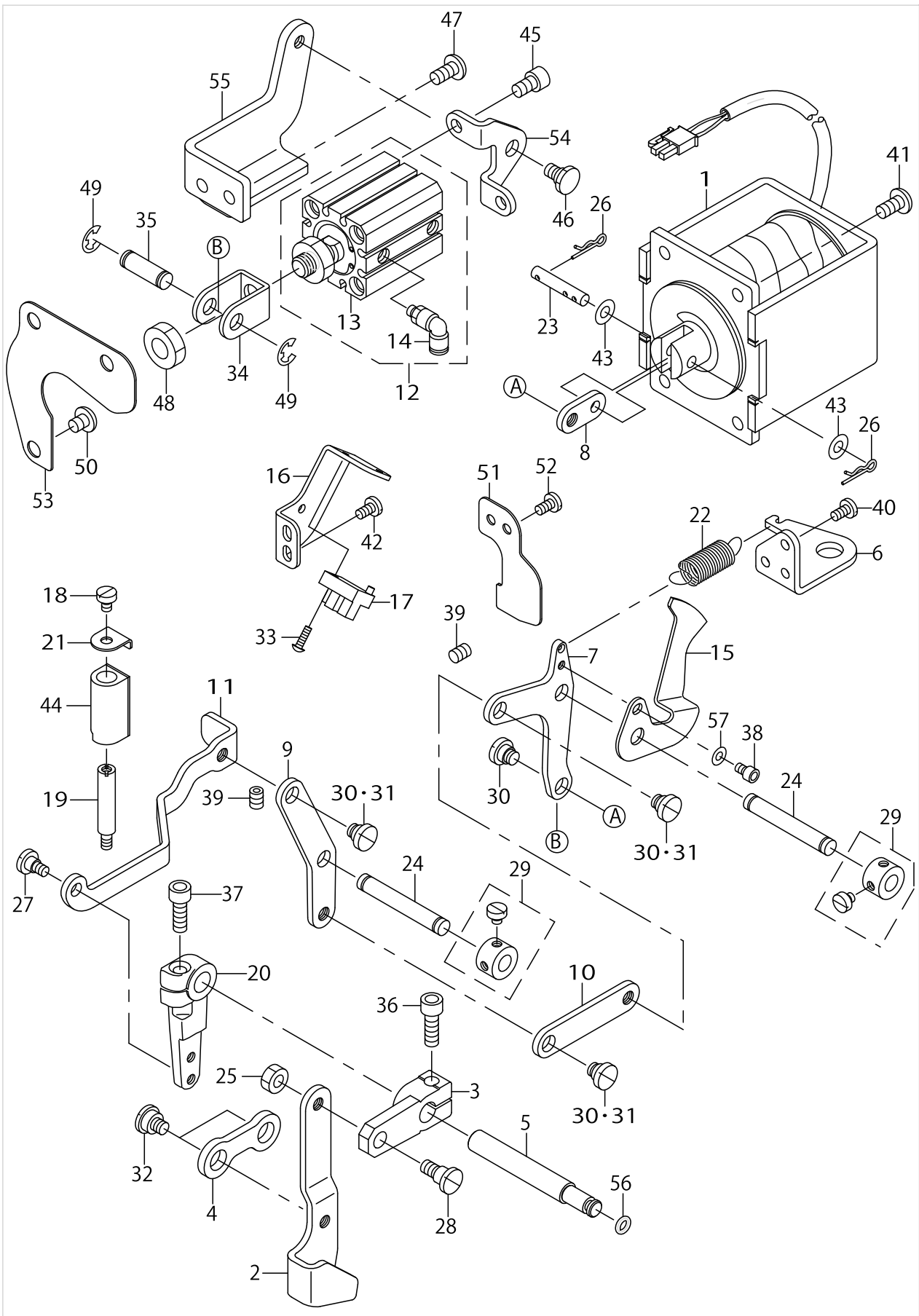
PRESSER LIFTER COMPONENTS



PRESSER LIFTER COMPONENTS

No.	Supply Code	Parts No.	Replacement	Parts name	Remarks	Choice	Step	Level	Cons	Qty	Rep. QTY
1		14104152		PRESSER LIFTING SOLENOID ASM.	FOR LK-19-00SS,HS,FS,MS					1	
2		14104202		LOWERING FOOT						1	
3		14104301		LOWERING ARM						1	
4		14104400		CONNECTING LINK						1	
5		26500405		CONNECTING SHAFT						1	
6	D	14104608		RETURN SPRING HOOK	FOR LK-19-00SS,HS,FS,MS					1	
7		26500801		LINK D						1	
8		14104707		SOLENOID LINK	FOR LK-19-00SS,HS,FS,MS					1	
9	D	26500702		LINK B						1	
10		14105001		LINK C						1	
11		14104806		LINK A						1	
12		14105852		PRESSER LIFTING CYLINDER ASM.	FOR LK-19-00SA,HA,FA,MA					1	
13		PA2502507A0		AIR CYLINDER				*		1	
14		PJ304060502		ELBOW UNION 6XM5				*		2	
15		14105209		PRESSER SENSOR SLIT						1	
16	D	14105308		SENSOR INSTALLING PLATE						1	
17		HD00057000A		PHOTO SENSOR						1	
18		SS6110610TP		SCREW 11/64-40 L=6	FOR LK-19-00SS,HS,FS,MS					1	
19		22924005		PUMP BODY STRUT	FOR LK-19-00SS,HS,FS,MS					1	
20		13506415		CONNECTING ARM						1	
21		14105704		STOPPER RUBBER SET WASHER	FOR LK-19-00SS,HS,FS,MS					1	
22		13544705		SPRING	FOR LK-19-00SS,HS,FS,MS					1	
23		B1513210D00		MAGNET PIN	FOR LK-19-00SS,HS,FS,MS					1	
24		D2502232D00		SHAFTBLOCKSHAFT						2	
25		NS6150310SP		NUT 15/64-28						1	
26		B1515210D00		PIN	FOR LK-19-00SS,HS,FS,MS					2	
27		SD0640391TP		HINGE SCREW D= 6.35 H= 3.9						1	
28		SD0790601SP		HINGE SCREW D=7.94 H=6						1	
29		CS079101ASH		THRUST COLLAR A-SM. D=7.94 W=10						2	
30		SD0800341SP		HINGE SCREW D=8 H=3.4	FOR LK-19-00SS,HS,FS,MS					4	
31		SD0800341SP		HINGE SCREW D=8 H=3.4	FOR LK-19-00SA,HA,FA,MA					3	
32		SD1000401SP		HINGE SCREW D=10 H= 4						2	
33		SL4031291SC		SCREW M3X12						1	
34		13860200		CYLINDER PUSHING PLATE	FOR LK-19-00SA,HA,FA,MA					1	
35		13860606		PIN	FOR LK-19-00SA,HA,FA,MA					1	
36		SM6061802TP		SCREW M6 L=18						1	
37		SM6061802TP		SCREW M6 L=18						1	
38		SM6040602TP		SCREW M4 L=6						1	
39		SS8150822TP		SCREW 15/64-28 L=8						2	
40		SS7110840SP		SCREW 11/64-40 L=7.8	FOR LK-19-00SS,HS,FS,MS					2	

PRESSER LIFTER COMPONENTS

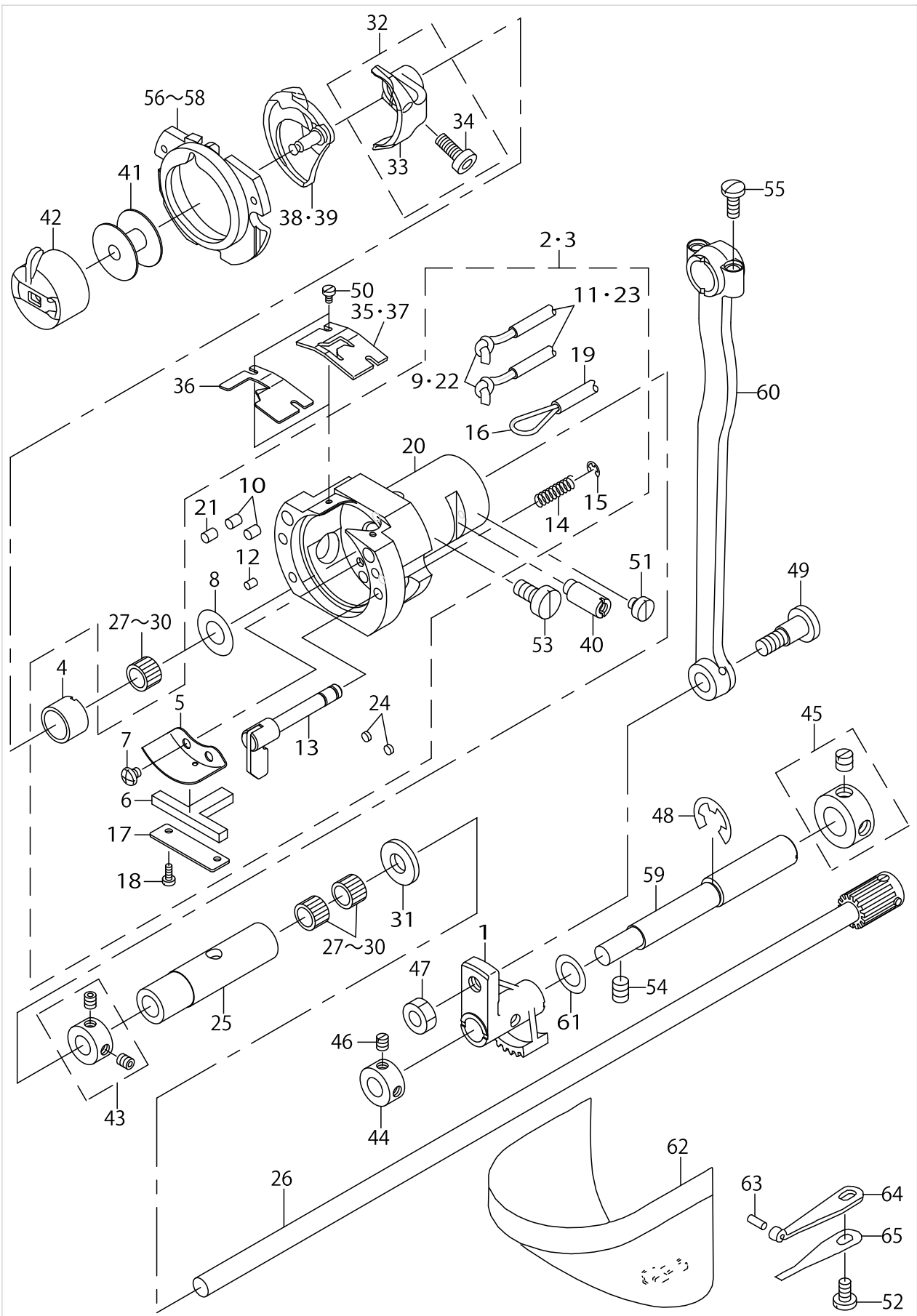


PRESSER LIFTER COMPONENTS

No.	Supply Code	Parts No.	Replacement	Parts name	Remarks	Choice	Step	Level	Cons	Qty	Rep. QTY
41		SS4151215SP		SCREW15/64-28L=12	FOR LK-19-00SS,HS,FS,MS					4	
42		SS7110840SP		SCREW 11/64-40 L=7.8						2	
43		WP0560860SE		WASHER 5.6X12X0.8	FOR LK-19-00SS,HS,FS,MS					2	
44	D	14105605		PRESSER LIFTING STOPPER RUBBER	FOR LK-19-00SS,HS,FS,MS					1	
45		SM6061602TP		SCREW M6 L=16	FOR LK-19-00SA,HA,FA,MA					2	
46		SD0800342TP		HINGE SCREW D=8 H=3.2	FOR LK-19-00SA,HA,FA,MA					1	
47		SS4151215SP		SCREW15/64-28L=12	FOR LK-19-00SA,HA,FA,MA					2	
48		NM6540023SB		NUT	FOR LK-19-00SA,HA,FA,MA					1	
49		RE0600000K0		E-RING 6	FOR LK-19-00SA,HA,FA,MA					2	
50		SS4150715SP		SCREW 15/64-28 L=7	FOR LK-19-00SA,HA,FA,MA					3	
51		14105506		PLATE						1	
52		SS7110840SP		SCREW 11/64-40 L=7.8						2	
53	D	14106108		PLATE	FOR LK-19-00SA,HA,FA,MA					1	
54	D	14105902		CYLINDER BASE A	FOR LK-19-00SA,HA,FA,MA					1	
55	D	14106009		CYLINDER BASE B	FOR LK-19-00SA,HA,FA,MA					1	
56		RO048190100		RUBBER RING						1	
57		WP0450801SD		WASHER 4.5X10X0.8						1	



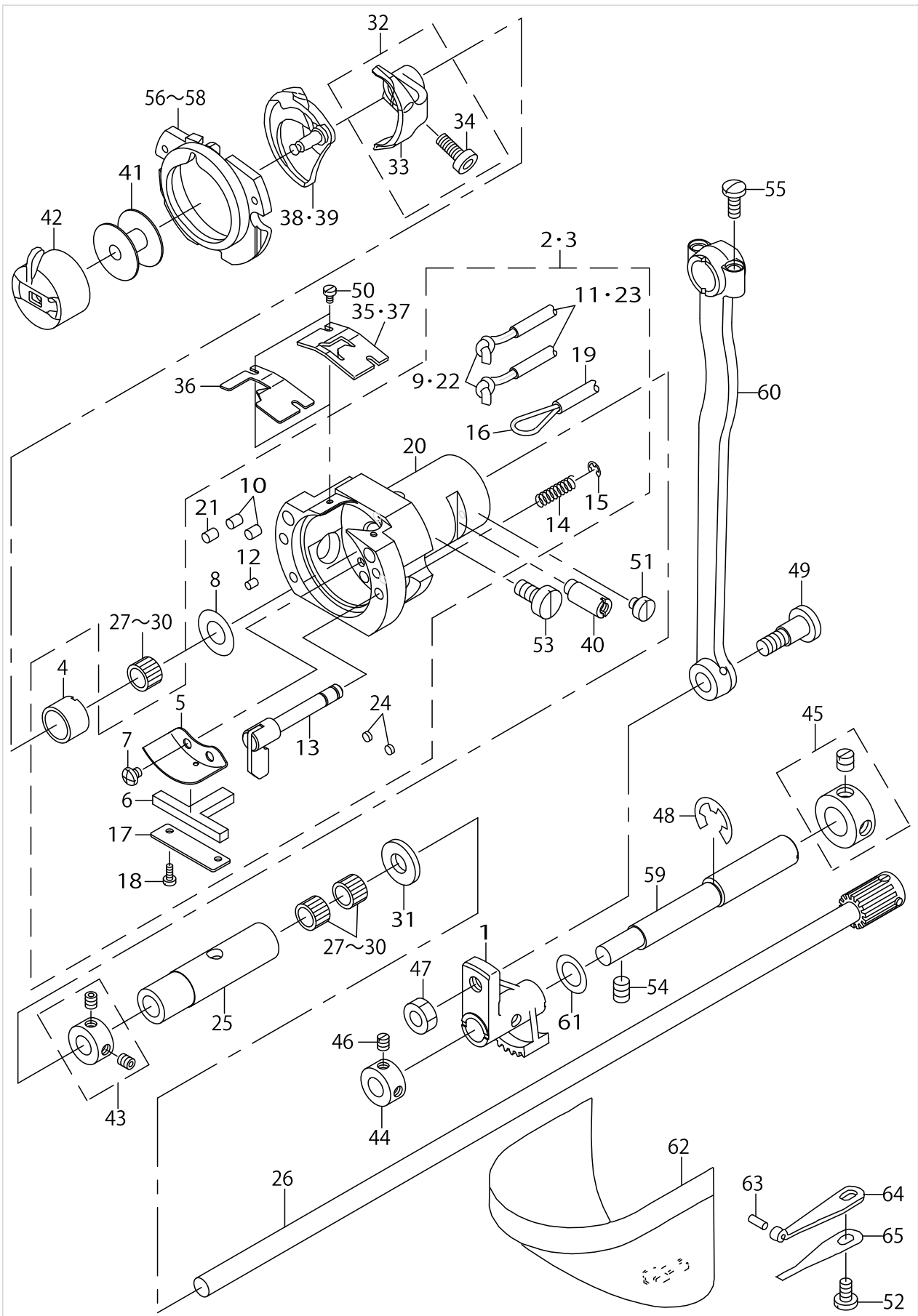
SHUTTLE DRIVER SHAFT COMPONENTS



SHUTTLE DRIVER SHAFT COMPONENTS

No.	Supply Code	Parts No.	Replacement	Parts name	Remarks	Choice	Step	Level	Cons	Qty	Rep. QTY
1		14106702		OSCILLATOR						1	
2		14103758		SHUTTLE ASM.	FOR LK-19-00SS,HS,SA,HA					1	
3		40011409		SHUTTLE ASM.	FOR LK-19-00FS,MS,FA,MA					1	
4		14106405		SHUTTLE NEEDLE OUTER RING				*		1	
5		26231100		SHUTTLE LUBRICATING PLATE				*		1	
6		14103907		SHUTTLE ONCE TH-ROUGH OIL FELT				*		1	
7		SS4090415SP		SCREW 9/64-40 L=4				*		2	
8		WP0952616SD		WASHER 9.5X14.8X2.6				*		1	
9		CQ202000000		OIL WICK				*		1.06	
10		B1820210D00		SHUTTLE OIL FELT,A				*		2	
11		23630007		TUBE				*		0.66	
12		B1821210D00		SHUTTLE OIL FELT,B				*		1	
13		26501858		INNER-HOOK-PRESSER COMPL.				*		2	
14		B1822215P00		INNER HOOK PRESSER SPRING				*		2	
15		RE0300000K0		E-RING 3				*		2	
16		CQ200000000		OIL WICK				*		0.43	
17		14104004		ONCE THROUGH OIL FELT PRESSER				*		1	
18		SS6060410TP		SCREW 3/32-56 L=3.5				*		2	
19		BT0500300EA		OIL TUBE				*		0.19	
20		14103006		SHUTTLE				*		1	
21		22814909		FELT	FOR LK-19-00FS,MS,FA,MA			*		1	
22		CQ202000000		OIL WICK	FOR LK-19-00SS,HS,SA,HA			*		1.59	
23		23630007		TUBE	FOR LK-19-00SS,HS,SA,HA			*		0.99	
24		13529607		SHUTTLE PACKING				*		2	
25		14106306		LOWER SHAFT REAR METAL						1	
26		14106256		LOWER SHAFT GEAR ASM.						1	
27		SB30800100A		BEARING	SELECTIVE PARTS					3	
28		SB30800100B		BEARING	SELECTIVE PARTS					3	
29		SB30800100C		BEARING	SELECTIVE PARTS					3	
30		SB30800100D		BEARING	SELECTIVE PARTS					3	
31		B1808980000		LOWER SHAFT THRUST WASHER						1	
32	R	B18129800A0	40028681	DRIVER ASM.						1	1.00
33	R	B1812980000	40028681	SHUTTLE DRIVER				*		1	1.00
34		SS6121212TP		SCREW 3/16-28 L=12.0				*		1	
35	R	B1815980000	26222109	SHUTTLE UPPER SPRING	FOR LK-19-00SS,HS,SA,HA					1	1.00
36	D	14103501		SHUTTLE UPPER SPRING (F TYPE)	FOR LK-19-00FS,MS,FA,MA					1	
37	D	B1816980000		AUXILIARY SHUTTLE RACE SPRING	FOR LK-19-00FS,MS,FA,MA					1	
38	R	B1818280000	26204909	INNER HOOK	FOR LK-19-00SS,FS,M-S,SA,FA,MA					1	1.00
39		D1818282N00		SHUTTLE	FOR LK-1900HS,HA					1	
40		26222208		SHUTTLE RACE ADJUSTING SHAFT						1	
41		13812102		BOBBIN						1	

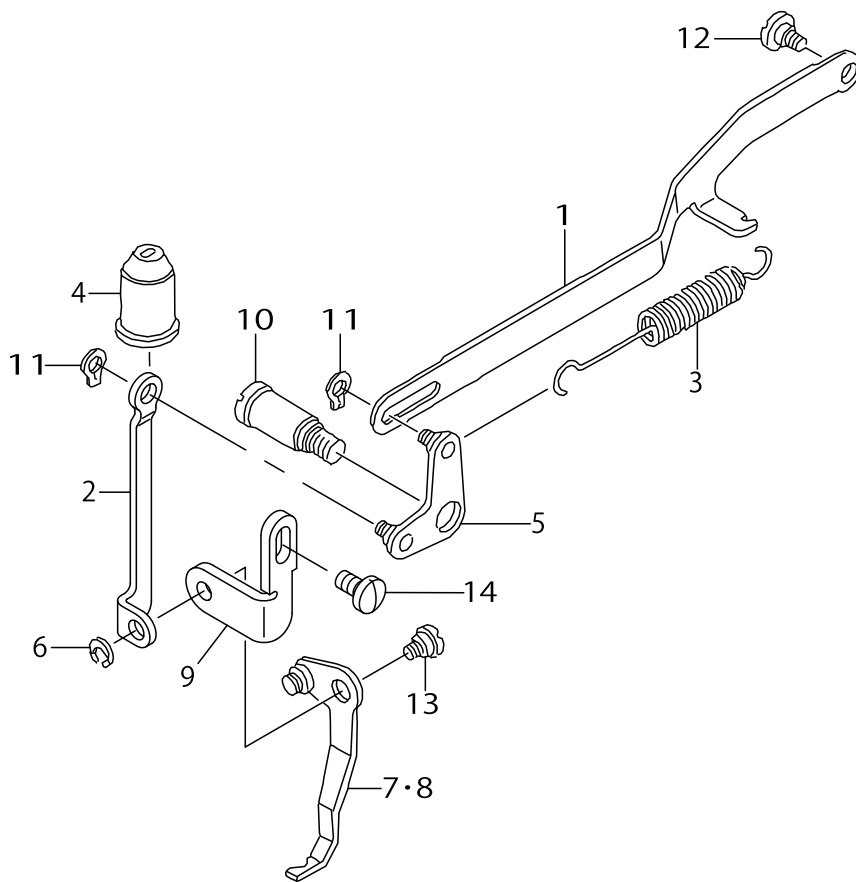
# SHUTTLE DRIVER SHAFT COMPONENTS



SHUTTLE DRIVER SHAFT COMPONENTS

No.	Supply Code	Parts No.	Replacement	Parts name	Remarks	Choice	Step	Level	Cons	Qty	Rep. QTY
42		B18289800BB		BOBBIN CASE ASM. (RACING PREVE						1	
43		CS080081CSH		THRUST COLLAR ASM. D=8.0 W=8						1	
44		CS1000811SP		THRUST COLLAR						1	
45		CS1201010SH		THRUST COLLAR ASM. D=12 W=10						1	
46		SS8110520TP		SCREW 11/64-40 L= 4.5						2	
47		NS6660430SP		NUT 1/4-40						1	
48		RE0900000K0		E-RING 9						1	
49		SD0801021TP		HINGE SCREW D= 8 H=10.2						1	
50		SS6060410TP		SCREW 3/32-56 L=3.5						2	
51		SS6110480SP		SCREW 11/64-40 L=4.3						1	
52		SS7110840SP		SCREW 11/64-40 L=7.8						1	
53		SS6151220SP		SCREW 15/64-28 L=11.5						1	
54		SS8150822TP		SCREW 15/64-28 L=8						2	
55		SS7111110TP		SCREW 11/64-40 L=10.5						2	
56		14103659		SHUTTLE RACE RING ASM.,C	FOR LK-1900HS,HA					1	
57		14103253		INNER HOOK PRESSER ASM., A	FOR LK-19-00FS,MS,FA,MA					1	
58		14103352		INNER HOOK PRESSER ASM., B	FOR LK-1900SS,SA					1	
59		B1836210D00		OSCILLATING ECCENTRIC SHAFT						1	
60	R	B1802210D00	B1802210DA0	CRANK ROD						1	1.00
61		10523504		WASHER						1	
62	R	13816855	40142674	CYLINDER ARM CAP						1	1.00
63		13508700		HOOK COVER PRE- SSER SPRING PIN						1	
64	R	13508809	26221101	HOOK COVER PRESSER SPRING A						1	1.00
65	R	13508908	26221200	HOOK COVER PRESSER SPRING B						1	1.00

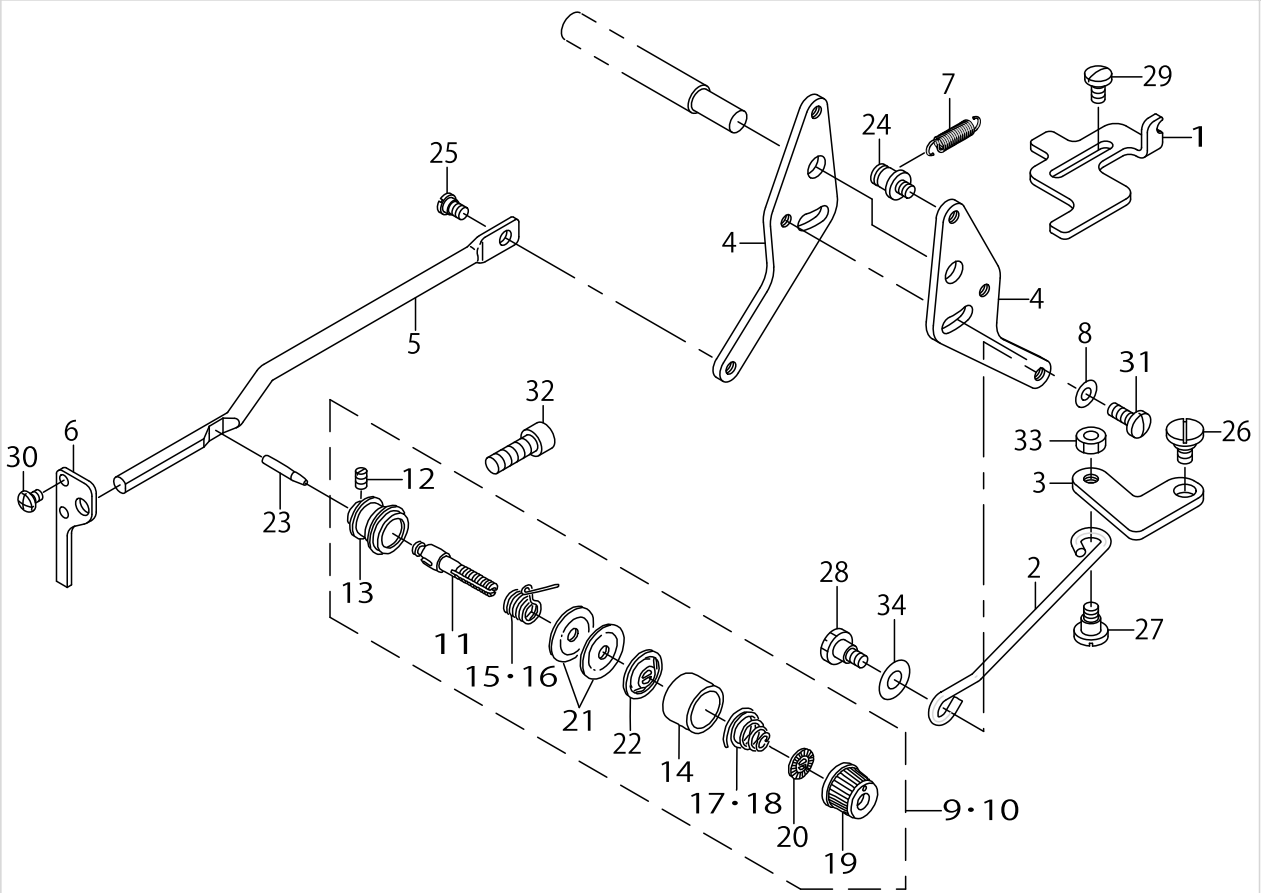
# WIPER MECHANISM COMPONENTS



WIPER MECHANISM COMPONENTS

No.	Supply Code	Parts No.	Replacement	Parts name	Remarks	Choice	Step	Level	Cons	Qty	Rep. QTY
1	R	13509500	26217802	WIPER CONNECTING LINK						1	1.00
2		26217901		WIPER CONNECTING PLATE						1	
3	R	13509708	26218008	SPRING						1	1.00
4		13509807		OIL SHIELD CAP						1	
5	R	13509955	26204453	WIPER CONNECTING ARM ASM.						1	1.00
6	R	B1229232000	RC0410415KP	SNAP RING						1	1.00
7	R	B21012800A0	26218859	WIPER ASM.	FOR LK-19-00SS,FS,M-S,SA,FA,MA					1	1.00
8		D2101L7AMA0		WIPER ASM.	FOR LK-1900HS,HA					1	
9		13574009		WIPER BASE PLATE						1	
10		B2109280000		WIPER CONNECTING SCREW						1	
11		RC0470611KP		RETAINING RING 4.7						2	
12		SD0530221SP		HINGE SCREW D= 5.3 H= 2.2						1	
13		SD0640211SP		HINGE SCREW D= 6.35 H= 2.1						1	
14		SS7110840SP		SCREW 11/64-40 L=7.8						1	

TENSION RELEASE & THREAD TENSION COMPONENTS

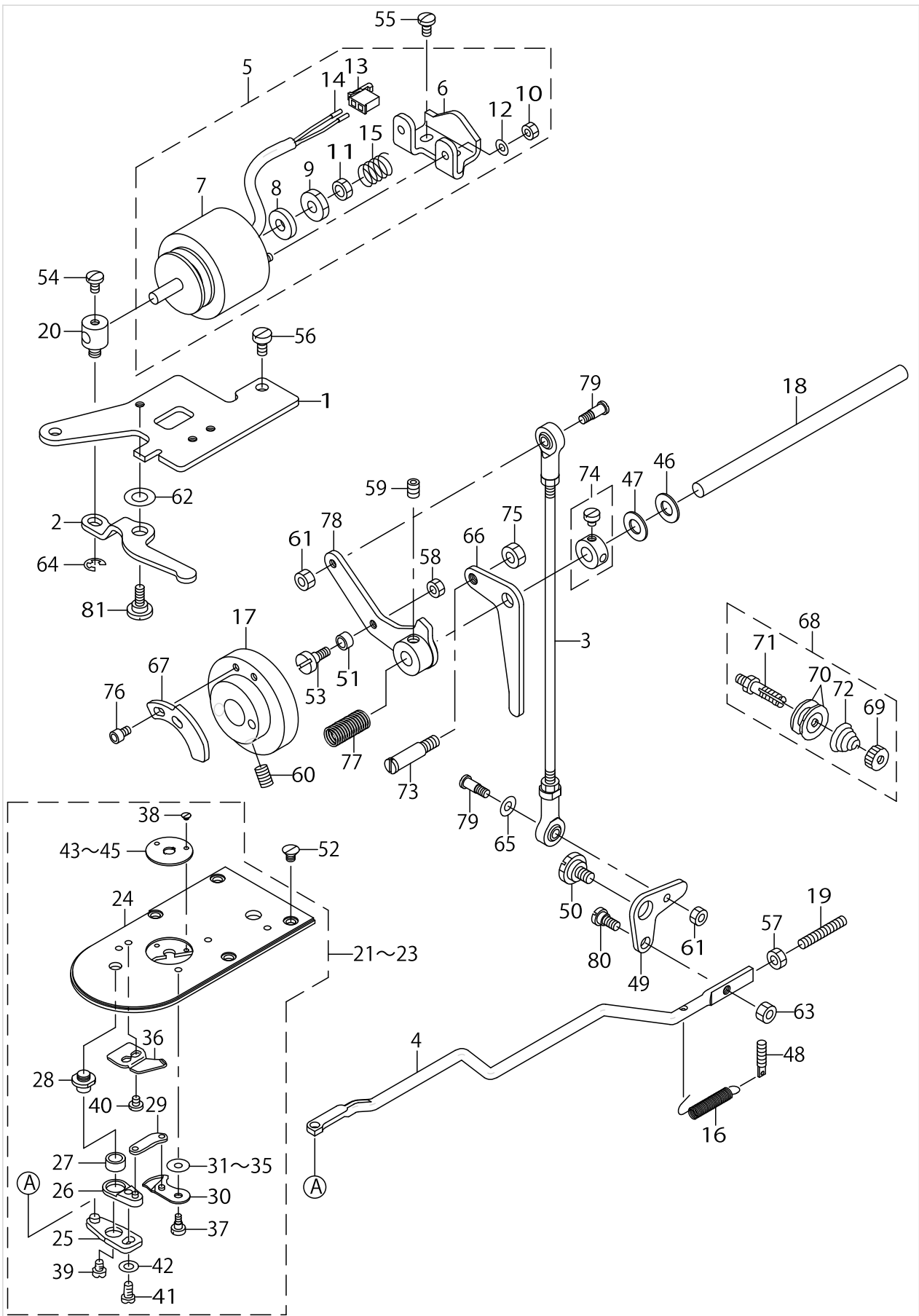


TENSION RELEASE & THREAD TENSION COMPONENTS

No.	Supply Code	Parts No.	Replacement	Parts name	Remarks	Choice	Step	Level	Cons	Qty	Rep. QTY
1		14107502		STOPPER						1	
2		14107700		CONNECTING BAR						1	
3		B2304210D00		TENSION RELEASE LINK						1	
4		26500900		TENSION RELEASE ADJUSTING ARM						2	
5		26501304		TENSION RELEASE BAR						1	
6	R	13513304	26218404	THREAD TENSION ARM						1	1.00
7		B2545280000		PRESSURE SPRING						1	
8		WP0482086SD		WASHER 4.8X11.5X2						1	
9		B23022800A0		SECOND THREAD TENSION ASM.	FOR LK-19-00SS,FS,M-S,SA,FA,MA					1	
10		B23022050A0		TENSION CONTROLLER NO.2 ASM.	FOR LK-1900HS,HA					1	
11		B2302280000		SECOND THREAD TENSION ROD				*		1	
12		SS8090610SP		SCREW 9/64-40 L=5.9				*		1	
13		B2313280000		THREAD TENSION ROD, LARGE				*		1	
14		B3107804000		THREAD TENSION DISK PRESSER				*		1	
15		B3112761000		THREAD TAKE-UP SPRING				*		1	
16		D3112L4BB00		TAKE-UP SPRING (HEAVY)				*		1	
17		B3114232000		THREAD TENSION SPRING				*		1	
18		B3129053000		TENSION SPRING				*		1	
19	R	B3119771000	13817408	THREAD TENSION NUT				*		1	1.00
20		B3120125000		ROTATING STOPPER				*		1	
21	R	B3126012000	22921506	THREAD TENSION DISK				*		2	1.00
22		B3132552000		THREAD TENSION DISK PRESSER				*		1	
23		B2303280000		TENSION RELEASE PIN						1	
24	R	B3413552000	26229302	SUSPENSION SCREW						1	1.00
25		SD0530221SP		HINGE SCREW D= 5.3 H= 2.2						1	
26		SD0720321TP		HINGE SCREW						1	
27		SD0640391TP		HINGE SCREW D= 6.35 H= 3.9						1	
28		SD0640482SP		HINGE SCREW D= 6.35 H= 4.8						1	
29		SS6110810TP		SCREW 11/64-40 L=8						2	
30		SS4090515SP		SCREW 9/64-40 L=5						2	
31		SS7111120TP		SCREW						1	
32		SS6151812TP		SCREW 15/64-28 L=18						1	
33		NS6120310SP		NUT 3/16-28						1	
34		WP0651056SD		WASHER 6.5X11X1						1	



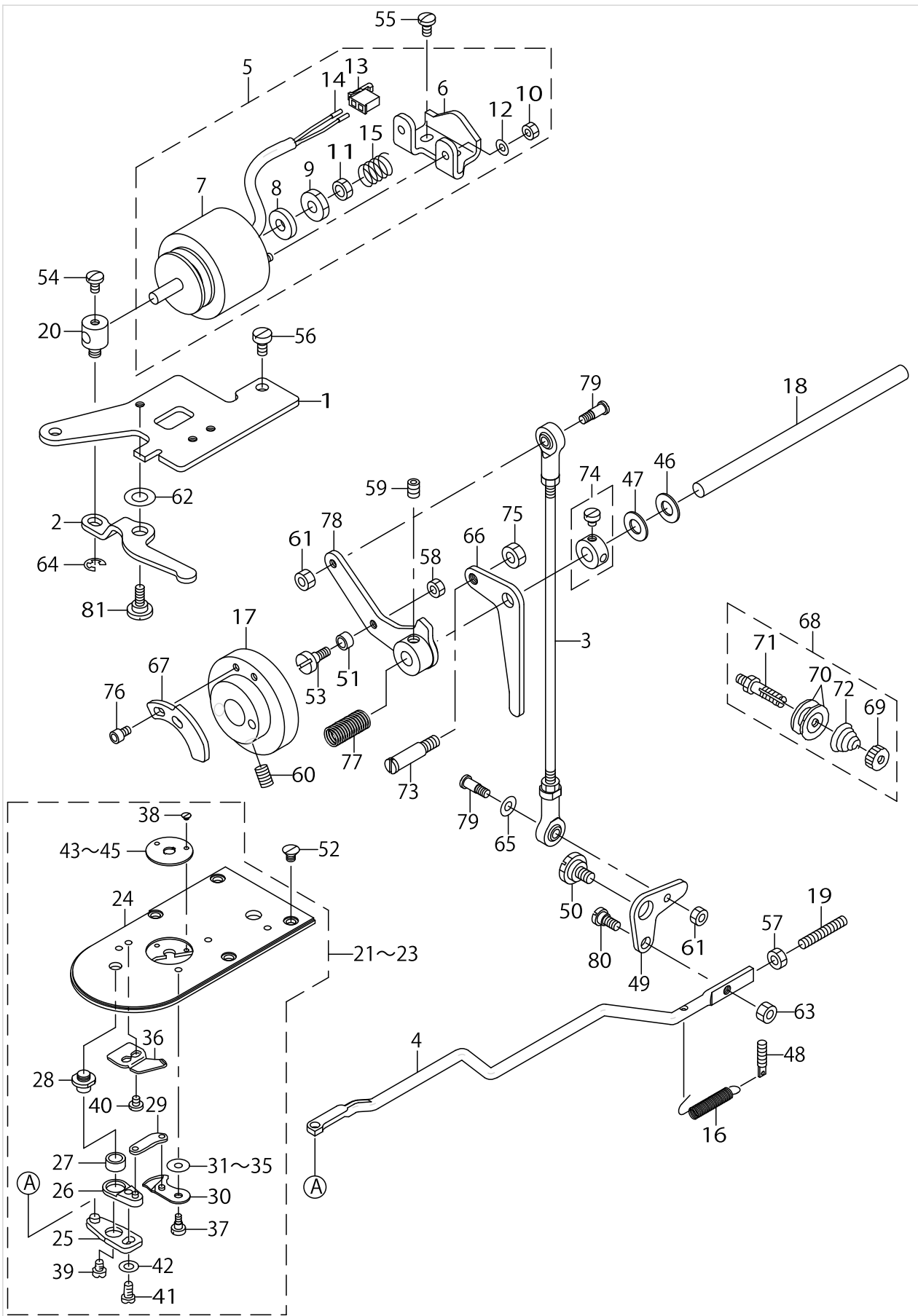
TENSION RELEASE & THREAD TRIMMER MECHANISM COMPONENTS



TENSION RELEASE & THREAD TRIMMER MECHANISM COMPONENTS

No.	Supply Code	Parts No.	Replacement	Parts name	Remarks	Choice	Step	Level	Cons	Qty	Rep. QTY
1		26501205		CAM FOLLOWER STOPPER						1	
2		14108500		SOLENOID ARM						1	
3		14108609		CONNECTING ROD						1	
4		26501908		CONNECTING BAR						1	
5	R	14108955	40104895	THREAD TRIMMING SOLENOID ASM.						1	1.00
6		14108807		SOLENOID INSTALLING BASE				*		1	
7		14108906		SOLENOID FOR TH-READ TRIMMING				*		1	
8		11043304		SOLENOID RUBBER				*		1	
9		NS6660410SH		NUT				*		1	
10		NM6040000SN		NUT M4				*		2	
11		NS6660430SP		NUT 1/4-40				*		1	
12		WP0450000SD		WASHER 4.5X8X0.5				*		2	
13		HK034610020		2-POLE NYLON PLUG				*		1	
14		HK034640000		PIN CONTACT				*		2	
15	R	B1652704000	31256803	SPRING				*		1	1.00
16		14109300		THREAD TRIM LINK SPRING						1	
17		B2401210D00		THREAD TRIMMER CAM						1	
18		B2408210D00		THREAD TRIMMER SHAFT						1	
19		SM8053002TP		SCREW M5 L=30						1	
20	R	11043007	22951008	SOLENOID PIN						1	1.00
21		14109755		NEEDLE PLATE ASM.,H	FOR LK-1900HS,HA					1	
22		13515556		NEEDLE PLATE ASM.	FOR LK-1900SS,SA					1	
23		13556154		NEEDLE PLATE ASM.,E						1	
24		13515507		NEEDLE PLATE				*		1	
25		B24142800A0		THREAD CUTTER L-EVER ASM., LARG				*		1	
26		B24152800A0		THREAD CUTTER L-EVER ASM., SMAL				*		1	
27		B2416280000		THREAD CUTTING LEVER RING				*		1	
28		B2417280000		THREAD CUTTER LEVER SHAFT				*		1	
29		B2418280000		MOVING KNIFE LINK				*		1	
30		B24212800A0		MOVING KNIFE ASM.				*		1	
31		B242328000A		MOVING KNIFE WASHER A	SELECTIVE PARTS			*		1	
32		B242328000B		MOVING KNIFE WASHER B	SELECTIVE PARTS			*		1	
33		B242328000C		MOVING KNIFE WASHER C	SELECTIVE PARTS			*		1	
34		B242328000D		MOVING KNIFE WASHER D	SELECTIVE PARTS			*		1	
35		B242328000E		MOVING KNIFE WASHER E	SELECTIVE PARTS			*		1	
36		B2424280000		FIXING KNIFE				*		1	
37		SD0500091TP		HINGE SCREW D= 5.0 H= 0.9				*		1	
38		SS1060210TP		SCREW 3/32-56 L=2.2				*		2	
39		SS6110430TP		SCREW 11/64-40 L= 4.0				*		1	
40		SS7090410SP		SCREW 9/64-40 L=3.5				*		2	
41		SS7110740TP		SCREW 11/64-40 L=7				*		1	
42		WP0450846SP		WASHER				*		1	
43		B2426280000		NEEDLE HOLE GUIDE	FOR LK-1900SS,SA			*		1	
44		14109607		NEEDLE HOLE GUIDE	FOR LK-1900HS,HA			*		1	
45		D2426282C00		NEEDLE HOLE GUIDE				*		1	

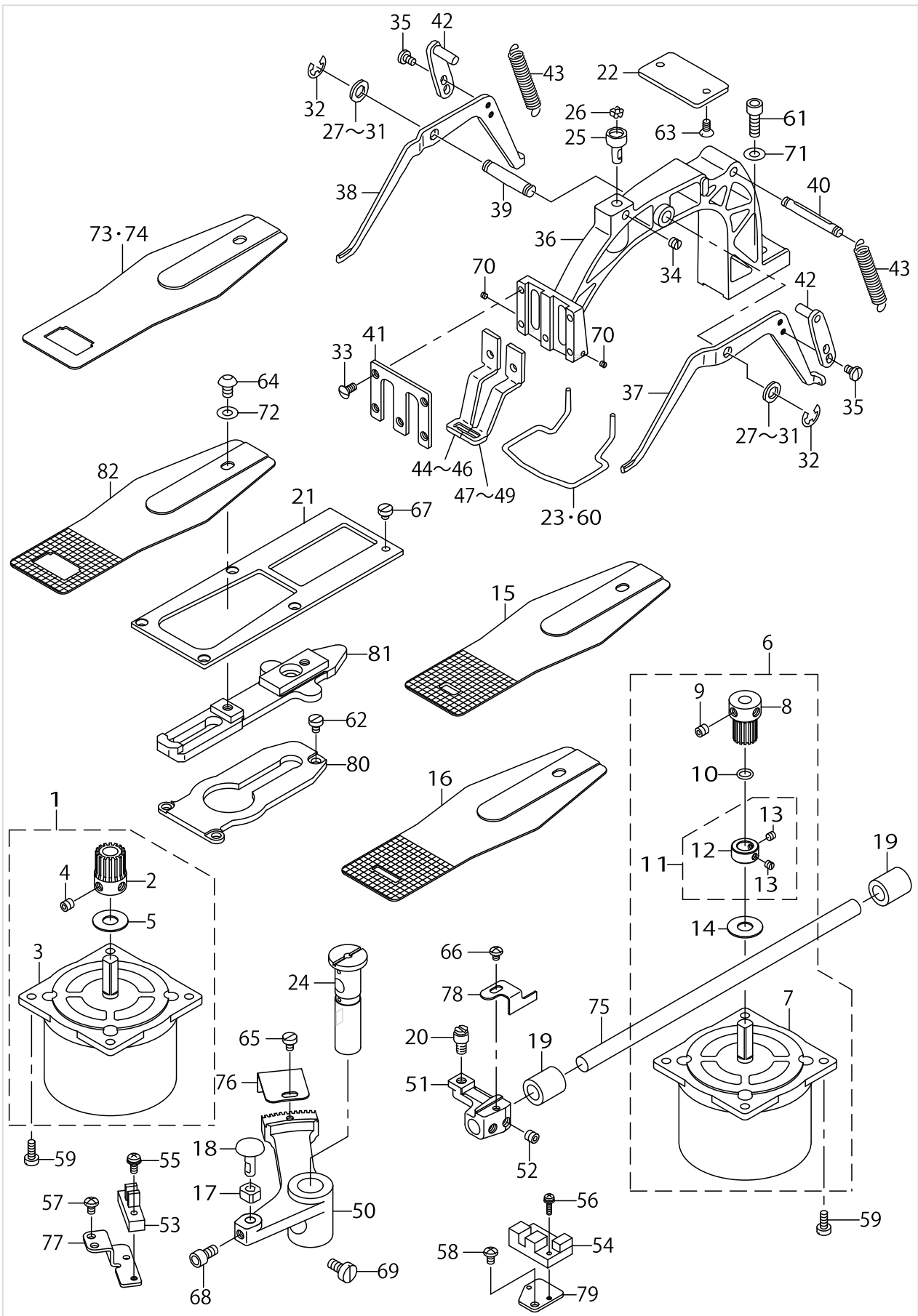
TENSION RELEASE & THREAD TRIMMER MECHANISM COMPONENTS



TENSION RELEASE & THREAD TRIMMER MECHANISM COMPONENTS

No.	Supply Code	Parts No.	Replacement	Parts name	Remarks	Choice	Step	Level	Cons	Qty	Rep. QTY
46		B1223771000		NEEDLE ROD CRANK WASHER						1	
47		B1116804000		CLOTH PLATE WASHER						1	
48	R	B1649161000	26226506	TENSION SPRING A-DJUSTING SCREW						1	1.00
49		B2411210000		THREAD TRIMMER LINK						1	
50		SD1100301TP		HINGE SCREW H=11 W=3						1	
51		D2587L8WB00		ROLLER						1	
52		SS1110640TP		SCREW 11/64-40 L= 5.5						4	
53		D2588L8WB00		ROLLER SHAFT						1	
54		SS7110740TP		SCREW 11/64-40 L=7						1	
55		SS7110840SP		SCREW 11/64-40 L=7.8						2	
56	R	SS6120930SP	SS6120930TP	SCREW 3/16-28 L=9						2	1.00
57		NM6050001SP		NUT M5						1	
58		NS6110420SP		NUT 11/64-40						1	
59		SS8150822TP		SCREW 15/64-28 L=8						1	
60		SS8661012TP		SCREW						2	
61		NS6110420SP		NUT 11/64-40						2	
62		WP0553216SD		WASHER						1	
63		NS6120310SP		NUT 3/16-28						1	
64		RE0500000K0		E-RING						1	
65		WP0501016SD		WASHER 5X10.5X1						1	
66		14107601		THREAD RELEASE ARM						1	
67		B2312210D00		TENSION RELEASE NOTCH						1	
68	R	B11152320A0	26218651	FIRST THREAD TENSION ASM.						1	1.00
69	D	A3125002000		TENSION NUT, NO.1				*		1	
70	R	B3126012000	22921506	THREAD TENSION DISK				*		2	1.00
71	R	B3123352000	26220400	THREAD TENSION ROD				*		1	1.00
72		B1115232000		FIRST THREAD TENSION SPRING				*		1	
73		26500504		TENSION RELEASE ARM PIN						1	
74		CS080081BSH		THRUST COLLAR ASM. D=8.0 W=8						1	
75		NS6150310SP		NUT 15/64-28						1	
76		SM6040602TP		SCREW M4 L=6						2	
77		B2617771000		TRIPPING LEVER T-ENSION SPRING						1	
78		14109250		CAMFOLLOWERASM.						1	
79		SD0500803TP		HINGESCREWD=5H=8						2	
80		SD0650305TP		HINGE SCREW D= 6.5 H= 3						1	
81		SD0790311TP		HINGE SCREW D= 7.94 H= 3.1						1	

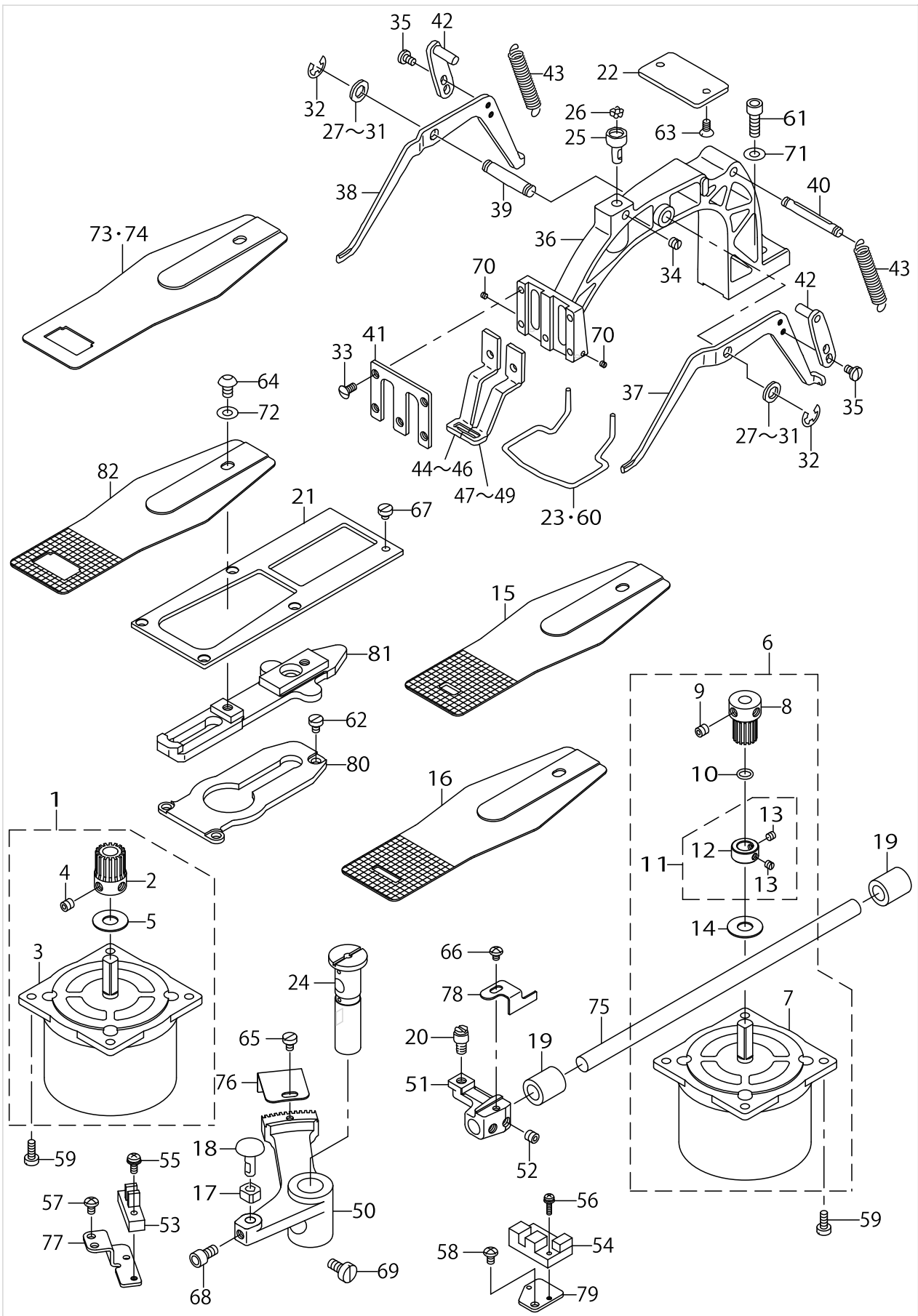
FEED MECHANISM COMPONENTS



FEED MECHANISM COMPONENTS

No.	Supply Code	Parts No.	Replacement	Parts name	Remarks	Choice	Step	Level	Cons	Qty	Rep. QTY
1	D	14112353		X FEED MOTOR ASM.						1	
2		26501403		X FEED GEAR				*		1	
3	D	14112304		X FEED STEPPING MOTOR				*		1	
4		SM8060612TP		SCREW M6 L=6				*		2	
5		14112502		RUBBER WASHER				*		1	
6	D	14112452		Y FEED MOTOR ASM.						1	
7	D	14112403		Y FEED STEPPING MOTOR				*		1	
8		26501502		Y FEED GEAR				*		1	
9		SM8060612TP		SCREW M6 L=6				*		2	
10		RO069180100		RUBBER RING				*		1	
11		CS095081ASH		THRUST COLLAR ASM. D=9.53 W=8				*		1	
12		CS0950817SH		THRUST COLLAR D=9.53 W=8				*		1	
13		SS8110410TP		SCREW 11/64-40 L= 3.5				*		2	
14		14112502		RUBBER WASHER				*		1	
15		14116206		FEED PLATE B	FOR LK-1900MS,MA					1	
16		13554803		FEED PLATE	FOR LK-1900HS,HA					1	
17		B1414232000		SQUARE BLOCK						1	
18	R	13517206	26223305	SLIDE BLOCK STUD						1	1.00
19		B2509704000		BUSHING, REAR						2	
20	R	13517404	26223503	HINGE STUD						1	1.00
21	D	26500603		CLOTH FEED PRESSER PLATE						1	
22		13518907		SUPPORT PLATE						1	
23	R	13533104	26224204	FINGER GUARDE	EXCEPT L- K-1900HS,HA					1	1.00
24	R	13516208	26222703	FEED DRIVING ARM SHAFT						1	1.00
25	R	B2548280000	26224808	BALL RETAINER						1	1.00
26		B2549280000		WORK CLAMP FOOT MOUNTING BASE						7	
27		B255728000A		WASHER A	SELECTIVE PART					2	
28		B255728000B		WASHER B	SELECTIVE PART					2	
29		B255728000C		WASHER C	SELECTIVE PART					2	
30		B255728000D		WASHER D	SELECTIVE PART					2	
31		B255728000E		WASHER	SELECTIVE PART					2	
32		RE0700000K0		E-RING 7						2	
33		SS2110930SP		SCREW 11/64-40 L=8.7						5	
34		SS8150510TP		SCREW 15/64-28 L= 4.7						1	
35		SS7110740TP		SCREW 11/64-40 L=7						4	
36		13517800		FEED BRACKET						1	
37		26204008		LIFTINGLEVERRIGHT						1	
38		26204107		LIFTING LEVER LEFT						1	
39	R	13518105	26223701	LIFTING LEVER SHAFT						1	1.00
40		13518501		SPRINGSUSPENSION						1	
41		26224105		WORK CLAMP FOOT FACE PLATE						1	
42		13518352		LEVER DRIVING PLATE ASM.						2	
43		14105407		CLOTH PRESSER SPRING						2	
44		13518600		WORK CLAMP FOOT, RIGHT	FOR LK-19- 00SS,FS,SA,FA					1	
45		13542915		WORK CLAMP FOOT, RIGHT	FOR LK-1900MS,MA					1	

FEED MECHANISM COMPONENTS

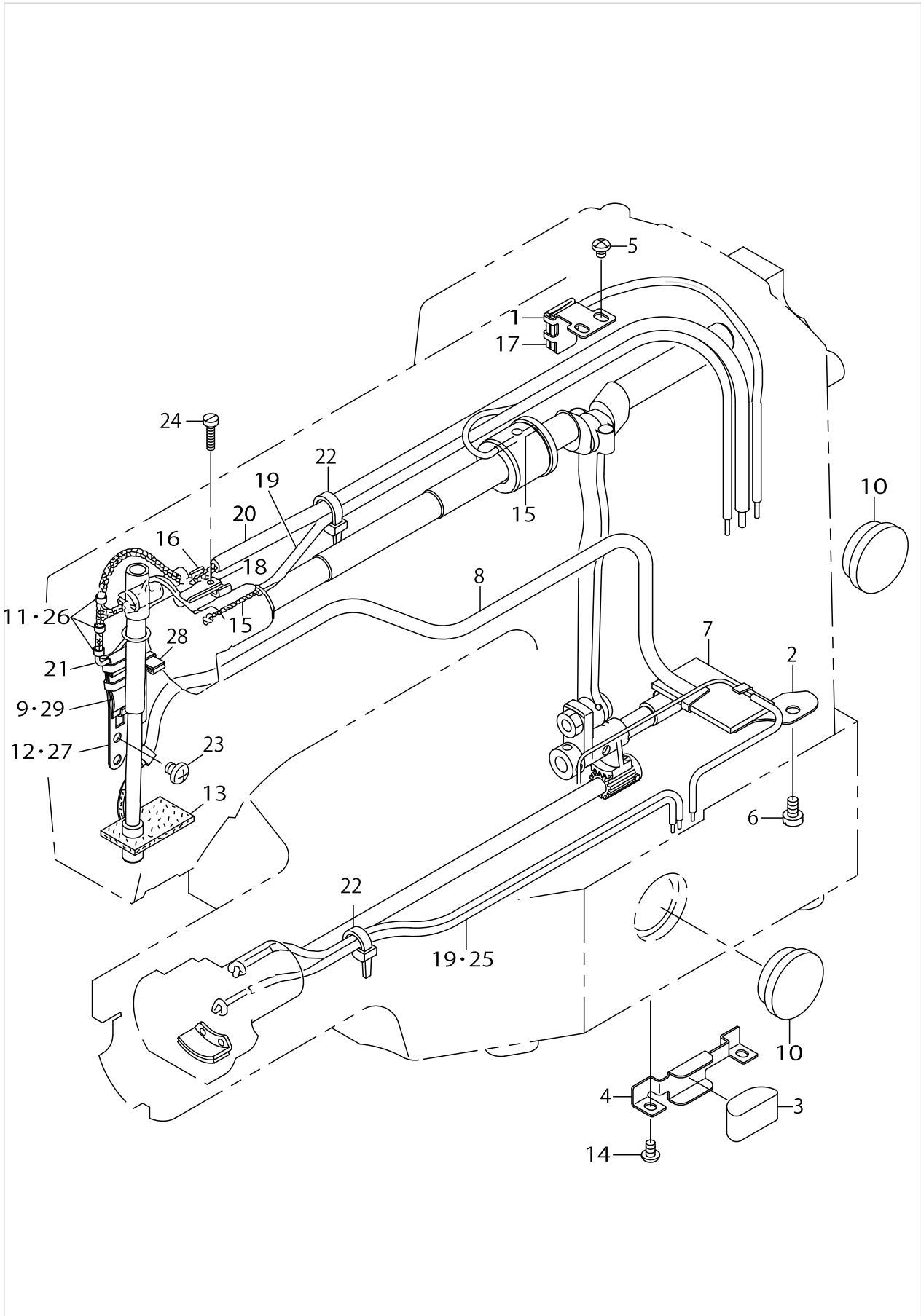


FEED MECHANISM COMPONENTS

No.	Supply Code	Parts No.	Replacement	Parts name	Remarks	Choice	Step	Level	Cons	Qty	Rep. QTY
46		13548102		WORK CLAMR FOOT. RIGHT	FOR LK-1900HS,HA					1	
47		13518709		WORK CLAMP FOOT, LEFT	FOR LK-19-00SS,FS,SA,FA					1	
48		13543012		WORK CLAMP FOOT, LEFT	FOR LK-1900MS,MA					1	
49		13548201		WORK CLAMR FOOT LEFT	FOR LK-1900HS,HA					1	
50		14110001		CROSSFEED ARM						1	
51	R	26500009	SM6040650TP	Y FEED ARM		A				1	1.00
51	R	26500009	SM8480652TP	Y FEED ARM		A				1	2.00
51	R	26500009	40042897	Y FEED ARM		A				1	1.00
52		SS8660612TP		SCREW 1/4-40 L=6						2	
53		HD002230000		PHOTO SENSOR						1	
54		HD00057000A		PHOTO SENSOR						1	
55		SL4041291SC		SCREW M4 L=12						1	
56		SL4031291SC		SCREW M3X12						1	
57		SS4110715SP		SCREW 11/64-40 L=7						2	
58		SS4110715SP		SCREW 11/64-40 L=7						1	
59		SS6111140SP		SCREW11/64-40L=11						8	
60		13548300		FINGER GUARD	FOR LK-1900HS,HA					1	
61		SM6061802TP		SCREW M6 L=18						1	
62		SS6110610TP		SCREW 11/64-40 L=6						3	
63		SS2110920TP		SCREW 11/64-40 L=8.5						2	
64		SM3061052TP		SCREW M6 L=10						1	
65		SS6110610TP		SCREW 11/64-40 L=6						1	
66		SS4110515SP		SCREW 11/64-40 L=5						1	
67		SS6110420TP		SCREW 11/64-40 L=4.8						6	
68		SS6151142TP		SCREW 15/64-28 L=10.5						1	
69		SS6151220SP		SCREW 15/64-28 L=11.5						1	
70		SS8080310TP		SCREW 1/8-44 L=2.8						2	
71		WP0621016SD		WASHER 6.2X13X1						1	
72		WP0621016SD		WASHER 6.2X13X1						1	
73		14116404		FEED PLATE D	FOR LK-19-00FS,FA(FOR JE)					1	
74		14116800		FEED PLATE H	FOR LK-19-00FS,FA(E-XCEPT JE)					1	
75		14110209		LENGTHWISE FEED SHAFT						1	
76		14111504		CROSSFEED SENSOR SLIT						1	
77		14111702		SENSOR INSTALLING BASE						1	
78		14136402		LENGTHWISE FEED SENSOR SLIT						1	
79	R	14111801	40028986	SENSOR INSTALLING BASE						1	1.00
80		26500108		CLOTH FEED SUPPORT PLATE						1	
81	D	14110811		CLOTH FEED PLATE						1	
82		14116107		FEED PLATE A	FOR LK-1900SS,SA					1	



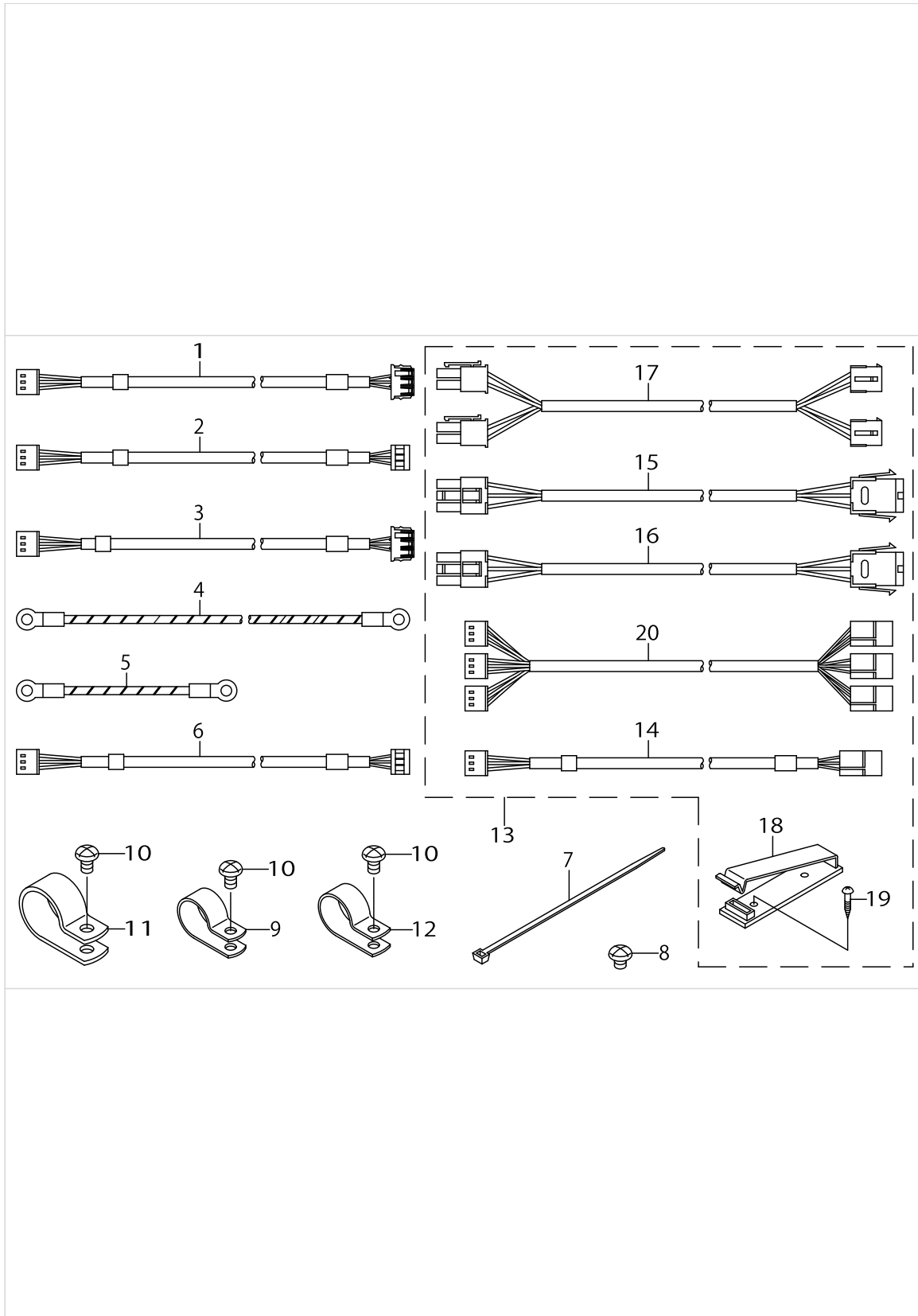
LUBRICATION COMPONENTS



LUBRICATION COMPONENTS

No.	Supply Code	Parts No.	Replacement	Parts name	Remarks	Choice	Step	Level	Cons	Qty	Rep. QTY
1		14114102		OIL SHIELD						1	
2		14114904		OIL SHIELD						1	
3		14114300		OIL FELT						1	
4		14114409		FELT PRESSER						1	
5		SS4110515SP		SCREW 11/64-40 L=5						2	
6	R	SS6120930SP	SS6120930TP	SCREW 3/16-28 L=9						1	1.00
7		B3509210D00		OIL FELT						1	
8		13529003		ONCE THROUGH OIL FELT						.56	
9		B3509220000		OIL SPONGE	FOR LK-19-00FS,MS,F-A,MA, LK--1903,LK-1904					1	
10		B3501210000		OIL GAUGE						2	
11		26230706		OIL WICK PRESSER	FOR LK-19-00FS,MS,F-A,MA, LK--1903,LK-1904					3	
12	D	B3506280000		OIL WICK PRESSER	FOR LK-19-00FS,MS,F-A,MA, LK--1903,LK-1904					1	
13		14114607		FACE FELT						1	
14		SS4110715SP		SCREW 11/64-40 L=7						2	
15		CQ200000000		OIL WICK						3	
16	R	B3508280000	26231407	BALANCE LUBRICATING PLATE						1	1.00
17		B3509280000		NEEDLE ROD CRANK LUBRICATING						1	
18		B3518280000		BALANCE LUBRICATING	FOR LK-19-00FS,MS,F-A,MA, LK--1903,LK-1904					1	
19		BP300000100		VINYL TUBE						.7	
20		BP600000000		VINYL PIPE						.72	
21		CQ252200000		OIL WICK						1.6	
22		EA9500B0100		CABLE BAND						2	
23		SS4110715SP		SCREW 11/64-40 L=7						2	
24		SS6092120SP		SCREW 9/64-40 L=21.2						1	
25		CQ202000000		OIL WICK						1.06	
26	R	B1419026000	26230706	OIL WICK PRESSER	FOR LK-19-00SS,HS,S-A,HA, LK-1-901,LK-1902					2	1.00
27		14114805		OIL WICK PRESSER	FOR LK-19-00SS,HS,S-A,HA, LK-1-901,LK-1902					1	
28		B3518280000		BALANCE LUBRICATING	FOR LK-19-00SS,HS,S-A,HA, LK-1-901,LK-1902					1	
29		B3509280000		NEEDLE ROD CRANK LUBRICATING	FOR LK-19-00SS,HS,S-A,HA, LK-1-901,LK-1902					1	

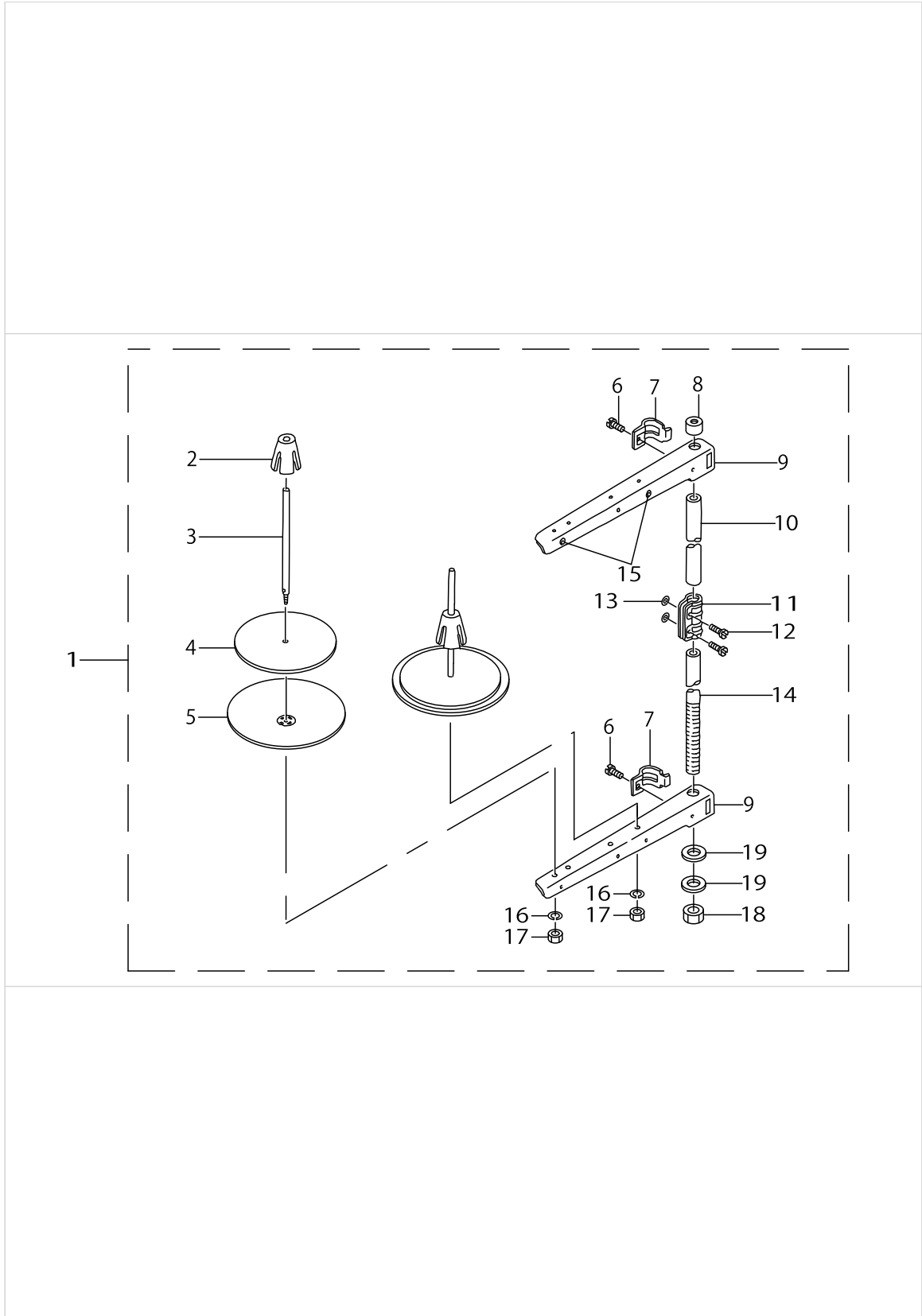
# SENSOR & EXTENSION CABLE COMPONENTS



SENSOR & EXTENSION CABLE COMPONENTS

No.	Supply Code	Parts No.	Replacement	Parts name	Remarks	Choice	Step	Level	Cons	Qty	Rep. QTY
1		14115158		X SENSOR CABLE ASM.						1	
2	D	14115257		Y SENSOR CABLE ASM.						1	
3		14115356		MAIN SHAFT SENSOR CABLE ASM.						1	
4		14115554		HEAD GROUND CABLE A ASM.						1	
5		14115653		HEAD GROUND CABLE B ASM.						1	
6	D	14115455		OUTER PRESSER S- SENSOR CABLE ASM						1	
7		EA9500B0100		CABLE BAND						1	
8		SS4110515SP		SCREW 11/64-40 L=5						3	
9		HX00150000G		CABLE CLIP						1	
10		SS4110715SP		SCREW 11/64-40 L=7						3	
11		HX00150000L		CABLE CLIP						1	
12		HX00150000H		CABLE CLIP						1	
13		M85985900A0		EXTENSION CABLE COMPL. ASM.	FOR JUS,LK-1902					1	
14		M90475900A0		SENSOR EXTENSION CABLE ASM.				*		1	
15		M90415900A0		EXTENSION CABLE ASM.				*		1	
16		M90425900A0		EXTENSION CABLE ASM.				*		1	
17		M90435900A0		SOLENOID EXTENSION CABLE ASM.				*		1	
18		M964051000A		CABLE CLIP				*		1	
19		SK3382001SE		SCREW D=3.8 L=20				*		2	
20		M90445900A0		SENSOR EXTENSION CABLE ASM.				*		1	

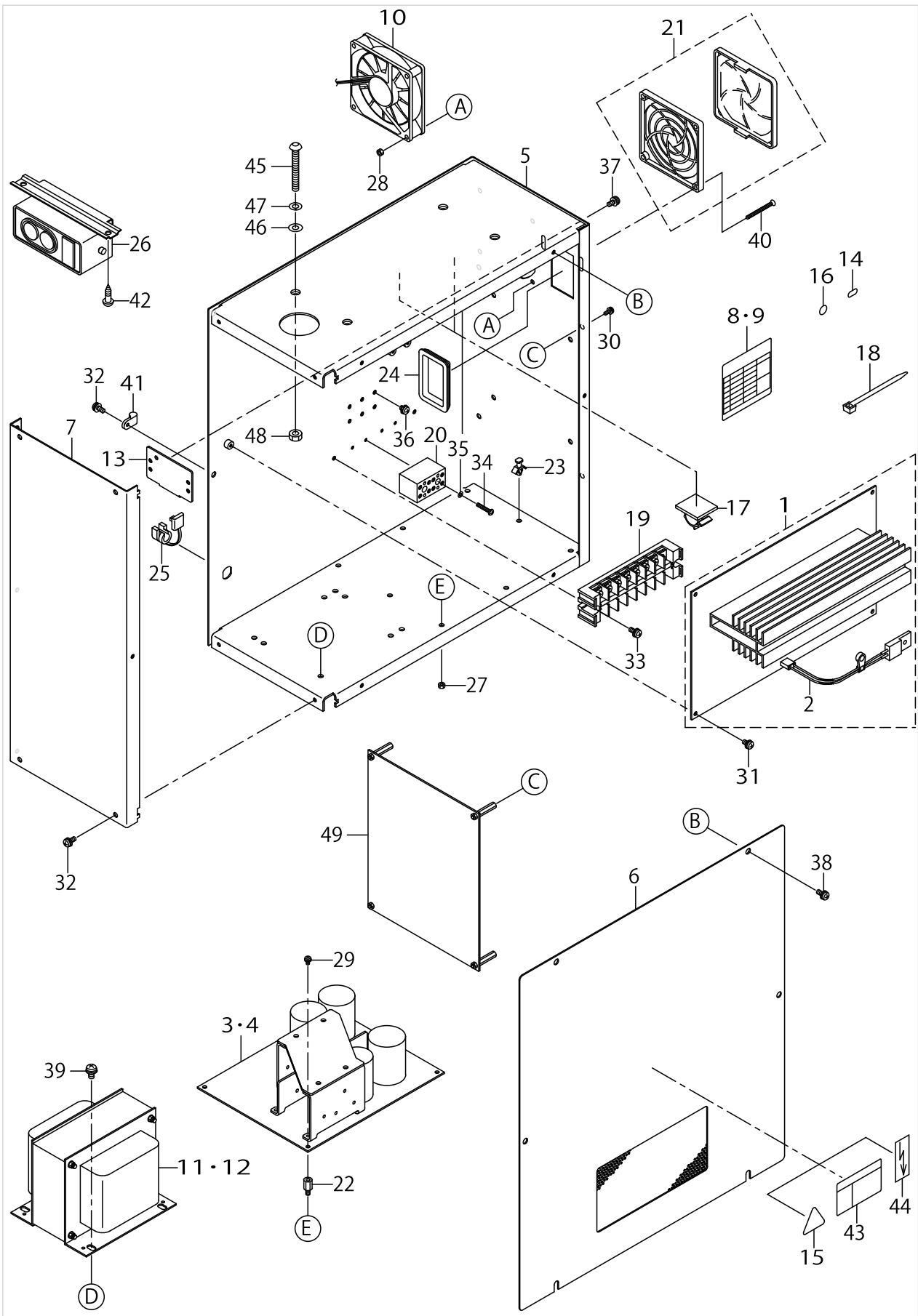
# THREAD STAND COMPONENTS



THREAD STAND COMPONENTS

No.	Supply Code	Parts No.	Replacement	Parts name	Remarks	Choice	Step	Level	Cons	Qty	Rep. QTY
1	R	22930358	40096354	THREAD STAND ASM.						1	1.00
2	R	22931109	40085791	SPOOL RETAINER				*		2	1.00
3	R	22931000	40085790	SPOOL PIN				*		2	1.00
4		22930903		SPOOL REST CUSHION				*		2	
5		22930804		SPOOL REST				*		2	
6		SM6061610SC		SCREW M6 L=16				*		2	
7	R	22930705	40096354	THREAD GUIDE ARM JOINT				*		2	1.00
8		22931406		SPOOL REST ROD RUBBER CAP				*		1	
9	R	22930507	40096354	SPOOL REST ARM				*		2	1.00
10	R	22930408	40096354	SPOOL REST ROD, UPPER				*		1	1.00
11	R	22931307	40096354	SPOOL REST ROD JOINT				*		1	1.00
12		SM4051405SE		SCREW M5 L=14				*		2	
13		NM6050001SE		NUT M5				*		2	
14	R	22930309	40096354	SPOOL REST ROD, LOWER				*		1	1.00
15		22931208		THREAD GUIDE				*		2	
16		WS0510002KN		SPRING WASHER				*		2	
17		NM6050001SE		NUT M5				*		2	
18		NM6160511SE		NUT M16X1.5				*		1	
19		WP1702600S0		WASHER 17X30X2.6				*		2	

CONTROL BOX COMPONENTS

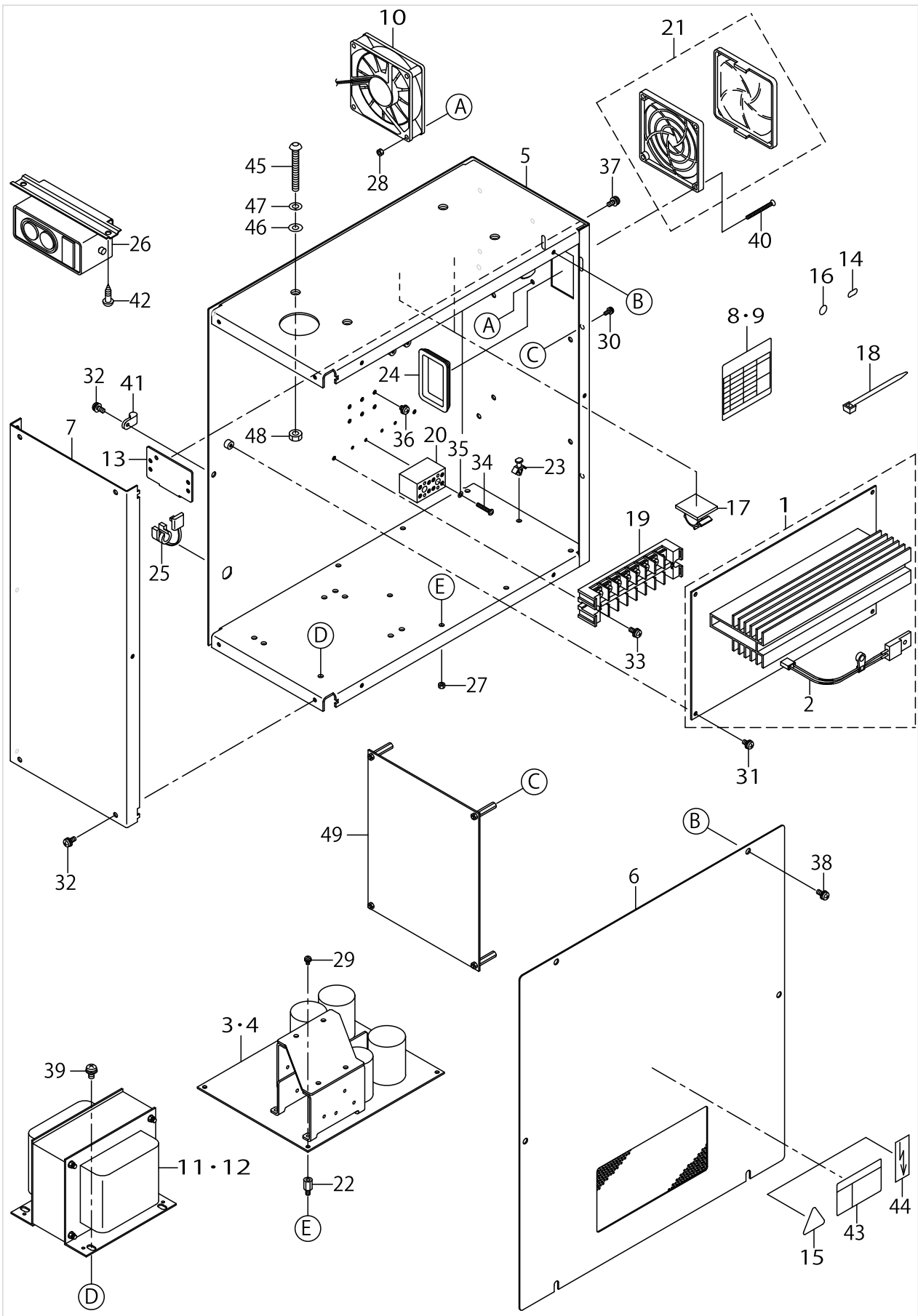


CONTROL BOX COMPONENTS

No.	Supply Code	Parts No.	Replacement	Parts name	Remarks	Choice	Step	Level	Cons	Qty	Rep. QTY
1	D	M8601590AA0		MAIN CIRCUIT BOARD ASM., A						1	
2		M89105900A0		THERMOSTAT ASM.				*		1	
3	R	M86045900A0	40008075	POWER CIRCUIT BOARD ASM.	FOR 100V-200V					1	1.00
4	R	M8604590AA0	40008076	POWER CIRCUIT BOARD ASM., A	FOR 380V					1	1.00
5	R	M1001590000	40098641	CONTROL BOX						1	1.00
6	R	M10025800A0	40098646	CONTROL BOX COVER ASM.						1	1.00
7	R	M1003590000	40098642	CONTROL BOX PANEL						1	1.00
8		M300359000A		SEAL A	FOR 100V-200V					1	
9		M300258000B		SEAL B	FOR 380V					1	
10		M85405900A0		FAN ASM.						1	
11		M8901590AA0A		POWER TRANSFORMER A ASM.	FOR 100V-200V					1	
12		M8901590BA0A		POWER TRANSFORMER B ASM.	FOR 380V					1	
13		17845009		CORDFITTINGPLATE						1	
14		CM200100001		PE MARK LABEL	FOR 380V					1	
15		CM300100001		LABEL	FOR 380V					1	
16		E9567319000		EARTH MARK						1	
17		E9609603000		STICKER (LARGE)						2	
18		EA9500B0100		CABLE BAND						1	
19		HK026650080		TERMINAL BASE 8P	FOR 100V-200V					1	
20		HK054250040		TERMINAL BASE	FOR 380V					2	
21		HM000860010		FAN FILTER						1	
22		HX00056000B		SPACER						4	
23		HX00147000C		SPACER						4	
24		HX004070000		BUSH						1	
25		HX004100000		BUSH						1	
26		HA004250000		SWITCH	EXCEPT JE					1	
27		NM3034000SF		FLANGE NUT						4	
28		NM6030003SC		NUT M3						2	
29		SL4030681SF		SCREW M3 L=6						4	
30		SL4030891SC		SCREW M3X8						4	
31		SL4040881SF		SCREW M4 L=8						4	
32		SL4041091SC		SCREW M4 L=10						7	
33		SL4041081SF		SCREW M4 L=10	FOR 100V-200V					2	
34		SM4031851SR		SCREW	FOR 380V					4	
35		WS0310702KS		SPRING WASHER	FOR 380V					4	
36		SL4040681SC		COMBINATION SCREW M4 X 8						4	
37		SL4041091SC		SCREW M4 L=10						2	
38		SL4041091SC		SCREW M4 L=10						6	
39		SL4051091SC		SCREW M5X0.8 L=10						4	
40		SM1033501SC		SCREW M3X0.5 L=35						2	
41		HX00123000B		CABLE CLIP						1	
42		SK3482001SE		WOOD SCREW D=4.8 L=20	EXCEPT JE					2	
43		CM300100101		DANGER LABEL (SMALL)	FOR 100V-- 200V(USE IN JAPAN)					1	
44		G6705152U0A		LABEL	FOR 100V-- 200V(EXPORT)					1	
45		SM3065052TC		SCREW						4	



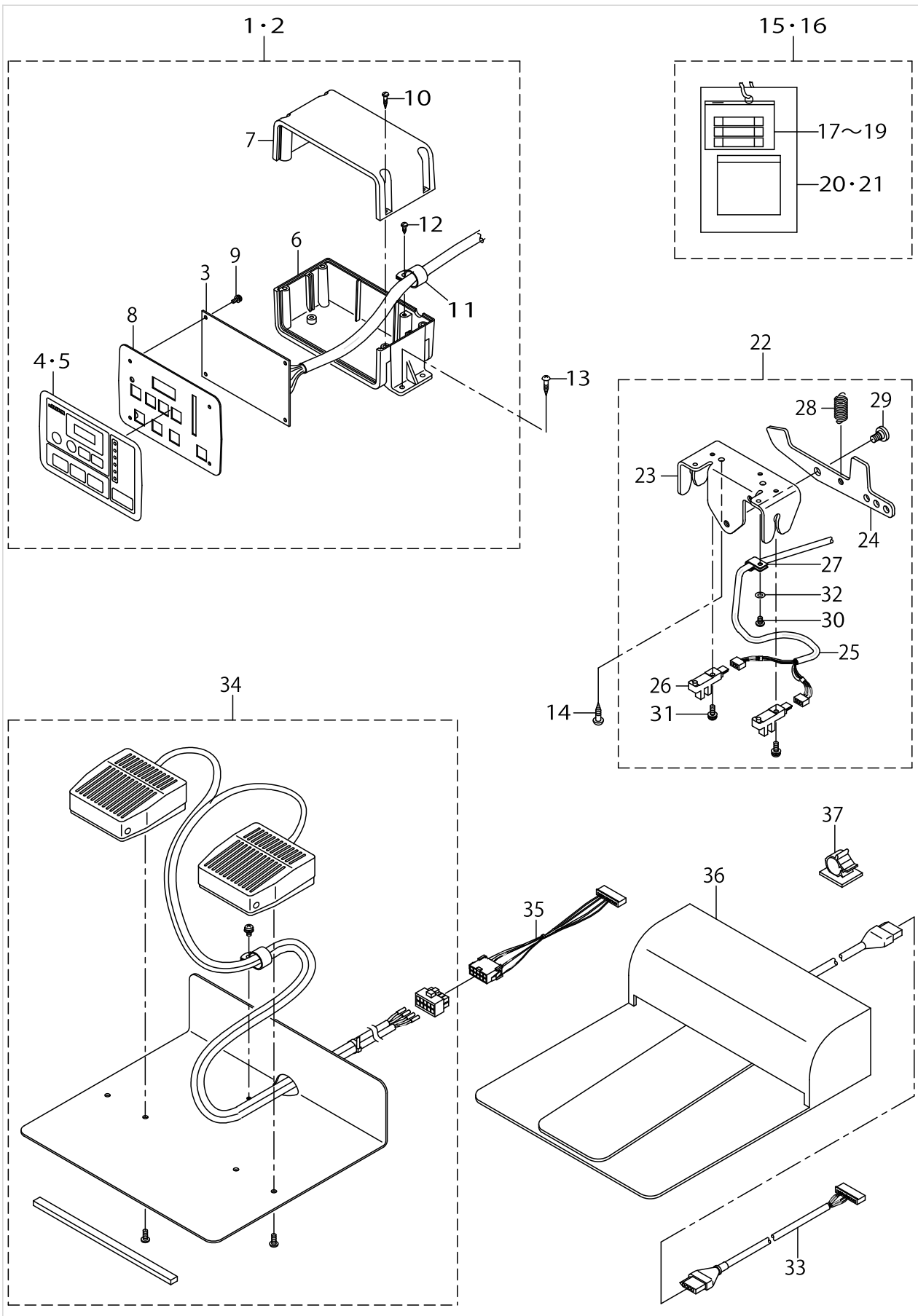
CONTROL BOX COMPONENTS



CONTROL BOX COMPONENTS

No.	Supply Code	Parts No.	Replacement	Parts name	Remarks	Choice	Step	Level	Cons	Qty	Rep. QTY
46		WP0651001SC		WASHER						4	
47		WS0610002KN		SPRING WASHER 6.1X12.2X1.5						4	
48		NM6060001SE		NUT M6						4	
49	D	M8612590AA0		SERVO CIRCUIT BOARD A ASM.						1	

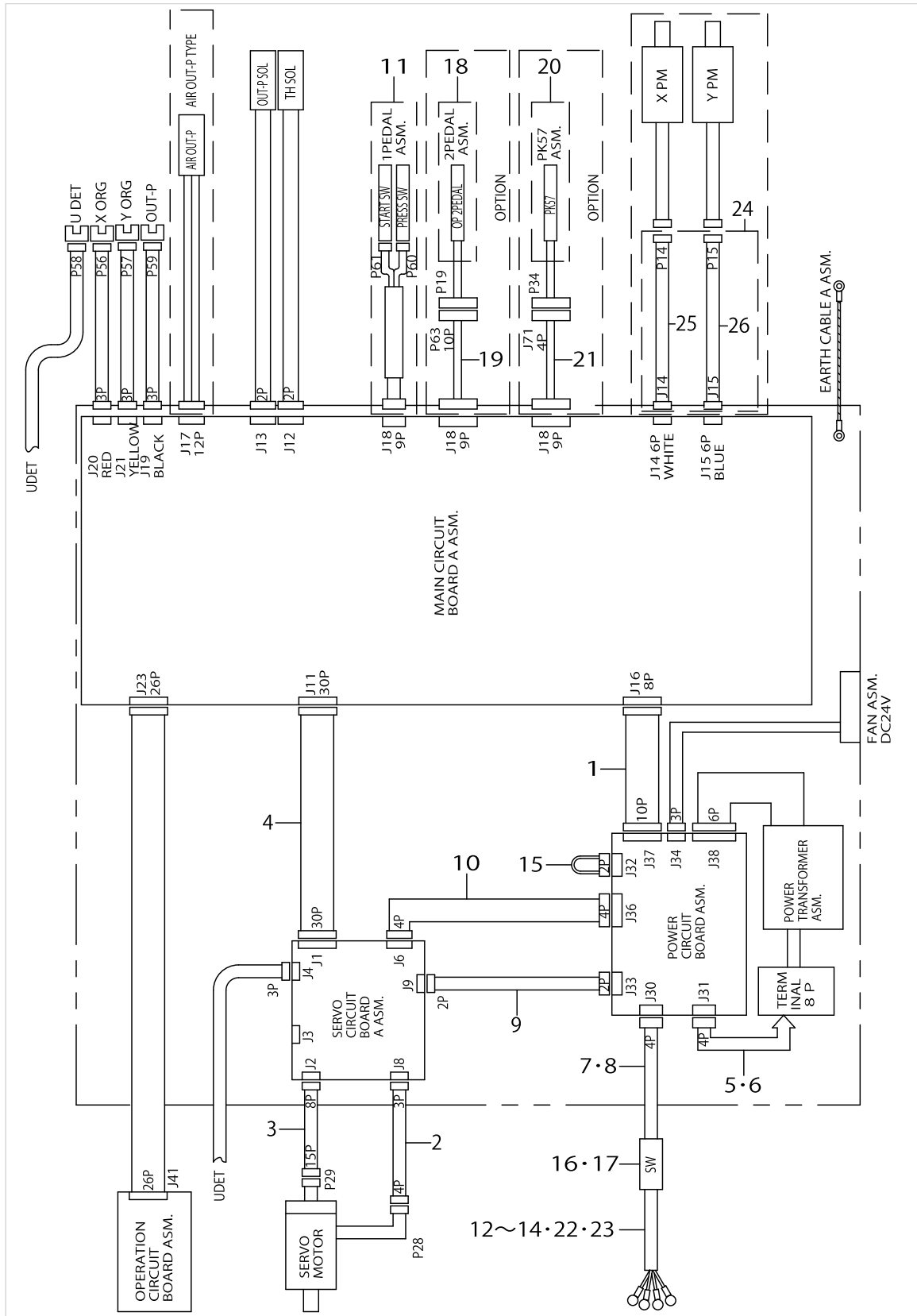
OPERATION BOX & PEDAL COMPONENTS



OPERATION BOX & PEDAL COMPONENTS

No.	Supply Code	Parts No.	Replacement	Parts name	Remarks	Choice	Step	Level	Cons	Qty	Rep. QTY
1	D	M8510590AA0		OPERATION BOX A ASM.	FOR USE IN JAPAN					1	
2	D	M8510590BA0		OPERATION BOX B ASM.	FOR EXPORT					1	
3	D	M86065900A0		OPERATION CIRCUIT BOARD ASM.				*		1	
4		M300259000A		OPERATION PANEL SHEET(JAPAN)	FOR USE IN JAPAN			*		1	
5		M300259000B		OPERATION PANEL SHEET(ENG)	FOR EXPORT			*		1	
6		M1010590000		OPERATION BOX A				*		1	
7		M1011590000		OPERATION BOX B				*		1	
8	D	M1012590000		OPERATION PANEL PLATE				*		1	
9		SL4030881SF		SCREW M3 L=8				*		4	
10		ST40316110R		TAPPING SCREW D=3 L=16				*		4	
11		EA9502B0500		CABLE CLIP				*		1	
12		SV4031006SR		SCREW M3 L=10				*		1	
13		SK3382001SE		SCREW D=3.8 L=20						4	
14		SK3482001SE		WOOD SCREW D=4.8 L=20						2	
15		M85995900A0		ACCESSORIES PART ASM.	FOR 100V-200V					1	
16		M8599590AA0		ACCESSORIES PART A ASM.	FOR 380V					1	
17		HF001301000		TIMING LAG FUSE				*		1	
18		HF0041080P0		FUSE 8A				*		1	
19		E8523304000		FUSE 10A				*		1	
20		M300451100A		VOLTAGE INDICATION CARD,A	FOR 100V-200V			*		1	
21		M3003580000		VOLTAGE INDICATION CARD,B	FOR 380V			*		1	
22		M85205900A0		1-PEDAL ASM.						1	
23		M1030590000		PEDAL SWITCH FRAME				*		1	
24		M1031590000		PEDAL SWITCH LEVER				*		1	
25		M90115900A0		PEDAL SWITCH CABLE ASM.				*		1	
26		HD002230000		PHOTO SENSOR				*		2	
27		HX001230000		CABLE CLIP				*		1	
28		B2583210D00		SPRING				*		1	
29		SD0800331TH		HINGE SCREW D=8 H=3.25				*		1	
30		SM4040601SC		SCREW M4X0.7 L=6				*		1	
31		SL4041291SC		SCREW M4 L=12				*		2	
32		WP0430801SC		WASHER 4.3X9X0.8				*		1	
33		M90135900A0		PK57 TRANSFER CABLE ASM.	OPTIONAL PARTS					1	
34		M85205800A0		2-PEDAL ASM.	OPTIONAL PARTS					1	
35		M90125900A0		PEDAL SWITCH CH-ANGE CABLE ASM.	OPTIONAL PARTS					1	
36		GPK570010B0		PEDAL SWITCH ASM.	OPTIONAL PARTS					1	
37		E9607603000		STICKER (SMALL)	OPTIONAL PARTS					2	

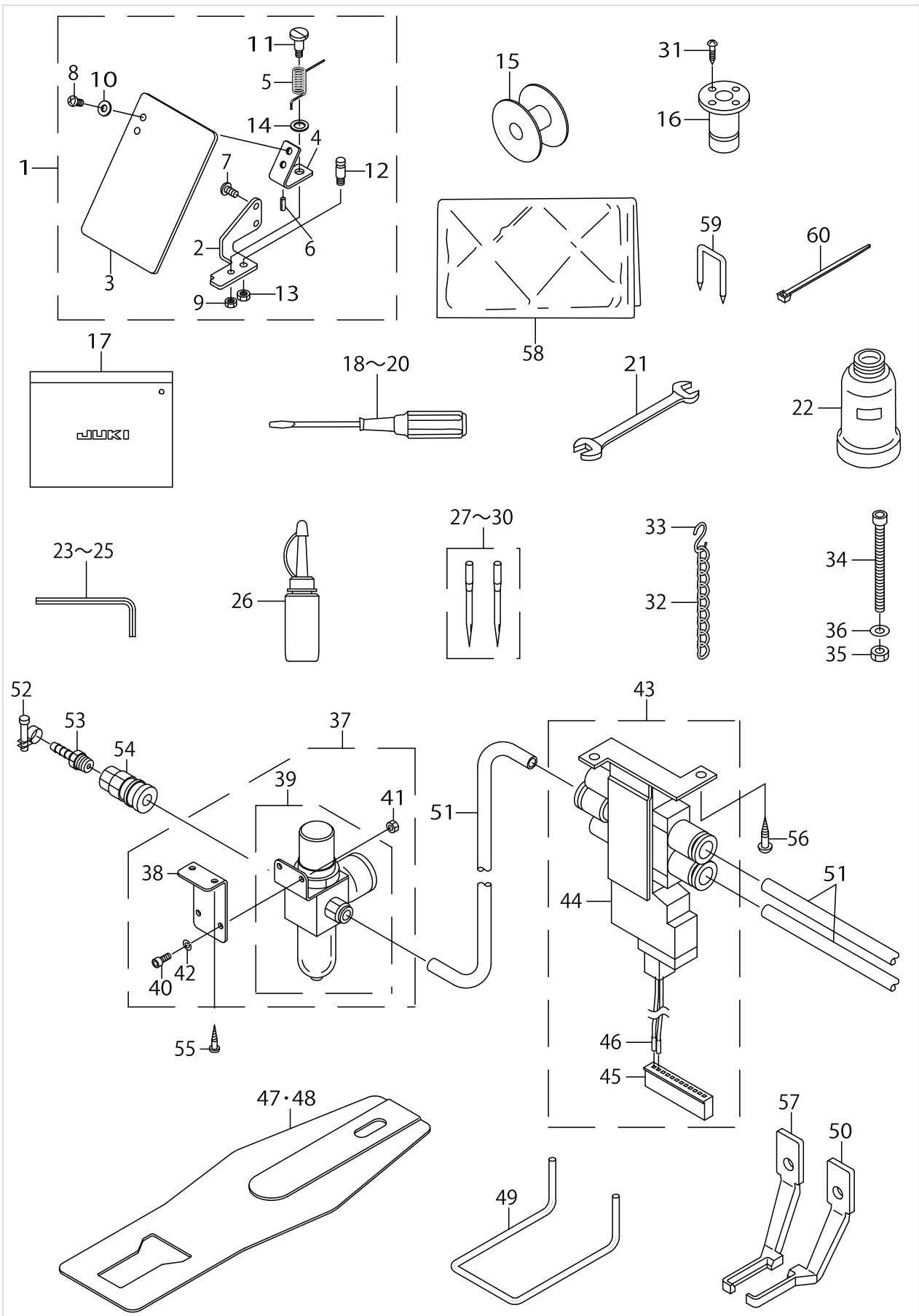
# WIRING DIAGRAM



WIRING DIAGRAM

No.	Supply Code	Parts No.	Replacement	Parts name	Remarks	Choice	Step	Level	Cons	Qty	Rep. QTY
1		M90015900A0		MAIN POWER CORD ASM.						1	
2		M90035900A0		SERVO MOTOR CABLE ASM.						1	
3		M90045900A0		ENCODER CONNEC- TING CABLE ASM.						1	
4		M90085800A0		SERVO SIGNAL CORD ASM.						1	
5		M90205800A0		TRANSFORMER PO- WER CORD ASM.	FOR 100V-200V					1	
6		M9020580AA0		TRANSFORMER PO- WER CORD ASM.,A	FOR 380V					1	
7		M90225900A0		POWER CORD ASM.	FOR 100V-200V					1	
8		M90235900A0		POWER CORD A ASM.	FOR 380V					1	
9		M90025800A0		SERVO POWER CORD ASM.,B						1	
10		M90315900A0		SERVO POWER CORD ASM.,A						1	
11		M85205900A0		1-PEDAL ASM.						1	
12		M90175800A0		POWER CABLE ASM.	FOR 100V-- 200V(3-PH- ASE), 380V- (FOR EXPORT)					1	
13		M90285800A0		POWER CABLE ASM.	FOR MC-590-ΔM					1	
14		M90245800A0		POWER CABLE ASM.,100V	FOR 1-PH- ASE(FOR EXPORT)					1	
15		M90215800A0		VOLTAGE TRANSFER CORD ASM.	FOR 100V					1	
16		HA004250000		SWITCH	EXCEPT M- C-590-ΔM					1	
17	R	HA00303000A	M85065220A0	SWITCH	FOR MC-590-ΔM					1	1.00
18		M85205800A0		2-PEDAL ASM.	OPTIONAL PARTS					1	
19		M90125900A0		PEDAL SWITCH CH- ANGE CABLE ASM.	OPTIONAL PARTS					1	
20		GPK570010B0		PEDAL SWITCH ASM.	OPTIONAL PARTS					1	
21		M90135900A0		PK57 TRANSFER CABLE ASM.	OPTIONAL PARTS					1	
22		M90355800A0		POWER SOURCE CORD ASM.	FOR 100V(- FOR USE IN JAPAN)					1	
23		M90345800A0		GROUND CORD ASM.	FOR 100V(- FOR USE IN JAPAN)					1	
24		M85975900A0		CABLE WHOLE ASM.						1	
25		M90515900A0		CABLE ASM.				*		1	
26		M90525900A0		CABLE ASM.				*		1	

ACCESSORIE PART COMPONENTS

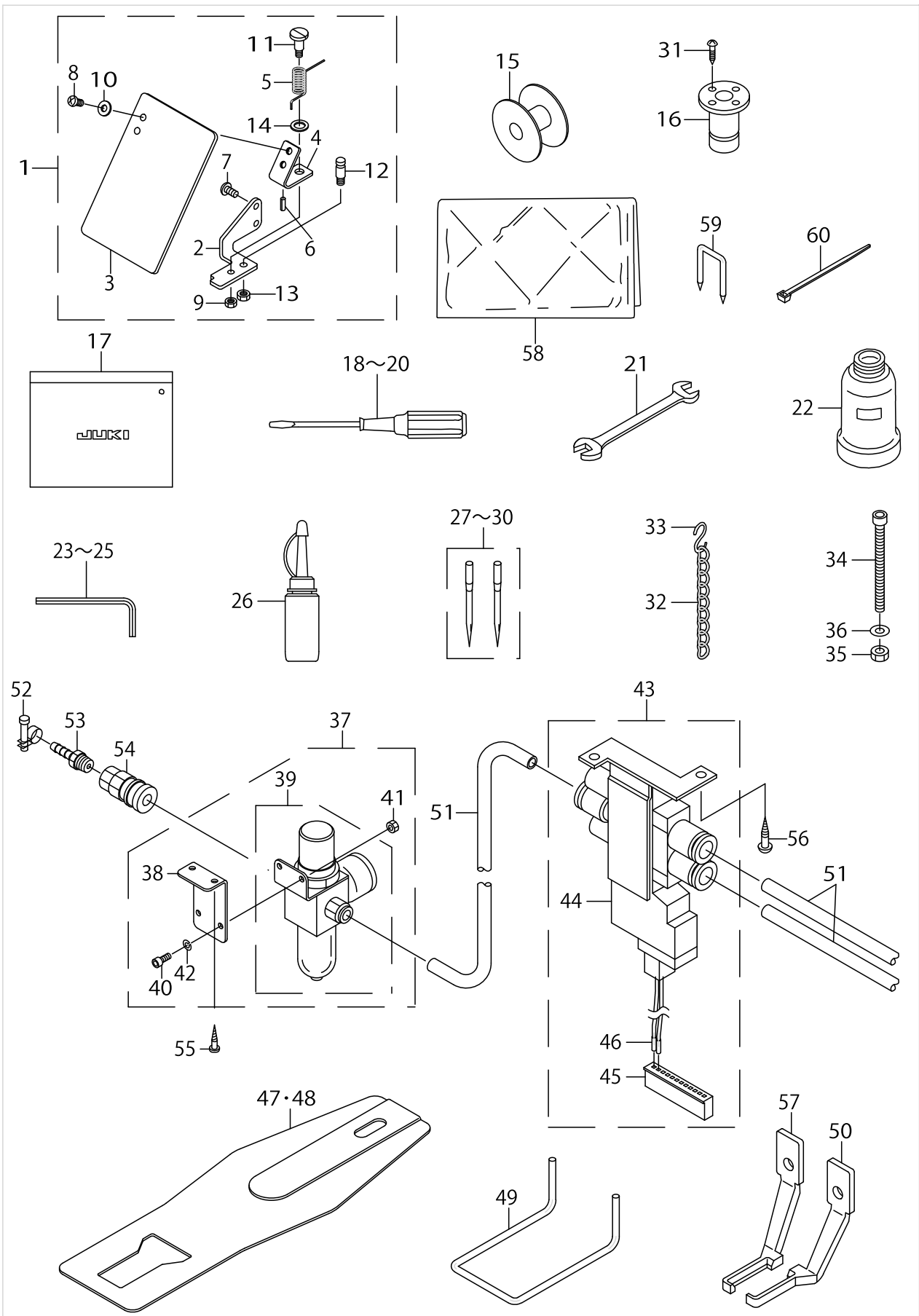


ACCESSORIE PART COMPONENTS

No.	Supply Code	Parts No.	Replacement	Parts name	Remarks	Choice	Step	Level	Cons	Qty	Rep. QTY
1	R	13551254	40052806	SAFETY PLATE ASM.						1	1.00
2	R	13551205	26235705	SAFETY PLATE INSTALLING BASE				*		1	1.00
3	R	B3120372000	26037200	SAFETY PLATE				*		1	1.00
4	R	B3121372000	26037309	SAFETY PLATE INSTALLING PLATE				*		1	1.00
5		13943204		SAFETY PLATE RETURN SPRING				*		1	
6		PS0200062KH		SPRING PIN 2X6				*		1	
7		SS4110715SP		SCREW 11/64-40 L=7				*		2	
8		SS4110715SP		SCREW 11/64-40 L=7				*		2	
9		NS6110310SP		NUT 11/64-40				*		1	
10		WP0450801SD		WASHER 4.5X10X0.8				*		2	
11		SD0601021SP		HINGE SCREW D=6 H=10.2				*		1	
12	R	B1506352000	26226407	TENSION SPRING RACK B				*		1	1.00
13		NS6120310SP		NUT 3/16-28				*		1	
14		WP0740516SP		WASHER 7.4X11.8X0.5				*		1	
15		13812102		BOBBIN						1	
16		B8202205000		OIL MANAGEMENT						1	
17	R	B9101552000	22932800	ACCESSORY BOX						1	1.00
18	R	B9109555000	22933006	SCREW DRIVER, LARGE						1	1.00
19	R	B9110012000	22933105	SCREW DRIVER, MIDDLE						1	1.00
20	R	B9111012000	22933204	SCREW DRIVER, SMALL						1	1.00
21		B9113012000		WRENCH (9X10)						1	
22		B9121012000		OIL CAN						1	
23		B9140372000		HEXAGONAL WRENCH, SMALL						1	
24		B9141372000		HEXAGONAL WRENCH, LARGE						1	
25		GCT02906000		HEXAGONAL SPANNER						1	
26		B91212200A0		OILER (CONTAINING NO.2 OIL)						1	
27	R	MDP500B1402	MDP500B1400	NEEDLE DPX5#14-2	FOR LK-19-00SS,SA(USE IN JAPAN)					1	1.00
28	D	MDP500B1602		NEEDLE DPX5#16-2	FOR LK-19-00SS,SA(EXPORT)					1	
29		MDP170B1902		NEEDLE DPX17#19-2	FOR LK-1900HS,HA					1	
30		MDP500B1102		DPX5#11-2	FOR LK-19-00FS,MS,FA,MA					1	
31		SK3311601SE		WOOD SCREW D=3.1 L=16						4	
32	R	B8103980000	26037903	CHAIN						1	1.00
33	R	B8133019000	13160304	S SHAPED HOOK						2	1.00
34		SM6067552TP		HEXAGONAL-HOLE BOLT M6 L=75						1	
35		NM6060001SC		NUT M6						1	
36		WP0651646SC		WASHER						1	
37	D	14106553		AIRREGULATORASM.	FOR LK-19-00SA,HA,FA,MA					1	
38		13860408		REGULATOR BRACKET				*		1	
39		14106561		AIR REGULATOR A ASM.				*		1	
40		SM6051202TP		SCREW M5X0.8 L=12				*		2	
41		NM6050001SP		NUT M5				*		2	
42		WS0510002KN		SPRING WASHER				*		2	
43		14106652		SOLENOID VALVE ASM.	FOR LK-19-00SA,HA,FA,MA					1	



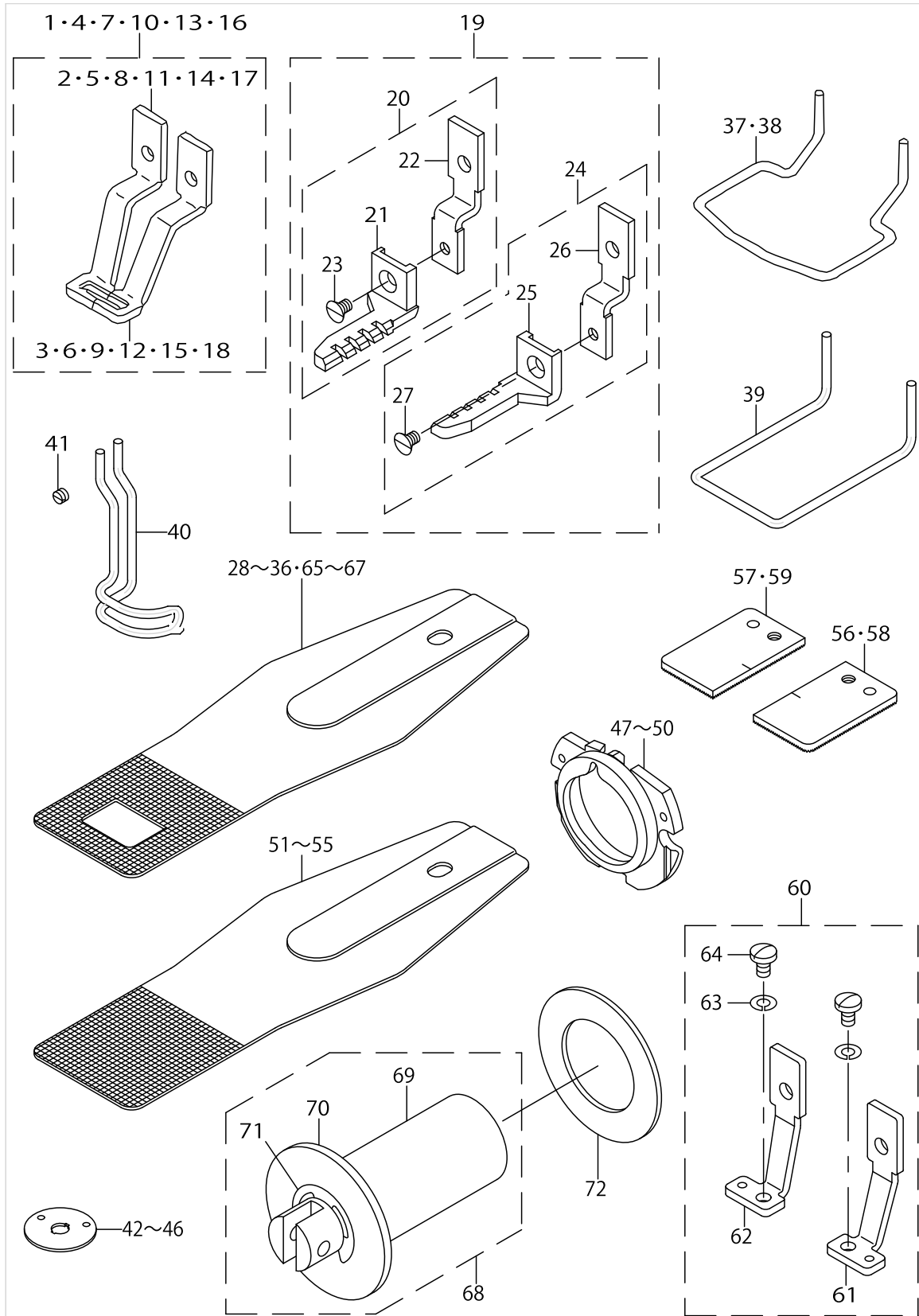
ACCESSORIE PART COMPONENTS



ACCESSORIE PART COMPONENTS

No.	Supply Code	Parts No.	Replacement	Parts name	Remarks	Choice	Step	Level	Cons	Qty	Rep. QTY
44		14106603		PRESSER LIFTER S-OLENOID VALVE				*		1	
45		HK016510120		HOUSING 12P				*		1	
46		HK016540000		RECEPTABLE CONTACT				*		2	
47		14116909		FEED PLATE I	FOR LK-19-00FS,FA (EXCEPT JE & USE IN JAPAN)					1	
48		14116503		FEED PLATE E	FOR LK-19-00FS,FA (FOR JE)					1	
49		13573407		FINGER GUARD	FOR LK-19-00FS,FA(EXPORT)					1	
50	R	13572003	13571955	CLOTH PRESSER FOOT (LEFT)	FOR LK-19-00FS,FA(EXPORT)					1	1.00
51		BT0600401EB		TUBE	FOR LK-19-00SA,HA,FA,MA					2	
52		PB000010000		HOSE BAND	FOR LK-19-00SA,HA,FA,MA					1	
53		PJ032526001		HOSE NIPPLE	FOR LK-19-00SA,HA,FA,MA					1	
54		PJ309005201		PLUG	FOR LK-19-00SA,HA,FA,MA					1	
55		SK3482001SE		WOOD SCREW D=4.8 L=20	FOR LK-19-00SA,HA,FA,MA					2	
56		SK3311601SE		WOOD SCREW D=3.1 L=16	FOR LK-19-00SA,HA,FA,MA					2	
57	R	13571906	13571955	CLOTH PRESSER FOOT (RIGHT)	FOR LK-19-00FS,FA(EXPORT)					1	1.00
58		26234005		VINYL COVER	EXCEPT U-SE IN JAPAN					1	
59		MAO11532000		CORD STAPLE						7	
60		EA9500B0200		CABLE BAND 150						2	

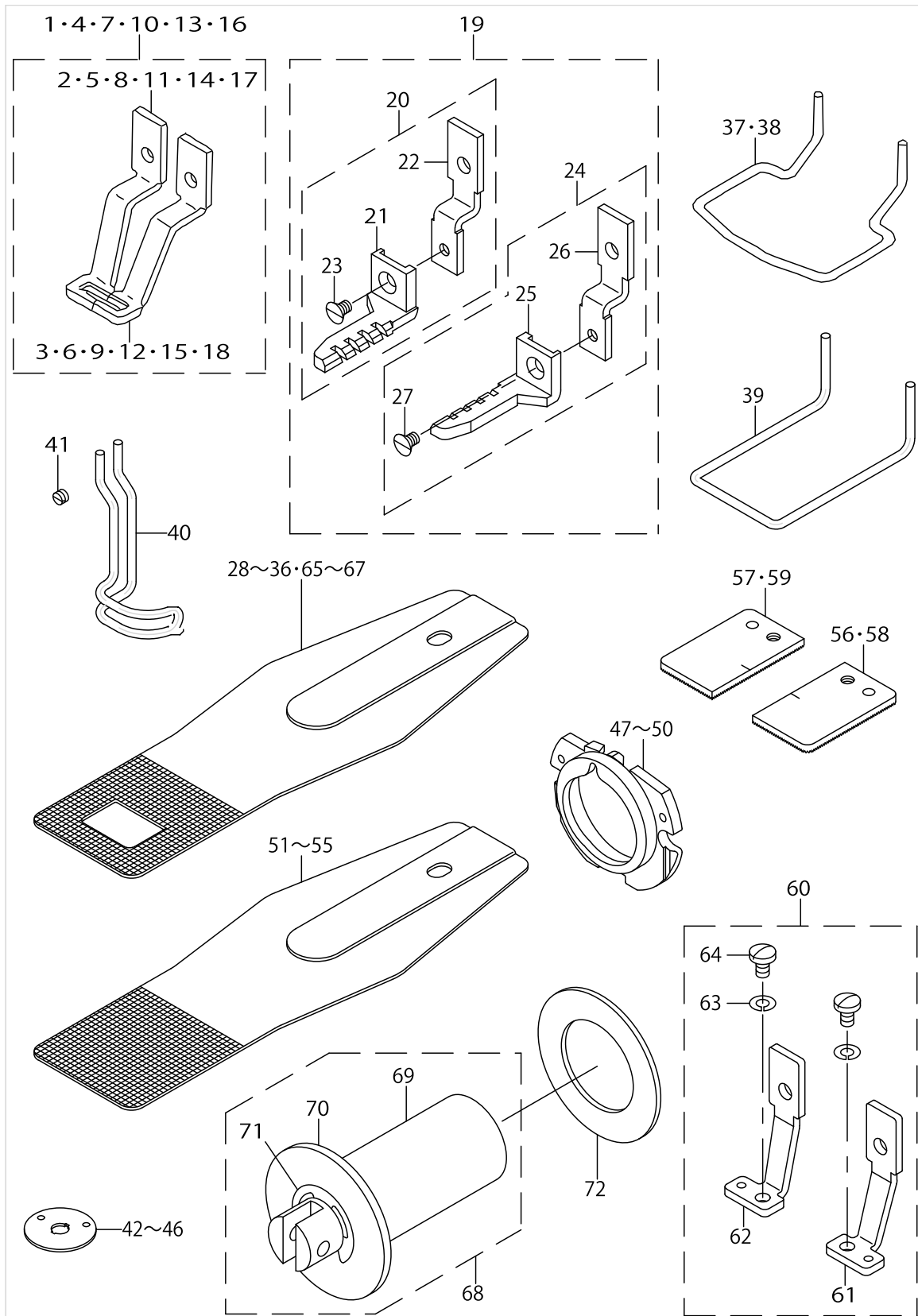
OPTION COMPONENTS(1)



OPTION COMPONENTS(1)

No.	Supply Code	Parts No.	Replacement	Parts name	Remarks	Choice	Step	Level	Cons	Qty	Rep. QTY
1		13518659		WORK CLAMP FOOT ASM.						1	
2		13518600		WORK CLAMP FOOT, RIGHT				*		1	
3		13518709		WORK CLAMP FOOT, LEFT				*		1	
4		13548557		WORK CLAMP FOOT ASM.						1	
5		13548508		WORK CLAMP FOOT. RIGHT				*		1	
6		13548607		WORK CLAMP FOOT. LEFT				*		1	
7		13548151		CLOTH PRESSER FOOT ASM.						1	
8		13548102		WORK CLAMR FOOT. RIGHT				*		1	
9		13548201		WORK CLAMR FOOT LEFT				*		1	
10		13542451		WORK CLAMP FOOT ASM.						1	
11		13542402		WORK CLAMP FOOT, RIGHT				*		1	
12		13542501		WORK CLAMP FOOT, LEFT				*		1	
13		13542964		PRESSER ASM.						1	
14		13542915		WORK CLAMP FOOT, RIGHT				*		1	
15		13543012		WORK CLAMP FOOT, LEFT				*		1	
16		13571955		WORK CLAMP FOOT ASM.						1	
17	R	13571906	13571955	CLOTH PRESSER FOOT (RIGHT)				*		1	1.00
18	R	13572003	13571955	CLOTH PRESSER FOOT (LEFT)				*		1	1.00
19		13561360		WORK CLAMP FOOT ASM.						1	
20		13561352		WORK CLAMP FOOT ASM.,RIGHT				*		1	
21		13561303		CLOTH PRESSER FOOT (RIGHT)				*		1	
22		13562509		PRESSER FOOT SLI- DING PLATE (R)				*		1	
23		SS1110640TP		SCREW 11/64-40 L= 5.5				*		1	
24		13561451		WORK CLAMP FOOT ASM.,LEFT				*		1	
25		13561402		CLOTH PRESSER FOOT (LEFT)				*		1	
26		13562608		PRESSER FOOT SLI- DING PLATE (L)				*		1	
27		SS1110640TP		SCREW 11/64-40 L= 5.5				*		1	
28		14116107		FEED PLATE A						1	
29		14116404		FEED PLATE D						1	
30		14116305		FEED PLATE C						1	
31		13548003		FEED PLATE						1	
32		13554506		FEED PLATE						1	
33		14116602		FEED PLATE F						1	
34		14116206		FEED PLATE B						1	
35		14116503		FEED PLATE E						1	
36		14116701		FEED PLATE G						1	
37		26224204		FINGER GUARD						1	
38		13548300		FINGER GUARD						1	
39		13573407		FINGER GUARD						1	
40		14120000		FINGER GUARD						1	
41		SS8110310SP		SCREW 11/64-40 L= 2.8						1	
42		B2426280000		NEEDLE HOLE GUIDE						1	
43		B242628000B		NEEDLE HOLE GUIDE B						1	
44		14109607		NEEDLE HOLE GUIDE						1	
45		D2426282C00		NEEDLE HOLE GUIDE						1	

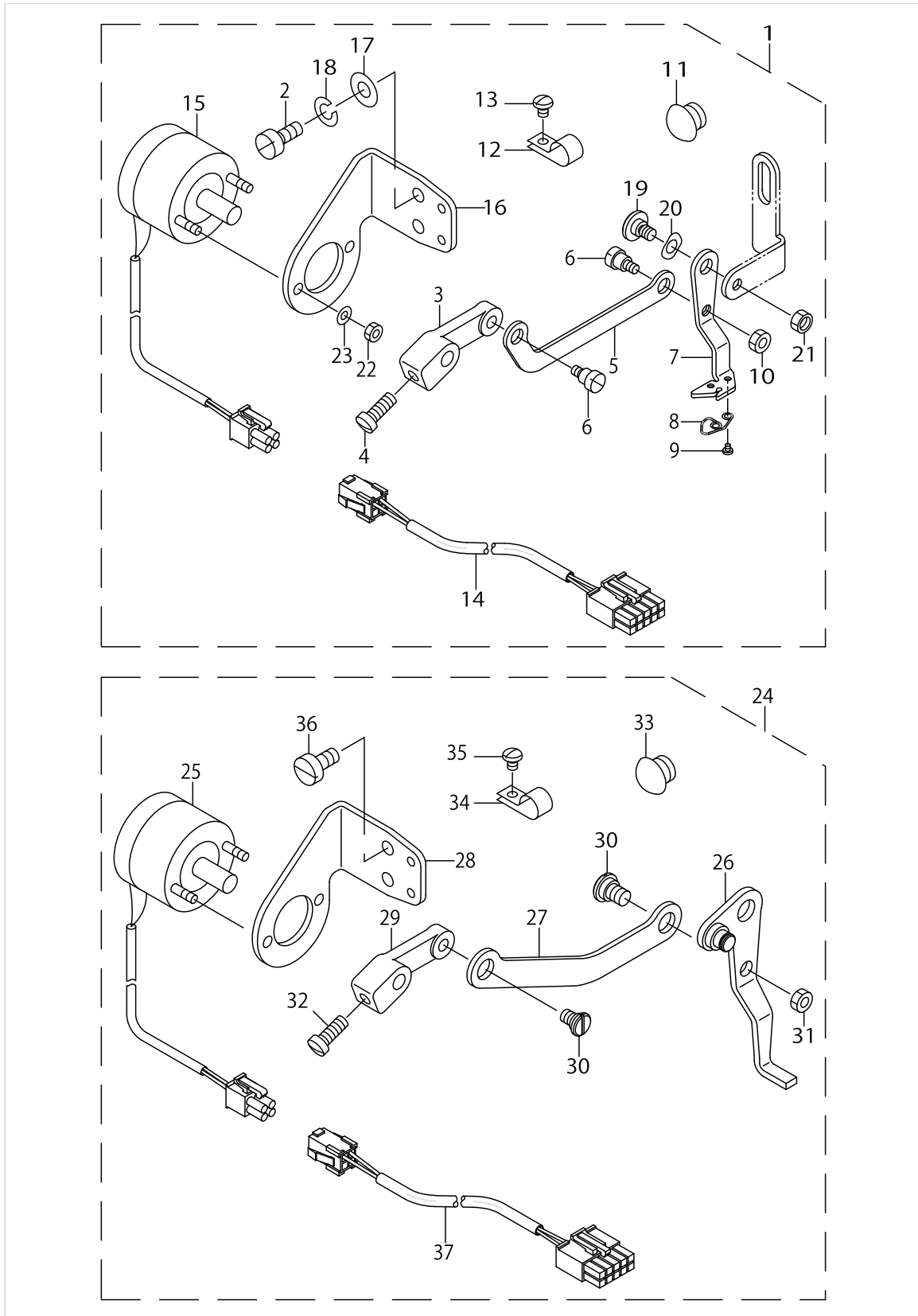
OPTION COMPONENTS(1)



OPTION COMPONENTS(1)

No.	Supply Code	Parts No.	Replacement	Parts name	Remarks	Choice	Step	Level	Cons	Qty	Rep. QTY
46		D2426MMCK00		NEEDLE HOLE GUIDE						1	
47		14103253		INNER HOOK PRESSER ASM., A						1	
48		14103352		INNER HOOK PRESSER ASM., B						1	
49		14103659		SHUTTLE RACE RING ASM.,C						1	
50		B1817210DAD		SHUTTLE RACE RING ASM.,D						1	
51		14120109		FEED PLATE BLANK A						1	
52		14120208		FEED PLATE BLANK B						1	
53		14120505		FEED PLATE BLANK C						1	
54		14120307		FEED PLATE BLANK D						1	
55		14120406		FEED PLATE BLANK E						1	
56		14121701		CLOTH PRESSER B-LANK,R(SURFACE)						1	
57		14121800		CLOTH PRESSER B-LANK,L(SURFACE)						1	
58		14121909		CLOTH PRESSER BLANK,RIGHT						1	
59		14122006		CLOTH PRESSER BLANK,LEFT						1	
60		14121263		WORK CLAMP FOOT ASM.						1	
61		14121255		WORK CLAMP FOOT ASM.,RIGHT				*		1	
62		14121354		WORK CLAMP FOOT ASM.,LEFT				*		1	
63		WS0451040KP		SPRING WASHER 4.5X8.5X1				*		2	
64		SS7110710SP		SCREW 11/64-40 L=7				*		2	
65		14116800		FEED PLATE H						1	
66		14116909		FEED PLATE I						1	
67		13554803		FEED PLATE						1	
68	D	14107155		SOLENOIDE PLUNGER ASM.						1	
69		14107106		SOLENOIDE PLUNGER				*		1	
70		14107205		RUBBER PRESSER				*		1	
71		RE1500000K0		E-SHAPED SNAP RING				*		1	
72		14107304		PRESSER RUBBER						1	

OPTION COMPONENTS(2)(FOR LK-1900,1901,1902)



OPTION COMPONENTS(2)(FOR LK-1900,1901,1902)

No.	Supply Code	Parts No.	Replacement	Parts name	Remarks	Choice	Step	Level	Cons	Qty	Rep. QTY
1		14122550		MAGNET WIPER ASM.						1	
2		SS6111010TP		SCREW 11/64-40 L= 9.5				*		2	
3		B210220500A		WIPER ARM				*		1	
4	R	SS7111120SP	SS7111120TP	SCREW 11/64-40 L=10.5				*		1	1.00
5		14147607		WIPER LINK				*		1	
6		SD0600181TP		HINGE SCREW				*		2	
7		40009859		WIPER				*		1	
8		40009860		WIPER THREAD CATCH SPRING				*		1	
9		SS7060310SP		SCREW 3/32-56 L=3				*		2	
10		NS6110310SP		NUT 11/64-40				*		1	
11		TA1250705R0		RUBBER PLUG				*		1	
12		HX00123000C		CABLE CLIP				*		3	
13		SS4110615SP		SCREW 11/64-40 L=6				*		3	
14		14142251		SOLENOID RELAY CABLE ASM.				*		1	
15		14147755		SOLENOID FOR WIPER ASM.				*		1	
16		13864509		SOLENOID FITTING PLATE				*		1	
17		WP0450801SD		WASHER 4.5X10X0.8				*		2	
18		WS0451040KP		SPRING WASHER 4.5X8.5X1				*		2	
19		SD0640261SP		HINGE SCREW D=3.65 H=2.6				*		1	
20		WZ0640200KP		WAVE WASHER				*		1	
21		NS6120310SP		NUT 3/16-28				*		1	
22		NM6040003SC		NUT M4				*		2	
23	R	WS0410002KS	WS0410002KN	SPRING WASHER M4				*		2	1.00
24		14122659		MAGNET WIPER ASM.				*		1	
25		14147755		SOLENOID FOR WIPER ASM.				*		1	
26		13864350		WIPER ASM.				*		1	
27		13864400		WIPER LINK				*		1	
28		13864509		SOLENOID FITTING PLATE				*		1	
29		B210220500A		WIPER ARM				*		1	
30		SD0600181TP		HINGE SCREW				*		2	
31		NS6110310SP		NUT 11/64-40				*		1	
32		SS7111120TP		SCREW				*		1	
33		TA1250705R0		RUBBER PLUG				*		1	
34		HX00123000C		CABLE CLIP				*		3	
35		SS4110615SP		SCREW 11/64-40 L=6				*		3	
36		SS6110810TP		SCREW 11/64-40 L=8				*		2	
37		14142251		SOLENOID RELAY CABLE ASM.				*		1	



TABLE COMPONENTS

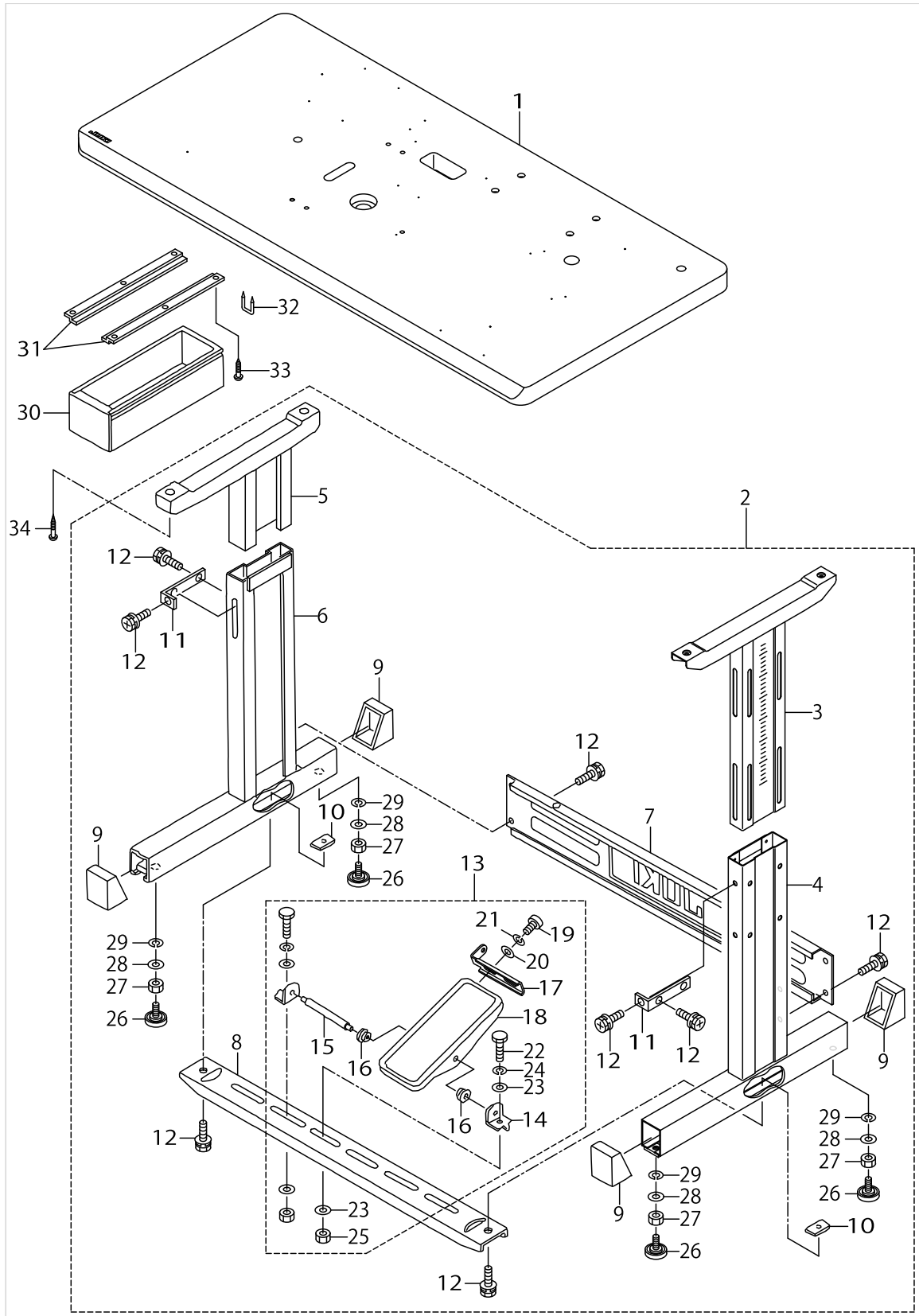
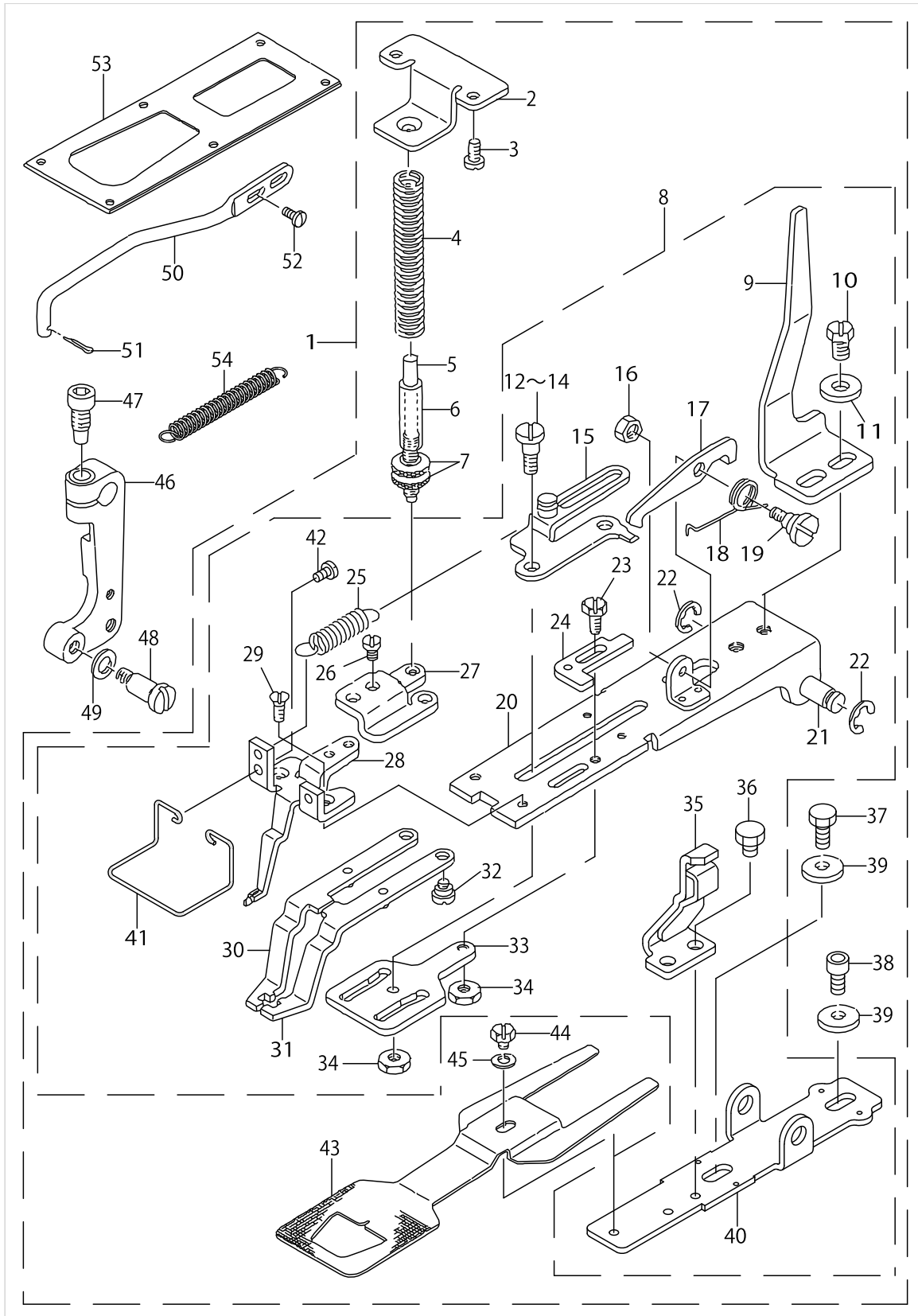


TABLE COMPONENTS

No.	Supply Code	Parts No.	Replacement	Parts name	Remarks	Choice	Step	Level	Cons	Qty	Rep. QTY
1	R	14117519	14117550	UPRIGHT TABLE						1	1.00
2		14118053		T-STAND COMPL.						1	
3		14118152		UPPER STAND ASM.,RIGHT				*		1	
4		14118251		STAND ASM.,RIGHT				*		1	
5		B8101210AAB		UPPER STAND ASM.				*		1	
6		B8105210AAA		STAND ASM.				*		1	
7	D	11158300		STAND SIDE SUPPORT				*		1	
8		11158409		STAND SIDE SUPPORT				*		1	
9		11158607		RUBBER CAP				*		4	
10		17007402		NUT				*		2	
11		11158516		UPPERSTANDPLATE				*		2	
12		SL9082091SE		WASHER HEXAGONAL BOLT				*		12	
13		13817754		Z-STAND PEDAL ASM.				*		1	
14		11159001		PEDAL SHAFT BRACKET				*		2	
15		B8153771000		PEDAL CONNECTING ROD				*		1	
16		D8113555B00		PEDAL BUSHING				*		2	
17		GPF06080000		PEDAL ADJUSTING PLATE				*		1	
18		GPF060600A0		PEDAL ASM.				*		1	
19		SM9061203SE		SCREW M6 L=12				*		2	
20		WP0671016SE		WASHER 6.7X13X1				*		2	
21		WS0621210KR		SPRING WASHER 6.2X11.4X1.2				*		2	
22		SM9082023SE		SCREW M8 L=20				*		2	
23		WP0871602SE		WASHER 8.7X18X1.6				*		4	
24		WS0861410KR		SPRING WASHER 8.6X15X1.4				*		2	
25		NM6080721SE		NUT M8				*		2	
26		B81085550A0		ADJUSTING SCREW ASM. WITH CAP				*		4	
27		NM6120001SE		NUT M12				*		4	
28		WP1302501SE		WASHER M12				*		4	
29		WS1253010KN		SPRING WASHER 12.5X21.5X3				*		4	
30	R	11155108	11155157	DRAWER						1	1.00
31		11155207		DRAWER SUPPORT						2	
32		D8204555D00		DRAWER STOPPER						1	
33		SK3311601SE		WOOD SCREW D=3.1 L=16						6	
34		SK3513201SE		WOOD SCREW D=5.1 L=32						4	

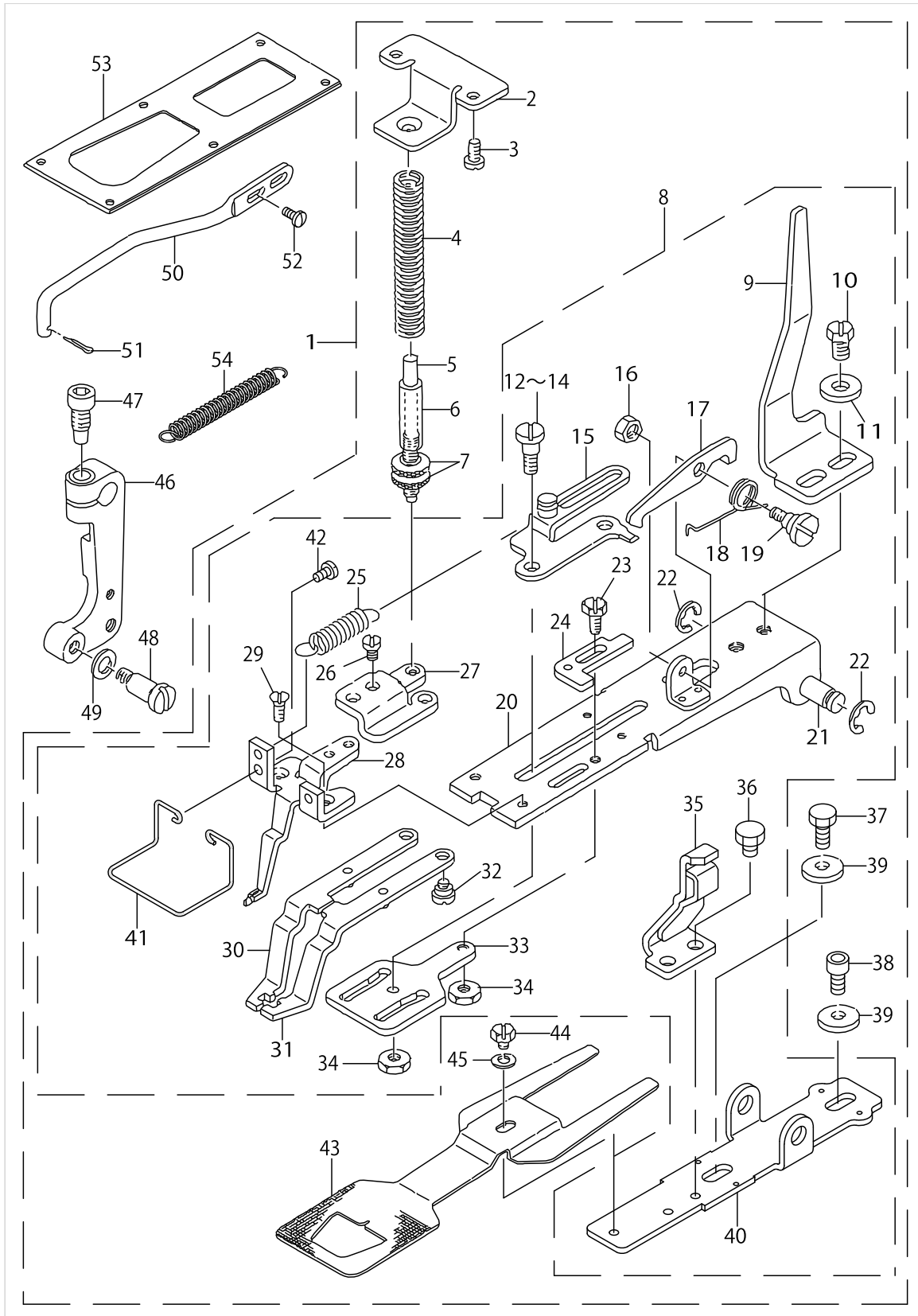
LK-1901S△:WORK CLAMP MECHANISM COMPONENTS



LK-1901S△:WORK CLAMP MECHANISM COMPONENTS

No.	Supply Code	Parts No.	Replacement	Parts name	Remarks	Choice	Step	Level	Cons	Qty	Rep. QTY
1	D	14140263		PICK-UP DEVICE						1	
2		13541602		WORK CLAMP FOOT SPRING HOLDER				*		1	
3		SS7110840SP		SCREW 11/64-40 L=7.8				*		2	
4		D2529232D00		PRESSER SPRING				*		1	
5		D2528232D00		SHAFT				*		1	
6		D2527232D00		SLEEVE				*		1	
7		B3117352000		THREAD TENSION POST NUT				*		2	
8		14140255		WORK CLAMP FOOT BRACKET COMPL.				*		1	
9		13541404		WORK CLAMP FOOT LIFTING PLATE				*		1	
10		SS9151120CP		SCREW 15/64-28L=11				*		2	
11		WP0612516SD		WASHER 6.1X15.2X2.5				*		2	
12		D2545232D0A		HINGE SCREW	SELECTIVE PARTS			*		2	
13		D2545232D0B		HINGE SCREW	SELECTIVE PARTS			*		2	
14	R	D2545232D0C	D2545232D0A	HINGE SCREW	SELECTIVE PARTS			*		2	1.00
15		14141055		PULLING PLATE COMPL.				*		1	
16		NS6110530SP		NUT 11/64-40				*		1	
17		14141105		FIXING HOOK				*		1	
18		D2512232D00		TORSION SPRING				*		1	
19		D2511232D00		SCREW				*		1	
20		14140354		INSTALLING BASE COMPL.				*		1	
21		14141402		INSTALLING SHAFT				*		1	
22		RE0700000K0		E-RING 7				*		2	
23		SS9110920CP		SCREW 11/64-40 L=9				*		1	
24		14140909		ADJUSTING PLATE				*		1	
25		D2515232D00		TORSION SPRING				*		1	
26		SS7110840SP		SCREW 11/64-40 L=7.8				*		2	
27		13541107		WORK CLAMP FOOT SPRING HOLDER				*		1	
28		14140552		PICK-UP GUIDE COMPL.				*		1	
29		SS1110640TP		SCREW 11/64-40 L= 5.5				*		2	
30		D2520232D00		WORK CLAMP FOOT (LEFT)				*		1	
31		D2521232D00		WORK CLAMP FOOT (RIGHT)				*		1	
32		SD0550271TP		HINGE SCREW D= 5.50 H= 2.7				*		2	
33		14141204		PLATE CAM				*		1	
34		NS6120480SP		NUT 3/16-28				*		2	
35		14140750		PREVENTING PLATE COMPL.				*		1	
36		SS9110543CP		SCREW 11/64-40 L=5.3				*		2	
37		SM9061403CP		SCREW M6 L=14				*		1	
38		SM6061202TP		SCREW M6 L=12				*		1	
39		WP0612516SD		WASHER 6.1X15.2X2.5				*		2	
40		14140206		PICK-UP INSTALLING BASE				*		1	
41		14141501		FINGER GUARD				*		1	
42		SS7090610SP		SCREW 9/64-40 L=6				*		2	
43		13541503		FEED PLATE				*		1	
44		SS9110460CP		SCREW 11/64-40 L=4				*		1	
45		WP0501016SD		WASHER 5X10.5X1				*		1	

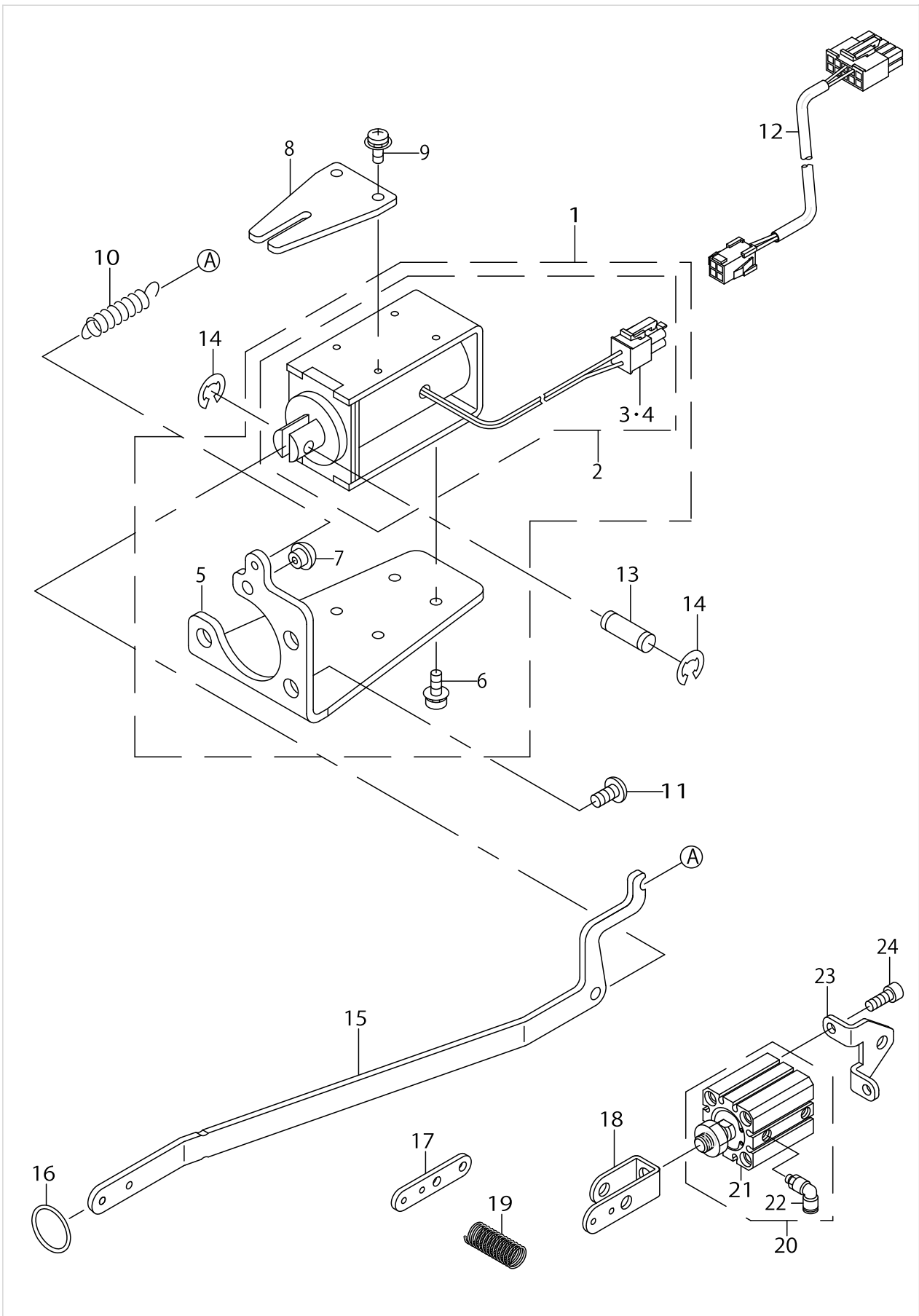
LK-1901S△:WORK CLAMP MECHANISM COMPONENTS



LK-1901S△:WORK CLAMP MECHANISM COMPONENTS

No.	Supply Code	Parts No.	Replacement	Parts name	Remarks	Choice	Step	Level	Cons	Qty	Rep. QTY
46		13541313		CONNECTING ARM						1	
47		SM6061802TP		SCREW M6 L=18						1	
48		SD1201501SP		HINGE SCREW D=12 H=15						1	
49		WP0651056SH		WASHER 6.5X11X1						1	
50		13540604		DRIVING BAR B						1	
51		PD02010000B		SPLIT PIN						1	
52		SS7090850SP		SCREW 9/64-40 L=8						2	
53	R	13517602	26223602	FEED PLATE PRESSER PLATE						1	1.00
54		10087906		TENTION SPRING	FOR SOLE-NOID TYPE					1	

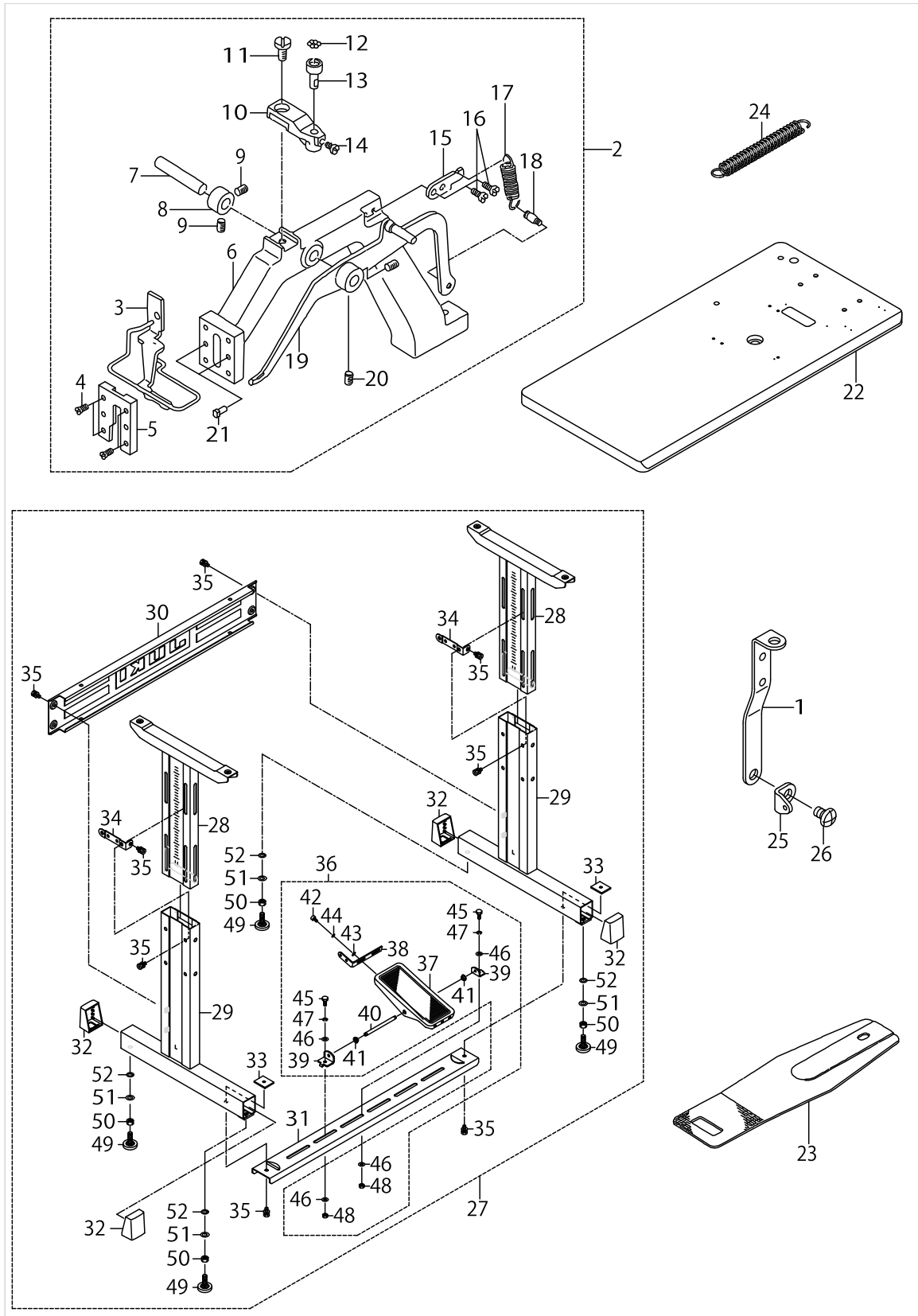
LK-1901:WORK CLAMP SOLENOID COMPONENTS



LK-1901:WORK CLAMP SOLENOID COMPONENTS

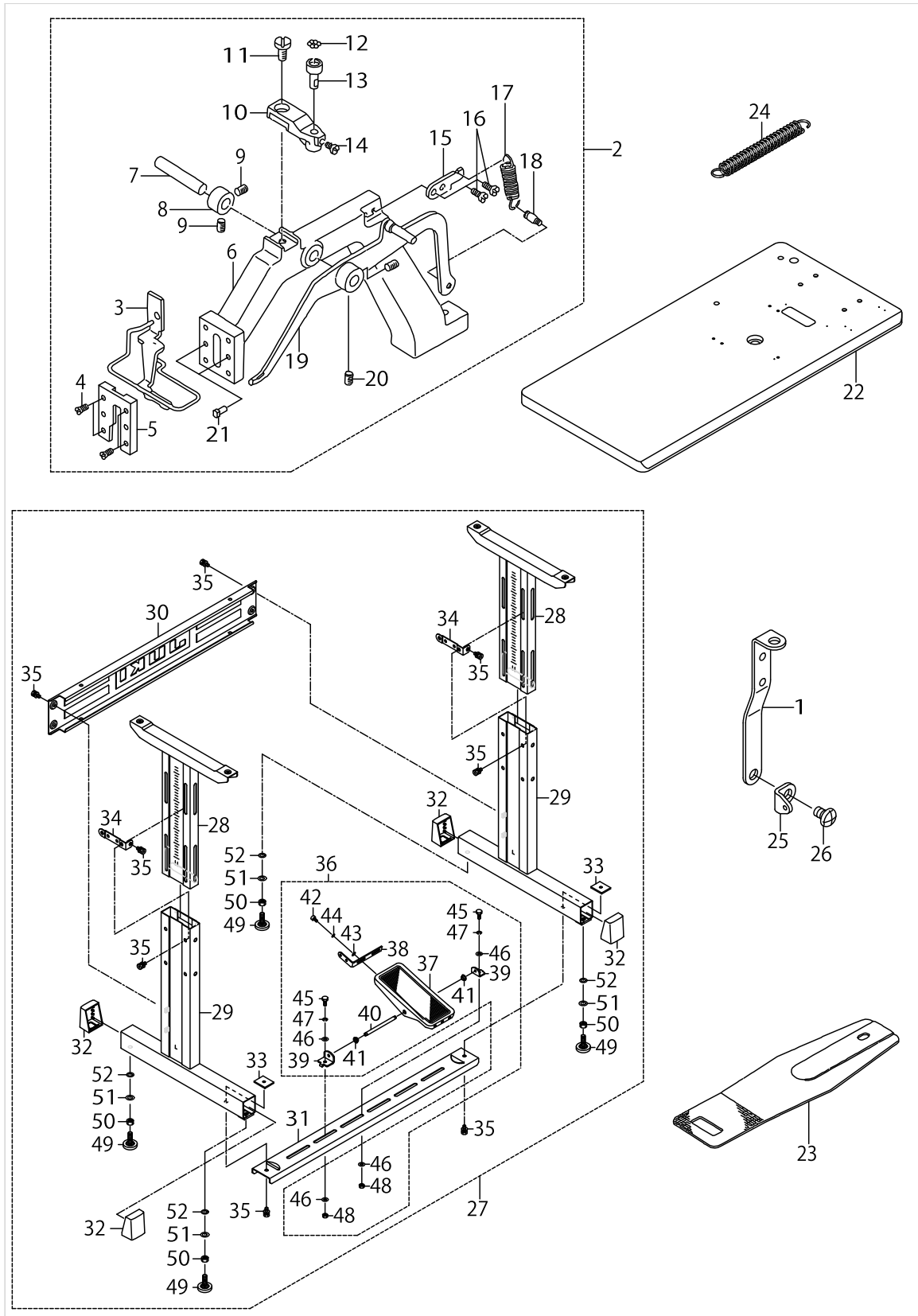
No.	Supply Code	Parts No.	Replacement	Parts name	Remarks	Choice	Step	Level	Cons	Qty	Rep. QTY
1		14141857		SOLENOID FOR PICK-UP ASM.						1	
2		14141758		SOLENOID FOR PICK-UP COMPL.				*		1	
3		HK03461004A		HOUSING,BLUE 4P				*		1	
4		HK034640000		PIN CONTACT				*		2	
5	R	14141907	14141857	SOLENOID INSTALLING BASE				*		1	1.00
6		SL4030881SC		SCREW M3X8				*		4	
7		TA0550604R0		RUBBER PLUG				*		1	
8		14142103		CONNECTING LINK GUIDE						1	
9		SL4030681SC		SCREW M3 L=6						2	
10		B1657506E00		SPRING						1	
11		SS4151215SP		SCREW15/64-28L=12						3	
12		14142251		SOLENOID RELAY CABLE ASM.						1	
13		B302745000B		PIN						1	
14		RC0410415KP		C-RING						2	
15		14142004		WORK CLAMP CONNECTING LINK						1	
16		RO044240100		RUBBER RING						1	
17		14147003		SOLENOID LINK	FOR SOLENOID TYPE					1	
18		14147102		CYLINDER KNUCKLE	FOR CYLINDER TYPE					1	
19		14148407		VERTICAL FEED SHAFT SPRING						1	
20	D	14147359		PRESSER LIFTING CYLINDER ASM.	FOR CYLINDER TYPE					1	
21		PA2502007A0		AIR CYLINDER				*		1	
22		PJ304060502		ELBOW UNION 6XM5				*		2	
23	D	14147201		PRESSER LIFTER CYLINDER BASE	FOR CYLINDER TYPE					1	
24		SM6061602TP		SCREW M6 L=16	FOR CYLINDER TYPE					2	





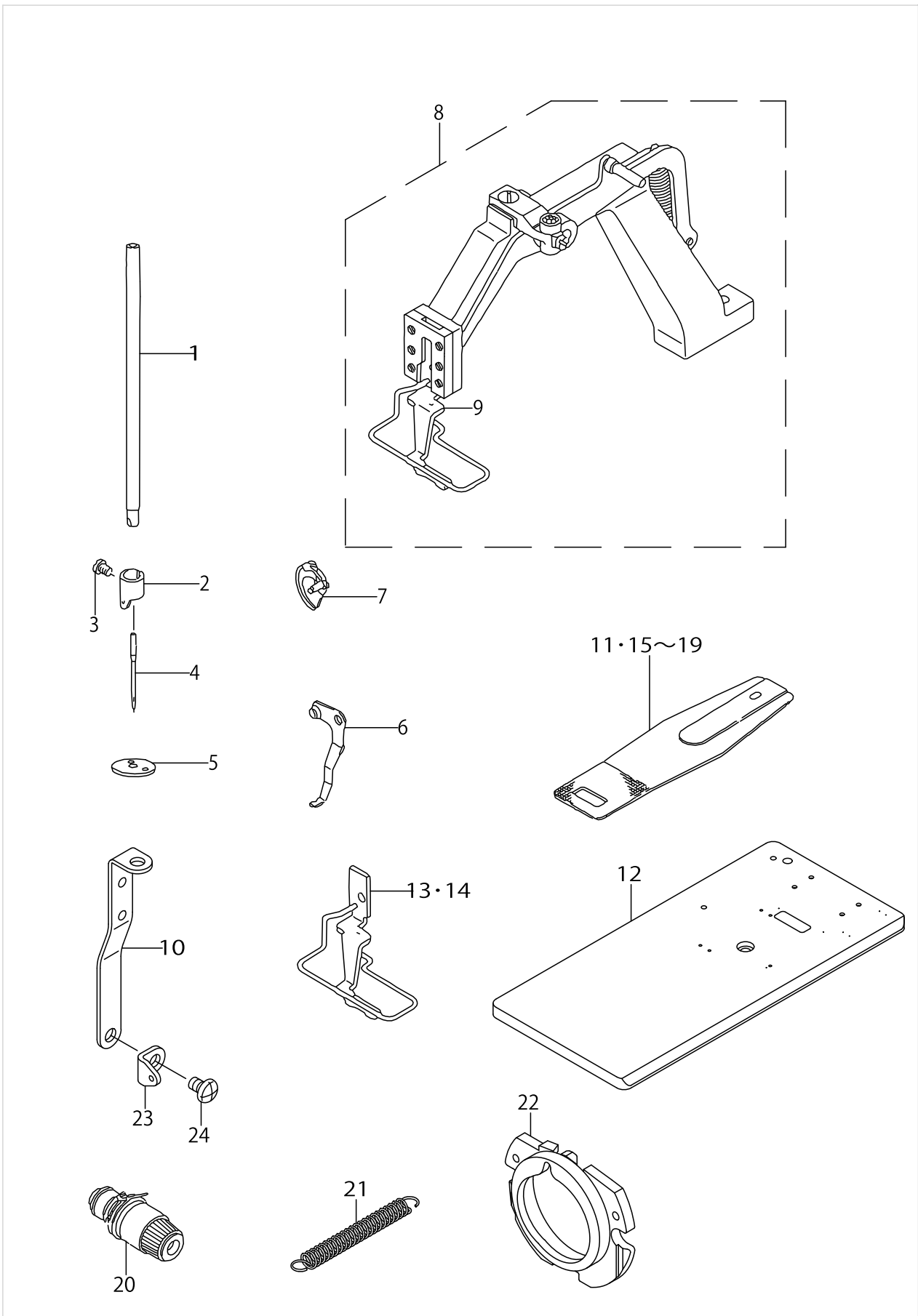
LK-1902S△

No.	Supply Code	Parts No.	Replacement	Parts name	Remarks	Choice	Step	Level	Cons	Qty	Rep. QTY
1		B1114581000		THREAD GUIDE PLATE						1	
2		13543764		CLOTH FEED BASE ASM.						1	
3		13544465		CLOTH PRESSER FOOT ASM.				*		1	
4		SS2110930SP		SCREW 11/64-40 L=8.7				*		4	
5		13544614		CLOTH FEED BASE COVER				*		1	
6		13543715		CLOTH FEED BASE				*		1	
7		B2539280000		STUD				*		1	
8		CS087101BSH		THRUST COLLAR A-SM. D=8.73 W=10				*		1	
9		SS8150822TP		SCREW 15/64-28 L=8				*		2	
10		13543806		BALL HOLDER				*		1	
11		SS7151210SP		SCREW 15/64-28 L=12				*		1	
12		B2549280000		WORK CLAMP FOOT MOUNTING BASE				*		7	
13	R	B2548280000	26224808	BALL RETAINER				*		1	1.00
14		SS7110740TP		SCREW 11/64-40 L=7				*		1	
15		13543905		SPRINGSUSPENSION				*		1	
16		SS6120940SP		SCREW 3/16-28 L=9				*		2	
17		13544705		SPRING				*		1	
18	R	B3413552000	26229302	SUSPENSION SCREW				*		1	1.00
19		13544051		LIFTING LEVER ASM.				*		1	
20		SS8150822TP		SCREW 15/64-28 L=8				*		2	
21		B1816280000		GUIDE PIN				*		2	
22	R	14144000	14144059	LATERA INSTALLATION TYPE TABLE						1	1.00
23		14143002		FEED PLATE						1	
24		10087906		TENTION SPRING	FOR SOLENOID TYPE					1	
25	R	13786306	40010414	THREAD GUIDE NO.1						1	1.00
26		SS4150915SP		SCREW 15/64-28 L=9						1	
27		14118350		T-STAND COMPL.						1	
28		B8101210AAB		UPPER STAND ASM.				*		2	
29		B8105210AAA		STAND ASM.				*		2	
30	D	11158300		STAND SIDE SUPPORT				*		1	
31		11158409		STAND SIDE SUPPORT				*		1	
32		11158607		RUBBER CAP				*		4	
33		17007402		NUT				*		2	
34		11158516		UPPERSTANDPLATE				*		2	
35		SL9082091SE		WASHER HEXAGONAL BOLT				*		12	
36		13817754		Z-STAND PEDAL ASM.				*		1	
37		GPF060600A0		PEDAL ASM.				*		1	
38		GPF06080000		PEDAL ADJUSTING PLATE				*		1	
39		11159001		PEDAL SHAFT BRACKET				*		2	
40		B8153771000		PEDAL CONNECTING ROD				*		1	
41		D8113555B00		PEDAL BUSHING				*		2	
42		SM9061203SE		SCREW M6 L=12				*		2	
43		WP0671016SE		WASHER 6.7X13X1				*		2	
44		WS0621210KR		SPRING WASHER 6.2X11.4X1.2				*		2	
45		SM9082023SE		SCREW M8 L=20				*		2	



## LK-1902S△

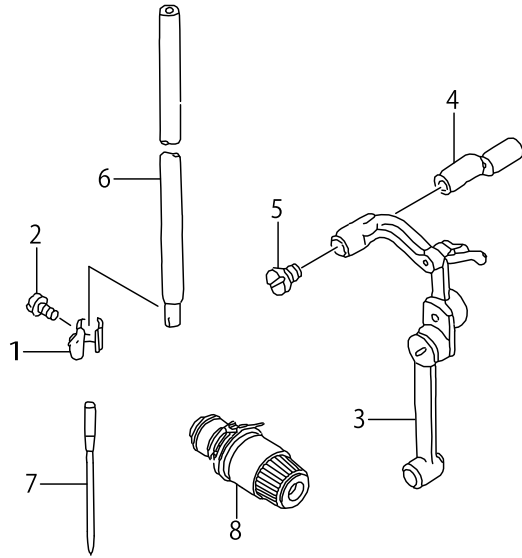
No.	Supply Code	Parts No.	Replacement	Parts name	Remarks	Choice	Step	Level	Cons	Qty	Rep. QTY
46		WP0871602SE		WASHER 8.7X18X1.6				*		4	
47		WS0861410KR		SPRING WASHER 8.6X15X1.4				*		2	
48		NM6080721SE		NUT M8				*		2	
49		B81085550A0		ADJUSTING SCREW ASM. WITH CAP				*		4	
50		NM6120001SE		NUT M12				*		4	
51		WP1302501SE		WASHER M12				*		4	
52		WS1253010KN		SPRING WASHER 12.5X21.5X3				*		4	



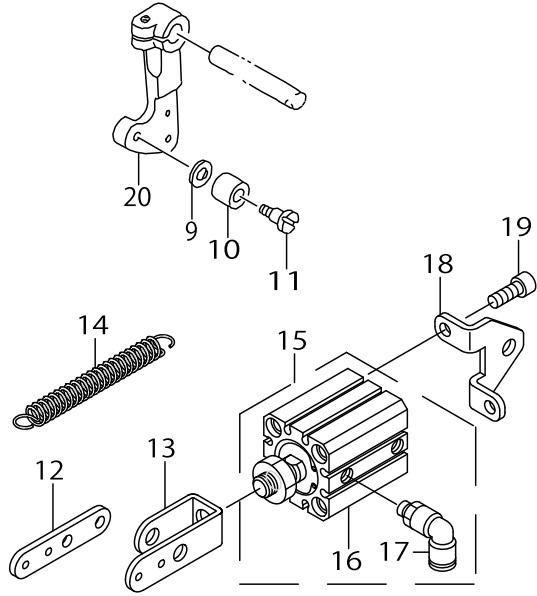
LK-1902H△

No.	Supply Code	Parts No.	Replacement	Parts name	Remarks	Choice	Step	Level	Cons	Qty	Rep. QTY
1	D	D1401L7VV00		NEEDLE BAR						1	
2		D1405L7AM00		NEEDLE BAR THREAD GUIDE						1	
3		SS7080510TP		SCREW 1/8-44 L=4.5						1	
4		MDP170B1900		NEEDLE DPX17 #19						1	
5		14109607		NEEDLE HOLE GUIDE						1	
6		D2101L7AMA0		WIPER ASM.						1	
7		D1818282N00		SHUTTLE						1	
8		13543764		CLOTH FEED BASE ASM.	COMMON USE WITH LK-1902S△					1	
9		13544465		CLOTH PRESSER FOOT ASM.	COMMON USE WITH LK-1902S△			*		1	
10		B1114581000		THREAD GUIDE PLATE	COMMON USE WITH LK-1902S△					1	
11		14143002		FEED PLATE						1	
12	R	14144000	14144059	LATERA INSTALLATION TYPE TABLE						1	1.00
13		13545660		WORK CLAMP FOOT ASM.	SPECIAL ORDER PARTS					1	
14		13547161		WORK CLAMP FOOT ASM.	SPECIAL ORDER PARTS					1	
15		13545504		FEED PLATE	SPECIAL ORDER PARTS					1	
16		13545801		FEED PLATE	SPECIAL ORDER PARTS					1	
17		13547005		FEED PLATE	SPECIAL ORDER PARTS					1	
18		13546700		CLOTH PRESSER PLATE	SPECIAL ORDER PARTS					1	
19		13548706		CLOTH PRESSER LOWER PLATE	SPECIAL ORDER PARTS					1	
20		B23022050A0		TENSION CONTROLLER NO.2 ASM.						1	
21		10087906		TENTION SPRING						1	
22		14103659		SHUTTLE RACE RING ASM.,C						1	
23	R	13786306	40010414	THREAD GUIDE NO.1						1	1.00
24		SS4150915SP		SCREW 15/64-28 L=9						1	

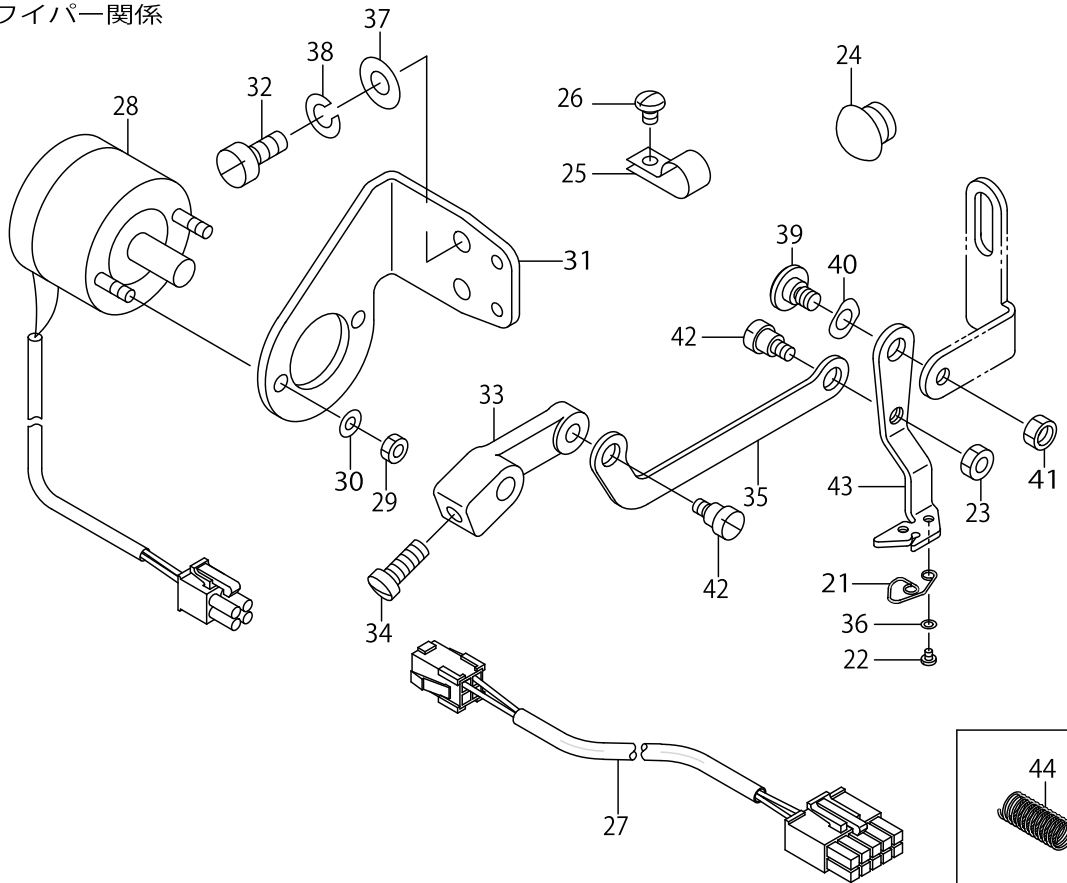
THREAD TENSION COMPONENTS  
針棒・糸調子関係



PRESSER LIFTER COMPONENTS  
押え上げ関係



WIPER MECHANISM COMPONENTS  
ワイパー関係

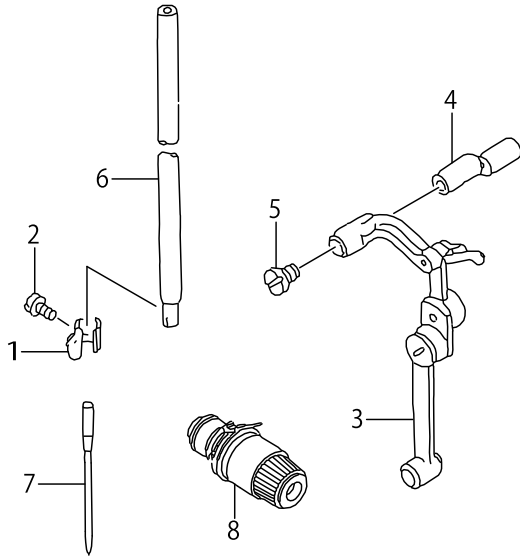


LK-1903S△-30△

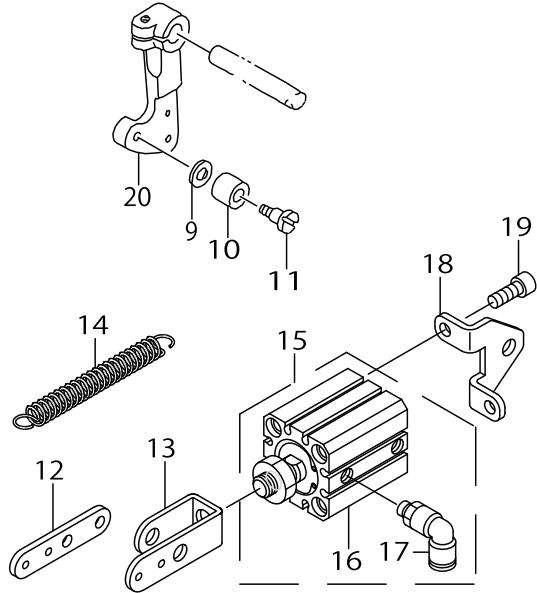
No.	Supply Code	Parts No.	Replacement	Parts name	Remarks	Choice	Step	Level	Cons	Qty	Rep. QTY
1		D1405M7WF00		NEEDLE BAR THREAD GUIDE						1	
2		SS7080510TP		SCREW 1/8-44 L=4.5						1	
3		D1901L7VVB0		THREAD TAKE-UP LEVER ASM.						1	
4		D1904L7VV00		LINK TAKE-UP LEVER PIN, HEAVY						1	
5		D1906L7VV00		SET SCREW						1	
6	D	D1401L7VV00		NEEDLE BAR						1	
7		MDP170B1400		NEEDLE DPX17 #14						1	
8		B23022050A0		TENSION CONTROLLER NO.2 ASM.						1	
9		B185351200E		HOOK SHAFT WASHER						1	
10	R	B2619372000	26028803	STOP MOTION TRIPPING LEVER CAM						1	1.00
11		SD0791271SP		HINGE SCREW D= 7.94 H=12.7						1	
12		14147003		SOLENOID LINK	FOR SOLENOID TYPE					1	
13		14147102		CYLINDER KNUCKLE	FOR CYLINDER TYPE					1	
14		10087906		TENTION SPRING	FOR SOLENOID TYPE					1	
15	D	14147359		PRESSER LIFTING CYLINDER ASM.	FOR CYLINDER TYPE					1	
16		PA2502007A0		AIR CYLINDER				*		1	
17		PJ304060502		ELBOW UNION 6XM5				*		2	
18	D	14147201		PRESSER LIFTER CYLINDER BASE	FOR CYLINDER TYPE					1	
19		SM6061602TP		SCREW M6 L=16	FOR CYLINDER TYPE					2	
20		13541313		CONNECTING ARM						1	
21		40009860		WIPER THREAD CATCH SPRING	EXCEPT L-K-1903-305					1	
22		SS7060310SP		SCREW 3/32-56 L=3	EXCEPT L-K-1903-305					2	
23		NS6110310SP		NUT 11/64-40						1	
24		TA1250705R0		RUBBER PLUG						1	
25		HX00123000C		CABLE CLIP						3	
26		SS4110615SP		SCREW 11/64-40 L=6	EXCEPT L-K-1903-305					3	
27		14142251		SOLENOID RELAY CABLE ASM.						1	
28		14147755		SOLENOID FOR WIPER ASM.						1	
29		NM6040003SC		NUT M4						2	
30	R	WS0410002KS	WS0410002KN	SPRING WASHER M4						2	1.00
31		13864509		SOLENOID FITTING PLATE						1	
32		SS6111010TP		SCREW 11/64-40 L= 9.5						2	
33		B210220500A		WIPER ARM						1	
34	R	SS7111120SP	SS7111120TP	SCREW 11/64-40 L=10.5						1	1.00
35		14147607		WIPER LINK						1	
36		WP0280500SC		WASHER						1	
37		WP0450801SD		WASHER 4.5X10X0.8						2	
38		WS0451040KP		SPRING WASHER 4.5X8.5X1						2	
39		SD0640261SP		HINGE SCREW D=3.65 H=2.6	EXCEPT L-K-1903-305					1	
40		WZ0640200KP		WAVE WASHER	EXCEPT L-K-1903-305					1	
41		NS6120310SP		NUT 3/16-28	EXCEPT L-K-1903-305					1	



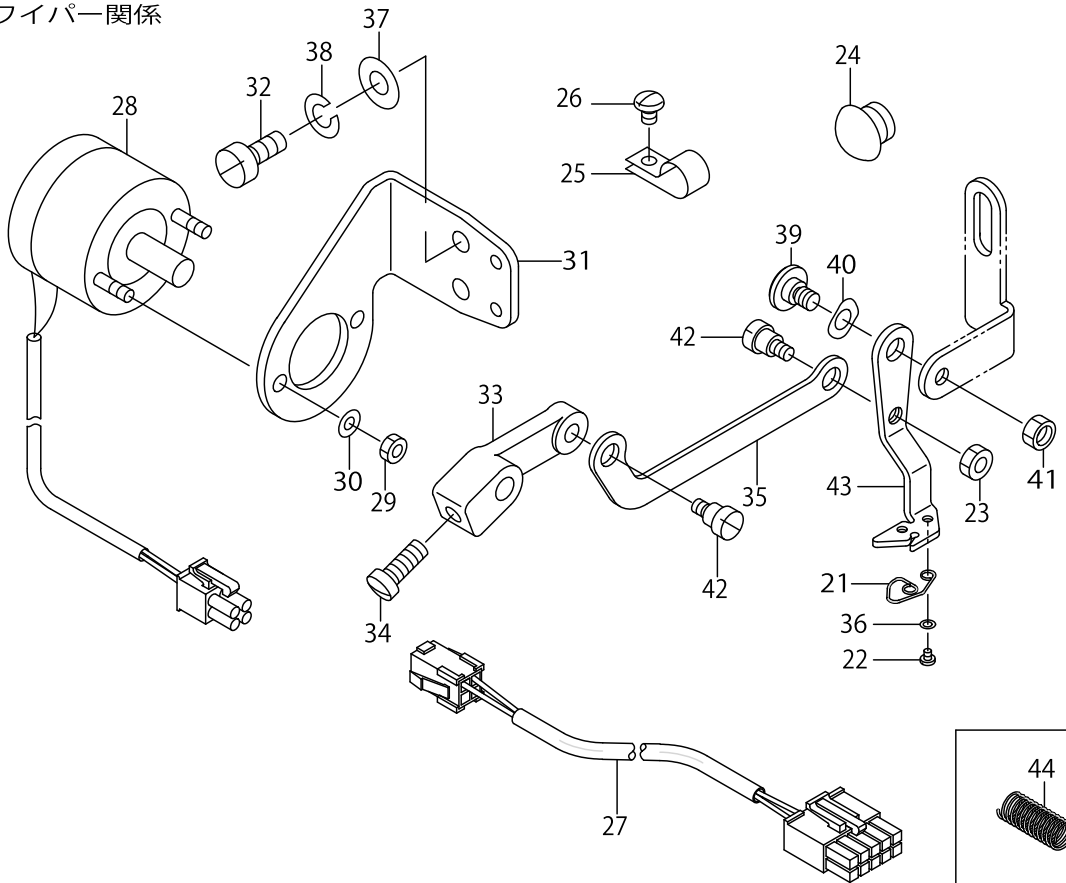
THREAD TENSION COMPONENTS  
針棒・糸調子関係



PRESSER LIFTER COMPONENTS  
押え上げ関係



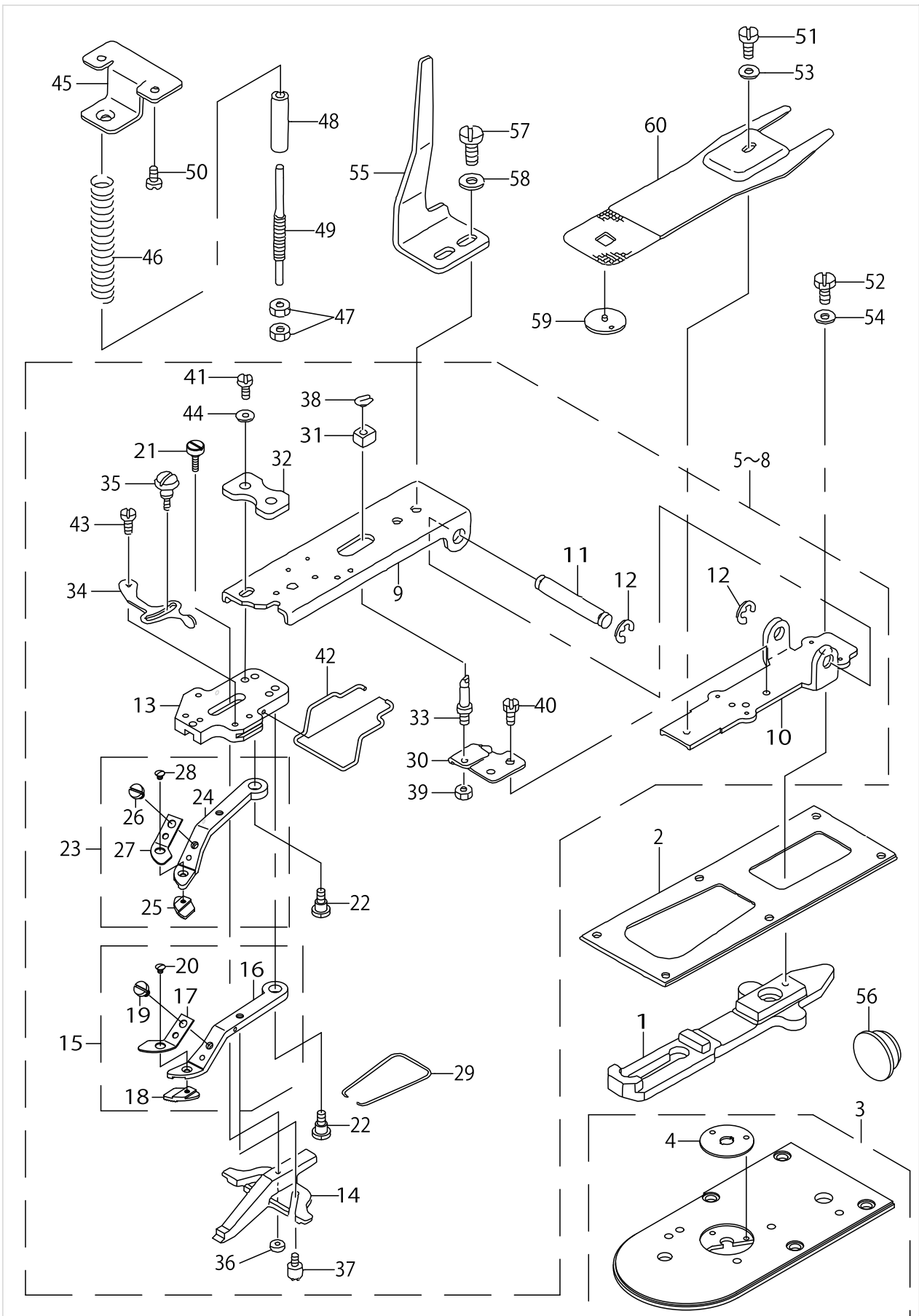
WIPER MECHANISM COMPONENTS  
ワイパー関係



LK-1903S△-30△

No.	Supply Code	Parts No.	Replacement	Parts name	Remarks	Choice	Step	Level	Cons	Qty	Rep. QTY
42		SD0600181TP		HINGE SCREW	EXCEPT L-K-1903-305					2	
43		40009859		WIPER						1	
44		14148407		VERTICAL FEED SHAFT SPRING						1	

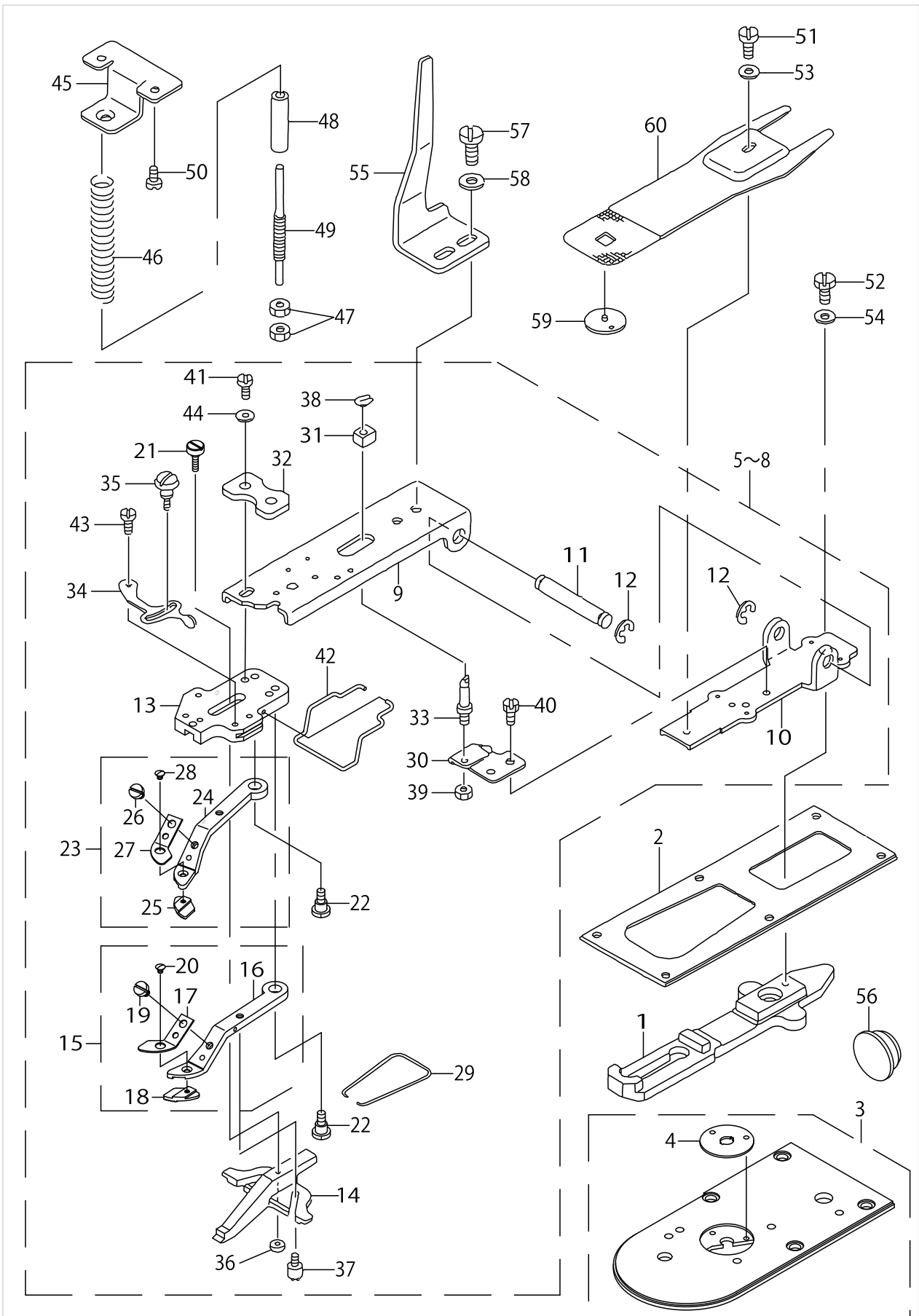
LK-1903-301:BUTTON CLAMP COMPL. FOR SMALL-BUTTONS



LK-1903-301:BUTTON CLAMP COMPL. FOR SMALL-BUTTONS

No.	Supply Code	Parts No.	Replacement	Parts name	Remarks	Choice	Step	Level	Cons	Qty	Rep. QTY
1		14145106		CLOTH FEED PLATE						1	
2	R	13517602	26223602	FEED PLATE PRESSER PLATE						1	1.00
3	D	14149256		NEEDLE PLATE J						1	
4		MAZ15501000		GUIDE				*		1	
5		14145551		SMALL CLAMP MECHANISM ASM.	FOR LK-1903-301					1	
6		14145650		MEDIUM CLAMP MECHANISM ASM.	FOR LK-1903-302					1	
7		14145759		LARGE CLAMP MECHANISM ASM.	FOR LK-1903-303					1	
8		14145858		VERY SMALL CLAMP MECHANISM ASM	FOR LK-1903-304					1	
9		14146203		PICK-UP FOOT INSTALLING BASE				*		1	
10		14146104		PICK-UP INSTALLING BASE				*		1	
11		14141402		INSTALLING SHAFT				*		1	
12		RE0700000K0		E-RING 7				*		2	
13		14146302		PICK-UP FOOT INSTALLING BASE				*		1	
14	R	B2552372000	26025908	BUTTON CLAMP SLIDE				*		1	1.00
15		14148852		SMALL CLAMP JAW LEVER ASM.,R	FOR LK-1903-301			*		1	
16	R	MAZ15507000	MAZ155070B0	SMALL CLAMP JAW LEVER ASM.,L				*		1	1.00
17		MAZ15509000		SPRING, RIGHT				*		1	
18	R	14148803	14148852	PLATE K, R				*		1	1.00
19		SS7090410SP		SCREW 9/64-40 L=3.5				*		1	
20		SS2060310SP		SCREW 3/32-56 L=3				*		1	
21		SD0550303TP		HINGE SCREW D=5.5 H=3				*		1	
22		SD0640391TP		HINGE SCREW D= 6.35 H= 3.9				*		2	
23		14148951		SMALL CLAMP JAW LEVER ASM.,L	FOR LK-1903-301			*		1	
24	R	MAZ15508000	MAZ155080B0	SMALL CLAMP JAW LEVER, L				*		1	1.00
25	R	14148902	14148951	PLATE K, L				*		1	1.00
26		SS7090410SP		SCREW 9/64-40 L= 3.5				*		1	
27		MAZ15510000		SPRING, LEFT				*		1	
28		SS2060310SP		SCREW 3/32-56 L=3				*		1	
29		MAZ15513000		BUTTON CLAMP JAW LEVER SPRING				*		1	
30		MAZ15514000		SUPPORT PLATE				*		1	
31		MAZ15515000		SLIDE BLOCK				*		1	
32		14146401		PRESSER PLATE				*		1	
33		13540901		STATIONING BLOCK SHAFT				*		1	
34		B2548372000		SNAP FASTENER C-LAMP STOP LEVER				*		1	
35		B2549372000		CLAMP SCREW A				*		1	
36		B2553372000		NUT				*		1	
37		B2560372000		BUTTON CLAMP STOP PIN				*		2	
38		D2548232D00		SNAP RING, FOR CONNECTING ROD				*		1	
39		NS6150310SP		NUT 15/64-28				*		1	
40		SS9110460CP		SCREW 11/64-40 L=4				*		2	
41		SS9621413SP		SCREW 3/16-32 L=13.5				*		2	
42		D3130M1YC00		FINGER GUARD				*		1	
43		SD0550181SP		HINGE SCREW D= 5.50 H= 1.8				*		1	
44		WP0501016SD		WASHER 5X10.5X1				*		2	
45		13811906		ACCEPT PLATE, UPPER						1	

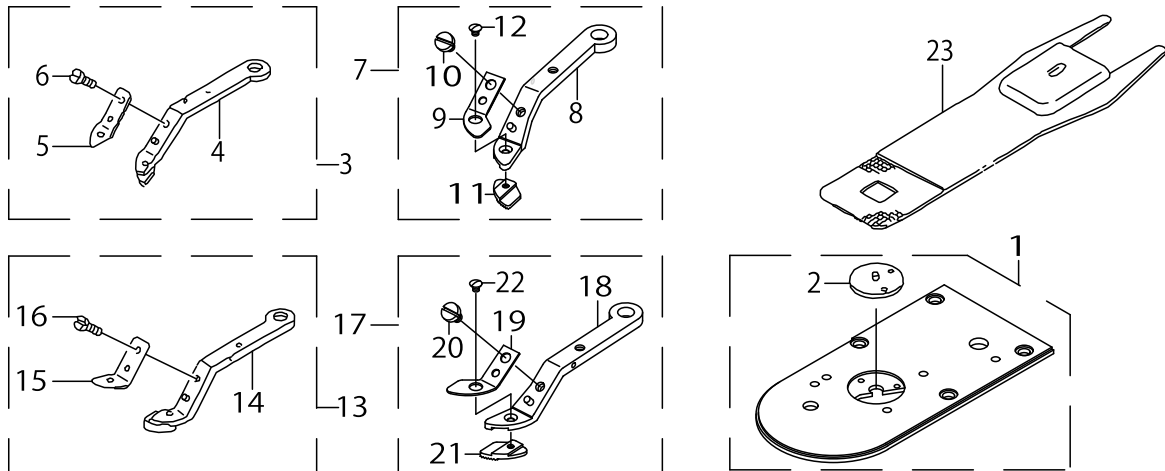
LK-1903-301:BUTTON CLAMP COMPL. FOR SMALL-BUTTONS



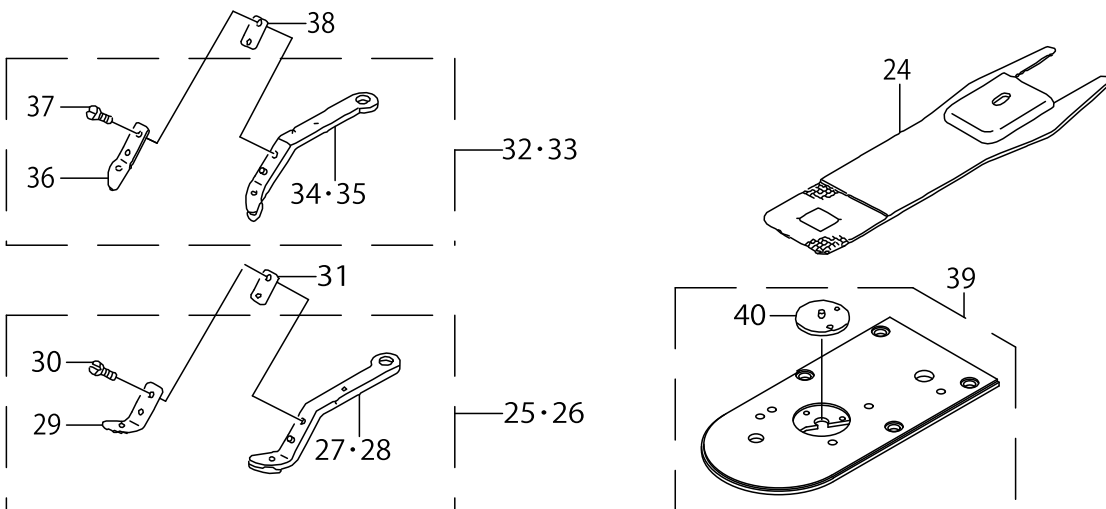
LK-1903-301:BUTTON CLAMP COMPL. FOR SMALL-BUTTONS

No.	Supply Code	Parts No.	Replacement	Parts name	Remarks	Choice	Step	Level	Cons	Qty	Rep. QTY
46		13812003		PRESSURE SPRING						1	
47	R	B3125012000	22928808	THREAD TENSION NUT						2	1.00
48		D2527232D00		SLEEVE						1	
49		14146906		ADJUSTING SHAFT						1	
50		SS7110840SP		SCREW 11/64-40 L=7.8						2	
51		SS9110543CP		SCREW 11/64-40 L=5.3						1	
52		SM6061202TP		SCREW M6 L=12						1	
53		WP0501016SD		WASHER 5X10.5X1						1	
54		WP0612516SD		WASHER 6.1X15.2X2.5						1	
55		MAZ15516000		MOVING PLATE						1	
56		TA2100904R0		RUBBER PLUG						1	
57		SS9151120CP		SCREW 15/64-28L=11						2	
58		WP0612516SD		WASHER 6.1X15.2X2.5						2	
59		14149603		NEEDLE HOLE GUIDE						1	
60		MAZ15502000		PRESSURE PLATE						1	

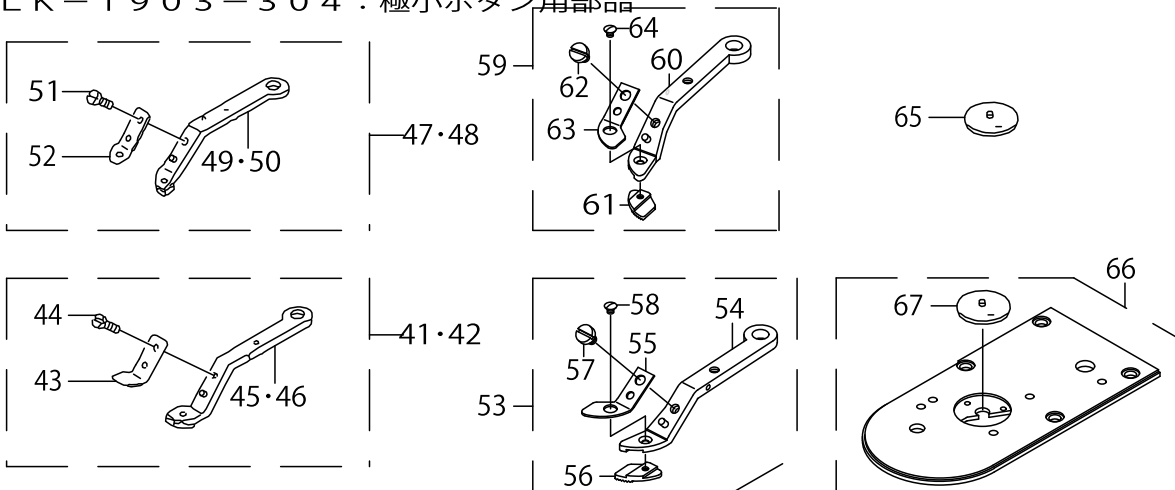
LK-1903-302:BUTTON CLAMP COMPL. FOR MEDIUM-SIZED BUTTONS  
 L K - 1 9 0 3 - 3 0 2 : 中ボタン用部品



LK-1903-303:BUTTON CLAMP COMPL. FOR LARGE-SIZED BUTTONS  
 L K - 1 9 0 3 - 3 0 3 : 大ボタン用部品



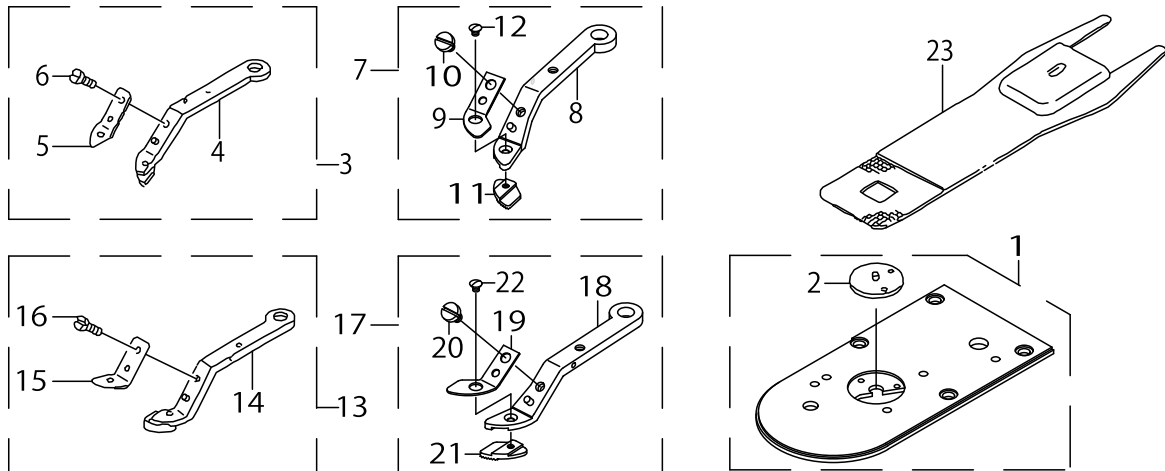
LK-1903-304:BUTTON CLAMP COMPL. FOR VERY SMALL-SIZED BUTTONS  
 L K - 1 9 0 3 - 3 0 4 : 極小ボタン用部品



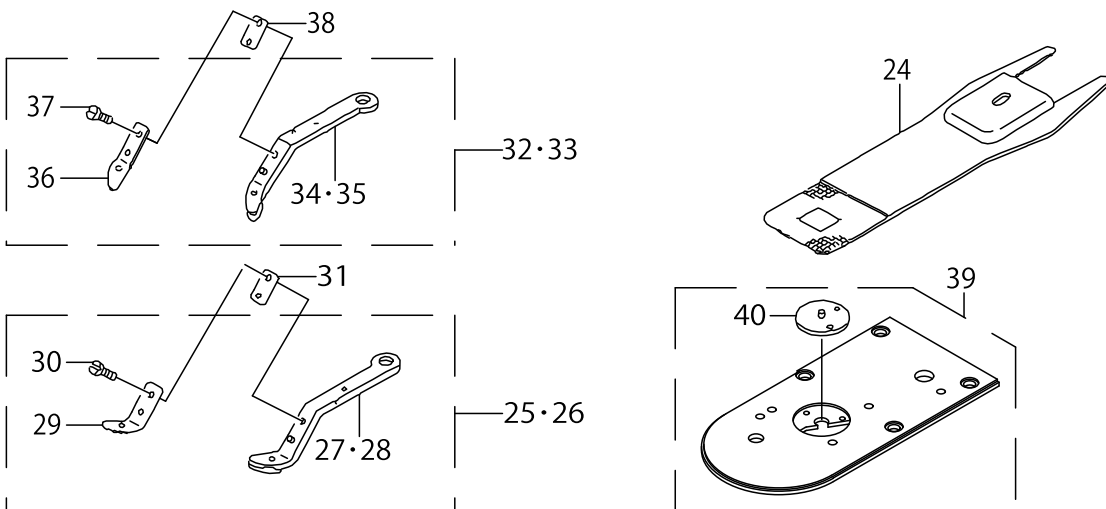
No.	Supply Code	Parts No.	Replacement	Parts name	Remarks	Choice	Step	Level	Cons	Qty	Rep. QTY
1		14149355		NEEDLE PLATE ASM., K						1	
2		MAZ15601000		GUIDE				*		1	
3		MAZ155080B0		SMALL CLAMP JAW LEVER ASM.,L	SPECIAL ORDER PARTS					1	
4	R	MAZ155080A0	MAZ155080B0	SMALL CLAMP JAW LEVER ASM.,L				*		1	1.00
5		MAZ15510000		SPRING, LEFT				*		1	
6		SS7090410SP		SCREW 9/64-40 L= 3.5				*		1	
7		14149157		MIDDLE CLAMP JAW LEVER ASM.,L						1	
8	R	MAZ15508000	MAZ155080B0	SMALL CLAMP JAW LEVER, L				*		1	1.00
9		MAZ15510000		SPRING, LEFT				*		1	
10		SS7090410SP		SCREW 9/64-40 L= 3.5				*		1	
11		14149108		PLATE L, L				*		1	
12		SS2060310SP		SCREW 3/32-56 L=3				*		1	
13		MAZ155070B0		SMALL CLAMP JAW LEVER ASM.,R	SPECIAL ORDER PARTS					1	
14	R	MAZ155070A0	MAZ155070B0	SMALL CLAMP JAW LEVER ASM.,R				*		1	1.00
15		MAZ15509000		SPRING, RIGHT				*		1	
16		SS7090410SP		SCREW 9/64-40 L= 3.5				*		1	
17		14149058		MIDDLE CLAMP JAW LEVER ASM.,R						1	
18	R	MAZ15507000	MAZ155070B0	SMALL CLAMP JAW LEVER ASM.,L				*		1	1.00
19	R	MAZ15507000	MAZ155070B0	SMALL CLAMP JAW LEVER ASM.,L				*		1	1.00
20		SS7090410SP		SCREW 9/64-40 L= 3.5				*		1	
21		14149009		PLATE L, R				*		1	
22		SS2060310SP		SCREW 3/32-56 L=3				*		1	
23		MAZ15602000		PRESSURE PLATE						1	
24		MAZ15702000		PRESSURE PLATE						1	
25		MAZ157070BB		LARGE CLAMP JAW LEVER ASM.,R						1	
26		MAZ157070BA		LARGE CLAMP JAW LEVER ASM.,R	SPECIAL ORDER PARTS					1	
27	R	MAZ157070AA	MAZ157070BA	LARGE CLAMP JAW LEVER ASM.,R	SPECIAL ORDER PARTS			*		1	1.00
28	R	MAZ157070AB	MAZ157070BB	LARGE CLAMP JAW LEVER ASM.,R				*		1	1.00
29		MAZ15709000		SPRING,RIGHT				*		1	
30		SS7090410SP		SCREW 9/64-40 L= 3.5				*		1	
31		MAZ15715000		SPACER	SPECIAL ORDER PARTS					1	
32		MAZ157080BA		LARGE CLAMP JAW LEVER ASM.,L	SPECIAL ORDER PARTS					1	
33		MAZ157080BB		LARGE CLAMP JAW LEVER ASM.,L						1	
34	R	MAZ157080AA	MAZ157080BA	LARGE CLAMP JAW LEVER ASM.,R	SPECIAL ORDER PARTS			*		1	1.00
35	R	MAZ157080AB	MAZ157080BB	LARGE CLAMP JAW LEVER ASM.,R				*		1	1.00
36		MAZ15710000		SPRING,LEFT				*		1	
37		SS7090410SP		SCREW 9/64-40 L= 3.5				*		1	
38		MAZ15715000		SPACER	SPECIAL ORDER PARTS					1	
39		14149454		NEEDLEPLATEASM.L						1	
40		MAZ15701000		GUIDE				*		1	
41		MAZ158070BB		EXTRA SMALL CLAMP LEVER ASM.,R						1	
42		MAZ158070BA		EXTRA SMALL CLAMP LEVER ASM.,L	SPECIAL ORDER PARTS					1	



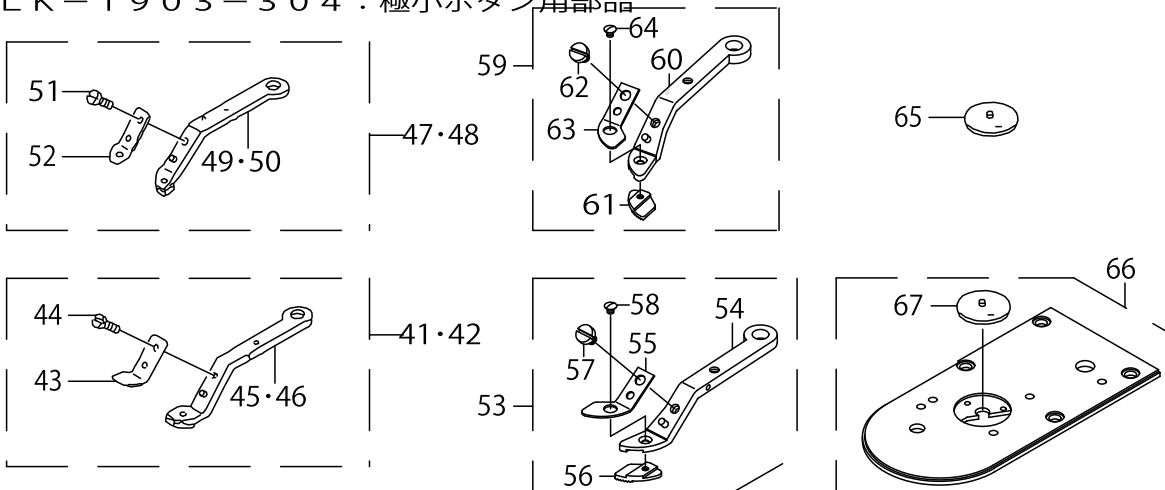
LK-1903-302:BUTTON CLAMP COMPL. FOR MEDIUM-SIZED BUTTONS  
 L K - 1 9 0 3 - 3 0 2 : 中ボタン用部品



LK-1903-303:BUTTON CLAMP COMPL. FOR LARGE-SIZED BUTTONS  
 L K - 1 9 0 3 - 3 0 3 : 大ボタン用部品

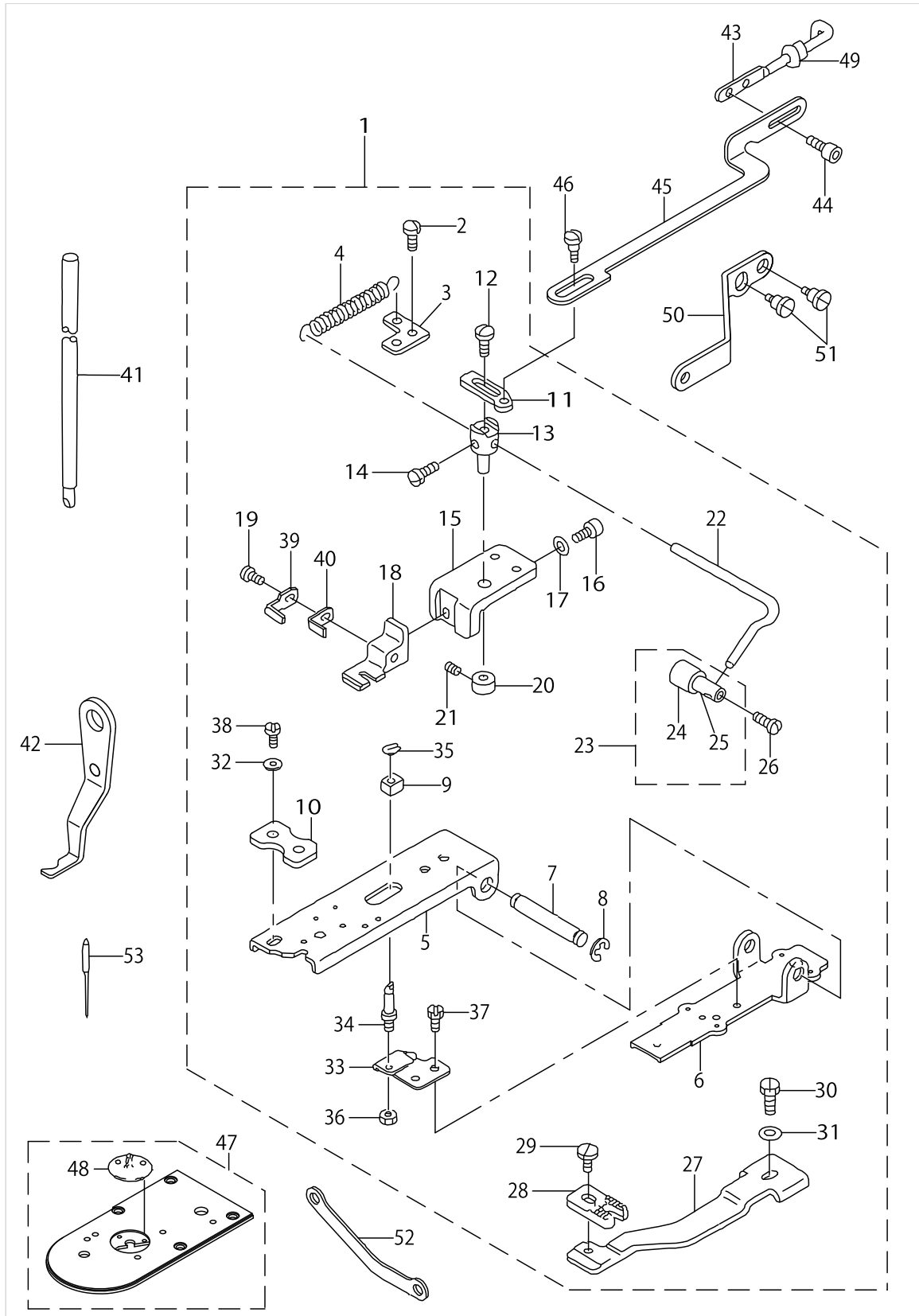


LK-1903-304:BUTTON CLAMP COMPL. FOR VERY SMALL-SIZED BUTTONS  
 L K - 1 9 0 3 - 3 0 4 : 極小ボタン用部品



No.	Supply Code	Parts No.	Replacement	Parts name	Remarks	Choice	Step	Level	Cons	Qty	Rep. QTY
43		MAZ15809000		SPRING,RIGHT				*		1	
44		SS7090410SP		SCREW 9/64-40 L=3.5				*		1	
45	R	MAZ158070AB	MAZ158070BB	EXTRA SMALL CLAMP LEVER ASM.,L				*		1	1.00
46	R	MAZ158070AA	MAZ158070BA	EXTRA SMALL CLAMP LEVER ASM.,L	SPECIAL ORDER PARTS			*		1	1.00
47		MAZ158080BA		EXTRA SMALL CLAMP LEVER ASM.,L	SPECIAL ORDER PARTS					1	
48		MAZ158080BB		EXTRA SMALL CLAMP LEVER ASM.,L						1	
49		MAZ158080AA		EXTRA SMALL CLAMP LEVER ASM.,L	SPECIAL ORDER PARTS			*		1	
50	R	MAZ158080AB	MAZ158080BB	EXTRA SMALL CLAMP LEVER ASM.,L				*		1	1.00
51		SS7090410SP		SCREW 9/64-40 L=3.5				*		1	
52		MAZ15810000		SPRING,LEFT				*		1	
53		14148852		SMALL CLAMP JAW LEVER ASM.,R	ACCESSORIE PARTS					1	
54	R	MAZ15507000	MAZ155070B0	SMALL CLAMP JAW LEVER ASM.,L				*		1	1.00
55		MAZ15509000		SPRING, RIGHT				*		1	
56	R	14148803	14148852	PLATE K, R				*		1	1.00
57		SS7090410SP		SCREW 9/64-40 L=3.5				*		1	
58		SS2060310SP		SCREW 3/32-56 L=3				*		1	
59		14148951		SMALL CLAMP JAW LEVER ASM.,L	ACCESSORIE PARTS					1	
60	R	MAZ15508000	MAZ155080B0	SMALL CLAMP JAW LEVER, L				*		1	1.00
61	R	14148902	14148951	PLATE K, L				*		1	1.00
62		SS7090410SP		SCREW 9/64-40 L=3.5				*		1	
63		MAZ15510000		SPRING, LEFT				*		1	
64		SS2060310SP		SCREW 3/32-56 L=3				*		1	
65		14149900		NEEDLE HOLE GUIDE	OPTIONAL PARTS					1	
66	D	14149553		NEEDLE PLATE ASM., M						1	
67		MAZ15801000		GUIDE				*		1	

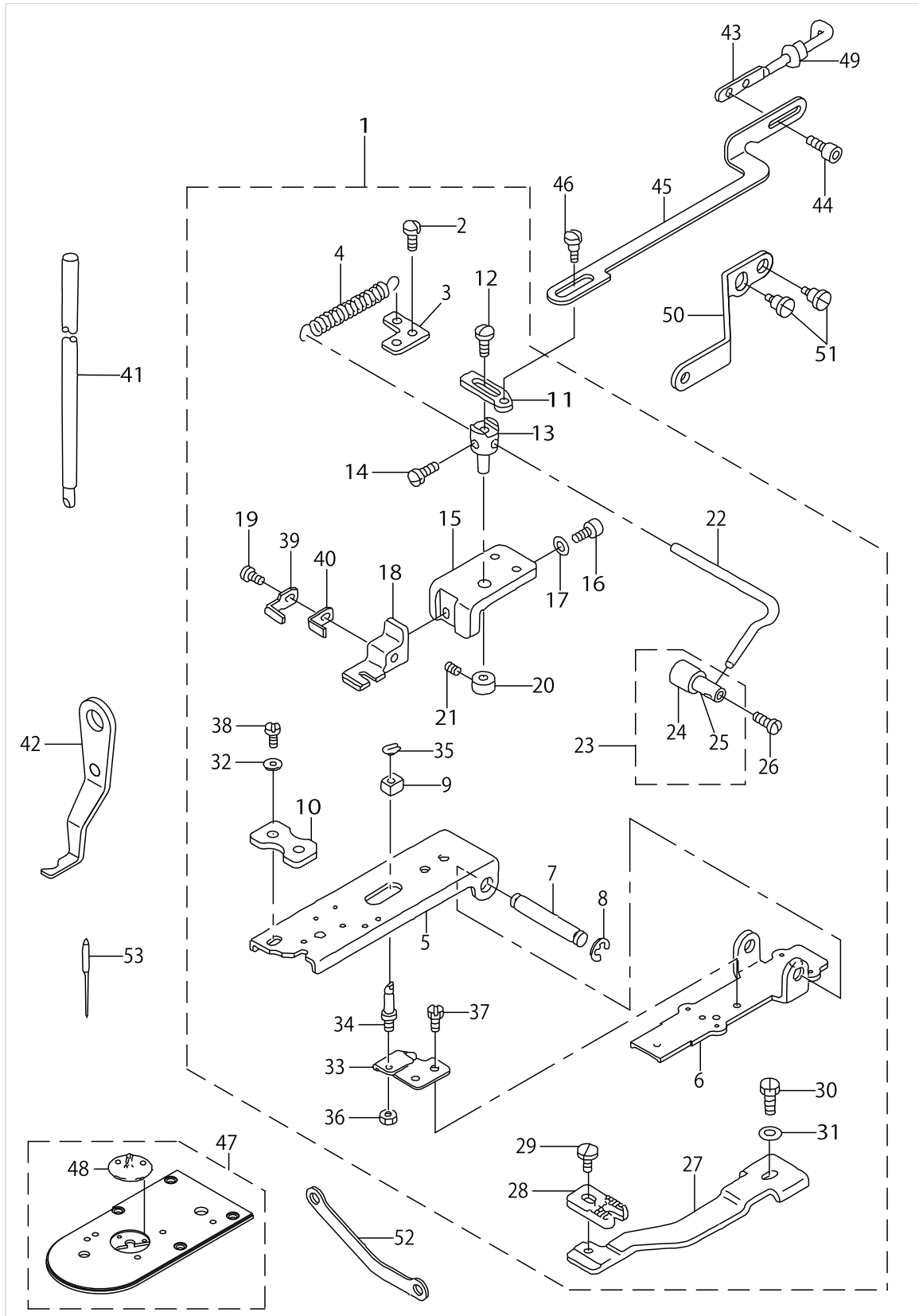
LK-1903-305:SHANK BUTTON CLAMP MECHANISM COMPONENTS



LK-1903-305:SHANK BUTTON CLAMP MECHANISM COMPONENTS

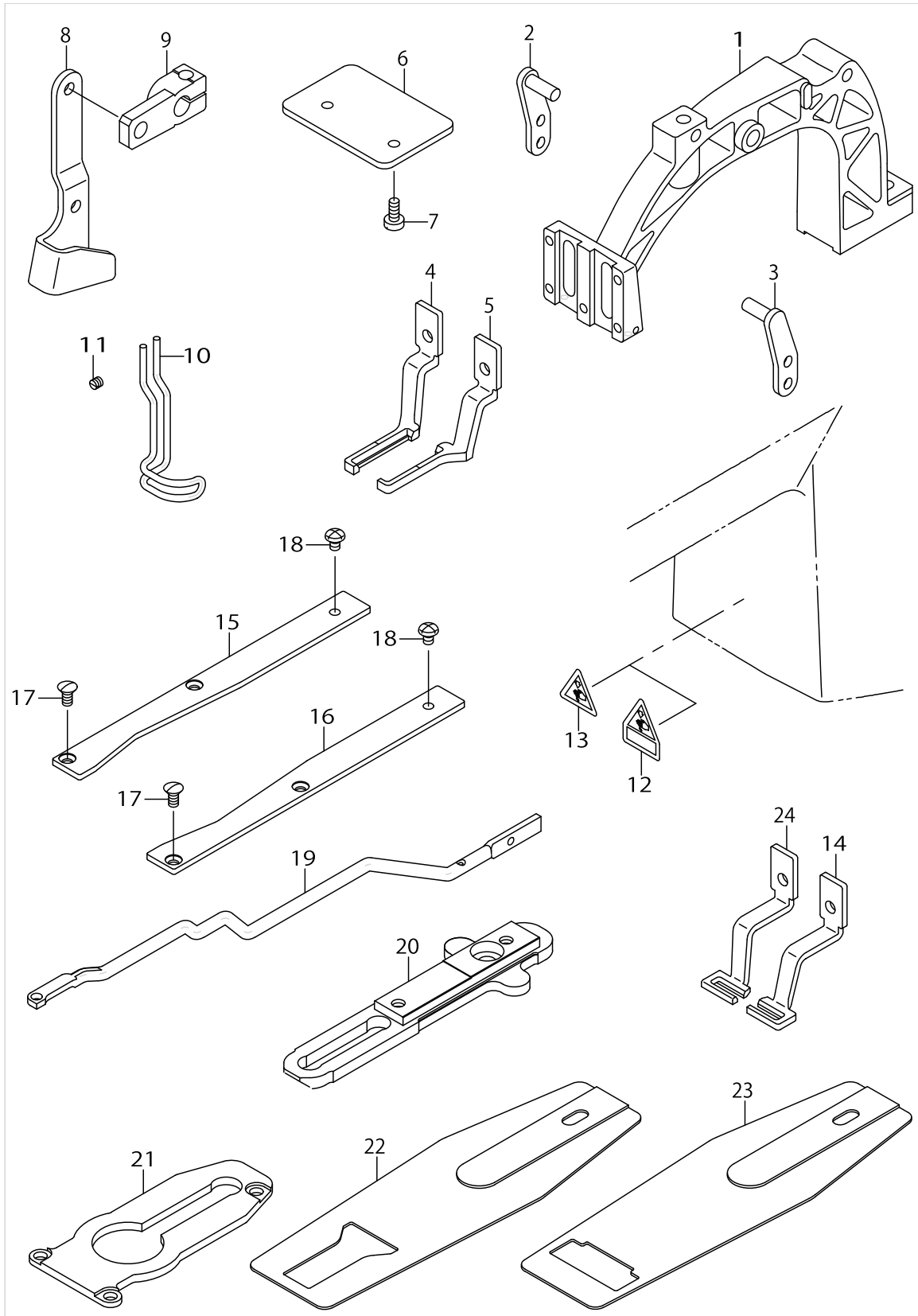
No.	Supply Code	Parts No.	Replacement	Parts name	Remarks	Choice	Step	Level	Cons	Qty	Rep. QTY
1		14146054		PICK-UP DEVICE COMPL.						1	
2		SS7110740TP		SCREW 11/64-40 L=7				*		2	
3		MAZ16012000		LEVER SPRING HOOK				*		1	
4		MAZ16013000		BUTTON SUPPORT LEVER SPRING				*		1	
5		14146203		PICK-UP FOOT INSTALLING BASE				*		1	
6		14146104		PICK-UP INSTALLING BASE				*		1	
7		14141402		INSTALLING SHAFT				*		1	
8		RE0700000K0		E-RING 7				*		2	
9		MAZ15515000		SLIDE BLOCK				*		1	
10		14146401		PRESSER PLATE				*		1	
11		MAZ16014000		BUTTON SUPPORT RELEASE LEVER				*		1	
12		SS7110740TP		SCREW 11/64-40 L=7				*		1	
13		MAZ16011000		BUTTON SUPPORT LEVER SHAFT				*		1	
14		SS7110740TP		SCREW 11/64-40 L=7				*		1	
15		MAZ16004000		BUTTON CLAMP BASE				*		1	
16		SS6111052TP		SCREW				*		1	
17		WP0482086SD		WASHER 4.8X11.5X2				*		1	
18		MAZ16005000		BUTTON CLAMP BASE				*		1	
19		SS7090510SP		SCREW 9/64-40 L=4.6				*		1	
20		CS0640811SP		THRUST COLLAR D=6.35 W=8				*		1	
21		SS8110410TP		SCREW 11/64-40 L= 3.5				*		1	
22		MAZ16010000		BUTTON SUPPORT LEVER				*		1	
23		MAZ160090A0		BUTTON SUPPORT RUBBER ASM.				*		1	
24		MAZ16009000		BUTTON SUPPORT RUBBER				*		1	
25		B2406372000		SHANK BUTTON HOLDING CLAMP				*		1	
26		SS7110740TP		SCREW 11/64-40 L=7				*		1	
27		MAZ16002000		FEED PLATE				*		1	
28		MAZ1600300A		FEED PLATE, A				*		1	
29		SS6110480SP		SCREW 11/64-40 L=4.3				*		1	
30		SS9111010SP		SCREW 11/64-40 L=9.5				*		1	
31		WP0482086SD		WASHER 4.8X11.5X2				*		1	
32		WP0501016SD		WASHER 5X10.5X1				*		2	
33		MAZ15514000		SUPPORT PLATE				*		1	
34		13540901		STATIONING BLOCK SHAFT				*		1	
35		D2548232D00		SNAP RING, FOR CO- NECTING ROD				*		1	
36		NS6150310SP		NUT 15/64-28				*		1	
37		SS9110460CP		SCREW 11/64-40 L=4				*		2	
38		SS9621413SP		SCREW 3/16-32 L=13.5				*		2	
39		MAZ16022000		BUTTON CLAMP S- UPPORT, FRONT				*		1	
40		MAZ16023000		BUTTON CLAMP SUPPORT, REAR				*		1	
41		D1401M1YC0A		NEEDLE BAR						1	
42		14147904		WIPER						1	
43		13810908		MOVING PLATE LINKA						1	
44		SS6090612TP		SCREW 9/64-40 L=6						2	
45		MAZ16015000		BUTTON SUPPORT LINK						1	

LK-1903-305:SHANK BUTTON CLAMP MECHANISM COMPONENTS



LK-1903-305:SHANK BUTTON CLAMP MECHANISM COMPONENTS

No.	Supply Code	Parts No.	Replacement	Parts name	Remarks	Choice	Step	Level	Cons	Qty	Rep. QTY
46		SD0640321TP		HINGE SCREW D=6.35 H=3.2						1	
47	D	14149751		NEEDLE PLATE ASM. N						1	
48		MAZ16021000		NEEDLE HOLE GUIDE				*		1	
49		14148209		BUSHING						1	
50		14148100		CONNECTING LINK						1	
51	D	SD0700271TP		HINGE SCREW						2	
52		13864400		WIPER LINK						1	
53		MTQ300B1400		NEEDLE TQX3 #14						1	

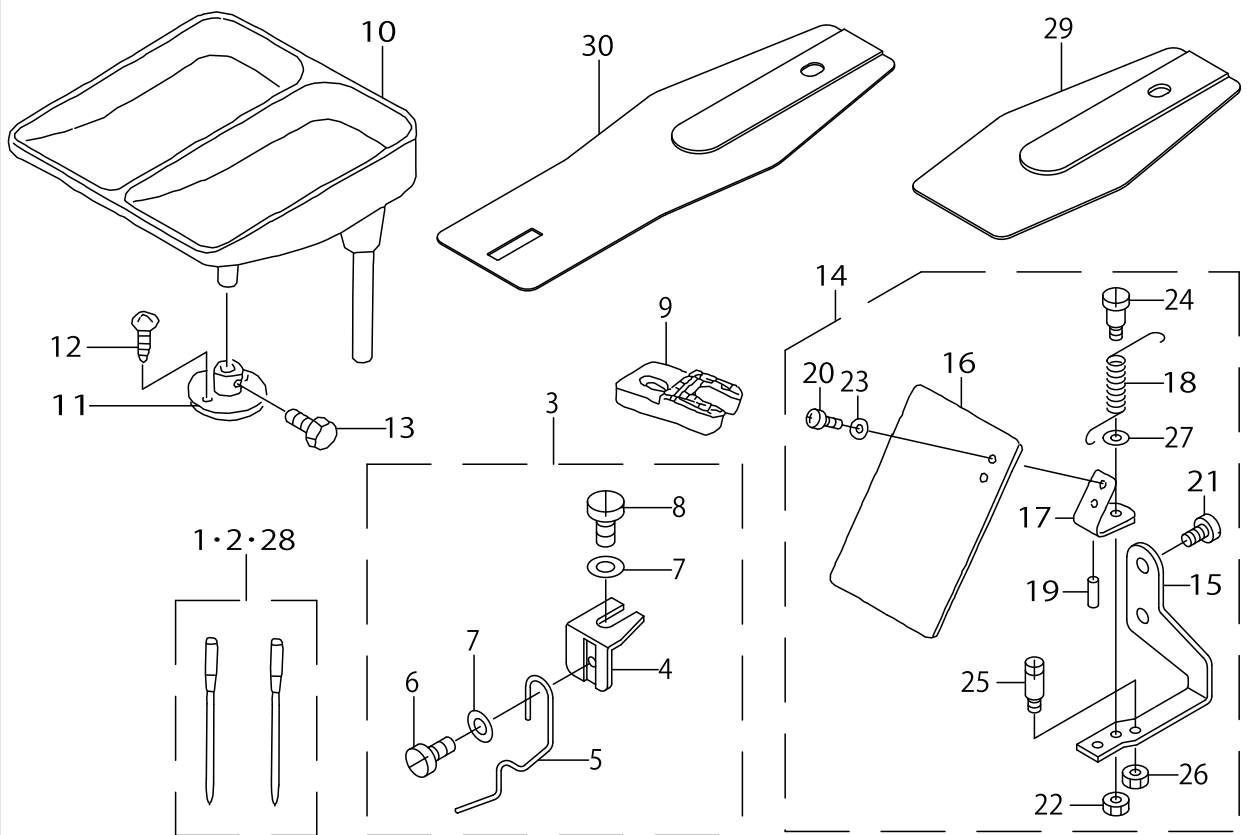


## LK-1904

No.	Supply Code	Parts No.	Replacement	Parts name	Remarks	Choice	Step	Level	Cons	Qty	Rep. QTY
1	D	14136709		CLOTH FEED BASE						1	
2		14137053		LEVER DRIVING PLATE COMPL.,L						1	
3		14136956		LEVER DRIVING PLATE COMPL.,R						1	
4		14137608		WORK CLAMP FOOT A ,LEFT						1	
5		14137509		WORK CLAMP FOOT A ,RIGHT						1	
6	R	14136808	40039255	SUPPORT PLATE						1	1.00
7		SS6111010TP		SCREW 11/64-40 L= 9.5						2	
8		14135503		LOWERING FOOT						1	
9		14135602		LOWERING ARM						1	
10		14135305		FINGER GUARDE						1	
11		SS8110422TP		SCREW 11/64-40 L=4						1	
12		CM3002000B2		LABEL(25).						1	
13		CM300200002		CAUTION LABEL(25)						1	
14		14137806		CLOTH PRESSER FOOT B ,RIGHT	OPTIONAL PARTS					1	
15		14136303		CLOTH FEED PRESSER PLATE ,L						1	
16		14136204		CLOTH FEED PRESSER PLATE ,R						1	
17		SS2110920TP		SCREW 11/64-40 L=8.5						4	
18		SS4110615SP		SCREW 11/64-40 L=6						2	
19		14135701		CONNECTING BAR						1	
20		14136113		CLOTH FEED PLATE						1	
21		14136006		CLOTH FEED SUPPORT PLATE						1	
22		14137707		CLOTH PRESSER LOWER PLATE A						1	
23		14138002		CLOTH PRESSER LOWER PLATE B	OPTIONAL PARTS					1	
24		14137905		CLOTH PRESSER FOOT B ,LEFT	OPTIONAL PARTS					1	



ACCESSORIES PARTS FOR LK-1900 SUB CLASSES



ACCESSORIES PARTS FOR LK-1900 SUB CLASSES

No.	Supply Code	Parts No.	Replacement	Parts name	Remarks	Choice	Step	Level	Cons	Qty	Rep. QTY
1	R	MDP170B1402	MDP170B1400	NEEDLE DPX17#14-2						1	1.00
2		MTQ300B1402		TQX3#14-2						1	
3		14146757		BUTTON RISING BAR ASM.						1	
4		14146807		INSTALLING BASE				*		1	
5		14146708		BUTTON RISING BAR				*		1	
6		SS6080340SP		SCREW 1/8-44 L=2.9				*		1	
7		WP0370316SD		WASHER 3.7X8X0.3				*		2	
8		SS9090813TP		SCREW 9/64-40 L=8				*		1	
9		MAZ1600300B		FEED PLATE, B						1	
10		17848458		BUTTON TRAY ASM.						1	
11	R	17848508	40033635	BUTTON TRAY BASE						1	1.00
12		SK3412001SE		WOOD SCREW D=4.1 L=20						2	
13		SS9151210TP		SCREW 15/64-28 L=11.8						1	
14	R	13863758	40052815	SHAFT PLATE COMPL.						1	1.00
15	R	13863709	40006485	SAFETY PLATE INSTALLING PLATE		A	LK-1900A	*		1	1.00
15	R	13863709	40052815	SAFETY PLATE INSTALLING PLATE		B	LK-1850	*		1	1.00
16		13889407		SAFETY PLATE				*		1	
17		B3121980000		SAFETY PLATE INSTALLING PLATE				*		1	
18		13863808		SAFETY PLATE BACK SPRING				*		1	
19		PS0200062KH		SPRING PIN 2X6				*		1	
20		SS4110715SP		SCREW 11/64-40 L=7				*		2	
21		SS6110810TP		SCREW 11/64-40 L=8				*		2	
22		NS6110310SP		NUT 11/64-40				*		1	
23		WP0450801SD		WASHER 4.5X10X0.8				*		2	
24		SD0601021SP		HINGE SCREW D=6 H=10.2				*		1	
25	R	B1506352000	26226407	TENSION SPRING RACK B				*		1	1.00
26		NS6120310SP		NUT 3/16-28				*		1	
27		WP0740516SP		WASHER 7.4X11.8X0.5				*		1	
28		MDP170B1902		NEEDLE DPX17#19-2						1	
29		14138101		PRESSER PLATE COVER						1	
30		14116909		FEED PLATE I						1	



## HOW TO MAKE USE OF THIS PARTS LIST

### 1.Explanation of codes

1)"\*"mark.....means this part is changed from the previous parts book.

As to the details of the change, refer to the "List for information of change".

2)"#01".....refer to "Note" explanation at bottom of page.

### 2.Codes on the "Qty" column

- Each numeral indicates the number of parts required.
- "0.1" and "2.5" indicate the length (in meters) of the respective parts.

3.Parentheses mean that the corresponding part is a subpart that constructs an assembly part.

4.Dotted lines on the Figures indicate assembly parts.

### 1."注記"欄の記号説明

1) "\*"印.....前回のパーツブックに比較して今回変更された部品を意味します。

変更内容は、"変更情報リスト"を参照してください。

2) "#01".....ページ下の"注記"の説明を参照してください。

2.数量欄の数字は、個数を表し、0.1、2.5等の数値は、長さ（単位メートル）を表します。

3.数量欄の（ ）は、組部品を構成している子部品であることを意味します。

4.イラストページの-----枠は、組構成であることを意味します。

# NUMERICAL INDEX OF PARTS

PART NO	PAGE	REF NO.	PART NO	PAGE	REF NO.	PART NO	PAGE	REF NO.
10004109	2	11	13518600	28	44~46	13545801	68	11·15~19
10087906	60	54	13518600	50	2·5·8·11-- 14·17	13546700	68	11·15~19
10087906	64	24				13547005	68	11·15~19
10087906	68	21	13518659	50	1·4·7·10-- 13·16	13547161	68	13·14
10087906	70	14	13518709	30	47~49	13548003	50	28~36·65 ~67
10502300	4	47	13518709	50	3·6·9·12-- 15·18	13548102	30	44~46
10523504	18	61	13518907	28	22	13548102	50	2·5·8·11-- 14·17
11018504	2	28	13529003	32	8	13548151	50	1·4·7·10-- 13·16
11043007	24	20	13529607	16	24	13548201	30	47~49
11043304	24	8	13533104	28	23·60	13548201	50	3·6·9·12-- 15·18
11072402	4	78	13540604	60	50	13548300	30	23·60
11155108	56	30	13540901	74	33	13548300	50	37·38
11155207	56	31	13540901	82	34	13548508	50	2·5·8·11-- 14·17
11158300	56	7	13541107	58	27	13548557	50	1·4·7·10-- 13·16
11158300	64	30	13541313	60	46	13548607	50	3·6·9·12-- 15·18
11158409	56	8	13541313	70	20	13548706	68	11·15~19
11158409	64	31	13541404	58	9	13551205	46	2
11158516	56	11	13541503	58	43	13551254	46	1
11158516	64	34	13541602	58	2	13554506	50	28~36·65 ~67
11158607	56	9	13542402	50	2·5·8·11-- 14·17	13554803	28	16
11158607	64	32	13542451	50	1·4·7·10-- 13·16	13554803	52	28~36·65 ~67
11159001	56	14	13542501	50	3·6·9·12-- 15·18	13556154	24	21~23
11159001	64	39	13542915	28	44~46	13561303	50	21
13502307	2	13	13542915	50	2·5·8·11-- 14·17	13561352	50	20
13506415	12	20	13542964	50	1·4·7·10-- 13·16	13561360	50	19
13507504	4	59	13543012	30	47~49	13561402	50	25
13508700	18	63	13543012	50	3·6·9·12-- 15·18	13561451	50	24
13508809	18	64	13543715	64	6	13562509	50	22
13508908	18	65	13543764	64	2	13562608	50	26
13509500	20	1	13543764	68	8	13571906	48	57
13509708	20	3	13543806	64	10	13571906	50	2·5·8·11-- 14·17
13509807	20	4	13543905	64	15	13571955	50	1·4·7·10-- 13·16
13509955	20	5	13544051	64	19	13572003	48	50
13513304	22	6	13544465	64	3	13572003	50	3·6·9·12-- 15·18
13515507	24	24	13544465	68	9	13573407	48	49
13515556	24	21~23	13544614	64	5	13573407	50	39
13516208	28	24	13544705	12	22	13574009	20	9
13517206	28	18	13544705	64	17			
13517404	28	20	13545504	68	11·15~19			
13517602	60	53	13545660	68	13·14			
13517602	74	2						
13517800	28	36						
13518105	28	39						
13518352	28	42						
13518501	28	40						

# NUMERICAL INDEX OF PARTS

PART NO	PAGE	REF NO.	PART NO	PAGE	REF NO.	PART NO	PAGE	REF NO.
13786306	2	14	14103352	18	56~58	14108906	24	7
13786306	64	25	14103352	52	47~50	14108955	24	5
13786306	68	23	14103501	16	36	14109250	26	78
13810908	82	43	14103659	18	56~58	14109300	24	16
13811906	74	45	14103659	52	47~50	14109607	24	43~45
13812003	76	46	14103659	68	22	14109607	50	42~46
13812102	16	41	14103758	16	2·3	14109607	68	5
13812102	46	15	14103907	16	6	14109755	24	21~23
13816764	2	23	14104004	16	17	14110001	30	50
13816855	18	62	14104152	12	1	14110209	30	75
13817754	56	13	14104202	12	2	14110811	30	81
13817754	64	36	14104301	12	3	14111504	30	76
13860200	12	34	14104400	12	4	14111702	30	77
13860408	46	38	14104608	12	6	14111801	30	79
13860606	12	35	14104707	12	8	14112304	28	3
13863709	88	15	14104806	12	11	14112353	28	1
13863758	88	14	14105001	12	10	14112403	28	7
13863808	88	18	14105209	12	15	14112452	28	6
13864350	54	26	14105308	12	16	14112502	28	14
13864400	54	27	14105407	28	43	14113450	4	75
13864400	84	52	14105506	14	51	14113468	4	74
13864509	54	28	14105605	14	44	14113658	4	58
13864509	70	31	14105704	12	21	14113666	4	57
13889407	88	16	14105852	12	12	14114102	32	1
13943204	46	5	14105902	14	54	14114300	32	3
14100309	2	39	14106009	14	55	14114409	32	4
14100408	2	2	14106108	14	53	14114508	8	44
14100457	2	1	14106256	16	26	14114607	32	13
14100507	4	56	14106306	16	25	14114805	32	12·27
14100606	4	55	14106405	16	4	14114904	32	2
14100705	2	6	14106553	46	37	14115158	34	1
14100754	2	5	14106561	46	39	14115257	34	2
14100903	2	8	14106603	48	44	14115356	10	75
14101000	2	9	14106652	46	43	14115356	34	3
14101208	2	22	14106702	16	1	14115455	34	6
14102107	6	2	14107106	52	69	14115554	34	4
14102206	6	3	14107155	52	68	14115653	34	5
14102305	6	4	14107205	52	70	14116107	30	82
14102404	6	1	14107304	52	72	14116107	50	28~36·65 ~67
14102503	6	5	14107502	22	1	14116206	28	15
14102701	6	7	14107601	26	66	14116206	50	28~36·65 ~67
14102800	6	8	14107700	22	2	14116305	50	28~36·65 ~67
14103006	16	20	14108500	24	2	14116404	30	73·74
14103253	18	56~58	14108609	24	3			
14103253	52	47~50	14108807	24	6			

# NUMERICAL INDEX OF PARTS

PART NO	PAGE	REF NO.	PART NO	PAGE	REF NO.	PART NO	PAGE	REF NO.
14116404	50	28~36·65 ~67	14136956	86	3	14146302	74	13
14116503	48	47·48	14137053	86	2	14146401	74	32
14116503	50	28~36·65 ~67	14137509	86	5	14146401	82	10
14116602	50	28~36·65 ~67	14137608	86	4	14146708	88	5
14116701	50	28~36·65 ~67	14137707	86	22	14146757	88	3
14116800	30	73·74	14137806	86	14	14146807	88	4
14116800	52	28~36·65 ~67	14137905	86	24	14146906	76	49
14116909	48	47·48	14138002	86	23	14147003	62	17
14116909	52	28~36·65 ~67	14138101	88	29	14147003	70	12
14116909	88	30	14140206	58	40	14147102	62	18
14117519	56	1	14140255	58	8	14147102	70	13
14118053	56	2	14140263	58	1	14147201	62	23
14118152	56	3	14140354	58	20	14147201	70	18
14118251	56	4	14140552	58	28	14147359	62	20
14118350	64	27	14140750	58	35	14147359	70	15
14120000	50	40	14140909	58	24	14147607	54	5
14120109	52	51~55	14141055	58	15	14147607	70	35
14120208	52	51~55	14141105	58	17	14147755	54	25
14120307	52	51~55	14141204	58	33	14147755	70	28
14120406	52	51~55	14141402	58	21	14147904	82	42
14120505	52	51~55	14141402	74	11	14148100	84	50
14121255	52	61	14141402	82	7	14148209	84	49
14121263	52	60	14141501	58	41	14148407	62	19
14121354	52	62	14141758	62	2	14148407	72	44
14121701	52	56·58	14141857	62	1	14148803	74	18
14121800	52	57·59	14141907	62	5	14148803	80	56
14121909	52	56·58	14142004	62	15	14148852	74	15
14122006	52	57·59	14142103	62	8	14148852	80	53
14122550	54	1	14142251	54	37	14148902	74	25
14122659	54	24	14142251	62	12	14148902	80	61
14135305	86	10	14142251	70	27	14148951	74	23
14135503	86	8	14143002	64	23	14148951	80	59
14135602	86	9	14143002	68	11·15~19	14149009	78	21
14135701	86	19	14144000	64	22	14149058	78	17
14136006	86	21	14144000	68	12	14149108	78	11
14136113	86	20	14145106	74	1	14149157	78	7
14136204	86	16	14145551	74	5~8	14149256	74	3
14136303	86	15	14145650	74	5~8	14149355	78	1
14136402	30	78	14145759	74	5~8	14149454	78	39
14136709	86	1	14145858	74	5~8	14149553	80	66
14136808	86	6	14146054	82	1	14149603	76	59
			14146104	74	10	14149751	84	47
			14146104	82	6	14149900	80	65
			14146203	74	9	17007402	56	10
			14146203	82	5	17007402	64	33

# NUMERICAL INDEX OF PARTS

PART NO	PAGE	REF NO.	PART NO	PAGE	REF NO.	PART NO	PAGE	REF NO.
17845009	38	13	26501858	16	13	B1419026000	32	11·26
17848458	88	10	26501908	24	4	B1506352000	46	12
17848508	88	11	40009859	54	7	B1506352000	88	25
22537658	4	61	40009859	72	43	B1513210D00	12	23
22538151	4	62	40009860	54	8	B1515210D00	12	26
22538300	4	63	40009860	70	21	B152989000CA	4	67
22538409	4	64	40011409	16	2·3	B1649161000	26	48
22814909	16	21	A1230500000A	8	47	B1652704000	24	15
22924005	12	19	A3125002000	26	69	B1657506E00	62	10
22930309	36	14	A321600100A	4	65	B1802210D00	18	60
22930358	36	1	B1111210D00	2	15	B1808980000	16	31
22930408	36	10	B1111232000	2	25	B1812980000	16	33
22930507	36	9	B1114581000	64	1	B18129800A0	16	32
22930705	36	7	B1114581000	68	10	B1815980000	16	35·37
22930804	36	5	B1115210D00	2	10	B1816280000	64	21
22930903	36	4	B1115232000	26	72	B1816980000	16	35·37
22931000	36	3	B11152320A0	26	68	B1817210DAD	52	47~50
22931109	36	2	B1116210D00	2	12	B1818280000	16	38·39
22931208	36	15	B1116804000	26	47	B1820210D00	16	10
22931307	36	11	B1124280000	2	26	B1821210D00	16	12
22931406	36	8	B1125280000	2	27	B1822215P00	16	14
23630007	16	11·23	B1144210000	8	48	B18289800BB	18	42
26204008	28	37	B1148555000	4	66	B1836210D00	18	59
26204107	28	38	B1202280000	6	11	B185351200E	70	9
26211607	2	24	B1203280000	6	20	B1901210DA0	6	23
26217901	20	2	B1206210D00	6	12	B1901210DC0	6	22
26222208	16	40	B1212210D00	8	49	B1901280000	6	15
26224105	28	41	B1223771000	6	13	B19012800B0	6	14
26224204	50	37·38	B1223771000	26	46	B1903210000	6	25
26230706	32	11·26	B1229232000	20	6	B1903280000	6	16
26231100	16	5	B1230210D00	6	9	B1903552000	6	28
26234005	48	58	B1231210D00	6	10	B1903552000	8	28
26500009	30	51	B1401280000	10	55·56	B1904280000	8	31
26500108	30	80	B1402280000	10	57	B1905541000	6	26
26500306	6	6	B1403280000	10	58	B1905541000	8	26
26500405	12	5	B1404280000	6	29	B21012800A0	20	7·8
26500504	26	73	B1404280000	8	29	B210220500A	54	29
26500603	28	21	B1405280000	10	59	B210220500A	70	33
26500702	12	9	B1407210D00	6	24	B2109280000	20	10
26500801	12	7	B1411552000	10	62	B23022050A0	22	9·10
26500900	22	4	B14115520A0	10	61	B23022050A0	68	20
26501205	24	1	B1411804000	6	27	B23022050A0	70	8
26501304	22	5	B1411804000	8	27	B2302280000	22	11
26501403	28	2	B1414232000	10	64	B23022800A0	22	9·10
26501502	28	8	B1414232000	28	17	B2303280000	22	23



# NUMERICAL INDEX OF PARTS

PART NO	PAGE	REF NO.	PART NO	PAGE	REF NO.	PART NO	PAGE	REF NO.
B2304210D00	22	3	B3112761000	22	15·16	B91212200A0	46	26
B2312210D00	26	67	B3114232000	22	17·18	B9140372000	46	23~25
B2313280000	22	13	B3114771000	2	29	B9141372000	46	23~25
B2401210D00	24	17	B3117352000	58	7	BP300000100	32	19·25
B2406372000	82	25	B3119771000	22	19	BP600000000	32	20
B2408210D00	24	18	B3120125000	22	20	BT0500300EA	16	19
B2411210000	26	49	B3120372000	46	3	BT0600401EB	48	51
B24142800A0	24	25	B3121372000	46	4	CM200100001	38	14
B24152800A0	24	26	B3121980000	88	17	CM300100001	38	15
B2416280000	24	27	B3123352000	26	71	CM300100101	38	43
B2417280000	24	28	B3125012000	76	47	CM300200002	2	35
B2418280000	24	29	B3126012000	4	76	CM300200002	86	13
B24212800A0	24	30	B3126012000	22	21	CM3002000B2	2	34
B242328000A	24	31~35	B3126012000	26	70	CM3002000B2	86	12
B242328000B	24	31~35	B3129053000	22	17·18	CM300200101	2	30·31
B242328000C	24	31~35	B3132552000	22	22	CM3002001A1	2	30·31
B242328000D	24	31~35	B3205210000	4	68	CQ200000000	16	16
B242328000E	24	31~35	B3212761000	4	60	CQ200000000	32	15
B2424280000	24	36	B3213205000	10	72	CQ202000000	16	9·22
B2426280000	24	43~45	B3413552000	22	24	CQ202000000	32	19·25
B2426280000	50	42~46	B3413552000	64	18	CQ252200000	2	7
B242628000B	50	42~46	B3501210000	32	10	CQ252200000	32	21
B2509704000	28	19	B3506280000	32	12·27	CS0640811SP	82	20
B2539280000	64	7	B3508280000	32	16	CS079101ASH	12	29
B2545280000	22	7	B3509210D00	32	7	CS080081BSH	26	74
B2548280000	28	25	B3509220000	32	9·29	CS080081CSH	18	43
B2548280000	64	13	B3509280000	32	9·29	CS087101BSH	64	8
B2548372000	74	34	B3518280000	32	28	CS0950817SH	28	12
B2549280000	28	26	B8101210AAB	56	5	CS095081ASH	28	11
B2549280000	64	12	B8101210AAB	64	28	CS1000811SP	18	44
B2549372000	74	35	B8103980000	46	32	CS1201010SH	18	45
B2552372000	74	14	B8105210AAA	56	6	CS147121ASH	8	37
B2553372000	74	36	B8105210AAA	64	29	D1401L7VV00	10	55·56
B255728000A	28	27~31	B81085550A0	56	26	D1401L7VV00	68	1
B255728000B	28	27~31	B81085550A0	66	49	D1401L7VV00	70	6
B255728000C	28	27~31	B8133019000	46	33	D1401M1YC0A	82	41
B255728000D	28	27~31	B8153771000	56	15	D1405L7AM00	10	60
B255728000E	28	27~31	B8153771000	64	40	D1405L7AM00	68	2
B2560372000	74	37	B8202205000	46	16	D1405M7WF00	70	1
B2583210D00	42	28	B9101552000	46	17	D1818282N00	16	38·39
B2617771000	26	77	B9109555000	46	18~20	D1818282N00	68	7
B2619372000	70	10	B9110012000	46	18~20	D1901L7VVB0	70	3
B2707761000	2	16	B9111012000	46	18~20	D1904L7VV00	70	4
B302745000B	62	13	B9113012000	46	21	D1906L7VV00	70	5
B3107804000	22	14	B9121012000	46	22	D2101L7AMA0	20	7·8

# NUMERICAL INDEX OF PARTS

PART NO	PAGE	REF NO.	PART NO	PAGE	REF NO.	PART NO	PAGE	REF NO.
D2101L7AMA0	68	6	GPK570010B0	44	20	M8002430000	2	4
D2426282C00	24	43~45	HA00303000A	44	16·17	M8510590AA0	42	1·2
D2426282C00	50	42~46	HA004250000	38	26	M8510590BA0	42	1·2
D2426MMCK00	52	42~46	HA004250000	44	16·17	M85205800A0	42	34
D2502232D00	12	24	HD00057000A	12	17	M85205800A0	44	18
D2511232D00	58	19	HD00057000A	30	54	M85205900A0	42	22
D2512232D00	58	18	HD002230000	8	41	M85205900A0	44	11
D2515232D00	58	25	HD002230000	30	53	M85405900A0	38	10
D2520232D00	58	30	HD002230000	42	26	M85975900A0	44	24
D2521232D00	58	31	HF001301000	42	17~19	M85985900A0	34	13
D2527232D00	58	6	HF0041080P0	42	17~19	M85995900A0	42	15·16
D2527232D00	76	48	HK016510120	48	45	M8599590AA0	42	15·16
D2528232D00	58	5	HK016540000	48	46	M8601590AA0	38	1
D2529232D00	58	4	HK026650080	38	19	M86045900A0	38	3·4
D2545232D0A	58	12~14	HK034610020	24	13	M8604590AA0	38	3·4
D2545232D0B	58	12~14	HK03461004A	62	3·4	M86065900A0	42	3
D2545232D0C	58	12~14	HK034640000	24	14	M8612590AA0	40	49
D2548232D00	74	38	HK034640000	62	3·4	M8901590AA0A	38	11·12
D2548232D00	82	35	HK054250040	38	20	M8901590BA0A	38	11·12
D2587L8WB00	26	51	HM000860010	38	21	M89105900A0	38	2
D2588L8WB00	26	53	HX00056000B	38	22	M90015900A0	44	1
D3112L4BB00	22	15·16	HX001230000	42	27	M90025800A0	44	9
D3130M1YC00	74	42	HX00123000B	38	41	M90035900A0	44	2
D7133555B00	4	77	HX00123000C	54	34	M90045900A0	44	3
D8113555B00	56	16	HX00123000C	70	25	M90085800A0	44	4
D8113555B00	64	41	HX00147000C	38	23	M90115900A0	42	25
D8204555D00	56	32	HX00150000G	34	9	M90125900A0	42	35
E8523304000	42	17~19	HX00150000H	34	12	M90125900A0	44	19
E9567319000	38	16	HX00150000L	34	11	M90135900A0	42	33
E9607603000	42	37	HX004070000	38	24	M90135900A0	44	21
E9609603000	38	17	HX004100000	38	25	M90175800A0	44	12~ 14·22·23
EA9500B0100	32	22	M1001590000	38	5	M90205800A0	44	5·6
EA9500B0100	34	7	M10025800A0	38	6	M9020580AA0	44	5·6
EA9500B0100	38	18	M1003590000	38	7	M90215800A0	44	15
EA9500B0200	48	60	M1010590000	42	6	M90225900A0	44	7·8
EA9502B0500	42	11	M1011590000	42	7	M90235900A0	44	7·8
G1216870000	8	38	M1012590000	42	8	M90245800A0	44	12~ 14·22·23
G6705152U0A	38	44	M1030590000	42	23	M90285800A0	44	12~ 14·22·23
GAF01007000	8	50	M1031590000	42	24	M90315900A0	44	10
GCT02906000	46	23~25	M300258000B	38	8·9	M90345800A0	44	12~ 14·22·23
GPF060600A0	56	18	M300259000A	42	4·5	M90355800A0	44	12~ 14·22·23
GPF060600A0	64	37	M300259000B	42	4·5	M90415900A0	34	15
GPF06080000	56	17	M3003580000	42	20·21			
GPF06080000	64	38	M300359000A	38	8·9			
GPK570010B0	42	36	M300451100A	42	20·21			

# NUMERICAL INDEX OF PARTS

PART NO	PAGE	REF NO.	PART NO	PAGE	REF NO.	PART NO	PAGE	REF NO.
M90425900A0	34	16	MAZ15710000	78	36	NM6040000SN	24	10
M90435900A0	34	17	MAZ15715000	78	38	NM6040003SC	54	22
M90445900A0	34	20	MAZ15801000	80	67	NM6040003SC	70	29
M90475900A0	34	14	MAZ158070AA	80	45·46	NM6050001SE	36	17
M90515900A0	44	25	MAZ158070AB	80	45·46	NM6050001SP	26	57
M90525900A0	44	26	MAZ158070BA	78	41·42	NM6050001SP	46	41
M964051000A	34	18	MAZ158070BB	78	41·42	NM6060001SC	2	20
MAO11532000	48	59	MAZ158080AA	80	49·50	NM6060001SC	46	35
MAZ15501000	74	4	MAZ158080AB	80	49·50	NM6060001SE	40	48
MAZ15502000	76	60	MAZ158080BA	80	47·48	NM6080721SE	56	25
MAZ15507000	74	16	MAZ158080BB	80	47·48	NM6080721SE	66	48
MAZ15507000	78	54	MAZ15809000	80	43	NM6120001SE	56	27
MAZ15507000	80	54	MAZ15810000	80	52	NM6120001SE	66	50
MAZ155070A0	78	14	MAZ16002000	82	27	NM6160511SE	36	18
MAZ155070B0	78	13	MAZ1600300A	82	28	NM6540023SB	14	48
MAZ15508000	74	24	MAZ1600300B	88	9	NS6090310SP	2	33
MAZ15508000	78	60	MAZ16004000	82	15	NS6110310SP	4	79
MAZ15508000	80	60	MAZ16005000	82	18	NS6110310SP	46	9
MAZ155080A0	78	4	MAZ16009000	82	24	NS6110310SP	54	31
MAZ155080B0	78	3	MAZ160090A0	82	23	NS6110310SP	70	23
MAZ15509000	74	17	MAZ16010000	82	22	NS6110310SP	88	22
MAZ15509000	78	55	MAZ16011000	82	13	NS6110420SP	26	61
MAZ15509000	80	55	MAZ16012000	82	3	NS6110530SP	58	16
MAZ15510000	74	27	MAZ16013000	82	4	NS6120310SP	22	33
MAZ15510000	78	63	MAZ16014000	82	11	NS6120310SP	26	63
MAZ15510000	80	63	MAZ16015000	82	45	NS6120310SP	46	13
MAZ15513000	74	29	MAZ16021000	84	48	NS6120310SP	54	21
MAZ15514000	74	30	MAZ16022000	82	39	NS6120310SP	70	41
MAZ15514000	82	33	MAZ16023000	82	40	NS6120310SP	88	26
MAZ15515000	74	31	MDP170B1400	70	7	NS6120480SP	58	34
MAZ15515000	82	9	MDP170B1402	88	1·2·28	NS6150310SP	12	25
MAZ15516000	76	55	MDP170B1900	10	65~68	NS6150310SP	26	75
MAZ15601000	78	2	MDP170B1900	68	4	NS6150310SP	74	39
MAZ15602000	78	23	MDP170B1902	46	27~30	NS6150310SP	82	36
MAZ15701000	78	40	MDP170B1902	88	1·2·28	NS6660410SH	24	9
MAZ15702000	78	24	MDP500B1100	10	65~68	NS6660430SP	18	47
MAZ157070AA	78	27·28	MDP500B1102	46	27~30	NS6660430SP	24	11
MAZ157070AB	78	27·28	MDP500B1400	10	65~68	PA2502007A0	62	21
MAZ157070BA	78	25·26	MDP500B1402	46	27~30	PA2502007A0	70	16
MAZ157070BB	78	25·26	MDP500B1600	10	65~68	PA2502507A0	12	13
MAZ157080AA	78	34·35	MDP500B1602	46	27~30	PB000010000	48	52
MAZ157080AB	78	34·35	MTQ300B1400	84	53	PD02010000B	60	51
MAZ157080BA	78	32·33	MTQ300B1402	88	1·2·28	PJ032526001	48	53
MAZ157080BB	78	32·33	NM3034000SF	38	27	PJ304060502	12	14
MAZ15709000	78	29	NM6030003SC	38	28	PJ304060502	62	22

# NUMERICAL INDEX OF PARTS

PART NO	PAGE	REF NO.	PART NO	PAGE	REF NO.	PART NO	PAGE	REF NO.
PJ304060502	70	17	SD0640482SP	22	28	SM4031851SR	38	34
PJ309005201	48	54	SD0650305TP	26	80	SM4040601SC	42	30
PS0200062KH	46	6	SD0700271TP	84	51	SM4051405SE	36	12
PS0200062KH	88	19	SD0720321TP	22	26	SM4060801SE	8	43
PS0400142KH	8	51	SD0790311TP	26	81	SM6040602TP	12	38
RC0410415KP	62	14	SD0790601SP	12	28	SM6040602TP	26	76
RC0470611KP	20	11	SD0791271SP	70	11	SM6051202TP	46	40
RC0560711KP	4	69	SD0800331TH	42	29	SM6061202TP	58	38
RE0300000K0	16	15	SD0800341SP	12	30-31	SM6061202TP	76	52
RE0500000K0	4	70	SD0800342TP	14	46	SM6061602TP	14	45
RE0500000K0	26	64	SD0801021TP	18	49	SM6061602TP	62	24
RE0600000K0	14	49	SD1000401SP	12	32	SM6061602TP	70	19
RE0700000K0	28	32	SD1100301TP	26	50	SM6061610SC	36	6
RE0700000K0	58	22	SD1201501SP	60	48	SM6061802TP	12	37
RE0700000K0	74	12	SK3311601SE	46	56	SM6061802TP	30	61
RE0700000K0	82	8	SK3311601SE	48	56	SM6061802TP	60	47
RE0900000K0	18	48	SK3311601SE	56	33	SM6067552TP	2	18
RE1500000K0	52	71	SK3382001SE	2	21	SM6067552TP	46	34
RO044240100	62	16	SK3382001SE	34	19	SM8053002TP	24	19
RO048190100	14	56	SK3382001SE	42	13	SM8060612TP	8	39
RO069180100	28	10	SK3412001SE	88	12	SM8060612TP	28	9
RO092270200	4	71	SK3482001SE	38	42	SM8061612TP	8	40
RO154240100	10	54	SK3482001SE	42	14	SM9061203SE	56	19
SB30800100A	16	27~30	SK3482001SE	48	55	SM9061203SE	64	42
SB30800100B	16	27~30	SK3513201SE	56	34	SM9061403CP	58	37
SB30800100C	16	27~30	SL4030681SC	62	9	SM9082023SE	56	22
SB30800100D	16	27~30	SL4030681SF	38	29	SM9082023SE	64	45
SD0500091TP	24	37	SL4030881SC	62	6	SS1060210TP	24	38
SD0500803TP	26	79	SL4030881SF	42	9	SS1110640TP	26	52
SD0530221SP	20	12	SL4030891SC	38	30	SS1110640TP	50	27
SD0530221SP	22	25	SL4031291SC	12	33	SS1110640TP	58	29
SD0550181SP	74	43	SL4031291SC	30	56	SS2060310SP	74	28
SD0550271TP	58	32	SL4040681SC	38	36	SS2060310SP	78	64
SD0550303TP	74	21	SL4040881SF	38	31	SS2060310SP	80	64
SD0600181TP	54	30	SL4041081SF	38	33	SS2060510SP	10	69
SD0600181TP	72	42	SL4041091SC	38	38	SS2110920TP	30	63
SD0601021SP	46	11	SL4041291SC	8	42	SS2110920TP	86	17
SD0601021SP	88	24	SL4041291SC	30	55	SS2110930SP	28	33
SD0640211SP	20	13	SL4041291SC	42	31	SS2110930SP	64	4
SD0640261SP	54	19	SL4051091SC	38	39	SS4090415SP	16	7
SD0640261SP	70	39	SL9082091SE	56	12	SS4090515SP	22	30
SD0640321TP	84	46	SL9082091SE	64	35	SS4090715SP	2	45
SD0640391TP	12	27	SM1033501SC	38	40	SS4110515SP	30	66
SD0640391TP	22	27	SM3061052TP	30	64	SS4110515SP	32	5
SD0640391TP	74	22	SM3065052TC	38	45	SS4110515SP	34	8

NUMERICAL INDEX OF PARTS

PART NO	PAGE	REF NO.	PART NO	PAGE	REF NO.	PART NO	PAGE	REF NO.
SS4110615SP	54	35	SS6151220SP	18	53	SS8110410TP	28	13
SS4110615SP	70	26	SS6151220SP	30	69	SS8110410TP	82	21
SS4110615SP	86	18	SS6151412TP	8	32	SS8110422TP	4	72
SS4110715SP	30	58	SS6151812TP	22	32	SS8110422TP	86	11
SS4110715SP	32	23	SS6681712TP	8	33	SS8110520TP	18	46
SS4110715SP	34	10	SS7060310SP	54	9	SS8111610SP	10	73
SS4110715SP	46	8	SS7060310SP	70	22	SS8150510TP	28	34
SS4110715SP	88	20	SS7080510TP	10	70-71	SS8150822TP	12	39
SS4111015SP	2	38	SS7080510TP	68	3	SS8150822TP	18	54
SS4150715SP	2	41	SS7080510TP	70	2	SS8150822TP	26	59
SS4150715SP	14	50	SS7090410SP	24	40	SS8150822TP	64	20
SS4150915SP	64	26	SS7090410SP	74	26	SS8660530TP	8	34
SS4150915SP	68	24	SS7090410SP	78	62	SS8660610TP	8	35
SS4151215SP	2	44	SS7090410SP	80	62	SS8660612TP	30	52
SS4151215SP	14	47	SS7090510SP	82	19	SS8661012TP	26	60
SS4151215SP	62	11	SS7090610SP	58	42	SS9090813TP	88	8
SS6060410TP	16	50	SS7090850SP	60	52	SS9110460CP	58	44
SS6060410TP	18	50	SS7110710SP	52	64	SS9110460CP	74	40
SS6080340SP	10	70-71	SS7110730SP	2	17	SS9110460CP	82	37
SS6080340SP	88	6	SS7110740TP	24	54	SS9110543CP	58	36
SS6090612TP	82	44	SS7110740TP	26	54	SS9110543CP	76	51
SS6090670TP	10	63	SS7110740TP	28	35	SS9110920CP	58	23
SS6092120SP	32	24	SS7110740TP	64	14	SS9111010SP	82	30
SS6110420TP	30	67	SS7110740TP	82	26	SS9151120CP	58	10
SS6110430TP	24	39	SS7110840SP	2	46	SS9151120CP	76	57
SS6110480SP	18	51	SS7110840SP	8	46	SS9151210TP	88	13
SS6110480SP	82	29	SS7110840SP	12	52	SS9621413SP	74	41
SS6110610TP	2	43	SS7110840SP	14	52	SS9621413SP	82	38
SS6110610TP	12	18	SS7110840SP	18	52	SS9661230CP	10	74
SS6110610TP	30	65	SS7110840SP	20	14	ST40316110R	42	10
SS6110810TP	22	29	SS7110840SP	26	55	SV4031006SR	42	12
SS6110810TP	54	36	SS7110840SP	58	26	TA0550604R0	62	7
SS6110810TP	88	21	SS7110840SP	76	50	TA0750704R0	4	48
SS6111010TP	54	2	SS7111110TP	18	55	TA1050504R0	4	54
SS6111010TP	70	32	SS7111120SP	54	4	TA1250406R0	4	51
SS6111010TP	86	7	SS7111120SP	70	34	TA1250705R0	54	33
SS6111052TP	82	16	SS7111120TP	22	31	TA1250705R0	70	24
SS6111140SP	2	73	SS7111120TP	54	32	TA1470704R0	4	52
SS6111140SP	4	73	SS7111410TP	8	45	TA2100904R0	4	53
SS6111140SP	30	59	SS7151120SP	8	36	TA2100904R0	76	56
SS6120930SP	26	56	SS7151210SP	64	11	WP0280500SC	70	36
SS6120930SP	32	6	SS8080310TP	30	70	WP0370316SD	88	7
SS6120940SP	64	16	SS8090610SP	22	12	WP0430801SC	42	32
SS6121212TP	16	34	SS8110310SP	10	53	WP0450000SD	24	12
SS6151142TP	30	68	SS8110310SP	50	41	WP0450801SD	14	57

## NUMERICAL INDEX OF PARTS

PART NO	PAGE	REF NO.	PART NO	PAGE	REF NO.
WP0450801SD	46	10	WS0861410KR	66	47
WP0450801SD	54	17	WS1253010KN	56	29
WP0450801SD	70	37	WS1253010KN	66	52
WP0450801SD	88	23	WZ0640200KP	54	20
WP0450846SP	24	42	WZ0640200KP	70	40
WP0482086SD	22	8			
WP0482086SD	82	31			
WP0501016SD	26	65			
WP0501016SD	58	45			
WP0501016SD	74	53			
WP0501016SD	76	53			
WP0501016SD	82	32			
WP0553216SD	26	62			
WP0560860SE	14	43			
WP0612516SD	58	39			
WP0612516SD	76	58			
WP0621016SD	30	72			
WP0651001SC	40	46			
WP0651056SD	22	34			
WP0651056SH	60	49			
WP0651646SC	2	19			
WP0651646SC	46	36			
WP0671016SE	56	20			
WP0671016SE	64	43			
WP0740516SP	46	14			
WP0740516SP	88	27			
WP0871602SE	56	23			
WP0871602SE	66	46			
WP0952616SD	16	8			
WP1302501SE	56	28			
WP1302501SE	66	51			
WP1702600S0	36	19			
WS0310702KS	38	35			
WS0410002KS	54	23			
WS0410002KS	70	30			
WS0451040KP	52	63			
WS0451040KP	54	18			
WS0451040KP	70	38			
WS0510002KN	36	16			
WS0510002KN	46	42			
WS0610002KN	10	76			
WS0610002KN	40	47			
WS0621210KR	56	21			
WS0621210KR	64	44			
WS0861410KR	56	24			