

MODEL : AVP-875/AW2

List No : 1198-06

# PARTS LIST

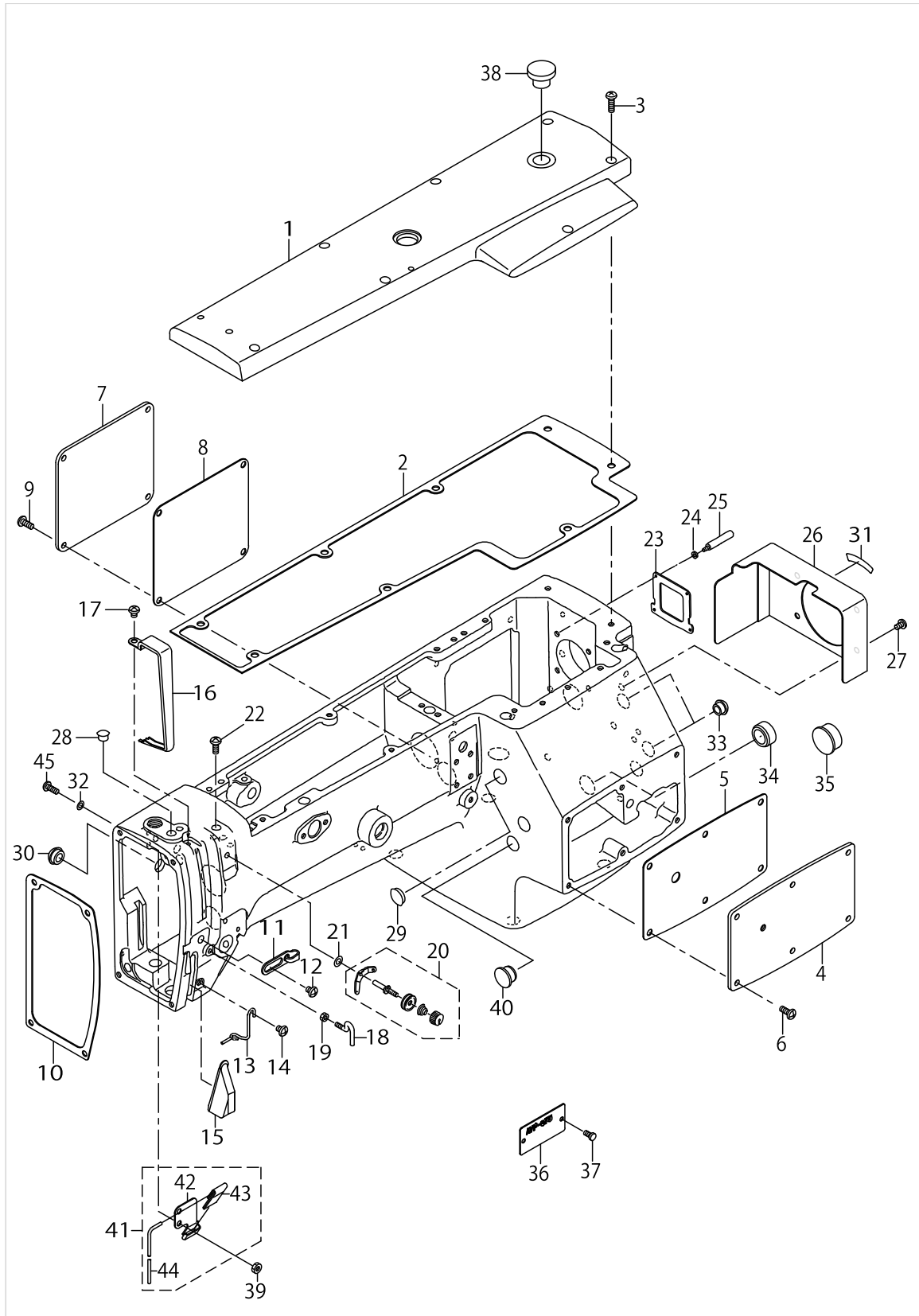
Published:05/12/2017

## CONTENTS

---

|  |     |
|--|-----|
| FRAME & MICELLANEOUS COVER COMPONENTS .....        | 1   |
| MAIN SHAFT COMPONENTS .....                        | 3   |
| ARM SHAFT COMPONENTS .....                         | 7   |
| NEEDLE BAR COMPONENTS (1) .....                    | 9   |
| NEEDLE BAR COMPONENTS (2) .....                    | 13  |
| PRESSER MECHANISM COMPONENTS .....                 | 17  |
| THREAD RISING COMPONENTS.....                      | 19  |
| SHUTTLE DRIVER SHAFT COMPONENTS.....               | 23  |
| THREAD TRIMMER MECHANISM COMPONENTS (1).....       | 25  |
| THREAD TRIMMER MECHANISM COMPONENTS (2).....       | 29  |
| LUBRICATION COMPONENTS (1) .....                   | 31  |
| LUBRICATION COMPONENTS (2) .....                   | 35  |
| X-Y COMPONENTS (1) .....                           | 37  |
| X-Y COMPONENTS (2) .....                           | 39  |
| CLOTH PRESSER COMPONENTS.....                      | 43  |
| CREASE MECHANISM COMPONENTS .....                  | 47  |
| FORM PLATE MECHANISM COMPONENTS .....              | 51  |
| TABLE COMPONENTS.....                              | 55  |
| CLOTH SUCTION DEVICE COMPONENTS.....               | 59  |
| CREASE GAGE COMPONENTS .....                       | 61  |
| REPLACEMENT GAUGE KIT COMPONENTS.....              | 65  |
| FOLDING BASE PLATE UNIT.....                       | 67  |
| FORM PLATE GAGE COMPONENTS.....                    | 71  |
| PRESSER GAGE COMPONENTS.....                       | 73  |
| STACKER COMPONENTS.....                            | 75  |
| MAIN BODY FRAME COMPONENTS(1).....                 | 79  |
| MAIN BODY FRAME COMPONENTS(2).....                 | 83  |
| MAIN BODY COVER COMPONENTS .....                   | 87  |
| AIR PRESSURE COMPONENTS.....                       | 89  |
| BOBBIN WINDER COMPONENTS.....                      | 95  |
| CONTROL BOX COMPONENTS .....                       | 97  |
| OPERATION PANELCOMPONENTS.....                     | 101 |
| MARKING LIGHT COMPONENTS (OPTIONAL PARTS).....     | 103 |
| GARMENT PUT BASE COMPONENTS (OPTIONAL PARTS) ..... | 105 |
| ACCESSORIES COMPONENTS.....                        | 107 |
| EXCLUSIVE PARTS FOR AW-2(1) .....                  | 109 |
| EXCLUSIVE PARTS FOR AW-2(2) .....                  | 111 |
| EXCLUSIVE PARTS FOR AW-2(3).....                   | 115 |
| LIST FOR INFORMATION OF CHANGE.....                | 117 |
| HOW TO MAKE USE OF THIS PARTS LIST .....           | 118 |

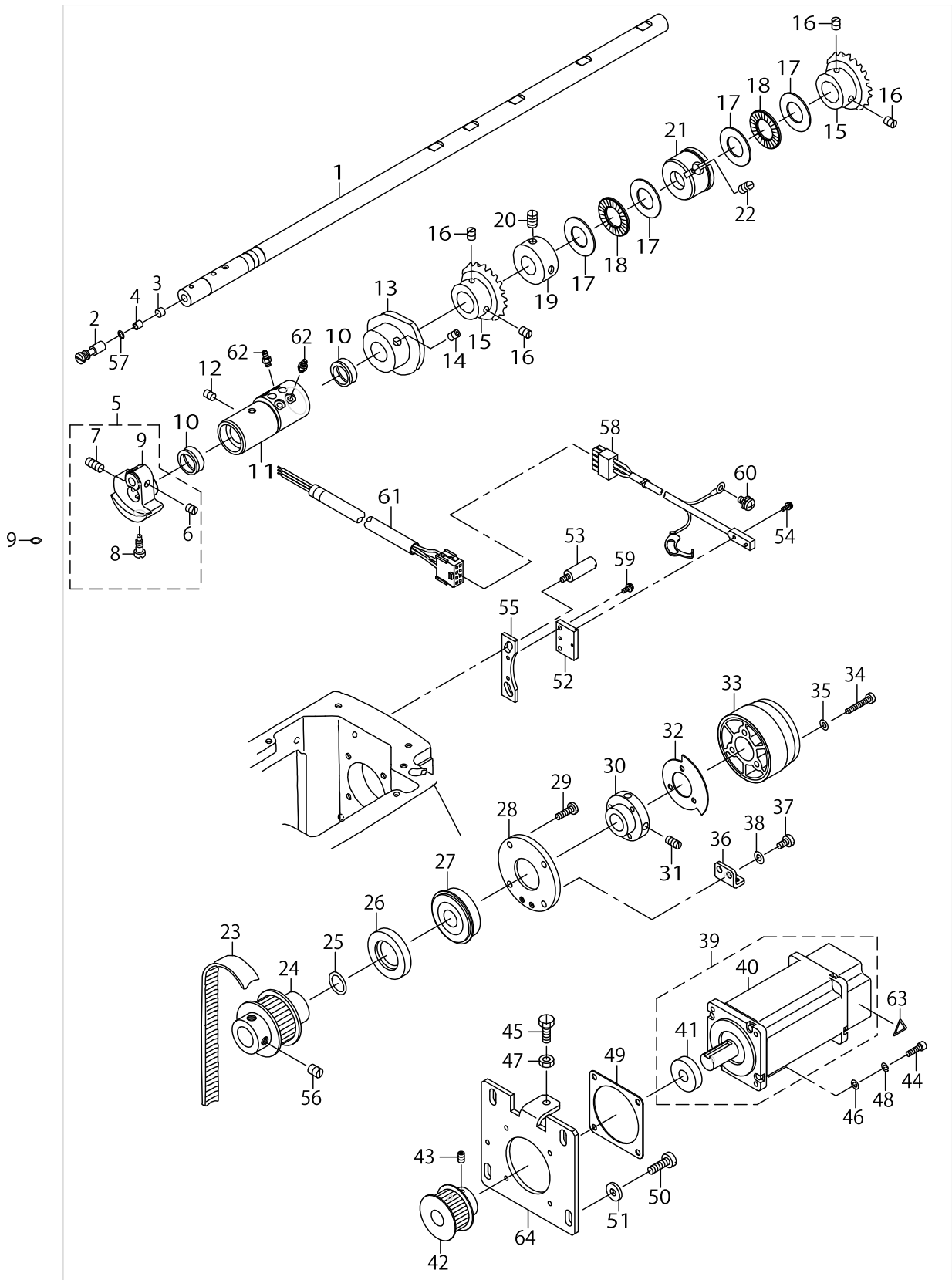
FRAME & MICELLANEOUS COVER COMPONENTS



FRAME & MICELLANEOUS COVER COMPONENTS

| No. | Supply Code | Parts No.   | Replacement | Parts name                       | Remarks | Choice | Step | Level | Cons | Qty | Rep. QTY |
|-----|-------------|-------------|-------------|----------------------------------|---------|--------|------|-------|------|-----|----------|
| 1   |             | G1113875000 |             | TOP COVER                        |         |        |      |       |      | 1   |          |
| 2   |             | G1119875000 |             | UPPER FACE COVER PACKING         |         |        |      |       |      | 1   |          |
| 3   |             | SS4121215SP |             | SCREW 3/16-28 L=12               |         |        |      |       |      | 8   |          |
| 4   |             | G1111875000 |             | ARM COVER A                      |         |        |      |       |      | 1   |          |
| 5   |             | G1117875000 |             | ARM COVER PACKING A              |         |        |      |       |      | 1   |          |
| 6   |             | SS4121215SP |             | SCREW 3/16-28 L=12               |         |        |      |       |      | 6   |          |
| 7   |             | G1112875000 |             | ARM COVER B                      |         |        |      |       |      | 1   |          |
| 8   |             | G1118875000 |             | ARM COVER PACKING B              |         |        |      |       |      | 1   |          |
| 9   |             | SS4121215SP |             | SCREW 3/16-28 L=12               |         |        |      |       |      | 4   |          |
| 10  |             | G1116875000 |             | FACE PLATE PACKING               |         |        |      |       |      | 1   |          |
| 11  |             | 13922208    |             | TAKE-UP THREAD GUIDE B           |         |        |      |       |      | 1   |          |
| 12  |             | SS4120615SP |             | SCREW 3/16-28 L=6                |         |        |      |       |      | 1   |          |
| 13  |             | 13719802    |             | NEEDLE BAR THREAD GUIDE          |         |        |      |       |      | 1   |          |
| 14  |             | SS4120615SP |             | SCREW 3/16-28 L=6                |         |        |      |       |      | 1   |          |
| 15  |             | 13705207    |             | THREAD PATH GUIDE PLATE          |         |        |      |       |      | 1   |          |
| 16  |             | 13920509    |             | THREAD TAKE-UP COVER             |         |        |      |       |      | 1   |          |
| 17  |             | SS4120615SP |             | SCREW 3/16-28 L=6                |         |        |      |       |      | 1   |          |
| 18  | R           | B1125280000 | 26212209    | L-SHAPED THREAD GUIDE A          |         |        |      |       |      | 1   | 1.00     |
| 19  |             | NS6090310SP |             | NUT 9/64-40                      |         |        |      |       |      | 1   |          |
| 20  | R           | 11073954    | 22963458    | THREAD TENSION ASM.              |         |        |      |       |      | 1   | 1.00     |
| 21  |             | WP0531001SC |             | WASHER                           |         |        |      |       |      | 1   |          |
| 22  |             | SS4121215SP |             | SCREW 3/16-28 L=12               |         |        |      |       |      | 1   |          |
| 23  |             | G1120870000 |             | SERVOMOTER FITTING PLATE PACKING |         |        |      |       |      | 1   |          |
| 24  |             | B1504280000 |             | COLLAR                           |         |        |      |       |      | 2   |          |
| 25  |             | 11021003    |             | OIL PUMP SUPPORT                 |         |        |      |       |      | 2   |          |
| 26  |             | G1131875000 |             | PULLEY COVER                     |         |        |      |       |      | 1   |          |
| 27  |             | SS5110710SP |             | SCREW 11/64-40 L=7               |         |        |      |       |      | 4   |          |
| 28  |             | TA0850604R0 |             | RUBBER PLUG                      |         |        |      |       |      | 3   |          |
| 29  |             | TA1450404R0 |             | RUBBER PLUG D=14.5 L=4           |         |        |      |       |      | 2   |          |
| 30  |             | TA1250406R0 |             | RUBBER PLUG D=12.5 L=4           |         |        |      |       |      | 1   |          |
| 31  |             | B1144210000 |             | REVOLVING DIRECTION LABEL        |         |        |      |       |      | 1   |          |
| 32  |             | WP0480856SP |             | WASHER 4.8X8.4X0.8               |         |        |      |       |      | 2   |          |
| 33  |             | TA1050504R0 |             | RUBBER PLUG                      |         |        |      |       |      | 2   |          |
| 34  |             | TA2101002R0 |             | RUBBER PLUG                      |         |        |      |       |      | 1   |          |
| 35  |             | TA2351004R0 |             | RUBBER PLUG                      |         |        |      |       |      | 1   |          |
| 36  |             | G1154875000 |             | TYPE NAME PLATE                  |         |        |      |       |      | 1   |          |
| 37  | D           | 11001005    |             | SCREW                            |         |        |      |       |      | 2   |          |
| 38  |             | G1135870000 |             | OIL PLUG                         |         |        |      |       |      | 1   |          |
| 39  |             | NS6110350SP |             | NUT 11/64-40                     |         |        |      |       |      | 2   |          |
| 40  |             | TA1470704R0 |             | RUBBER PLUG                      |         |        |      |       |      | 1   |          |
| 41  |             | G35328750A0 |             | OIL WICK PRESSER ASM.            |         |        |      |       |      | 1   |          |
| 42  |             | B3502210000 |             | OIL WICK HOLDER                  |         |        |      | *     |      | 1   |          |
| 43  |             | B3509220000 |             | OIL SPONGE                       |         |        |      | *     |      | 1   |          |
| 44  |             | CQ252000000 |             | OIL WICK                         |         |        |      | *     |      | 1   |          |
| 45  |             | SS4111215SP |             | SCREW 11/64-40 L=12              |         |        |      |       |      | 2   |          |

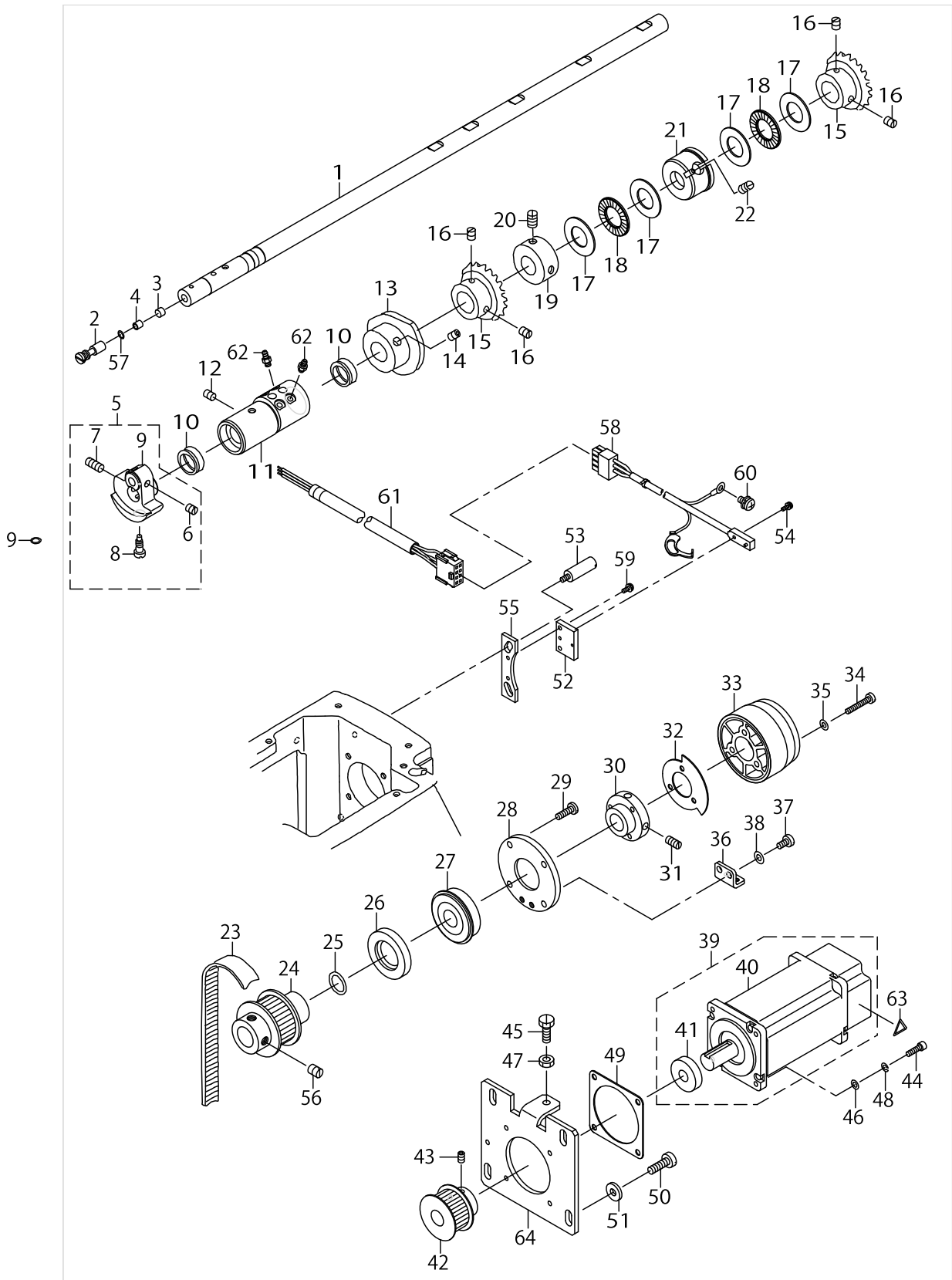
# MAIN SHAFT COMPONENTS



MAIN SHAFT COMPONENTS

| No. | Supply Code | Parts No.    | Replacement | Parts name                  | Remarks | Choice | Step | Level | Cons | Qty | Rep. QTY |
|-----|-------------|--------------|-------------|-----------------------------|---------|--------|------|-------|------|-----|----------|
| 1   |             | G1201875000  |             | MAIN SHAFT                  |         |        |      |       |      | 1   |          |
| 2   |             | B1213552000A |             | OIL ADJUSTING PIN           |         |        |      |       |      | 1   |          |
| 3   |             | B1226552000  |             | ROLLER FELT                 |         |        |      |       |      | 1   |          |
| 4   |             | B1215552000  |             | OIL ADJUSTING COLLAR        |         |        |      |       |      | 1   |          |
| 5   |             | 22903157     |             | COUNTER WEIGHT ASM.         |         |        |      |       |      | 1   |          |
| 6   |             | SS8660610TP  |             | SCREW 1/4-40 L=6            |         |        |      | *     |      | 2   |          |
| 7   |             | SS8681650TP  |             | SCREW 9/32-28 L=16          |         |        |      | *     |      | 1   |          |
| 8   |             | SS7681650TP  |             | SCREW 9/32-28 L=16          |         |        |      | *     |      | 1   |          |
| 9   | R           | 22903108     | 22903157    | COUNTER WEIGHT              |         |        |      | *     |      | 1   | 1.00     |
| 10  |             | 13707500     |             | OIL SEAL                    |         |        |      |       |      | 2   |          |
| 11  |             | G1206875000  |             | MAIN SHAFT BUSHING, FRONT   |         |        |      |       |      | 1   |          |
| 12  |             | SS8150822TP  |             | SCREW 15/64-28 L=8          |         |        |      |       |      | 1   |          |
| 13  |             | G12088700A0  |             | THREAD RISING CAM           |         |        |      |       |      | 1   |          |
| 14  | R           | SS8150710SP  | SS8150710TP | SCREW 15/64-28 L=7          |         |        |      |       |      | 2   | 1.00     |
| 15  | R           | G1212870000  | G12128700A0 | UPPERBEVELGEARA             |         |        |      |       |      | 2   | 1.00     |
| 16  |             | SS8660810TP  |             | SCREW 1/4-40 L=8            |         |        |      |       |      | 4   |          |
| 17  |             | B1220771000  |             | THRUST WASHER A             |         |        |      |       |      | 4   |          |
| 18  |             | B1211980000  |             | UPPER SHAFT THRUST BEARING  |         |        |      |       |      | 2   |          |
| 19  |             | CS1501011TH  |             | THRUST COLLAR               |         |        |      |       |      | 2   |          |
| 20  |             | SS8660530TP  |             | SCREW 1/4-40 L= 4.5         |         |        |      |       |      | 4   |          |
| 21  |             | 13922901     |             | MAIN SHAFT BUSHING, INTER   |         |        |      |       |      | 1   |          |
| 22  |             | SS8150822TP  |             | SCREW 15/64-28 L=8          |         |        |      |       |      | 1   |          |
| 23  |             | G1214870000  |             | TIMING BELT                 |         |        |      |       |      | 1   |          |
| 24  |             | G12138700A0  |             | UPPER SHAFT SPROCKET        |         |        |      |       |      | 1   |          |
| 25  |             | RO148240200  |             | RUBBER RING                 |         |        |      |       |      | 1   |          |
| 26  |             | G1220870000A |             | OIL SHEEL                   |         |        |      |       |      | 1   |          |
| 27  |             | G1216870000  |             | UPPER SHAFT REAR BEARING    |         |        |      |       |      | 1   |          |
| 28  |             | G1217870000  |             | BEARING PRESSER PLATE       |         |        |      |       |      | 1   |          |
| 29  |             | SS7121610SP  |             | SCREW 3/16-28 L=15.5        |         |        |      |       |      | 4   |          |
| 30  |             | G1219870000  |             | FLYING WHEEL COLLAR         |         |        |      |       |      | 1   |          |
| 31  |             | SS8151230SP  |             | SCREW 15/64-28L=12          |         |        |      |       |      | 2   |          |
| 32  |             | G1223870000  |             | SLIT PLATE                  |         |        |      |       |      | 1   |          |
| 33  |             | G1224870000  |             | FLYING WHEEL                |         |        |      |       |      | 1   |          |
| 34  |             | SM6042510SC  |             | SCREW M4X0.7 L=25           |         |        |      |       |      | 3   |          |
| 35  |             | WP0430801SC  |             | WASHER 4.3X9X0.8            |         |        |      |       |      | 3   |          |
| 36  |             | 12288908     |             | THROAT PLATE BASE B SUPPORT |         |        |      |       |      | 1   |          |
| 37  | R           | SS6120930SP  | SS6120930TP | SCREW 3/16-28 L=9           |         |        |      |       |      | 2   | 1.00     |
| 38  |             | WP0501016SC  |             | WASHER 5X10.5X1             |         |        |      |       |      | 2   |          |
| 39  |             | 40085927     |             | MAIN SERVO MOTOR ASM        |         |        |      |       |      | 1   |          |
| 40  |             | HM002120000  |             | SERVO MOTOR                 |         |        |      | *     |      | 1   |          |
| 41  |             | 40085926     |             | OIL SEAL                    |         |        |      | *     |      | 1   |          |
| 42  |             | G1226870000  |             | MOTOR SPROCKET              |         |        |      |       |      | 1   |          |
| 43  |             | SM8050802TP  |             | SCREW M5X0.8 L=8            |         |        |      |       |      | 2   |          |
| 44  |             | SM6041402TP  |             | SCREW M4 L=14               |         |        |      |       |      | 4   |          |
| 45  |             | SS9151740CP  |             | SCREW 15/64-28L=17          |         |        |      |       |      | 1   |          |
| 46  |             | WP0430800SC  |             | WASHER M4                   |         |        |      |       |      | 8   |          |

# MAIN SHAFT COMPONENTS

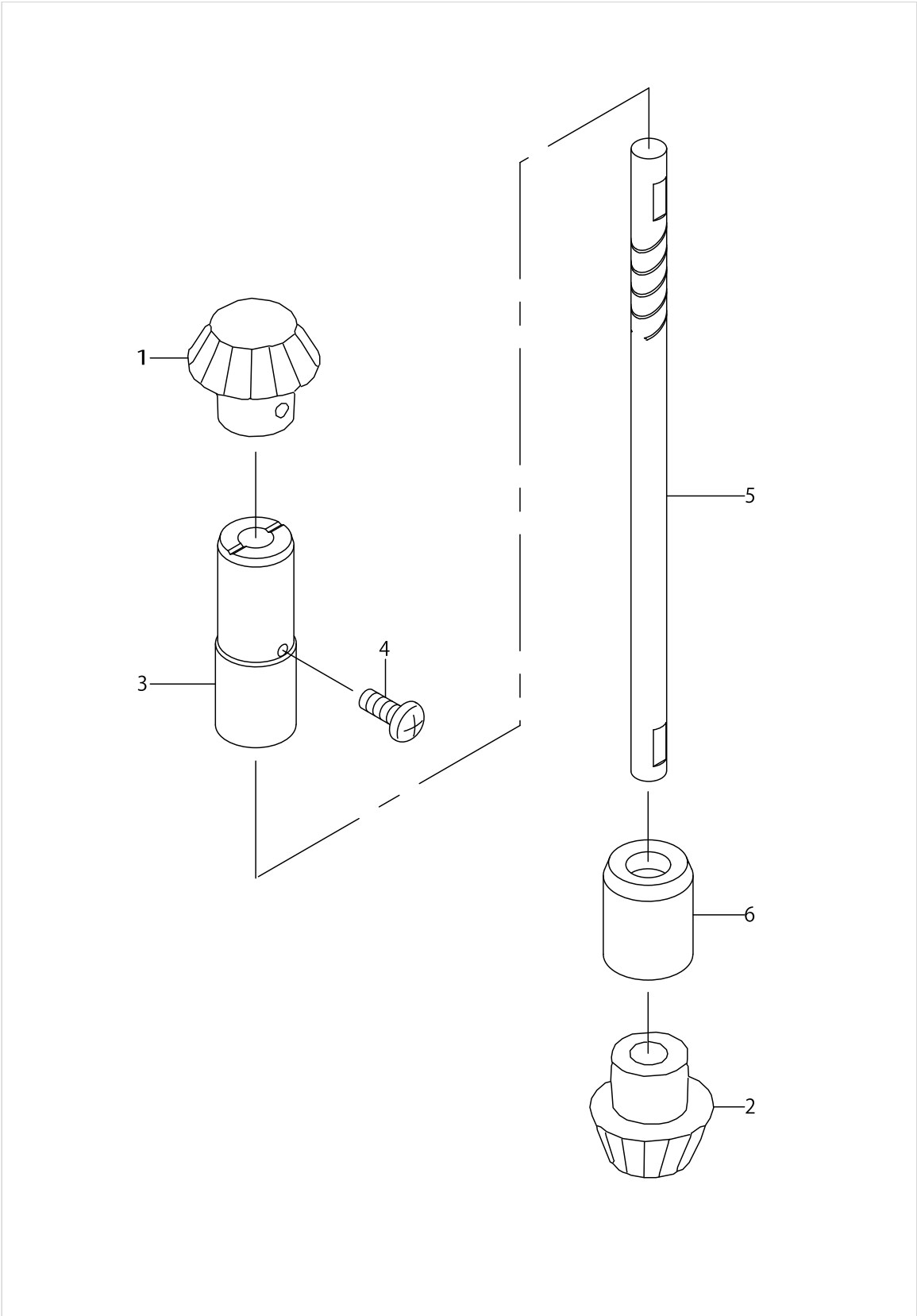


MAIN SHAFT COMPONENTS

| No. | Supply Code | Parts No.   | Replacement | Parts name                | Remarks | Choice | Step | Level | Cons | Qty | Rep. QTY |
|-----|-------------|-------------|-------------|---------------------------|---------|--------|------|-------|------|-----|----------|
| 47  |             | NS6150430SP |             | NUT 15/64-28              |         |        |      |       |      | 1   |          |
| 48  |             | WS0410002KN |             | SPRING WASHER             |         |        |      |       |      | 1   |          |
| 49  |             | G1228875000 |             | SERVO MOTOR PACKING       |         |        |      |       |      | 1   |          |
| 50  |             | SS6151920SP |             | SCREW 15/64-28 L=19.0     |         |        |      |       |      | 4   |          |
| 51  |             | WP0612516SD |             | WASHER 6.1X15.2X2.5       |         |        |      |       |      | 4   |          |
| 52  |             | G1227875000 |             | SENSOR FITTING PLATE      |         |        |      |       |      | 1   |          |
| 53  |             | 11021003    |             | OIL PUMP SUPPORT          |         |        |      |       |      | 2   |          |
| 54  |             | SL4860881SC |             | SCREW                     |         |        |      |       |      | 2   |          |
| 55  |             | G1227870000 |             | SENSOR FITTING PLATE      |         |        |      |       |      | 1   |          |
| 56  |             | SS8660810TP |             | SCREW 1/4-40 L=8          |         |        |      |       |      | 2   |          |
| 57  |             | RO029180100 |             | RUBBER RING               |         |        |      |       |      | 1   |          |
| 58  |             | G12228750A0 |             | MACHINE SENSOR CORD ASM.  |         |        |      |       |      | 1   |          |
| 59  |             | SL4030891SC |             | SCREW M3X8                |         |        |      |       |      | 2   |          |
| 60  |             | SL4051091SC |             | SCREW M5X0.8 L=10         |         |        |      |       |      | 1   |          |
| 61  |             | M85345750A0 |             | SEWING MACHINE CORD ASM.  |         |        |      |       |      | 1   |          |
| 62  |             | SQ1110402MZ |             | CONNECTING SCREW          |         |        |      |       |      | 4   |          |
| 63  |             | CM300300001 |             | SEAL                      |         |        |      |       |      | 1   |          |
| 64  |             | G1225875000 |             | SERVO MOTOR FITTING PLATE |         |        |      |       |      | 1   |          |



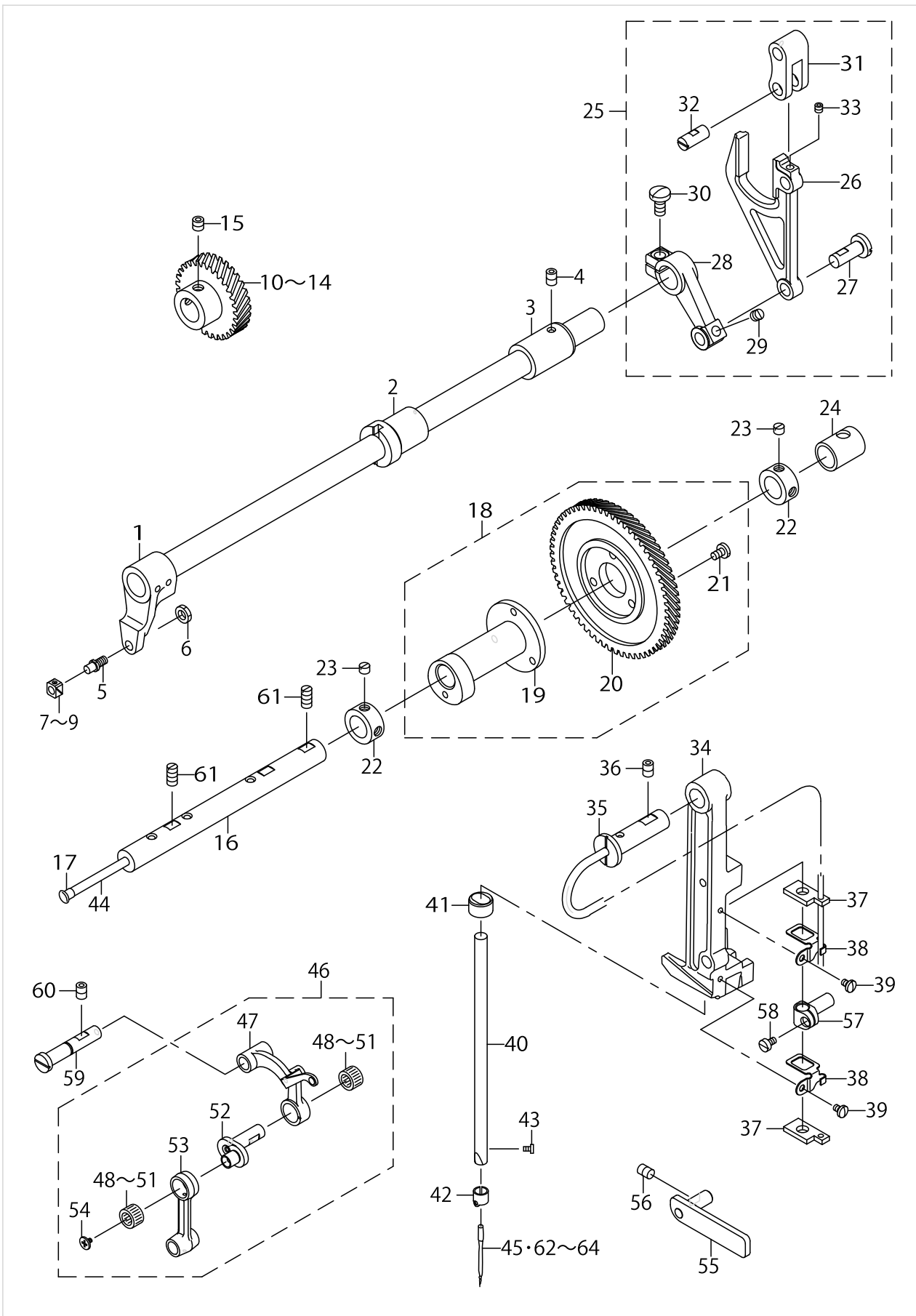
ARM SHAFT COMPONENTS



ARM SHAFT COMPONENTS

| No. | Supply Code | Parts No.   | Replacement | Parts name                   | Remarks | Choice | Step | Level | Cons | Qty | Rep. QTY |
|-----|-------------|-------------|-------------|------------------------------|---------|--------|------|-------|------|-----|----------|
| 1   |             | B13061550A0 |             | PINION ASM.                  |         |        |      |       |      | 1   |          |
| 2   |             | B13071550A0 |             | GEAR ASM. LARGE              |         |        |      |       |      | 1   |          |
| 3   |             | G1302875000 |             | VERTICAL SHAFT UPPER METAL   |         |        |      |       |      | 1   |          |
| 4   |             | SS4121215SP |             | SCREW 3/16-28 L=12           |         |        |      |       |      | 1   |          |
| 5   |             | G1301875000 |             | VERTICAL SHAFT               |         |        |      |       |      | 1   |          |
| 6   |             | 11004207    |             | UPRIGHT SHAFT BUSHING, LOWER |         |        |      |       |      | 1   |          |

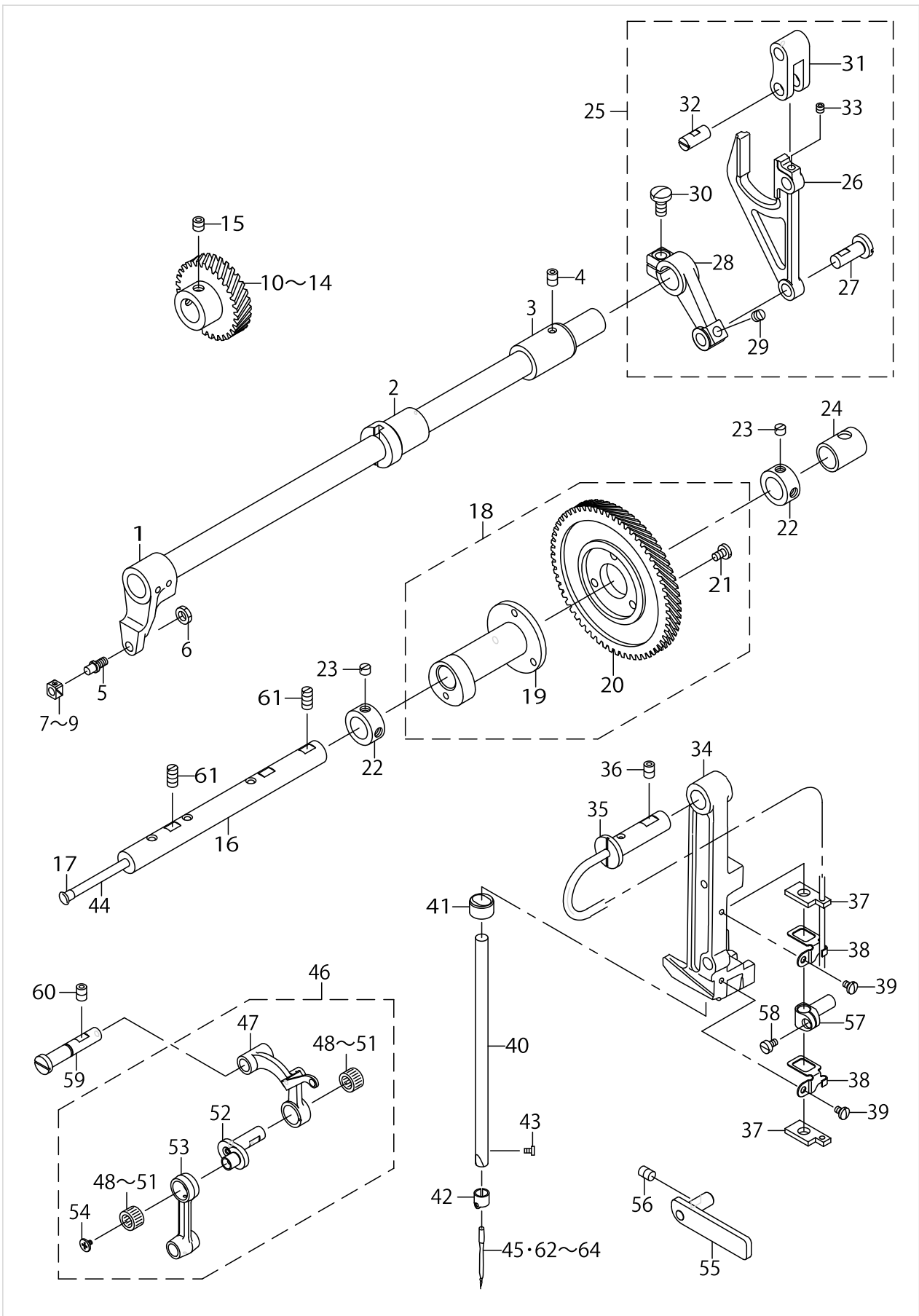
NEEDLE BAR COMPONENTS (1)



NEEDLE BAR COMPONENTS (1)

| No. | Supply Code | Parts No.   | Replacement | Parts name                   | Remarks         | Choice | Step | Level | Cons | Qty | Rep. QTY |
|-----|-------------|-------------|-------------|------------------------------|-----------------|--------|------|-------|------|-----|----------|
| 1   |             | G14148750A0 |             | NEEDLE BAR FRAME SHAFT ASM.  |                 |        |      |       |      | 1   |          |
| 2   |             | 13715404    |             | BUSHING                      |                 |        |      |       |      | 1   |          |
| 3   |             | 13715503    |             | BUSHING, REAR                |                 |        |      |       |      | 1   |          |
| 4   |             | SS8150822TP |             | SCREW 15/64-28 L=8           |                 |        |      |       |      | 1   |          |
| 5   |             | B1410771000 |             | STUD                         |                 |        |      |       |      | 1   |          |
| 6   |             | NS6150310SP |             | NUT 15/64-28                 |                 |        |      |       |      | 1   |          |
| 7   |             | B1414232000 |             | SQUARE BLOCK                 | SELECTIVE PARTS |        |      |       |      | 1   |          |
| 8   |             | B141423200A |             | CRANK SLIDE BLOCK            | SELECTIVE PARTS |        |      |       |      | 1   |          |
| 9   |             | B141423200B |             | GUIDE ROLLER                 | SELECTIVE PARTS |        |      |       |      | 1   |          |
| 10  | R           | 13719109    | 13719158    | NEEDLE THROW GEAR SMALL A    | SELECTIVE PARTS |        |      |       |      | 1   | 1.00     |
| 11  | R           | 13719208    | 13719257    | NEEDLE THROW GEAR SMALL B    | SELECTIVE PARTS |        |      |       |      | 1   | 1.00     |
| 12  |             | 13719307    |             | NEEDLE THROW GEAR SMALL C    | SELECTIVE PARTS |        |      |       |      | 1   |          |
| 13  | R           | 13719406    | 13719455    | NEEDLE THROW GEAR SMALL D    | SELECTIVE PARTS |        |      |       |      | 1   | 1.00     |
| 14  |             | 13719505    |             | GEAR E                       | SELECTIVE PARTS |        |      |       |      | 1   |          |
| 15  |             | SS8660612TP |             | SCREW 1/4-40 L=6             |                 |        |      |       |      | 2   |          |
| 16  |             | 13718903    |             | ROCK CAM SHAFT               |                 |        |      |       |      | 1   |          |
| 17  |             | TA0550604R0 |             | RUBBER PLUG                  |                 |        |      |       |      | 1   |          |
| 18  |             | 13718754    |             | NEEDLE BAR ROCK CAM CONNEC.  |                 |        |      |       |      | 1   |          |
| 19  | R           | 13718705    | 13718754    | NEEDLE BAR ROCK CAM          |                 |        |      | *     |      | 1   | 1.00     |
| 20  | R           | 13718804    | 13718754    | NEEDLE THROW GEAR LARGE      |                 |        |      | *     |      | 1   | 1.00     |
| 21  |             | SS7110710SP |             | SCREW 11/64-40 L=7           |                 |        |      | *     |      | 3   |          |
| 22  | R           | CS1401014SP | CS140101ASP | THRUST COLLAR                |                 |        |      |       |      | 2   | 1.00     |
| 23  |             | SS8150410TP |             | SCREW 15/64-28 L= 4.0        |                 |        |      |       |      | 4   |          |
| 24  | D           | 13719000    |             | BEARING, REAR B              |                 |        |      |       |      | 1   |          |
| 25  |             | G14158750A0 |             | NEEDLE BAR FRAME ROD COMPL.  |                 |        |      |       |      | 1   |          |
| 26  | D           | G1415875000 |             | NEEDLE BAR FRAME ROD         |                 |        |      | *     |      | 1   |          |
| 27  |             | 13715701    |             | FRAME ROCK SHAFT CRANK PIN   |                 |        |      | *     |      | 1   |          |
| 28  | R           | G1416875000 | G14158750A0 | NEEDLE BAR ROCKING ARM ,REAR |                 |        |      | *     |      | 1   | 1.00     |
| 29  |             | SS8150510TP |             | SCREW 15/64-28 L= 4.7        |                 |        |      | *     |      | 1   |          |
| 30  |             | SS7151210SP |             | SCREW15/64-28L=12            |                 |        |      | *     |      | 1   |          |
| 31  | D           | 13716006    |             | CONNECTING FORKED LINK       |                 |        |      | *     |      | 1   |          |
| 32  | D           | 13715909    |             | CONNECTING FORKED LINK PIN   |                 |        |      | *     |      | 1   |          |
| 33  |             | SS8110422TP |             | SCREW 11/64-40 L=4           |                 |        |      | *     |      | 1   |          |
| 34  |             | 13924600    |             | NEEDLE BAR FRAME             |                 |        |      |       |      | 1   |          |
| 35  |             | 13714803    |             | HINGE STUD                   |                 |        |      |       |      | 1   |          |
| 36  |             | SS8150822TP |             | SCREW 15/64-28 L=8           |                 |        |      |       |      | 1   |          |
| 37  |             | 13714704    |             | OIL FELT                     |                 |        |      |       |      | 2   |          |
| 38  |             | 13925102    |             | OIL FELT HOLDER              |                 |        |      |       |      | 2   |          |
| 39  |             | SS7090530SP |             | SCREW9/64-40L=4.5            |                 |        |      |       |      | 2   |          |
| 40  |             | G1401875000 |             | NEEDLE BAR                   |                 |        |      |       |      | 1   |          |
| 41  |             | 13920608    |             | NEEDLE BAR OIL METAL         |                 |        |      |       |      | 1   |          |
| 42  |             | 22507701    |             | THRED RACK, RIGHT            |                 |        |      |       |      | 1   |          |
| 43  |             | SS7080510TP |             | SCREW 1/8-44 L=4.5           |                 |        |      |       |      | 1   |          |
| 44  |             | CQ3000000F0 |             | OIL FELT                     |                 |        |      |       |      | .1  |          |
| 45  |             | MC200531300 |             | NEEDLE 134 SERV7 NM130       | SELECTIVE PARTS |        |      |       |      | 1   |          |

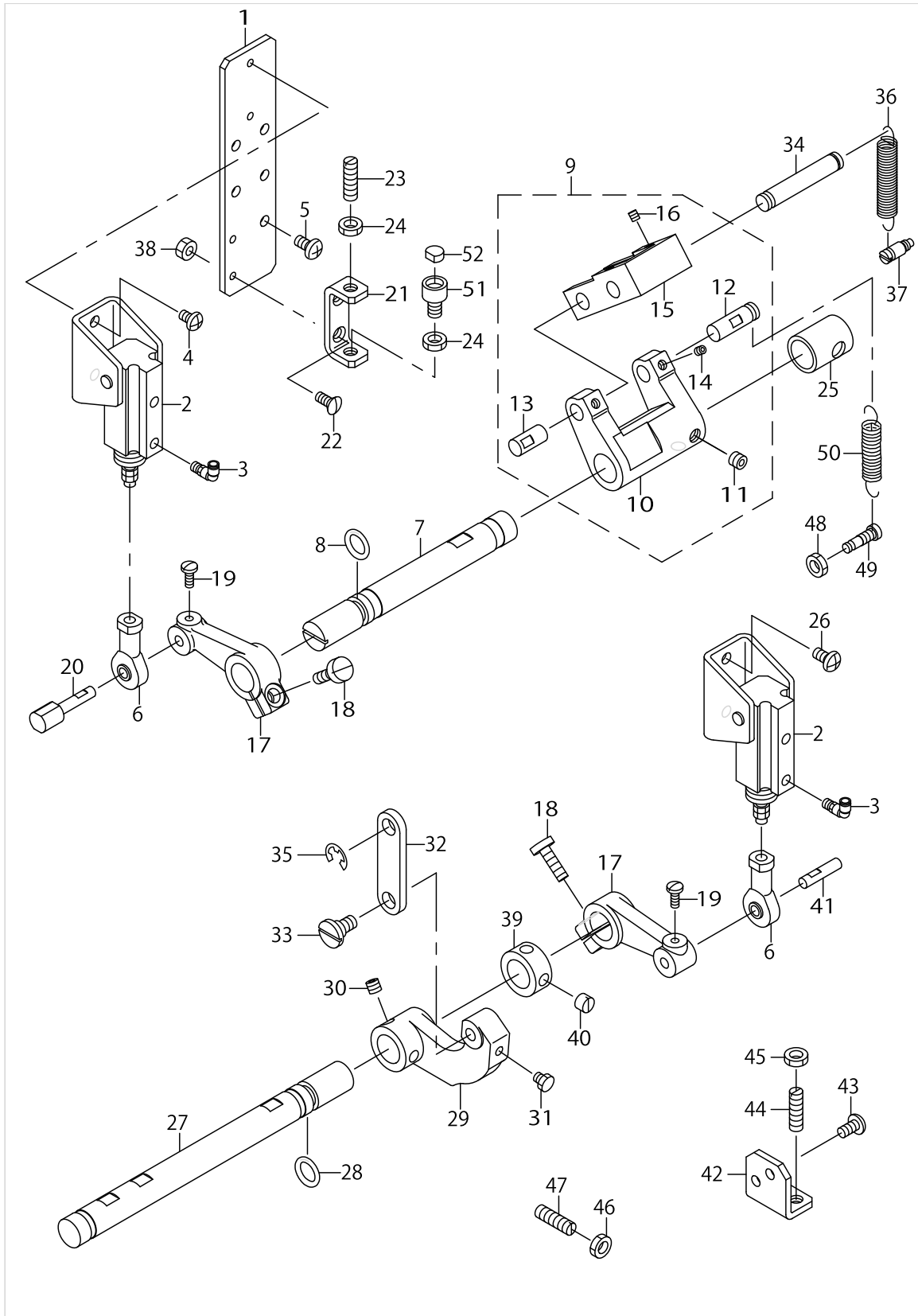
NEEDLE BAR COMPONENTS (1)



NEEDLE BAR COMPONENTS (1)

| No. | Supply Code | Parts No.   | Replacement | Parts name                     | Remarks         | Choice | Step | Level | Cons | Qty | Rep. QTY |
|-----|-------------|-------------|-------------|--------------------------------|-----------------|--------|------|-------|------|-----|----------|
| 46  |             | G19028750A0 |             | LINK THREAD TAKE-UP LEVER ASM. |                 |        |      |       |      | 1   |          |
| 47  |             | 11017068    |             | LINK THREAD TAKE-UP LEVER ASM. |                 |        |      | *     |      | 1   |          |
| 48  |             | B1905541A00 |             | NEEDLE BEARING, A              | SELECTIVE PARTS |        |      | *     |      | 2   |          |
| 49  |             | B1905541B00 |             | NEEDLE BEARING                 | SELECTIVE PARTS |        |      | *     |      | 2   |          |
| 50  |             | B1905541C00 |             | NEEDLE BEARING                 | SELECTIVE PARTS |        |      | *     |      | 2   |          |
| 51  |             | B1905541D00 |             | NEEDLE BEARING                 | SELECTIVE PARTS |        |      | *     |      | 2   |          |
| 52  | R           | 11091600    | 40109126    | NEEDLEBARCRANKH                |                 |        |      | *     |      | 1   | 1.00     |
| 53  |             | 13714407    |             | NEEDLE BAR CRANK ROD           |                 |        |      | *     |      | 1   |          |
| 54  |             | B1903552000 |             | LEFT SCREW                     |                 |        |      | *     |      | 1   |          |
| 55  |             | G14058750A0 |             | FRAME SUPPORT PLATE ASM.       |                 |        |      |       |      | 1   |          |
| 56  |             | SS8150822TP |             | SCREW 15/64-28 L=8             |                 |        |      |       |      | 1   |          |
| 57  |             | 13924501    |             | NEEDLE BAR CONNEC.             |                 |        |      |       |      | 1   |          |
| 58  |             | SS6090670TP |             | SCREW 9/64-40 L=6              |                 |        |      |       |      | 1   |          |
| 59  |             | 13730304    |             | THREAD TAKE-UP SUPPORT ROD     |                 |        |      |       |      | 1   |          |
| 60  |             | SS8150822TP |             | SCREW 15/64-28 L=8             |                 |        |      |       |      | 1   |          |
| 61  |             | SS8151230SP |             | SCREW15/64-28L=12              |                 |        |      |       |      | 2   |          |
| 62  |             | MC200521000 |             | NEEDLE 134 SERV7 NM100         | SELECTIVE PARTS |        |      |       |      | 1   |          |
| 63  |             | MC200521100 |             | NEEDLE 134 SERV7 NM110         | SELECTIVE PARTS |        |      |       |      | 1   |          |
| 64  | D           | MDP5MRB5000 |             | NEEDLE DPX5 MR5.0              | SELECTIVE PARTS |        |      |       |      | 1   |          |

# NEEDLE BAR COMPONENTS (2)

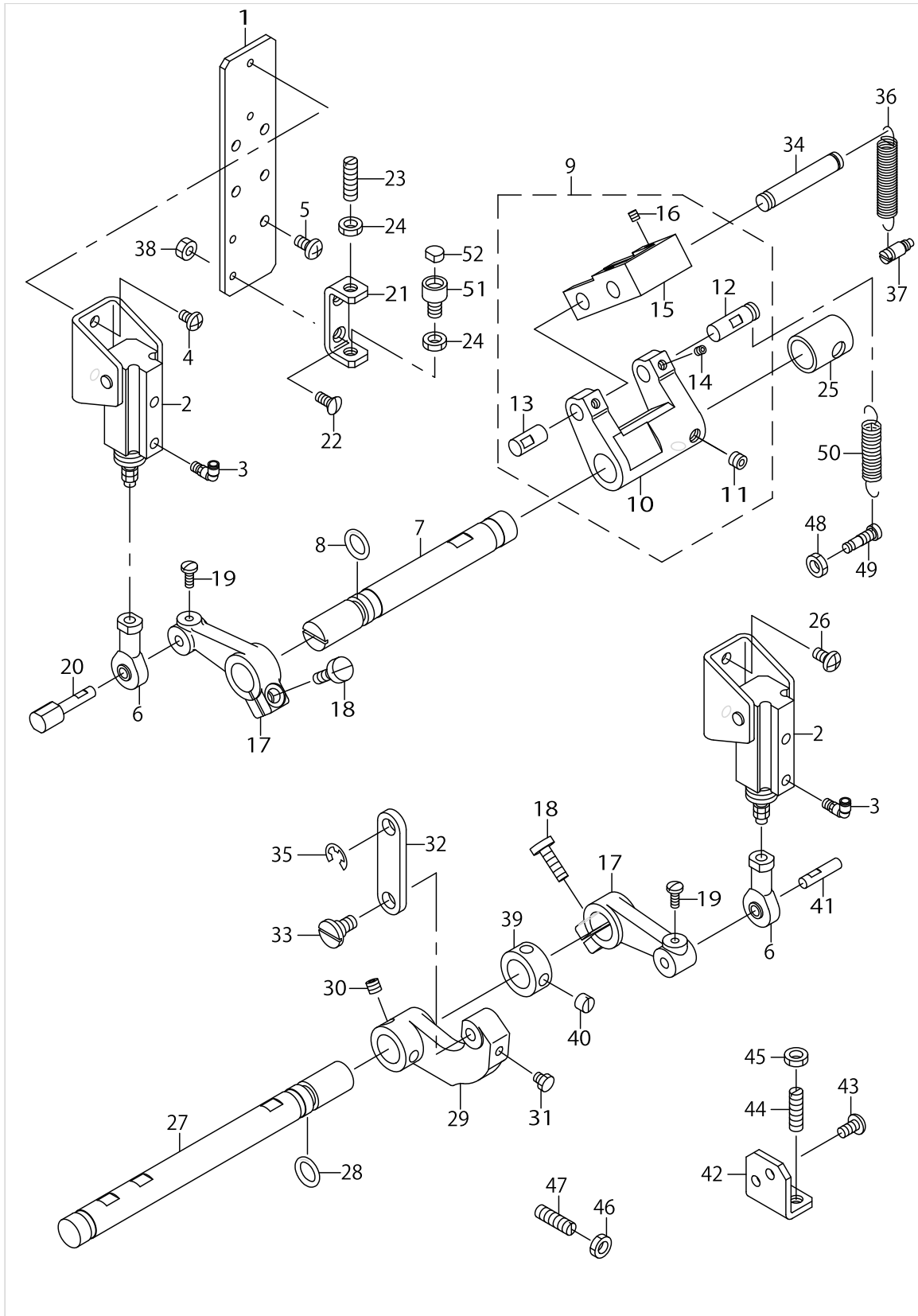


NEEDLE BAR COMPONENTS (2)

| No. | Supply Code | Parts No.   | Replacement | Parts name                   | Remarks | Choice | Step | Level | Cons | Qty | Rep. QTY |
|-----|-------------|-------------|-------------|------------------------------|---------|--------|------|-------|------|-----|----------|
| 1   |             | G1421875000 |             | CYLINDER FITTING PLATE       |         |        |      |       |      | 1   |          |
| 2   |             | PA1501010A0 |             | AIR CYLINDER                 |         |        |      |       |      | 2   |          |
| 3   |             | PJ304040504 |             | ELBOW UNION                  |         |        |      |       |      | 4   |          |
| 4   |             | SS4110715SP |             | SCREW 11/64-40 L=7           |         |        |      |       |      | 2   |          |
| 5   |             | SS4120915SP |             | SCREW 3/16-28 L=9            |         |        |      |       |      | 5   |          |
| 6   |             | G6505880000 |             | ROD END B                    |         |        |      |       |      | 2   |          |
| 7   |             | G1424875000 |             | REPOSITIONING LEVER SHAFT    |         |        |      |       |      | 1   |          |
| 8   |             | RO098240100 |             | RUBBER RING                  |         |        |      |       |      | 1   |          |
| 9   |             | 40055174    |             | REPOSITIONING LEVER ASM.     |         |        |      |       |      | 1   |          |
| 10  |             | 40055176    |             | REPOSITIONING LEVER          |         |        |      | *     |      | 1   |          |
| 11  |             | SS8660512TP |             | SCREW 1/4-40 L=5             |         |        |      | *     |      | 2   |          |
| 12  |             | 13716303    |             | REGULATING LEVER LINK STUD   |         |        |      | *     |      | 1   |          |
| 13  |             | G1431875000 |             | REGULATING LEVER LINK STUD   |         |        |      | *     |      | 1   |          |
| 14  |             | SS8110422TP |             | SCREW 11/64-40 L=4           |         |        |      | *     |      | 2   |          |
| 15  |             | 40055175    |             | REGULATING LEVER LINK        |         |        |      | *     |      | 1   |          |
| 16  |             | SS8110422TP |             | SCREW 11/64-40 L=4           |         |        |      | *     |      | 2   |          |
| 17  |             | G1426875000 |             | REGULATING LEVER LINK STUD   |         |        |      |       |      | 2   |          |
| 18  |             | SS9151630CP |             | SCREW 15/64-28 L=15.5        |         |        |      |       |      | 2   |          |
| 19  |             | SS7090920SP |             | SCREW 9/64-40 L=8.5          |         |        |      |       |      | 2   |          |
| 20  |             | G1422875000 |             | REPOSITIONING CYLINDER SHAFT |         |        |      |       |      | 1   |          |
| 21  | D           | G1423875000 |             | REPOSITIONING STOPPER PLATE  |         |        |      |       |      | 1   |          |
| 22  |             | SS2111010TP |             | SCREW 11/64-40 L=9.5         |         |        |      |       |      | 2   |          |
| 23  |             | SS8152030SP |             | SCREW 15/64-28 L=20          |         |        |      |       |      | 1   |          |
| 24  |             | NS6150310SP |             | NUT 15/64-28                 |         |        |      |       |      | 2   |          |
| 25  | D           | 13719000    |             | BEARING, REAR B              |         |        |      |       |      | 1   |          |
| 26  |             | SS4120915SP |             | SCREW 3/16-28 L=9            |         |        |      |       |      | 2   |          |
| 27  |             | G1427875000 |             | REGULATING LEVER SHAFT       |         |        |      |       |      | 1   |          |
| 28  |             | RO098240100 |             | RUBBER RING                  |         |        |      |       |      | 1   |          |
| 29  |             | G1428875000 |             | REGULATING LEVER             |         |        |      |       |      | 1   |          |
| 30  |             | SS8660512TP |             | SCREW 1/4-40 L=5             |         |        |      |       |      | 2   |          |
| 31  |             | SS9110513TP |             | SCREW 11/64-40 L=5           |         |        |      |       |      | 1   |          |
| 32  | D           | 13717004    |             | REGULATING HINGE PIN         |         |        |      |       |      | 1   |          |
| 33  |             | SD0800402TP |             | HINGE SCREW D= 8 H= 4        |         |        |      |       |      | 1   |          |
| 34  | D           | 13716105    |             | CONNECTING STUD              |         |        |      |       |      | 1   |          |
| 35  |             | RE0600000K0 |             | E-RING 6                     |         |        |      |       |      | 1   |          |
| 36  |             | 13717400    |             | SPRING B                     |         |        |      |       |      | 1   |          |
| 37  |             | B2006372000 |             | ADJUSTING SCREW              |         |        |      |       |      | 1   |          |
| 38  |             | NS6110420SP |             | NUT 11/64-40                 |         |        |      |       |      | 2   |          |
| 39  | R           | CS1401014SP | CS140101ASP | THRUST COLLAR                |         |        |      |       |      | 2   | 1.00     |
| 40  | R           | SS8150410SP | SS8150410TP | SCREW 15/64-28 L=4           |         |        |      |       |      | 4   | 1.00     |
| 41  |             | G1429875000 |             | REGULATING CYLINDER SHAFT    |         |        |      |       |      | 1   |          |
| 42  |             | G1430875000 |             | REGULATING STOPPER PLATE     |         |        |      |       |      | 1   |          |
| 43  |             | SS4120915SP |             | SCREW 3/16-28 L=9            |         |        |      |       |      | 2   |          |
| 44  |             | SS8152030SP |             | SCREW 15/64-28 L=20          |         |        |      |       |      | 1   |          |
| 45  |             | NS6150310SP |             | NUT 15/64-28                 |         |        |      |       |      | 1   |          |
| 46  |             | NS6150310SP |             | NUT 15/64-28                 |         |        |      |       |      | 1   |          |



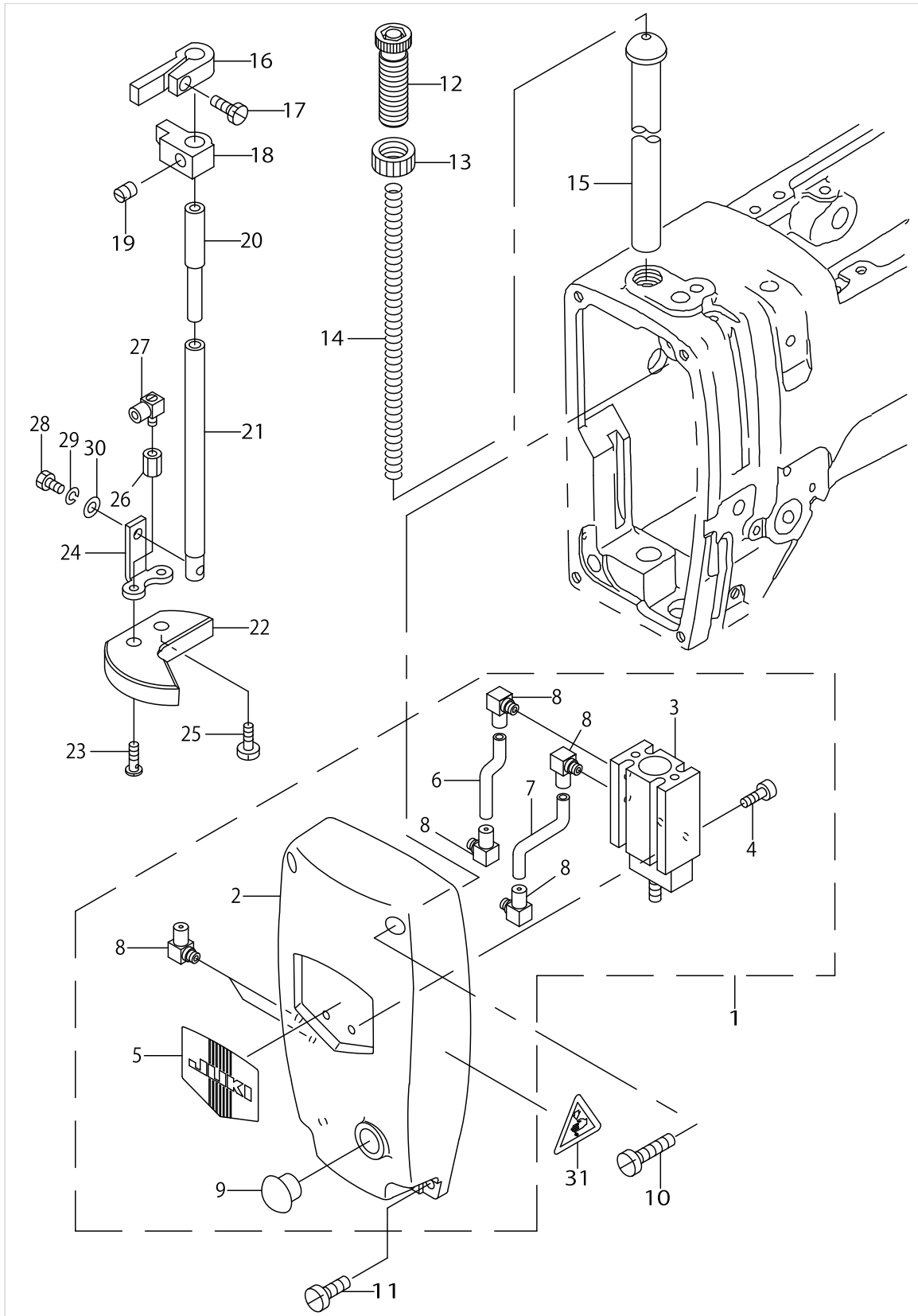
NEEDLE BAR COMPONENTS (2)



NEEDLE BAR COMPONENTS (2)

| No. | Supply Code | Parts No.   | Replacement | Parts name               | Remarks | Choice | Step | Level | Cons | Qty | Rep. QTY |
|-----|-------------|-------------|-------------|--------------------------|---------|--------|------|-------|------|-----|----------|
| 47  |             | SS8152030SP |             | SCREW 15/64-28L=20       |         |        |      |       |      | 1   |          |
| 48  |             | NS6150310SP |             | NUT 15/64-28             |         |        |      |       |      | 1   |          |
| 49  |             | 13716907    |             | SUSPENSION SCREW         |         |        |      |       |      | 1   |          |
| 50  |             | 13716808    |             | SPRING                   |         |        |      |       |      | 1   |          |
| 51  |             | 40009095    |             | SWING ARM STOPPER        |         |        |      |       |      | 1   |          |
| 52  |             | B1432761000 |             | SWING ARM STOPPER RUBBER |         |        |      |       |      | 1   |          |

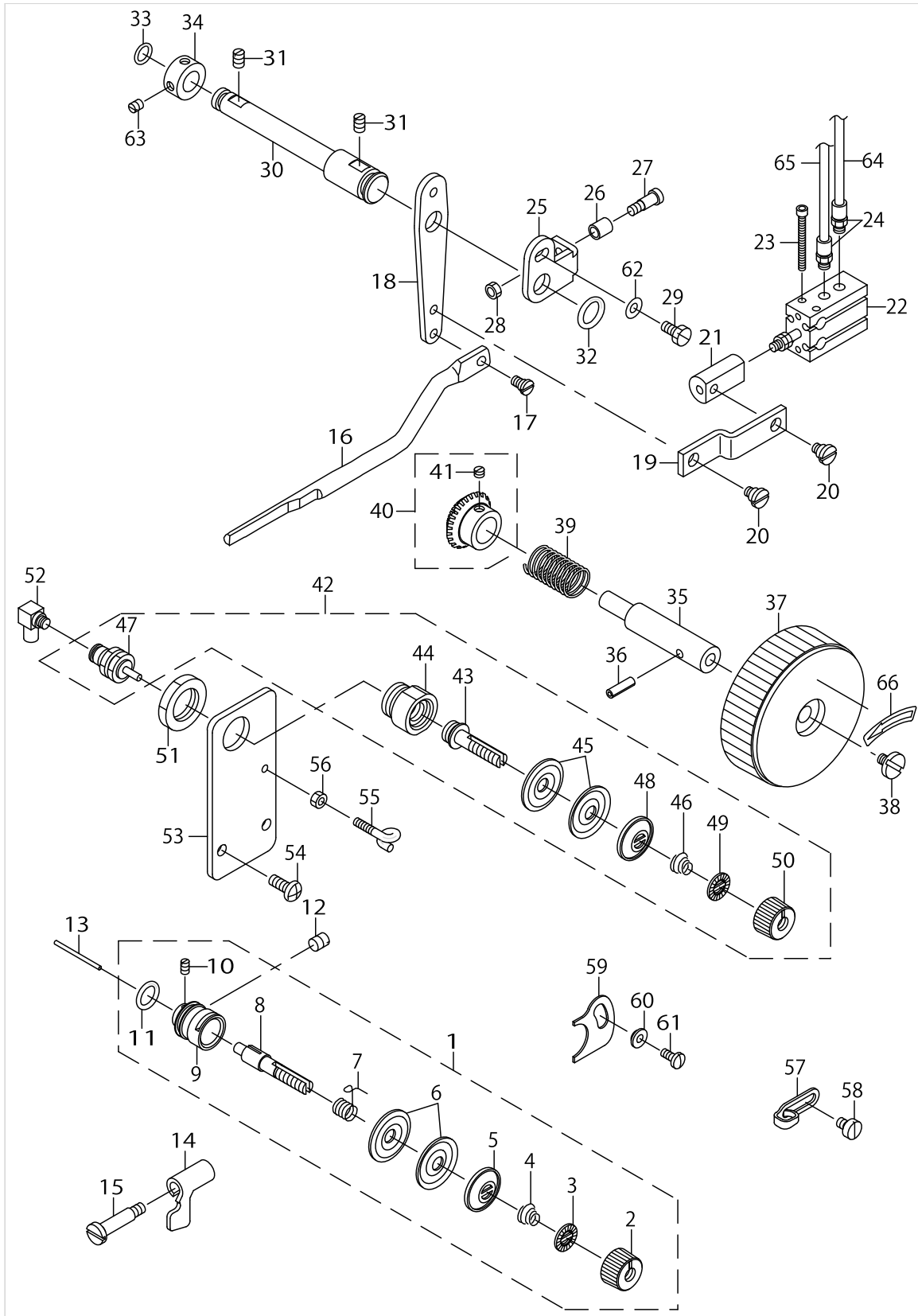
PRESSER MECHANISM COMPONENTS



PRESSER MECHANISM COMPONENTS

| No. | Supply Code | Parts No.   | Replacement | Parts name                       | Remarks | Choice | Step | Level | Cons | Qty  | Rep. QTY |
|-----|-------------|-------------|-------------|----------------------------------|---------|--------|------|-------|------|------|----------|
| 1   |             | G16018750A0 |             | FACE COVER ASM.                  |         |        |      |       |      | 1    |          |
| 2   |             | G1601875000 |             | FACE COVER                       |         |        |      | *     |      | 1    |          |
| 3   |             | PA200201000 |             | FREE-MOUNT CYLINDER              |         |        |      | *     |      | 1    |          |
| 4   |             | SM6052502TP |             | SCREW M5X0.8 L=25                |         |        |      | *     |      | 1    |          |
| 5   |             | 22902506    |             | FACE PLATE                       |         |        |      | *     |      | 1    |          |
| 6   |             | BT0400251EB |             | URETHANE HOSE, BLACK             |         |        |      | *     |      | 0.06 |          |
| 7   |             | BT0400251EB |             | URETHANE HOSE, BLACK             |         |        |      | *     |      | 0.05 |          |
| 8   |             | PJ046052503 |             | HOSE ELBOW                       |         |        |      | *     |      | 6    |          |
| 9   |             | TA1250406R0 |             | RUBBER PLUG D=12.5 L=4           |         |        |      | *     |      | 1    |          |
| 10  |             | SS6123010SP |             | SCREW 3/16-28 L=30.0             |         |        |      |       |      | 2    |          |
| 11  |             | SS4121415SP |             | SCREW 3/16-28 L=14               |         |        |      |       |      | 2    |          |
| 12  | R           | 22907505    | 22907554    | PRESSER SPRING REGULATOR         |         |        |      |       |      | 1    | 1.00     |
| 13  | R           | 22907604    | 22907554    | PRESSER SPRING<br>REGULATOR NUT  |         |        |      |       |      | 1    | 1.00     |
| 14  |             | B1611220000 |             | SPRING                           |         |        |      |       |      | 1    |          |
| 15  |             | 14208409    |             | PRESSER GUIDE BAR                |         |        |      |       |      | 1    |          |
| 16  |             | B1504051000 |             | PRESSER BAR GUIDE BRACKET        |         |        |      |       |      | 1    |          |
| 17  |             | SS9091010SP |             | SCREW 9/64-40 L=10               |         |        |      |       |      | 1    |          |
| 18  |             | G1603875000 |             | PRESSER BAR CONNECTION           |         |        |      |       |      | 1    |          |
| 19  |             | SS8660810TP |             | SCREW 1/4-40 L=8                 |         |        |      |       |      | 1    |          |
| 20  | R           | D1510491D00 | 40014007    | BUSHING, LOWER                   |         |        |      |       |      | 1    | 1.00     |
| 21  |             | G1604875000 |             | PRESSER BAR                      |         |        |      |       |      | 1    |          |
| 22  |             | G1606875000 |             | PRESSER PLUNGER                  |         |        |      |       |      | 1    |          |
| 23  |             | G1611870000 |             | AIR ADJUSTING                    |         |        |      |       |      | 1    |          |
| 24  |             | G1605870000 |             | PRESSER PLUNGER<br>FITTING PLATE |         |        |      |       |      | 1    |          |
| 25  |             | SM4051001SN |             | SCREW M5                         |         |        |      |       |      | 1    |          |
| 26  |             | G1610870000 |             | PIPE ADJUSTING                   |         |        |      |       |      | 1    |          |
| 27  |             | PJ046052503 |             | HOSE ELBOW                       |         |        |      |       |      | 1    |          |
| 28  |             | SS9111010SP |             | SCREW 11/64-40 L=9.5             |         |        |      |       |      | 1    |          |
| 29  |             | WS0451040KP |             | SPRING WASHER 4.5X8.5X1          |         |        |      |       |      | 1    |          |
| 30  |             | WP0450826SC |             | WASHER 4.5X10X0.8                |         |        |      |       |      | 1    |          |
| 31  |             | CM300200001 |             | ATTENTION SEAL                   |         |        |      |       |      | 1    |          |

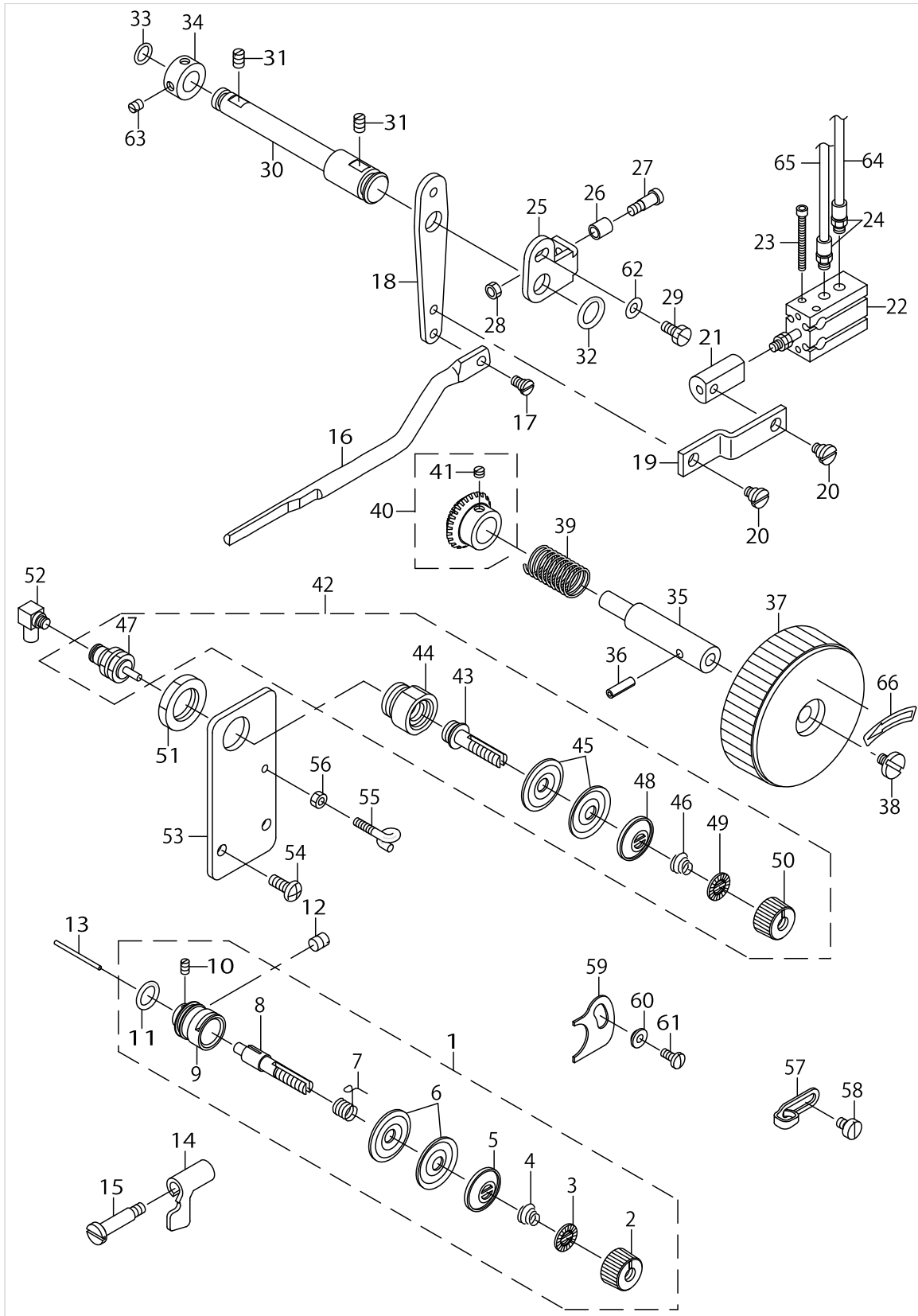
# THREAD RISING COMPONENTS



THREAD RISING COMPONENTS

| No. | Supply Code | Parts No.    | Replacement | Parts name                  | Remarks | Choice | Step | Level | Cons | Qty | Rep. QTY |
|-----|-------------|--------------|-------------|-----------------------------|---------|--------|------|-------|------|-----|----------|
| 1   |             | G31018750A0  |             | THREAD TENSION ASM.         |         |        |      |       |      | 1   |          |
| 2   |             | 11072204     |             | TENSION NUT                 |         |        |      | *     |      | 1   |          |
| 3   |             | B3120125000  |             | ROTATING STOPPER            |         |        |      | *     |      | 1   |          |
| 4   |             | B3114232000  |             | THREAD TENSION SPRING       |         |        |      | *     |      | 1   |          |
| 5   |             | B3132552000  |             | THREAD TENSION DISK PRESSER |         |        |      | *     |      | 1   |          |
| 6   | R           | B3126012000  | 22921506    | THREAD TENSION DISK         |         |        |      | *     |      | 2   | 1.00     |
| 7   |             | B3112761000  |             | THREAD TAKE-UP SPRING       |         |        |      | *     |      | 1   |          |
| 8   |             | B3111761000  |             | TENSION POST NO.3           |         |        |      | *     |      | 1   |          |
| 9   | R           | 13761507     | G31018750A0 | TENSION POST SOCKET         |         |        |      | *     |      | 1   | 1.00     |
| 10  |             | SS8090670SP  |             | SCREW 9/64-40 L=5.5         |         |        |      | *     |      | 1   |          |
| 11  |             | RO095200100  |             | RUBBER RING                 |         |        |      | *     |      | 1   |          |
| 12  |             | SS8150760TP  |             | SCREW 15/64-28 L=7.0        |         |        |      |       |      | 1   |          |
| 13  |             | B3118552F00  |             | TENSION RELEASING PIN       |         |        |      |       |      | 1   |          |
| 14  |             | 13761309     |             | TENSION RELEASE PLATE NO.3  |         |        |      |       |      | 1   |          |
| 15  |             | SD0602001SP  |             | HINGE SCREW D=6 H=20        |         |        |      |       |      | 1   |          |
| 16  |             | 13761200     |             | TENSION RELEASE ROD NO.3    |         |        |      |       |      | 1   |          |
| 17  |             | SD0530221SP  |             | HINGE SCREW D= 5.3 H= 2.2   |         |        |      |       |      | 1   |          |
| 18  |             | G2305875000  |             | LINK                        |         |        |      |       |      | 1   |          |
| 19  |             | G2306875000  |             | CYLINDER CONNECTING PLATE   |         |        |      |       |      | 1   |          |
| 20  |             | SD0640321TP  |             | HINGE SCREW D=6.35 H=3.2    |         |        |      |       |      | 2   |          |
| 21  |             | G2310875000  |             | CYLINDER KNUCKLE            |         |        |      |       |      | 1   |          |
| 22  |             | PA1001528A0  |             | FREE-MOUNT CYLINDER         |         |        |      |       |      | 1   |          |
| 23  |             | SM6033002TP  |             | SCREW M3 L=30               |         |        |      |       |      | 2   |          |
| 24  |             | PJ032052503  |             | HOSE NIPPLE                 |         |        |      |       |      | 2   |          |
| 25  |             | G2304875000  |             | LINK                        |         |        |      |       |      | 1   |          |
| 26  |             | B2403232000  |             | ROLLER,FOR TRIPPING STUD    |         |        |      |       |      | 1   |          |
| 27  |             | SD0500803TP  |             | HINGESCREWD=5H=8            |         |        |      |       |      | 1   |          |
| 28  |             | NS6110310SP  |             | NUT 11/64-40                |         |        |      |       |      | 1   |          |
| 29  |             | SS9110920CP  |             | SCREW 11/64-40 L=9          |         |        |      |       |      | 1   |          |
| 30  |             | G2301875000  |             | SHAFT                       |         |        |      |       |      | 1   |          |
| 31  |             | SS8120740SP  |             | SCREW 3/16-28 L=7           |         |        |      |       |      | 2   |          |
| 32  | D           | RO108240100  |             | RUBBER RING                 |         |        |      |       |      | 1   |          |
| 33  |             | RO068190100  |             | RUBBER RING                 |         |        |      |       |      | 1   |          |
| 34  |             | CS1000811SP  |             | THRUST COLLAR               |         |        |      |       |      | 1   |          |
| 35  |             | G1213875000  |             | NEAR PULLEY SHAFT           |         |        |      |       |      | 1   |          |
| 36  |             | PS0400142KH  |             | SPRING PIN 4X14             |         |        |      |       |      | 1   |          |
| 37  |             | B1212210D00  |             | PULLEY                      |         |        |      |       |      | 1   |          |
| 38  |             | A1230500000A |             | HANDWHEEL SETSCREW          |         |        |      |       |      | 1   |          |
| 39  |             | D3902481C00A |             | SPRING                      |         |        |      |       |      | 1   |          |
| 40  |             | B13061550A0  |             | PINION ASM.                 |         |        |      |       |      | 1   |          |
| 41  |             | SS8660810TP  |             | SCREW 1/4-40 L=8            |         |        |      | *     |      | 1   |          |
| 42  |             | G23013090A0  |             | THREAD TENSION ASM.         |         |        |      |       |      | 1   |          |
| 43  |             | G2301309000  |             | THREAD TENSION ROD          |         |        |      | *     |      | 1   |          |
| 44  |             | G2302309000  |             | THREAD TENSION ROD BASE     |         |        |      | *     |      | 1   |          |
| 45  | R           | B3126012000  | 22921506    | THREAD TENSION DISK         |         |        |      | *     |      | 2   | 1.00     |
| 46  |             | B3129012A00  |             | TENSION SPRING              |         |        |      | *     |      | 1   |          |

# THREAD RISING COMPONENTS

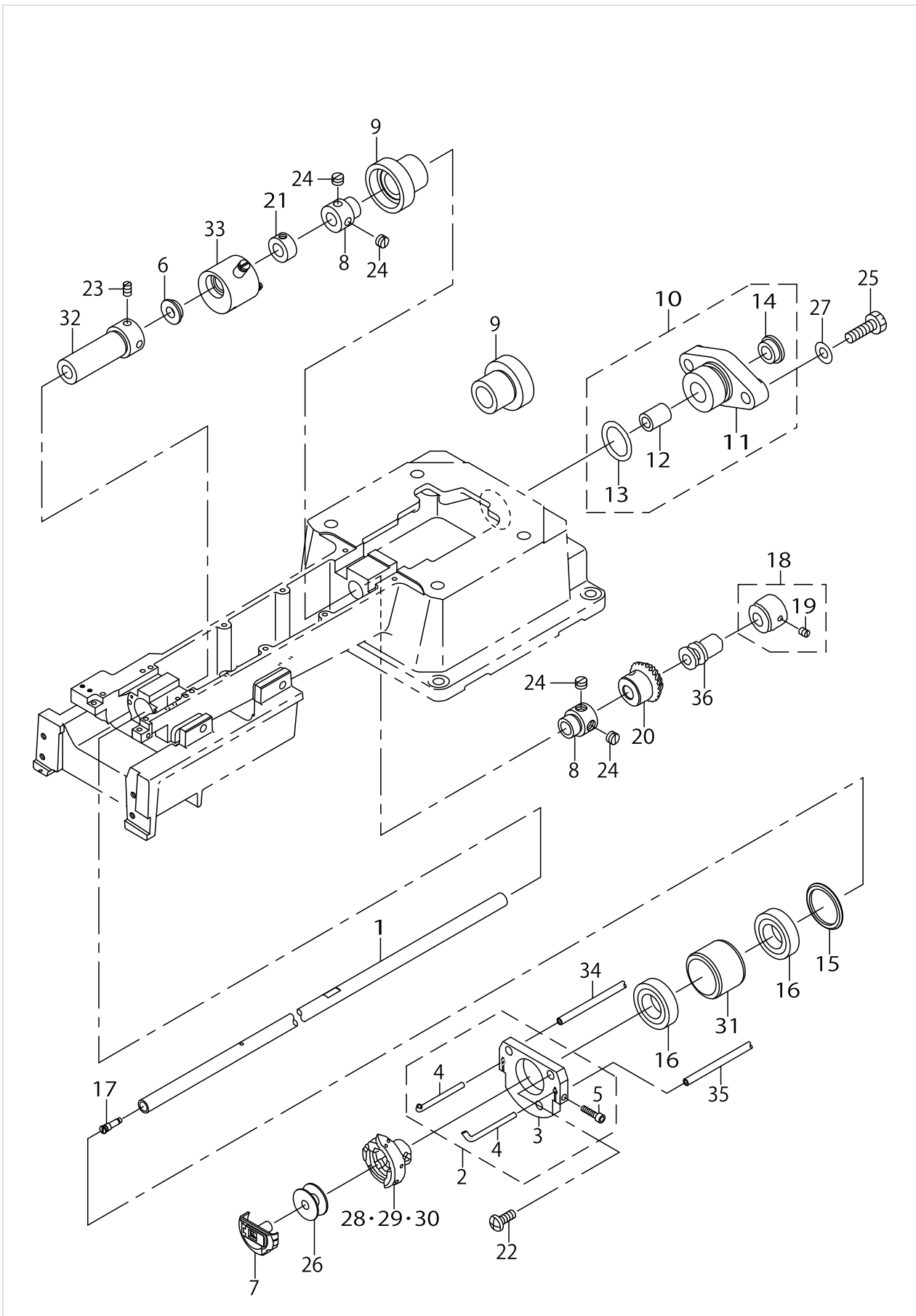


THREAD RISING COMPONENTS

| No. | Supply Code | Parts No.   | Replacement | Parts name                        | Remarks | Choice | Step | Level | Cons | Qty | Rep. QTY |
|-----|-------------|-------------|-------------|-----------------------------------|---------|--------|------|-------|------|-----|----------|
| 47  |             | PA0600504A0 |             | AIR CYLINDER                      |         |        |      | *     |      | 1   |          |
| 48  |             | B3132552000 |             | THREAD TENSION DISK PRESSER       |         |        |      | *     |      | 1   |          |
| 49  |             | B3120125000 |             | ROTATING STOPPER                  |         |        |      | *     |      | 1   |          |
| 50  |             | 11072204    |             | TENSION NUT                       |         |        |      | *     |      | 1   |          |
| 51  |             | NM6160511SE |             | NUT M16X1.5                       |         |        |      |       |      | 1   |          |
| 52  |             | PJ046052503 |             | HOSE ELBOW                        |         |        |      |       |      | 1   |          |
| 53  | D           | G1214875000 |             | THREAD TENSION FITTING PLATE      |         |        |      |       |      | 1   |          |
| 54  |             | SS4121215SP |             | SCREW 3/16-28 L=12                |         |        |      |       |      | 2   |          |
| 55  |             | B3114771000 |             | THREAD GUIDE                      |         |        |      |       |      | 1   |          |
| 56  |             | NS6090310SN |             | NUT 9/64-40                       |         |        |      |       |      | 1   |          |
| 57  | R           | 11018504    | 22920508    | ARMTHREADGUIDEA                   |         |        |      |       |      | 1   | 1.00     |
| 58  |             | 22921001    |             | SCREW                             |         |        |      |       |      | 1   |          |
| 59  |             | G2313870000 |             | THREAD CUTTING<br>SENSOR PLATE IN |         |        |      |       |      | 1   |          |
| 60  |             | B2703210000 |             | BUSHING                           |         |        |      |       |      | 1   |          |
| 61  |             | SS7090850SP |             | SCREW 9/64-40 L=8                 |         |        |      |       |      | 1   |          |
| 62  |             | WP0450801SD |             | WASHER 4.5X10X0.8                 |         |        |      |       |      | 1   |          |
| 63  |             | SS8110520TP |             | SCREW 11/64-40 L= 4.5             |         |        |      |       |      | 2   |          |
| 64  |             | BT0400251EB |             | URETHANE HOSE, BLACK              |         |        |      |       |      | .65 |          |
| 65  |             | BT0400251EB |             | URETHANE HOSE, BLACK              |         |        |      |       |      | .65 |          |
| 66  |             | B1144210000 |             | REVOLVING DIRECTION LABEL         |         |        |      |       |      | 1   |          |



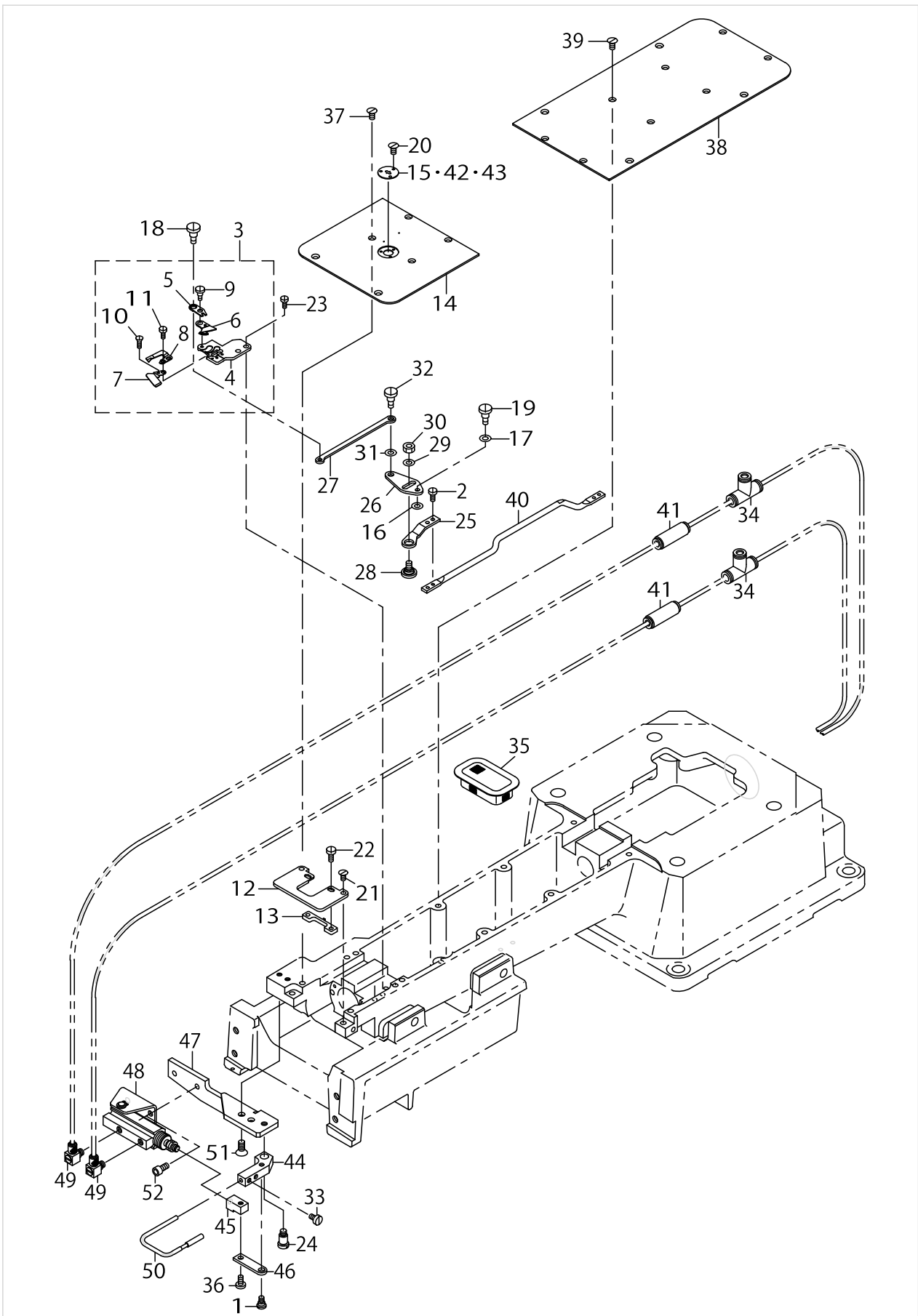
# SHUTTLE DRIVER SHAFT COMPONENTS



SHUTTLE DRIVER SHAFT COMPONENTS

| No. | Supply Code | Parts No.   | Replacement | Parts name                        | Remarks         | Choice | Step | Level | Cons | Qty | Rep. QTY |
|-----|-------------|-------------|-------------|-----------------------------------|-----------------|--------|------|-------|------|-----|----------|
| 1   | R           | G1801875000 | 72000911    | HOOK DRIVING SHAFT                |                 |        |      |       |      | 1   | 1.00     |
| 2   |             | G18028750A0 |             | FIXING PLATE ASM.                 |                 |        |      |       |      | 1   |          |
| 3   |             | G1802875000 |             | FIXING PLATE                      |                 |        |      | *     |      | 1   |          |
| 4   |             | G1803875000 |             | HOOK DUST REMOVAL PIPE            |                 |        |      | *     |      | 2   |          |
| 5   |             | SM6031202TP |             | SCREW M3X0.5 L=12                 |                 |        |      | *     |      | 2   |          |
| 6   |             | G1808870000 |             | LOWER SHAFT HOUSING BUSH          |                 |        |      |       |      | 1   |          |
| 7   |             | G18168750A0 |             | BOBBIN CASE ASM.                  |                 |        |      |       |      | 1   |          |
| 8   |             | G1810870000 |             | SLEEVE B                          |                 |        |      |       |      | 2   |          |
| 9   |             | G18118700A0 |             | LOWER SHAFT HOUSING ASM.          |                 |        |      |       |      | 2   |          |
| 10  |             | G18138700A0 |             | LOWER SHAFT BLOCK ASM.            |                 |        |      |       |      | 1   |          |
| 11  |             | G1813870000 |             | LOWER SHAFT BLOCK                 |                 |        |      | *     |      | 1   |          |
| 12  |             | 11911203    |             | BUSHING, REAR                     |                 |        |      | *     |      | 1   |          |
| 13  |             | RO195240100 |             | RUBBER RING                       |                 |        |      | *     |      | 1   |          |
| 14  |             | TA1250406R0 |             | RUBBER PLUG D=12.5 L=4            |                 |        |      | *     |      | 1   |          |
| 15  |             | G1303870000 |             | UPPER BEARING SPACER              |                 |        |      |       |      | 1   |          |
| 16  |             | G1211870000 |             | UPPER SHAFT MID-DLE METAL BEARING |                 |        |      |       |      | 2   |          |
| 17  |             | 11404753    |             | OIL SEAL SCREW                    |                 |        |      |       |      | 1   |          |
| 18  |             | 22950950    |             | CAM COLLAR ASM.                   |                 |        |      |       |      | 1   |          |
| 19  |             | SS8110520TP |             | SCREW 11/64-40 L= 4.5             |                 |        |      | *     |      | 1   |          |
| 20  |             | B13081550A0 |             | PINION ASM.                       |                 |        |      |       |      | 1   |          |
| 21  |             | CS079073ASH |             | THRUST COLLAR ASM.                |                 |        |      |       |      | 1   |          |
| 22  |             | SS4121215SP |             | SCREW 3/16-28 L=12                |                 |        |      |       |      | 3   |          |
| 23  |             | SS8110750SP |             | SCREW 11/64-40 L= 6.5             |                 |        |      |       |      | 2   |          |
| 24  |             | SS8660610TP |             | SCREW 1/4-40 L=6                  |                 |        |      |       |      | 4   |          |
| 25  |             | SS9151910SN |             | SCREW 15/64-28 L=19               |                 |        |      |       |      | 2   |          |
| 26  |             | G1817875000 |             | BOBBIN                            |                 |        |      |       |      | 1   |          |
| 27  |             | WP0621016SD |             | WASHER 6.2X13X1                   |                 |        |      |       |      | 2   |          |
| 28  |             | G1814875AA0 |             | LUBRICATING HOOK ASM.             | SELECTIVE PARTS |        |      |       |      | 1   |          |
| 29  |             | G18148750AA |             | LUBRICATING HOOK A ASM.           | SELECTIVE PARTS |        |      |       |      | 1   |          |
| 30  |             | G18148750AB |             | LUBRICATING HOOK B ASM.           | SELECTIVE PARTS |        |      |       |      | 1   |          |
| 31  |             | G1804870000 |             | LOWER SHAFT SPACER COLLAR         |                 |        |      |       |      | 1   |          |
| 32  |             | G1805870000 |             | SLEEVE A                          |                 |        |      |       |      | 1   |          |
| 33  |             | G18068700B0 |             | LOWER SHAFT OILING HOUSING ASM    |                 |        |      |       |      | 1   |          |
| 34  |             | BT0400251EB |             | URETHANE HOSE, BLACK              |                 |        |      |       |      | .15 |          |
| 35  |             | BT0400251EB |             | URETHANE HOSE, BLACK              |                 |        |      |       |      | .13 |          |
| 36  | R           | 11042850    | 22950851    | THREAD TRIMMER CAM ASM.           |                 |        |      |       |      | 1   | 1.00     |

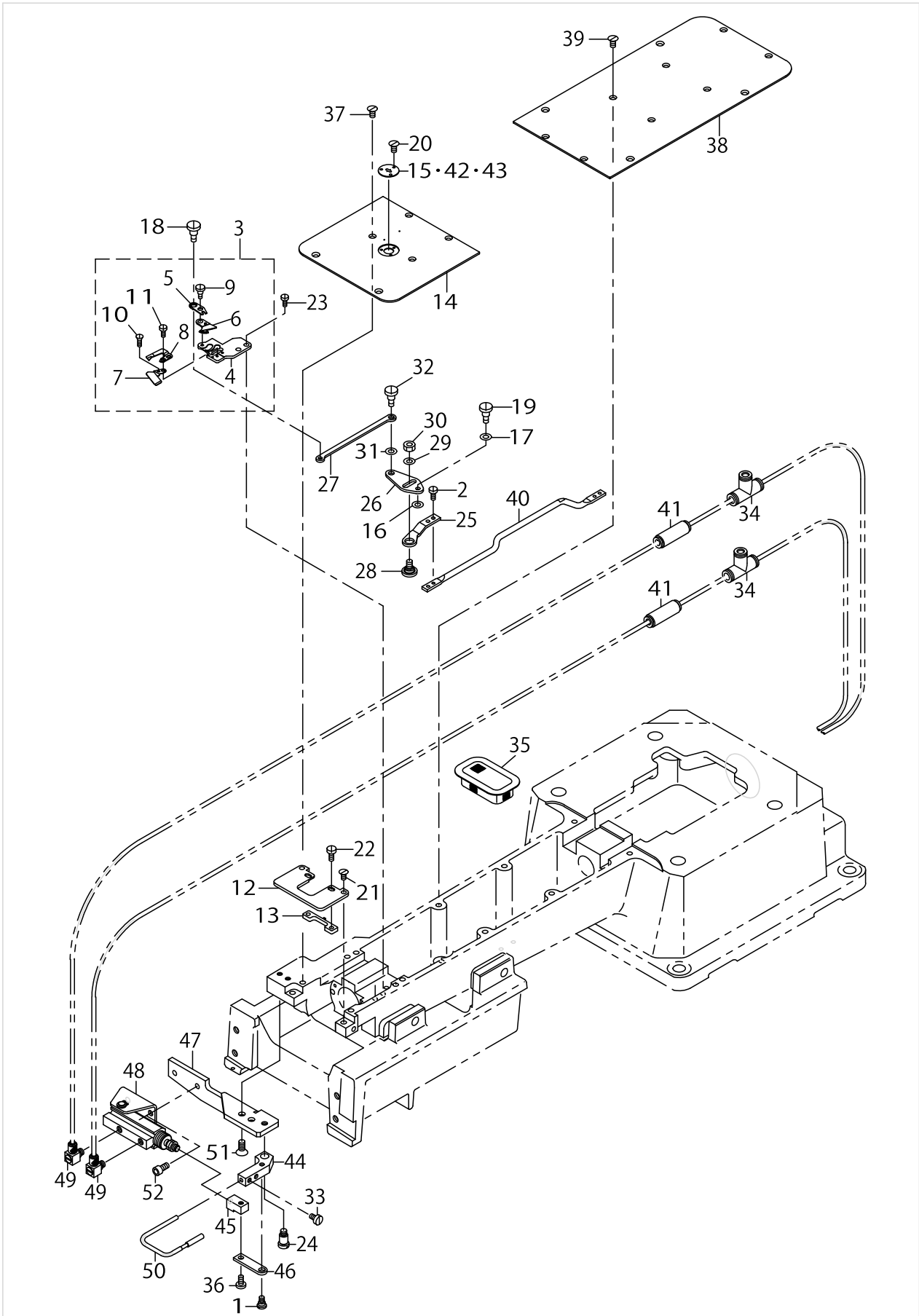
THREAD TRIMMER MECHANISM COMPONENTS (1)



THREAD TRIMMER MECHANISM COMPONENTS (1)

| No. | Supply Code | Parts No.   | Replacement | Parts name                 | Remarks         | Choice | Step | Level | Cons | Qty | Rep. QTY |
|-----|-------------|-------------|-------------|----------------------------|-----------------|--------|------|-------|------|-----|----------|
| 1   |             | SD0500204TP |             | HINGE SCREW                |                 |        |      |       |      | 1   |          |
| 2   |             | SS7110710SP |             | SCREW 11/64-40 L=7         |                 |        |      |       |      | 2   |          |
| 3   |             | G24098750A0 |             | KNIFE INSTALLING BASE ASM. |                 |        |      |       |      | 1   |          |
| 4   |             | G2409875000 |             | KNIFE FITTING BASE         |                 |        |      | *     |      | 1   |          |
| 5   |             | G2410870000 |             | MOVING KNIFE ARM           |                 |        |      | *     |      | 1   |          |
| 6   |             | 11409257    |             | MOVING KNIFE J.ASM.        |                 |        |      | *     |      | 1   |          |
| 7   |             | 11409802    |             | THREAD TENSION GUIDE       |                 |        |      | *     |      | 1   |          |
| 8   |             | 11409604    |             | FIX KNIFE                  |                 |        |      | *     |      | 1   |          |
| 9   |             | SD0500231TP |             | HINGE SCREW                |                 |        |      | *     |      | 1   |          |
| 10  |             | SS2060210SP |             | SCREW 3/32-56 L=2.3        |                 |        |      | *     |      | 1   |          |
| 11  |             | SS4080620TP |             | SCREW 1/8-44 L=6           |                 |        |      | *     |      | 2   |          |
| 12  |             | G2418875000 |             | INSTALLING PLATE           |                 |        |      |       |      | 1   |          |
| 13  |             | G2419875000 |             | INNER HOOK PRESSER         |                 |        |      |       |      | 1   |          |
| 14  |             | G2420875000 |             | THROAT PLATE A             |                 |        |      |       |      | 1   |          |
| 15  |             | G2422875000 |             | NEEDLE HOLE GUIDE          | SELECTIVE PARTS |        |      |       |      | 1   |          |
| 16  |             | 11273505    |             | BRANCH SPACER              |                 |        |      |       |      | 1   |          |
| 17  |             | B255728000A |             | WASHER FOR DRIVING ARM     |                 |        |      |       |      | 1   |          |
| 18  |             | SD0600181TP |             | HINGE SCREW                |                 |        |      |       |      | 1   |          |
| 19  |             | SD0640391TP |             | HINGE SCREW D= 6.35 H= 3.9 |                 |        |      |       |      | 1   |          |
| 20  |             | SS1060210TP |             | SCREW 3/32-56 L=2.2        |                 |        |      |       |      | 3   |          |
| 21  |             | SS1121010SP |             | SCREW                      |                 |        |      |       |      | 2   |          |
| 22  |             | SS6110610TP |             | SCREW 11/64-40 L=6         |                 |        |      |       |      | 2   |          |
| 23  |             | SS6121050SP |             | SCREW 3/16-28 L=9.5        |                 |        |      |       |      | 2   |          |
| 24  |             | SD0640752TP |             | HINGE SCREW D= 6.35 H= 7.5 |                 |        |      |       |      | 1   |          |
| 25  |             | G2406870000 |             | MOVINGKNIFELINK,B          |                 |        |      |       |      | 1   |          |
| 26  |             | G2407870000 |             | MOVINGKNIFELINK,C          |                 |        |      |       |      | 1   |          |
| 27  | R           | G2408870000 | 72000839    | MOVINGKNIFELINK,D          |                 |        |      |       |      | 1   | 1.00     |
| 28  |             | 22950000    |             | PICKER LINK PIN            |                 |        |      |       |      | 1   |          |
| 29  |             | WP0621016SH |             | WASHER                     |                 |        |      |       |      | 1   |          |
| 30  |             | NS6150430SP |             | NUT 15/64-28               |                 |        |      |       |      | 1   |          |
| 31  |             | B1618804000 |             | WASHER                     |                 |        |      |       |      | 1   |          |
| 32  |             | SD0600403TP |             | SHOULDER SCREW D=6 H=4     |                 |        |      |       |      | 1   |          |
| 33  | R           | SS6090650SP | SS6090670TP | SCREW 9/64-40 L=6          |                 |        |      |       |      | 2   | 1.00     |
| 34  |             | PJ305060004 |             | TEE UNION                  |                 |        |      |       |      | 2   |          |
| 35  |             | G3526875000 |             | NET                        |                 |        |      |       |      | 1   |          |
| 36  |             | SS7090710SP |             | SCREW 9/64-40 L=6.8        |                 |        |      |       |      | 1   |          |
| 37  |             | SS1121010SP |             | SCREW                      |                 |        |      |       |      | 4   |          |
| 38  |             | G2421875000 |             | THROAT PLATE B             |                 |        |      |       |      | 1   |          |
| 39  |             | SS1121010SP |             | SCREW                      |                 |        |      |       |      | 8   |          |
| 40  |             | G2405870000 |             | CONNECTING BAR             |                 |        |      |       |      | 1   |          |
| 41  |             | PJ303060003 |             | UNION                      |                 |        |      |       |      | 2   |          |
| 42  |             | G242287500A |             | NEEDLE HOLE GUIDE A        | SELECTIVE PARTS |        |      |       |      | 1   |          |
| 43  |             | G242287500B |             | NEEDLE HOLE GUIDE B        | SELECTIVE PARTS |        |      |       |      | 1   |          |
| 44  |             | G2415875000 |             | PICKER HOLDER              |                 |        |      |       |      | 1   |          |
| 45  |             | G2416875000 |             | PICKER CYLINDER PIN        |                 |        |      |       |      | 1   |          |
| 46  |             | G2417875000 |             | PICKER LINK                |                 |        |      |       |      | 1   |          |

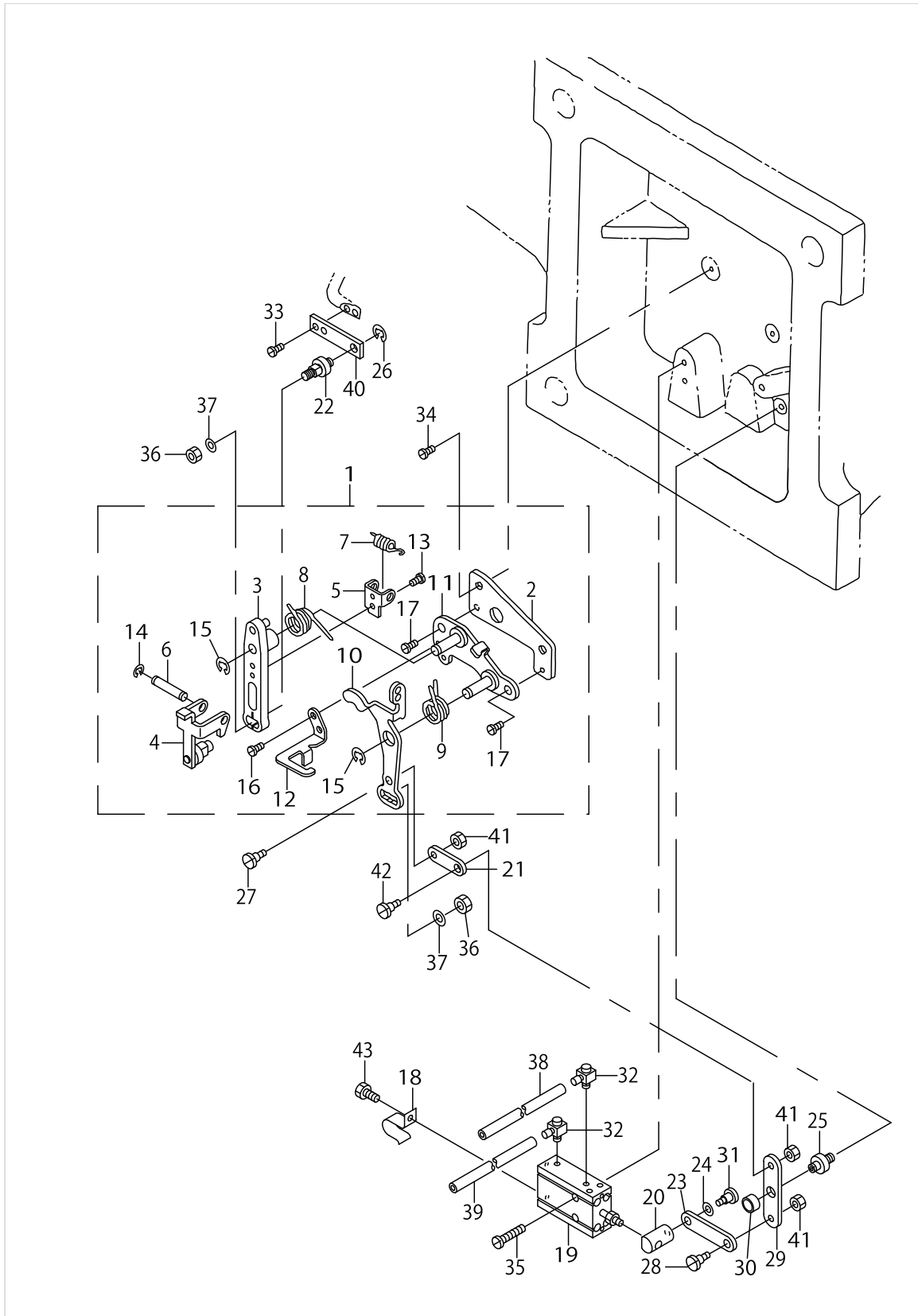
THREAD TRIMMER MECHANISM COMPONENTS (1)



THREAD TRIMMER MECHANISM COMPONENTS (1)

| No. | Supply Code | Parts No.   | Replacement | Parts name               | Remarks | Choice | Step | Level | Cons | Qty | Rep. QTY |
|-----|-------------|-------------|-------------|--------------------------|---------|--------|------|-------|------|-----|----------|
| 47  |             | G2414875000 |             | PICKER BASE              |         |        |      |       |      | 1   |          |
| 48  |             | PA1001013A0 |             | PIN CYLINDER             |         |        |      |       |      | 1   |          |
| 49  |             | PJ046052503 |             | HOSE ELBOW               |         |        |      |       |      | 2   |          |
| 50  |             | 22950356    |             | HOOK THREAD PRESSER ASM. |         |        |      |       |      | 1   |          |
| 51  |             | SS2111010TP |             | SCREW 11/64-40 L=9.5     |         |        |      |       |      | 2   |          |
| 52  |             | SM6040802TP |             | SCREW M4X0.7 L=8         |         |        |      |       |      | 2   |          |

THREAD TRIMMER MECHANISM COMPONENTS (2)

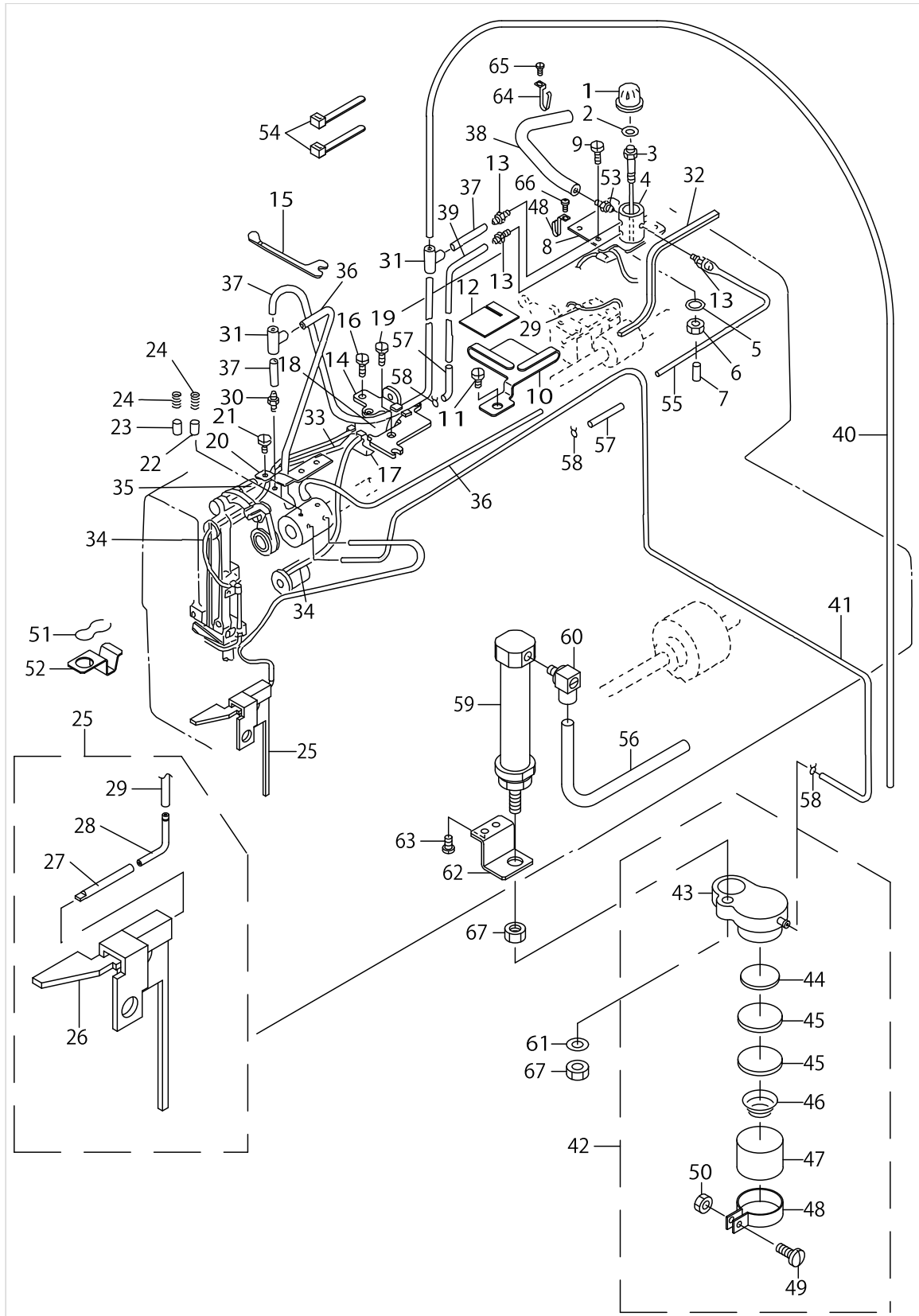


THREAD TRIMMER MECHANISM COMPONENTS (2)

| No. | Supply Code | Parts No.   | Replacement | Parts name                 | Remarks | Choice | Step | Level | Cons | Qty | Rep. QTY |
|-----|-------------|-------------|-------------|----------------------------|---------|--------|------|-------|------|-----|----------|
| 1   |             | G24018750A0 |             | THREAD TRIMMER UNIT ASM.   |         |        |      |       |      | 1   |          |
| 2   |             | G2401870000 |             | THREAD CUTTING UNIT PLATE  |         |        |      | *     |      | 1   |          |
| 3   | R           | 11040854    | 22948558    | KNIFE DRIVING ARM ASM.     |         |        |      | *     |      | 1   | 1.00     |
| 4   | R           | 11096054    | 11040953    | ROLLER ARM ASM.            |         |        |      | *     |      | 1   | 1.00     |
| 5   |             | 11094307    |             | ROLLER ARM BRACKET         |         |        |      | *     |      | 1   |          |
| 6   |             | 22949101    |             | ROLLER FULCRUM SHAFT       |         |        |      | *     |      | 1   |          |
| 7   |             | 22949200    |             | ROLLER RETURN SPRING       |         |        |      | *     |      | 1   |          |
| 8   |             | 22949309    |             | KNIFE RETURN SPRING B      |         |        |      | *     |      | 1   |          |
| 9   |             | 11094406    |             | SPRING                     |         |        |      | *     |      | 1   |          |
| 10  | R           | 11041852    | 40087245    | CLUTCH PLATE ASM.          |         |        |      | *     |      | 1   | 1.00     |
| 11  |             | 22949754    |             | BASE PLATE ASM.            |         |        |      | *     |      | 1   |          |
| 12  |             | 22950703    |             | DRIVING ARM STOPPER        |         |        |      | *     |      | 1   |          |
| 13  |             | SS7090610SP |             | SCREW 9/64-40 L=6          |         |        |      | *     |      | 1   |          |
| 14  |             | RE0400000K0 |             | E-RING 4                   |         |        |      | *     |      | 2   |          |
| 15  |             | RE0600000K0 |             | E-RING 6                   |         |        |      | *     |      | 2   |          |
| 16  |             | SS4110715SP |             | SCREW 11/64-40 L=7         |         |        |      | *     |      | 2   |          |
| 17  |             | SS4150715SP |             | SCREW 15/64-28 L=7         |         |        |      | *     |      | 2   |          |
| 18  |             | B3508220000 |             | OIL TUBE HOLDER            |         |        |      |       |      | 1   |          |
| 19  |             | PA2000601A0 |             | AIR CYLINDER               |         |        |      |       |      | 1   |          |
| 20  |             | G2402870000 |             | THREAD CUTTER CYLINDER PIN |         |        |      |       |      | 1   |          |
| 21  |             | 11094604    |             | CLUTCH LINK                |         |        |      |       |      | 1   |          |
| 22  |             | 22948400    |             | MOVING KNIFE LINK PIN      |         |        |      |       |      | 1   |          |
| 23  |             | 13721006    |             | LINK                       |         |        |      |       |      | 1   |          |
| 24  |             | G2423870000 |             | SHIM RING                  |         |        |      |       |      | 1   |          |
| 25  |             | B2414761000 |             | STOP SCREW                 |         |        |      |       |      | 1   |          |
| 26  |             | RE0500000K0 |             | E-RING                     |         |        |      |       |      | 1   |          |
| 27  |             | SD0600361SP |             | HINGE SCREW D=6 H=3.6      |         |        |      |       |      | 1   |          |
| 28  |             | SD0600361SP |             | HINGE SCREW D=6 H=3.6      |         |        |      |       |      | 1   |          |
| 29  |             | G2403870000 |             | THREAD CUTTER LINK, A      |         |        |      |       |      | 1   |          |
| 30  |             | CS079072BTH |             | THRUST COLLAR ASM.         |         |        |      |       |      | 1   |          |
| 31  |             | SD0600401TP |             | HINGE SCREW D= 6 H= 4      |         |        |      |       |      | 1   |          |
| 32  |             | PJ046052503 |             | HOSE ELBOW                 |         |        |      |       |      | 2   |          |
| 33  |             | SS7110710SP |             | SCREW 11/64-40 L=7         |         |        |      |       |      | 2   |          |
| 34  |             | SS4151415SP |             | SCREW15/64-28L=14          |         |        |      |       |      | 2   |          |
| 35  |             | SS6123010SP |             | SCREW 3/16-28 L=30.0       |         |        |      |       |      | 2   |          |
| 36  |             | NS6150430SP |             | NUT 15/64-28               |         |        |      |       |      | 2   |          |
| 37  |             | WP0621016SH |             | WASHER                     |         |        |      |       |      | 2   |          |
| 38  |             | BT0400251EB |             | URETHANE HOSE, BLACK       |         |        |      |       |      | .17 |          |
| 39  |             | BT0400251EB |             | URETHANE HOSE, BLACK       |         |        |      |       |      | .18 |          |
| 40  |             | G2404870000 |             | MOVINGKNIFELINK,A          |         |        |      |       |      | 1   |          |
| 41  |             | NS6120310SP |             | NUT 3/16-28                |         |        |      |       |      | 3   |          |
| 42  |             | SD0600361SP |             | HINGE SCREW D=6 H=3.6      |         |        |      |       |      | 1   |          |
| 43  |             | SM9050813SC |             | SCREW M5X0.8 L=8           |         |        |      |       |      | 1   |          |



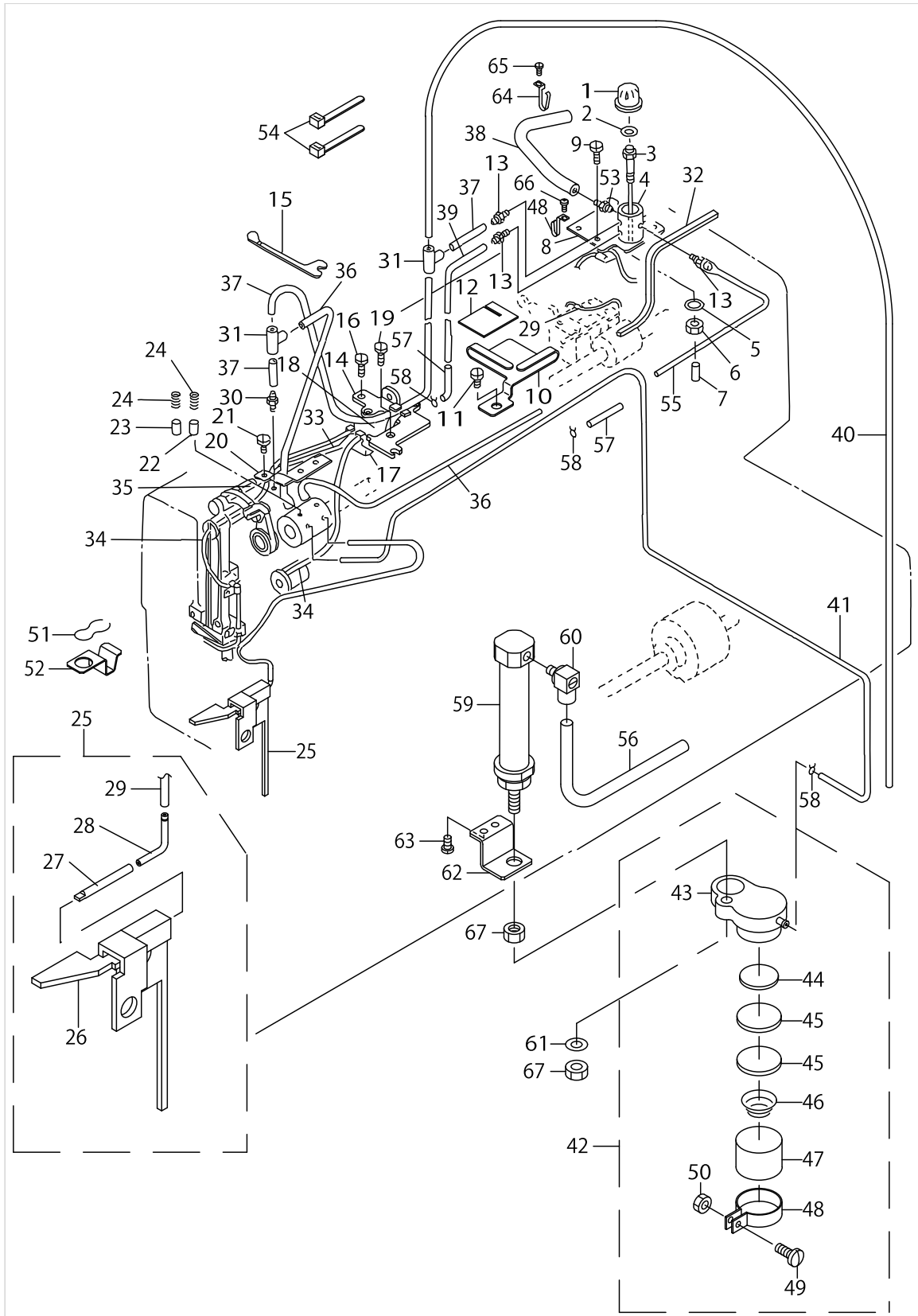
LUBRICATION COMPONENTS (1)



LUBRICATION COMPONENTS (1)

| No. | Supply Code | Parts No.   | Replacement | Parts name                   | Remarks | Choice | Step | Level | Cons | Qty | Rep. QTY |
|-----|-------------|-------------|-------------|------------------------------|---------|--------|------|-------|------|-----|----------|
| 1   |             | 13765904    |             | OIL WINDOW                   |         |        |      |       |      | 1   |          |
| 2   |             | RO098190100 |             | RUBBER RING                  |         |        |      |       |      | 1   |          |
| 3   |             | 13765706    |             | SHAFT SUPPORTER              |         |        |      |       |      | 1   |          |
| 4   |             | 13765805    |             | SHAFT                        |         |        |      |       |      | 1   |          |
| 5   |             | RO036080200 |             | RUBBER RING                  |         |        |      |       |      | 1   |          |
| 6   |             | NS6110420SP |             | NUT 11/64-40                 |         |        |      |       |      | 1   |          |
| 7   |             | TA0180401M0 |             | NEEDLE COOLER PLUG CAP       |         |        |      |       |      | 1   |          |
| 8   |             | G3531875000 |             | FITTING PLATE                |         |        |      |       |      | 1   |          |
| 9   |             | SS4120615SP |             | SCREW 3/16-28 L=6            |         |        |      |       |      | 2   |          |
| 10  |             | 13940804    |             | FELT GUIDE B                 |         |        |      |       |      | 1   |          |
| 11  |             | SS4120615SP |             | SCREW 3/16-28 L=6            |         |        |      |       |      | 1   |          |
| 12  |             | G3522870000 |             | HOOK FELT                    |         |        |      |       |      | 1   |          |
| 13  |             | SQ1110402MZ |             | CONNECTING SCREW             |         |        |      |       |      | 3   |          |
| 14  |             | 13751607    |             | STOPPER PLATE                |         |        |      |       |      | 1   |          |
| 15  |             | 13767603    |             | UPPER FACE COVER PACKING     |         |        |      |       |      | 1   |          |
| 16  |             | SS6120940SP |             | SCREW 3/16-28 L=9            |         |        |      |       |      | 2   |          |
| 17  | D           | 13766407    |             | OIL TANK B                   |         |        |      |       |      | 1   |          |
| 18  |             | 13766506    |             | OIL TANK B FELT              |         |        |      |       |      | 2   |          |
| 19  |             | SS7110350SP |             | SCREW 11/64-40 L=3.5         |         |        |      |       |      | 1   |          |
| 20  |             | 13766605    |             | THRUST PLATE                 |         |        |      |       |      | 1   |          |
| 21  |             | SS7150740SP |             | SCREW 15/64-28 L=7           |         |        |      |       |      | 1   |          |
| 22  |             | 13767405    |             | PLUNGER                      |         |        |      |       |      | 1   |          |
| 23  |             | B3534155000 |             | PLUNGER                      |         |        |      |       |      | 1   |          |
| 24  |             | B1214038000 |             | PLUNGER SPRING               |         |        |      |       |      | 2   |          |
| 25  |             | G35178750A0 |             | FACE PLATE OIL FELT ASM.     |         |        |      |       |      | 1   |          |
| 26  |             | G3517875000 |             | FACEPLATE OIL FELT           |         |        |      | *     |      | 1   |          |
| 27  |             | 13941307    |             | OIL RETURN FELT PIPE         |         |        |      | *     |      | 1   |          |
| 28  |             | 13728506    |             | OIL RETURN FELT CONNEC. PIPE |         |        |      | *     |      | 1   |          |
| 29  |             | BT0500300EG |             | OIL TUBE                     |         |        |      | *     |      | 0.2 |          |
| 30  |             | SQ1120451MZ |             | CONNECTING SCREW             |         |        |      |       |      | 1   |          |
| 31  |             | 13765607    |             | OIL CONNEC. ARM              |         |        |      |       |      | 1   |          |
| 32  |             | B3541012000 |             | OIL WICK                     |         |        |      |       |      | 1   |          |
| 33  |             | CQ303000000 |             | OIL WICK                     |         |        |      |       |      | .8  |          |
| 34  |             | CQ202000000 |             | OIL WICK                     |         |        |      |       |      | 1.4 |          |
| 35  |             | CQ3000000F0 |             | OIL FELT                     |         |        |      |       |      | .04 |          |
| 36  |             | BT0500300EG |             | OIL TUBE                     |         |        |      |       |      | .24 |          |
| 37  |             | BT0500300EA |             | OIL TUBE                     |         |        |      |       |      | .24 |          |
| 38  |             | BT0500300EA |             | OIL TUBE                     |         |        |      |       |      | .14 |          |
| 39  |             | BT0500300EA |             | OIL TUBE                     |         |        |      |       |      | .21 |          |
| 40  |             | BT0500300EA |             | OIL TUBE                     |         |        |      |       |      | .65 |          |
| 41  |             | BT0500300EA |             | OIL TUBE                     |         |        |      |       |      | .8  |          |
| 42  |             | 13941653    |             | OIL PUMP BASE ASM.           |         |        |      |       |      | 1   |          |
| 43  |             | 13941604    |             | OIL PUMP BASE                |         |        |      | *     |      | 1   |          |
| 44  |             | B3570771000 |             | FILTER                       |         |        |      | *     |      | 1   |          |
| 45  | D           | 13765201    |             | OIL FILTER                   |         |        |      | *     |      | 2   |          |
| 46  |             | B3118352000 |             | THREAD TENSION SPRING        |         |        |      | *     |      | 1   |          |

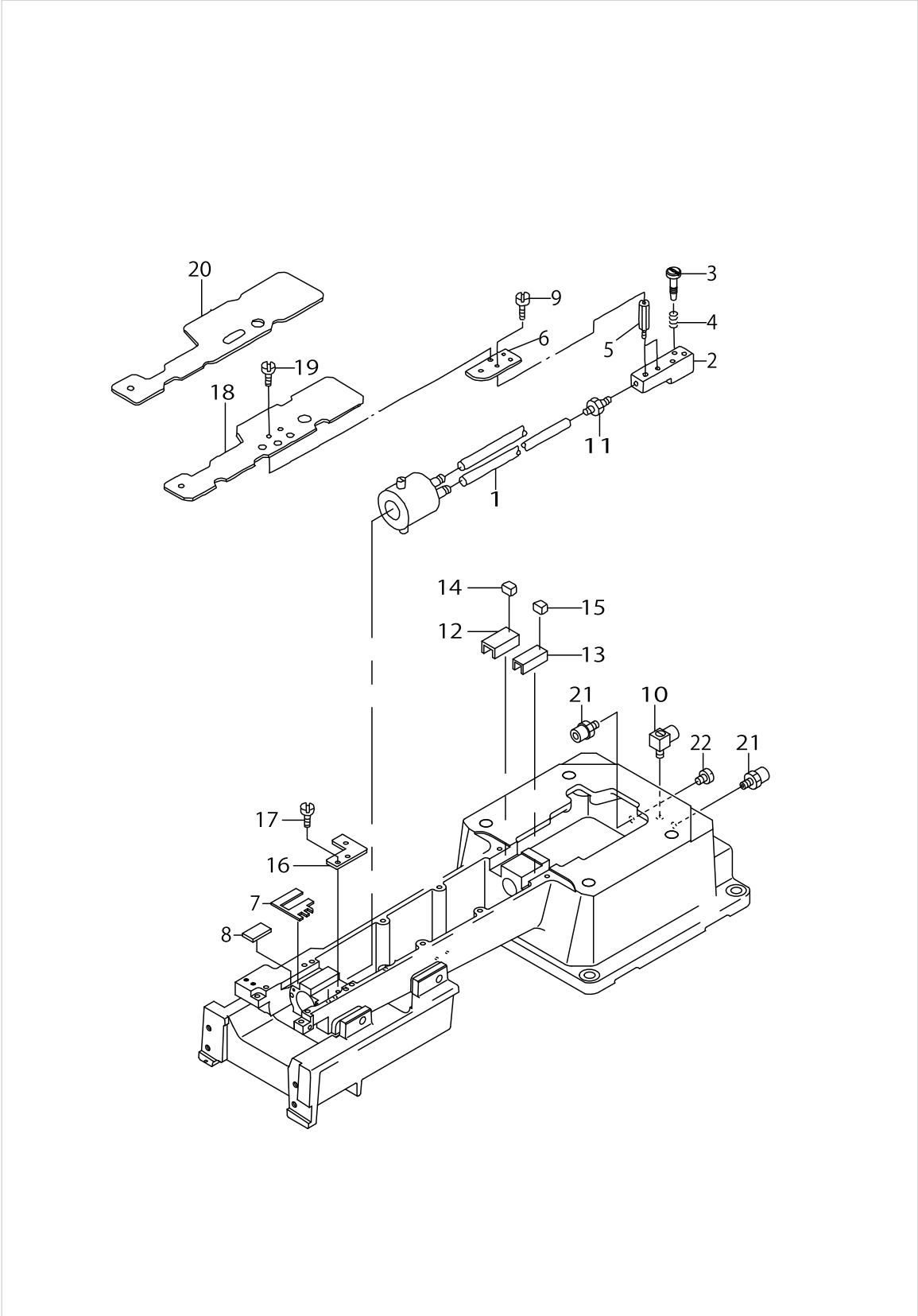
LUBRICATION COMPONENTS (1)



LUBRICATION COMPONENTS (1)

| No. | Supply Code | Parts No.   | Replacement | Parts name                  | Remarks | Choice | Step | Level | Cons | Qty | Rep. QTY |
|-----|-------------|-------------|-------------|-----------------------------|---------|--------|------|-------|------|-----|----------|
| 47  | R           | 13941802    | 13941653    | FILTER                      |         |        |      | *     |      | 1   | 1.00     |
| 48  | R           | B1850512000 | 40009379    | BUSHING HOLDER              |         |        |      | *     |      | 1   | 1.00     |
| 49  |             | SS6090910SP |             | SCREW 9/64-40 L=9           |         |        |      | *     |      | 1   |          |
| 50  |             | NS6090310SP |             | NUT 9/64-40                 |         |        |      | *     |      | 1   |          |
| 51  | D           | B3529226000 |             | OIL FELT PRESSER            |         |        |      |       |      | 1   |          |
| 52  | D           | G3516875000 |             | FACE PLATE OIL FELT PRESSER |         |        |      |       |      | 1   |          |
| 53  |             | SQ1110451MZ |             | CONNECTING SCREW            |         |        |      |       |      | 1   |          |
| 54  |             | EA9500B0100 |             | CABLE BAND                  |         |        |      |       |      | 2   |          |
| 55  |             | BT0500300EA |             | OIL TUBE                    |         |        |      |       |      | .1  |          |
| 56  |             | BT0400251EB |             | URETHANE HOSE, BLACK        |         |        |      |       |      | .7  |          |
| 57  |             | 13940903    |             | OIL WICK A                  |         |        |      |       |      | 2   |          |
| 58  |             | 10126803    |             | OIL TUBE HOLDER             |         |        |      |       |      | 3   |          |
| 59  |             | PA1604505A0 |             | EXTRA MINI-CYLINDER         |         |        |      |       |      | 1   |          |
| 60  |             | PJ046052503 |             | HOSE ELBOW                  |         |        |      |       |      | 1   |          |
| 61  |             | WP0531000SC |             | WASHER 5.3X10X1             |         |        |      |       |      | 1   |          |
| 62  |             | G3509875000 |             | FITTING PLATE               |         |        |      |       |      | 1   |          |
| 63  |             | SS6120620TP |             | SCREW                       |         |        |      |       |      | 2   |          |
| 64  |             | B3508220000 |             | OIL TUBE HOLDER             |         |        |      |       |      | 2   |          |
| 65  |             | SS4120615SP |             | SCREW 3/16-28 L=6           |         |        |      |       |      | 1   |          |
| 66  |             | SS4110515SP |             | SCREW 11/64-40 L=5          |         |        |      |       |      | 1   |          |
| 67  |             | NM6050003SC |             | NUT M5X0.8                  |         |        |      |       |      | 2   |          |

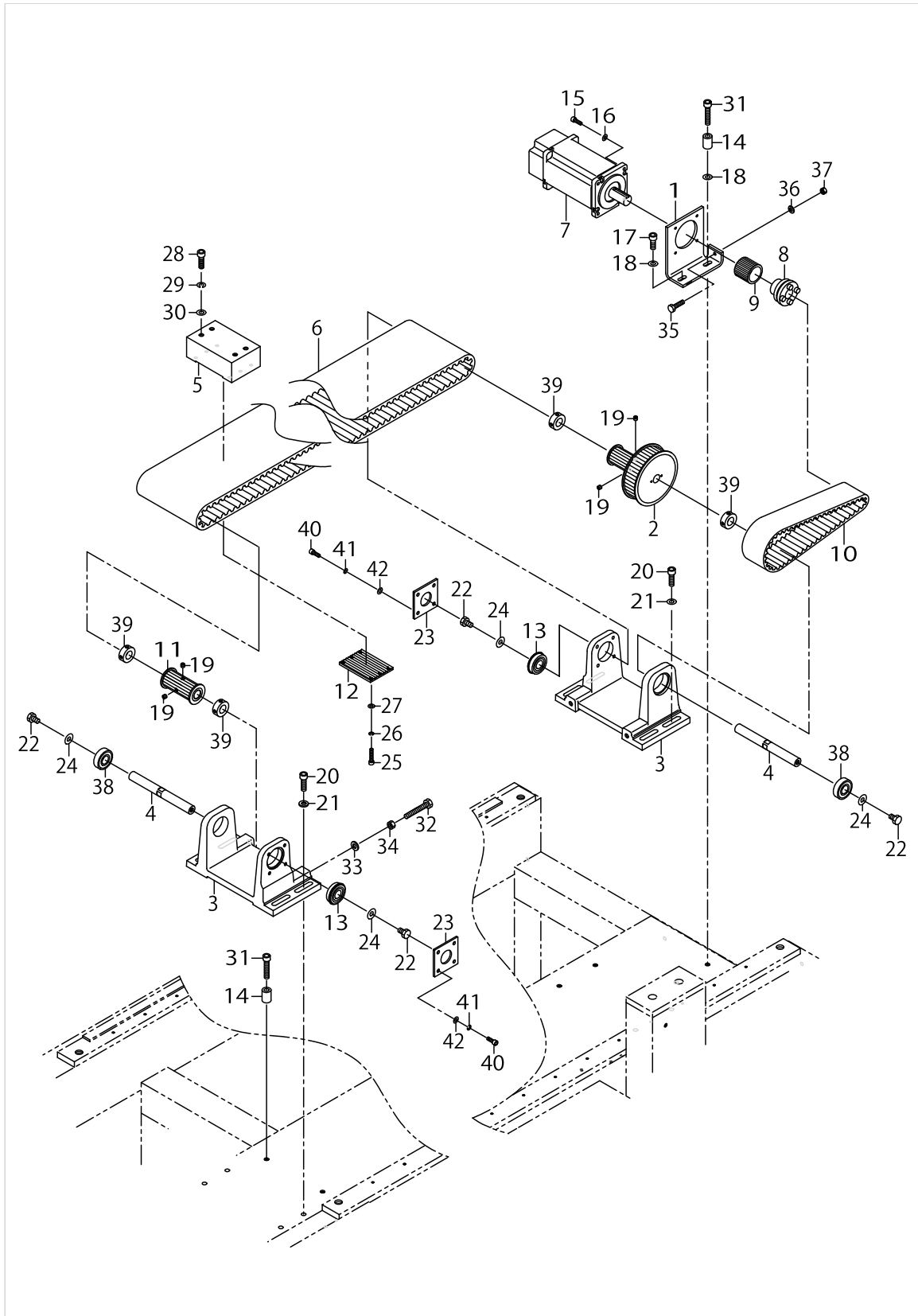
LUBRICATION COMPONENTS (2)



LUBRICATION COMPONENTS (2)

| No. | Supply Code | Parts No.   | Replacement | Parts name                          | Remarks | Choice | Step | Level | Cons | Qty | Rep. QTY |
|-----|-------------|-------------|-------------|-------------------------------------|---------|--------|------|-------|------|-----|----------|
| 1   |             | BT0500300EG |             | OIL TUBE                            |         |        |      |       |      | .09 |          |
| 2   |             | G3515870000 |             | HOOK OILING MANIFOLD                |         |        |      |       |      | 1   |          |
| 3   |             | 22925002    |             | OIL REGULATOR SCREW                 |         |        |      |       |      | 1   |          |
| 4   |             | 22924906    |             | OIL REGULATOR SCREW SPRING          |         |        |      |       |      | 1   |          |
| 5   |             | G3514870000 |             | STUD                                |         |        |      |       |      | 2   |          |
| 6   | D           | G3513870000 |             | BYLANE FITTING PLATE                |         |        |      |       |      | 1   |          |
| 7   |             | G3528875000 |             | STOPPER RUBBER A                    |         |        |      |       |      | 1   |          |
| 8   |             | G3529875000 |             | STOPPER RUBBER B                    |         |        |      |       |      | 1   |          |
| 9   |             | SS6110610TP |             | SCREW 11/64-40 L=6                  |         |        |      |       |      | 2   |          |
| 10  |             | PJ046054002 |             | HOSE ELBOW                          |         |        |      |       |      | 1   |          |
| 11  |             | SQ1110401MZ |             | CONNECTING SCREW                    |         |        |      |       |      | 1   |          |
| 12  |             | G3526870000 |             | OIL SUPPLY PLATE, A                 |         |        |      |       |      | 1   |          |
| 13  |             | G3527870000 |             | OIL SUPPLY PLATE, B                 |         |        |      |       |      | 1   |          |
| 14  |             | G3528870000 |             | PLUG, A                             |         |        |      |       |      | 1   |          |
| 15  |             | G3529870000 |             | PLUG, B                             |         |        |      |       |      | 1   |          |
| 16  |             | G3520870000 |             | OILING HOUSING FIXING PLATE         |         |        |      |       |      | 1   |          |
| 17  |             | SS7120710SP |             | SCREW 3/16-28 L=7                   |         |        |      |       |      | 2   |          |
| 18  |             | G3518870000 |             | LOWER SHAFT BAF-<br>FLE HOLDING PLA |         |        |      |       |      | 1   |          |
| 19  |             | SS7110510SP |             | SCREW 11/64-40 L=5                  |         |        |      |       |      | 2   |          |
| 20  |             | G3519870000 |             | LOWER SHAFT BAFFLE                  |         |        |      |       |      | 1   |          |
| 21  |             | PJ032052503 |             | HOSE NIPPLE                         |         |        |      |       |      | 7   |          |
| 22  |             | PJ020500001 |             | PLUG                                |         |        |      |       |      | 5   |          |

X-Y COMPONENTS (1)

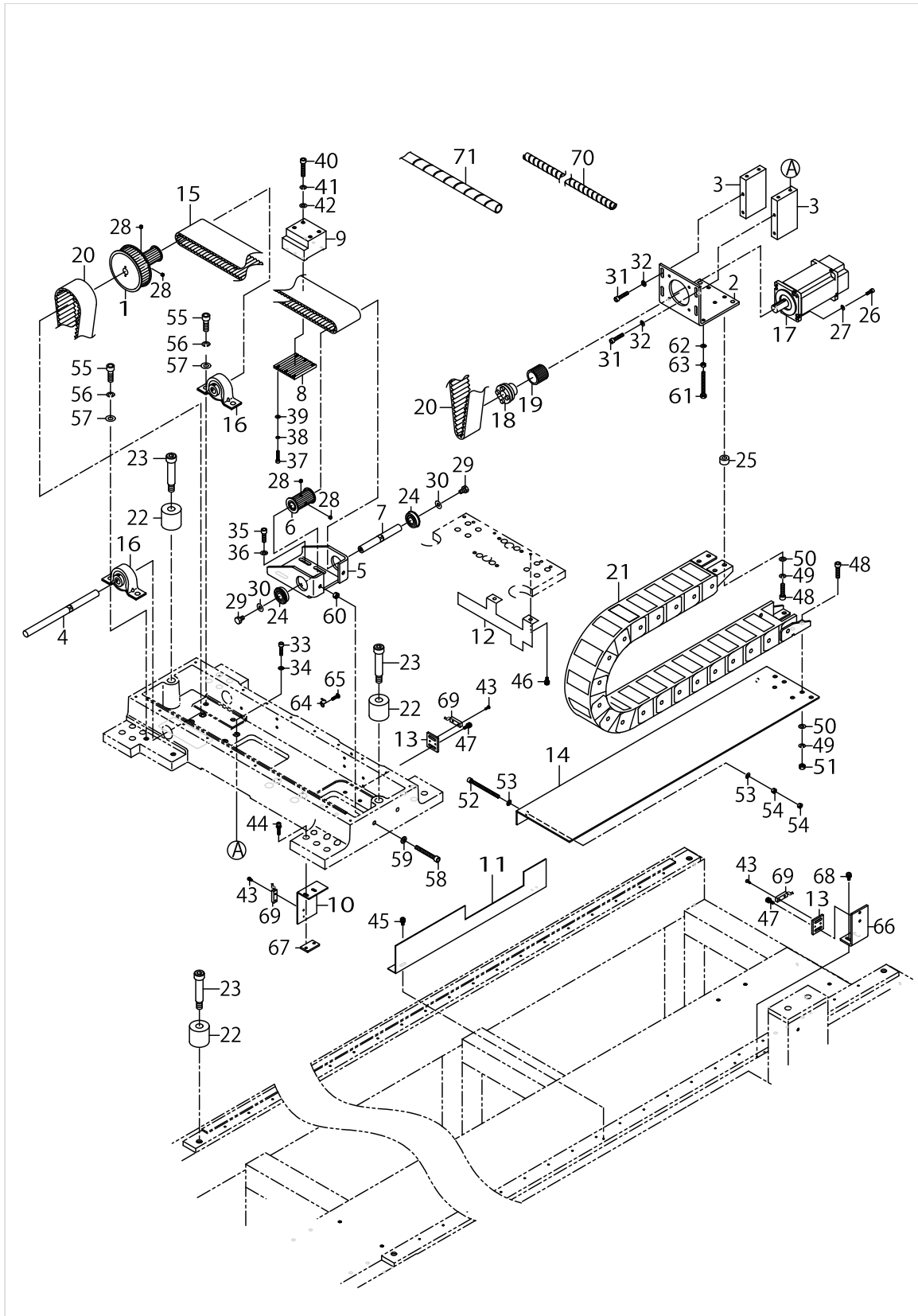


X-Y COMPONENTS (1)

| No. | Supply Code | Parts No.   | Replacement | Parts name                  | Remarks | Choice | Step | Level | Cons | Qty | Rep. QTY |
|-----|-------------|-------------|-------------|-----------------------------|---------|--------|------|-------|------|-----|----------|
| 1   |             | G5001875000 |             | X MOTOR BRACKET             |         |        |      |       |      | 1   |          |
| 2   |             | G5002875000 |             | DRIVING PULLEY              |         |        |      |       |      | 1   |          |
| 3   |             | G5003875000 |             | X PULLEY BRACKET            |         |        |      |       |      | 2   |          |
| 4   |             | G5004875000 |             | X PULLEY SHAFT              |         |        |      |       |      | 2   |          |
| 5   |             | G5005875000 |             | X BELT PRESSER SPACER       |         |        |      |       |      | 1   |          |
| 6   |             | G5019875000 |             | X TIMING BELT               |         |        |      |       |      | 1   |          |
| 7   |             | HM002120000 |             | SERVO MOTOR                 |         |        |      |       |      | 1   |          |
| 8   |             | E2306715000 |             | ETP BUSH                    |         |        |      |       |      | 1   |          |
| 9   |             | E2409715000 |             | PULLEY M                    |         |        |      |       |      | 1   |          |
| 10  |             | E2314715000 |             | TIMING BELT YA              |         |        |      |       |      | 1   |          |
| 11  |             | E2316715000 |             | PULLEY YB                   |         |        |      |       |      | 1   |          |
| 12  | R           | E2346700000 | E2321715000 | Y BELT STAY (2)             |         |        |      |       |      | 1   | 1.00     |
| 13  |             | SB112000700 |             | BEARING                     |         |        |      |       |      | 2   |          |
| 14  |             | GAC01002A00 |             | COLLAR                      |         |        |      |       |      | 3   |          |
| 15  |             | SM6041202TN |             | SCREW M4X0.7 L=12           |         |        |      |       |      | 4   |          |
| 16  |             | WP0430801SC |             | WASHER 4.3X9X0.8            |         |        |      |       |      | 4   |          |
| 17  |             | SM6061602TN |             | SCREW M6 L=16               |         |        |      |       |      | 1   |          |
| 18  |             | WP0611626SP |             | WASHER 15X6X1.6             |         |        |      |       |      | 2   |          |
| 19  |             | SM8050412TP |             | SCREW M5 L=4                |         |        |      |       |      | 4   |          |
| 20  |             | SM6062002TN |             | SCREW M6 L=20               |         |        |      |       |      | 8   |          |
| 21  |             | WP0641601SC |             | WASHER                      |         |        |      |       |      | 8   |          |
| 22  |             | SM9061003CP |             | SCREW M6 L=10               |         |        |      |       |      | 4   |          |
| 23  |             | G5023875000 |             | X BEARING PRESSER PLATE     |         |        |      |       |      | 2   |          |
| 24  |             | WP0611626SP |             | WASHER 15X6X1.6             |         |        |      |       |      | 4   |          |
| 25  |             | SM6041402TN |             | SCREW M4X0.7 L=14           |         |        |      |       |      | 6   |          |
| 26  |             | WS0410002KN |             | SPRING WASHER               |         |        |      |       |      | 6   |          |
| 27  |             | WP0430801SC |             | WASHER 4.3X9X0.8            |         |        |      |       |      | 6   |          |
| 28  |             | SM6062002TN |             | SCREW M6 L=20               |         |        |      |       |      | 4   |          |
| 29  |             | WS0610002KN |             | SPRING WASHER 6.1X12.2X1.5  |         |        |      |       |      | 4   |          |
| 30  |             | WP0641601SC |             | WASHER                      |         |        |      |       |      | 4   |          |
| 31  |             | SM6063002TN |             | SCREW M6 L=30               |         |        |      |       |      | 3   |          |
| 32  |             | SM9064053SE |             | BOLT                        |         |        |      |       |      | 2   |          |
| 33  |             | WP0641601SC |             | WASHER                      |         |        |      |       |      | 2   |          |
| 34  |             | NM6060001SC |             | NUT M6                      |         |        |      |       |      | 2   |          |
| 35  |             | SM9052003SC |             | SCREW M5 L=20               |         |        |      |       |      | 1   |          |
| 36  |             | WP0531001SC |             | WASHER                      |         |        |      |       |      | 1   |          |
| 37  |             | NM6050001SC |             | NUT M5                      |         |        |      |       |      | 1   |          |
| 38  |             | SB112000200 |             | BEARING                     |         |        |      |       |      | 2   |          |
| 39  |             | CS120081ATN |             | THRUST COLLAR ASM. D=12 W=8 |         |        |      |       |      | 4   |          |
| 40  |             | SM6041202TN |             | SCREW M4X0.7 L=12           |         |        |      |       |      | 8   |          |
| 41  |             | WS0410002KN |             | SPRING WASHER               |         |        |      |       |      | 8   |          |
| 42  |             | WP0430801SC |             | WASHER 4.3X9X0.8            |         |        |      |       |      | 8   |          |



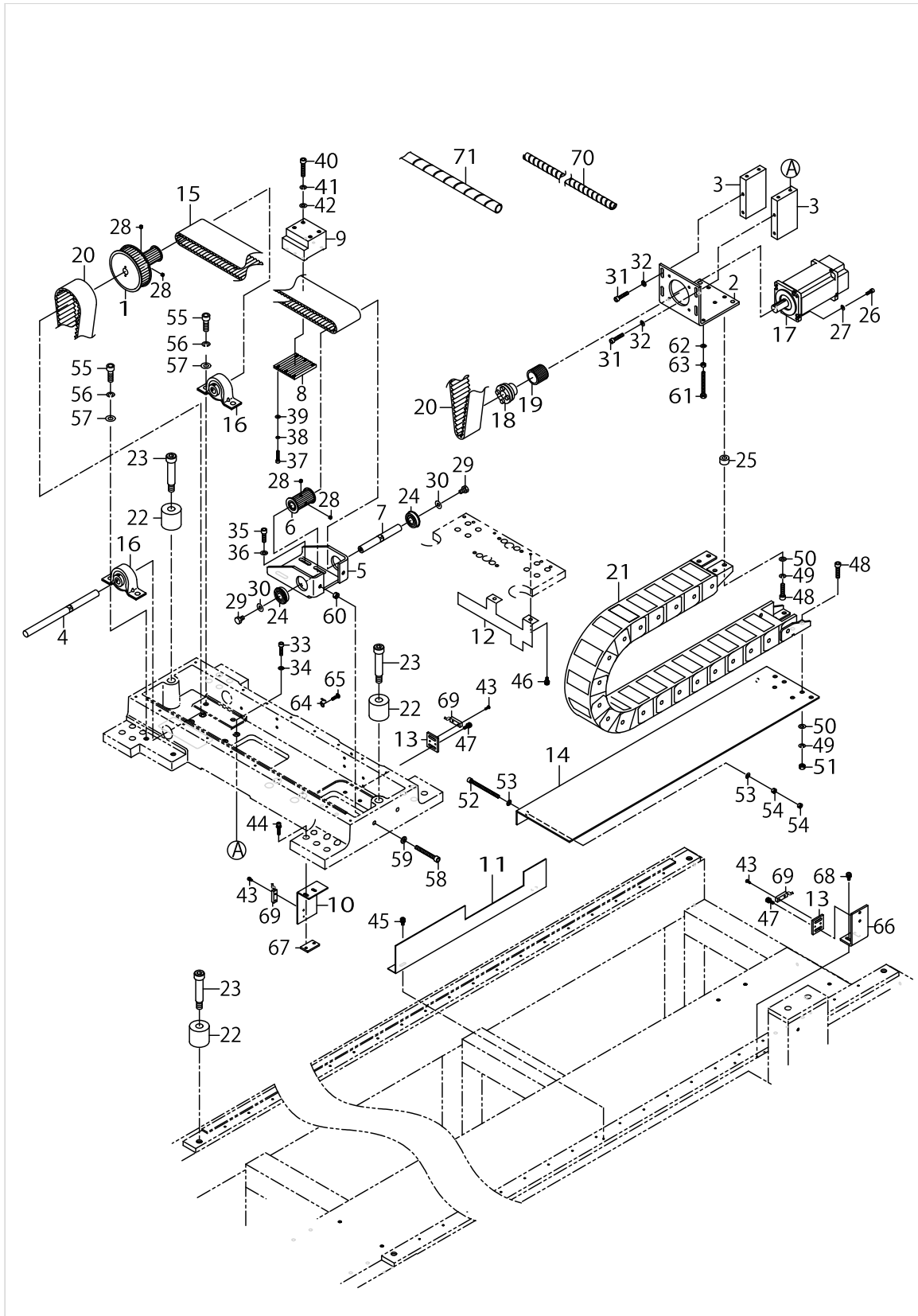
X-Y COMPONENTS (2)



X-Y COMPONENTS (2)

| No. | Supply Code | Parts No.    | Replacement | Parts name                 | Remarks | Choice | Step | Level | Cons | Qty | Rep. QTY |
|-----|-------------|--------------|-------------|----------------------------|---------|--------|------|-------|------|-----|----------|
| 1   |             | G5002875000  |             | DRIVING PULLEY             |         |        |      |       |      | 1   |          |
| 2   |             | G5006875000  |             | Y MOTOR BRACKET            |         |        |      |       |      | 1   |          |
| 3   |             | G5007875000  |             | Y MOTOR BRACKET STAY       |         |        |      |       |      | 2   |          |
| 4   |             | G5008875000  |             | Y DRIVING PULLEY SHAFT     |         |        |      |       |      | 1   |          |
| 5   |             | G5009875000  |             | Y PULLEY BRACKET           |         |        |      |       |      | 1   |          |
| 6   |             | G5010875000  |             | Y IDLER PULLEY             |         |        |      |       |      | 1   |          |
| 7   |             | G5011875000  |             | Y IDLER PULLEY SHAFT       |         |        |      |       |      | 1   |          |
| 8   |             | G5012875000  |             | Y BELT PRESSER             |         |        |      |       |      | 1   |          |
| 9   |             | G5013875000  |             | Y BELT PRESSER SPACER      |         |        |      |       |      | 1   |          |
| 10  |             | G5014875000A |             | X SENSOR SLIT              |         |        |      |       |      | 1   |          |
| 11  |             | G5015875000  |             | XG SENSOR SLIT             |         |        |      |       |      | 1   |          |
| 12  |             | G5016875000  |             | Y SENSOR SLIT              |         |        |      |       |      | 1   |          |
| 13  |             | G5017875000  |             | SENSOR FITTING PLATE       |         |        |      |       |      | 6   |          |
| 14  |             | G5018875000  |             | CABLE BEAR STAY            |         |        |      |       |      | 1   |          |
| 15  |             | G5020875000  |             | Y TIMING BELT              |         |        |      |       |      | 1   |          |
| 16  |             | G5021875000  |             | Y PILLOW BLOCK             |         |        |      |       |      | 2   |          |
| 17  |             | HM002120000  |             | SERVO MOTOR                |         |        |      |       |      | 1   |          |
| 18  |             | E2306715000  |             | ETP BUSH                   |         |        |      |       |      | 1   |          |
| 19  |             | E2409715000  |             | PULLEY M                   |         |        |      |       |      | 1   |          |
| 20  |             | E2314715000  |             | TIMING BELT YA             |         |        |      |       |      | 1   |          |
| 21  |             | E2429715000  |             | X SHAFT CABLE BEARER ASM.  |         |        |      |       |      | 1   |          |
| 22  | D           | E2321721000  |             | STOPPER RUBBER             |         |        |      |       |      | 6   |          |
| 23  | D           | E2368700000  |             | CONVEYOR BODY STOPPER      |         |        |      |       |      | 6   |          |
| 24  |             | SB112000700  |             | BEARING                    |         |        |      |       |      | 2   |          |
| 25  |             | B1505205000  |             | SPACER                     |         |        |      |       |      | 4   |          |
| 26  |             | SM6041202TN  |             | SCREW M4X0.7 L=12          |         |        |      |       |      | 4   |          |
| 27  |             | WP0430801SC  |             | WASHER 4.3X9X0.8           |         |        |      |       |      | 4   |          |
| 28  |             | SM8050412TP  |             | SCREW M5 L=4               |         |        |      |       |      | 4   |          |
| 29  |             | SM9061003CP  |             | SCREW M6 L=10              |         |        |      |       |      | 2   |          |
| 30  |             | WP0611626SP  |             | WASHER 15X6X1.6            |         |        |      |       |      | 2   |          |
| 31  |             | SM6052002TN  |             | BOLT                       |         |        |      |       |      | 4   |          |
| 32  |             | WP0531001SC  |             | WASHER                     |         |        |      |       |      | 4   |          |
| 33  |             | SM6052502TN  |             | HEXAGONAL-HOLE BOLT        |         |        |      |       |      | 4   |          |
| 34  |             | WP0531001SC  |             | WASHER                     |         |        |      |       |      | 4   |          |
| 35  |             | SM6062002TN  |             | SCREW M6 L=20              |         |        |      |       |      | 4   |          |
| 36  |             | WP0641601SC  |             | WASHER                     |         |        |      |       |      | 4   |          |
| 37  |             | SM6041402TN  |             | SCREW M4X0.7 L=14          |         |        |      |       |      | 6   |          |
| 38  |             | WS0410002KN  |             | SPRING WASHER              |         |        |      |       |      | 6   |          |
| 39  |             | WP0430801SC  |             | WASHER 4.3X9X0.8           |         |        |      |       |      | 6   |          |
| 40  |             | SM6063002TN  |             | SCREW M6 L=30              |         |        |      |       |      | 4   |          |
| 41  |             | WS0610002KN  |             | SPRING WASHER 6.1X12.2X1.5 |         |        |      |       |      | 4   |          |
| 42  |             | WP0641601SC  |             | WASHER                     |         |        |      |       |      | 4   |          |
| 43  |             | SM6850600SP  |             | SCREW                      |         |        |      |       |      | 7   |          |
| 44  |             | SL6042092TN  |             | SCREW M4 L=20              |         |        |      |       |      | 2   |          |
| 45  |             | SL4041291SC  |             | SCREW M4 L=12              |         |        |      |       |      | 2   |          |
| 46  |             | SL4041291SC  |             | SCREW M4 L=12              |         |        |      |       |      | 2   |          |

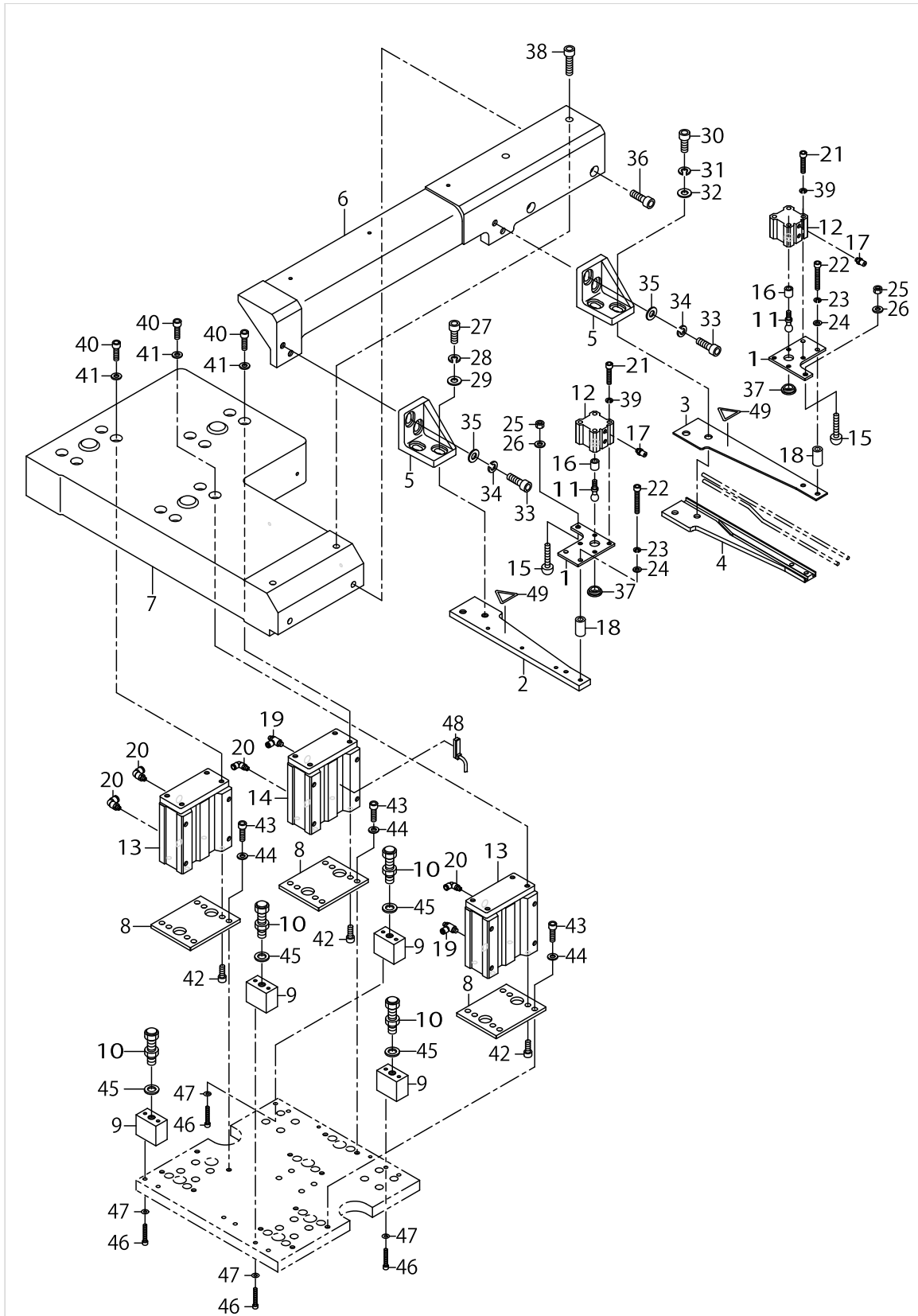
X-Y COMPONENTS (2)



X-Y COMPONENTS (2)

| No. | Supply Code | Parts No.   | Replacement | Parts name                 | Remarks | Choice | Step | Level | Cons | Qty | Rep. QTY |
|-----|-------------|-------------|-------------|----------------------------|---------|--------|------|-------|------|-----|----------|
| 47  |             | SL4041291SC |             | SCREW M4 L=12              |         |        |      |       |      | 12  |          |
| 48  |             | SM6062502TN |             | HEXAGONAL-HOLE BOLT        |         |        |      |       |      | 8   |          |
| 49  |             | WS0610002KN |             | SPRING WASHER 6.1X12.2X1.5 |         |        |      |       |      | 8   |          |
| 50  |             | WP0641601SC |             | WASHER                     |         |        |      |       |      | 8   |          |
| 51  |             | NM6060001SC |             | NUT M6                     |         |        |      |       |      | 4   |          |
| 52  |             | SM6057052TN |             | HEXAGONAL-HOLE BOLT        |         |        |      |       |      | 2   |          |
| 53  |             | WP0531001SC |             | WASHER                     |         |        |      |       |      | 4   |          |
| 54  |             | NM6050001SC |             | NUT M5                     |         |        |      |       |      | 4   |          |
| 55  |             | SM6082502TN |             | BOLT                       |         |        |      |       |      | 4   |          |
| 56  |             | WS0820002KN |             | SPRING WASHER M8           |         |        |      |       |      | 4   |          |
| 57  |             | WP0841601SC |             | WASHER 8.4X17.4X1.6        |         |        |      |       |      | 4   |          |
| 58  |             | SM6065002TP |             | SCREW M6 L=50              |         |        |      |       |      | 2   |          |
| 59  |             | WP0641601SC |             | WASHER                     |         |        |      |       |      | 2   |          |
| 60  |             | NM6060001SC |             | NUT M6                     |         |        |      |       |      | 2   |          |
| 61  |             | SM9055053SB |             | SCREW                      |         |        |      |       |      | 2   |          |
| 62  |             | WP0531001SC |             | WASHER                     |         |        |      |       |      | 2   |          |
| 63  |             | NM6050001SC |             | NUT M5                     |         |        |      |       |      | 2   |          |
| 64  |             | G6508010000 |             | CORD PRESSER               |         |        |      |       |      | 2   |          |
| 65  |             | SL4041491SC |             | SCREW 4 X 14               |         |        |      |       |      | 2   |          |
| 66  |             | G5024875000 |             | X SENSOR FITTING BASE      |         |        |      |       |      | 1   |          |
| 67  |             | G5025875000 |             | X SENSOR SLIT FIXING PLATE |         |        |      |       |      | 1   |          |
| 68  |             | SL4041291SC |             | SCREW M4 L=12              |         |        |      |       |      | 4   |          |
| 69  |             | KD000000150 |             | SENSOR                     |         |        |      |       |      | 7   |          |
| 70  |             | G5454161000 |             | SPIRAL TUBE                |         |        |      |       |      | 2.6 |          |
| 71  |             | E1022760000 |             | SPIRAL TUBE                |         |        |      |       |      | 1.1 |          |

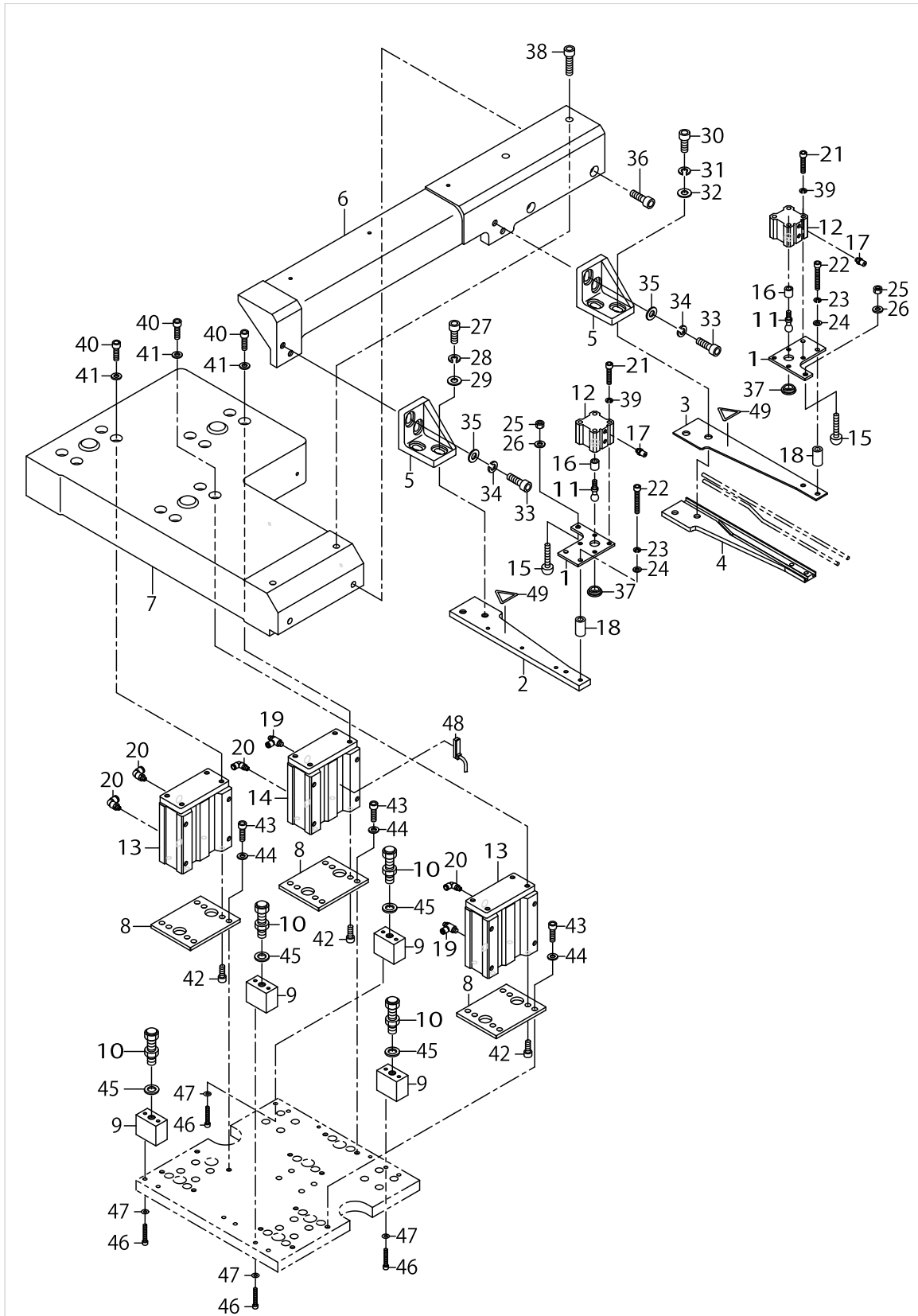
# CLOTH PRESSER COMPONENTS



CLOTH PRESSER COMPONENTS

| No. | Supply Code | Parts No.   | Replacement | Parts name                          | Remarks | Choice | Step | Level | Cons | Qty | Rep. QTY |
|-----|-------------|-------------|-------------|-------------------------------------|---------|--------|------|-------|------|-----|----------|
| 1   |             | G5501875000 |             | FITTING PLATE                       |         |        |      |       |      | 2   |          |
| 2   |             | G5502875000 |             | CLOTH PRESSER ARM ,LEFT             |         |        |      |       |      | 1   |          |
| 3   |             | G5503875000 |             | CLOTH PRESSER A-<br>RM ,RIGHT UPPER |         |        |      |       |      | 1   |          |
| 4   |             | G5504875000 |             | CLOTH PRESSER A-<br>RM ,RIGHT LOWER |         |        |      |       |      | 1   |          |
| 5   |             | G5505875000 |             | CLOTH PRESSER A-<br>RM FIXING BASE  |         |        |      |       |      | 2   |          |
| 6   |             | G5506875000 |             | SWING ARM                           |         |        |      |       |      | 1   |          |
| 7   |             | G5507875000 |             | Z MOVING BASE                       |         |        |      |       |      | 1   |          |
| 8   |             | G5508875000 |             | Z CYLINDER FITTING PLATE            |         |        |      |       |      | 3   |          |
| 9   |             | G5509875000 |             | Z STOPPER STAY                      |         |        |      |       |      | 4   |          |
| 10  |             | G5510875000 |             | Z STOPPER                           |         |        |      |       |      | 4   |          |
| 11  |             | G5511875000 |             | BALL                                |         |        |      |       |      | 2   |          |
| 12  |             | PA2001004A0 |             | AIR CYLINDER                        |         |        |      |       |      | 2   |          |
| 13  |             | PA250500300 |             | AIR CYLINDER                        |         |        |      |       |      | 2   |          |
| 14  |             | PA2505003A0 |             | AIR CYLINDER                        |         |        |      |       |      | 1   |          |
| 15  |             | GAK01003B00 |             | PRESSER LIFTER STOPPER B            |         |        |      |       |      | 2   |          |
| 16  |             | 11528809    |             | WASHER                              |         |        |      |       |      | 2   |          |
| 17  |             | PJ032052503 |             | HOSE NIPPLE                         |         |        |      |       |      | 4   |          |
| 18  | D           | D2419530D00 |             | MAGNET ARM BUSHING                  |         |        |      |       |      | 4   |          |
| 19  |             | PC015106000 |             | SPEED CONTROLLER                    |         |        |      |       |      | 2   |          |
| 20  |             | PJ304065101 |             | ELBOW UNION 6XPT1/8                 |         |        |      |       |      | 4   |          |
| 21  |             | SM6053002TN |             | SCREW M5X0.8 L=30                   |         |        |      |       |      | 8   |          |
| 22  |             | SM6053502TN |             | HEXAGONAL-HOLE BOLT M5 L=35         |         |        |      |       |      | 4   |          |
| 23  |             | WS0510002KN |             | SPRING WASHER                       |         |        |      |       |      | 8   |          |
| 24  |             | WP0531001SC |             | WASHER                              |         |        |      |       |      | 4   |          |
| 25  |             | NM6060001SC |             | NUT M6                              |         |        |      |       |      | 2   |          |
| 26  |             | WP0641601SC |             | WASHER                              |         |        |      |       |      | 2   |          |
| 27  |             | SM6082002TN |             | SCREW M8 L=20                       |         |        |      |       |      | 2   |          |
| 28  |             | WS0820002KN |             | SPRING WASHER M8                    |         |        |      |       |      | 2   |          |
| 29  |             | WP0841600SC |             | WASHER                              |         |        |      |       |      | 2   |          |
| 30  |             | SM6082002TN |             | SCREW M8 L=20                       |         |        |      |       |      | 2   |          |
| 31  |             | WS0820002KN |             | SPRING WASHER M8                    |         |        |      |       |      | 2   |          |
| 32  |             | WP0841600SC |             | WASHER                              |         |        |      |       |      | 2   |          |
| 33  |             | SM6082002TN |             | SCREW M8 L=20                       |         |        |      |       |      | 4   |          |
| 34  |             | WS0820002KN |             | SPRING WASHER M8                    |         |        |      |       |      | 4   |          |
| 35  |             | WP0841600SC |             | WASHER                              |         |        |      |       |      | 4   |          |
| 36  |             | SM6082002TN |             | SCREW M8 L=20                       |         |        |      |       |      | 2   |          |
| 37  |             | GLA02302000 |             | FULCRUM BUSHING                     |         |        |      |       |      | 2   |          |
| 38  |             | SM6083002TN |             | SCREW M8 L=30                       |         |        |      |       |      | 2   |          |
| 39  |             | WS0510002KN |             | SPRING WASHER                       |         |        |      |       |      | 8   |          |
| 40  |             | SM6062002TN |             | SCREW M6 L=20                       |         |        |      |       |      | 12  |          |
| 41  |             | WP0641601SC |             | WASHER                              |         |        |      |       |      | 12  |          |
| 42  |             | SM6061602TN |             | SCREW M6 L=16                       |         |        |      |       |      | 12  |          |
| 43  |             | SM6062002TN |             | SCREW M6 L=20                       |         |        |      |       |      | 12  |          |
| 44  |             | WP0641601SC |             | WASHER                              |         |        |      |       |      | 12  |          |
| 45  |             | WP1052000SC |             | WASHER 10.5X18X2                    |         |        |      |       |      | 4   |          |

# CLOTH PRESSER COMPONENTS

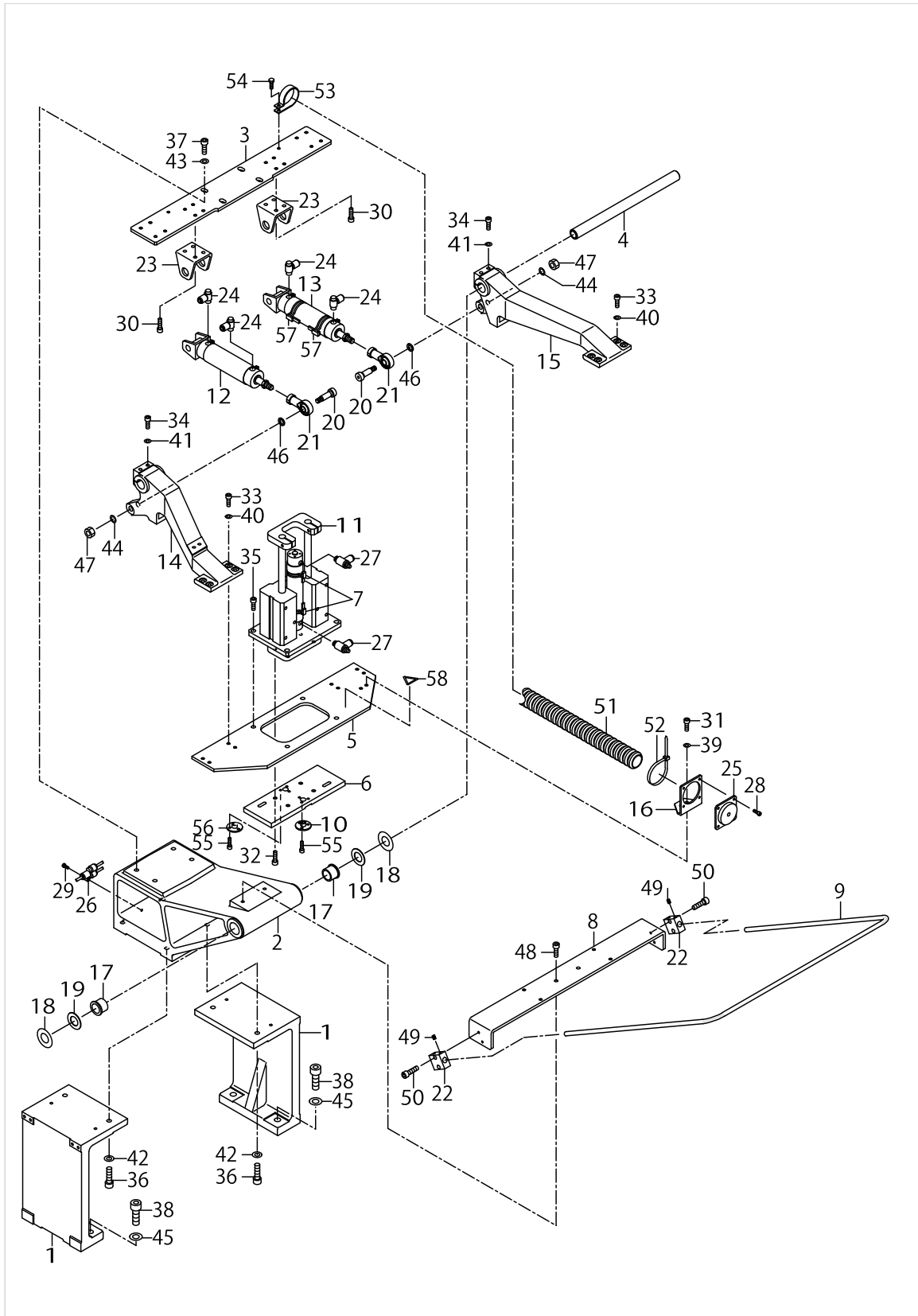


CLOTH PRESSER COMPONENTS

| No. | Supply Code | Parts No.   | Replacement | Parts name        | Remarks                               | Choice | Step | Level | Cons | Qty | Rep. QTY |
|-----|-------------|-------------|-------------|-------------------|---------------------------------------|--------|------|-------|------|-----|----------|
| 46  |             | SM6042502TN |             | SCREW M4X0.7 L=25 |                                       |        |      |       |      | 8   |          |
| 47  |             | WP0430801SC |             | WASHER 4.3X9X0.8  |                                       |        |      |       |      | 8   |          |
| 48  |             | PX060039000 |             | AUTO-SWITCH       | PARTS NO. OF AIR CYLINDER ACCESSORIES |        |      |       |      | 2   |          |
| 49  |             | CM300200003 |             | ATTENTION LABEL   |                                       |        |      |       |      | 2   |          |



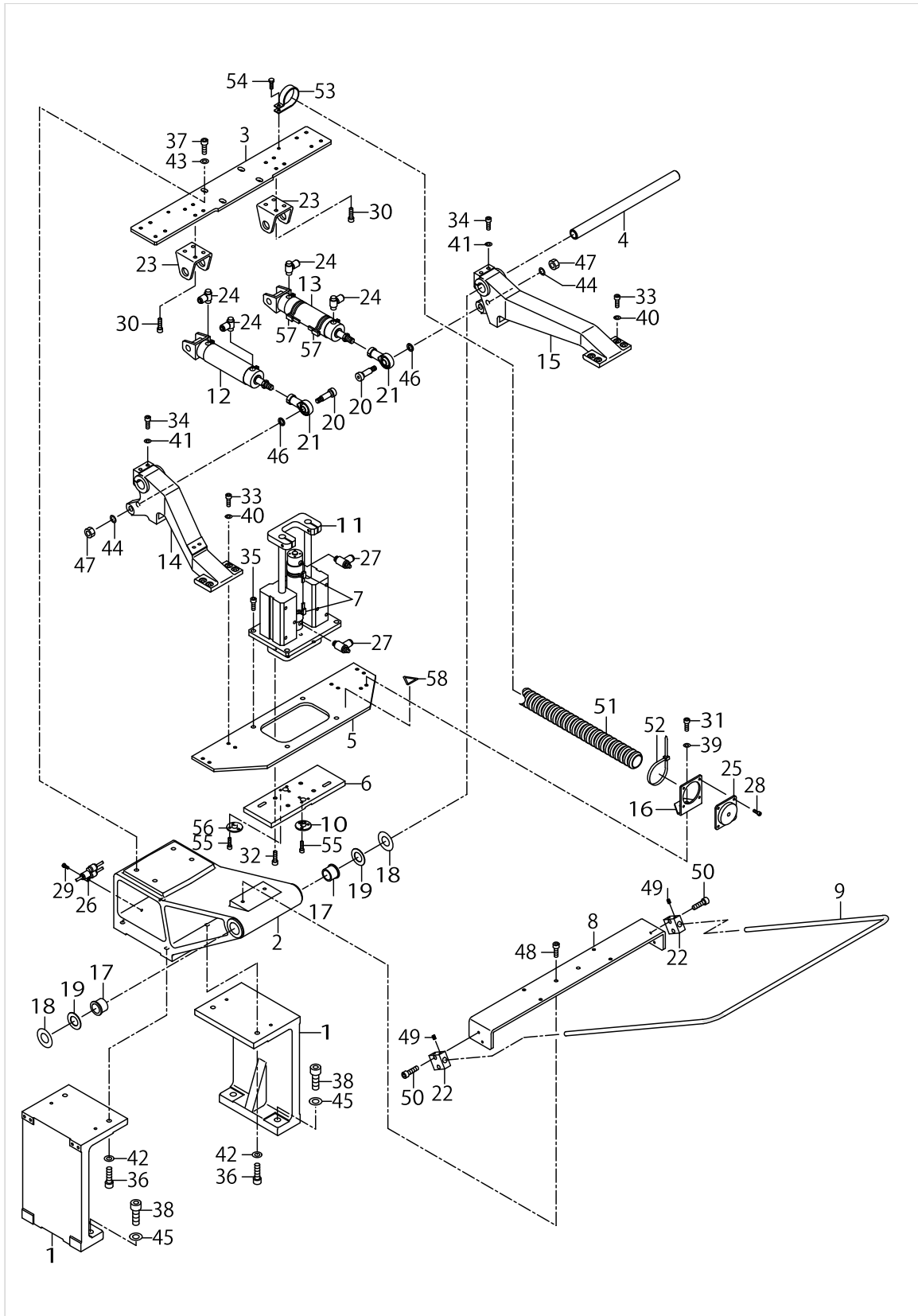
CREASE MECHANISM COMPONENTS



CREASE MECHANISM COMPONENTS

| No. | Supply Code | Parts No.   | Replacement | Parts name                     | Remarks                               | Choice | Step | Level | Cons | Qty | Rep. QTY |
|-----|-------------|-------------|-------------|--------------------------------|---------------------------------------|--------|------|-------|------|-----|----------|
| 1   |             | G6001875000 |             | INDICATION BASE                |                                       |        |      |       |      | 2   |          |
| 2   |             | G6002875000 |             | FOLDING BASE                   |                                       |        |      |       |      | 1   |          |
| 3   |             | G6003875000 |             | FOLDING CYLINDER FITTING PLATE |                                       |        |      |       |      | 1   |          |
| 4   |             | G6004875000 |             | FOLDING BASE SHAFT             |                                       |        |      |       |      | 1   |          |
| 5   |             | G6005875000 |             | FITTING PLATE                  |                                       |        |      |       |      | 1   |          |
| 6   |             | G6006875000 |             | FOLDING UNIT FITTING PLATE     |                                       |        |      |       |      | 1   |          |
| 7   |             | PX060029000 |             | AUTO-SWITCH                    | PARTS NO. OF AIR CYLINDER ACCESSORIES |        |      |       |      | 2   |          |
| 8   |             | G6008875000 |             | FITTING PLATE                  |                                       |        |      |       |      | 1   |          |
| 9   |             | G6009875000 |             | FOLDING UNIT GUARD PIPE        |                                       |        |      |       |      | 1   |          |
| 10  |             | G6028875000 |             | GAUGE PIN HOLDER               |                                       |        |      |       |      | 1   |          |
| 11  |             | PA2512502A0 |             | AIR CYLINDER                   |                                       |        |      |       |      | 1   |          |
| 12  |             | PA3207504A0 |             | AIR CYLINDER                   |                                       |        |      |       |      | 1   |          |
| 13  |             | PA3207504B0 |             | AIR CYLINDER                   |                                       |        |      |       |      | 1   |          |
| 14  |             | G6007870000 |             | FOLDING ARM, LEFT              |                                       |        |      |       |      | 1   |          |
| 15  |             | G6008870000 |             | FOLDING ARM, RIGHT             |                                       |        |      |       |      | 1   |          |
| 16  |             | G6010870000 |             | CONNECTOR FITTING PLATE        |                                       |        |      |       |      | 1   |          |
| 17  |             | G6023870000 |             | SUPPORT BASE SHAFT METAL       |                                       |        |      |       |      | 2   |          |
| 18  |             | G6040870000 |             | SHIM                           |                                       |        |      |       |      | 2   |          |
| 19  |             | G6028870000 |             | FOLDING BASE SHAFT STARTING CI |                                       |        |      |       |      | 2   |          |
| 20  |             | G6029870000 |             | ROD END SHAFT                  |                                       |        |      |       |      | 2   |          |
| 21  |             | G6030870000 |             | ROD END                        |                                       |        |      |       |      | 2   |          |
| 22  |             | MAT80230T00 |             | KNEE SWITCH SUPPORT BASE       |                                       |        |      |       |      | 2   |          |
| 23  |             | PA900051000 |             | ROCKER HOLDER                  |                                       |        |      |       |      | 2   |          |
| 24  |             | PJ304065103 |             | SWIVEL ELBOW                   |                                       |        |      |       |      | 4   |          |
| 25  |             | PJ401000300 |             | MULTI-CONNECTOR (SOCKET SIDE)  |                                       |        |      |       |      | 1   |          |
| 26  |             | PJ308060003 |             | Y UNION                        |                                       |        |      |       |      | 4   |          |
| 27  |             | PC015106000 |             | SPEED CONTROLLER               |                                       |        |      |       |      | 2   |          |
| 28  |             | SM4040801SN |             | SCREW M4 L=8                   |                                       |        |      |       |      | 4   |          |
| 29  |             | SL4044091SE |             | SCREW M4 L=40                  |                                       |        |      |       |      | 1   |          |
| 30  |             | SM6061002TP |             | SCREW M6 L=10                  |                                       |        |      |       |      | 8   |          |
| 31  |             | SM6061202TN |             | BOLT                           |                                       |        |      |       |      | 2   |          |
| 32  |             | SM6061402TN |             | BOLT                           |                                       |        |      |       |      | 4   |          |
| 33  |             | SM6062002TN |             | SCREW M6 L=20                  |                                       |        |      |       |      | 8   |          |
| 34  | R           | SM6063502TN | SM6063502TP | HEXAGONAL-HOLE BOLT M6 L=35    |                                       |        |      |       |      | 4   | 1.00     |
| 35  |             | SM6082002TN |             | SCREW M8 L=20                  |                                       |        |      |       |      | 4   |          |
| 36  |             | SM6083002TN |             | SCREW M8 L=30                  |                                       |        |      |       |      | 4   |          |
| 37  |             | SM6082502TN |             | BOLT                           |                                       |        |      |       |      | 4   |          |
| 38  |             | SM6103502TP |             | SCREW M10 L=35                 |                                       |        |      |       |      | 4   |          |
| 39  |             | WP0641601SC |             | WASHER                         |                                       |        |      |       |      | 2   |          |
| 40  |             | WP0641601SC |             | WASHER                         |                                       |        |      |       |      | 8   |          |
| 41  |             | WP0641601SC |             | WASHER                         |                                       |        |      |       |      | 4   |          |
| 42  |             | WP0841601SC |             | WASHER 8.4X17.4X1.6            |                                       |        |      |       |      | 4   |          |
| 43  |             | WP0841601SC |             | WASHER 8.4X17.4X1.6            |                                       |        |      |       |      | 4   |          |
| 44  |             | WP0841601SC |             | WASHER 8.4X17.4X1.6            |                                       |        |      |       |      | 2   |          |

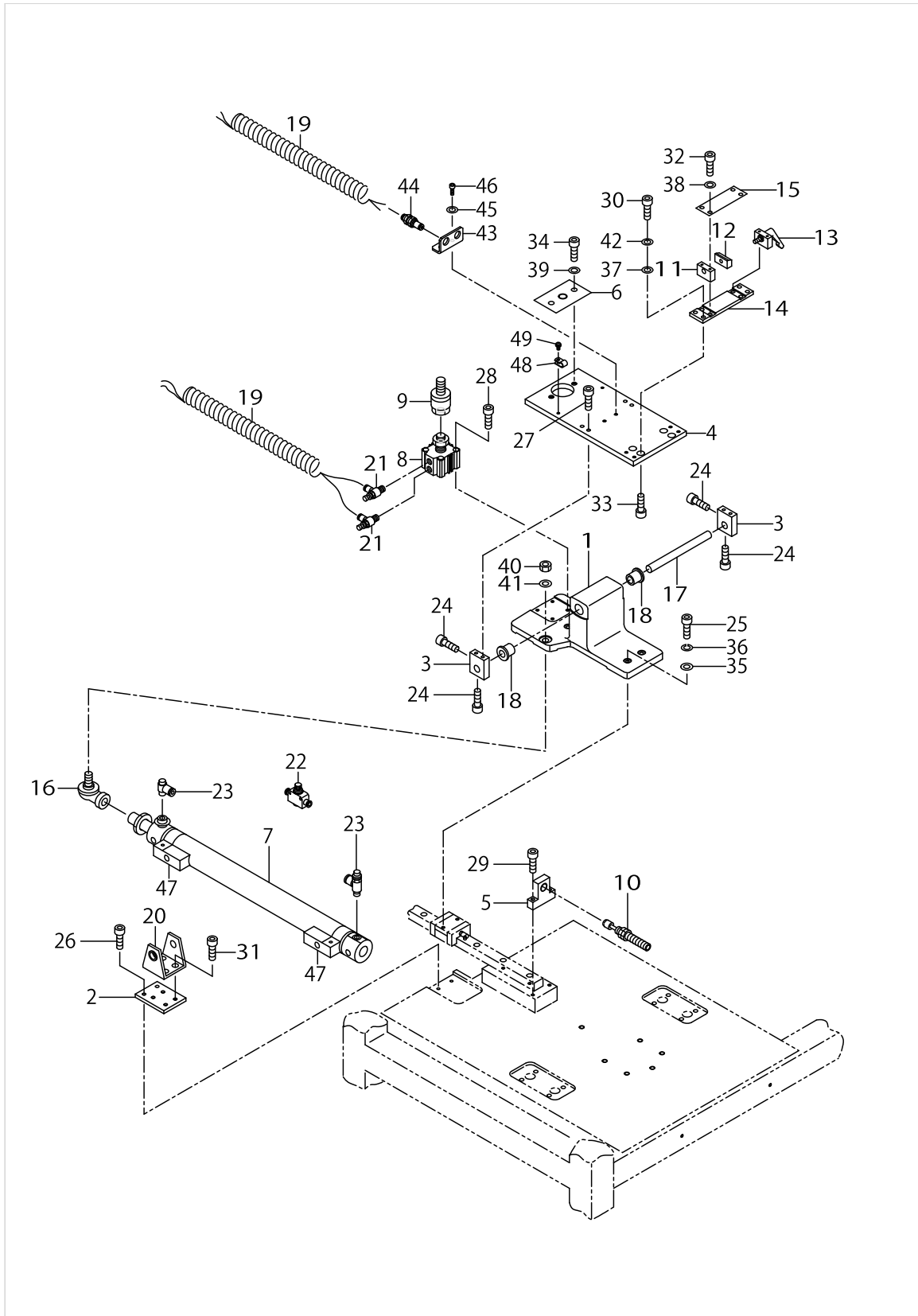
# CREASE MECHANISM COMPONENTS



CREASE MECHANISM COMPONENTS

| No. | Supply Code | Parts No.   | Replacement | Parts name         | Remarks   | Choice | Step | Level | Cons | Qty | Rep. QTY |
|-----|-------------|-------------|-------------|--------------------|---|--------|------|-------|------|-----|----------|
| 45  |             | WP1052001SC |             | WASHER 10,5X21X2   |   |        |      |       |      | 4   |          |
| 46  |             | WP1101016SD |             | WASHER 11X20X1     |   |        |      |       |      | 2   |          |
| 47  |             | NM6080001SC |             | NUT M8X1.25        |   |        |      |       |      | 2   |          |
| 48  |             | SM6061402TN |             | BOLT               |   |        |      |       |      | 2   |          |
| 49  |             | SS8150822TP |             | SCREW 15/64-28 L=8 |   |        |      |       |      | 4   |          |
| 50  |             | SM6041602TN |             | SCREW M4 X 16      |   |        |      |       |      | 4   |          |
| 51  |             | HX003070000 |             | TUBE               |   |        |      |       |      | 3   |          |
| 52  |             | HX00233000B |             | CABLE BAND         |   |        |      |       |      | 22  |          |
| 53  |             | HX00150000R |             | CABLE CLAMP        |   |        |      |       |      | 3   |          |
| 54  |             | SL4051291SC |             | SCREW M5X0.8 L=12  |   |        |      |       |      | 1   |          |
| 55  |             | SM1040801SC |             | SCREW M4X0.7 L=8   |   |        |      |       |      | 6   |          |
| 56  |             | G6029875000 |             | GAUGE PINHOLDERB   |   |        |      |       |      | 1   |          |
| 57  |             | PX060038000 |             | AUTO-SWITCH        | PARTS NO.<br>OF AIR CY-<br>LINDER A-<br>CESSORIES |        |      |       |      | 2   |          |
| 58  |             | CM300200003 |             | ATTENTION LABEL    |   |        |      |       |      | 1   |          |

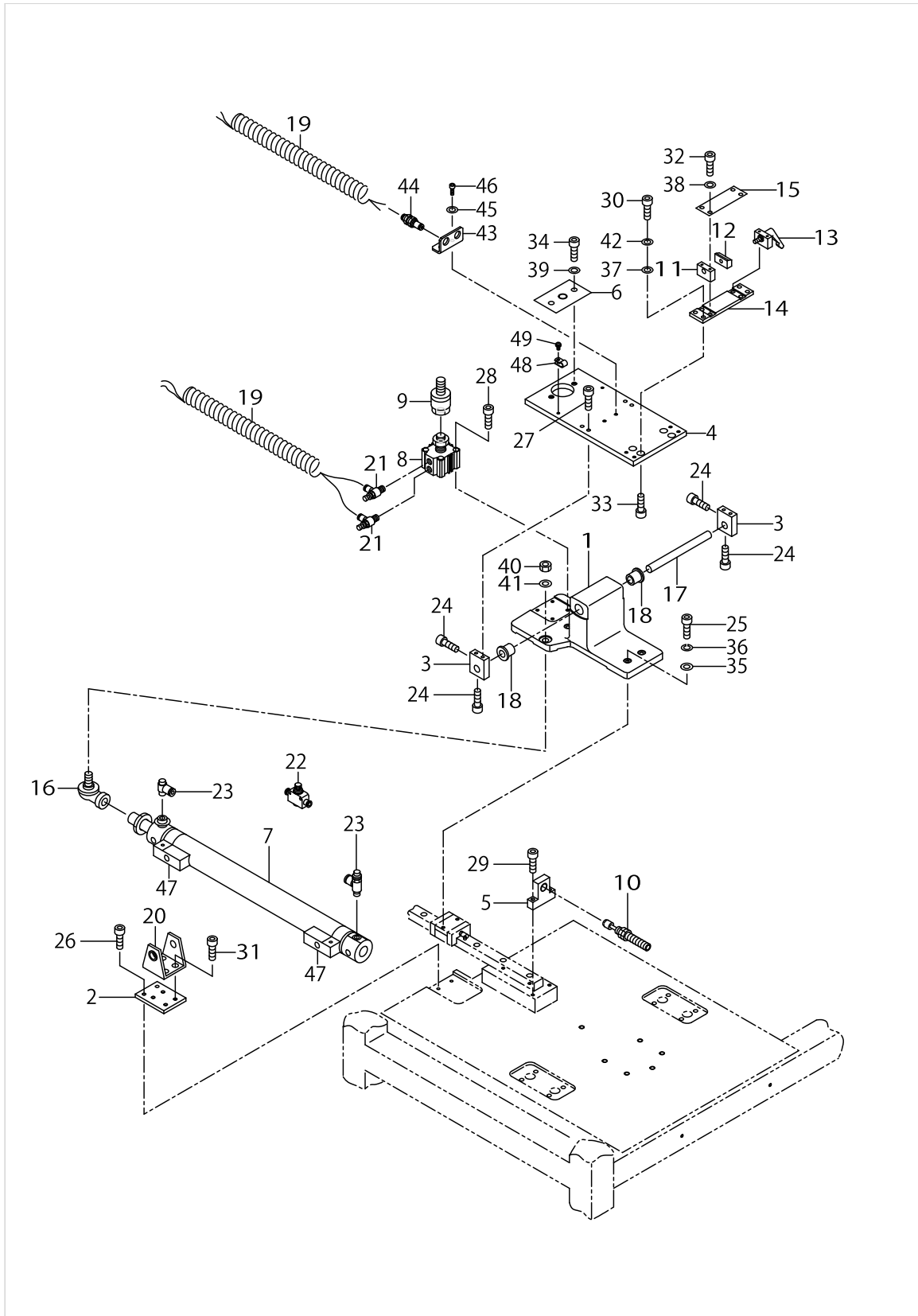
# FORM PLATE MECHANISM COMPONENTS



FORM PLATE MECHANISM COMPONENTS

| No. | Supply Code | Parts No.   | Replacement | Parts name                      | Remarks | Choice | Step | Level | Cons | Qty | Rep. QTY |
|-----|-------------|-------------|-------------|---------------------------------|---------|--------|------|-------|------|-----|----------|
| 1   |             | G6101875000 |             | TENPLATE MOVING BASE            |         |        |      |       |      | 1   |          |
| 2   |             | G6102875000 |             | CYLINDER FITTING PLATE          |         |        |      |       |      | 1   |          |
| 3   |             | G6103875000 |             | TENPLATE THRUST HOLDER PLATE    |         |        |      |       |      | 2   |          |
| 4   |             | G6104875000 |             | MOLD ONCE TOUCH FITTING PLATE   |         |        |      |       |      | 1   |          |
| 5   |             | G6105875000 |             | LOCATING FITTING PLATE          |         |        |      |       |      | 1   |          |
| 6   |             | G6106875000 |             | JOINTFITTINGPLATE               |         |        |      |       |      | 1   |          |
| 7   |             | PA3240002A0 |             | AIR CYLINDER                    |         |        |      |       |      | 1   |          |
| 8   |             | PA3201002A0 |             | AIR CYLINDER                    |         |        |      |       |      | 1   |          |
| 9   |             | PA900065000 |             | FLOATING JOINT                  |         |        |      |       |      | 1   |          |
| 10  |             | PA900066000 |             | SHOCK ABSORBER                  |         |        |      |       |      | 1   |          |
| 11  |             | G6012870000 |             | ONE TOUCH BASE CONNECTING PLATE |         |        |      |       |      | 1   |          |
| 12  |             | G6014870000 |             | ONE TOUCH LOCK METAL B          |         |        |      |       |      | 1   |          |
| 13  |             | G60168700A0 |             | LOOK LEVER SHAFT B ASM.         |         |        |      |       |      | 1   |          |
| 14  |             | G6108870000 |             | ONE-TOUCH BASE PLATE B          |         |        |      |       |      | 1   |          |
| 15  |             | G6109870000 |             | ONE-TOUCH BASE PLATE C          |         |        |      |       |      | 1   |          |
| 16  |             | G6118870000 |             | SHAPE REMOVING BALL             |         |        |      |       |      | 1   |          |
| 17  | R           | 12109302    | 13110606    | NEEDLE DRIVING SHAFT            |         |        |      |       |      | 1   | 1.00     |
| 18  |             | G5339171000 |             | FLANGE BUSHING                  |         |        |      |       |      | 2   |          |
| 19  |             | G5611341000 |             | SPIRAL TUBE                     |         |        |      |       |      | 2   |          |
| 20  |             | PA900051000 |             | ROCKER HOLDER                   |         |        |      |       |      | 1   |          |
| 21  |             | PC015108000 |             | SPEED CONTROLLER                |         |        |      |       |      | 2   |          |
| 22  |             | PC012601000 |             | SPEED CONTROLLER                |         |        |      |       |      | 1   |          |
| 23  |             | PJ304065103 |             | SWIVEL ELBOW                    |         |        |      |       |      | 2   |          |
| 24  |             | SM6051402TN |             | HEXAGONAL-HOLE BOLT M5 L=14     |         |        |      |       |      | 4   |          |
| 25  |             | SM6052002TN |             | BOLT                            |         |        |      |       |      | 4   |          |
| 26  |             | SM6051602TN |             | BOLT                            |         |        |      |       |      | 2   |          |
| 27  |             | SM6052002TN |             | BOLT                            |         |        |      |       |      | 4   |          |
| 28  |             | SM6053502TN |             | HEXAGONAL-HOLE BOLT M5 L=35     |         |        |      |       |      | 4   |          |
| 29  |             | SM6052502TN |             | HEXAGONAL-HOLE BOLT             |         |        |      |       |      | 2   |          |
| 30  |             | SM6051402TN |             | HEXAGONAL-HOLE BOLT M5 L=14     |         |        |      |       |      | 4   |          |
| 31  |             | SM6061002TP |             | SCREW M6 L=10                   |         |        |      |       |      | 4   |          |
| 32  |             | SM6061402TN |             | BOLT                            |         |        |      |       |      | 4   |          |
| 33  |             | SM6061402TN |             | BOLT                            |         |        |      |       |      | 4   |          |
| 34  |             | SM6082002TN |             | SCREW M8 L=20                   |         |        |      |       |      | 2   |          |
| 35  |             | WP0531001SC |             | WASHER                          |         |        |      |       |      | 4   |          |
| 36  |             | WS0510002KN |             | SPRING WASHER                   |         |        |      |       |      | 4   |          |
| 37  |             | WP0531001SC |             | WASHER                          |         |        |      |       |      | 4   |          |
| 38  |             | WP0641601SC |             | WASHER                          |         |        |      |       |      | 4   |          |
| 39  |             | WP0841601SC |             | WASHER 8.4X17.4X1.6             |         |        |      |       |      | 2   |          |
| 40  |             | NM6540013SB |             | HEXAGONAL NUT M10X1.25          |         |        |      |       |      | 1   |          |
| 41  |             | WP1052001SC |             | WASHER 10,5X21X2                |         |        |      |       |      | 1   |          |
| 42  |             | WS0510002KN |             | SPRING WASHER                   |         |        |      |       |      | 4   |          |
| 43  |             | G9206875000 |             | UNION FITTING PLATE             |         |        |      |       |      | 1   |          |
| 44  |             | PJ230004300 |             | UNION                           |         |        |      |       |      | 2   |          |
| 45  |             | WP0531001SC |             | WASHER                          |         |        |      |       |      | 2   |          |

# FORM PLATE MECHANISM COMPONENTS



FORM PLATE MECHANISM COMPONENTS

| No. | Supply Code | Parts No.   | Replacement | Parts name                  | Remarks                               | Choice | Step | Level | Cons | Qty | Rep. QTY |
|-----|-------------|-------------|-------------|-----------------------------|---------------------------------------|--------|------|-------|------|-----|----------|
| 46  |             | SM6051402TN |             | HEXAGONAL-HOLE BOLT M5 L=14 |                                       |        |      |       |      | 2   |          |
| 47  |             | PX060029000 |             | AUTO-SWITCH                 | PARTS NO. OF AIR CYLINDER ACCESSORIES |        |      |       |      | 2   |          |
| 48  |             | HX00150000B |             | CABLE CLIP                  |                                       |        |      |       |      | 1   |          |
| 49  |             | SL4041091SC |             | SCREW M4 L=10               |                                       |        |      |       |      | 1   |          |



TABLE COMPONENTS

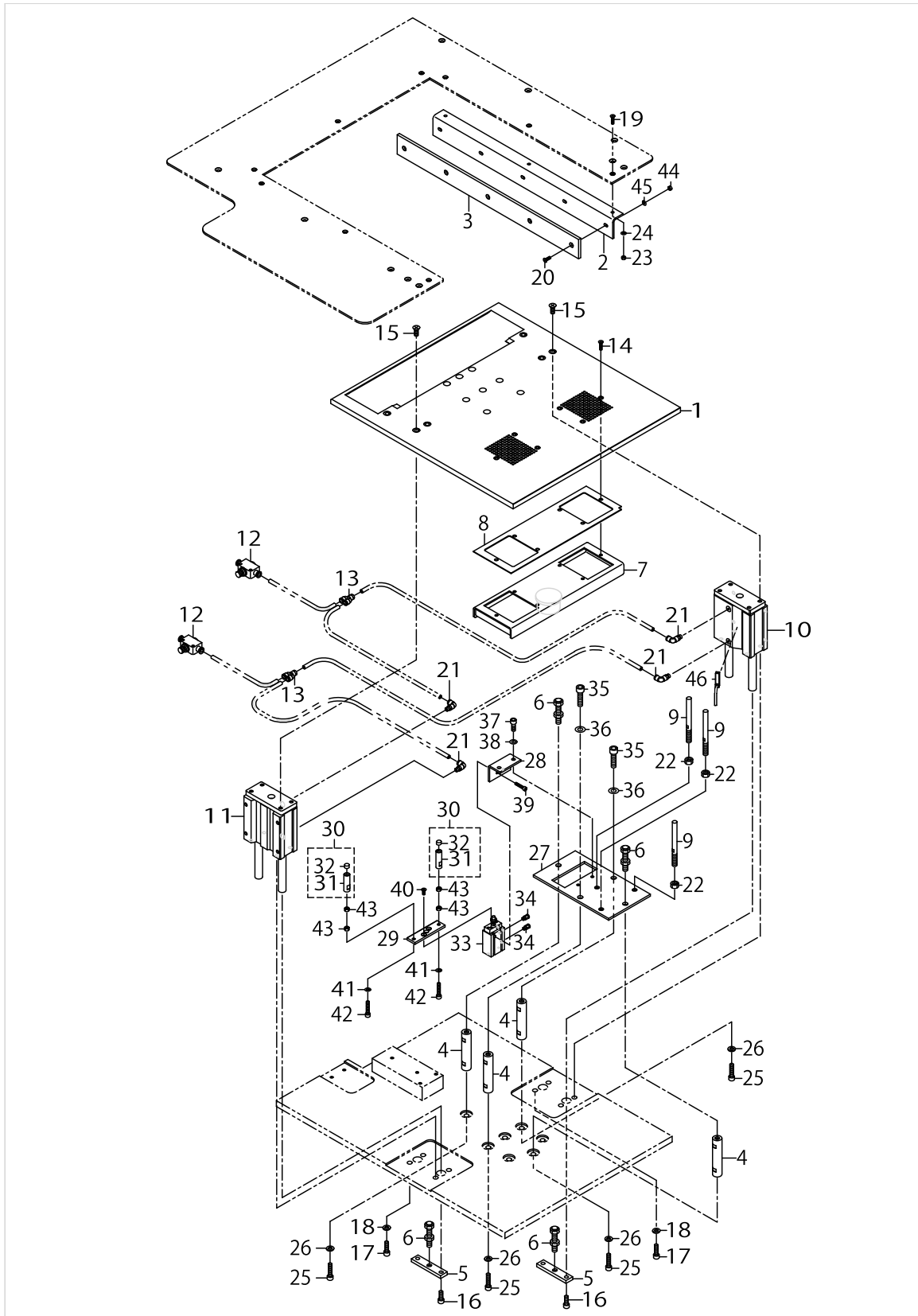


TABLE COMPONENTS

| No. | Supply Code | Parts No.    | Replacement | Parts name                    | Remarks | Choice | Step | Level | Cons | Qty | Rep. QTY |
|-----|-------------|--------------|-------------|-------------------------------|---------|--------|------|-------|------|-----|----------|
| 1   | D           | G6201875000A |             | UP-AND-DOWN TABLE             |         |        |      |       |      | 1   |          |
| 2   |             | G6202875000  |             | TABLE GUIDE FITTING PLATE     |         |        |      |       |      | 3   |          |
| 3   |             | G6203875000  |             | TABLE GUIDE PLATE             |         |        |      |       |      | 3   |          |
| 4   |             | G6204875000  |             | TABLE STOPPER FITTING SHAFT   |         |        |      |       |      | 4   |          |
| 5   |             | G6205875000  |             | TABLE STOPPER FITTING PLATE   |         |        |      |       |      | 2   |          |
| 6   |             | G6206875000  |             | STOPPER BOLT                  |         |        |      |       |      | 4   |          |
| 7   |             | G6207875000A |             | VACUUM BOX                    |         |        |      |       |      | 1   |          |
| 8   | D           | G6208875000A |             | PACKING                       |         |        |      |       |      | 1   |          |
| 9   |             | G6210875000  |             | TENPLATE GAUGE PIN            |         |        |      |       |      | 3   |          |
| 10  |             | PA2505002A0  |             | AIR CYLINDER                  |         |        |      |       |      | 1   |          |
| 11  |             | PA250500200  |             | AIR CYLINDER                  |         |        |      |       |      | 1   |          |
| 12  |             | PC012601000  |             | SPEED CONTROLLER              |         |        |      |       |      | 2   |          |
| 13  |             | PJ308060003  |             | Y UNION                       |         |        |      |       |      | 2   |          |
| 14  |             | SM1041601SC  |             | SCREW M4X0.7 L=16             |         |        |      |       |      | 6   |          |
| 15  |             | SM1061601SC  |             | SCREW M6 L=16                 |         |        |      |       |      | 6   |          |
| 16  |             | SM6061602TN  |             | SCREW M6 L=16                 |         |        |      |       |      | 4   |          |
| 17  |             | SM6062002TN  |             | SCREW M6 L=20                 |         |        |      |       |      | 8   |          |
| 18  |             | WP0641601SC  |             | WASHER                        |         |        |      |       |      | 8   |          |
| 19  |             | SM1041601SC  |             | SCREW M4X0.7 L=16             |         |        |      |       |      | 9   |          |
| 20  |             | SM1041201SC  |             | SCREW M4 L=12                 |         |        |      |       |      | 15  |          |
| 21  |             | PJ304065101  |             | ELBOW UNION 6XPT1/8           |         |        |      |       |      | 4   |          |
| 22  |             | NM6080001SC  |             | NUT M8X1.25                   |         |        |      |       |      | 3   |          |
| 23  |             | NM6040001SC  |             | NUT M4                        |         |        |      |       |      | 9   |          |
| 24  |             | WP0430801SC  |             | WASHER 4.3X9X0.8              |         |        |      |       |      | 9   |          |
| 25  |             | SM6062502TN  |             | HEXAGONAL-HOLE BOLT           |         |        |      |       |      | 4   |          |
| 26  |             | WP0611626SP  |             | WASHER 15X6X1.6               |         |        |      |       |      | 4   |          |
| 27  |             | G6212875000  |             | GARMENT PRESSER BASE          |         |        |      |       |      | 1   |          |
| 28  | D           | G6213875000  |             | CYLINDER FITTING PLATE        |         |        |      |       |      | 1   |          |
| 29  |             | G6214875000  |             | GARMENT PRESSER FITTING PLATE |         |        |      |       |      | 1   |          |
| 30  |             | G62158750A0  |             | GARMENT PRESSER PIN ASM.      |         |        |      |       |      | 2   |          |
| 31  |             | G6215875000  |             | GARMENT PRESSER PIN           |         |        |      | *     |      | 1   |          |
| 32  |             | B1516180000  |             | BUSH                          |         |        |      | *     |      | 1   |          |
| 33  |             | PA1601515A0  |             | AIR CYLINDER                  |         |        |      |       |      | 1   |          |
| 34  |             | PJ301040502  |             | HALF UNION 4XM5               |         |        |      |       |      | 2   |          |
| 35  |             | SM6083002TN  |             | SCREW M8 L=30                 |         |        |      |       |      | 2   |          |
| 36  |             | WP0841601SC  |             | WASHER 8.4X17.4X1.6           |         |        |      |       |      | 2   |          |
| 37  |             | SM6051402TN  |             | HEXAGONAL-HOLE BOLT M5 L=14   |         |        |      |       |      | 2   |          |
| 38  |             | WP0531001SC  |             | WASHER                        |         |        |      |       |      | 2   |          |
| 39  |             | SM6042002TN  |             | BOLT                          |         |        |      |       |      | 2   |          |
| 40  |             | SM1041001SC  |             | SCREW M4X0.7 L=10             |         |        |      |       |      | 2   |          |
| 41  |             | SM6052502TN  |             | HEXAGONAL-HOLE BOLT           |         |        |      |       |      | 2   |          |
| 42  |             | WP0531001SC  |             | WASHER                        |         |        |      |       |      | 2   |          |
| 43  |             | NM6050001SC  |             | NUT M5                        |         |        |      |       |      | 4   |          |
| 44  |             | NM6040001SC  |             | NUT M4                        |         |        |      |       |      | 15  |          |
| 45  |             | WP0430801SC  |             | WASHER 4.3X9X0.8              |         |        |      |       |      | 15  |          |

TABLE COMPONENTS

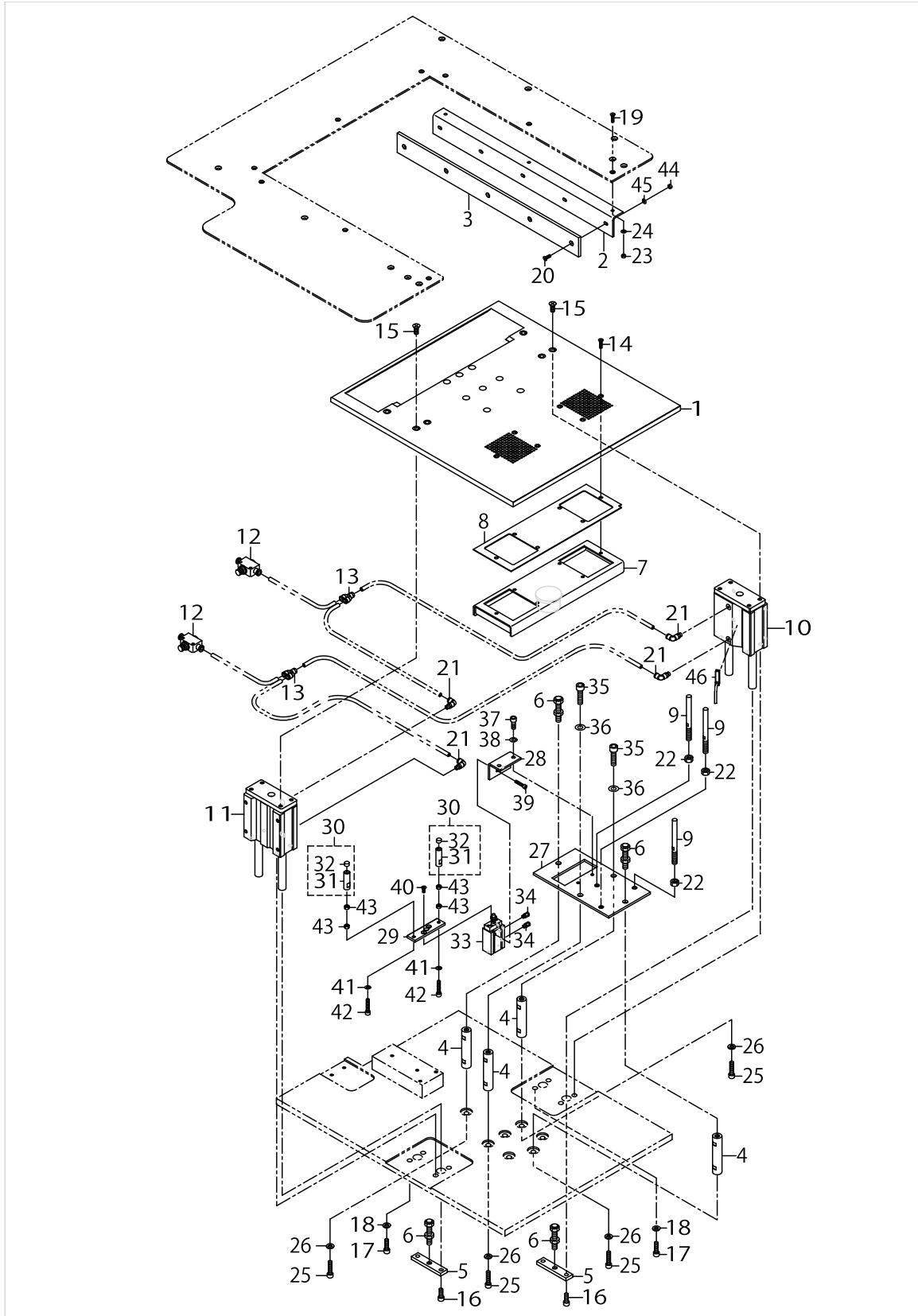
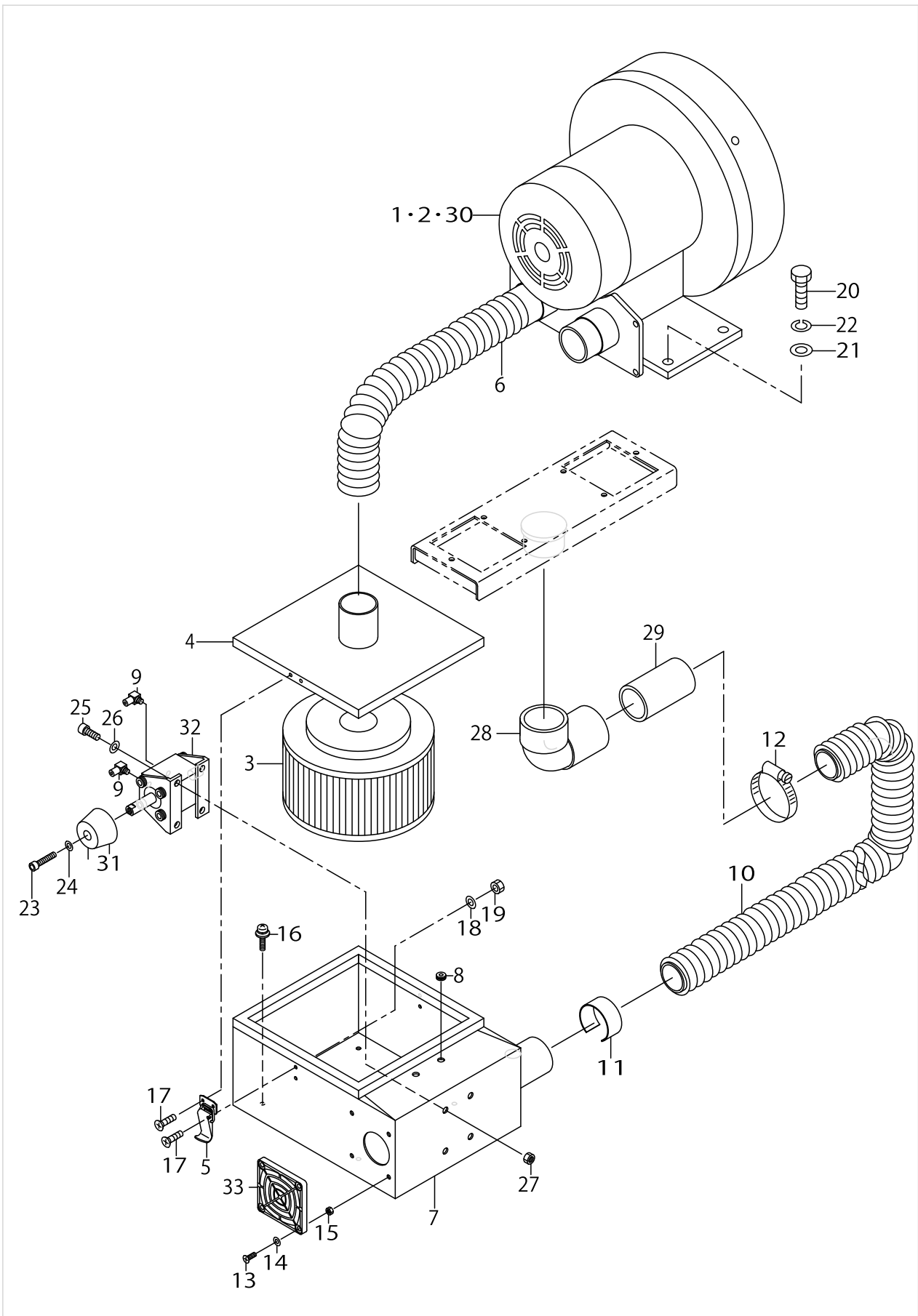


TABLE COMPONENTS

| No. | Supply Code | Parts No.   | Replacement | Parts name  | Remarks                               | Choice | Step | Level | Cons | Qty | Rep. QTY |
|-----|-------------|-------------|-------------|-------------|---------------------------------------|--------|------|-------|------|-----|----------|
| 46  |             | PX060039000 |             | AUTO-SWITCH | PARTS NO. OF AIR CYLINDER ACCESSORIES |        |      |       |      | 2   |          |

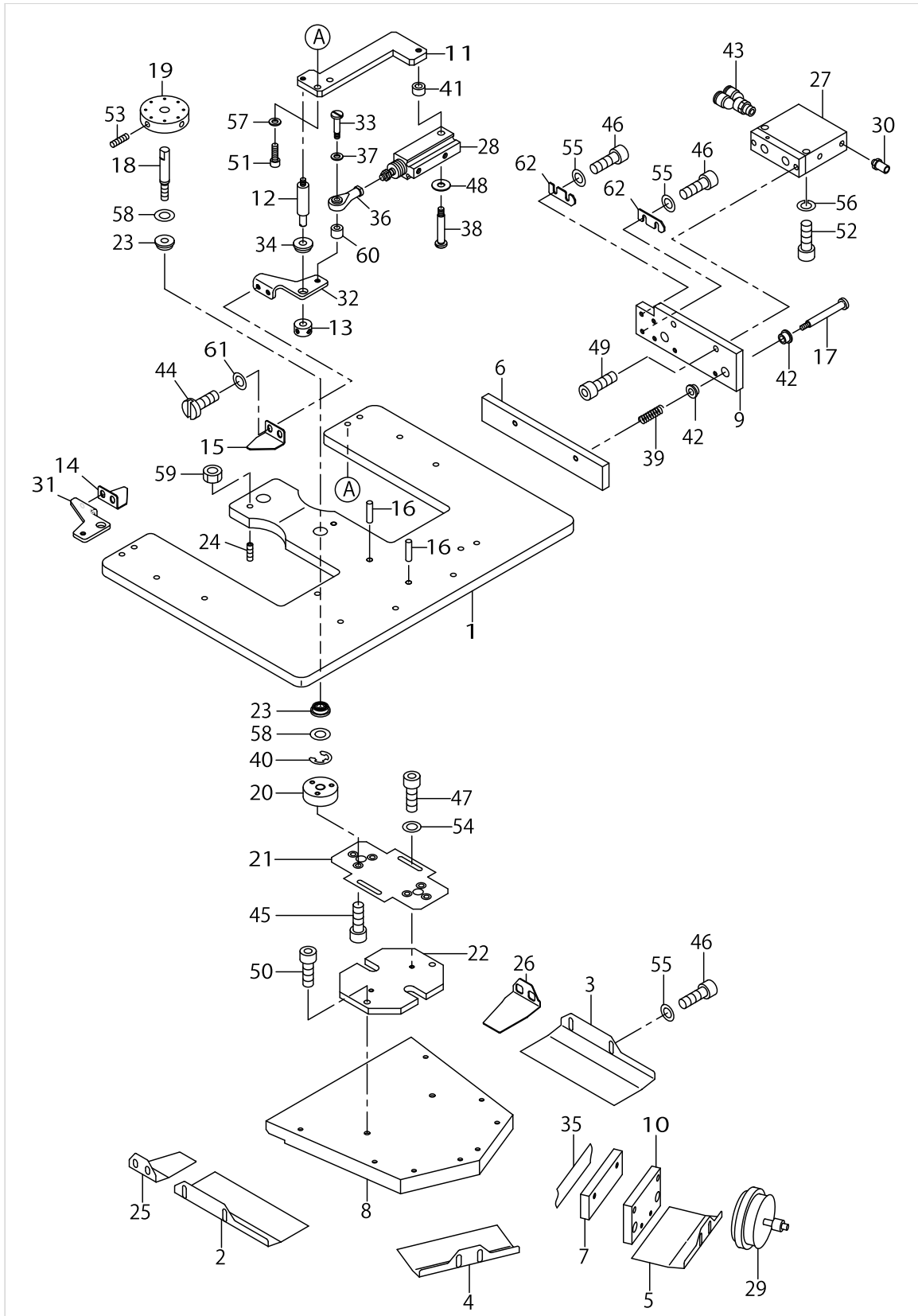
CLOTH SUCTION DEVICE COMPONENTS



CLOTH SUCTION DEVICE COMPONENTS

| No. | Supply Code | Parts No.   | Replacement | Parts name           | Remarks                               | Choice | Step | Level | Cons | Qty | Rep. QTY |
|-----|-------------|-------------|-------------|----------------------|---------------------------------------|--------|------|-------|------|-----|----------|
| 1   |             | GMC1600900B |             | BLOWER MOTOR (B)     | SELECTIVE PARTS (F- OR 3 φ 200V~240V) |        |      |       |      | 1   |          |
| 2   |             | GMC1600900C |             | BLOWER MOTOR (C)     | SELECTIVE PARTS (F- OR 1 φ 200V~240V) |        |      |       |      | 1   |          |
| 3   |             | GMC10004000 |             | FILTER ELEMENT       |                                       |        |      |       |      | 1   |          |
| 4   |             | GMC100050A0 |             | TOP COVER ASM.       |                                       |        |      |       |      | 1   |          |
| 5   |             | GMC10007000 |             | METAL FITTINGS       |                                       |        |      |       |      | 2   |          |
| 6   |             | GMC10008000 |             | AIR HOSE             |                                       |        |      |       |      | 1   |          |
| 7   |             | G62528750A0 |             | FILTER BOX ASM.      |                                       |        |      |       |      | 1   |          |
| 8   |             | HX000550000 |             | RUBBER BUSHING       |                                       |        |      |       |      | 2   |          |
| 9   |             | PJ046052503 |             | HOSE ELBOW           |                                       |        |      |       |      | 2   |          |
| 10  |             | GMC16005000 |             | CLOTH SUCK HOSE L    |                                       |        |      |       |      | 1   |          |
| 11  |             | G5171136000 |             | VACUUM CONTROL PLATE |                                       |        |      |       |      | 1   |          |
| 12  |             | G5176136000 |             | HOSE BAND            |                                       |        |      |       |      | 4   |          |
| 13  |             | SM1041201SC |             | SCREW M4 L=12        |                                       |        |      |       |      | 4   |          |
| 14  |             | WP0430801SC |             | WASHER 4.3X9X0.8     |                                       |        |      |       |      | 4   |          |
| 15  |             | NM6040001SC |             | NUT M4               |                                       |        |      |       |      | 4   |          |
| 16  |             | SL4040891SC |             | SCREW M4 L=8         |                                       |        |      |       |      | 4   |          |
| 17  |             | SM1030801SC |             | SCREW M3 L=8         |                                       |        |      |       |      | 8   |          |
| 18  |             | WP0320501SC |             | WASHER M3            |                                       |        |      |       |      | 4   |          |
| 19  |             | NM6030001SC |             | NUT M3               |                                       |        |      |       |      | 4   |          |
| 20  |             | SM6083002TP |             | SCREW M8 L=30        |                                       |        |      |       |      | 4   |          |
| 21  |             | WP0841601SC |             | WASHER 8.4X17.4X1.6  |                                       |        |      |       |      | 4   |          |
| 22  |             | WS0820002KN |             | SPRING WASHER M8     |                                       |        |      |       |      | 4   |          |
| 23  |             | SM6052502TN |             | HEXAGONAL-HOLE BOLT  |                                       |        |      |       |      | 2   |          |
| 24  |             | WP0531001SC |             | WASHER               |                                       |        |      |       |      | 2   |          |
| 25  |             | SM6061602TN |             | SCREW M6 L=16        |                                       |        |      |       |      | 4   |          |
| 26  |             | WP0641601SC |             | WASHER               |                                       |        |      |       |      | 4   |          |
| 27  |             | NM6060001SC |             | NUT M6               |                                       |        |      |       |      | 4   |          |
| 28  |             | G6211875000 |             | VACUUM BOX ELBOW     |                                       |        |      |       |      | 1   |          |
| 29  |             | 25023300    |             | PIPE                 |                                       |        |      |       |      | 1   |          |
| 30  |             | GMC1600900D |             | BLOWER MOTOR (D)     | SELECTIVE PARTS (F- OR 3 φ 380V~440V) |        |      |       |      | 1   |          |
| 31  |             | G6253875000 |             | VACUUM CHANGE RUBBER |                                       |        |      |       |      | 2   |          |
| 32  |             | PA200201100 |             | CYLINDER             |                                       |        |      |       |      | 1   |          |
| 33  |             | HM000550010 |             | FAN FILTER           |                                       |        |      |       |      | 1   |          |

# CREASE GAGE COMPONENTS

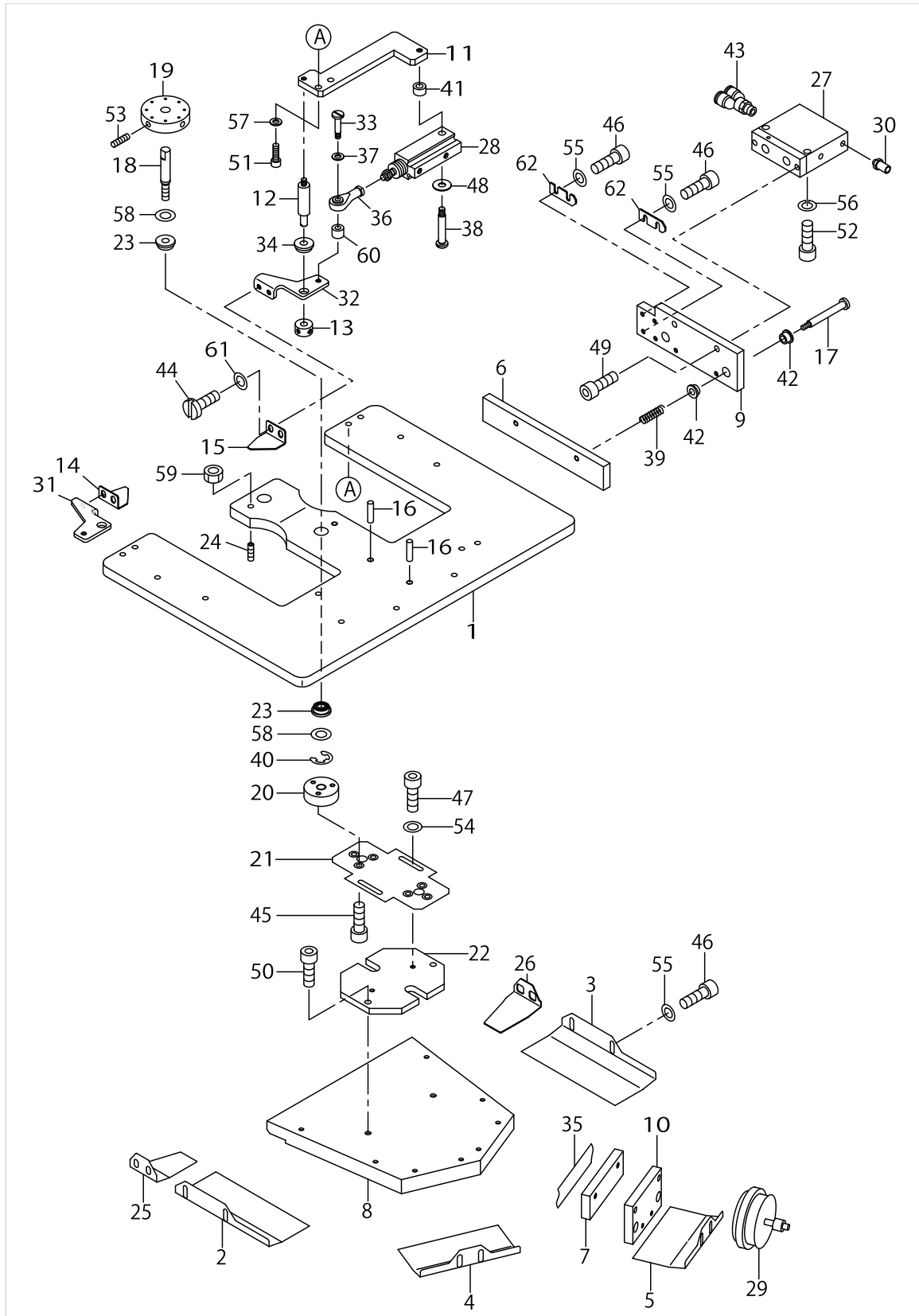


CREASE GAGE COMPONENTS

| No. | Supply Code | Parts No.    | Replacement | Parts name              | Remarks | Choice | Step | Level | Cons | Qty | Rep. QTY |
|-----|-------------|--------------|-------------|-------------------------|---------|--------|------|-------|------|-----|----------|
| 1   |             | G6301875000  |             | FOLDING BASE PLATE      |         |        |      |       |      | 1   |          |
| 2   | D           | G6302875000  |             | FOLDING PLATE A ,LEFT   |         |        |      |       |      | 1   |          |
| 3   | D           | G6303875000  |             | FOLDING PLATE A ,RIGHT  |         |        |      |       |      | 1   |          |
| 4   | D           | G6304875000  |             | FOLDING PLATE B         |         |        |      |       |      | 1   |          |
| 5   |             | G6305875000  |             | FOLDING PLATE C         |         |        |      |       |      | 1   |          |
| 6   |             | G6306875000  |             | CLOTH PRESSER PLATE A   |         |        |      |       |      | 2   |          |
| 7   |             | G6307875000  |             | CLOTH PRESSER PLATE B   |         |        |      |       |      | 2   |          |
| 8   |             | G6308875000  |             | POCKET PRESSER PLATE    |         |        |      |       |      | 1   |          |
| 9   |             | G6010875000  |             | FOLDING SUPPORT PLATE A |         |        |      |       |      | 2   |          |
| 10  |             | G6011875000  |             | FOLDING SUPPORT PLATE B |         |        |      |       |      | 2   |          |
| 11  |             | G6012875000A |             | FOLD FITTING BASE       |         |        |      |       |      | 2   |          |
| 12  |             | G6013875000  |             | FOLD SHAFT A            |         |        |      |       |      | 2   |          |
| 13  |             | G6014880000  |             | LINK THRUST HOLDER      |         |        |      |       |      | 2   |          |
| 14  |             | G6015875000  |             | CREASING PLATE, LEFT    |         |        |      |       |      | 1   |          |
| 15  |             | G6016875000  |             | CREASING PLATE, RIGHT   |         |        |      |       |      | 1   |          |
| 16  |             | G6017875000  |             | FOLD GAUGE PIN          |         |        |      |       |      | 2   |          |
| 17  |             | G6018875000  |             | FOLD SCREW              |         |        |      |       |      | 8   |          |
| 18  |             | G6019875000  |             | CLOTH PRESSER SHAFT     |         |        |      |       |      | 2   |          |
| 19  |             | G6020875000  |             | FEED ADJUSTING PICK-UP  |         |        |      |       |      | 2   |          |
| 20  |             | G6021875000  |             | CLOTH PRESSER SCREW     |         |        |      |       |      | 2   |          |
| 21  |             | G6022875000  |             | FITTING PLATE           |         |        |      |       |      | 1   |          |
| 22  |             | G6023875000  |             | FITTING PLATE           |         |        |      |       |      | 1   |          |
| 23  |             | G6024875000  |             | CLOTH PRESSER BEARING   |         |        |      |       |      | 4   |          |
| 24  |             | G6025875000  |             | STOPPER PIN             |         |        |      |       |      | 2   |          |
| 25  |             | G6026875000  |             | FOLDING PLATE, LEFT     |         |        |      |       |      | 1   |          |
| 26  |             | G6027875000  |             | FOLDING PLATE, RIGHT    |         |        |      |       |      | 1   |          |
| 27  |             | PA1602010A0  |             | AIR CYLINDER            |         |        |      |       |      | 4   |          |
| 28  | R           | PA1502006A0  | PA1602014A0 | CYLINDER                |         |        |      |       |      | 2   | 1.00     |
| 29  |             | PJ401000400  |             | MULTICONNECTOR (PLUG)   |         |        |      |       |      | 1   |          |
| 30  |             | PJ032052503  |             | HOSE NIPPLE             |         |        |      |       |      | 12  |          |
| 31  |             | G6031875000  |             | PLATE ,LEFT             |         |        |      |       |      | 1   |          |
| 32  |             | G6032875000  |             | PLATE ,RIGHT            |         |        |      |       |      | 1   |          |
| 33  |             | D3158450B00A |             | SHAFT                   |         |        |      |       |      | 2   |          |
| 34  |             | G6031870000  |             | BEARING                 |         |        |      |       |      | 2   |          |
| 35  |             | G6314870000  |             | CLOTH PRESSER SPONGE    |         |        |      |       |      | 1   |          |
| 36  |             | B1632180000  |             | FEED ADJUSTING JOINT    |         |        |      |       |      | 2   |          |
| 37  |             | WP0531001SC  |             | WASHER                  |         |        |      |       |      | 4   |          |
| 38  |             | G6022870000  |             | FOLDING STEPSCREW       |         |        |      |       |      | 2   |          |
| 39  |             | G6033875000  |             | FOLDING SPRING          |         |        |      |       |      | 8   |          |
| 40  |             | RE0600000K0  |             | E-RING 6                |         |        |      |       |      | 2   |          |
| 41  |             | D2075772B00  |             | GIMP HOOK BLOCK BASE    |         |        |      |       |      | 2   |          |
| 42  |             | E5006171000  |             | PS BEARING              |         |        |      |       |      | 12  |          |
| 43  |             | PJ308040002  |             | QUICK COUPLING          |         |        |      |       |      | 2   |          |
| 44  |             | SS7110710SP  |             | SCREW 11/64-40 L=7      |         |        |      |       |      | 4   |          |
| 45  |             | SM1041001SC  |             | SCREW M4X0.7 L=10       |         |        |      |       |      | 6   |          |
| 46  |             | SM6041002TN  |             | BOLT                    |         |        |      |       |      | 16  |          |



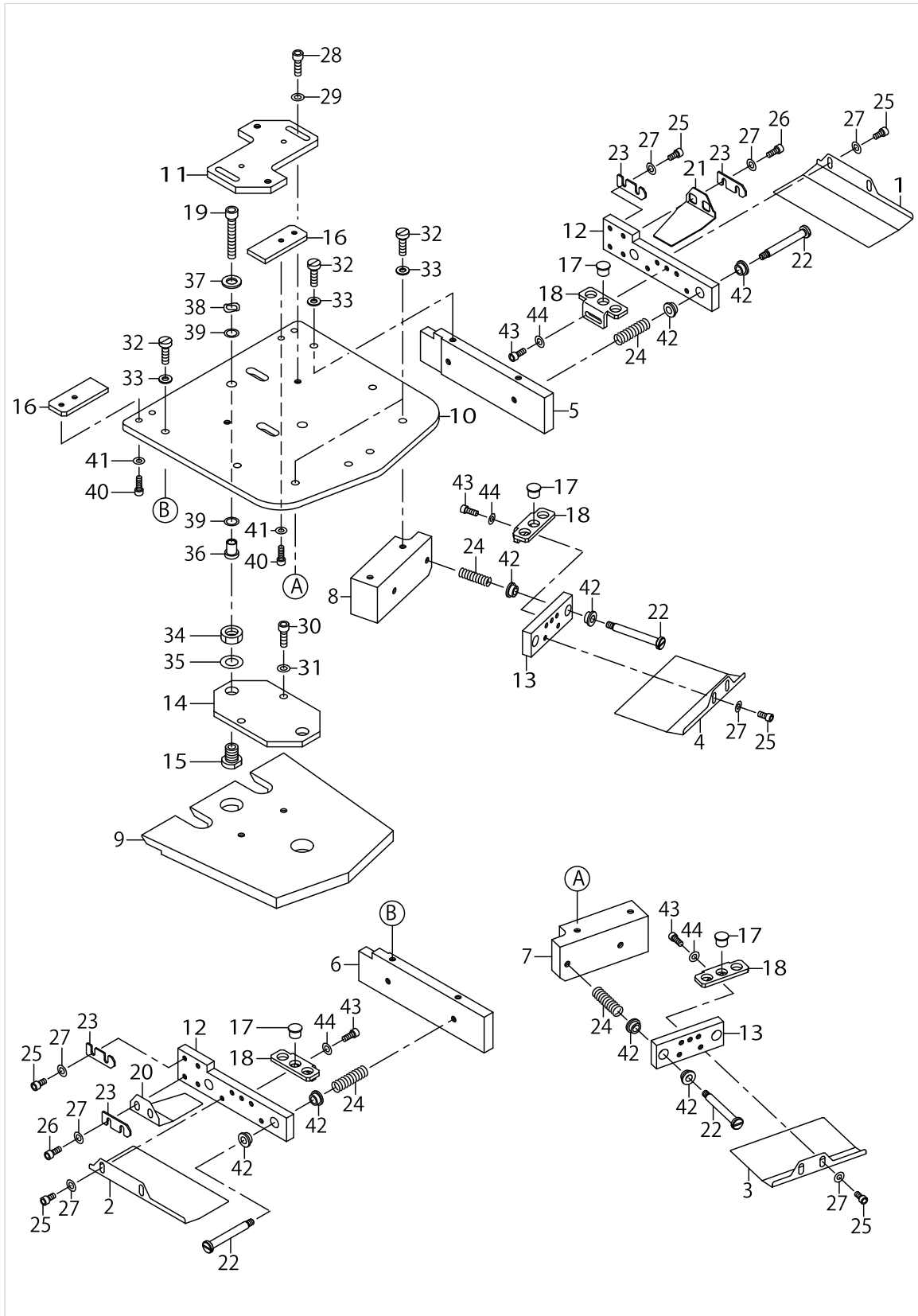
CREASE GAGE COMPONENTS



CREASE GAGE COMPONENTS

| No. | Supply Code | Parts No.   | Replacement | Parts name            | Remarks | Choice | Step | Level | Cons | Qty | Rep. QTY |
|-----|-------------|-------------|-------------|-----------------------|---------|--------|------|-------|------|-----|----------|
| 47  |             | SM6041002TN |             | BOLT                  |         |        |      |       |      | 2   |          |
| 48  |             | WP0600816SP |             | WASHER                |         |        |      |       |      | 2   |          |
| 49  |             | SM6051602TN |             | BOLT                  |         |        |      |       |      | 8   |          |
| 50  |             | SM6052002TN |             | BOLT                  |         |        |      |       |      | 2   |          |
| 51  |             | SM6051602TN |             | BOLT                  |         |        |      |       |      | 4   |          |
| 52  |             | SM6053002TN |             | SCREW M5X0.8 L=30     |         |        |      |       |      | 8   |          |
| 53  |             | SM8041012TP |             | SCREW M4 L=10         |         |        |      |       |      | 4   |          |
| 54  |             | WP0430801SC |             | WASHER 4.3X9X0.8      |         |        |      |       |      | 2   |          |
| 55  |             | WP0430801SC |             | WASHER 4.3X9X0.8      |         |        |      |       |      | 16  |          |
| 56  |             | WP0531001SC |             | WASHER                |         |        |      |       |      | 8   |          |
| 57  |             | WP0531001SC |             | WASHER                |         |        |      |       |      | 4   |          |
| 58  |             | WP0841601SC |             | WASHER 8.4X17.4X1.6   |         |        |      |       |      | 4   |          |
| 59  |             | NM6050003SC |             | NUT M5X0.8            |         |        |      |       |      | 2   |          |
| 60  |             | 11315108    |             | COLLAR                |         |        |      |       |      | 2   |          |
| 61  |             | WP0480856SP |             | WASHER 4.8X8.4X0.8    |         |        |      |       |      | 4   |          |
| 62  |             | G6030875000 |             | FOLDING PLATE PRESSER |         |        |      |       |      | 4   |          |

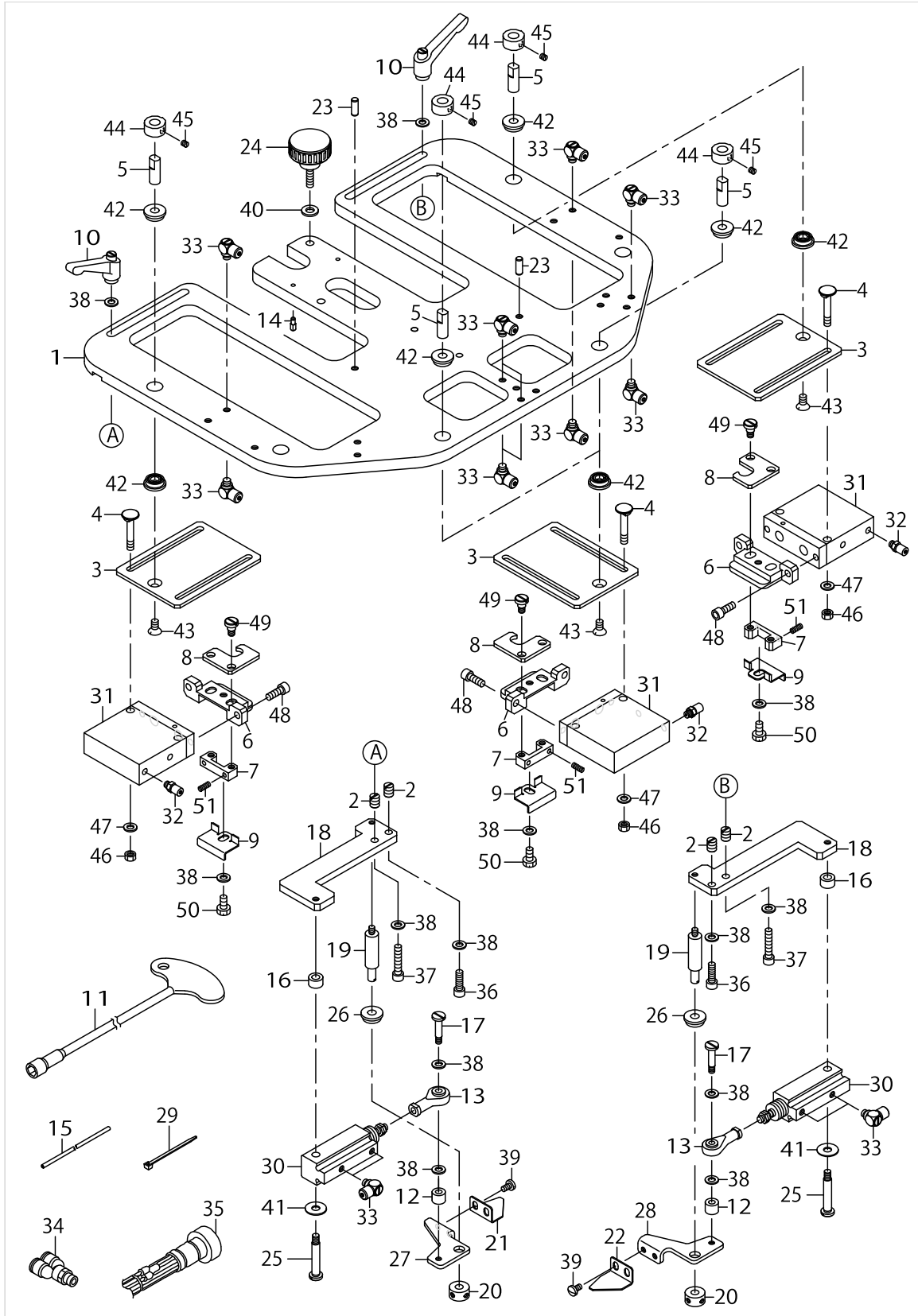
# REPLACEMENT GAUGE KIT COMPONENTS



REPLACEMENT GAUGE KIT COMPONENTS

| No. | Supply Code | Parts No.    | Replacement | Parts name                | Remarks | Choice | Step | Level | Cons | Qty | Rep. QTY |
|-----|-------------|--------------|-------------|---------------------------|---------|--------|------|-------|------|-----|----------|
| 1   |             | 40018635     |             | FOLDING PLATE A RIGHT     |         |        |      |       |      | 1   |          |
| 2   |             | 40018636     |             | FOLDING PLATE A LEFT      |         |        |      |       |      | 1   |          |
| 3   |             | 40018637     |             | FOLDING PLATE B           |         |        |      |       |      | 1   |          |
| 4   |             | 40018638     |             | FOLDING PLATE C           |         |        |      |       |      | 1   |          |
| 5   |             | 40018639     |             | CLOTH PRESSER PLATER A R  |         |        |      |       |      | 1   |          |
| 6   |             | 40018640     |             | CLOTH PRESSER PLATER A L  |         |        |      |       |      | 1   |          |
| 7   |             | 40018641     |             | CLOTH PRESSER PLATER B    |         |        |      |       |      | 1   |          |
| 8   |             | 40018804     |             | CLOTH PRESSER PLATER C    |         |        |      |       |      | 1   |          |
| 9   |             | 40018642     |             | POCKET PRESSER PLATE      |         |        |      |       |      | 1   |          |
| 10  |             | 40018643     |             | REPLACEMENT BASE PLATE    |         |        |      |       |      | 1   |          |
| 11  |             | 40019853     |             | REPLACEMENT BASE PLATE    |         |        |      |       |      | 1   |          |
| 12  |             | 40013391     |             | FOLDING SUPPORT PLATE A   |         |        |      |       |      | 2   |          |
| 13  |             | 40010748     |             | FOLDING SUPPORT PLATE B   |         |        |      |       |      | 2   |          |
| 14  |             | 40019854     |             | POCKET PRESSER PLATE      |         |        |      |       |      | 1   |          |
| 15  |             | 40019855     |             | CLOTH PRESSER SCREW       |         |        |      |       |      | 2   |          |
| 16  |             | 40019856     |             | CREASING GAUGE PLATE      |         |        |      |       |      | 2   |          |
| 17  |             | 40019857     |             | GAUGE PIN                 |         |        |      |       |      | 4   |          |
| 18  |             | 40019858     |             | GAUGE PIN PLATE           |         |        |      |       |      | 4   |          |
| 19  |             | SM6064052TN  |             | SCREW                     |         |        |      |       |      | 2   |          |
| 20  |             | G6026875000  |             | FOLDING PLATE, LEFT       |         |        |      |       |      | 1   |          |
| 21  |             | G6027875000  |             | FOLDING PLATE, RIGHT      |         |        |      |       |      | 1   |          |
| 22  |             | G6018875000  |             | FOLD SCREW                |         |        |      |       |      | 8   |          |
| 23  |             | G6030875000  |             | FOLDING PLATE PRESSER     |         |        |      |       |      | 4   |          |
| 24  |             | G6033875000  |             | FOLDING SPRING            |         |        |      |       |      | 8   |          |
| 25  |             | SM6040802TN  |             | SCREW                     |         |        |      |       |      | 12  |          |
| 26  |             | SM6041002TN  |             | BOLT                      |         |        |      |       |      | 4   |          |
| 27  |             | WP0430801SC  |             | WASHER 4.3X9X0.8          |         |        |      |       |      | 16  |          |
| 28  |             | SM6051602TN  |             | BOLT                      |         |        |      |       |      | 2   |          |
| 29  |             | WP0531001SC  |             | WASHER                    |         |        |      |       |      | 2   |          |
| 30  |             | SM6051602TN  |             | BOLT                      |         |        |      |       |      | 2   |          |
| 31  |             | WP0531001SC  |             | WASHER                    |         |        |      |       |      | 2   |          |
| 32  |             | SS6121860SP  |             | SCREW 3/16-28 L=18        |         |        |      |       |      | 8   |          |
| 33  |             | WP0501016SD  |             | WASHER 5X10.5X1           |         |        |      |       |      | 8   |          |
| 34  |             | NM6100003SC  |             | NUT M10                   |         |        |      |       |      | 2   |          |
| 35  |             | WP1021016SD  |             | WASHER                    |         |        |      |       |      | 2   |          |
| 36  |             | G6016870000A |             | LOCKLEVERSHAFTB           |         |        |      |       |      | 2   |          |
| 37  |             | WP08416000E  |             | WASHER8.4X15.5X1.6        |         |        |      |       |      | 2   |          |
| 38  |             | WZ0850302K0  |             | WAVED WASHER 8.5X12.5X0.3 |         |        |      |       |      | 2   |          |
| 39  |             | WP0820516SP  |             | WASHER11.6X8.2X0.6        |         |        |      |       |      | 4   |          |
| 40  |             | SM6041202TN  |             | SCREW M4X0.7 L=12         |         |        |      |       |      | 4   |          |
| 41  |             | WP0430801SC  |             | WASHER 4.3X9X0.8          |         |        |      |       |      | 4   |          |
| 42  |             | E5006171000  |             | PS BEARING                |         |        |      |       |      | 16  |          |
| 43  |             | SM6041002TN  |             | BOLT                      |         |        |      |       |      | 4   |          |
| 44  |             | WP0430801SC  |             | WASHER 4.3X9X0.8          |         |        |      |       |      | 4   |          |

# FOLDING BASE PLATE UNIT



FOLDING BASE PLATE UNIT

| No. | Supply Code | Parts No.    | Replacement | Parts name                   | Remarks | Choice | Step | Level | Cons | Qty | Rep. QTY |
|-----|-------------|--------------|-------------|------------------------------|---------|--------|------|-------|------|-----|----------|
| 1   |             | 40009661     |             | FOLDING BASE PLATE           |         |        |      |       |      | 1   |          |
| 2   |             | 40019845     |             | FLODING BASE SCREW           |         |        |      |       |      | 4   |          |
| 3   |             | 40019846     |             | CYLINDER PLATE               |         |        |      |       |      | 4   |          |
| 4   |             | 40019847     |             | CYLINDER SCREW               |         |        |      |       |      | 8   |          |
| 5   |             | 40019848     |             | CYLINDER FULCRUM SHAFT       |         |        |      |       |      | 4   |          |
| 6   |             | 40019849     |             | GAUGE PLATE A                |         |        |      |       |      | 4   |          |
| 7   |             | 40019850     |             | GAUGE PLATE B                |         |        |      |       |      | 4   |          |
| 8   |             | 40019851     |             | GAUGE PLATE C                |         |        |      |       |      | 4   |          |
| 9   |             | 40019852     |             | GAUGE PLATE D                |         |        |      |       |      | 4   |          |
| 10  |             | 40017666     |             | FOLDING LEVER                |         |        |      |       |      | 2   |          |
| 11  | D           | 40017667     |             | SCREW NUT DRIVER             |         |        |      |       |      | 1   |          |
| 12  |             | 11315108     |             | COLLAR                       |         |        |      |       |      | 2   |          |
| 13  |             | B1632180000  |             | FEED ADJUSTING JOINT         |         |        |      |       |      | 2   |          |
| 14  |             | B1816210000  |             | GUIDE PIN                    |         |        |      |       |      | 2   |          |
| 15  |             | BT0400251EB  |             | URETHANE HOSE, BLACK         |         |        |      |       |      | 10  |          |
| 16  |             | D2075772B00  |             | GIMP HOOK BLOCK BASE         |         |        |      |       |      | 2   |          |
| 17  |             | D3158450B00A |             | SHAFT                        |         |        |      |       |      | 2   |          |
| 18  |             | G6012875000A |             | FOLD FITTING BASE            |         |        |      |       |      | 2   |          |
| 19  |             | G6013875000  |             | FOLD SHAFT A                 |         |        |      |       |      | 2   |          |
| 20  |             | G6014880000  |             | LINK THRUST HOLDER           |         |        |      |       |      | 2   |          |
| 21  |             | G6015875000  |             | CREASING PLATE, LEFT         |         |        |      |       |      | 1   |          |
| 22  |             | G6016875000  |             | CREASING PLATE, RIGHT        |         |        |      |       |      | 1   |          |
| 23  |             | G6017875000  |             | FOLD GAUGE PIN               |         |        |      |       |      | 2   |          |
| 24  |             | G6007875000  |             | FOLDING UNIT INSTALLING KNOB |         |        |      |       |      | 2   |          |
| 25  |             | G6022870000  |             | FOLDING STEPSCREW            |         |        |      |       |      | 2   |          |
| 26  |             | G6031870000  |             | BEARING                      |         |        |      |       |      | 2   |          |
| 27  |             | G6031875000  |             | PLATE ,LEFT                  |         |        |      |       |      | 1   |          |
| 28  |             | G6032875000  |             | PLATE ,RIGHT                 |         |        |      |       |      | 1   |          |
| 29  |             | HX002330000  |             | CLIP                         |         |        |      |       |      | 12  |          |
| 30  | R           | PA1502006A0  | PA1602014A0 | CYLINDER                     |         |        |      |       |      | 2   | 1.00     |
| 31  |             | PA1602010A0  |             | AIR CYLINDER                 |         |        |      |       |      | 4   |          |
| 32  |             | PJ032052503  |             | HOSE NIPPLE                  |         |        |      |       |      | 8   |          |
| 33  |             | PJ046052503  |             | HOSE ELBOW                   |         |        |      |       |      | 20  |          |
| 34  |             | PJ308040002  |             | QUICK COUPLING               |         |        |      |       |      | 2   |          |
| 35  |             | PJ401000400  |             | MULTICONNECTOR (PLUG)        |         |        |      |       |      | 1   |          |
| 36  |             | SM6051602TN  |             | BOLT                         |         |        |      |       |      | 2   |          |
| 37  |             | SM6052502TN  |             | HEXAGONAL-HOLE BOLT          |         |        |      |       |      | 2   |          |
| 38  |             | WP0531001SC  |             | WASHER                       |         |        |      |       |      | 14  |          |
| 39  |             | SS7110710SP  |             | SCREW 11/64-40 L=7           |         |        |      |       |      | 4   |          |
| 40  |             | WP0641601SC  |             | WASHER                       |         |        |      |       |      | 2   |          |
| 41  |             | WP0600816SP  |             | WASHER                       |         |        |      |       |      | 2   |          |
| 42  |             | G6024875000  |             | CLOTH PRESSER BEARING        |         |        |      |       |      | 8   |          |
| 43  |             | SM1051052TN  |             | SCREW M5 L=10                |         |        |      |       |      | 4   |          |
| 44  |             | CS0800816SH  |             | THRUST HOLDER D=8 W=8        |         |        |      |       |      | 4   |          |
| 45  |             | SS8110422TP  |             | SCREW 11/64-40 L=4           |         |        |      |       |      | 8   |          |
| 46  |             | NM6050001SD  |             | NUT M5X0.8                   |         |        |      |       |      | 8   |          |

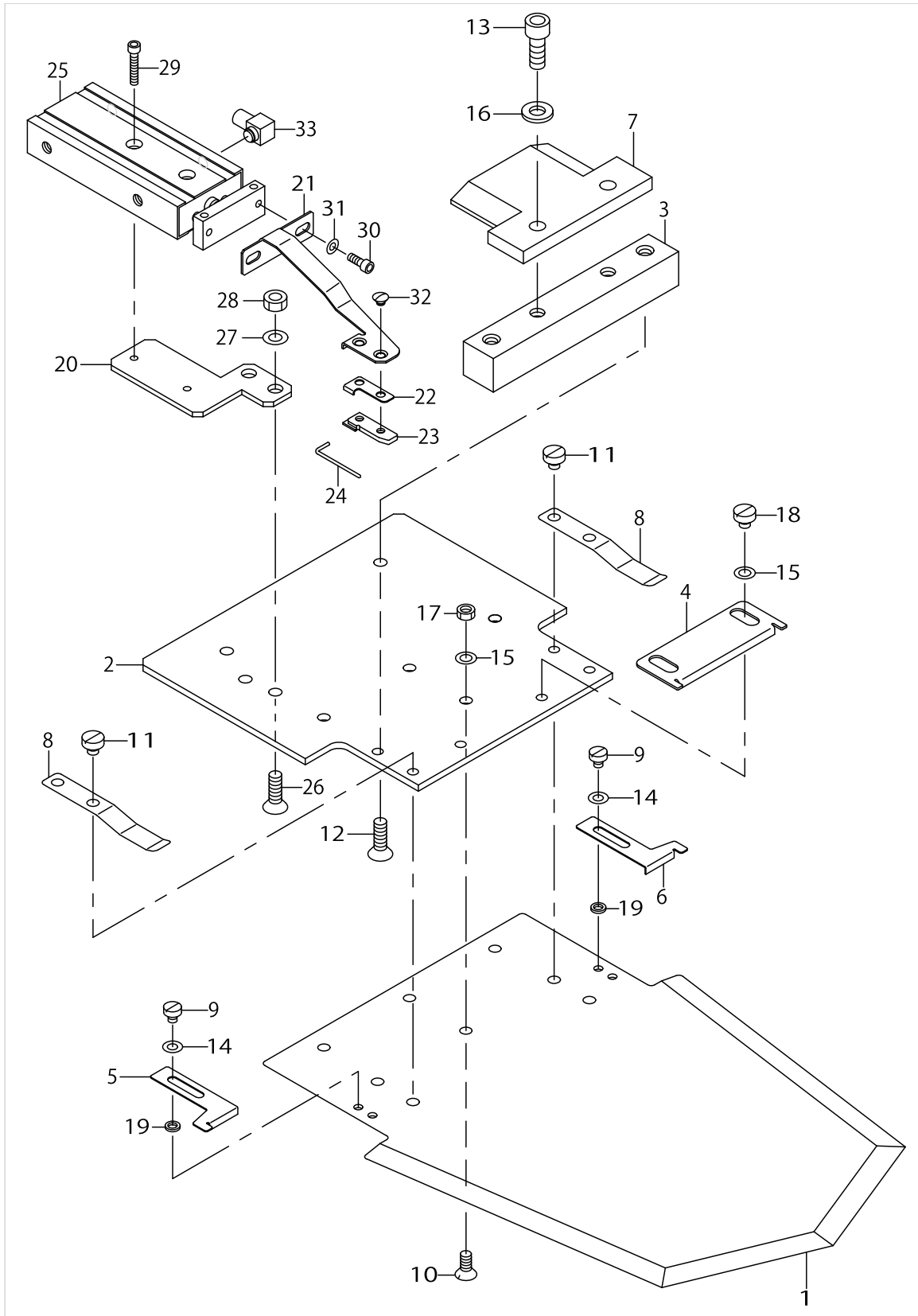


FOLDING BASE PLATE UNIT

| No. | Supply Code | Parts No.   | Replacement | Parts name                  | Remarks | Choice | Step | Level | Cons | Qty | Rep. QTY |
|-----|-------------|-------------|-------------|-----------------------------|---------|--------|------|-------|------|-----|----------|
| 47  |             | WP0531000SD |             | WASHER M5                   |         |        |      |       |      | 8   |          |
| 48  |             | SM6051402TN |             | HEXAGONAL-HOLE BOLT M5 L=14 |         |        |      |       |      | 8   |          |
| 49  |             | SD0600453TP |             | HINGE SCREW                 |         |        |      |       |      | 8   |          |
| 50  |             | SM9051050SC |             | SCREW M5X0.8 L=10           |         |        |      |       |      | 4   |          |
| 51  |             | B1619180000 |             | SPRING                      |         |        |      |       |      | 8   |          |



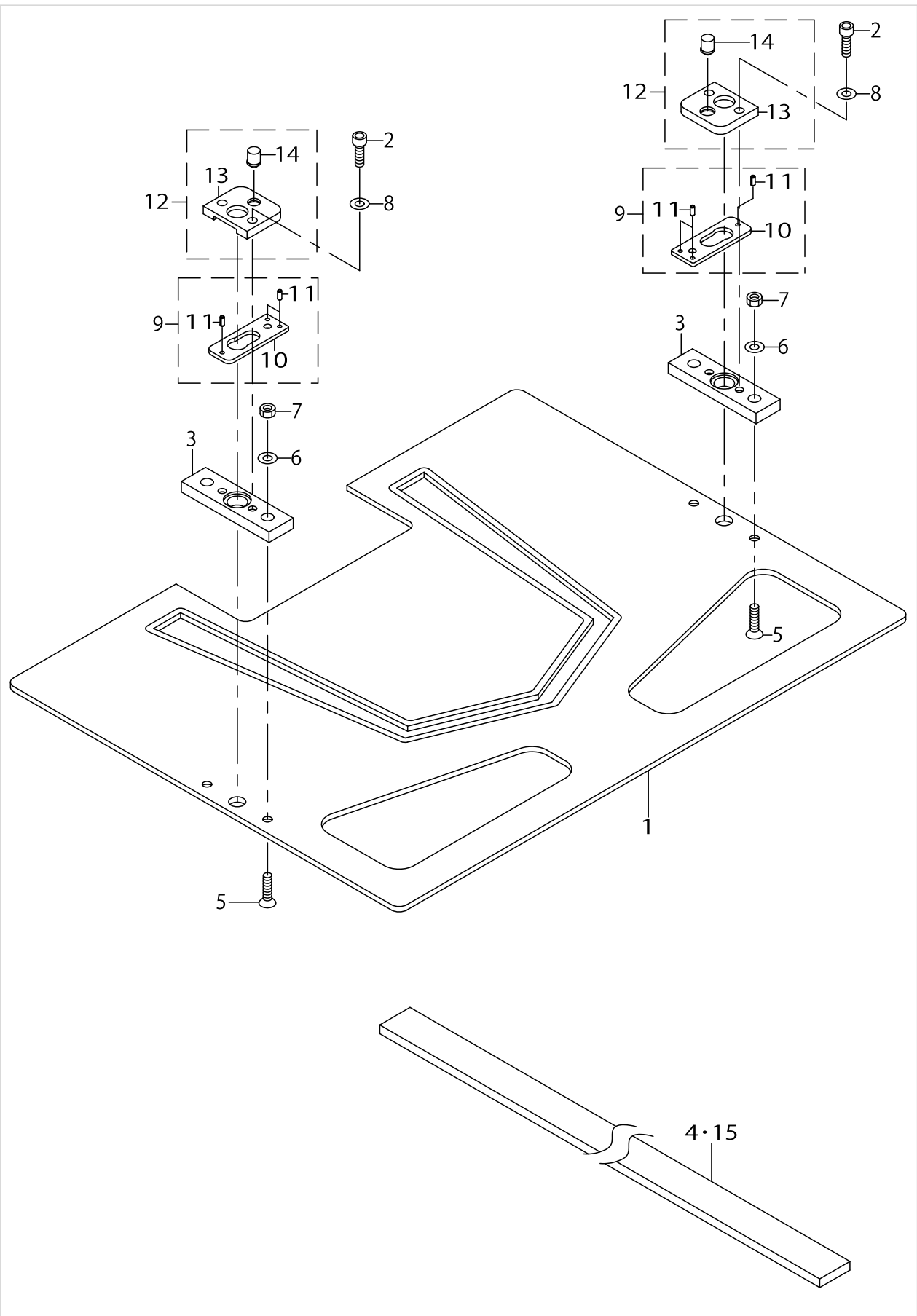
FORM PLATE GAGE COMPONENTS



FORM PLATE GAGE COMPONENTS

| No. | Supply Code | Parts No.   | Replacement | Parts name                    | Remarks | Choice | Step | Level | Cons | Qty | Rep. QTY |
|-----|-------------|-------------|-------------|-------------------------------|---------|--------|------|-------|------|-----|----------|
| 1   | D           | G6331875000 |             | TEMPLATE                      |         |        |      |       |      | 1   |          |
| 2   |             | G6332875000 |             | TEMPLATE FITTING PLATE        |         |        |      |       |      | 1   |          |
| 3   |             | G6110875000 |             | LOCATING PLATE                |         |        |      |       |      | 1   |          |
| 4   |             | G6114875000 |             | POCKET CLOTH LOCATING PLATE A |         |        |      |       |      | 1   |          |
| 5   |             | G6115875000 |             | LOCATING PLATE, LEFT          |         |        |      |       |      | 1   |          |
| 6   |             | G6116875000 |             | LOCATING PLATE, RIGHT         |         |        |      |       |      | 1   |          |
| 7   |             | G6019870000 |             | ONE TOUCH LOCK PLATE          |         |        |      |       |      | 1   |          |
| 8   |             | G6111870000 |             | POCKET PRESSER SPRING         |         |        |      |       |      | 2   |          |
| 9   |             | SS6090420SP |             | SCREW 9/64-40 L=4.0           |         |        |      |       |      | 4   |          |
| 10  |             | SS2111010TP |             | SCREW 11/64-40 L=9.5          |         |        |      |       |      | 4   |          |
| 11  |             | SS6110480SP |             | SCREW 11/64-40 L=4.3          |         |        |      |       |      | 4   |          |
| 12  |             | SM1051601SC |             | SCREW M5X0.8 L=16             |         |        |      |       |      | 2   |          |
| 13  |             | SM6061602TN |             | SCREW M6 L=16                 |         |        |      |       |      | 2   |          |
| 14  |             | WP0410846SC |             | WASHER                        |         |        |      |       |      | 4   |          |
| 15  |             | WP0480856SP |             | WASHER 4.8X8.4X0.8            |         |        |      |       |      | 6   |          |
| 16  |             | WP0641601SC |             | WASHER                        |         |        |      |       |      | 2   |          |
| 17  |             | NS6110360SP |             | NUT                           |         |        |      |       |      | 4   |          |
| 18  |             | SS6110480SP |             | SCREW 11/64-40 L=4.3          |         |        |      |       |      | 2   |          |
| 19  |             | WP0371036SD |             | WASHER 3.7X6X1                |         |        |      |       |      | 4   |          |
| 20  |             | G920187500A |             | LABEL CYLINDER FITTING PLATE  |         |        |      |       |      | 1   |          |
| 21  |             | G9202875000 |             | LABEL FITTING PLATE           |         |        |      |       |      | 1   |          |
| 22  |             | G9203875000 |             | LABEL PRESSER PLATE           |         |        |      |       |      | 1   |          |
| 23  |             | G9204875000 |             | LABEL SUPPORT PLATE           |         |        |      |       |      | 1   |          |
| 24  |             | G9205875000 |             | LABEL PRESSER SHAFT           |         |        |      |       |      | 1   |          |
| 25  |             | PA060400100 |             | AIR CYLINDER                  |         |        |      |       |      | 1   |          |
| 26  |             | SM1051601SC |             | SCREW M5X0.8 L=16             |         |        |      |       |      | 2   |          |
| 27  |             | WP0531001SC |             | WASHER                        |         |        |      |       |      | 2   |          |
| 28  |             | NM6050001SC |             | NUT M5                        |         |        |      |       |      | 2   |          |
| 29  |             | SM6031602TN |             | SCREW M3 L=16                 |         |        |      |       |      | 2   |          |
| 30  |             | SM6030802TN |             | BOLT                          |         |        |      |       |      | 2   |          |
| 31  |             | WP0320501SC |             | WASHER M3                     |         |        |      |       |      | 2   |          |
| 32  |             | SS2080310SP |             | SCREW                         |         |        |      |       |      | 2   |          |
| 33  |             | PJ046052503 |             | HOSE ELBOW                    |         |        |      |       |      | 2   |          |

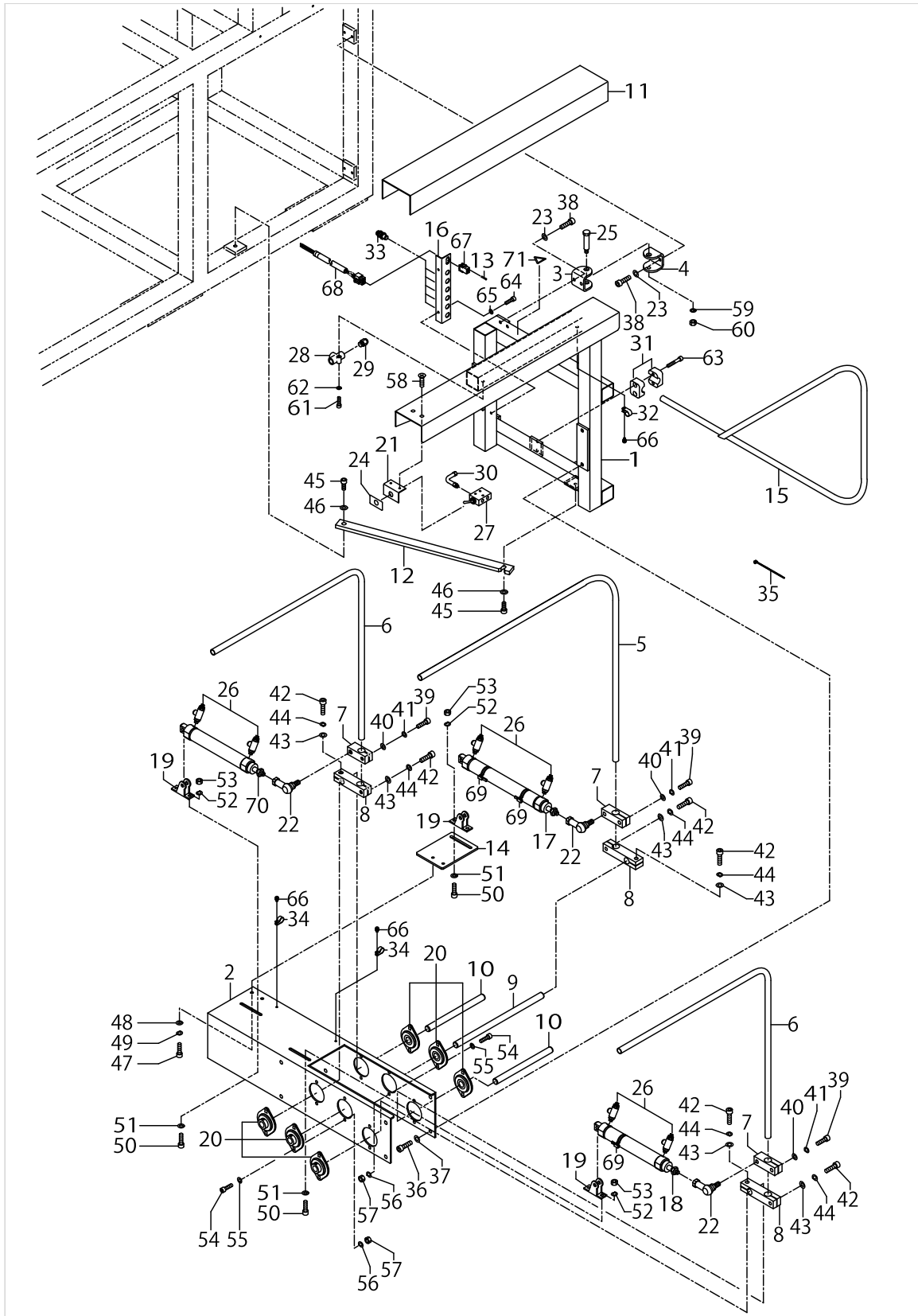
PRESSER GAGE COMPONENTS



PRESSER GAGE COMPONENTS

| No. | Supply Code | Parts No.    | Replacement | Parts name                          | Remarks         | Choice | Step | Level | Cons | Qty | Rep. QTY |
|-----|-------------|--------------|-------------|-------------------------------------|-----------------|--------|------|-------|------|-----|----------|
| 1   |             | G6335875000  |             | PRESSER PLATE (SPECIAL)             |                 |        |      |       |      | 1   |          |
| 2   |             | SM6041002TN  |             | BOLT                                |                 |        |      |       |      | 4   |          |
| 3   |             | G6112875000  |             | BALL CATCH                          |                 |        |      |       |      | 2   |          |
| 4   |             | G6113875000  |             | CLOTH PRESSER SPONGE                | SELECTIVE PARTS |        |      |       |      | 1   |          |
| 5   |             | SM1041601SC  |             | SCREW M4X0.7 L=16                   |                 |        |      |       |      | 4   |          |
| 6   |             | WP0430801SC  |             | WASHER 4.3X9X0.8                    |                 |        |      |       |      | 4   |          |
| 7   |             | NM6040001SC  |             | NUT M4                              |                 |        |      |       |      | 4   |          |
| 8   |             | WP0430801SC  |             | WASHER 4.3X9X0.8                    |                 |        |      |       |      | 4   |          |
| 9   |             | G61208750A0  |             | BALL SUPPORT ASM.                   |                 |        |      |       |      | 2   |          |
| 10  | R           | G6120875000A | G61208750A0 | BALL SUPPORT                        |                 |        |      | *     |      | 1   | 1.00     |
| 11  |             | PS0200052KH  |             | SPRING PIN 2.3X5                    |                 |        |      | *     |      | 3   |          |
| 12  |             | G61198750A0  |             | BALL SUPPORT FIX-<br>ING PLATE ASM. |                 |        |      |       |      | 2   |          |
| 13  | R           | G6119875000A | G61198750A0 | BALL SUPPORT FIXING PLATE           |                 |        |      | *     |      | 1   | 1.00     |
| 14  |             | G6122875000  |             | BALL SUPPORT PLUNGER                |                 |        |      | *     |      | 1   |          |
| 15  |             | G611387500A  |             | CLOTH PRESSER SPONGE A              | SELECTIVE PARTS |        |      |       |      | 1   |          |

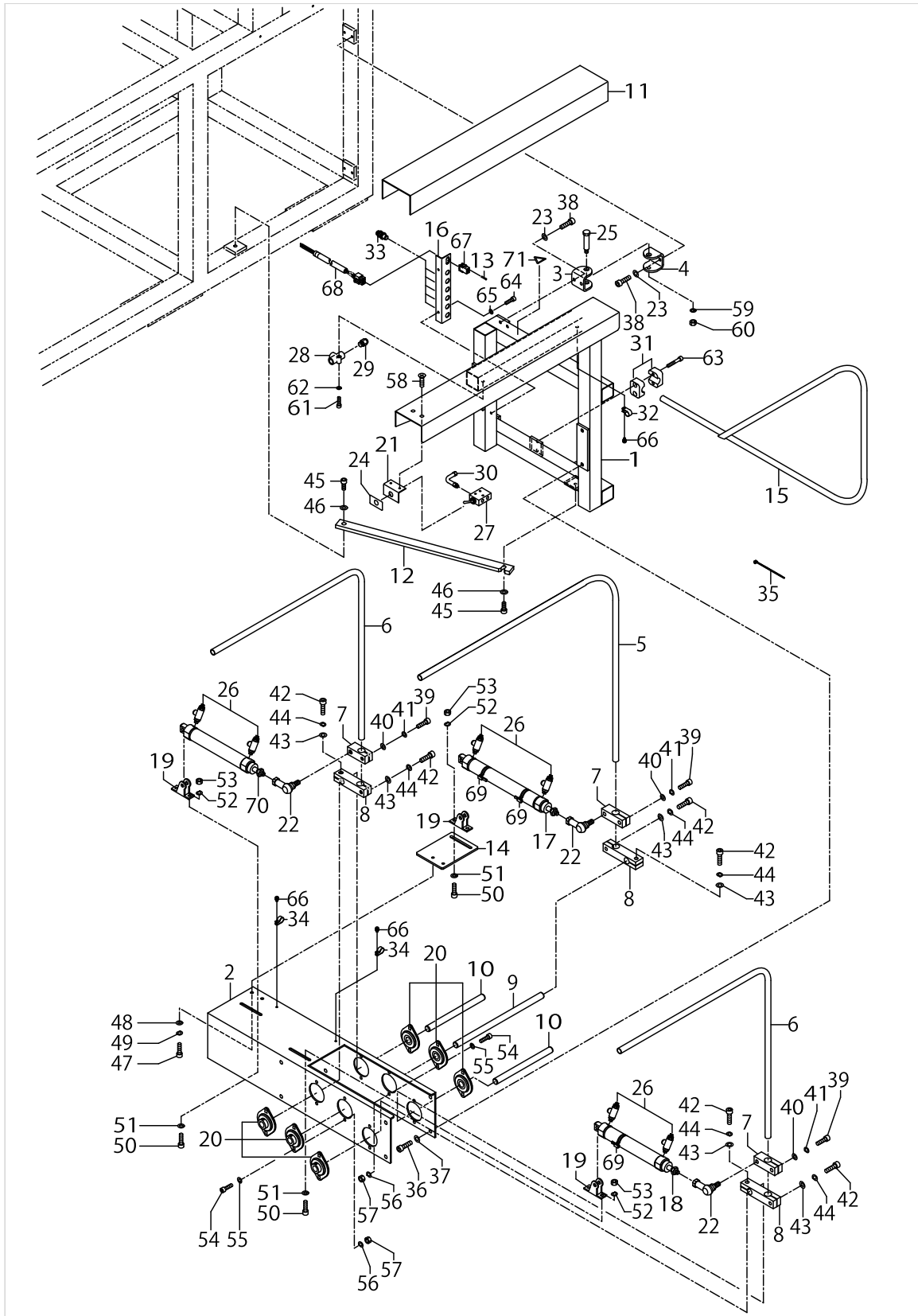
STACKER COMPONENTS



STACKER COMPONENTS

| No. | Supply Code | Parts No.   | Replacement | Parts name                      | Remarks | Choice | Step | Level | Cons | Qty | Rep. QTY |
|-----|-------------|-------------|-------------|---------------------------------|---------|--------|------|-------|------|-----|----------|
| 1   |             | G7501875000 |             | STACKER STAND                   |         |        |      |       |      | 1   |          |
| 2   |             | G7502875000 |             | STACKER FRAME                   |         |        |      |       |      | 1   |          |
| 3   |             | G7503875000 |             | STACKER HINGE A                 |         |        |      |       |      | 2   |          |
| 4   |             | G7504875000 |             | STACKER HINGE B                 |         |        |      |       |      | 2   |          |
| 5   |             | G7505875000 |             | CLOTH BRUSH ARM                 |         |        |      |       |      | 1   |          |
| 6   |             | G7506875000 |             | CLOTH PRESSER ARM               |         |        |      |       |      | 2   |          |
| 7   |             | G7507875000 |             | ARM FIXING PLATE                |         |        |      |       |      | 3   |          |
| 8   |             | G7508875000 |             | ARM ROCKING PLATE               |         |        |      |       |      | 3   |          |
| 9   |             | G7509875000 |             | CLOTH BRUSH SHAFT               |         |        |      |       |      | 1   |          |
| 10  |             | G7510875000 |             | CLOTH PRESSER SHAFT             |         |        |      |       |      | 2   |          |
| 11  |             | G7511875000 |             | STACKER TABLE RUBBER            |         |        |      |       |      | 1   |          |
| 12  |             | G7512875000 |             | STACKER FRAME FIXING PLATE      |         |        |      |       |      | 1   |          |
| 13  |             | HK03463000A |             | TERMINAL                        |         |        |      |       |      | 6   |          |
| 14  |             | G7514875000 |             | ADJUSTING PLATE                 |         |        |      |       |      | 1   |          |
| 15  |             | G7515875000 |             | GUARD PIPE                      |         |        |      |       |      | 1   |          |
| 16  |             | G7516875000 |             | RELAY PLATE                     |         |        |      |       |      | 1   |          |
| 17  |             | PA2520003A0 |             | AIR CYLINDER                    |         |        |      |       |      | 1   |          |
| 18  |             | PA2515004A0 |             | AIR CYLINDER                    |         |        |      |       |      | 1   |          |
| 19  |             | PA900060000 |             | CLEVIS HOLDER                   |         |        |      |       |      | 3   |          |
| 20  |             | G7513870000 |             | SHAFT HOLDER UNIT               |         |        |      |       |      | 6   |          |
| 21  |             | G7523870000 |             | STACK OPEN SWITCH FITTING PLATE |         |        |      |       |      | 1   |          |
| 22  |             | G6118870000 |             | SHAPE REMOVING BALL             |         |        |      |       |      | 3   |          |
| 23  |             | WP0641601SC |             | WASHER                          |         |        |      |       |      | 8   |          |
| 24  |             | G5519164000 |             | STACKER OPEN SWITCH LABEL       |         |        |      |       |      | 1   |          |
| 25  |             | SD1204315SE |             | HINGE SCREW D=12 H=43.1         |         |        |      |       |      | 2   |          |
| 26  |             | PC015108000 |             | SPEED CONTROLLER                |         |        |      |       |      | 6   |          |
| 27  |             | PV015110000 |             | AIR VALVE                       |         |        |      |       |      | 1   |          |
| 28  |             | PV205101000 |             | SHUTTLE VALVE                   |         |        |      |       |      | 1   |          |
| 29  |             | PJ301045101 |             | HALF UNION                      |         |        |      |       |      | 3   |          |
| 30  |             | PJ304045102 |             | ELBOW UNION, C                  |         |        |      |       |      | 3   |          |
| 31  |             | G7524870000 |             | PIPE CLAMP MAIN BODY            |         |        |      |       |      | 4   |          |
| 32  |             | HX00150000E |             | CORD PRESSER 3--POLE (220/240V) |         |        |      |       |      | 1   |          |
| 33  |             | PJ302040001 |             | UNION                           |         |        |      |       |      | 6   |          |
| 34  |             | HX00150000G |             | CABLE CLIP                      |         |        |      |       |      | 2   |          |
| 35  |             | EA9500B0100 |             | CABLE BAND                      |         |        |      |       |      | 12  |          |
| 36  |             | SM6082002TN |             | SCREW M8 L=20                   |         |        |      |       |      | 4   |          |
| 37  |             | WP0841601SC |             | WASHER 8.4X17.4X1.6             |         |        |      |       |      | 4   |          |
| 38  |             | SM6061602TN |             | SCREW M6 L=16                   |         |        |      |       |      | 8   |          |
| 39  |             | SM6082502TN |             | BOLT                            |         |        |      |       |      | 3   |          |
| 40  |             | WP0841601SC |             | WASHER 8.4X17.4X1.6             |         |        |      |       |      | 3   |          |
| 41  |             | WS0820002KN |             | SPRING WASHER M8                |         |        |      |       |      | 3   |          |
| 42  |             | SM6082502TN |             | BOLT                            |         |        |      |       |      | 6   |          |
| 43  |             | WP0841601SC |             | WASHER 8.4X17.4X1.6             |         |        |      |       |      | 6   |          |
| 44  |             | WS0820002KN |             | SPRING WASHER M8                |         |        |      |       |      | 6   |          |
| 45  |             | SM6082002TN |             | SCREW M8 L=20                   |         |        |      |       |      | 2   |          |

STACKER COMPONENTS

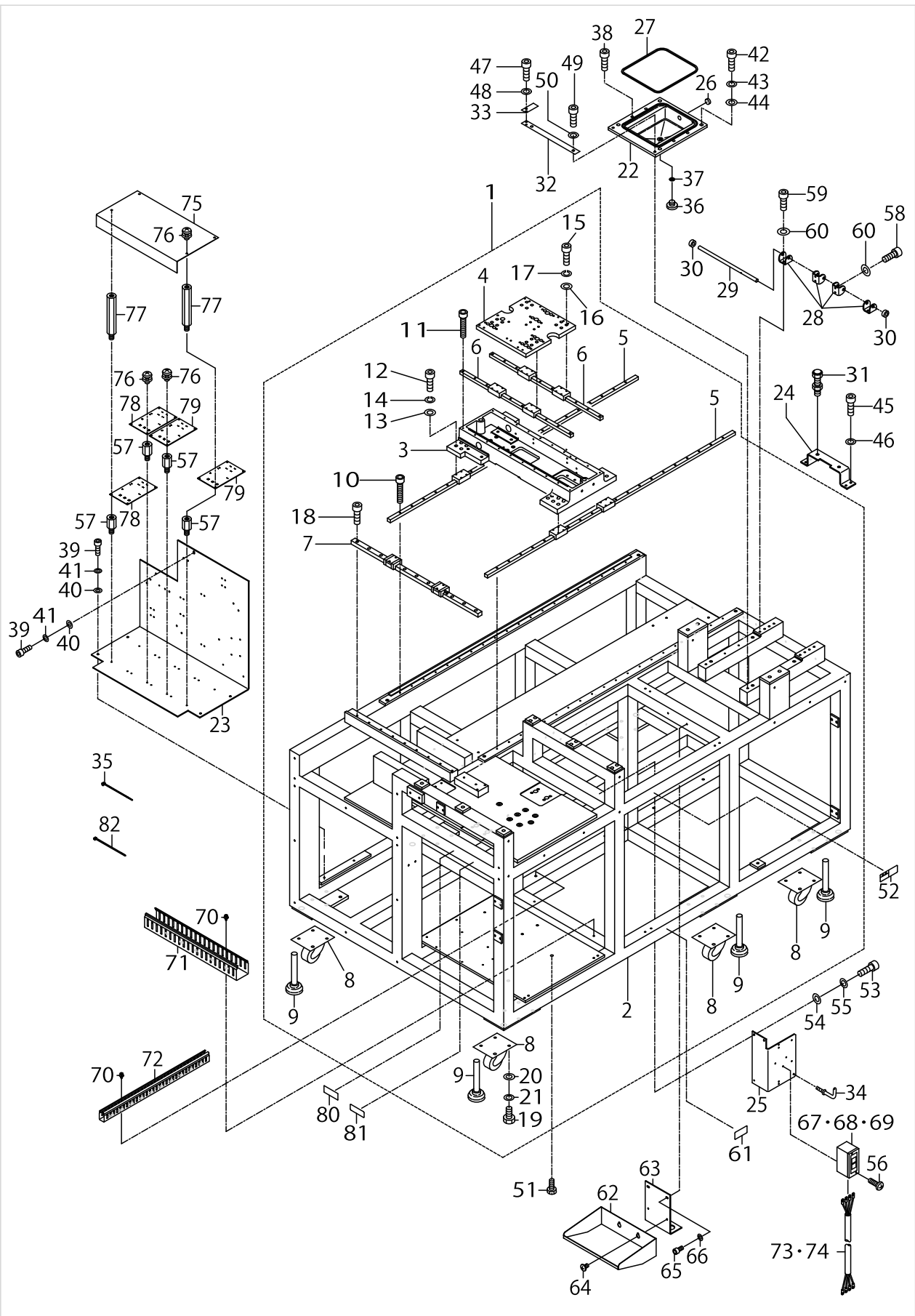


STACKER COMPONENTS

| No. | Supply Code | Parts No.   | Replacement | Parts name                  | Remarks                               | Choice | Step | Level | Cons | Qty | Rep. QTY |
|-----|-------------|-------------|-------------|-----------------------------|---------------------------------------|--------|------|-------|------|-----|----------|
| 46  |             | WP0841601SC |             | WASHER 8.4X17.4X1.6         |                                       |        |      |       |      | 2   |          |
| 47  |             | SM6061202TN |             | BOLT                        |                                       |        |      |       |      | 2   |          |
| 48  |             | WP0641601SC |             | WASHER                      |                                       |        |      |       |      | 2   |          |
| 49  |             | WS0610002KN |             | SPRING WASHER 6.1X12.2X1.5  |                                       |        |      |       |      | 2   |          |
| 50  |             | SM6061602TN |             | SCREW M6 L=16               |                                       |        |      |       |      | 6   |          |
| 51  |             | WP0641601SC |             | WASHER                      |                                       |        |      |       |      | 6   |          |
| 52  |             | WS0610002KN |             | SPRING WASHER 6.1X12.2X1.5  |                                       |        |      |       |      | 6   |          |
| 53  |             | NM6060001SC |             | NUT M6                      |                                       |        |      |       |      | 6   |          |
| 54  |             | SM6061602TN |             | SCREW M6 L=16               |                                       |        |      |       |      | 12  |          |
| 55  |             | WP0641601SC |             | WASHER                      |                                       |        |      |       |      | 12  |          |
| 56  |             | WS0610002KN |             | SPRING WASHER 6.1X12.2X1.5  |                                       |        |      |       |      | 12  |          |
| 57  |             | NM6060001SC |             | NUT M6                      |                                       |        |      |       |      | 12  |          |
| 58  |             | SM1040601SC |             | SCREW M4X0.7 L=6            |                                       |        |      |       |      | 2   |          |
| 59  |             | WP0841601SC |             | WASHER 8.4X17.4X1.6         |                                       |        |      |       |      | 2   |          |
| 60  |             | NM6080001SC |             | NUT M8X1.25                 |                                       |        |      |       |      | 2   |          |
| 61  |             | SM6042502TN |             | SCREW M4X0.7 L=25           |                                       |        |      |       |      | 1   |          |
| 62  |             | WP0430801SC |             | WASHER 4.3X9X0.8            |                                       |        |      |       |      | 1   |          |
| 63  | R           | SM6063502TN | SM6063502TP | HEXAGONAL-HOLE BOLT M6 L=35 |                                       |        |      |       |      | 4   | 1.00     |
| 64  |             | SM6040602TN |             | BOLT                        |                                       |        |      |       |      | 2   |          |
| 65  |             | WP0430801SC |             | WASHER 4.3X9X0.8            |                                       |        |      |       |      | 2   |          |
| 66  |             | SL4041091SC |             | SCREW M4 L=10               |                                       |        |      |       |      | 3   |          |
| 67  |             | HK034620060 |             | PLUG 6P                     |                                       |        |      |       |      | 1   |          |
| 68  |             | M85365750A0 |             | STACKER SENSOR CORD ASM.    |                                       |        |      |       |      | 1   |          |
| 69  |             | PX060029000 |             | AUTO-SWITCH                 | PARTS NO. OF AIR CYLINDER ACCESSORIES |        |      |       |      | 3   |          |
| 70  |             | PA2515005A0 |             | AIR CYLINDER                |                                       |        |      |       |      | 1   |          |
| 71  |             | CM300200003 |             | ATTENTION LABEL             |                                       |        |      |       |      | 1   |          |



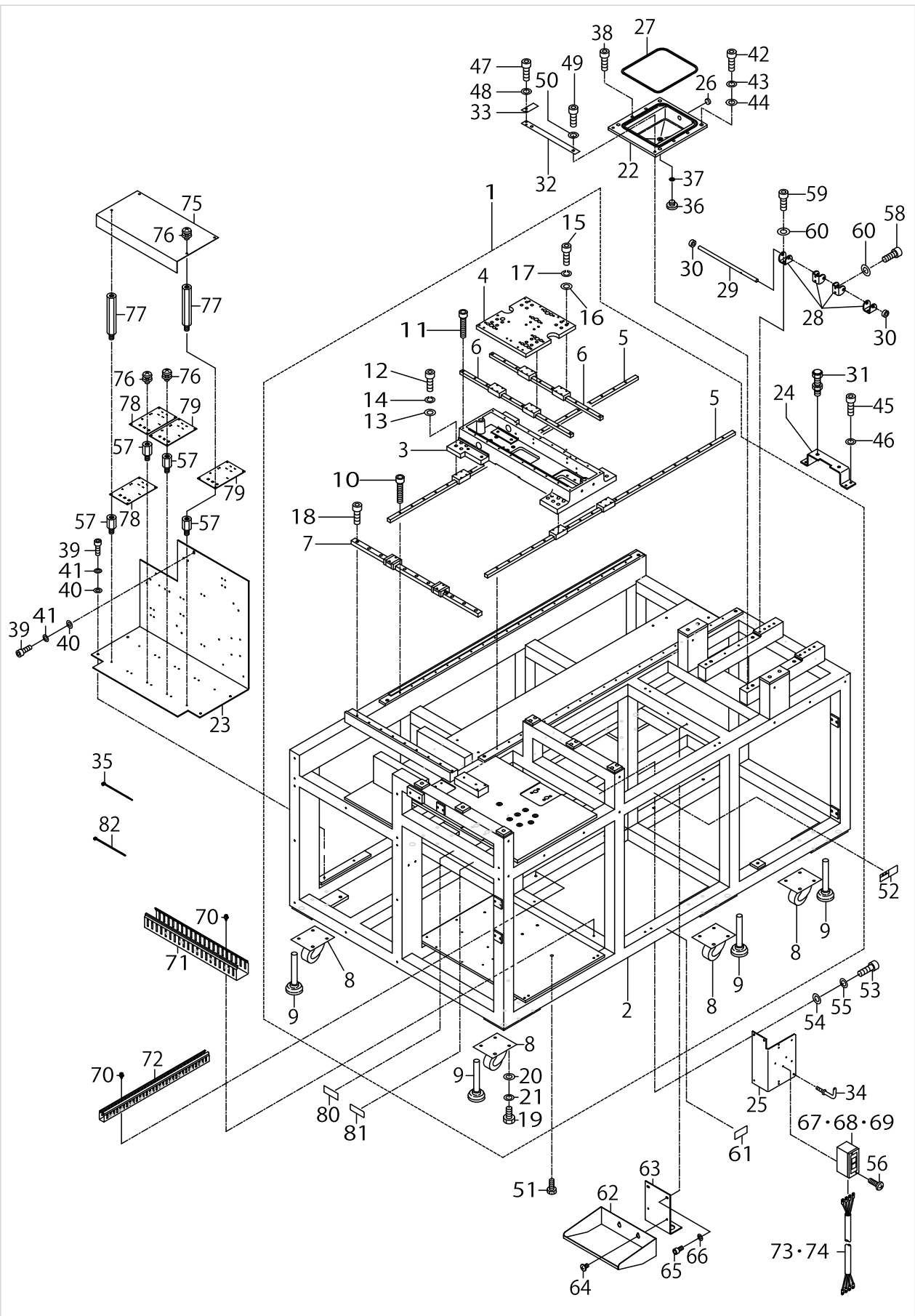
MAIN BODY FRAME COMPONENTS(1)



MAIN BODY FRAME COMPONENTS(1)

| No. | Supply Code | Parts No.    | Replacement | Parts name                          | Remarks | Choice | Step | Level | Cons | Qty | Rep. QTY |
|-----|-------------|--------------|-------------|-------------------------------------|---------|--------|------|-------|------|-----|----------|
| 1   |             | G80018750A0  |             | FRAME ASM.                          |         |        |      |       |      | 1   |          |
| 2   |             | G8001875000  |             | FRAME                               |         |        |      | *     |      | 1   |          |
| 3   |             | G8002875000  |             | X MOVING BASE                       |         |        |      | *     |      | 1   |          |
| 4   |             | G8003875000  |             | Y MOVING BASE                       |         |        |      | *     |      | 1   |          |
| 5   |             | G8004875000  |             | XLM GUIDE                           |         |        |      | *     |      | 2   |          |
| 6   |             | G8005875000  |             | YLM GUIDE                           |         |        |      | *     |      | 2   |          |
| 7   |             | G6117870000  |             | TEMPLER RENEAR GUIDE                |         |        |      | *     |      | 1   |          |
| 8   |             | G5006870000  |             | CASTER                              |         |        |      | *     |      | 6   |          |
| 9   |             | G5030171000  |             | ADJUSTING BOLT                      |         |        |      | *     |      | 6   |          |
| 10  |             | SM6042002TN  |             | BOLT                                |         |        |      | *     |      | 40  |          |
| 11  |             | SM6042002TN  |             | BOLT                                |         |        |      | *     |      | 20  |          |
| 12  |             | SM6041602TN  |             | SCREW M4 X 16                       |         |        |      | *     |      | 16  |          |
| 13  |             | WP0430801SC  |             | WASHER 4.3X9X0.8                    |         |        |      | *     |      | 16  |          |
| 14  |             | WS0410002KN  |             | SPRING WASHER                       |         |        |      | *     |      | 16  |          |
| 15  |             | SM6041602TN  |             | SCREW M4 X 16                       |         |        |      | *     |      | 16  |          |
| 16  |             | WP0430801SC  |             | WASHER 4.3X9X0.8                    |         |        |      | *     |      | 16  |          |
| 17  |             | WS0410002KN  |             | SPRING WASHER                       |         |        |      | *     |      | 16  |          |
| 18  |             | SM6051602TN  |             | BOLT                                |         |        |      | *     |      | 11  |          |
| 19  |             | SM9102003SB  |             | SCREW M10 L=20                      |         |        |      | *     |      | 24  |          |
| 20  |             | WP1052000SC  |             | WASHER 10.5X18X2                    |         |        |      | *     |      | 24  |          |
| 21  |             | WS1020002KN  |             | SPRING WASHER M10                   |         |        |      | *     |      | 24  |          |
| 22  |             | G8008875000  |             | OIL PAN                             |         |        |      |       |      | 1   |          |
| 23  |             | G8009875000  |             | FITTING PLATE                       |         |        |      |       |      | 1   |          |
| 24  |             | G8011875000  |             | ARM STOPPER                         |         |        |      |       |      | 1   |          |
| 25  |             | 40013846     |             | POWER SOURCE B-<br>OX FITTING PLATE |         |        |      |       |      | 1   |          |
| 26  |             | B1172581000A |             | OIL GAUGE                           |         |        |      |       |      | 1   |          |
| 27  |             | G1106870000  |             | HEAD FIXING BASE O RING             |         |        |      |       |      | 1   |          |
| 28  |             | G7503875000  |             | STACKER HINGE A                     |         |        |      |       |      | 4   |          |
| 29  |             | 13724505     |             | WORK CLAMP ARM SLIDE ROD            |         |        |      |       |      | 1   |          |
| 30  |             | CS1201010SH  |             | THRUST COLLAR ASM. D=12 W=10        |         |        |      |       |      | 2   |          |
| 31  |             | G5510875000  |             | Z STOPPER                           |         |        |      |       |      | 2   |          |
| 32  |             | G8011870000  |             | BED STOPPER A                       |         |        |      |       |      | 1   |          |
| 33  |             | G8012870000  |             | BED STOPPER B                       |         |        |      |       |      | 1   |          |
| 34  |             | G5026162000  |             | HOOK                                |         |        |      |       |      | 1   |          |
| 35  |             | EA9500B0100  |             | CABLE BAND                          |         |        |      |       |      | 2   |          |
| 36  |             | SS7740740SP  |             | SCREW 3/8-28 L= 6.5                 |         |        |      |       |      | 1   |          |
| 37  |             | B8219125000  |             | OIL DRAIN CAP GASKET                |         |        |      |       |      | 1   |          |
| 38  |             | SM6041202TN  |             | SCREW M4X0.7 L=12                   |         |        |      |       |      | 4   |          |
| 39  |             | SM6051602TN  |             | BOLT                                |         |        |      |       |      | 5   |          |
| 40  |             | WP0531001SC  |             | WASHER                              |         |        |      |       |      | 5   |          |
| 41  |             | WS0510002KN  |             | SPRING WASHER                       |         |        |      |       |      | 5   |          |
| 42  |             | SM6104502TP  |             | SCREW M10 L=45                      |         |        |      |       |      | 4   |          |
| 43  |             | WS1020002KN  |             | SPRING WASHER M10                   |         |        |      |       |      | 4   |          |
| 44  |             | WP1052001SC  |             | WASHER 10,5X21X2                    |         |        |      |       |      | 4   |          |
| 45  |             | SM6061402TN  |             | BOLT                                |         |        |      |       |      | 4   |          |
| 46  |             | WP0641601SC  |             | WASHER                              |         |        |      |       |      | 4   |          |

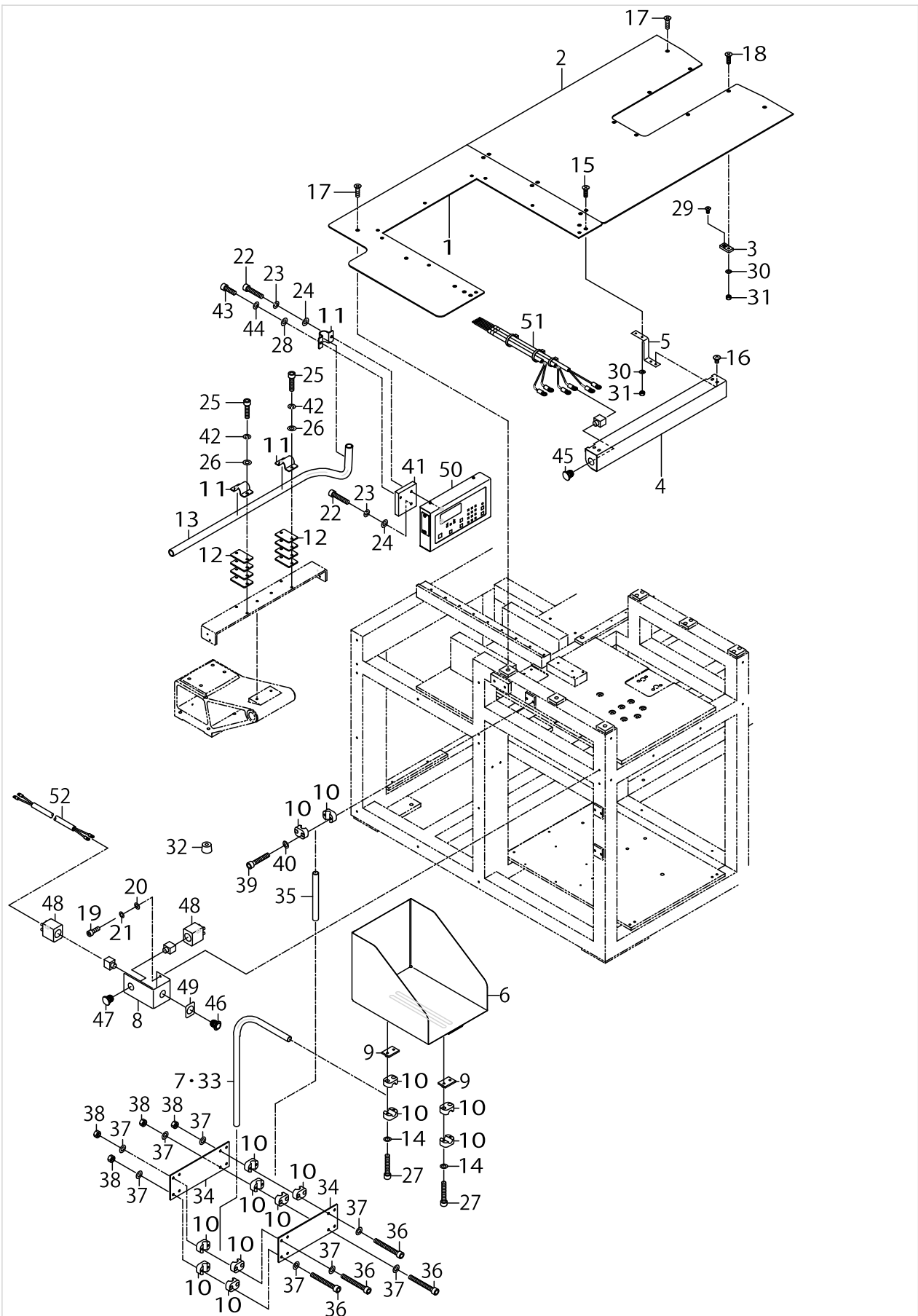
MAIN BODY FRAME COMPONENTS(1)



MAIN BODY FRAME COMPONENTS(1)

| No. | Supply Code | Parts No.   | Replacement | Parts name                         | Remarks          | Choice | Step | Level | Cons | Qty | Rep. QTY |
|-----|-------------|-------------|-------------|------------------------------------|------------------|--------|------|-------|------|-----|----------|
| 47  |             | SM6061602TN |             | SCREW M6 L=16                      |                  |        |      |       |      | 2   |          |
| 48  |             | WP0641601SC |             | WASHER                             |                  |        |      |       |      | 2   |          |
| 49  |             | SM6062502TN |             | HEXAGONAL-HOLE BOLT                |                  |        |      |       |      | 2   |          |
| 50  |             | WP0641601SC |             | WASHER                             |                  |        |      |       |      | 2   |          |
| 51  |             | SL9082093SE |             | SCREW                              |                  |        |      |       |      | 2   |          |
| 52  |             | CM301300001 |             | SAFETY LABEL                       |                  |        |      |       |      | 1   |          |
| 53  |             | SM6051602TN |             | BOLT                               |                  |        |      |       |      | 2   |          |
| 54  |             | WP0531001SC |             | WASHER                             |                  |        |      |       |      | 2   |          |
| 55  |             | WS0510002KN |             | SPRING WASHER                      |                  |        |      |       |      | 2   |          |
| 56  |             | SL4041281SC |             | SCREW M4X0.7 L=12                  |                  |        |      |       |      | 2   |          |
| 57  |             | HX003390000 |             | STUD                               |                  |        |      |       |      | 16  |          |
| 58  |             | SM6061602TN |             | SCREW M6 L=16                      |                  |        |      |       |      | 4   |          |
| 59  |             | SM6061402TN |             | BOLT                               |                  |        |      |       |      | 4   |          |
| 60  |             | WP0641601SC |             | WASHER                             |                  |        |      |       |      | 8   |          |
| 61  |             | 16870206    |             | GRAVITY SEAL                       |                  |        |      |       |      | 2   |          |
| 62  |             | G8113875000 |             | OIL RESERVOIR                      |                  |        |      |       |      | 1   |          |
| 63  |             | G8114875000 |             | OIL RESERVOIR FITTING PLATE        |                  |        |      |       |      | 1   |          |
| 64  |             | SM0050801SC |             | SCREW                              |                  |        |      |       |      | 2   |          |
| 65  |             | SM6051002TN |             | BOLT                               |                  |        |      |       |      | 2   |          |
| 66  |             | WP0531001SC |             | WASHER                             |                  |        |      |       |      | 2   |          |
| 67  |             | HA003970000 |             | SWITCH                             |                  |        |      |       |      | 1   |          |
| 68  | D           | HA003550000 |             | SWITCH                             | FOR JE           |        |      |       |      | 1   |          |
| 69  | D           | M8906570000 |             | POWER SWITCH, A                    | FOR SINGLE PHASE |        |      |       |      | 1   |          |
| 70  |             | HX004120000 |             | PCB PARTS                          |                  |        |      |       |      | 4   |          |
| 71  |             | HX00013000C |             | CABLE PART                         |                  |        |      |       |      | .5  |          |
| 72  |             | HX00013000A |             | CABLE CLIP                         |                  |        |      |       |      | .6  |          |
| 73  |             | M85285750A0 |             | POWER SOURCE CABLE ASM.            |                  |        |      |       |      | 1   |          |
| 74  |             | M85245700A0 |             | POWER CABLE ASM.                   | FOR SINGLE PHASE |        |      |       |      | 1   |          |
| 75  |             | M1020575000 |             | TERMINAL BASE COVER                |                  |        |      |       |      | 1   |          |
| 76  |             | SL4040881SC |             | SCREW M4 L=8                       |                  |        |      |       |      | 16  |          |
| 77  |             | HX00339000D |             | SPACER                             |                  |        |      |       |      | 4   |          |
| 78  |             | M8605570AA0 |             | TERMINAL BASE A ASM.               |                  |        |      |       |      | 2   |          |
| 79  |             | M8605570CA0 |             | TERMINAL BASE C ASM.               |                  |        |      |       |      | 2   |          |
| 80  |             | CM500000001 |             | POWER SOURCE IN-<br>DICATION LABEL | FOR JE           |        |      |       |      | 1   |          |
| 81  |             | CM500100001 |             | CE MARKING LABEL                   | FOR JE           |        |      |       |      | 1   |          |
| 82  |             | G5453161000 |             | CABLE BAND                         |                  |        |      |       |      | 22  |          |

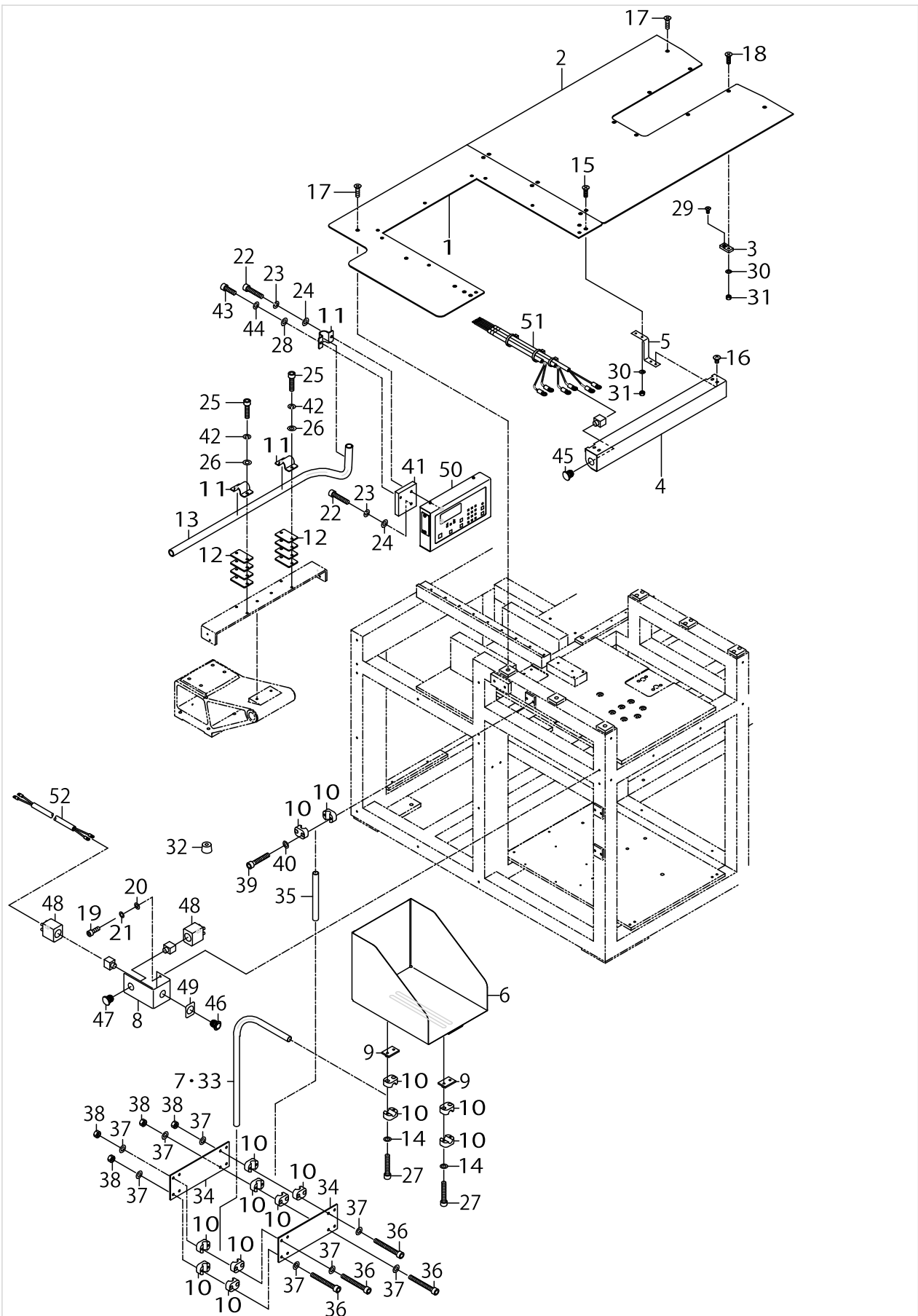
MAIN BODY FRAME COMPONENTS(2)



MAIN BODY FRAME COMPONENTS(2)

| No. | Supply Code | Parts No.   | Replacement | Parts name                    | Remarks                       | Choice | Step | Level | Cons | Qty  | Rep. QTY |
|-----|-------------|-------------|-------------|-------------------------------|-------------------------------|--------|------|-------|------|------|----------|
| 1   |             | G8006875000 |             | TABLE A                       |                               |        |      |       |      | 1    |          |
| 2   |             | G8007875000 |             | TABLE B                       |                               |        |      |       |      | 1    |          |
| 3   |             | G8010875000 |             | THROAT PLATE FIXING PLATE     |                               |        |      |       |      | 6    |          |
| 4   |             | G8013875000 |             | START SW FITTING PLATE        |                               |        |      |       |      | 1    |          |
| 5   |             | G8014875000 |             | START SW FIXING PLATE         |                               |        |      |       |      | 2    |          |
| 6   |             | G8015875000 |             | POCKET PUT BASE               |                               |        |      |       |      | 1    |          |
| 7   |             | G8016875000 |             | POCKET PUT BASE PIPE          | VARIOUS NOS. FOR DESTINATIONS |        |      |       |      | 1    |          |
| 8   |             | G8017875000 |             | SWITCH FITTING PLATE          |                               |        |      |       |      | 1    |          |
| 9   |             | G7525870000 |             | PIPE CLAMP LOWER PLATE        |                               |        |      |       |      | 2    |          |
| 10  |             | G7524870000 |             | PIPE CLAMP MAIN BODY          |                               |        |      |       |      | 14   |          |
| 11  |             | G1015192000 |             | CLAMP                         |                               |        |      |       |      | 3    |          |
| 12  |             | G1016192000 |             | CLAMP BOTTOM PLATE            |                               |        |      |       |      | 8    |          |
| 13  |             | G5523127000 |             | OPERATION PANEL PIPE          |                               |        |      |       |      | 1    |          |
| 14  |             | WP0641600SC |             | WASHEW6.4X12.5X1.6            |                               |        |      |       |      | 6    |          |
| 15  |             | SM1051601SC |             | SCREW M5X0.8 L=16             |                               |        |      |       |      | 4    |          |
| 16  |             | SM0050801SC |             | SCREW                         |                               |        |      |       |      | 4    |          |
| 17  |             | SM1051201SC |             | SCREW M5X0.8 L=12             |                               |        |      |       |      | 11   |          |
| 18  |             | SM1051601SC |             | SCREW M5X0.8 L=16             |                               |        |      |       |      | 6    |          |
| 19  |             | SM6051402TN |             | HEXAGONAL-HOLE BOLT M5 L=14   |                               |        |      |       |      | 2    |          |
| 20  |             | WP0531001SC |             | WASHER                        |                               |        |      |       |      | 2    |          |
| 21  |             | WS0510002KN |             | SPRING WASHER                 |                               |        |      |       | 2    |      |          |
| 22  |             | SM6063002TN |             | SCREW M6 L=30                 |                               |        |      |       | 2    |      |          |
| 23  |             | WS0610002KN |             | SPRING WASHER 6.1X12.2X1.5    |                               |        |      |       | 2    |      |          |
| 24  |             | WP0641601SC |             | WASHER                        |                               |        |      |       | 2    |      |          |
| 25  |             | SM6062502TN |             | HEXAGONAL-HOLE BOLT           |                               |        |      |       | 4    |      |          |
| 26  |             | WP0641601SC |             | WASHER                        |                               |        |      |       | 4    |      |          |
| 27  | R           | SM6063502TN | SM6063502TP | HEXAGONAL-HOLE BOLT M6 L=35   |                               |        |      |       | 4    | 1.00 |          |
| 28  |             | WP0641601SC |             | WASHER                        |                               |        |      |       | 1    |      |          |
| 29  |             | SM1040801SP |             | SCREW M4X0.7 L=8              |                               |        |      |       | 6    |      |          |
| 30  |             | WP0531001SC |             | WASHER                        |                               |        |      |       | 10   |      |          |
| 31  |             | NM6050001SC |             | NUT M5                        |                               |        |      |       | 10   |      |          |
| 32  |             | B1152850000 |             | CUSHION RUBBER                |                               |        |      |       | 1    |      |          |
| 33  |             | G7515870000 |             | GARMENT PRESSER HOLDER PIPE   |                               |        |      |       | 1    |      |          |
| 34  |             | G8018875000 |             | POCKET PUT BASE SUPPORT PLATE |                               |        |      |       | 2    |      |          |
| 35  |             | G7521870000 |             | GARMENT CLEARING ARM STOPPER  |                               |        |      |       | 1    |      |          |
| 36  |             | SM6065002TP |             | SCREW M6 L=50                 |                               |        |      |       | 8    |      |          |
| 37  |             | WP0641601SC |             | WASHER                        |                               |        |      |       | 16   |      |          |
| 38  |             | NM6060001SC |             | NUT M6                        |                               |        |      |       | 8    |      |          |
| 39  | R           | SM6063502TN | SM6063502TP | HEXAGONAL-HOLE BOLT M6 L=35   |                               |        |      |       | 2    | 1.00 |          |
| 40  |             | WP0641600SC |             | WASHEW6.4X12.5X1.6            |                               |        |      |       | 2    |      |          |
| 41  |             | G8019875000 |             | OPERATION BOX FITTING PLATE   |                               |        |      |       | 1    |      |          |
| 42  |             | WS0610002KN |             | SPRING WASHER 6.1X12.2X1.5    |                               |        |      |       | 4    |      |          |
| 43  |             | SM6062002TN |             | SCREW M6 L=20                 |                               |        |      |       | 1    |      |          |
| 44  |             | WS0610002KN |             | SPRING WASHER 6.1X12.2X1.5    |                               |        |      |       | 1    |      |          |

MAIN BODY FRAME COMPONENTS(2)

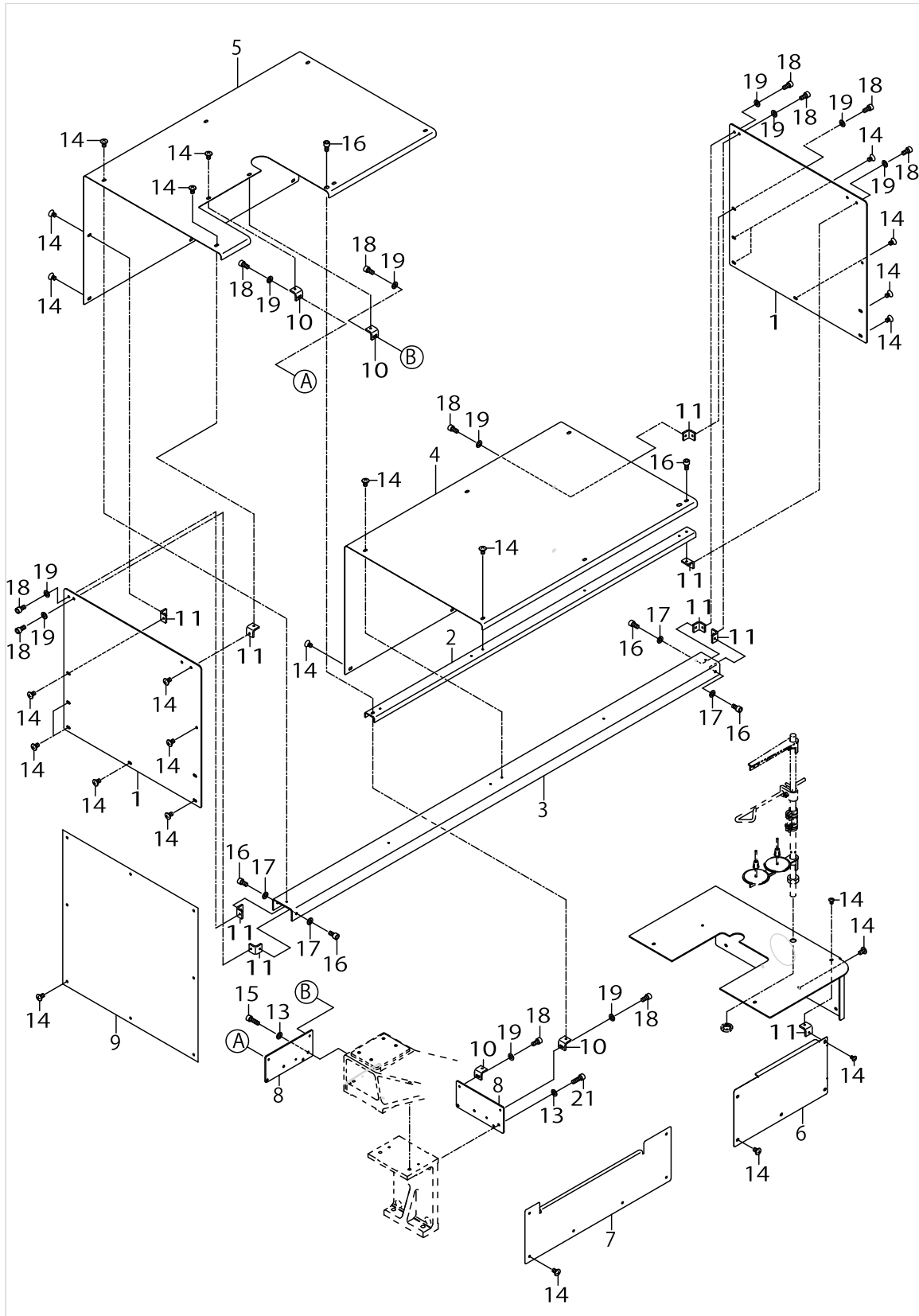


MAIN BODY FRAME COMPONENTS(2)

| No. | Supply Code | Parts No.   | Replacement | Parts name                 | Remarks | Choice | Step | Level | Cons | Qty | Rep. QTY |
|-----|-------------|-------------|-------------|----------------------------|---------|--------|------|-------|------|-----|----------|
| 45  |             | HA004290000 |             | SWITCH (GREEN)             |         |        |      |       |      | 2   |          |
| 46  |             | HA004300000 |             | SWITCH                     |         |        |      |       |      | 1   |          |
| 47  |             | HA00429000A |             | SWITCH (YELLOW)            |         |        |      |       |      | 1   |          |
| 48  |             | HA004290010 |             | SWITCH COVER               |         |        |      |       |      | 2   |          |
| 49  |             | HX003100000 |             | LABEL                      |         |        |      |       |      | 1   |          |
| 50  | R           | M10105750A0 | 40060768    | OPERATION PANEL ASM.       |         | A      |      |       |      | 1   | 1.00     |
| 50  | R           | M10105750A0 | 40057237    | OPERATION PANEL ASM.       |         | A      |      |       |      | 1   | 1.00     |
| 50  | R           | M10105750A0 | 40057224    | OPERATION PANEL ASM.       |         | A      |      |       |      | 1   | 1.00     |
| 51  |             | M85355750A0 |             | OPERATION SWITCH CORD ASM. |         |        |      |       |      | 1   |          |
| 52  |             | M85415750A0 |             | POWER SOURCE CORD ASM.     |         |        |      |       |      | 1   |          |



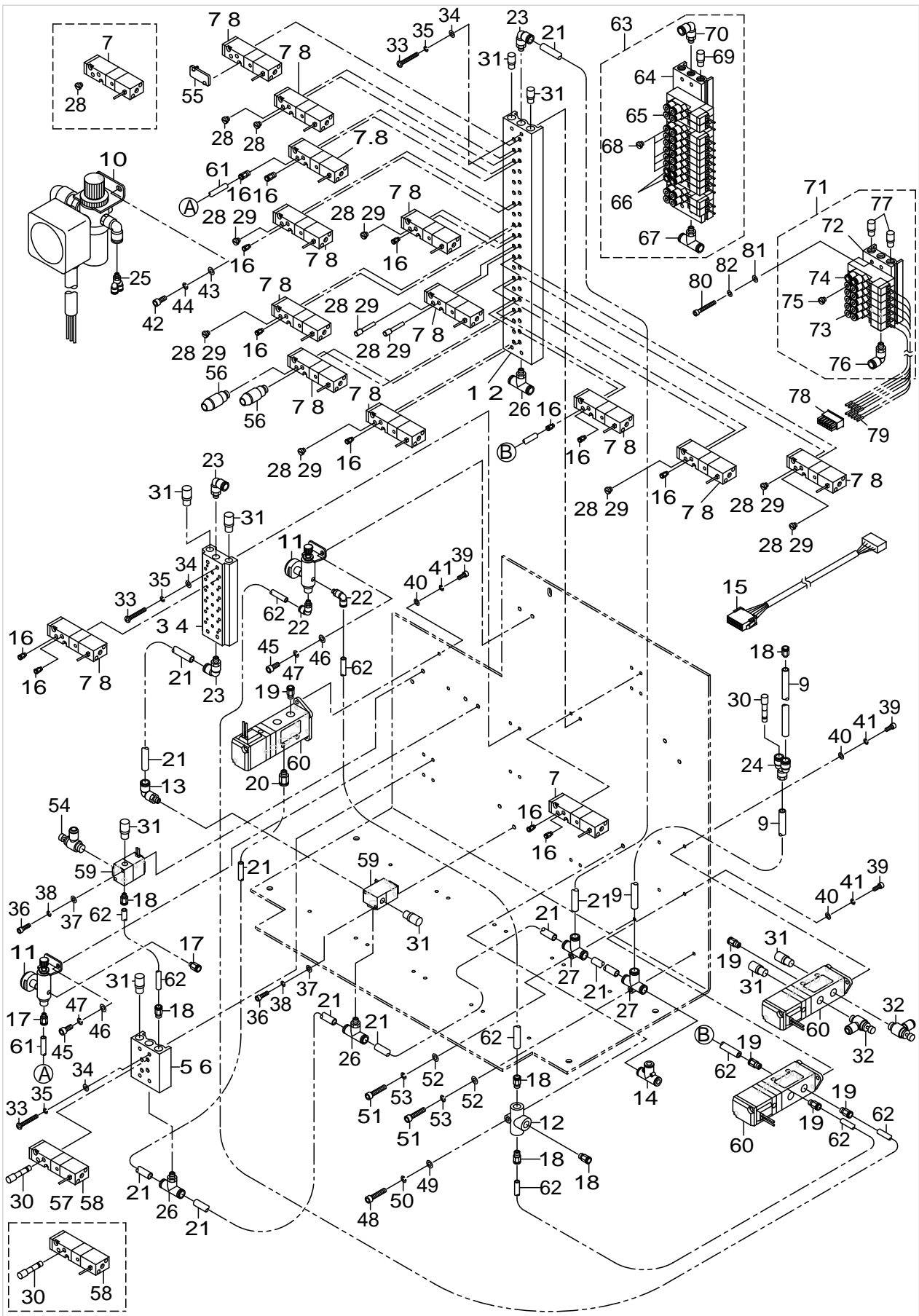
MAIN BODY COVER COMPONENTS



MAIN BODY COVER COMPONENTS

| No. | Supply Code | Parts No.   | Replacement | Parts name          | Remarks | Choice | Step | Level | Cons | Qty | Rep. QTY |
|-----|-------------|-------------|-------------|---------------------|---------|--------|------|-------|------|-----|----------|
| 1   |             | G8201875000 |             | SIDE PANEL          |         |        |      |       |      | 2   |          |
| 2   |             | G8202875000 |             | CHANNEL F           |         |        |      |       |      | 1   |          |
| 3   |             | G8203875000 |             | CHANNEL B           |         |        |      |       |      | 1   |          |
| 4   |             | G8204875000 |             | COVER R             |         |        |      |       |      | 1   |          |
| 5   |             | G8205875000 |             | COVER L             |         |        |      |       |      | 1   |          |
| 6   |             | G8206875000 |             | COVER RF            |         |        |      |       |      | 1   |          |
| 7   |             | G8207875000 |             | COVER LF            |         |        |      |       |      | 1   |          |
| 8   |             | G8208875000 |             | COVER L STAY        |         |        |      |       |      | 2   |          |
| 9   |             | G8209875000 |             | COVER SLB           |         |        |      |       |      | 1   |          |
| 10  |             | G8210875000 |             | CHANNEL CONNECTOR F |         |        |      |       |      | 4   |          |
| 11  |             | G8211875000 |             | CHANNEL CONNECTOR B |         |        |      |       |      | 9   |          |
| 12  |             | G8212875000 |             | COVER SRF           |         |        |      |       |      | 1   |          |
| 13  |             | WP0531001SC |             | WASHER              |         |        |      |       |      | 4   |          |
| 14  |             | SM0050801SC |             | SCREW               |         |        |      |       |      | 60  |          |
| 15  |             | SM6051202TN |             | SCREW M5X0.8 L=12   |         |        |      |       |      | 4   |          |
| 16  |             | SM6051002TN |             | BOLT                |         |        |      |       |      | 6   |          |
| 17  |             | WP0531001SC |             | WASHER              |         |        |      |       |      | 4   |          |
| 18  |             | SM6051002TN |             | BOLT                |         |        |      |       |      | 11  |          |
| 19  |             | WP0531001SC |             | WASHER              |         |        |      |       |      | 11  |          |

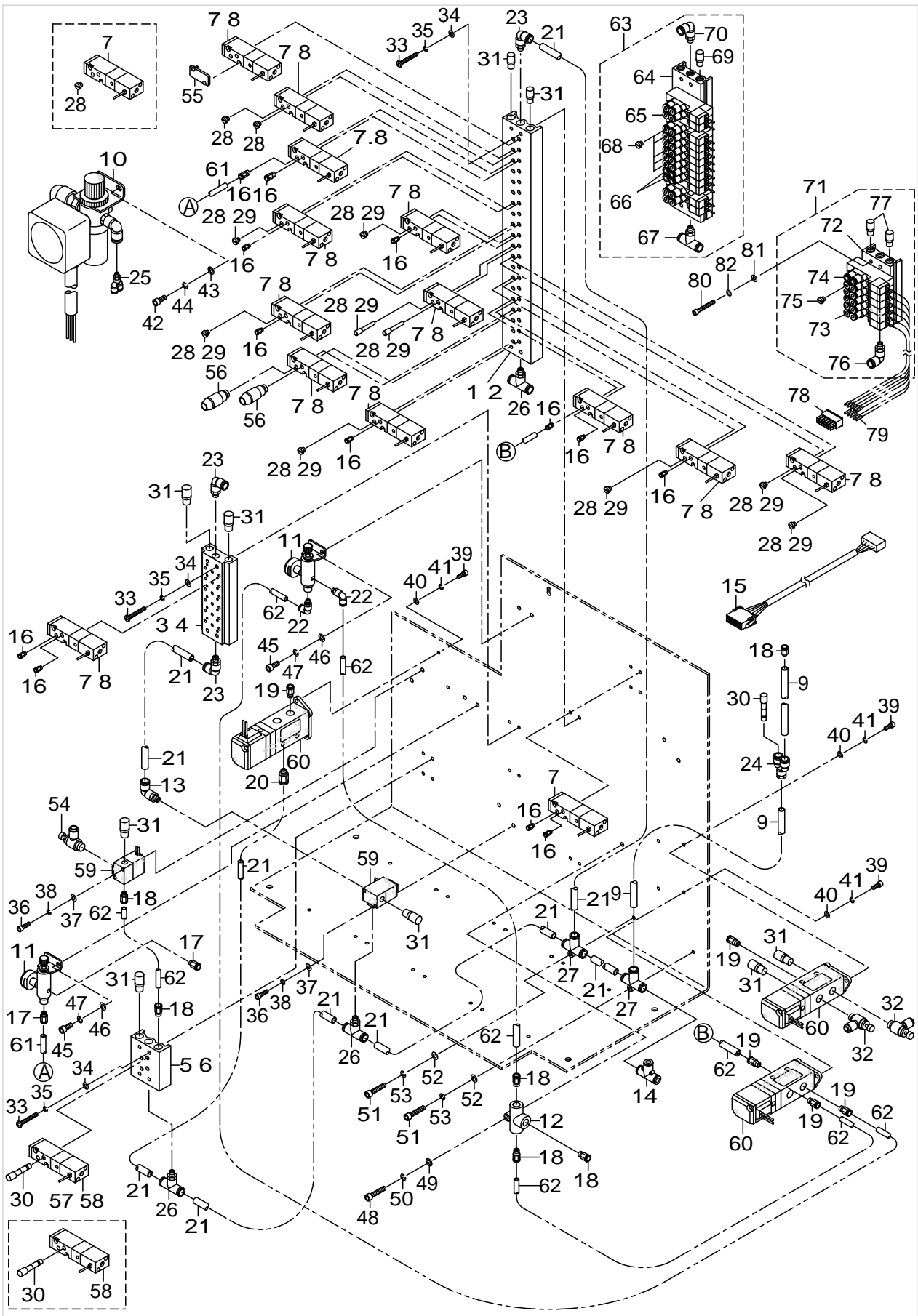
AIR PRESSURE COMPONENTS



AIR PRESSURE COMPONENTS

| No. | Supply Code | Parts No.   | Replacement | Parts name                    | Remarks                                   | Choice | Step | Level | Cons | Qty | Rep. QTY |
|-----|-------------|-------------|-------------|-------------------------------|---|--------|------|-------|------|-----|----------|
| 1   |             | PV035147000 |             | MANIFOLD                      | UNTIL 10TH MACHINE                        |        |      |       |      | 1   |          |
| 2   |             | PV035151000 |             | MANIFOLD 20 VALVES            | AFTER 11-TH MACHINE OF UNTIL 10TH MACHINE |        |      |       |      | 1   |          |
| 3   |             | PV035118000 |             | MANIFOLD                      | UNTIL 10TH MACHINE                        |        |      |       |      | 1   |          |
| 4   | D           | PV030202000 |             | MANIFOLD 6 VALVES             | AFTER 11-TH MACHINE OF UNTIL 10TH MACHINE |        |      |       |      | 1   |          |
| 5   |             | PV035146000 |             | MANIFOLD                      | UNTIL 10TH MACHINE                        |        |      |       |      | 1   |          |
| 6   |             | PV035150000 |             | MANIFOLD 2 VALVES             | AFTER 11-TH MACHINE OF UNTIL 10TH MACHINE |        |      |       |      | 1   |          |
| 7   |             | PV150511000 |             | COLENOID VALVE                | UNTIL 10TH MACHINE                        |        |      |       |      | 24  |          |
| 8   |             | PV150208000 |             | SOLENOID VALVE                | AFTER 11-TH MACHINE OF UNTIL 10TH MACHINE |        |      |       |      | 24  |          |
| 9   |             | BT0800501EB |             | VINYL TUBE                    |   |        |      |       |      | 4   |          |
| 10  |             | G85048750A0 |             | REGULATOR ASM.                |   |        |      |       |      | 1   |          |
| 11  |             | PC0205010A0 |             | MINIATURE DECOMPRESSION VALVE |   |        |      |       |      | 2   |          |
| 12  |             | PV205101000 |             | SHUTTLE VALVE                 |   |        |      |       |      | 1   |          |
| 13  |             | PJ304085101 |             | ELBOW UNION                   |   |        |      |       |      | 3   |          |
| 14  |             | PJ305080001 |             | PIPE TEE                      |   |        |      |       |      | 1   |          |
| 15  |             | M85498750A0 |             | SOLENOID VALVE RELAY CORD     |   |        |      |       |      | 1   |          |
| 16  |             | PJ301040502 |             | HALF UNION 4XM5               | AFTER 11-TH MACHINE ABOLITION             |        |      |       |      | 36  |          |
| 17  |             | PJ301060503 |             | HALF UNION                    |   |        |      |       |      | 2   |          |
| 18  |             | PJ301065103 |             | HALF UNION 6XPT1/8            |   |        |      |       |      | 9   |          |
| 19  |             | PJ301065201 |             | HALF UNION 6XPT1/4            |   |        |      |       |      | 6   |          |
| 20  |             | PJ301085201 |             | HALF UNION                    |   |        |      |       |      | 1   |          |
| 21  |             | BT0800501EB |             | VINYL TUBE                    |   |        |      |       |      | 1.5 |          |
| 22  |             | PJ304060502 |             | ELBOW UNION 6XM5              | UNTIL 10TH MACHINE                        |        |      |       |      | 2   |          |
| 23  |             | PJ301060503 |             | HALF UNION                    | AFTER 11-TH MACHINE OF UNTIL 10TH MACHINE |        |      |       |      | 2   |          |
| 24  |             | PJ308080001 |             | UNION, Y                      |   |        |      |       |      | 1   |          |
| 25  |             | PJ308065101 |             | BRANCH                        |   |        |      |       |      | 1   |          |
| 26  |             | PJ305085101 |             | DOUBLE-ENDED TEE UNION        |   |        |      |       |      | 4   |          |
| 27  |             | PJ305080003 |             | T-JOINT D=8                   |   |        |      |       |      | 2   |          |
| 28  |             | PJ020500002 |             | PLUG                          | UNTIL 10TH MACHINE                        |        |      |       |      | 11  |          |
| 29  |             | PX500014000 |             | PLUG                          | AFTER 11-TH MACHINE OF UNTIL 10TH MACHINE |        |      |       |      | 9   |          |
| 30  |             | PX950001000 |             | PLUG                          |   |        |      |       |      | 3   |          |
| 31  |             | PX055104000 |             | SILENCER (PT1/8)              |   |        |      |       |      | 9   |          |
| 32  |             | PC015201000 |             | SPEED CONTROLLER              |   |        |      |       |      | 2   |          |
| 33  |             | SM6043002TN |             | SCREW                         |   |        |      |       |      | 12  |          |

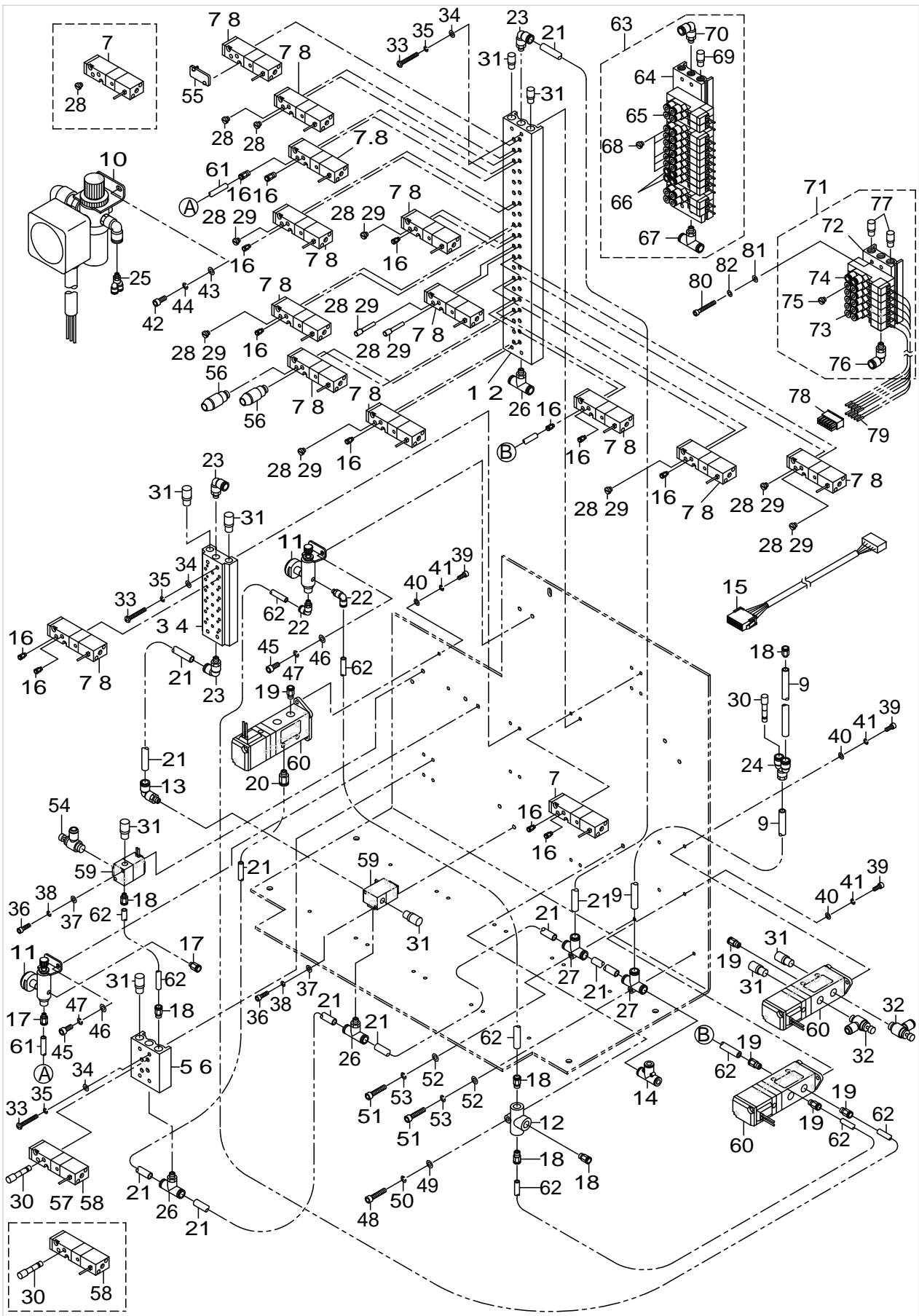
AIR PRESSURE COMPONENTS



AIR PRESSURE COMPONENTS

| No. | Supply Code | Parts No.    | Replacement | Parts name             | Remarks  | Choice | Step | Level | Cons | Qty | Rep. QTY |
|-----|-------------|--------------|-------------|------------------------|--|--------|------|-------|------|-----|----------|
| 34  |             | WP0430801SC  |             | WASHER 4.3X9X0.8       |  |        |      |       |      | 12  |          |
| 35  |             | WS0410002KN  |             | SPRING WASHER          |  |        |      |       |      | 12  |          |
| 36  |             | SM6041402TN  |             | SCREW M4X0.7 L=14      |  |        |      |       |      | 4   |          |
| 37  |             | WP0430801SC  |             | WASHER 4.3X9X0.8       |  |        |      |       |      | 4   |          |
| 38  |             | WS0410002KN  |             | SPRING WASHER          |  |        |      |       |      | 4   |          |
| 39  |             | SM6041002TN  |             | BOLT                   |  |        |      |       |      | 6   |          |
| 40  |             | WP0430801SC  |             | WASHER 4.3X9X0.8       |  |        |      |       |      | 6   |          |
| 41  |             | WS0410002KN  |             | SPRING WASHER          |  |        |      |       |      | 6   |          |
| 42  |             | SM6051202TN  |             | SCREW M5X0.8 L=12      |  |        |      |       |      | 2   |          |
| 43  |             | WP0531001SC  |             | WASHER                 |  |        |      |       |      | 2   |          |
| 44  |             | WS0510002KN  |             | SPRING WASHER          |  |        |      |       |      | 2   |          |
| 45  |             | SM6051002TN  |             | BOLT                   |  |        |      |       |      | 4   |          |
| 46  |             | WP0531001SC  |             | WASHER                 |  |        |      |       |      | 4   |          |
| 47  |             | WS0510002KN  |             | SPRING WASHER          |  |        |      |       |      | 4   |          |
| 48  |             | SM6052502TN  |             | HEXAGONAL-HOLE BOLT    |  |        |      |       |      | 1   |          |
| 49  |             | WP0531001SC  |             | WASHER                 |  |        |      |       |      | 1   |          |
| 50  |             | WS0510002KN  |             | SPRING WASHER          |  |        |      |       |      | 1   |          |
| 51  |             | SM6052502TN  |             | HEXAGONAL-HOLE BOLT    |  |        |      |       |      | 2   |          |
| 52  |             | WP0531001SC  |             | WASHER                 |  |        |      |       |      | 2   |          |
| 53  |             | WS0510002KN  |             | SPRING WASHER          |  |        |      |       |      | 2   |          |
| 54  |             | PC015114000  |             | SPEED CONTROLLER       |  |        |      |       |      | 1   |          |
| 55  |             | PV9030070A0  |             | BLANKING PLATE         | AFTER 11-TH MACHINE ABOLITION                                |        |      |       |      | 1   |          |
| 56  |             | PJ210004200  |             | HALF UNION             | AFTER 11-TH MACHINE ABOLITION                                |        |      |       |      | 6   |          |
| 57  |             | PV150511000  |             | SOLENOID VALVE         | UNTIL 10TH MACHINE   |        |      |       |      | 2   |          |
| 58  |             | PV150208100  |             | SOLENOID VALVE         | AFTER 11-TH MACHINE OF UNTIL 10TH MACHINE                    |        |      |       |      | 2   |          |
| 59  |             | PV135117000  |             | SOLENOID VALVE         |  |        |      |       |      | 2   |          |
| 60  |             | PV155204100  |             | SOLENOID VALVE         |  |        |      |       |      | 3   |          |
| 61  |             | BT0400251EB  |             | URETHANE HOSE, BLACK   |  |        |      |       |      | .5  |          |
| 62  |             | BT0600401EB  |             | TUBE                   |  |        |      |       |      | 2   |          |
| 63  |             | G83018750A0A |             | MANIFOLD A ASM.        | AFTER 135-TH MACHINE   |        |      |       |      | 1   |          |
| 64  |             | PV035154000  |             | MANIFOLD 15 VALVES     |  |        |      | *     |      | 1   |          |
| 65  |             | PV150208000  |             | SOLENOID VALVE         |  |        |      | *     |      | 10  |          |
| 66  |             | PV150208100  |             | SOLENOID VALVE         |  |        |      | *     |      | 2   |          |
| 67  |             | PJ305085101  |             | DOUBLE-ENDED TEE UNION |  |        |      | *     |      | 1   |          |
| 68  |             | PX500014000  |             | PLUG                   |  |        |      | *     |      | 5   |          |
| 69  |             | PX055104000  |             | SILENCER (PT1/8)       |  |        |      | *     |      | 2   |          |
| 70  |             | PJ304085101  |             | ELBOW UNION            |  |        |      | *     |      | 1   |          |
| 71  |             | G83048750A0  |             | MANIFOLD D ASM.        | THIS SOLENOID VALVE IS LOCKED IN THE BOTTOM OF MACHINE HEAD. |        |      |       |      | 1   |          |
| 72  | D           | PV030202000  |             | MANIFOLD 6 VALVES      |  |        |      | *     |      | 1   |          |

AIR PRESSURE COMPONENTS

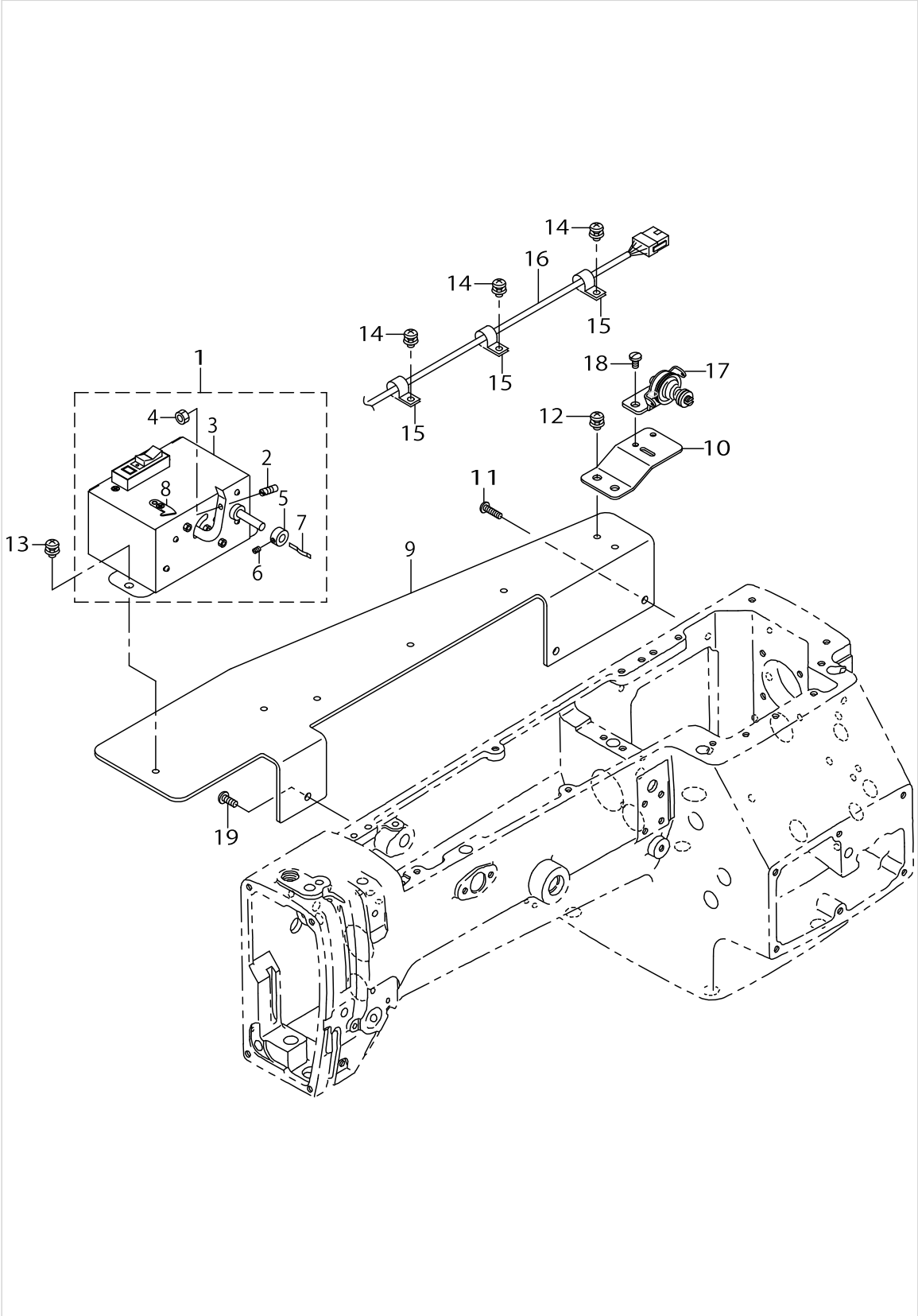


AIR PRESSURE COMPONENTS

| No. | Supply Code | Parts No.   | Replacement | Parts name       | Remarks   | Choice | Step | Level | Cons | Qty | Rep. QTY |
|-----|-------------|-------------|-------------|------------------|---|--------|------|-------|------|-----|----------|
| 73  |             | PV150208000 |             | SOLENOID VALVE   |   |        |      | *     |      | 5   |          |
| 74  |             | PV150208100 |             | SOLENOID VALVE   |   |        |      | *     |      | 1   |          |
| 75  |             | PX500014000 |             | PLUG             |   |        |      | *     |      | 1   |          |
| 76  |             | PJ304085101 |             | ELBOW UNION      |   |        |      | *     |      | 1   |          |
| 77  |             | PX055104000 |             | SILENCER (PT1/8) |   |        |      | *     |      | 2   |          |
| 78  |             | HK034610120 |             | HOUSING 12P      | THIS SOLENOID VALVE IS LOCATED IN THE BOTTOM OF MACHINE HEAD. |        |      |       |      | 1   |          |
| 79  |             | HK03464000B |             | PIN CONTACT      | THIS SOLENOID VALVE IS LOCATED IN THE BOTTOM OF MACHINE HEAD. |        |      |       |      | 12  |          |
| 80  |             | SM6043002TN |             | SCREW            | THIS SOLENOID VALVE IS LOCATED IN THE BOTTOM OF MACHINE HEAD. |        |      |       |      | 4   |          |
| 81  |             | WP0430801SC |             | WASHER 4.3X9X0.8 | THIS SOLENOID VALVE IS LOCATED IN THE BOTTOM OF MACHINE HEAD. |        |      |       |      | 4   |          |
| 82  |             | WS0410002KN |             | SPRING WASHER    | THIS SOLENOID VALVE IS LOCATED IN THE BOTTOM OF MACHINE HEAD. |        |      |       |      | 4   |          |



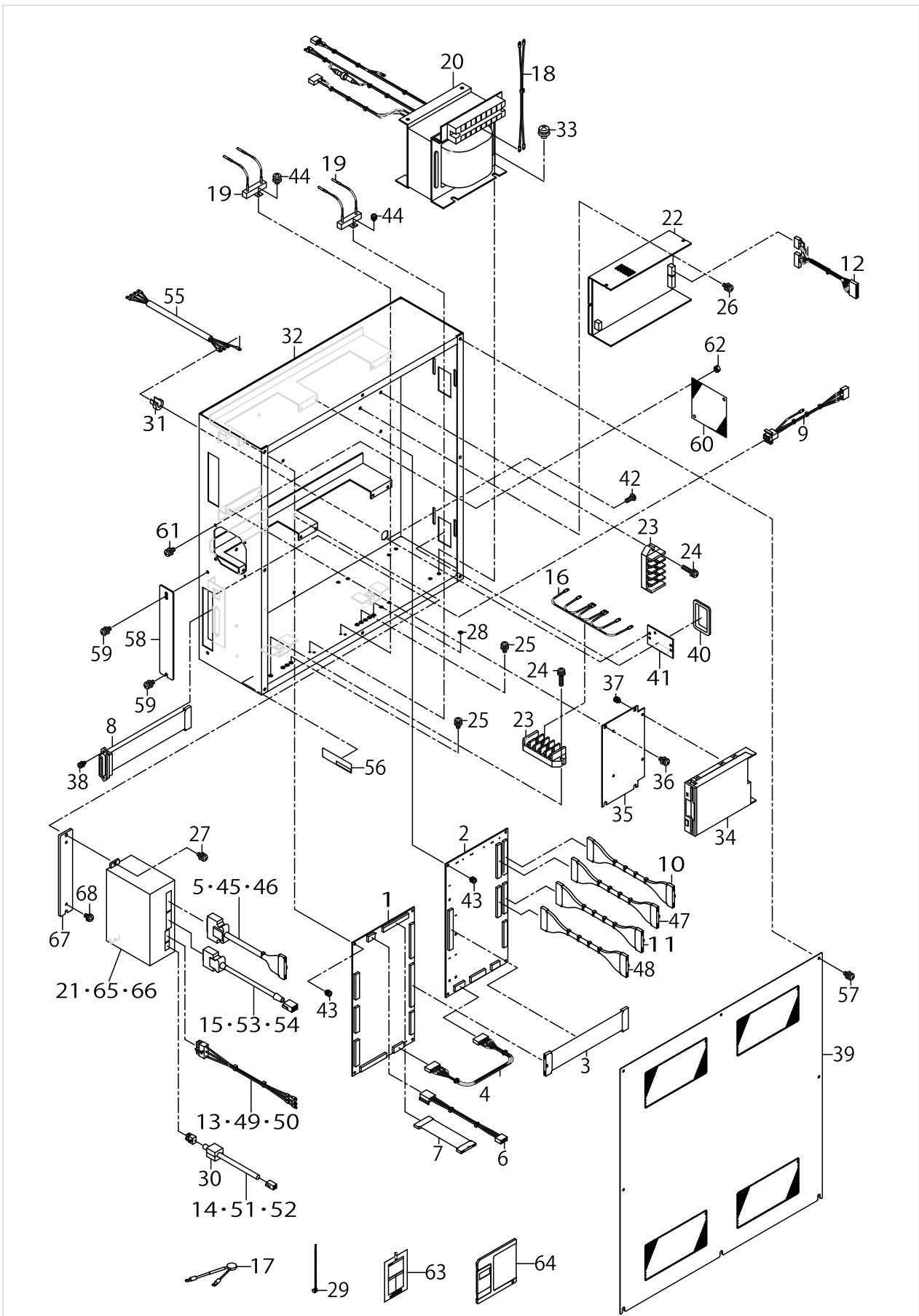
BOBBIN WINDER COMPONENTS



BOBBIN WINDER COMPONENTS

| No. | Supply Code | Parts No.   | Replacement | Parts name                    | Remarks | Choice | Step | Level | Cons | Qty | Rep. QTY |
|-----|-------------|-------------|-------------|-------------------------------|---------|--------|------|-------|------|-----|----------|
| 1   |             | G80318750A0 |             | BOBBINWINDERASM.              |         |        |      |       |      | 1   |          |
| 2   |             | G8031875000 |             | BOBBIN PRESSER BOSS           |         |        |      | *     |      | 1   |          |
| 3   |             | 13870258    |             | BOBBIN THREAD WIDING DEVICE   |         |        |      | *     |      | 1   |          |
| 4   |             | NS6110420SP |             | NUT 11/64-40                  |         |        |      | *     |      | 1   |          |
| 5   | R           | CS0640611SP | CS064061ASP | THRUST HOLDER                 |         |        |      | *     |      | 1   | 1.00     |
| 6   |             | SS8090530TP |             | SCREW 9/64-40 L=5.0           |         |        |      | *     |      | 1   |          |
| 7   |             | B3212761000 |             | LATCH SPRING                  |         |        |      | *     |      | 1   |          |
| 8   |             | 10502300    |             | THREAD CUTTER                 |         |        |      | *     |      | 1   |          |
| 9   |             | G8033875000 |             | BOBBIN DEVICE FITTING PLATE   |         |        |      |       |      | 1   |          |
| 10  |             | G3216270000 |             | BOBBIN BASE                   |         |        |      |       |      | 1   |          |
| 11  |             | SS4121615SP |             | SCREW 3/16-28 L=16            |         |        |      |       |      | 2   |          |
| 12  |             | SL4051091SC |             | SCREW M5X0.8 L=10             |         |        |      |       |      | 2   |          |
| 13  |             | SL4051091SC |             | SCREW M5X0.8 L=10             |         |        |      |       |      | 2   |          |
| 14  |             | SL4051091SC |             | SCREW M5X0.8 L=10             |         |        |      |       |      | 3   |          |
| 15  |             | HX00150000C |             | CABLE CLIP                    |         |        |      |       |      | 3   |          |
| 16  |             | G80328750A0 |             | BOBBIN POWER SOURCE CORD ASM. |         |        |      |       |      | 1   |          |
| 17  |             | 13889951    |             | BOBBIN GUIDE ASM.             |         |        |      |       |      | 1   |          |
| 18  |             | SS7110840SP |             | SCREW 11/64-40 L=7.8          |         |        |      |       |      | 2   |          |
| 19  |             | SS4121215SP |             | SCREW 3/16-28 L=12            |         |        |      |       |      | 1   |          |

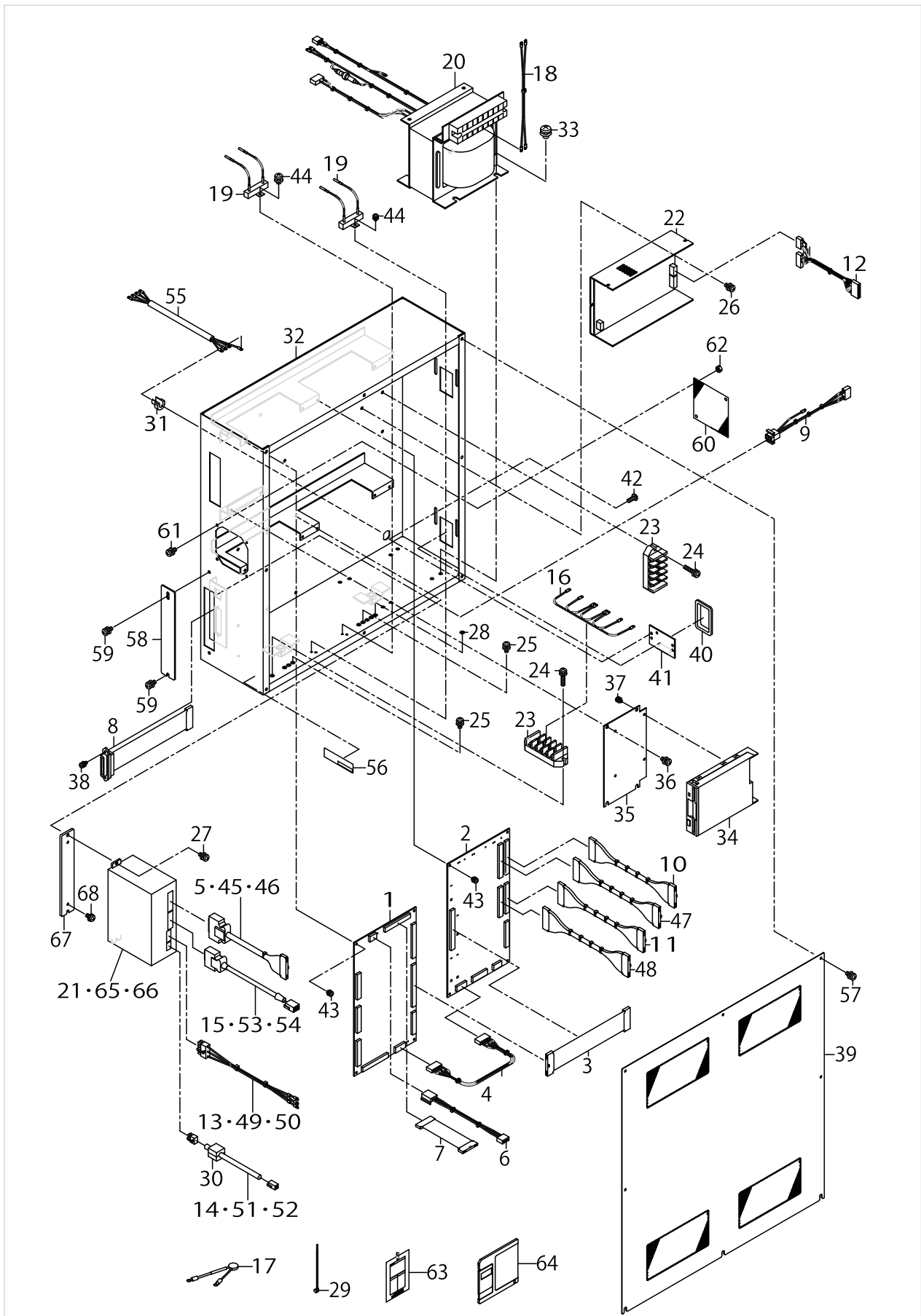
CONTROL BOX COMPONENTS



CONTROL BOX COMPONENTS

| No. | Supply Code | Parts No.    | Replacement | Parts name                   | Remarks | Choice | Step | Level | Cons | Qty | Rep. QTY |
|-----|-------------|--------------|-------------|------------------------------|---------|--------|------|-------|------|-----|----------|
| 1   |             | 40057224     |             | CPU PCB ASSY                 |         |        |      |       |      | 1   |          |
| 2   |             | 40057237     |             | I/O CIRCUIT BOARD ASM        |         |        |      |       |      | 1   |          |
| 3   | D           | M85015750A0  |             | SIGNAL CORD ASM.             |         |        |      |       |      | 1   |          |
| 4   | D           | M85025750A0  |             | CPU BOARD POWER CORD ASM.    |         |        |      |       |      | 1   |          |
| 5   |             | M85045750A0  |             | SERVO CORD ASM.              |         |        |      |       |      | 1   |          |
| 6   | D           | M85075750A0  |             | FDD POWER CORD ASM.          |         |        |      |       |      | 1   |          |
| 7   |             | M85085750A0  |             | FDD CORD ASM.                |         |        |      |       |      | 1   |          |
| 8   |             | M85105750A0  |             | INPUT DEVICE CORD ASM.       |         |        |      |       |      | 1   |          |
| 9   |             | M85115750A0  |             | INPUT DEVICE POWER CORD ASM. |         |        |      |       |      | 1   |          |
| 10  |             | M85125750A0  |             | TERMINAL A CORD ASM.         |         |        |      |       |      | 1   |          |
| 11  | D           | M85145750A0  |             | TERMINAL C CORD ASM.         |         |        |      |       |      | 1   |          |
| 12  | D           | M85165750A0  |             | DC POWER CORD ASM.           |         |        |      |       |      | 1   |          |
| 13  |             | M85175750A0  |             | SERVO POWER CORD ASM.        |         |        |      |       |      | 1   |          |
| 14  |             | M85205750A0  |             | MOTOR CORD ASM.              |         |        |      |       |      | 1   |          |
| 15  |             | 40040279     |             | ENCODER CORD M ASSY          |         |        |      |       |      | 1   |          |
| 16  |             | M85265750A0  |             | JUMPER CORD ASM.             |         |        |      |       |      | 1   |          |
| 17  |             | M85475750A0  |             | CONDENSER ASM.               | FOR JE  |        |      |       |      | 1   |          |
| 18  | D           | M85435750A0  |             | TRANSFORMER POWER CORD ASM.  |         |        |      |       |      | 1   |          |
| 19  |             | M85445750A0  |             | REGENERATIVE RESISTOR ASM.   |         |        |      |       |      | 2   |          |
| 20  | D           | M89015750A0  |             | TRANSFORMER ASM.             |         |        |      |       |      | 1   |          |
| 21  |             | 40044168     |             | M SERVO MOTOR DRIVER         |         |        |      |       |      | 1   |          |
| 22  |             | HX005500000  |             | POWER UNIT                   |         |        |      |       |      | 1   |          |
| 23  | D           | HK045550060  |             | TERMINAL                     |         |        |      |       |      | 2   |          |
| 24  |             | SL4042091SC  |             | SCREW M4X0.7 L=20            |         |        |      |       |      | 4   |          |
| 25  |             | SL4041081SC  |             | SCREW M4 L=10                |         |        |      |       |      | 7   |          |
| 26  |             | SL4041081SC  |             | SCREW M4 L=10                |         |        |      |       |      | 2   |          |
| 27  |             | SL4041091SC  |             | SCREW M4 L=10                |         |        |      |       |      | 6   |          |
| 28  | R           | 10004109     | 22901805    | GROUND MARK                  |         |        |      |       |      | 2   | 1.00     |
| 29  |             | EA9500B0100  |             | CABLE BAND                   |         |        |      |       |      | 12  |          |
| 30  |             | HN00099000B  |             | FERRITE CLAMP L              | FOR JE  |        |      |       |      | 3   |          |
| 31  |             | HX000980000  |             | CORD BUSH                    |         |        |      |       |      | 1   |          |
| 32  | D           | M1001575000A |             | CONTROL BOX                  |         |        |      |       |      | 1   |          |
| 33  |             | SL4061091SC  |             | SCREW                        |         |        |      |       |      | 4   |          |
| 34  | D           | S9622710000  |             | MICRO FLOPPY DISC DEVICE     |         |        |      |       |      | 1   |          |
| 35  | D           | M1011512000  |             | FDD INSTALLING PLATE         |         |        |      |       |      | 1   |          |
| 36  |             | SL4041091SC  |             | SCREW M4 L=10                |         |        |      |       |      | 4   |          |
| 37  |             | SL4030691SC  |             | SCREW M3X6                   |         |        |      |       |      | 4   |          |
| 38  |             | SL4030881SC  |             | SCREW M3X8                   |         |        |      |       |      | 2   |          |
| 39  | D           | M10025750A0  |             | CABLE ASM.                   |         |        |      |       |      | 1   |          |
| 40  |             | HX004070000  |             | BUSH                         |         |        |      |       |      | 2   |          |
| 41  |             | 17845009     |             | CORD FITTING PLATE           |         |        |      |       |      | 2   |          |
| 42  |             | SL4041091SC  |             | SCREW M4 L=10                |         |        |      |       |      | 4   |          |
| 43  |             | SL4030681SC  |             | SCREW M3 L=6                 |         |        |      |       |      | 8   |          |
| 44  |             | SL4030691SC  |             | SCREW M3X6                   |         |        |      |       |      | 2   |          |
| 45  |             | M85055750A0  |             | SERVO CORD X ASM.            |         |        |      |       |      | 1   |          |
| 46  |             | M85065750A0  |             | SERVO CORD Y ASM.            |         |        |      |       |      | 1   |          |

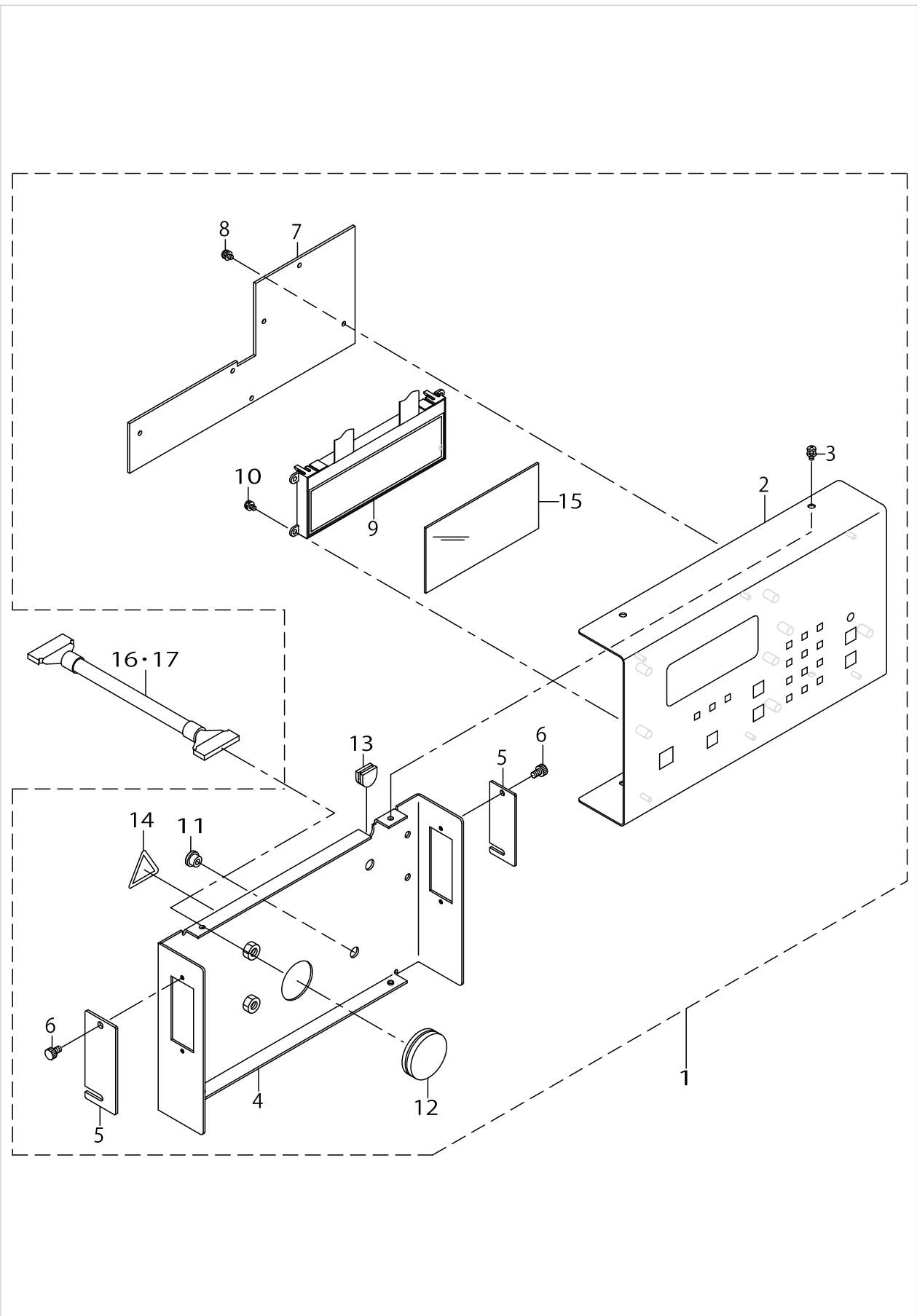
# CONTROL BOX COMPONENTS



CONTROL BOX COMPONENTS

| No. | Supply Code | Parts No.   | Replacement | Parts name                    | Remarks | Choice | Step | Level | Cons | Qty | Rep. QTY |
|-----|-------------|-------------|-------------|-------------------------------|---------|--------|------|-------|------|-----|----------|
| 47  |             | M85135750A0 |             | TERMINAL B CORD ASM.          |         |        |      |       |      | 1   |          |
| 48  | D           | M85155750A0 |             | TERMINAL D CORD ASM.          |         |        |      |       |      | 1   |          |
| 49  | D           | M85185750A0 |             | SERVO POWER CORD X ASM.       |         |        |      |       |      | 1   |          |
| 50  | D           | M85195750A0 |             | SERVO POWER CORD Y ASM.       |         |        |      |       |      | 1   |          |
| 51  |             | M85215750A0 |             | MOTOR CORD X ASM.             |         |        |      |       |      | 1   |          |
| 52  |             | M85225750A0 |             | MOTOR CORD Y ASM.             |         |        |      |       |      | 1   |          |
| 53  |             | 40040280    |             | ENCODER CORD X ASSY           |         |        |      |       |      | 1   |          |
| 54  |             | 40040281    |             | ENCODER CORD Y ASSY           |         |        |      |       |      | 1   |          |
| 55  |             | M85275750A0 |             | POWER INTERIOR CABLE ASM.     |         |        |      |       |      | 1   |          |
| 56  |             | M9901575000 |             | RATING NAME PLATE             |         |        |      |       |      | 1   |          |
| 57  |             | SL4041091SC |             | SCREW M4 L=10                 |         |        |      |       |      | 8   |          |
| 58  |             | M1010510000 |             | PLATE                         |         |        |      |       |      | 1   |          |
| 59  |             | SL4041091SC |             | SCREW M4 L=10                 |         |        |      |       |      | 2   |          |
| 60  |             | M1004581000 |             | VENTILATION COVER             |         |        |      |       |      | 1   |          |
| 61  |             | SL4041091SC |             | SCREW M4 L=10                 |         |        |      |       |      | 4   |          |
| 62  |             | NM6040001SB |             | NUT M4                        |         |        |      |       |      | 4   |          |
| 63  |             | M85505750A0 |             | ACCESSORIES ASM.              |         |        |      |       |      | 1   |          |
| 64  | R           | KX000000110 | HX002540000 | FLOPPYDISK 3.5INCH            |         |        |      |       |      | 1   | 1.00     |
| 65  |             | 40044169    |             | X SERVO MOTOR DRIVER          |         |        |      |       |      | 1   |          |
| 66  |             | 40044170    |             | Y SERVO MOTOR DRIVER          |         |        |      |       |      | 1   |          |
| 67  |             | 40040278    |             | SERVO DRIVER INSTALLING PLATE |         |        |      |       |      | 1   |          |
| 68  |             | SL4040891SC |             | SCREW M4 L=8                  |         |        |      |       |      | 2   |          |

OPERATION PANEL COMPONENTS

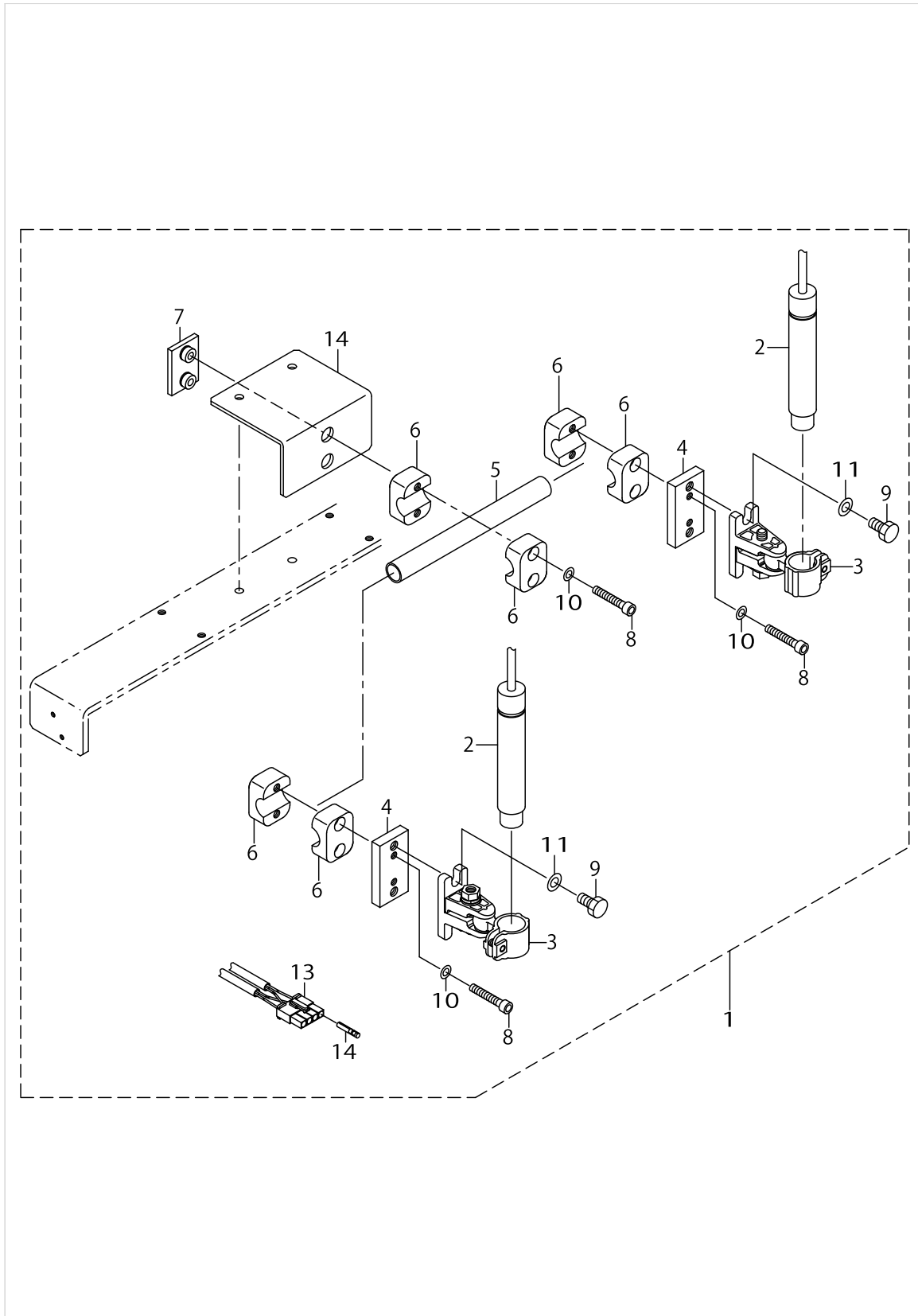


OPERATION PANELCOMPONENTS

| No. | Supply Code | Parts No.   | Replacement | Parts name              | Remarks | Choice | Step | Level | Cons | Qty | Rep. QTY |
|-----|-------------|-------------|-------------|-------------------------|---------|--------|------|-------|------|-----|----------|
| 1   |             | 40060768    |             | OPERATION PANEL ASM     |         |        |      |       |      | 1   |          |
| 2   |             | 40061638    |             | AVP PANEL COVER         |         |        |      | *     |      | 1   |          |
| 3   |             | SL4030891SC |             | SCREW M3X8              |         |        |      | *     |      | 4   |          |
| 4   |             | G1013192000 |             | REAR PLATE              |         |        |      | *     |      | 1   |          |
| 5   |             | G1014192000 |             | SWITCH COVER            |         |        |      | *     |      | 2   |          |
| 6   |             | G6010003000 |             | KNOB SCREW              |         |        |      | *     |      | 4   |          |
| 7   |             | 40060779    |             | PANEL PCB ASSY          |         |        |      | *     |      | 1   |          |
| 8   |             | SL4030681SC |             | SCREW M3 L=6            |         |        |      | *     |      | 6   |          |
| 9   |             | KG000000140 |             | LCD                     |         |        |      | *     |      | 1   |          |
| 10  |             | SL4030681SC |             | SCREW M3 L=6            |         |        |      | *     |      | 4   |          |
| 11  |             | TA0800504R0 |             | PLUG D=8 L=4.5          |         |        |      | *     |      | 2   |          |
| 12  |             | HX00221000E |             | BUSH                    |         |        |      | *     |      | 1   |          |
| 13  |             | M1001060000 |             | PLUG                    |         |        |      | *     |      | 1   |          |
| 14  |             | CM300100001 |             | LABEL                   |         |        |      | *     |      | 1   |          |
| 15  |             | 40059352    |             | LCD COVER               |         |        |      | *     |      | 1   |          |
| 16  |             | M85455750A0 |             | PANEL CABLE ASM.        |         |        |      |       |      | 1   |          |
| 17  |             | M85465750A0 |             | PANEL SHIELD CABLE ASM. | FOR JE  |        |      |       |      | 1   |          |



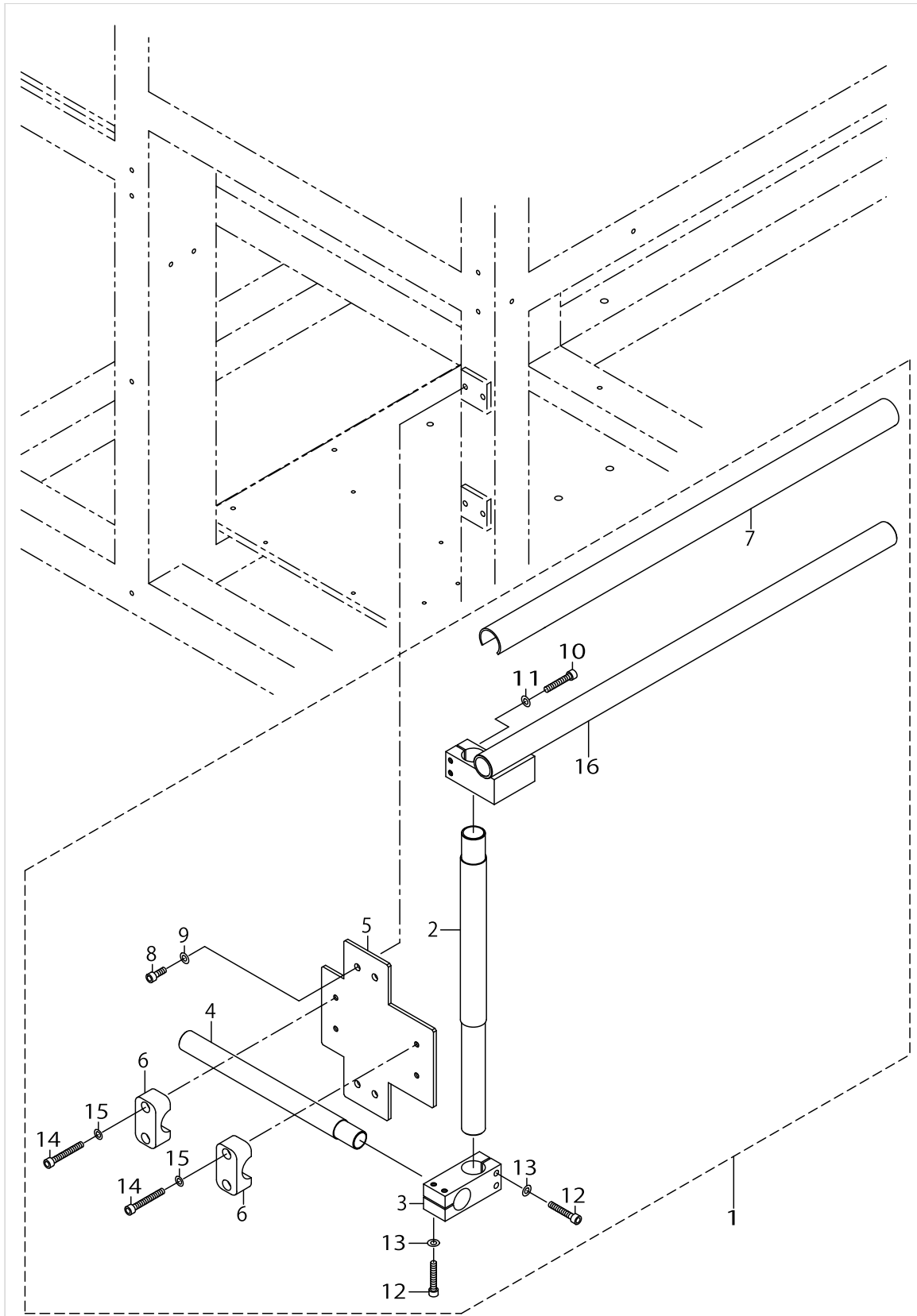
MARKING LIGHT COMPONENTS (OPTIONAL PARTS)



MARKING LIGHT COMPONENTS (OPTIONAL PARTS)

| No. | Supply Code | Parts No.   | Replacement | Parts name                   | Remarks | Choice | Step | Level | Cons | Qty | Rep. QTY |
|-----|-------------|-------------|-------------|------------------------------|---------|--------|------|-------|------|-----|----------|
| 1   |             | G90018750A0 |             | MARKING LIGHT INSTALL PLATE  |         |        |      |       |      | 1   |          |
| 2   |             | HE000110000 |             | LIGHT                        |         |        |      | *     |      | 2   |          |
| 3   |             | B5006222000 |             | MARKING LIGHT MOUNTING BASE  |         |        |      | *     |      | 2   |          |
| 4   |             | G8045870000 |             | MARKING LIGHT FIXING PLATE   |         |        |      | *     |      | 2   |          |
| 5   |             | G7521870000 |             | GARMENT CLEARING ARM STOPPER |         |        |      | *     |      | 1   |          |
| 6   |             | G7524870000 |             | PIPE CLAMP MAIN BODY         |         |        |      | *     |      | 6   |          |
| 7   |             | G7525870000 |             | PIPE CLAMP LOWER PLATE       |         |        |      | *     |      | 1   |          |
| 8   | R           | SM6063502TN | SM6063502TP | HEXAGONAL-HOLE BOLT M6 L=35  |         |        |      | *     |      | 6   | 1.00     |
| 9   |             | SM9081603SC |             | HEXAGONAL HEAD SCREW         |         |        |      | *     |      | 4   |          |
| 10  |             | WP0641600SC |             | WASHEW6.4X12.5X1.6           |         |        |      | *     |      | 6   |          |
| 11  |             | WP08416000E |             | WASHER8.4X15.5X1.6           |         |        |      | *     |      | 4   |          |
| 12  |             | HK004440040 |             | 4-POLE CONNECTOR             |         |        |      | *     |      | 1   |          |
| 13  |             | D6042555B00 |             | PIN TERMINAL, FEMALE         |         |        |      | *     |      | 4   |          |
| 14  |             | G9001875000 |             | MARKING LIGHT SUPPORT PLATE  |         |        |      | *     |      | 1   |          |

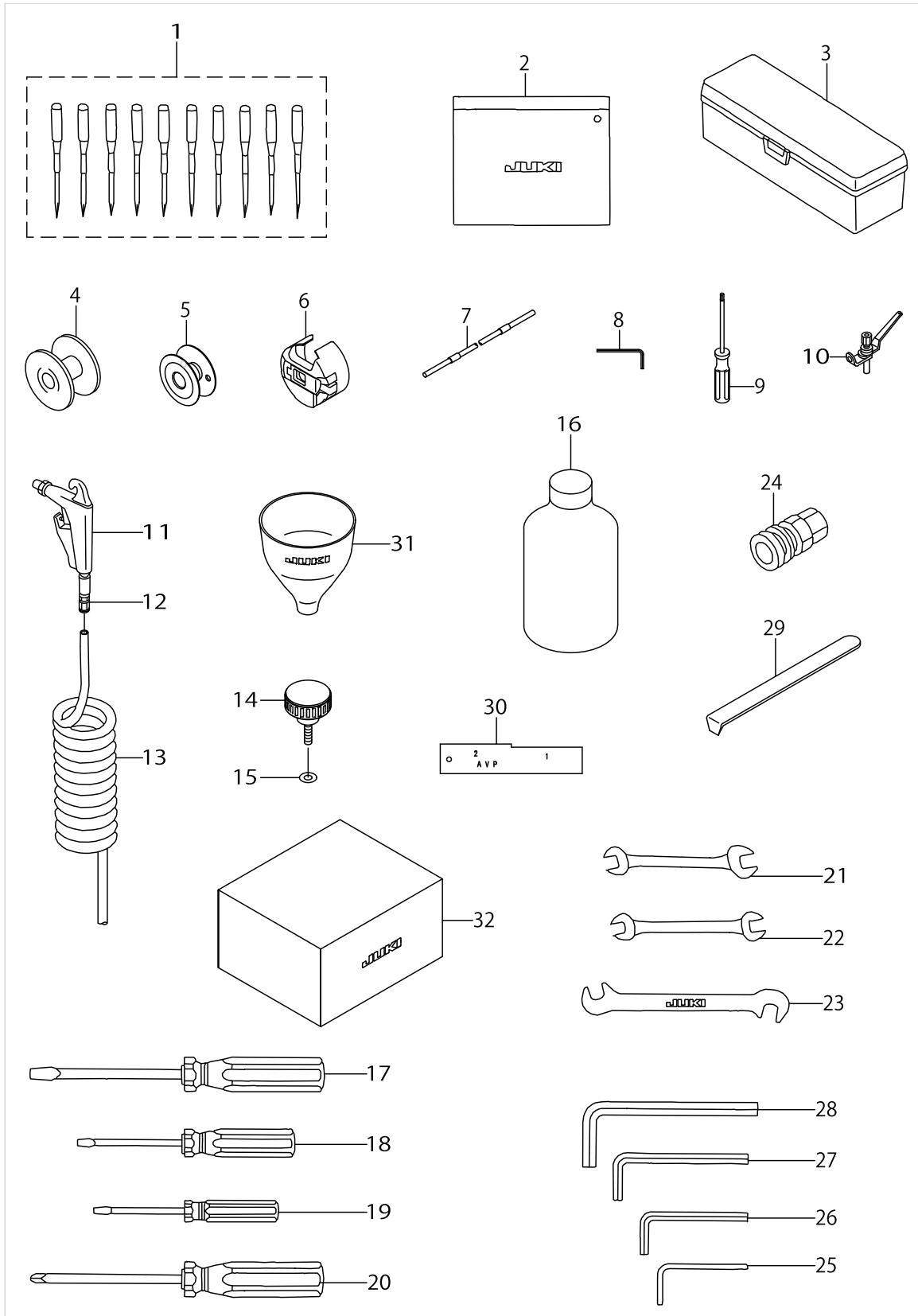
GARMENT PUT BASE COMPONENTS (OPTIONAL PARTS)



GARMENT PUT BASE COMPONENTS (OPTIONAL PARTS)

| No. | Supply Code | Parts No.   | Replacement | Parts name                    | Remarks | Choice | Step | Level | Cons | Qty | Rep. QTY |
|-----|-------------|-------------|-------------|-------------------------------|---------|--------|------|-------|------|-----|----------|
| 1   |             | G90118750B0 |             | GARMENT PUT BASE ASM.         |         |        |      |       |      | 1   |          |
| 2   |             | G9013875000 |             | GARMENT PUT BASE STRUT A      |         |        |      | *     |      | 1   |          |
| 3   |             | G9014875000 |             | GARMENT PUT BASE COUPLING     |         |        |      | *     |      | 1   |          |
| 4   |             | G9015875000 |             | GARMENT PUT BASE STRUT B      |         |        |      | *     |      | 1   |          |
| 5   |             | G9016875000 |             | GARMENT PUT BASE FITTING BASE |         |        |      | *     |      | 1   |          |
| 6   |             | G9017875000 |             | PIPE CLAMP                    |         |        |      | *     |      | 4   |          |
| 7   |             | G9018875000 |             | GARMENT PUT BASE RUBBER       |         |        |      | *     |      | 1   |          |
| 8   |             | SM6061602TN |             | SCREW M6 L=16                 |         |        |      | *     |      | 4   |          |
| 9   |             | WP0641601SC |             | WASHER                        |         |        |      | *     |      | 4   |          |
| 10  | R           | SM6063502TN | SM6063502TP | HEXAGONAL-HOLE BOLT M6 L=35   |         |        |      | *     |      | 2   | 1.00     |
| 11  |             | WP0641601SC |             | WASHER                        |         |        |      | *     |      | 2   |          |
| 12  | R           | SM6063502TN | SM6063502TP | HEXAGONAL-HOLE BOLT M6 L=35   |         |        |      | *     |      | 4   | 1.00     |
| 13  |             | WP0641601SC |             | WASHER                        |         |        |      | *     |      | 4   |          |
| 14  |             | SM6064502TP |             | SCREW M6 L=45                 |         |        |      | *     |      | 4   |          |
| 15  |             | WP0641600SC |             | WASHEW6.4X12.5X1.6            |         |        |      | *     |      | 4   |          |
| 16  |             | G90118750A0 |             | GARMENT PUT BASE PIPE COMPL.  |         |        |      | *     |      | 1   |          |

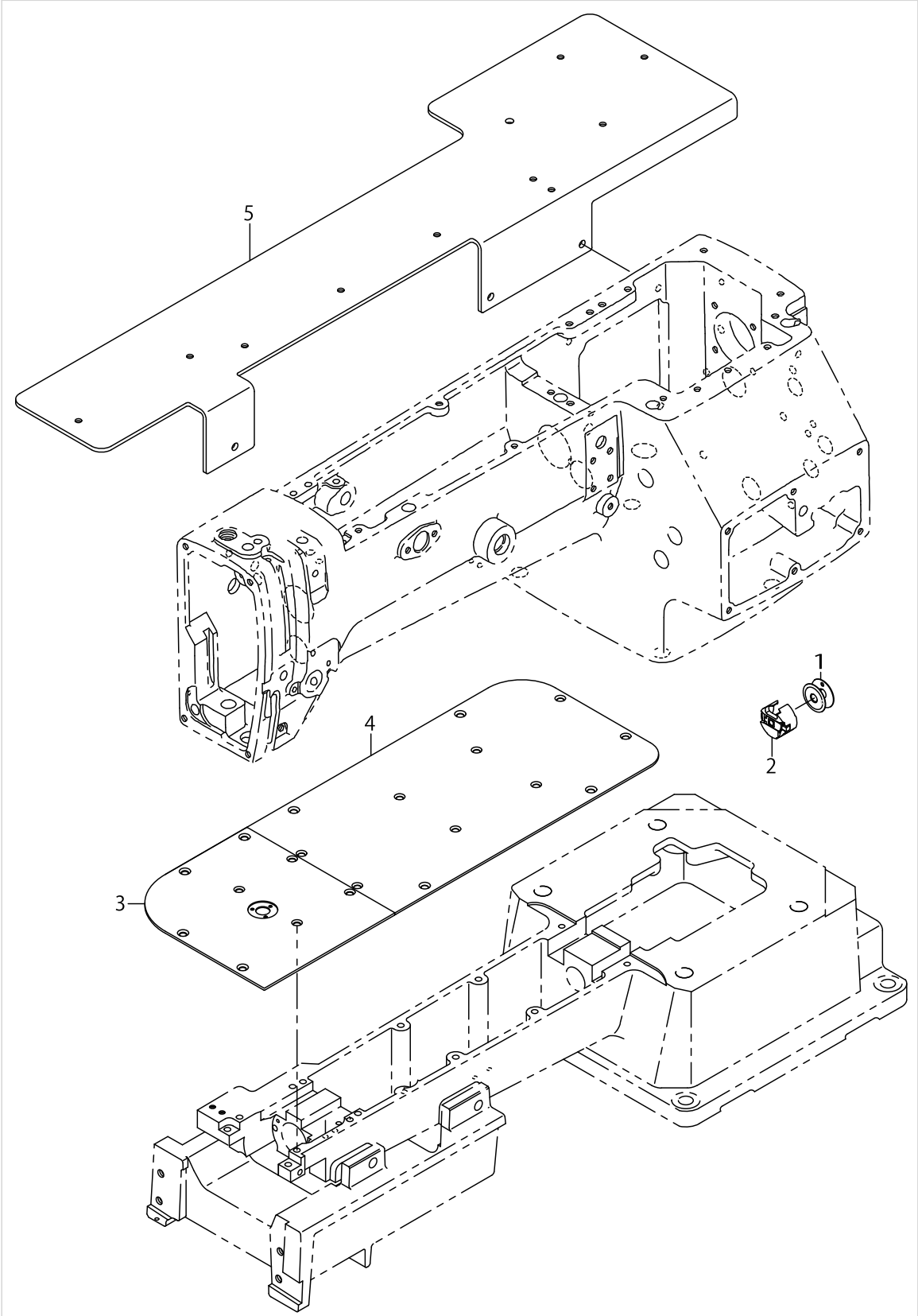
ACCESSORIES COMPONENTS



ACCESSORIES COMPONENTS

| No. | Supply Code | Parts No.   | Replacement | Parts name                   | Remarks | Choice | Step | Level | Cons | Qty | Rep. QTY |
|-----|-------------|-------------|-------------|------------------------------|---------|--------|------|-------|------|-----|----------|
| 1   | R           | MC20053130T | MC200531300 | NEEDLE 134SERV7 NM130-10     |         |        |      |       |      | 1   | 1.00     |
| 2   | R           | B9101552000 | 22932800    | ACCESSORY BOX                |         |        |      |       |      | 1   | 1.00     |
| 3   |             | B8601WP10A0 |             | TOOL BOX ASM.                |         |        |      |       |      | 1   |          |
| 4   |             | G1817875000 |             | BOBBIN                       |         |        |      |       |      | 3   |          |
| 5   |             | GAW025010A0 |             | BOBBIN ASM.                  |         |        |      |       |      | 4   |          |
| 6   |             | GAW02502000 |             | BOBBIN CASE                  |         |        |      |       |      | 2   |          |
| 7   |             | GAW02522000 |             | CHUCK RELAY TUBE             |         |        |      |       |      | 1   |          |
| 8   |             | J106600000A |             | HEXAGONAL ROD S-PANNER 1.5MM |         |        |      |       |      | 1   |          |
| 9   |             | 11851102    |             | SCREW WRENCH                 |         |        |      |       |      | 1   |          |
| 10  |             | D1113126WA0 |             | NEEDLE THREAD GUIDE PIN ASM. |         |        |      |       |      | 1   |          |
| 11  |             | 16111403    |             | AIR GUN                      |         |        |      |       |      | 1   |          |
| 12  |             | PJ301065103 |             | HALF UNION 6XPT1/8           |         |        |      |       |      | 1   |          |
| 13  |             | G5458116000 |             | CURLED TUBE                  |         |        |      |       |      | 1   |          |
| 14  |             | G6007875000 |             | FOLDING UNIT INSTALLING KNOB |         |        |      |       |      | 2   |          |
| 15  |             | WP0550836SC |             | WASHER 5.5X12X0.8            |         |        |      |       |      | 2   |          |
| 16  |             | MDFRX1600C0 |             | DEFRIX OIL NO.1(600CC)       |         |        |      |       |      | 2   |          |
| 17  | R           | B9109555000 | 22933006    | SCREW DRIVER, LARGE          |         |        |      |       |      | 1   | 1.00     |
| 18  | R           | B9110012000 | 22933105    | SCREW DRIVER, MIDDLE         |         |        |      |       |      | 1   | 1.00     |
| 19  | R           | B9111012000 | 22933204    | SCREW DRIVER, SMALL          |         |        |      |       |      | 1   | 1.00     |
| 20  |             | J1071000000 |             | SCREW DRIVER                 |         |        |      |       |      | 1   |          |
| 21  |             | D9103555D00 |             | WRENCH 6X7                   |         |        |      |       |      | 2   |          |
| 22  |             | B9110804000 |             | WRENCH (8X9)                 |         |        |      |       |      | 1   |          |
| 23  |             | B9109804000 |             | WRENCH (5X6)                 |         |        |      |       |      | 1   |          |
| 24  |             | PJ309005201 |             | PLUG                         |         |        |      |       |      | 1   |          |
| 25  |             | B9141372000 |             | HEXAGONAL WRENCH, LARGE      |         |        |      |       |      | 1   |          |
| 26  |             | B9140372000 |             | HEXAGONAL WRENCH, SMALL      |         |        |      |       |      | 1   |          |
| 27  |             | GCT02906000 |             | HEXAGONAL SPANNER            |         |        |      |       |      | 1   |          |
| 28  |             | B9142372000 |             | HEXAGONAL WRENCH (7.1X8.1)   |         |        |      |       |      | 1   |          |
| 29  |             | B9101490000 |             | DRIVER                       |         |        |      |       |      | 1   |          |
| 30  |             | G9101875000 |             | HOOK TIMING GAUGE            |         |        |      |       |      | 1   |          |
| 31  |             | 13160601    |             | FUNNEL                       |         |        |      |       |      | 1   |          |
| 32  |             | 40055297    |             | HEAD COVER                   |         |        |      |       |      | 1   |          |

EXCLUSIVE PARTS FOR AW-2(1)

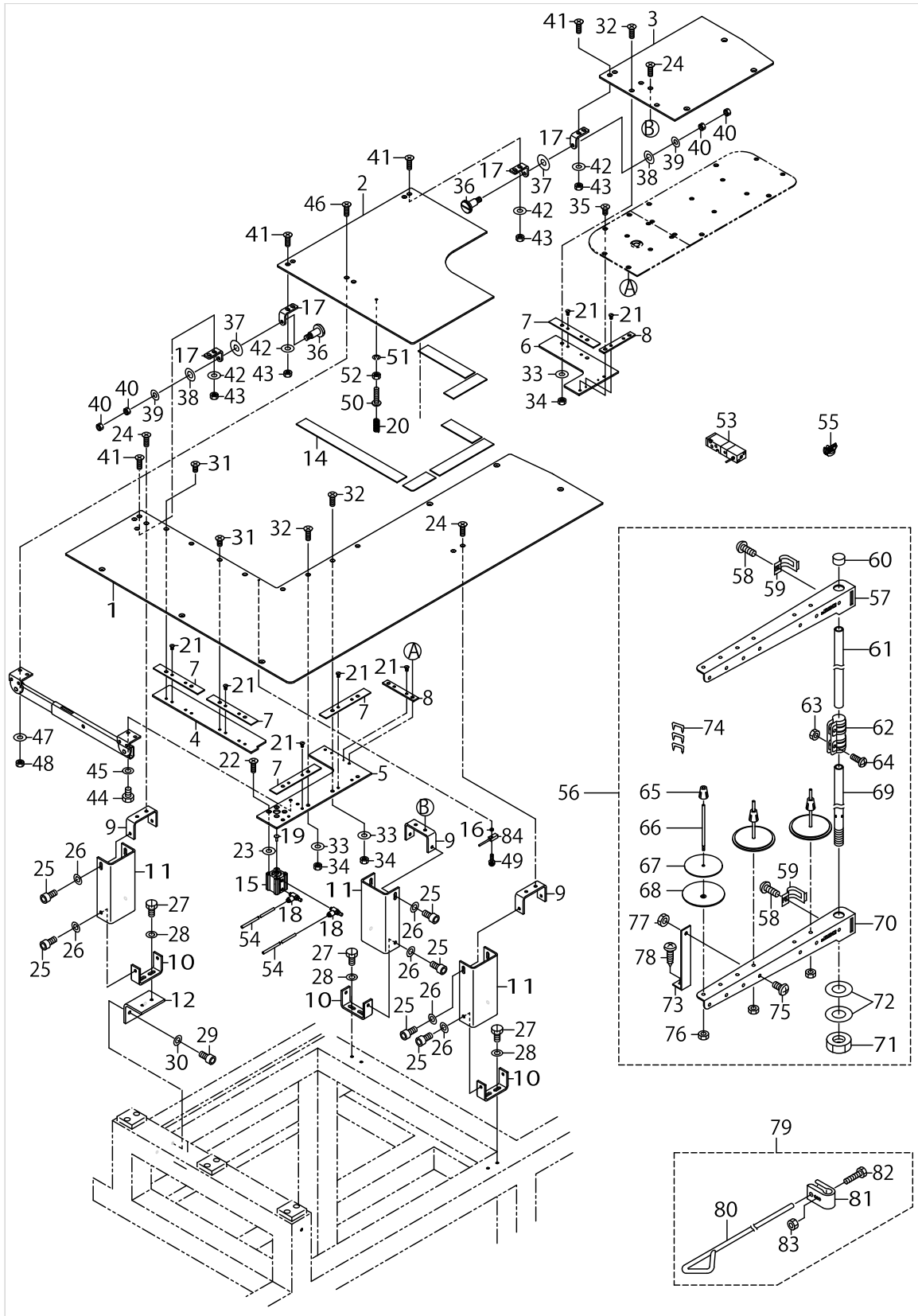


EXCLUSIVE PARTS FOR AW-2(1)

| No. | Supply Code | Parts No.    | Replacement | Parts name                  | Remarks | Choice | Step | Level | Cons | Qty | Rep.<br>QTY |
|-----|-------------|--------------|-------------|-----------------------------|---------|--------|------|-------|------|-----|-------------|
| 1   |             | GAW025010A0A |             | BOBBIN ASM.                 |         |        |      |       |      | 1   |             |
| 2   |             | GAW025020A0  |             | BOBBIN CASE ASM.            |         |        |      |       |      | 1   |             |
| 3   |             | G2420875A00  |             | NEEDLE PLATE A              |         |        |      |       |      | 1   |             |
| 4   |             | G2421875A00  |             | NEEDLE PLATE B              |         |        |      |       |      | 1   |             |
| 5   |             | G8033875A00  |             | BOBBIN DEVICE FITTING PLATE |         |        |      |       |      | 1   |             |



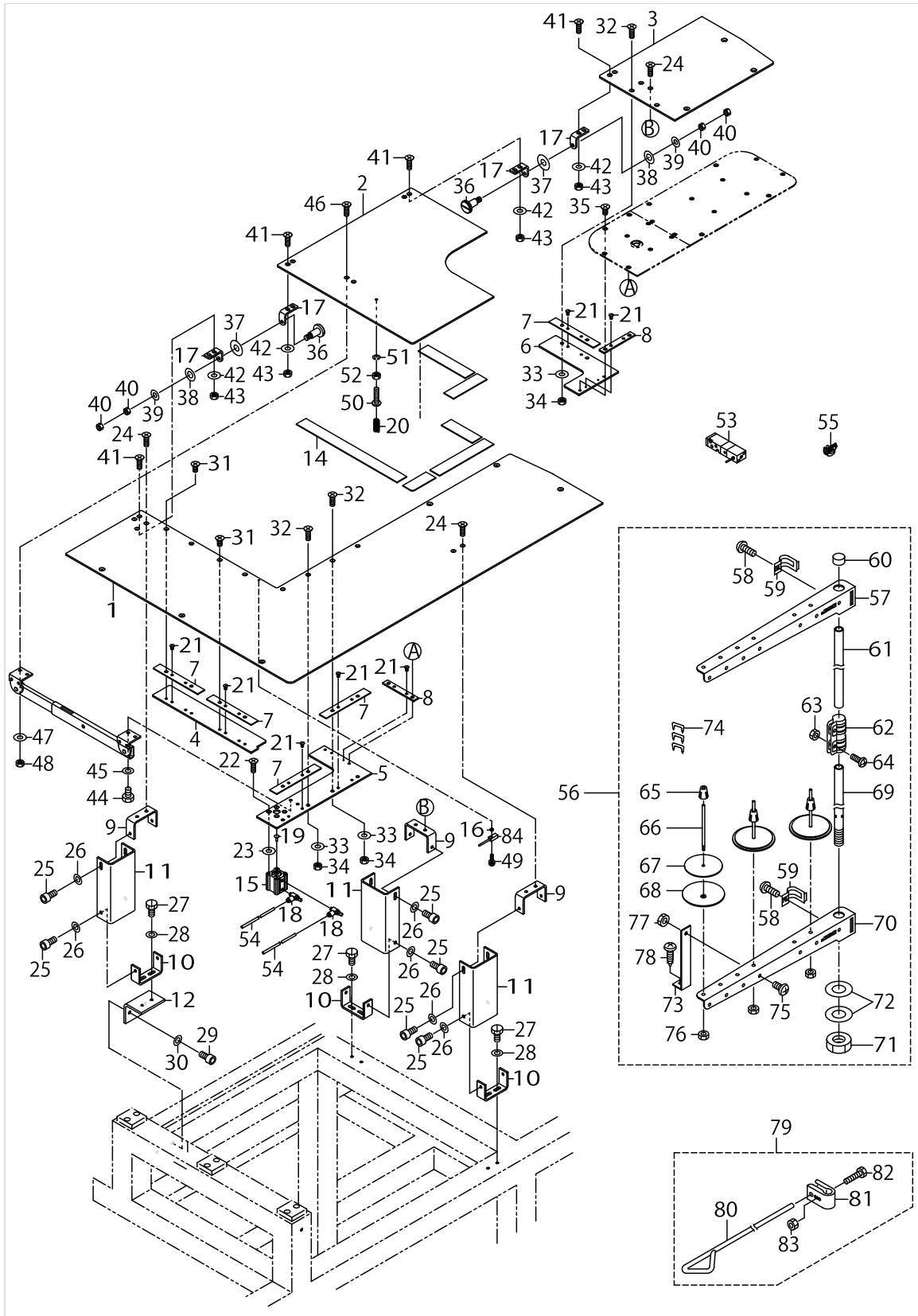
EXCLUSIVE PARTS FOR AW-2(2)



EXCLUSIVE PARTS FOR AW-2(2)

| No. | Supply Code | Parts No.   | Replacement | Parts name                  | Remarks | Choice | Step | Level | Cons | Qty | Rep. QTY |
|-----|-------------|-------------|-------------|-----------------------------|---------|--------|------|-------|------|-----|----------|
| 1   |             | G8101875000 |             | TABLE B1                    |         |        |      |       |      | 1   |          |
| 2   |             | G8102875000 |             | TABLE B2                    |         |        |      |       |      | 1   |          |
| 3   |             | G8103875000 |             | TABLE B3                    |         |        |      |       |      | 1   |          |
| 4   |             | G8104875000 |             | MAGNET PLATE A              |         |        |      |       |      | 1   |          |
| 5   |             | G8105875000 |             | MAGNET PLATE B              |         |        |      |       |      | 1   |          |
| 6   |             | G8106875000 |             | MAGNET PLATE C              |         |        |      |       |      | 1   |          |
| 7   |             | G8107875000 |             | MAGNET SPACER A             |         |        |      |       |      | 5   |          |
| 8   |             | G8108875000 |             | MAGNET SPACER B             |         |        |      |       |      | 2   |          |
| 9   |             | G8109875000 |             | TABLESUPPORTERA             |         |        |      |       |      | 3   |          |
| 10  |             | G8110875000 |             | TABLESUPPORTERB             |         |        |      |       |      | 3   |          |
| 11  |             | G8111875000 |             | TABLESUPPORTERC             |         |        |      |       |      | 3   |          |
| 12  |             | G8112875000 |             | TABLESUPPORTERD             |         |        |      |       |      | 1   |          |
| 13  |             | G8115875000 |             | ONETOUCH STAY               |         |        |      |       |      | 1   |          |
| 14  |             | G8116875000 |             | RUBBER MAGNET               |         |        |      |       |      | 1   |          |
| 15  |             | PA160152400 |             | CYLINDER                    |         |        |      |       |      | 1   |          |
| 16  |             | G5841830000 |             | SPACER                      |         |        |      |       |      | 1   |          |
| 17  |             | 14002604    |             | REAR COVER INSTALLING PLATE |         |        |      |       |      | 4   |          |
| 18  |             | PC010508000 |             | SPEED CONTROLLER            |         |        |      |       |      | 2   |          |
| 19  |             | HX00236000A |             | CLAMP                       |         |        |      |       |      | 1   |          |
| 20  |             | 22924906    |             | OIL REGULATOR SCREW SPRING  |         |        |      |       |      | 1   |          |
| 21  |             | SM1020450TP |             | SCREW M2 L=4                |         |        |      |       |      | 14  |          |
| 22  |             | SM1041201SC |             | SCREW M4 L=12               |         |        |      |       |      | 4   |          |
| 23  |             | WP0482086SD |             | WASHER 4.8X11.5X2           |         |        |      |       |      | 4   |          |
| 24  |             | SM1041201SC |             | SCREW M4 L=12               |         |        |      |       |      | 6   |          |
| 25  |             | SM6051002TN |             | BOLT                        |         |        |      |       |      | 12  |          |
| 26  |             | WP0531001SC |             | WASHER                      |         |        |      |       |      | 12  |          |
| 27  |             | SM9051050SC |             | SCREW M5X0.8 L=10           |         |        |      |       |      | 6   |          |
| 28  |             | WP0531001SC |             | WASHER                      |         |        |      |       |      | 6   |          |
| 29  |             | SM6051002TN |             | BOLT                        |         |        |      |       |      | 2   |          |
| 30  |             | WP0531001SC |             | WASHER                      |         |        |      |       |      | 2   |          |
| 31  |             | SM1040801SC |             | SCREW M4X0.7 L=8            |         |        |      |       |      | 4   |          |
| 32  |             | SM1041201SC |             | SCREW M4 L=12               |         |        |      |       |      | 6   |          |
| 33  |             | WP0482086SD |             | WASHER 4.8X11.5X2           |         |        |      |       |      | 6   |          |
| 34  |             | NM6040001SC |             | NUT M4                      |         |        |      |       |      | 6   |          |
| 35  |             | SM1040801SP |             | SCREW M4X0.7 L=8            |         |        |      |       |      | 4   |          |
| 36  |             | SD0601021SP |             | HINGE SCREW D=6 H=10.2      |         |        |      |       |      | 2   |          |
| 37  |             | WP0612516SD |             | WASHER 6.1X15.2X2.5         |         |        |      |       |      | 2   |          |
| 38  |             | WP0641601SD |             | WASHER M6                   |         |        |      |       |      | 2   |          |
| 39  |             | WP0450801SD |             | WASHER 4.5X10X0.8           |         |        |      |       |      | 2   |          |
| 40  |             | NS6110310SP |             | NUT 11/64-40                |         |        |      |       |      | 4   |          |
| 41  |             | SM1041201SC |             | SCREW M4 L=12               |         |        |      |       |      | 8   |          |
| 42  |             | WP0482086SD |             | WASHER 4.8X11.5X2           |         |        |      |       |      | 8   |          |
| 43  |             | NM6040001SC |             | NUT M4                      |         |        |      |       |      | 8   |          |
| 44  |             | SM9050813SC |             | SCREW M5X0.8 L=8            |         |        |      |       |      | 2   |          |
| 45  |             | WP0531001SC |             | WASHER                      |         |        |      |       |      | 2   |          |
| 46  |             | SM1041201SC |             | SCREW M4 L=12               |         |        |      |       |      | 2   |          |

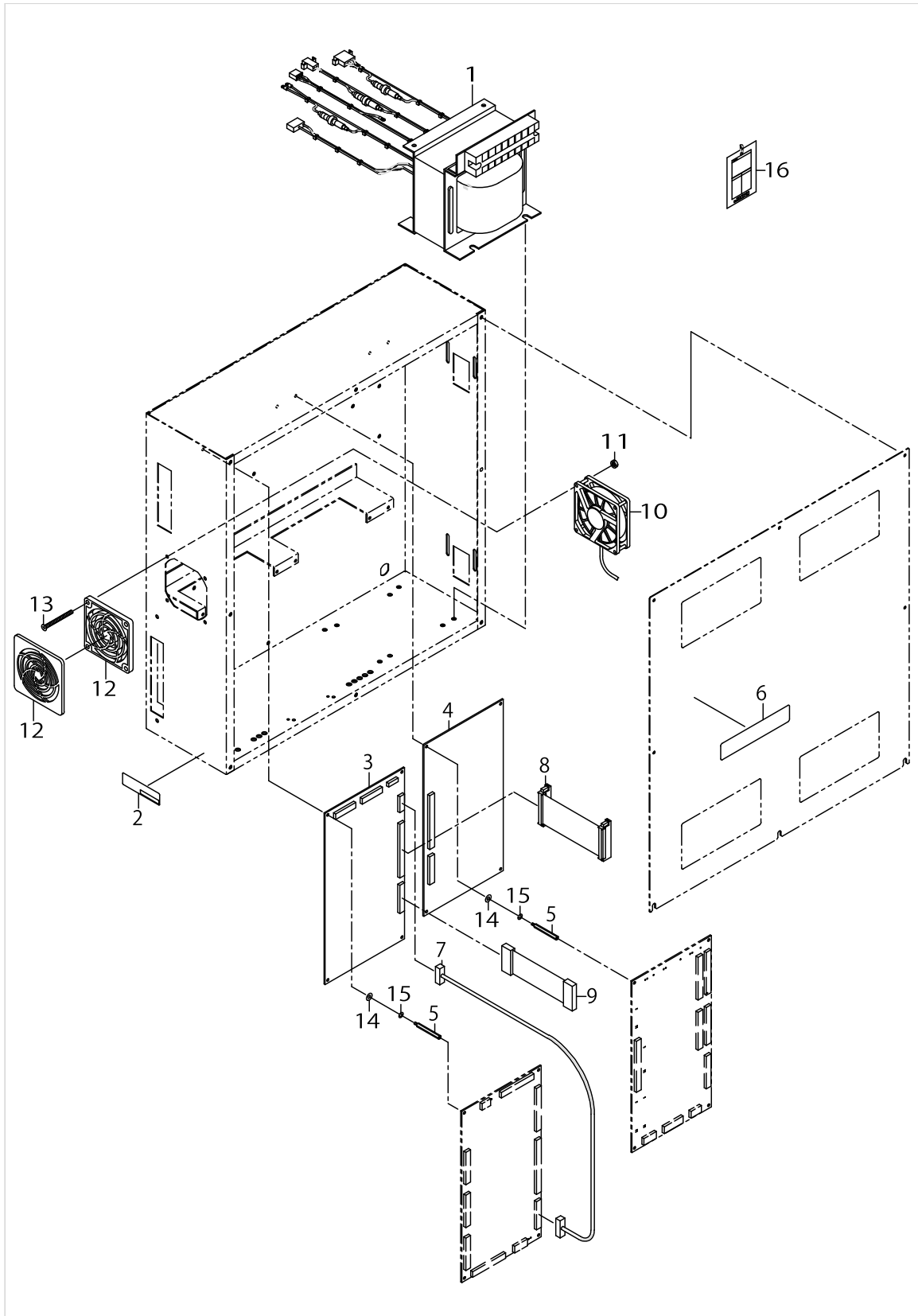
EXCLUSIVE PARTS FOR AW-2(2)



EXCLUSIVE PARTS FOR AW-2(2)

| No. | Supply Code | Parts No.    | Replacement | Parts name                | Remarks | Choice | Step        | Level | Cons | Qty | Rep. QTY |
|-----|-------------|--------------|-------------|---------------------------|---------|--------|-------------|-------|------|-----|----------|
| 47  |             | WP0482086SD  |             | WASHER 4.8X11.5X2         |         |        |             |       |      | 2   |          |
| 48  |             | NM6040001SC  |             | NUT M4                    |         |        |             |       |      | 2   |          |
| 49  |             | SL4851091SC  |             | SCREW                     |         |        |             |       |      | 1   |          |
| 50  | D           | SM4041601SC  |             | SCREW M4X0.7 L=16         |         |        |             |       |      | 1   |          |
| 51  |             | WS0410002KN  |             | SPRING WASHER             |         |        |             |       |      | 1   |          |
| 52  |             | NM6040001SC  |             | NUT M4                    |         |        |             |       |      | 1   |          |
| 53  |             | PV150208000  |             | SOLENOID VALVE            |         |        |             |       |      | 2   |          |
| 54  |             | BT0400251EB  |             | URETHANE HOSE, BLACK      |         |        |             |       |      | 10  |          |
| 55  | R           | G1816875000  | G18168750A0 | BOBBIN CASE               |         |        |             |       |      | 1   | 1.00     |
| 56  | R           | D3301772TAB  | 26105551    | THREAD STAND ASM.         |         | A      | LBH,MOL,AVP |       |      | 1   | 1.00     |
| 56  | R           | D3301772TAB  | 26910158    | THREAD STAND ASM.         |         | B      | LG,LH,LU    |       |      | 1   | 1.00     |
| 57  | R           | B3319704L00  | 22931208    | THREAD GUIDE              |         |        |             | *     |      | 1   | 1.00     |
| 58  |             | SM6061610SC  |             | SCREW M6 L=16             |         |        |             | *     |      | 2   |          |
| 59  |             | B3318704L00A |             | THREAD GUIDE ARM JOINT    |         |        |             | *     |      | 2   |          |
| 60  | R           | B3311704000  | 22931406    | SPOOL REST ROD CAP        |         |        |             | *     |      | 1   | 1.00     |
| 61  | R           | 11185204     | 40096354    | SPOOL REST ROD,UPPER      |         |        |             | *     |      | 1   | 1.00     |
| 62  | R           | B3305704000A | 40096354    | SPOOL REST ROD JOINT      |         |        |             | *     |      | 1   | 1.00     |
| 63  |             | NM6050001SE  |             | NUT M5                    |         |        |             | *     |      | 2   |          |
| 64  |             | SM4051405SE  |             | SCREW M5 L=14             |         |        |             | *     |      | 2   |          |
| 65  | D           | 11185501     |             | SPOOL RETAINER            |         |        |             | *     |      | 3   |          |
| 66  | R           | B3320704L00A | 40085790    | SPOOL PIN                 |         |        |             | *     |      | 3   | 1.00     |
| 67  | D           | B3311012000  |             | SPOOL REST CUSHION        |         |        |             | *     |      | 3   |          |
| 68  | R           | 11966504     | 22930804    | SPOOL REST                |         |        |             | *     |      | 3   | 1.00     |
| 69  | R           | 11185105     | 40096354    | SPOOL REST ROD,LOWER      |         |        |             | *     |      | 1   | 1.00     |
| 70  | R           | 11969508     | 13168802    | SPOOL REST ARM A          |         |        |             | *     |      | 1   | 1.00     |
| 71  | R           | B3317704000  | NM6160511SE | NUT                       |         |        |             | *     |      | 1   | 1.00     |
| 72  |             | WP1612616SE  |             | WASHER 16X30X2.6          |         |        |             | *     |      | 2   |          |
| 73  |             | B3321704L00  |             | SPOOL REST ARM SUPPORT, A |         |        |             | *     |      | 1   |          |
| 74  |             | MAO11532000  |             | CORD STAPLE               |         |        |             | *     |      | 3   |          |
| 75  |             | SM4061201SE  |             | SCREW M6 L=12             |         |        |             | *     |      | 1   |          |
| 76  |             | NM6050001SE  |             | NUT M5                    |         |        |             | *     |      | 3   |          |
| 77  |             | NM6060001SE  |             | NUT M6                    |         |        |             | *     |      | 1   |          |
| 78  |             | SK3382001SE  |             | SCREW D=3.8 L=20          |         |        |             | *     |      | 1   |          |
| 79  |             | B33094810A0  |             | THREAD GUIDE ARM ASM.     |         |        |             |       |      | 1   |          |
| 80  | D           | B3309481000  |             | THREAD GUIDE, LOWER       |         |        |             | *     |      | 1   |          |
| 81  | D           | B3304704000A |             | THREAD GUIDE ARM HOLDER   |         |        |             | *     |      | 1   |          |
| 82  |             | SM6052700SC  |             | SCREW M5 L=27             |         |        |             | *     |      | 1   |          |
| 83  |             | NM6050001SC  |             | NUT M5                    |         |        |             | *     |      | 1   |          |
| 84  |             | HD00155000C  |             | PROXIMITY SWITCH          |         |        |             |       |      | 1   |          |

EXCLUSIVE PARTS FOR AW-2(3)



EXCLUSIVE PARTS FOR AW-2(3)

| No. | Supply Code | Parts No.   | Replacement | Parts name                     | Remarks | Choice | Step | Level | Cons | Qty | Rep. QTY |
|-----|-------------|-------------|-------------|--------------------------------|---------|--------|------|-------|------|-----|----------|
| 1   |             | M89015760A0 |             | TRANSFORMER ASM.               |         |        |      |       |      | 1   |          |
| 2   |             | M9901576000 |             | PATING NAME PLATE              |         |        |      |       |      | 1   |          |
| 3   |             | GAW028010B0 |             | AW2 CPU CIRCUIT BOARD MAS.ASM. |         |        |      |       |      | 1   |          |
| 4   |             | GAW028020A0 |             | AW2 DRV CIRCUIT BOARD ASM.     |         |        |      |       |      | 1   |          |
| 5   |             | HX00354000K |             | BASE SUPPORT                   |         |        |      |       |      | 8   |          |
| 6   |             | M3009510000 |             | FAN CLEANING LABLE             |         |        |      |       |      | 1   |          |
| 7   | D           | GAW028350A0 |             | AVP IF CORD ASM.               |         |        |      |       |      | 1   |          |
| 8   |             | GAW02831000 |             | CPU-DRV CONNEC-TING CORD ASM.  |         |        |      |       |      | 1   |          |
| 9   |             | GAW028320A0 |             | CPU-DRV POWER CORD ASM.        |         |        |      |       |      | 1   |          |
| 10  |             | GAW028390A0 |             | FAN MOTOR ASM.                 |         |        |      |       |      | 1   |          |
| 11  |             | NM6030003SC |             | NUT M3                         |         |        |      |       |      | 2   |          |
| 12  |             | HM000860010 |             | FAN FILTER                     |         |        |      |       |      | 1   |          |
| 13  |             | SM1033501SC |             | SCREW M3X0.5 L=35              |         |        |      |       |      | 2   |          |
| 14  |             | WP0320501SC |             | WASHER M3                      |         |        |      |       |      | 8   |          |
| 15  |             | WS0310002KN |             | SPRING WASHER M3               |         |        |      |       |      | 8   |          |
| 16  |             | M85025760A0 |             | ACCESSORIES ASM.               |         |        |      |       |      | 1   |          |

LIST FOR INFORMATION OF CHANGE

As to the place changed, refer to the corresponding Rev.No.  
When previous parts (Obsoleted part) and new parts (Added parts) are not interchangeable with each other:  
In this case, even obsoleted parts (D.) can be ordered with the obsoleted part number, so select the parts with changed dates and place your orders.

変更箇所は、該当Rev.No.版をご参照ください。

部品の互換性がない変更の場合は、削除された品番でも、ご注文できます。

29302205

No.1198-06・・・Rev.No.

\*A: Added parts 追加部品 / D: Obsoleted parts 削除部品 / E: Erratum 訂正

| * Rev. No. | Page No. | Ref. No. | Parts No. 品番  | * Rev. No. | Page No. | Ref. No. | Parts No. 品番  |
|------------|----------|----------|---------------|------------|----------|----------|---------------|
| D 05       | 4        | 39       | G1221-875-0A0 | A 06       | 4        | 39       | 400-85927     |
| D 05       | 4        | 40       | G1221-875-000 | A 06       | 4        | 40       | HM-0021200-00 |
|            |          |          |               | A 06       | 4        | 41       | 400-85926     |
| D 05       | 20       | 41       | NS-6150430-SP | A 06       | 20       | 41       | NS-6120310-SP |
| D 05       | 26       | 7        | G5022-875-000 | A 06       | 26       | 7        | HM-0021200-00 |
| D 05       | 28       | 17       | G5022-875-000 | A 06       | 28       | 17       | HM-0021200-00 |
| D 05       | 52       | 51       | SM-6081202-TP | A 06       | 52       | 51       | SL-9082093-SE |
| D 05       | 52       | 52       | WP-0841601-SC |            |          |          |               |
| D 05       | 56       | 14       | SM-6051002-TN |            |          |          |               |
| D 05       | 56       | 15       | WP-0531001-SC |            |          |          |               |
| D 05       | 62       | 64       | HX-0029700-00 | A 06       | 62       | 64       | KX-0000001-10 |
|            |          |          |               | A 06       | 62       | 67       | 400-40278     |
|            |          |          |               | A 06       | 62       | 68       | SL-4040891-SC |
|            |          |          |               |            |          |          |               |
|            |          |          |               |            |          |          |               |
|            |          |          |               |            |          |          |               |
|            |          |          |               |            |          |          |               |
|            |          |          |               |            |          |          |               |
|            |          |          |               |            |          |          |               |
|            |          |          |               |            |          |          |               |
|            |          |          |               |            |          |          |               |
|            |          |          |               |            |          |          |               |
|            |          |          |               |            |          |          |               |
|            |          |          |               |            |          |          |               |
|            |          |          |               |            |          |          |               |
|            |          |          |               |            |          |          |               |
|            |          |          |               |            |          |          |               |
|            |          |          |               |            |          |          |               |
|            |          |          |               |            |          |          |               |
|            |          |          |               |            |          |          |               |
|            |          |          |               |            |          |          |               |
|            |          |          |               |            |          |          |               |
|            |          |          |               |            |          |          |               |
|            |          |          |               |            |          |          |               |
|            |          |          |               |            |          |          |               |
|            |          |          |               |            |          |          |               |
|            |          |          |               |            |          |          |               |
|            |          |          |               |            |          |          |               |

## HOW TO MAKE USE OF THIS PARTS LIST

### 1.Explanation of codes

1)"\*"mark.....means this part is changed from the previous parts book.

As to the details of the change, refer to the "List for information of change".

2)"#01".....refer to "Note" explanation at bottom of page.

### 2.Codes on the "Qty" column

• Each numeral indicates the number of parts required.

• "0.1" and "2.5" indicate the length (in meters) of the respective parts.

3.Parentheses mean that the corresponding part is a subpart that constructs an assembly part.

4.Dotted lines on the Figures indicate assembly parts.

### 1."注記"欄の記号説明

1) "\*"印.....前回のパーツブックに比較して今回変更された部品を意味します。

変更内容は、"変更情報リスト"を参照してください。

2) "#01".....ページ下の"注記"の説明を参照してください。

2.数量欄の数字は、個数を表し、0.1、2.5等の数値は、長さ（単位メートル）を表します。

3.数量欄の（ ）は、組部品を構成している子部品であることを意味します。

4.イラストページの-----枠は、組構成であることを意味します。



# NUMERICAL INDEX OF PARTS

| PART NO  | PAGE | REF NO. | PART NO  | PAGE | REF NO. | PART NO  | PAGE | REF NO. |
|----------|------|---------|----------|------|---------|----------|------|---------|
| 10004109 | 98   | 28      | 13715701 | 10   | 27      | 13924501 | 12   | 57      |
| 10126803 | 34   | 58      | 13715909 | 10   | 32      | 13924600 | 10   | 34      |
| 10502300 | 96   | 8       | 13716006 | 10   | 31      | 13925102 | 10   | 38      |
| 11001005 | 2    | 37      | 13716105 | 14   | 34      | 13940804 | 32   | 10      |
| 11004207 | 8    | 6       | 13716303 | 14   | 12      | 13940903 | 34   | 57      |
| 11017068 | 12   | 47      | 13716808 | 16   | 50      | 13941307 | 32   | 27      |
| 11018504 | 22   | 57      | 13716907 | 16   | 49      | 13941604 | 32   | 43      |
| 11021003 | 2    | 25      | 13717004 | 14   | 32      | 13941653 | 32   | 42      |
| 11021003 | 6    | 53      | 13717400 | 14   | 36      | 13941802 | 34   | 47      |
| 11040854 | 30   | 3       | 13718705 | 10   | 19      | 14002604 | 112  | 17      |
| 11041852 | 30   | 10      | 13718754 | 10   | 18      | 14208409 | 18   | 15      |
| 11042850 | 24   | 36      | 13718804 | 10   | 20      | 16111403 | 108  | 11      |
| 11072204 | 20   | 50      | 13718903 | 10   | 16      | 16870206 | 82   | 61      |
| 11072204 | 22   | 50      | 13719000 | 10   | 24      | 17845009 | 98   | 41      |
| 11073954 | 2    | 20      | 13719000 | 14   | 25      | 22507701 | 10   | 42      |
| 11091600 | 12   | 52      | 13719109 | 10   | 10~14   | 22902506 | 18   | 5       |
| 11094307 | 30   | 5       | 13719208 | 10   | 10~14   | 22903108 | 4    | 9       |
| 11094406 | 30   | 9       | 13719307 | 10   | 10~14   | 22903157 | 4    | 5       |
| 11094604 | 30   | 21      | 13719406 | 10   | 10~14   | 22907505 | 18   | 12      |
| 11096054 | 30   | 4       | 13719505 | 10   | 10~14   | 22907604 | 18   | 13      |
| 11185105 | 114  | 69      | 13719802 | 2    | 13      | 22921001 | 22   | 58      |
| 11185204 | 114  | 61      | 13721006 | 30   | 23      | 22924906 | 36   | 4       |
| 11185501 | 114  | 65      | 13724505 | 80   | 29      | 22924906 | 112  | 20      |
| 11273505 | 26   | 16      | 13728506 | 32   | 28      | 22925002 | 36   | 3       |
| 11315108 | 64   | 60      | 13730304 | 12   | 59      | 22948400 | 30   | 22      |
| 11315108 | 68   | 12      | 13751607 | 32   | 14      | 22949101 | 30   | 6       |
| 11404753 | 24   | 17      | 13761200 | 20   | 16      | 22949200 | 30   | 7       |
| 11409257 | 26   | 6       | 13761309 | 20   | 14      | 22949309 | 30   | 8       |
| 11409604 | 26   | 8       | 13761507 | 20   | 9       | 22949754 | 30   | 11      |
| 11409802 | 26   | 7       | 13765201 | 32   | 45      | 22950000 | 26   | 28      |
| 11528809 | 44   | 16      | 13765607 | 32   | 31      | 22950356 | 28   | 50      |
| 11851102 | 108  | 9       | 13765706 | 32   | 3       | 22950703 | 30   | 12      |
| 11911203 | 24   | 12      | 13765805 | 32   | 4       | 22950950 | 24   | 18      |
| 11966504 | 114  | 68      | 13765904 | 32   | 1       | 25023300 | 60   | 29      |
| 11969508 | 114  | 70      | 13766407 | 32   | 17      | 40009095 | 16   | 51      |
| 12109302 | 52   | 17      | 13766506 | 32   | 18      | 40009661 | 68   | 1       |
| 12288908 | 4    | 36      | 13766605 | 32   | 20      | 40010748 | 66   | 13      |
| 13160601 | 108  | 31      | 13767405 | 32   | 22      | 40013391 | 66   | 12      |
| 13705207 | 2    | 15      | 13767603 | 32   | 15      | 40013846 | 80   | 25      |
| 13707500 | 4    | 10      | 13870258 | 96   | 3       | 40017666 | 68   | 10      |
| 13714407 | 12   | 53      | 13889951 | 96   | 17      | 40017667 | 68   | 11      |
| 13714704 | 10   | 37      | 13920509 | 2    | 16      | 40018635 | 66   | 1       |
| 13714803 | 10   | 35      | 13920608 | 10   | 41      | 40018636 | 66   | 2       |
| 13715404 | 10   | 2       | 13922208 | 2    | 11      | 40018637 | 66   | 3       |
| 13715503 | 10   | 3       | 13922901 | 4    | 21      | 40018638 | 66   | 4       |

# NUMERICAL INDEX OF PARTS

| PART NO      | PAGE | REF NO.  | PART NO      | PAGE | REF NO. | PART NO      | PAGE | REF NO. |
|--------------|------|----------|--------------|------|---------|--------------|------|---------|
| 40018639     | 66   | 5        | B1211980000  | 4    | 18      | B3126012000  | 20   | 45      |
| 40018640     | 66   | 6        | B1212210D00  | 20   | 37      | B3129012A00  | 20   | 46      |
| 40018641     | 66   | 7        | B1213552000A | 4    | 2       | B3132552000  | 20   | 48      |
| 40018642     | 66   | 9        | B1214038000  | 32   | 24      | B3132552000  | 22   | 48      |
| 40018643     | 66   | 10       | B1215552000  | 4    | 4       | B3212761000  | 96   | 7       |
| 40018804     | 66   | 8        | B1220771000  | 4    | 17      | B3304704000A | 114  | 81      |
| 40019845     | 68   | 2        | B1226552000  | 4    | 3       | B3305704000A | 114  | 62      |
| 40019846     | 68   | 3        | B13061550A0  | 8    | 1       | B3309481000  | 114  | 80      |
| 40019847     | 68   | 4        | B13061550A0  | 20   | 40      | B33094810A0  | 114  | 79      |
| 40019848     | 68   | 5        | B13071550A0  | 8    | 2       | B3311012000  | 114  | 67      |
| 40019849     | 68   | 6        | B13081550A0  | 24   | 20      | B3311704000  | 114  | 60      |
| 40019850     | 68   | 7        | B1410771000  | 10   | 5       | B3317704000  | 114  | 71      |
| 40019851     | 68   | 8        | B1414232000  | 10   | 7~9     | B3318704L00A | 114  | 59      |
| 40019852     | 68   | 9        | B141423200A  | 10   | 7~9     | B3319704L00  | 114  | 57      |
| 40019853     | 66   | 11       | B141423200B  | 10   | 7~9     | B3320704L00A | 114  | 66      |
| 40019854     | 66   | 14       | B1432761000  | 16   | 52      | B3321704L00  | 114  | 73      |
| 40019855     | 66   | 15       | B1504051000  | 18   | 16      | B3502210000  | 2    | 42      |
| 40019856     | 66   | 16       | B1504280000  | 2    | 24      | B3508220000  | 30   | 18      |
| 40019857     | 66   | 17       | B1505205000  | 40   | 25      | B3508220000  | 34   | 64      |
| 40019858     | 66   | 18       | B1516180000  | 56   | 32      | B3509220000  | 2    | 43      |
| 40040278     | 100  | 67       | B1611220000  | 18   | 14      | B3529226000  | 34   | 51      |
| 40040279     | 98   | 15·53·54 | B1618804000  | 26   | 31      | B3534155000  | 32   | 23      |
| 40040280     | 100  | 15·53·54 | B1619180000  | 70   | 51      | B3541012000  | 32   | 32      |
| 40040281     | 100  | 15·53·54 | B1632180000  | 62   | 36      | B3570771000  | 32   | 44      |
| 40044168     | 98   | 21·65·66 | B1632180000  | 68   | 13      | B5006222000  | 104  | 3       |
| 40044169     | 100  | 21·65·66 | B1816210000  | 68   | 14      | B8219125000  | 80   | 37      |
| 40044170     | 100  | 21·65·66 | B1850512000  | 34   | 48      | B8601WP10A0  | 108  | 3       |
| 40055174     | 14   | 9        | B1903552000  | 12   | 54      | B9101490000  | 108  | 29      |
| 40055175     | 14   | 15       | B1905541A00  | 12   | 48~51   | B9101552000  | 108  | 2       |
| 40055176     | 14   | 10       | B1905541B00  | 12   | 48~51   | B9109555000  | 108  | 17      |
| 40055297     | 108  | 32       | B1905541C00  | 12   | 48~51   | B9109804000  | 108  | 23      |
| 40057224     | 98   | 1        | B1905541D00  | 12   | 48~51   | B9110012000  | 108  | 18      |
| 40057237     | 98   | 2        | B2006372000  | 14   | 37      | B9110804000  | 108  | 22      |
| 40059352     | 102  | 15       | B2403232000  | 20   | 26      | B9111012000  | 108  | 19      |
| 40060768     | 102  | 1        | B2414761000  | 30   | 25      | B9140372000  | 108  | 26      |
| 40060779     | 102  | 7        | B255728000A  | 26   | 17      | B9141372000  | 108  | 25      |
| 40061638     | 102  | 2        | B2703210000  | 22   | 60      | B9142372000  | 108  | 28      |
| 40085926     | 4    | 41       | B3111761000  | 20   | 8       | BT0400251EB  | 18   | 7       |
| 40085927     | 4    | 39       | B3112761000  | 20   | 7       | BT0400251EB  | 22   | 65      |
| A1230500000A | 20   | 38       | B3114232000  | 20   | 4       | BT0400251EB  | 24   | 35      |
| B1125280000  | 2    | 18       | B3114771000  | 22   | 55      | BT0400251EB  | 30   | 39      |
| B1144210000  | 2    | 31       | B3118352000  | 32   | 46      | BT0400251EB  | 34   | 56      |
| B1144210000  | 22   | 66       | B3118552F00  | 20   | 13      | BT0400251EB  | 68   | 15      |
| B1152850000  | 84   | 32       | B3120125000  | 20   | 49      | BT0400251EB  | 92   | 61      |
| B1172581000A | 80   | 26       | B3120125000  | 22   | 49      | BT0400251EB  | 114  | 54      |

# NUMERICAL INDEX OF PARTS

| PART NO      | PAGE | REF NO. | PART NO      | PAGE | REF NO. | PART NO     | PAGE | REF NO. |
|--------------|------|---------|--------------|------|---------|-------------|------|---------|
| BT0500300EA  | 32   | 55      | E2314715000  | 40   | 20      | G1224870000 | 4    | 33      |
| BT0500300EA  | 34   | 55      | E2316715000  | 38   | 11      | G1225875000 | 6    | 64      |
| BT0500300EG  | 32   | 36      | E2321721000  | 40   | 22      | G1226870000 | 4    | 42      |
| BT0500300EG  | 36   | 1       | E2346700000  | 38   | 12      | G1227870000 | 6    | 55      |
| BT0600401EB  | 92   | 62      | E2368700000  | 40   | 23      | G1227875000 | 6    | 52      |
| BT0800501EB  | 90   | 21      | E2409715000  | 38   | 9       | G1228875000 | 6    | 49      |
| CM300100001  | 102  | 14      | E2409715000  | 40   | 19      | G1301875000 | 8    | 5       |
| CM300200001  | 18   | 31      | E2429715000  | 40   | 21      | G1302875000 | 8    | 3       |
| CM300200003  | 46   | 49      | E5006171000  | 62   | 42      | G1303870000 | 24   | 15      |
| CM300200003  | 50   | 58      | E5006171000  | 66   | 42      | G1401875000 | 10   | 40      |
| CM300200003  | 78   | 71      | EA9500B0100  | 34   | 54      | G14058750A0 | 12   | 55      |
| CM300300001  | 6    | 63      | EA9500B0100  | 76   | 35      | G14148750A0 | 10   | 1       |
| CM301300001  | 82   | 52      | EA9500B0100  | 80   | 35      | G1415875000 | 10   | 26      |
| CM500000001  | 82   | 80      | EA9500B0100  | 98   | 29      | G14158750A0 | 10   | 25      |
| CM500100001  | 82   | 81      | G1013192000  | 102  | 4       | G1416875000 | 10   | 28      |
| CQ202000000  | 32   | 34      | G1014192000  | 102  | 5       | G1421875000 | 14   | 1       |
| CQ252000000  | 2    | 44      | G1015192000  | 84   | 11      | G1422875000 | 14   | 20      |
| CQ3000000F0  | 10   | 44      | G1016192000  | 84   | 12      | G1423875000 | 14   | 21      |
| CQ3000000F0  | 32   | 35      | G1106870000  | 80   | 27      | G1424875000 | 14   | 7       |
| CQ303000000  | 32   | 33      | G1111875000  | 2    | 4       | G1426875000 | 14   | 17      |
| CS0640611SP  | 96   | 5       | G1112875000  | 2    | 7       | G1427875000 | 14   | 27      |
| CS079072BTH  | 30   | 30      | G1113875000  | 2    | 1       | G1428875000 | 14   | 29      |
| CS079073ASH  | 24   | 21      | G1116875000  | 2    | 10      | G1429875000 | 14   | 41      |
| CS0800816SH  | 68   | 44      | G1117875000  | 2    | 5       | G1430875000 | 14   | 42      |
| CS1000811SP  | 20   | 34      | G1118875000  | 2    | 8       | G1431875000 | 14   | 13      |
| CS120081ATN  | 38   | 39      | G1119875000  | 2    | 2       | G1601875000 | 18   | 2       |
| CS1201010SH  | 80   | 30      | G1120870000  | 2    | 23      | G16018750A0 | 18   | 1       |
| CS1401014SP  | 10   | 22      | G1131875000  | 2    | 26      | G1603875000 | 18   | 18      |
| CS1401014SP  | 14   | 39      | G1135870000  | 2    | 38      | G1604875000 | 18   | 21      |
| CS1501011TH  | 4    | 19      | G1154875000  | 2    | 36      | G1605870000 | 18   | 24      |
| D1113126WA0  | 108  | 10      | G1201875000  | 4    | 1       | G1606875000 | 18   | 22      |
| D1510491D00  | 18   | 20      | G1206875000  | 4    | 11      | G1610870000 | 18   | 26      |
| D2075772B00  | 62   | 41      | G12088700A0  | 4    | 13      | G1611870000 | 18   | 23      |
| D2075772B00  | 68   | 16      | G1211870000  | 24   | 16      | G1801875000 | 24   | 1       |
| D2419530D00  | 44   | 18      | G1212870000  | 4    | 15      | G1802875000 | 24   | 3       |
| D3158450B00A | 62   | 33      | G12138700A0  | 4    | 24      | G18028750A0 | 24   | 2       |
| D3158450B00A | 68   | 17      | G1213875000  | 20   | 35      | G1803875000 | 24   | 4       |
| D3301772TAB  | 114  | 56      | G1214870000  | 4    | 23      | G1804870000 | 24   | 31      |
| D3902481C00A | 20   | 39      | G1214875000  | 22   | 53      | G1805870000 | 24   | 32      |
| D6042555B00  | 104  | 13      | G1216870000  | 4    | 27      | G18068700B0 | 24   | 33      |
| D9103555D00  | 108  | 21      | G1217870000  | 4    | 28      | G1808870000 | 24   | 6       |
| E1022760000  | 42   | 71      | G1219870000  | 4    | 30      | G1810870000 | 24   | 8       |
| E2306715000  | 38   | 8       | G1220870000A | 4    | 26      | G18118700A0 | 24   | 9       |
| E2306715000  | 40   | 18      | G12228750A0  | 6    | 58      | G1813870000 | 24   | 11      |
| E2314715000  | 38   | 10      | G1223870000  | 4    | 32      | G18138700A0 | 24   | 10      |

# NUMERICAL INDEX OF PARTS

| PART NO     | PAGE | REF NO.  | PART NO      | PAGE | REF NO. | PART NO      | PAGE | REF NO. |
|-------------|------|----------|--------------|------|---------|--------------|------|---------|
| G18148750AA | 24   | 28·29·30 | G3509875000  | 34   | 62      | G5025875000  | 42   | 67      |
| G18148750AB | 24   | 28·29·30 | G3513870000  | 36   | 6       | G5026162000  | 80   | 34      |
| G1814875AA0 | 24   | 28·29·30 | G3514870000  | 36   | 5       | G5030171000  | 80   | 9       |
| G1816875000 | 114  | 55       | G3515870000  | 36   | 2       | G5171136000  | 60   | 11      |
| G18168750A0 | 24   | 7        | G3516875000  | 34   | 52      | G5176136000  | 60   | 12      |
| G1817875000 | 24   | 26       | G3517875000  | 32   | 26      | G5339171000  | 52   | 18      |
| G1817875000 | 108  | 4        | G35178750A0  | 32   | 25      | G5453161000  | 82   | 82      |
| G19028750A0 | 12   | 46       | G3518870000  | 36   | 18      | G5454161000  | 42   | 70      |
| G2301309000 | 20   | 43       | G3519870000  | 36   | 20      | G5458116000  | 108  | 13      |
| G23013090A0 | 20   | 42       | G3520870000  | 36   | 16      | G5501875000  | 44   | 1       |
| G2301875000 | 20   | 30       | G3522870000  | 32   | 12      | G5502875000  | 44   | 2       |
| G2302309000 | 20   | 44       | G3526870000  | 36   | 12      | G5503875000  | 44   | 3       |
| G2304875000 | 20   | 25       | G3526875000  | 26   | 35      | G5504875000  | 44   | 4       |
| G2305875000 | 20   | 18       | G3527870000  | 36   | 13      | G5505875000  | 44   | 5       |
| G2306875000 | 20   | 19       | G3528870000  | 36   | 14      | G5506875000  | 44   | 6       |
| G2310875000 | 20   | 21       | G3528875000  | 36   | 7       | G5507875000  | 44   | 7       |
| G2313870000 | 22   | 59       | G3529870000  | 36   | 15      | G5508875000  | 44   | 8       |
| G2401870000 | 30   | 2        | G3529875000  | 36   | 8       | G5509875000  | 44   | 9       |
| G24018750A0 | 30   | 1        | G3531875000  | 32   | 8       | G5510875000  | 44   | 10      |
| G2402870000 | 30   | 20       | G35328750A0  | 2    | 41      | G5510875000  | 80   | 31      |
| G2403870000 | 30   | 29       | G5001875000  | 38   | 1       | G5511875000  | 44   | 11      |
| G2404870000 | 30   | 40       | G5002875000  | 38   | 2       | G5519164000  | 76   | 24      |
| G2405870000 | 26   | 40       | G5002875000  | 40   | 1       | G5523127000  | 84   | 13      |
| G2406870000 | 26   | 25       | G5003875000  | 38   | 3       | G5611341000  | 52   | 19      |
| G2407870000 | 26   | 26       | G5004875000  | 38   | 4       | G5841830000  | 112  | 16      |
| G2408870000 | 26   | 27       | G5005875000  | 38   | 5       | G6001875000  | 48   | 1       |
| G2409875000 | 26   | 4        | G5006870000  | 80   | 8       | G6002875000  | 48   | 2       |
| G24098750A0 | 26   | 3        | G5006875000  | 40   | 2       | G6003875000  | 48   | 3       |
| G2410870000 | 26   | 5        | G5007875000  | 40   | 3       | G6004875000  | 48   | 4       |
| G2414875000 | 28   | 47       | G5008875000  | 40   | 4       | G6005875000  | 48   | 5       |
| G2415875000 | 26   | 44       | G5009875000  | 40   | 5       | G6006875000  | 48   | 6       |
| G2416875000 | 26   | 45       | G5010875000  | 40   | 6       | G6007870000  | 48   | 14      |
| G2417875000 | 26   | 46       | G5011875000  | 40   | 7       | G6007875000  | 68   | 24      |
| G2418875000 | 26   | 12       | G5012875000  | 40   | 8       | G6007875000  | 108  | 14      |
| G2419875000 | 26   | 13       | G5013875000  | 40   | 9       | G6008870000  | 48   | 15      |
| G2420875000 | 26   | 14       | G5014875000A | 40   | 10      | G6008875000  | 48   | 8       |
| G2420875A00 | 110  | 3        | G5015875000  | 40   | 11      | G6009875000  | 48   | 9       |
| G2421875000 | 26   | 38       | G5016875000  | 40   | 12      | G6010003000  | 102  | 6       |
| G2421875A00 | 110  | 4        | G5017875000  | 40   | 13      | G6010870000  | 48   | 16      |
| G2422875000 | 26   | 15·42·43 | G5018875000  | 40   | 14      | G6010875000  | 62   | 9       |
| G242287500A | 26   | 15·42·43 | G5019875000  | 38   | 6       | G6011875000  | 62   | 10      |
| G242287500B | 26   | 15·42·43 | G5020875000  | 40   | 15      | G6012870000  | 52   | 11      |
| G2423870000 | 30   | 24       | G5021875000  | 40   | 16      | G6012875000A | 62   | 11      |
| G31018750A0 | 20   | 1        | G5023875000  | 38   | 23      | G6012875000A | 68   | 18      |
| G3216270000 | 96   | 10       | G5024875000  | 42   | 66      | G6013875000  | 62   | 12      |

NUMERICAL INDEX OF PARTS

| PART NO      | PAGE | REF NO. | PART NO      | PAGE | REF NO. | PART NO     | PAGE | REF NO. |
|--------------|------|---------|--------------|------|---------|-------------|------|---------|
| G6013875000  | 68   | 19      | G6040870000  | 48   | 18      | G6304875000 | 62   | 4       |
| G6014870000  | 52   | 12      | G6101875000  | 52   | 1       | G6305875000 | 62   | 5       |
| G6014880000  | 62   | 13      | G6102875000  | 52   | 2       | G6306875000 | 62   | 6       |
| G6014880000  | 68   | 20      | G6103875000  | 52   | 3       | G6307875000 | 62   | 7       |
| G6015875000  | 62   | 14      | G6104875000  | 52   | 4       | G6308875000 | 62   | 8       |
| G6015875000  | 68   | 21      | G6105875000  | 52   | 5       | G6314870000 | 62   | 35      |
| G6016870000A | 66   | 36      | G6106875000  | 52   | 6       | G6331875000 | 72   | 1       |
| G60168700A0  | 52   | 13      | G6108870000  | 52   | 14      | G6332875000 | 72   | 2       |
| G6016875000  | 62   | 15      | G6109870000  | 52   | 15      | G6335875000 | 74   | 1       |
| G6016875000  | 68   | 22      | G6110875000  | 72   | 3       | G6505880000 | 14   | 6       |
| G6017875000  | 62   | 16      | G6111870000  | 72   | 8       | G6508010000 | 42   | 64      |
| G6017875000  | 68   | 23      | G6112875000  | 74   | 3       | G7501875000 | 76   | 1       |
| G6018875000  | 62   | 17      | G6113875000  | 74   | 4-15    | G7502875000 | 76   | 2       |
| G6018875000  | 66   | 22      | G611387500A  | 74   | 4-15    | G7503875000 | 76   | 3       |
| G6019870000  | 72   | 7       | G6114875000  | 72   | 4       | G7503875000 | 80   | 28      |
| G6019875000  | 62   | 18      | G6115875000  | 72   | 5       | G7504875000 | 76   | 4       |
| G6020875000  | 62   | 19      | G6116875000  | 72   | 6       | G7505875000 | 76   | 5       |
| G6021875000  | 62   | 20      | G6117870000  | 80   | 7       | G7506875000 | 76   | 6       |
| G6022870000  | 62   | 38      | G6118870000  | 52   | 16      | G7507875000 | 76   | 7       |
| G6022870000  | 68   | 25      | G6118870000  | 76   | 22      | G7508875000 | 76   | 8       |
| G6022875000  | 62   | 21      | G6119875000A | 74   | 13      | G7509875000 | 76   | 9       |
| G6023870000  | 48   | 17      | G61198750A0  | 74   | 12      | G7510875000 | 76   | 10      |
| G6023875000  | 62   | 22      | G6120875000A | 74   | 10      | G7511875000 | 76   | 11      |
| G6024875000  | 62   | 23      | G61208750A0  | 74   | 9       | G7512875000 | 76   | 12      |
| G6024875000  | 68   | 42      | G6122875000  | 74   | 14      | G7513870000 | 76   | 20      |
| G6025875000  | 62   | 24      | G6201875000A | 56   | 1       | G7514875000 | 76   | 14      |
| G6026875000  | 62   | 25      | G6202875000  | 56   | 2       | G7515870000 | 84   | 7-33    |
| G6026875000  | 66   | 20      | G6203875000  | 56   | 3       | G7515875000 | 76   | 15      |
| G6027875000  | 62   | 26      | G6204875000  | 56   | 4       | G7516875000 | 76   | 16      |
| G6027875000  | 66   | 21      | G6205875000  | 56   | 5       | G7521870000 | 84   | 35      |
| G6028870000  | 48   | 19      | G6206875000  | 56   | 6       | G7521870000 | 104  | 5       |
| G6028875000  | 48   | 10      | G6207875000A | 56   | 7       | G7523870000 | 76   | 21      |
| G6029870000  | 48   | 20      | G6208875000A | 56   | 8       | G7524870000 | 76   | 31      |
| G6029875000  | 50   | 56      | G6210875000  | 56   | 9       | G7524870000 | 84   | 10      |
| G6030870000  | 48   | 21      | G6211875000  | 60   | 28      | G7524870000 | 104  | 6       |
| G6030875000  | 64   | 62      | G6212875000  | 56   | 27      | G7525870000 | 84   | 9       |
| G6030875000  | 66   | 23      | G6213875000  | 56   | 28      | G7525870000 | 104  | 7       |
| G6031870000  | 62   | 34      | G6214875000  | 56   | 29      | G8001875000 | 80   | 2       |
| G6031870000  | 68   | 26      | G6215875000  | 56   | 31      | G80018750A0 | 80   | 1       |
| G6031875000  | 62   | 31      | G62158750A0  | 56   | 30      | G8002875000 | 80   | 3       |
| G6031875000  | 68   | 27      | G62528750A0  | 60   | 7       | G8003875000 | 80   | 4       |
| G6032875000  | 62   | 32      | G6253875000  | 60   | 31      | G8004875000 | 80   | 5       |
| G6032875000  | 68   | 28      | G6301875000  | 62   | 1       | G8005875000 | 80   | 6       |
| G6033875000  | 62   | 39      | G6302875000  | 62   | 2       | G8006875000 | 84   | 1       |
| G6033875000  | 66   | 24      | G6303875000  | 62   | 3       | G8007875000 | 84   | 2       |

NUMERICAL INDEX OF PARTS

| PART NO     | PAGE | REF NO. | PART NO      | PAGE | REF NO. | PART NO     | PAGE | REF NO.  |
|-------------|------|---------|--------------|------|---------|-------------|------|----------|
| G8008875000 | 80   | 22      | G8211875000  | 88   | 11      | HA003550000 | 82   | 67·68·69 |
| G8009875000 | 80   | 23      | G8212875000  | 88   | 12      | HA003970000 | 82   | 67·68·69 |
| G8010875000 | 84   | 3       | G83018750A0A | 92   | 63      | HA004290000 | 86   | 45       |
| G8011870000 | 80   | 32      | G83048750A0  | 92   | 71      | HA00429000A | 86   | 47       |
| G8011875000 | 80   | 24      | G85048750A0  | 90   | 10      | HA004290010 | 86   | 48       |
| G8012870000 | 80   | 33      | G9001875000  | 104  | 14      | HA004300000 | 86   | 46       |
| G8013875000 | 84   | 4       | G90018750A0  | 104  | 1       | HD00155000C | 114  | 84       |
| G8014875000 | 84   | 5       | G90118750A0  | 106  | 16      | HE000110000 | 104  | 2        |
| G8015875000 | 84   | 6       | G90118750B0  | 106  | 1       | HK004440040 | 104  | 12       |
| G8016875000 | 84   | 7-33    | G9013875000  | 106  | 2       | HK034610120 | 94   | 78       |
| G8017875000 | 84   | 8       | G9014875000  | 106  | 3       | HK034620060 | 78   | 67       |
| G8018875000 | 84   | 34      | G9015875000  | 106  | 4       | HK03463000A | 76   | 13       |
| G8019875000 | 84   | 41      | G9016875000  | 106  | 5       | HK03464000B | 94   | 79       |
| G8031875000 | 96   | 2       | G9017875000  | 106  | 6       | HK045550060 | 98   | 23       |
| G80318750A0 | 96   | 1       | G9018875000  | 106  | 7       | HM000550010 | 60   | 33       |
| G80328750A0 | 96   | 16      | G9101875000  | 108  | 30      | HM000860010 | 116  | 12       |
| G8033875000 | 96   | 9       | G920187500A  | 72   | 20      | HM002120000 | 4    | 40       |
| G8033875A00 | 110  | 5       | G9202875000  | 72   | 21      | HM002120000 | 38   | 7        |
| G8045870000 | 104  | 4       | G9203875000  | 72   | 22      | HM002120000 | 40   | 17       |
| G8101875000 | 112  | 1       | G9204875000  | 72   | 23      | HN00099000B | 98   | 30       |
| G8102875000 | 112  | 2       | G9205875000  | 72   | 24      | HX00013000A | 82   | 72       |
| G8103875000 | 112  | 3       | G9206875000  | 52   | 43      | HX00013000C | 82   | 71       |
| G8104875000 | 112  | 4       | GAC01002A00  | 38   | 14      | HX000550000 | 60   | 8        |
| G8105875000 | 112  | 5       | GAK01003B00  | 44   | 15      | HX000980000 | 98   | 31       |
| G8106875000 | 112  | 6       | GAW025010A0  | 108  | 5       | HX00150000B | 54   | 48       |
| G8107875000 | 112  | 7       | GAW025010A0A | 110  | 1       | HX00150000C | 96   | 15       |
| G8108875000 | 112  | 8       | GAW02502000  | 108  | 6       | HX00150000E | 76   | 32       |
| G8109875000 | 112  | 9       | GAW025020A0  | 110  | 2       | HX00150000G | 76   | 34       |
| G8110875000 | 112  | 10      | GAW02522000  | 108  | 7       | HX00150000R | 50   | 53       |
| G8111875000 | 112  | 11      | GAW028010B0  | 116  | 3       | HX00221000E | 102  | 12       |
| G8112875000 | 112  | 12      | GAW028020A0  | 116  | 4       | HX002330000 | 68   | 29       |
| G8113875000 | 82   | 62      | GAW02831000  | 116  | 8       | HX00233000B | 50   | 52       |
| G8114875000 | 82   | 63      | GAW028320A0  | 116  | 9       | HX00236000A | 112  | 19       |
| G8115875000 | 112  | 13      | GAW028350A0  | 116  | 7       | HX003070000 | 50   | 51       |
| G8116875000 | 112  | 14      | GAW028390A0  | 116  | 10      | HX003100000 | 86   | 49       |
| G8201875000 | 88   | 1       | GCT02906000  | 108  | 27      | HX003390000 | 82   | 57       |
| G8202875000 | 88   | 2       | GLA02302000  | 44   | 37      | HX00339000D | 82   | 77       |
| G8203875000 | 88   | 3       | GMC10004000  | 60   | 3       | HX00354000K | 116  | 5        |
| G8204875000 | 88   | 4       | GMC100050A0  | 60   | 4       | HX004070000 | 98   | 40       |
| G8205875000 | 88   | 5       | GMC10007000  | 60   | 5       | HX004120000 | 82   | 70       |
| G8206875000 | 88   | 6       | GMC10008000  | 60   | 6       | HX005500000 | 98   | 22       |
| G8207875000 | 88   | 7       | GMC16005000  | 60   | 10      | J106600000A | 108  | 8        |
| G8208875000 | 88   | 8       | GMC1600900B  | 60   | 1·2·30  | J1071000000 | 108  | 20       |
| G8209875000 | 88   | 9       | GMC1600900C  | 60   | 1·2·30  | KD000000150 | 42   | 69       |
| G8210875000 | 88   | 10      | GMC1600900D  | 60   | 1·2·30  | KG000000140 | 102  | 9        |

# NUMERICAL INDEX OF PARTS

| PART NO      | PAGE | REF NO.  | PART NO     | PAGE | REF NO.      | PART NO     | PAGE | REF NO. |
|--------------|------|----------|-------------|------|--------------|-------------|------|---------|
| KX000000110  | 100  | 64       | M85505750A0 | 100  | 63           | NM6080001SC | 56   | 22      |
| M1001060000  | 102  | 13       | M8605570AA0 | 82   | 78           | NM6080001SC | 78   | 60      |
| M1001575000A | 98   | 32       | M8605570CA0 | 82   | 79           | NM6100003SC | 66   | 34      |
| M10025750A0  | 98   | 39       | M89015750A0 | 98   | 20           | NM6160511SE | 22   | 51      |
| M1004581000  | 100  | 60       | M89015760A0 | 116  | 1            | NM6540013SB | 52   | 40      |
| M1010510000  | 100  | 58       | M8906570000 | 82   | 67·68·69     | NS6090310SN | 22   | 56      |
| M10105750A0  | 86   | 50       | M9901575000 | 100  | 56           | NS6090310SP | 2    | 19      |
| M1011512000  | 98   | 35       | M9901576000 | 116  | 2            | NS6090310SP | 34   | 50      |
| M1020575000  | 82   | 75       | MAO11532000 | 114  | 74           | NS6110310SP | 20   | 28      |
| M3009510000  | 116  | 6        | MAT80230T00 | 48   | 22           | NS6110310SP | 112  | 40      |
| M85015750A0  | 98   | 3        | MC200521000 | 12   | 45·62~<br>64 | NS6110350SP | 2    | 39      |
| M85025750A0  | 98   | 4        | MC200521100 | 12   | 45·62~<br>64 | NS6110360SP | 72   | 17      |
| M85025760A0  | 116  | 16       | MC200531300 | 10   | 45·62~<br>64 | NS6110420SP | 14   | 38      |
| M85045750A0  | 98   | 5·45·46  | MC20053130T | 108  | 1            | NS6110420SP | 32   | 6       |
| M85055750A0  | 98   | 5·45·46  | MDFRX1600C0 | 108  | 16           | NS6110420SP | 96   | 4       |
| M85065750A0  | 98   | 5·45·46  | MDP5MRB5000 | 12   | 45·62~<br>64 | NS6120310SP | 30   | 41      |
| M85075750A0  | 98   | 6        | NM6030001SC | 60   | 19           | NS6150310SP | 10   | 6       |
| M85085750A0  | 98   | 7        | NM6030003SC | 116  | 11           | NS6150310SP | 14   | 48      |
| M85105750A0  | 98   | 8        | NM6040001SB | 100  | 62           | NS6150310SP | 16   | 48      |
| M85115750A0  | 98   | 9        | NM6040001SC | 56   | 44           | NS6150430SP | 6    | 47      |
| M85125750A0  | 98   | 10       | NM6040001SC | 60   | 15           | NS6150430SP | 26   | 30      |
| M85135750A0  | 100  | 47       | NM6040001SC | 74   | 7            | NS6150430SP | 30   | 36      |
| M85145750A0  | 98   | 11       | NM6040001SC | 112  | 52           | PA0600504A0 | 22   | 47      |
| M85155750A0  | 100  | 48       | NM6040001SC | 114  | 52           | PA060400100 | 72   | 25      |
| M85165750A0  | 98   | 12       | NM6050001SC | 38   | 37           | PA1001013A0 | 28   | 48      |
| M85175750A0  | 98   | 13·49·50 | NM6050001SC | 42   | 63           | PA1001528A0 | 20   | 22      |
| M85185750A0  | 100  | 13·49·50 | NM6050001SC | 56   | 43           | PA1501010A0 | 14   | 2       |
| M85195750A0  | 100  | 13·49·50 | NM6050001SC | 72   | 28           | PA1502006A0 | 62   | 28      |
| M85205750A0  | 98   | 14·51·52 | NM6050001SC | 84   | 31           | PA1502006A0 | 68   | 30      |
| M85215750A0  | 100  | 14·51·52 | NM6050001SC | 114  | 83           | PA1601515A0 | 56   | 33      |
| M85225750A0  | 82   | 73·74    | NM6050001SD | 68   | 46           | PA160152400 | 112  | 15      |
| M85245700A0  | 98   | 16       | NM6050001SE | 114  | 76           | PA1602010A0 | 62   | 27      |
| M85265750A0  | 100  | 55       | NM6050003SC | 34   | 67           | PA1602010A0 | 68   | 31      |
| M85285750A0  | 82   | 73·74    | NM6050003SC | 64   | 59           | PA1604505A0 | 34   | 59      |
| M85345750A0  | 6    | 61       | NM6060001SC | 38   | 34           | PA2000601A0 | 30   | 19      |
| M85355750A0  | 86   | 51       | NM6060001SC | 42   | 60           | PA2001004A0 | 44   | 12      |
| M85365750A0  | 78   | 68       | NM6060001SC | 44   | 25           | PA200201000 | 18   | 3       |
| M85415750A0  | 86   | 52       | NM6060001SC | 60   | 27           | PA200201100 | 60   | 32      |
| M85435750A0  | 98   | 18       | NM6060001SC | 78   | 57           | PA250500200 | 56   | 11      |
| M85445750A0  | 98   | 19       | NM6060001SC | 84   | 38           | PA2505002A0 | 56   | 10      |
| M85455750A0  | 102  | 16·17    | NM6060001SE | 114  | 77           | PA250500300 | 44   | 13      |
| M85465750A0  | 102  | 16·17    | NM6080001SC | 50   | 47           | PA2505003A0 | 44   | 14      |
| M85475750A0  | 98   | 17       |             |      |              | PA2512502A0 | 48   | 11      |
| M85498750A0  | 90   | 15       |             |      |              | PA2515004A0 | 76   | 18      |
|              |      |          |             |      |              | PA2515005A0 | 78   | 70      |

# NUMERICAL INDEX OF PARTS

| PART NO     | PAGE | REF NO. | PART NO     | PAGE | REF NO. | PART NO     | PAGE | REF NO. |
|-------------|------|---------|-------------|------|---------|-------------|------|---------|
| PA2520003A0 | 76   | 17      | PJ301085201 | 90   | 20      | PV150208100 | 94   | 74      |
| PA3201002A0 | 52   | 8       | PJ302040001 | 76   | 33      | PV150511000 | 90   | 57·58   |
| PA3207504A0 | 48   | 12      | PJ303060003 | 26   | 41      | PV150511000 | 92   | 57·58   |
| PA3207504B0 | 48   | 13      | PJ304040504 | 14   | 3       | PV155204100 | 92   | 60      |
| PA3240002A0 | 52   | 7       | PJ304045102 | 76   | 30      | PV205101000 | 76   | 28      |
| PA900051000 | 48   | 23      | PJ304060502 | 90   | 22      | PV205101000 | 90   | 12      |
| PA900051000 | 52   | 20      | PJ304065101 | 44   | 20      | PV9030070A0 | 92   | 55      |
| PA900060000 | 76   | 19      | PJ304065101 | 56   | 21      | PX055104000 | 90   | 77      |
| PA900065000 | 52   | 9       | PJ304065103 | 48   | 24      | PX055104000 | 92   | 77      |
| PA900066000 | 52   | 10      | PJ304065103 | 52   | 23      | PX055104000 | 94   | 77      |
| PC010508000 | 112  | 18      | PJ304085101 | 90   | 76      | PX060029000 | 48   | 7       |
| PC012601000 | 52   | 22      | PJ304085101 | 92   | 76      | PX060029000 | 54   | 47      |
| PC012601000 | 56   | 12      | PJ304085101 | 94   | 76      | PX060029000 | 78   | 69      |
| PC015106000 | 44   | 19      | PJ305060004 | 26   | 34      | PX060038000 | 50   | 57      |
| PC015106000 | 48   | 27      | PJ305080001 | 90   | 14      | PX060039000 | 46   | 48      |
| PC015108000 | 52   | 21      | PJ305080003 | 90   | 27      | PX060039000 | 58   | 46      |
| PC015108000 | 76   | 26      | PJ305085101 | 90   | 67      | PX500014000 | 90   | 75      |
| PC015114000 | 92   | 54      | PJ305085101 | 92   | 67      | PX500014000 | 92   | 75      |
| PC015201000 | 90   | 32      | PJ308040002 | 62   | 43      | PX500014000 | 94   | 75      |
| PC0205010A0 | 90   | 11      | PJ308040002 | 68   | 34      | PX950001000 | 90   | 30      |
| PJ020500001 | 36   | 22      | PJ308060003 | 48   | 26      | RE0400000K0 | 30   | 14      |
| PJ020500002 | 90   | 28·29   | PJ308060003 | 56   | 13      | RE0500000K0 | 30   | 26      |
| PJ032052503 | 20   | 24      | PJ308065101 | 90   | 25      | RE0600000K0 | 14   | 35      |
| PJ032052503 | 36   | 21      | PJ308080001 | 90   | 24      | RE0600000K0 | 30   | 15      |
| PJ032052503 | 44   | 17      | PJ309005201 | 108  | 24      | RE0600000K0 | 62   | 40      |
| PJ032052503 | 62   | 30      | PJ401000300 | 48   | 25      | RO029180100 | 6    | 57      |
| PJ032052503 | 68   | 32      | PJ401000400 | 62   | 29      | RO036080200 | 32   | 5       |
| PJ046052503 | 18   | 27      | PJ401000400 | 68   | 35      | RO068190100 | 20   | 33      |
| PJ046052503 | 22   | 52      | PS0200052KH | 74   | 11      | RO095200100 | 20   | 11      |
| PJ046052503 | 28   | 49      | PS0400142KH | 20   | 36      | RO098190100 | 32   | 2       |
| PJ046052503 | 30   | 32      | PV015110000 | 76   | 27      | RO098240100 | 14   | 28      |
| PJ046052503 | 34   | 60      | PV030202000 | 90   | 72      | RO108240100 | 20   | 32      |
| PJ046052503 | 60   | 9       | PV030202000 | 92   | 72      | RO148240200 | 4    | 25      |
| PJ046052503 | 68   | 33      | PV035118000 | 90   | 3       | RO195240100 | 24   | 13      |
| PJ046052503 | 72   | 33      | PV035146000 | 90   | 5·6     | S9622710000 | 98   | 34      |
| PJ046054002 | 36   | 10      | PV035147000 | 90   | 1·2     | SB112000200 | 38   | 38      |
| PJ210004200 | 92   | 56      | PV035150000 | 90   | 5·6     | SB112000700 | 38   | 13      |
| PJ230004300 | 52   | 44      | PV035151000 | 90   | 1·2     | SB112000700 | 40   | 24      |
| PJ301040502 | 56   | 34      | PV035154000 | 92   | 64      | SD0500204TP | 26   | 1       |
| PJ301040502 | 90   | 16      | PV135117000 | 92   | 59      | SD0500231TP | 26   | 9       |
| PJ301045101 | 76   | 29      | PV150208000 | 90   | 73      | SD0500803TP | 20   | 27      |
| PJ301060503 | 90   | 23      | PV150208000 | 92   | 73      | SD0530221SP | 20   | 17      |
| PJ301065103 | 90   | 18      | PV150208000 | 94   | 73      | SD0600181TP | 26   | 18      |
| PJ301065103 | 108  | 12      | PV150208000 | 114  | 53      | SD0600361SP | 30   | 42      |
| PJ301065201 | 90   | 19      | PV150208100 | 92   | 74      | SD0600401TP | 30   | 31      |



## NUMERICAL INDEX OF PARTS

| PART NO     | PAGE | REF NO. | PART NO     | PAGE | REF NO. | PART NO     | PAGE | REF NO. |
|-------------|------|---------|-------------|------|---------|-------------|------|---------|
| SD0600403TP | 26   | 32      | SM1040801SC | 50   | 55      | SM6042502TN | 46   | 46      |
| SD0600453TP | 70   | 49      | SM1040801SC | 112  | 31      | SM6042502TN | 78   | 61      |
| SD0601021SP | 112  | 36      | SM1040801SP | 84   | 29      | SM6042510SC | 4    | 34      |
| SD0602001SP | 20   | 15      | SM1040801SP | 112  | 35      | SM6043002TN | 90   | 80      |
| SD0640321TP | 20   | 20      | SM1041001SC | 56   | 40      | SM6043002TN | 94   | 80      |
| SD0640391TP | 26   | 19      | SM1041001SC | 62   | 45      | SM6051002TN | 82   | 65      |
| SD0640752TP | 26   | 24      | SM1041201SC | 56   | 20      | SM6051002TN | 88   | 18      |
| SD0800402TP | 14   | 33      | SM1041201SC | 60   | 13      | SM6051002TN | 92   | 45      |
| SD1204315SE | 76   | 25      | SM1041201SC | 112  | 46      | SM6051002TN | 112  | 29      |
| SK3382001SE | 114  | 78      | SM1041601SC | 56   | 19      | SM6051202TN | 88   | 15      |
| SL4030681SC | 98   | 43      | SM1041601SC | 74   | 5       | SM6051202TN | 92   | 42      |
| SL4030681SC | 102  | 10      | SM1051052TN | 68   | 43      | SM6051402TN | 52   | 46      |
| SL4030691SC | 98   | 44      | SM1051201SC | 84   | 17      | SM6051402TN | 54   | 46      |
| SL4030881SC | 98   | 38      | SM1051601SC | 72   | 26      | SM6051402TN | 56   | 37      |
| SL4030891SC | 6    | 59      | SM1051601SC | 84   | 18      | SM6051402TN | 70   | 48      |
| SL4030891SC | 102  | 3       | SM1061601SC | 56   | 15      | SM6051402TN | 84   | 19      |
| SL4040881SC | 82   | 76      | SM4040801SN | 48   | 28      | SM6051602TN | 52   | 26      |
| SL4040891SC | 60   | 16      | SM4041601SC | 114  | 50      | SM6051602TN | 64   | 51      |
| SL4040891SC | 100  | 68      | SM4051001SN | 18   | 25      | SM6051602TN | 66   | 30      |
| SL4041081SC | 98   | 26      | SM4051405SE | 114  | 64      | SM6051602TN | 68   | 36      |
| SL4041091SC | 54   | 49      | SM4061201SE | 114  | 75      | SM6051602TN | 80   | 53      |
| SL4041091SC | 78   | 66      | SM6030802TN | 72   | 30      | SM6051602TN | 82   | 53      |
| SL4041091SC | 98   | 61      | SM6031202TP | 24   | 5       | SM6052002TN | 40   | 31      |
| SL4041091SC | 100  | 61      | SM6031602TN | 72   | 29      | SM6052002TN | 52   | 27      |
| SL4041281SC | 82   | 56      | SM6033002TP | 20   | 23      | SM6052002TN | 64   | 50      |
| SL4041291SC | 40   | 68      | SM6040602TN | 78   | 64      | SM6052502TN | 40   | 33      |
| SL4041291SC | 42   | 68      | SM6040802TN | 66   | 25      | SM6052502TN | 52   | 29      |
| SL4041491SC | 42   | 65      | SM6040802TP | 28   | 52      | SM6052502TN | 56   | 41      |
| SL4042091SC | 98   | 24      | SM6041002TN | 62   | 47      | SM6052502TN | 60   | 23      |
| SL4044091SE | 48   | 29      | SM6041002TN | 64   | 47      | SM6052502TN | 68   | 37      |
| SL4051091SC | 6    | 60      | SM6041002TN | 66   | 43      | SM6052502TN | 92   | 51      |
| SL4051091SC | 96   | 14      | SM6041002TN | 74   | 2       | SM6052502TP | 18   | 4       |
| SL4051291SC | 50   | 54      | SM6041002TN | 92   | 39      | SM6052700SC | 114  | 82      |
| SL4061091SC | 98   | 33      | SM6041202TN | 38   | 40      | SM6053002TN | 44   | 21      |
| SL4851091SC | 114  | 49      | SM6041202TN | 40   | 26      | SM6053002TN | 64   | 52      |
| SL4860881SC | 6    | 54      | SM6041202TN | 66   | 40      | SM6053502TN | 44   | 22      |
| SL6042092TN | 40   | 44      | SM6041202TN | 80   | 38      | SM6053502TN | 52   | 28      |
| SL9082093SE | 82   | 51      | SM6041402TN | 38   | 25      | SM6057052TN | 42   | 52      |
| SM0050801SC | 82   | 64      | SM6041402TN | 40   | 37      | SM6061002TP | 48   | 30      |
| SM0050801SC | 84   | 16      | SM6041402TN | 92   | 36      | SM6061002TP | 52   | 31      |
| SM0050801SC | 88   | 14      | SM6041402TP | 4    | 44      | SM6061202TN | 48   | 31      |
| SM1020450TP | 112  | 21      | SM6041602TN | 50   | 50      | SM6061202TN | 78   | 47      |
| SM1030801SC | 60   | 17      | SM6041602TN | 80   | 15      | SM6061402TN | 48   | 48      |
| SM1033501SC | 116  | 13      | SM6042002TN | 56   | 39      | SM6061402TN | 50   | 48      |
| SM1040601SC | 78   | 58      | SM6042002TN | 80   | 11      | SM6061402TN | 52   | 33      |

# NUMERICAL INDEX OF PARTS

| PART NO     | PAGE | REF NO. | PART NO     | PAGE | REF NO. | PART NO     | PAGE | REF NO. |
|-------------|------|---------|-------------|------|---------|-------------|------|---------|
| SM6061402TN | 80   | 59      | SM6103502TP | 48   | 38      | SS4121615SP | 96   | 11      |
| SM6061402TN | 82   | 59      | SM6104502TP | 80   | 42      | SS4150715SP | 30   | 17      |
| SM6061602TN | 38   | 17      | SM6850600SP | 40   | 43      | SS4151415SP | 30   | 34      |
| SM6061602TN | 44   | 42      | SM8041012TP | 64   | 53      | SS5110710SP | 2    | 27      |
| SM6061602TN | 56   | 16      | SM8050412TP | 38   | 19      | SS6090420SP | 72   | 9       |
| SM6061602TN | 60   | 25      | SM8050412TP | 40   | 28      | SS6090650SP | 26   | 33      |
| SM6061602TN | 72   | 13      | SM8050802TP | 4    | 43      | SS6090670TP | 12   | 58      |
| SM6061602TN | 76   | 54      | SM9050813SC | 30   | 43      | SS6090910SP | 34   | 49      |
| SM6061602TN | 78   | 54      | SM9050813SC | 112  | 44      | SS6110480SP | 72   | 18      |
| SM6061602TN | 82   | 58      | SM9051050SC | 70   | 50      | SS6110610TP | 26   | 22      |
| SM6061602TN | 106  | 8       | SM9051050SC | 112  | 27      | SS6110610TP | 36   | 9       |
| SM6061610SC | 114  | 58      | SM9052003SC | 38   | 35      | SS6120620TP | 34   | 63      |
| SM6062002TN | 38   | 28      | SM9055053SB | 42   | 61      | SS6120930SP | 4    | 37      |
| SM6062002TN | 40   | 35      | SM9061003CP | 38   | 22      | SS6120940SP | 32   | 16      |
| SM6062002TN | 44   | 43      | SM9061003CP | 40   | 29      | SS6121050SP | 26   | 23      |
| SM6062002TN | 48   | 33      | SM9064053SE | 38   | 32      | SS6121860SP | 66   | 32      |
| SM6062002TN | 56   | 17      | SM9081603SC | 104  | 9       | SS6123010SP | 18   | 10      |
| SM6062002TN | 84   | 43      | SM9102003SB | 80   | 19      | SS6123010SP | 30   | 35      |
| SM6062502TN | 42   | 48      | SQ1110401MZ | 36   | 11      | SS6151920SP | 6    | 50      |
| SM6062502TN | 56   | 25      | SQ1110402MZ | 6    | 62      | SS7080510TP | 10   | 43      |
| SM6062502TN | 82   | 49      | SQ1110402MZ | 32   | 13      | SS7090530SP | 10   | 39      |
| SM6062502TN | 84   | 25      | SQ1110451MZ | 34   | 53      | SS7090610SP | 30   | 13      |
| SM6063002TN | 38   | 31      | SQ1120451MZ | 32   | 30      | SS7090710SP | 26   | 36      |
| SM6063002TN | 40   | 40      | SS1060210TP | 26   | 20      | SS7090850SP | 22   | 61      |
| SM6063002TN | 84   | 22      | SS1121010SP | 26   | 39      | SS7090920SP | 14   | 19      |
| SM6063502TN | 48   | 34      | SS2060210SP | 26   | 10      | SS7110350SP | 32   | 19      |
| SM6063502TN | 78   | 63      | SS2080310SP | 72   | 32      | SS7110510SP | 36   | 19      |
| SM6063502TN | 84   | 39      | SS2111010TP | 14   | 22      | SS7110710SP | 10   | 21      |
| SM6063502TN | 104  | 8       | SS2111010TP | 28   | 51      | SS7110710SP | 26   | 2       |
| SM6063502TN | 106  | 12      | SS2111010TP | 72   | 10      | SS7110710SP | 30   | 33      |
| SM6064052TN | 66   | 19      | SS4080620TP | 26   | 11      | SS7110710SP | 62   | 44      |
| SM6064502TP | 106  | 14      | SS4110515SP | 34   | 66      | SS7110710SP | 68   | 39      |
| SM6065002TP | 42   | 58      | SS4110715SP | 14   | 4       | SS7110840SP | 96   | 18      |
| SM6065002TP | 84   | 36      | SS4110715SP | 30   | 16      | SS7120710SP | 36   | 17      |
| SM6082002TN | 44   | 36      | SS4111215SP | 2    | 45      | SS7121610SP | 4    | 29      |
| SM6082002TN | 48   | 35      | SS4120615SP | 2    | 17      | SS7150740SP | 32   | 21      |
| SM6082002TN | 52   | 34      | SS4120615SP | 32   | 65      | SS7151210SP | 10   | 30      |
| SM6082002TN | 76   | 45      | SS4120615SP | 34   | 65      | SS7681650TP | 4    | 8       |
| SM6082502TN | 42   | 55      | SS4120915SP | 14   | 43      | SS7740740SP | 80   | 36      |
| SM6082502TN | 48   | 37      | SS4121215SP | 2    | 22      | SS8090530TP | 96   | 6       |
| SM6082502TN | 76   | 42      | SS4121215SP | 8    | 4       | SS8090670SP | 20   | 10      |
| SM6083002TN | 44   | 38      | SS4121215SP | 22   | 54      | SS8110422TP | 10   | 33      |
| SM6083002TN | 48   | 36      | SS4121215SP | 24   | 22      | SS8110422TP | 14   | 16      |
| SM6083002TN | 56   | 35      | SS4121215SP | 96   | 19      | SS8110422TP | 68   | 45      |
| SM6083002TP | 60   | 20      | SS4121415SP | 18   | 11      | SS8110520TP | 22   | 63      |

# NUMERICAL INDEX OF PARTS

| PART NO     | PAGE | REF NO. | PART NO     | PAGE | REF NO. | PART NO     | PAGE | REF NO. |
|-------------|------|---------|-------------|------|---------|-------------|------|---------|
| SS8110520TP | 24   | 19      | WP0320501SC | 60   | 18      | WP0531001SC | 82   | 66      |
| SS8110750SP | 24   | 23      | WP0320501SC | 72   | 31      | WP0531001SC | 84   | 30      |
| SS8120740SP | 20   | 31      | WP0320501SC | 116  | 14      | WP0531001SC | 88   | 19      |
| SS8150410SP | 14   | 40      | WP0371036SD | 72   | 19      | WP0531001SC | 92   | 52      |
| SS8150410TP | 10   | 23      | WP0410846SC | 72   | 14      | WP0531001SC | 112  | 45      |
| SS8150510TP | 10   | 29      | WP0430800SC | 4    | 46      | WP0550836SC | 108  | 15      |
| SS8150710SP | 4    | 14      | WP0430801SC | 4    | 35      | WP0600816SP | 64   | 48      |
| SS8150760TP | 20   | 12      | WP0430801SC | 38   | 42      | WP0600816SP | 68   | 41      |
| SS8150822TP | 4    | 22      | WP0430801SC | 40   | 39      | WP0611626SP | 38   | 24      |
| SS8150822TP | 10   | 60      | WP0430801SC | 46   | 47      | WP0611626SP | 40   | 30      |
| SS8150822TP | 12   | 60      | WP0430801SC | 56   | 45      | WP0611626SP | 56   | 26      |
| SS8150822TP | 50   | 49      | WP0430801SC | 60   | 14      | WP0612516SD | 6    | 51      |
| SS8151230SP | 4    | 31      | WP0430801SC | 64   | 55      | WP0612516SD | 112  | 37      |
| SS8151230SP | 12   | 61      | WP0430801SC | 66   | 44      | WP0621016SD | 24   | 27      |
| SS8152030SP | 14   | 47      | WP0430801SC | 74   | 8       | WP0621016SH | 26   | 29      |
| SS8152030SP | 16   | 47      | WP0430801SC | 78   | 65      | WP0621016SH | 30   | 37      |
| SS8660512TP | 14   | 30      | WP0430801SC | 80   | 16      | WP0641600SC | 84   | 40      |
| SS8660530TP | 4    | 20      | WP0430801SC | 92   | 81      | WP0641600SC | 104  | 10      |
| SS8660610TP | 4    | 6       | WP0430801SC | 94   | 81      | WP0641600SC | 106  | 15      |
| SS8660610TP | 24   | 24      | WP0450801SD | 22   | 62      | WP0641601SC | 38   | 33      |
| SS8660612TP | 10   | 15      | WP0450801SD | 112  | 39      | WP0641601SC | 40   | 59      |
| SS8660810TP | 4    | 56      | WP0450826SC | 18   | 30      | WP0641601SC | 42   | 59      |
| SS8660810TP | 6    | 56      | WP0480856SP | 2    | 32      | WP0641601SC | 44   | 44      |
| SS8660810TP | 18   | 19      | WP0480856SP | 64   | 61      | WP0641601SC | 48   | 41      |
| SS8660810TP | 20   | 41      | WP0480856SP | 72   | 15      | WP0641601SC | 52   | 38      |
| SS8681650TP | 4    | 7       | WP0482086SD | 112  | 47      | WP0641601SC | 56   | 18      |
| SS9091010SP | 18   | 17      | WP0482086SD | 114  | 47      | WP0641601SC | 60   | 26      |
| SS9110513TP | 14   | 31      | WP0501016SC | 4    | 38      | WP0641601SC | 68   | 40      |
| SS9110920CP | 20   | 29      | WP0501016SD | 66   | 33      | WP0641601SC | 72   | 16      |
| SS9111010SP | 18   | 28      | WP0531000SC | 34   | 61      | WP0641601SC | 76   | 55      |
| SS9151630CP | 14   | 18      | WP0531000SD | 70   | 47      | WP0641601SC | 78   | 55      |
| SS9151740CP | 4    | 45      | WP0531001SC | 2    | 21      | WP0641601SC | 80   | 60      |
| SS9151910SN | 24   | 25      | WP0531001SC | 38   | 36      | WP0641601SC | 82   | 60      |
| TA0180401M0 | 32   | 7       | WP0531001SC | 40   | 62      | WP0641601SC | 84   | 37      |
| TA0550604R0 | 10   | 17      | WP0531001SC | 42   | 62      | WP0641601SC | 106  | 13      |
| TA0800504R0 | 102  | 11      | WP0531001SC | 44   | 24      | WP0641601SD | 112  | 38      |
| TA0850604R0 | 2    | 28      | WP0531001SC | 52   | 45      | WP0820516SP | 66   | 39      |
| TA1050504R0 | 2    | 33      | WP0531001SC | 56   | 42      | WP08416000E | 66   | 37      |
| TA1250406R0 | 2    | 30      | WP0531001SC | 60   | 24      | WP08416000E | 104  | 11      |
| TA1250406R0 | 18   | 9       | WP0531001SC | 62   | 57      | WP0841600SC | 44   | 35      |
| TA1250406R0 | 24   | 14      | WP0531001SC | 64   | 57      | WP0841601SC | 42   | 57      |
| TA1450404R0 | 2    | 29      | WP0531001SC | 66   | 31      | WP0841601SC | 48   | 44      |
| TA1470704R0 | 2    | 40      | WP0531001SC | 68   | 38      | WP0841601SC | 52   | 39      |
| TA2101002R0 | 2    | 34      | WP0531001SC | 72   | 27      | WP0841601SC | 56   | 36      |
| TA2351004R0 | 2    | 35      | WP0531001SC | 80   | 66      | WP0841601SC | 60   | 21      |

## NUMERICAL INDEX OF PARTS

| PART NO     | PAGE | REF NO. |
|-------------|------|---------|
| WP0841601SC | 64   | 58      |
| WP0841601SC | 76   | 59      |
| WP0841601SC | 78   | 59      |
| WP1021016SD | 66   | 35      |
| WP1052000SC | 44   | 45      |
| WP1052000SC | 80   | 20      |
| WP1052001SC | 50   | 45      |
| WP1052001SC | 52   | 41      |
| WP1052001SC | 80   | 44      |
| WP1101016SD | 50   | 46      |
| WP1612616SE | 114  | 72      |
| WS0310002KN | 116  | 15      |
| WS0410002KN | 6    | 48      |
| WS0410002KN | 38   | 41      |
| WS0410002KN | 40   | 38      |
| WS0410002KN | 80   | 17      |
| WS0410002KN | 92   | 82      |
| WS0410002KN | 94   | 82      |
| WS0410002KN | 114  | 51      |
| WS0451040KP | 18   | 29      |
| WS0510002KN | 44   | 39      |
| WS0510002KN | 52   | 42      |
| WS0510002KN | 80   | 55      |
| WS0510002KN | 82   | 55      |
| WS0510002KN | 84   | 21      |
| WS0510002KN | 92   | 53      |
| WS0610002KN | 38   | 29      |
| WS0610002KN | 40   | 49      |
| WS0610002KN | 42   | 49      |
| WS0610002KN | 78   | 56      |
| WS0610002KN | 84   | 44      |
| WS0820002KN | 42   | 56      |
| WS0820002KN | 44   | 34      |
| WS0820002KN | 60   | 22      |
| WS0820002KN | 76   | 44      |
| WS1020002KN | 80   | 43      |
| WZ0850302K0 | 66   | 38      |