

MODEL : SC-801/CP-560

List No : 1226-02

# PARTS LIST

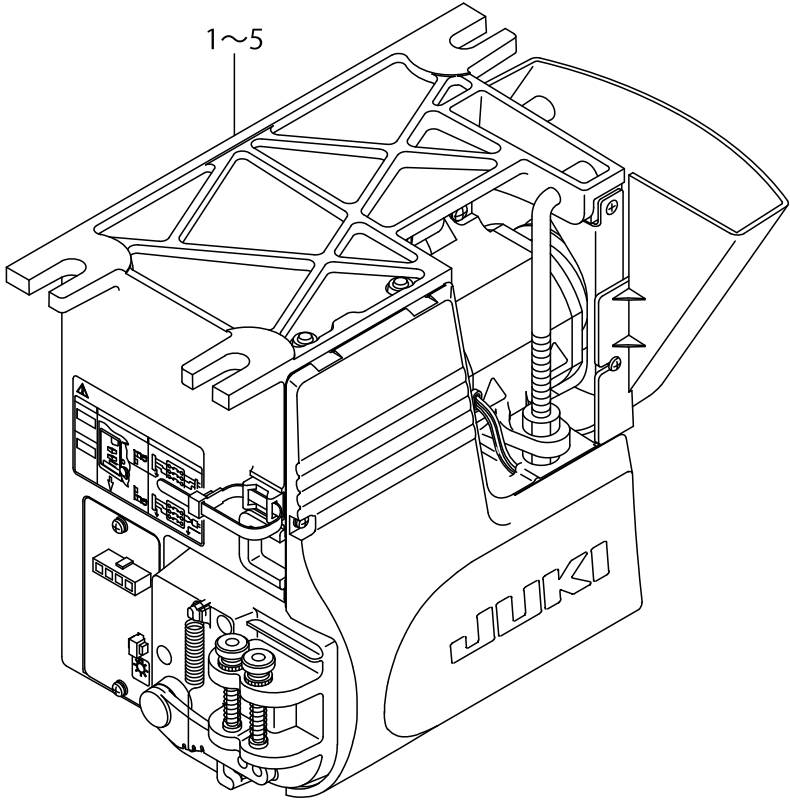
Published:05/12/2017

## CONTENTS

---

STANDARD MOTOR COMBINATION LIST.....	1
PSC UNIT COMPONENTS (1) .....	3
PSC UNIT COMPONENTS (2) .....	5
ACCESSORIE PART COMPONENTS .....	9
PANEL COMPONENTS.....	11
INDICATION PANEL COMPONENTS .....	13
HOW TO MAKE USE OF THIS PARTS LIST .....	15

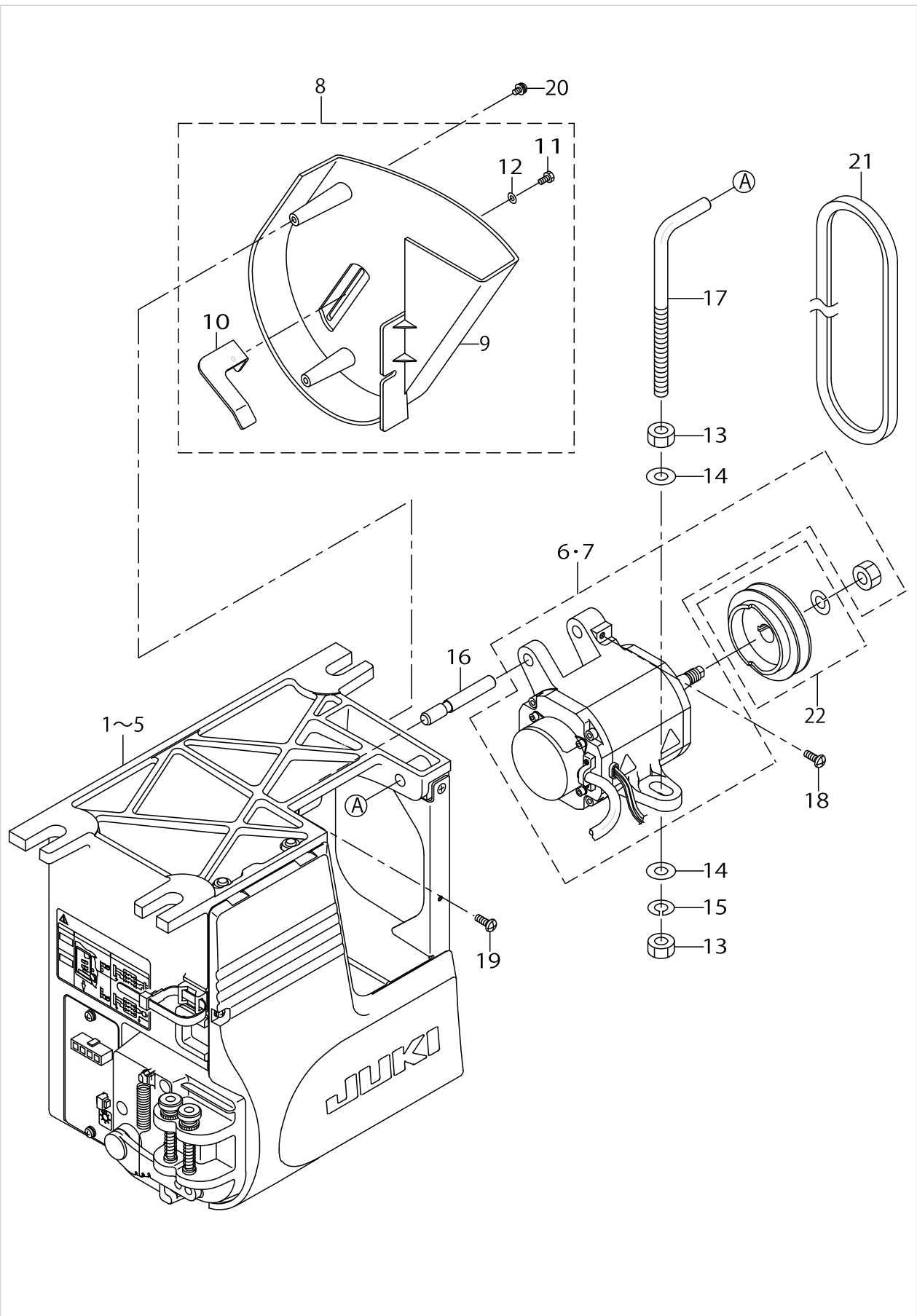
STANDARD MOTOR COMBINATION LIST



STANDARD MOTOR COMBINATION LIST

No.	Supply Code	Parts No.	Replacement	Parts name	Remarks	Choice	Step	Level	Cons	Qty	Rep. QTY
1		M2112462BA0		SC-801 GENERAL EXPORT 3						1	
2		M2112462CA0		SC-801 GENERAL EXPORT 1						1	
3		M2112462DA0		SC-801 CE PFL 1 220V						1	
4		M2112462EA0		SC-801 JUS PFL 3 200V						1	
5		M2112462FA0		SC-801 JUS PFL 3 100V						1	

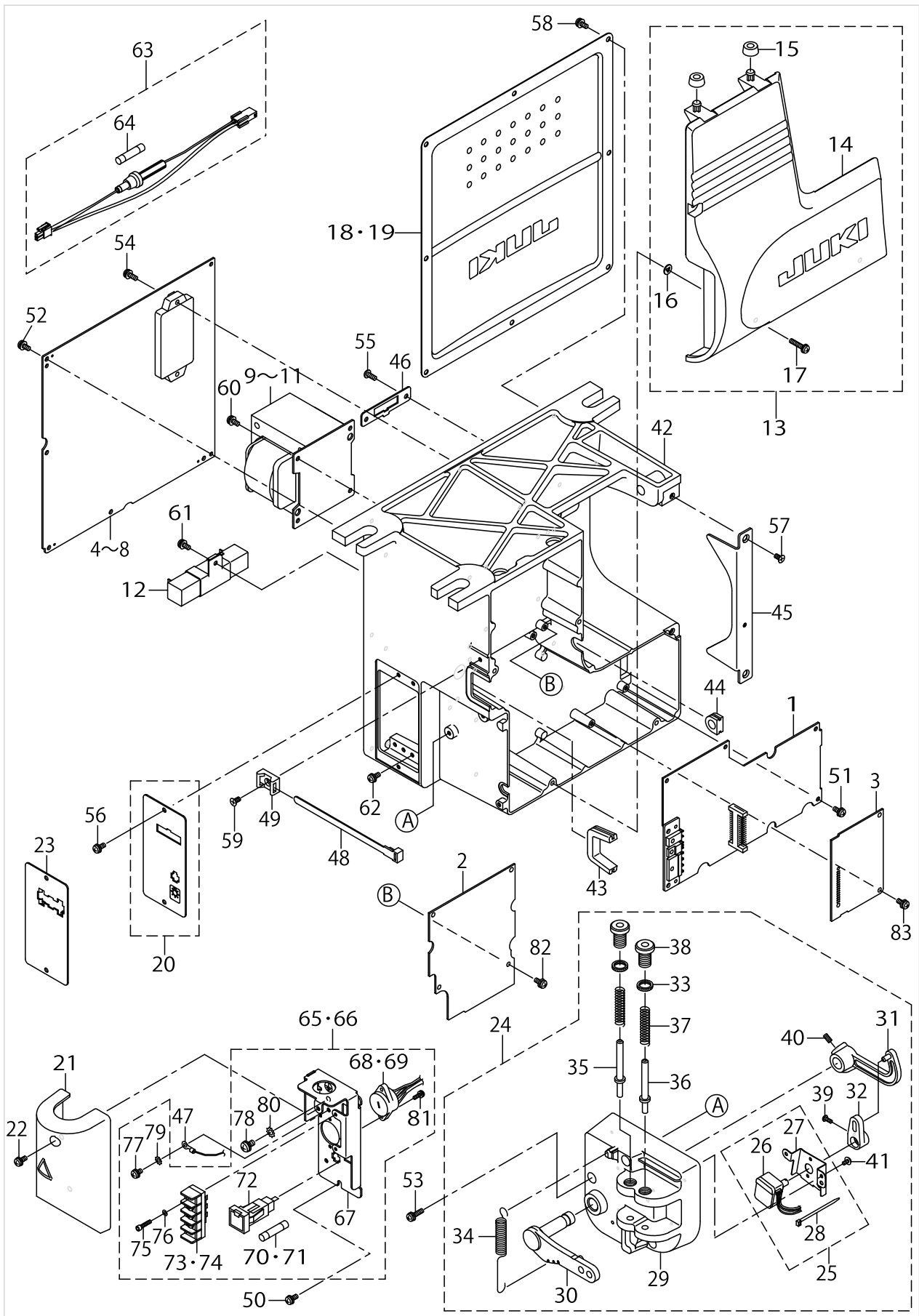
PSC UNIT COMPONENTS (1)



PSC UNIT COMPONENTS (1)

No.	Supply Code	Parts No.	Replacement	Parts name	Remarks	Choice	Step	Level	Cons	Qty	Rep. QTY
1		M2102462BA0		SC-801 GENERAL EXPORT 3	FOR M211-2-462-BA0					1	
2	D	M2102462CA0		SC-801 GENERAL EXPORT 3	FOR M211-2-462-CA0					1	
3		M2102462DA0		SC-801 CE PFL 1 220V	FOR M211-2-462-DA0					1	
4		M2102462EA0		SC-801 JUS PFL 3 200V	FOR M211-2-462-DA0					1	
5		M2102462FA0		SC-801 JUS PFL 1 100V	FOR M211-2-462-FA0					1	
6	D	M6001461CA0		MOTOR ASM.,C	FOR GENERAL EXPORT					1	
7	D	M6001461DA0		MOTOR ASM.,D	FOR CE,JUS					1	
8	D	M3601461AA0		PULLEY COVER A ASM.						1	
9	R	M3601461000	M3601461AA0	PULLEY COVER				*		1	1.00
10	D	M3602461000		BELT STOPPER				*		1	
11		SM9040803SF		SCREW M4X8				*		1	
12		WP0430801SE		WASHER 4.3X9X0.8				*		1	
13		NM6100011SF		NUT M10						2	
14	R	WP1052001SE	WP1052001SC	WASHER 10.5X21X2						2	1.00
15		WS1020002KR		SPRINGWASHER,M10						1	
16		M4201461000		MOTOR SUPPORT SHAFT						1	
17		M4202461000		MOTOR SUPPORT BOLT						1	
18		SM4051405SE		SCREW M5 L=14						1	
19		SM4051405SE		SCREW M5 L=14						1	
20		SL4040891SC		SCREW M4 L=8						3	
21		MTJVH00380A		V-BELT, 38 INCH						1	
22	R	MTSP0070AA0	MTSP00700B0	MOTOR PULLEY ASM. P.C.D. 70						1	1.00

PSC UNIT COMPONENTS (2)

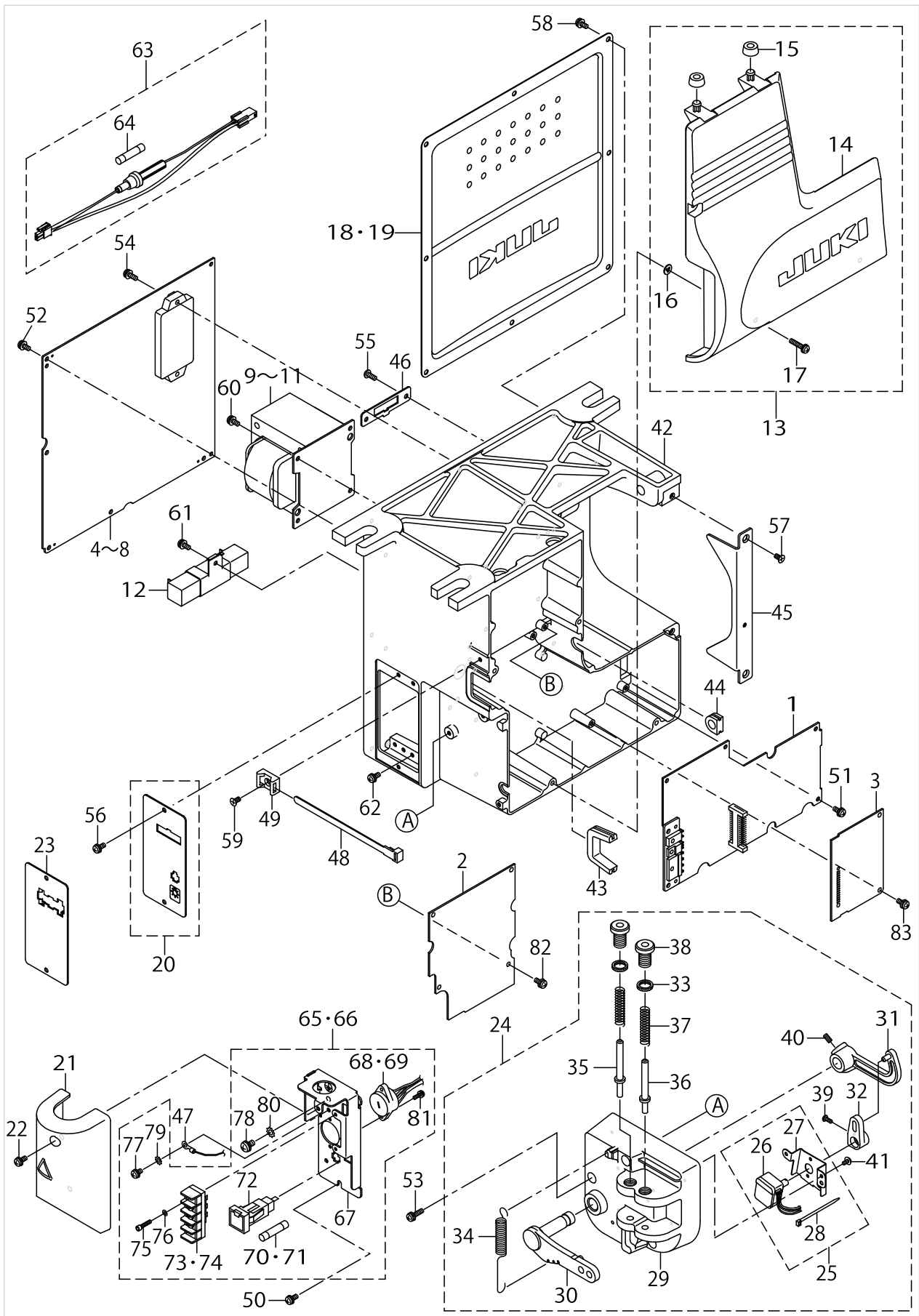


PSC UNIT COMPONENTS (2)

No.	Supply Code	Parts No.	Replacement	Parts name	Remarks	Choice	Step	Level	Cons	Qty	Rep. QTY
1	D	M8601471DAA		CTL CIRCUIT BOARD DA ASM.						1	
2	D	M8601462AA0		EPF CIRCUIT BOARD A ASM.						1	
3	D	M8606461AA0		OP CIRCUIT BOARD ASM. A						1	
4	D	M8604461AA0		PWR-U CIRCUIT BOARD A ASM.	FOR EXPORT 3-PHASE 200~240V					1	
5	D	M8603461AA0		PWR-E CIRCUIT BOARD A ASM.	FOR EXPORT 1-PHASE 200~240V					1	
6		M8605461AA0		PWR-C CIRCUIT BOARD A ASM.	FOR CE					1	
7	R	M8607461AA0	M8603461BA0	PWR-S CIRCUIT BOARD A ASM.	FOR JUS 1-00~120V					1	1.00
8	D	M8604461BA0		PWR-U CIRCUIT BOARD B ASM.	FOR JUS 2-00~240V					1	
9	R	M8501461BA0	M8501471BA0	POWER TRANSFORMER B ASM.	FOR 200V(-EXCEPT CE)					1	1.00
10	R	M8501461CA0	M8501471CA0	POWER TRANSFORMER C ASM.	FOR JUS 1-00~120V					1	1.00
11	R	M8501461DA0	M8501471DA0	POWER TRANSFORMER D ASM.	FOR CE					1	1.00
12		M8502461AA0		RESISTOR A ASM.						1	
13		M3201462CA0		BOX FRONT COVER C ASM.						1	
14		M3201461000		FRONT COVER				*		1	
15		M3202461000		BOX FRONT COVER SUPPORT RUBBER				*		2	
16		M8002430000		STOPPER				*		3	
17		SL4042091SC		SCREW M4X0.7 L=20				*		3	
18	D	M3401461000		BOX REAR PANEL						1	
19		M3401461BA0		BOX REAR COVER B ASM.	FOR CE,JUS					1	
20		M3802461AA0		CONNECTOR FIXED PLATE A ASM.	FOR GENERAL EXPORT					1	
21	D	M3806461AA0		TERMINAL BASE COVER A ASM.	FOR JUS					1	
22		SL4041081SC		SCREW M4 L=10	FOR JUS					2	
23		M3804461000		CONNECTOR FIXED PLATE(CE)	FOR CE					1	
24	D	M4001461BA0		PEDAL SENSOR B ASM.						1	
25	D	M4006461AA0		SENSOR FIXED PLATE A ASM.				*		1	
26	R	M8508461AA0	M4006461AA0	SENSOR A ASM.				*		1	1.00
27		M4006461000		SENSOR INSTALLING PLATE				*		1	
28		EA9500B0100		CABLE BAND				*		1	
29		M4001461000		PEDAL SENSOR BASE				*		1	
30		M4002461000		PEDAL LEVER				*		1	
31	R	M4004461000	40006204	PEDAL RING				*		1	1.00
32		M4005461000		VOLUME LINK				*		1	
33		M2010110000		ADJUST NUT				*		2	
34		M4007351000		FRONT SPRING				*		1	
35		M4008351000A		SPRING SHAFT A				*		1	
36		M4009351000A		SPRING SHAFT B				*		1	
37		M4011351000		SPRING B				*		2	
38		M4012351000		ADJUST SCREW				*		2	
39		SM4030801SF		SCREW M3X0.5 L=8				*		1	
40		SM8040802TP		SCREW M4X8				*		2	
41		SV4030601SR		SCREW M3 L=6				*		2	
42	D	M3001461000		ELECTRICAL BOX						1	



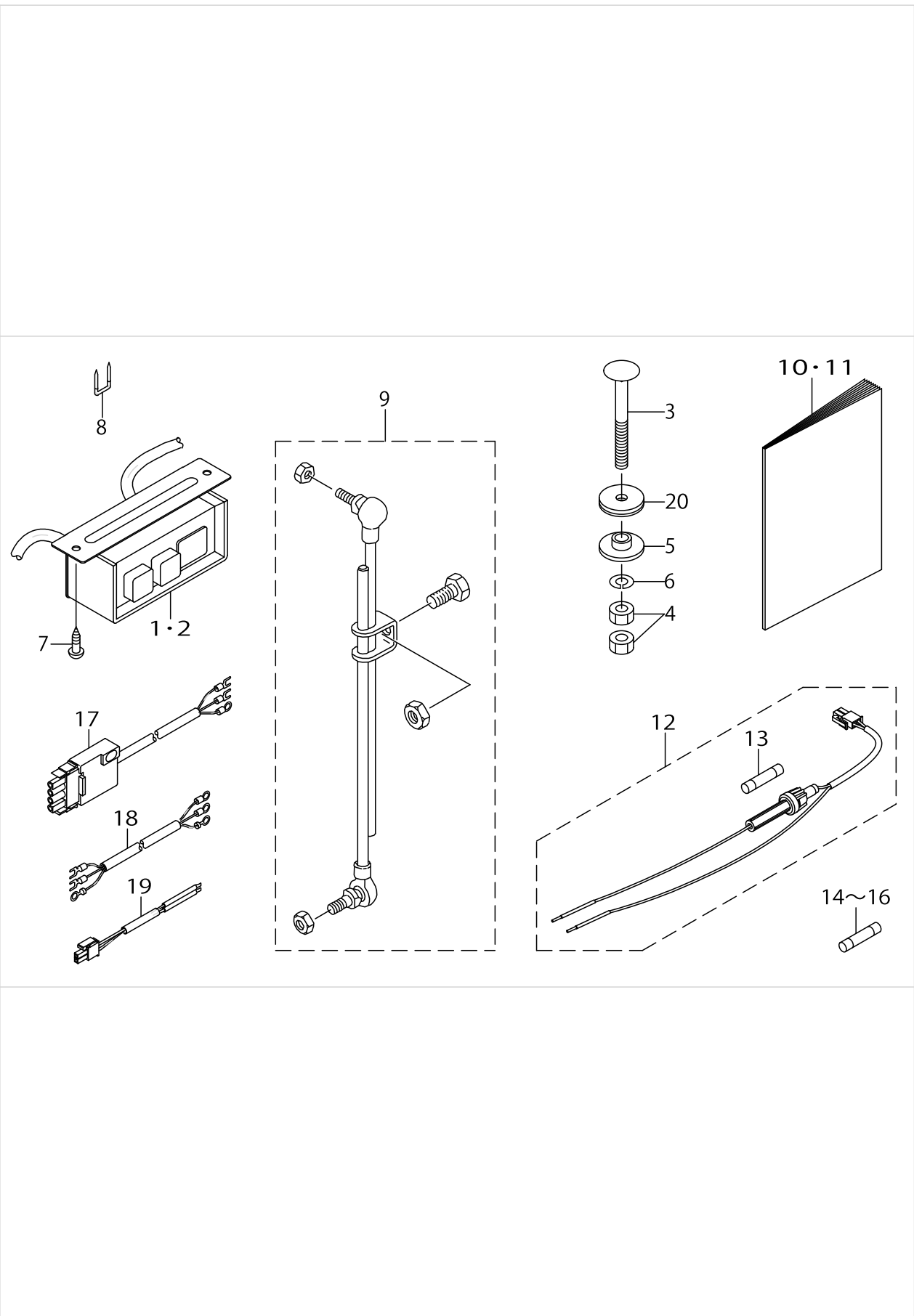
PSC UNIT COMPONENTS (2)



PSC UNIT COMPONENTS (2)

No.	Supply Code	Parts No.	Replacement	Parts name	Remarks	Choice	Step	Level	Cons	Qty	Rep. QTY
43		M3002461000		RUBBER BUSH A						1	
44	D	M1014110000		CORD BUSH B						1	
45	D	M3801461000		PULLEY COVER INS-TALLING PLATE						1	
46		M3803461000		MOTOR CONNECTOR FIXED PLATE						1	
47	D	M8503461DA0		FG CORD D ASM.	FOR JUS					1	
48		HX00292000A		CONNECTING PART						1	
49		HX004540000		TIE MOUNT						1	
50		SL4041081SF		SCREW M4 L=10	FOR JUS					2	
51		SL4041081SF		SCREW M4 L=10						6	
52		SL4041081SF		SCREW M4 L=10						5	
53		SL4041681SF		SCREW M4 L=16						3	
54		SL4041281SF		SCREW M4 L=12						2	
55		SL4041081SF		SCREW M4 L=10						2	
56		SL4041081SC		SCREW M4 L=10						2	
57		SM1040801SC		SCREW M4X0.7 L=8						2	
58		SL4041081SC		SCREW M4 L=10						8	
59		SM1040801SC		SCREW M4X0.7 L=8						1	
60		SL4041081SF		SCREW M4 L=10						4	
61		SL4041081SF		SCREW M4 L=10						1	
62		SL4041091SE		SCREW M4 L=10						4	
63	D	M8511461AA0		LAMP FUSE A ASM.	FOR JUS					1	
64		HF001400500		TIME LAG FUSE 5A	FOR JUS			*		1	
65		M3805461BA0		TERMINAL BASE B ASM.	FOR JUS 1-00~120V					1	
66	D	M3805461AA0		TERMINAL BASE A ASM.	FOR JUS 2-00~240V					1	
67		M3805461000		TERMINAL BASE	FOR JUS			*		1	
68		M8510461BA0		VOLTAGE SELECTOR B ASM.	FOR JUS 1-00~120V			*		1	
69	D	M8510461AA0		VOLTAGE SELECTOR A ASM.	FOR JUS 2-00~240V			*		1	
70		HF0079040P0		FUSE 4A	FOR JUS 1-00~120V			*		1	
71		HF0079020P0		FUSE 2A	FOR JUS 1-00~120V			*		1	
72	D	HF009511000		FUSE HOLDER	FOR JUS			*		1	
73		HK04905003B		TERMINAL BASE	FOR JUS			*		1	
74		HK04905002A		TERMINAL BASE 2P	FOR JUS			*		1	
75		SM6031402TP		SCREW	FOR JUS			*		2	
76		WS0310002KP		SPRING WASHER	FOR JUS			*		2	
77		SL4040885SH		SCREW M4 L=8	FOR JUS			*		1	
78		SL4051085SH		SCREW M5X10	FOR JUS			*		1	
79		WT0430001KN		TOOTHED WASHER	FOR JUS			*		1	
80	D	WT0530001KN		TOOTHED LOCK WASHER	FOR JUS			*		1	
81		SL4031081SF		SCREW M3 L=10	FOR JUS			*		2	
82		SL4041081SF		SCREW M4 L=10						4	
83		SL4041081SF		SCREW M4 L=10						2	

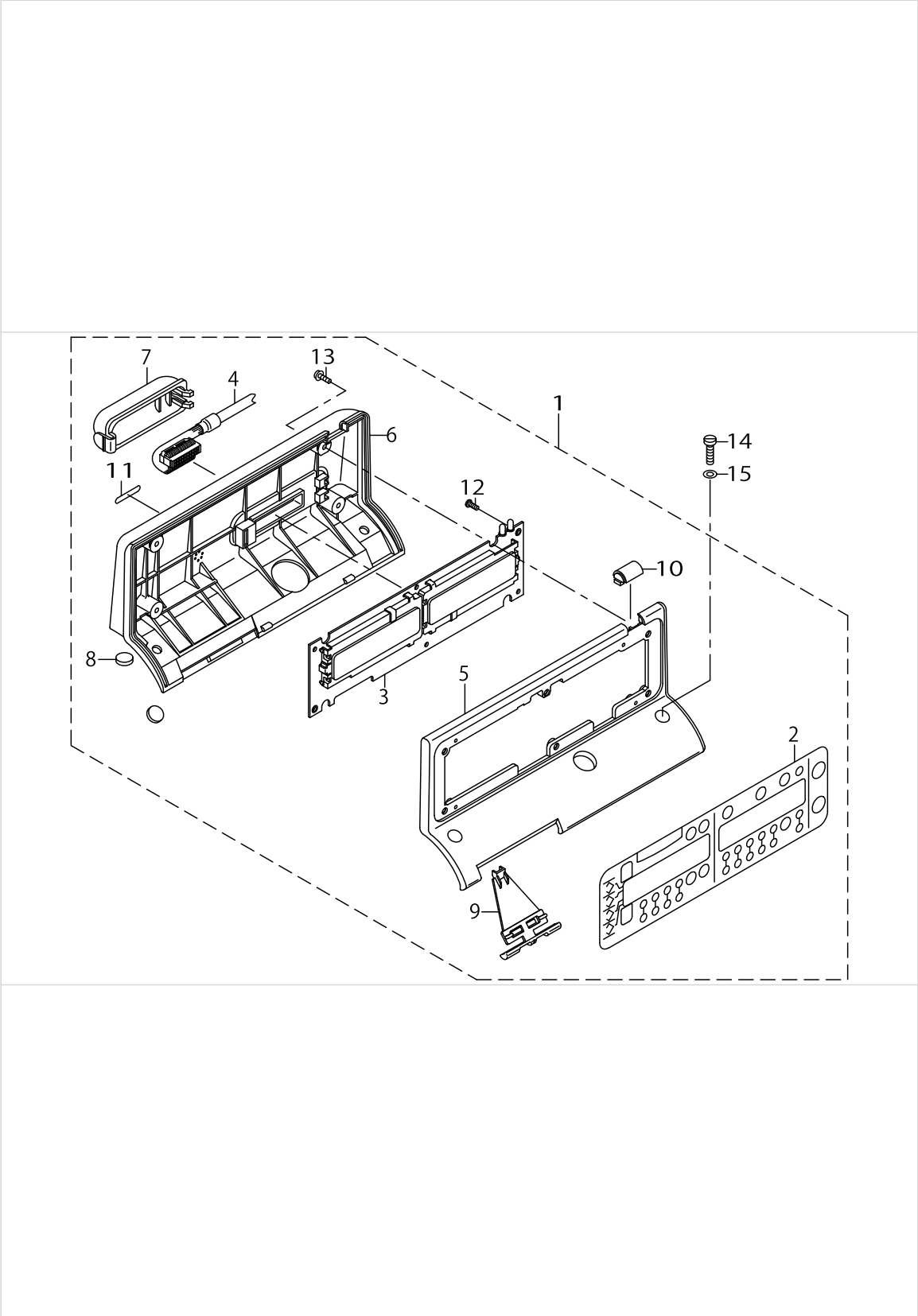
ACCESSORIE PART COMPONENTS



ACCESSORIE PART COMPONENTS

No.	Supply Code	Parts No.	Replacement	Parts name	Remarks	Choice	Step	Level	Cons	Qty	Rep. QTY
1		M6101461AA0		POWER SWITCH A ASM.	FOR 3-PH-ASE 200~240V					1	
2		M6101461CA0		POWER SWITCH C ASM.	FOR 1-PH-ASE 200~240V					1	
3	D	D8211555D00		BOLT						3	
4		NM6080002SC		NUT M8						6	
5	D	M4205461000		WASHER						3	
6		WS0820002KR		SPRING WASHER, M8						3	
7		SK3512001SF		WOOD SCREW						2	
8		MA011532000		CORD STAPLE						5	
9	R	D7114555BAB	22958458	CONNECTING ROD ASM. (B)						1	1.00
10	D	29298502		SC-801 INSTRUCTION MANUAL						1	
11		29312501		SC-801 INSTRUCTION MANUAL						1	
12	D	M8525351AA0		LAMP FUSE HOLDER ASM., A						1	
13		M9644110000		FUSE 8A				*		1	
14		HF0079020P0		FUSE 2A	FOR 200~240V					1	
15		HF0079040P0		FUSE 4A	FOR JUS 1-00~120V					1	
16		HF0078020P0		FUSE 2A	FOR CE					1	
17		M6105461DAA		PSC UNIT CABLE ASM.(CE)	FOR CE					1	
18		M6102461DAA		AC INPUT CABLE ASM.(CE)	FOR CE					1	
19		M8526351AA0		LAMP CORD ASM., A	FOR JUS					1	
20		M4206461000								3	

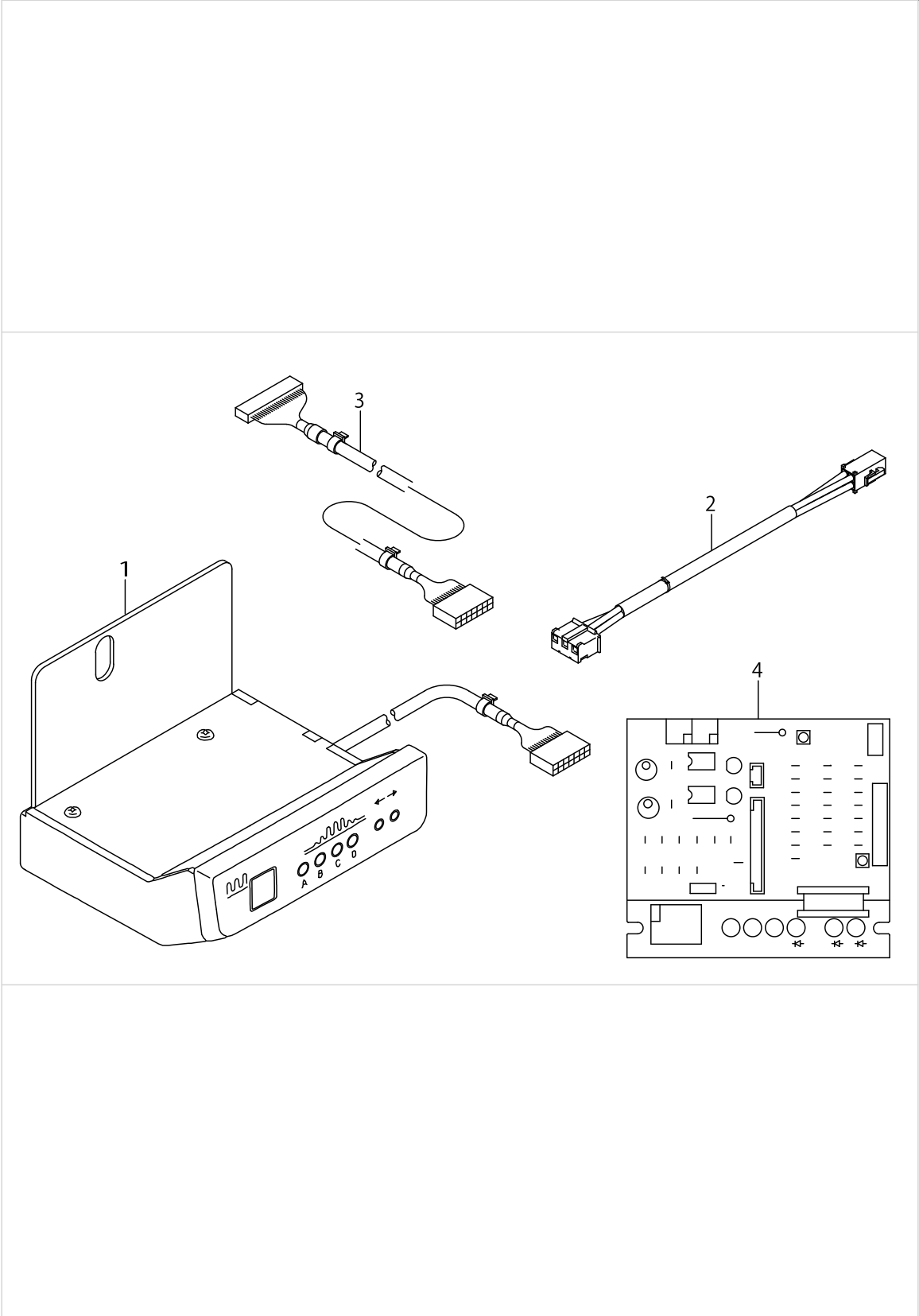
PANEL COMPONENTS



PANEL COMPONENTS

No.	Supply Code	Parts No.	Replacement	Parts name	Remarks	Choice	Step	Level	Cons	Qty	Rep. QTY
1		M2501386AAA		CP-560 PANEL ASM.						1	
2		M11013860A0		CP-560 SWITCH ASM.				*		1	
3	D	M8601378AA0		CIRCUIT BOARD A ASM.				*		1	
4		M8501378AA0		CORD A ASM.				*		1	
5		M1001371000		FRONT PANEL				*		1	
6		M1002371A00		BACK PANEL A				*		1	
7		M1003371000		CORD EXIT COVER				*		1	
8		M1004302000		RUBBER CUSHION				*		4	
9		M1004371000		SPEED ADJUSTING KNOB				*		1	
10	D	M1005371000		INDICATION WINDOW				*		1	
11	D	M7001370A0A		TYPE LABEL AOA				*		1	
12		SM4030801SC		SCREW M3 X 8				*		6	
13		SV4031006SR		SCREW M3 L=10				*		4	
14	R	SS7121810SN	SS7121610SP	SCREW 3/16-28 L=18						2	1.00
15		WP0531001SC		WASHER						2	

INDICATION PANEL COMPONENTS



INDICATION PANEL COMPONENTS

No.	Supply Code	Parts No.	Replacement	Parts name	Remarks	Choice	Step	Level	Cons	Qty	Rep. QTY
1		M50013530A0		INDICATION PANEL						1	
2	D	M8521353AA0		TURN CORD A ASM.						1	
3		M8522353AA0		14P-14P CORD ASM.						1	
4		M8602353AA0		SUBPANELAASM.(W)						1	



## HOW TO MAKE USE OF THIS PARTS LIST

1.As to "#01" and "#02" refer to the "Note" given at the bottom of the respective pages.

2.Codes on the "Qty" column

- Each numeral indicates the number of parts required.
- "0.1" and "2.5" indicate the length (in meters) of the respective parts.

3.Parentheses mean that the corresponding part is a subpart that constructs an assembly part.

4.Dotted lines on the Figures indicate assembly parts.

1. リストページの# 0 1、# 0 2の印は、ページ下の"注記"の説明を参照下さい。
2. 数量欄の数字は、個数を表し、0. 1、2. 5等の数値は、長さ（単位メートル）を表します。
3. 数量欄の（ ）は、組部品を構成している子部品であることを意味します。
4. イラストページの-----枠は、組構成であることを意味します。

# NUMERICAL INDEX OF PARTS

PART NO	PAGE	REF NO.	PART NO	PAGE	REF NO.	PART NO	PAGE	REF NO.
29298502	10	10·11	M3602461000	4	10	M8522353AA0	14	3
29312501	10	10·11	M3801461000	8	45	M8525351AA0	10	12
D7114555BAB	10	9	M3802461AA0	6	20	M8526351AA0	10	19
D8211555D00	10	3	M3803461000	8	46	M8601378AA0	12	3
EA9500B0100	6	28	M3804461000	6	23	M8601462AA0	6	2
HF001400500	8	64	M3805461000	8	67	M8601471DAA	6	1
HF0078020P0	10	14~16	M3805461AA0	8	65·66	M8602353AA0	14	4
HF0079020P0	8	70·71	M3805461BA0	8	65·66	M8603461AA0	6	4~8
HF0079020P0	10	14~16	M3806461AA0	6	21	M8604461AA0	6	4~8
HF0079040P0	8	70·71	M4001461000	6	29	M8604461BA0	6	4~8
HF0079040P0	10	14~16	M4001461BA0	6	24	M8605461AA0	6	4~8
HF009511000	8	72	M4002461000	6	30	M8606461AA0	6	3
HK04905002A	8	73·74	M4004461000	6	31	M8607461AA0	6	4~8
HK04905003B	8	73·74	M4005461000	6	32	M9644110000	10	13
HX00292000A	8	48	M4006461000	6	27	MAO11532000	10	8
HX004540000	8	49	M4006461AA0	6	25	MTJVH00380A	4	21
M1001371000	12	5	M4007351000	6	34	MTSP0070AA0	4	22
M1002371A00	12	6	M4008351000A	6	35	NM6080002SC	10	4
M1003371000	12	7	M4009351000A	6	36	NM6100011SF	4	13
M1004302000	12	8	M4011351000	6	37	SK3512001SF	10	7
M1004371000	12	9	M4012351000	6	38	SL4031081SF	8	81
M1005371000	12	10	M4201461000	4	16	SL4040885SH	8	77
M1014110000	8	44	M4202461000	4	17	SL4040891SC	4	20
M11013860A0	12	2	M4205461000	10	5	SL4041081SC	6	58
M2010110000	6	33	M4206461000	10	20	SL4041081SC	8	58
M2102462BA0	4	1~5	M50013530A0	14	1	SL4041081SF	8	83
M2102462CA0	4	1~5	M6001461CA0	4	6·7	SL4041091SE	8	62
M2102462DA0	4	1~5	M6001461DA0	4	6·7	SL4041281SF	8	54
M2102462EA0	4	1~5	M6101461AA0	10	1·2	SL4041681SF	8	53
M2102462FA0	4	1~5	M6101461CA0	10	1·2	SL4042091SC	6	17
M2112462BA0	2	1~5	M6102461DAA	10	18	SL4051085SH	8	78
M2112462CA0	2	1~5	M6105461DAA	10	17	SM1040801SC	8	59
M2112462DA0	2	1~5	M7001370A0A	12	11	SM4030801SC	12	12
M2112462EA0	2	1~5	M8002430000	6	16	SM4030801SF	6	39
M2112462FA0	2	1~5	M8501378AA0	12	4	SM4051405SE	4	19
M2501386AAA	12	1	M8501461BA0	6	9~11	SM6031402TP	8	75
M3001461000	6	42	M8501461CA0	6	9~11	SM8040802TP	6	40
M3002461000	8	43	M8501461DA0	6	9~11	SM9040803SF	4	11
M3201461000	6	14	M8502461AA0	6	12	SS7121810SN	12	14
M3201462CA0	6	13	M8503461DA0	8	47	SV4030601SR	6	41
M3202461000	6	15	M8508461AA0	6	26	SV4031006SR	12	13
M3401461000	6	18·19	M8510461AA0	8	68·69	WP0430801SE	4	12
M3401461BA0	6	18·19	M8510461BA0	8	68·69	WP0531001SC	12	15
M3601461000	4	9	M8511461AA0	8	63	WP1052001SE	4	14
M3601461AA0	4	8	M8521353AA0	14	2	WS0310002KP	8	76

## NUMERICAL INDEX OF PARTS

PART NO	PAGE	REF NO.
WS0820002KR	10	6
WS1020002KR	4	15
WT0430001KN	8	79
WT0530001KN	8	80