

MODEL : AMS-210DHL-6320

List No : 1236-02

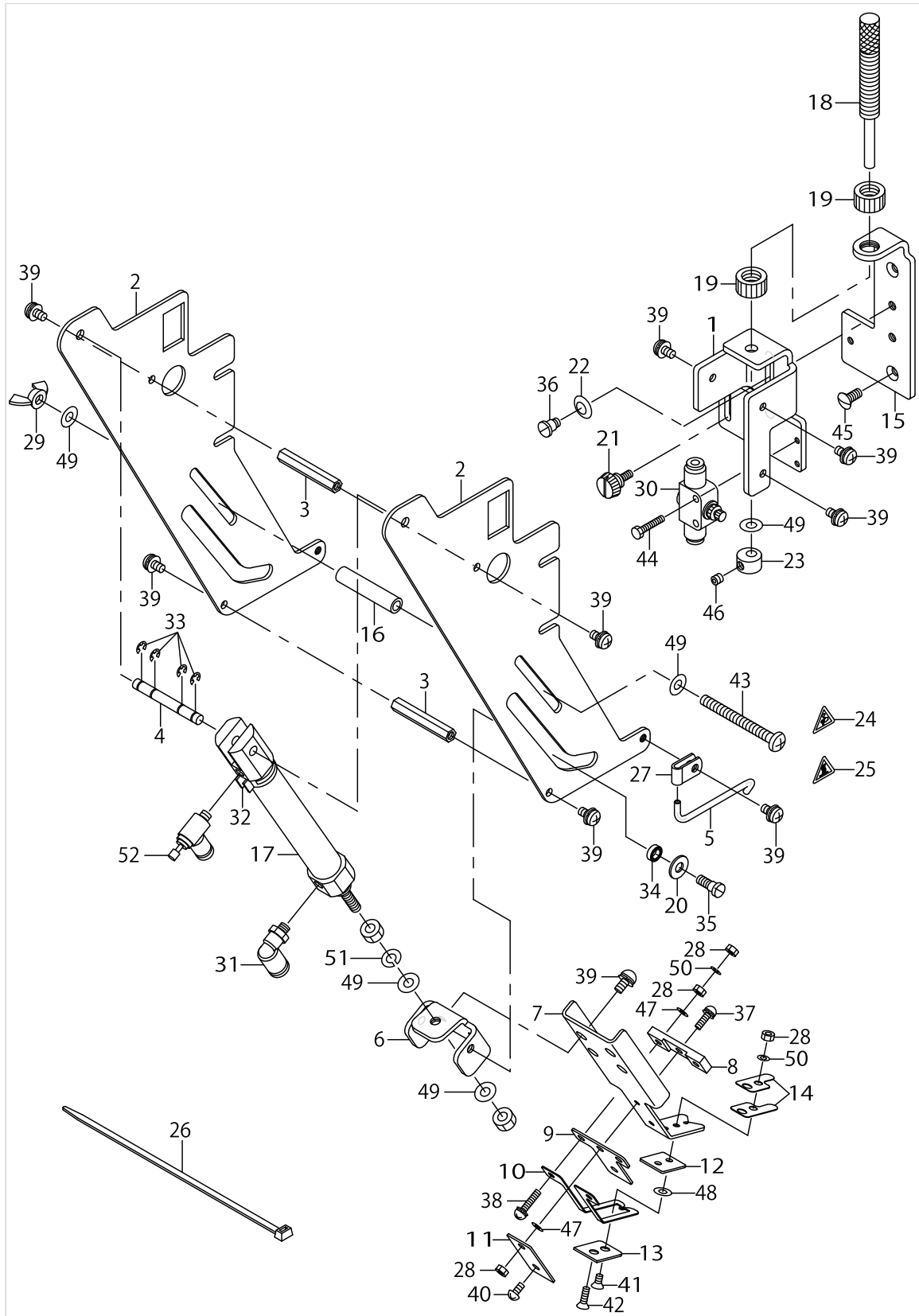
PARTS LIST

Published:05/12/2017

CONTENTS

UPPER HOT-WIRE COMPONENTS	1
LOWER HOT-WIRE COMPONENTS.....	5
NEEDLE THREAD FEEDER COMPONENTS.....	7
SOLENOID VALVE COMPONENTS	9
ELECTRICAL EQUIPMENT COMPONENTS	11
EXCLUSIVE PARTS FOR AMS-210DHL 6320	13
OPTIONAL PARTS	17
HOW TO MAKE USE OF THIS PARTS LIST	19

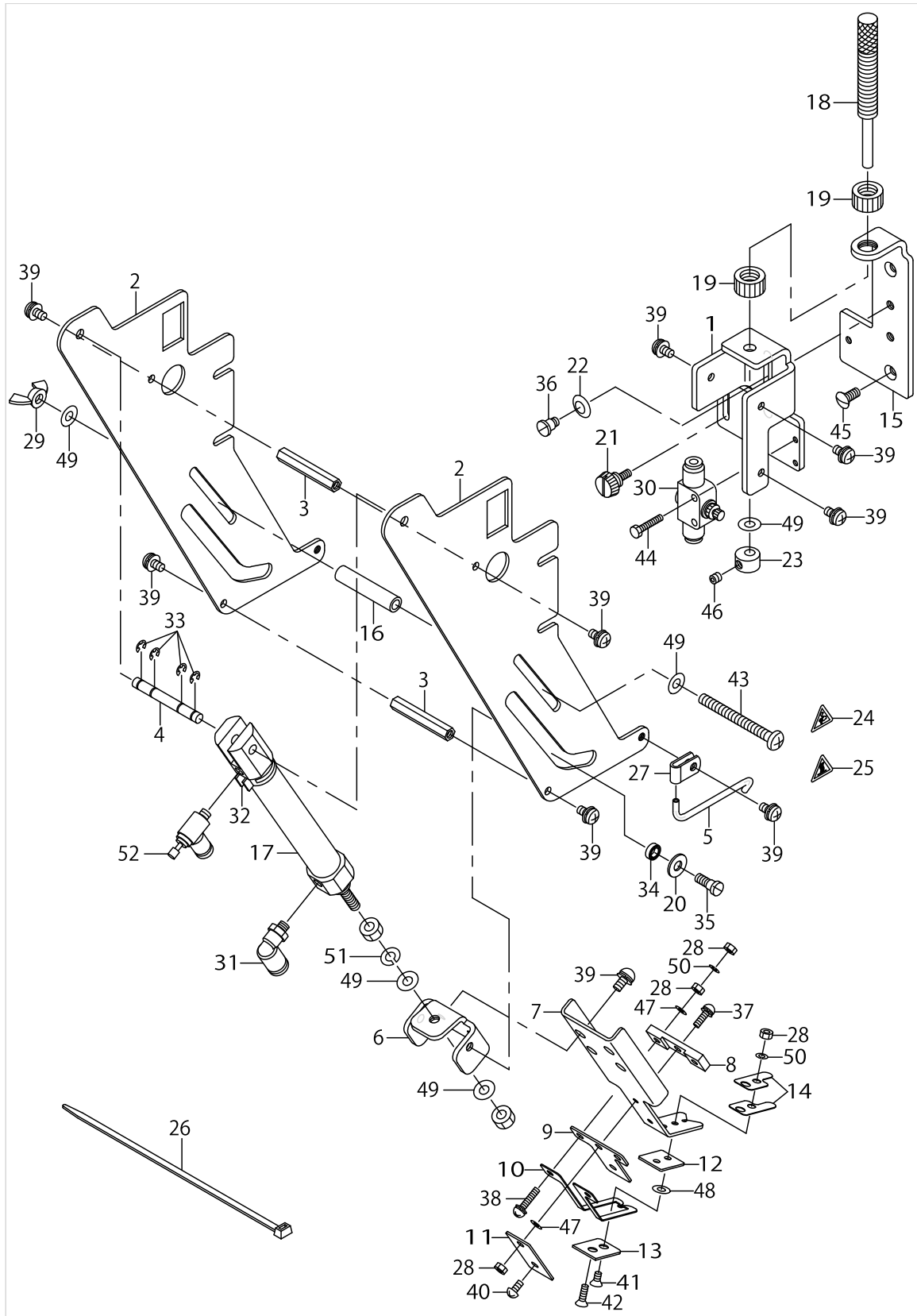
UPPER HOT-WIRE COMPONENTS



UPPER HOT-WIRE COMPONENTS

No.	Supply Code	Parts No.	Replacement	Parts name	Remarks	Choice	Step	Level	Cons	Qty	Rep. QTY
1		D1001D10N0H		FIXED PLATE						1	
2	D	D1002D10N0H		GUIDE PLATE						2	
3		D1003D10N0H		GUIDE STUD						2	
4		D1004D10N0H		CYLINDER FIXED SHAFT						1	
5	D	D1005D10N0H		AIR BLOW PIPE						1	
6	D	D1006D10N0H		THREAD TRIMMER GUIDE BASE						1	
7		D1007D10N0H		HEATER BASE						1	
8		D1008D10N0H		INSULATING PLATE C						1	
9	D	D1009D10N0H		INSULATING PLATE A						1	
10	D	D1010D10N0H		UPPER HOT-WIRE						1	
11	D	D1011D10N0H		INSULATING PLATE B						1	
12	D	D1012D10N0H		INSULATING PLATE D						1	
13	D	D1013D10N0H		INSULATING PLATE E						1	
14		D1014D10N0H		SPRING PLATE						2	
15		D1015D10N0H		ADJUST PLATE						1	
16		D1016D10N0H		THREAD TRIMMER STOPPER						1	
17	D	PA1607503A0		AIR CYLINDER						1	
18		12114716		PRESSER REGULATOR SCREW						1	
19		12114807		PRESSER REGULATOR NUT						2	
20		B2107816000		WASHER						2	
21		B2549372000		CLAMP SCREW A						1	
22		B3125155000		DISK SPRING						2	
23		B3418245000		SPRING HOLDER						1	
24		CM300200001		ATTENTION SEAL						1	
25		CM300300001		SEAL						1	
26		EA9500B0200		CABLE BAND 150						1	
27		HX001500000		CLIP						1	
28		NM6030001SC		NUT M3						6	
29		NM9050001SC		WING NUT M5X0.8						1	
30		PC012401000		SPEED CONTROLLER						1	
31		PJ304040504		ELBOW UNION						1	
32		PX5000480A0		SWITCH FITTING METAL						1	
33		RE0300000K0		E-RING 3						4	
34		SB105001400		ROLLING SHAFT HOLDER						2	
35		SD0500402SP		HINGE SCREW D= 5 H= 4						2	
36		SD0550451SP		HINGE SCREW						2	
37		SL4031091SC		SCREW M3 X 10						1	
38		SL4031481SC		SCREW M3 X 14						2	
39		SL4040891SC		SCREW M4 L=8						10	
40		SM0030601SC		SCREW M3X0.5 L=6						1	
41		SM1030401SE		SCREW M3 L=4						1	
42		SM1030801SE		SCREW M3X0.5 L=8						1	
43		SM4055001SF		SCREW M5 L=50						1	
44		SM9031603SE		SCREW M3 L=16						2	
45		SS2111010TP		SCREW 11/64-40 L=9.5						2	
46		SS8110422TP		SCREW 11/64-40 L=4						1	

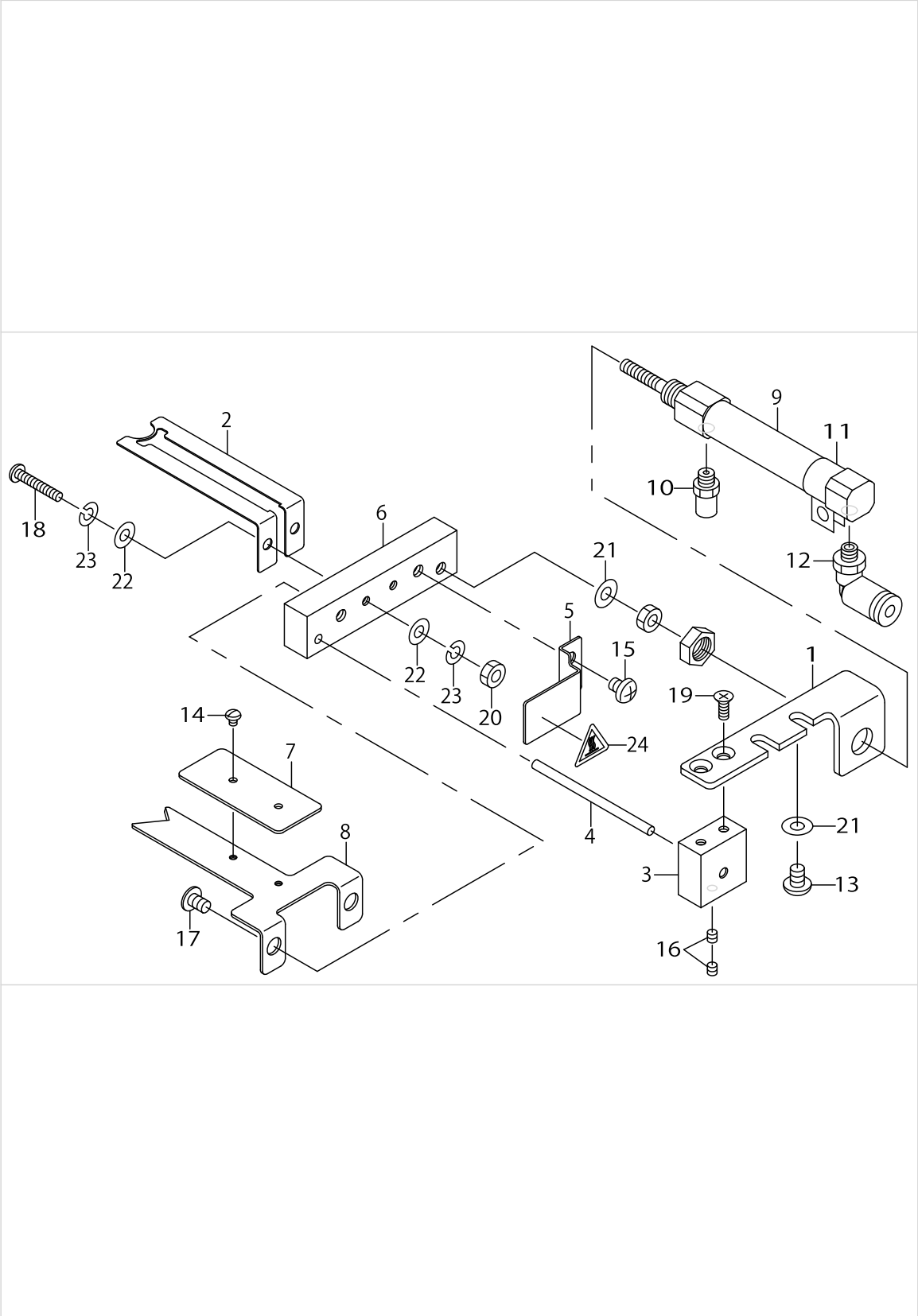
UPPER HOT-WIRE COMPONENTS



UPPER HOT-WIRE COMPONENTS

No.	Supply Code	Parts No.	Replacement	Parts name	Remarks	Choice	Step	Level	Cons	Qty	Rep. QTY
47		WP0320500SC		WASHER M3						4	
48		WP0460556SD		WASHER 4.6X7.5X0.5						2	
49		WP0531001SC		WASHER						5	
50		WS0310002KN		SPRING WASHER M3						3	
51		WS0510002KN		SPRING WASHER						1	
52		PC010508000		SPEED CONTROLLER						1	

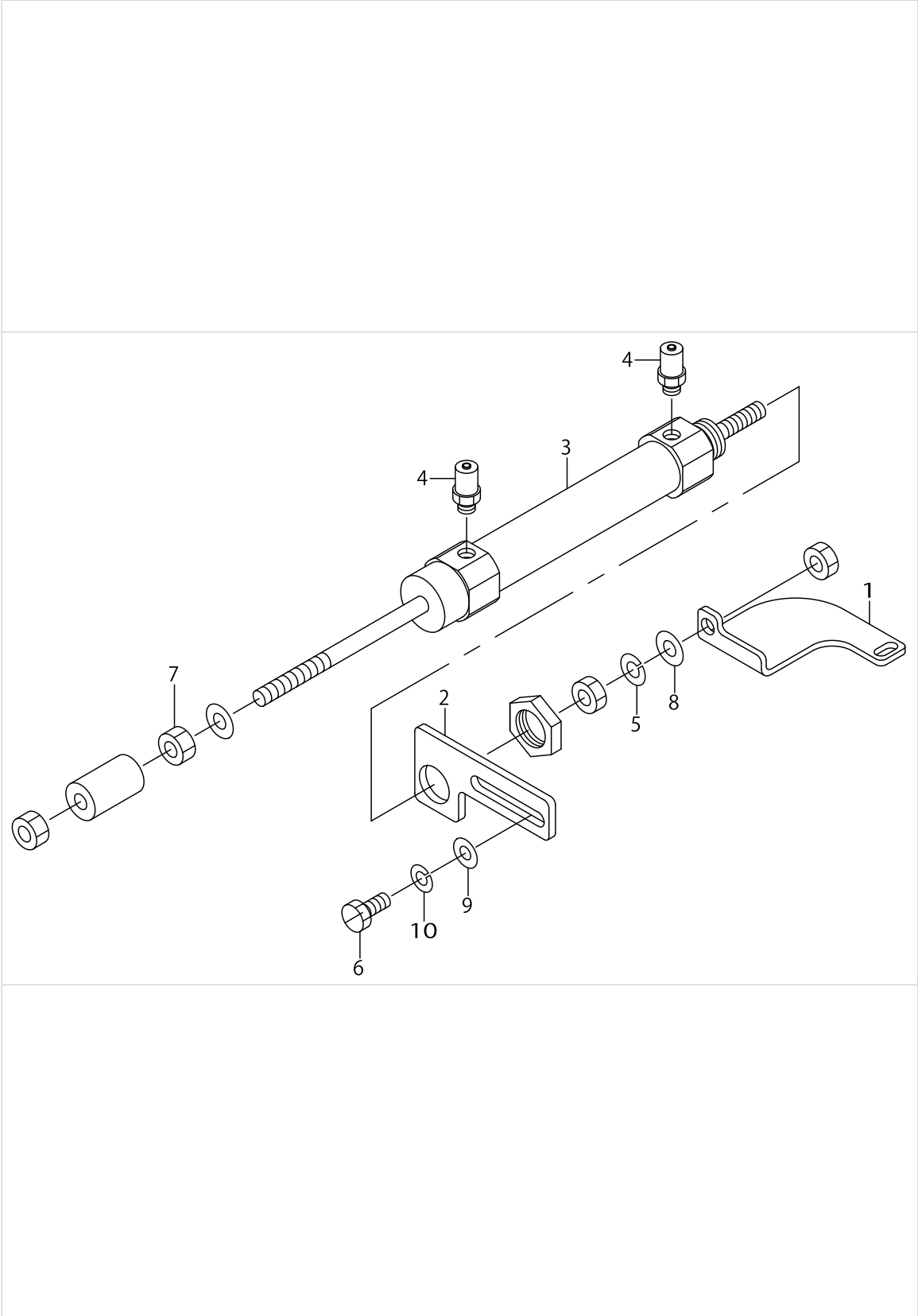
LOWER HOT-WIRE COMPONENTS



LOWER HOT-WIRE COMPONENTS

No.	Supply Code	Parts No.	Replacement	Parts name	Remarks	Choice	Step	Level	Cons	Qty	Rep. QTY
1		D2001D10N0H		CYLINDER STAY						1	
2	D	D2002D10N0H		LOWER HOT-WIRE						1	
3		D2003D10N0H		GUIDE BASE						1	
4		D2004D10N0H		GUIDE BAR						1	
5		D2005D10N0H		COVER						1	
6	D	D2006D10N0H		THREAD TRIMMER BASE						1	
7		D2007D10N0H		INSULATING PLATE G						1	
8	D	D2008D10N0H		LOWER THREAD FEEDER						1	
9		PA1003024A0		AIR CYLINDER						1	
10		PJ032052503		HOSE NIPPLE						1	
11		PX5000500A0		BRACKET						1	
12		PJ304040504		ELBOW UNION						1	
13		SS4110615SP		SCREW 11/64-40 L=6						2	
14		SS4060310SP		SCREW 3/32-56 L=2.5						2	
15		SM4040501SN		SCREW M4X0.7 L=5						1	
16		SM8030302TP		SCREW M3X0.5 L=3						2	
17		SM0040601SC		SCREW M4X0.7 L=6						2	
18		SM4031851SR		SCREW						2	
19		SM1030801SC		SCREW M3 L=8						2	
20		NM6030001SC		NUT M3						2	
21		WP0430800SC		WASHER M4						3	
22		WP0320500SC		WASHER M3						4	
23		WS0310002KN		SPRING WASHER M3						4	
24		CM300300001		SEAL						1	

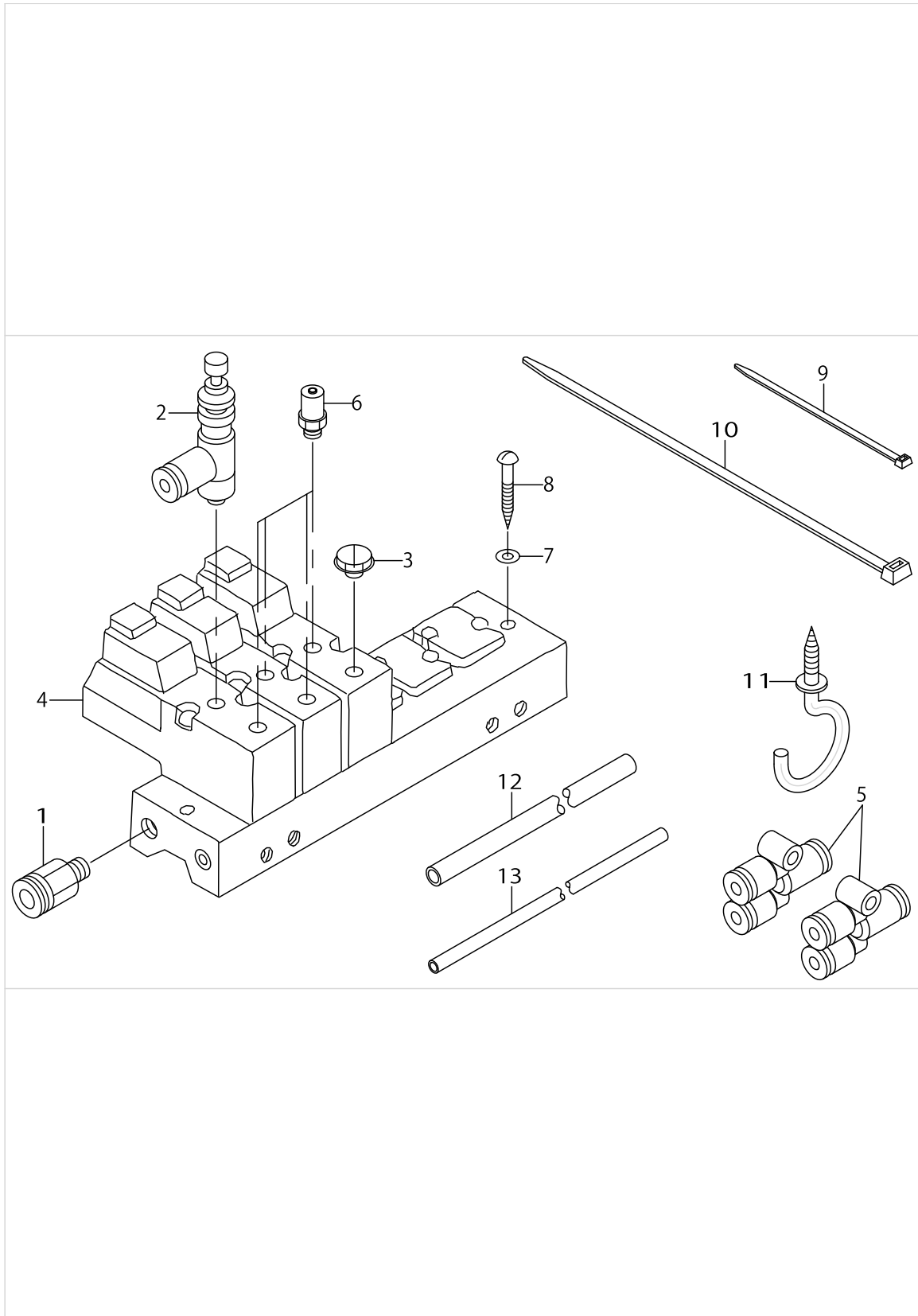
NEEDLE THREAD FEEDER COMPONENTS



NEEDLE THREAD FEEDER COMPONENTS

No.	Supply Code	Parts No.	Replacement	Parts name	Remarks	Choice	Step	Level	Cons	Qty	Rep. QTY
1	D	D3001D10N0H		NEEDLE THREAD FEEDER						1	
2	D	D3002D10N0H		NEEDLE THREAD FEEDING PLATE						1	
3		PA1604003A0		AIR CYLINDER						1	
4		PJ032052503		HOSE NIPPLE						2	
5		WS0510002KN		SPRING WASHER						1	
6		SS9111010SP		SCREW 11/64-40 L=9.5						2	
7		NM6060001SC		NUT M6						1	
8		WP0531001SC		WASHER						1	
9		WP0450801SD		WASHER 4.5X10X0.8						2	
10		WS0451040KP		SPRING WASHER 4.5X8.5X1						2	

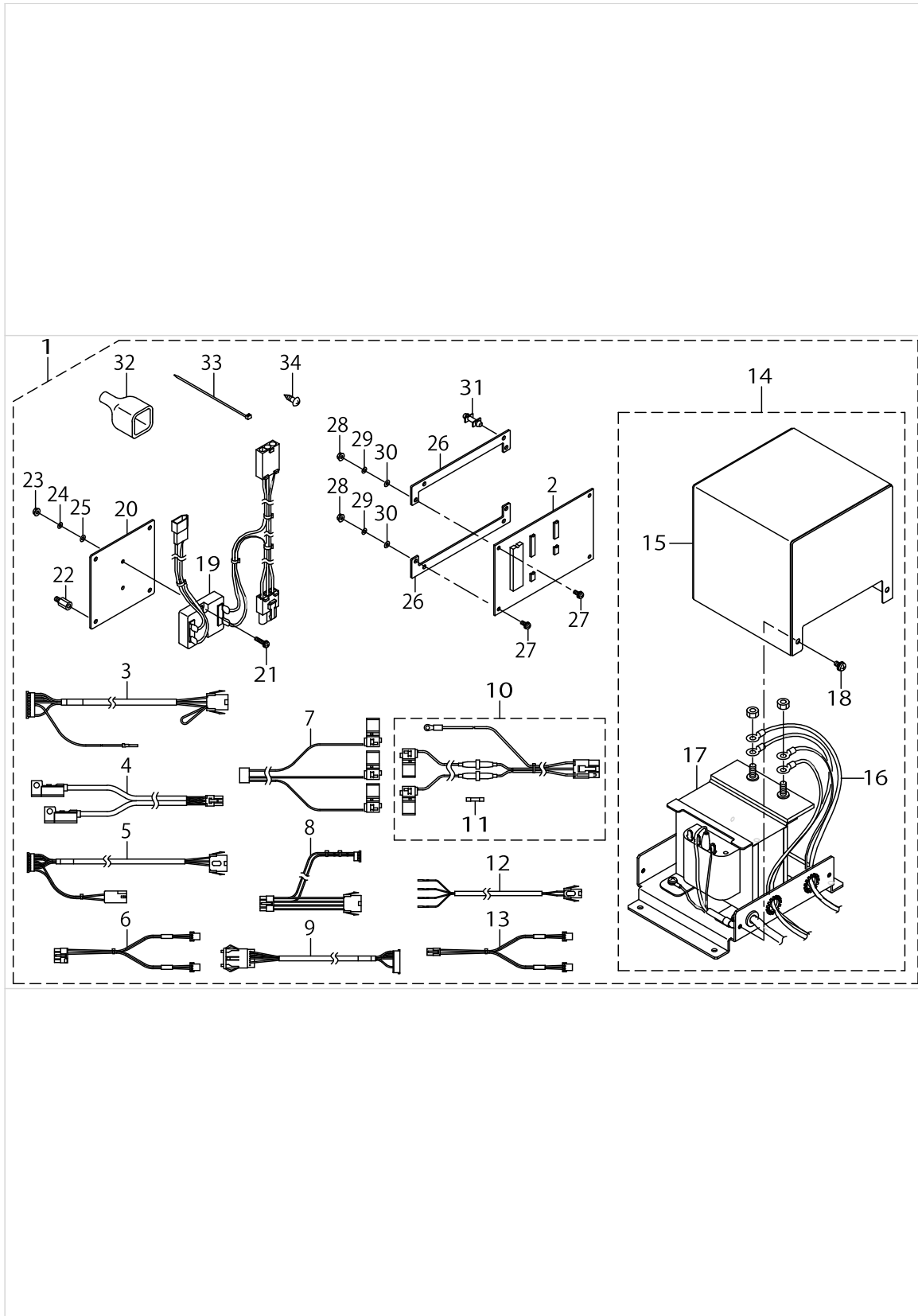
SOLENOID VALVE COMPONENTS



SOLENOID VALVE COMPONENTS

No.	Supply Code	Parts No.	Replacement	Parts name	Remarks	Choice	Step	Level	Cons	Qty	Rep. QTY
1		PJ301065103		HALF UNION 6XPT1/8						1	
2		PF070501000		PRESSURE DECREASING VALVE						1	
3		PJ020500002		PLUG						1	
4		PV0351240B0		SOLENOID VALVE ASM.						1	
5		PJ308040002		QUICK COUPLING						2	
6		PJ032052503		HOSE NIPPLE						4	
7		WP0320500SC		WASHER M3						2	
8		SK3312500SE		WOOD SCREW D=3.1 L=25						2	
9		EA9500B0000		CLIP CV-70S						10	
10		EA9500B0200		CABLE BAND 150						10	
11		MAT81163T00		CORD HOLDER						1	
12		BT0600401EB		TUBE						.8	
13		BT0400251EB		URETHANE HOSE, BLACK						9.4	

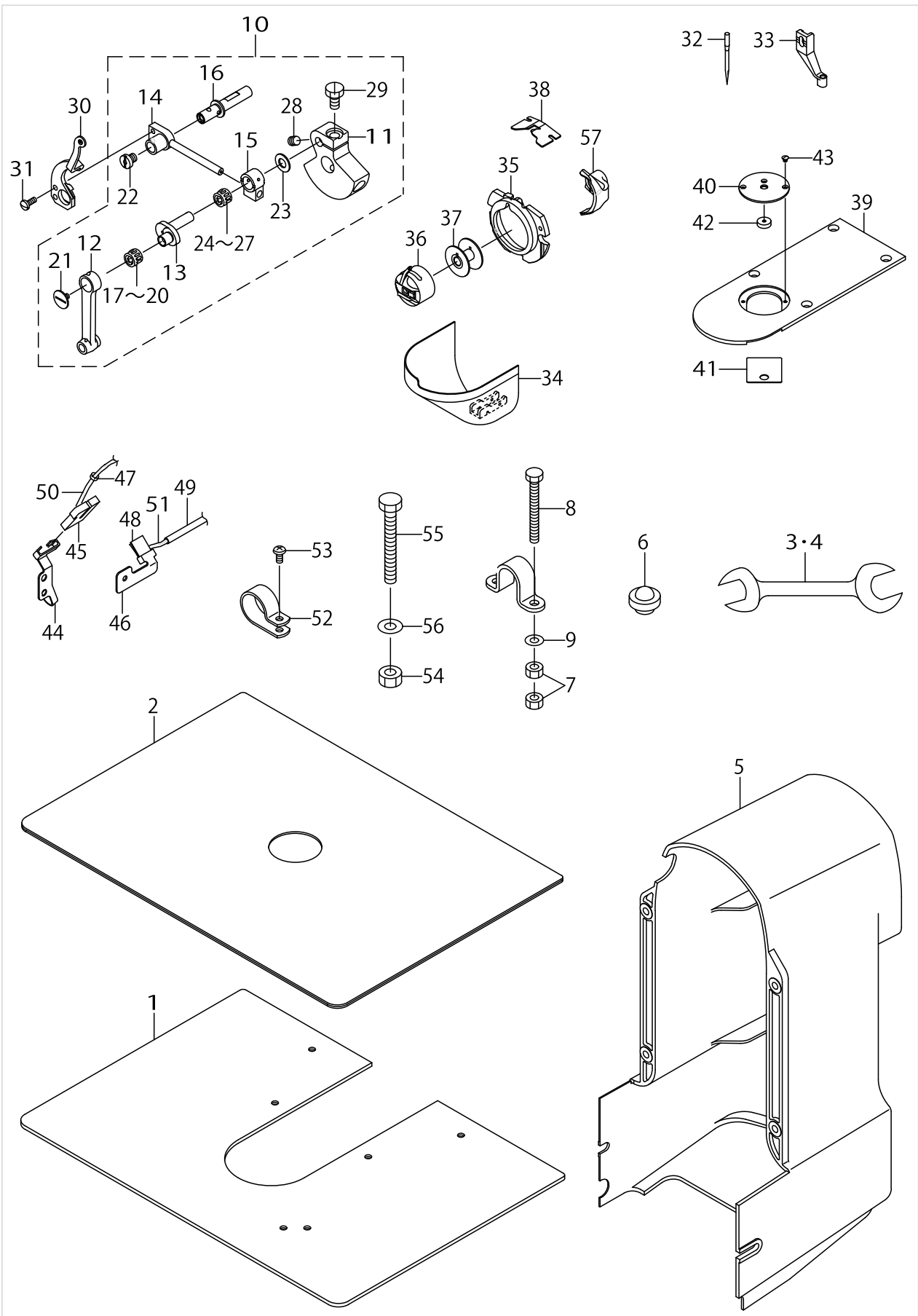
ELECTRICAL EQUIPMENT COMPONENTS



ELECTRICAL EQUIPMENT COMPONENTS

No.	Supply Code	Parts No.	Replacement	Parts name	Remarks	Choice	Step	Level	Cons	Qty	Rep. QTY
1	D	D5000D10NAH		AL-4 ELECTRICAL EQUIPMENT ASM.						1	
2	D	D5001D10NAH		AL-4 CPU CIRCUIT BOARD ASM.				*		1	
3	D	D5010D10NAH		SENSOR CONNECTING CORD ASM.				*		1	
4		D5011D10NAH		CYLINDER SENSOR ASM.				*		1	
5	D	D5012D10NAH		SOLENOID CONNECTING CORD ASM.				*		1	
6	D	D5013D10NAH		SOLENOID VALVE CORD ASM.				*		1	
7	D	D5014D10NAH		POWER SUPPLY CORD ASM.				*		1	
8	D	D5015D10NAH		WIPER SIGNAL CORD ASM.				*		1	
9		D5016D10NAH		DSW ASM.				*		1	
10		D5017D10NAHA		HEATER POWER SUPPLY CORD ASM.				*		1	
11	D	HF0014050S0		FUSE				*		2	
12	D	D5018D10NAH		J79-CN6 CONNECTING CORD ASM.				*		1	
13	D	D5019D10NAH		SOLENOID VALVE CORD A ASM.				*		1	
14		D5020D10NAH		HEATER TRANSFORMER COMPL.				*		1	
15		G5604341000		TRANSFORMER COVER				*		1	
16		D5021D10NAH		HEATER CORD ASM.				*		4	
17		D5022D10NAH		HEATER TRANSFORMER ASM.				*		1	
18		SL4040891SC		SCREW M4 L=8				*		4	
19		D5026D10NAH		HEATER RELAY ASM.				*		1	
20		D5025D10N0H		HEATER RELAY INSTALLING PLATE				*		1	
21		SL4031491SC		SCREW M3X14				*		2	
22		HX003390000		STUD				*		4	
23		NM6030001SC		NUT M3				*		2	
24		WS0310002KN		SPRING WASHER M3				*		2	
25		WP0320500SC		WASHER M3				*		2	
26	D	D5024D10N0H		CPU CIRCUIT BOARD FIX PLATE A				*		2	
27		SL4030891SC		SCREW M3X8				*		4	
28		NM6030001SC		NUT M3				*		4	
29		WS0310002KN		SPRING WASHER M3				*		4	
30		WP0320500SC		WASHER M3				*		4	
31		HX00438000A		SPACER				*		4	
32		M9637110000		12-POLE PLUG COVER				*		1	
33		EA9500B0100		CABLE BAND				*		1	
34		SK3451601SC		WOOD SCREW				*		4	

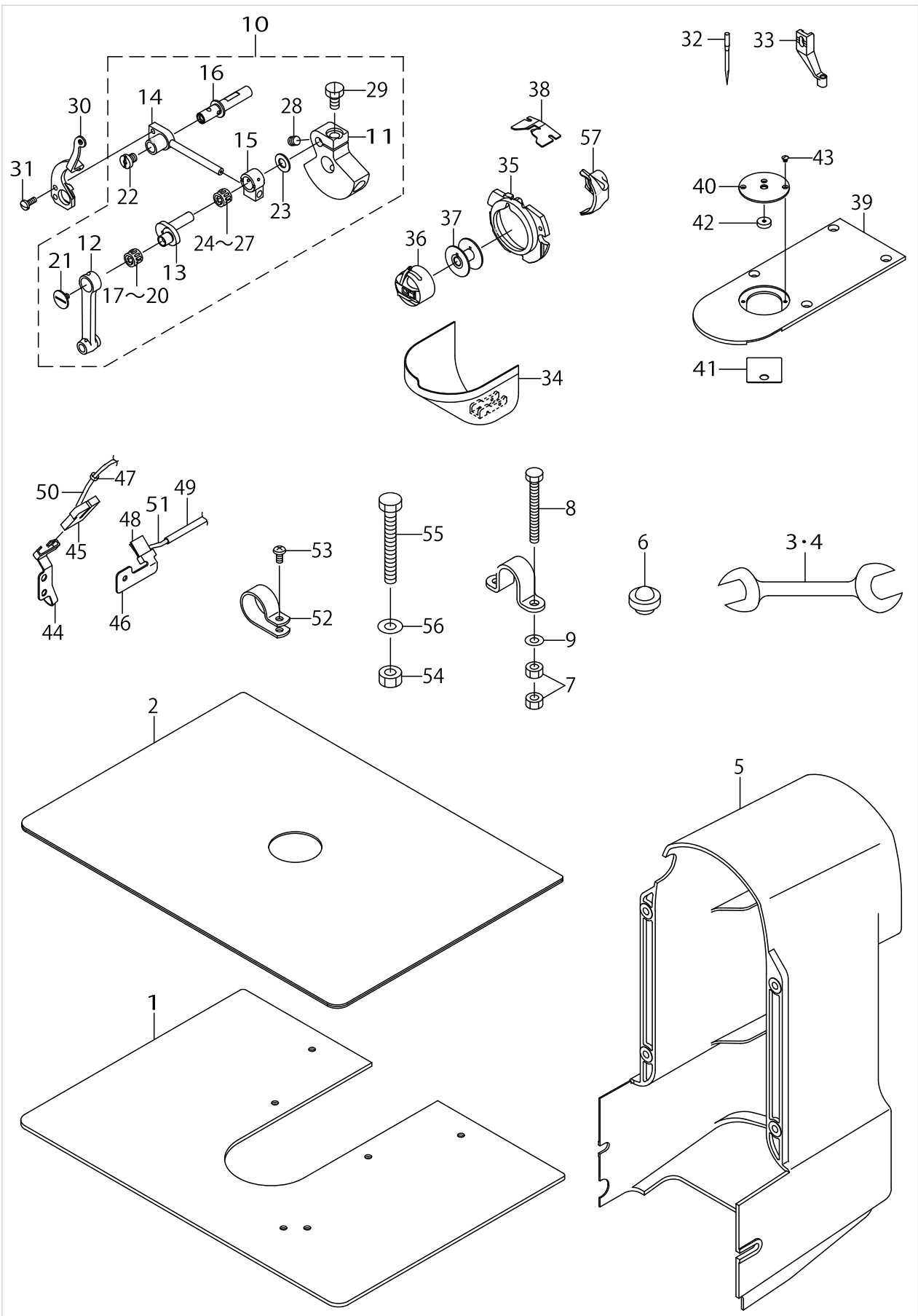
EXCLUSIVE PARTS FOR AMS-210DHL 6320



EXCLUSIVE PARTS FOR AMS-210DHL 6320

No.	Supply Code	Parts No.	Replacement	Parts name	Remarks	Choice	Step	Level	Cons	Qty	Rep. QTY
1		D4005D10N0H		NEEDLE PLATE SUPPORT COVER(AL)						1	
2		D4006D10N0H		COVER SHEET						1	
3		G5103151000		SPANNER 5.5X7						1	
4		B9143372000		WRENCH (7.1 X 8.1)						1	
5	D	B1107210D00		MOTOR COVER	FOR JAPAN					1	
6		11047107		RUBBER CUSHION	FOR JAPAN					3	
7		NM6060001SC		NUT M6	FOR JAPAN					8	
8		SM9065513SF		SCREW M6X55	FOR JAPAN					4	
9		WP0621016SD		WASHER 6.2X13X1	FOR JAPAN					4	
10	D	B1205210DA0		COUNTER WEIGHT ASM.						1	
11		B1205210D00		COUNTER WEIGHT				*		1	
12		B1404210D00		NEEDLE BAR CRANK				*		1	
13		B1408210D00		NEEDLE BAR CRANK				*		1	
14		B1903210D00		BALANCE SLIDE SHAFT				*		1	
15		B1904210D00		BALANCE SLIDE BLOCK				*		1	
16		B1906210D00		BALANCE SUPPORT SHAFT				*		1	
17	D	B1826512A00		NEEDLE BUSHING (A)	SELECTIVE PART			*		1	
18		B1826512B00		NEEDLE BUSHING (B)	SELECTIVE PART			*		1	
19	D	B1826512C00		NEEDLE BUSHING (C)	SELECTIVE PART			*		1	
20		B1826512D00		NEEDLE BUSHING (D)	SELECTIVE PART			*		1	
21		B1903552000		LEFT SCREW				*		1	
22		D1906L7VV00		SET SCREW				*		1	
23		10548501		THREAD TAKE-UP CRANK SPACER				*		1	
24		SB30700020A		BEARING	SELECTIVE PART			*		1	
25		SB30700020B		BEARING	SELECTIVE PART			*		1	
26		SB30700020C		BEARING	SELECTIVE PART			*		1	
27		SB30700020D		BEARING	SELECTIVE PART			*		1	
28		SS8660610TP		SCREW 1/4-40 L=6				*		1	
29		SS9661230CP		SCREW 1/4-40 L=12				*		1	
30		B1902210DA0		SLIDE BALANCE COMPL.						1	
31		SS7090910TP		SCREW 9/64-40 L=8.5						2	
32		MDP170B2600		NEEDLE DPX17 #26						1	
33		B1601210D0CA		INTERMEDIATE PRESSER C						1	
34		D4007D10N0H		CYLINDER ARM CAP						1	
35		D4008D10NAH		SHUTTLE RACE RING ASM.,H						1	
36		B1828210DAC		BOBBIN CASE ASM.						1	
37		B1806210D0A		BOBBIN						1	
38		B1815210D0A		SPRING						1	
39	D	D4001D10N0H		NEEDLE PLATE						1	
40		D4002D10N0H		NEEDLE HOLE GUIDE D=4.5						1	
41		D4003D10N0H		INSULATING PLATE F						1	
42		D4004D10N0H		HOT-WIRE SUPPORT						1	
43		SS2060320SP		SCREW 3/32-56 L=3.2						3	
44		B3502210D00		LUBRICATION PLATE						1	
45		B3503210D00		OIL FELT						1	

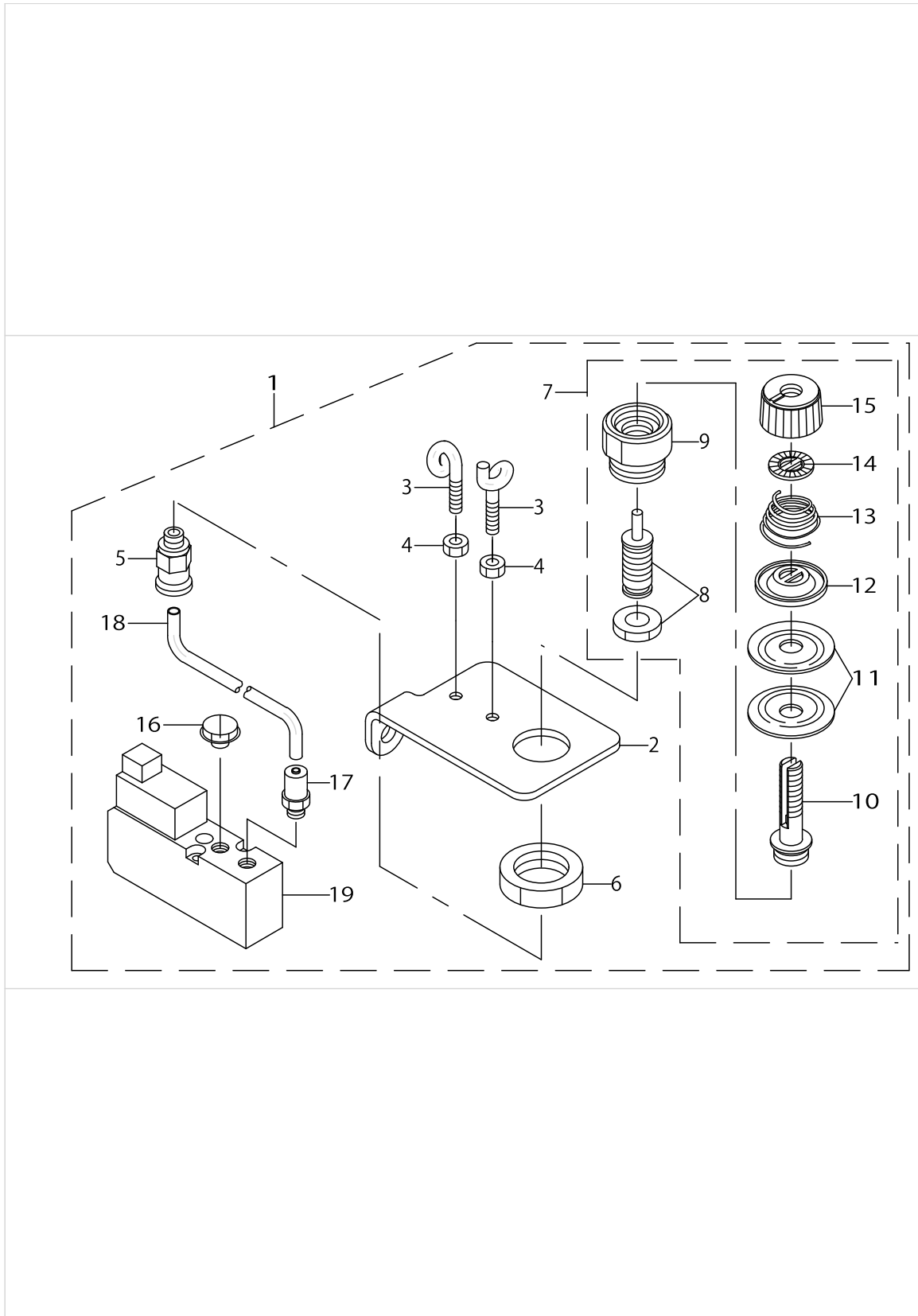
EXCLUSIVE PARTS FOR AMS-210DHL 6320



EXCLUSIVE PARTS FOR AMS-210DHL 6320

No.	Supply Code	Parts No.	Replacement	Parts name	Remarks	Choice	Step	Level	Cons	Qty	Rep. QTY
46		B3504210D00		LUBRICATION PLATE						1	
47	R	B1419026000	26230706	OIL WICK PRESSER						3	1.00
48		B3518280000		BALANCE LUBRICATING						1	
49		BP300000000		VINYL PIPE						.6	
50		CQ202000000		OIL WICK						.5	
51		CQ252200000		OIL WICK						.8	
52		HX00150000M		CABLE CLIP						3	
53		SS4110915SP		SCREW 11/64-40 L=9						3	
54		NM6080001SC		NUT M8X1.25	FOR JAPAN					1	
55	R	SM9086503SM	SM9086513SC	SCREW M8 L=65	FOR JAPAN					1	1.00
56		WP0851846SC		WASHER 8.5X22.0X1.8	FOR JAPAN					1	
57		D4009D10N0H		SHUTTLE DRIVER (FOR #8)						1	

OPTIONAL PARTS



OPTIONAL PARTS

No.	Supply Code	Parts No.	Replacement	Parts name	Remarks	Choice	Step	Level	Cons	Qty	Rep. QTY
1		D4012D10NAH		THREAD TENSION NO.3 ASM.SPECIA						1	
2		D4012D10N0H		THREAD TENSION NO.3 BASE				*		1	
3		B3114771000		THREAD GUIDE				*		2	
4		NS6090310SP		NUT 9/64-40				*		2	
5		PJ301040502		HALF UNION 4XM5				*		1	
6		NM6160511SE		NUT M16X1.5				*		1	
7		G23013090A0		THREAD TENSION ASM.				*		1	
8		PA0600504A0		AIR CYLINDER				*		1	
9		G2302309000		THREAD TENSION ROD BASE				*		1	
10		G2301309000		THREAD TENSION ROD				*		1	
11	R	B3126012000	22921506	THREAD TENSION DISK				*		2	1.00
12		B3132552000		THREAD TENSION DISK PRESSER				*		1	
13		B3121352000		TENSION SPRING				*		1	
14		B3120125000		ROTATING STOPPER				*		1	
15		11072204		TENSION NUT				*		1	
16		PJ020500002		PLUG				*		1	
17		PJ032052503		HOSE NIPPLE				*		1	
18		BT0400251EB		URETHANE HOSE, BLACK				*		1.4	
19		PV140501000		SOLENOID VALVE				*		1	

HOW TO MAKE USE OF THIS PARTS LIST

1.As to "#01" and "#02" refer to the "Note" given at the bottom of the respective pages.

2.Codes on the "Qty" column

- Each numeral indicates the number of parts required.
- "0.1" and "2.5" indicate the length (in meters) of the respective parts.

3.Parentheses mean that the corresponding part is a subpart that constructs an assembly part.

4.Dotted lines on the Figures indicate assembly parts.

1. リストページの# 0 1、# 0 2の印は、ページ下の"注記"の説明を参照下さい。
2. 数量欄の数字は、個数を表し、0. 1、2. 5等の数値は、長さ（単位メートル）を表します。
3. 数量欄の（ ）は、組部品を構成している子部品であることを意味します。
4. イラストページの-----枠は、組構成であることを意味します。

NUMERICAL INDEX OF PARTS

PART NO	PAGE	REF NO.	PART NO	PAGE	REF NO.	PART NO	PAGE	REF NO.
10548501	14	23	CQ202000000	16	50	D5013D10NAH	12	6
11047107	14	6	CQ252200000	16	51	D5014D10NAH	12	7
11072204	18	15	D1001D10N0H	2	1	D5015D10NAH	12	8
12114716	2	18	D1002D10N0H	2	2	D5016D10NAH	12	9
12114807	2	19	D1003D10N0H	2	3	D5017D10NAHA	12	10
B1107210D00	14	5	D1004D10N0H	2	4	D5018D10NAH	12	12
B1205210D00	14	11	D1005D10N0H	2	5	D5019D10NAH	12	13
B1205210DA0	14	10	D1006D10N0H	2	6	D5020D10NAH	12	14
B1404210D00	14	12	D1007D10N0H	2	7	D5021D10NAH	12	16
B1408210D00	14	13	D1008D10N0H	2	8	D5022D10NAH	12	17
B1419026000	16	47	D1009D10N0H	2	9	D5024D10N0H	12	26
B1601210D0CA	14	33	D1010D10N0H	2	10	D5025D10N0H	12	20
B1806210D0A	14	37	D1011D10N0H	2	11	D5026D10NAH	12	19
B1815210D0A	14	38	D1012D10N0H	2	12	EA9500B0000	10	9
B1826512A00	14	17~20	D1013D10N0H	2	13	EA9500B0100	12	33
B1826512B00	14	17~20	D1014D10N0H	2	14	EA9500B0200	2	26
B1826512C00	14	17~20	D1015D10N0H	2	15	EA9500B0200	10	10
B1826512D00	14	17~20	D1016D10N0H	2	16	G2301309000	18	10
B1828210DAC	14	36	D1906L7VV00	14	22	G23013090A0	18	7
B1902210DA0	14	30	D2001D10N0H	6	1	G2302309000	18	9
B1903210D00	14	14	D2002D10N0H	6	2	G5103151000	14	3·4
B1903552000	14	21	D2003D10N0H	6	3	G5604341000	12	15
B1904210D00	14	15	D2004D10N0H	6	4	HF0014050S0	12	11
B1906210D00	14	16	D2005D10N0H	6	5	HX001500000	2	27
B2107816000	2	20	D2006D10N0H	6	6	HX00150000M	16	52
B2549372000	2	21	D2007D10N0H	6	7	HX003390000	12	22
B3114771000	18	3	D2008D10N0H	6	8	HX00438000A	12	31
B3120125000	18	14	D3001D10N0H	8	1	M9637110000	12	32
B3121352000	18	13	D3002D10N0H	8	2	MAT81163T00	10	11
B3125155000	2	22	D4001D10N0H	14	39	MDP170B2600	14	32
B3126012000	18	11	D4002D10N0H	14	40	NM6030001SC	2	28
B3132552000	18	12	D4003D10N0H	14	41	NM6030001SC	6	20
B3418245000	2	23	D4004D10N0H	14	42	NM6030001SC	12	28
B3502210D00	14	44	D4005D10N0H	14	1	NM6060001SC	8	7
B3503210D00	14	45	D4006D10N0H	14	2	NM6060001SC	14	7
B3504210D00	16	46	D4007D10N0H	14	34	NM6080001SC	16	54
B3518280000	16	48	D4008D10NAH	14	35	NM6160511SE	18	6
B9143372000	14	3·4	D4009D10N0H	16	57	NM9050001SC	2	29
BP300000000	16	49	D4012D10N0H	18	2	NS6090310SP	18	4
BT0400251EB	10	13	D4012D10NAH	18	1	PA0600504A0	18	8
BT0400251EB	18	18	D5000D10NAH	12	1	PA1003024A0	6	9
BT0600401EB	10	12	D5001D10NAH	12	2	PA1604003A0	8	3
CM300200001	2	24	D5010D10NAH	12	3	PA1607503A0	2	17
CM300300001	2	25	D5011D10NAH	12	4	PC010508000	4	52
CM300300001	6	24	D5012D10NAH	12	5	PC012401000	2	30

NUMERICAL INDEX OF PARTS

PART NO	PAGE	REF NO.	PART NO	PAGE	REF NO.
PF070501000	10	2	SS2111010TP	2	45
PJ020500002	10	3	SS4060310SP	6	14
PJ020500002	18	16	SS4110615SP	6	13
PJ032052503	6	10	SS4110915SP	16	53
PJ032052503	8	4	SS7090910TP	14	31
PJ032052503	10	6	SS8110422TP	2	46
PJ032052503	18	17	SS8660610TP	14	28
PJ301040502	18	5	SS9111010SP	8	6
PJ301065103	10	1	SS9661230CP	14	29
PJ304040504	2	31	WP0320500SC	4	47
PJ304040504	6	12	WP0320500SC	6	22
PJ308040002	10	5	WP0320500SC	10	7
PV0351240B0	10	4	WP0320500SC	12	30
PV140501000	18	19	WP0430800SC	6	21
PX5000480A0	2	32	WP0450801SD	8	9
PX5000500A0	6	11	WP0460556SD	4	48
RE0300000K0	2	33	WP0531001SC	4	49
SB105001400	2	34	WP0531001SC	8	8
SB30700020A	14	24~27	WP0621016SD	14	9
SB30700020B	14	24~27	WP0851846SC	16	56
SB30700020C	14	24~27	WS0310002KN	4	50
SB30700020D	14	24~27	WS0310002KN	6	23
SD0500402SP	2	35	WS0310002KN	12	29
SD0550451SP	2	36	WS0451040KP	8	10
SK3312500SE	10	8	WS0510002KN	4	51
SK3451601SC	12	34	WS0510002KN	8	5
SL4030891SC	12	27			
SL4031091SC	2	37			
SL4031481SC	2	38			
SL4031491SC	12	21			
SL4040891SC	2	39			
SL4040891SC	12	18			
SM0030601SC	2	40			
SM0040601SC	6	17			
SM1030401SE	2	41			
SM1030801SC	6	19			
SM1030801SE	2	42			
SM4031851SR	6	18			
SM4040501SN	6	15			
SM4055001SF	2	43			
SM8030302TP	6	16			
SM9031603SE	2	44			
SM9065513SF	14	8			
SM9086503SM	16	55			
SS2060320SP	14	43			