

MODEL : AK118

List No : 1266-01

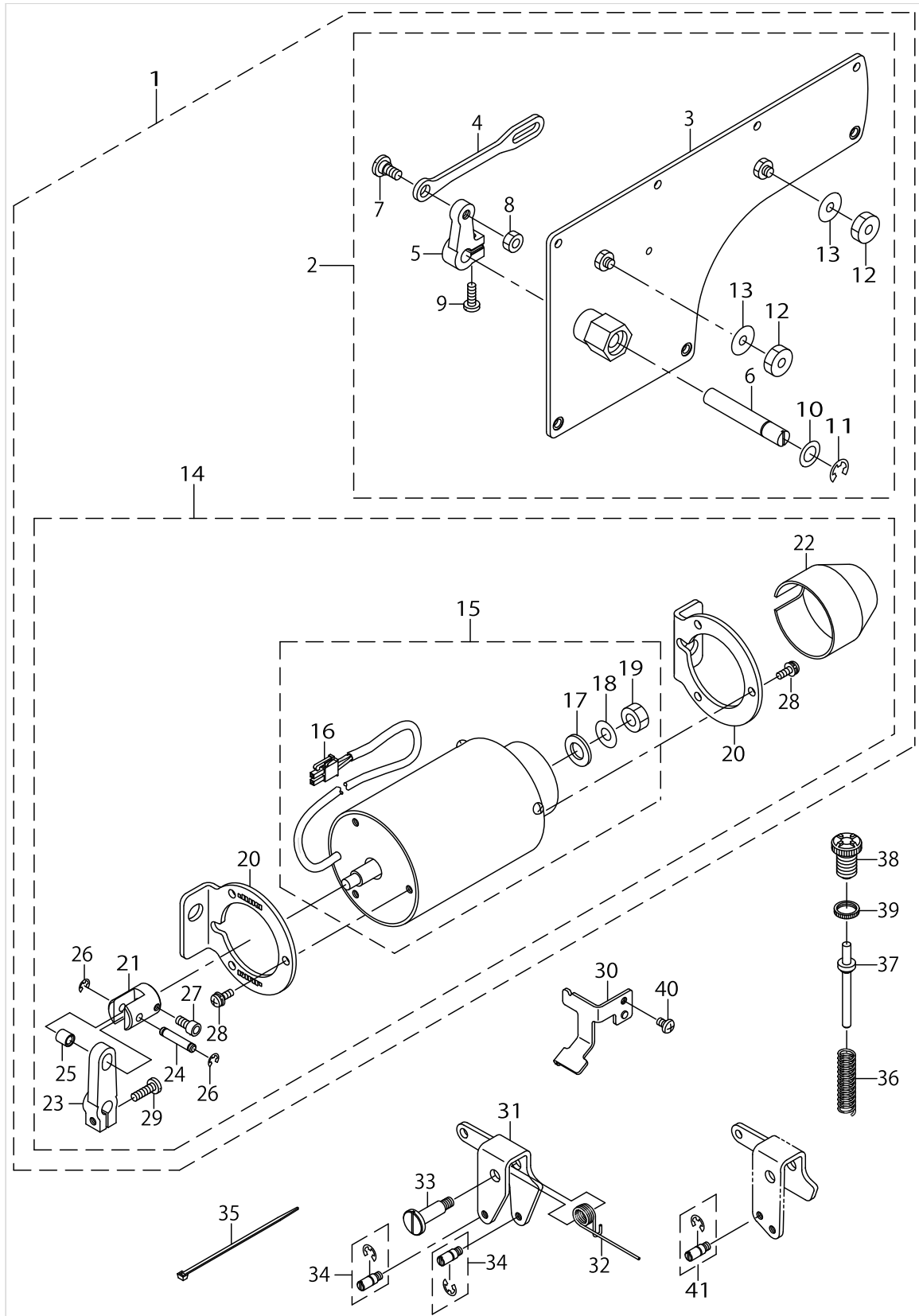
PARTS LIST

Published:05/12/2017

CONTENTS

AK DEVICE COMPONENTS.....	1
HOW TO MAKE USE OF THIS PARTS LIST	3

AK DEVICE COMPONENTS



AK DEVICE COMPONENTS

No.	Supply Code	Parts No.	Replacement	Parts name	Remarks	Choice	Step	Level	Cons	Qty	Rep. QTY
1		GAKA18010A0		AK DEVICE ASM.						1	
2		GAKA18200B0		SIDE PLATE ASM.				*		1	
3		GAKA18200A0		SIDE PLATE COMPL.				*		1	
4		GAKA1826000		SOLENOID LINK				*		1	
5		GAK33027000		SOLENOID ARM				*		1	
6	R	GAK33028000	22991400	SOLENOID SHAFT				*		1	1.00
7		SD0800352SP		HINGE SCREW D= 8 H= 3.5				*		1	
8		NS6150310SP		NUT 15/64-28				*		1	
9	R	SS7121410SP	SS7121410TP	SCREW 3/16-28 L=14				*		1	1.00
10		WP1021016SD		WASHER				*		1	
11		RE0700000K0		E-RING 7				*		1	
12		NS6150440SP		NUT 15/64-28				*		2	
13		WP0621036SP		WASHER				*		2	
14	R	GAKA18300B0	40101423	AK SOLENOID ASM.,B				*		1	1.00
15	R	GAKA18300A0	40101423	AK SOLENOID ASM.,A				*		1	1.00
16		HK034610020		2-POLE NYLON PLUG				*		1	
17		GAK33031000		SOLENOID RUBBER,A				*		1	
18		WP0851846SC		WASHER 8.5X22.0X1.8				*		1	
19		NM6080600SM		NUT M8				*		1	
20		GAK3303400A		SOLENOID BASE				*		2	
21		GAK33035000		SOLENOID COLLAR				*		1	
22		GAK3303600A		SOLENOID COVER				*		1	
23		GAK33011000		SOLENOID ARM, A				*		1	
24		GAK33012000		SOLENOID PIN				*		1	
25		GAK33013000		SOLENOID PIN COLLAR				*		1	
26		RE0400000KP		E-RING 4				*		2	
27		SM6051002TP		SCREW M5X0.8 L=10				*		1	
28		SL4051281SE		SCREW				*		6	
29		SM6051552TP		SCREW M5 L=15				*		1	
30		GAKA1840000		KNEE LIFTER LINK SPRING PLATE	FOR DDL-9000					1	
31		GAKA1841000		KNEE LIFTER LINK	FOR DDL-9000					1	
32		GAKA1842000		KNEE LIFTER LINK SPRING						1	
33		GAKA1843000		KNEE LIFTER LINK FULCRUM SHAFT	FOR DDL-9000					1	
34		GAK330400A0		SHAFT PIN ASM.	FOR DDL-9000					2	
35		HX000430000		CLIP						1	
36		M4011351000		SPRING B						2	
37		M4009351000A		SPRING SHAFT B						1	
38		M4012351000		ADJUST SCREW						1	
39		M2010110000		ADJUST NUT						1	
40		SS4110715SP		SCREW 11/64-40 L=7	FOR DDL-9000					1	
41		GAK330400A0		SHAFT PIN ASM.	FOR DLN-9010					1	

HOW TO MAKE USE OF THIS PARTS LIST

1.As to "#01" and "#02" refer to the "Note" given at the bottom of the respective pages.

2.Codes on the "Qty" column

- Each numeral indicates the number of parts required.
- "0.1" and "2.5" indicate the length (in meters) of the respective parts.

3.Parentheses mean that the corresponding part is a subpart that constructs an assembly part.

4.Dotted lines on the Figures indicate assembly parts.

1. リストページの# 0 1、# 0 2の印は、ページ下の"注記"の説明を参照下さい。
2. 数量欄の数字は、個数を表し、0. 1、2. 5等の数値は、長さ（単位メートル）を表します。
3. 数量欄の（ ）は、組部品を構成している子部品であることを意味します。
4. イラストページの-----枠は、組構成であることを意味します。

NUMERICAL INDEX OF PARTS

PART NO	PAGE	REF NO.
GAK33011000	2	23
GAK33012000	2	24
GAK33013000	2	25
GAK33027000	2	5
GAK33028000	2	6
GAK33031000	2	17
GAK3303400A	2	20
GAK33035000	2	21
GAK3303600A	2	22
GAK330400A0	2	41
GAKA18010A0	2	1
GAKA18200A0	2	3
GAKA18200B0	2	2
GAKA1826000	2	4
GAKA18300A0	2	15
GAKA18300B0	2	14
GAKA1840000	2	30
GAKA1841000	2	31
GAKA1842000	2	32
GAKA1843000	2	33
HK034610020	2	16
HX000430000	2	35
M2010110000	2	39
M4009351000A	2	37
M4011351000	2	36
M4012351000	2	38
NM6080600SM	2	19
NS6150310SP	2	8
NS6150440SP	2	12
RE0400000KP	2	26
RE0700000K0	2	11
SD0800352SP	2	7
SL4051281SE	2	28
SM6051002TP	2	27
SM6051552TP	2	29
SS4110715SP	2	40
SS7121410SP	2	9
WP0621036SP	2	13
WP0851846SC	2	18
WP1021016SD	2	10