

MODEL : FLS-350NA

List No : 1264-00

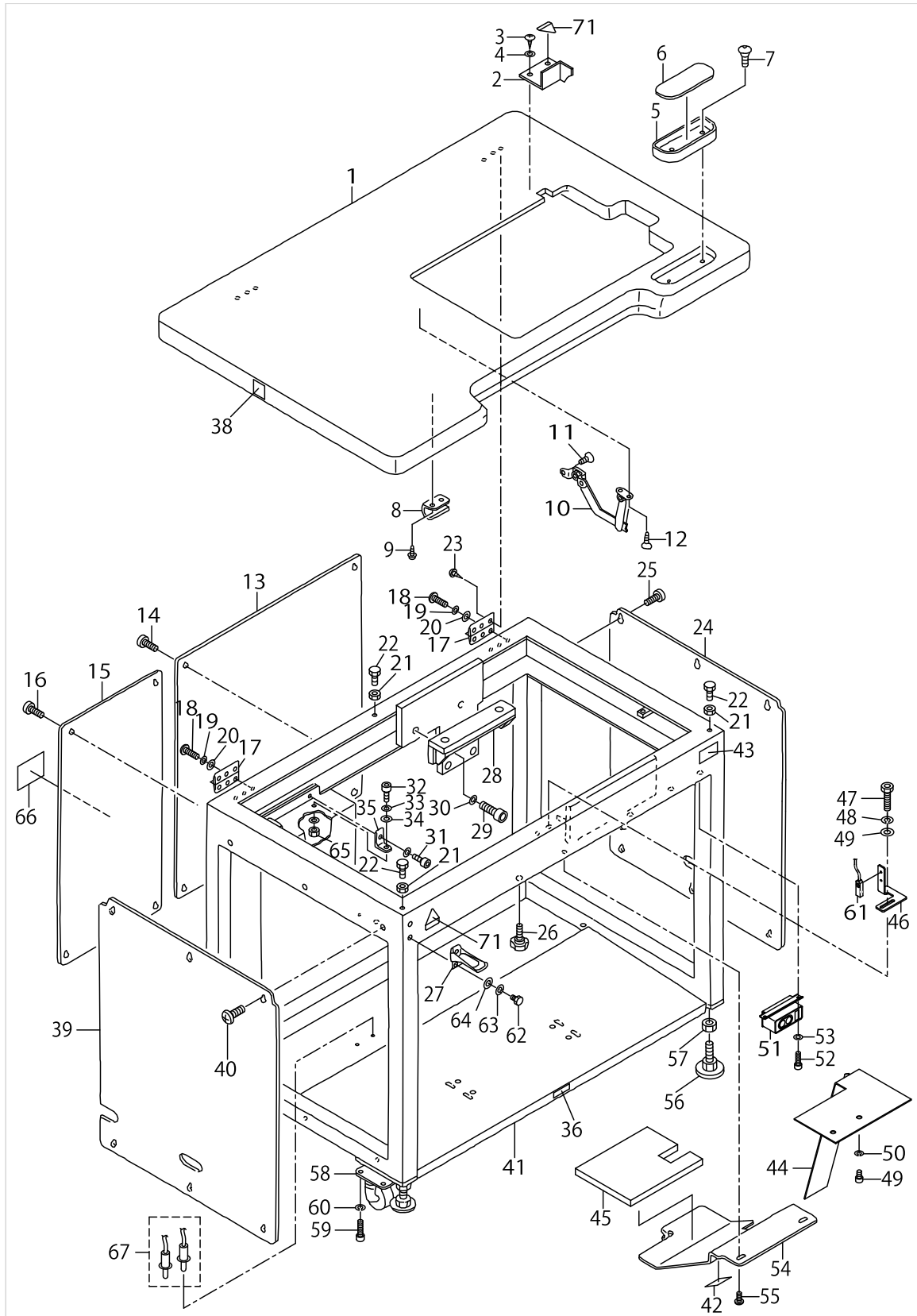
PARTS LIST

Published:05/12/2017

CONTENTS

FRAME & COVER COMPONENTS.....	1
GEAR BOX FRAME COMPONENTS(1).....	5
GEAR BOX FRAME COMPONENTS(2).....	9
HANDLE & MOTOR COMPONENTS.....	11
LEET,RIGHT LOOPER COMPONENTS.....	15
THREAD STAND COMPONENTS.....	19
THREADING COMPONENTS.....	21
UPPER NEEDLE BAR COMPONENTS.....	23
LOWER NEEDLE BAR COMPONENTS.....	27
DRUM COMPONENTS.....	31
CYLINDRICAL CAM SHAFT COMPONENTS.....	33
LOWER LOOPER COMPONENTS.....	37
HOOK & NEEDLE GRASP COMPONENTS.....	41
HOOK COMPONENTS.....	43
KNEE PRESS LIFTER COMPONENTS.....	45
PRESSER FOOT COMPONENTS.....	47
LOWER FEED COMPONENTS.....	51
INTERMEDIATE PLATE &FEED CHANGE MOTOR COMPONENTS.....	55
FEED CONNECTING COMPONENTS.....	57
TRANSMISSION COMPONENTS (1).....	59
TRANSMISSION COMPONENTS (2).....	61
TRANSMISSION COMPONENTS (3).....	63
ACCESSORIES COMPONENTS.....	65
HOW TO MAKE USE OF THIS PARTS LIST.....	67

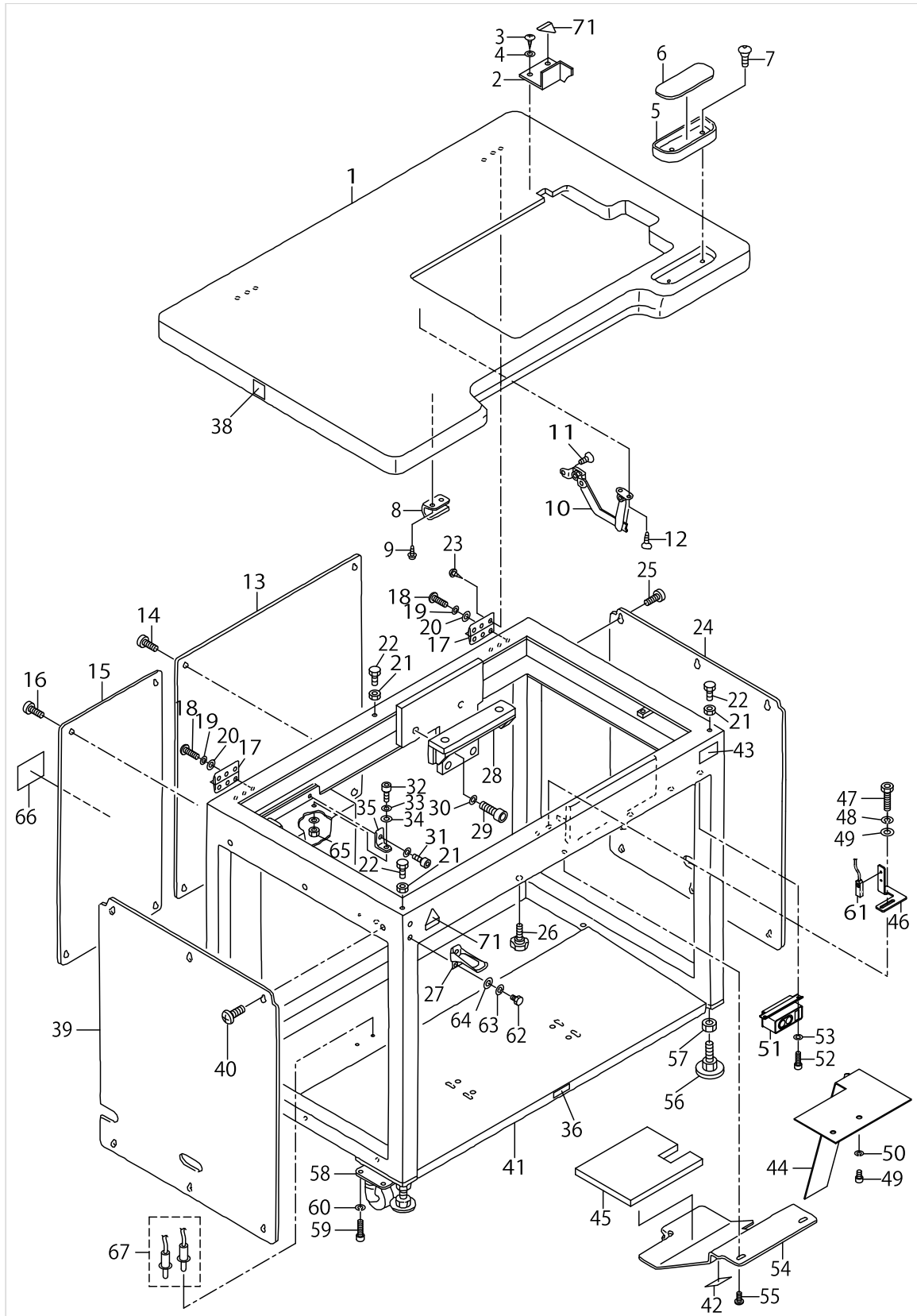
FRAME & COVER COMPONENTS



FRAME & COVER COMPONENTS

No.	Supply Code	Parts No.	Replacement	Parts name	Remarks	Choice	Step	Level	Cons	Qty	Rep. QTY
1		25235409		TABLE						1	
2	D	16679102		BELT COVER						1	
3		ST4041621SN		TAPPING SCREW						2	
4		WP0320501SC		WASHER M3						2	
5		11156007		CASE						1	
6		11155801		CASE MAGNET						1	
7		SK3382001SC		WOOD SCREW D=3.8 L=20						2	
8		16679201		HOOK BRACKET						1	
9		16717704		TAPPING SCREW						2	
10		16715906		STAY						1	
11		SM1040852TP		DISH SCREW						2	
12		16718009		TAPPING SCREW						2	
13	D	25236209		FRAME COVER,B						1	
14		SM0050801SC		SCREW						6	
15	D	25236100		FRAME COVER,A						1	
16		SM0050801SC		SCREW						4	
17		16679003		HINGE						2	
18		SM6051552TP		SCREW M5 L=15						6	
19		WS0510002KN		SPRING WASHER						6	
20		WP0531001SC		WASHER						6	
21		NM6060001SC		NUT M6						3	
22		16677809		ADJUSTING BOLT						3	
23		16717803		TAPPING SCREW						6	
24	D	25236407		FRAME COVER,D						1	
25		SM0050801SC		SCREW						6	
26		25252305		KNOB						1	
27		16716003		CATCH CLIP						1	
28		16677700		GEAR BOX INSTALLING BASE						1	
29		SM6103002TP		HEXAGNAN-HOLE BOLT						2	
30		WS1020002KN		SPRING WASHER M10						2	
31		SM6051202TP		SCREW M5X0.8 L=12						2	
32		SM6051552TP		SCREW M5 L=15						2	
33		WS0510002KN		SPRING WASHER						4	
34		WP0531001SC		WASHER						6	
35		25235508		TRANSMISSION BOX BRACKET						2	
36		16870206		GRAVITY SEAL						2	
37		CM3002000B2		LABEL(25).						2	
38		16701302		TABLE CAUTION LABEL						2	
39	D	25236407		FRAME COVER,D						1	
40		SM0050801SC		SCREW						6	
41		25243502		FRAME						1	
42		CM300600102		LABEL(LARGE)						1	
43		CM300200301		SAFETY LABEL, 5(SMALL).						1	
44		25223801		PULLEY COVER						1	
45	D	25251208		NOISE-PROOF RUBBER						1	
46		25161506		DRUM SENSOR BRACKET						1	

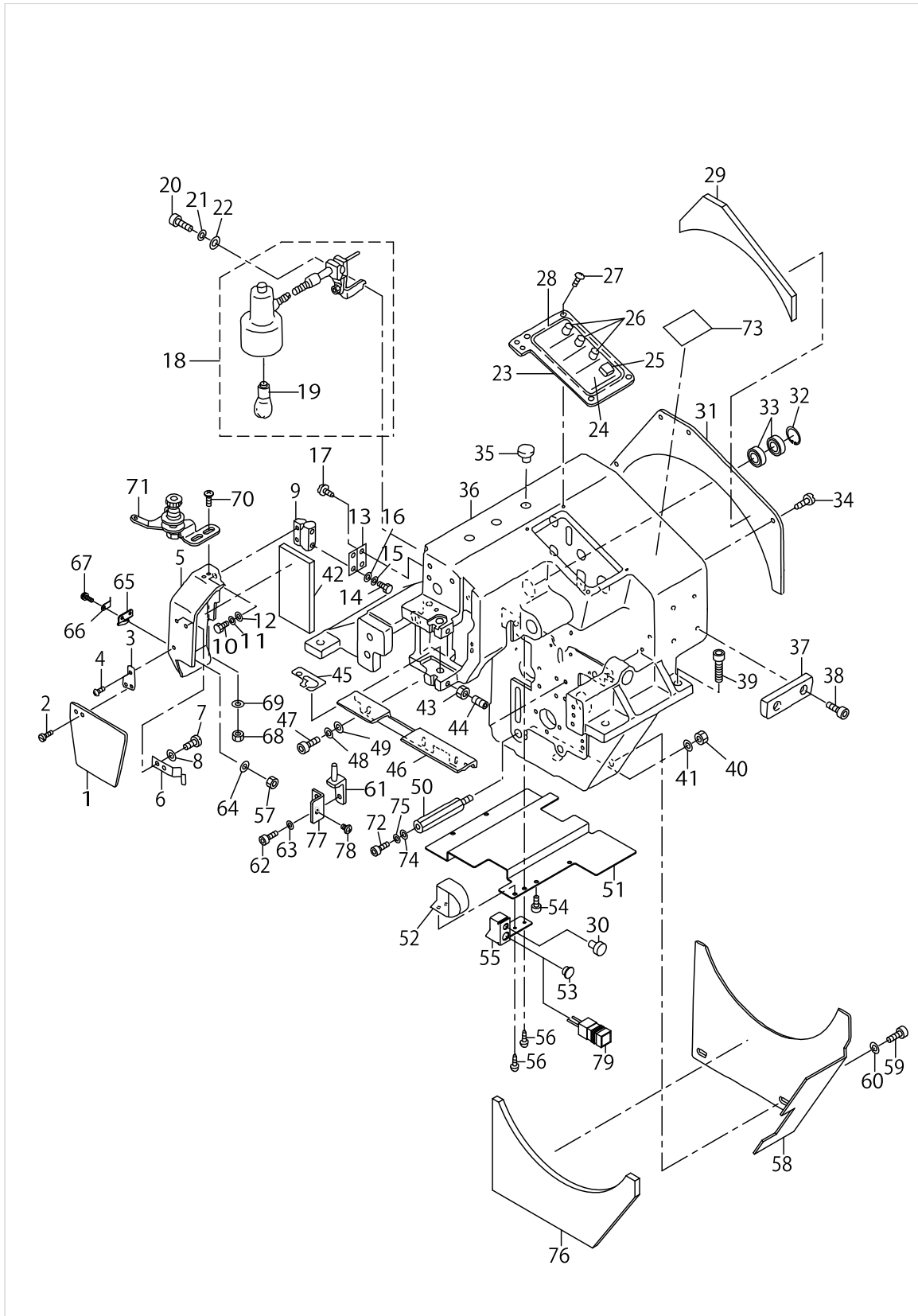
FRAME & COVER COMPONENTS



FRAME & COVER COMPONENTS

No.	Supply Code	Parts No.	Replacement	Parts name	Remarks	Choice	Step	Level	Cons	Qty	Rep. QTY
47		SM6041002TP		SCREW M4 L=10						2	
48		WS0410002KN		SPRING WASHER						2	
49		SM6061002TP		SCREW M6 L=10						2	
50		WS0610002KN		SPRING WASHER 6.1X12.2X1.5						2	
51		25162959		POWER SOURCE SWITCH ASM.						1	
52		SM6051002TP		SCREW M5X0.8 L=10						2	
53		WS0510002KN		SPRING WASHER						2	
54		25238304		FRONT PANEL						1	
55		SM0050801SC		SCREW						3	
56		16716508		ADJUSTER FOOT						4	
57		NM6201202SC		NUT M20						4	
58		16715609		CASTER						4	
59		SM6061202TP		SCREW M6 L=12						16	
60		WS0610002KN		SPRING WASHER 6.1X12.2X1.5						16	
61	D	25212150		NS-5 CABLE ASM.						1	
62		SM9061003SC		SCREW M6X10						2	
63		WS0610002KN		SPRING WASHER 6.1X12.2X1.5						2	
64		WP0641601SC		WASHER						2	
65		NM6050001SC		NUT M5						2	
66		CM300100102		DANGER LABEL (LARGE)						1	
67		25208950		PITCH TRIMMING BOX ASM.						1	

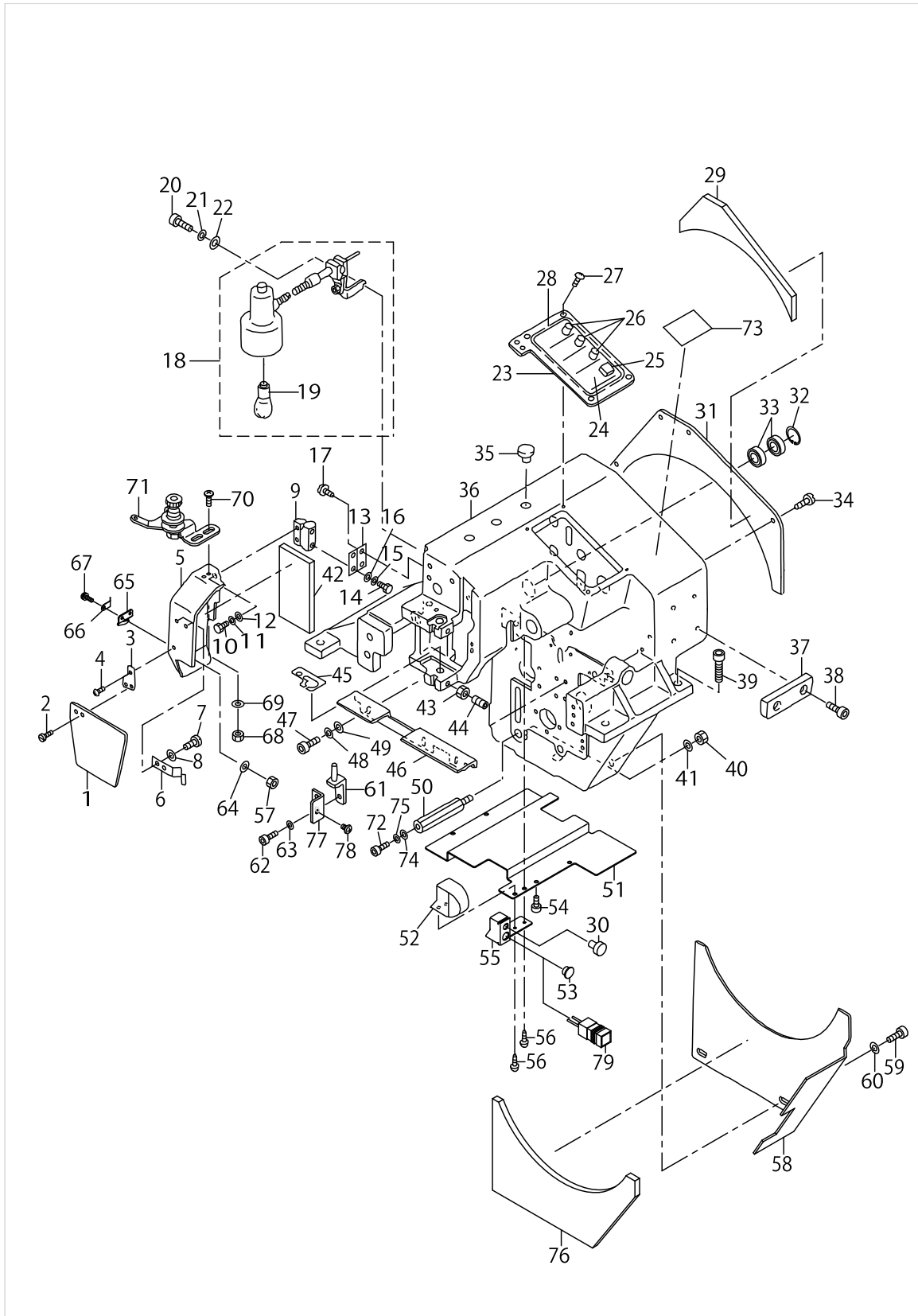
GEAR BOX FRAME COMPONENTS(1)



GEAR BOX FRAME COMPONENTS(1)

No.	Supply Code	Parts No.	Replacement	Parts name	Remarks	Choice	Step	Level	Cons	Qty	Rep. QTY
1		16680100		SAFETY COVER						1	
2		SS4090610SP		SCREW 9/64-40 L=6						1	
3		16680001		COVER BRACKET						1	
4		SM0040801SC		SCREW						1	
5	D	25236506		BED COVER						1	
6		16679904		PLATE SPRING						1	
7		SS7120410TP		SCREW 3/16-28 L=4.2						2	
8		WP0430801SC		WASHER 4.3X9X0.8						2	
9		16716409		HINGE						1	
10		SM9040803SD		BOLT M4X0.7 L=8						2	
11		WS0410002KN		SPRING WASHER						2	
12		WP0430801SC		WASHER 4.3X9X0.8						2	
13		25236605		COVER FITTING PLATE						1	
14		SM9051603SD		BOLT M5X0.8 L=16						2	
15		WS0510002KN		SPRING WASHER						2	
16		WP0531001SC		WASHER						2	
17		SM0041001SC		SCREW M4 L=10						2	
18		16590200		LAMP						1	
19		16590309		LIGHT				*		1	
20		SM6062002TP		SCREW M6 L=20						1	
21		WS0610002KN		SPRING WASHER 6.1X12.2X1.5						1	
22		WP0641601SC		WASHER						1	
23		25236704		PANEL COVER						1	
24		25214305		OPERATION PANEL SEAT						1	
25	D	HA002510010		SWITCH BUTTON						1	
26	D	HX001650000		PICK-UP						3	
27		SM0040801SC		SCREW						4	
28	D	16554552		PANEL CIRCUIT BOARD ASM.						1	
29		25251000		NOISE-PROOF RUBBER						1	
30		25209255		PB-5 CABLE ASM.,2						1	
31		25237009		G.B COVER						1	
32		16718702		RETAINING RING						1	
33		16710006		BEARING						2	
34		SM4040601SC		SCREW M4X0.7 L=6						4	
35		20321204		BUSH						1	
36		25215005		G.B FRAME,A						1	
37		25243403		PLATE						1	
38		SM6041002TP		SCREW M4 L=10						2	
39		SM6104002TP		SCREW						4	
40	R	NM6120001SC	NM6120002SE	NUT M12						1	1.00
41	R	WS1220002KN	WS1220002KP	SPRING WASHER						1	1.00
42	D	25250804		NOISE-PROOF RUBBER						1	
43		NM6030003SC		NUT M3						2	
44		SM8030802TP		SCREW M3X0.5 L=8						2	
45		25248204		OIL RESERVOIR SEAT						1	
46		25234709		COVER HOLDING,1						1	

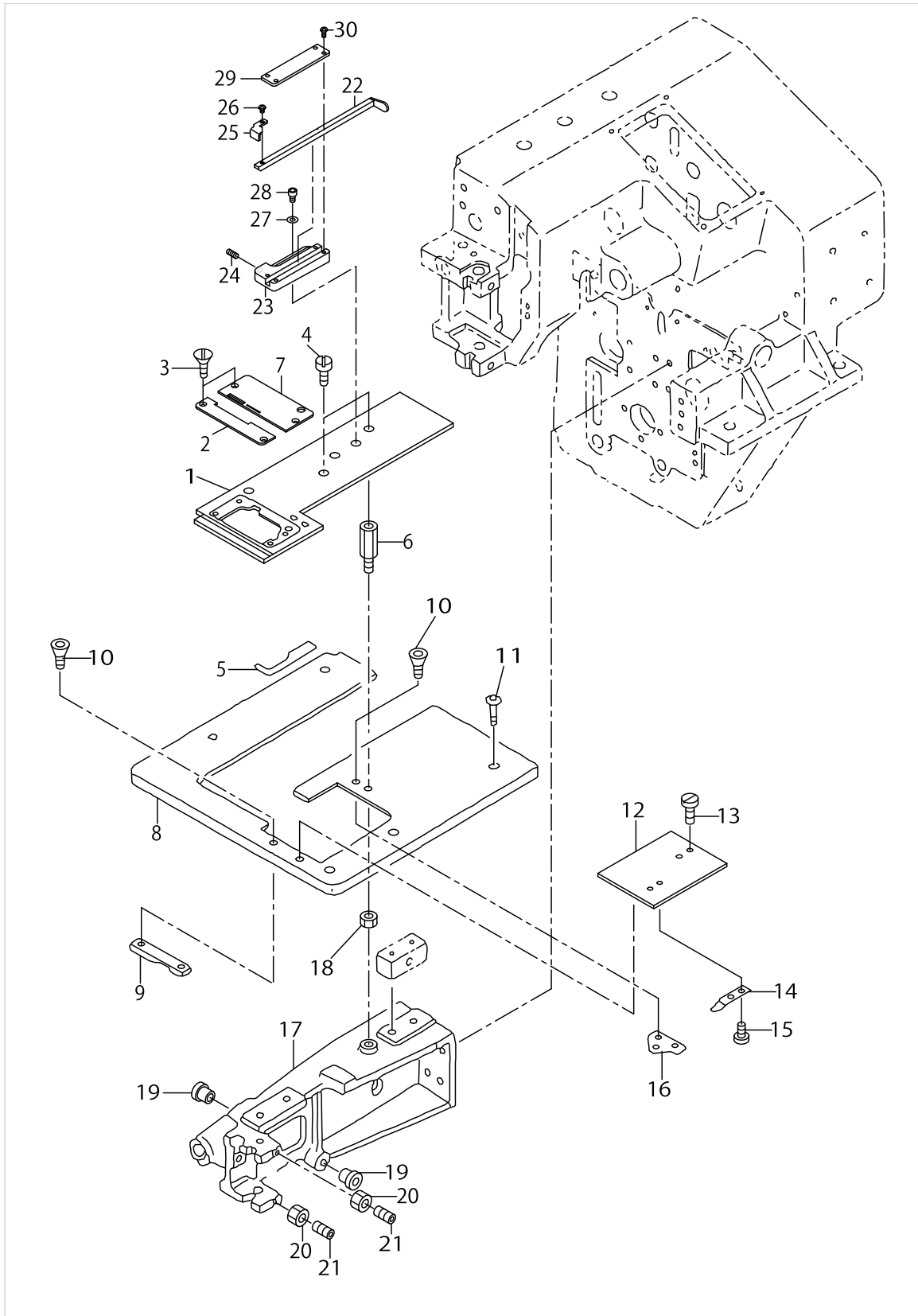
GEAR BOX FRAME COMPONENTS(1)



GEAR BOX FRAME COMPONENTS(1)

No.	Supply Code	Parts No.	Replacement	Parts name	Remarks	Choice	Step	Level	Cons	Qty	Rep. QTY
47		SM6040802TP		SCREW M4X0.7 L=8						3	
48		WS0410002KN		SPRING WASHER						3	
49		WP0430801SC		WASHER 4.3X9X0.8						3	
50		25216706		CONNECTING STUD						1	
51		25161407		UNDER COVER						1	
52		25234303		NEEDLE ROD SHAFT COVER						1	
53		B1150490000		RUBBER PLUG						1	
54		25251604		BOLT						4	
55		25162405		NEAR SWITCH BRACKET						1	
56	D	25251802		BOLT						2	
57		NM6860001SC		NUT M2.6						1	
58		25237108		G.B REAR COVER						1	
59		SM6061002TP		SCREW M6 L=10						2	
60		WS0610002KN		SPRING WASHER 6.1X12.2X1.5						2	
61		16680209		PIN BRACKET						1	
62		SM6041202TP		SCREW M4X0.7 L=12						2	
63		WS0410002KN		SPRING WASHER						2	
64		WP0280500SC		WASHER						1	
65		11521903		THREAD TRIMMER						1	
66	D	25156407		THREAD PRESSER PLATE						1	
67		SM0860501SC		SCREW M2.6X0.45 L=5						1	
68		NM6040001SC		NUT M4						2	
69		WP0430801SC		WASHER 4.3X9X0.8						2	
70		SM0041201SA		SCREW M4X0.7 L=12						2	
71		13764352		TENSION BRACKET CONNEC.						1	
72	D	SM6123002TP		SCREW M12 L=30						1	
73		CM300600102		LABEL(LARGE)						1	
74		WP1302500SC		WASHER						1	
75	R	WS1220002KN	WS1220002KP	SPRING WASHER						1	1.00
76		25251109		NOISE-PROOF RUBBER						1	
77		25161001		HEAD COVER FIXING BRACKET						1	
78		SM4040601SC		SCREW M4X0.7 L=6						1	
79	D	25162751		THREAD LEAD-IN SWITCH ASM.	OPTIONAL PART					1	

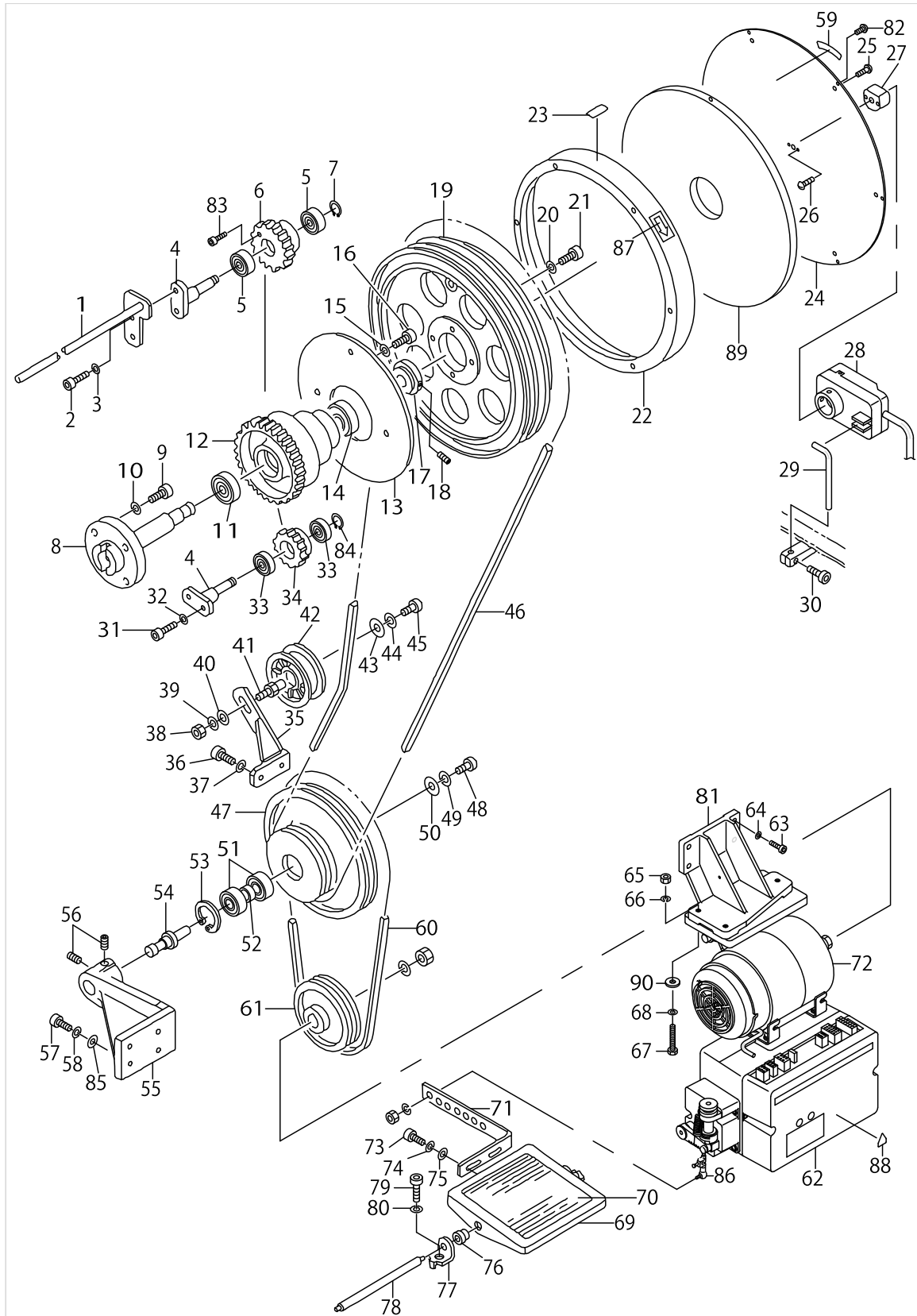
GEAR BOX FRAME COMPONENTS(2)



GEAR BOX FRAME COMPONENTS(2)

No.	Supply Code	Parts No.	Replacement	Parts name	Remarks	Choice	Step	Level	Cons	Qty	Rep. QTY
1		25226200		WORKPIECE PLATE						1	
2	D	25249004		THROAT PLATE						1	
3		SS2090510SP		SCREW 9/64-40 L=5						4	
4		SS6121210SP		SCREW 3/16-28 L=12						4	
5		25251109		NOISE-PROOF RUBBER						1	
6		25226309		PLATE HOLDING STUD						1	
7	D	25249103		THROAT PLATE R						1	
8		25234600		TABLE COVER						1	
9	D	16704520		SLIDING PLATE GUIDE B						1	
10		25152109		SCREW						2	
11		25251604		BOLT						4	
12		16704322		SLIDE PLATE						1	
13		25152109		SCREW						1	
14		B1109481000		SPRING						1	
15		SS6060220SP		SCREW 3/32-56 L=2.0						2	
16	D	16877417		SLIDING PLATE BASE						1	
17		25215401		LOWER FRAME						1	
18		NM6060003SC		NUT M6						1	
19		16629503		BUSHING						2	
20		NM6030003SC		NUT M3						2	
21		SM8030802TP		SCREW M3X0.5 L=8						2	
22		16652315		LEVER						1	
23		16652216		HOLDER						1	
24		16713604		BALL PLUNGER						1	
25		16800104		HOLDER						1	
26		SS4090515SP		SCREW 9/64-40 L=5						1	
27		WP0841601SC		WASHER 8.4X17.4X1.6						2	
28		SM6050802TP		SCREW M5X0.8 L=8						2	
29		16879108		HOLDER COVER						1	
30		SS4090815SP		SCREW 9/64-40 L=8						4	

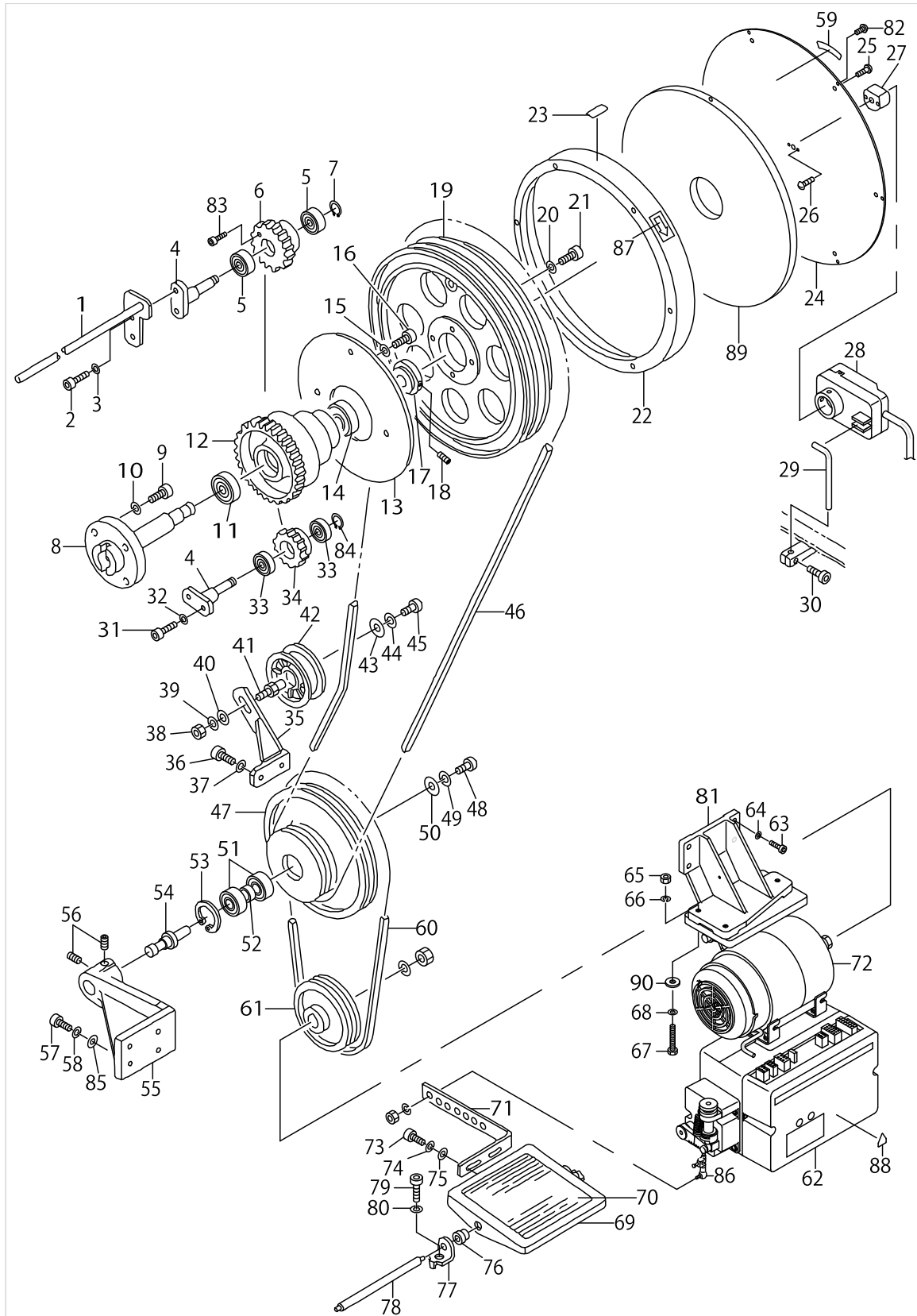
HANDLE & MOTOR COMPONENTS



HANDLE & MOTOR COMPONENTS

No.	Supply Code	Parts No.	Replacement	Parts name	Remarks	Choice	Step	Level	Cons	Qty	Rep. QTY
1		16679508		INSTALLING BASE						1	
2		SM6052502TP		SCREW M5X0.8 L=25						2	
3		WS0510002KN		SPRING WASHER						2	
4		16625402		GEAR PIN 1						2	
5		SB112000200		BEARING						2	
6		16625501		FLAT GEAR G						1	
7		RC1200001KP		C-SHAPED SNAP RING						1	
8		25215500		CENTER SHAFT						1	
9		SM6082502TP		SCREW M8 L=25						4	
10		WS0820002KN		SPRING WASHER M8						4	
11		B1210761000		BALL BEARING						1	
12		16624603		CENTER GEAR						1	
13		16876906		LEFT LOOPER CAM						1	
14		SB120000200		BEARING 20X42						1	
15		WS0510002KN		SPRING WASHER						2	
16		SM6051202TP		SCREW M5X0.8 L=12						2	
17		16624900		BEARING PRESSER						1	
18		SM8060802TP		SCREW M6 L=8						2	
19		25217803		CAM WHEEL						1	
20		WS0820002KN		SPRING WASHER M8						4	
21		SM6083002TP		SCREW M8 L=30						4	
22		16625105		HANDLE						1	
23	D	16879504		REFLECTION SEAT						1	
24	D	16625006		HANDLE COVER						1	
25		SM1040601SP		SCREW M4X0.7 L=6						6	
26		25151705		SCREW						1	
27		16625204		ADAPTER						1	
28	D	MSCM80000A0		SYNCHRONIZERASM.						1	
29		16625303		FIXED ROD						1	
30		SM6041202TP		SCREW M4X0.7 L=12						1	
31		SM6052002TP		SCREW M5 L=20						2	
32		WS0510002KN		SPRING WASHER						2	
33	R	18347708	G1812870000	BEARING						2	1.00
34	D	16626111		FLAT GEAR E						1	
35		16645202		IDLER BRACKET						1	
36		SM6062002TP		SCREW M6 L=20						2	
37		WS0610002KN		SPRING WASHER 6.1X12.2X1.5						2	
38		NM6080003SC		NUT M8						1	
39		WS0820002KN		SPRING WASHER M8						1	
40		WP0841601SC		WASHER 8.4X17.4X1.6						1	
41		16645301		IDLER SHAFT						1	
42		16715401		IDLER PULLEY						1	
43		16645400		WASHER						1	
44		WS0510002KN		SPRING WASHER						1	
45		SM6051202TP		SCREW M5X0.8 L=12						1	
46		16715005		WEDGE BELT						1	

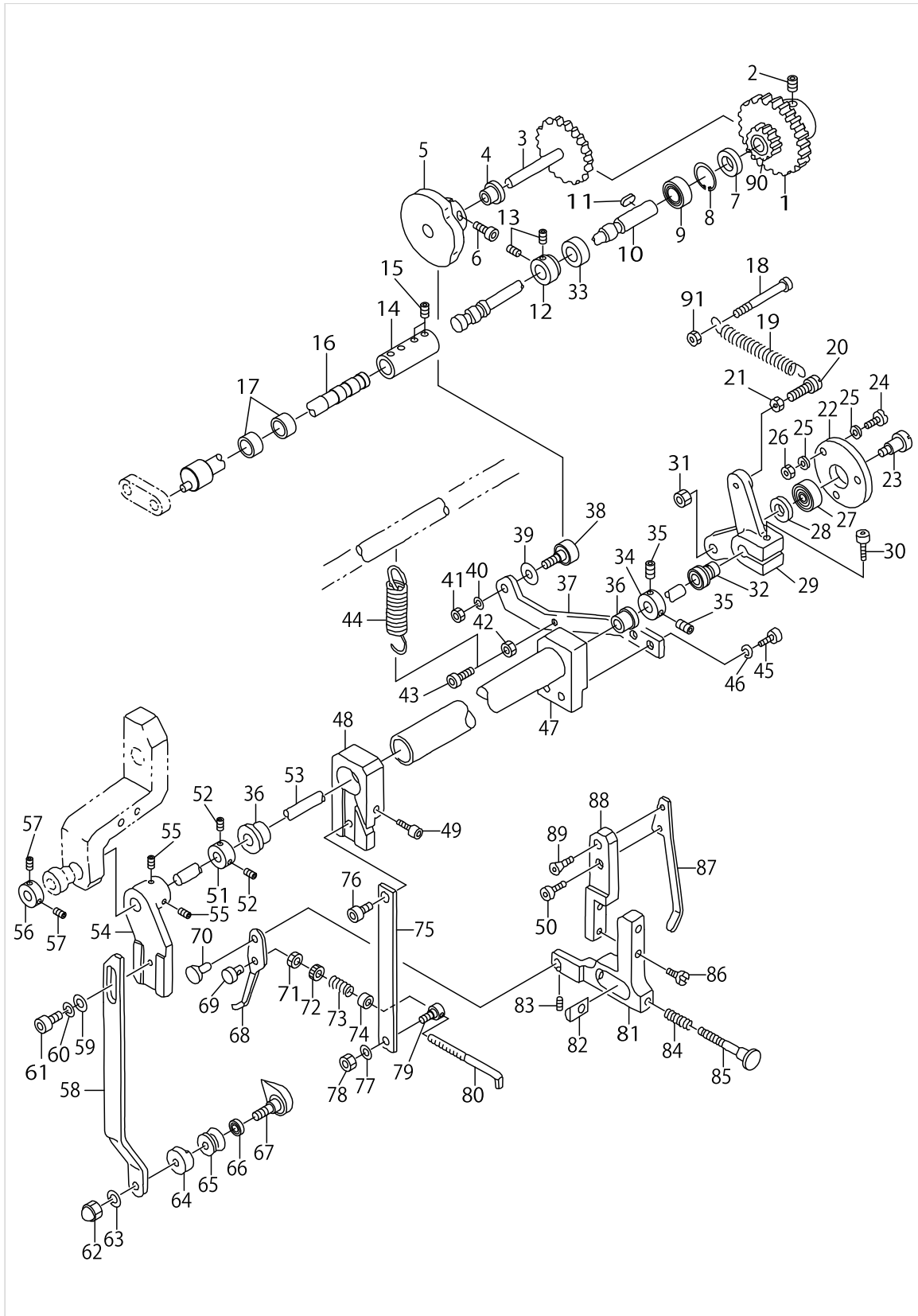
HANDLE & MOTOR COMPONENTS



HANDLE & MOTOR COMPONENTS

No.	Supply Code	Parts No.	Replacement	Parts name	Remarks	Choice	Step	Level	Cons	Qty	Rep. QTY
47		16644908		PULLEY, INTERMEDIATE						1	
48	R	SM6061552TP	SM6061552SP	SCREW M6 L=15						1	1.00
49		WS0610002KN		SPRING WASHER 6.1X12.2X1.5						1	
50		16645103		WASHER						1	
51		16710709		BEARING						2	
52		16645004		BEARING COLLAR						1	
53	D	RC3700002KP		RETAINING RING 37						1	
54		16644809		PULLEY SHAFT						1	
55		16644700		BRACKET						1	
56		SM8060802TP		SCREW M6 L=8						2	
57		SM6062502TP		SCREW M6 L=25						4	
58		WS0610002KN		SPRING WASHER 6.1X12.2X1.5						4	
59		B1144210000		REVOLVING DIRECTION LABEL						1	
60		25254004		WEDGE BELT						1	
61	D	MTSP01100B0		MOTOR PULLEY ASM. P.C.D 110						1	
62	D	MSCM2012DA0		SC380 COMPLETED CE1 WHOLE 230V						1	
63		SM6082502TP		SCREW M8 L=25						4	
64		WS0820002KN		SPRING WASHER M8						4	
65		NM6080001SC		NUT M8X1.25						3	
66		WS0820002KN		SPRING WASHER M8						3	
67		SM9085013SC		SCREW M8 L=50						3	
68		WP0841601SC		WASHER 8.4X17.4X1.6						3	
69		11158805		PEDAL						1	
70		11158904		PEDAL MAT						1	
71	D	25238908		PEDAL ADJUSTING PLATE						1	
72		MSCM6010AA0		MOTOR COMPLETED 200-240VCE						1	
73	R	SM6061552TP	SM6061552SP	SCREW M6 L=15						2	1.00
74		WS0610002KN		SPRING WASHER 6.1X12.2X1.5						2	
75		WP0641601SC		WASHER						2	
76		D8113555B00		PEDAL BUSHING						2	
77		11159001		PEDAL SHAFT BRACKET						2	
78		D8115555B00		PEDAL SHAFT						1	
79		SM6081552TP		SCREW M8 L=15						2	
80		WS0820002KN		SPRING WASHER M8						2	
81		16644601		MOTOR BASE						1	
82		SS3090810SL		SCREW 9/64-40 L=8						6	
83		SM6042002TP		SCREW M4X0.7 L=20						4	
84		RC1200001KP		C-SHAPED SNAP RING						1	
85		WP0641601SC		WASHER						4	
86		16678609		PITMAN ROD						1	
87		CM500300001		DIRECTION LABEL						1	
88		CM3002000A1		CAUTION LABEL(16)						1	
89		25250705		NOISE-PROOF RUBBER						1	
90		D6056555B00		RUBBERCUSHION(B)						3	

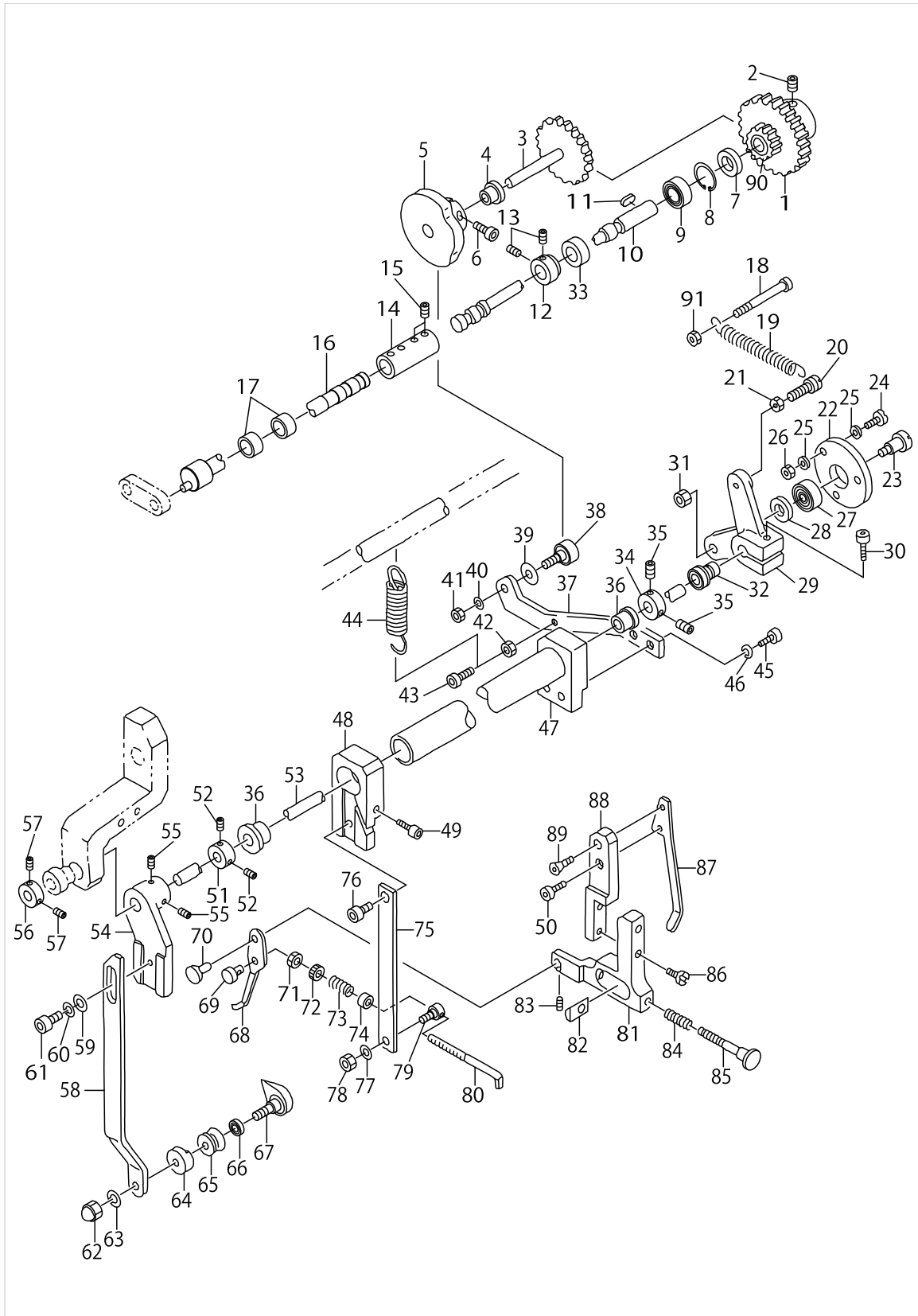
LEET,RIGHT LOOPER COMPONENTS



LEET,RIGHT LOOPER COMPONENTS

No.	Supply Code	Parts No.	Replacement	Parts name	Remarks	Choice	Step	Level	Cons	Qty	Rep. QTY
1		16625709		FLAT GEAR H						1	
2		SM8050812TP		SCREW M5X8						2	
3		16625808		FLAT GEAR J						1	
4		25242603		BUSHING						1	
5		16878001		RIGHT LOOPER CAM (3MM)						1	
6		SM6041502TP		SCREW M4X0.7 L=15						1	
7		25242801		COLLAR,B						1	
8	D	25253204		SNAP RING						1	
9		16720005		BEARING						1	
10		16665101		SHAFT						1	
11		16714503		KEY						1	
12		16711301		COLLAR						1	
13		SM8050602TP		SCREW M5 L=6						2	
14		16665002		SHAFT JOINTING						1	
15		SM8050502TP		SCREW M5 L=5						4	
16		25161100		SHAFT 5MM						1	
17		25253303		NEEDLE BEARING						2	
18		SM6086002TP		SCREW						1	
19	D	16627515		SPRING						1	
20	D	16699605		SPRINGSUSPENSION						1	
21		NM6060001SC		NUT M6						1	
22		16627804		ROLLER						1	
23		25243908		ROLLER PIN						1	
24		SS6121210SP		SCREW 3/16-28 L=12						3	
25		16627903		WASHER						6	
26		NS6120310SP		NUT 3/16-28						3	
27		16710303		BEARING						1	
28		16627606		COLLAR						1	
29		25216508		ROLLER LEVER						1	
30		SM6062002TP		SCREW M6 L=20						1	
31		NM6060001SC		NUT M6						1	
32		25254608		BEARING						1	
33		25242702		COLLAR,A						1	
34	D	16711608		COLLAR						1	
35		SM8040502TP		SCREW M4X0.7 L=5						2	
36		16630303		BUSHING						2	
37		16630709		LEVER						1	
38		16713208		CAM FOLLOWER						1	
39		16630808		WASHER						1	
40		WS0510002KN		SPRING WASHER						1	
41		NM6050001SC		NUT M5						1	
42		NM6040001SC		NUT M4						1	
43		SM6041502TP		SCREW M4X0.7 L=15						1	
44		16630907		SPRING						1	
45		SM6041502TP		SCREW M4X0.7 L=15						2	
46		WS0410002KN		SPRING WASHER						2	

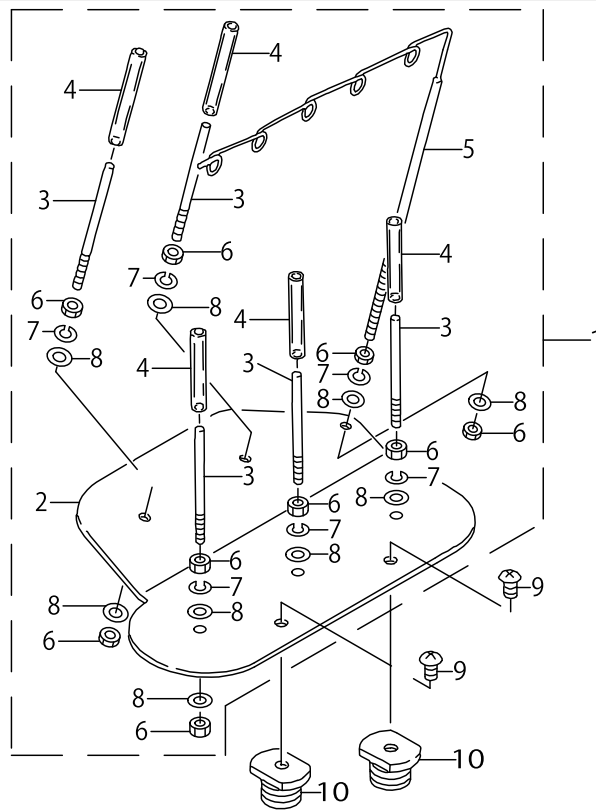
LEET,RIGHT LOOPER COMPONENTS



LEET,RIGHT LOOPER COMPONENTS

No.	Supply Code	Parts No.	Replacement	Parts name	Remarks	Choice	Step	Level	Cons	Qty	Rep. QTY
47		25217506		LONG COLLAR						1	
48		16631004		HOLDER						1	
49		SM6052502TP		SCREW M5X0.8 L=25						1	
50		SM6041002TP		SCREW M4 L=10						1	
51	D	16711608		COLLAR						1	
52		SM8040502TP		SCREW M4X0.7 L=5						2	
53		25217407		LEFT LOOPER SHAFT						1	
54		16629701		LEVER HOLDER						1	
55		SS8660612TP		SCREW 1/4-40 L=6						2	
56		16630204		SET COLLAR						1	
57		SM8040502TP		SCREW M4X0.7 L=5						2	
58	D	16629800		LOOPER ARM						1	
59		WP0430801SC		WASHER 4.3X9X0.8						1	
60		WS0410002KN		SPRING WASHER						1	
61		SM6041002TP		SCREW M4 L=10						1	
62		NM7030510SA		NUT M3						1	
63		WS0310002KN		SPRING WASHER M3						1	
64		25217308		LOOPER HOLDING DISH						1	
65		25217209		LOOPER ROLLER						1	
66	D	25254202		BEARING						1	
67	D	25217100		LEFT LOOPER						1	
68		16631814		RIGHT LOOPER						1	
69		16631707		PIN 2						1	
70		16632010		PIN						1	
71		NM6030001SC		NUT M3						1	
72		16631509		NUT						1	
73		16631400		TENSION SPRING						1	
74		16631608		COLLAR						1	
75		16631111		LEVER						1	
76		SM6040502TP		SCREW M4X0.7 L=5						1	
77		WP0430801SE		WASHER 4.3X9X0.8						1	
78		NM6040001SD		NUT M4						1	
79		16631202		PIN 1						1	
80		16631301		RIGHT LOOPER PIN						1	
81		16631939		BRACKET						1	
82		16632200		ADJUSTING NUT						1	
83		SM8030302TP		SCREW M3X0.5 L=3						1	
84		16632309		SPRING						1	
85		16632119		ADJUSTING SCREW						1	
86		SS6081210SP		SCREW 1/8-44 L=12						2	
87		16632408		PRESSER SPRING						1	
88		16877508		MOUNTING BASE						1	
89		16717001		SCREW						1	
90		16625600		FLAT GEAR I						1	
91		NM6080001SC		NUT M8X1.25						1	

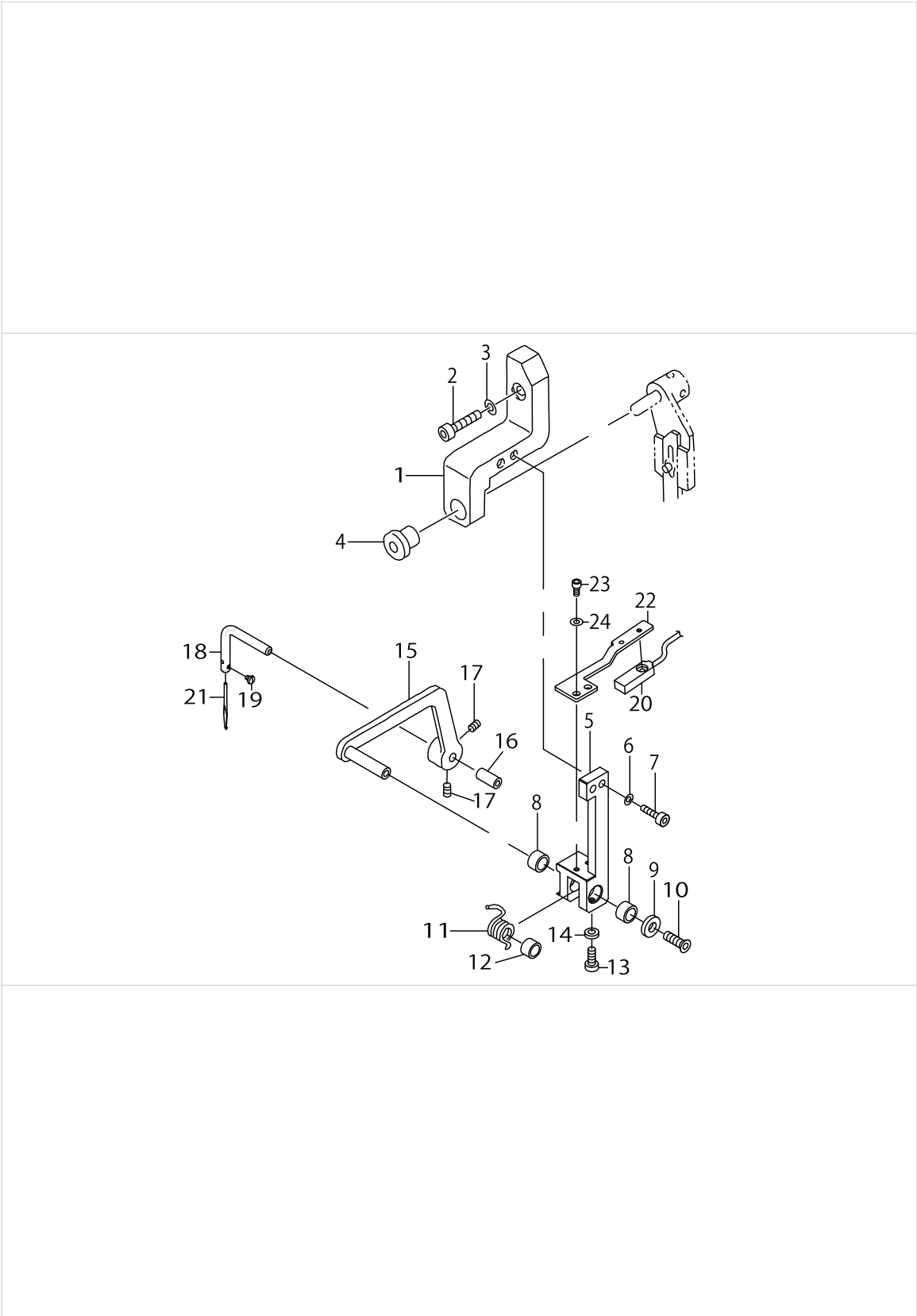
THREAD STAND COMPONENTS



THREAD STAND COMPONENTS

No.	Supply Code	Parts No.	Replacement	Parts name	Remarks	Choice	Step	Level	Cons	Qty	Rep. QTY
1		25238551		THREAD REISING ASM.						1	
2		25238502		THREAD RAISING BASE				*		1	
3		25238700		THREAD RAISING ROD				*		5	
4		BT0600400EC		TUBE HOSE, BLUE				*		5	
5		25238601		THREAD GUIDE				*		1	
6		NM6040003SC		NUT M4				*		12	
7		WS0410002KN		SPRING WASHER				*		6	
8		WP0430801SC		WASHER 4.3X9X0.8				*		12	
9		25151903		SCREW						2	
10		25238809		NUT						2	

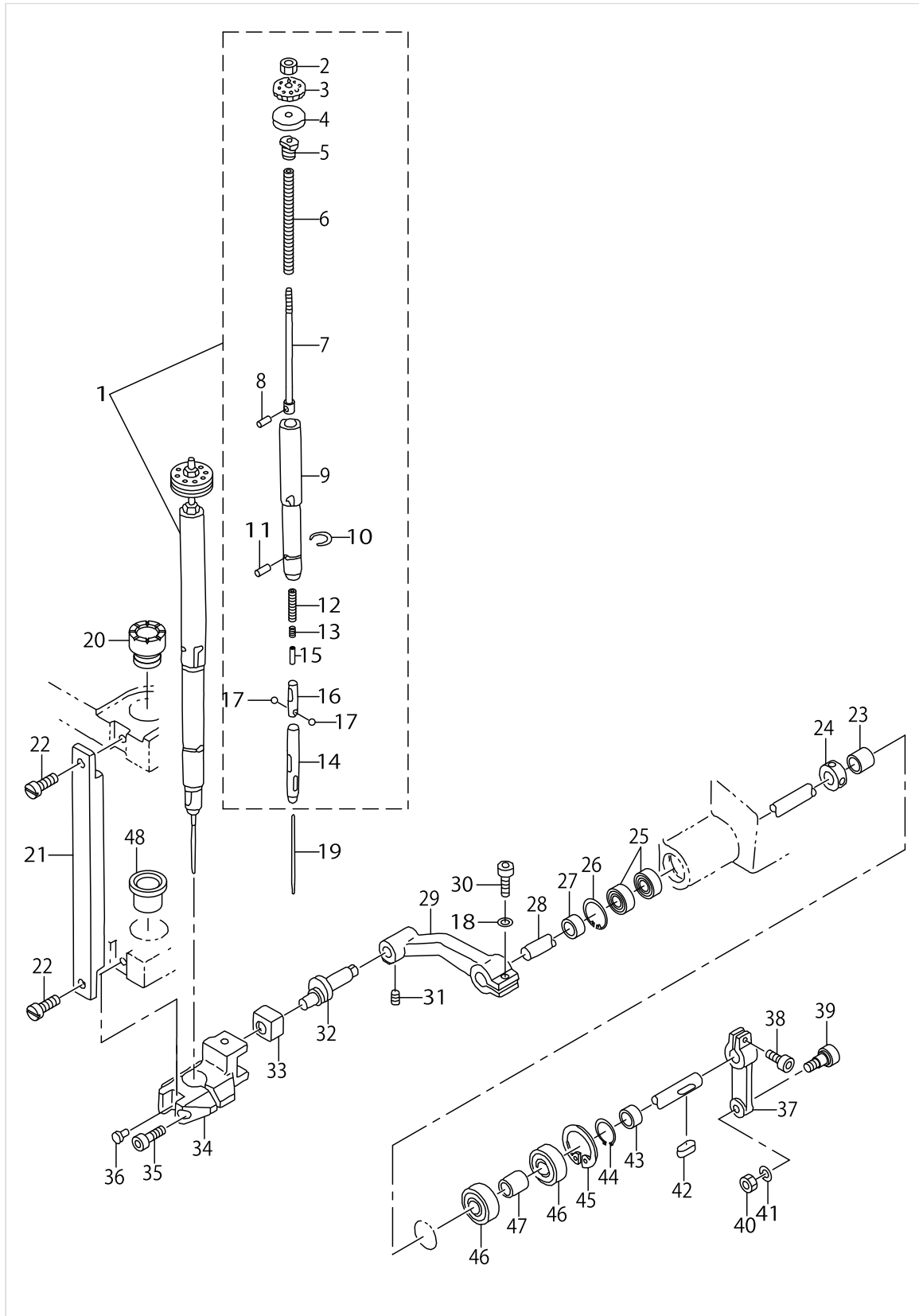
THREADING COMPONENTS



THREADING COMPONENTS

No.	Supply Code	Parts No.	Replacement	Parts name	Remarks	Choice	Step	Level	Cons	Qty	Rep. QTY
1		25219205		BRACKET						1	
2		SM6082502TP		SCREW M8 L=25						1	
3		WS0820002KN		SPRING WASHER M8						1	
4		16629503		BUSHING						1	
5		25218009		BRACKET						1	
6		WS0410002KN		SPRING WASHER						2	
7		SM6041502TP		SCREW M4X0.7 L=15						2	
8	D	16632606		BUSHING						2	
9		16633109		DISK WASHER						1	
10		25150004		SCREW						1	
11		16633000		SPRING						1	
12	D	16632903		GUIDE COLLAR						1	
13		SM6031002TP		HEXAGONAL BOLT M3 X 10						1	
14		NM6030001SC		NUT M3						1	
15		25218108		THREADING LEVER						1	
16		BT0600400EC		TUBE HOSE, BLUE						1	
17		16718405		SCREW						2	
18		16633216		NEEDLE FIXING PIN						1	
19		SS4060310SP		SCREW 3/32-56 L=2.5						1	
20		25212259		NS-6 CABLE ASM.						1	
21	D	16633406		THREADING NEEDLE						1	
22		25161803		THREADING SENSOR BRACKET						1	
23		SM6030602TP		SCREW M3X0.5 L=6						2	
24		WP0320501SC		WASHER M3						2	

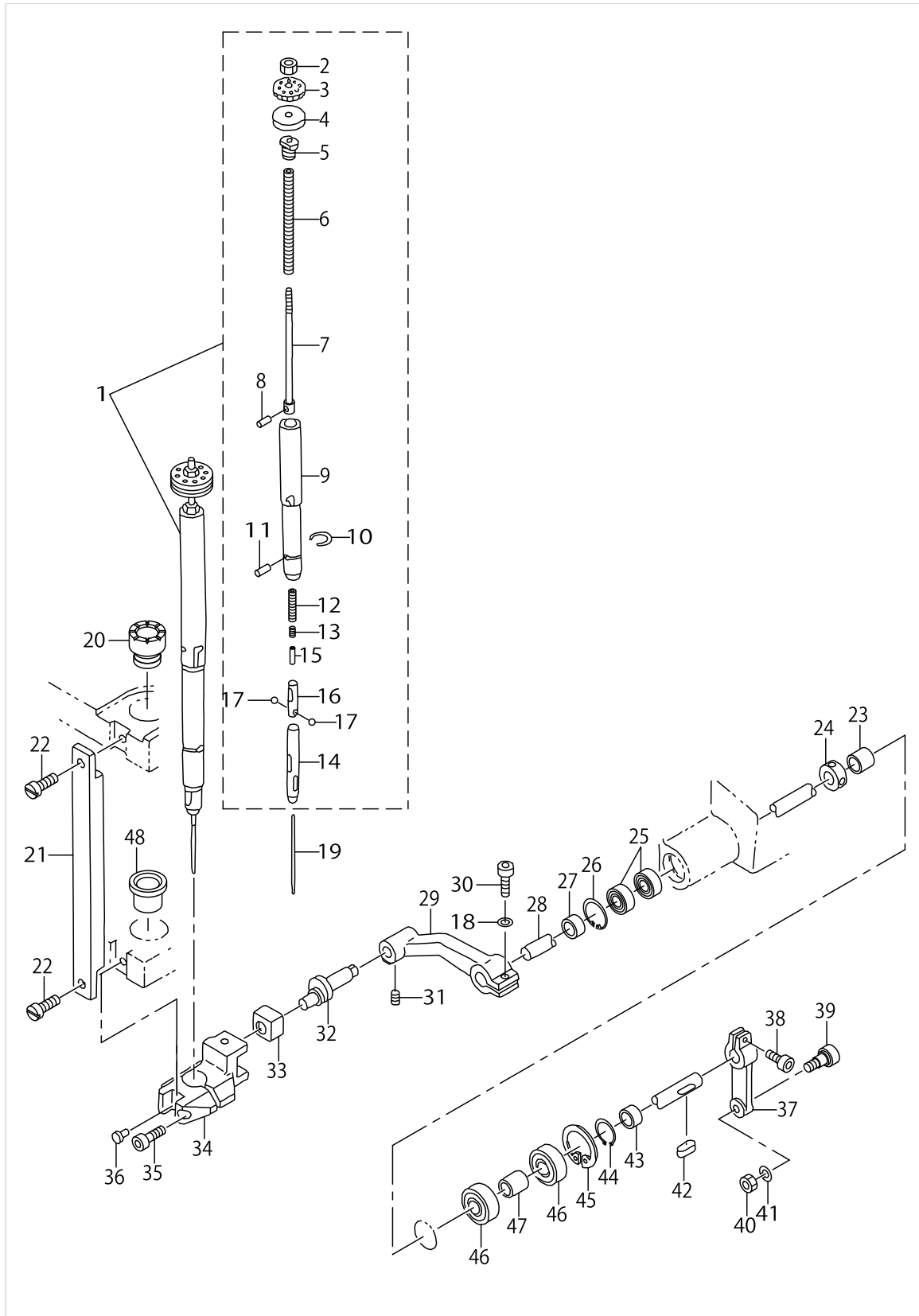
UPPER NEEDLE BAR COMPONENTS



UPPER NEEDLE BAR COMPONENTS

No.	Supply Code	Parts No.	Replacement	Parts name	Remarks	Choice	Step	Level	Cons	Qty	Rep. QTY
1	R	25249954	25249962	NEEDLEBARASM.#38						1	1.00
2		16680803		NUT				*		1	
3		16661803		NEEDLE BOLT				*		1	
4		16661704		RUBBER WASHER				*		1	
5		16661308		BOLT				*		1	
6		16661605		BAR SPRING				*		1	
7		16661506		SUPPORT SLEEVE ROD				*		1	
8		G5514340000		PIN				*		1	
9		16661209		SUPPORT CYLINDER				*		1	
10		G5513340000		RING				*		1	
11	D	G5512340000		STOP PIN				*		1	
12		G5507340000		LOCK SPRING				*		1	
13		G5506340000		STOP SPRING				*		1	
14		25249905		SUPPORT SLEEVE				*		1	
15	R	25250002	25250010	NEEDLE HOLDER PIN				*		1	1.00
16	D	G5503340000		STEEL BALL HOLDER				*		1	
17	D	G5542340000		STEEL BALL				*		2	
18		WP0621016SH		WASHER						1	
19		MDPN10A0000		NEEDLE DPN-1032B38						1	
20		16661902		BUSHING A						1	
21		16662108		STAY						1	
22		SS6090810SP		SCREW 9/64-40 L= 7.5						2	
23		25219106		COLLAR						1	
24		16711202		COLLAR						1	
25		SB115000400		RADIAL BEARING						2	
26	D	RC3200002KP		C RING						1	
27		25219007		COLLAR,6						1	
28		25218801		UPPER NEEDLE ROD SHAFT						1	
29	D	25218504		ARM,UPPER						1	
30		SM6062502TP		SCREW M6 L=25						1	
31		SM8060552TP		SCREW M6 L=5						1	
32	D	16633802		ECCENTRIC PIN, UPPER						1	
33	D	16633901		SLIDE BLOCK						1	
34	D	16661019		LIFTING BOSS (UPPER)						1	
35		SM6052002TP		SCREW M5 L=20						1	
36	D	25234006		PIN						1	
37		25218405		CAM FOLLOWER LEVER						1	
38		SM6063002TP		SCREW M6 L=30						1	
39	D	25254301		CAM FOLLOWER						1	
40		NM6080001SC		NUT M8X1.25						1	
41		WS0820002KN		SPRING WASHER M8						1	
42		25252008		KEY						1	
43		25218306		COLLAR,7						1	
44		RC0150001KP		RETAINING RING 13.8						1	
45		16718702		RETAINING RING						1	
46		16710006		BEARING						2	

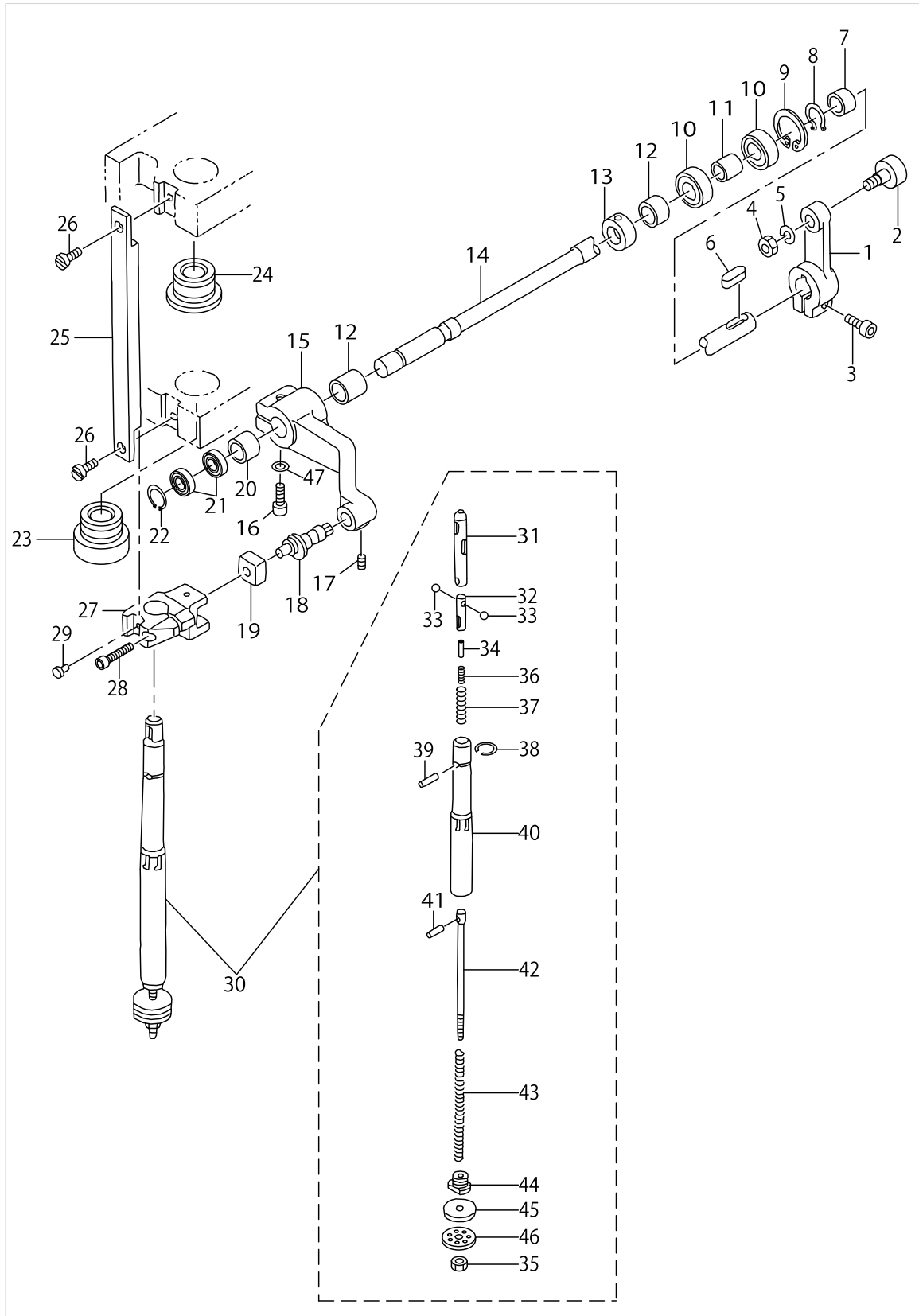
UPPER NEEDLE BAR COMPONENTS



UPPER NEEDLE BAR COMPONENTS

No.	Supply Code	Parts No.	Replacement	Parts name	Remarks	Choice	Step	Level	Cons	Qty	Rep. QTY
47		16629008		BEARING COLLAR						1	
48	D	16662009		BUSHING B						1	

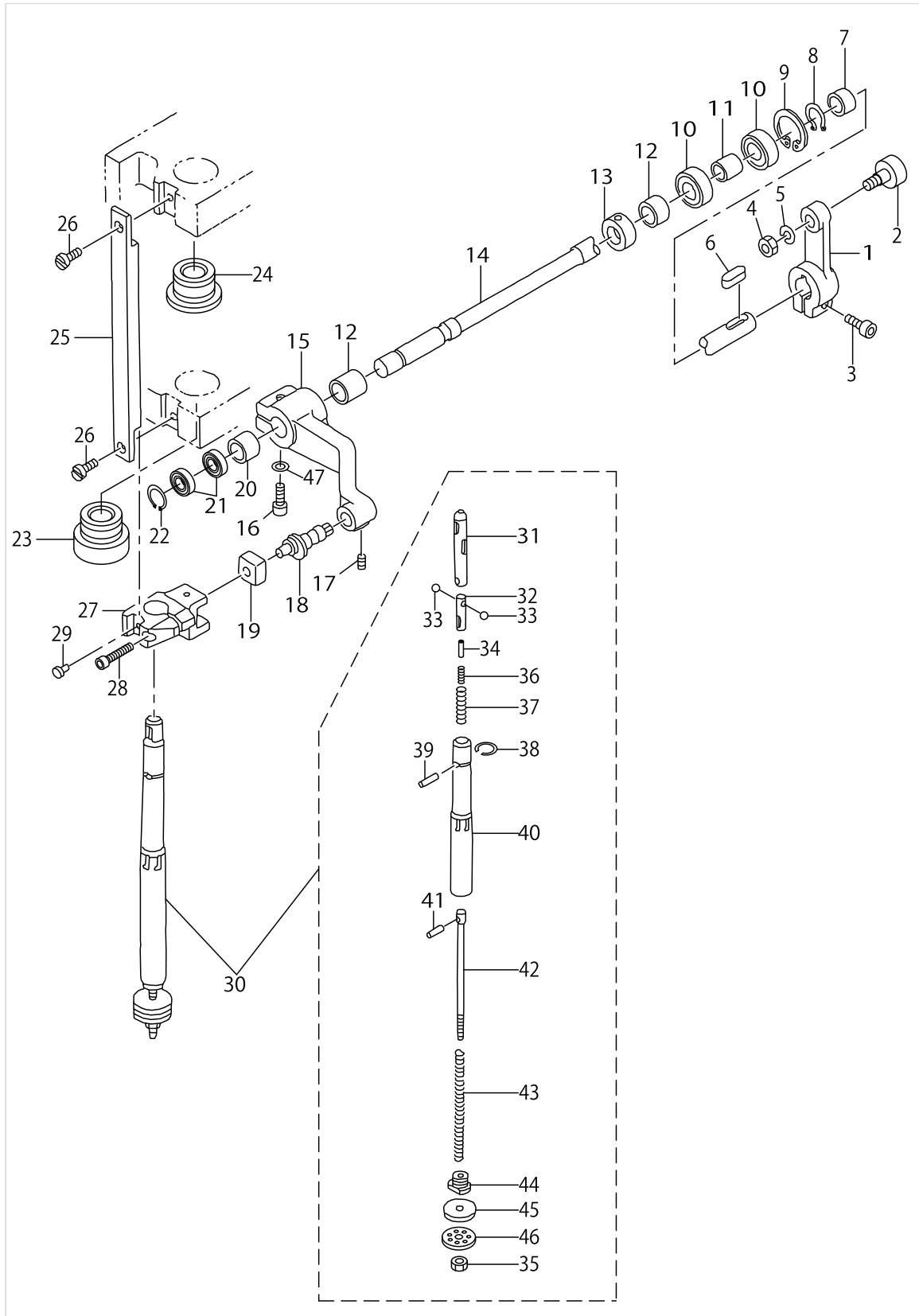
LOWER NEEDLE BAR COMPONENTS



LOWER NEEDLE BAR COMPONENTS

No.	Supply Code	Parts No.	Replacement	Parts name	Remarks	Choice	Step	Level	Cons	Qty	Rep. QTY
1		25218405		CAM FOLLOWER LEVER						1	
2	D	25254301		CAM FOLLOWER						1	
3		SM6063002TP		SCREW M6 L=30						1	
4		NM6080001SC		NUT M8X1.25						1	
5		WS0820002KN		SPRING WASHER M8						1	
6		25252008		KEY						1	
7		25218306		COLLAR,7						1	
8		RC0150001KP		RETAINING RING 13.8						1	
9		16718702		RETAINING RING						1	
10		16710006		BEARING						2	
11		16629008		BEARING COLLAR						1	
12		25219106		COLLAR						2	
13		16711202		COLLAR						1	
14		25218702		LOWER NEEDLE ROD SHAFT						1	
15	D	25218603		ARM,LOWER						1	
16		SM6062502TP		SCREW M6 L=25						1	
17		SM8060552TP		SCREW M6 L=5						1	
18	D	16635005		ECCENTRIC PIN, LOWER						1	
19	D	16633901		SLIDE BLOCK						1	
20		25219007		COLLAR,6						1	
21		SB115000400		RADIAL BEARING						2	
22	D	RC3200002KP		C RING						1	
23		16661902		BUSHING A						1	
24	D	16662009		BUSHING B						1	
25		16662108		STAY						1	
26		SS6090810SP		SCREW 9/64-40 L=7.5						2	
27	D	16661118		LIFTING BOSS (LOWER)						1	
28		SM6052002TP		SCREW M5 L=20						1	
29	D	25234006		PIN						1	
30	R	25249954	25249962	NEEDLE BAR ASM.#38						1	1.00
31		25249905		SUPPORT SLEEVE				*		1	
32	D	G5503340000		STEEL BALL HOLDER				*		1	
33	D	G5542340000		STEEL BALL				*		2	
34	R	25250002	25250010	NEEDLE HOLDER PIN				*		1	1.00
35		16680803		NUT				*		1	
36		G5506340000		STOP SPRING				*		1	
37		G5507340000		LOCK SPRING				*		1	
38		G5513340000		RING				*		1	
39	D	G5512340000		STOP PIN				*		1	
40		16661209		SUPPORT CYLINDER				*		1	
41		G5514340000		PIN				*		1	
42		16661506		SUPPORT SLEEVE ROD				*		1	
43		16661605		BAR SPRING				*		1	
44		16661308		BOLT				*		1	
45		16661704		RUBBER WASHER				*		1	
46		16661803		NEEDLE BOLT				*		1	

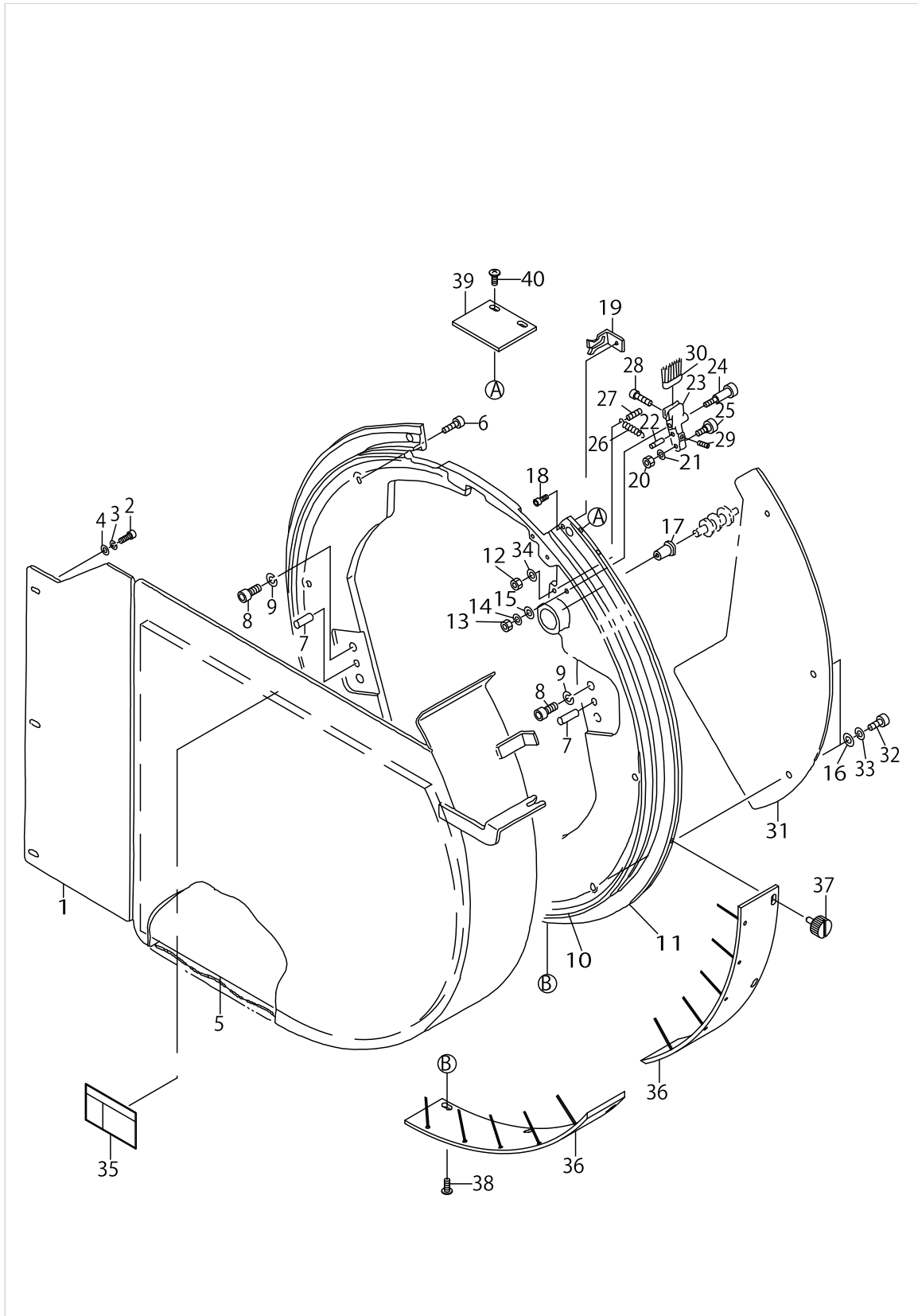
LOWER NEEDLE BAR COMPONENTS



LOWER NEEDLE BAR COMPONENTS

No.	Supply Code	Parts No.	Replacement	Parts name	Remarks	Choice	Step	Level	Cons	Qty	Rep. QTY
47		WP0621016SH		WASHER						1	

DRUM COMPONENTS



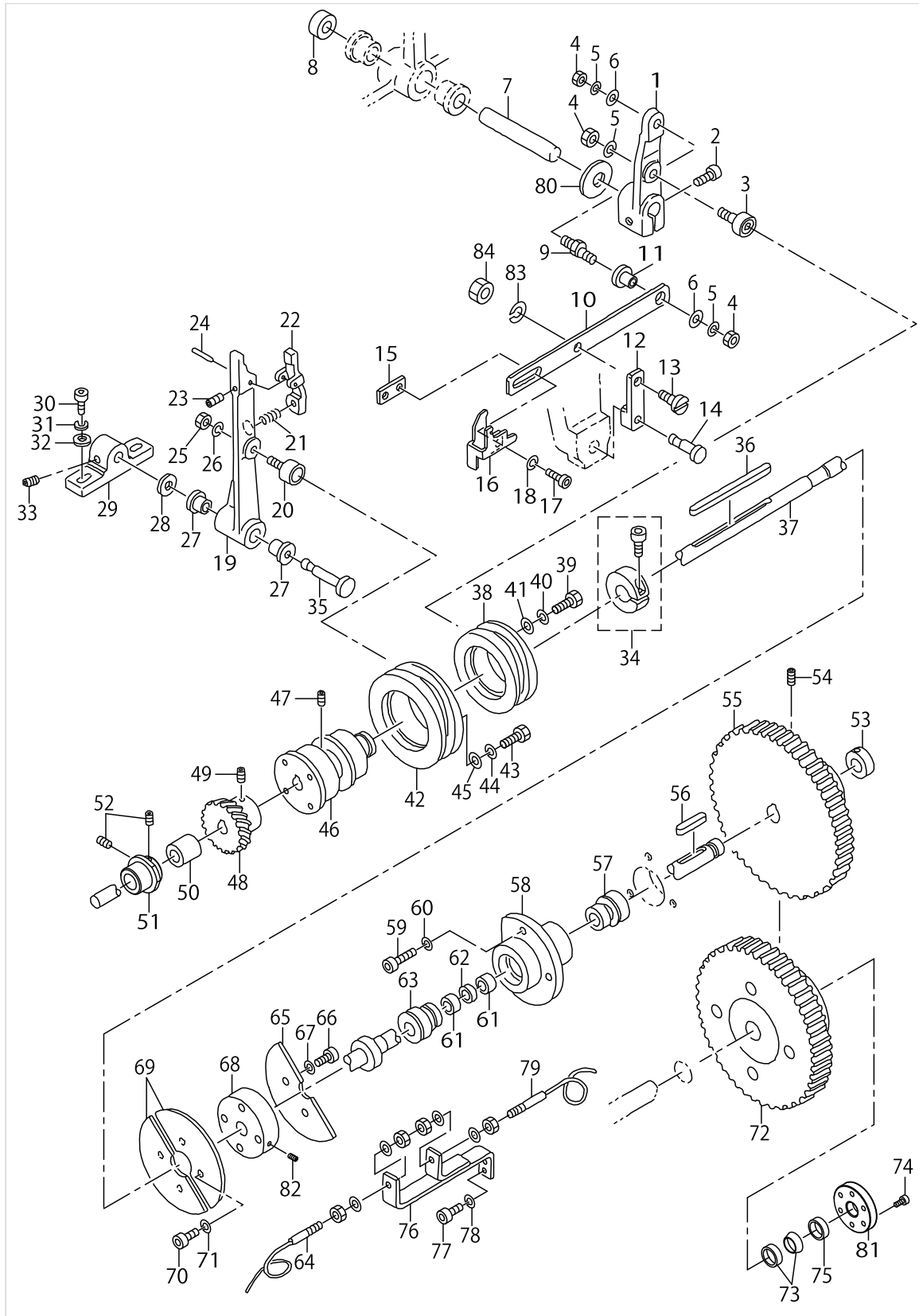
DRUM COMPONENTS

No.	Supply Code	Parts No.	Replacement	Parts name	Remarks	Choice	Step	Level	Cons	Qty	Rep. QTY
1		25165002		DRUM COVER,C						1	
2		SM6051202TP		SCREW M5X0.8 L=12						3	
3		WS0510002KN		SPRING WASHER						3	
4		WP0531001SC		WASHER						3	
5		25250903		NOISE-PROOF RUBBER						1	
6		SM6082502TP		SCREW M8 L=25						1	
7		16712507		PIN						2	
8		SM6083002TP		SCREW M8 L=30						4	
9		WS0820002KN		SPRING WASHER M8						4	
10		25219304		DRUM,INNER						1	
11	D	25250309		DRUM,OUTER						1	
12		NM6040001SC		NUT M4						1	
13		NM6050001SC		NUT M5						1	
14		WS0510002KN		SPRING WASHER						1	
15		WP0531001SC		WASHER						1	
16		WP0841601SC		WASHER 8.4X17.4X1.6						6	
17		16637308		BUSHING						1	
18		SM6030802TP		SCREW M3X0.5 L=8						1	
19	D	25220005		GUIDE BRACKET						1	
20		NM6050001SC		NUT M5						1	
21		WS0510002KN		SPRING WASHER						1	
22		16636706		ANCHOR						1	
23		25220609		BRUSH BRACKET,1						1	
24		25219700		PIN						1	
25		16713208		CAM FOLLOWER						1	
26		16878308		SPRING						1	
27		25239807		SPRING						1	
28		SM6031002TP		HEXAGONAL BOLT M3 X 10						2	
29		SM8030502TP		SCREW M3 L=5						1	
30		25241902		BRUSH						1	
31		25235102		DRUM COVER,B						1	
32		SM6083002TP		SCREW M8 L=30						6	
33		WS0820002KN		SPRING WASHER M8						6	
34		WP0430801SC		WASHER 4.3X9X0.8						1	
35		CM300200202		SAFETY LABEL 2 (LARGE)						1	
36	D	25240102		BRUSH						6	
37		25251406		SCREW						3	
38		SM0041001SC		SCREW M4 L=10						15	
39		25240003		PLATE						1	
40		SM0041001SC		SCREW M4 L=10						2	

CYLINDRICAL CAM SHAFT COMPONENTS

No.	Supply Code	Parts No.	Replacement	Parts name	Remarks	Choice	Step	Level	Cons	Qty	Rep. QTY
1		25244708		THREAD HAUL ARM						1	
2		SM6062002TP		SCREW M6 L=20						1	
3		25254509		CAM FOLLOWER						1	
4		NM6050001SC		NUT M5						3	
5		WS0510002KN		SPRING WASHER						3	
6		WP0531001SC		WASHER						2	
7		25244609		HAUL ARM PIN						1	
8	D	16711608		COLLAR						1	
9		25244302		THREAD HAUL CONNECTING PIN						1	
10		25244104		THREAD HAUL FITTING PLATE						1	
11	D	25244203		THREAD HAUL BUSHING						1	
12	D	25244500		LINK						1	
13	D	G5528340000A		LEVER STRUT						1	
14		25240508		LINK PIN,1						1	
15		16652117		HOLDING PLATE						1	
16	D	25230301		THREAD HAUL						1	
17		SM6030602TP		SCREW M3X0.5 L=6						1	
18		WS0310002KN		SPRING WASHER M3						1	
19		25221409		SWITCH-TYPELEVER						1	
20		25252909		CAM FOLLOWER						1	
21	D	25253907		SPRING						1	
22		25221508		SLIDE BLOCK PRESSER LEVER						1	
23		SM8040802TP		SCREW M4X8						1	
24	D	25253808		PARALLEL PIN						1	
25		NM6060001SC		NUT M6						1	
26		WS0610002KN		SPRING WASHER 6.1X12.2X1.5						1	
27		16629503		BUSHING						2	
28		16710600		THRUST WASHER						1	
29		25221607		FULCRUM BASIS						1	
30		SM6062502TP		SCREW M6 L=25						2	
31		WS0610002KN		SPRING WASHER 6.1X12.2X1.5						2	
32		WP0641601SC		WASHER						2	
33		SM8060602TP		SCREW M6X6						1	
34		16711400		SLIT COLLAR						1	
35		16641508		PIVOT PIN						1	
36		16714206		KEY						1	
37		25220104		SHAFT						1	
38		25250606		THREAD HAUL CAM						1	
39		SM9051603SD		BOLT M5X0.8 L=16						4	
40		WS0510002KN		SPRING WASHER						4	
41		16638108		WASHER						4	
42		16637902		CYLINDER CAM						1	
43		SM9051603SD		BOLT M5X0.8 L=16						4	
44		WS0510002KN		SPRING WASHER						4	
45		16638108		WASHER						4	
46		16637803		BOSS						1	

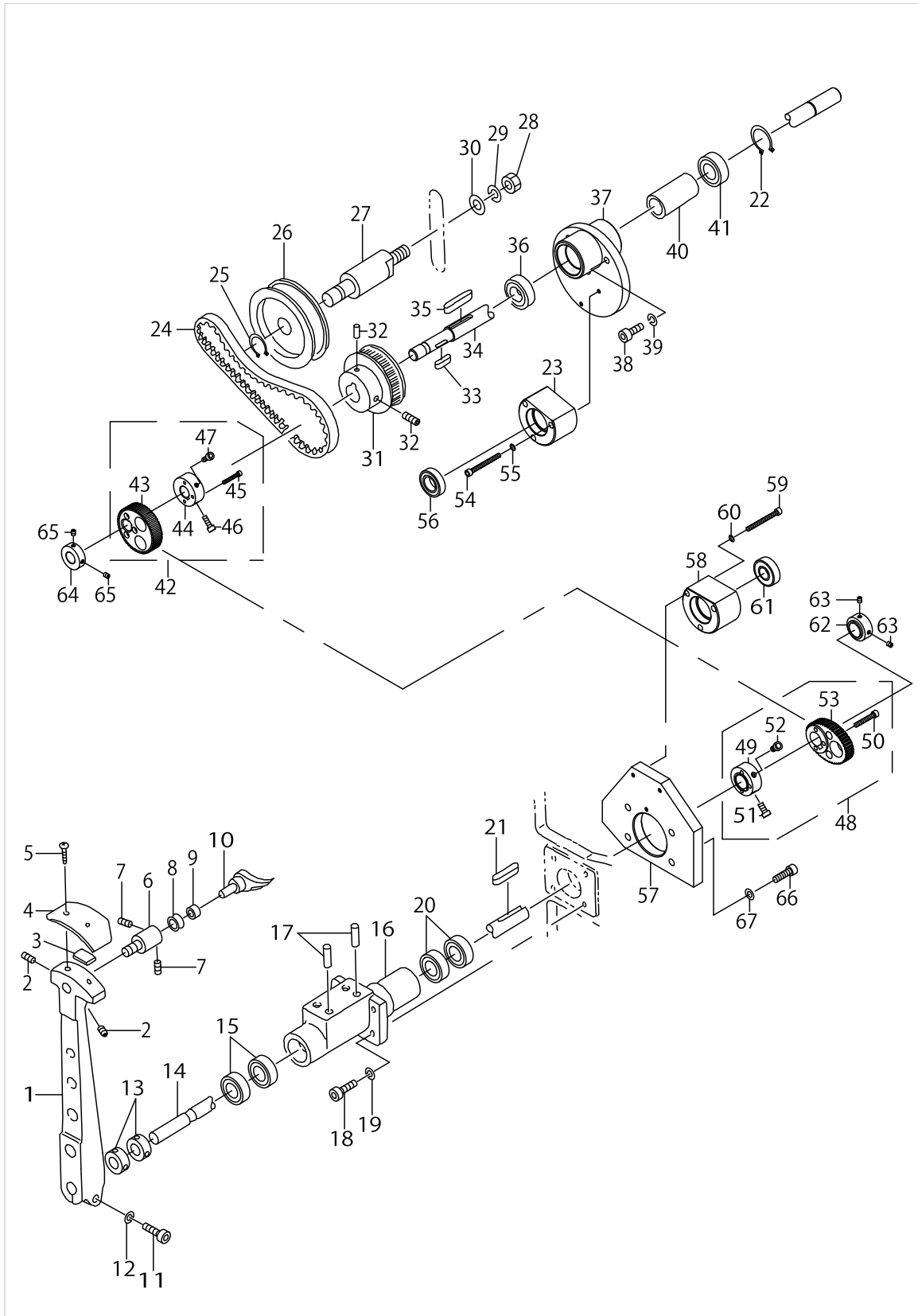
CYLINDRICAL CAM SHAFT COMPONENTS



CYLINDRICAL CAM SHAFT COMPONENTS

No.	Supply Code	Parts No.	Replacement	Parts name	Remarks	Choice	Step	Level	Cons	Qty	Rep. QTY
47		SS8660612TP		SCREW 1/4-40 L=6						1	
48	D	16637704		GEAR 2						1	
49		SM8050602TP		SCREW M5 L=6						1	
50		16795007		POSITIONING COLLAR						1	
51		25249707		CAM						1	
52		SM8050602TP		SCREW M5 L=6						2	
53		16711301		COLLAR						1	
54		SM8050602TP		SCREW M5 L=6						1	
55		16626400		FLAT GEAR D						1	
56		16714305		KEY						1	
57		16710204		NEEDLE BEARING						1	
58		16626202		BEARING CASE						1	
59		SM6051802TP		SCREW M5 L=18						3	
60		WS0510002KN		SPRING WASHER						3	
61		16710907		COLLAR						2	
62		16711004		COLLAR						1	
63		16710204		NEEDLE BEARING						1	
64		25210550		NS-2 CABLE ASM.						1	
65		16638405		INSTRUCTIONS PLATE 2						1	
66		SM6040802TP		SCREW M4X0.7 L=8						2	
67		WS0410002KN		SPRING WASHER						2	
68		16638306		INSTRUCTIONS DRUM						1	
69		16638207		INSTRUCTIONS PLATE 1						2	
70		SM6040802TP		SCREW M4X0.7 L=8						4	
71		WS0410002KN		SPRING WASHER						4	
72		25249855		72T GEAR ASM.						1	
73		25251505		POWER LOCK						2	
74		SM6042002TP		SCREW M4X0.7 L=20						6	
75		25250408		SLEEVE						1	
76		16629107		SENSOR BRACKET						1	
77		SM6051552TP		SCREW M5 L=15						2	
78		WS0510002KN		SPRING WASHER						2	
79		25210451		NS-1 CABLE ASM.						1	
80		16710600		THRUST WASHER						1	
81		25250507		FRANGE						1	
82		SM8040802TP		SCREW M4X8						2	
83		WS0510002KN		SPRING WASHER						1	
84		NM6050003SC		NUT M5X0.8						1	

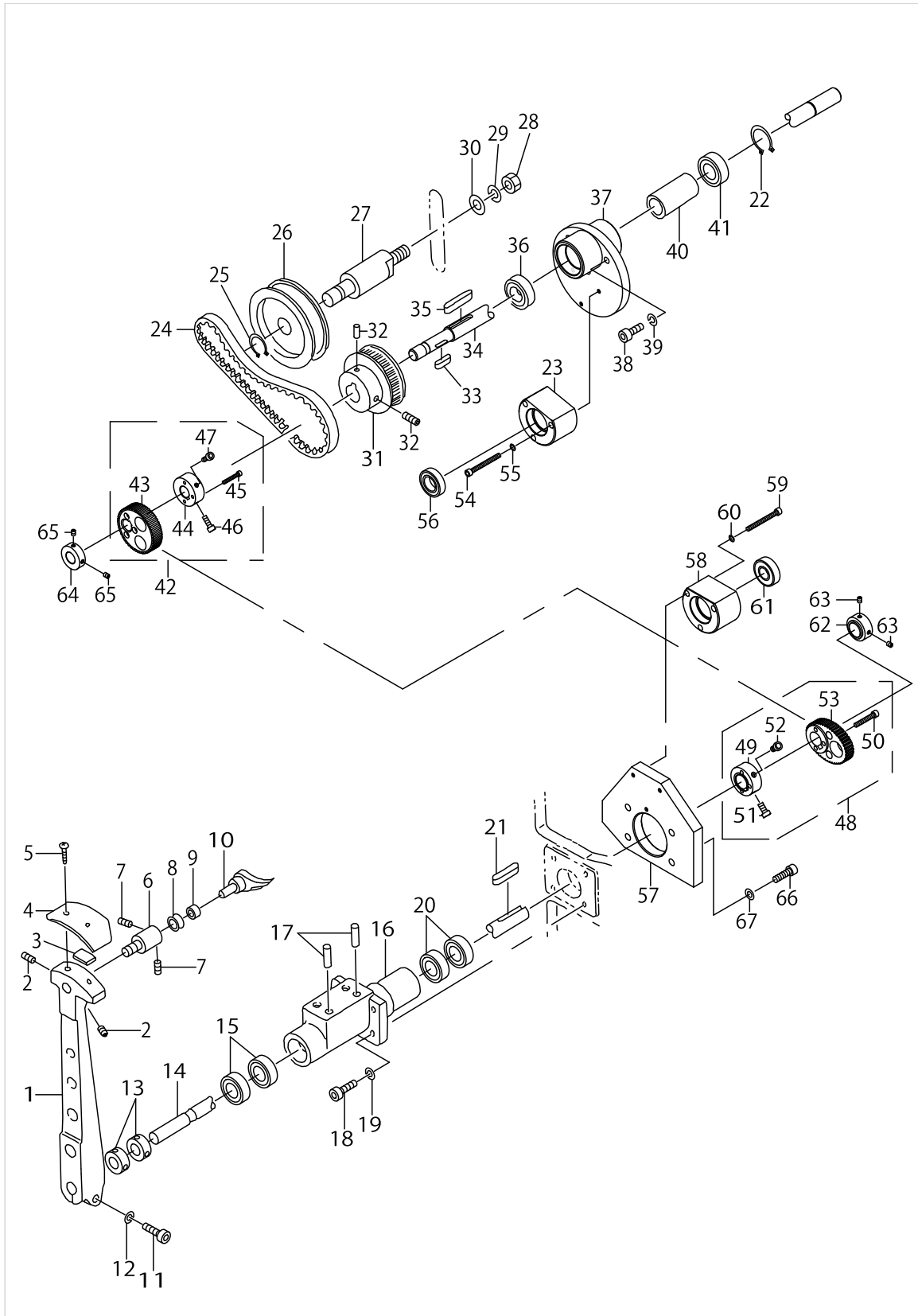
LOWER LOOPER COMPONENTS



LOWER LOOPER COMPONENTS

No.	Supply Code	Parts No.	Replacement	Parts name	Remarks	Choice	Step	Level	Cons	Qty	Rep. QTY
1		25221102		LOWER LOOPER ARM						1	
2		SM8050812TP		SCREW M5X8						2	
3		16811705		SPACER						1	
4		16639106		GUIDE PLATE						1	
5		SM0040601SC		SCREW M4X0.7 L=6						2	
6		25242009		ECCENTRIC PIN						1	
7		SM8040502TP		SCREW M4X0.7 L=5						2	
8	D	25242108		LOWER LOOPER ROLLER						1	
9	D	16710501		BEARING						1	
10	D	16639403		LOWER LOOPER						1	
11		SM6083002TP		SCREW M8 L=30						1	
12		WP0841601SC		WASHER 8.4X17.4X1.6						1	
13		16711202		COLLAR						2	
14		25381005		LOWER LOOPER SHAFT						1	
15		SB115000400		RADIAL BEARING						2	
16		25221201		BEARING CASE						1	
17		16712507		PIN						2	
18		SM6063002TP		SCREW M6 L=30						4	
19		WS0610002KN		SPRING WASHER 6.1X12.2X1.5						4	
20		SB115000400		RADIAL BEARING						2	
21		25251901		KEY						1	
22		RC0150001KP		RETAINING RING 13.8						1	
23		25160409		SHAFTHOLDERCASE						1	
24	D	25254707		TIMING BELT						1	
25		RC1200001KP		C-SHAPED SNAP RING						1	
26	D	25254905		IDLER PULLEY						1	
27		25215708		IDLER SHAFT						1	
28		NM6080001SC		NUT M8X1.25						1	
29		WS0820002KN		SPRING WASHER M8						1	
30		WP0841601SC		WASHER 8.4X17.4X1.6						1	
31		25216417		TIMING PULLEY,2						1	
32		SM8050802TP		SCREW M5X0.8 L=8						2	
33		25252107		KEY						1	
34		25160805		GEAR SHAFT(A)						1	
35		25252206		KEY						1	
36		SB115000400		RADIAL BEARING						1	
37		25160300		BEARING CASE						1	
38		SM6051802TP		SCREW M5 L=18						3	
39		WS0510002KN		SPRING WASHER						3	
40		25215807		BEARING COLLAR						1	
41		SB115000400		RADIAL BEARING						1	
42	R	25247651	25166307	ELLIPSE GEARA ASM.		A				1	1.00
42	R	25247651	SM8080882TP	ELLIPSE GEARA ASM.		A				1	2.00
43	R	25247602	25166307	ELLIPSE GEAR(A)					*	1	1.00
44		25247701		ELLIPSE GEAR BOSS(A)					*	1	
45		SM6032002TP		SCREW M3X0.5 L=20					*	3	

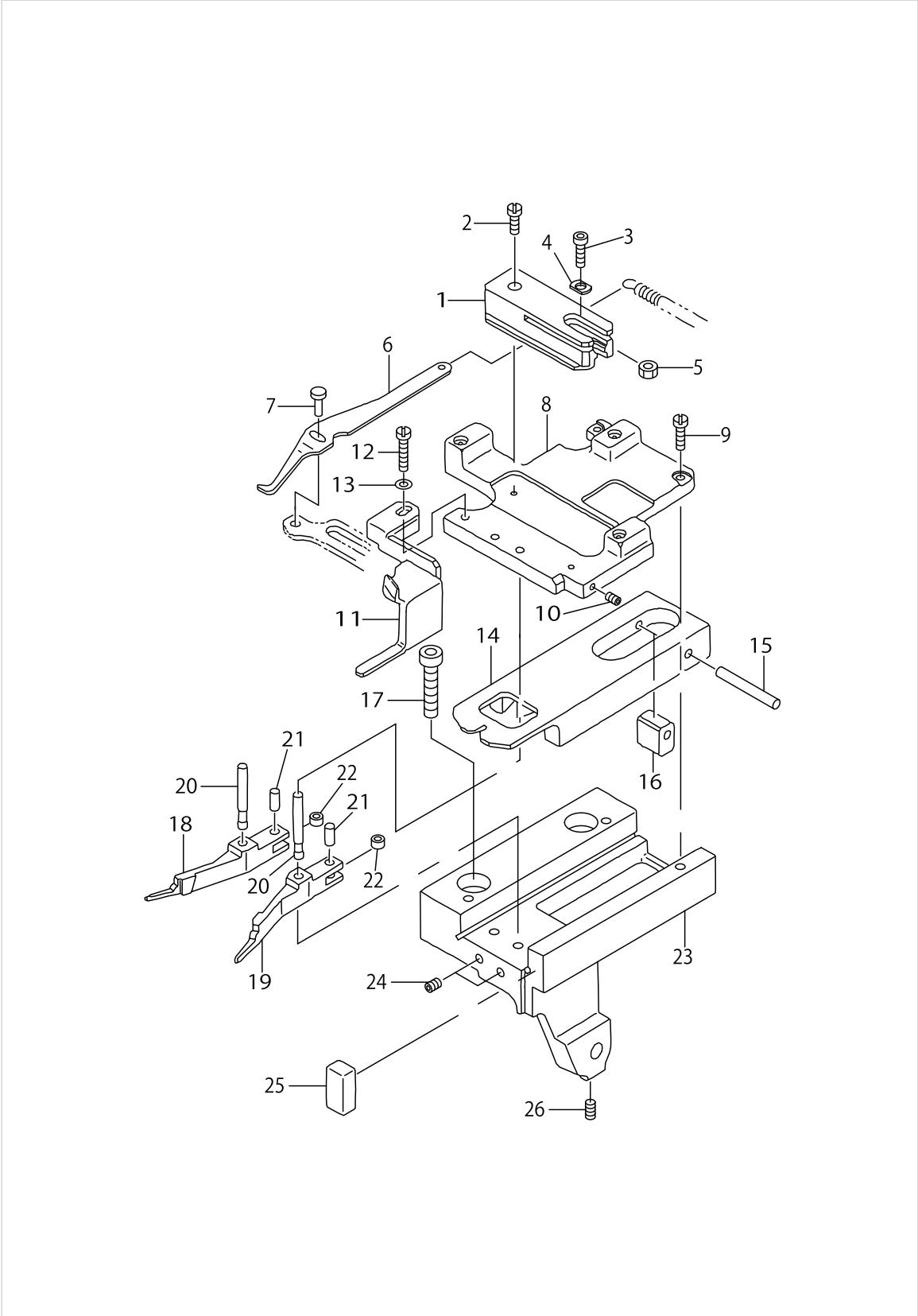
LOWER LOOPER COMPONENTS



LOWER LOOPER COMPONENTS

No.	Supply Code	Parts No.	Replacement	Parts name	Remarks	Choice	Step	Level	Cons	Qty	Rep. QTY
46		SM6041202TP		SCREW M4X0.7 L=12				*		1	
47		SM6041002TP		SCREW M4 L=10				*		1	
48	R	25247859	25166406	ELLIPSE GEARBASM.		A				1	1.00
48	R	25247859	SM8080882TP	ELLIPSE GEARBASM.		A				1	2.00
49		25247909		ELLIPSE GEAR BOSS(B)				*		1	
50		SM6042502TP		SCREW M4X0.7 L=25				*		3	
51		SM6051002TP		SCREW M5X0.8 L=10				*		1	
52		SM6050802TP		SCREW M5X0.8 L=8				*		1	
53	R	25247800	25166406	ELLIPSE GEAR(B)				*		1	1.00
54		SM6044002TP		SCREW						3	
55		WS0410002KN		SPRING WASHER						3	
56		G1211870000		UPPER SHAFT MID- DLE METAL BEARI						1	
57		25160508		SHAFTHOLDERBASE						1	
58		25160409		SHAFTHOLDERCASE						1	
59		SM6044002TP		SCREW						3	
60		WS0410002KN		SPRING WASHER						3	
61		SB112000200		BEARING						1	
62	D	25160607		BEARING PRESSER(A)						1	
63		SM8040502TP		SCREW M4X0.7 L=5						2	
64		25160706		BEARING PRESSER(B)						1	
65		SM8040502TP		SCREW M4X0.7 L=5						2	
66		SM6062002TP		SCREW M6 L=20						4	
67		WS0610002KN		SPRING WASHER 6.1X12.2X1.5						4	

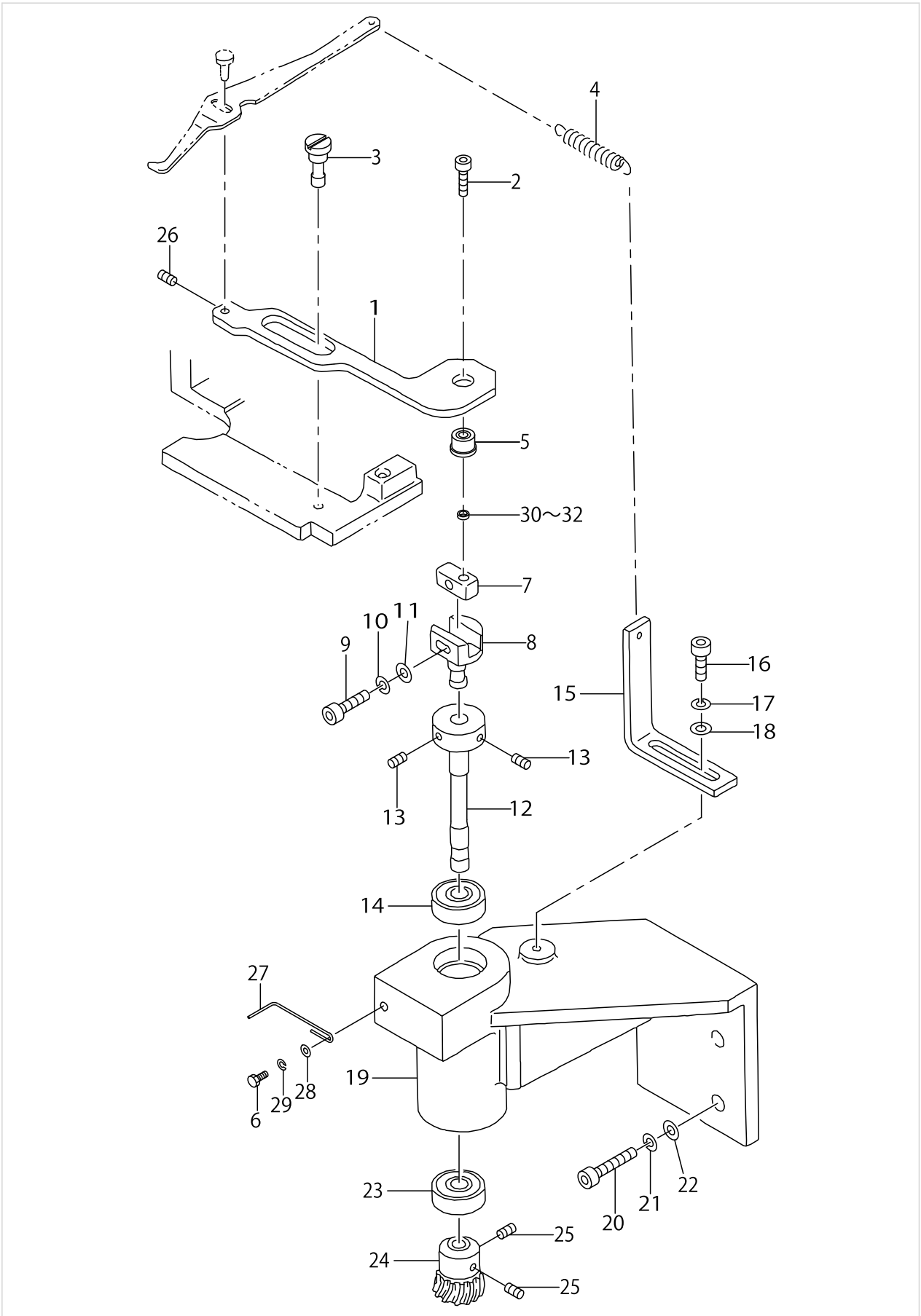
HOOK & NEEDLE GRASP COMPONENTS



HOOK & NEEDLE GRASP COMPONENTS

No.	Supply Code	Parts No.	Replacement	Parts name	Remarks	Choice	Step	Level	Cons	Qty	Rep. QTY
1		16642407		GUIDE PLATE						1	
2		SS6121010SP		SCREW 3/16-28 L=10						1	
3		SM6040602TP		SCREW M4 L=6						1	
4		16642506		GUIDE WASHER						1	
5		NM6040001SC		NUT M4						1	
6	D	16796104		HOOK FINGER						1	
7		16642704		PIN						1	
8		16642217		BLOCK COVER						1	
9	R	SS7111410SP	SS7111410TP	SCREW11/64-40L=14						2	1.00
10		SM8040802TP		SCREW M4X8						1	
11	D	25222803		THREAD GUIDE						1	
12	R	SS7111410SP	SS7111410TP	SCREW11/64-40L=14						1	1.00
13		WP0531001SC		WASHER						1	
14		16641029		SLIDE BLOCK						1	
15	D	16641102		BLOCK PIN						1	
16	D	25221904		SWITCH-TYPE SLIDE BLOCK						1	
17		SM6082002TN		SCREW M8 L=20						2	
18		25250101		PAWL,A						1	
19		25250200		PAWL,B						1	
20	D	16640500		PIN						2	
21		16640807		ROLLER PIN						2	
22		16640914		ROLLER						2	
23		25244005		SLIDE CASE						1	
24		SM8040502TP		SCREW M4X0.7 L=5						2	
25		25244807		RUBBER						1	
26		SM8050602TP		SCREW M5 L=6						1	

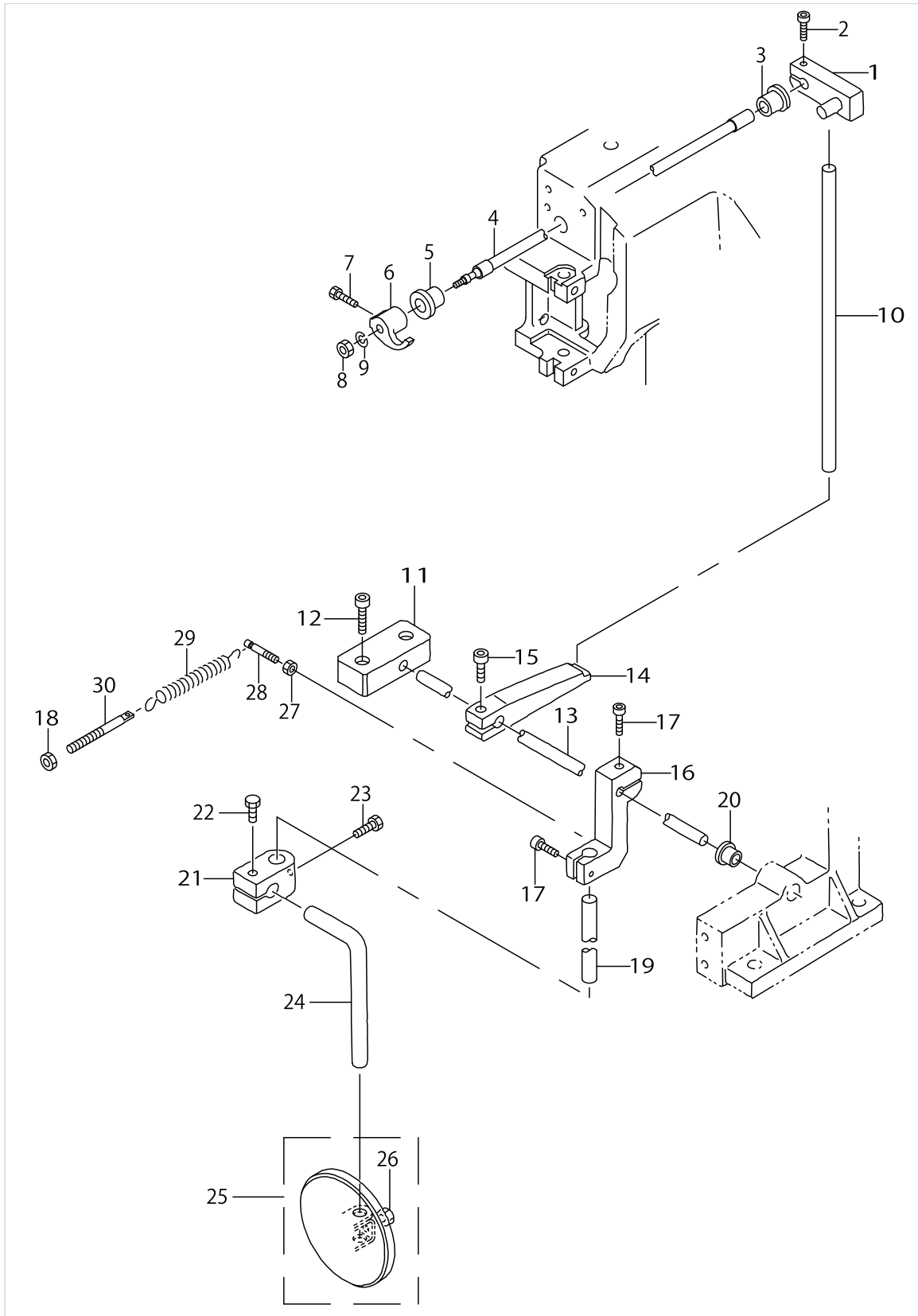
HOOK COMPONENTS



HOOK COMPONENTS

No.	Supply Code	Parts No.	Replacement	Parts name	Remarks	Choice	Step	Level	Cons	Qty	Rep. QTY
1	D	16642811		LEVER						1	
2		SM6051002TP		SCREW M5X0.8 L=10						1	
3		16643009		ECCENTRIC PIN						1	
4		16643504		SPRING						1	
5		SB105000300		BALL BEARING						1	
6		SM9041003SD		SCREW M4X0.7 L=10						1	
7	D	25222605		KEY						1	
8		25222506		HOLDER						1	
9		SM6041002TP		SCREW M4 L=10						1	
10		WS0410002KN		SPRING WASHER						1	
11		WP0430801SC		WASHER 4.3X9X0.8						1	
12		25222407		ROTATING SHAFT						1	
13		SM8040802TP		SCREW M4X8						2	
14		16710808		BEARING						1	
15		16643603		SPRINGSUSPENSION						1	
16		SM6051202TP		SCREW M5X0.8 L=12						1	
17		WS0510002KN		SPRING WASHER						1	
18		WP0531001SC		WASHER						1	
19		16643405		BRACKET						1	
20		SM6062002TP		SCREW M6 L=20						1	
21		WS0610002KN		SPRING WASHER 6.1X12.2X1.5						1	
22		WP0641601SC		WASHER						1	
23		16710808		BEARING						1	
24	D	16643306		GEAR 1						1	
25		SM8040502TP		SCREW M4X0.7 L=5						2	
26		SM8030502TP		SCREW M3 L=5						1	
27		25222308		THREAD PRESSER ROD						1	
28		WP0430801SC		WASHER 4.3X9X0.8						1	
29		WS0410002KN		SPRING WASHER						1	
30		25248303		COLLAR A	SELECTIVE PART					1	
31		25248402		COLLAR B	SELECTIVE PART					1	
32		25248501		COLLAR C	SELECTIVE PART					1	

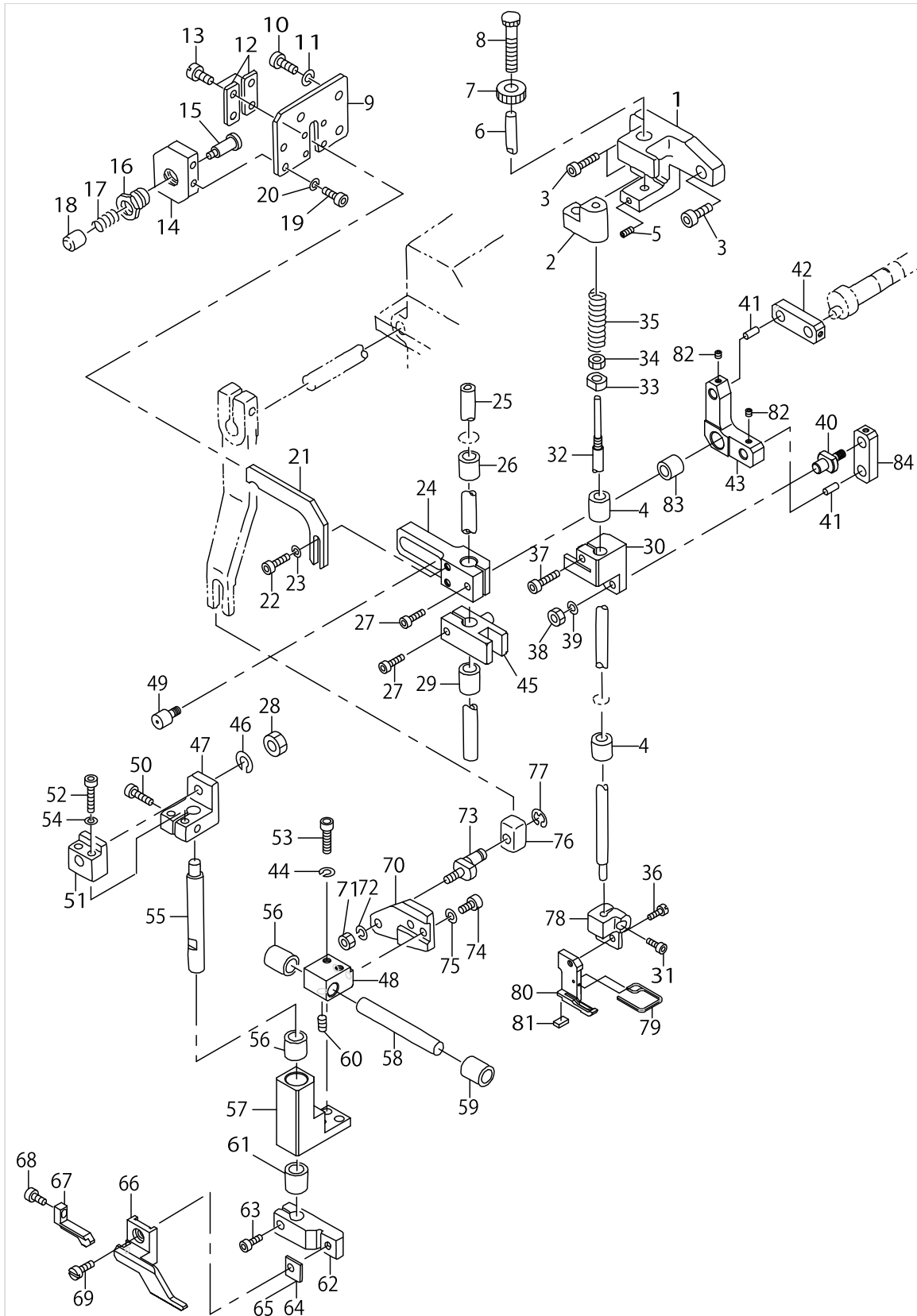
KNEE PRESS LIFTER COMPONENTS



KNEE PRESS LIFTER COMPONENTS

No.	Supply Code	Parts No.	Replacement	Parts name	Remarks	Choice	Step	Level	Cons	Qty	Rep. QTY
1		16645707		LEVER						1	
2		SM6061802TP		SCREW M6 L=18						1	
3		16628000		BUSHING						1	
4		16645608		KNEE LIFTER SHAFT						1	
5	D	16628505		BUSHING						1	
6		16645806		PAWL						1	
7		SS9111010SP		SCREW 11/64-40 L=9.5						1	
8		NM6060003SC		NUT M6						1	
9		WS0610002KN		SPRING WASHER 6.1X12.2X1.5						1	
10		25224106		CONNECTING SHAFT						1	
11		25224304		BLOCK						1	
12		SM6063002TP		SCREW M6 L=30						2	
13		25224205		KNEE LIFTER CONNECTING SHAFT						1	
14		25224007		KNEE LIFTER LEVER						1	
15		SM6051802TP		SCREW M5 L=18						1	
16		16646515		BRACKET						1	
17		SM6062002TP		SCREW M6 L=20						2	
18		NM6050001SC		NUT M5						1	
19		16646721		L SHAFT						1	
20		16628901		BUSHING						1	
21	R	11024502	22932453	KNEE PRESS LOD BEARING BRACKET						1	1.00
22		SS9182010SN		SCREW 9/32-20 L=20						1	
23		SS9182010SN		SCREW 9/32-20 L=20						1	
24	R	B3419122000	22934608	KNEE LIFTER PLATE ROD						1	1.00
25	R	16775850	22934251	KNEE PRESS PLATE ASM.						1	1.00
26		SM6051002TP		SCREW M5X0.8 L=10				*		1	
27		NM6050003SC		NUT M5X0.8						1	
28		16646606		ANCHOR A						1	
29		16647000		SPRING						1	
30		25253600		SPRING RACK						1	

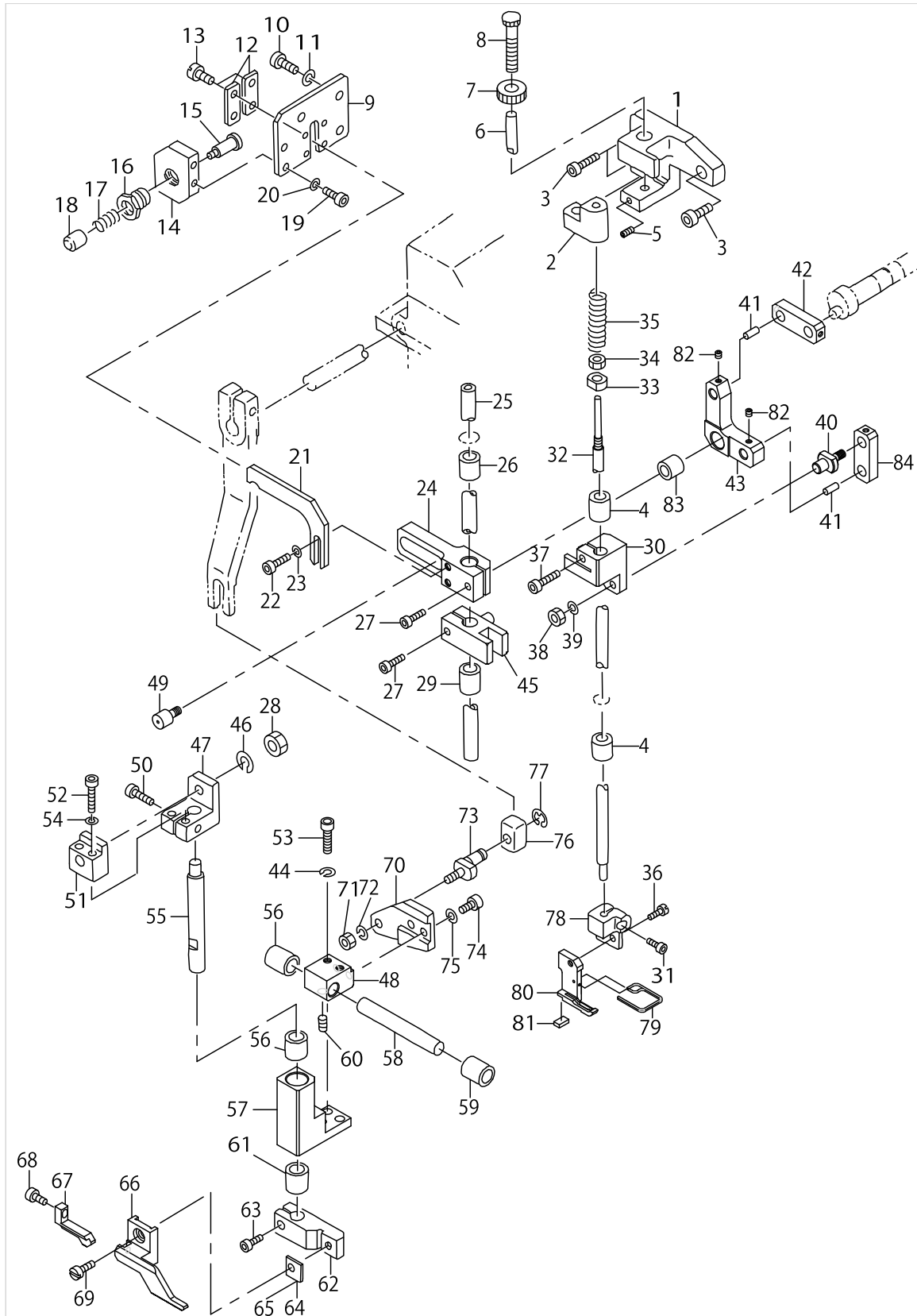
PRESSER FOOT COMPONENTS



PRESSER FOOT COMPONENTS

No.	Supply Code	Parts No.	Replacement	Parts name	Remarks	Choice	Step	Level	Cons	Qty	Rep. QTY
1		16660706		BRACKET						1	
2		16663908		SPRING PRESSER BLOCK						1	
3		SM6041202TP		SCREW M4X0.7 L=12						3	
4		16628703		BUSHING						2	
5	R	SS8110510SP	SS8110520TP	SCREW 11/64-40 L=5						1	1.00
6	D	16680704		PIN						1	
7		16680605		NUT						1	
8		16680506		ADJUSTING SCREW						1	
9		25246406		SIDE PLATE						1	
10		SM6041002TP		SCREW M4 L=10						3	
11		WS0410002KN		SPRING WASHER						3	
12		25246505		GUIDE PLATE						2	
13		SS6090810SP		SCREW 9/64-40 L=7.5						4	
14		25227208		LOCK PIN METAL						1	
15		16663007		STOPPER PIN						1	
16		16662900		SPRING HOLDER						1	
17	D	16663106		SPRING						1	
18	D	16663205		CAP						1	
19		SM6041002TP		SCREW M4 L=10						2	
20		WS0410002KN		SPRING WASHER						2	
21		25246315		ROCKING PLATE						1	
22		SM6041002TP		SCREW M4 L=10						2	
23		WS0410002KN		SPRING WASHER						2	
24		25248600		ROCKING BLOCK						1	
25		25245606		VERTICAL SHAFT,1						1	
26		25253402		BUSHING						1	
27		SM6041502TP		SCREW M4X0.7 L=15						2	
28		NM6040003SC		NUT M4						1	
29		25253402		BUSHING						1	
30		25245317		BLOCK						1	
31		SM6041002TP		SCREW M4 L=10						1	
32		16663411		PRESSER SHAFT						1	
33		16663718		FIXING COLLAR						1	
34		25227604		NUT						1	
35		16663809		SPRING						1	
36		SS6080810SP		SCREW 1/8-44 L= 8.0						1	
37		SM6041502TP		SCREW M4X0.7 L=15						1	
38		NM6040003SC		NUT M4						1	
39		WS0410002KN		SPRING WASHER						1	
40		25228511		LINK PIN,1						1	
41		25252503		PIN						2	
42	D	25162009		FEED CONNECTING LINK 20MM						2	
43	D	25229915		L LINK A						1	
44		WS0410002KN		SPRING WASHER						2	
45	D	25248709		ROCKING BLOCK						1	
46		WS0410002KN		SPRING WASHER						1	

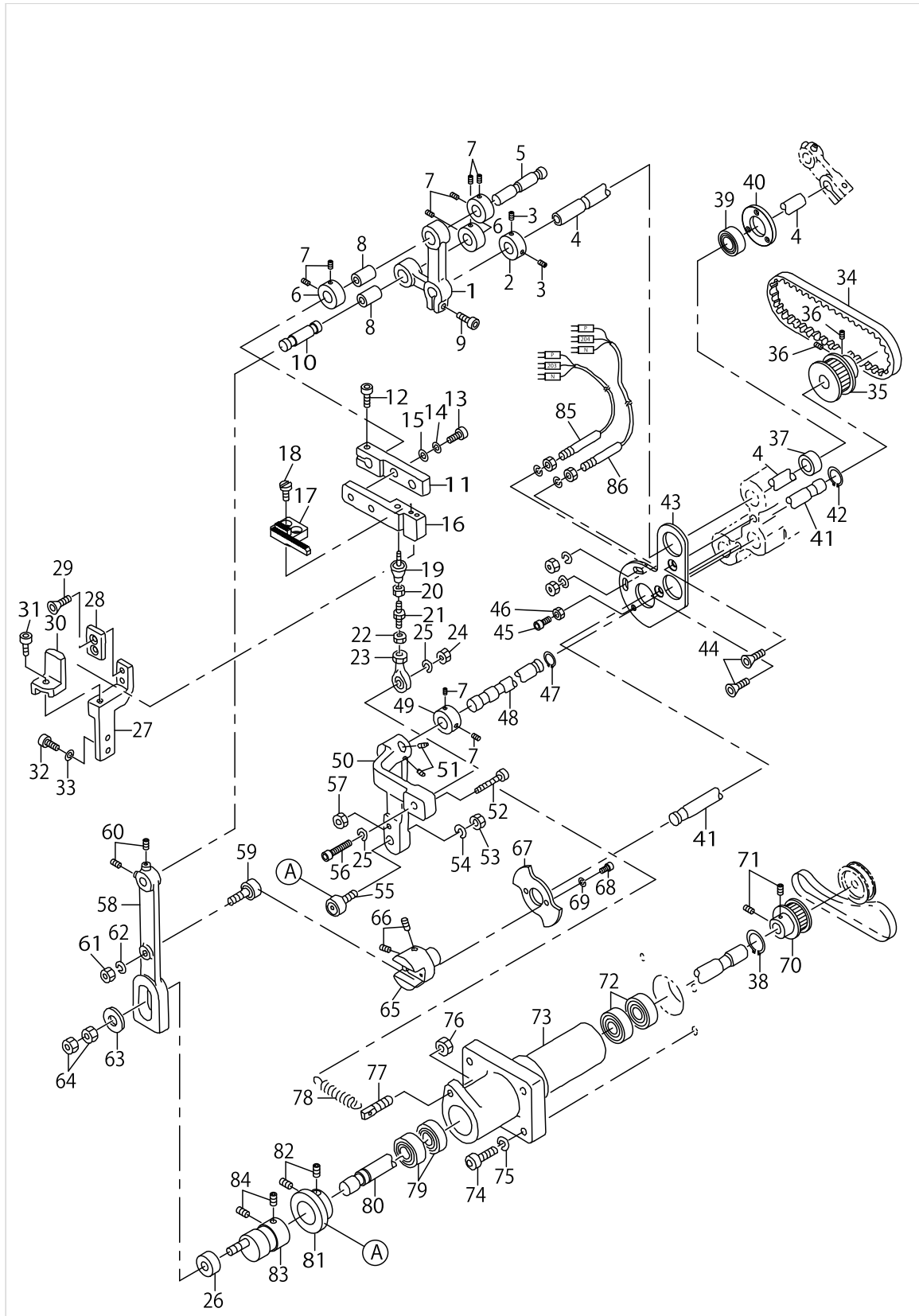
PRESSER FOOT COMPONENTS



PRESSER FOOT COMPONENTS

No.	Supply Code	Parts No.	Replacement	Parts name	Remarks	Choice	Step	Level	Cons	Qty	Rep. QTY
47		25245903		HOLDER METAL,1						1	
48		25247107		CROSSFEED CASE						1	
49		25252701		CAM FOLLOWER						1	
50		SM6041502TP		SCREW M4X0.7 L=15						1	
51		25245705		HOLDER METAL						1	
52		SM6031502TP		SCREW M3 X 15						2	
53		SM6041502TP		SCREW M4X0.7 L=15						2	
54		WS0310002KN		SPRING WASHER M3						2	
55		25245812		VERTICAL SHAFT,2						1	
56		25253402		BUSHING						2	
57		25248907		FEED CASE						1	
58		25246901		SIDE SHAFT						1	
59		25253402		BUSHING						1	
60		SM8040602TP		SCREW M4X0.7 L=6						1	
61		25253402		BUSHING						1	
62		25246604		UPPER FEED FITTING LEVER						1	
63		SM6051202TP		SCREW M5X0.8 L=12						1	
64	D	25246703		UPPER FEED FITTING SHIM,1	SELECTIVE PART					1	
65	D	25246802		UPPER FEED FITTING SHIM,2	SELECTIVE PART					1	
66		25165507		UPPERFEEDDOG(ST)						1	
67		25165705		INTERMEDIATE FEED DOG (ST)						1	
68		SS6081210SP		SCREW 1/8-44 L=12						1	
69	R	SS7111120SP	SS7111120TP	SCREW 11/64-40 L=10.5						1	1.00
70		25247206		PLATE						1	
71		NM6040003SC		NUT M4						1	
72		WS0410002KN		SPRING WASHER						1	
73		25247305		SLIDE BLOCK PIN						1	
74		SM6041002TP		SCREW M4 L=10						2	
75		WS0410002KN		SPRING WASHER						2	
76	D	25247404		SLIDE BLOCK PIN						1	
77		RC0470611KP		RETAINING RING 4.7						1	
78	R	16669418	16669426	PRESSER FOOT HOLDER						1	1.00
79		25161704		FINGER GUARD						1	
80	D	25162306		PRESSER						1	
81		25243007		RUBBER,S						1	
82		SM8030302TP		SCREW M3X0.5 L=3						2	
83	D	25253105		BEARING						1	
84	D	25161902		FEED CONNECTING LINK 18MM						1	

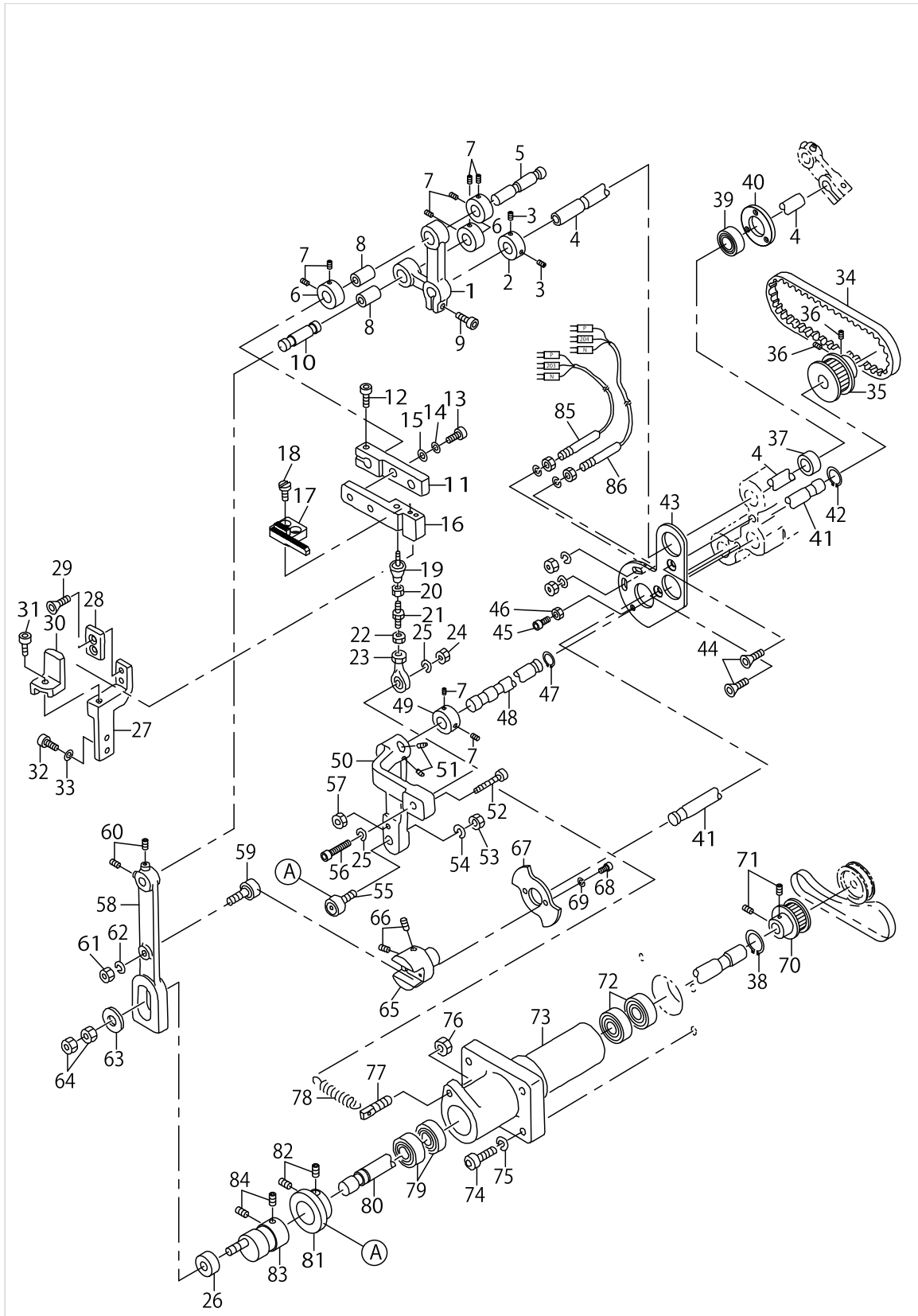
LOWER FEED COMPONENTS



LOWER FEED COMPONENTS

No.	Supply Code	Parts No.	Replacement	Parts name	Remarks	Choice	Step	Level	Cons	Qty	Rep. QTY
1		25230509		LOWER FEED ARM,2						1	
2	D	16711608		COLLAR						1	
3		SM8040502TP		SCREW M4X0.7 L=5						2	
4		25233115		CONNECTING SHAFT,LOWER						1	
5		25231002		ARM PIN,1						1	
6		16711509		COLLAR						3	
7		SM8040502TP		SCREW M4X0.7 L=5						8	
8		25253006		NEEDLE BEARING						2	
9		SM6061202TP		SCREW M6 L=12						1	
10		25231101		ARM PIN,2						1	
11		25230806		LOWERFEEDLEVER,2						1	
12		SM6051552TP		SCREW M5 L=15						1	
13		SM6051552TP		SCREW M5 L=15						2	
14		WS0510002KN		SPRING WASHER						2	
15		WP0531001SC		WASHER						2	
16		25230608		LOWERFEEDLEVER,A						1	
17	D	25165606		LOWER FEED DOG (ST)						1	
18		SS6090810SP		SCREW 9/64-40 L= 7.5						2	
19	D	16713703		LINK BALL						1	
20		NM6050003SC		NUT M5X0.8						1	
21		25231200		SHAFT						1	
22		NM6050550SD		NUT M5X0.8						1	
23	D	G5181340000		JOINT B						1	
24		NM6050003SC		NUT M5X0.8						1	
25		WS0510002KN		SPRING WASHER						2	
26	D	25252602		ROLLER FOLLOWER						1	
27		25231408		LOOSENESS PREVENTION,1						1	
28	D	25232505		LINER						1	
29		25152109		SCREW						2	
30	D	25231507		LOOSENESS PREVENTION,2						1	
31		SM6041002TP		SCREW M4 L=10						1	
32		SM6041802TP		SCREW M4 L=18						2	
33		WS0410002KN		SPRING WASHER						2	
34	D	25253709		TIMING BELT						1	
35		25223405		TIMING PULLEY						1	
36		SM8050602TP		SCREW M5 L=6						2	
37	D	16711608		COLLAR						1	
38		RC1200001KP		C-SHAPED SNAP RING						1	
39		SB110000400		BALL BEARING						1	
40		25215609		BEARING PRESSER						1	
41		25231705		FULCRUM SHAFT						1	
42		RC0931011KP		RETAINING RING						1	
43		25161605		BEARING PRESSER PLATE						1	
44		25150509		SCREW						2	
45		SM6051202TP		SCREW M5X0.8 L=12						1	
46		NM6050001SC		NUT M5						1	

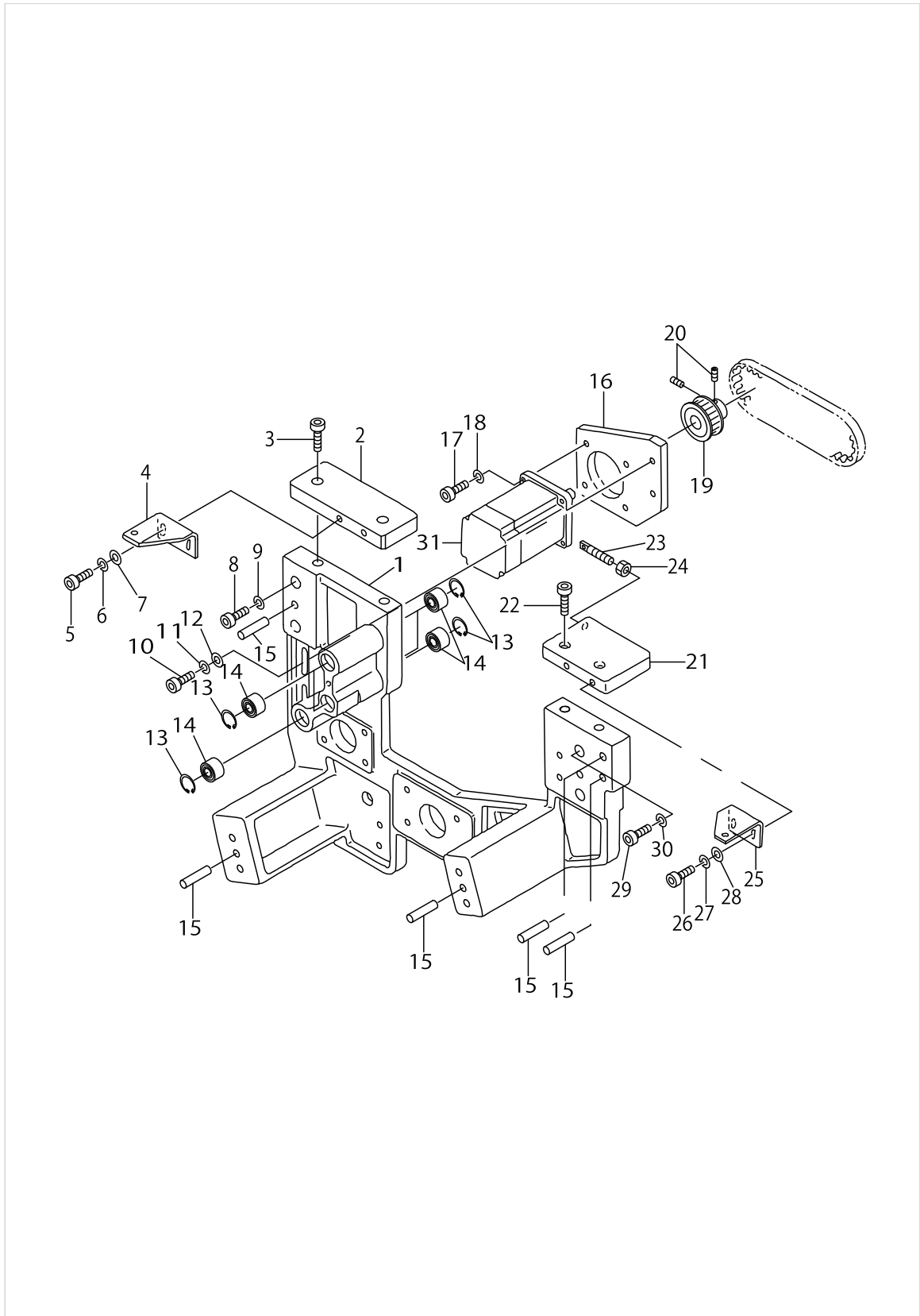
LOWER FEED COMPONENTS



LOWER FEED COMPONENTS

No.	Supply Code	Parts No.	Replacement	Parts name	Remarks	Choice	Step	Level	Cons	Qty	Rep. QTY
47		RC0931011KP		RETAINING RING						1	
48		25230905		ARM SHAFT,1						1	
49	D	16711608		COLLAR						1	
50		25230400		LOWER FEED ARM,1						1	
51		SM8050602TP		SCREW M5 L=6						2	
52		SM6062002TP		SCREW M6 L=20						1	
53		NM6060003SC		NUT M6						1	
54		WS0610002KN		SPRING WASHER 6.1X12.2X1.5						1	
55		16713307		CAM FOLLOWER						1	
56		SM6052502TP		SCREW M5X0.8 L=25						1	
57		NM6060003SC		NUT M6						1	
58		25231804		ROCKING LEVER						1	
59		25252909		CAM FOLLOWER						1	
60		SM8050602TP		SCREW M5 L=6						2	
61		NM6060003SC		NUT M6						1	
62		WS0610002KN		SPRING WASHER 6.1X12.2X1.5						1	
63		25232000		WASHER						1	
64		NM6060003SC		NUT M6						2	
65		25232406		ROTATING BOSS						1	
66		SM8051002TP		SCREW M5 L=10						2	
67		25160904		SENSOR PLATE						1	
68		SM6041002TP		SCREW M4 L=10						2	
69		WS0410002KN		SPRING WASHER						2	
70		25216318		TIMING PULLEY,1						1	
71		SM8050602TP		SCREW M5 L=6						2	
72		SB112000200		BEARING						2	
73		25232208		BEARING BASE						1	
74		SM6062502TP		SCREW M6 L=25						4	
75		WS0610002KN		SPRING WASHER 6.1X12.2X1.5						4	
76		NM6060003SC		NUT M6						1	
77		25252800		POST						1	
78	D	16666406		SPRING						1	
79		SB112000200		BEARING						2	
80	D	25232109		LOWER FEED PULLEY SHAFT						1	
81		25232315		LOWER FEED VERTICAL CAM						1	
82		SM8050602TP		SCREW M5 L=6						2	
83		25231903		ECCENTRIC BOSS						1	
84		SM8050602TP		SCREW M5 L=6						2	
85		25210659		NS-3 CABLE ASM.						1	
86		25210758		NS-4 CABLE ASM.						1	

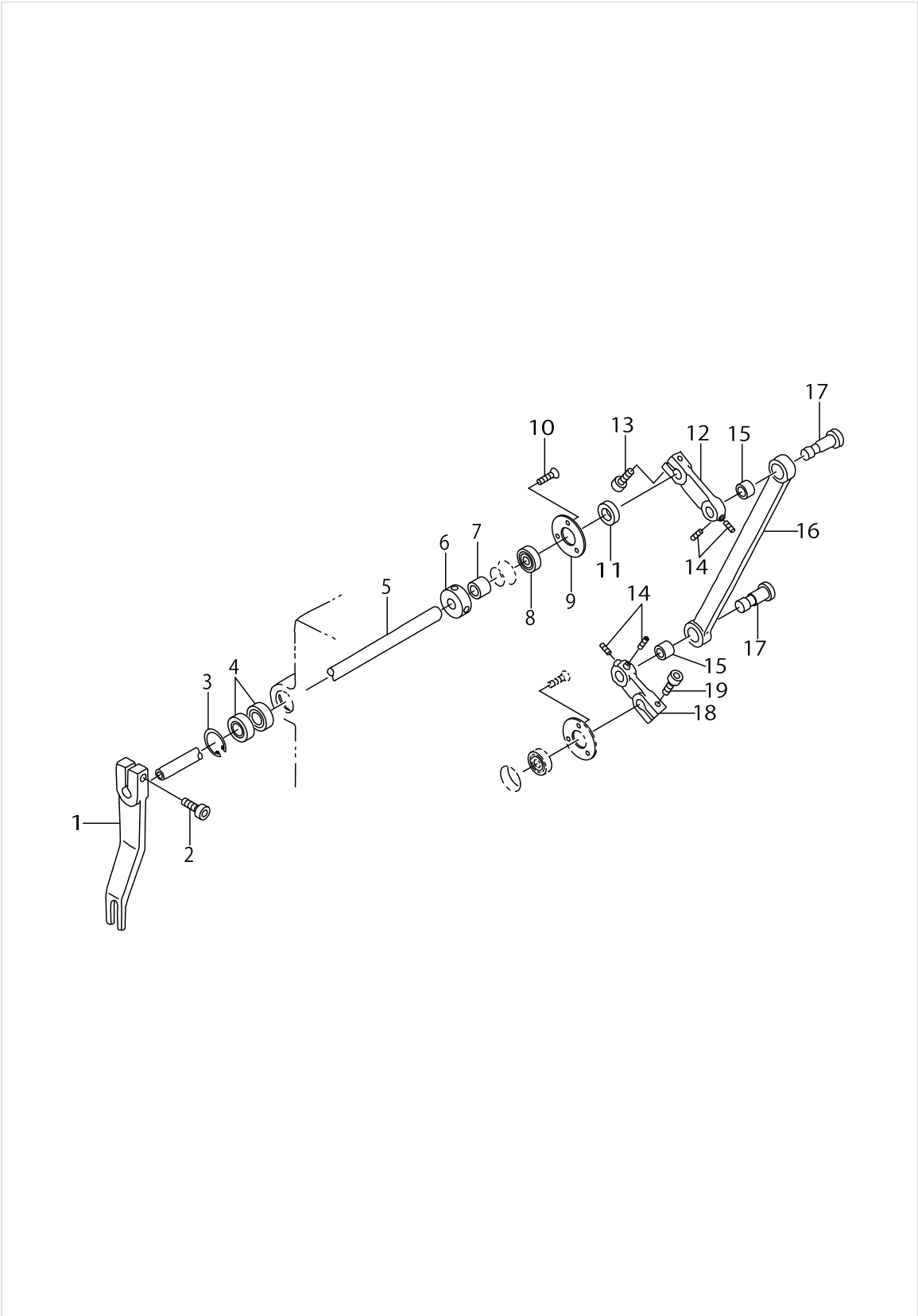
INTERMEDIATE PLATE & FEED CHANGE MOTOR COMPONENTS



INTERMEDIATE PLATE & FEED CHANGE MOTOR COMPONENTS

No.	Supply Code	Parts No.	Replacement	Parts name	Remarks	Choice	Step	Level	Cons	Qty	Rep. QTY
1		25222902		INTERMEDIATE PLATE						1	
2		25242306		FITTING BASIS,L						1	
3		SM6051002TP		SCREW M5X0.8 L=10						2	
4	D	25234501		COVER HOLDING,L						1	
5		SM6040802TP		SCREW M4X0.7 L=8						2	
6		WS0410002KN		SPRING WASHER						2	
7		WP0430801SC		WASHER 4.3X9X0.8						2	
8		SM6104002TP		SCREW						2	
9		WS1020002KN		SPRING WASHER M10						2	
10		SM6062002TP		SCREW M6 L=20						2	
11		WS0610002KN		SPRING WASHER 6.1X12.2X1.5						2	
12		WP0641601SC		WASHER						2	
13		RC2600002KP		C-SHAPED SNAP RING						6	
14		SB110000400		BALL BEARING						6	
15		16712408		PIN						4	
16		25223009		MOTOR PLATE						1	
17		SM6062002TP		SCREW M6 L=20						4	
18		WS0610002KN		SPRING WASHER 6.1X12.2X1.5						4	
19		25242405		TIMING PULLEY						1	
20		SM8050602TP		SCREW M5 L=6						2	
21		25242207		FITTING BASE,R						1	
22		SM6051202TP		SCREW M5X0.8 L=12						2	
23		25253600		SPRING RACK						1	
24		NM6050001SC		NUT M5						1	
25		25234402		COVER HOLDING,R						1	
26		SM6040802TP		SCREW M4X0.7 L=8						2	
27		WS0410002KN		SPRING WASHER						2	
28		WP0430801SC		WASHER 4.3X9X0.8						2	
29		SM6104002TP		SCREW						2	
30		WS1020002KN		SPRING WASHER M10						2	
31		25208851		PULSE MOTOR ASM.						1	

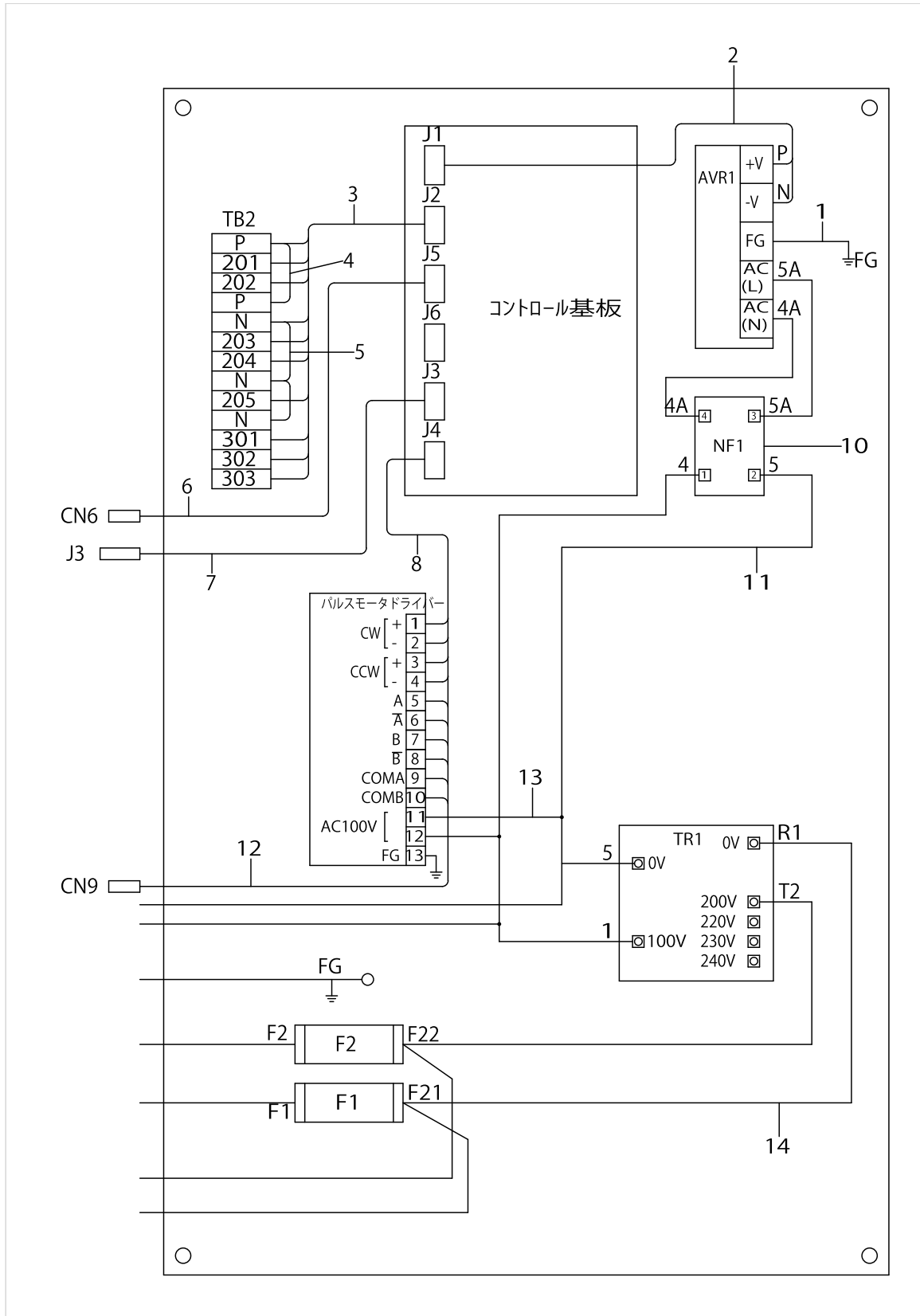
FEED CONNECTING COMPONENTS



FEED CONNECTING COMPONENTS

No.	Supply Code	Parts No.	Replacement	Parts name	Remarks	Choice	Step	Level	Cons	Qty	Rep. QTY
1		25247503		UPPER FEED LEVER						1	
2		SM6051552TP		SCREW M5 L=15						1	
3		RC0220001KP		C-TYPE SNAP RING						1	
4		16710303		BEARING						2	
5		25233016		CONNECTING SHAFT						1	
6	D	16711608		COLLAR						1	
7		25233206		CONNECTING SHAFT COLLAR,1						1	
8		SB110000400		BALL BEARING						1	
9		25215609		BEARING PRESSER						1	
10		25150103		BOLT						3	
11		25233305		CONNECTING SHAFT COLLAR,2						1	
12		25232703		COMMUNICATION LEVER,UPPER						1	
13		SM6051552TP		SCREW M5 L=15						1	
14		SM8040502TP		SCREW M4X0.7 L=5						4	
15		25252404		BUSHING						2	
16		25232604		COMMUNICATION LINK						1	
17		25232901		COMMUNICATION LINK PIN						2	
18		25232802		COMMUNICATION LEVER,LOWER						1	
19		SM6051552TP		SCREW M5 L=15						1	

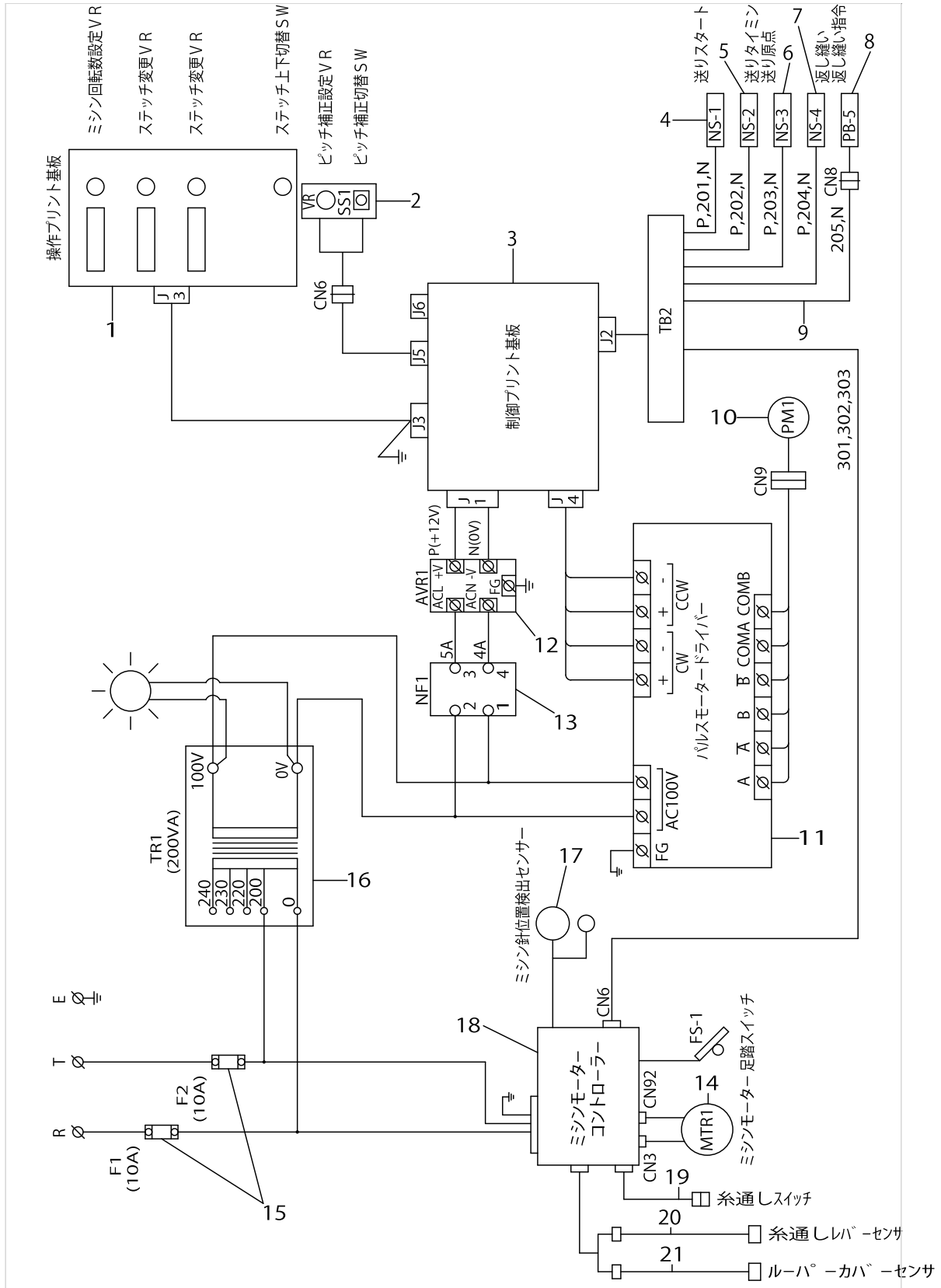
TRANSMISSION COMPONENTS (1)



TRANSMISSION COMPONENTS (1)

No.	Supply Code	Parts No.	Replacement	Parts name	Remarks	Choice	Step	Level	Cons	Qty	Rep. QTY
1		25208158		FG CABLE ASM.,3						1	
2		25210352		CONTROL BASE POWER SOURCE ASM.						1	
3		25208455		INPUT CABLE ASM.						1	
4		25208554		TB-2 CABLE ASM.						1	
5		16552952		TB-2 PASSAGE CABLE ASM. 2						1	
6		25208653		PITCH TRIMMING CABLE ASM.						1	
7		16554156		OPERATION CABLE ASM.						1	
8		25208257		PULSE OUTPUT CABLE ASM.						1	
9		25206558		CABLE ASM.,2						1	
10		25207259		NOISE FILTER ASM.						1	
11		25206756		CABLE ASM.,4						1	
12		25208356		PULSE MOTOR CABLE ASM.						1	
13		25207457		POWER SOURCE ASM.,2						1	
14		25209651		TRANSFORMER CABLE ASM.,4						1	

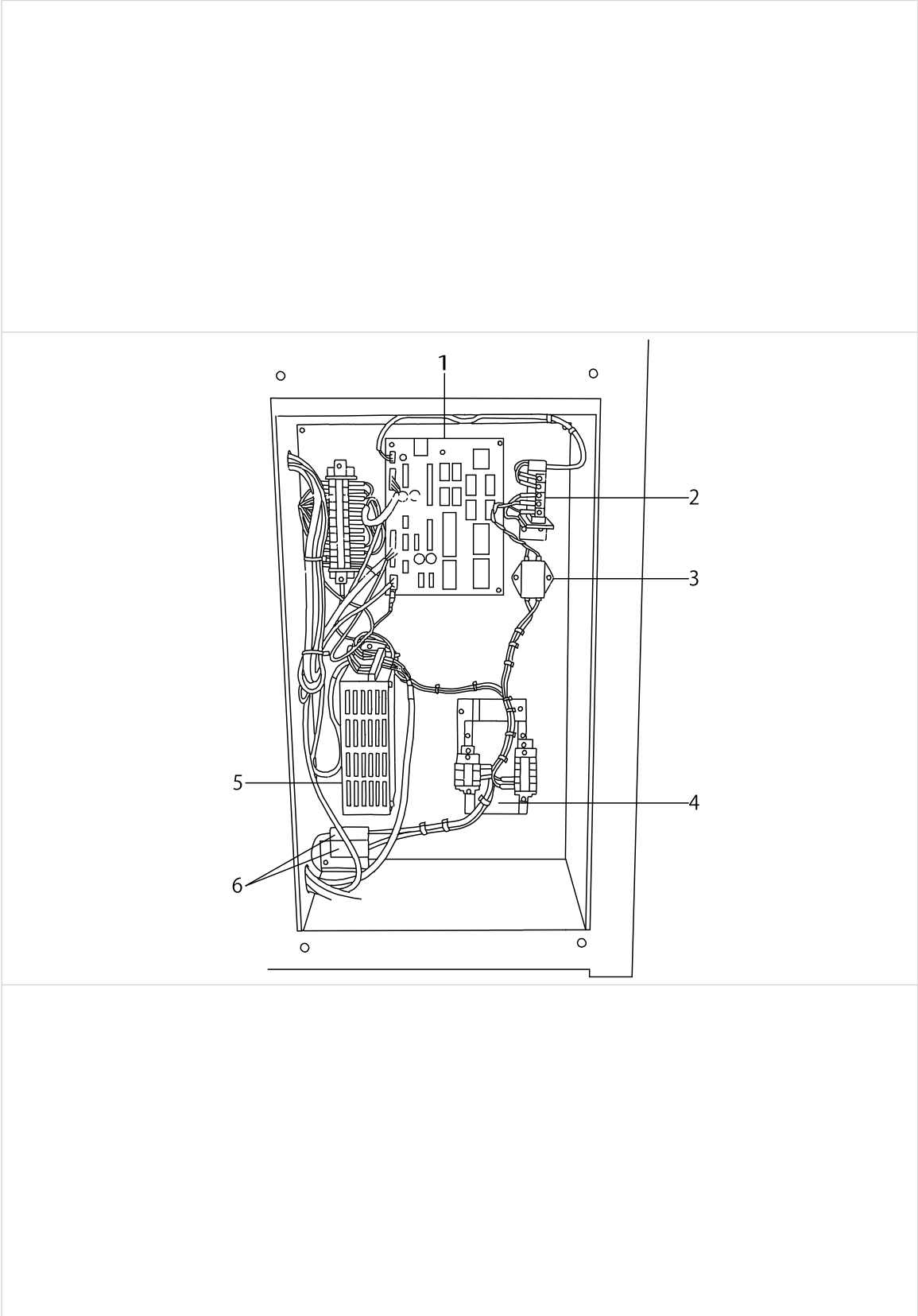
TRANSMISSION COMPONENTS (2)



TRANSMISSION COMPONENTS (2)

No.	Supply Code	Parts No.	Replacement	Parts name	Remarks	Choice	Step	Level	Cons	Qty	Rep. QTY
1	D	16554552		PANEL CIRCUIT BOARD ASM.						1	
2		25208950		PITCH TRIMMING BOX ASM.						1	
3	R	16554453	16554461	CONTROL CIRCUIT BOARD ASM.						1	1.00
4		25210451		NS-1 CABLE ASM.						1	
5		25210550		NS-2 CABLE ASM.						1	
6		25210659		NS-3 CABLE ASM.						1	
7		25210758		NS-4 CABLE ASM.						1	
8		25209255		PB-5 CABLE ASM.,2						1	
9		25209156		PB-5 CABLE ASM.,1						1	
10		25208851		PULSE MOTOR ASM.						1	
11		25212507		PULSE MOTOR DRIVER						1	
12		25212705		SWITCHING POWER SUPPLY						1	
13		25207259		NOISE FILTER ASM.						1	
14		MSCM6010AA0		MOTOR COMPLETED 200-240VCE						1	
15	D	HF001501000		FUSE						1	
16		25212606		TRANSFORMER						1	
17	D	MSCM80000A0		SYNCHRONIZERASM.						1	
18	D	MSCM2012DA0		SC380 COMPLETED CE1 WHOLE 230V						1	
19	D	25162751		THREAD LEAD-IN SWITCH ASM.	OPTIONAL PART					1	
20		25212259		NS-6 CABLE ASM.						1	
21	D	25212150		NS-5 CABLE ASM.						1	

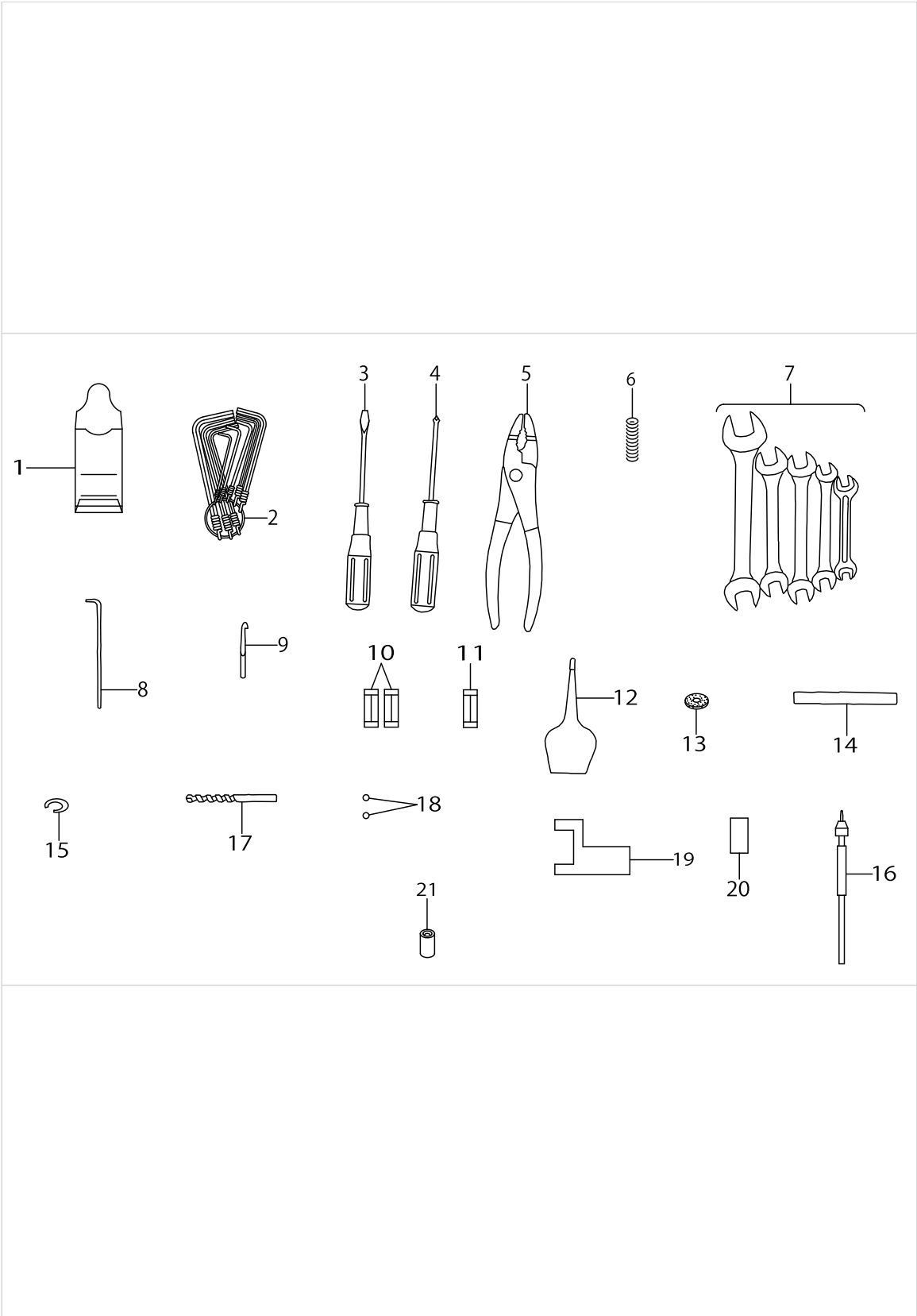
TRANSMISSION COMPONENTS (3)



TRANSMISSION COMPONENTS (3)

No.	Supply Code	Parts No.	Replacement	Parts name	Remarks	Choice	Step	Level	Cons	Qty	Rep. QTY
1	R	16554453	16554461	CONTROL CIRCUIT BOARD ASM.						1	1.00
2		25212705		SWITCHING POWER SUPPLY						1	
3		25207259		NOISE FILTER ASM.						1	
4		25212606		TRANSFORMER						1	
5		25212507		PULSE MOTOR DRIVER						1	
6	D	HF001501000		FUSE						2	

ACCESSORIES COMPONENTS



ACCESSORIES COMPONENTS

No.	Supply Code	Parts No.	Replacement	Parts name	Remarks	Choice	Step	Level	Cons	Qty	Rep. QTY
1	R	MDPN10A000T	MDPN10A0000	NEEDLE ASM. DPN-1032B38						1	1.00
2		G91011160A0		L-SHAPED WRENCH ASM.						1	
3	R	B9110012000	22933105	SCREW DRIVER, MIDDLE						1	1.00
4	D	G9119116000		DRIVER +						1	
5	D	G5701340000		PLIER						1	
6		25217704		STOP SPRING						4	
7		G91201160A0		SPANNER ASM.						1	
8		B9101490000		DRIVER						1	
9	D	16633406		THREADING NEEDLE						4	
10	D	HF001501000		FUSE						2	
11	D	HF0012030P0		FUSE 3A 125V REF NO.112						1	
12		A9102062BA0		OILER WITH OIL						1	
13		16661704		RUBBER WASHER						4	
14		16681009		PIN						1	
15		G5513340000		RING						4	
16	D	G5704340000		THREADING HOLDER						1	
17		17779802		DRILL (D=0.3)						1	
18	D	G5542340000		STEEL BALL						2	
19	D	25227406		GAUGE						1	
20		25244807		RUBBER						1	
21	R	25250002	25250010	NEEDLE HOLDER PIN						2	1.00

HOW TO MAKE USE OF THIS PARTS LIST

1.As to "#01" and "#02" refer to the "Note" given at the bottom of the respective pages.

2.Codes on the "Qty" column

- Each numeral indicates the number of parts required.
- "0.1" and "2.5" indicate the length (in meters) of the respective parts.

3.Parentheses mean that the corresponding part is a subpart that constructs an assembly part.

4.Dotted lines on the Figures indicate assembly parts.

1. リストページの# 0 1、# 0 2の印は、ページ下の"注記"の説明を参照下さい。
2. 数量欄の数字は、個数を表し、0. 1、2. 5等の数値は、長さ（単位メートル）を表します。
3. 数量欄の（ ）は、組部品を構成している子部品であることを意味します。
4. イラストページの-----枠は、組構成であることを意味します。

NUMERICAL INDEX OF PARTS

PART NO	PAGE	REF NO.	PART NO	PAGE	REF NO.	PART NO	PAGE	REF NO.
11024502	46	21	16629800	18	58	16640914	42	22
11155801	2	6	16630204	18	56	16641029	42	14
11156007	2	5	16630303	16	36	16641102	42	15
11158805	14	69	16630709	16	37	16641508	34	35
11158904	14	70	16630808	16	39	16642217	42	8
11159001	14	77	16630907	16	44	16642407	42	1
11521903	8	65	16631004	18	48	16642506	42	4
13764352	8	71	16631111	18	75	16642704	42	7
16552952	60	5	16631202	18	79	16642811	44	1
16554156	60	7	16631301	18	80	16643009	44	3
16554453	62	3	16631400	18	73	16643306	44	24
16554453	64	1	16631509	18	72	16643405	44	19
16554552	6	28	16631608	18	74	16643504	44	4
16554552	62	1	16631707	18	69	16643603	44	15
16590200	6	18	16631814	18	68	16644601	14	81
16590309	6	19	16631939	18	81	16644700	14	55
16624603	12	12	16632010	18	70	16644809	14	54
16624900	12	17	16632119	18	85	16644908	14	47
16625006	12	24	16632200	18	82	16645004	14	52
16625105	12	22	16632309	18	84	16645103	14	50
16625204	12	27	16632408	18	87	16645202	12	35
16625303	12	29	16632606	22	8	16645301	12	41
16625402	12	4	16632903	22	12	16645400	12	43
16625501	12	6	16633000	22	11	16645608	46	4
16625600	18	90	16633109	22	9	16645707	46	1
16625709	16	1	16633216	22	18	16645806	46	6
16625808	16	3	16633406	22	21	16646515	46	16
16626111	12	34	16633406	66	9	16646606	46	28
16626202	36	58	16633802	24	32	16646721	46	19
16626400	36	55	16633901	24	33	16647000	46	29
16627515	16	19	16633901	28	19	16652117	34	15
16627606	16	28	16635005	28	18	16652216	10	23
16627804	16	22	16636706	32	22	16652315	10	22
16627903	16	25	16637308	32	17	16660706	48	1
16628000	46	3	16637704	36	48	16661019	24	34
16628505	46	5	16637803	34	46	16661118	28	27
16628703	48	4	16637902	34	42	16661209	24	9
16628901	46	20	16638108	34	45	16661209	28	40
16629008	26	47	16638207	36	69	16661308	24	5
16629008	28	11	16638306	36	68	16661308	28	44
16629107	36	76	16638405	36	65	16661506	24	7
16629503	10	19	16639106	38	4	16661506	28	42
16629503	22	4	16639403	38	10	16661605	24	6
16629503	34	27	16640500	42	20	16661605	28	43
16629701	18	54	16640807	42	21	16661704	24	4

NUMERICAL INDEX OF PARTS

PART NO	PAGE	REF NO.	PART NO	PAGE	REF NO.	PART NO	PAGE	REF NO.
16661704	28	45	16710006	28	10	16718009	2	12
16661704	66	13	16710204	36	63	16718405	22	17
16661803	24	3	16710303	16	27	16718702	6	32
16661803	28	46	16710303	58	4	16718702	24	45
16661902	24	20	16710501	38	9	16718702	28	9
16661902	28	23	16710600	34	80	16720005	16	9
16662009	26	48	16710600	36	80	16775850	46	25
16662009	28	24	16710709	14	51	16795007	36	50
16662108	24	21	16710808	44	23	16796104	42	6
16662108	28	25	16710907	36	61	16800104	10	25
16662900	48	16	16711004	36	62	16811705	38	3
16663007	48	15	16711202	24	24	16870206	2	36
16663106	48	17	16711202	28	13	16876906	12	13
16663205	48	18	16711202	38	13	16877417	10	16
16663411	48	32	16711301	16	12	16877508	18	88
16663718	48	33	16711301	36	53	16878001	16	5
16663809	48	35	16711400	34	34	16878308	32	26
16663908	48	2	16711509	52	6	16879108	10	29
16665002	16	14	16711608	16	51	16879504	12	23
16665101	16	10	16711608	18	51	17779802	66	17
16666406	54	78	16711608	34	8	18347708	12	33
16669418	50	78	16711608	52	49	20321204	6	35
16677700	2	28	16711608	54	49	25150004	22	10
16677809	2	22	16711608	58	6	25150103	58	10
16678609	14	86	16712408	56	15	25150509	52	44
16679003	2	17	16712507	32	7	25151705	12	26
16679102	2	2	16712507	38	17	25151903	20	9
16679201	2	8	16713208	16	38	25152109	10	13
16679508	12	1	16713208	32	25	25152109	52	29
16679904	6	6	16713307	54	55	25156407	8	66
16680001	6	3	16713604	10	24	25160300	38	37
16680100	6	1	16713703	52	19	25160409	38	58
16680209	8	61	16714206	34	36	25160409	40	58
16680506	48	8	16714305	36	56	25160508	40	57
16680605	48	7	16714503	16	11	25160607	40	62
16680704	48	6	16715005	12	46	25160706	40	64
16680803	24	2	16715401	12	42	25160805	38	34
16680803	28	35	16715609	4	58	25160904	54	67
16681009	66	14	16715906	2	10	25161001	8	77
16699605	16	20	16716003	2	27	25161100	16	16
16701302	2	38	16716409	6	9	25161407	8	51
16704322	10	12	16716508	4	56	25161506	2	46
16704520	10	9	16717001	18	89	25161605	52	43
16710006	6	33	16717704	2	9	25161704	50	79
16710006	24	46	16717803	2	23	25161803	22	22

NUMERICAL INDEX OF PARTS

PART NO	PAGE	REF NO.	PART NO	PAGE	REF NO.	PART NO	PAGE	REF NO.
25161902	50	84	25212507	64	5	25221201	38	16
25162009	48	42	25212606	62	16	25221409	34	19
25162306	50	80	25212606	64	4	25221508	34	22
25162405	8	55	25212705	62	12	25221607	34	29
25162751	8	79	25212705	64	2	25221904	42	16
25162751	62	19	25214305	6	24	25222308	44	27
25162959	4	51	25215005	6	36	25222407	44	12
25165002	32	1	25215401	10	17	25222506	44	8
25165507	50	66	25215500	12	8	25222605	44	7
25165606	52	17	25215609	52	40	25222803	42	11
25165705	50	67	25215609	58	9	25222902	56	1
25206558	60	9	25215708	38	27	25223009	56	16
25206756	60	11	25215807	38	40	25223405	52	35
25207259	60	10	25216318	54	70	25223801	2	44
25207259	62	13	25216417	38	31	25224007	46	14
25207259	64	3	25216508	16	29	25224106	46	10
25207457	60	13	25216706	8	50	25224205	46	13
25208158	60	1	25217100	18	67	25224304	46	11
25208257	60	8	25217209	18	65	25226200	10	1
25208356	60	12	25217308	18	64	25226309	10	6
25208455	60	3	25217407	18	53	25227208	48	14
25208554	60	4	25217506	18	47	25227406	66	19
25208653	60	6	25217704	66	6	25227604	48	34
25208851	56	31	25217803	12	19	25228511	48	40
25208851	62	10	25218009	22	5	25229915	48	43
25208950	4	67	25218108	22	15	25230301	34	16
25208950	62	2	25218306	24	43	25230400	54	50
25209156	62	9	25218306	28	7	25230509	52	1
25209255	6	30	25218405	24	37	25230608	52	16
25209255	62	8	25218405	28	1	25230806	52	11
25209651	60	14	25218504	24	29	25230905	54	48
25210352	60	2	25218603	28	15	25231002	52	5
25210451	36	79	25218702	28	14	25231101	52	10
25210451	62	4	25218801	24	28	25231200	52	21
25210550	36	64	25219007	24	27	25231408	52	27
25210550	62	5	25219007	28	20	25231507	52	30
25210659	54	85	25219106	24	23	25231705	52	41
25210659	62	6	25219106	28	12	25231804	54	58
25210758	54	86	25219205	22	1	25231903	54	83
25210758	62	7	25219304	32	10	25232000	54	63
25212150	4	61	25219700	32	24	25232109	54	80
25212150	62	21	25220005	32	19	25232208	54	73
25212259	22	20	25220104	34	37	25232315	54	81
25212259	62	20	25220609	32	23	25232406	54	65
25212507	62	11	25221102	38	1	25232505	52	28

NUMERICAL INDEX OF PARTS

PART NO	PAGE	REF NO.	PART NO	PAGE	REF NO.	PART NO	PAGE	REF NO.
25232604	58	16	25242801	16	7	25249103	10	7
25232703	58	12	25243007	50	81	25249707	36	51
25232802	58	18	25243403	6	37	25249855	36	72
25232901	58	17	25243502	2	41	25249905	24	14
25233016	58	5	25243908	16	23	25249905	28	31
25233115	52	4	25244005	42	23	25249954	24	1
25233206	58	7	25244104	34	10	25249954	28	30
25233305	58	11	25244203	34	11	25250002	24	15
25234006	24	36	25244302	34	9	25250002	28	34
25234006	28	29	25244500	34	12	25250002	66	21
25234303	8	52	25244609	34	7	25250101	42	18
25234402	56	25	25244708	34	1	25250200	42	19
25234501	56	4	25244807	42	25	25250309	32	11
25234600	10	8	25244807	66	20	25250408	36	75
25234709	6	46	25245317	48	30	25250507	36	81
25235102	32	31	25245606	48	25	25250606	34	38
25235409	2	1	25245705	50	51	25250705	14	89
25235508	2	35	25245812	50	55	25250804	6	42
25236100	2	15	25245903	50	47	25250903	32	5
25236209	2	13	25246315	48	21	25251000	6	29
25236407	2	39	25246406	48	9	25251109	8	76
25236506	6	5	25246505	48	12	25251109	10	5
25236605	6	13	25246604	50	62	25251208	2	45
25236704	6	23	25246703	50	64	25251406	32	37
25237009	6	31	25246802	50	65	25251505	36	73
25237108	8	58	25246901	50	58	25251604	8	54
25238304	4	54	25247107	50	48	25251604	10	11
25238502	20	2	25247206	50	70	25251802	8	56
25238551	20	1	25247305	50	73	25251901	38	21
25238601	20	5	25247404	50	76	25252008	24	42
25238700	20	3	25247503	58	1	25252008	28	6
25238809	20	10	25247602	38	43	25252107	38	33
25238908	14	71	25247651	38	42	25252206	38	35
25239807	32	27	25247701	38	44	25252305	2	26
25240003	32	39	25247800	40	53	25252404	58	15
25240102	32	36	25247859	40	48	25252503	48	41
25240508	34	14	25247909	40	49	25252602	52	26
25241902	32	30	25248204	6	45	25252701	50	49
25242009	38	6	25248303	44	30~32	25252800	54	77
25242108	38	8	25248402	44	30~32	25252909	34	20
25242207	56	21	25248501	44	30~32	25252909	54	59
25242306	56	2	25248600	48	24	25253006	52	8
25242405	56	19	25248709	48	45	25253105	50	83
25242603	16	4	25248907	50	57	25253204	16	8
25242702	16	33	25249004	10	2	25253303	16	17

NUMERICAL INDEX OF PARTS

PART NO	PAGE	REF NO.	PART NO	PAGE	REF NO.	PART NO	PAGE	REF NO.
25253402	48	61	G5512340000	24	11	NM6050001SC	32	20
25253402	50	61	G5512340000	28	39	NM6050001SC	34	4
25253600	46	30	G5513340000	24	10	NM6050001SC	46	18
25253600	56	23	G5513340000	28	38	NM6050001SC	52	46
25253709	52	34	G5513340000	66	15	NM6050001SC	56	24
25253808	34	24	G5514340000	24	8	NM6050003SC	36	84
25253907	34	21	G5514340000	28	41	NM6050003SC	46	27
25254004	14	60	G5528340000A	34	13	NM6050003SC	52	24
25254202	18	66	G5542340000	24	17	NM6050550SD	52	22
25254301	24	39	G5542340000	28	33	NM6060001SC	2	21
25254301	28	2	G5542340000	66	18	NM6060001SC	16	31
25254509	34	3	G5701340000	66	5	NM6060001SC	34	25
25254608	16	32	G5704340000	66	16	NM6060003SC	10	18
25254707	38	24	G91011160A0	66	2	NM6060003SC	46	8
25254905	38	26	G9119116000	66	4	NM6060003SC	54	76
25381005	38	14	G91201160A0	66	7	NM6080001SC	14	65
A9102062BA0	66	12	HA002510010	6	25	NM6080001SC	18	91
B1109481000	10	14	HF0012030P0	66	11	NM6080001SC	24	40
B1144210000	14	59	HF001501000	62	15	NM6080001SC	28	4
B1150490000	8	53	HF001501000	64	6	NM6080001SC	38	28
B1210761000	12	11	HF001501000	66	10	NM6080003SC	12	38
B3419122000	46	24	HX001650000	6	26	NM6120001SC	6	40
B9101490000	66	8	MDPN10A0000	24	19	NM6201202SC	4	57
B9110012000	66	3	MDPN10A000T	66	1	NM6860001SC	8	57
BT0600400EC	20	4	MSCM2012DA0	14	62	NM7030510SA	18	62
BT0600400EC	22	16	MSCM2012DA0	62	18	NS6120310SP	16	26
CM300100102	4	66	MSCM6010AA0	14	72	RC0150001KP	24	44
CM3002000A1	14	88	MSCM6010AA0	62	14	RC0150001KP	28	8
CM3002000B2	2	37	MSCM80000A0	12	28	RC0150001KP	38	22
CM300200202	32	35	MSCM80000A0	62	17	RC0220001KP	58	3
CM300200301	2	43	MTSP01100B0	14	61	RC0470611KP	50	77
CM300600102	2	42	NM6030001SC	18	71	RC0931011KP	52	47
CM300600102	8	73	NM6030001SC	22	14	RC0931011KP	54	47
CM500300001	14	87	NM6030003SC	6	43	RC1200001KP	12	84
D6056555B00	14	90	NM6030003SC	10	20	RC1200001KP	14	84
D8113555B00	14	76	NM6040001SC	8	68	RC1200001KP	38	25
D8115555B00	14	78	NM6040001SC	16	42	RC1200001KP	52	38
G1211870000	40	56	NM6040001SC	32	12	RC2600002KP	56	13
G5181340000	52	23	NM6040001SC	42	5	RC3200002KP	24	26
G5503340000	24	16	NM6040001SD	18	78	RC3200002KP	28	22
G5503340000	28	32	NM6040003SC	20	6	RC3700002KP	14	53
G5506340000	24	13	NM6040003SC	48	71	SB105000300	44	5
G5506340000	28	36	NM6040003SC	50	71	SB110000400	52	39
G5507340000	24	12	NM6050001SC	4	65	SB110000400	56	14
G5507340000	28	37	NM6050001SC	16	41	SB110000400	58	8

NUMERICAL INDEX OF PARTS

PART NO	PAGE	REF NO.	PART NO	PAGE	REF NO.	PART NO	PAGE	REF NO.
SB112000200	12	5	SM6041502TP	16	45	SM6062002TP	34	2
SB112000200	40	61	SM6041502TP	22	7	SM6062002TP	40	66
SB112000200	54	79	SM6041502TP	48	53	SM6062002TP	44	20
SB115000400	24	25	SM6041502TP	50	53	SM6062002TP	46	17
SB115000400	28	21	SM6041802TP	52	32	SM6062002TP	54	52
SB115000400	38	41	SM6042002TP	14	83	SM6062002TP	56	17
SB120000200	12	14	SM6042002TP	36	74	SM6062502TP	14	57
SK3382001SC	2	7	SM6042502TP	40	50	SM6062502TP	24	30
SM0040601SC	38	5	SM6044002TP	40	59	SM6062502TP	28	16
SM0040801SC	6	27	SM6050802TP	10	28	SM6062502TP	34	30
SM0041001SC	6	17	SM6050802TP	40	52	SM6062502TP	54	74
SM0041001SC	32	40	SM6051002TP	4	52	SM6063002TP	24	38
SM0041201SA	8	70	SM6051002TP	40	51	SM6063002TP	28	3
SM0050801SC	2	55	SM6051002TP	44	2	SM6063002TP	38	18
SM0050801SC	4	55	SM6051002TP	46	26	SM6063002TP	46	12
SM0860501SC	8	67	SM6051002TP	56	3	SM6081552TP	14	79
SM1040601SP	12	25	SM6051202TP	2	31	SM6082002TN	42	17
SM1040852TP	2	11	SM6051202TP	12	45	SM6082502TP	12	63
SM4040601SC	6	78	SM6051202TP	32	2	SM6082502TP	14	63
SM4040601SC	8	78	SM6051202TP	44	16	SM6082502TP	22	2
SM6030602TP	22	23	SM6051202TP	50	63	SM6082502TP	32	6
SM6030602TP	34	17	SM6051202TP	52	45	SM6083002TP	12	21
SM6030802TP	32	18	SM6051202TP	56	22	SM6083002TP	32	32
SM6031002TP	22	13	SM6051552TP	2	32	SM6083002TP	38	11
SM6031002TP	32	28	SM6051552TP	36	77	SM6086002TP	16	18
SM6031502TP	50	52	SM6051552TP	52	13	SM6103002TP	2	29
SM6032002TP	38	45	SM6051552TP	58	19	SM6104002TP	6	39
SM6040502TP	18	76	SM6051802TP	36	59	SM6104002TP	56	29
SM6040602TP	42	3	SM6051802TP	38	38	SM6123002TP	8	72
SM6040802TP	8	47	SM6051802TP	46	15	SM8030302TP	18	83
SM6040802TP	36	70	SM6052002TP	12	31	SM8030302TP	50	82
SM6040802TP	56	26	SM6052002TP	24	35	SM8030502TP	32	29
SM6041002TP	4	47	SM6052002TP	28	28	SM8030502TP	44	26
SM6041002TP	6	38	SM6052502TP	12	2	SM8030802TP	6	44
SM6041002TP	18	61	SM6052502TP	18	49	SM8030802TP	10	21
SM6041002TP	40	47	SM6052502TP	54	56	SM8040502TP	16	57
SM6041002TP	44	9	SM6061002TP	4	49	SM8040502TP	18	57
SM6041002TP	48	74	SM6061002TP	8	59	SM8040502TP	38	65
SM6041002TP	50	74	SM6061202TP	4	59	SM8040502TP	40	65
SM6041002TP	52	68	SM6061202TP	52	9	SM8040502TP	42	24
SM6041002TP	54	68	SM6061552TP	14	73	SM8040502TP	44	25
SM6041202TP	8	62	SM6061802TP	46	2	SM8040502TP	52	7
SM6041202TP	12	30	SM6062002TP	6	20	SM8040502TP	58	14
SM6041202TP	40	46	SM6062002TP	12	36	SM8040602TP	50	60
SM6041202TP	48	3	SM6062002TP	16	30	SM8040802TP	34	82

NUMERICAL INDEX OF PARTS

PART NO	PAGE	REF NO.	PART NO	PAGE	REF NO.	PART NO	PAGE	REF NO.
SM8040802TP	36	82	SS8110510SP	48	5	WS0410002KN	18	60
SM8040802TP	42	10	SS8660612TP	18	55	WS0410002KN	20	7
SM8040802TP	44	13	SS8660612TP	36	47	WS0410002KN	22	6
SM8050502TP	16	15	SS9111010SP	46	7	WS0410002KN	36	71
SM8050602TP	16	13	SS9182010SN	46	23	WS0410002KN	40	60
SM8050602TP	36	54	ST4041621SN	2	3	WS0410002KN	44	29
SM8050602TP	42	26	WP0280500SC	8	64	WS0410002KN	48	75
SM8050602TP	52	84	WP0320501SC	2	4	WS0410002KN	50	75
SM8050602TP	54	84	WP0320501SC	22	24	WS0410002KN	52	69
SM8050602TP	56	20	WP0430801SC	6	69	WS0410002KN	54	69
SM8050802TP	38	32	WP0430801SC	8	69	WS0410002KN	56	27
SM8050812TP	16	2	WP0430801SC	18	59	WS0510002KN	2	53
SM8050812TP	38	2	WP0430801SC	20	8	WS0510002KN	4	53
SM8051002TP	54	66	WP0430801SC	32	34	WS0510002KN	6	15
SM8060552TP	24	31	WP0430801SC	44	28	WS0510002KN	12	44
SM8060552TP	28	17	WP0430801SC	56	28	WS0510002KN	16	40
SM8060602TP	34	33	WP0430801SE	18	77	WS0510002KN	32	21
SM8060802TP	12	56	WP0531001SC	2	34	WS0510002KN	34	83
SM8060802TP	14	56	WP0531001SC	6	16	WS0510002KN	36	83
SM9040803SD	6	10	WP0531001SC	32	15	WS0510002KN	38	39
SM9041003SD	44	6	WP0531001SC	34	6	WS0510002KN	44	17
SM9051603SD	6	14	WP0531001SC	42	13	WS0510002KN	52	25
SM9051603SD	34	43	WP0531001SC	44	18	WS0610002KN	4	63
SM9061003SC	4	62	WP0531001SC	52	15	WS0610002KN	6	60
SM9085013SC	14	67	WP0621016SH	24	18	WS0610002KN	8	60
SS2090510SP	10	3	WP0621016SH	30	47	WS0610002KN	12	74
SS3090810SL	14	82	WP0641601SC	4	64	WS0610002KN	14	74
SS4060310SP	22	19	WP0641601SC	6	22	WS0610002KN	34	31
SS4090515SP	10	26	WP0641601SC	14	85	WS0610002KN	38	67
SS4090610SP	6	2	WP0641601SC	34	32	WS0610002KN	40	67
SS4090815SP	10	30	WP0641601SC	44	22	WS0610002KN	44	21
SS6060220SP	10	15	WP0641601SC	56	12	WS0610002KN	46	9
SS6080810SP	48	36	WP0841601SC	10	27	WS0610002KN	54	75
SS6081210SP	18	86	WP0841601SC	12	68	WS0610002KN	56	18
SS6081210SP	50	68	WP0841601SC	14	68	WS0820002KN	12	80
SS6090810SP	24	22	WP0841601SC	32	16	WS0820002KN	14	80
SS6090810SP	28	26	WP0841601SC	38	30	WS0820002KN	22	3
SS6090810SP	48	13	WP1302500SC	8	74	WS0820002KN	24	41
SS6090810SP	52	18	WS0310002KN	18	63	WS0820002KN	28	5
SS6121010SP	42	2	WS0310002KN	34	18	WS0820002KN	32	33
SS6121210SP	10	4	WS0310002KN	50	54	WS0820002KN	38	29
SS6121210SP	16	24	WS0410002KN	4	48	WS1020002KN	2	30
SS7111120SP	50	69	WS0410002KN	6	63	WS1020002KN	56	30
SS7111410SP	42	12	WS0410002KN	8	63	WS1220002KN	6	75
SS7120410TP	6	7	WS0410002KN	16	60	WS1220002KN	8	75