

MODEL : LK-1941/LK-1942

List No : 1283-10

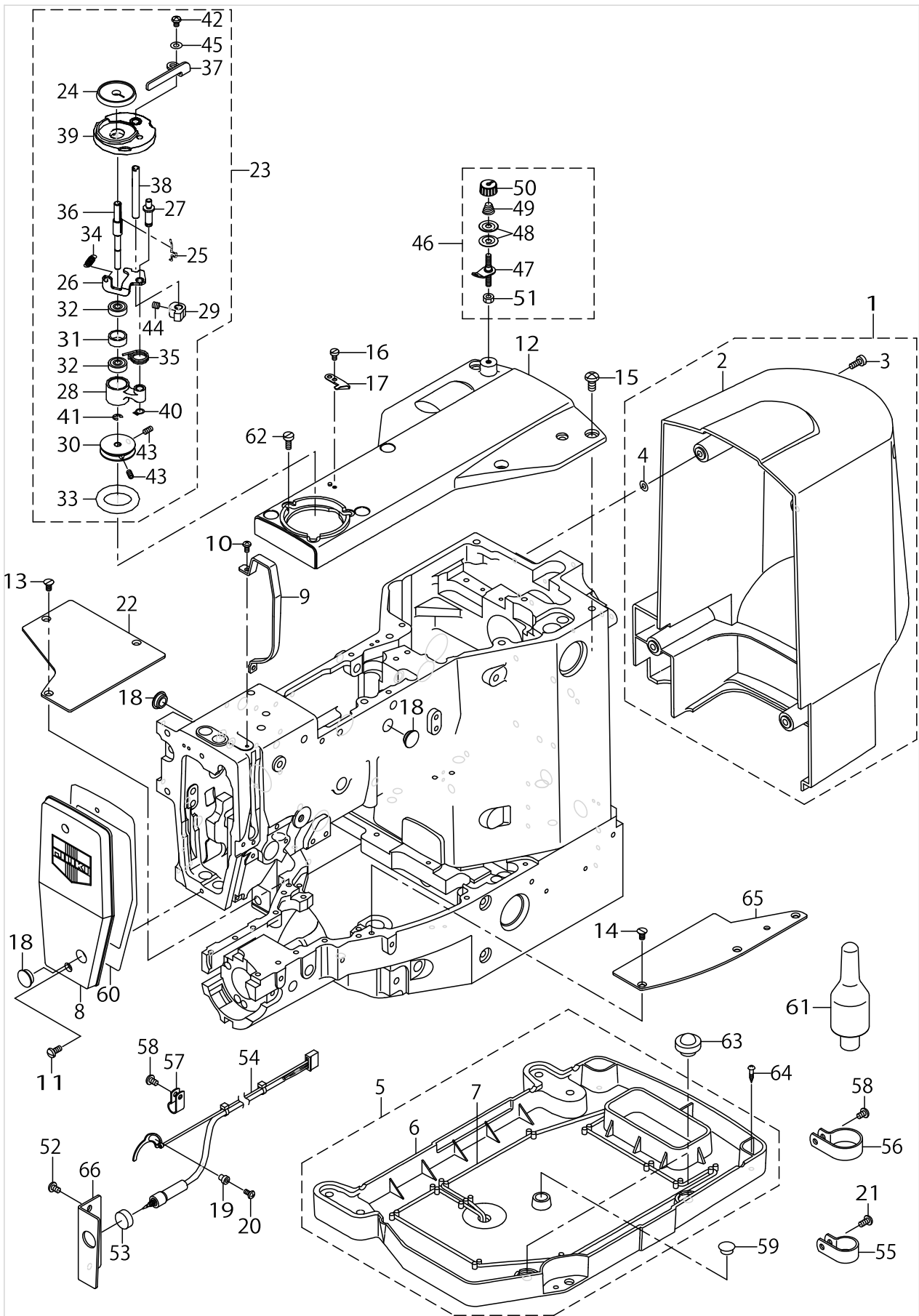
PARTS LIST

Published:05/12/2017

CONTENTS

FRAME & MISCELLANEOUS COVER COMPONENTS(1).....	1
FRAME & MISCELLANEOUS COVER COMPONENTS(2).....	5
MAIN SHAFT & NEEDLE BAR COMPONENTS.....	9
PRESSER LIFTER COMPONENTS.....	13
PRESSER MECHANISM COMPONENTS(FOR LK-1942).....	15
SHUTTLE DRIVER SHAFT & HOOK SHAFT COMPONENTS.....	19
WIPER MECHANISM COMPONENTS.....	23
TENSION RELEASE & THREAD TENSION COMPONENTS.....	25
TENSION RELEASE & THREAD TRIMMER MECHANISM COMPONENTS(1).....	29
TENSION RELEASE & THREAD TRIMMER MECHANISM COMPONENTS(2).....	33
FEED MECHANISM COMPONENTS.....	37
CLOTH FEED MECHANISM COMPONENTS.....	41
LUBRICATION COMPONENTS.....	43
THREAD STAND COMPONENTS (EXCEPT FOR AW-2D).....	47
CONTROL BOX COMPONENTS.....	49
OPERATION BOX & PEDAL COMPONENTS.....	53
HEATER UNIT COMPONENTS (Z TYPE).....	55
EXTENSION CABLE COMPONENTS.....	57
WIRING DIAGRAM.....	59
ACCESSORIE PART COMPONENTS.....	61
TABLE COMPONENTS (EXCEPT FOR AW-2D).....	65
OPTIONAL PART COMPONENTS(1).....	67
OPTIONAL PART COMPONENTS(2).....	71
LIST FOR INFORMATION OF CHANGE.....	73
HOW TO MAKE USE OF THIS PARTS LIST.....	74

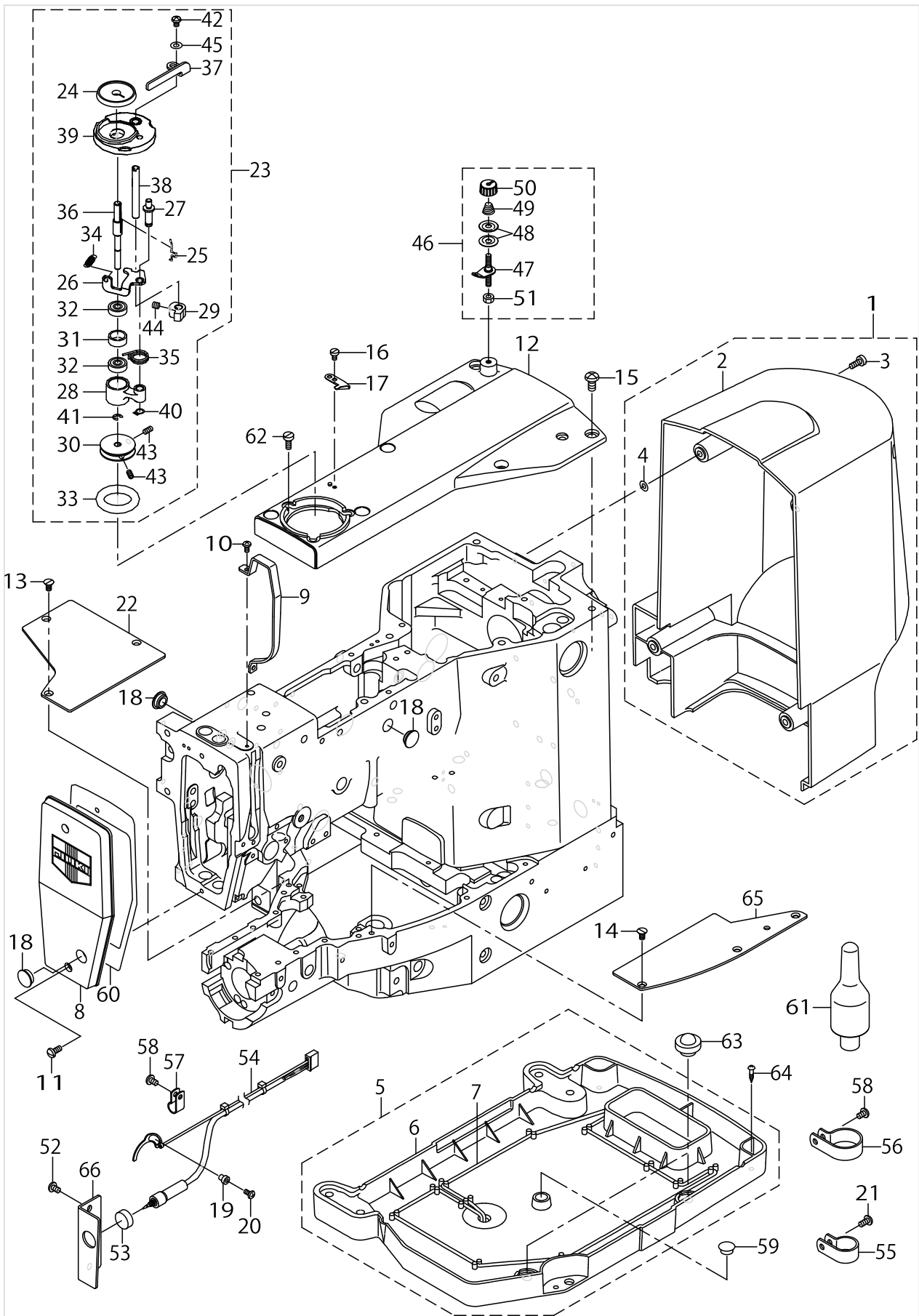
FRAME & MISCELLANEOUS COVER COMPONENTS(1)



FRAME & MISCELLANEOUS COVER COMPONENTS(1)

No.	Supply Code	Parts No.	Replacement	Parts name	Remarks	Choice	Step	Level	Cons	Qty	Rep. QTY
1		14100457		MOTOR COVER ASM.						1	
2	R	14100408	14100457	MOTOR COVER				*		1	1.00
3		SS6111140SP		SCREW11/64-40L=11				*		4	
4		M8002430000		STOPPER				*		4	
5		14100754		OIL PAN ASM.						1	
6	R	14100705	14100754	OIL PAN				*		1	1.00
7		CQ252200000		OIL WICK				*		1	
8		26211755		FACE COVER ASM.						1	
9		40030828		THREAD_TAKE_UP_LEVER_COVER						1	
10		SS4090715SP		SCREW 9/64-40 L=7						2	
11		SS4111015SP		SCREW11/64-40L=10						2	
12		14100309		TOP COVER						1	
13		SS1110840SP		SCREW 11/64-40 L=8						3	
14		SS1110840SP		SCREW 11/64-40 L=8						3	
15		SS4151215SP		SCREW15/64-28L=12						6	
16		SS4090715SP		SCREW 9/64-40 L=7						1	
17		10502300		THREAD CUTTER						1	
18		TA1250406R0		RUBBER PLUG D=12.5 L=4						3	
19		B2703210000		BUSHING						1	
20		SS4090715SP		SCREW 9/64-40 L=7						1	
21		SS4110915SP		SCREW 11/64-40 L=9						1	
22		14200802		BED COVER A						1	
23		40020225		BOBBINWINDERUNIT						1	
24	R	14443006	40020225	BOBBIN SEAT				*		1	1.00
25		14443105		BOBBIN STOPPER SPRING				*		1	
26		26260208		BTW_CAM_PLATE				*		1	
27		26260307		BTW_BASE_SHAFT				*		1	
28		26260406		BTW_SHAFT_BASE				*		1	
29		26260505		BTW_CAM_LEVER				*		1	
30		26260604		BTW_WHEEL				*		1	
31	R	26260802	26260000	BTW_BEARING_SPACER				*		1	1.00
32	R	26261305	26260000	BTW_BEARING				*		2	1.00
33		26261503		BTW_WHEEL_RUBBER				*		1	
34		26261701		BTW_SPRING				*		1	
35		40011144		BTW_TORSION_SPRING				*		1	
36		40022222		BTW SHAFT				*		1	
37		40022224		BTW LEVER				*		1	
38		40222225		BTW_LEVER_SHAFT				*		1	
39		40022226		BTW BASE				*		1	
40		RC0560711KP		RETAINING RING				*		1	
41		RE0400000K0		E-RING 4				*		1	
42		SM5030655SN		SCREW M3X0.5 L=6				*		1	
43		SM8040802TP		SCREW M4X8				*		2	
44		SM8050502TP		SCREW M5 L=5				*		1	
45		WP0330516SC		WASHER 3.3X8X0.5				*		1	
46		23636657		BOBBIN THREAD TENSION ASM.						1	

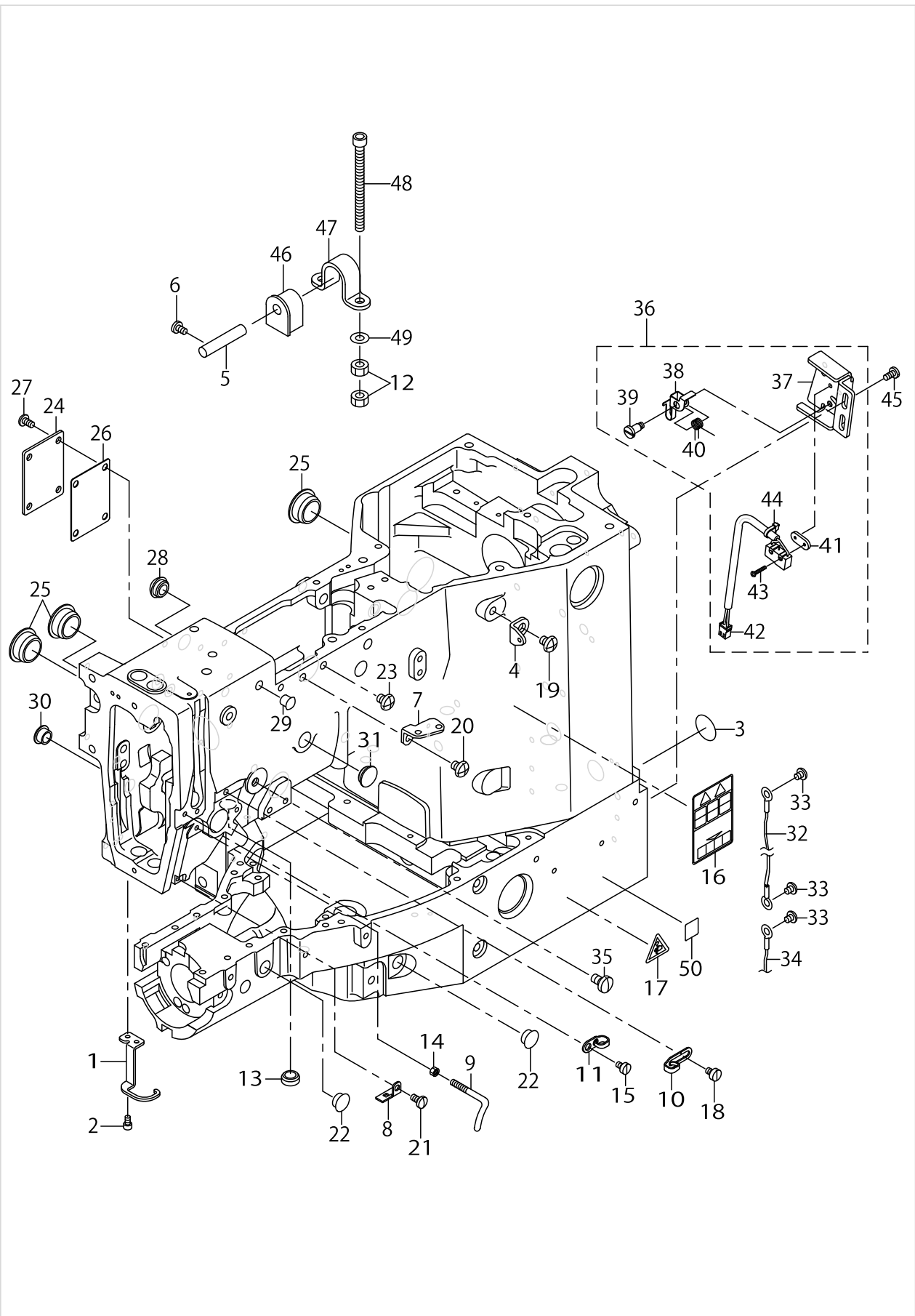
FRAME & MISCELLANEOUS COVER COMPONENTS(1)



FRAME & MISCELLANEOUS COVER COMPONENTS(1)

No.	Supply Code	Parts No.	Replacement	Parts name	Remarks	Choice	Step	Level	Cons	Qty	Rep. QTY
47		14113450		BOBBIN THREAD T- ENSION ROD ASM.				*		1	
48	R	B3126012000	22921506	THREAD TENSION DISK				*		2	1.00
49		D7133555B00		CONNECTING ROD SPRING				*		1	
50		11072402		THREAD TENSION NUT				*		1	
51		NS6110530SP		NUT 11/64-40				*		1	
52		SS4110715SP		SCREW 11/64-40 L=7						2	
53		HA001690010		SWITCH						1	
54		14220750		SWITCH CABLE ASM.						1	
55		HX00150000N		CABLE CLIP						1	
56		HX00150000J		CLIP						1	
57		HX00150000E		CORD PRESSER 3-- POLE (220/240V)						3	
58		SS4110715SP		SCREW 11/64-40 L=7						4	
59		TA1050504R0		RUBBER PLUG						1	
60		13502307		FACE PACKING						1	
61		14101208		HEAD SUPPORT BAR						1	
62		SS6111140SP		SCREW 11/64-40 L=11						3	
63		B1116210D00		FRAME SUPPORT RUBBER						2	
64		SK3382001SE		SCREW D=3.8 L=20						4	
65		14200901		BED COVER B						1	
66		14220503		SWITCH INSTALLING PLATE						1	

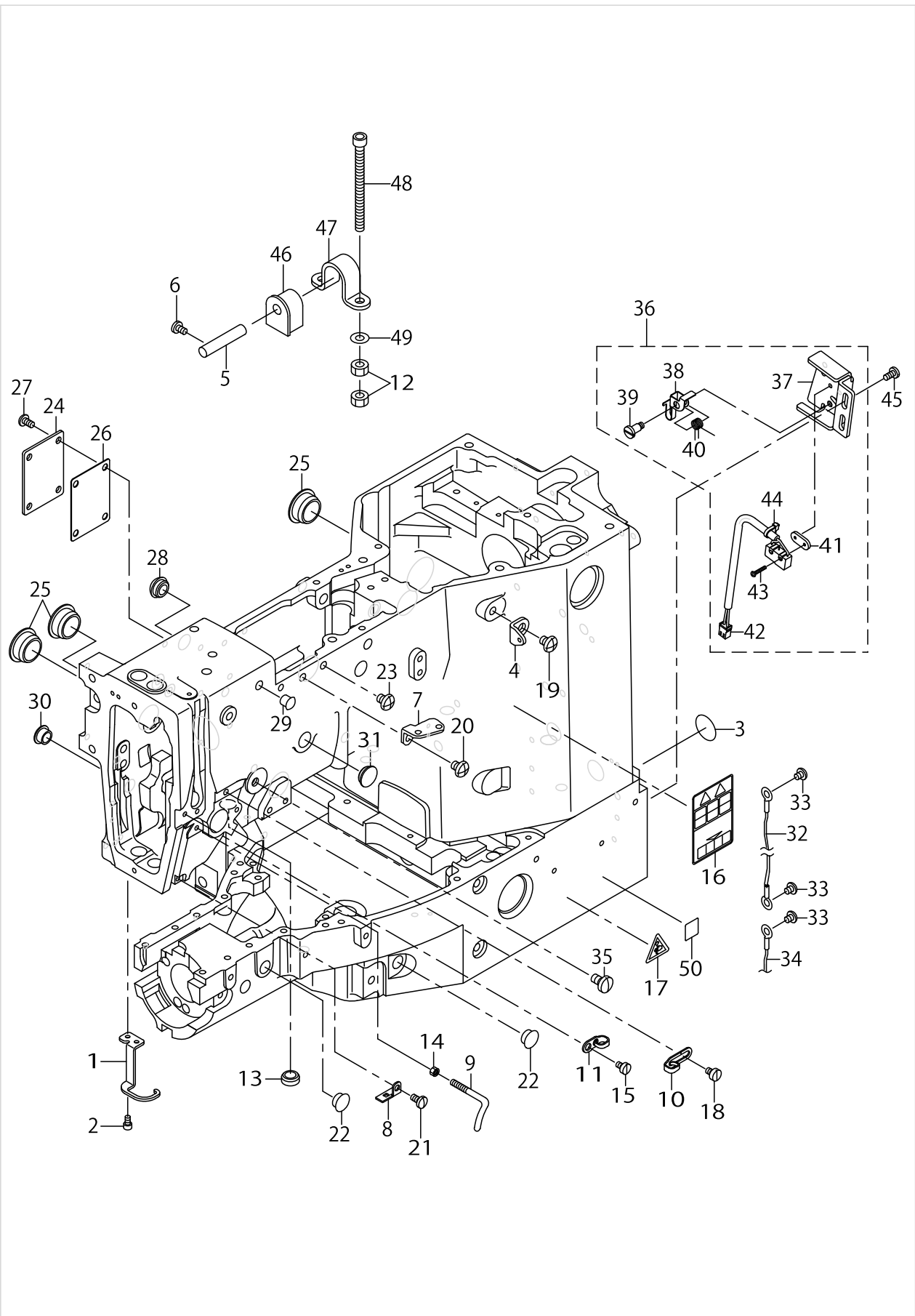
FRAME & MISCELLANEOUS COVER COMPONENTS(2)



FRAME & MISCELLANEOUS COVER COMPONENTS(2)

No.	Supply Code	Parts No.	Replacement	Parts name	Remarks	Choice	Step	Level	Cons	Qty	Rep. QTY
1		14201602		FINGER GUARD(1910)	FOR LK-1941					1	
2		SS6090612TP		SCREW 9/64-40 L=6	FOR LK-1941					2	
3		22901805		GROUND MARK						1	
4		40010414		THREAD_GUIDE_NO.1						1	
5		40009290		HINGE STUD						2	
6		SS7110730SP		SCREW 11/64-40 L=6.5						2	
7		26211904		THREAD GUIDE PLATE						1	
8		B1129210000		FRAME THREAD GUIDE (B)						1	
9		B1125215P00		L-SHAPED THREAD GUIDE						1	
10		22920508		ARMTHREADGUIDEA						1	
11		13705108		TAKE-UP THREAD GUIDE B						1	
12		NM6060001SC		NUT M6						8	
13		TA1270502R0		RUBBER PLUG	EXCEPT H TYPE					1	
14		11404308		NUT						1	
15		SS6110610TP		SCREW 11/64-40 L=6						1	
16		CM301200001		SAFETY LABEL_S						1	
17		CM300200002		CAUTION LABEL(25)						3	
18		SS6110610TP		SCREW 11/64-40 L=6						1	
19		SS4150715SP		SCREW 15/64-28 L=7						1	
20		SS4150715SP		SCREW 15/64-28 L=7						1	
21		SS7110840SP		SCREW 11/64-40 L=7.8						1	
22		TA1050504R0		RUBBER PLUG						2	
23		SS4150715SP		SCREW 15/64-28 L=7						1	
24		B1123210D00		COVER						1	
25		TA2100904R0		RUBBER PLUG						3	
26		B1125210D00		COVER GASKET						1	
27		SS4110815SP		SCREW 11/64-40 L=8						4	
28		TA1250406R0		RUBBER PLUG D=12.5 L=4	H TYPE					1	
29		TA0750704R0		RUBBER PLUG	H TYPE					2	
30		TA1050504R0		RUBBER PLUG	FOR LK-1942					1	
31		TA1250406R0		RUBBER PLUG D=12.5 L=4	FOR LK-1942					1	
32		14115653		HEAD GROUND CABLE B ASM.						1	
33		SS4110515SP		SCREW 11/64-40 L=5						3	
34		M90195800A0		EARTH CABLE ASM.						1	
35		SS7161040SP		SCREW 1/4-24 L= 9.5	H TYPE					1	
36		14442552		SAFETY SWITCH ASM.						1	
37	R	14442503	14442552	SAFETY SWITCH BASE				*		1	1.00
38		23638109		SAFETY SWITCH ARM				*		1	
39		23638307		SAFETY SWITCH ARM SHAFT				*		1	
40	R	23638208	23638059	SAFETY SWITCH SPRING				*		1	1.00
41	R	23638406	23638059	SAFETY SWITCH NUT				*		1	1.00
42		14442651		SAFETY SWITCH CORD ASM.				*		1	
43		SM4021201SC		SCREW M2 L=12				*		2	
44		EA9500B0100		CABLE BAND				*		1	
45		SS7110840SP		SCREW 11/64-40 L=7.8						2	
46		B1115210D00		HINGE RUBBER						2	

FRAME & MISCELLANEOUS COVER COMPONENTS(2)



FRAME & MISCELLANEOUS COVER COMPONENTS(2)

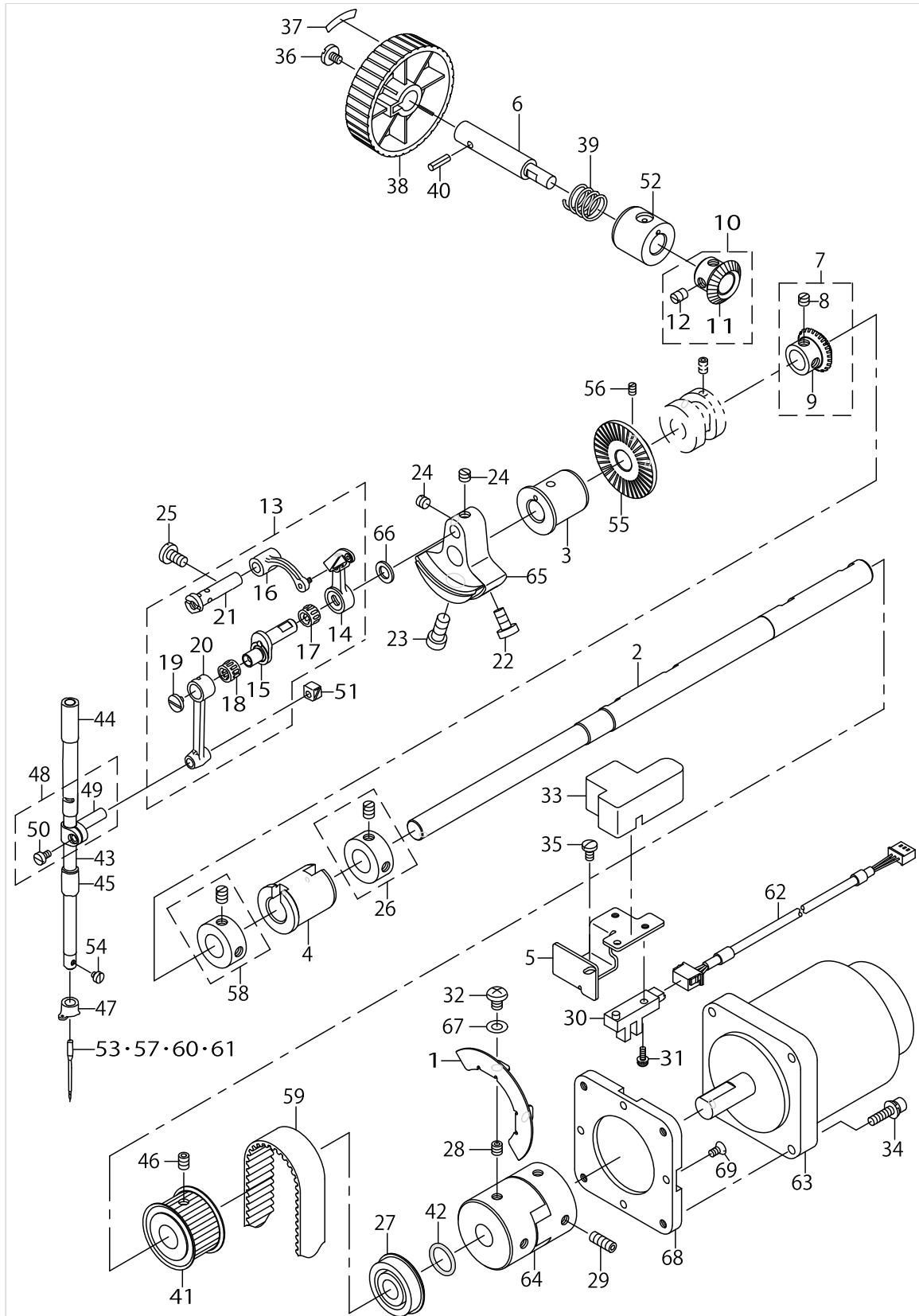
No.	Supply Code	Parts No.	Replacement	Parts name	Remarks	Choice	Step	Level	Cons	Qty	Rep. QTY
47		B1111210D00		BED HINGE						2	
48		SM6067552TP		HEXAGONAL-HOLE BOLT M6 L=75						4	
49		WP0651646SC		WASHER						4	
50		CM600100101		WEEE MARK LABEL S	FOR JE					1	

MAIN SHAFT & NEEDLE BAR COMPONENTS

No.	Supply Code	Parts No.	Replacement	Parts name	Remarks	Choice	Step	Level	Cons	Qty	Rep. QTY
1		14102404		MAIN SHAFT SLIT PLATE						1	
2		14431407		MAIN SHAFT						1	
3		B1202210000		BUSHING, FRONT						1	
4		B1203215000		BUSHING INNER						1	
5		14102503		SENSOR INSTALLING BASE						1	
6		14431704		NEAR PULLEY SHAFT						1	
7		14431852		NEAR PULLEY GEAR A ASM.						1	
8		SS8660330SP		SCREW 1/4-40 L=3.0				*		2	
9		14431803		HANDPULLEYGEARA				*		1	
10		B13061550A0		PINION ASM.						1	
11	R	B1306155000	B13061550A0	PINION				*		1	1.00
12		SS8660810TP		SCREW 1/4-40 L=8				*		2	
13		14432157		THREAD TAKE-UP LEVER ASM.						1	
14		B1901210DA0		THREAD TAKE-UP LEVER COMPL.				*		1	
15	D	14432009		NEEDLE BAR CRANK				*		1	
16	R	B1903210000	B19012100C0	THREAD TAKE-UP CRANK				*		1	1.00
17	R	B1905541000	B1905541A00	NEEDLE BUSHING		A		*		1	1.00
17	R	B1905541000	B1905541B00	NEEDLE BUSHING		B		*		1	1.00
17	R	B1905541000	B1905541C00	NEEDLE BUSHING		C		*		1	1.00
17	R	B1905541000	B1905541D00	NEEDLE BUSHING		D		*		1	1.00
18	R	B1411804000	B1411804A00	NEEDLE DRIVING LEVER BEARING		A	A:	*		1	1.00
18	R	B1411804000	B1411804B00	NEEDLE DRIVING LEVER BEARING		B	B:	*		1	1.00
18	R	B1411804000	B1411804C00	NEEDLE DRIVING LEVER BEARING		C	C:	*		1	1.00
18	R	B1411804000	B1411804D00	NEEDLE DRIVING LEVER BEARING		D	D:	*		1	1.00
19		B1903552000		LEFT SCREW				*		1	
20		B1404280000		NEEDLE BAR CRANK ROD				*		1	
21		B1904280000		BALANCE CRANK PIN				*		1	
22		SS6151412TP		SCREW15/64-28L=14						1	
23		SS6681712TP		SCREW 9/32-28 L=16.5						1	
24		SS8660512TP		SCREW 1/4-40 L=5						2	
25		SS7151120SP		SCREW15/64-28L=11						1	
26		22904155		MAIN SHAFT THRU-ST COLLAR ASM.						1	
27		G1216870000		UPPER SHAFT REAR BEARING						1	

A:ローラー径2φ公差0~-0.002/A:ROLLER diameter2φtolerance0~-0.002
 B:ローラー径2φ公差-0.002~-0.004/B:ROLLER diameter2φtolerance-0.002~-0.004
 C:ローラー径2φ公差-0.004~-0.006/C:ROLLER diameter2φtolerance-0.004~-0.006
 D:ローラー径2φ公差-0.006~-0.008/D:ROLLER diameter2φtolerance-0.006~-0.008

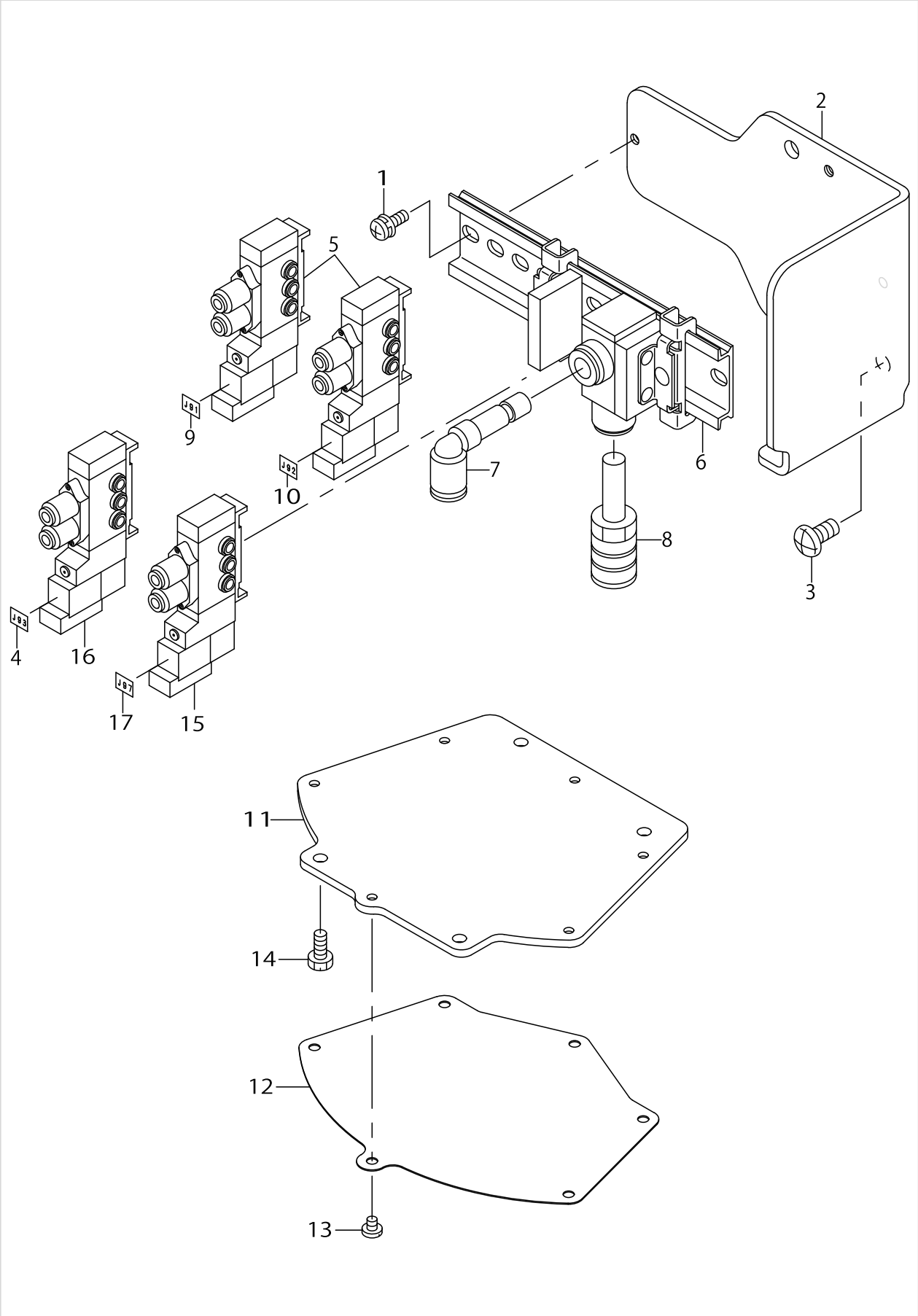
MAIN SHAFT & NEEDLE BAR COMPONENTS



MAIN SHAFT & NEEDLE BAR COMPONENTS

No.	Supply Code	Parts No.	Replacement	Parts name	Remarks	Choice	Step	Level	Cons	Qty	Rep. QTY
28		SM8060612TP		SCREW M6 L=6						2	
29		SM8061612TP		SCREW M6X16						2	
30		HD002230000		PHOTO SENSOR						1	
31		SL4041291SC		SCREW M4 L=12						1	
32		SM4060801SE		SCREW						2	
33		14114508		MAIN SHAFT SENSOR COVER						1	
34		SL6052092TN		SCREW						4	
35		SS7110840SP		SCREW 11/64-40 L=7.8						1	
36		A1230500000A		HANDWHEEL SETSCREW						1	
37		B1144210000		REVOLVING DIRECTION LABEL						1	
38		B1212210D00		PULLEY						1	
39		GAF01007000		SPRING						1	
40		PS0400142KH		SPRING PIN 4X14						1	
41		14404107		DRIVING SPROCKET						1	
42		RO154240100		RUBBER RING						1	
43		14432702		NEEDLE ROD						1	
44		26203208		NEEDLE ROD METAL						1	
45		B1403280000		NEEDLE ROD LOWER METAL						1	
46		SM8060812TP		SCREW M6 L=8						2	
47	R	B1406210000	40026884	THREAD GUIDE						1	1.00
48		22906457		NEEDLE BAR HOLDER ASM.						1	
49	R	22906408	22906457	NEEDLERODHOLDER				*		1	1.00
50		SS6090670TP		SCREW 9/64-40 L=6				*		1	
51		B1414232000		SQUARE BLOCK						1	
52		26212803		UPPER SHAFT INNER METAL						1	
53		MDP170B2500		NEEDLE DPX17 #25	Z TYPE(FO- R USE IN JAPAN)					1	
54		SS7080510TP		SCREW 1/8-44 L=4.5						1	
55		40026917		BTW DRIVING WHEEL						1	
56		SM8040600SP		SCREW						2	
57		MDP170B1800		NEEDLE DPX17 #18	H TYPE					1	
58		GS147121ESH		THRUST COLLAR A- SM.D=14.72 W=12						1	
59		14431605		TIMING BELT						1	
60		MDP170B2300		NEEDLE DPX17 #23	G TYPE					1	
61		MDP170B2600		NEEDLE DPX17 #26	Z TYPE(FO- R EXPORT)					1	
62		14115356		UPPER SHAFT SEN- SOR CABLE ASM.						1	
63		40053326		SERVO MOTOR 550W						1	
64		B1231210D00		COUPLING						1	
65		14431902		COUNTER WEIGHT						1	
66		B1223771000		NEEDLE ROD CRANK WASHER						1	
67		WS0610002KN		SPRING WASHER 6.1X12.2X1.5						2	
68		40045548		MOTOR INSTALLING BRACKET						1	
69		SS1110840SP		SCREW 11/64-40 L=8						4	

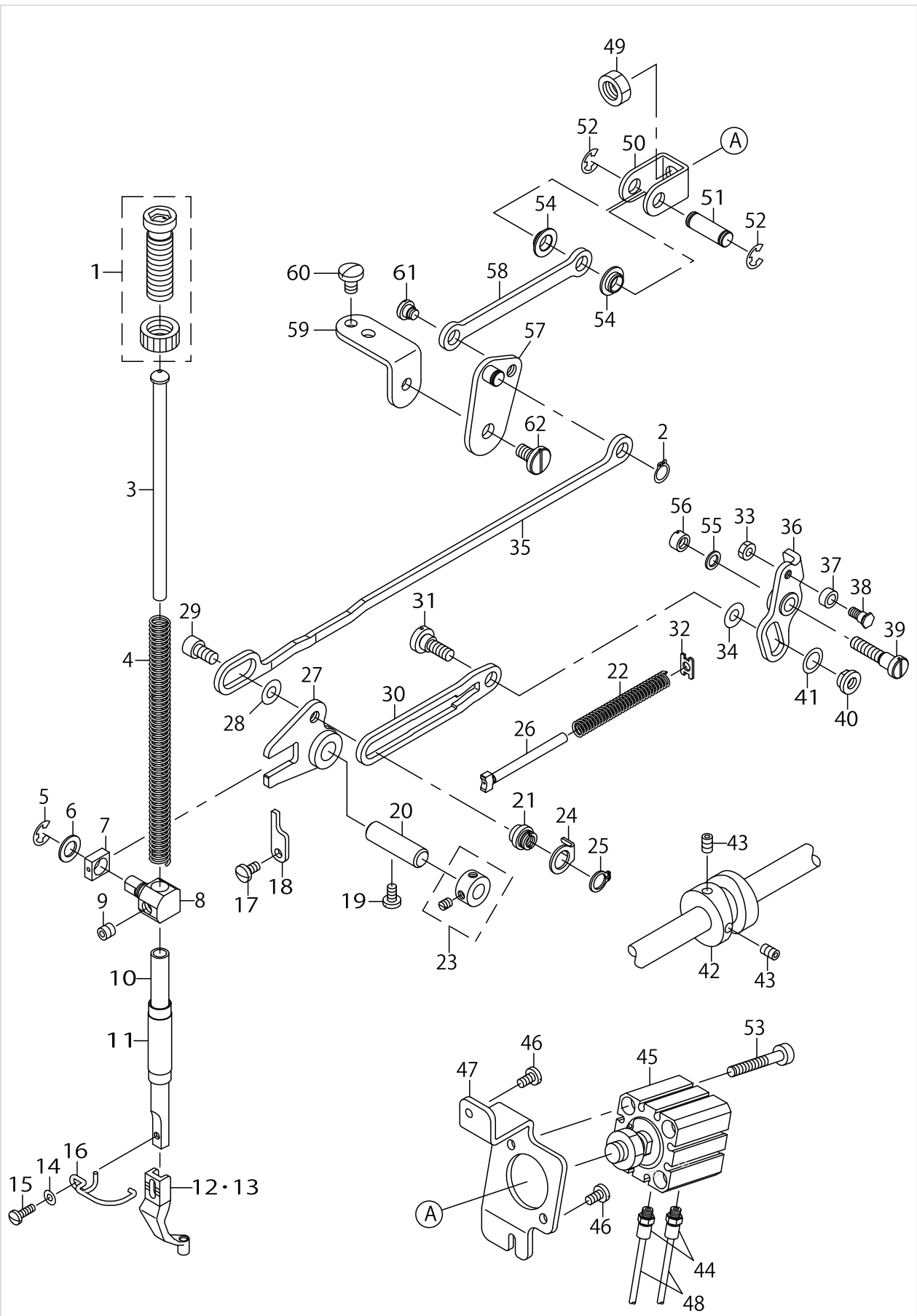
PRESSER LIFTER COMPONENTS



PRESSER LIFTER COMPONENTS

No.	Supply Code	Parts No.	Replacement	Parts name	Remarks	Choice	Step	Level	Cons	Qty	Rep. QTY
1		SL4041291SC		SCREW M4 L=12						2	
2		14204911		FITTING BASE						1	
3		SS4151215SP		SCREW15/64-28L=12						2	
4		E2993453000		CONNECTOR MAKER J93						1	
5		PV150209000		5 PORT SOLENOID VALVE						2	
6		PV915005000		SOLENOID VALVE I- NSTALLING BASE						1	
7		PJ304060001		ELBOW						1	
8		PX050003000		SILENCER						1	
9		E2691453000		CONNECTOR MAKER J91						1	
10		E2692453000		CONNECTOR MAKER J92						1	
11		14203806		PRESSERPLATE(AIR)						1	
12		14203905		PRESSER PLATE SHEET						1	
13		SS7090410SP		SCREW 9/64-40 L=3.5						6	
14		SS9111010SP		SCREW 11/64-40 L=9.5						4	
15		PV150209000		5 PORT SOLENOID VALVE						1	
16		PV150209000		5 PORT SOLENOID VALVE	FOR LK-1942					1	
17		E2697453000		CONNECTOR MAKER J97						1	

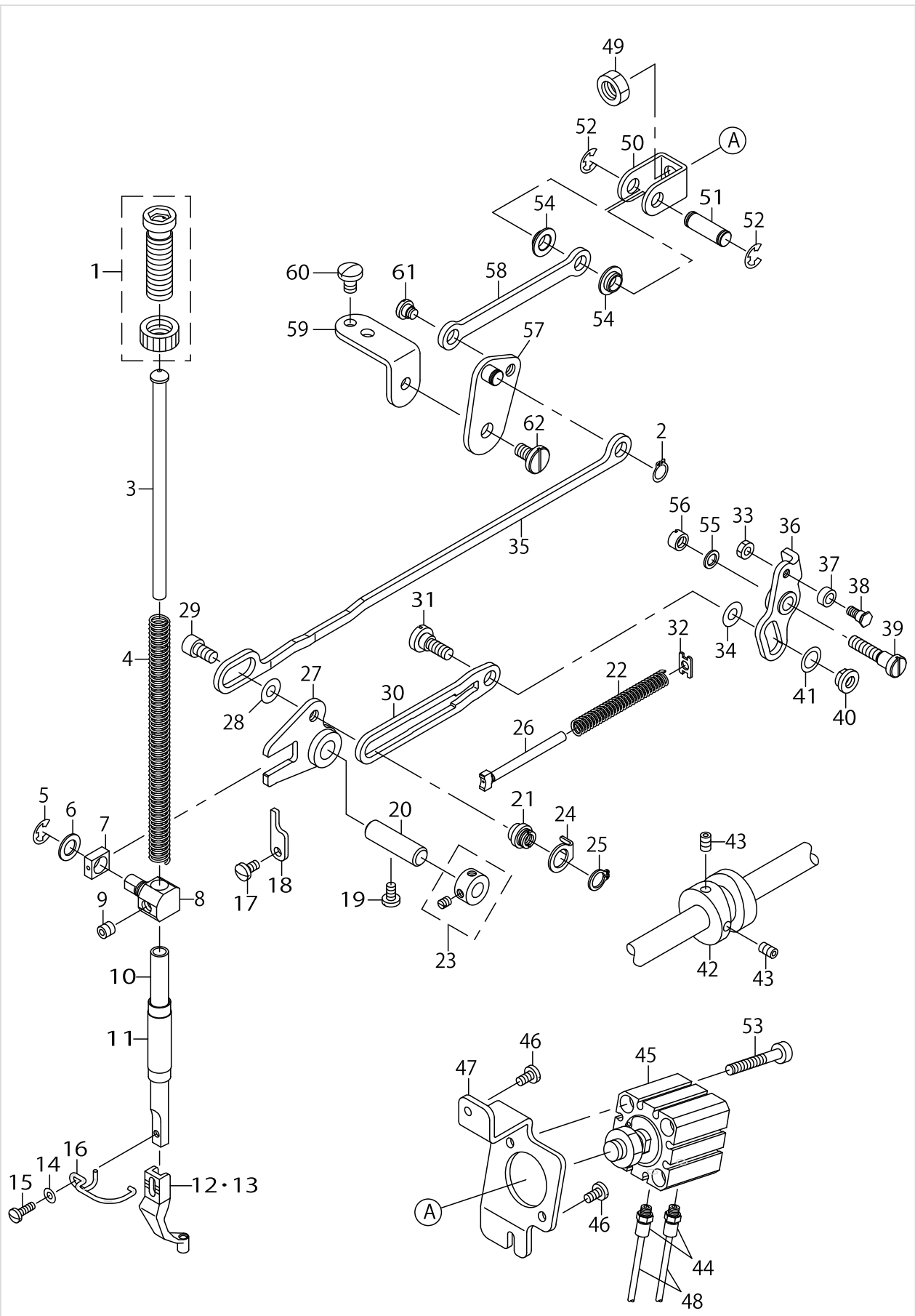
PRESSER MECHANISM COMPONENTS(FOR LK-1942)



PRESSER MECHANISM COMPONENTS(FOR LK-1942)

No.	Supply Code	Parts No.	Replacement	Parts name	Remarks	Choice	Step	Level	Cons	Qty	Rep. QTY
1		22907554		PRESSER SPRING REGULATOR ASM.						1	
2		RC0740811KP		C-RING						1	
3		40023631		PRESSER GUIDE BAR						1	
4		14434500		INNER PRESSER SPRING						1	
5		RE0600000K0		E-RING 6						1	
6		B255728000B		WASHER						1	
7		22684906		NEEDLE BAR GUIDE BLOCK						1	
8		14434609		INNER PRESSER BAR HOLDER						1	
9		SS8660612TP		SCREW 1/4-40 L=6						1	
10		26502906		PRESSER BAR						1	
11		40014007		PRESSER BAR BUSHING LOWER						1	
12		B160122000J		INNER PRESSER J	H TYPE					1	
13		14433601		INNER PRESSER K	G TYPE					1	
14		WP0371016SD		WASHER 3.7X8X1						1	
15		SS7091110TP		SCREW 9/64-40 L=10.5						1	
16		B1634210D00		FINGER GUARD						1	
17		SS7110840SP		SCREW 11/64-40 L=7.8						1	
18	D	14434708		INNER PRESSER LINK STOPPER						1	
19		SS7110810SP		SCREW 11/64-40 L=8.0						1	
20		PH1000332SH		PIN 10X33						1	
21		14434401		INNER PRESSER ROD PIN						1	
22	D	14434005		INNER PRESSER ROD SPRING						1	
23		CS100081CSP		THRUST COLLAR ASM.						1	
24		14434203		ROD SPRING HOLDER A						1	
25		RC0841011KP		RETAINING RING 8.4						1	
26		14434104		ROD SPRING GUIDE BAR						1	
27		14433858		INNER PRESSER LINK COMPL.						1	
28		WP0600816SP		WASHER						1	
29		SS6151142TP		SCREW 15/64-28 L=10.5						1	
30		14433908		INNER PRESSER ROD						1	
31		SD0800431SP		HINGE SCREW D=8 H=4.3						1	
32		14434302		ROD SPRING HOLDER B						1	
33		NS6110420SP		NUT 11/64-40						1	
34		WP0612066SP		WASHER 6.1X11X2						1	
35		40025746		LINK						1	
36		14206650		DRIVE ARM COMPL.						1	
37		D2587L8WB00		ROLLER						1	
38		14209308		INNER PRESSER ROLLER SHAFT						1	
39		40031323		HINGE SCREW						1	
40		B1633210D00		ADJUSTING NUT						1	
41		WP0951016SP		WASHER 9.53X15X1						1	
42		14434807		INNER PRESSER CAM						1	
43		SM8050812TP		SCREW M5X8						2	
44		PJ032052503		HOSE NIPPLE						2	
45		PA2501506A0		AIR CYLINDER						1	
46		SS7110840SP		SCREW 11/64-40 L=7.8						2	

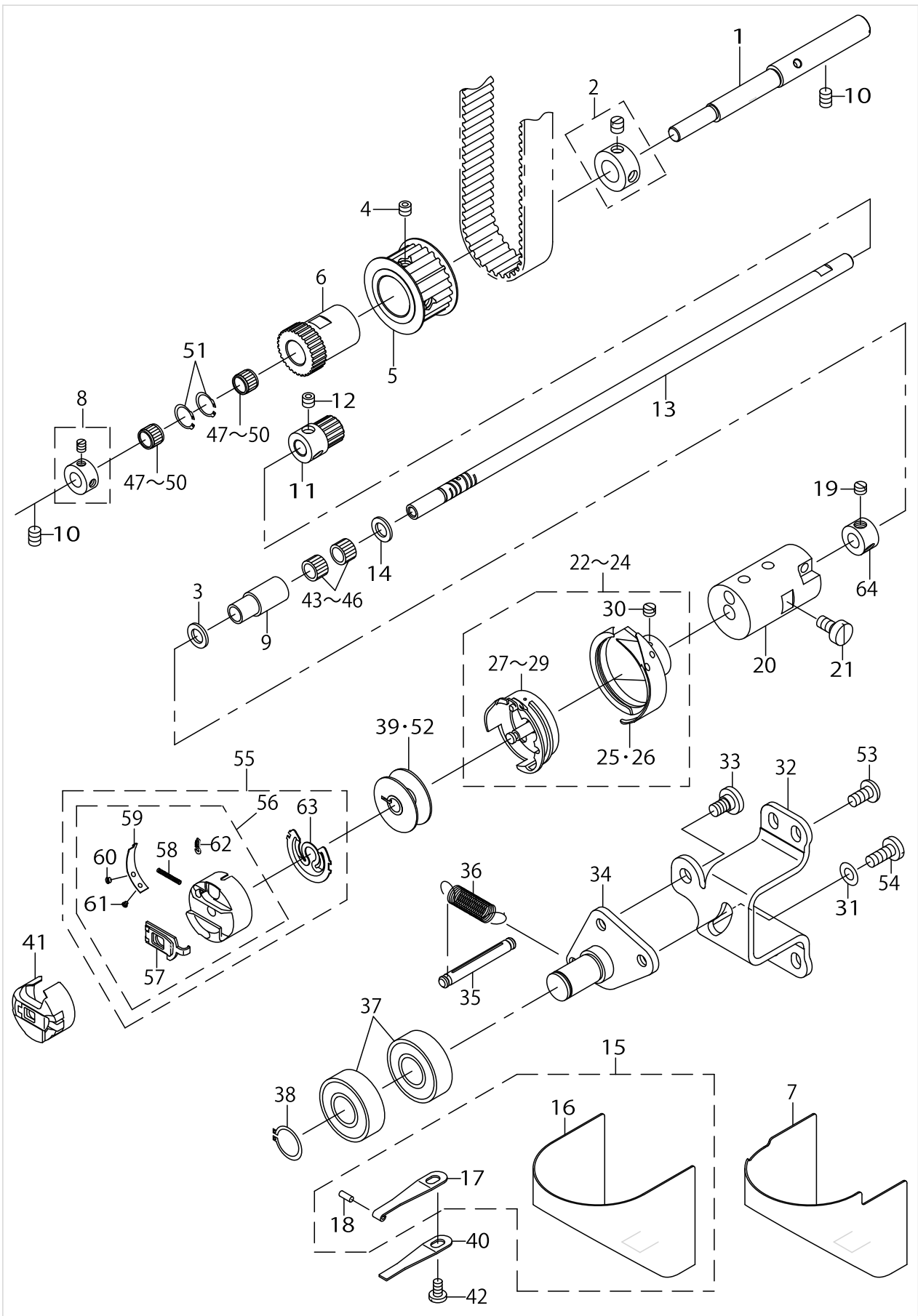
PRESSER MECHANISM COMPONENTS(FOR LK-1942)



PRESSER MECHANISM COMPONENTS(FOR LK-1942)

No.	Supply Code	Parts No.	Replacement	Parts name	Remarks	Choice	Step	Level	Cons	Qty	Rep. QTY
47		40045549		CYLINDER FITTING PLATE						1	
48		BT0400251EB		URETHANE HOSE, BLACK						.3	
49		NM6540023SB		NUT						1	
50		13860200		CYLINDER PUSHING PLATE						1	
51		13860606		PIN						1	
52		RE0600000K0		E-RING 6						2	
53		SM6053502TP		BOLT						2	
54		E1612173000		FLANGE BUSH (0803)						2	
55		WP0621026SP		WASHER 6.2X9.5X1						1	
56		40031324		NUT						1	
57		40045550		CONNECTING LINK COMPL.						1	
58		40045552		INNER PRESSER ROD						1	
59		40045553		LINK BRACKET						1	
60		SS7150910TP		SCREW 15/64-28 L=9						2	
61		SD0800341SP		HINGE SCREW D=8 H=3.4						1	
62		SD0800321TH		HINGE SCREW D=8 H=3.2						1	

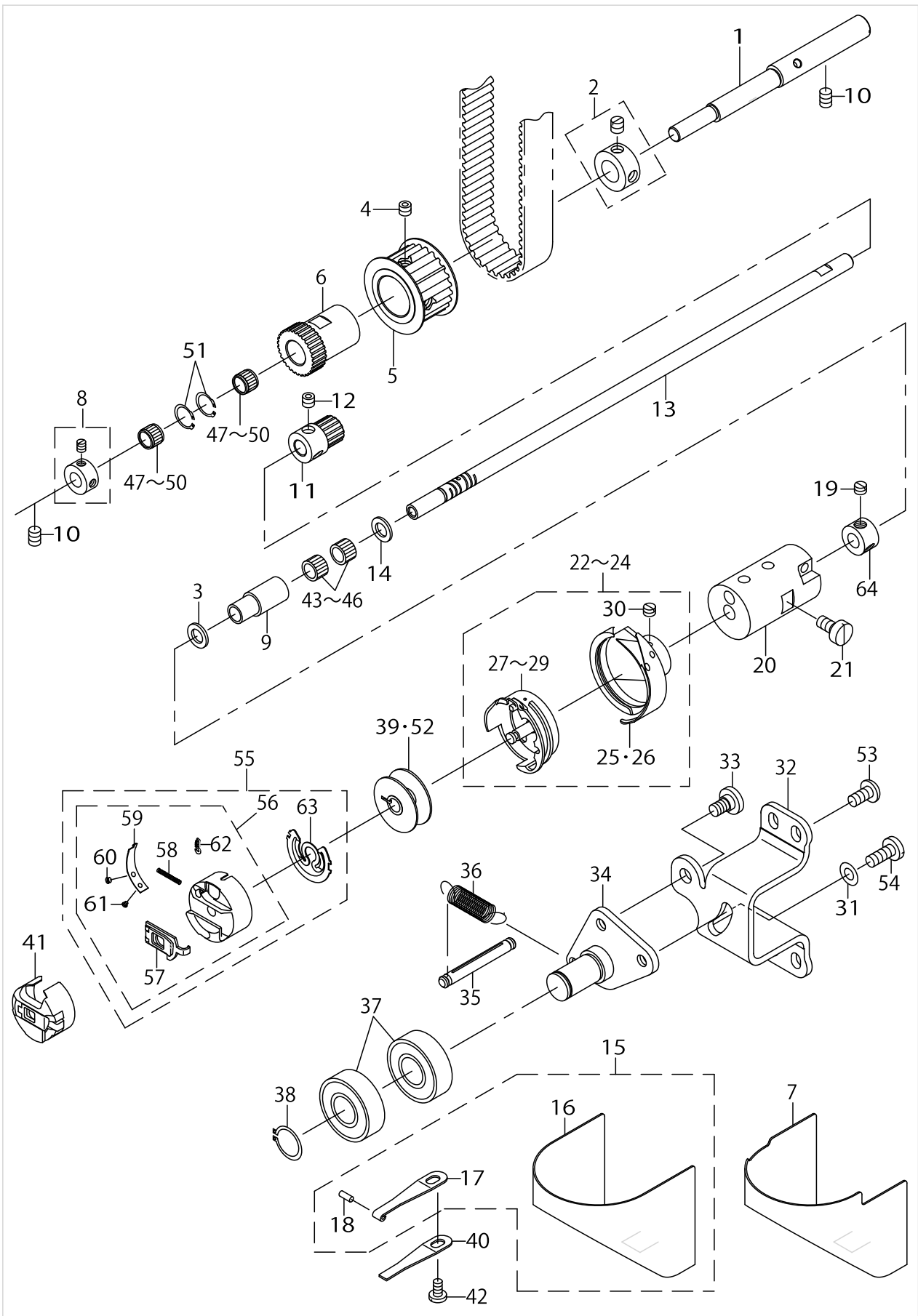
SHUTTLE DRIVER SHAFT & HOOK SHAFT COMPONENTS



SHUTTLE DRIVER SHAFT & HOOK SHAFT COMPONENTS

No.	Supply Code	Parts No.	Replacement	Parts name	Remarks	Choice	Step	Level	Cons	Qty	Rep. QTY
1		14435507		SHUTTLE DRIVER SHAFT						1	
2		CS1201010SH		THRUST COLLAR ASM. D=12 W=10						1	
3		B1223771000		NEEDLE ROD CRANK WASHER						1	
4		SS8660522TP		SCREW 1/4-40 L=4.5						2	
5		14435606		SHUTTLE DRIVER S-HAFT SPROCKET						1	
6		14435705		SHUTTLE DRIVER SHAFT GEAR						1	
7		14435358		HOOK COVER ASM.	Z TYPE(EXCEPT FOR AW-2D)					1	
8		CS100081CSP		THRUST COLLAR ASM.						1	
9		13508403		LOWER SHAFT REAR METAL						1	
10		SS8150822TP		SCREW 15/64-28 L=8						2	
11		14435804		HOOK SHAFT GEAR						1	
12		SS8660522TP		SCREW 1/4-40 L=4.5						2	
13		14435903		HOOK SHAFT						1	
14		B1223771000		NEEDLE ROD CRANK WASHER						1	
15	R	40086483	40142674	CYLINDER_ARM_CAP_ASM.						1	1.00
16	R	13816855	40142674	CYLINDER ARM CAP				*		1	1.00
17		26221101		HOOK COVER PRESSER SPRING A				*		1	
18		13508700		HOOK COVER PRESSER SPRING PIN				*		1	
19		SS8660410SP		SCREW 1/4-40 L=4.2						2	
20		14436000		HOOK SHAFT METAL						1	
21		SS6151220SP		SCREW 15/64-28 L=11.5						1	
22		14436158		LUBRICATION HOOK D ASM.	Z TYPE					1	
23		14436554		LUBRICATION HOOK A ASM.	H TYPE					1	
24		14436307		LUBRICATION HOOK C ASM.	G TYPE					1	
25		14447106		OUTER HOOK AB	H TYPE			*		1	
26		14447205		OUTER HOOK CD	G,Z TYPE			*		1	
27		14447304		INNER HOOK A	H TYPE			*		1	
28		14447403		INNER HOOK BC	G TYPE			*		1	
29		14447502		INNER HOOK D	Z TYPE			*		1	
30		SS6110560TP		SCREW 11/64-40 L=5				*		1	
31		WP0641601SD		WASHER M6						1	
32		14432306		IDLERFITTINGPLATE						1	
33		SD0800321TH		HINGE SCREW D=8 H=3.2						1	
34		14432454		IDLER BASIS COMPL.						1	
35		13518501		SPRINGSUSPENSION						1	
36		14432504		IDLER SPRING						1	
37		SB115000200		BEARING						2	
38		RC0150001KP		RETAINING RING 13.8						1	
39		40022188		BOBBIN ASM	FOR AW-2D					1	
40		26221200		HOOK COVER PRESSER SPRING B	EXCEPT FOR AW-2D					1	
41		GAW02502AA0		BOBBIN CASE ASM.	FOR AW-2D					1	
42		SS7110840SP		SCREW 11/64-40 L=7.8						1	
43		B1411804A00		NEEDLE DRIVING LEVER BEARING A	SELECTIVE PARTS					2	
44		B1411804B00		NEEDLE DRIVING LEVER BEARING B	SELECTIVE PARTS					1	

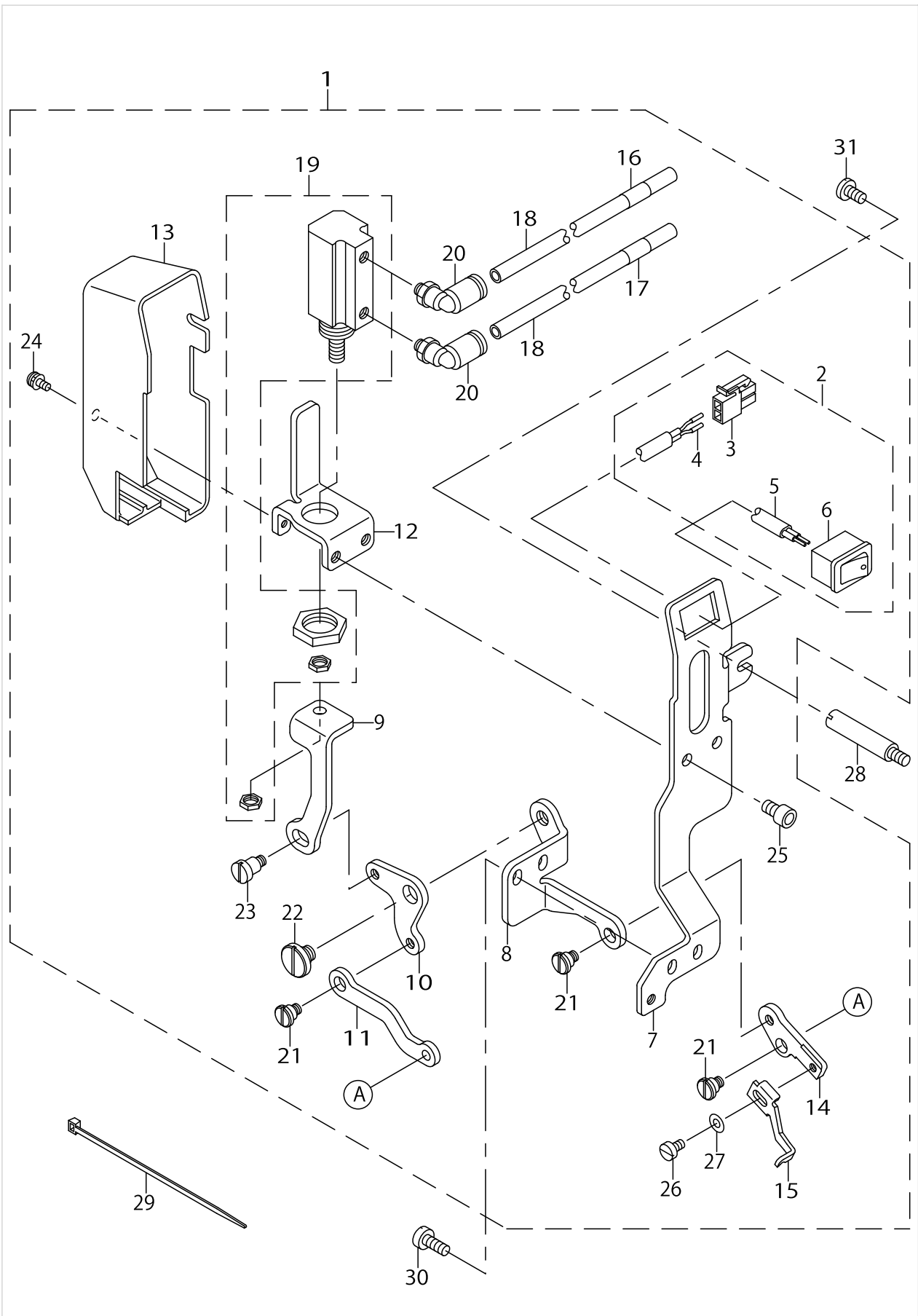
SHUTTLE DRIVER SHAFT & HOOK SHAFT COMPONENTS



SHUTTLE DRIVER SHAFT & HOOK SHAFT COMPONENTS

No.	Supply Code	Parts No.	Replacement	Parts name	Remarks	Choice	Step	Level	Cons	Qty	Rep. QTY
45		B1411804C00		NEEDLE DRIVING L- EVER BEARING C	SELECTIVE PARTS					1	
46		B1411804D00		NEEDLE DRIVING L- EVER BEARING D	SELECTIVE PARTS					1	
47		SB31000080A		BEARING	SELECTIVE PARTS					1	
48		SB31000080B		BEARING	SELECTIVE PARTS					1	
49		SB31000080C		BEARING	SELECTIVE PARTS					1	
50		SB31000080D		BEARING	SELECTIVE PARTS					1	
51		RC1411018KP		C RING						2	
52		14436406		BOBBIN	EXCEPT F- OR AW-2D					1	
53		SS4151215SP		SCREW 15/64-28L=12						4	
54		SS7661540SP		SCREW 1/4-40 L=15.0						1	
55		14436257		BOBBIN CASE ASM.	EXCEPT F- OR AW-2D					1	
56	R	14436208	14436257	BOBBIN CASE				*		1	1.00
57		14446207		PICK-UP ASM.				*		1	
58		14446306		PICK-UP SPRING				*		1	
59		14446405		THREAD TENSION SPRING				*		1	
60		14446504		SCREW				*		1	
61		14446603		SCREW				*		1	
62		40011360		THREAD GUIDE SPRING				*		1	
63		14435200		IDLING PREVENTION SPRING				*		1	
64		CS0801011TH		THRUST COLLAR D=8 W=10						1	

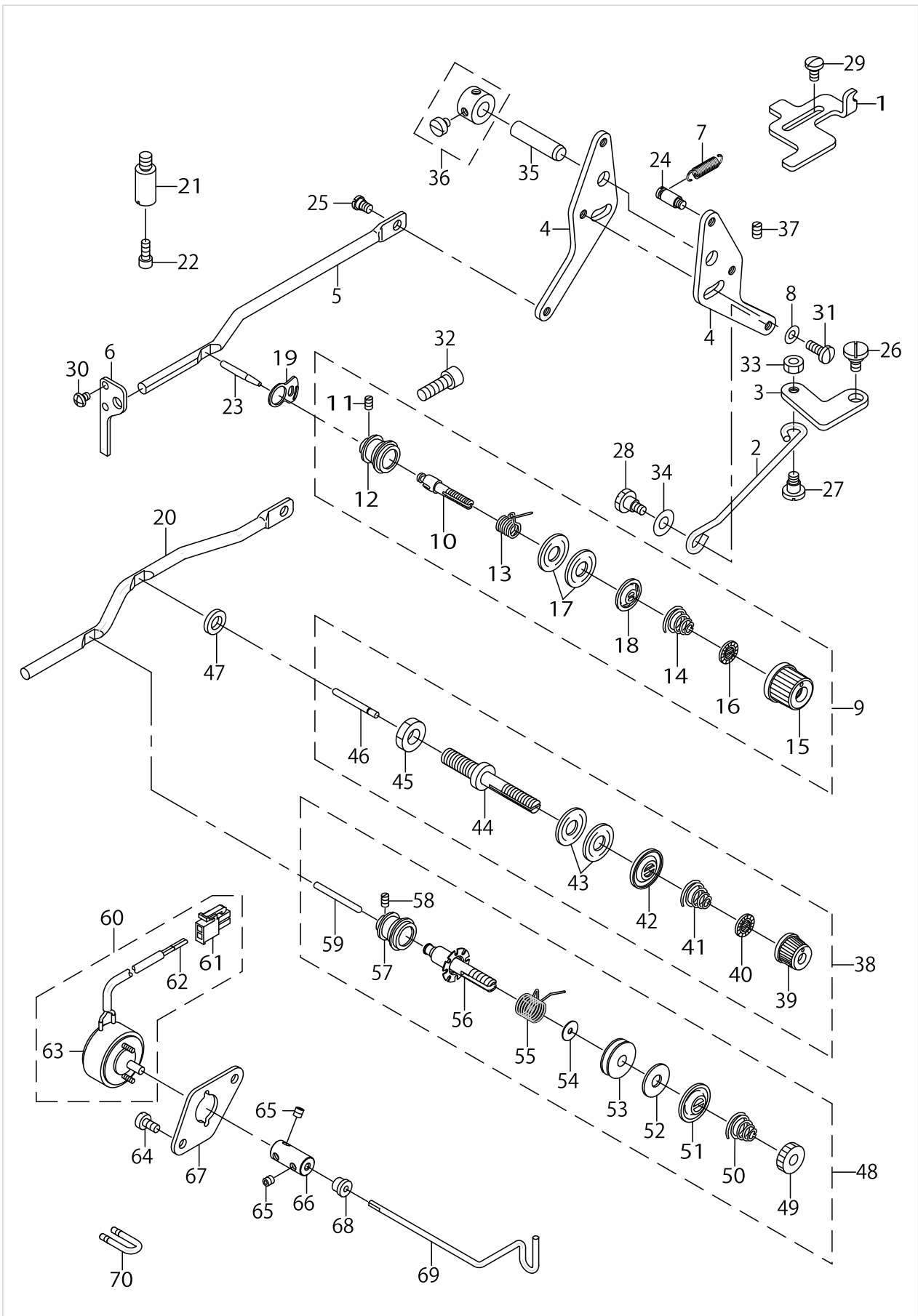
WIPER MECHANISM COMPONENTS



WIPER MECHANISM COMPONENTS

No.	Supply Code	Parts No.	Replacement	Parts name	Remarks	Choice	Step	Level	Cons	Qty	Rep. QTY
1		14437651		WIPER ASM.						1	
2	D	14437750		WIPER SWITCH CABLE ASM.				*		1	
3		HK034610020		2-POLE NYLON PLUG				*		1	
4		HK034640000		PIN CONTACT				*		2	
5		HW500070000		2-CORE CABTYRE CORD				*		1	
6		HA006000000		SWITCH				*		1	
7		14437800		WIPER BASE A				*		1	
8		14437909		WIPER BASE B				*		1	
9		14438006		WIPER LINK A				*		1	
10		14438105		WIPER LINK B				*		1	
11		14438204		WIPER LINK C				*		1	
12		14438303		WIPER CYLINDER FITTING PLATE				*		1	
13	R	11072709	22955504	WIPER COVER				*		1	1.00
14		B2106220000		WIPER INSTALLING PLATE				*		1	
15		B2107210000		WIPER				*		1	
16		B471122000E		AIR TUBE LABEL J05				*		1	
17		B471122000F		AIR TUBE LABEL J06				*		1	
18		BT0400251EB		URETHANE HOSE, BLACK				*		1.5	
19		PA1501515A0		AIR CYLINDER				*		1	
20		PJ304040504		ELBOW UNION				*		2	
21		SD0640321SP		HINGE SCREW D=6.35 H=3.2				*		3	
22		SD0800331TH		HINGE SCREW D=8 H=3.25				*		1	
23		SD0640602SP		HINGE SCREW D=6.35 H=6.0				*		1	
24		SL4030891SC		SCREW M3X8				*		1	
25		SM6050802TP		SCREW M5X0.8 L=8				*		2	
26		SS6090630TP		SCREW 9/64-40 L=6				*		1	
27		WP0371016SD		WASHER 3.7X8X1				*		1	
28		22924005		PUMP BODY STRUT						1	
29		EA9500B0100		CABLE BAND						1	
30		SS6111140SP		SCREW 11/64-40 L=11						2	
31		SS7110840SP		SCREW 11/64-40 L=7.8						1	

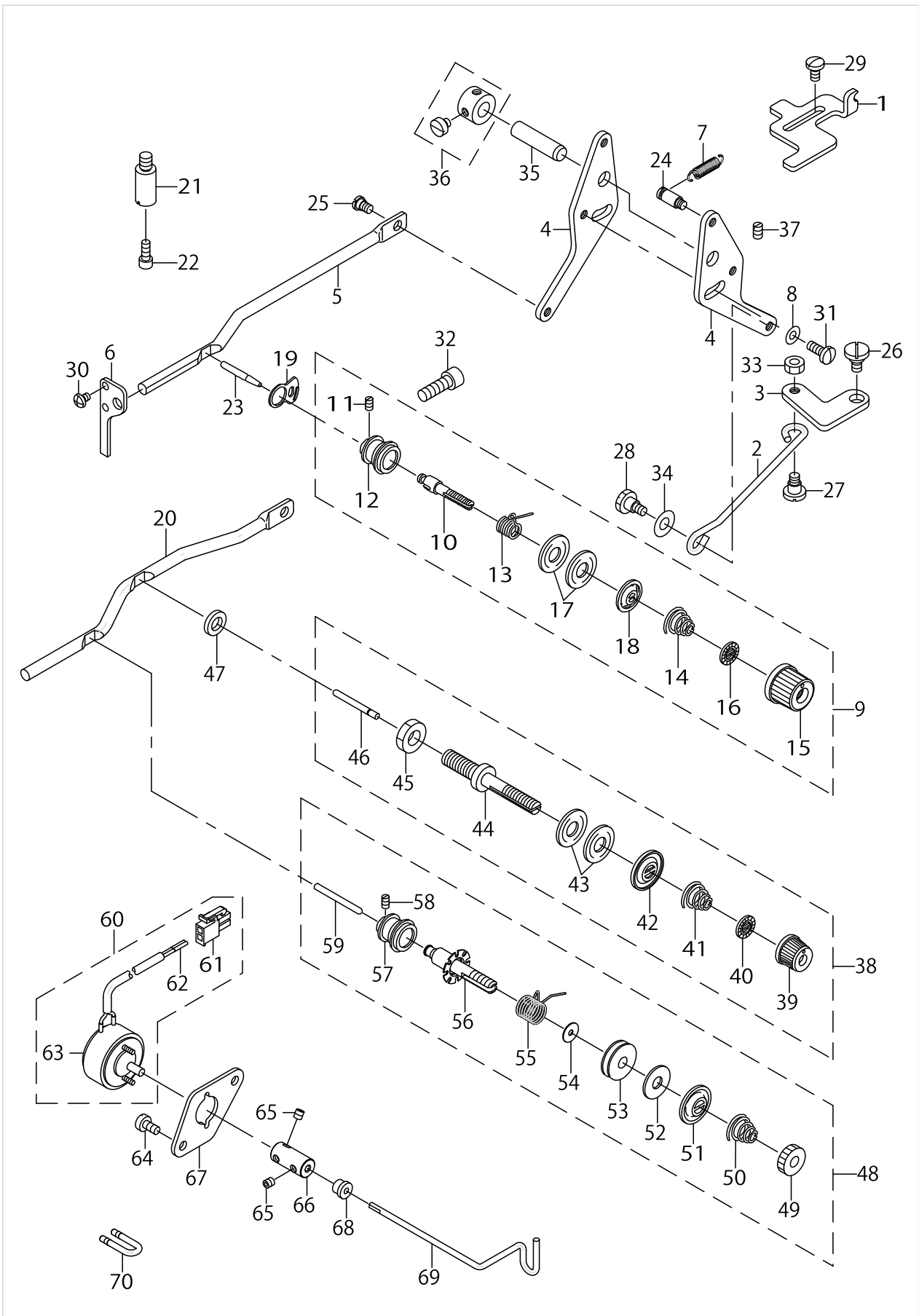
TENSION RELEASE & THREAD TENSION COMPONENTS



TENSION RELEASE & THREAD TENSION COMPONENTS

No.	Supply Code	Parts No.	Replacement	Parts name	Remarks	Choice	Step	Level	Cons	Qty	Rep. QTY
1		14107502		STOPPER						1	
2		14107700		CONNECTING BAR						1	
3		B2304210D00		TENSION RELEASE LINK						1	
4		26500900		TENSION RELEASE ADJUSTING ARM						2	
5		26501304		THREAD TENSION CONNECTING ROD	H TYPE					1	
6		26218404		THREAD TENSION ARM						1	
7		B2545280000		PRESSURE SPRING						1	
8		WP0482086SD		WASHER 4.8X11.5X2						1	
9		B23022050AA		SECOND THREAD TENSION.	H TYPE					1	
10		B2302280000		SECOND THREAD TENSION ROD				*		1	
11		SS8090610SP		SCREW 9/64-40 L=5.9				*		1	
12		B2313280000		THREAD TENSION ROD, LARGE				*		1	
13		D3112L4BB00		TAKE-UP SPRING (HEAVY)				*		1	
14		B2305205000		TENSION SPRING				*		1	
15		13817408		THREAD TENSION NUT				*		1	
16		B3120125000		ROTATING STOPPER				*		1	
17	R	B3126012000	22921506	THREAD TENSION DISK				*		2	1.00
18		B3132552000		THREAD TENSION DISK PRESSER				*		1	
19		B2702210000		GUIDE PLATE						1	
20		14438709		THREAD TENSION CONNECTING BAR	EXCEPT H TYPE					1	
21		13788302		MOUNTING PLATE SHAFT	EXCEPT H TYPE					1	
22		SS6111052TP		SCREW	EXCEPT H TYPE					1	
23		G2303270000		THREAD RELEASE PIN	H TYPE					1	
24		26229302		SUSPENSION SCREW						1	
25		SD0530221SP		HINGE SCREW D=5.3 H=2.2						1	
26		SD0720321TP		HINGE SCREW						1	
27		SD0640391TP		HINGE SCREW D=6.35 H=3.9						1	
28		SD0640482SP		HINGE SCREW D=6.35 H=4.8						1	
29		SS6110810TP		SCREW 11/64-40 L=8						2	
30		SS4090515SP		SCREW 9/64-40 L=5						2	
31		SS7111120TP		SCREW						1	
32		SS6151812TP		SCREW 15/64-28 L=18						1	
33		NS6120310SP		NUT 3/16-28						1	
34		WP0651056SD		WASHER 6.5X11X1						1	
35		40009290		HINGE STUD						1	
36		22917157		THRUST COLLAR ASM., REAR						1	
37	R	SS8110510SP	SS8110520TP	SCREW 11/64-40 L=5						1	1.00
38		14438659		SECOND THREAD TENSION ASM.	EXCEPT H TYPE					1	
39	R	B3119771000	13817408	THREAD TENSION NUT				*		1	1.00
40		B3120125000		ROTATING STOPPER				*		1	
41		B2305205000		TENSION SPRING				*		1	
42		B3132012000		TENSION DISC HOLDER				*		1	
43	R	B3126012000	22921506	THREAD TENSION DISK				*		2	1.00
44		B2019372000		TENSION POST NO.2				*		1	
45		NS6160520SP		NUT 1/4-24				*		1	

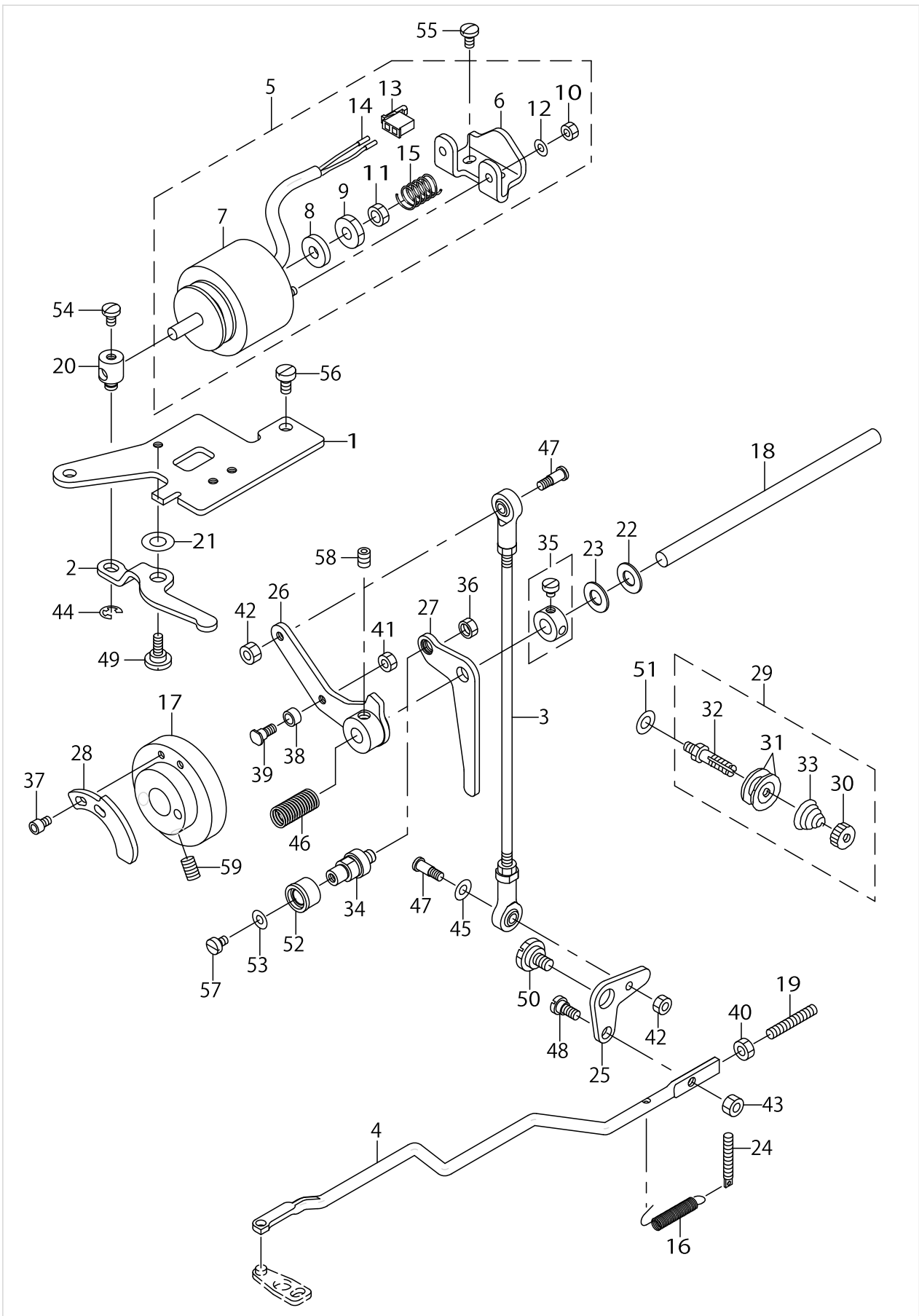
TENSION RELEASE & THREAD TENSION COMPONENTS



TENSION RELEASE & THREAD TENSION COMPONENTS

No.	Supply Code	Parts No.	Replacement	Parts name	Remarks	Choice	Step	Level	Cons	Qty	Rep. QTY
46		D3127555B00		TENSION RELEASE SUPPORTING PIN				*		1	
47		WP0722316SH		WASHER	EXCEPT H TYPE					1	
48		14438568		AUXILIARY THREAD TENSION ASM.	EXCEPT H TYPE					1	
49	R	B3125012000	22928808	THREAD TENSION NUT				*		1	1.00
50		B2305205000		TENSION SPRING				*		1	
51		10006005		TENSION DISC HOLDER				*		1	
52	R	B3120704000	13138102	THREAD TENSION SPRING FELT				*		1	1.00
53		21060009		THREAD TENSION WHEEL				*		1	
54		22528509		FELT				*		1	
55		14438402		THREAD TENSION SPRING				*		1	
56		14438550		THREAD TENSION COMPL.				*		1	
57		B2313280000		THREAD TENSION ROD, LARGE				*		1	
58		SS8090610SP		SCREW 9/64-40 L=5.9				*		1	
59		14442305		THREAD RELEASE PIN				*		1	
60		14432959		DRAW OUT SOLENOID ASM.	EXCEPT H TYPE					1	
61		HK034610020		2-POLE NYLON PLUG				*		1	
62		HK03464000A		TERMINAL, FEMALE				*		2	
63		10570307		DISK RISING SOLENOID				*		1	
64		SS6110810TP		SCREW 11/64-40 L=8	EXCEPT H TYPE					2	
65		SM8040412TP		SET SCREW M4 L=4	EXCEPT H TYPE					3	
66		14433205		DRAW OUT LEVER COUPLING	EXCEPT H TYPE					1	
67	D	14433007		SOLENOID FITTING PLATE	EXCEPT H TYPE					1	
68	R	B3319704L00	22931208	THREAD GUIDE	EXCEPT H TYPE					1	1.00
69		14433106		DRAW OUT LEVER	EXCEPT H TYPE					1	
70	R	B2014372000A	26019505	THREAD GUIDE	EXCEPT H TYPE					1	1.00

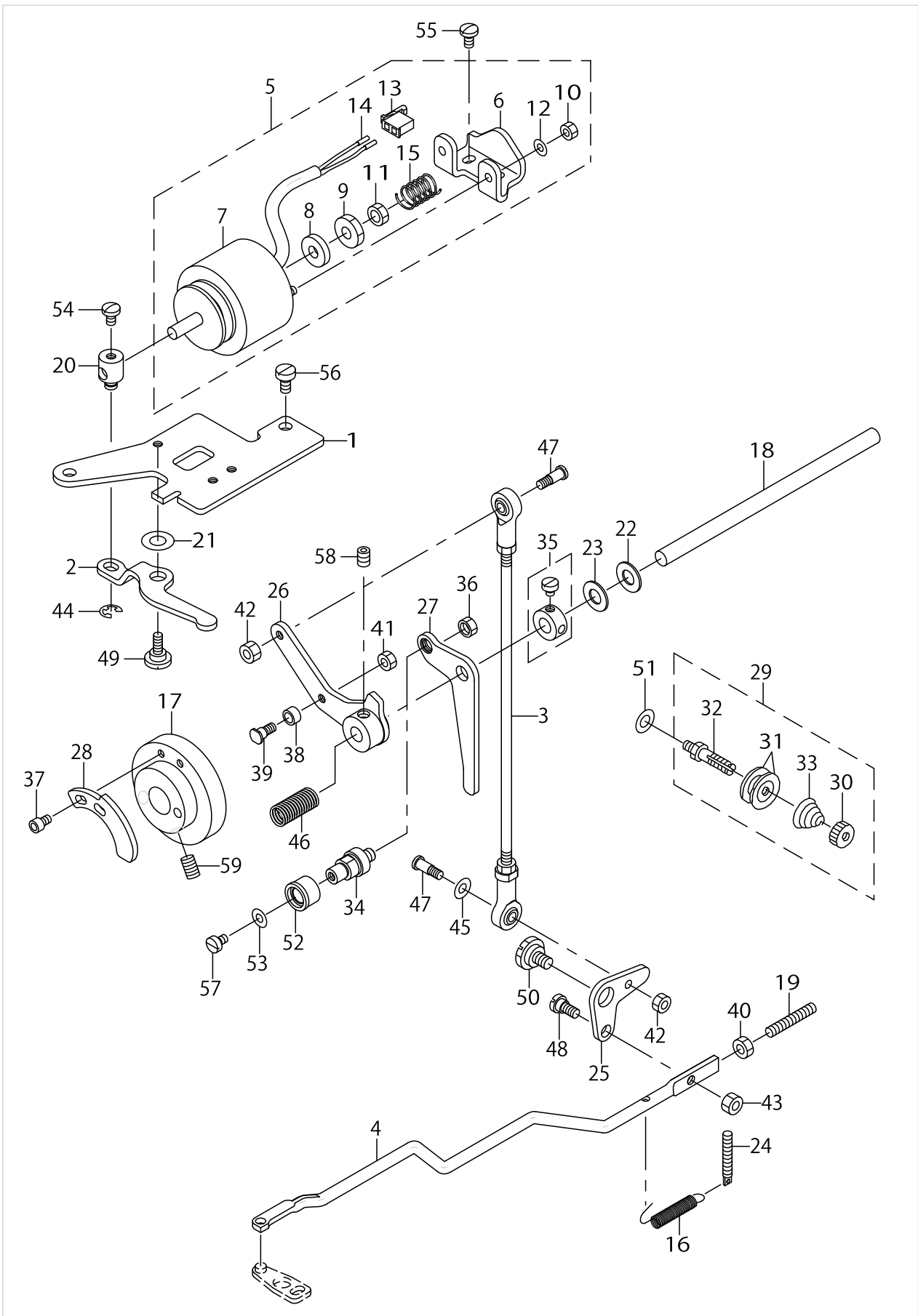
TENSION RELEASE & THREAD TRIMMER MECHANISM COMPONENTS(1)



TENSION RELEASE & THREAD TRIMMER MECHANISM COMPONENTS(1)

No.	Supply Code	Parts No.	Replacement	Parts name	Remarks	Choice	Step	Level	Cons	Qty	Rep. QTY
1		26501205		CAM FOLLOWER STOPPER						1	
2		14108500		SOLENOID ARM						1	
3		14108609		CONNECTING ROD						1	
4		26501908		CONNECTING BAR						1	
5	R	14108955	40104895	THREAD TRIMMING SOLENOID ASM.						1	1.00
6		14108807		SOLENOID INSTALLING BASE				*		1	
7		14108906		SOLENOID FOR TH-READ TRIMMING				*		1	
8		11043304		SOLENOID RUBBER				*		1	
9		NS6660410SH		NUT				*		1	
10		NM6040000SN		NUT M4				*		2	
11		NS6660430SP		NUT 1/4-40				*		1	
12		WP0450000SD		WASHER 4.5X8X0.5				*		2	
13		HK03461002D		HOUSING				*		1	
14		HK034640000		PIN CONTACT				*		2	
15	R	B1652704000	31256803	SPRING				*		1	1.00
16		14109300		THREAD TRIM LINK SPRING						1	
17		B2401210D00		THREAD TRIMMER CAM						1	
18		B2408210D00		THREAD TRIMMER SHAFT						1	
19		SM8053002TP		SCREW M5 L=30						1	
20		22951008		SOLENOID PIN						1	
21		WP0553216SD		WASHER						1	
22		B1223771000		NEEDLE ROD CRANK WASHER						1	
23		B1116804000		CLOTH PLATE WASHER						1	
24		26226506		SPRING HOOK						1	
25		B2411210000		THREAD TRIMMER LINK						1	
26		14109250		CAMFOLLOWERASM.						1	
27		14438907		THREAD RELEASE ARM						1	
28		14442404		THREAD RELEASE NOTCH						1	
29		26218651		FIRST THREAD TENSION ASM.						1	
30		22928808		NUT				*		1	
31		22921506		THREAD TENSION DISK				*		2	
32		26220400		THREAD TENSION ROD				*		1	
33		26218602		FIRST THREAD TENSION SPRING				*		1	
34		14439004		ROLLER SHAFT						1	
35		CS080081BSH		THRUST COLLAR ASM. D=8.0 W=8						1	
36		NS6660430SP		NUT 1/4-40						1	
37		SM6040602TP		SCREW M4 L=6						2	
38		D2587L8WB00		ROLLER						1	
39		D2588L8WB00		ROLLER SHAFT						1	
40		NM6050001SP		NUT M5						1	
41		NS6110420SP		NUT 11/64-40						1	
42		NS6110420SP		NUT 11/64-40						2	
43		NS6120310SP		NUT 3/16-28						1	
44		RE0500000K0		E-RING						1	
45		WP0501016SD		WASHER 5X10.5X1						1	

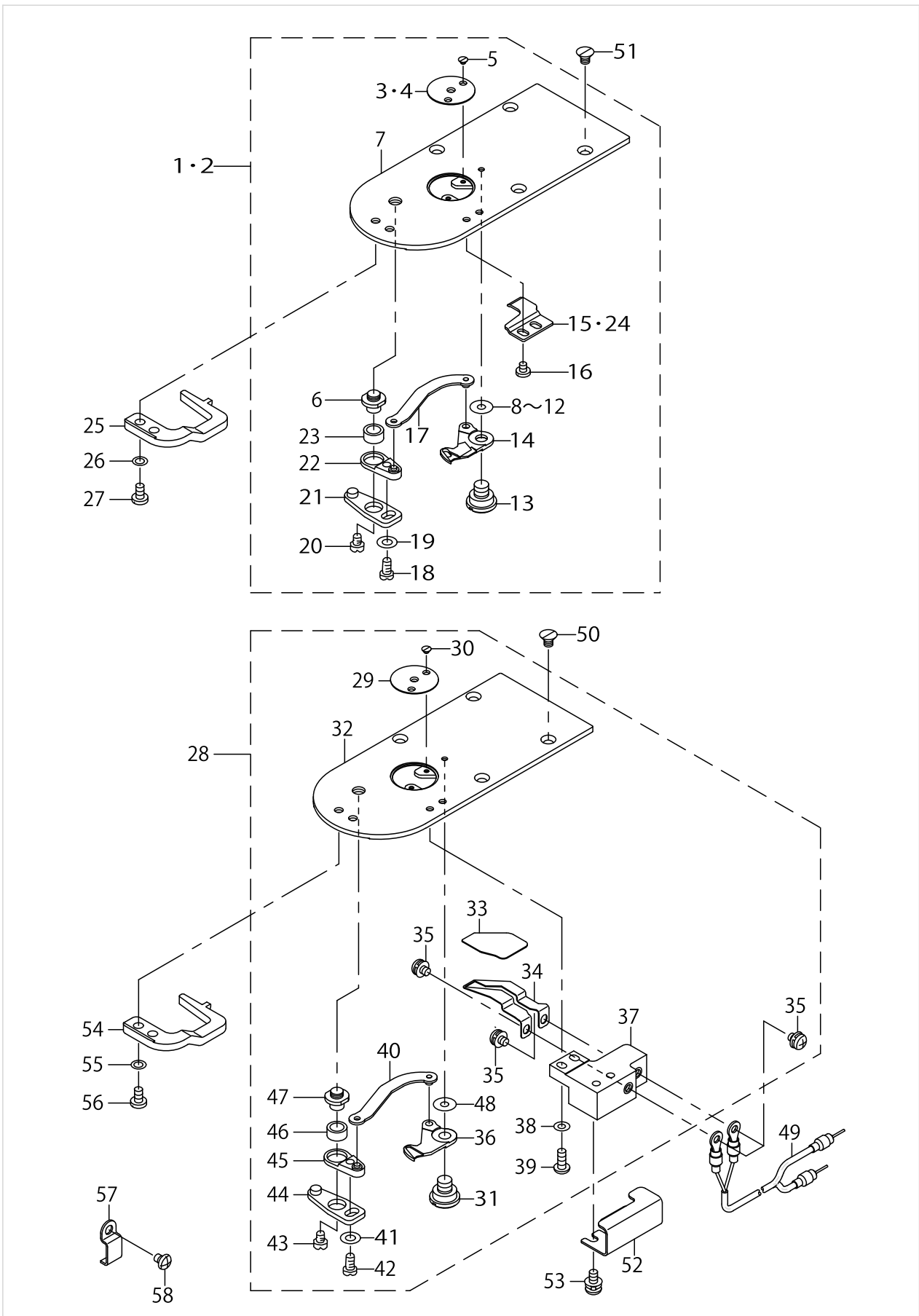
TENSION RELEASE & THREAD TRIMMER MECHANISM COMPONENTS(1)



TENSION RELEASE & THREAD TRIMMER MECHANISM COMPONENTS(1)

No.	Supply Code	Parts No.	Replacement	Parts name	Remarks	Choice	Step	Level	Cons	Qty	Rep. QTY
46		B2617771000		TRIPPING LEVER T- ENSION SPRING						1	
47		SD0500803TP		HINGESCREWD=5H=8						2	
48		SD0650305TP		HINGE SCREW D=6.5 H=3						1	
49		SD0790311TP		HINGE SCREW D=7.94 H=3.1						1	
50		SD1100301TP		HINGE SCREW H=11 W=3						1	
51		WP0641600SC		WASHEW6.4X12.5X1.6	EXCEPT H TYPE					1	
52		14438808		THREAD RELEASE ARM ROLLER						1	
53		WP0451026SH		WASHER						1	
54		SS7110740TP		SCREW 11/64-40 L=7						1	
55		SS7110840SP		SCREW 11/64-40 L=7.8						2	
56	R	SS6120930SP	SS6120930TP	SCREW 3/16-28 L=9						2	1.00
57		SS6110610TP		SCREW 11/64-40 L=6						1	
58		SS8150822TP		SCREW 15/64-28 L=8						1	
59		SS8661012TP		SCREW						2	

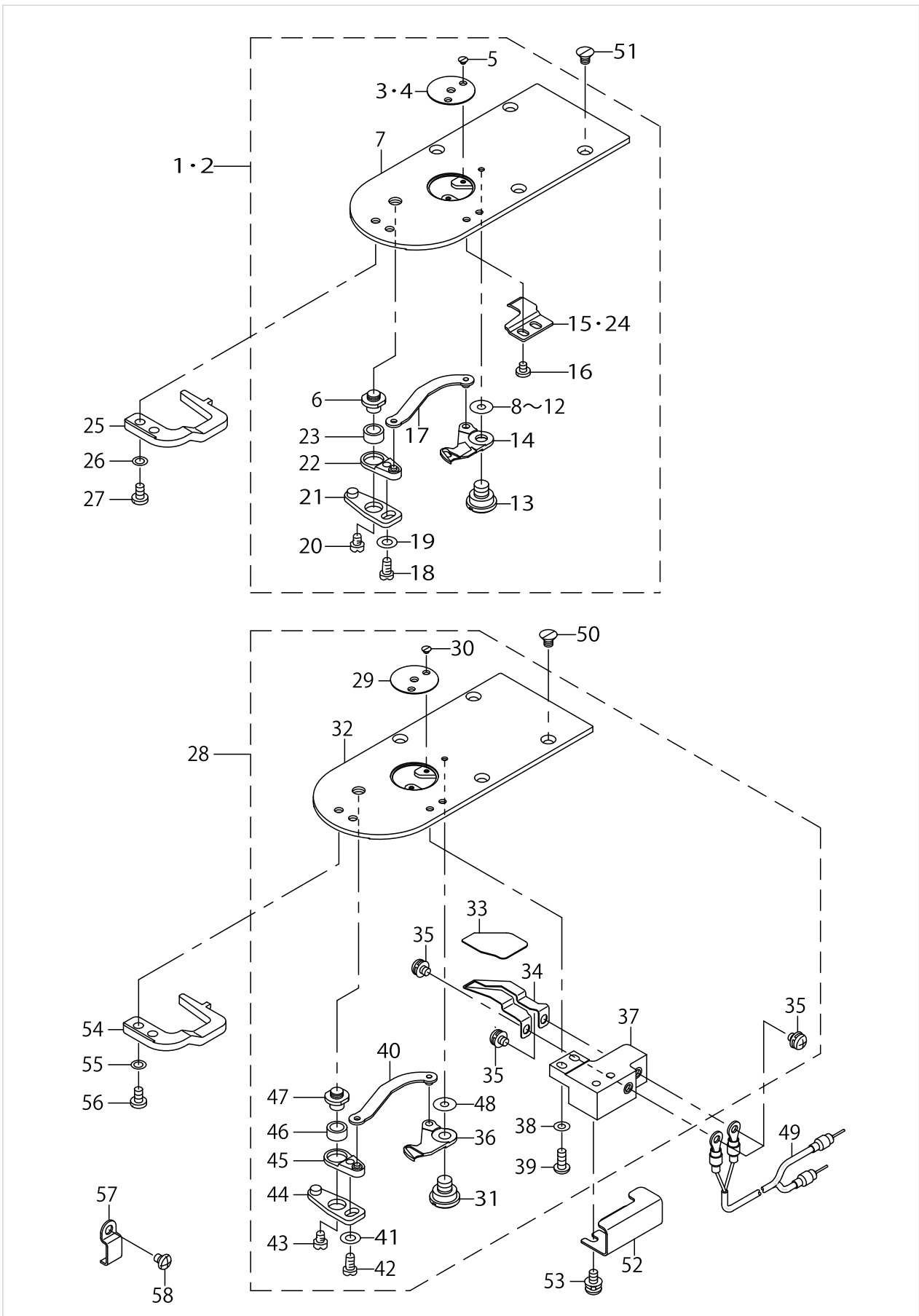
TENSION RELEASE & THREAD TRIMMER MECHANISM COMPONENTS(2)



TENSION RELEASE & THREAD TRIMMER MECHANISM COMPONENTS(2)

No.	Supply Code	Parts No.	Replacement	Parts name	Remarks	Choice	Step	Level	Cons	Qty	Rep. QTY
1		14439152		H TYPE NEEDLE PLATE ASM.	H TYPE					1	
2		14439251		G TYPE NEEDLE PLATE ASM.	G TYPE					1	
3		14439608		NEEDLE HOLE GUIDE D=3	H TYPE			*		1	
4		14439707		NEEDLE HOLE GUIDE D=4	G TYPE			*		1	
5		SS1060210TP		SCREW 3/32-56 L=2.2				*		2	
6		B2417280000		THREAD CUTTER LEVER SHAFT				*		1	
7		14439103		NEEDLE PLATE				*		1	
8		B242328000A		MOVING KNIFE WASHER A	SELECTIVE PARTS			*		1	
9		B242328000B		MOVING KNIFE WASHER B	SELECTIVE PARTS			*		1	
10		B242328000C		MOVING KNIFE WASHER C	SELECTIVE PARTS			*		1	
11		B242328000D		MOVING KNIFE WASHER D	SELECTIVE PARTS			*		1	
12		B242328000E		MOVING KNIFE WASHER E	SELECTIVE PARTS			*		1	
13		B2417210000		MOVING KNIFE HINGE SCREW				*		1	
14		14440309		MOVING KNIFE	EXCEPT Z TYPE			*		1	
15		14441000		FIXING KNIFE	H TYPE			*		1	
16		SS7090410SP		SCREW 9/64-40 L=3.5	EXCEPT Z TYPE			*		2	
17		14440457		MOVING KNIFE LINK COMPL.				*		1	
18		SS7110740TP		SCREW 11/64-40 L=7				*		1	
19		WP0450846SP		WASHER				*		1	
20		SS6110430TP		SCREW 11/64-40 L=4.0				*		1	
21		B24142800A0		THREAD CUTTER L- EVER ASM., LARGE				*		1	
22		14440556		THREAD LEVER TYPE COMPL.				*		1	
23		B2416280000		THREAD CUTTING LEVER RING				*		1	
24		14441109		FIXING KNIFE G	G TYPE			*		1	
25		14436604		INNER HOOK STOPPER						1	
26		WP0450846SP		WASHER						2	
27		SS7110710SP		SCREW 11/64-40 L=7						2	
28		40023523		HOT WIRE NEEDLE ASM	Z TYPE					1	
29		14440002		ELLIPSE NEEDLE HOLE GUIDE	Z TYPE			*		1	
30		SS1060210TP		SCREW 3/32-56 L=2.2				*		1	
31		B2417210000		MOVING KNIFE HINGE SCREW				*		1	
32		14439103		NEEDLE PLATE				*		1	
33		40039621		INSULATING SHEET B	Z TYPE			*		1	
34		40022223		HOT WIRE PLATE	Z TYPE			*		1	
35		SL4040681SC		COMBINATION SCREW M4X8	Z TYPE			*		4	
36		14441208		MOVING KNIFE	Z TYPE			*		1	
37		40022013		HOT WIRE BASE ASM	Z TYPE			*		1	
38		WP0371016SD		WASHER 3.7X8X1	Z TYPE			*		2	
39		SS4091015SP		SCREW 9/64-40 L=10	Z TYPE			*		2	
40		14440457		MOVING KNIFE LINK COMPL.				*		1	
41		WP0450846SP		WASHER				*		1	
42		SS7110740TP		SCREW 11/64-40 L=7				*		1	
43		SS6110430TP		SCREW 11/64-40 L=4.0				*		1	
44		B24142800A0		THREAD CUTTER L- EVER ASM., LARGE				*		1	
45		14440556		LEVER TYPE COMPL.				*		1	

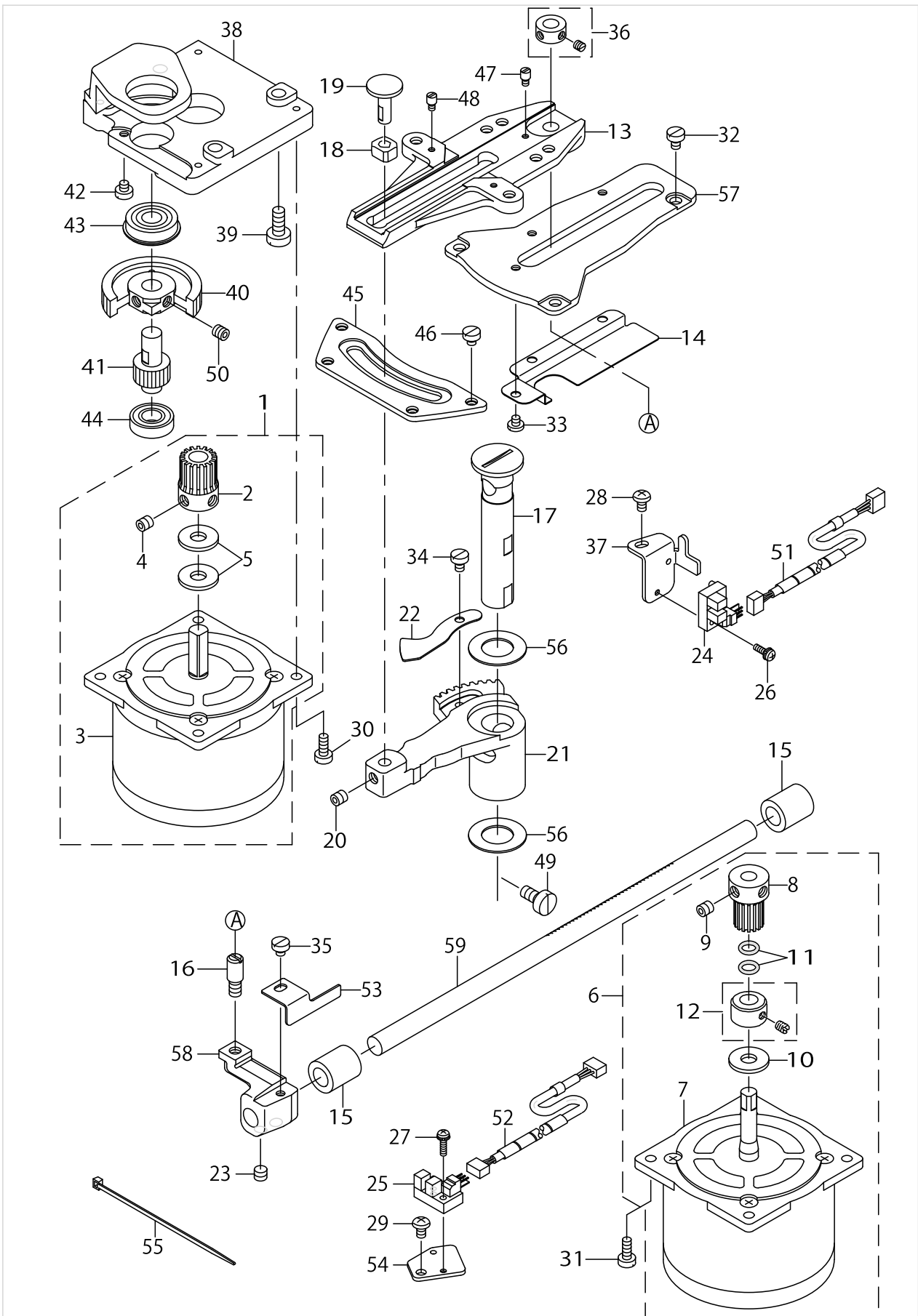
TENSION RELEASE & THREAD TRIMMER MECHANISM COMPONENTS(2)



TENSION RELEASE & THREAD TRIMMER MECHANISM COMPONENTS(2)

No.	Supply Code	Parts No.	Replacement	Parts name	Remarks	Choice	Step	Level	Cons	Qty	Rep. QTY
46		B2416280000		THREAD CUTTING LEVER RING				*		1	
47		B2417280000		THREAD CUTTER LEVER SHAFT				*		1	
48		B242328000B		MOVING KNIFE WASHER B				*		1	
49		14442255		HEATER CORD ASM.	Z TYPE					1	
50		SS1110640TP		SCREW 11/64-40 L=5.5						4	
51		SS1110640TP		SCREW 11/64-40 L=5.5						4	
52		14441901		HOT WIRE BASE COVER	Z TYPE					1	
53		SL4041091SC		SCREW M4 L=10	Z TYPE					2	
54		14436604		INNER HOOK STOPPER						1	
55		WP0450846SP		WASHER						2	
56		SS7110710SP		SCREW 11/64-40 L=7						2	
57		B3509210000		OIL TUBE HOLDER C	Z TYPE					3	
58		SS4110515SP		SCREW 11/64-40 L=5	Z TYPE					3	

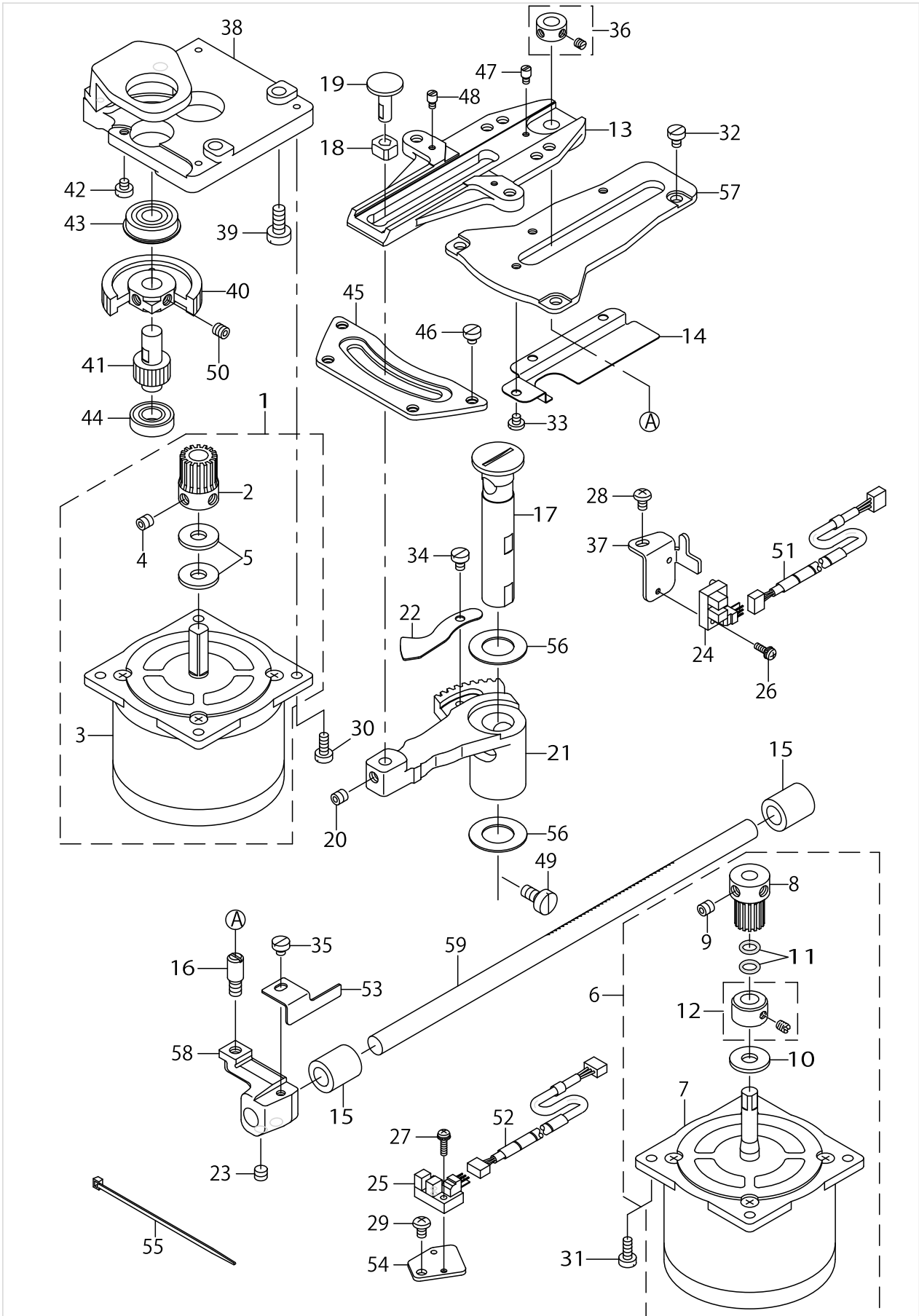
FEED MECHANISM COMPONENTS



FEED MECHANISM COMPONENTS

No.	Supply Code	Parts No.	Replacement	Parts name	Remarks	Choice	Step	Level	Cons	Qty	Rep. QTY
1	R	14216352	14112502	X FEED MOTOR ASM.		A				1	2.00
1	R	14216352	SM8060612TP	X FEED MOTOR ASM.		A				1	1.00
1	R	14216352	26501403	X FEED MOTOR ASM.		A				1	1.00
1	R	14216352	14216303	X FEED MOTOR ASM.		A				1	1.00
2		26501403		X FEED GEAR				*		1	
3		14216303		CROSSFEED STEPPING MOTOR				*		1	
4		SM8060812TP		SCREW M6 L=8				*		2	
5		14112502		RUBBER WASHER				*		2	
6		14449250		Y FEED MOTOR ASM.						1	
7		14216410		LENGTHWISE STEPPING MOTOR				*		1	
8		26501502		Y FEED GEAR				*		1	
9		SM8060812TP		SCREW M6 L=8				*		2	
10		14112502		RUBBER WASHER				*		1	
11		RO069180100		RUBBER RING				*		2	
12		CS095081ASH		THRUST COLLAR ASM. D=9.53 W=8				*		1	
13		14214019		CLOTH FEED PLATE						1	
14		14215701		CLOTH FEED SUPP- ORT PLATE COVER						1	
15		B2509704000		BUSHING, REAR						2	
16		B1456057000		HINGE SCREW						1	
17		14447908		CROSSFEED FULCRUM SHAFT						1	
18		B1414232000		SQUARE BLOCK						1	
19		26223305		SLIDE BLOCK STUD						1	
20		SM8060612TP		SCREW M6 L=6						1	
21		14448005		CROSSFEED ARM						1	
22		14214712		CROSSFEED SENSOR UNIT						1	
23		SS8660612TP		SCREW 1/4-40 L=6						2	
24		HD00057000A		PHOTO SENSOR						1	
25		HD00057000A		PHOTO SENSOR						1	
26		SL4031081SC		SCREW M3 X 10						1	
27		SL4031291SC		SCREW M3X12						1	
28		SS4110715SP		SCREW 11/64-40 L=7						1	
29		SS4110715SP		SCREW 11/64-40 L=7						1	
30		SS6111140SP		SCREW11/64-40L=11						4	
31		SS6111140SP		SCREW11/64-40L=11						4	
32		SS6110610TP		SCREW 11/64-40 L=6						3	
33		SS7110410SP		SCREW 11/64-40 L=4						3	
34		SS6110610TP		SCREW 11/64-40 L=6						1	
35		SS6110480SP		SCREW 11/64-40 L=4.3						1	
36		CS079073BSH		THRUST COLLAR						1	
37		14214902		CROSSFEED SENS- OR FITTING BASE						1	
38		14215057		MOTORBASECOMPL.						1	
39		SS6151440SP		SCREW15/64-28L=14						3	
40		14215404		CROSSFEED GEAR (LARGE)						1	
41		14215305		CROSSFEED GEAR (SMALL)						1	
42		SS6110480SP		SCREW 11/64-40 L=4.3						1	

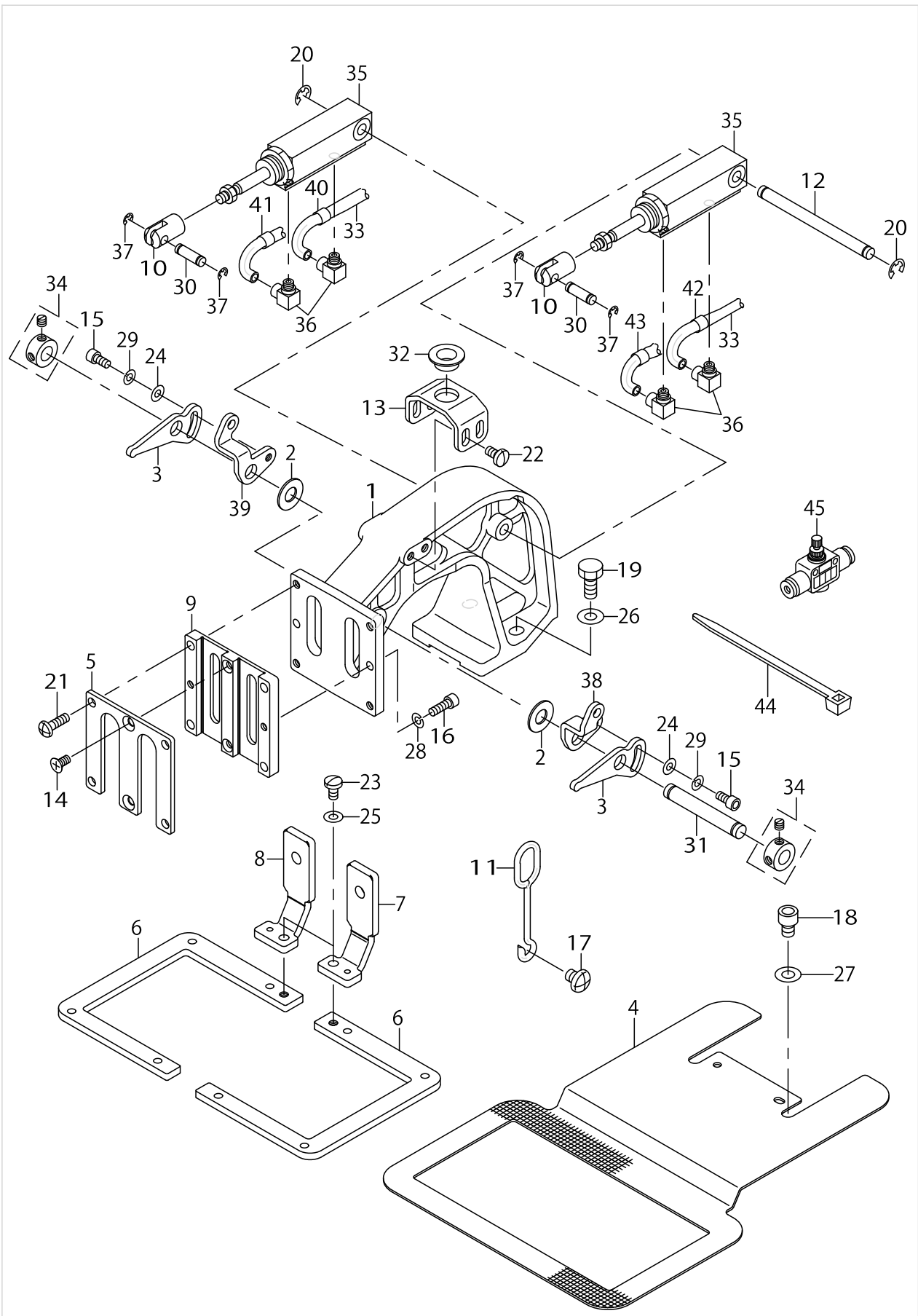
FEED MECHANISM COMPONENTS



FEED MECHANISM COMPONENTS

No.	Supply Code	Parts No.	Replacement	Parts name	Remarks	Choice	Step	Level	Cons	Qty	Rep. QTY
43		SB110001300		BEARING						1	
44		SB110000900		BEARING						1	
45		14214308		CROSSFEED SLIDE PLATE						1	
46		SS6110420TP		SCREW 11/64-40 L=4.8						4	
47		B151902600G		HINGE STUD						1	
48		B151902600G		HINGE STUD						2	
49		SS6151220SP		SCREW 15/64-28 L=11.5						2	
50		SM8060612TP		SCREW M6 L=6						2	
51		14221253		X SENSOR CABLE ASM.						1	
52		14221352		Y SENSOR CABLE ASM.						1	
53		14216006		LENGTHWISE SENSOR SLIT						1	
54		40028986		SENSOR INSTALLING BASE						1	
55		EA9500B0200		CABLE BAND 150						2	
56		G5523880000		THRUST WASHER B						2	
57		14215602		CLOTH FEED SUPPORT PLATE						1	
58		14215909		LENGTHWISE FEED ARM						1	
59		14216204		LENGTHWISE FEED SHAFT						1	

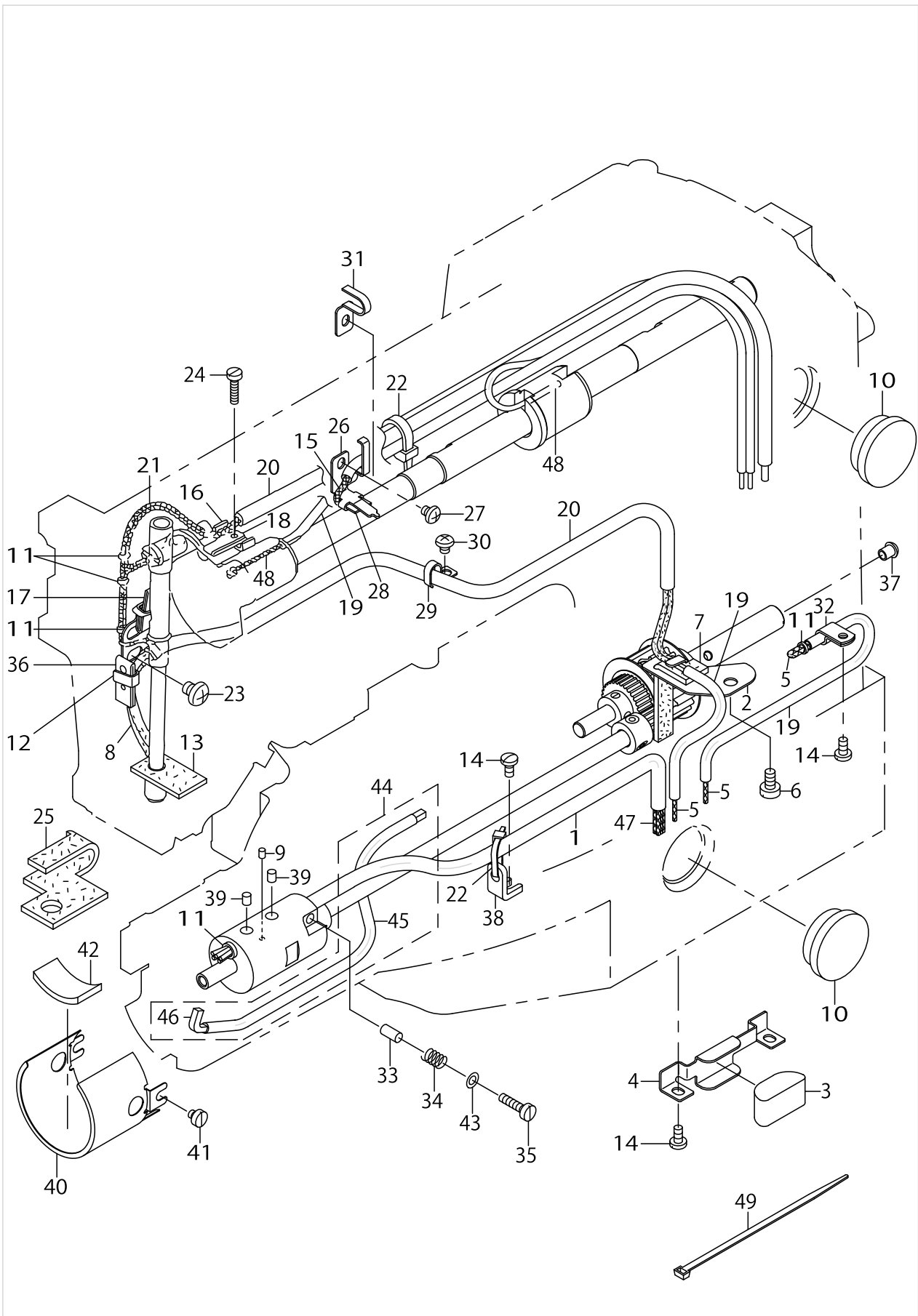
CLOTH FEED MECHANISM COMPONENTS



CLOTH FEED MECHANISM COMPONENTS

No.	Supply Code	Parts No.	Replacement	Parts name	Remarks	Choice	Step	Level	Cons	Qty	Rep. QTY
1		14436802		CLOTH FEED BASE						1	
2		B255728000C		WASHER						2	
3		14217202		HOOK A						2	
4		14218002		LOWER PLATE						1	
5		B2572210D00		WORK CLAMP FOOT PLATE COVER						1	
6		B2554210D00		FEEDING FRAME						2	
7		14437057		SLIDING PLATE RIGHT COMPL.						1	
8		14437156		SLIDING PLATE LEFT COMPL.						1	
9		B2610210D00		WORK CLAMP FOOT PLATE						1	
10		B2566210D00		CYLINDER KNUCKLE						2	
11		B3403761000		PRESSER BAR LIFTING ROD						1	
12		B2561210D00		CYLINDER SHAFT						1	
13		14436901		SLIDER BASE						1	
14		SM1040801SP		SCREW M4X0.7 L=8						2	
15		SM6040802TP		SCREW M4X0.7 L=8						2	
16		SM6041202TP		SCREW M4X0.7 L=12						2	
17		SS4150715SP		SCREW 15/64-28 L=7						1	
18		SM6060802TP		SCREW M6 L=8						2	
19		SM9061403CP		SCREW M6 L=14						2	
20		RE0500000K0		E-RING						2	
21		SS4111415SP		SCREW 11/64-40L=14						4	
22		SS7110840SP		SCREW 11/64-40 L=7.8						4	
23		SS7110840SP		SCREW 11/64-40 L=7.8						2	
24		WP0450000SD		WASHER 4.5X8X0.5						2	
25		WP0480856SP		WASHER 4.8X8.4X0.8						2	
26		WP0621016SD		WASHER 6.2X13X1						2	
27		WP0621016SD		WASHER 6.2X13X1						2	
28		WS0410002KP		SPRING WASHER						2	
29		WS0410002KP		SPRING WASHER						2	
30		B1626220000		CYLINDER PIN						2	
31		D2502232D00		SHAFTBLOCKSHAFT						1	
32		E2193172000		PT EV PP METAL						1	
33		BT0400251EB		URETHANE HOSE, BLACK						2.6	
34		22917058		THRUST COLLAR ASM., FRONT						2	
35		PA1602006A0		AIR CYLINDER						2	
36		PJ046052503		HOSE ELBOW						4	
37		RE0300000K0		E-RING 3						4	
38		14217301		HOOK B,RIGHT						1	
39		14217400		HOOK B,LEFT						1	
40		B471122000D		AIR TUBE LABEL J04 LEFT						1	
41		B471122000C		AIR TUBE LABEL J03 LEFT						1	
42		B471122000H		AIR TUBE LABEL J04 RIGHT						1	
43		B471122000G		AIR TUBE LABEL J03 RIGHT						1	
44		EA9500B0100		CABLE BAND						3	
45		PC012401000		SPEED CONTROLLER						2	

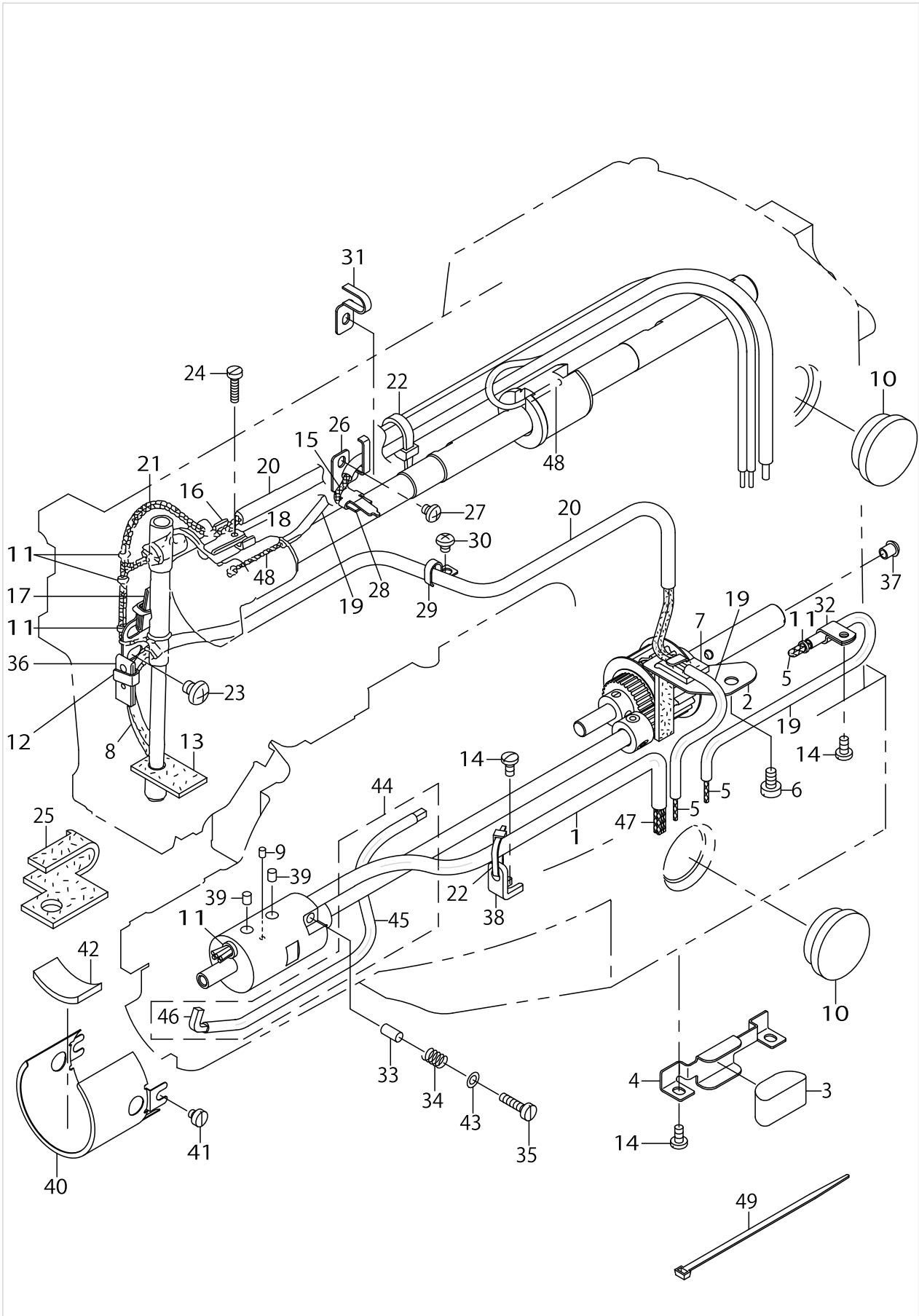
LUBRICATION COMPONENTS



LUBRICATION COMPONENTS

No.	Supply Code	Parts No.	Replacement	Parts name	Remarks	Choice	Step	Level	Cons	Qty	Rep. QTY
1		BT0700500EA		TUBE						.3	
2		14443204		GEAR LUBRICATING PLATE						1	
3		14114300		OIL FELT						1	
4		14114409		FELT PRESSER						1	
5		CQ202000000		OIL WICK						.45	
6	R	SS6120930SP	SS6120930TP	SCREW 3/16-28 L=9						1	1.00
7		14443303		GEAR LUBRICATING FELT						1	
8		B3541012000		OIL WICK						.47	
9		B1821210D00		SHUTTLE OIL FELT,B						1	
10		B3501210000		OIL GAUGE						2	
11		26230706		OIL WICK PRESSER						5	
12		14219513		LUBRICATION PLATE						1	
13		14114607		FACE FELT	FOR LK-1941					1	
14		SS7110840SP		SCREW 11/64-40 L=7.8						4	
15		CQ200000000		OIL WICK	FOR LK-1942					.4	
16		26231407		BALANCE LUBRICATING PLATE						1	
17		B3509220000		OIL SPONGE						1	
18		B3518280000		BALANCE LUBRICATING						1	
19		23630007		TUBE						1.07	
20		BP600000000		VINYL PIPE						.67	
21		CQ252200000		OIL WICK						1.6	
22		EA9500B0100		CABLE BAND						2	
23		SS4150715SP		SCREW 15/64-28 L=7						2	
24		SS6092120SP		SCREW 9/64-40 L=21.2						1	
25		14219604		OIL FELT	FOR LK-1942					1	
26		14219711		LUBRICATION PLATE	FOR LK-1942					1	
27		SS4110515SP		SCREW 11/64-40 L=5						1	
28		B3518280000		BALANCE LUBRICATING	FOR LK-1942					1	
29		26231902		OIL WICK PIPE STOPPER						1	
30		SS4110515SP		SCREW 11/64-40 L=5						1	
31	R	B3523980000	26231902	OIL WICK PIPE STOPPER	FOR LK-1941					1	1.00
32		HX00150000A		CABLE CLAMP						1	
33		12219705		PIN						1	
34		B2626372000		SPRING						1	
35		SS6111610SP		SCREW 11/64-40 L=16						1	
36		B3518280000		BALANCE LUBRICATING	FOR LK-1942					1	
37		TA0550604R0		RUBBER PLUG						1	
38		B1113223C00		COVER SUPPORTER						1	
39		B1820210D00		SHUTTLE OIL FELT,A						2	
40		14443402		HOOK OIL PREVENTION PLATE						1	
41		SS6110480SP		SCREW 11/64-40 L=4.3						2	
42		10126704		OIL FELT						1	
43		WP0450000SD		WASHER 4.5X8X0.5						1	
44		13530357		SHUTTLE ONCE TH-ROUGH OIL FELT						1	
45		13530308		SHUTTLE ONCE THROUGH FELT					*	1	
46		BP500000000		VINYL PIPE					*	18	

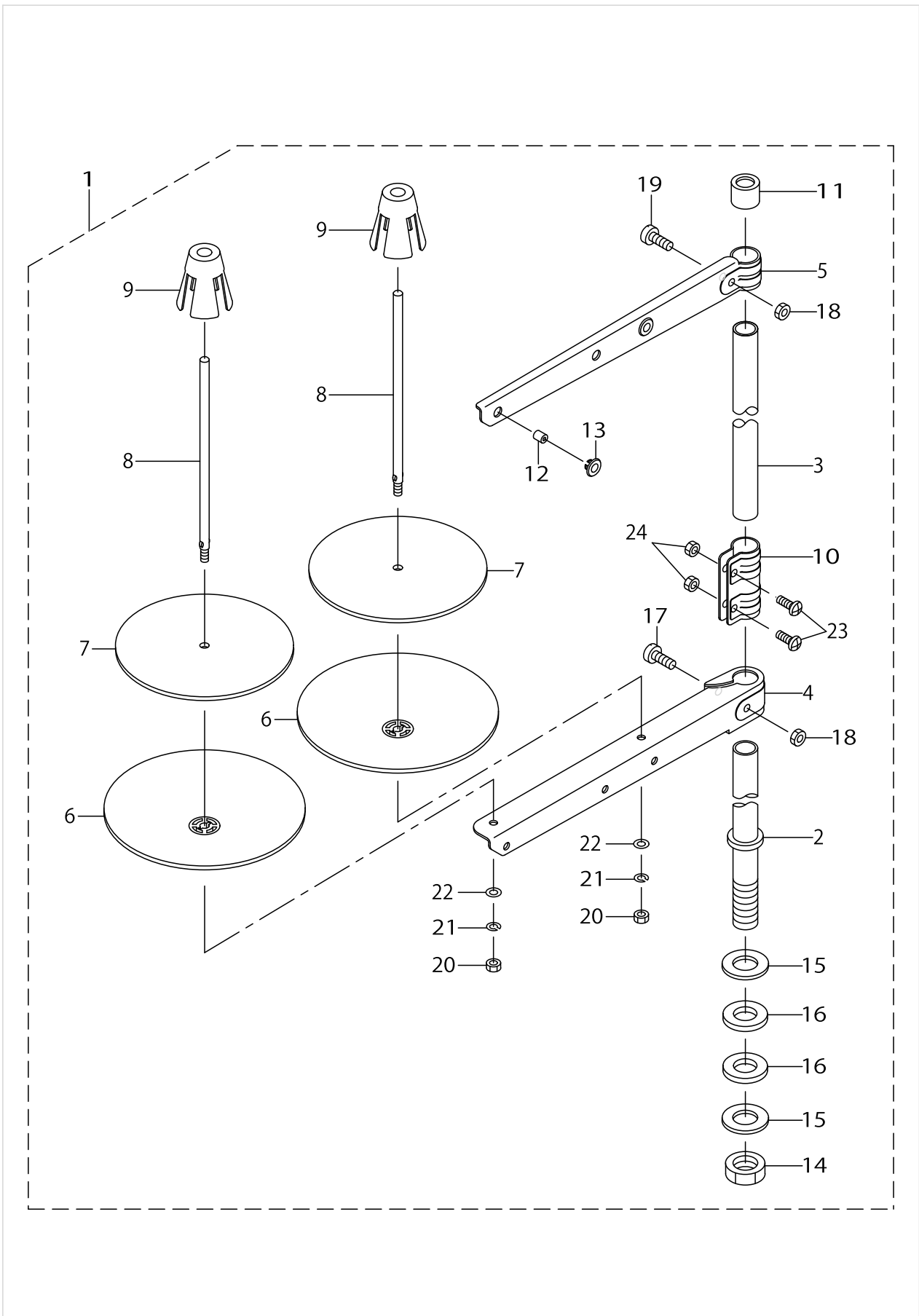
LUBRICATION COMPONENTS



LUBRICATION COMPONENTS

No.	Supply Code	Parts No.	Replacement	Parts name	Remarks	Choice	Step	Level	Cons	Qty	Rep. QTY
47		CQ200000000		OIL WICK						2.8	
48		CQ252000000		OIL WICK						1.2	
49		EA9500B0200		CABLE BAND 150						1	

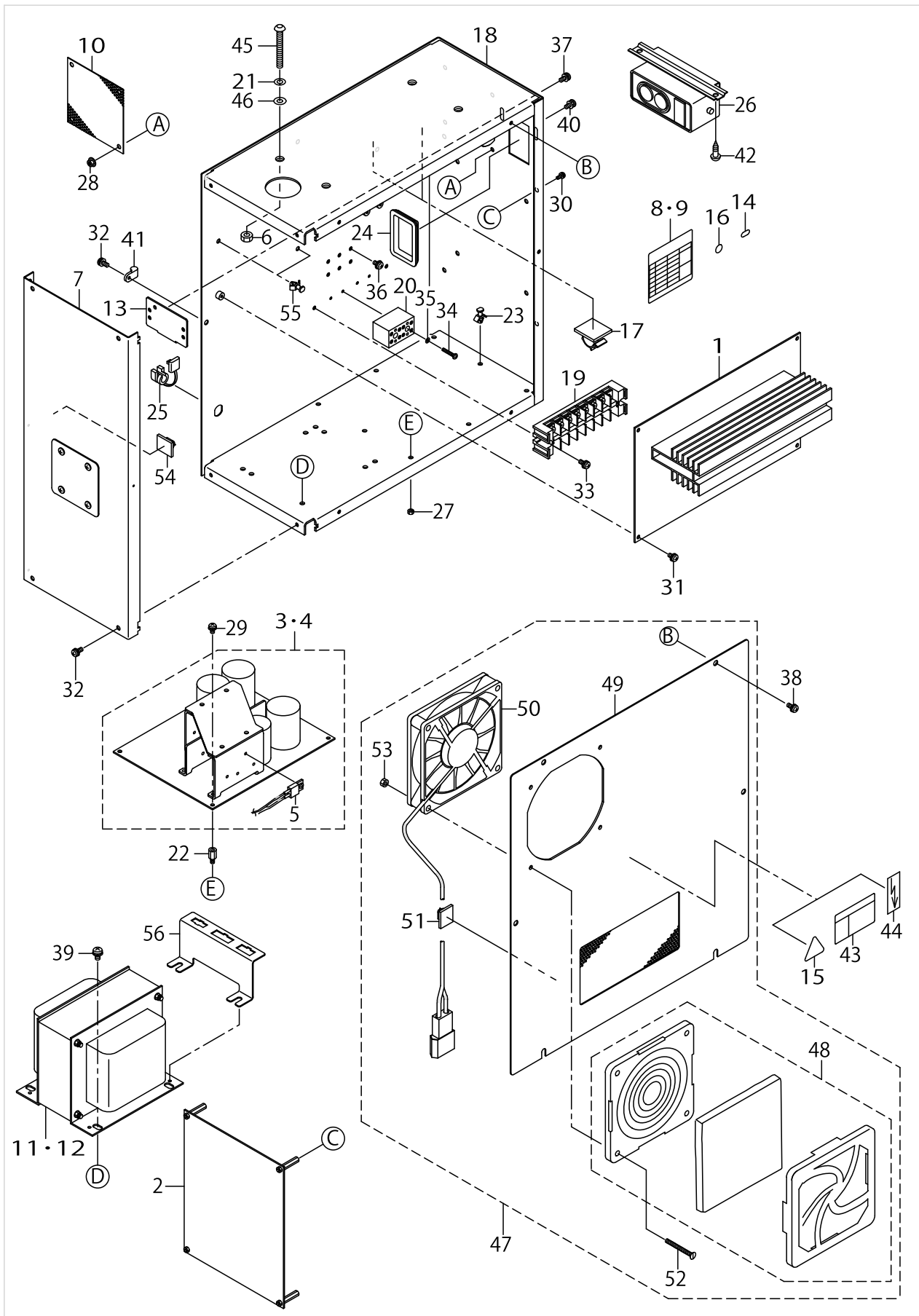
THREAD STAND COMPONENTS (EXCEPT FOR AW-2D)



THREAD STAND COMPONENTS (EXCEPT FOR AW-2D)

No.	Supply Code	Parts No.	Replacement	Parts name	Remarks	Choice	Step	Level	Cons	Qty	Rep. QTY
1		40096354		THREAD STAND ASM.						1	
2		40085784		SPOOL REST ROD LOWER				*		1	
3		40085785		SPOOL REST ROD UPPER				*		1	
4		40085786		SPOOL REST ARM LOWER				*		1	
5		40085787		SPOOL REST ARM UPPER				*		1	
6		40085788		SPOOL REST				*		2	
7		40085789		SPOOL REST CUSHION				*		2	
8		40085790		SPOOL PIN				*		2	
9		40085791		SPOOL RETAINER				*		2	
10		40085792		SPOOL REST ROD JOINT				*		1	
11		40085793		SPOOL REST ROD RUBBER CAP				*		1	
12		40085794		THREAD GUIDE				*		2	
13		40085795		THREAD GUIDE BUSHING				*		2	
14		40096325		SPOOL REST ROD NUT				*		1	
15		WP1612616SE		WASHER 16X30X2.6				*		2	
16		40085796		SPOOL REST ROD RUBBER CUSHION				*		2	
17		40096326		SPOOL REST ARM LOWER SCREW				*		1	
18		NM6050001SE		NUT M5				*		2	
19	R	40096327	SM4053001SE	SPOOL REST ARM UPPER SCREW				*		1	1.00
20		NM6050001SE		NUT M5				*		2	
21		WS0510002KN		SPRING WASHER M5				*		2	
22		WP0531001SC		WASHER M5				*		2	
23		SM4051405SE		SCREW M5 L=14				*		2	
24		NM6050001SE		NUT M5				*		2	

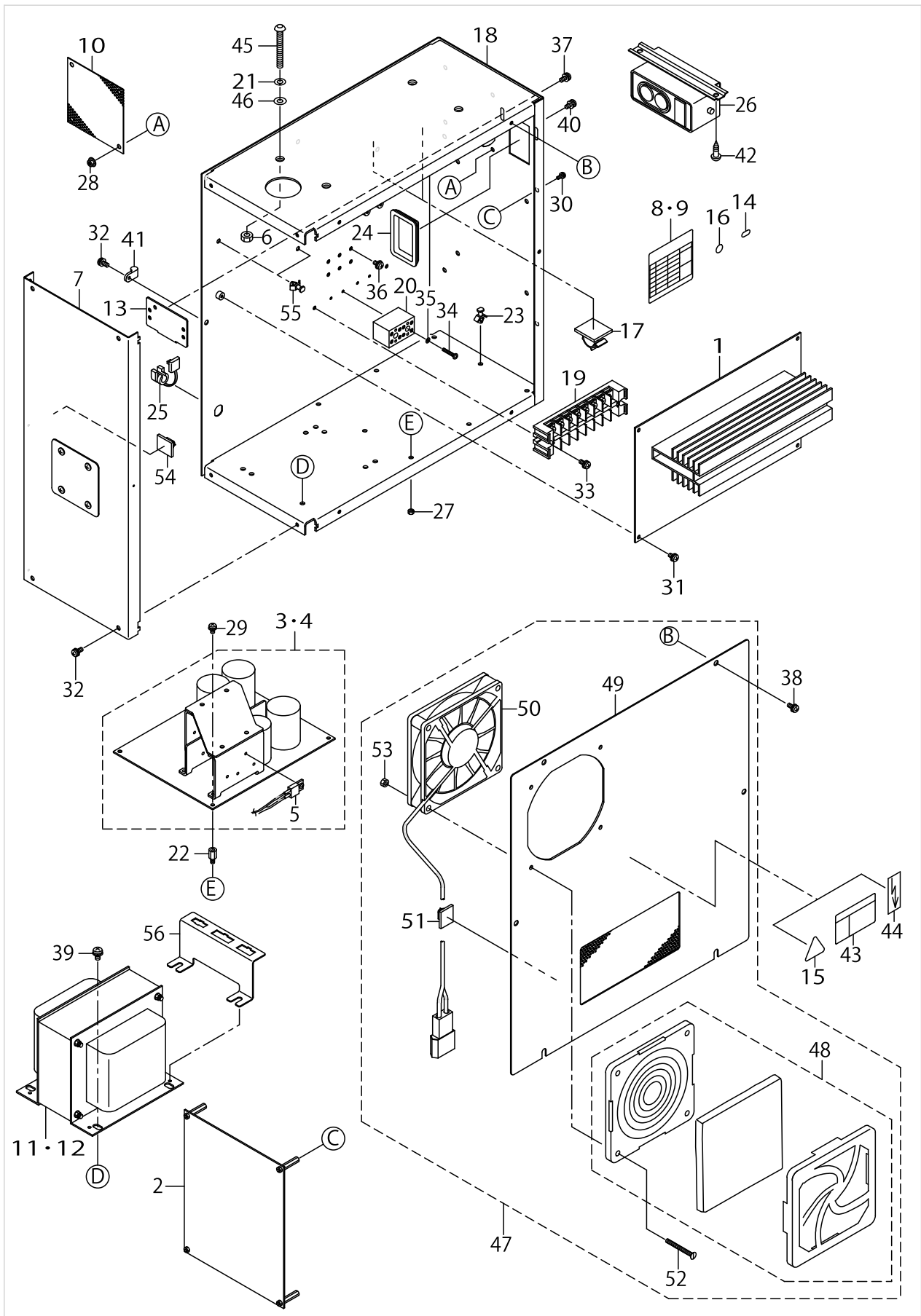
CONTROL BOX COMPONENTS



CONTROL BOX COMPONENTS

No.	Supply Code	Parts No.	Replacement	Parts name	Remarks	Choice	Step	Level	Cons	Qty	Rep. QTY
1		M8601594AA0		MAIN CIRCUIT BOARD A ASM.						1	
2		40150001		SDC PCB ASSY						1	
3		M86045900C0		POWER CIRCUIT BOARD ASM.	FOR 200V					1	
4		M8604590AC0		POWER CIRCUIT BOARD A ASM.	FOR 380V					1	
5		M89105900A0		THERMOSTAT ASM.				*		1	
6		NM6060001SC		NUT M6						4	
7		M10035940A0		CONTROL BOX PANEL ASM.						1	
8		M300359000A		SEAL A	FOR 200V					1	
9		M300258000B		SEAL B	FOR 380V					1	
10		M1004581000		VENTILATION COVER						1	
11		M8901594AA0		TRANSFORMER A ASM.	FOR 200V					1	
12		M8901594BA0		TRANSFORMER B ASM.	FOR 380V					1	
13		17845009		CORD FITTING PLATE						1	
14		CM200100001		PE MARK LABEL	FOR 380V					1	
15		CM300100001		LABEL	FOR 380V					1	
16		E9567319000		EARTH MARK						1	
17		E9609603000		STICKER (LARGE)						3	
18	R	M1001590000	40098641	CONTROL BOX						1	1.00
19		HK026650080		TERMINAL BASE 8P	FOR 200V					1	
20		HK054250040		TERMINAL BASE	FOR 380V					2	
21		WS0610002KN		SPRING WASHER 6.1X12.2X1.5						4	
22		HX00056000B		SPACER						4	
23		HX00147000C		SPACER						4	
24		HX004070000		BUSH						1	
25		HX004100000		BUSH						1	
26		HA004250000		SWITCH	EXCEPT JE					1	
27		NM3034000SF		FLANGE NUT						4	
28		NM3040520SF		FLANGE NUT M4						4	
29		SL4030681SF		SCREW M3 L=6						4	
30		SL4030891SC		SCREW M3X8						4	
31		SL4040881SF		SCREW M4 L=8						4	
32		SL4041091SC		SCREW M4 L=10						7	
33		SL4041081SF		SCREW M4 L=10	FOR 200V					2	
34		SM4031851SR		SCREW	FOR 380V					4	
35		WS0310702KS		SPRING WASHER	FOR 380V					4	
36		SL4040681SC		COMBINATION SCREW M4X8						4	
37		SL4041091SC		SCREW M4 L=10						2	
38		SL4041091SC		SCREW M4 L=10						6	
39		SL4051091SC		SCREW M5X0.8 L=10						4	
40		SL4041091SC		SCREW M4 L=10						4	
41		HX00123000B		CABLE CLIP						1	
42		SK3482001SE		WOOD SCREW D=4.8 L=20	EXCEPT JE					2	
43		CM300100101		DANGER LABEL (SMALL)	FOR 200V(- FOR USE IN JAPAN)					1	
44		G6705152U0A		LABEL	FOR 200V(- FOR EXPORT)					1	
45		SM3065052TC		SCREW						4	

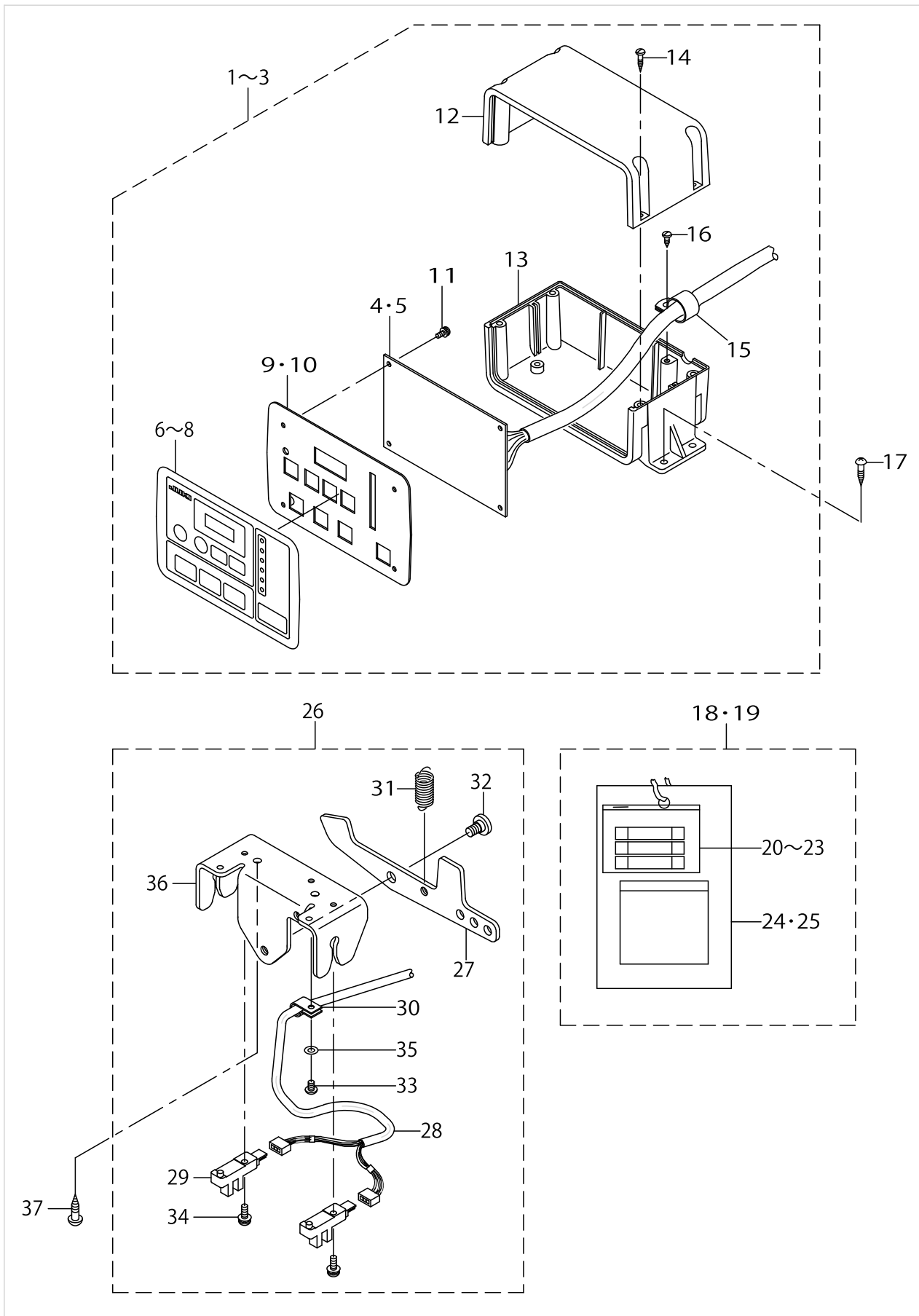
CONTROL BOX COMPONENTS



CONTROL BOX COMPONENTS

No.	Supply Code	Parts No.	Replacement	Parts name	Remarks	Choice	Step	Level	Cons	Qty	Rep. QTY
46		WP0651001SC		WASHER							4
47		M85205920A0		FAN COVER ASM.							1
48		HM000630010		FILTER				*			1
49		M10025920A0		CONTROL BOX COVER ASM.				*			1
50		M85105810A0		FAN ASM.				*			1
51		E9607603000		STICKER (SMALL)				*			1
52		SM1044050SM		SCREW M4X0.7 L=40				*			4
53		NM3040520SF		FLANGE NUT M4				*			4
54		E9607603000		STICKER (SMALL)							2
55		HX001470000		PCB HOLDER							4
56		M1007594000		CONNECTOR STOPPER PLATE							1

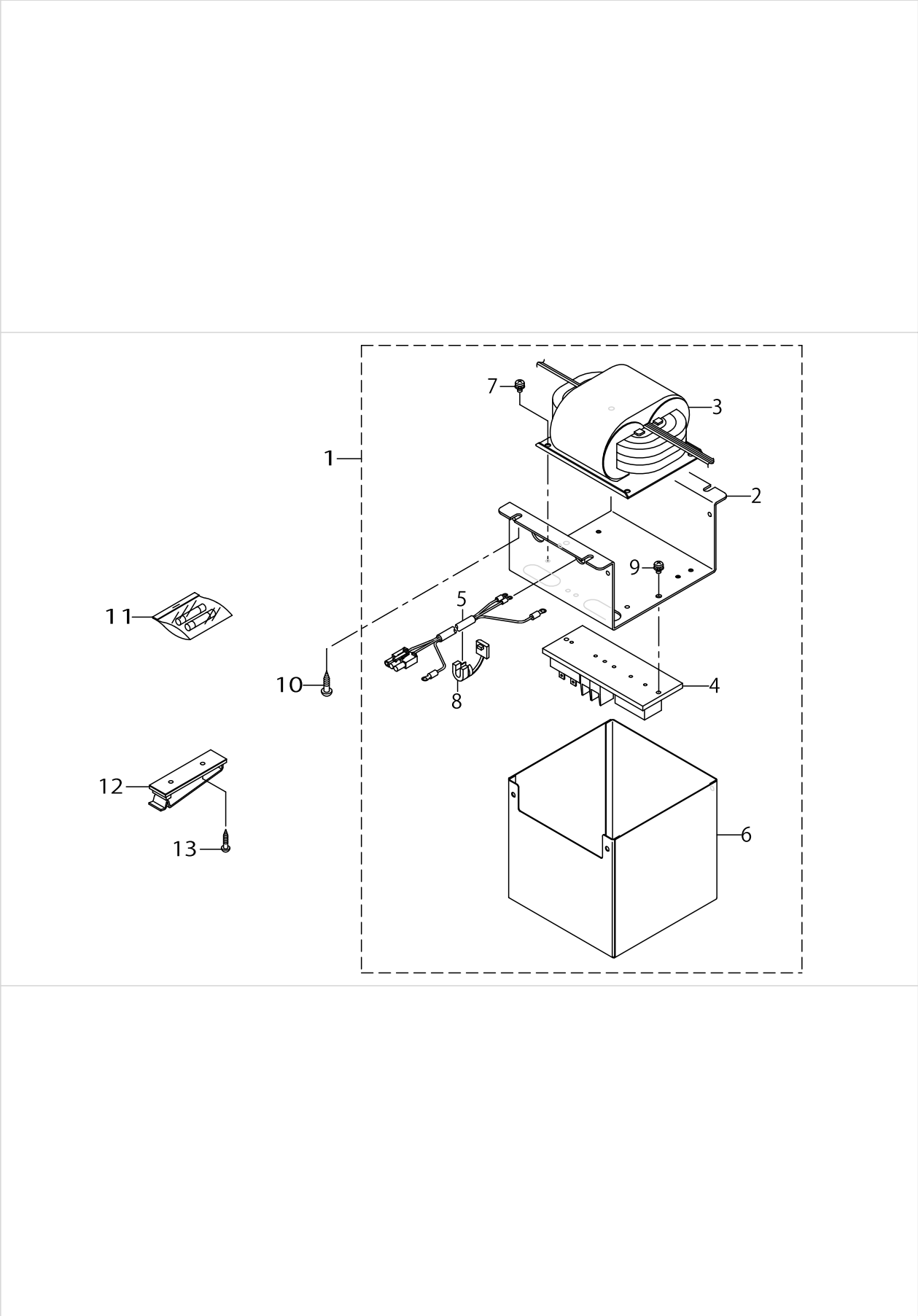
OPERATION BOX & PEDAL COMPONENTS



OPERATION BOX & PEDAL COMPONENTS

No.	Supply Code	Parts No.	Replacement	Parts name	Remarks	Choice	Step	Level	Cons	Qty	Rep. QTY
1		M8510594AA0		OPERATION BOX A ASM.	FOR USE IN JAPAN					1	
2		M8510594BA0		OPERATION BOX B ASM.	FOR EXPORT					1	
3		M8510594CA0		OPERATION BOX C ASM.	FOR AW-2D					1	
4		M86065940A0		OPERATION CIRCUIT BOARD ASM.	EXCEPT F-OR AW-2D			*		1	
5		M86075940A0		CIRCUIT BOARD AW ASM.	FOR AW-2D			*		1	
6		M300259400A		PANEL SHEET(JAPANESE)	FOR USE IN JAPAN			*		1	
7		M300259400B		PANEL SHEET(ENGLISH)	FOR EXPORT			*		1	
8		M300259400C		OPERATION PANEL SEAT(JAPANESE)	FOR AW-2D			*		1	
9		M1012592000		OPERATION PANEL PLATE	EXCEPT F-OR AW-2D			*		1	
10		M1012594000		OPERATION PANEL PLATE(WITH AW)	FOR AW-2D			*		1	
11		SL4030881SF		SCREW				*		4	
12		M1011590000		OPERATION BOX B				*		1	
13		M1010590000		OPERATION BOX A				*		1	
14		ST40316110R		TAPPING SCREW D=3 L=16				*		4	
15		EA9502B0500		CABLE CLIP				*		1	
16		SV4031006SR		SCREW M3 L=10				*		1	
17		SK3382001SE		SCREW D=3.8 L=20						4	
18		M85995900A0		ACCESSORIES PART ASM.	FOR 200V					1	
19		M8599590AA0		ACCESSORIES PART A ASM.	FOR 380V					1	
20		HF001301000		TIMING LAG FUSE				*		1	
21		HF0041080P0		FUSE 8A				*		1	
22		E8523304000		FUSE 10A				*		1	
23		HF002900300		FUSE 250V 3A				*		1	
24		M300451100A		VOLTAGE INDICATION CARD,A	FOR 200V			*		1	
25		M3003580000		VOLTAGE INDICATION CARD,B	FOR 380V			*		1	
26		M85205900A0		1-PEDAL ASM.	EXCEPT F-OR AW-2D					1	
27		M1031590000		PEDAL SWITCH LEVER				*		1	
28		M90115900A0		PEDAL SWITCH CABLE ASM.				*		1	
29		HD002230000		PHOTO SENSOR				*		2	
30		HX001230000		CABLE CLIP				*		1	
31		B2583210D00		SPRING				*		1	
32		SD0800331TH		HINGE SCREW D=8 H=3.25				*		1	
33		SM4040601SC		SCREW M4X0.7 L=6				*		1	
34		SL4041291SC		SCREW M4 L=12				*		2	
35		WP0430801SC		WASHER 4.3X9X0.8				*		1	
36		M1030590000		PEDAL SWITCH FRAME				*		1	
37		SK3482001SE		WOOD SCREW D=4.8 L=20						2	

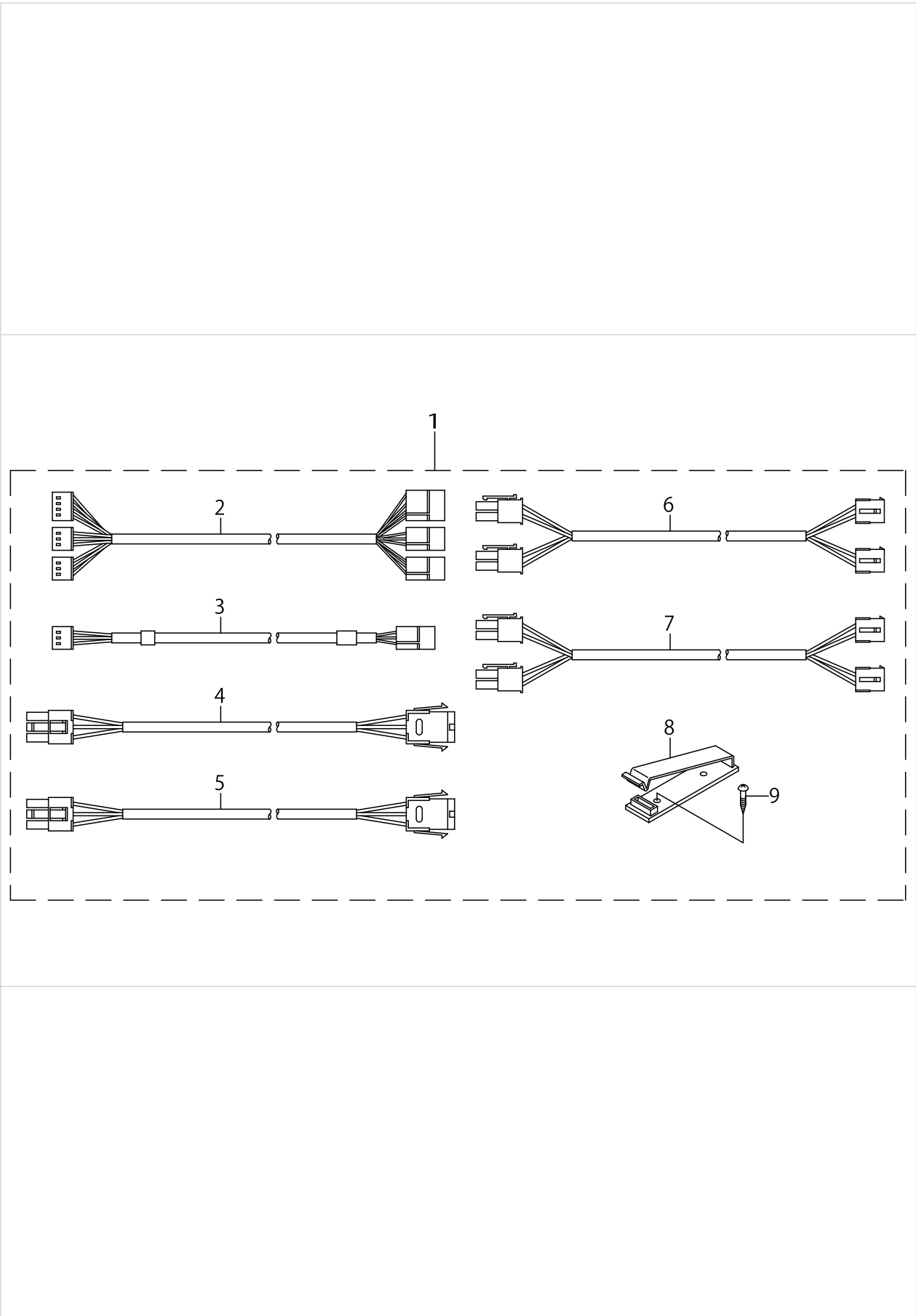
HEATER UNIT COMPONENTS (Z TYPE)



HEATER UNIT COMPONENTS (Z TYPE)

No.	Supply Code	Parts No.	Replacement	Parts name	Remarks	Choice	Step	Level	Cons	Qty	Rep. QTY
1		M85215940A0		HEATER UNIT ASM.						1	
2		M1022594000		TRANSFORMER FITTING BASE				*		1	
3		M89025940A0		HEATER TRANSFORMER ASM.				*		1	
4		M85225940A0		HEATERSWITCHASM.				*		1	
5		M90215940A0		HEATER POWER SOURCE CORD ASM.				*		1	
6		MAT00616000		CONTROL UNIT COVER				*		1	
7		SL4040881SF		SCREW M4 L=8				*		4	
8		HX004100000		BUSH				*		1	
9		SL4040881SF		SCREW M4 L=8				*		2	
10		SK3482001SE		WOOD SCREW D=4.8 L=20						4	
11		M85995940A0		ACCESSORIE PART ASM.						1	
12		M964051000A		CABLE CLIP						1	
13		SK3382001SE		SCREW D=3.8 L=20						2	

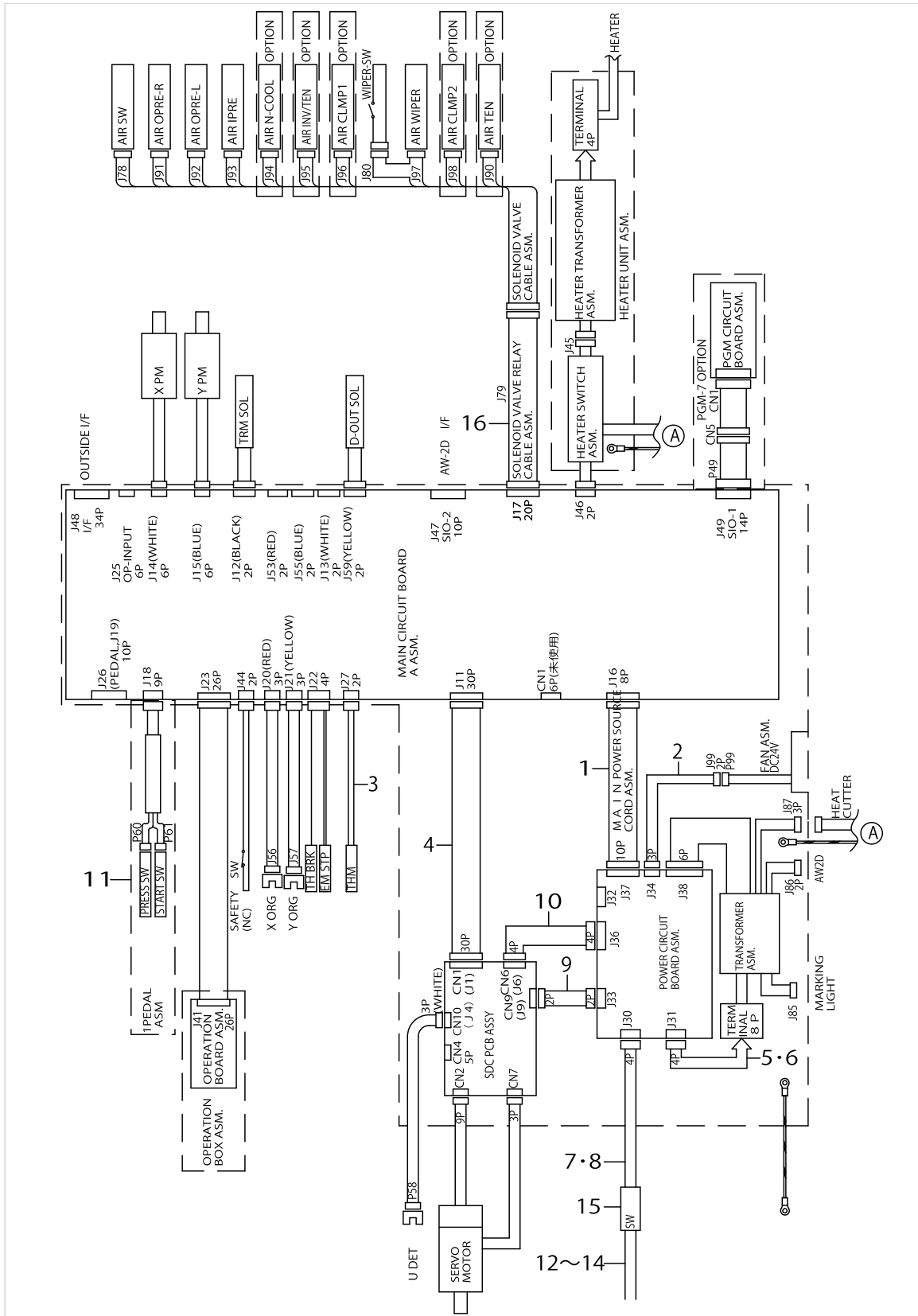
EXTENSION CABLE COMPONENTS



EXTENSION CABLE COMPONENTS

No.	Supply Code	Parts No.	Replacement	Parts name	Remarks	Choice	Step	Level	Cons	Qty	Rep. QTY
1		M85985920A0		EXTENSION CABLE MAS.ASM.	FOR JUS					1	
2		M90445920A0		SENSOR EXTENSION CABLE ASM.				*		1	
3		M90475900A0		SENSOR EXTENSION CABLE ASM.				*		1	
4		M90415900A0		EXTENSION CABLE ASM.				*		1	
5		M90425900A0		EXTENSION CABLE ASM.				*		1	
6		M90435900A0		SOLENOID EXTENSION CABLE ASM.				*		1	
7		M90435920A0		SOLENOID EXTENSION CABLE A ASM				*		1	
8		M964051000A		CABLE CLIP				*		1	
9		SK3382001SE		SCREW D=3.8 L=20				*		2	

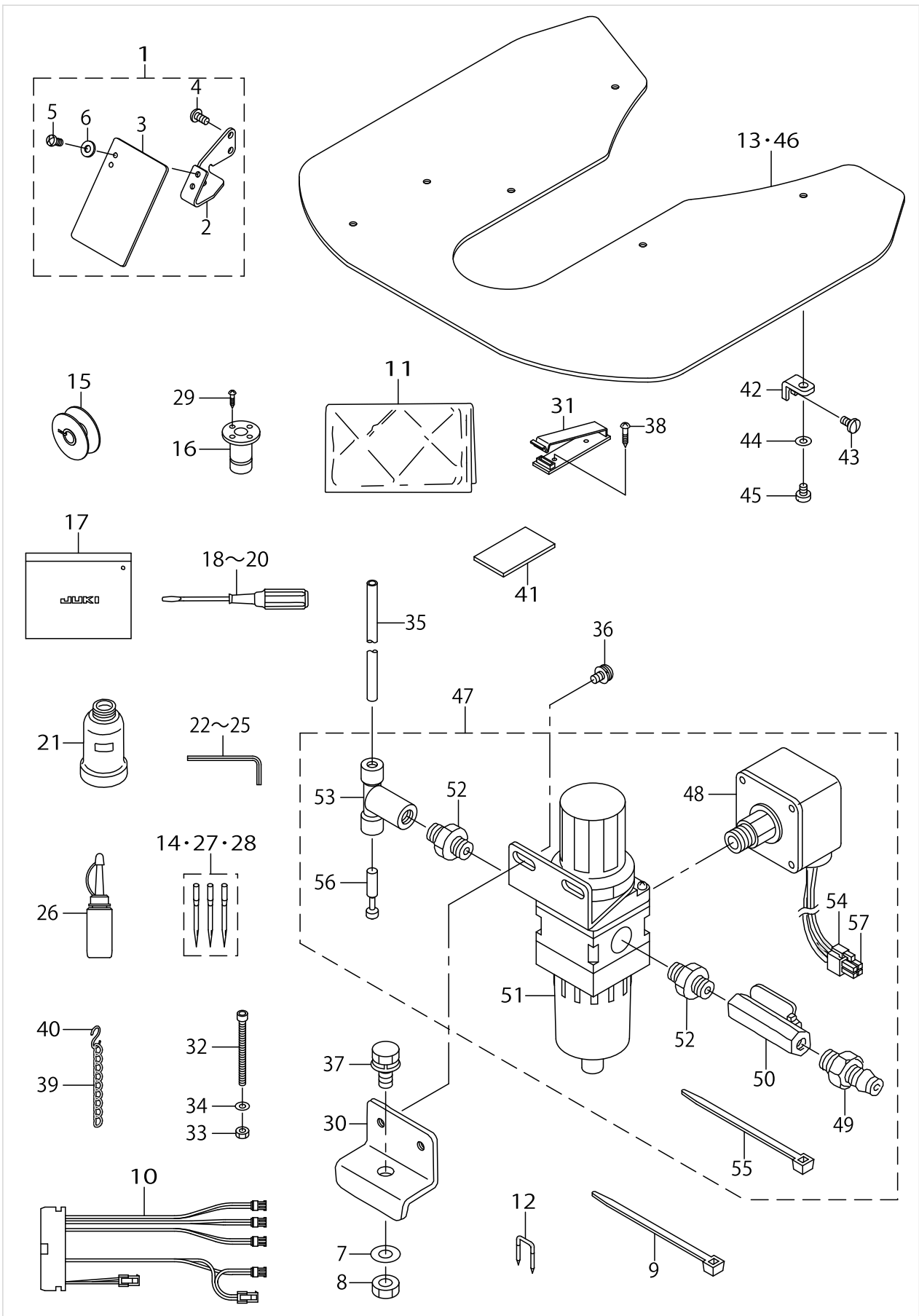
WIRING DIAGRAM



WIRING DIAGRAM

No.	Supply Code	Parts No.	Replacement	Parts name	Remarks	Choice	Step	Level	Cons	Qty	Rep. QTY
1		M90015900A0		MAIN POWER CORD ASM.						1	
2		M90105810A0		FAN CONNECTING CORD ASM.						1	
3		M89105900A0		THERMOSTAT ASM.						1	
4		M90085800A0		SERVO SIGNAL CORD ASM.						1	
5		M90205800A0		TRANSFORMER POWER CORD ASM.	FOR 200V					1	
6		M9020580AA0		TRANSFORMER POWER CORD ASM.,A	FOR 380V					1	
7		M90225900A0		POWER CORD ASM.	FOR 200V					1	
8		M90235900A0		POWER CORD A ASM.	FOR 380V					1	
9		M90025800A0		SERVO POWER CORD ASM.,B						1	
10		M90315900A0		SERVO POWER CORD ASM.,A						1	
11		M85205900A0		1-PEDAL ASM.						1	
12		M90175800A0		POWER CABLE ASM.	FOR 200V(-3-PHASE), 380V(FOR EXPORT)					1	
13		M90285800A0		POWER CABLE ASM.	FOR MC-594-ΔM					1	
14		M90245800A0		POWER CABLE ASM.,100V	FOR 1-PHASE					1	
15		HA004250000		SWITCH						1	
16		M90145800A0		RELAY CABLE ASM.						1	

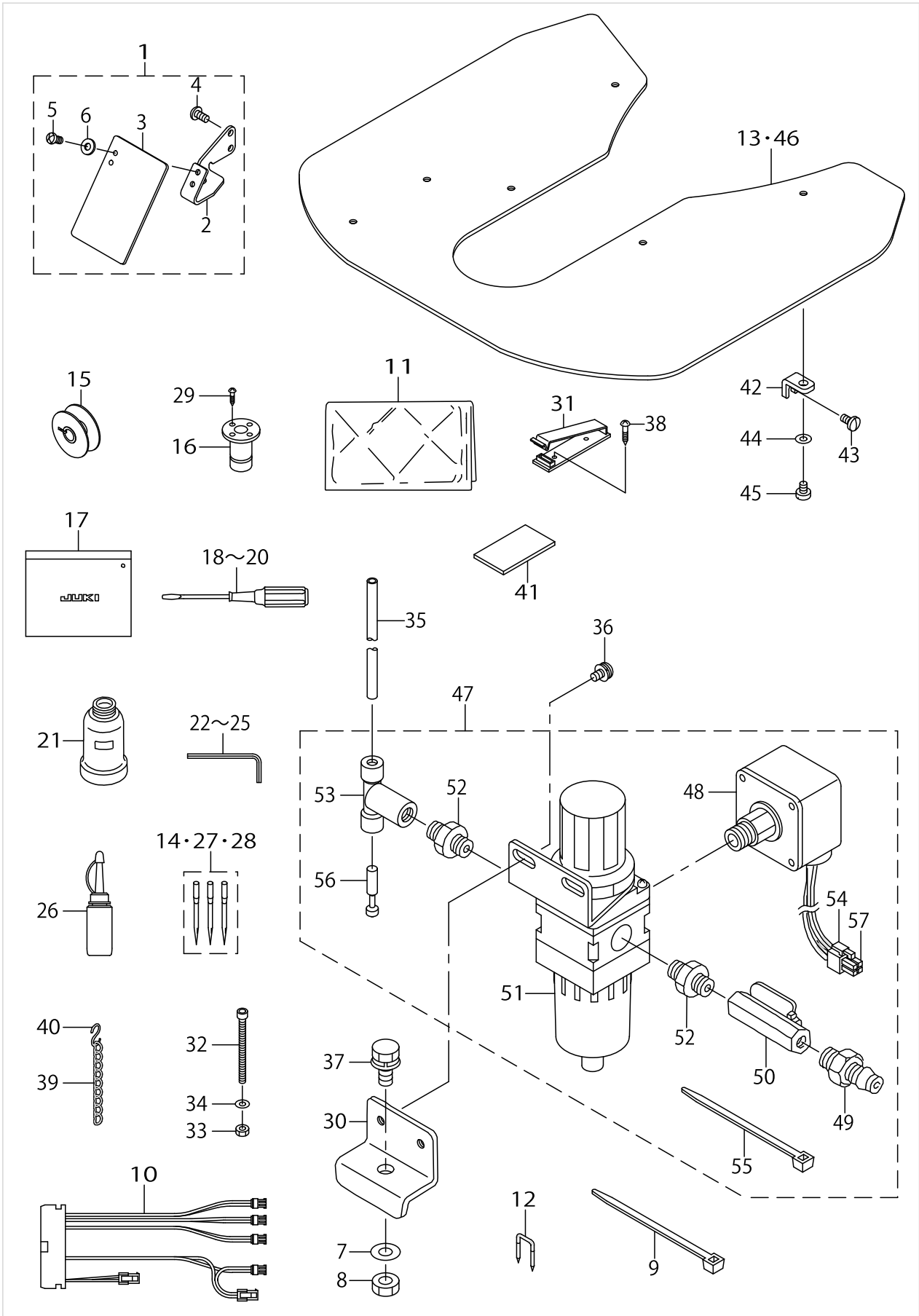
ACCESSORIE PART COMPONENTS



ACCESSORIE PART COMPONENTS

No.	Supply Code	Parts No.	Replacement	Parts name	Remarks	Choice	Step	Level	Cons	Qty	Rep. QTY
1		40052806		SAFETY PLATE ASM						1	
2		40051987		SAFETY PLATE BASE				*		1	
3		26037200		SAFETY PLATE				*		1	
4		SS4110715SP		SCREW 11/64-40 L=7				*		2	
5		SM4040655SP		SCREW M4 L=6				*		2	
6		WP0450801SD		WASHER 4.5X10X0.8				*		2	
7		WP0871602SE		WASHER 8.7X18X1.6						1	
8		NM6080721SE		NUT M8						1	
9		EA9500B0100		CABLE BAND						5	
10		14444657		ELECTROMAGNETIC VALVE ASM.						1	
11		26234005		VINYL COVER						1	
12		MAO11532000		CORD STAPLE						10	
13		14442008		NEEDLE PLATE AUXILIARY COVER	FOR AW-2D					1	
14		MDP170B2302		NEEDLE DPX17#23-2	G TYPE					1	
15		14436406		BOBBIN	EXCEPT F-OR AW-2D					1	
16		B8202205000		OIL MANAGEMENT						1	
17		22932800		ACCESSORIE BAG						1	
18		22933006		SCREW DRIVER,LARGE						1	
19		22933105		SCREW DRIVER,MIDDLE						1	
20		22933204		SCREW DRIVER,SMALL						1	
21		B9121012000		OIL CAN						1	
22		B9140372000		HEXAGONAL WRENCH, SMALL						1	
23		10038909		HEXAGONAL WRENCH						1	
24		J106600000D		HEXAGONAL WRENCH KEY						1	
25		GCT02906000		HEXAGONAL SPANNER						1	
26		B91212200A0		OILER (CONTAINING NO.2 OIL)						1	
27	D	MDP170B2602		NEEDLE DPX17 #26-2						1	
28	R	MDP170B1802	MDP170B1800	NEEDLE DPZ17#18-2	H TYPE					1	1.00
29		SK3311601SE		WOOD SCREW D=3.1 L=16						4	
30		40023662		FILTER INSTALLING PLATE						1	
31		M964051000A		CABLE CLIP	Z TYPE					1	
32		SM6067552TP		HEXAGONAL-HOLE BOLT M6 L=75						1	
33		NM6060001SC		NUT M6						1	
34		WP0651646SC		WASHER						1	
35		BT0600401EB		TUBE						1	
36		SL4051091SC		SCREW M5X0.8 L=10						2	
37		SL9082093SE		SCREW						1	
38		SK3382001SE		SCREW D=3.8 L=20	Z TYPE					1	
39	R	B8103980000	26037903	CHAIN	EXCEPT F-OR AW-2D					1	1.00
40	R	B8133019000	13160304	S SHAPED HOOK	EXCEPT F-OR AW-2D					2	1.00
41		B2564215000		SPONGE				*		1	
42		B1113223C00		COVER SUPPORTER						4	
43		SS7110840SP		SCREW 11/64-40 L=7.8						4	
44		WP0520656SA		WASHER 5.2X9.5X0.6						4	
45		SS6110610TP		SCREW 11/64-40 L=6						4	

ACCESSORIE PART COMPONENTS



ACCESSORIE PART COMPONENTS

No.	Supply Code	Parts No.	Replacement	Parts name	Remarks	Choice	Step	Level	Cons	Qty	Rep. QTY	
46		14223010		NEEDLE PLATE SUPPORT COVER	EXCEPT F-OR AW-2D					1		
47		B47152150A0		FILTER REGULATOR ASM.							1	
48	R	G8124270000	G85048750A0	AIRPRESSUESWITCH		A	AVP-875	*			1	1.00
48	R	G8124270000	40030951	AIRPRESSUESWITCH		B	AMS-210E-N,AMS-221EN	*			1	1.00
48	R	G8124270000	B47152150A0	AIRPRESSUESWITCH		C	MEB-3200,-LK-1910/2-0/30/41,AMS-224E	*			1	1.00
49		PJ309005203		QUICK JOINT PLUG				*			1	
50	R	G5430116000	40030951	AIR COCK				*			1	1.00
51		PF0552040B0		FILTER REGULATOR				*			1	
52		PJ030520001		RING JOINT (NIPPLE)				*			2	
53		PJ305065202		TEE				*			1	
54		HK034610040		HOUSING				*			1	
55		EA9500B0100		CABLE BAND				*			5	
56		PX950009000		PLUG			*			1		
57		HK034640000		PIN CONTACT			*			3		

TABLE COMPONENTS (EXCEPT FOR AW-2D)

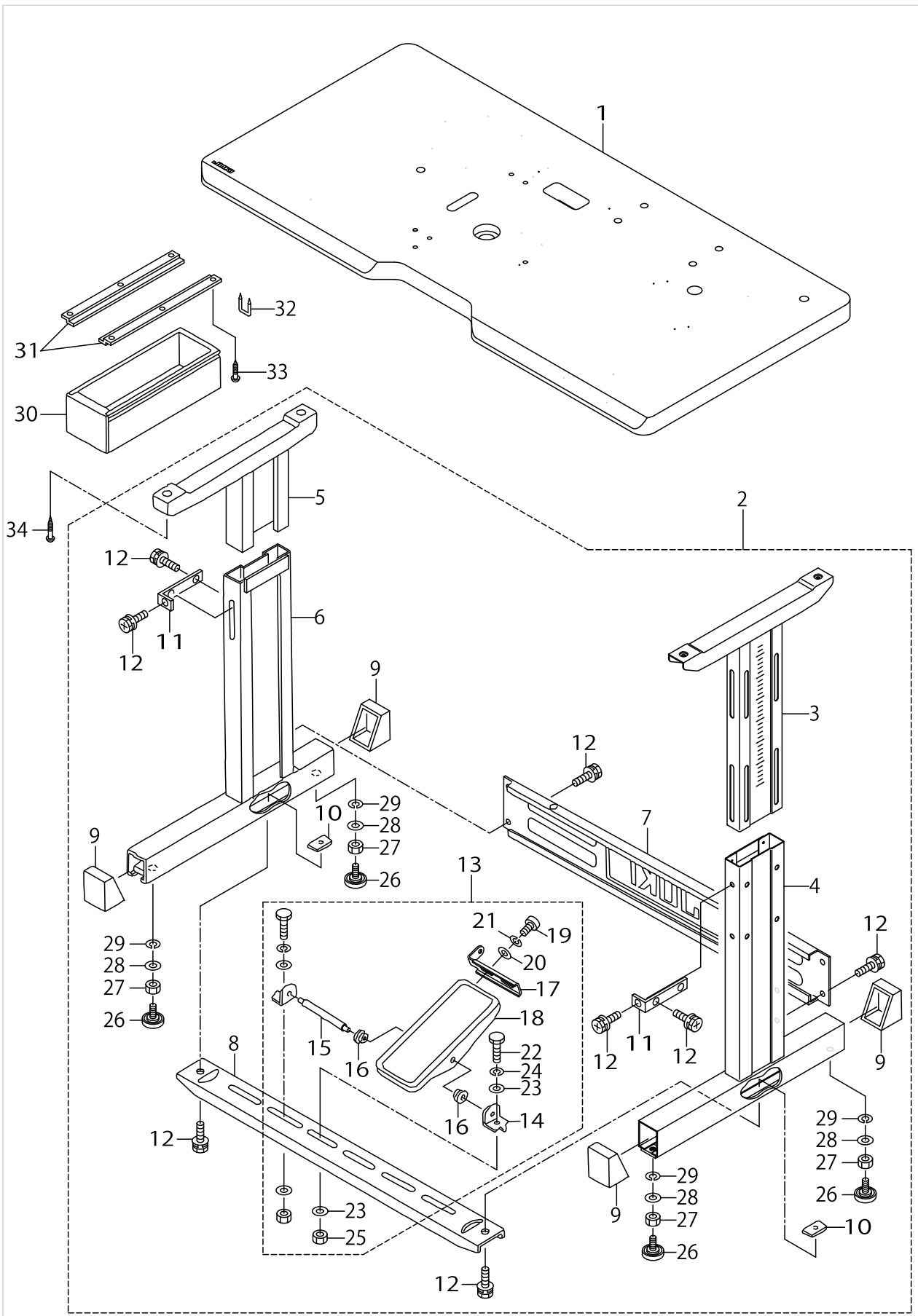
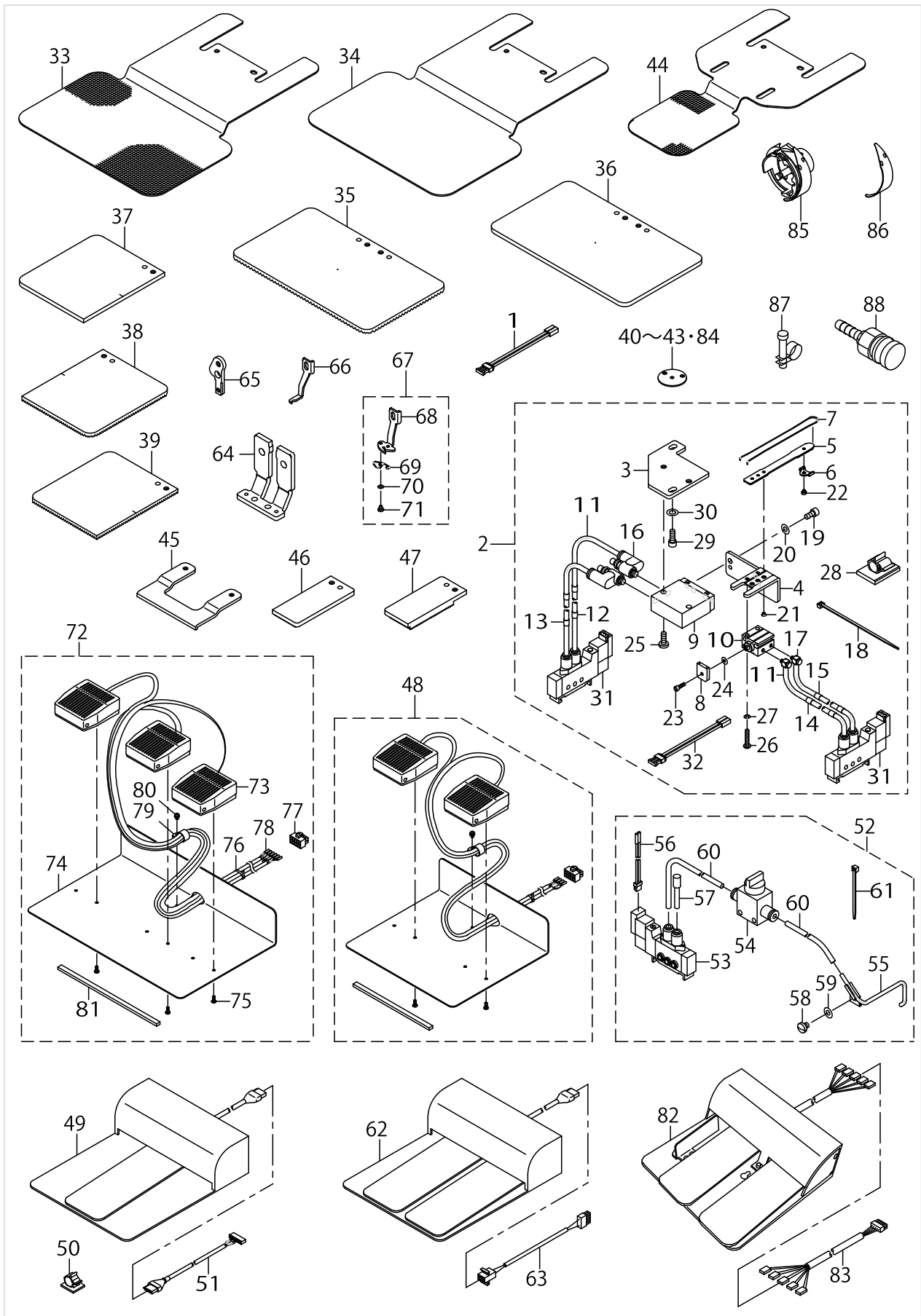


TABLE COMPONENTS (EXCEPT FOR AW-2D)

No.	Supply Code	Parts No.	Replacement	Parts name	Remarks	Choice	Step	Level	Cons	Qty	Rep. QTY
1	R	14117519	14117550	UPRIGHT TABLE						1	1.00
2		14118053		T-STAND COMPL.						1	
3		14118152		UPPER STAND ASM.,RIGHT				*		1	
4		14118251		STAND ASM.,RIGHT				*		1	
5		B8101210AAB		UPPER STAND ASM.				*		1	
6		B8105210AAA		STAND ASM.				*		1	
7	D	11158300		STAND SIDE SUPPORT				*		1	
8		11158409		STAND SIDE SUPPORT				*		1	
9		11158607		RUBBER CAP				*		4	
10		17007402		NUT				*		2	
11		11158516		UPPERSTANDPLATE				*		2	
12		SL9082091SE		WASHER HEXAGONAL BOLT				*		12	
13		13817754		Z-STAND PEDAL ASM.				*		1	
14		11159001		PEDAL SHAFT BRACKET				*		2	
15		B8153771000		PEDAL CONNECTING ROD				*		1	
16		D8113555B00		PEDAL BUSHING				*		2	
17		GPF06080000		PEDAL ADJUSTING PLATE				*		1	
18		GPF060600A0		PEDAL ASM.				*		1	
19		SM9061203SE		SCREW M6 L=12				*		2	
20		WP0671016SE		WASHER 6.7X13X1				*		2	
21		WS0621210KR		SPRING WASHER 6.2X11.4X1.2				*		2	
22		SM9082023SE		SCREW M8 L=20				*		2	
23		WP0871602SE		WASHER 8.7X18X1.6				*		4	
24		WS0861410KR		SPRING WASHER 8.6X15X1.4				*		2	
25		NM6080721SE		NUT M8				*		2	
26		B81085550A0		ADJUSTING SCREW ASM. WITH CAP				*		4	
27		NM6120001SE		NUT M12				*		4	
28		WP1302501SE		WASHER M12				*		4	
29		WS1253010KN		SPRING WASHER 12.5X21.5X3				*		4	
30	R	11155108	11155157	DRAWER						1	1.00
31		11155207		DRAWER SUPPORT						2	
32		D8204555D00		DRAWER STOPPER						1	
33		SK3311601SE		WOOD SCREW D=3.1 L=16						6	
34		SK3513201SE		WOOD SCREW D=5.1 L=32						4	

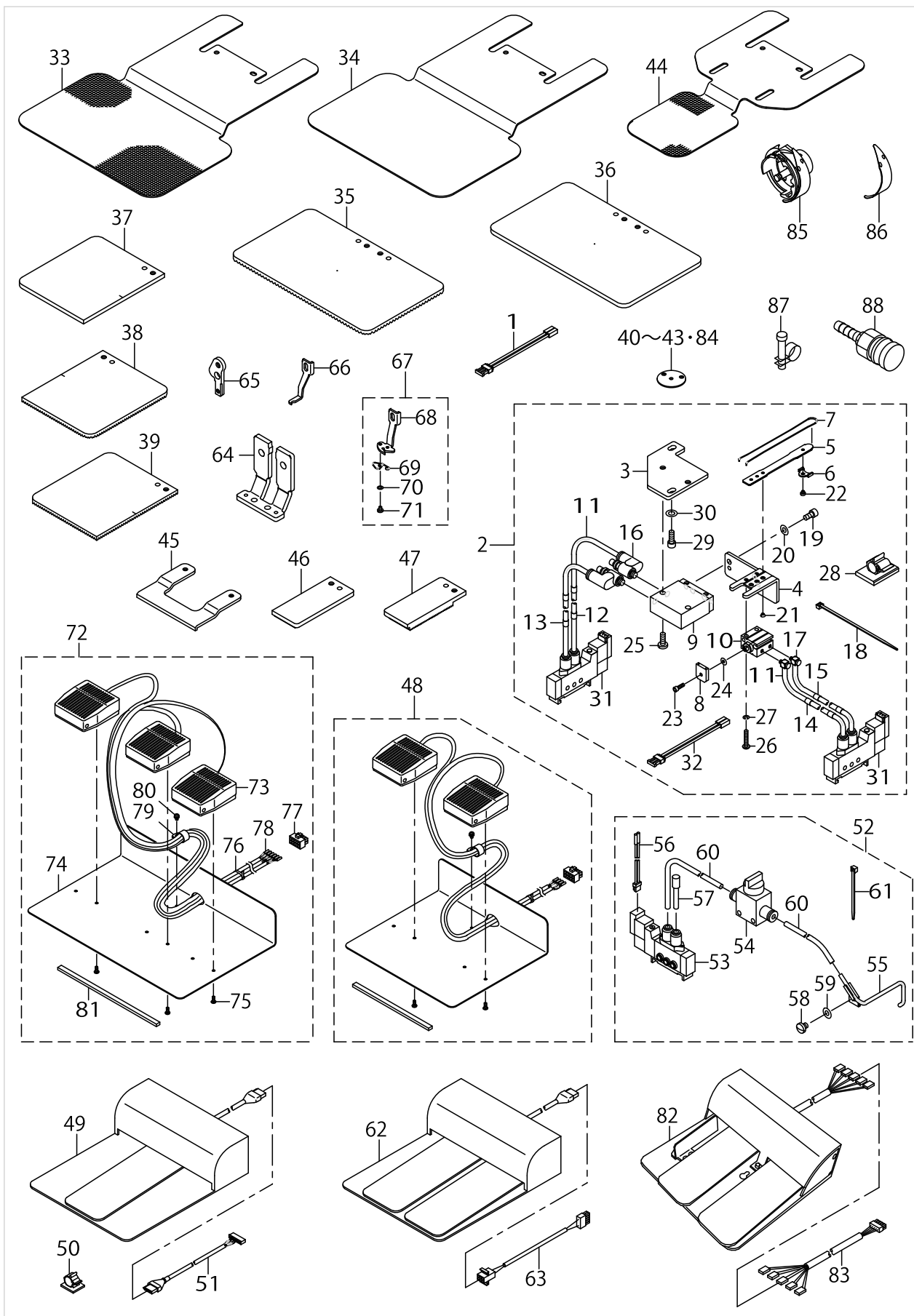
OPTIONAL PART COMPONENTS(1)



OPTIONAL PART COMPONENTS(1)

No.	Supply Code	Parts No.	Replacement	Parts name	Remarks	Choice	Step	Level	Cons	Qty	Rep. QTY
1		14204754		SOLENOID VALVE CONNECTOR ASM.						1	
2	D	14445050		THREAD CLAMP DEVICE ASM.						1	
3	D	14445407		THREAD CLAMP BASE				*		1	
4	D	14445308		THREAD CLAMP CYLINDER BASE				*		1	
5	D	14445100		THREAD CLAMP GUIDE A				*		1	
6	D	14445209		THREAD CLAMP GUIDE B				*		1	
7	D	14445506		THREAD CLAMP WIRE				*		1	
8	D	14445605		THREAD CLAMP WIRE JOINT				*		1	
9		PA100101900		AIR CYLINDER				*		1	
10		PA060060100		AIR CYLINDER				*		1	
11		BT0400251EB		URETHANE HOSE, BLACK				*		1	
12		HX00295000F		WIRE MARK (7)				*		1	
13		18035709		WIRE MARK (8)				*		2	
14		18035808		WIRE MARK (9)				*		2	
15		18035907		WIRE MARK (10)				*		2	
16		PC010519000		SPEED CONTROLLER				*		2	
17		PJ046039001		ELBOW				*		2	
18		EA9500B0100		CABLE BAND				*		2	
19		SM6040802TP		SCREW M4X0.7 L=8				*		2	
20		WP0430801SE		WASHER 4.3X9X0.8				*		2	
21		SS1060210TP		SCREW 3/32-56 L=2.2				*		3	
22		SS6060210SP		SCREW 3/32-56 L=1.9				*		1	
23		SM6850802TN		SCREW M2.5 L=8				*		1	
24		WP0250501SC		WASHER 2.5X6.5				*		2	
25		SS7111810TP		SCREW 11/64-40L=18				*		2	
26		SM4031601SN		SCREW M3X0.5 L=16				*		2	
27		WS0310002KR		SPRING WASHER 3.1X5.9X0.7				*		2	
28		HX00305000A		WIRE HARNESS PARTS				*		3	
29		SS6110610TP		SCREW 11/64-40 L=6				*		2	
30		WP0520656SA		WASHER 5.2X9.5X0.6				*		2	
31		PV150209000		5 PORT SOLENOID VALVE				*		2	
32		14204754		SOLENOID VALVE CONNECTOR ASM.				*		2	
33		14224000		LOWERPLATEBLANK						1	
34		14224109		LOWERPLATEBLANK						1	
35		B2553210D0A		FEEDING FRAME BLANK						1	
36		B2553210D0B		FEEDING FRAME BLANK						1	
37		B2554210D0A		FEEDING FRAME BLANK						1	
38		B2554210D0B		FEEDING FRAME BLANK,RIGHT						1	
39		B2554210D0C		FEEDING FRAME BLANK,LEFT						1	
40		14439400		NEEDLE HOLE GUIDE D=2	H,G TYPE					1	
41		14439509		NEEDLE HOLE GUIDE D=2.3	H,G TYPE					1	
42	R	14439806	SM6030350SD	NEEDLE HOLE GUIDE D=3	HOT WIRE TYPE	A				1	2.00
42	R	14439806	14439608	NEEDLE HOLE GUIDE D=3	HOT WIRE TYPE	A				1	1.00
43		14439905		NEEDLE HOLE GUIDE D=4	HOT WIRE TYPE					1	
44		14444202		LOWERPLATEBLANK						1	

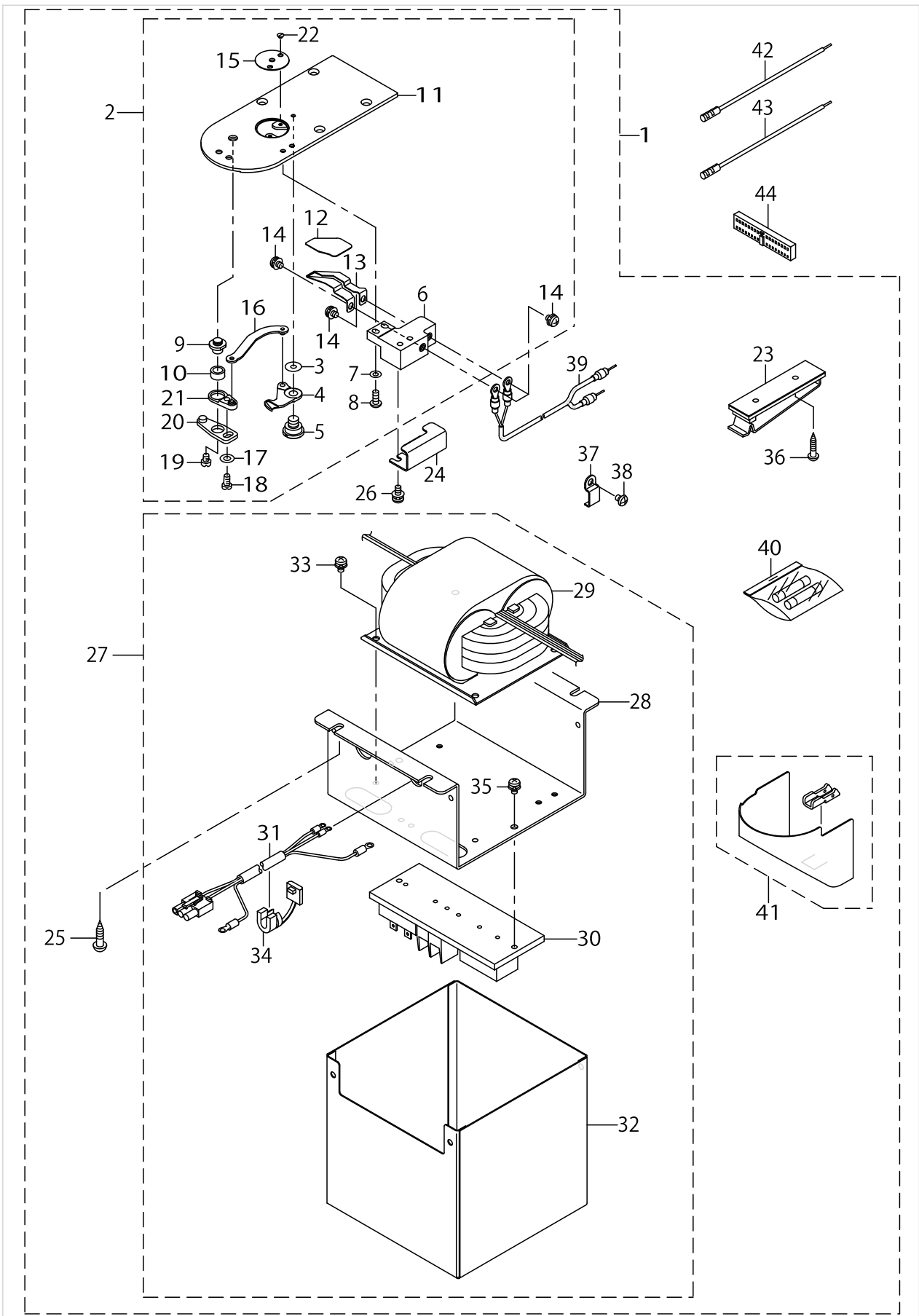
OPTIONAL PART COMPONENTS(1)



OPTIONAL PART COMPONENTS(1)

No.	Supply Code	Parts No.	Replacement	Parts name	Remarks	Choice	Step	Level	Cons	Qty	Rep. QTY
45		14444301		LOWER PLATE GUIDE						1	
46		14444004		OUTER FRAME RIGHT BLANK						1	
47		14444103		OUTER FRAME LEFT BLANK						1	
48		M85205800A0		2-PEDAL ASM.						1	
49		GPK570010B0		PEDAL SWITCH ASM.						1	
50		E9607603000		STICKER (SMALL)						2	
51		M90135900A0		PK57 TRANSFER CABLE ASM.						1	
52		14225056		NEEDLE COOLER ASM.						1	
53		PV150209000		5 PORT SOLENOID VALVE				*		1	
54		PV010011000		VALVE				*		1	
55		B47202150A0		NEEDLE COOLER UNION				*		1	
56		14204754		SOLENOID VALVE CONNECTOR ASM.				*		1	
57		PX500014000		PLUG				*		1	
58		SS7110510SP		SCREW 11/64-40 L=5				*		1	
59		WP0450000SD		WASHER 4.5X8X0.5				*		1	
60		BT0400251EB		URETHANE HOSE, BLACK				*		2	
61		HX002330000		CLIP				*		3	
62		M85905130AA		PEDAL SWITCH ASM.						1	
63		M90315800A0		2-PEDAL CONNECTING CORD ASM.						1	
64		14437255		SLIDER PLATE COMPL.						1	
65		14445902		WIPER BASE						1	
66		14446009		WIPER						1	
67		14446157		THREAD CLAMP WIPER ASM.						1	
68		14446108		THREAD CLAMP WIPER				*		1	
69		14147805		SPRING				*		1	
70		WP0280500SC		WASHER				*		2	
71		SS7060310SP		SCREW 3/32-56 L=3				*		2	
72		M85215800A0		3-PEDAL ASM.						1	
73		HA004260000		FOOT SWITCH				*		3	
74		M1016580000		SWITCH MOUNT PLATE,B				*		1	
75		ST5041051SN		SCREW				*		6	
76		EA9500B0100		CABLE BAND				*		4	
77		HK034610100		10P CONNECTOR				*		1	
78		HK034640000		PIN CONTACT				*		6	
79		EA9502B0500		CABLE CLIP				*		1	
80		SL4040881SF		SCREW M4 L=8				*		1	
81		GPK26002000		PEDALBASERUBBER				*		1	
82		GPK470010AB		3-PEDAL ASM.						1	
83		M90255800A0		PEDAL SWITCH TRANSFER CABLE ASM.						1	
84		14440101		ELLIPSE NEEDLE HOLE GUIDE	G TYPE					1	
85		14436703		LUBRICATION HOOK B ASM.						1	
86		40019012		SCREW 11/64-40 L=5	Z TYPE					1	
87		PB000010000		HOSE BAND						1	
88		PJ309520001		SOCKET						1	

OPTIONAL PART COMPONENTS(2)



OPTIONAL PART COMPONENTS(2)

No.	Supply Code	Parts No.	Replacement	Parts name	Remarks	Choice	Step	Level	Cons	Qty	Rep. QTY
1		14447056		HOT WIRE THREAD TRIMMER UNIT	H,G TYPE					1	
2		40023523		HOT WIRE NEEDLE ASM				*		1	
3		B242328000B		MOVING KNIFE WASHER B				*		1	
4		14441208		MOVING KNIFE				*		1	
5		B2417210000		MOVING KNIFE HINGE SCREW				*		1	
6		40022013		HOT WIRE BASE ASM				*		1	
7		WP0371016SD		WASHER 3.7X8X1				*		2	
8		SS4091015SP		SCREW 9/64-40 L=10				*		2	
9		B2417280000		THREAD CUTTER LEVER SHAFT				*		1	
10		B2416280000		THREAD CUTTING LEVER RING				*		1	
11		14439103		NEEDLE PLATE				*		1	
12		40039621		INSULATING SHEET B				*		1	
13		40022223		HOT WIRE PLATE				*		1	
14		SL4040681SC		COMBINATION SCREW M4X8				*		4	
15		14440002		ELLIPSE NEEDLE HOLE GUIDE				*		1	
16		14440457		MOVING KNIFE LINK COMPL.				*		1	
17		WP0450846SP		WASHER				*		1	
18		SS7110740TP		SCREW 11/64-40 L=7				*		1	
19		SS6110430TP		SCREW 11/64-40 L=4.0				*		1	
20		B24142800A0		THREAD CUTTER L- EVER ASM., LARGE				*		1	
21		14440556		LEVER TYPE COMPL.				*		1	
22		SS1060210TP		SCREW 3/32-56 L=2.2				*		2	
23		M964051000A		CABLE CLIP				*		1	
24		14441901		HOT WIRE BASE COVER				*		1	
25		SK3482001SE		WOOD SCREW D=4.8 L=20				*		4	
26		SL4041091SC		SCREW M4 L=10				*		2	
27		M85215940A0		HEATER UNIT ASM.				*		1	
28		M1022594000		TRANSFORMER FITTING BASE				*		1	
29		M89025940A0		HEATER TRANSFORMER ASM.				*		1	
30		M85225940A0		HEATERSWITCHASM.				*		1	
31		M90215940A0		HEATER POWER SO- URCE CORD ASM.				*		1	
32		MAT00616000		CONTROL UNIT COVER				*		1	
33		SL4040881SF		SCREW M4 L=8				*		4	
34		HX004100000		BUSH				*		1	
35		SL4040881SF		SCREW M4 L=8				*		2	
36		SK3382001SE		SCREW D=3.8 L=20				*		2	
37		B3509210000		OIL TUBE HOLDER C				*		3	
38		SS4110515SP		SCREW 11/64-40 L=5				*		3	
39		14442255		HEATER CORD ASM.				*		1	
40		M85995940A0		ACCESSORIE PART ASM.				*		1	
41		14435358		HOOK COVER ASM.				*		1	
42		M90325800A0		I/O CORD (RED) ASM.						1	
43		M90335800A0		I/O CORD (BLACK) ASM.						1	
44		HK014820340		CONNECTOR 34P						1	

HOW TO MAKE USE OF THIS PARTS LIST

1.Explanation of codes

1)"*"mark.....means this part is changed from the previous parts book.

As to the details of the change, refer to the "List for information of change".

2)"#01".....refer to "Note" explanation at bottom of page.

2.Codes on the "Qty" column

- Each numeral indicates the number of parts required.
- "0.1" and "2.5" indicate the length (in meters) of the respective parts.

3.Parentheses mean that the corresponding part is a subpart that constructs an assembly part.

4.Dotted lines on the Figures indicate assembly parts.

1."注記"欄の記号説明

1) "*"印.....前回のパーツブックに比較して今回変更された部品を意味します。

変更内容は、"変更情報リスト"を参照してください。

2) "#01".....ページ下の"注記"の説明を参照してください。

2.数量欄の数字は、個数を表し、0.1、2.5等の数値は、長さ（単位メートル）を表します。

3.数量欄の（ ）は、組部品を構成している子部品であることを意味します。

4.イラストページの-----枠は、組構成であることを意味します。

NUMERICAL INDEX OF PARTS

PART NO	PAGE	REF NO.	PART NO	PAGE	REF NO.	PART NO	PAGE	REF NO.
10006005	28	51	14109250	30	26	14219604	44	25
10038909	62	22~25	14109300	30	16	14219711	44	26
10126704	44	42	14112502	38	10	14220503	4	66
10502300	2	17	14113450	4	47	14220750	4	54
10570307	28	63	14114300	44	3	14221253	40	51
11043304	30	8	14114409	44	4	14221352	40	52
11072402	4	50	14114508	12	33	14223010	64	13·46
11072709	24	13	14114607	44	13	14224000	68	33
11155108	66	30	14115356	12	62	14224109	68	34
11155207	66	31	14115653	6	32	14225056	70	52
11158300	66	7	14117519	66	1	14404107	12	41
11158409	66	8	14118053	66	2	14431407	10	2
11158516	66	11	14118152	66	3	14431605	12	59
11158607	66	9	14118251	66	4	14431704	10	6
11159001	66	14	14147805	70	69	14431803	10	9
11404308	6	14	14200802	2	22	14431852	10	7
12219705	44	33	14200901	4	65	14431902	12	65
13502307	4	60	14201602	6	1	14432009	10	15
13508403	20	9	14203806	14	11	14432157	10	13
13508700	20	18	14203905	14	12	14432306	20	32
13518501	20	35	14204754	68	56	14432454	20	34
13530308	44	45	14204754	70	56	14432504	20	36
13530357	44	44	14204911	14	2	14432702	12	43
13705108	6	11	14206650	16	36	14432959	28	60
13788302	26	21	14209308	16	38	14433007	28	67
13816855	20	16	14214019	38	13	14433106	28	69
13817408	26	15	14214308	40	45	14433205	28	66
13817754	66	13	14214712	38	22	14433601	16	12·13
13860200	18	50	14214902	38	37	14433858	16	27
13860606	18	51	14215057	38	38	14433908	16	30
14100309	2	12	14215305	38	41	14434005	16	22
14100408	2	2	14215404	38	40	14434104	16	26
14100457	2	1	14215602	40	57	14434203	16	24
14100705	2	6	14215701	38	14	14434302	16	32
14100754	2	5	14215909	40	58	14434401	16	21
14101208	4	61	14216006	40	53	14434500	16	4
14102404	10	1	14216204	40	59	14434609	16	8
14102503	10	5	14216303	38	3	14434708	16	18
14107502	26	1	14216352	38	1	14434807	16	42
14107700	26	2	14216410	38	7	14435200	22	63
14108500	30	2	14217202	42	3	14435358	20	7
14108609	30	3	14217301	42	38	14435358	72	41
14108807	30	6	14217400	42	39	14435507	20	1
14108906	30	7	14218002	42	4	14435606	20	5
14108955	30	5	14219513	44	12	14435705	20	6

NUMERICAL INDEX OF PARTS

PART NO	PAGE	REF NO.	PART NO	PAGE	REF NO.	PART NO	PAGE	REF NO.
14435804	20	11	14440002	72	15	14446504	22	60
14435903	20	13	14440101	70	40~43·84	14446603	22	61
14436000	20	20	14440309	34	14	14447056	72	1
14436158	20	22~24	14440457	34	40	14447106	20	25·26
14436208	22	56	14440457	72	16	14447205	20	25·26
14436257	22	55	14440556	34	45	14447304	20	27~29
14436307	20	22~24	14440556	72	21	14447403	20	27~29
14436406	22	39·52	14441000	34	15·24	14447502	20	27~29
14436406	62	15	14441109	34	15·24	14447908	38	17
14436554	20	22~24	14441208	34	36	14448005	38	21
14436604	34	54	14441208	72	4	14449250	38	6
14436604	36	54	14441901	36	52	17007402	66	10
14436703	70	85	14441901	72	24	17845009	50	13
14436802	42	1	14442008	62	13·46	18035709	68	13
14436901	42	13	14442255	36	49	18035808	68	14
14437057	42	7	14442255	72	39	18035907	68	15
14437156	42	8	14442305	28	59	21060009	28	53
14437255	70	64	14442404	30	28	22528509	28	54
14437651	24	1	14442503	6	37	22684906	16	7
14437750	24	2	14442552	6	36	22901805	6	3
14437800	24	7	14442651	6	42	22904155	10	26
14437909	24	8	14443006	2	24	22906408	12	49
14438006	24	9	14443105	2	25	22906457	12	48
14438105	24	10	14443204	44	2	22907554	16	1
14438204	24	11	14443303	44	7	22917058	42	34
14438303	24	12	14443402	44	40	22917157	26	36
14438402	28	55	14444004	70	46	22920508	6	10
14438550	28	56	14444103	70	47	22921506	30	31
14438568	28	48	14444202	68	44	22924005	24	28
14438659	26	38	14444301	70	45	22928808	30	30
14438709	26	20	14444657	62	10	22932800	62	17
14438808	32	52	14445050	68	2	22933006	62	18~20
14438907	30	27	14445100	68	5	22933105	62	18~20
14439004	30	34	14445209	68	6	22933204	62	18~20
14439103	34	32	14445308	68	4	22951008	30	20
14439103	72	11	14445407	68	3	23630007	44	19
14439152	34	1·2	14445506	68	7	23636657	2	46
14439251	34	1·2	14445605	68	8	23638109	6	38
14439400	68	40~43·84	14445902	70	65	23638208	6	40
14439509	68	40~43·84	14446009	70	66	23638307	6	39
14439608	34	3·4	14446108	70	68	23638406	6	41
14439707	34	3·4	14446157	70	67	26037200	62	3
14439806	68	40~43·84	14446207	22	57	26203208	12	44
14439905	68	40~43·84	14446306	22	58	26211755	2	8
14440002	34	29	14446405	22	59	26211904	6	7

NUMERICAL INDEX OF PARTS

PART NO	PAGE	REF NO.	PART NO	PAGE	REF NO.	PART NO	PAGE	REF NO.
26212803	12	52	40022226	2	39	B1115210D00	6	46
26218404	26	6	40023523	34	28	B1116210D00	4	63
26218602	30	33	40023523	72	2	B1116804000	30	23
26218651	30	29	40023631	16	3	B1123210D00	6	24
26220400	30	32	40023662	62	30	B1125210D00	6	26
26221101	20	17	40025746	16	35	B1125215P00	6	9
26221200	20	40	40026917	12	55	B1129210000	6	8
26223305	38	19	40028986	40	54	B1144210000	12	37
26226506	30	24	40030828	2	9	B1202210000	10	3
26229302	26	24	40031323	16	39	B1203215000	10	4
26230706	44	11	40031324	18	56	B1212210D00	12	38
26231407	44	16	40039621	34	33	B1223771000	12	66
26231902	44	29	40039621	72	12	B1223771000	20	14
26234005	62	11	40045548	12	68	B1223771000	30	22
26260208	2	26	40045549	18	47	B1231210D00	12	64
26260307	2	27	40045550	18	57	B1306155000	10	11
26260406	2	28	40045552	18	58	B13061550A0	10	10
26260505	2	29	40045553	18	59	B1403280000	12	45
26260604	2	30	40051987	62	2	B1404280000	10	20
26260802	2	31	40052806	62	1	B1406210000	12	47
26261305	2	32	40053326	12	63	B1411804000	10	18
26261503	2	33	40085784	48	2	B1411804A00	20	43~46
26261701	2	34	40085785	48	3	B1411804B00	20	43~46
26500900	26	4	40085786	48	4	B1411804C00	22	43~46
26501205	30	1	40085787	48	5	B1411804D00	22	43~46
26501304	26	5	40085788	48	6	B1414232000	12	51
26501403	38	2	40085789	48	7	B1414232000	38	18
26501502	38	8	40085790	48	8	B1456057000	38	16
26501908	30	4	40085791	48	9	B151902600G	40	48
26502906	16	10	40085792	48	10	B160122000J	16	12·13
40009290	6	5	40085793	48	11	B1626220000	42	30
40009290	26	35	40085794	48	12	B1633210D00	16	40
40010414	6	4	40085795	48	13	B1634210D00	16	16
40011144	2	35	40085796	48	16	B1652704000	30	15
40011360	22	62	40086483	20	15	B1820210D00	44	39
40014007	16	11	40096325	48	14	B1821210D00	44	9
40019012	70	86	40096326	48	17	B1901210DA0	10	14
40020225	2	23	40096327	48	19	B1903210000	10	16
40022013	34	37	40096354	48	1	B1903552000	10	19
40022013	72	6	40150001	50	2	B1904280000	10	21
40022188	20	39·52	40222225	2	38	B1905541000	10	17
40022222	2	36	A1230500000A	12	36	B2014372000A	28	70
40022223	34	34	B1111210D00	8	47	B2019372000	26	44
40022223	72	13	B1113223C00	44	38	B2106220000	24	14
40022224	2	37	B1113223C00	62	42	B2107210000	24	15

NUMERICAL INDEX OF PARTS

PART NO	PAGE	REF NO.	PART NO	PAGE	REF NO.	PART NO	PAGE	REF NO.
B23022050AA	26	9	B2702210000	26	19	BT0700500EA	44	1
B2302280000	26	10	B2703210000	2	19	CM200100001	50	14
B2304210D00	26	3	B3119771000	26	39	CM300100001	50	15
B2305205000	26	50	B3120125000	26	40	CM300100101	50	43
B2305205000	28	50	B3120704000	28	52	CM300200002	6	17
B2313280000	26	57	B3125012000	28	49	CM301200001	6	16
B2313280000	28	57	B3126012000	4	48	CM600100101	8	50
B2401210D00	30	17	B3126012000	26	43	CQ200000000	44	47
B2408210D00	30	18	B3132012000	26	42	CQ200000000	46	47
B2411210000	30	25	B3132552000	26	18	CQ202000000	44	5
B24142800A0	34	44	B3319704L00	28	68	CQ252000000	46	48
B24142800A0	72	20	B3403761000	42	11	CQ252200000	2	7
B2416280000	34	46	B3501210000	44	10	CQ252200000	44	21
B2416280000	36	46	B3509210000	36	57	CS079073BSH	38	36
B2416280000	72	10	B3509210000	72	37	CS080081BSH	30	35
B2417210000	34	31	B3509220000	44	17	CS0801011TH	22	64
B2417210000	72	5	B3518280000	44	36	CS095081ASH	38	12
B2417280000	34	47	B3523980000	44	31	CS100081CSP	16	23
B2417280000	36	47	B3541012000	44	8	CS100081CSP	20	8
B2417280000	72	9	B471122000C	42	41	CS1201010SH	20	2
B242328000A	34	8~12	B471122000D	42	40	CS147121ESH	12	58
B242328000B	34	48	B471122000E	24	16	D2502232D00	42	31
B242328000B	36	48	B471122000F	24	17	D2587L8WB00	16	37
B242328000B	72	3	B471122000G	42	43	D2587L8WB00	30	38
B242328000C	34	8~12	B471122000H	42	42	D2588L8WB00	30	39
B242328000D	34	8~12	B47152150A0	64	47	D3112L4BB00	26	13
B242328000E	34	8~12	B47202150A0	70	55	D3127555B00	28	46
B2509704000	38	15	B8101210AAB	66	5	D7133555B00	4	49
B2545280000	26	7	B8103980000	62	39	D8113555B00	66	16
B2553210D0A	68	35	B8105210AAA	66	6	D8204555D00	66	32
B2553210D0B	68	36	B81085550A0	66	26	E1612173000	18	54
B2554210D00	42	6	B8133019000	62	40	E2193172000	42	32
B2554210D0A	68	37	B8153771000	66	15	E2691453000	14	9
B2554210D0B	68	38	B8202205000	62	16	E2692453000	14	10
B2554210D0C	68	39	B9121012000	62	21	E2697453000	14	17
B255728000B	16	6	B91212200A0	62	26	E2993453000	14	4
B255728000C	42	2	B9140372000	62	22~25	E8523304000	54	20~23
B2561210D00	42	12	BP500000000	44	46	E9567319000	50	16
B2564215000	62	41	BP600000000	44	20	E9607603000	52	54
B2566210D00	42	10	BT0400251EB	18	48	E9607603000	70	50
B2572210D00	42	5	BT0400251EB	24	18	E9609603000	50	17
B2583210D00	54	31	BT0400251EB	42	33	EA9500B0100	6	44
B2610210D00	42	9	BT0400251EB	68	60	EA9500B0100	24	29
B2617771000	32	46	BT0400251EB	70	60	EA9500B0100	42	44
B2626372000	44	34	BT0600401EB	62	35	EA9500B0100	44	22

NUMERICAL INDEX OF PARTS

PART NO	PAGE	REF NO.	PART NO	PAGE	REF NO.	PART NO	PAGE	REF NO.
EA9500B0100	62	55	HK054250040	50	20	M8510594CA0	54	1~3
EA9500B0100	64	55	HM000630010	52	48	M85205800A0	70	48
EA9500B0100	68	76	HW500070000	24	5	M85205900A0	54	26
EA9500B0100	70	76	HX00056000B	50	22	M85205900A0	60	11
EA9500B0200	40	55	HX001230000	54	30	M85205920A0	52	47
EA9500B0200	46	49	HX00123000B	50	41	M85215800A0	70	72
EA9502B0500	54	15	HX001470000	52	55	M85215940A0	56	1
EA9502B0500	70	79	HX00147000C	50	23	M85215940A0	72	27
G1216870000	10	27	HX00150000A	44	32	M85225940A0	56	4
G2303270000	26	23	HX00150000E	4	57	M85225940A0	72	30
G5430116000	64	50	HX00150000J	4	56	M85905130AA	70	62
G5523880000	40	56	HX00150000N	4	55	M85985920A0	58	1
G6705152U0A	50	44	HX002330000	70	61	M85995900A0	54	18·19
G8124270000	64	48	HX00295000F	68	12	M8599590AA0	54	18·19
GAF01007000	12	39	HX00305000A	68	28	M85995940A0	56	11
GAW02502AA0	20	41	HX004070000	50	24	M85995940A0	72	40
GCT02906000	62	22~25	HX004100000	50	25	M8601594AA0	50	1
GPF060600A0	66	18	HX004100000	56	8	M86045900C0	50	3·4
GPF06080000	66	17	HX004100000	72	34	M8604590AC0	50	3·4
GPK26002000	70	81	J106600000D	62	22~25	M86065940A0	54	4·5
GPK470010AB	70	82	M1001590000	50	18	M86075940A0	54	4·5
GPK570010B0	70	49	M10025920A0	52	49	M8901594AA0	50	11·12
HA001690010	4	53	M10035940A0	50	7	M8901594BA0	50	11·12
HA004250000	50	26	M1004581000	50	10	M89025940A0	56	3
HA004250000	60	15	M1007594000	52	56	M89025940A0	72	29
HA004260000	70	73	M1010590000	54	13	M89105900A0	50	5
HA006000000	24	6	M1011590000	54	12	M89105900A0	60	3
HD00057000A	38	25	M1012592000	54	9·10	M90015900A0	60	1
HD002230000	12	30	M1012594000	54	9·10	M90025800A0	60	9
HD002230000	54	29	M1016580000	70	74	M90085800A0	60	4
HF001301000	54	20~23	M1022594000	56	2	M90105810A0	60	2
HF002900300	54	23	M1022594000	72	28	M90115900A0	54	28
HF0041080P0	54	20~23	M1030590000	54	36	M90135900A0	70	51
HK014820340	72	44	M1031590000	54	27	M90145800A0	60	16
HK026650080	50	19	M300258000B	50	8·9	M90175800A0	60	12~14
HK034610020	24	3	M300259400A	54	6~8	M90195800A0	6	34
HK034610020	28	61	M300259400B	54	6~8	M90205800A0	60	5·6
HK03461002D	30	13	M300259400C	54	6~8	M9020580AA0	60	5·6
HK034610040	64	54	M3003580000	54	24·25	M90215940A0	56	5
HK034610100	70	77	M300359000A	50	8·9	M90215940A0	72	31
HK034640000	24	4	M300451100A	54	24·25	M90225900A0	60	7·8
HK034640000	30	14	M8002430000	2	4	M90235900A0	60	7·8
HK034640000	64	57	M85105810A0	52	50	M90245800A0	60	12~14
HK034640000	70	78	M8510594AA0	54	1~3	M90255800A0	70	83
HK03464000A	28	62	M8510594BA0	54	1~3	M90285800A0	60	12~14

NUMERICAL INDEX OF PARTS

PART NO	PAGE	REF NO.	PART NO	PAGE	REF NO.	PART NO	PAGE	REF NO.
M90315800A0	70	63	NS6160520SP	26	45	SB110001300	40	43
M90315900A0	60	10	NS6660410SH	30	9	SB115000200	20	37
M90325800A0	72	42	NS6660430SP	30	36	SB31000080A	22	47~50
M90335800A0	72	43	PA060060100	68	10	SB31000080B	22	47~50
M90415900A0	58	4	PA100101900	68	9	SB31000080C	22	47~50
M90425900A0	58	5	PA1501515A0	24	19	SB31000080D	22	47~50
M90435900A0	58	6	PA1602006A0	42	35	SD0500803TP	32	47
M90435920A0	58	7	PA2501506A0	16	45	SD0530221SP	26	25
M90445920A0	58	2	PB000010000	70	87	SD0640321SP	24	21
M90475900A0	58	3	PC010519000	68	16	SD0640391TP	26	27
M964051000A	56	12	PC012401000	42	45	SD0640482SP	26	28
M964051000A	58	8	PF0552040B0	64	51	SD0640602SP	24	23
M964051000A	62	31	PH1000332SH	16	20	SD0650305TP	32	48
M964051000A	72	23	PJ030520001	64	52	SD0720321TP	26	26
MAO11532000	62	12	PJ032052503	16	44	SD0790311TP	32	49
MAT00616000	56	6	PJ046039001	68	17	SD0800321TH	18	62
MAT00616000	72	32	PJ046052503	42	36	SD0800321TH	20	33
MDP170B1800	12	53·57·60- ·61	PJ304040504	24	20	SD0800331TH	24	22
MDP170B1802	62	14·27·28	PJ304060001	14	7	SD0800331TH	54	32
MDP170B2300	12	53·57·60- ·61	PJ305065202	64	53	SD0800341SP	18	61
MDP170B2302	62	14·27·28	PJ309005203	64	49	SD0800431SP	16	31
MDP170B2500	12	53·57·60- ·61	PJ309520001	70	88	SD1100301TP	32	50
MDP170B2600	12	53·57·60- ·61	PS0400142KH	12	40	SK3311601SE	62	29
MDP170B2602	62	14·27·28	PV010011000	70	54	SK3311601SE	66	33
NM3034000SF	50	27	PV150209000	14	16	SK3382001SE	4	64
NM3040520SF	50	53	PV150209000	68	53	SK3382001SE	54	17
NM3040520SF	52	53	PV150209000	70	53	SK3382001SE	56	13
NM6040000SN	30	10	PV915005000	14	6	SK3382001SE	58	9
NM6050001SE	48	24	PX050003000	14	8	SK3382001SE	62	38
NM6050001SP	30	40	PX500014000	70	57	SK3382001SE	72	36
NM6060001SC	6	12	PX950009000	64	56	SK3482001SE	50	42
NM6060001SC	50	6	RC0150001KP	20	38	SK3482001SE	54	37
NM6060001SC	62	33	RC0560711KP	2	40	SK3482001SE	56	10
NM6080721SE	62	8	RC0740811KP	16	2	SK3482001SE	72	25
NM6080721SE	66	25	RC0841011KP	16	25	SK3513201SE	66	34
NM6120001SE	66	27	RC1411018KP	22	51	SL4030681SF	50	29
NM6540023SB	18	49	RE0300000K0	42	37	SL4030881SF	54	11
NS6110420SP	16	33	RE0400000K0	2	41	SL4030891SC	24	24
NS6110420SP	30	42	RE0500000K0	30	44	SL4030891SC	50	30
NS6110530SP	4	51	RE0500000K0	42	20	SL4031081SC	38	26
NS6120310SP	26	33	RE0600000K0	16	52	SL4031291SC	38	27
NS6120310SP	30	43	RO069180100	18	52	SL4040681SC	34	35
			RO154240100	12	42	SL4040681SC	50	36
			SB110000900	40	44	SL4040681SC	72	14
						SL4040881SF	50	31

NUMERICAL INDEX OF PARTS

PART NO	PAGE	REF NO.	PART NO	PAGE	REF NO.	PART NO	PAGE	REF NO.
SL4040881SF	56	9	SM8060812TP	12	46	SS6110610TP	32	57
SL4040881SF	70	80	SM8060812TP	38	9	SS6110610TP	38	34
SL4040881SF	72	35	SM8061612TP	12	29	SS6110610TP	62	45
SL4041081SF	50	33	SM9061203SE	66	19	SS6110610TP	68	29
SL4041091SC	36	53	SM9061403CP	42	19	SS6110810TP	26	64
SL4041091SC	50	40	SM9082023SE	66	22	SS6110810TP	28	64
SL4041091SC	72	26	SS1060210TP	34	30	SS6111052TP	26	22
SL4041291SC	12	31	SS1060210TP	68	21	SS6111140SP	2	62
SL4041291SC	14	1	SS1060210TP	72	22	SS6111140SP	4	62
SL4041291SC	54	34	SS1110640TP	36	51	SS6111140SP	24	30
SL4051091SC	50	39	SS1110840SP	2	14	SS6111140SP	38	31
SL4051091SC	62	36	SS1110840SP	12	69	SS6111610SP	44	35
SL6052092TN	12	34	SS4090515SP	26	30	SS6120930SP	32	56
SL9082091SE	66	12	SS4090715SP	2	20	SS6120930SP	44	6
SL9082093SE	62	37	SS4091015SP	34	39	SS6151142TP	16	29
SM1040801SP	42	14	SS4091015SP	72	8	SS6151220SP	20	21
SM1044050SM	52	52	SS4110515SP	6	33	SS6151220SP	40	49
SM3065052TC	50	45	SS4110515SP	36	58	SS6151412TP	10	22
SM4021201SC	6	43	SS4110515SP	44	30	SS6151440SP	38	39
SM4031601SN	68	26	SS4110515SP	72	38	SS6151812TP	26	32
SM4031851SR	50	34	SS4110715SP	4	58	SS6681712TP	10	23
SM4040601SC	54	33	SS4110715SP	38	29	SS7060310SP	70	71
SM4040655SP	62	5	SS4110715SP	62	4	SS7080510TP	12	54
SM4051405SE	48	23	SS4110815SP	6	27	SS7090410SP	14	13
SM4060801SE	12	32	SS4110915SP	2	21	SS7090410SP	34	16
SM5030655SN	2	42	SS4111015SP	2	11	SS7091110TP	16	15
SM6040602TP	30	37	SS4111415SP	42	21	SS7110410SP	38	33
SM6040802TP	42	15	SS4150715SP	6	23	SS7110510SP	70	58
SM6040802TP	68	19	SS4150715SP	42	17	SS7110710SP	34	56
SM6041202TP	42	16	SS4150715SP	44	23	SS7110710SP	36	56
SM6050802TP	24	25	SS4151215SP	2	15	SS7110730SP	6	6
SM6053502TP	18	53	SS4151215SP	14	3	SS7110740TP	32	54
SM6060802TP	42	18	SS4151215SP	22	53	SS7110740TP	34	42
SM6067552TP	8	48	SS6060210SP	68	22	SS7110740TP	72	18
SM6067552TP	62	32	SS6090612TP	6	2	SS7110810SP	16	19
SM6850802TN	68	23	SS6090630TP	24	26	SS7110840SP	6	45
SM8040412TP	28	65	SS6090670TP	12	50	SS7110840SP	12	35
SM8040600SP	12	56	SS6092120SP	44	24	SS7110840SP	16	46
SM8040802TP	2	43	SS6110420TP	40	46	SS7110840SP	20	42
SM8050502TP	2	44	SS6110430TP	34	43	SS7110840SP	24	31
SM8050812TP	16	43	SS6110430TP	72	19	SS7110840SP	32	55
SM8053002TP	30	19	SS6110480SP	38	42	SS7110840SP	42	23
SM8060612TP	12	28	SS6110480SP	44	41	SS7110840SP	44	14
SM8060612TP	38	50	SS6110560TP	20	30	SS7110840SP	62	43
SM8060612TP	40	50	SS6110610TP	6	18	SS7111120TP	26	31

NUMERICAL INDEX OF PARTS

PART NO	PAGE	REF NO.	PART NO	PAGE	REF NO.
SS7111810TP	68	25	WP0450846SP	36	55
SS7150910TP	18	60	WP0450846SP	72	17
SS7151120SP	10	25	WP0451026SH	32	53
SS7161040SP	6	35	WP0480856SP	42	25
SS7661540SP	22	54	WP0482086SD	26	8
SS8090610SP	26	58	WP0501016SD	30	45
SS8090610SP	28	58	WP0520656SA	62	44
SS8110510SP	26	37	WP0520656SA	68	30
SS8150822TP	20	10	WP0531001SC	48	22
SS8150822TP	32	58	WP0553216SD	30	21
SS8660330SP	10	8	WP0600816SP	16	28
SS8660410SP	20	19	WP0612066SP	16	34
SS8660512TP	10	24	WP0621016SD	42	27
SS8660522TP	20	12	WP0621026SP	18	55
SS8660612TP	16	9	WP0641600SC	32	51
SS8660612TP	38	23	WP0641601SD	20	31
SS8660810TP	10	12	WP0651001SC	52	46
SS8661012TP	32	59	WP0651056SD	26	34
SS9111010SP	14	14	WP0651646SC	8	49
ST40316110R	54	14	WP0651646SC	62	34
ST5041051SN	70	75	WP0671016SE	66	20
SV4031006SR	54	16	WP0722316SH	28	47
TA0550604R0	44	37	WP0871602SE	62	7
TA0750704R0	6	29	WP0871602SE	66	23
TA1050504R0	4	59	WP0951016SP	16	41
TA1050504R0	6	30	WP1302501SE	66	28
TA1250406R0	2	18	WP1612616SE	48	15
TA1250406R0	6	31	WS0310002KR	68	27
TA1270502R0	6	13	WS0310702KS	50	35
TA2100904R0	6	25	WS0410002KP	42	29
WP0250501SC	68	24	WS0510002KN	48	21
WP0280500SC	70	70	WS0610002KN	12	67
WP0330516SC	2	45	WS0610002KN	50	21
WP0371016SD	16	14	WS0621210KR	66	21
WP0371016SD	24	27	WS0861410KR	66	24
WP0371016SD	34	38	WS1253010KN	66	29
WP0371016SD	72	7			
WP0430801SC	54	35			
WP0430801SE	68	20			
WP0450000SD	30	12			
WP0450000SD	42	24			
WP0450000SD	44	43			
WP0450000SD	70	59			
WP0450801SD	62	6			
WP0450846SP	34	55			