

MODEL : AVP-875/AW-2

List No : 1285-02

# PARTS LIST

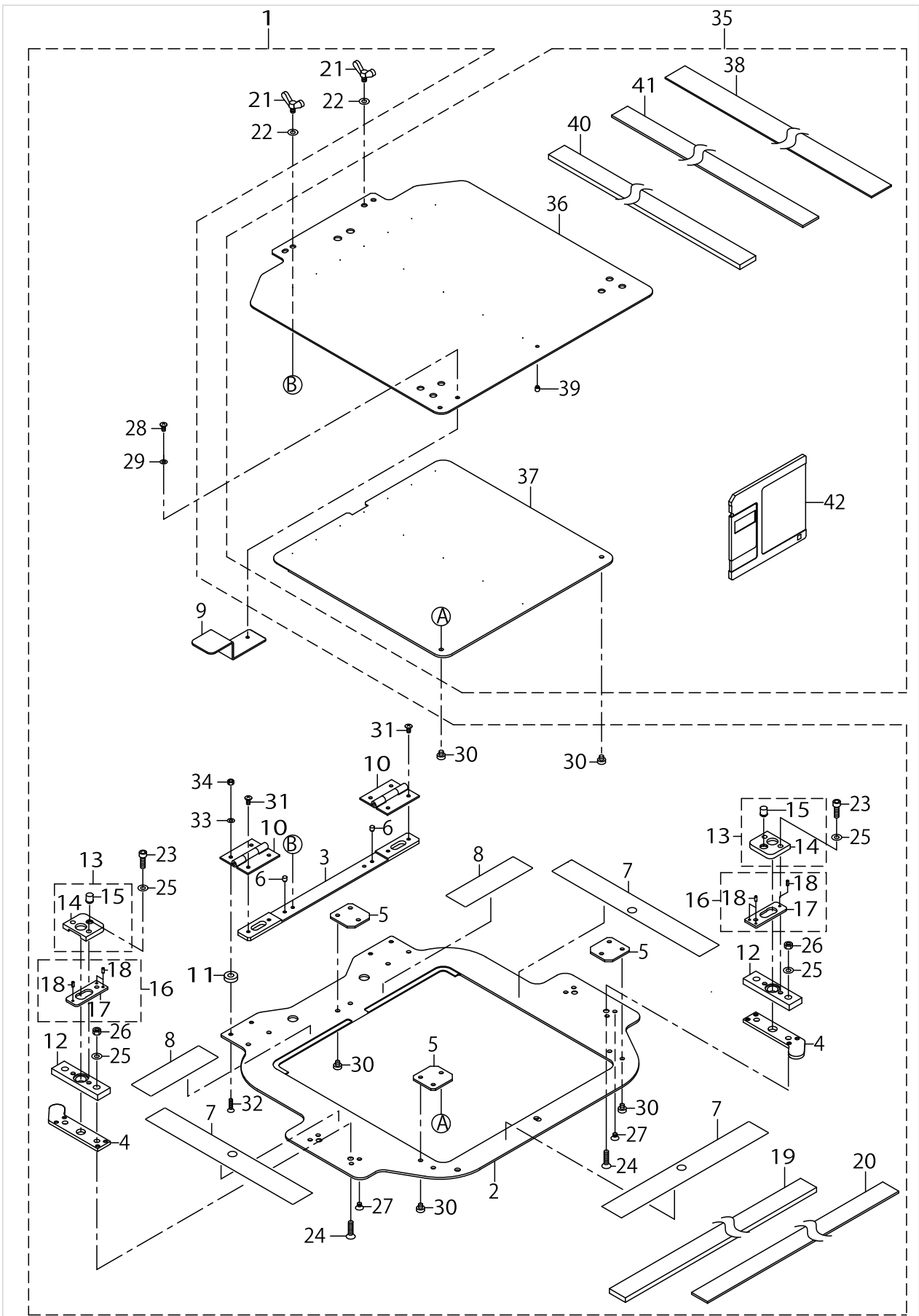
Published:05/12/2017

## CONTENTS

---

COMPONENTS .....	1
HOW TO MAKE USE OF THIS PARTS LIST .....	5

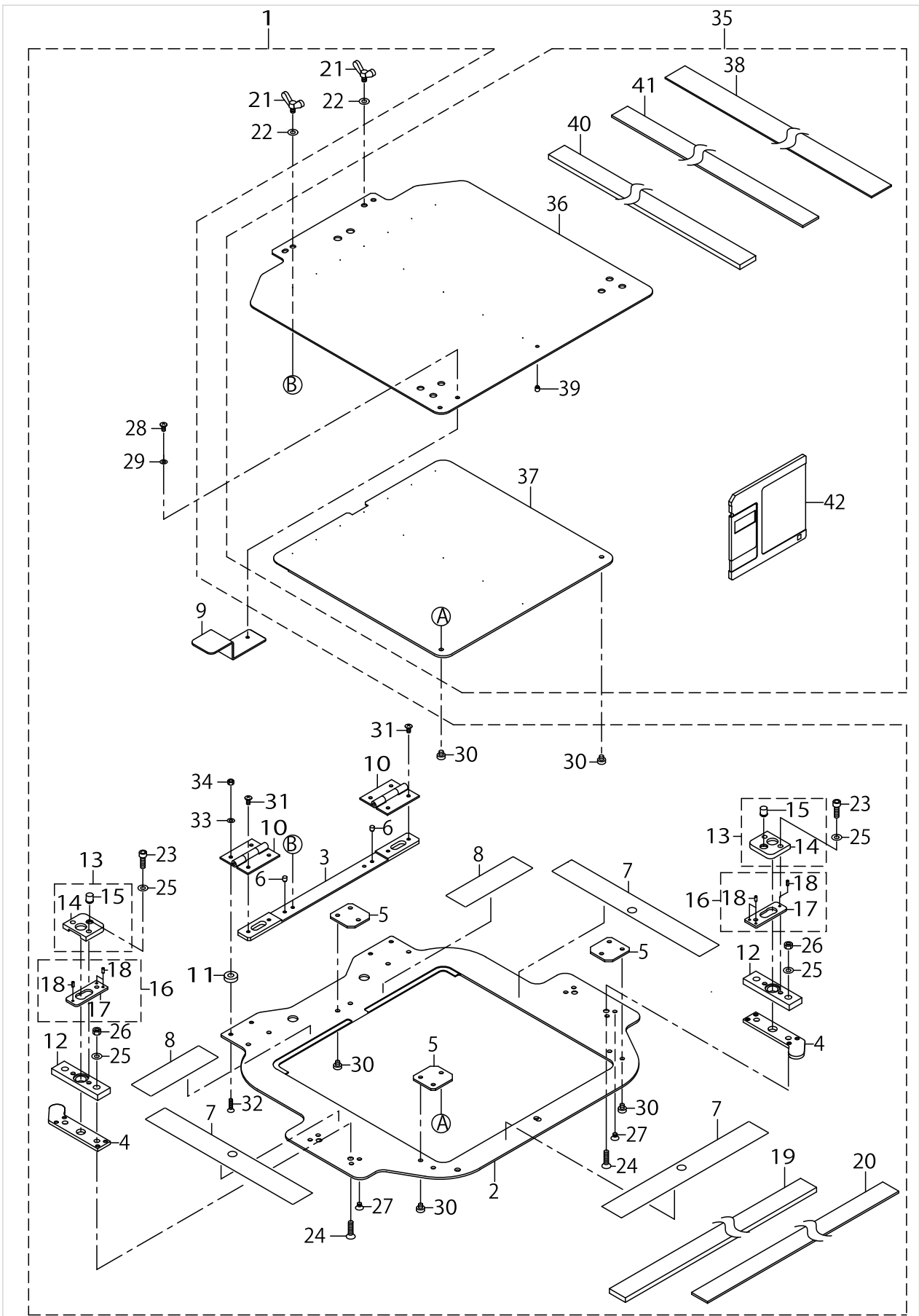
COMPONENTS



COMPONENTS

No.	Supply Code	Parts No.	Replacement	Parts name	Remarks	Choice	Step	Level	Cons	Qty	Rep. QTY
1		G61328750A0		CLAMP FRAME ASM.						1	
2		G6132875000		CLAMP FRAME				*		1	
3		G6135875000		CLAMP UPPER MOUNTING PLATE				*		1	
4		G6136875000		SPACER				*		2	
5		G6137875000		BLANK FIXING PLATE				*		3	
6		G6138875000		POSITIONING PIN				*		2	
7		G6139875000		MAGNET PLATE A				*		3	
8		G6140875000		MAGNET PLATE B				*		2	
9		G6141875000		HANDLE				*		1	
10		G6142875000		HINGE				*		2	
11	D	G5017100000		LOWERING LINK COLLAR				*		4	
12		G6112875000		BALL CATCH				*		2	
13		G61198750A0		BALL SUPPORT FIXING PLATE ASM.				*		2	
14	R	G6119875000A	G61198750A0	BALL SUPPORT FIXING PLATE				*		1	1.00
15		G6122875000		BALL SUPPORT PLUNGER				*		1	
16		G61208750A0		BALL SUPPORT ASM.				*		2	
17	R	G6120875000A	G61208750A0	BALL SUPPORT				*		1	1.00
18		PS0200052KH		SPRING PIN 2.3X5				*		3	
19		G6113875000		CLOTH PRESSER SPONGE (T=5)				*		1	
20		G6314870000		CLOTH PRESSER SPONGE (T=2)				*		1	
21		16368508		WING BOLT				*		2	
22		WP0430801SC		WASHER 4.3X9X0.8				*		2	
23		SM6040802TN		SCREW				*		4	
24		SM1041601SC		SCREW M4X0.7 L=16				*		4	
25		WP0430801SC		WASHER 4.3X9X0.8				*		8	
26		NM6040001SC		NUT M4				*		4	
27		SS2090550TP		SCREW 9/64-40 L=5				*		8	
28		SM0030601SC		SCREW M3X0.5 L=6				*		2	
29		WP0320501SC		WASHER M3				*		2	
30		SS6090420SP		SCREW 9/64-40 L=4.0				*		8	
31		SM0030601SC		SCREW M3X0.5 L=6				*		4	
32		SM1031201SC		SCREW M3X0.5 L=12				*		4	
33		WP0320501SC		WASHER M3				*		4	
34		NM6030001SC		NUT M3				*		4	
35		G61338750A0		CLAMP UPPER PLATE BLANK ASM.	PART NO. CHANGES WHEN BLANK IS PROCESSED.					1	
36		G6133875000		CLAMP UPPER PLATE BLANK	PART NO. CHANGES WHEN BLANK IS PROCESSED.			*		1	
37		G6134875000		CLAMP LOWER PLATE BLANK	PART NO. CHANGES WHEN BLANK IS PROCESSED.			*		1	
38		G8116875000		RUBBER MAGNET				*		1	
39		G6138875000		POSITIONING PIN				*		1	
40		G6113875000		CLOTH PRESSER SPONGE (T=5)				*		2	
41		G6314870000		CLOTH PRESSER SPONGE (T=2)				*		2	

COMPONENTS



COMPONENTS

No.	Supply Code	Parts No.	Replacement	Parts name	Remarks	Choice	Step	Level	Cons	Qty	Rep. QTY
42		HX002970000		FLOPPY MEDIA				*		1	

## HOW TO MAKE USE OF THIS PARTS LIST

1.As to "#01" and "#02" refer to the "Note" given at the bottom of the respective pages.

2.Codes on the "Qty" column

- Each numeral indicates the number of parts required.
- "0.1" and "2.5" indicate the length (in meters) of the respective parts.

3.Parentheses mean that the corresponding part is a subpart that constructs an assembly part.

4.Dotted lines on the Figures indicate assembly parts.

1. リストページの# 0 1、# 0 2の印は、ページ下の"注記"の説明を参照下さい。
2. 数量欄の数字は、個数を表し、0. 1、2. 5等の数値は、長さ（単位メートル）を表します。
3. 数量欄の（ ）は、組部品を構成している子部品であることを意味します。
4. イラストページの-----枠は、組構成であることを意味します。

## NUMERICAL INDEX OF PARTS

PART NO	PAGE	REF NO.
16368508	2	21
G5017100000	2	11
G6112875000	2	12
G6113875000	2	40
G6119875000A	2	14
G61198750A0	2	13
G6120875000A	2	17
G61208750A0	2	16
G6122875000	2	15
G6132875000	2	2
G61328750A0	2	1
G6133875000	2	36
G61338750A0	2	35
G6134875000	2	37
G6135875000	2	3
G6136875000	2	4
G6137875000	2	5
G6138875000	2	39
G6139875000	2	7
G6140875000	2	8
G6141875000	2	9
G6142875000	2	10
G6314870000	2	41
G8116875000	2	38
HX002970000	4	42
NM6030001SC	2	34
NM6040001SC	2	26
PS0200052KH	2	18
SM0030601SC	2	31
SM1031201SC	2	32
SM1041601SC	2	24
SM6040802TN	2	23
SS2090550TP	2	27
SS6090420SP	2	30
WP0320501SC	2	33
WP0430801SC	2	25