

MODEL : DNU-1541-7

List No : 1312-09

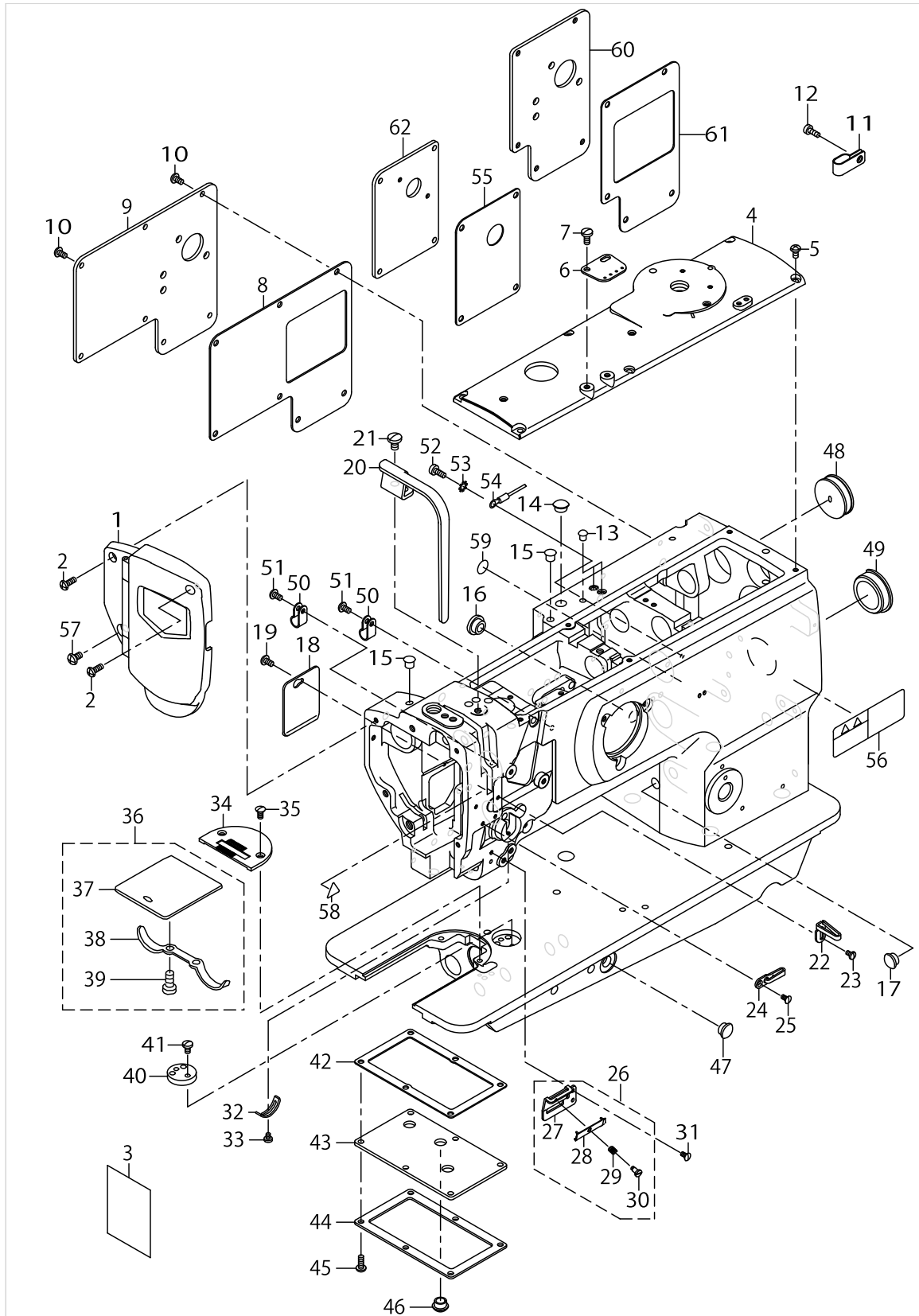
PARTS LIST

Published:05/12/2017

CONTENTS

FRAME & MISCELLANEOUS COVER COMPONENTS	1
UPPER SHAFT,LOWER SHAFT DRIVING & BALANCE COMPONENTS	5
NEEDLE BAR ROCKING COMPONENTS	9
PRESSURE ADJUSTING & UPPER FEED MECHANISM COMPONENTS.....	11
FEED MECHANISM COMPONENTS.....	17
HOOK SHAFT & THREAD TRIMMER COMPONENTS	21
AUTOMATIC BACK COMPONENTS.....	25
THREAD TENSION COMPONENTS.....	27
THREAD RELEASE COMPONENTS.....	29
KNEE LIFTING MECHANISM COMPONENTS.....	31
LOWER THREAD WINDER MECHANISM COMPONENTS	33
AUTOMATIC PRESSER LIFTING MECHANISM (OPTION) COMPONENTS.....	35
DL MECHANISM (OPTION) COMPONENTS	37
AIR MECHANISM COMPONENTS.....	39
LUBRICATION COMPONENTS	41
BELT COVER & OIL RESERVOIR COMPONENTS.....	43
THREAD STAND COMPONENTS.....	45
ACCESSORIES PARTS COMPONENTS	47
LIST FOR INFORMATION OF CHANGE.....	49
HOW TO MAKE USE OF THIS PARTS LIST	50

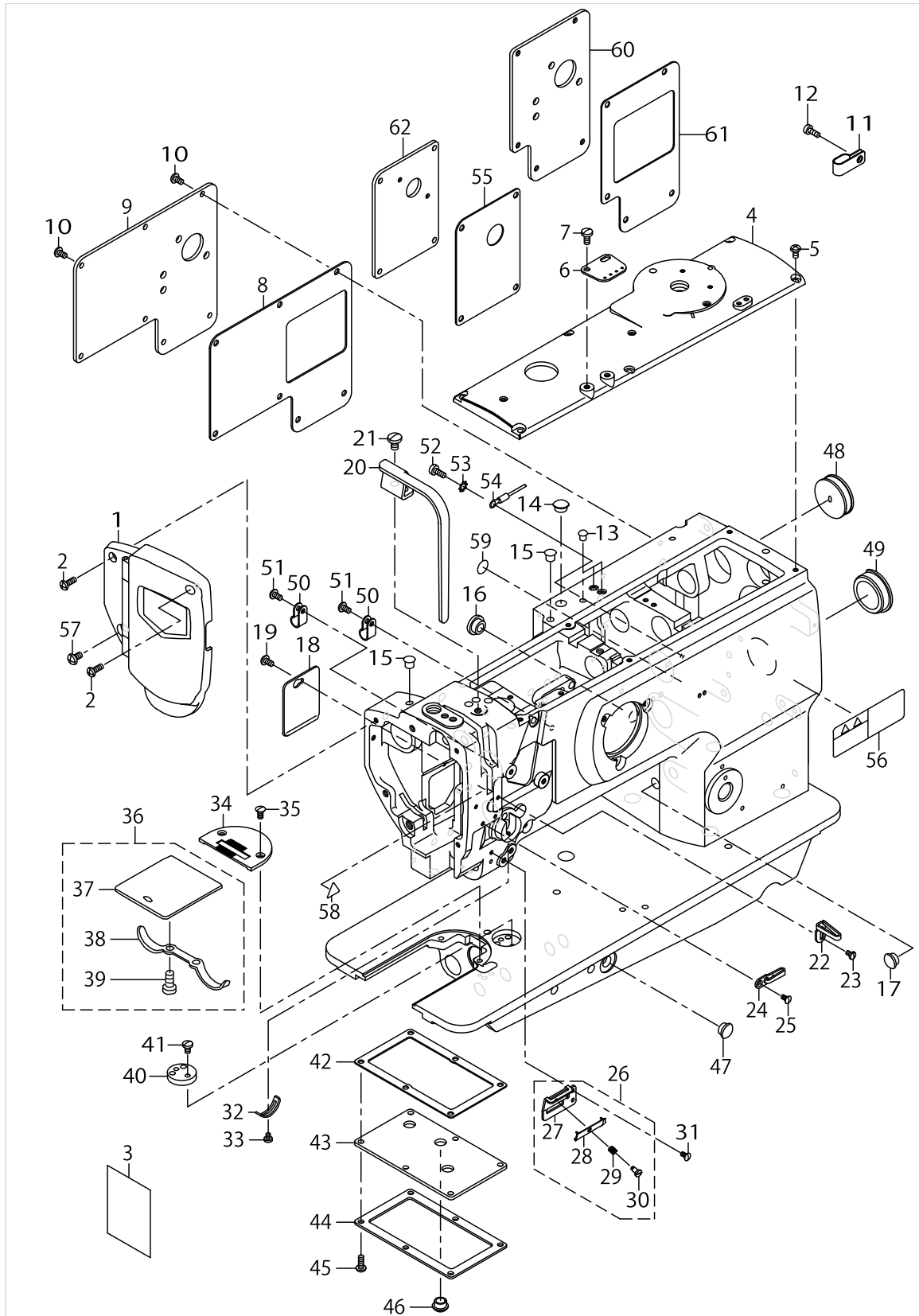
FRAME & MISCELLANEOUS COVER COMPONENTS



FRAME & MISCELLANEOUS COVER COMPONENTS

No.	Supply Code	Parts No.	Replacement	Parts name	Remarks	Choice	Step	Level	Cons	Qty	Rep. QTY
1		40016798		FACE PLATE ASM.						1	
2		SS4111215SP		SCREW11/64-40L=12						2	
3		40019114		LUBRICATION SUPPLEMENT						1	
4		21331301		TOP COVER B						1	
5		SS4110815SP		SCREW 11/64-40 L=8						6	
6		21355904		ARM THREAD GUIDE						1	
7		SS7621040SP		SCREW 3/16-32 L=9.5						2	
8		21332101		WINDOW PLATE PACKING C						1	
9		40107950		WINDOW PLATE C						1	
10		SS4110815SP		SCREW 11/64-40 L=8						7	
11		D2112555B00		CORD HOLDER LARGE						1	
12		SS6111140SP		SCREW11/64-40L=11						1	
13		TA0550604R0		RUBBER PLUG						3	
14		TA1250504R0		RUBBER PLUG						1	
15		TA0750704R0		RUBBER PLUG						2	
16		TA1250504R0		RUBBER PLUG						1	
17		TA1050504R0		RUBBER PLUG						1	
18		21332309		SIDE COVER						1	
19		SS4110815SP		SCREW 11/64-40 L=8						1	
20		21331608		BALANCE COVER						1	
21		SS7150910TP		SCREW 15/64-28 L=9						1	
22		40108674		THREAD GUIDE						1	
23		SS5090610SP		SCREW 9/64-40 L=6						1	
24		22603112		THREAD GUIDE						1	
25		SS2090710TP		SCREW 9/64-40 L=7.2						1	
26		40039838		THREAD GUIDE ASM.						1	
27		40039839		THREAD GUIDE PLATE				*		1	
28		17912106		NEEDLE THREAD PRESSER PLATE				*		1	
29		B1132521000		THREAD PRESSER PLATE SPRING				*		1	
30		SD0380551SL		HINGE SCREW D=3.80 H=5.5				*		1	
31		SS2090710TP		SCREW 9/64-40 L=7.2						1	
32		B3138512000		TAKE-UP SPRING A-DJUSTING PLATE						1	
33		SS7090520TP		SCREW 9/64-40 L=4.5						1	
34		21410006		THROAT PLATE						1	
35		SS2110920TP		SCREW 11/64-40 L=8.5						2	
36		B1112241HA0		BED SLIDE ASM.						1	
37	R	B1112241H00	B1112241HA0	BED SLIDE				*		1	1.00
38		A1111007000		SLIDE PLATE SPRING				*		1	
39		SS6060210SP		SCREW 3/32-56 L=1.9				*		2	
40		B1103141H00		SCALE BASE PLATE						1	
41		SS7110720SP		SCREW 11/64-40 L=7						2	
42		21401302		GASKET						1	
43		21401401		OIL TANK COVER						1	
44		21401500		OIL TANK COVER PLATE						1	
45		SS4111015SP		SCREW11/64-40L=10						6	
46		TA1050504R0		RUBBER PLUG						3	

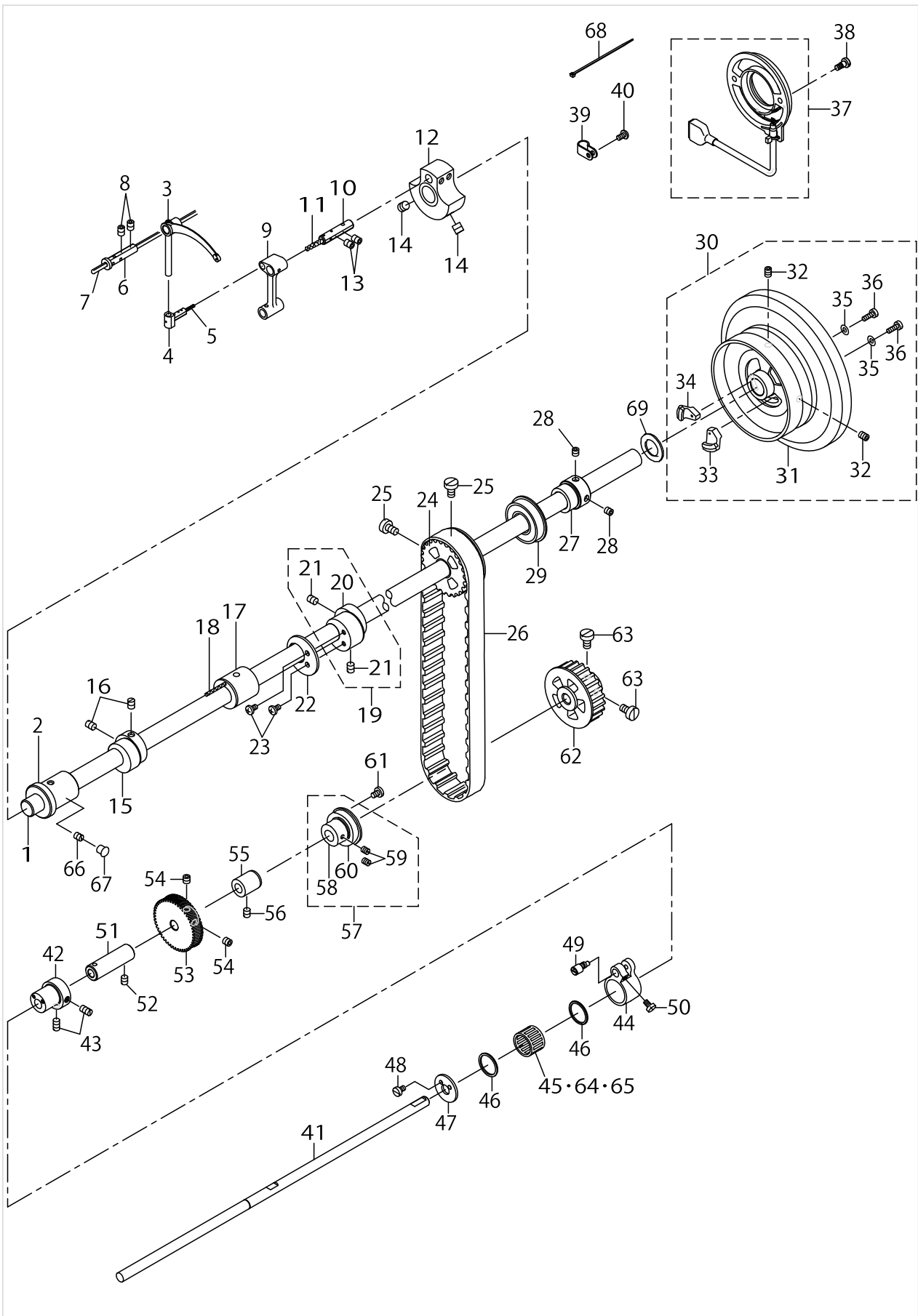
FRAME & MISCELLANEOUS COVER COMPONENTS



FRAME & MISCELLANEOUS COVER COMPONENTS

No.	Supply Code	Parts No.	Replacement	Parts name	Remarks	Choice	Step	Level	Cons	Qty	Rep. QTY
47		TA1050504R0		RUBBER PLUG						1	
48		10201200		RUBBER PLUG						1	
49		22619100		CAP						1	
50		HX00123000A		CABLE CLIP						5	
51		SS4110815SP		SCREW 11/64-40 L=8						2	
52		SS6111140SP		SCREW 11/64-40 L=11						1	
53		WT0530002KS		TOOTHED WASHER D=5.3						1	
54		22951552		GROUND WIRE ASM.						1	
55		21437306		WINDOW PLATE E PACKING	OPTIONAL PARTS					1	
56		CM301300001		SAFETY LABEL						1	
57		SS4150915SP		SCREW 15/64-28 L=9						1	
58		CM300200001		ATTENTION SEAL						1	
59		22901805		GROUND MARK						1	
60		21348909		WIDOW PLATE D	OPTIONAL PARTS					1	
61		21332002		WINDOW PLATE PACKING B	OPTIONAL PARTS					1	
62		21437207		WINDOW PLATE F	OPTIONAL PARTS					1	

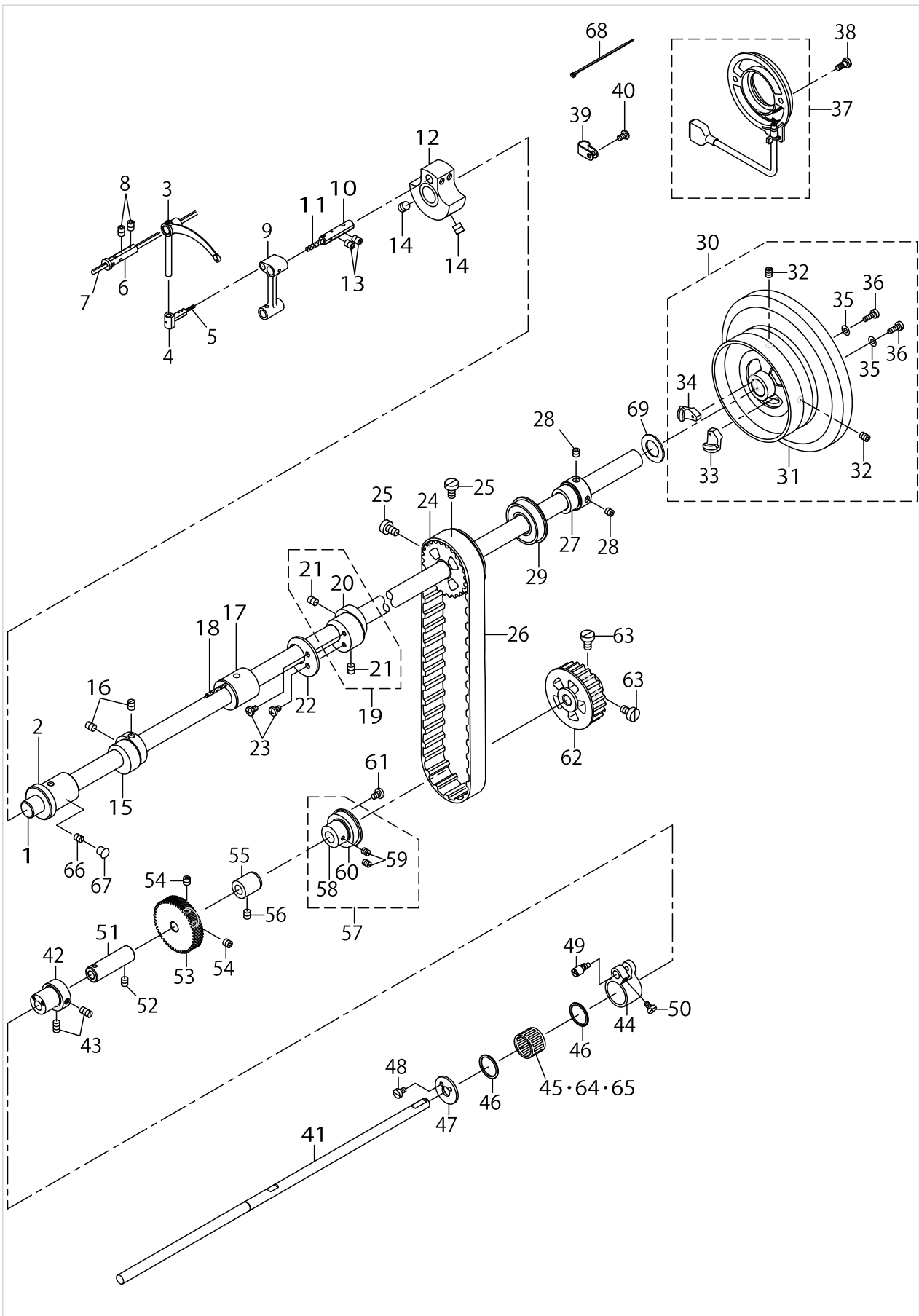
UPPER SHAFT, LOWER SHAFT DRIVING & BALANCE COMPONENTS



UPPER SHAFT,LOWER SHAFT DRIVING & BALANCE COMPONENTS

No.	Supply Code	Parts No.	Replacement	Parts name	Remarks	Choice	Step	Level	Cons	Qty	Rep. QTY
1		21332705		UPPER SHAFT						1	
2		21333000		UPPER SHAFT FRONT METAL						1	
3		21402102		THREAD TAKE-UP LEVER						1	
4		22605406		TAKE-UP LEVER THRUST PIN						1	
5		CQ202000000		OIL WICK						.03	
6		B1906051000		TAKE-UP LEVER PIN						1	
7		CQ303000000		OIL WICK						.45	
8		SS8150822TP		SCREW 15/64-28 L=8						2	
9		21339106		NEEDLE BAR CRANK ROD						1	
10		B1210051000		NEEDLE BAR CRANK PIN						1	
11		CQ505000000		OIL WICK						.03	
12		21332507		COUNTER WEIGHT (A) (36MM)						1	
13		SS8150822TP		SCREW 15/64-28 L=8						2	
14		SM8080812TP		SCREW M8X8						2	
15	R	21339502	21339551	UPPERFEEDCAM(3.5)						1	1.00
16		SS8660810TP		SCREW 1/4-40 L=8						2	
17		21333109		UPPER SHAFT INNER METAL						1	
18		CQ202000000		OIL WICK						.15	
19		21336557		ECCENTRIC CAM A ASM.						1	
20	R	21336508	21336557	ECCENTRIC CAM A				*		1	1.00
21		SS8660810TP		SCREW 1/4-40 L=8				*		2	
22		21353008		HORIZONTAL FEED CAM COVER						1	
23		SS7110710SP		SCREW 11/64-40 L=7						2	
24		22604904		UPPER SPROCKET						1	
25		SS6661110SP		SCREW 1/4-40 L=11						2	
26		22604300		TIMING BELT						1	
27		21402300		UPPER SHAFT BEARING HOOK						1	
28		SM8060602TP		SCREW M6X6						2	
29		40143083		BEARING						1	
30	R	21402250	21402201	FLYWHEEL ASM.						1	1.00
31		21402201		FLYWHEEL				*		1	
32		SS8150822TP		SCREW 15/64-28 L=8				*		2	
33		M40071100AA		MAGNET FITTING BASE A ASM.				*		1	
34		M40071100AB		MAGNET FITTING BASE B ASM.				*		1	
35		WP0450801SD		WASHER 4.5X10X0.8				*		2	
36		SS6111210SP		SCREW11/64-40L=12				*		2	
37		40024855		CONTAIN SYNCHRO ASM.						1	
38		10604809		SCREW						2	
39		HX00123000A		CABLE CLIP						1	
40		SS4110815SP		SCREW 11/64-40 L=8						1	
41		21402409		LOWER SHAFT						1	
42		21405501		FEED DRIVING CAM						1	
43		SS8151150TP		SCREW 15/64-28 L=10.5						2	
44		23618200		FEED DRIVING BASE ARM						1	
45		SB32000060A		BEARING						1	
46		23618101		FEED DRIVING CAM THRUST BUSH						2	

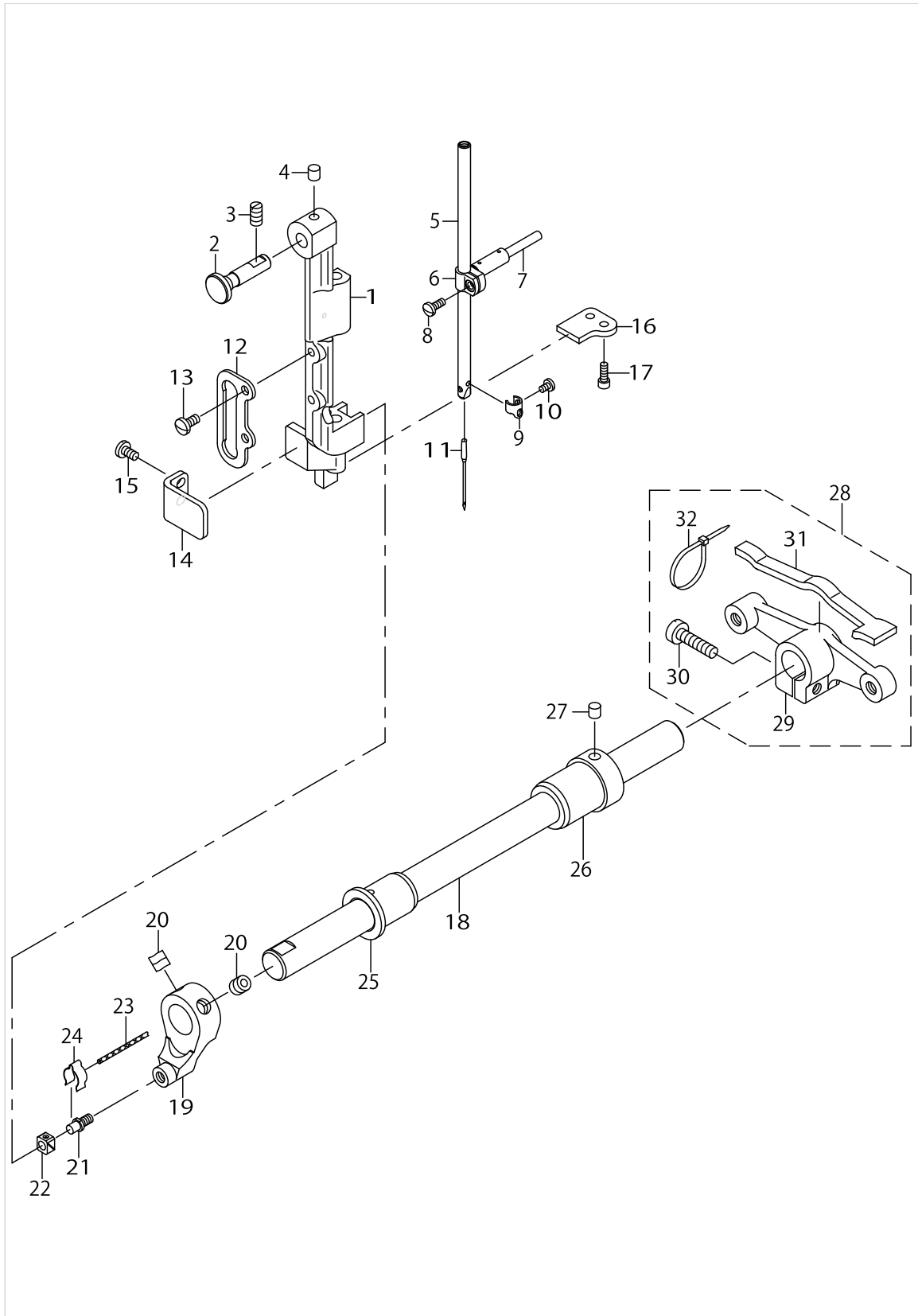
UPPER SHAFT, LOWER SHAFT DRIVING & BALANCE COMPONENTS



UPPER SHAFT,LOWER SHAFT DRIVING & BALANCE COMPONENTS

No.	Supply Code	Parts No.	Replacement	Parts name	Remarks	Choice	Step	Level	Cons	Qty	Rep. QTY
47		21405303		FEED DRIVING CAM PLATE						1	
48		SS6090620TP		SCREW						2	
49		40035502		FEED DRIVING BASE SHAFT						1	
50		SS7110740TP		SCREW 11/64-40 L=7						1	
51		21402508		LOWER SHAFT FRONT METAL						1	
52		SS8150710TP		SCREW 15/64-28 L=7						1	
53		21402706		LOWER SHAFT GEAR						1	
54		SS8660612TP		SCREW 1/4-40 L=6						2	
55		21402607		LOWER SHAFT INNER METAL						1	
56		SS8150710TP		SCREW 15/64-28 L=7						1	
57		22611651		THRUST COLLAR ASM. B						1	
58		22611602		THRUST COLLAR B				*		1	
59		SS8661030SP		SCREW 1/4-40 L=10				*		2	
60		SB120000200		BEARING 20X42				*		1	
61		SS7120760SP		SCREW 3/16-28 L=7.0						2	
62		22623201		SPROCKET WHEEL						1	
63		SS6661110SP		SCREW 1/4-40 L=11						2	
64		SB32000060B		BEARING	SELECTIVE PARTS					1	
65		SB32000060C		BEARING	SELECTIVE PARTS					1	
66		SS8150710TP		SCREW 15/64-28 L=7						1	
67		TA0750704R0		RUBBER PLUG						1	
68		EA9500B0100		CABLE BAND						1	
69		22606206		SPACER Y						1	

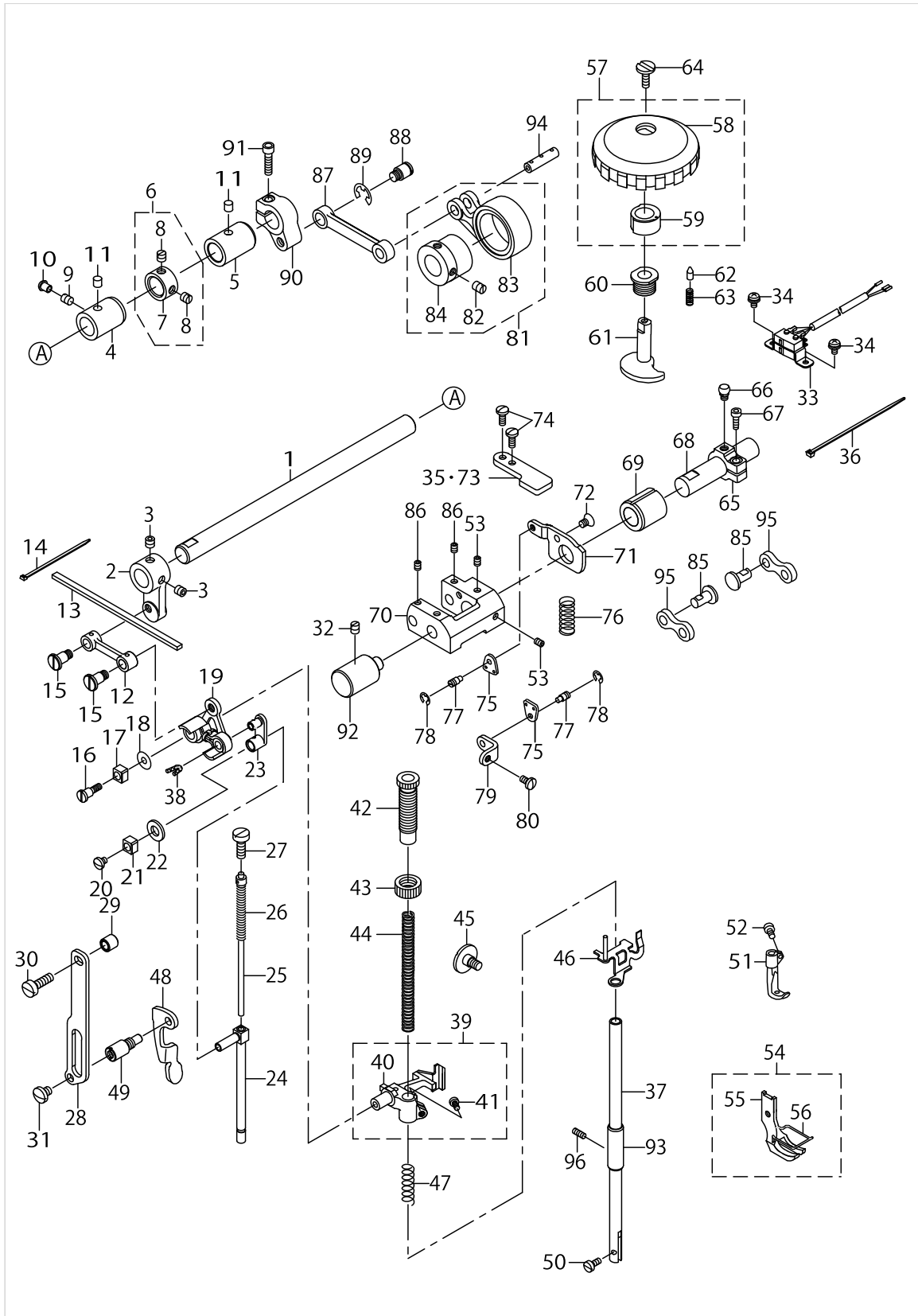
NEEDLE BAR ROCKING COMPONENTS



NEEDLE BAR ROCKING COMPONENTS

No.	Supply Code	Parts No.	Replacement	Parts name	Remarks	Choice	Step	Level	Cons	Qty	Rep. QTY
1		B1420563000		NEEDLE BAR FRAME						1	
2		21405204		HINGE STUD						1	
3		SS8151150TP		SCREW 15/64-28 L=10.5						1	
4		22814909		FELT						1	
5		21338405		NEEDLE BAR						1	
6	D	B1411053000		NEEDLE BAR CONNECTION						1	
7		B1412051000		FELT						1	
8	R	SS7090910SP	SS7090910TP	SCREW 9/64-40 L=8.5						1	1.00
9		21338504		NEEDLE BAR THREAD RACK						1	
10		SS7080510TP		SCREW 1/8-44 L=4.5						1	
11		M13517B1600		NEEDLE 135X17 #160						1	
12		B1467563000		UPPER FEED BAR GUIDE						1	
13		SS7110910TP		SCREW 11/64-40 L=8.5						2	
14		21388400		ROCKING BASE GUIDE						1	
15		SS7110830SP		SCREW 11/64-40 L=7.5						2	
16		21338603		ROCKING BASE GUIDE (B)						1	
17		SS6091022TP		SCREW						2	
18		21338900		ROCKING SHAFT						1	
19		21338801		ROCKINGFRONTARM						1	
20		SM8080802TP		SCREW						2	
21		B1410771000		STUD						1	
22		B1414232000		SQUARE BLOCK						1	
23		CQ202000000		OIL WICK						.05	
24		B1437051000		OIL WICK RETAINER						1	
25		21339304		ROCKING SHAFT FRONT METAL						1	
26		40027746		BUSHING REAR						1	
27		22814909		FELT						1	
28		21339056		ROCKING REAR ARM ASM.						1	
29		21339007		ROCKING REAR ARM				*		1	
30		SS6152440SP		SCREW 15/64-28 L=23.5				*		1	
31		21347406		ROCKING REAR ARM FELT				*		1	
32		EA9500B0100		CABLE BAND				*		2	

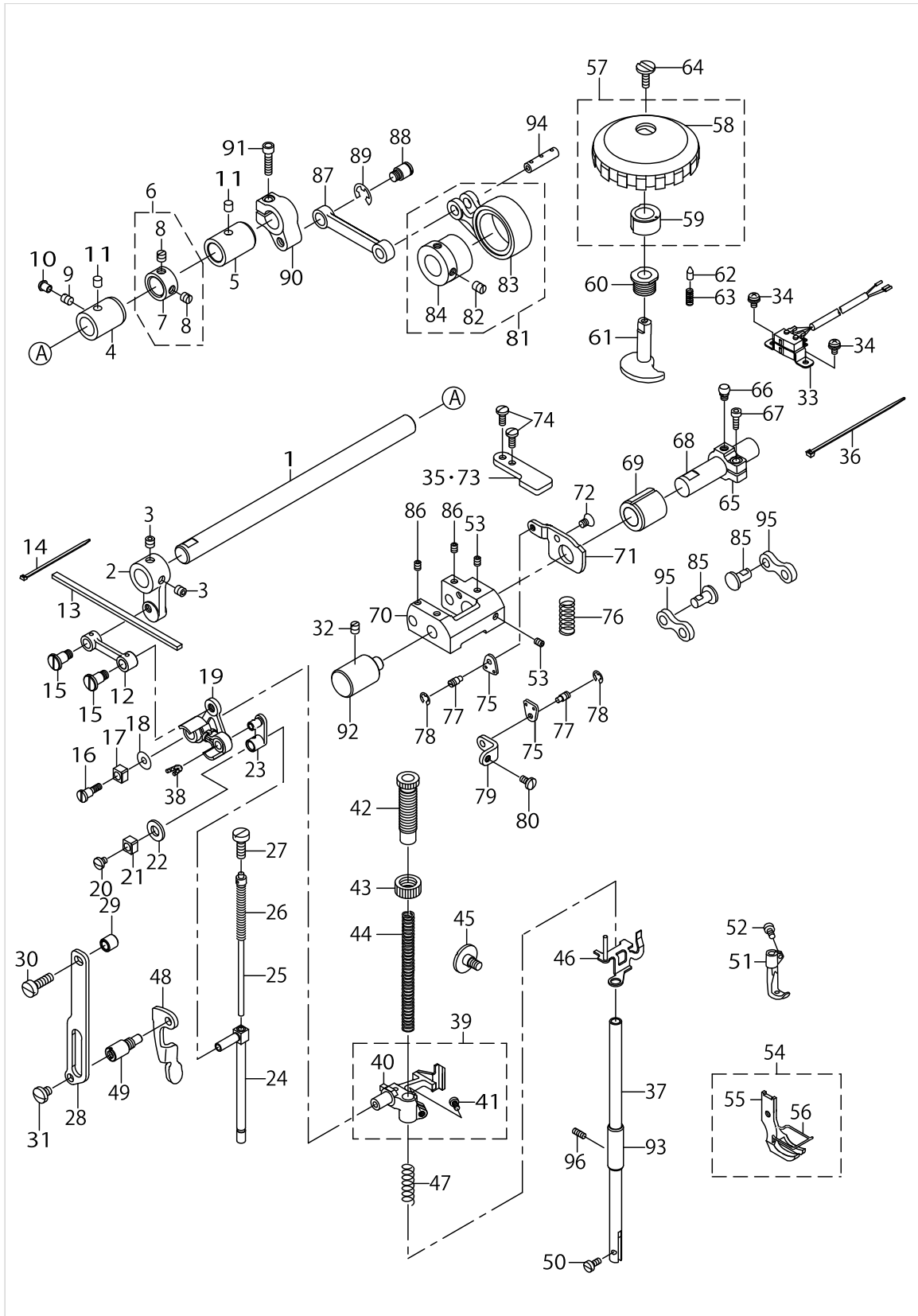
PRESSURE ADJUSTING & UPPER FEED MECHANISM COMPONENTS



PRESSURE ADJUSTING & UPPER FEED MECHANISM COMPONENTS

No.	Supply Code	Parts No.	Replacement	Parts name	Remarks	Choice	Step	Level	Cons	Qty	Rep. QTY
1		21340401		UPPER FEED SHAFT						1	
2		21340500		UPPER FEED FRONT ARM						1	
3		SS8660612TP		SCREW 1/4-40 L=6						2	
4		40039326		FRONT METAL						1	
5		21378302		FEED ROCK SHAFT METAL						1	
6		22904155		MAIN SHAFT THRU-ST COLLAR ASM.						1	
7	R	22904106	22904155	MAIN SHAFT THRUST COLLAR				*		1	1.00
8		SS8660610TP		SCREW 1/4-40 L=6				*		2	
9	R	SS8150710SP	SS8150710TP	SCREW 15/64-28 L=7						1	1.00
10		TA0750704R0		RUBBER PLUG						1	
11		22814909		FELT						2	
12		40033026		UPPER FEED LINK						1	
13		21347109		FELT						1	
14		EA9500B0000		CLIP CV-70S						2	
15		40018340		SCREW						2	
16		40018339		SCREW						1	
17		B1414555000		SLIDE BLOCK						1	
18		WP0501046SC		WASHER 5X13X1						1	
19		40033029		TRIANGULAR LEVER ASM.						1	
20		SS7110510SP		SCREW 11/64-40 L=5						1	
21		B1414555000		SLIDE BLOCK						1	
22		10509701		FELT						1	
23		40018341		WALKING BAR DRIVING LINK						1	
24		40033030		WALKING BAR A						1	
25		B14670530A0		WALKING BAR ASM.						1	
26		B1468053000		WALKING BAR SPRING						1	
27		SS6151780SP		SCREW 15/64-28 L=17.0						1	
28		21406509		UPPER FEED GUIDE PLATE						1	
29		26225201		ROLLER						1	
30		SS6151920SP		SCREW 15/64-28 L=19.0						1	
31		SS7150740SP		SCREW 15/64-28 L=7						1	
32	R	SS8150710SP	SS8150710TP	SCREW 15/64-28 L=7						1	1.00
33		40024852		VERTICAL DETECT-OR SWITCH ASM.						1	
34		SL4040881SC		SCREW M4 L=8						2	
35		21438205		UPPER FEED STOPPER PLATE	OPTIONAL PARTS					1	
36		EA9500B0100		CABLE BAND						1	
37		B1501241H00		PRESSER BAR						1	
38		CQ252000000		OIL WICK						.02	
39		40033032		PRESSER BAR HOLDER A ASM.						1	
40		40033031		PRESSER BAR HOLDER A				*		1	
41		SS7110910TP		SCREW 11/64-40 L=8.5				*		1	
42		21340906		PRESSER ADJUSTING SCREW						1	
43	R	22907604	22907554	PRESSER SPRING REGULATORY NUT						1	1.00
44		B1502246000		PRESSER SPRING						1	
45		SD0800481SP		HINGE SCREW D=8 H=4.9						1	

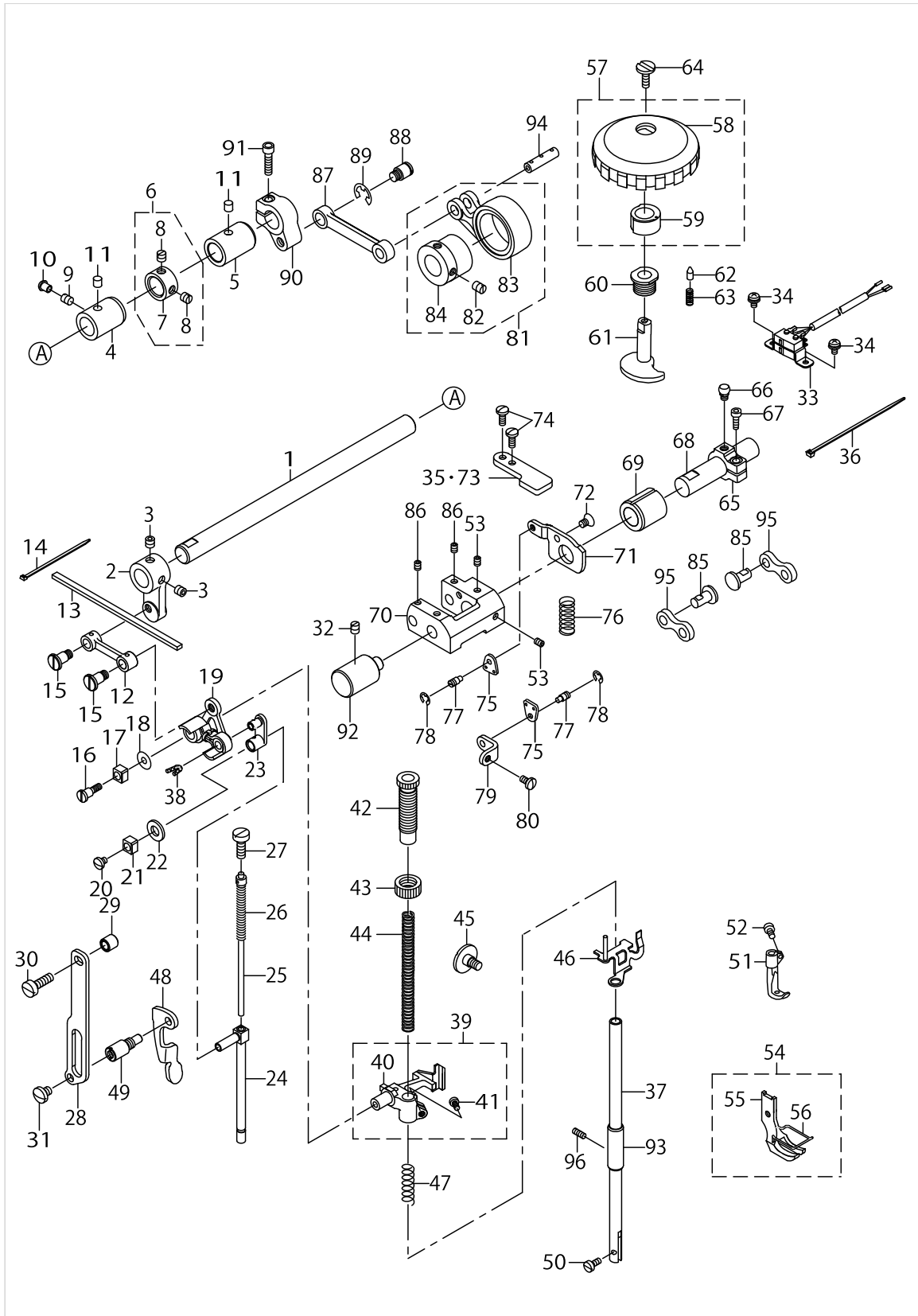
PRESSURE ADJUSTING & UPPER FEED MECHANISM COMPONENTS



PRESSURE ADJUSTING & UPPER FEED MECHANISM COMPONENTS

No.	Supply Code	Parts No.	Replacement	Parts name	Remarks	Choice	Step	Level	Cons	Qty	Rep. QTY
46		21341151		THREAD RELEASE HOLDING PLATE						1	
47		B1462053000		THREAD RELEASE SPRING						1	
48		21406103		PRESSER LIFTER LEVER						1	
49		21406608		GUIDE PLATE SPACER						1	
50		SS6090910TP		SCREW 9/64-40 L=9						1	
51	R	B1470241H00	B1470241HA0	WALKING FOOT						1	1.00
52		B1471241H00		SCREW						1	
53		SM8050602TP		SCREW M5 L=6						2	
54		B1525241HA0		PRESSER FOOT ASM.						1	
55	R	B1525241H00	B1525241HA0	PRESSER FOOT				*		1	1.00
56		10337905		FINGER GUARD				*		1	
57		10774354		UPPER AND LOWER DIAL ASM.						1	
58	R	10774305	10774354	VERTICAL DIAL				*		1	1.00
59		10774404		VERTICAL CAM				*		1	
60		10715100		VERTICAL DIAL SHAFT BUSHING						1	
61		40108542		VERTICAL ADJUSTING CAM						1	
62		10715704		VERTICAL DIAL PIN						1	
63		B152652700G		SPRING						1	
64		SS6110630TP		SCREW 11/64-40 L=6						1	
65		21341607		VERTICAL ADJUSTING ARM						1	
66		10715308		PIN						1	
67		SM6051402TP		SCREW M5X0.8 L=14						1	
68		21341508		VERTICAL CHANGE BASE SHAFT						1	
69		10718203		FEED SHAFT FRONT METAL						1	
70		10714202		VERTICAL CHANGE BELT						1	
71		21339601		UPPER FEED STOPPER PLATE (A)						1	
72	R	SM1050801SR	SM1050801SC	SCREW M5 L=8						1	1.00
73		21339700		UPPER FEED STOPPER PLATE (B)						1	
74		SS7111120TP		SCREW						2	
75		10713501		SPRING HOOK						2	
76		10716504		VERTICAL SHAFT SPRING						1	
77		B3416552000		CONNECTING ROD HINGE SCREW						2	
78		RE0500000K0		E-RING						2	
79		21339809		UPPER FEED DOG SPRING HOOK						1	
80		SS7110830SP		SCREW 11/64-40 L=7.5						1	
81		40075553		ECCENTRIC ROD(SET)						1	
82		SS8660810TP		SCREW 1/4-40 L=8				*		2	
83		10713758		UPPER FEED CAM ROD ASM.				*		1	
84		10713600		UPPER FEED CUM				*		1	
85	R	10714608	40052263	CONNECTION LINK B SUPPORT PIN						2	1.00
86		SM8050602TP		SCREW M5 L=6						2	
87		21340005		UPPER FEED LINK (B)						1	
88		21048707		HINGE SCREW						1	
89		RE0800000K0		E-SHAPED SNAP RING (8MM)						1	
90		21340302		UPPER FEED REAR ARM (B)						1	

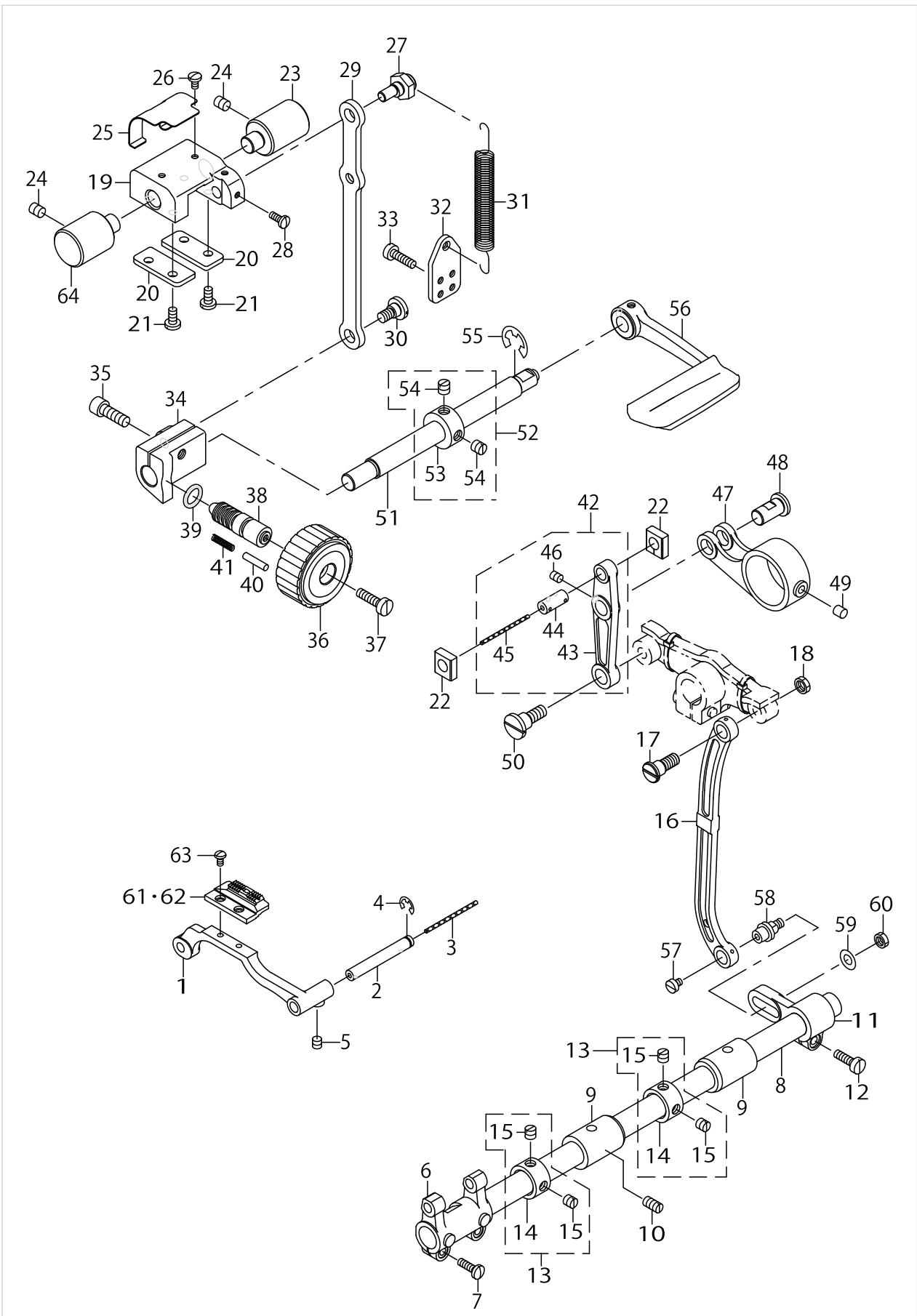
PRESSURE ADJUSTING & UPPER FEED MECHANISM COMPONENTS



PRESSURE ADJUSTING & UPPER FEED MECHANISM COMPONENTS

No.	Supply Code	Parts No.	Replacement	Parts name	Remarks	Choice	Step	Level	Cons	Qty	Rep. QTY
91		SM6052002TP		SCREW M5 L=20						1	
92		21337803		FEED ADJUSTING BASE SUPPORT						1	
93		B1510155000		PRESSER BAR LOWER BUSHING						1	
94		10713808		CONNECTION LINK PIN B						1	
95		40107949		CONNECTION LINK B						2	
96		SS8111010TP		SCREW 11/64-40 L=9.5						1	

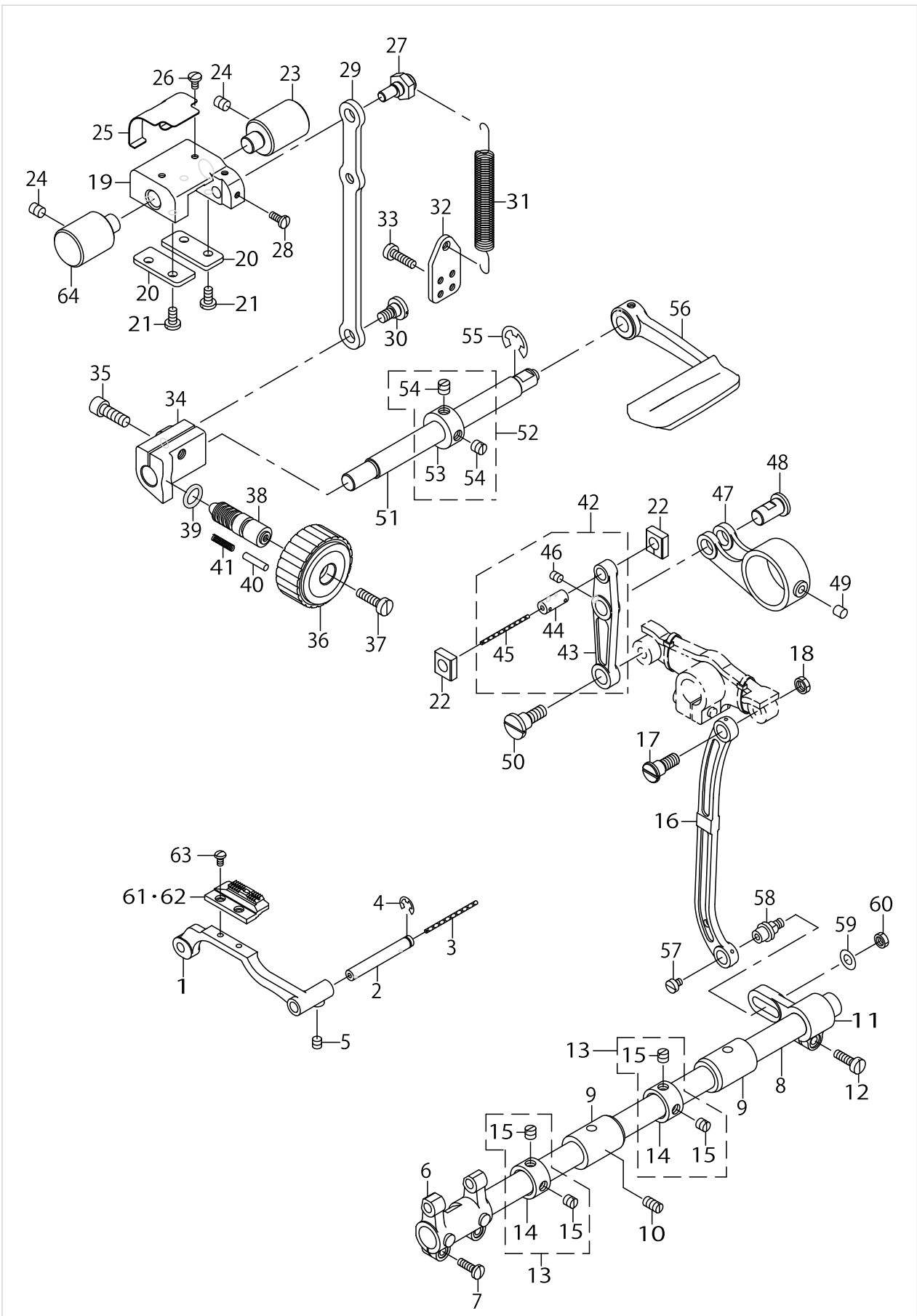
FEED MECHANISM COMPONENTS



FEED MECHANISM COMPONENTS

No.	Supply Code	Parts No.	Replacement	Parts name	Remarks	Choice	Step	Level	Cons	Qty	Rep. QTY
1		21405402		FEED BASE						1	
2		B1604012000A		FEED BAR SHAFT						1	
3		CQ202000000		OIL WICK						.14	
4		RE0500711KP		SNAP RING 5						1	
5		SM8050512TP		SCREW M5 L=5						1	
6		21417001		FEED ROCKER						1	
7		SS7111410TP		SCREW11/64-40L=14						2	
8		22609408		FEED ROCK SHAFT						1	
9		21378302		FEED SHAFT METAL						2	
10		SS8151150TP		SCREW 15/64-28 L=10.5						1	
11		B3025141H00A		CONNECTING ARM						1	
12		SS6121210TP		SCREW 3/16-28 L=12						1	
13		22904155		MAIN SHAFT THRU-ST COLLAR ASM.						2	
14	R	22904106	22904155	MAIN SHAFT THRUST COLLAR				*		1	1.00
15		SS8660610TP		SCREW 1/4-40 L=6				*		2	
16		10205201		NEEDLE BAR FRAME ROD						1	
17		SD0900701TP		HINGESCREWD=9H=7						1	
18		NS6680320SP		NUT 9/32-28						1	
19		21337506		FEED ADJUSTING BASE						1	
20		21337704		FEED ADJUSTING BASE COVER						2	
21		SS7110910TP		SCREW 11/64-40 L=8.5						4	
22		21337407		SQUARE BLOCK						2	
23		21337803		FEED ADJUSTING BASE SUPPORT						1	
24		SS8150822TP		SCREW 15/64-28 L=8						2	
25		21338306		FELT SUPPORT						1	
26		SS7090610SP		SCREW 9/64-40 L=6						2	
27		21337902		ECCENTRIC PIN						1	
28		SS7090910TP		SCREW 9/64-40 L=8.5						2	
29		21337308		FEED ADJUSTING ROD						1	
30		SD0800402TP		HINGESCREWD=8H=4						1	
31		21337605		SPRING						1	
32		40019926		SPRING HOOK						1	
33		SS6111610SP		SCREW11/64-40L=16						2	
34		21337209		FEED ADJUSTING A						1	
35		SM6061802TP		SCREW M6 L=18						1	
36		21336805		FEED DIAL A						1	
37		SS6121860SP		SCREW 3/16-28 L=18						1	
38	R	11009909	22911804	FEED REGULATOR SCREW						1	1.00
39		RO092270200		RUBBER RING						1	
40		22912000		FEED REGULATOR PIN						1	
41		22912109		FEED REGULATOR PIN SPRING						1	
42		21336656		FEED LINK ASM.						1	
43		21336607		FEED LINK				*		1	
44	R	B1418761000	40009103	CONNECTING FORKED LINK PIN				*		1	1.00
45		CQ202000000		OIL WICK				*		0.04	
46		SM8050612TP		SCREW M5X6				*		1	

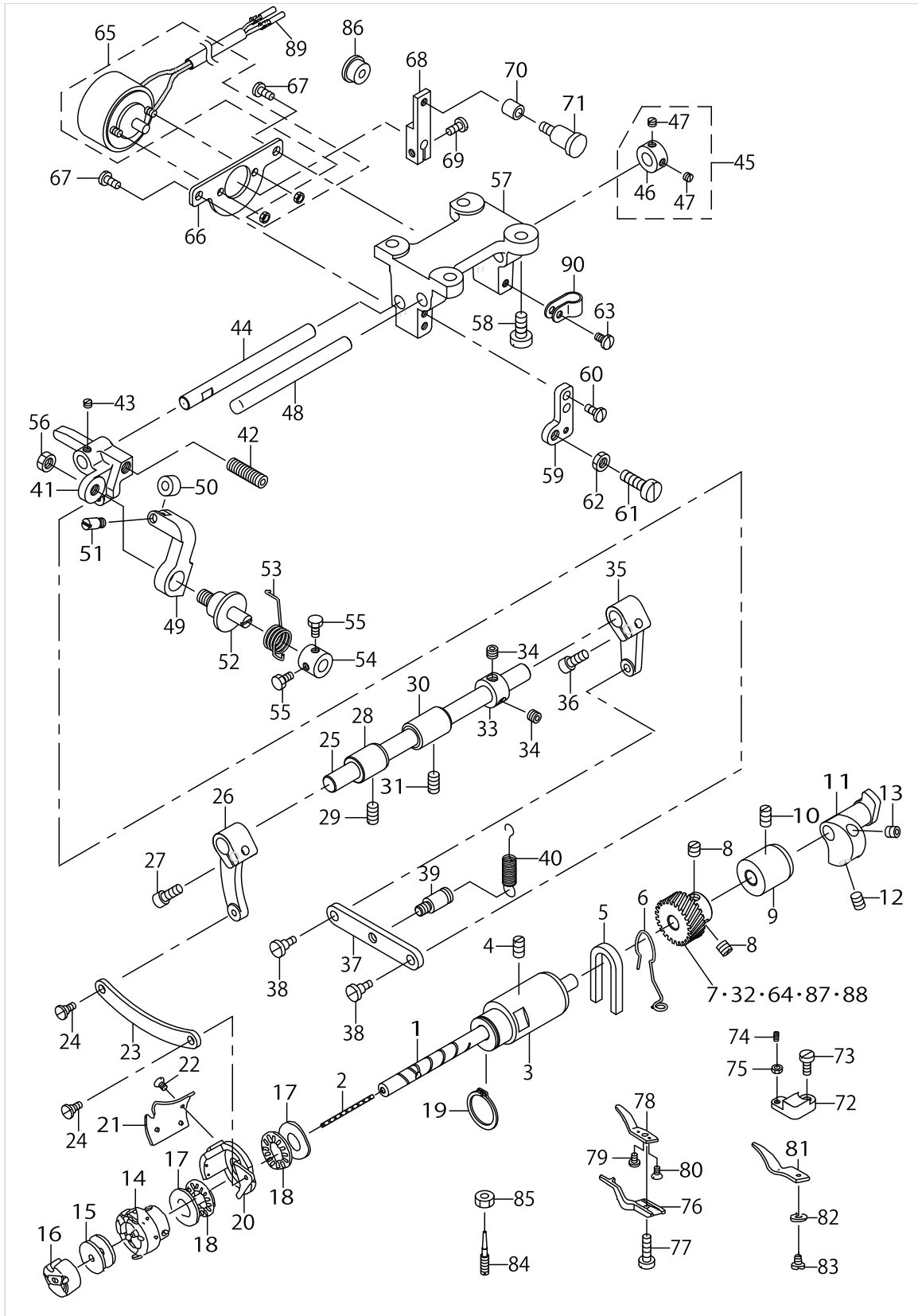
FEED MECHANISM COMPONENTS



FEED MECHANISM COMPONENTS

No.	Supply Code	Parts No.	Replacement	Parts name	Remarks	Choice	Step	Level	Cons	Qty	Rep. QTY
47		21336706		FEED ROD A						1	
48	R	21338207	21378906	FEED LINK PIN						1	1.00
49		21387402		FELT						1	
50		SD1000801SH		HINGE SCREW D=10 H=8						1	
51		21336300		BACKWARD FEED LEVER SHAFT						1	
52		CS1201010SH		THRUST COLLAR ASM. D=12 W=10						1	
53		CS1201011SH		THRUST COLLAR D=12 W=10				*		1	
54		SS8660610TP		SCREW 1/4-40 L=6				*		2	
55		RE0900000K0		E-RING 9						1	
56		21388004		REVERSE FEED ROCK SHAFT						1	
57		SS6110520TP		SCREW 11/64-40 L=4.5						1	
58		40108541		FEED ROCK SHAFT HINGE SCREW						1	
59		WP0650876SD		WASHER 6.5X13X0.8						1	
60		NS6150310SP		NUT 15/64-28						1	
61		40019908		FEED DOG(4X2.5)						1	
62		40019911		FEED DOG(2.6X2.2)	OPTIONAL PARTS					1	
63		SS4080620TP		SCREW 1/8-44 L=6						2	
64		21430400		FEED ADJUSTER SUPPORT						1	

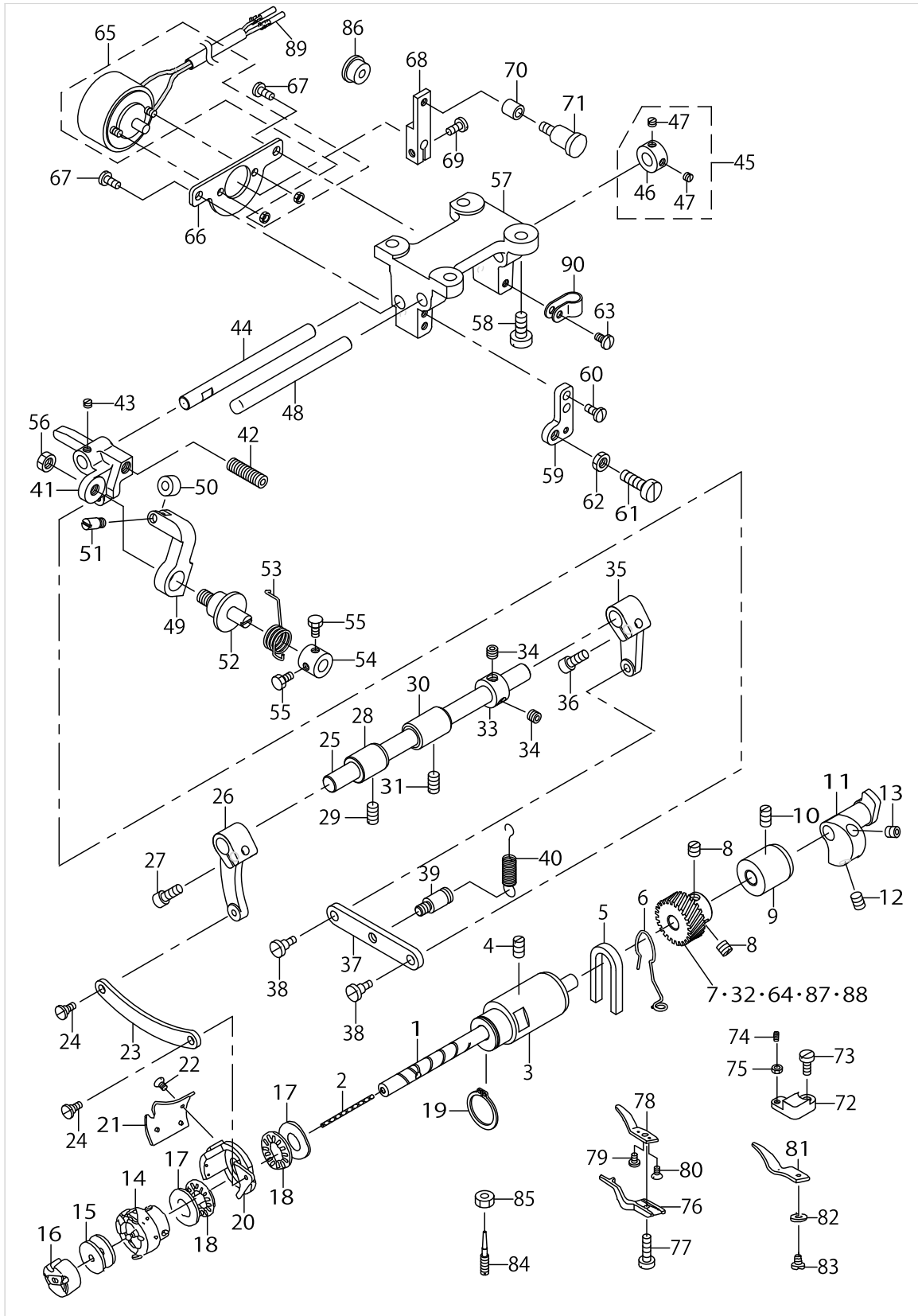
HOOK SHAFT & THREAD TRIMMER COMPONENTS



HOOK SHAFT & THREAD TRIMMER COMPONENTS

No.	Supply Code	Parts No.	Replacement	Parts name	Remarks	Choice	Step	Level	Cons	Qty	Rep. QTY
1		21403506		HOOK SHAFT						1	
2		CQ200000000		OIL WICK						.1	
3		21403803		HOOK SHAFT BUSHING FRONT						1	
4		SS8150822TP		SCREW 15/64-28 L=8						1	
5		B1155141H00		FELT						1	
6		21407804		FELT SUPPORT						1	
7		21404009		HOOK SHAFT GEAR A	SELECTIVE PARTS					1	
8		SS8660610TP		SCREW 1/4-40 L=6						2	
9		B1803141H00		BUSHING INTERMEDIATE						1	
10		SS8150822TP		SCREW 15/64-28 L=8						1	
11		21416607		THREAD TRIMMER CAM						1	
12		SM8060812TP		SCREW M6 L=8						1	
13		SM8060612TP		SCREW M6 L=6						1	
14		D1830241EA0		HOOK ASM.						1	
15		D9117141E00		BOBBIN						1	
16		D1837141EA0		BOBBIN CASE ASM.						1	
17		D2455141E00		RING						2	
18		D2454141E00		BEARING						2	
19		RC1850001KP		SNAP RING 18.5						1	
20		D2415241E00A		MOVING KNIFE BASE						1	
21		D2423241E00		MOVING KNIFE						1	
22		SS1110710SP		SCREW 11/64-40 L=7						2	
23		21416300		CONNECTING LINK						1	
24		SD0500301SP		HINGESCREWD=5H=3						2	
25		21415906		KNIFE DRIVING SHAFT						1	
26		21415708		KNIFE DRIVING SH- AFT ARM FRONT						1	
27		SM6051202TP		SCREW M5X0.8 L=12						1	
28		21416102		SHAFT BUSHING FRONT						1	
29		SS8151150TP		SCREW 15/64-28 L=10.5						1	
30		21416201		SHAFT BUSHING REAR						1	
31		SS8151150TP		SCREW 15/64-28 L=10.5						1	
32		21404306		HOOK SHAFT GEAR D	SELECTIVE PARTS					1	
33		CS1001012TH		THRUST COLLAR						1	
34		SS8660512TP		SCREW 1/4-40 L=5						2	
35		21415807		KNIFE DRIVING SHAFT ARM REAR						1	
36		SM6051202TP		SCREW M5X0.8 L=12						1	
37		21416003		CONNECTING LINK						1	
38		SD0600403TP		HINGE SCREW						2	
39		26212308		BELT COVER SCREW						1	
40		21416508		SPRING						1	
41		21415500		CAM DRIVING BRACKET						1	
42		D2445141E00		SCREW A						1	
43		SS8110320SP		SCREW 11/64-40 L=3.2						1	
44		21415609		CAM DRIVING SHAFT						1	
45		CS080081ASH		THRUST HOLDER ASM. D=8 W=8						1	
46		CS0800816SH		THRUST HOLDER D=8 W=8				*		1	

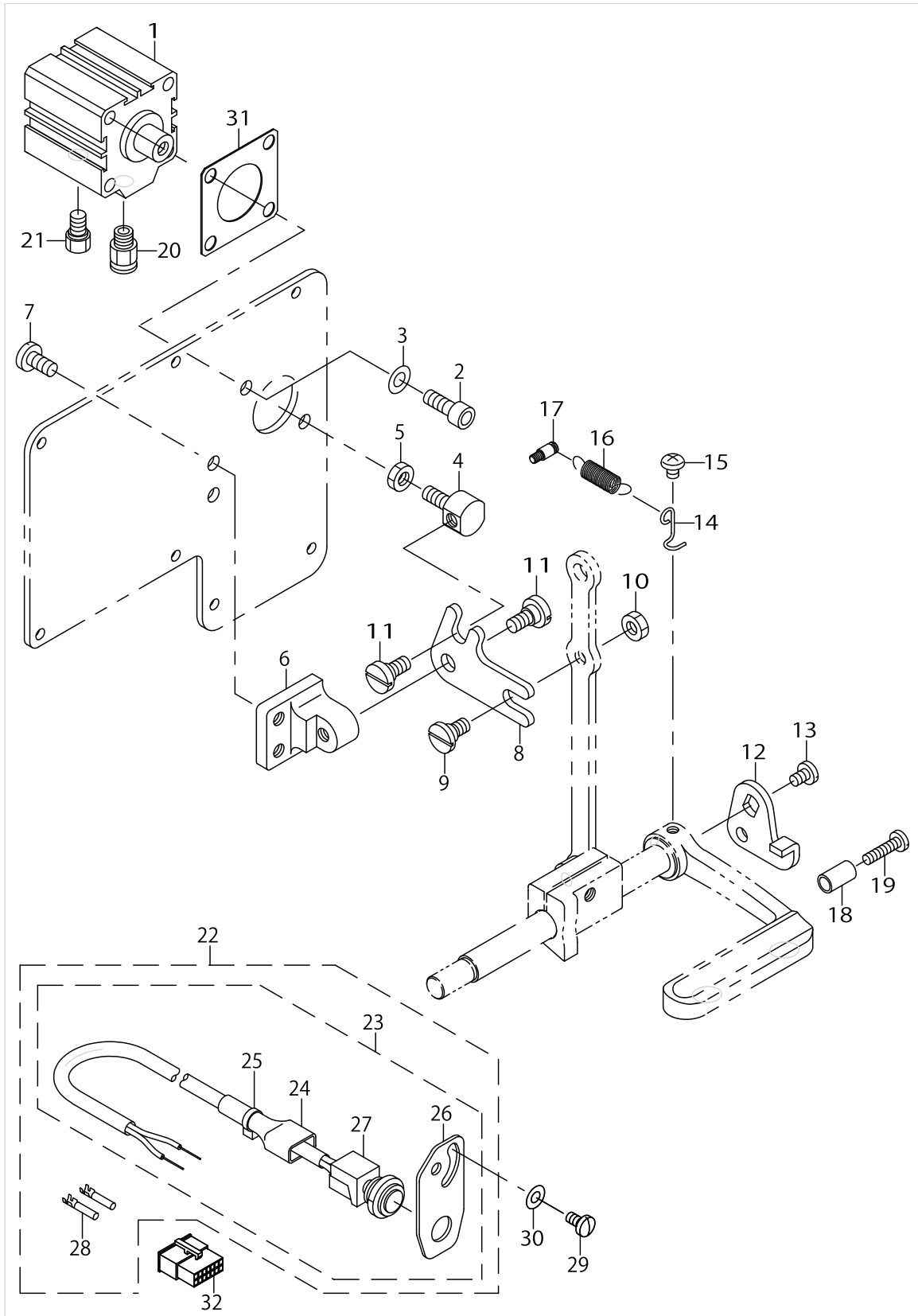
HOOK SHAFT & THREAD TRIMMER COMPONENTS



HOOK SHAFT & THREAD TRIMMER COMPONENTS

No.	Supply Code	Parts No.	Replacement	Parts name	Remarks	Choice	Step	Level	Cons	Qty	Rep. QTY
47		SS8110320SP		SCREW 11/64-40 L=3.2				*		2	
48		21415401		THREAD TRIMMER DRIVING SHAFT						1	
49		D2431141E00		CAM FOLLOWER						1	
50		D2432141E00		CAM ROLLER						1	
51		D2444141E00		HINGE SCREW						1	
52		D2434141E00A		CAM FOLLOWER SHAFT						1	
53		D2435141E00A		SPRING						1	
54		D2439141E00		THRUST COLLAR						1	
55		SS9090813TP		SCREW 9/64-40 L=8						2	
56		NS6660430SP		NUT 1/4-40						1	
57		21415302		THREAD TRIMMER BASE						1	
58		SS6151440SP		SCREW15/64-28L=14						4	
59		21416409		STOPPER PLATE ASM.						1	
60		SS7110910TP		SCREW 11/64-40 L=8.5						2	
61		SS6151920SP		SCREW 15/64-28 L=19.0						1	
62		NS6150310SP		NUT 15/64-28						1	
63		SS7110710SP		SCREW 11/64-40 L=7						1	
64		21403902		HOOK SHAFT GEAR Z	SELECTIVE PARTS					1	
65		21415005		SOLENOID						1	
66		21415104		SOLENOID INSTALLING PLATE						1	
67		SS7110710SP		SCREW 11/64-40 L=7						2	
68		21415203		SOLENOID ARM						1	
69	R	SS7110910SP	SS7110910TP	SCREW 11/64-40 L=8.5						1	1.00
70		B3031141H00		CONNECTING STUD						1	
71		D2423245E00		CAM ROLLER ARM						1	
72		21416706		ADJUSTING SCREW BASE						1	
73	R	SS6111010SP	SS6111010TP	SCREW 11/64-40 L=9.5						1	1.00
74		D2443241E00		ADJUSTING SCREW						1	
75		NS6080210SP		NUT 1/8-44						1	
76		21403704		BOBBIN CASE POSITIONING FINGER						1	
77		SS6111010TP		SCREW 11/64-40 L=9.5						1	
78		D2424241E00		COUNTER KNIFE						1	
79		SS7080510TP		SCREW 1/8-44 L=4.5						1	
80		SS1080620SP		SCREW 1/8-44 L=6						1	
81		D2429241E00		UPPER THREAD CLAMP SPRING						1	
82		WP0450000SD		WASHER 4.5X8X0.5						1	
83		SS7110410SP		SCREW 11/64-40 L=4						1	
84		B1834512000A		OIL ADJUSTING SCREW						1	
85		NS6110530SP		NUT 11/64-40						1	
86		10622009		COAD BUSH						1	
87		21404207		HOOK SHAFT GEAR C	SELECTIVE PARTS					1	
88		21404108		HOOK SHAFT GEAR B	SELECTIVE PARTS					2	
89		HK03464000B		PIN CONTACT						1	
90		HX00123000A		CABLE CLIP						1	

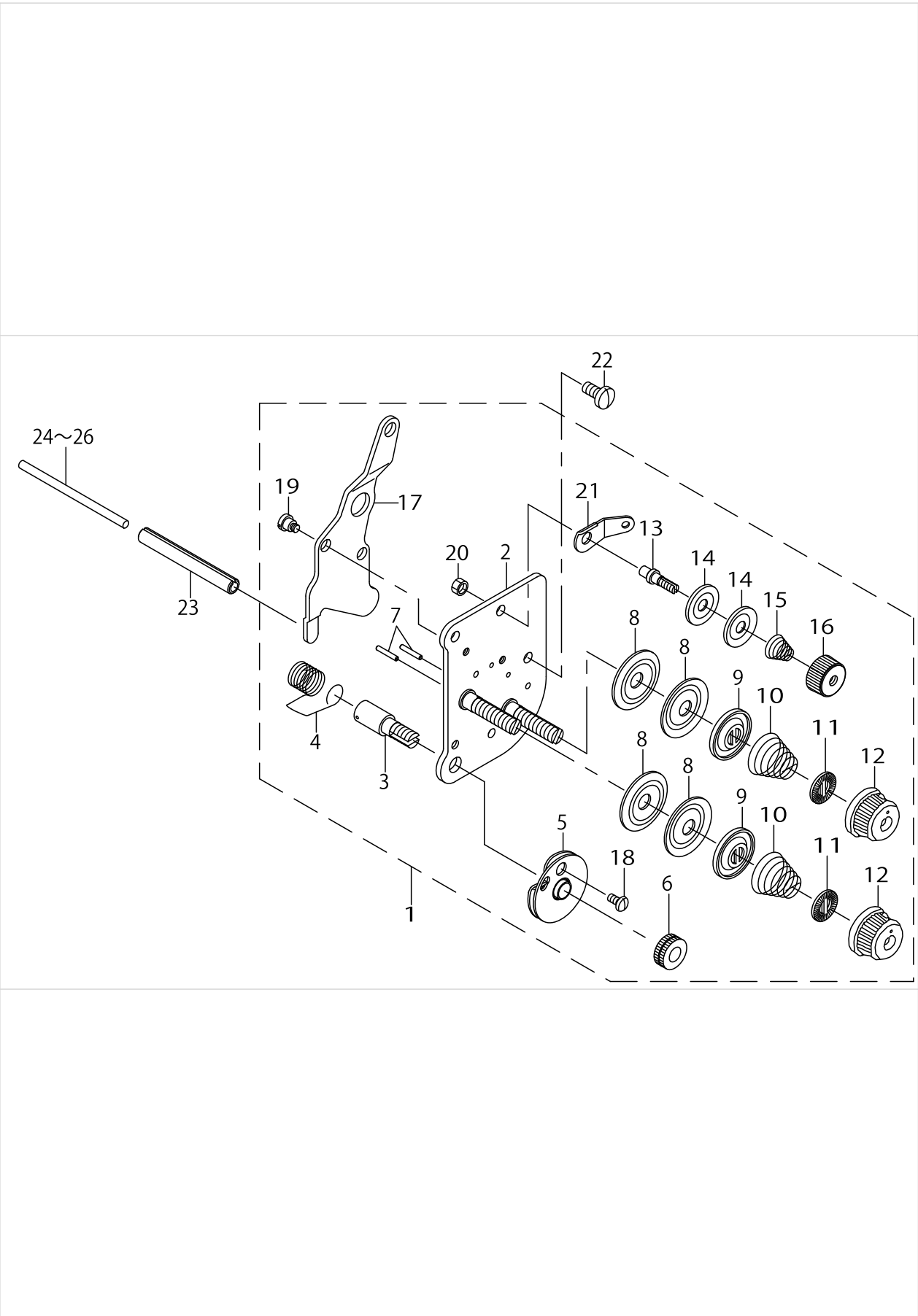
AUTOMATIC BACK COMPONENTS



AUTOMATIC BACK COMPONENTS

No.	Supply Code	Parts No.	Replacement	Parts name	Remarks	Choice	Step	Level	Cons	Qty	Rep. QTY
1		PA320150200		JIG CYLINDER						1	
2		SM6061602TP		SCREW M6 L=16						2	
3		WP0641601SD		WASHER M6						2	
4		21348602		CYLINDER CONNECTING SCREW						1	
5		NM6060003SC		NUT M6						1	
6		21348503		FITTING BASE						1	
7		SS7151210SP		SCREW15/64-28L=12						2	
8		21348701		BACKWARD FEED LINK						1	
9		SD0800402TP		HINGESCREW D=8H=4						1	
10		NS6150430SP		NUT 15/64-28						1	
11		SD0800352SP		HINGE SCREW D=8 H=3.5						2	
12		22656102		REVERSE FEED LINK (1)						1	
13		SS7120760SP		SCREW 3/16-28 L=7.0						1	
14		40023289		SPRINGSUSPENSION						1	
15		SS4120615SP		SCREW 3/16-28 L=6						1	
16	R	13515606	26226209	SPRING						1	1.00
17		10120004		SPRINGSUSPENSION						1	
18		22952501		BACK LEVER STOPPER						1	
19	R	SS7111810SP	SS7111810TP	SCREW11/64-40L=18						1	1.00
20		PJ301065104		HALF UNION						1	
21		PX015101000		MUFFLER						1	
22		40056366		BT SWITCH C ASM.						1	
23		40056365		BT SWITCH B ASM.				*		1	
24		GTS01037000		CONNECTOR COVER				*		1	
25		EA9500B0100		CABLE BAND				*		1	
26	R	21388608	21388665	CABLE BAND				*		1	1.00
27		40056364		BT SWITCH A ASM.				*		1	
28		HK03464000A		TERMINAL FEMALE				*		2	
29		SS7110840SP		SCREW 11/64-40 L=7.8						2	
30		WP0501016SD		WASHER 5X10.5X1						2	
31		21349105		CYLINDER PACKING						1	
32		HK034610120		HOUSING 12P						1	

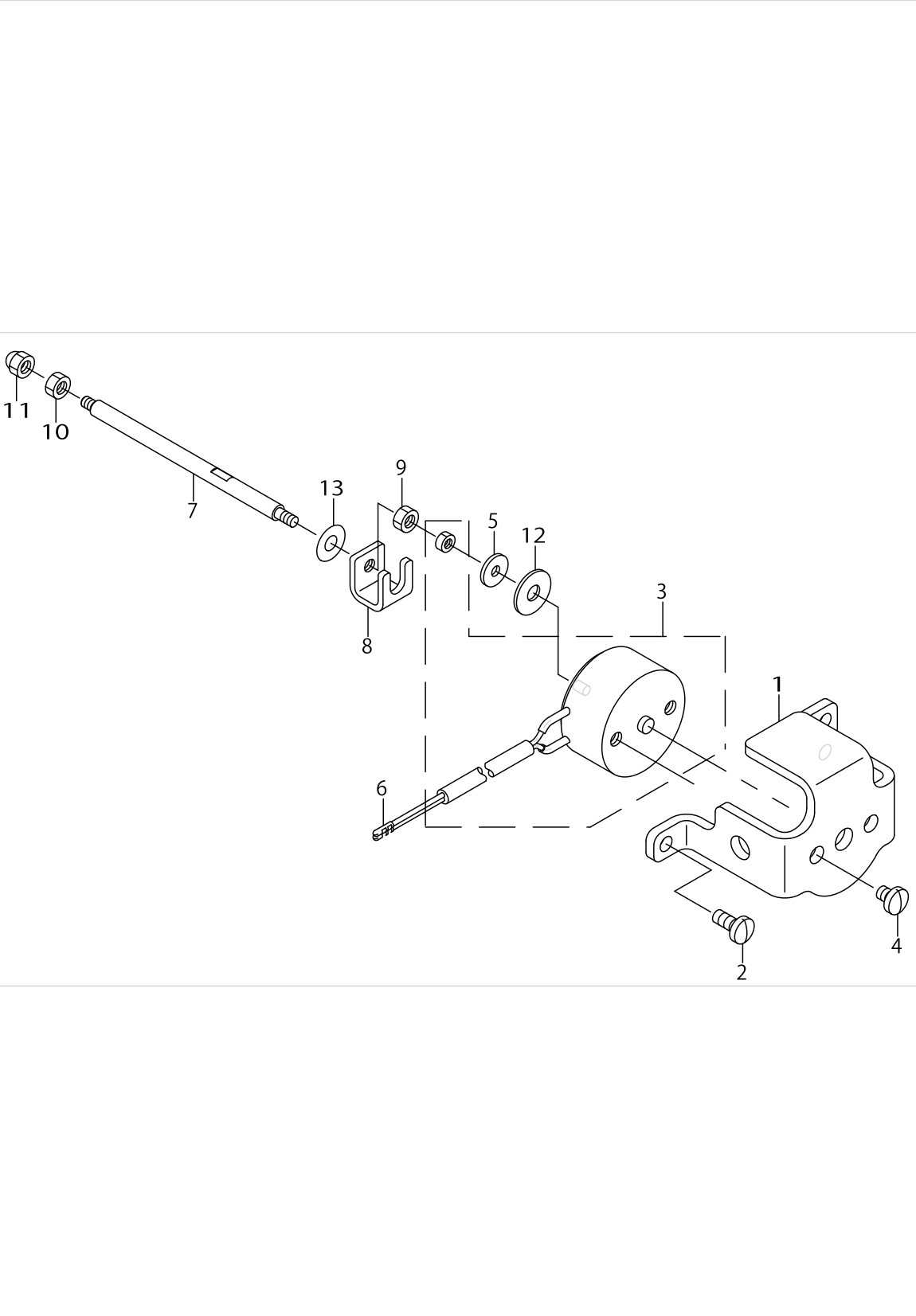
THREAD TENSION COMPONENTS



THREAD TENSION COMPONENTS

No.	Supply Code	Parts No.	Replacement	Parts name	Remarks	Choice	Step	Level	Cons	Qty	Rep. QTY
1		40103925		THREAD TENSION ASM.						1	
2		21441050		TENSION POST COMPL.				*		1	
3		10320109		SCREW STUD				*		1	
4		B3128520000		TENSION SPRING				*		1	
5		B31370510A0		TAKE-UP SPRING GUIDE DISC ASM.				*		1	
6	R	B3125012000	22928808	THREAD TENSION NUT				*		1	1.00
7		22618201		TENSION RELEASE PIN A				*		2	
8		13138201		THREAD TENSION DISK				*		4	
9		22617906		THREAD TENSION DISK PRESSER				*		2	
10		B3129526000		TENSIONSPRING(1.2)				*		2	
11		22921407		ROTATION STOPPER				*		2	
12		22921308		THREAD TENSION NUT				*		2	
13		10124204		THREAD TENSION POST A				*		1	
14		10741106		FIRST THREAD TENSION PLATE				*		2	
15		22945505		THREAD TENSION SPRING				*		1	
16		22945703		THREAD TENSION NUT				*		1	
17		21441100		TENSION RELEASE PLATE				*		1	
18		SS4080620TP		SCREW 1/8-44 L=6				*		1	
19		SD0470281SP		HINGE SCREW D=4.7 H=2.8				*		2	
20		NS6110310SP		NUT 11/64-40				*		1	
21		D3162555B00		THREAD GUIDE				*		1	
22		SS7110910TP		SCREW 11/64-40 L= 8.5						2	
23		PS0600502KP		SPRING PIN						1	
24		21348206		TENSION RELEASE BAR	SELECTIVE PARTS					1	
25		10321107		TENSION RELEASE BAR	SELECTIVE PARTS					1	
26		23006406		TENSION RELEASE BAR						1	

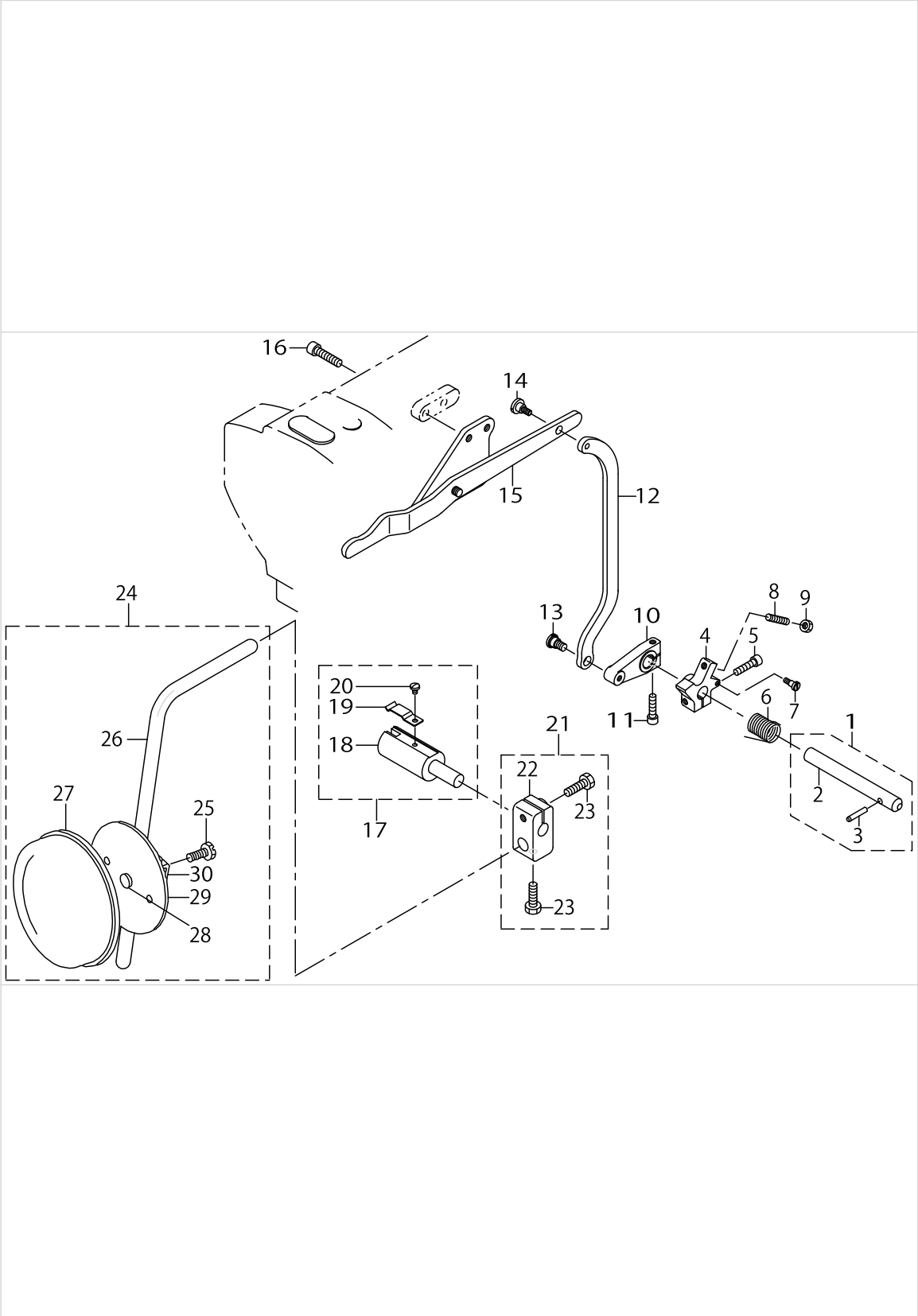
THREAD RELEASE COMPONENTS



THREAD RELEASE COMPONENTS

No.	Supply Code	Parts No.	Replacement	Parts name	Remarks	Choice	Step	Level	Cons	Qty	Rep. QTY
1		21441407		SOLENOID INSTALLING PLATE						1	
2		SS7110910TP		SCREW 11/64-40 L=8.5						3	
3		21363106		TENSION RELEASE SOLENOID						1	
4		SS7110570SP		SCREW 11/64-40 L=4.8						2	
5		40062388		WASHER						1	
6		HK03464000B		PIN CONTACT						2	
7		21441209		TENSION RELEASE BAR						1	
8		21441308		COUPLING						1	
9		NM6040001SN		NUT M4X0.7						1	
10		NM6040001SN		NUT M4X0.7						1	
11		NM7040062SB		NUT M4						1	
12		WP0501046SC		WASHER 5X14X1						1	
13		WP0482086SD		WASHER 4.8X11.5X2						1	

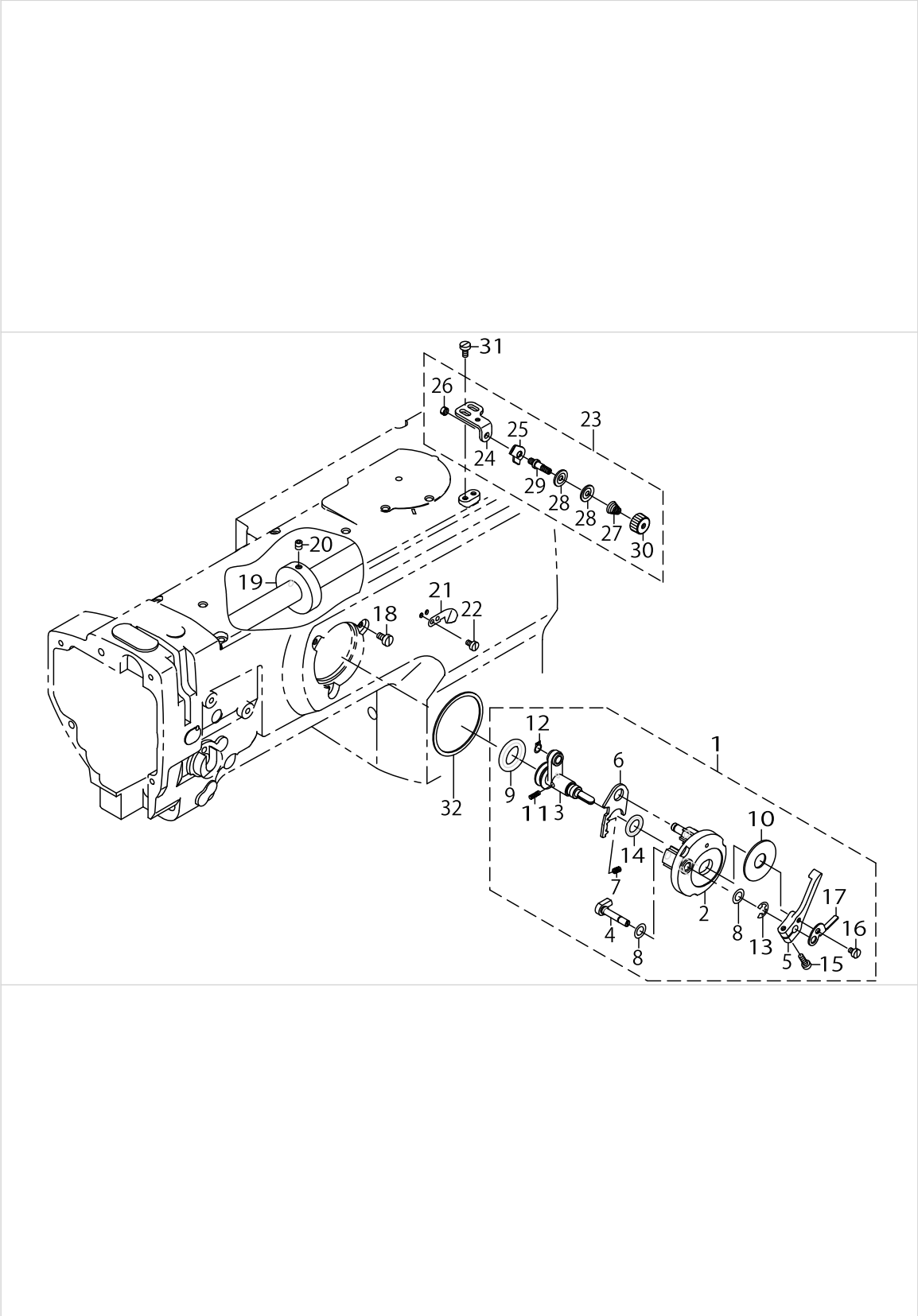
KNEE LIFTING MECHANISM COMPONENTS



KNEE LIFTING MECHANISM COMPONENTS

No.	Supply Code	Parts No.	Replacement	Parts name	Remarks	Choice	Step	Level	Cons	Qty	Rep. QTY
1		21406053		KNEE LIFTER SHAFT ASM.						1	
2		21406004		KNEE LIFTER SHAFT				*		1	
3	R	21342605	21342555	KNEE LIFTER SHAFT PIN				*		1	1.00
4		21405808		KNEE LIFTER SPRING RACK						1	
5		SM6052002TP		SCREW M5 L=20						1	
6		21405907		KNEE LIFTER SHAFT SPRING						1	
7		SD0500481TP		HINGE SCREW D=5 H=4.8						1	
8		SM8052502TP		SCREW M5X0.8 L=25						1	
9		NM6050001SD		NUT M5X0.8						1	
10		21405709		KNEE LIFTER ARM						1	
11		SM6052002TP		SCREW M5 L=20						1	
12		21405600		KNEE LIFTER CONNECTING PLATE						1	
13		SD0790451SP		HINGE SCREW D=7.94 H=4.5						1	
14		SD0700451TP		HINGE SCREW D=7 H=4.5						1	
15		21343355		KNEE LIFTER LEVER ASM.						1	
16		SM6062502TP		SCREW M6 L=25						2	
17		22863252		KNEE LIFTER JOINT ASM.						1	
18	R	22863203	22863252	KNEE LIFTER JOINT				*		1	1.00
19		B3428521000		PRESSER SPRING				*		1	
20		SS7090510SP		SCREW 9/64-40 L=4.6				*		1	
21		22932453		BRACKET ASM.						1	
22	R	22932404	22932453	BRACKET				*		1	1.00
23		22934707		SCREW				*		2	
24		21343157		KNEE PRESS PLATE ASM.						1	
25		SM9061203SE		SCREW M6 L=12				*		1	
26	R	21343108	21343157	KNEE PRESS LEVER				*		1	1.00
27		22934509		KNEE PAD PLATE COVER				*		1	
28		22934400		KNEE PAD PLATE RUBBER				*		1	
29		22934202		KNEE PAD PLATE				*		1	
30		22934301		KNEE PAD PLATE SUPPORT				*		1	

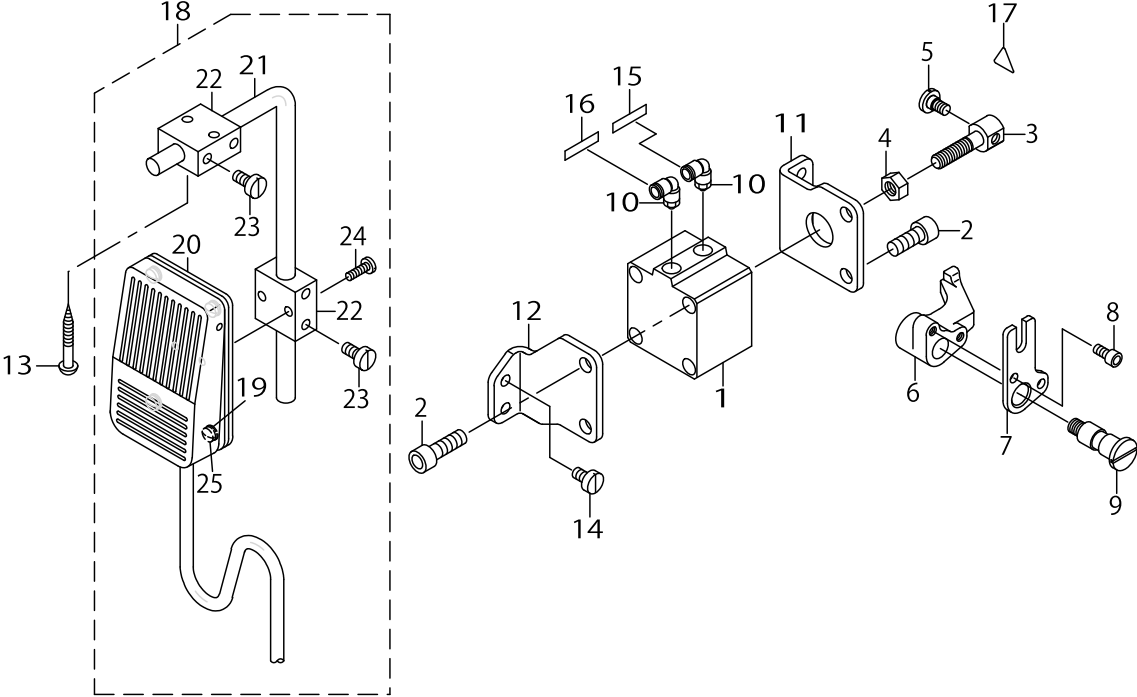
LOWER THREAD WINDER MECHANISM COMPONENTS



LOWER THREAD WINDER MECHANISM COMPONENTS

No.	Supply Code	Parts No.	Replacement	Parts name	Remarks	Choice	Step	Level	Cons	Qty	Rep. QTY
1		21357967		BOBBIN DEVICE ASM.						1	
2		22537658		BOBBIN FITTING BASIS COMPL.				*		1	
3		21357959		BOBIN SHAFT COMPL.				*		1	
4		22538151		BOBBIN CAM SHAFT COMPL.				*		1	
5		23636202		BOBBIN LEVER				*		1	
6		21356001		ADJUSTING PLATE				*		1	
7		B152989000CA		PRESSUR FOOT SPRING				*		1	
8		10618304		VERTICAL ROLLER WASHER				*		2	
9		21358205		RUBBER RING				*		1	
10		B3205210000		CUSHION				*		1	
11	R	B1148555000	22912109	SPRING				*		1	1.00
12		RC0560711KP		RETAINING RING				*		1	
13		RE0500000K0		E-RING				*		1	
14		RO092270200		RUBBER RING				*		1	
15		SS7091410SP		SCREW 9/64-40 L=13.5				*		1	
16		SS6090520SP		SCREW 9/64-40 L=5.0				*		1	
17		14512503		BOBBIN ADJUSTING PLATE				*		1	
18		SS6110810TP		SCREW 11/64-40 L=8						3	
19		10704807		BOBBIN FRICTION WHEEL						1	
20		SM8050602TP		SCREW M5 L=6						2	
21		10502300		THREAD CUTTER						1	
22		SS6090620TP		SCREW						2	
23		21355755		LOWER THREAD GUIDE ASM.						1	
24	R	21355706	21355755	FITTING BASE				*		1	1.00
25		D3162555B00		THREAD GUIDE				*		1	
26		NS6110310SP		NUT 11/64-40				*		1	
27		22945505		THREAD TENSION SPRING				*		1	
28		40113092		THREAD TENSION DISK				*		2	
29	R	21378708	21355755	THREAD TENSION POST				*		1	1.00
30		22945703		THREAD TENSION NUT				*		1	
31		SM6040800SP		SCREW						2	
32		22538706		PACKING						1	

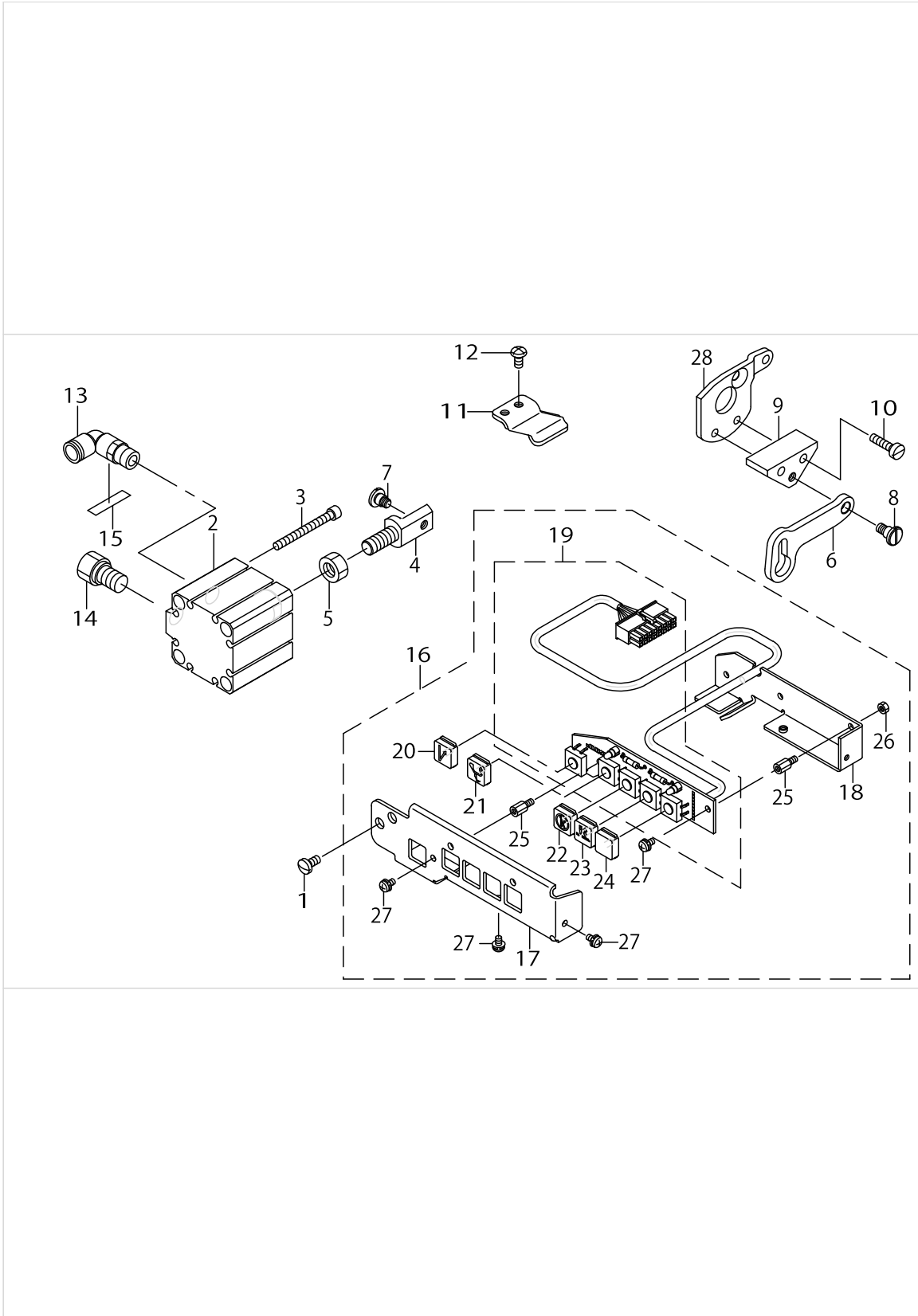
AUTOMATIC PRESSER LIFTING MECHANISM (OPTION) COMPONENTS



AUTOMATIC PRESSER LIFTING MECHANISM (OPTION) COMPONENTS

No.	Supply Code	Parts No.	Replacement	Parts name	Remarks	Choice	Step	Level	Cons	Qty	Rep. QTY
1		PA400150100		AIR CYLINDER						1	
2		SM6082002TP		SCREW M8 L=20						4	
3		21356506		CYLINDER CONNECTING SCREW						1	
4		NM6080001SE		NUT M8						1	
5		SD0720331SP		HINGE SCREW D=7.24 H=3.3						1	
6		21388509		PRESSER LIFTER LEVER A						1	
7		21356803		LEVER B						1	
8		SM6051002TP		SCREW M5X0.8 L=10						2	
9		21356704		SHAFT						1	
10		PJ304065101		ELBOW UNION 6XPT1/8						2	
11		21356308		CYLINDER STAY(FRONT)						1	
12		21356407		CYLINDER STAY(REAR)						1	
13	R	SK3514000SC	SK3514001SE	WOOD SCREW D=5.1 L=40						2	1.00
14		SS6151040SP		SCREW15/64-28L=10						4	
15		HX00295000A		WIRE MARK(2)						1	
16		HX00295000B		WIRE MARK(3)						1	
17		CM300200001		ATTENTION SEAL						1	
18		40025036		KNEE SWITCH ASM.						1	
19		WP0480856SP		WASHER 4.8X8.4X0.8				*		4	
20		40025035		KNEE SWITCH ASM.				*		1	
21		MAT80231T00		DRIVING BAR T002				*		1	
22		MAT80230T00		KNEE SWITCH SUPPORT BASE				*		2	
23		SS6151220SP		SCREW 15/64-28 L=11.5				*		4	
24	R	SS7111410SP	SS7111410TP	SCREW11/64-40L=14				*		2	1.00
25		SS7110710SL		SCREW 11/64-40 L=7.0				*		4	

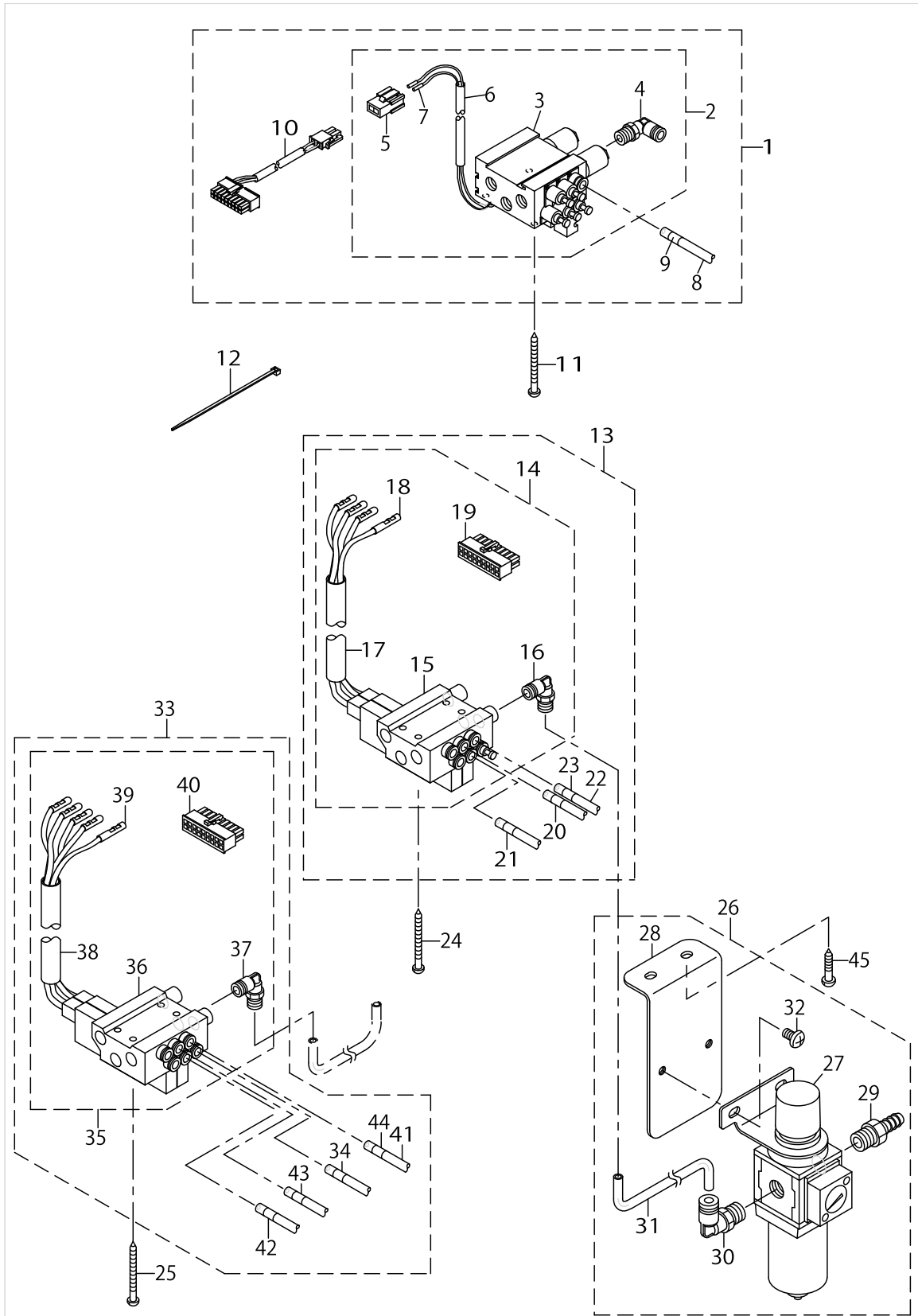
DL MECHANISM (OPTION) COMPONENTS



DL MECHANISM (OPTION) COMPONENTS

No.	Supply Code	Parts No.	Replacement	Parts name	Remarks	Choice	Step	Level	Cons	Qty	Rep. QTY
1		SS7110840SP		SCREW 11/64-40 L=7.8							2
2		PA320200100		JIG CYLINDER							1
3		SM6044002TP		SCREW							2
4		21438403		CYLYNDER CONNECTING SCREW							1
5		NM6080721SE		NUT M8							1
6		21438502		MUTUAL VERTICAL LINK							1
7		SD0600403TP		HINGE SCREW							1
8		SD0600454TP		SHOULDER SCREW							1
9		21438601		MUTUAL VERTICAL LINK SPASER							1
10		SS6111610SP		SCREW11/64-40L=16							2
11		21438700		MUTUAL VERTICAL LINK SUPPORT							1
12		SS4110815SP		SCREW 11/64-40 L=8							2
13		PJ304065101		ELBOW UNION 6XPT1/8							1
14		PX015101000		MUFFLER							1
15		HX00295000C		WIRE MARK(4)							1
16		40102062		5RANGE SWITCH ASM.							1
17		21442603		SWITCH COVER				*			1
18		21442702		SWITCH CIRCUIT FITTING BASE				*			1
19		40102061		5RANGE SWITCH SUB ASM.				*			1
20		21442900		KEY TOP A				*			1
21		21443007		KEY TOP B				*			1
22		21443106		KEY TOP C				*			1
23		21443205		KEY TOP D				*			1
24		21443809		KEY TOP F				*			1
25		HX00354000N		SPACER				*			4
26		NM6030001SC		NUT M3				*			3
27		SL4030631SC		SCREW M3X6				*			4
28		21438106		STOPPER PLATE B							1

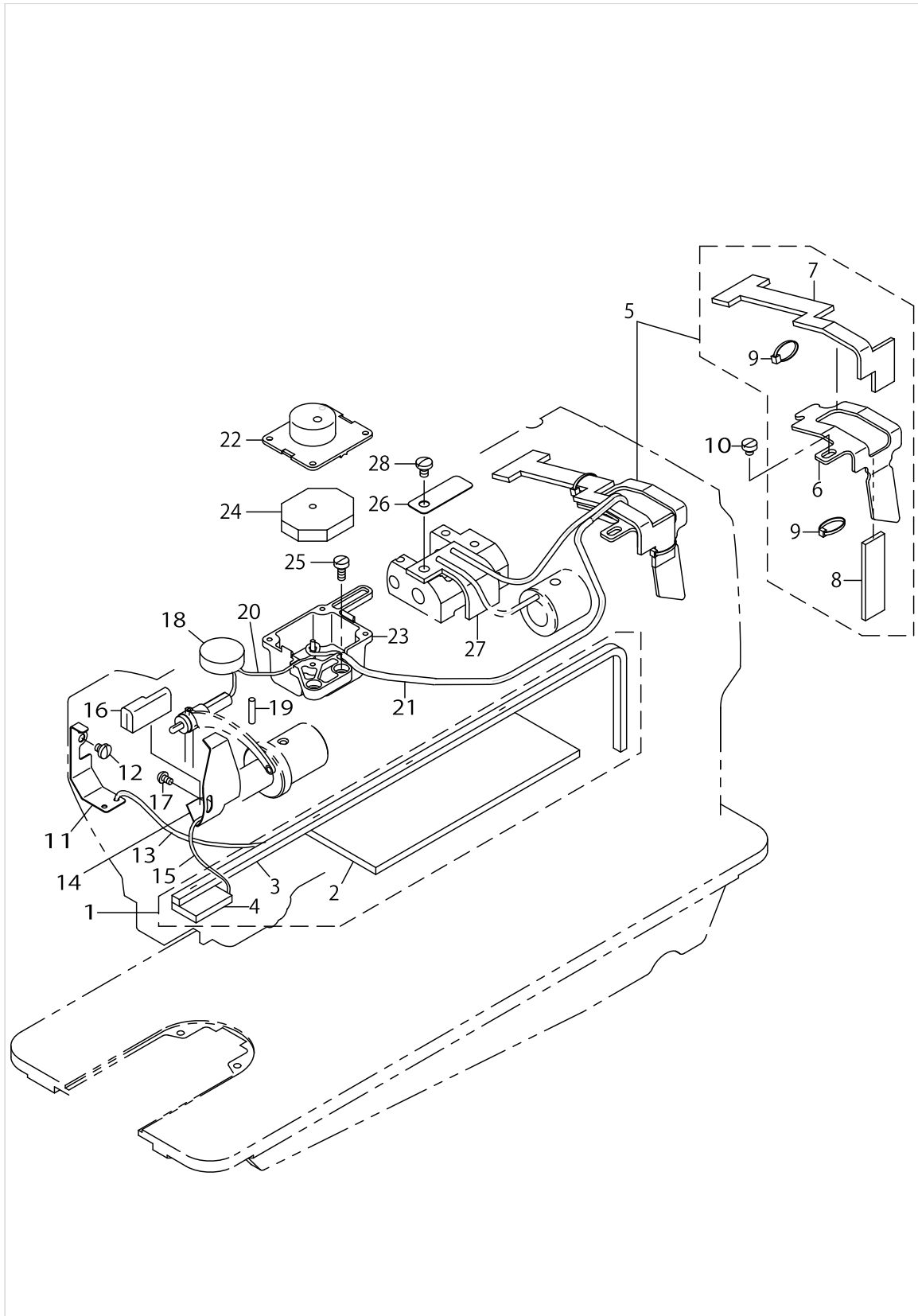
AIR MECHANISM COMPONENTS



AIR MECHANISM COMPONENTS

No.	Supply Code	Parts No.	Replacement	Parts name	Remarks	Choice	Step	Level	Cons	Qty	Rep. QTY
1		40105339		AIR APPARATUS (F) ASM.	WITH BT					1	
2		40105336		ELECTROMAGNETIC VALVE (F) ASM.				*		1	
3		40105335		ELECTROMAGNETIC VALVE (F)				*		1	
4		GAK29010000		ELBOW B				*		1	
5		HK034620020		2P PLUG				*		1	
6		GAKA1503000		INSULATION TUBE				*		0.2	
7		HK03463000A		TERMINAL				*		2	
8		BT0600401EB		TUBE				*		1.3	
9		HX002950000		WIRE MARK(1)				*		4	
10		40105333		BT CORD ASM.				*		1	
11		SK3385001SE		WOOD SCREW D=3.8 L=50	WITH BT					4	
12		EA9500B0100		CABLE BAND						3	
13		40102065		AIR APPARATUS B ASM.	WITH AK,BT					1	
14		40102063		ELECTROMAGNETIC VALVE B ASM.				*		1	
15		GAKA2302B00		SOLENOID B				*		1	
16		GAK29010000		ELBOW B				*		1	
17		GAKA1503000		INSULATION TUBE				*		1	
18		HK03464000A		TERMINAL FEMALE				*		4	
19		HK034610180		CONNECTOR				*		1	
20		HX00295000B		WIRE MARK(3)				*		4	
21		HX00295000A		WIRE MARK(2)				*		4	
22		BT0600401EB		TUBE				*		3	
23		HX002950000		WIRE MARK(1)				*		4	
24		SK3385001SE		WOOD SCREW D=3.8 L=50	WITH AK,BT					4	
25		SK3385001SE		WOOD SCREW D=3.8 L=50	WITH AK,BT,DL					4	
26		40038722		FILTER REGULATAR ASM.						1	
27		PF0552170A0		FILTER REGULATOR				*		1	
28		40038723		FILTER REGULATOR MOUNTING PLATE				*		1	
29		40107618		NIPPLE				*		1	
30		GAK29009000		ELBOW				*		1	
31		BT0600401EB		TUBE				*		1	
32		SM4061001SB		SCREW M6 L=10				*		2	
33		40102066		AIR APPARATUS C ASM.	WITH AK,BT,DL					1	
34		HX00295000C		WIRE MARK(4)				*		2	
35		40102064		ELECTROMAGNETIC VALVE C ASM.				*		1	
36	R	GAKA2302C00	GAKA2302CA0	ELECTROMAGNETIC VALVE C				*		1	1.00
37		GAK29010000		ELBOW B				*		1	
38		GAKA1503000		INSULATION TUBE				*		1	
39		HK03464000A		TERMINAL FEMALE				*		5	
40		HK034610180		CONNECTOR				*		1	
41		BT0600401EB		TUBE				*		4	
42		HX00295000B		WIRE MARK(3)				*		2	
43		HX00295000A		WIRE MARK(2)				*		2	
44		HX002950000		WIRE MARK(1)				*		2	
45		SK3482501SE		WOOD SCREW D=4.8 L=25						2	

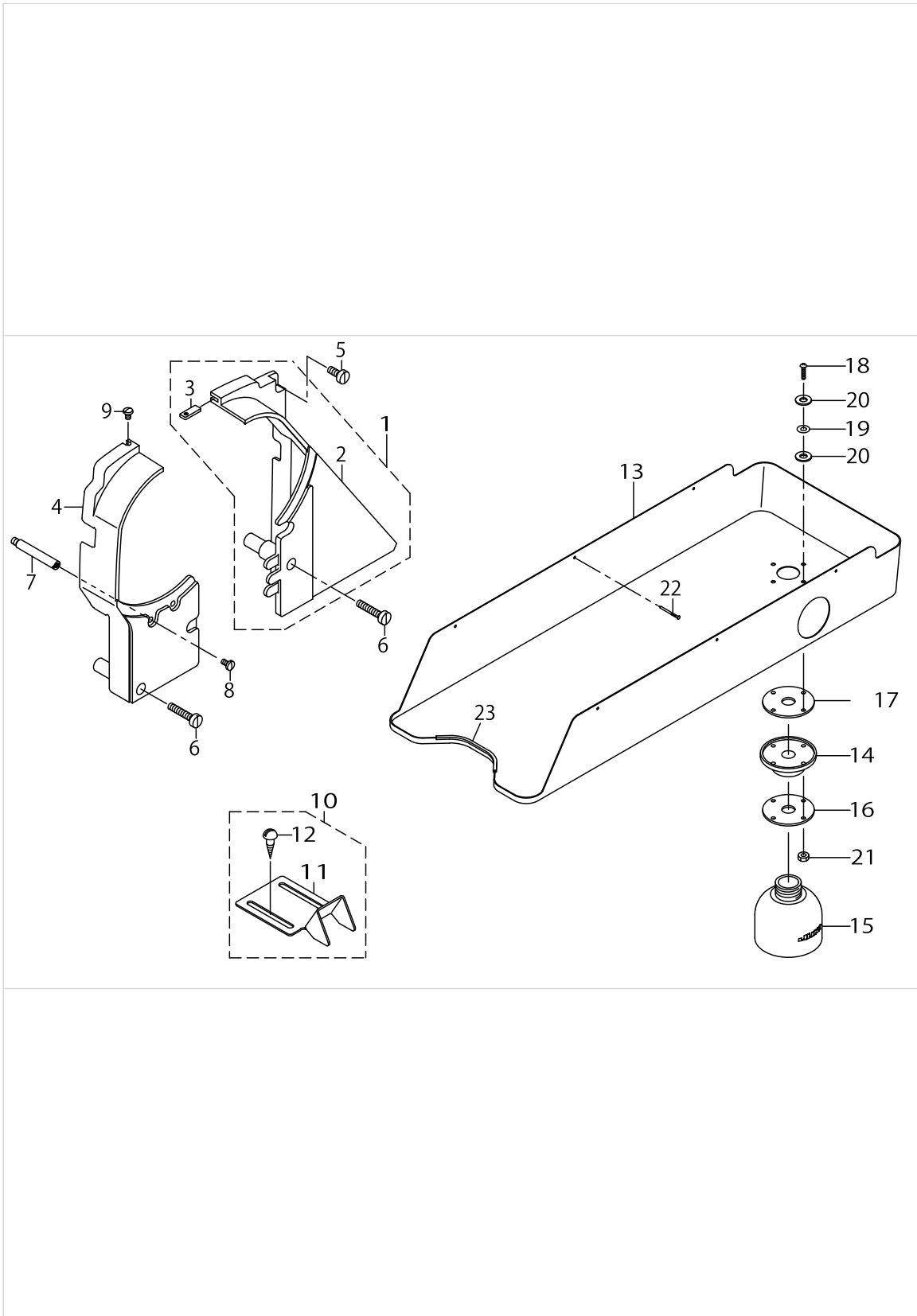
LUBRICATION COMPONENTS



LUBRICATION COMPONENTS

No.	Supply Code	Parts No.	Replacement	Parts name	Remarks	Choice	Step	Level	Cons	Qty	Rep. QTY
1		21345756		ARM ONCE THROU- GH OIL FELT ASM.						1	
2		21345707		ARM ONCE THROUGH FELT A				*		1	
3		21345806		FELT B				*		1	
4		21345905		FACE ONCE THROUGH FELT				*		1	
5		21346358		FELT SUPPORT ASM.						1	
6		21346309		FELT				*		1	
7		21346507		FEED CHANGE FELT				*		1	
8		21346408		FELT				*		1	
9		EA9500B0000		CLIP CV-70S				*		2	
10		SS6110480SP		SCREW 11/64-40 L=4.3						1	
11		21340708		UPPER FEED OIL BAR PLATE						1	
12		SS7110510SP		SCREW 11/64-40 L=5						1	
13		CQ202000000		OIL WICK						.2	
14		21347000		TAKE-UP OIL PLATE						1	
15		CQ202000000		OIL WICK						.25	
16		21347208		TAKE-UP LUBRICATION FELT						1	
17		SS3090610SP		SCREW 9/64-40 L=6						1	
18		21346002		FELT						1	
19		B1412051000		FELT						1	
20		CQ252000000		OIL WICK						.45	
21		BT0500300EA		OIL TUBE						.25	
22		21407507		OIL TANK A						1	
23		21407606		OIL TANK B						1	
24		21407705		FELT						2	
25	R	SS6111010SP	SS6111010TP	SCREW 11/64-40 L= 9.5						2	1.00
26		21346101		LUBRICATION FELT PRESSER						1	
27		21346200		MUTUAL VERTICAL CHANGE FELT						1	
28		SS7120760SP		SCREW 3/16-28 L=7.0						1	

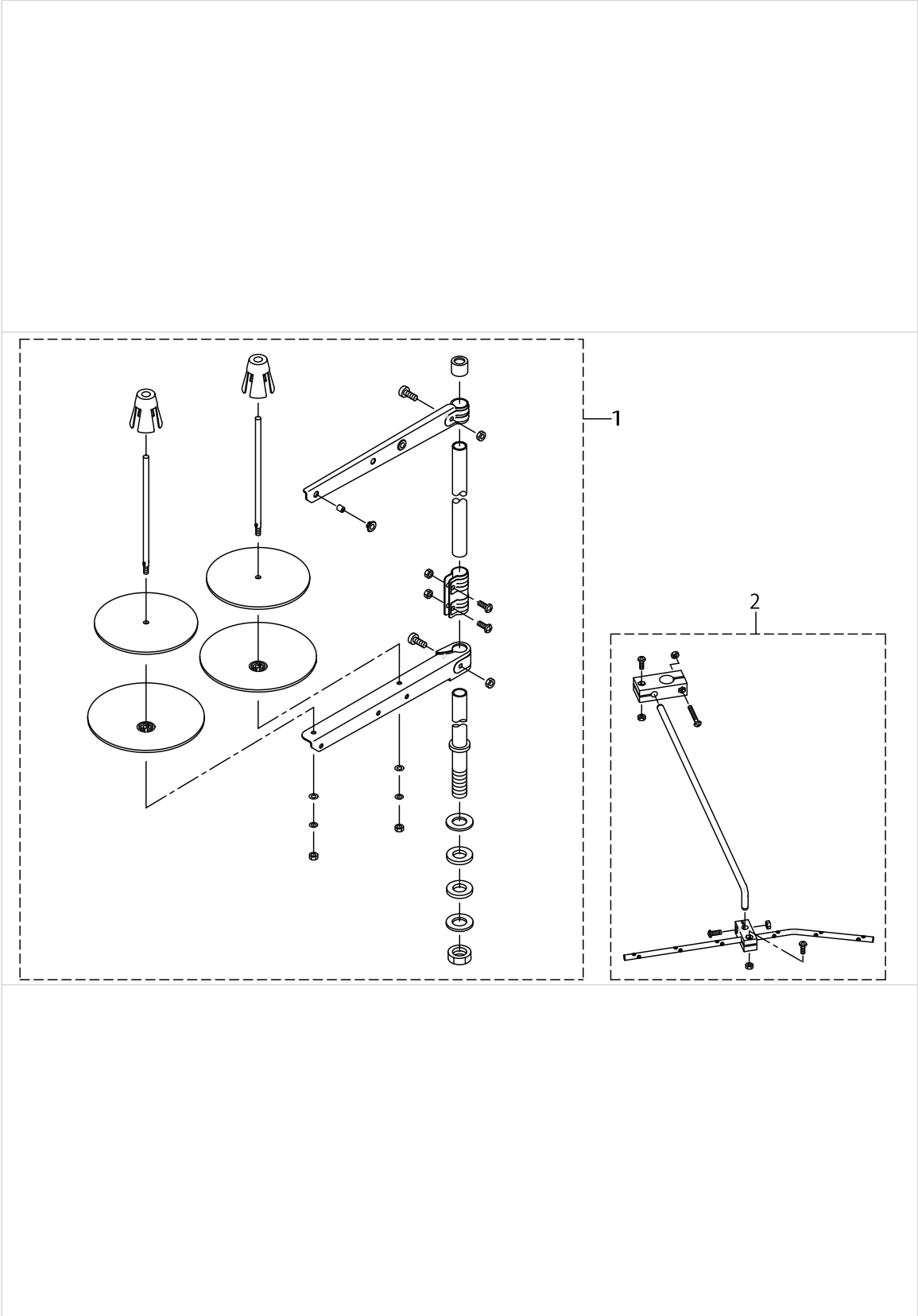
BELT COVER & OIL RESERVOIR COMPONENTS



BELT COVER & OIL RESERVOIR COMPONENTS

No.	Supply Code	Parts No.	Replacement	Parts name	Remarks	Choice	Step	Level	Cons	Qty	Rep. QTY
1		21351150		BELT COVER ASM. (RIGHT)						1	
2	R	21351101	21351150	BELT COVER (RIGHT)				*		1	1.00
3		21351002		BELT COVER AUXILIARY PLATE				*		1	
4		21351200		BELT COVER (LEFT)						1	
5		SS6151440SP		SCREW15/64-28L=14						1	
6		SS6153040SP		SCREW15/64-28L=30						2	
7		D8232241E00		BELT COVER SUPPORT A						1	
8		SS7110840SP		SCREW 11/64-40 L=7.8						1	
9		SS5110740TP		SCREW 11/64-40 L=6.5						1	
10		10755254		BELT COVER C ASM.(FOR JE)						1	
11		10755205		BELT COVER C(JE)				*		1	
12	R	SK3482500SC	SK3482501SE	WOOD SCREW D=4.8 L=25				*		2	1.00
13		21413000		OIL RESERVOIR						1	
14		40025299		OIL POT JOINT						1	
15		40025300		OIL POT						1	
16		21379003		WASHER						1	
17		B8112220000		OIL SEAL						1	
18		SM3031401SE		SCREW M3X0.5 L=14						4	
19		WP0320501SC		WASHER M3						4	
20		10748101		OIL REMOVING SET- SCREW PACKING						8	
21		NM6030001SC		NUT M3						4	
22		10539906		SET NAIL						6	
23	D	MAV02130000		EDGING						1	

THREAD STAND COMPONENTS



THREAD STAND COMPONENTS

No.	Supply Code	Parts No.	Replacement	Parts name	Remarks	Choice	Step	Level	Cons	Qty	Rep. QTY
1		40096354		THREAD STAND ASM.						1	
2		26910059		THREAD GUIDE ARM ASM.						1	

ACCESSORIES PARTS COMPONENTS



ACCESSORIES PARTS COMPONENTS

No.	Supply Code	Parts No.	Replacement	Parts name	Remarks	Choice	Step	Level	Cons	Qty	Rep. QTY
1		21413158		ACCESSORY BAG ASM.						1	
2		MTJVH00430A		V BELT 43INCH						1	
3		40101368		PANEL STUD						2	
4		D9117141E00		BOBBIN						1	
5		22933303		VINYL COVER						1	
6		MDFRX2700C0		NEW DEFRIX OIL NO.2(700CC)						1	
7		B91210120A0		OILER ASM.						1	
8		21413257		RUBBER HINGE ASM.						1	
9		M13517B1602		NEEDLE 135X17 #160-2						1	
10		B8206012000		FELT CUSHION						4	
11		B8209012000		RUBBER CUSHION						4	
12		40101742		RELAY CORD ASM.						1	
13	D	MTSP00900B0		MOTOR PULLEY ASM. P.C.D 90						1	

LIST FOR INFORMATION OF CHANGE

As to the place changed, refer to the corresponding Rev.No.
 When previous parts(Obsoleted part)and new parts(Added parts)are
 not interchangeable with each other:
 In this case,even obsoleted parts(D.)can be ordered with the
 obsoleted part number,so select the parts with changed dates and
 place your orders.

変更箇所は,該当Rev.No.版をご参照ください。
 部品の互換性がない変更の場合は,削除された品番でも,ご注文できます。

2935006
 No.1312-09・・・Rev.No.

*A:Added parts追加部品/D:Obsoleted parts削除部品/E:Erratum訂正

*	Rev. No.	Page 頁	Ref. No.	Parts No. 品番	*	Rev. No.	Page 頁	Ref. No.	Parts No. 品番
D	08	4	29	B1203-512-000	A	09	4	29	401-43083
D	08	26	-	No.2~No.24					
D	08	26	-	No.26~No.34					
D	08	27	2	229-33006					
D	08	27	3	B9113-012-000					

HOW TO MAKE USE OF THIS PARTS LIST

1.Explanation of codes

1)"*"mark.....means this part is changed from the previous parts book.

As to the details of the change, refer to the "List for information of change".

2)"#01".....refer to "Note" explanation at bottom of page.

2.Codes on the "Qty" column

- Each numeral indicates the number of parts required.
- "0.1" and "2.5" indicate the length (in meters) of the respective parts.

3.Parentheses mean that the corresponding part is a subpart that constructs an assembly part.

4.Dotted lines on the Figures indicate assembly parts.

1."注記"欄の記号説明

1) "*"印.....前回のパーツブックに比較して今回変更された部品を意味します。

変更内容は、"変更情報リスト"を参照してください。

2) "#01".....ページ下の"注記"の説明を参照してください。

2.数量欄の数字は、個数を表し、0.1、2.5等の数値は、長さ（単位メートル）を表します。

3.数量欄の（ ）は、組部品を構成している子部品であることを意味します。

4.イラストページの-----枠は、組構成であることを意味します。

NUMERICAL INDEX OF PARTS

PART NO	PAGE	REF NO.	PART NO	PAGE	REF NO.	PART NO	PAGE	REF NO.
10120004	26	17	21333000	6	2	21343355	32	15
10124204	28	13	21333109	6	17	21345707	42	2
10201200	4	48	21336300	20	51	21345756	42	1
10205201	18	16	21336508	6	20	21345806	42	3
10320109	28	3	21336557	6	19	21345905	42	4
10321107	28	24~26	21336607	18	43	21346002	42	18
10337905	14	56	21336656	18	42	21346101	42	26
10502300	34	21	21336706	20	47	21346200	42	27
10509701	12	22	21336805	18	36	21346309	42	6
10539906	44	22	21337209	18	34	21346358	42	5
10604809	6	38	21337308	18	29	21346408	42	8
10618304	34	8	21337407	18	22	21346507	42	7
10622009	24	86	21337506	18	19	21347000	42	14
10704807	34	19	21337605	18	31	21347109	12	13
10713501	14	75	21337704	18	20	21347208	42	16
10713600	14	84	21337803	16	92	21347406	10	31
10713758	14	83	21337803	18	23	21348206	28	24~26
10713808	16	94	21337902	18	27	21348503	26	6
10714202	14	70	21338207	20	48	21348602	26	4
10714608	14	85	21338306	18	25	21348701	26	8
10715100	14	60	21338405	10	5	21348909	4	60
10715308	14	66	21338504	10	9	21349105	26	31
10715704	14	62	21338603	10	16	21351002	44	3
10716504	14	76	21338801	10	19	21351101	44	2
10718203	14	69	21338900	10	18	21351150	44	1
10741106	28	14	21339007	10	29	21351200	44	4
10748101	44	20	21339056	10	28	21353008	6	22
10755205	44	11	21339106	6	9	21355706	34	24
10755254	44	10	21339304	10	25	21355755	34	23
10774305	14	58	21339502	6	15	21355904	2	6
10774354	14	57	21339601	14	71	21356001	34	6
10774404	14	59	21339700	14	35-73	21356308	36	11
11009909	18	38	21339809	14	79	21356407	36	12
13138201	28	8	21340005	14	87	21356506	36	3
13515606	26	16	21340302	14	90	21356704	36	9
14512503	34	17	21340401	12	1	21356803	36	7
17912106	2	28	21340500	12	2	21357959	34	3
21048707	14	88	21340708	42	11	21357967	34	1
21331301	2	4	21340906	12	42	21358205	34	9
21331608	2	20	21341151	14	46	21363106	30	3
21332002	4	61	21341508	14	68	21378302	12	5
21332101	2	8	21341607	14	65	21378302	18	9
21332309	2	18	21342605	32	3	21378708	34	29
21332507	6	12	21343108	32	26	21379003	44	16
21332705	6	1	21343157	32	24	21387402	20	49

NUMERICAL INDEX OF PARTS

PART NO	PAGE	REF NO.	PART NO	PAGE	REF NO.	PART NO	PAGE	REF NO.
21388004	20	56	21413158	48	1	22603112	2	24
21388400	10	14	21413257	48	8	22604300	6	26
21388509	36	6	21415005	24	65	22604904	6	24
21388608	26	26	21415104	24	66	22605406	6	4
21401302	2	42	21415203	24	68	22606206	8	69
21401401	2	43	21415302	24	57	22609408	18	8
21401500	2	44	21415401	24	48	22611602	8	58
21402102	6	3	21415500	22	41	22611651	8	57
21402201	6	31	21415609	22	44	22617906	28	9
21402250	6	30	21415708	22	26	22618201	28	7
21402300	6	27	21415807	22	35	22619100	4	49
21402409	6	41	21415906	22	25	22623201	8	62
21402508	8	51	21416003	22	37	22656102	26	12
21402607	8	55	21416102	22	28	22814909	10	27
21402706	8	53	21416201	22	30	22814909	12	11
21403506	22	1	21416300	22	23	22863203	32	18
21403704	24	76	21416409	24	59	22863252	32	17
21403803	22	3	21416508	22	40	22901805	4	59
21403902	24	7·32·64·8- 7·88	21416607	22	11	22904106	12	7
21404009	22	7·32·64·8- 7·88	21416706	24	72	22904106	18	14
21404108	24	7·32·64·8- 7·88	21417001	18	6	22904155	12	6
21404207	24	7·32·64·8- 7·88	21430400	20	64	22904155	18	13
21404306	22	7·32·64·8- 7·88	21437207	4	62	22907604	12	43
21405204	10	2	21437306	4	55	22912000	18	40
21405303	8	47	21438106	38	28	22912109	18	41
21405402	18	1	21438205	12	35·73	22921308	28	12
21405501	6	42	21438403	38	4	22921407	28	11
21405600	32	12	21438502	38	6	22932404	32	22
21405709	32	10	21438601	38	9	22932453	32	21
21405808	32	4	21438700	38	11	22933303	48	5
21405907	32	6	21441050	28	2	22934202	32	29
21406004	32	2	21441100	28	17	22934301	32	30
21406053	32	1	21441209	30	7	22934400	32	28
21406103	14	48	21441308	30	8	22934509	32	27
21406509	12	28	21441407	30	1	22934707	32	23
21406608	14	49	21442603	38	17	22945505	28	15
21407507	42	22	21442702	38	18	22945505	34	27
21407606	42	23	21442900	38	20	22945703	28	16
21407705	42	24	21443007	38	21	22945703	34	30
21407804	22	6	21443106	38	22	22951552	4	54
21410006	2	34	21443205	38	23	22952501	26	18
21413000	44	13	21443809	38	24	23006406	28	24~26
			22537658	34	2	23618101	6	46
			22538151	34	4	23618200	6	44
			22538706	34	32	23636202	34	5

NUMERICAL INDEX OF PARTS

PART NO	PAGE	REF NO.	PART NO	PAGE	REF NO.	PART NO	PAGE	REF NO.
26212308	22	39	40105333	40	10	B1906051000	6	6
26225201	12	29	40105335	40	3	B3025141H00A	18	11
26910059	46	2	40105336	40	2	B3031141H00	24	70
40016798	2	1	40105339	40	1	B3125012000	28	6
40018339	12	16	40107618	40	29	B3128520000	28	4
40018340	12	15	40107949	16	95	B3129526000	28	10
40018341	12	23	40107950	2	9	B31370510A0	28	5
40019114	2	3	40108541	20	58	B3138512000	2	32
40019908	20	61-62	40108542	14	61	B3205210000	34	10
40019911	20	61-62	40108674	2	22	B3416552000	14	77
40019926	18	32	40113092	34	28	B3428521000	32	19
40023289	26	14	40143083	6	29	B8112220000	44	17
40024852	12	33	A1111007000	2	38	B8206012000	48	10
40024855	6	37	B1103141H00	2	40	B8209012000	48	11
40025035	36	20	B1112241H00	2	37	B91210120A0	48	7
40025036	36	18	B1112241HA0	2	36	BT0500300EA	42	21
40025299	44	14	B1132521000	2	29	BT0600401EB	40	41
40025300	44	15	B1148555000	34	11	CM300200001	4	58
40027746	10	26	B1155141H00	22	5	CM300200001	36	17
40033026	12	12	B1210051000	6	10	CM301300001	4	56
40033029	12	19	B1410771000	10	21	CQ200000000	22	2
40033030	12	24	B1411053000	10	6	CQ202000000	6	18
40033031	12	40	B1412051000	10	7	CQ202000000	10	23
40033032	12	39	B1412051000	42	19	CQ202000000	18	45
40035502	8	49	B1414232000	10	22	CQ202000000	42	15
40038722	40	26	B1414555000	12	21	CQ252000000	12	38
40038723	40	28	B1418761000	18	44	CQ252000000	42	20
40039326	12	4	B1420563000	10	1	CQ303000000	6	7
40039838	2	26	B1437051000	10	24	CQ505000000	6	11
40039839	2	27	B1462053000	14	47	CS0800816SH	22	46
40056364	26	27	B14670530A0	12	25	CS080081ASH	22	45
40056365	26	23	B1467563000	10	12	CS1001012TH	22	33
40056366	26	22	B1468053000	12	26	CS1201010SH	20	52
40062388	30	5	B1470241H00	14	51	CS1201011SH	20	53
40075553	14	81	B1471241H00	14	52	D1830241EA0	22	14
40096354	46	1	B1501241H00	12	37	D1837141EA0	22	16
40101368	48	3	B1502246000	12	44	D2112555B00	2	11
40101742	48	12	B1510155000	16	93	D2415241E00A	22	20
40102061	38	19	B1525241H00	14	55	D2423241E00	22	21
40102062	38	16	B1525241HA0	14	54	D2423245E00	24	71
40102063	40	14	B152652700G	14	63	D2424241E00	24	78
40102064	40	35	B152989000CA	34	7	D2429241E00	24	81
40102065	40	13	B1604012000A	18	2	D2431141E00	24	49
40102066	40	33	B1803141H00	22	9	D2432141E00	24	50
40103925	28	1	B1834512000A	24	84	D2434141E00A	24	52

NUMERICAL INDEX OF PARTS

PART NO	PAGE	REF NO.	PART NO	PAGE	REF NO.	PART NO	PAGE	REF NO.
D2435141E00A	24	53	M13517B1602	48	9	SB120000200	8	60
D2439141E00	24	54	M40071100AA	6	33	SB32000060A	6	45·64·65
D2443241E00	24	74	M40071100AB	6	34	SB32000060B	8	45·64·65
D2444141E00	24	51	MAT80230T00	36	22	SB32000060C	8	45·64·65
D2445141E00	22	42	MAT80231T00	36	21	SD0380551SL	2	30
D2454141E00	22	18	MAV02130000	44	23	SD0470281SP	28	19
D2455141E00	22	17	MDFRX2700C0	48	6	SD0500301SP	22	24
D3162555B00	28	21	MTJVH00430A	48	2	SD0500481TP	32	7
D3162555B00	34	25	MTSP00900B0	48	13	SD0600403TP	22	38
D8232241E00	44	7	NM6030001SC	38	26	SD0600403TP	38	7
D9117141E00	22	15	NM6030001SC	44	21	SD0600454TP	38	8
D9117141E00	48	4	NM6040001SN	30	10	SD0700451TP	32	14
EA9500B0000	12	14	NM6050001SD	32	9	SD0720331SP	36	5
EA9500B0000	42	9	NM6060003SC	26	5	SD0790451SP	32	13
EA9500B0100	8	68	NM6080001SE	36	4	SD0800352SP	26	11
EA9500B0100	10	32	NM6080721SE	38	5	SD0800402TP	18	30
EA9500B0100	12	36	NM7040062SB	30	11	SD0800402TP	26	9
EA9500B0100	26	25	NS6080210SP	24	75	SD0800481SP	12	45
EA9500B0100	40	12	NS6110310SP	28	20	SD0900701TP	18	17
GAK29009000	40	30	NS6110310SP	34	26	SD1000801SH	20	50
GAK29010000	40	37	NS6110530SP	24	85	SK3385001SE	40	25
GAKA1503000	40	38	NS6150310SP	20	60	SK3482500SC	44	12
GAKA2302B00	40	15	NS6150310SP	24	62	SK3482501SE	40	45
GAKA2302C00	40	36	NS6150430SP	26	10	SK3514000SC	36	13
GTS01037000	26	24	NS6660430SP	24	56	SL4030631SC	38	27
HK034610120	26	32	NS6680320SP	18	18	SL4040881SC	12	34
HK034610180	40	40	PA320150200	26	1	SM1050801SR	14	72
HK034620020	40	5	PA320200100	38	2	SM3031401SE	44	18
HK03463000A	40	7	PA400150100	36	1	SM4061001SB	40	32
HK03464000A	26	28	PF0552170A0	40	27	SM6040800SP	34	31
HK03464000A	40	39	PJ301065104	26	20	SM6044002TP	38	3
HK03464000B	24	89	PJ304065101	36	10	SM6051002TP	36	8
HK03464000B	30	6	PJ304065101	38	13	SM6051202TP	22	36
HX00123000A	4	50	PS0600502KP	28	23	SM6051402TP	14	67
HX00123000A	6	39	PX015101000	26	21	SM6052002TP	16	91
HX00123000A	24	90	PX015101000	38	14	SM6052002TP	32	11
HX002950000	40	44	RC0560711KP	34	12	SM6061602TP	26	2
HX00295000A	36	15	RC1850001KP	22	19	SM6061802TP	18	35
HX00295000A	40	43	RE0500000K0	14	78	SM6062502TP	32	16
HX00295000B	36	16	RE0500000K0	34	13	SM6082002TP	36	2
HX00295000B	40	42	RE0500711KP	18	4	SM8050512TP	18	5
HX00295000C	38	15	RE0800000K0	14	89	SM8050602TP	14	86
HX00295000C	40	34	RE0900000K0	20	55	SM8050602TP	34	20
HX00354000N	38	25	RO092270200	18	39	SM8050612TP	18	46
M13517B1600	10	11	RO092270200	34	14	SM8052502TP	32	8

NUMERICAL INDEX OF PARTS

PART NO	PAGE	REF NO.	PART NO	PAGE	REF NO.	PART NO	PAGE	REF NO.
SM8060602TP	6	28	SS6151440SP	24	58	SS7150740SP	12	31
SM8060612TP	22	13	SS6151440SP	44	5	SS7150910TP	2	21
SM8060812TP	22	12	SS6151780SP	12	27	SS7151210SP	26	7
SM8080802TP	10	20	SS6151920SP	12	30	SS7621040SP	2	7
SM8080812TP	6	14	SS6151920SP	24	61	SS8110320SP	22	47
SM9061203SE	32	25	SS6152440SP	10	30	SS8110320SP	24	47
SS1080620SP	24	80	SS6153040SP	44	6	SS8111010TP	16	96
SS1110710SP	22	22	SS6661110SP	6	63	SS8150710SP	12	32
SS2090710TP	2	31	SS6661110SP	8	63	SS8150710TP	8	66
SS2110920TP	2	35	SS7080510TP	10	10	SS8150822TP	6	32
SS3090610SP	42	17	SS7080510TP	24	79	SS8150822TP	18	24
SS4080620TP	20	63	SS7090510SP	32	20	SS8150822TP	22	10
SS4080620TP	28	18	SS7090520TP	2	33	SS8151150TP	6	43
SS4110815SP	2	51	SS7090610SP	18	26	SS8151150TP	10	3
SS4110815SP	4	51	SS7090910SP	10	8	SS8151150TP	18	10
SS4110815SP	6	40	SS7090910TP	18	28	SS8151150TP	22	31
SS4110815SP	38	12	SS7091410SP	34	15	SS8660512TP	22	34
SS4111015SP	2	45	SS7110410SP	24	83	SS8660610TP	12	8
SS4111215SP	2	2	SS7110510SP	12	20	SS8660610TP	18	54
SS4120615SP	26	15	SS7110510SP	42	12	SS8660610TP	20	54
SS4150915SP	4	57	SS7110570SP	30	4	SS8660610TP	22	8
SS5090610SP	2	23	SS7110710SL	36	25	SS8660612TP	8	54
SS5110740TP	44	9	SS7110710SP	6	23	SS8660612TP	12	3
SS6060210SP	2	39	SS7110710SP	24	67	SS8660810TP	6	21
SS6090520SP	34	16	SS7110720SP	2	41	SS8660810TP	14	82
SS6090620TP	8	48	SS7110740TP	8	50	SS8661030SP	8	59
SS6090620TP	34	22	SS7110830SP	10	15	SS9090813TP	24	55
SS6090910TP	14	50	SS7110830SP	14	80	TA0550604R0	2	13
SS6091022TP	10	17	SS7110840SP	26	29	TA0750704R0	2	15
SS6110480SP	42	10	SS7110840SP	38	1	TA0750704R0	8	67
SS6110520TP	20	57	SS7110840SP	44	8	TA0750704R0	12	10
SS6110630TP	14	64	SS7110910SP	24	69	TA1050504R0	2	47
SS6110810TP	34	18	SS7110910TP	10	13	TA1050504R0	4	47
SS6111010SP	24	73	SS7110910TP	12	41	TA1250504R0	2	16
SS6111010SP	42	25	SS7110910TP	18	21	WP0320501SC	44	19
SS6111010TP	24	77	SS7110910TP	24	60	WP0450000SD	24	82
SS6111140SP	2	52	SS7110910TP	28	22	WP0450801SD	6	35
SS6111140SP	4	52	SS7110910TP	30	2	WP0480856SP	36	19
SS6111210SP	6	36	SS7111120TP	14	74	WP0482086SD	30	13
SS6111610SP	18	33	SS7111410SP	36	24	WP0501016SD	26	30
SS6111610SP	38	10	SS7111410TP	18	7	WP0501046SC	12	18
SS6121210TP	18	12	SS7111810SP	26	19	WP0501046SC	30	12
SS6121860SP	18	37	SS7120760SP	8	61	WP0641601SD	26	3
SS6151040SP	36	14	SS7120760SP	26	13	WP0650876SD	20	59
SS6151220SP	36	23	SS7120760SP	42	28	WT0530002KS	4	53