

MODEL : LS-1342/LS-1342-7

List No : 1314-10

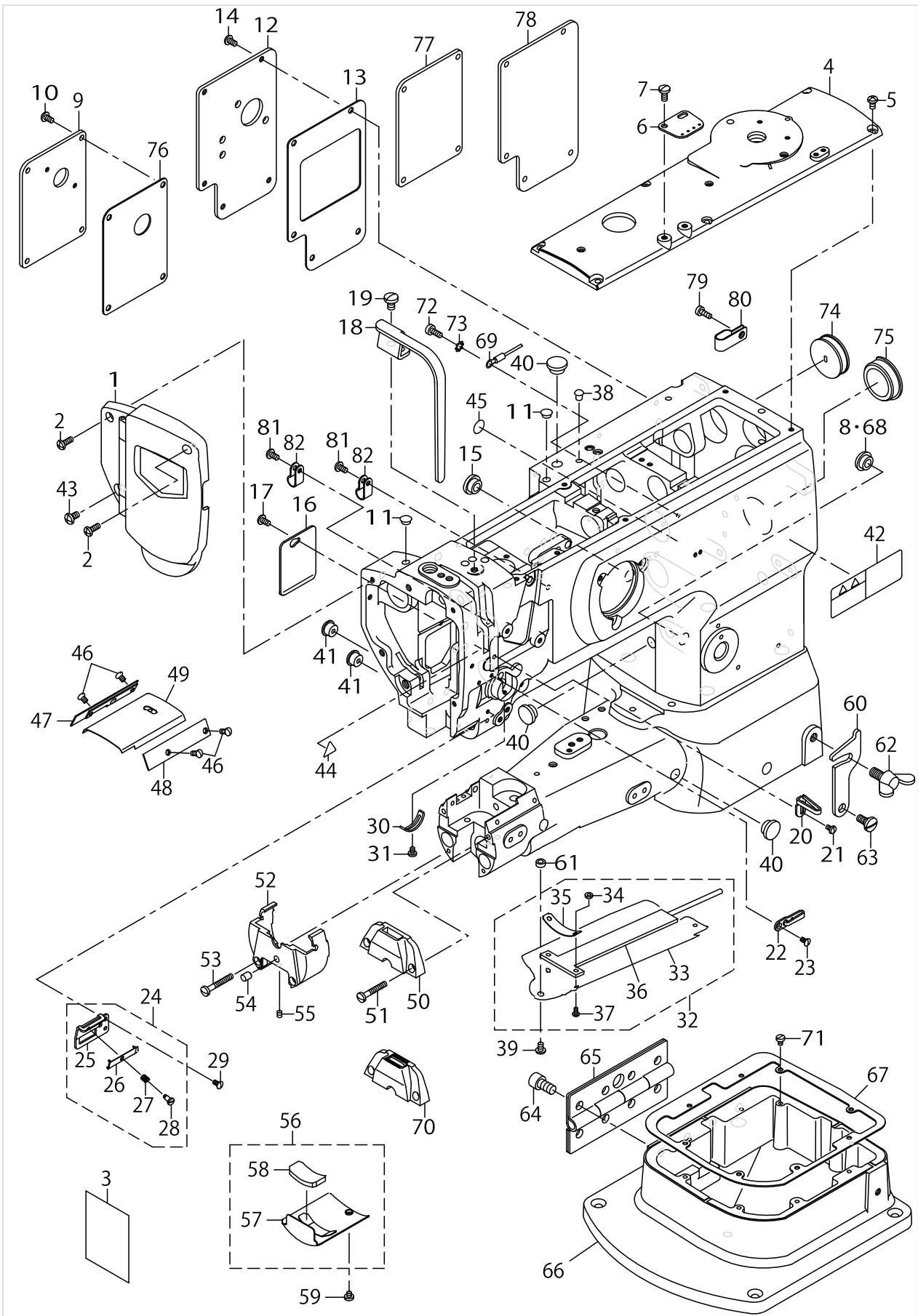
PARTS LIST

Published:05/12/2017

CONTENTS

| | |
|--|----|
| FRAME & MISCELLANEOUS COVER COMPONENTS | 1 |
| UPPER SHAFT DRIVING & BALANCE COMPONENTS | 5 |
| NEEDLE BAR ROCKING COMPONENTS | 7 |
| PRESSURE ADJUSTING & UPPER FEED MECHANISM COMPONENTS..... | 9 |
| FEED MECHANISM COMPONENTS..... | 15 |
| HOOK SHAFT & LOWER SHAFT COMPONENTS | 21 |
| THREAD TRIMMER COMPONENTS (FOR LS-1342-7) | 27 |
| AUTOMATIC BACK COMPONENTS (FOR LS-1342-7)..... | 29 |
| CONTROL DEVICE COMPONENTS (FOR LS-1342-7)..... | 31 |
| THREAD RELEASE COMPONENTS (FOR LS-1342-7)..... | 35 |
| DL DEVICE COMPONENTS (FOR LS-1342-7)..... | 37 |
| AUTOMATIC HAND LIFTER (OPTION) COMPONENTS (FOR LS-1342-7)..... | 39 |
| THREAD TENSION COMPONENTS | 41 |
| LOWER THREAD WINDER MECHANISM COMPONENTS | 43 |
| KNEE LIFTER COMPONENTS..... | 45 |
| LUBRICATION COMPONENTS | 47 |
| BELT COVER & OIL RESERVOIR COMPONENTS..... | 49 |
| THREAD STAND COMPONENTS..... | 51 |
| OPTION & GAUGE COMPONENTS..... | 53 |
| ACCESSORIES PARTS COMPONENTS | 55 |
| LIST FOR INFORMATION OF CHANGE..... | 57 |
| HOW TO MAKE USE OF THIS PARTS LIST | 58 |

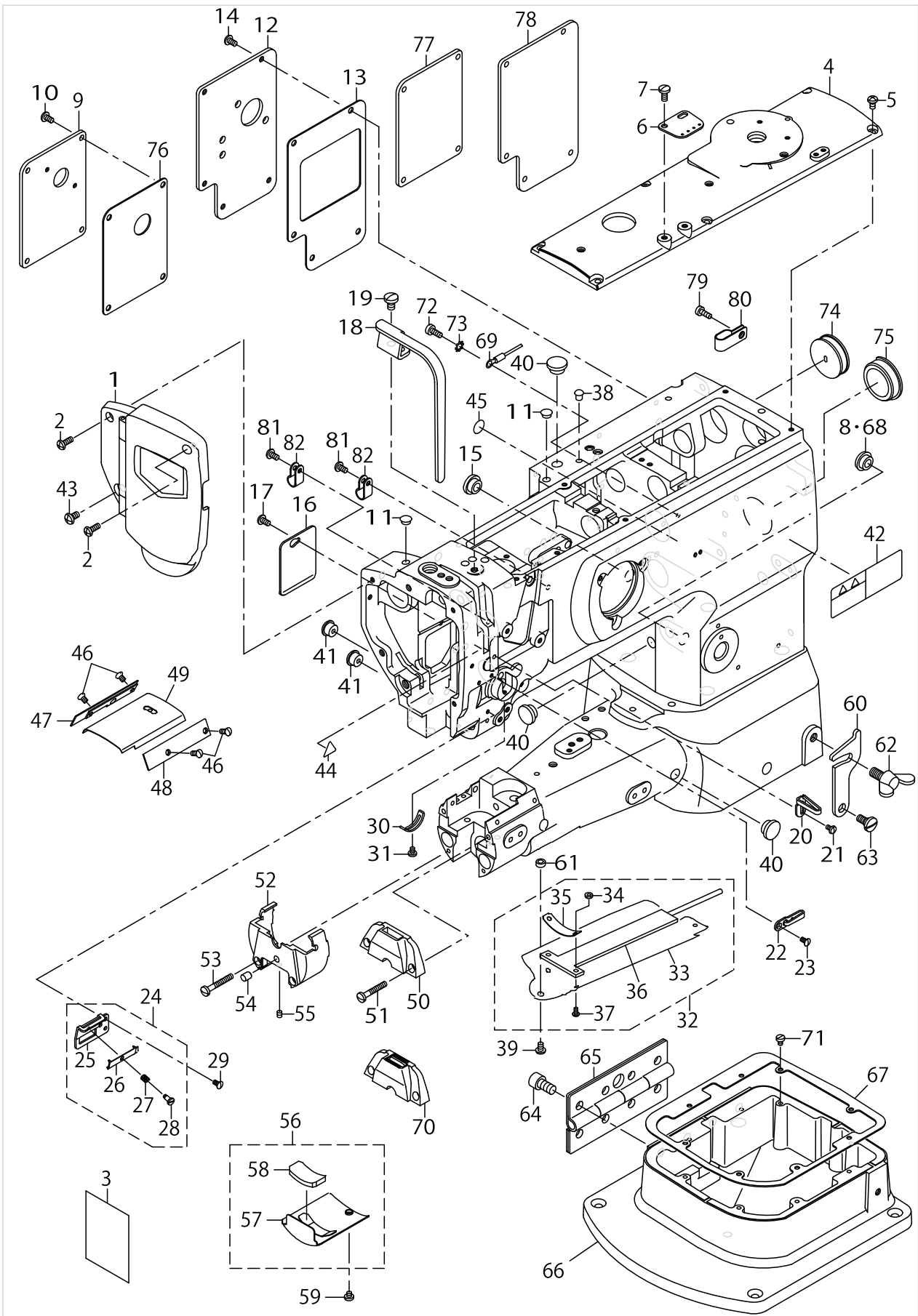
FRAME & MISCELLANEOUS COVER COMPONENTS



FRAME & MISCELLANEOUS COVER COMPONENTS

| No. | Supply Code | Parts No. | Replacement | Parts name | Remarks | Choice | Step | Level | Cons | Qty | Rep. QTY |
|-----|-------------|-------------|-------------|---------------------------------|---------------|--------|------|-------|------|-----|----------|
| 1 | | 40016798 | | FACE PLATE ASM. | | | | | | 1 | |
| 2 | | SS4111215SP | | SCREW 11/64-40 L=12 | | | | | | 2 | |
| 3 | | 40019114 | | LUBRICATION SUPPLEMENT | | | | | | 1 | |
| 4 | | 21331301 | | TOP COVER B | | | | | | 1 | |
| 5 | | SS4110815SP | | SCREW 11/64-40 L=8 | | | | | | 6 | |
| 6 | | 21355904 | | ARM THREAD GUIDE | | | | | | 1 | |
| 7 | | SS7621040SP | | SCREW 3/16-32 L=9.5 | | | | | | 2 | |
| 8 | | 10622009 | | COAD BUSH | FOR LS-1342-7 | | | | | 1 | |
| 9 | | 21437207 | | WINDOW PLATE F | FOR LS-1342-7 | | | | | 1 | |
| 10 | | SS4110815SP | | SCREW 11/64-40 L=8 | | | | | | 4 | |
| 11 | | TA0750404R0 | | PLUG D=7.5 L=3.5 | | | | | | 2 | |
| 12 | | 21348909 | | WIDOW PLATE D | FOR LS-1342-7 | | | | | 1 | |
| 13 | | 21332002 | | WINDOW PLATE PACKING B | | | | | | 1 | |
| 14 | | SS4110815SP | | SCREW 11/64-40 L=8 | | | | | | 5 | |
| 15 | | TA1250504R0 | | RUBBER PLUG | | | | | | 2 | |
| 16 | | 21332309 | | SIDE COVER | | | | | | 1 | |
| 17 | | SS4110815SP | | SCREW 11/64-40 L=8 | | | | | | 1 | |
| 18 | | 21331608 | | BALANCE COVER | | | | | | 1 | |
| 19 | | SS7150910TP | | SCREW 15/64-28 L=9 | | | | | | 1 | |
| 20 | | 40108674 | | THREAD GUIDE | | | | | | 1 | |
| 21 | | SS5090610SP | | SCREW 9/64-40 L=6 | | | | | | 1 | |
| 22 | | 22603112 | | THREAD GUIDE | | | | | | 1 | |
| 23 | | SS2090710TP | | SCREW 9/64-40 L=7.2 | | | | | | 1 | |
| 24 | | 40039838 | | THREAD GUIDE ASM. | | | | | | 1 | |
| 25 | | 40039839 | | THREAD GUIDE PLATE | | | | | * | 1 | |
| 26 | | 17912106 | | NEEDLE THREAD PRESSER PLATE | | | | | * | 1 | |
| 27 | | B1132521000 | | THREAD PRESSER PLATE SPRING | | | | | * | 1 | |
| 28 | | SD0380551SL | | HINGE SCREW D=3.80 H=5.5 | | | | | * | 1 | |
| 29 | | SS2090710TP | | SCREW 9/64-40 L=7.2 | | | | | | 1 | |
| 30 | | B3138512000 | | TAKE-UP SPRING A-DJUSTING PLATE | | | | | | 1 | |
| 31 | | SS7090520TP | | SCREW 9/64-40 L=4.5 | | | | | | 1 | |
| 32 | | 21426754 | | SYLINDER COVER ASM. | | | | | | 1 | |
| 33 | | 21426705 | | SYLINDER COVER | | | | | * | 1 | |
| 34 | | NM6030003SC | | NUT M3 | | | | | * | 2 | |
| 35 | | 21426903 | | FELT PRESSER PLATE | | | | | * | 1 | |
| 36 | | 21426853 | | SYLINDER COVER FELT ASM. | | | | | * | 1 | |
| 37 | | SM4030601SC | | SCREW M3X6 | | | | | * | 2 | |
| 38 | | TA0550604R0 | | RUBBER PLUG | | | | | | 1 | |
| 39 | | SS5110710SP | | SCREW 11/64-40 L=7 | | | | | | 1 | |
| 40 | | TA1250504R0 | | RUBBER PLUG | | | | | | 3 | |
| 41 | | TA1100604R0 | | PLUG | | | | | | 2 | |
| 42 | | CM301300001 | | SAFETY LABEL | | | | | | 1 | |
| 43 | | SS4150915SP | | SCREW 15/64-28 L=9 | | | | | | 1 | |
| 44 | | CM300200001 | | ATTENTION SEAL | | | | | | 1 | |
| 45 | | 22901805 | | GROUND MARK | | | | | | 1 | |
| 46 | | SS2090520SL | | SCREW 9/64-40 L=5 | | | | | | 4 | |

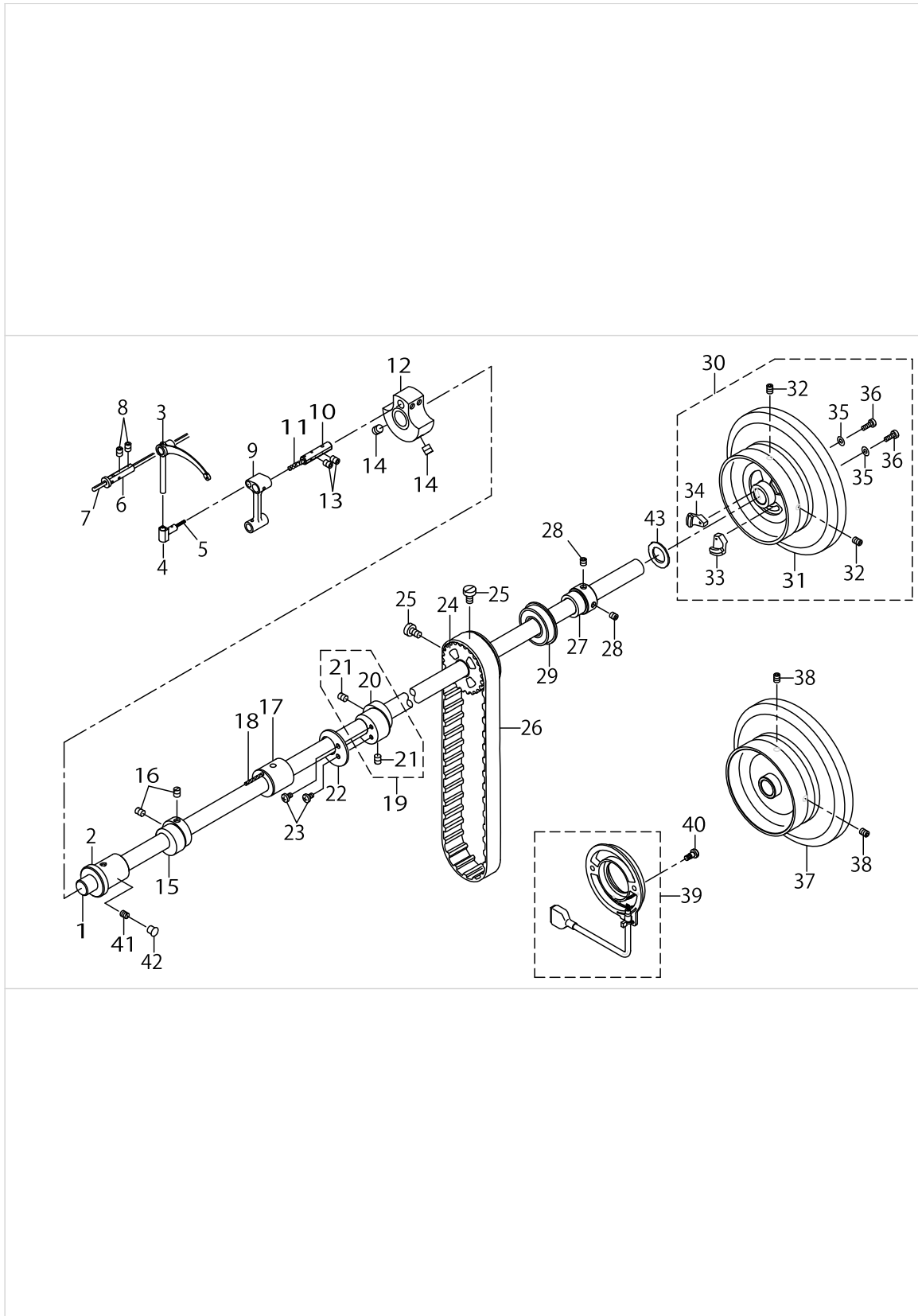
FRAME & MISCELLANEOUS COVER COMPONENTS



FRAME & MISCELLANEOUS COVER COMPONENTS

| No. | Supply Code | Parts No. | Replacement | Parts name | Remarks | Choice | Step | Level | Cons | Qty | Rep. QTY |
|-----|-------------|-------------|-------------|-------------------------------------|----------------|--------|------|-------|------|-----|----------|
| 47 | | 21426606 | | BED SLIDE SIDE PLATE LEFT | | | | | | 1 | |
| 48 | | 23100506 | | BED SLIDE SIDE PLATE RIGHT | | | | | | 1 | |
| 49 | | 21220413 | | BED PLATE | | | | | | 1 | |
| 50 | | 21437009 | | THROAT PLATE | | | | | | 1 | |
| 51 | | SS7112810SP | | SCREW11/64-40L=28 | | | | | | 2 | |
| 52 | | 40090318 | | THROATPLATEBASE | | | | | | 1 | |
| 53 | | SS7113110SP | | SCREW 1/64-40 L=30 | | | | | | 2 | |
| 54 | | 40090323 | | FEEDBASE SUPPORT | | | | | | 1 | |
| 55 | | SM8040402TP | | SCREW M4X0.7 L=4 | | | | | | 1 | |
| 56 | | 40094671 | | THROAT PLATE BA- SE COVER ASM. | | | | | | 1 | |
| 57 | | 40094670 | | THROAT PLATE BA- SE COVER COMPL. | | | | * | | 1 | |
| 58 | | 40095001 | | THROAT PLATE BA- SE COVER FELT | | | | * | | 1 | |
| 59 | | SS7110410SP | | SCREW 11/64-40 L=4 | | | | | | 1 | |
| 60 | | B1117246000 | | HOOK | | | | | | 1 | |
| 61 | | B3013141H0B | | WASHER | | | | | | 1 | |
| 62 | | B1116246000 | | WING BOLT | | | | | | 1 | |
| 63 | | SD0800352SP | | HINGE SCREW D=8 H=3.5 | | | | | | 1 | |
| 64 | | SM6081552TP | | SCREW M8 L=20 | | | | | | 8 | |
| 65 | | 21426507 | | HINGE | | | | | | 1 | |
| 66 | | 21426309 | | BED HOLDING BASE | | | | | | 1 | |
| 67 | | 21426408 | | BED HOLDING BASE PACKING | | | | | | 1 | |
| 68 | | TA1250504R0 | | RUBBER PLUG | FOR LS-1342 | | | | | 1 | |
| 69 | | 22951552 | | GROUND WIRE ASM. | FOR LS-1342-7 | | | | | 1 | |
| 70 | | 21437405 | | THROAT PLATE | OPTIONAL PARTS | | | | | 1 | |
| 71 | | SS6090520SP | | SCREW 9/64-40 L=5.0 | | | | | | 8 | |
| 72 | | SS6111140SP | | SCREW11/64-40L=11 | | | | | | 1 | |
| 73 | | WT0530002KS | | TOOTHED WASHER D=5.3 | | | | | | 1 | |
| 74 | | 10201200 | | RUBBER PLUG | | | | | | 1 | |
| 75 | | 22619100 | | CAP | | | | | | 1 | |
| 76 | | 21437306 | | WINDOW PLATE E PACKING | | | | | | 1 | |
| 77 | | 21437108 | | WINDOW PLATE E | FOR LS-1342 | | | | | 1 | |
| 78 | | 21331806 | | WINDOW PLATE B | FOR LS-1342 | | | | | 1 | |
| 79 | | SS6111140SP | | SCREW11/64-40L=11 | | | | | | 1 | |
| 80 | | D2112555B00 | | CORD HOLDER LARGE | | | | | | 1 | |
| 81 | | SS4110815SP | | SCREW 11/64-40 L=8 | FOR LS-1342-7 | | | | | 2 | |
| 82 | | HX00123000A | | CABLE CLIP | FOR LS-1342-7 | | | | | 3 | |

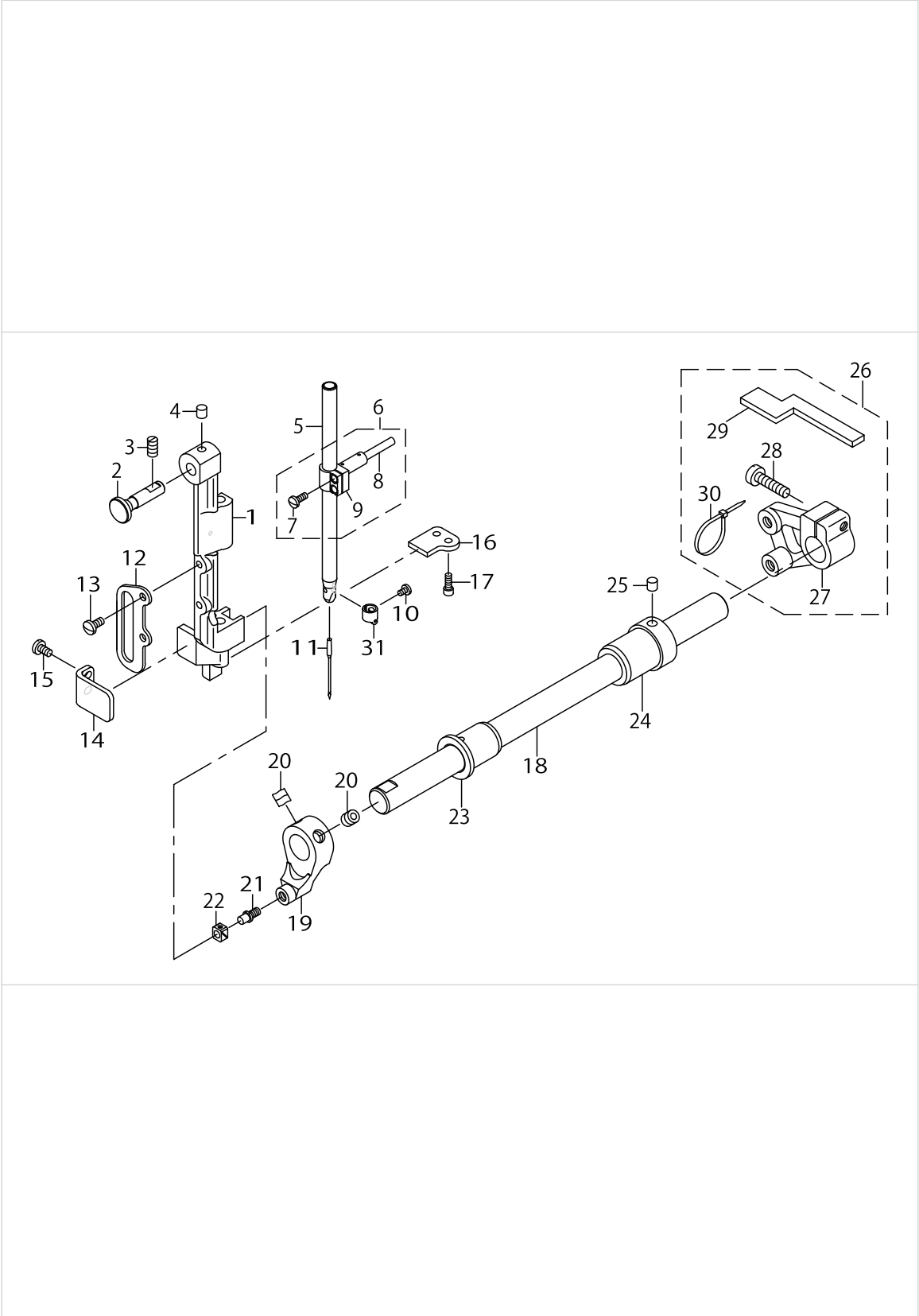
UPPER SHAFT DRIVING & BALANCE COMPONENTS



UPPER SHAFT DRIVING & BALANCE COMPONENTS

| No. | Supply Code | Parts No. | Replacement | Parts name | Remarks | Choice | Step | Level | Cons | Qty | Rep. QTY |
|-----|-------------|-------------|-------------|----------------------------|---------------|--------|------|-------|------|-----|----------|
| 1 | | 21332705 | | UPPER SHAFT | | | | | | 1 | |
| 2 | | 21333000 | | UPPER SHAFT FRONT METAL | | | | | | 1 | |
| 3 | | 21402102 | | THREAD TAKE-UP LEVER | | | | | | 1 | |
| 4 | | 22605406 | | TAKE-UP LEVER THRUST PIN | | | | | | 1 | |
| 5 | | CQ202000000 | | OIL WICK | | | | | | .03 | |
| 6 | | B1906051000 | | TAKE-UP LEVER PIN | | | | | | 1 | |
| 7 | | CQ303000000 | | OIL WICK | | | | | | .2 | |
| 8 | | SS8150822TP | | SCREW 15/64-28 L=8 | | | | | | 2 | |
| 9 | | 21339106 | | NEEDLE BAR CRANK ROD | | | | | | 1 | |
| 10 | | B1210051000 | | NEEDLE BAR CRANK PIN | | | | | | 1 | |
| 11 | | CQ505000000 | | OIL WICK | | | | | | .03 | |
| 12 | | 21332507 | | COUNTER WEIGHT (A)(36MM) | | | | | | 1 | |
| 13 | | SS8150822TP | | SCREW 15/64-28 L=8 | | | | | | 2 | |
| 14 | | SM8080812TP | | SCREW M8X8 | | | | | | 2 | |
| 15 | R | 21339502 | 21339551 | UPPERFEEDCAM(3.5) | | | | | | 1 | 1.00 |
| 16 | | SS8660810TP | | SCREW 1/4-40 L=8 | | | | | | 2 | |
| 17 | | 21333109 | | UPPER SHAFT INNER METAL | | | | | | 1 | |
| 18 | | CQ202000000 | | OIL WICK | | | | | | .25 | |
| 19 | | 21336557 | | ECCENTRIC CAM A ASM. | | | | | | 1 | |
| 20 | R | 21336508 | 21336557 | ECCENTRIC CAM A | | | | * | | 1 | 1.00 |
| 21 | | SS8660810TP | | SCREW 1/4-40 L=8 | | | | * | | 2 | |
| 22 | | 21353008 | | HORIZONTAL FEED CAM COVER | | | | | | 1 | |
| 23 | | SS7110710SP | | SCREW 11/64-40 L=7 | | | | | | 2 | |
| 24 | | 22604904 | | UPPER SPROCKET | | | | | | 1 | |
| 25 | | SS6661110SP | | SCREW 1/4-40 L=11 | | | | | | 2 | |
| 26 | | 21427109 | | TIMING BELT | | | | | | 1 | |
| 27 | | 21402300 | | UPPER SHAFT BEARING HOOK | | | | | | 1 | |
| 28 | | SM8060602TP | | SCREW M6X6 | | | | | | 2 | |
| 29 | | B1203512000 | | BUSHING REAR | | | | | | 1 | |
| 30 | | 21427059 | | FLYWHEEL ASM. | FOR LS-1342-7 | | | | | 1 | |
| 31 | R | 21427000 | 21427059 | FLYWHEEL | | | | * | | 1 | 1.00 |
| 32 | | SS8150822TP | | SCREW 15/64-28 L=8 | | | | * | | 2 | |
| 33 | | M40071100AA | | MAGNET FITTING BASE A ASM. | | | | * | | 1 | |
| 34 | | M40071100AB | | MAGNET FITTING BASE B ASM. | | | | * | | 1 | |
| 35 | | WP0450801SD | | WASHER 4.5X10X0.8 | | | | * | | 2 | |
| 36 | | SS6111210SP | | SCREW11/64-40L=12 | | | | * | | 2 | |
| 37 | | 21334008 | | FLYWHEEL | FOR LS-1342 | | | | | 1 | |
| 38 | | SS8150822TP | | SCREW 15/64-28 L=8 | FOR LS-1342 | | | | | 2 | |
| 39 | | 40024855 | | CONTAIN SYNCHRO ASM. | FOR LS-1342-7 | | | | | 1 | |
| 40 | | 10604809 | | SCREW | FOR LS-1342-7 | | | | | 2 | |
| 41 | | SS8150710TP | | SCREW 15/64-28 L=7 | | | | | | 1 | |
| 42 | | TA0750704R0 | | RUBBER PLUG | | | | | | 1 | |
| 43 | | 22606206 | | SPACER Y | FOR LS-1342-7 | | | | | 1 | |

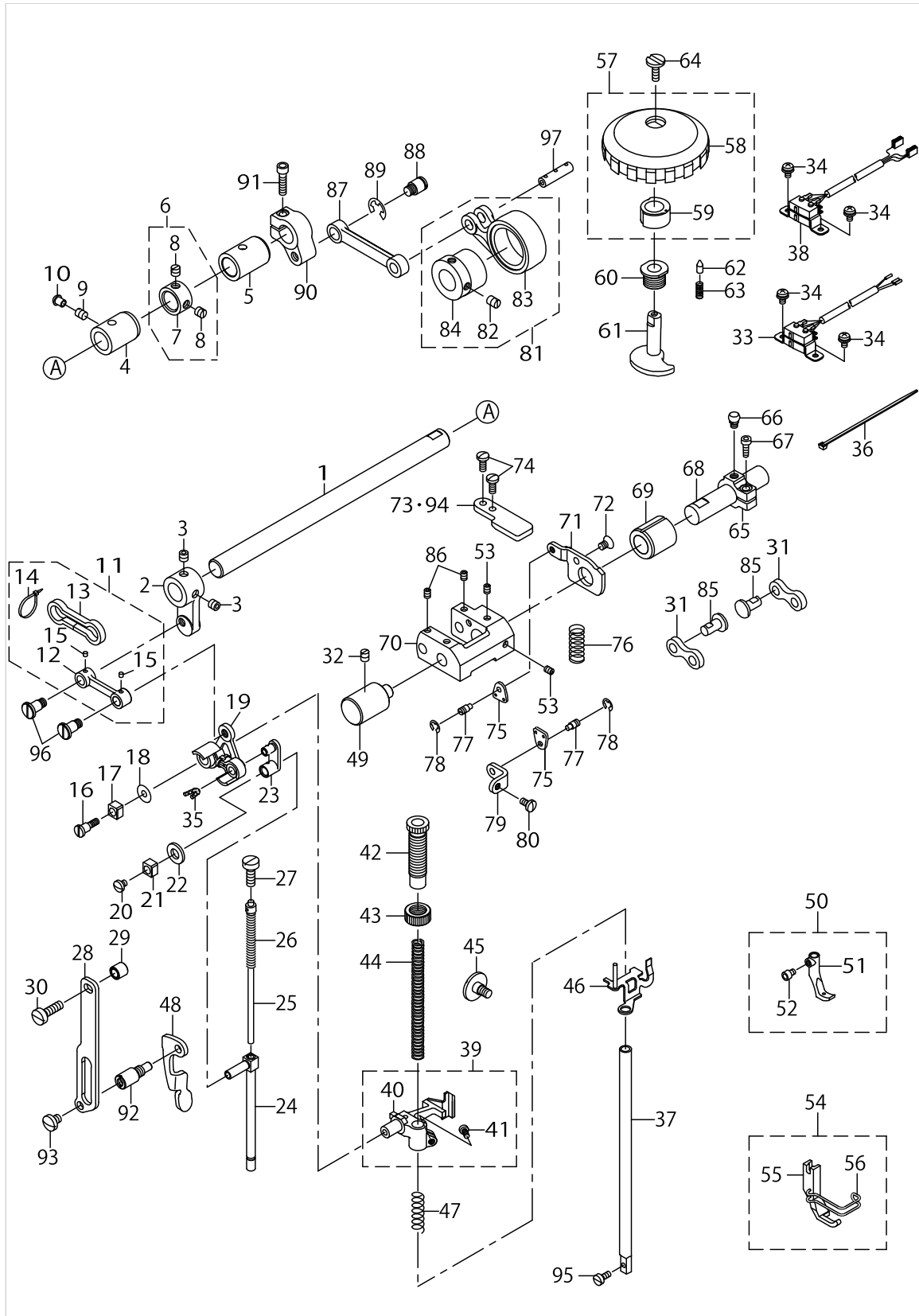
NEEDLE BAR ROCKING COMPONENTS



NEEDLE BAR ROCKING COMPONENTS

| No. | Supply Code | Parts No. | Replacement | Parts name | Remarks | Choice | Step | Level | Cons | Qty | Rep. QTY |
|-----|-------------|-------------|-------------|---------------------------|---------|--------|------|-------|------|-----|----------|
| 1 | | 23002009 | | NEEDLE BAR FRAME | | | | | | 1 | |
| 2 | | 21405204 | | HINGE STUD | | | | | | 1 | |
| 3 | | SS8151150TP | | SCREW 15/64-28 L=10.5 | | | | | | 1 | |
| 4 | | 22814909 | | FELT | | | | | | 1 | |
| 5 | | B1401246000 | | NEEDLE BAR | | | | | | 1 | |
| 6 | | B14110570A0 | | NEEDLE BAR CONNECTION | | | | | | 1 | |
| 7 | R | SS7090910SP | SS7090910TP | SCREW 9/64-40 L=8.5 | | | | * | | 1 | 1.00 |
| 8 | | B1412051000 | | FELT | | | | * | | 1 | |
| 9 | R | B1411057000 | B14110570A0 | NEEDLE BAR CONNECTION | | | | * | | 1 | 1.00 |
| 10 | | SS7080510TP | | SCREW 1/8-44 L=4.5 | | | | | | 1 | |
| 11 | | M13517B1600 | | NEEDLE 135X17 #160 | | | | | | 1 | |
| 12 | | 21438007 | | UPPER FEED BAR GUIDE | | | | | | 1 | |
| 13 | | SS7110910TP | | SCREW 11/64-40 L=8.5 | | | | | | 2 | |
| 14 | | 21338702 | | ROCKING BASE GUIDE | | | | | | 1 | |
| 15 | | SS7110830SP | | SCREW 11/64-40 L=7.5 | | | | | | 2 | |
| 16 | | 21338603 | | ROCKING BASE GUIDE (B) | | | | | | 1 | |
| 17 | | SS6091022TP | | SCREW | | | | | | 2 | |
| 18 | | 21338900 | | ROCKING SHAFT | | | | | | 1 | |
| 19 | | 21338801 | | ROCKINGFRONTARM | | | | | | 1 | |
| 20 | | SM8080802TP | | SCREW | | | | | | 2 | |
| 21 | | B1410771000 | | STUD | | | | | | 1 | |
| 22 | | B1414232000 | | SQUARE BLOCK | | | | | | 1 | |
| 23 | | 21339304 | | ROCKING SHAFT FRONT METAL | | | | | | 1 | |
| 24 | | 40027746 | | BUSHING REAR | | | | | | 1 | |
| 25 | | 22814909 | | FELT | | | | | | 1 | |
| 26 | | 21430053 | | ROCKING REAR ARM ASM. | | | | | | 1 | |
| 27 | | 21430004 | | ROCKING REAR ARM | | | | * | | 1 | |
| 28 | | SS6152440SP | | SCREW 15/64-28 L=23.5 | | | | * | | 1 | |
| 29 | | 21430103 | | ROCKING REAR ARM FELT | | | | * | | 1 | |
| 30 | | EA9500B0100 | | CABLE BAND | | | | * | | 2 | |
| 31 | | B1418552A00 | | NEEDLE THREAD GUIDE A | | | | | | 1 | |

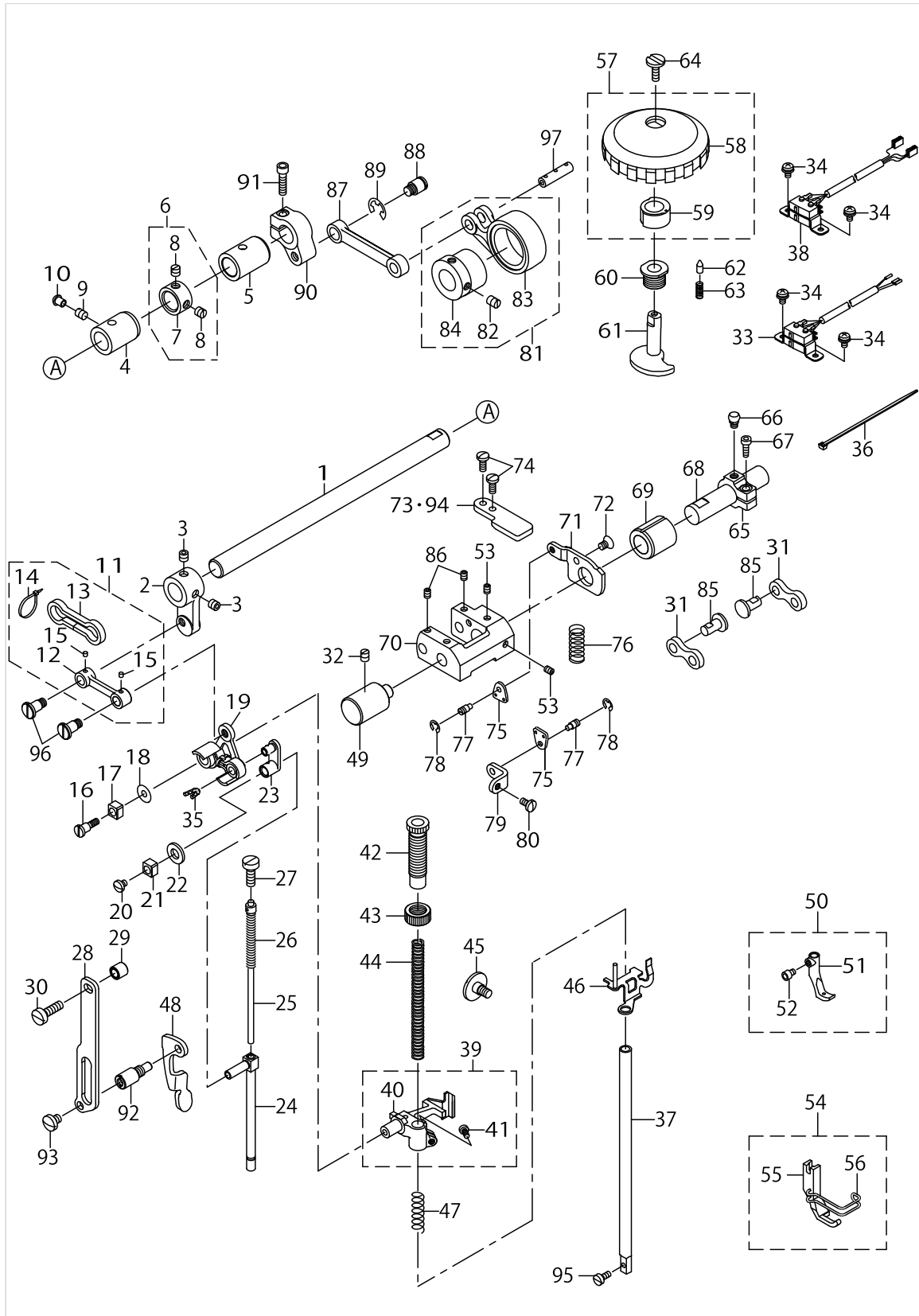
PRESSURE ADJUSTING & UPPER FEED MECHANISM COMPONENTS



PRESSURE ADJUSTING & UPPER FEED MECHANISM COMPONENTS

| No. | Supply Code | Parts No. | Replacement | Parts name | Remarks | Choice | Step | Level | Cons | Qty | Rep. QTY |
|-----|-------------|-------------|-------------|--------------------------------|---------------|--------|------|-------|------|-----|----------|
| 1 | | 21340401 | | UPPER FEED SHAFT | | | | | | 1 | |
| 2 | | 21340500 | | UPPER FEED FRONT ARM | | | | | | 1 | |
| 3 | | SS8660612TP | | SCREW 1/4-40 L=6 | | | | | | 2 | |
| 4 | | 40039326 | | FRONT METAL | | | | | | 1 | |
| 5 | | 21378302 | | FEED SHAFT METAL | | | | | | 1 | |
| 6 | | 22904155 | | MAIN SHAFT THRU-ST COLLAR ASM. | | | | | | 1 | |
| 7 | R | 22904106 | 22904155 | MAIN SHAFT THRUST COLLAR | | | | * | | 1 | 1.00 |
| 8 | | SS8660610TP | | SCREW 1/4-40 L=6 | | | | * | | 2 | |
| 9 | R | SS8150710SP | SS8150710TP | SCREW 15/64-28 L=7 | | | | | | 1 | 1.00 |
| 10 | | TA0550604R0 | | RUBBER PLUG | | | | | | 1 | |
| 11 | | 40033027 | | UPPER FEED LINK ASM. | | | | | | 1 | |
| 12 | | 40033026 | | UPPER FEED LINK | | | | * | | 1 | |
| 13 | | 21347109 | | FELT | | | | * | | 1 | |
| 14 | | EA9500B0000 | | CLIP CV-70S | | | | * | | 2 | |
| 15 | | CQ3000000F0 | | OIL FELT | | | | * | | 2 | |
| 16 | | 40018339 | | SCREW | | | | | | 1 | |
| 17 | | B1414555000 | | SLIDE BLOCK | | | | | | 1 | |
| 18 | | WP0501046SC | | WASHER 5X13X1 | | | | | | 1 | |
| 19 | | 40033029 | | TRIANGULAR LEVER ASM. | | | | | | 1 | |
| 20 | | SS7110510SP | | SCREW 11/64-40 L=5 | | | | | | 1 | |
| 21 | | B1414555000 | | SLIDE BLOCK | | | | | | 1 | |
| 22 | | 10509701 | | FELT | | | | | | 1 | |
| 23 | | 40018341 | | WALKING BAR DRIVING LINK | | | | | | 1 | |
| 24 | | 40033033 | | WALKING BAR B | | | | | | 1 | |
| 25 | | B14670530A0 | | WALKING BAR ASM. | | | | | | 1 | |
| 26 | | B1468053000 | | WALKING BAR SPRING | | | | | | 1 | |
| 27 | | SS6151780SP | | SCREW 15/64-28 L=17.0 | | | | | | 1 | |
| 28 | | 21406509 | | UPPER FEED GUIDE PLATE | | | | | | 1 | |
| 29 | | 26225201 | | ROLLER | | | | | | 1 | |
| 30 | | SS6151920SP | | SCREW 15/64-28 L=19.0 | | | | | | 1 | |
| 31 | | 40107949 | | CONNECTION LINK B | | | | | | 2 | |
| 32 | R | SS8150710SP | SS8150710TP | SCREW 15/64-28 L=7 | | | | | | 1 | 1.00 |
| 33 | | 40024852 | | VERTICAL DETECTOR SWITCH ASM. | FOR LS-1342-7 | | | | | 1 | |
| 34 | | SL4040881SC | | SCREW M4 L=8 | | | | | | 2 | |
| 35 | | CQ252000000 | | OIL WICK | | | | | | .02 | |
| 36 | | EA9500B0100 | | CABLE BAND | | | | | | 1 | |
| 37 | | B1501141H00 | | PRESSER BAR | | | | | | 1 | |
| 38 | | 40049415 | | VERTICAL DETECTOR SWITCH ASM. | FOR LS-1342 | | | | | 1 | |
| 39 | | 40033032 | | PRESSER BAR HOLDER A ASM. | | | | | | 1 | |
| 40 | | 40033031 | | PRESSER BAR HOLDER A | | | | * | | 1 | |
| 41 | | SS7110910TP | | SCREW 11/64-40 L=8.5 | | | | * | | 1 | |
| 42 | | 21340906 | | PRESSER ADJUSTING SCREW | | | | | | 1 | |
| 43 | R | 22907604 | 22907554 | PRESSER SPRING REGULATOR NUT | | | | | | 1 | 1.00 |
| 44 | | B1502246000 | | PRESSER SPRING | | | | | | 1 | |
| 45 | | SD0800481SP | | HINGE SCREW D=8 H=4.9 | | | | | | 1 | |

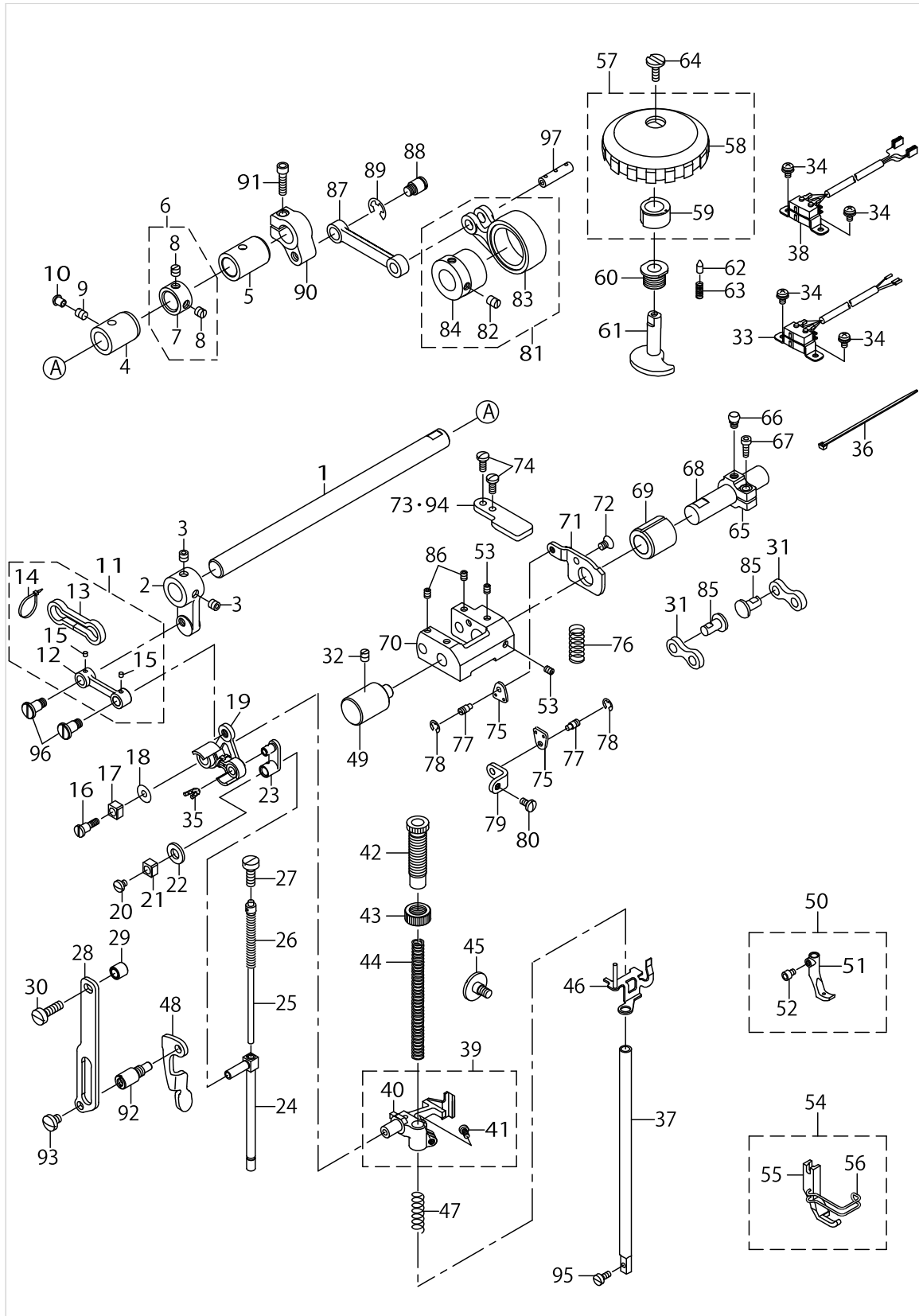
PRESSURE ADJUSTING & UPPER FEED MECHANISM COMPONENTS



PRESSURE ADJUSTING & UPPER FEED MECHANISM COMPONENTS

| No. | Supply Code | Parts No. | Replacement | Parts name | Remarks | Choice | Step | Level | Cons | Qty | Rep. QTY |
|-----|-------------|-------------|-------------|-------------------------------|---------------|--------|------|-------|------|-----|----------|
| 46 | | 21341151 | | THREAD RELEASE HOLDING PLATE | | | | | | 1 | |
| 47 | | B1462053000 | | THREAD RELEASE SPRING | | | | | | 1 | |
| 48 | | 21406103 | | PRESSER LIFTER LEVER | | | | | | 1 | |
| 49 | | 21337803 | | FEED ADJUSTING BASE SUPPORT | | | | | | 1 | |
| 50 | | 21444559 | | PRESSER INNER FOOT ASM. | | | | | | 1 | |
| 51 | R | 21444500 | 21444559 | PRESSER INNER FOOT | | | | * | | 1 | 1.00 |
| 52 | | SM6040552TP | | SCREW M4 L=4.5 | | | | * | | 1 | |
| 53 | | SM8050602TP | | SCREW M5 L=6 | | | | | | 2 | |
| 54 | | 21444658 | | PRESSER FOOT ASM. | | | | | | 1 | |
| 55 | R | 21444609 | 21444658 | PRESSER FOOT | | | | * | | 1 | 1.00 |
| 56 | | 21444708 | | FINGER GUARD | | | | * | | 1 | |
| 57 | | 10774354 | | UPPER AND LOWER DIAL ASM. | | | | | | 1 | |
| 58 | R | 10774305 | 10774354 | VERTICAL DIAL | | | | * | | 1 | 1.00 |
| 59 | | 10774404 | | VERTICAL CAM | | | | * | | 1 | |
| 60 | | 10715100 | | VERTICAL DIAL SHAFT BUSHING | | | | | | 1 | |
| 61 | | 40108542 | | VERTICAL ADJUSTING CAM | | | | | | 1 | |
| 62 | | 10715704 | | VERTICAL DIAL PIN | | | | | | 1 | |
| 63 | | B152652700G | | SPRING | | | | | | 1 | |
| 64 | | SS6110630TP | | SCREW 11/64-40 L=6 | | | | | | 1 | |
| 65 | | 21341607 | | VERTICAL ADJUSTING ARM | | | | | | 1 | |
| 66 | | 10715308 | | PIN | | | | | | 1 | |
| 67 | | SM6051402TP | | SCREW M5X0.8 L=14 | | | | | | 1 | |
| 68 | | 21341508 | | VERTICAL CHANGE BASE SHAFT | | | | | | 1 | |
| 69 | | 10718203 | | FEED SHAFT FRONT METAL | | | | | | 1 | |
| 70 | | 10714202 | | VERTICAL CHANGE BELT | | | | | | 1 | |
| 71 | | 21339601 | | UPPER FEED STOPPER PLATE (A) | FOR LS-1342 | | | | | 1 | |
| 72 | R | SM1050801SR | SM1050801SC | SCREW M5 L=8 | | | | | | 1 | 1.00 |
| 73 | | 21438205 | | UPPER FEED STOPPER PLATE | FOR LS-1342-7 | | | | | 1 | |
| 74 | | SS7111120TP | | SCREW | | | | | | 2 | |
| 75 | | 10713501 | | SPRING HOOK | | | | | | 2 | |
| 76 | | 10716504 | | VERTICAL SHAFT SPRING | | | | | | 1 | |
| 77 | | B3416552000 | | CONNECTING ROD HINGE SCREW | | | | | | 2 | |
| 78 | | RE0500000K0 | | E-RING | | | | | | 2 | |
| 79 | | 21339809 | | UPPER FEED DOG SPRING HOOK | | | | | | 1 | |
| 80 | | SS7110830SP | | SCREW 11/64-40 L=7.5 | | | | | | 1 | |
| 81 | | 40075553 | | ECCENTRIC ROD(SET) | | | | | | 1 | |
| 82 | | SS8660810TP | | SCREW 1/4-40 L=8 | | | | * | | 2 | |
| 83 | | 10713758 | | UPPER FEED CAM ROD ASM. | | | | * | | 1 | |
| 84 | | 10713600 | | UPPER FEED CUM | | | | * | | 1 | |
| 85 | R | 10714608 | 40052263 | CONNECTION LINK B SUPPORT PIN | | | | | | 2 | 1.00 |
| 86 | | SM8050602TP | | SCREW M5 L=6 | | | | | | 2 | |
| 87 | | 21340005 | | UPPER FEED LINK (B) | | | | | | 1 | |
| 88 | | 21048707 | | HINGE SCREW | | | | | | 1 | |
| 89 | | RE0800000K0 | | E-SHAPED SNAP RING (8MM) | | | | | | 1 | |
| 90 | | 21340302 | | UPPER FEED REAR ARM (B) | | | | | | 1 | |

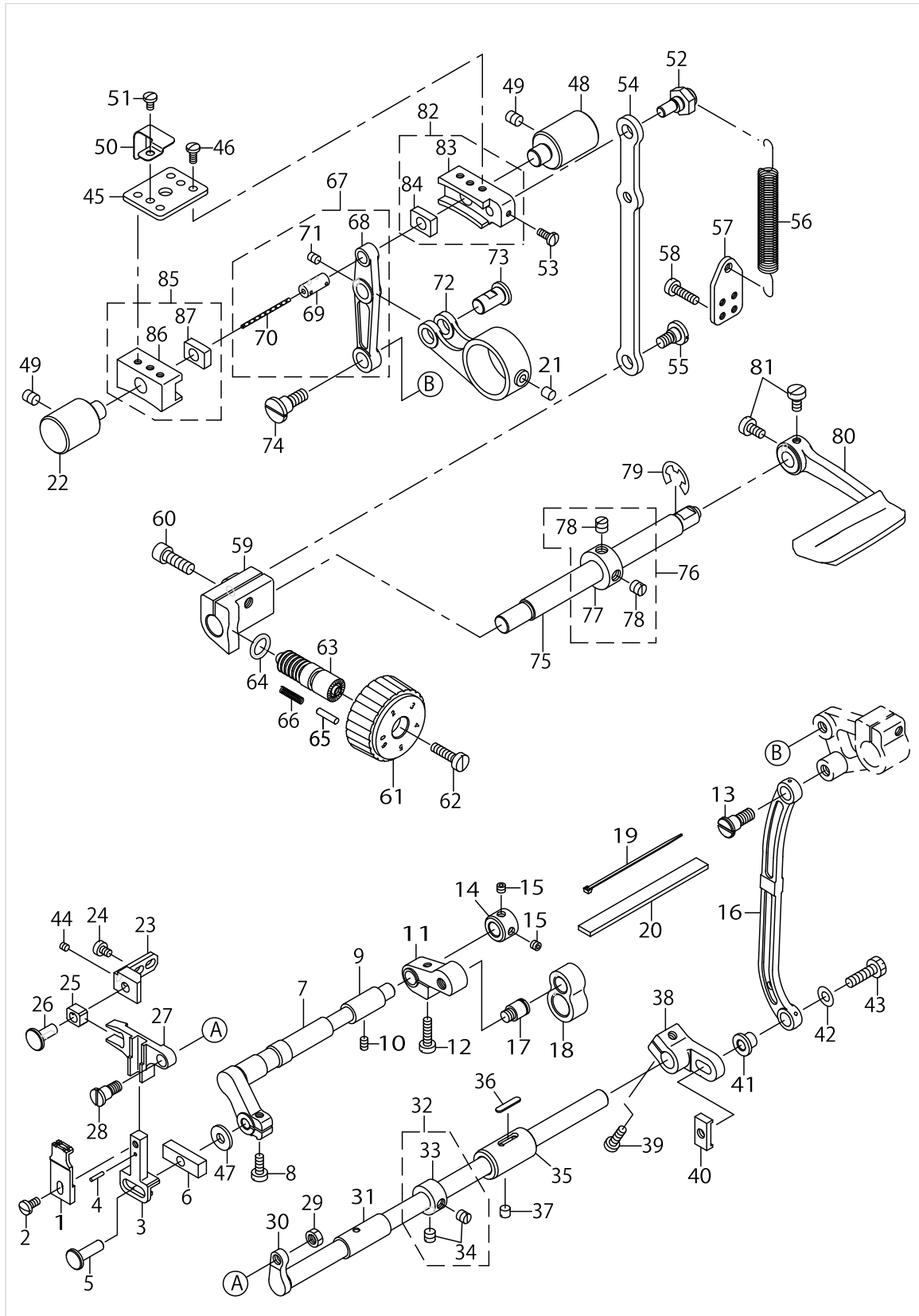
PRESSURE ADJUSTING & UPPER FEED MECHANISM COMPONENTS



PRESSURE ADJUSTING & UPPER FEED MECHANISM COMPONENTS

| No. | Supply Code | Parts No. | Replacement | Parts name | Remarks | Choice | Step | Level | Cons | Qty | Rep. QTY |
|-----|-------------|-------------|-------------|------------------------------|-------------|--------|------|-------|------|-----|----------|
| 91 | | SM6052002TP | | SCREW M5 L=20 | | | | | | 1 | |
| 92 | | 21406608 | | GUIDE PLATE SPACER | | | | | | 1 | |
| 93 | | SS7150740SP | | SCREW 15/64-28 L=7 | | | | | | 1 | |
| 94 | | 21339700 | | UPPER FEED STOPPER PLATE (B) | FOR LS-1342 | | | | | 1 | |
| 95 | | SS7091110TP | | SCREW 9/64-40 L=10.5 | | | | | | 1 | |
| 96 | | 40018340 | | SCREW | | | | | | 2 | |
| 97 | | 10713808 | | CONNECTION LINK PIN B | | | | | | 1 | |

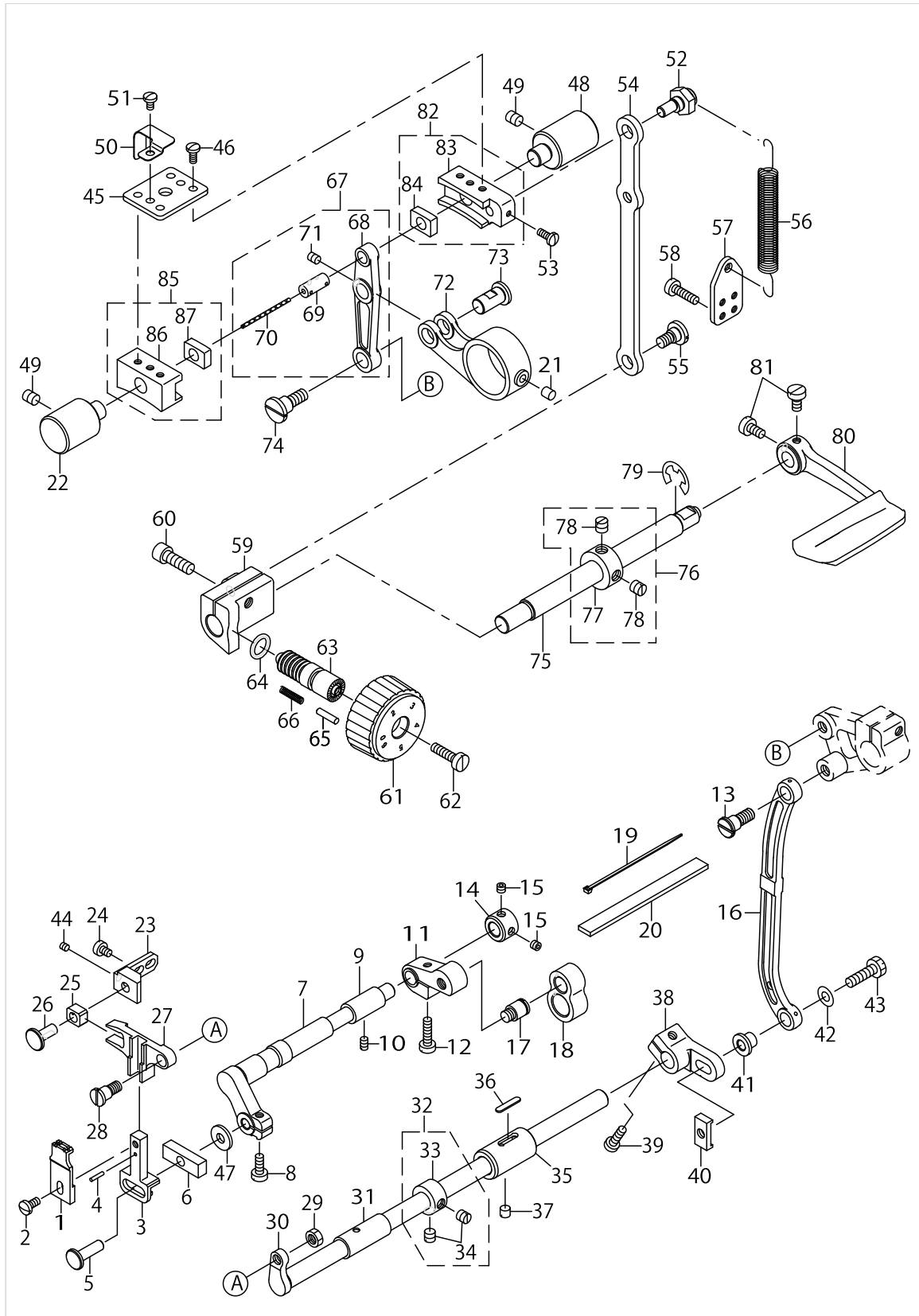
FEED MECHANISM COMPONENTS



FEED MECHANISM COMPONENTS

| No. | Supply Code | Parts No. | Replacement | Parts name | Remarks | Choice | Step | Level | Cons | Qty | Rep. QTY |
|-----|-------------|-------------|-------------|-------------------------------------|---------|--------|------|-------|------|-----|----------|
| 1 | | 21435102 | | FEED DOG | | | | | | 1 | |
| 2 | | SS7110840SP | | SCREW 11/64-40 L=7.8 | | | | | | 1 | |
| 3 | | 40091243 | | FEED BASE | | | | | | 1 | |
| 4 | | PS0200102KH | | SPRING PIN 2.0X10 | | | | | | 1 | |
| 5 | | 40091250 | | FEED BASE PIN | | | | | | 1 | |
| 6 | | 40091254 | | FEED BASE SQUARE BLOCK | | | | | | 1 | |
| 7 | | 21429006 | | VERTICAL FEED SHAFT | | | | | | 1 | |
| 8 | | SS6121220TP | | SCREW 3/16-28 L=11.5 | | | | | | 1 | |
| 9 | | 40091315 | | VERTICAL FEED SHAFT METAL | | | | | | 1 | |
| 10 | | SS8110710SP | | SCREW 11/64-40 L=6.5 | | | | | | 1 | |
| 11 | | 21429105 | | VERTICAL FEED ARM | | | | | | 1 | |
| 12 | | SS6121850TP | | SCREW 3/16-28 L=18 | | | | | | 1 | |
| 13 | | SD0900701TP | | HINGESCREWD=9H=7 | | | | | | 1 | |
| 14 | | 21429709 | | VERTICAL FEED THRUST COLLAR | | | | | | 1 | |
| 15 | | SM8050402TP | | SCREW | | | | | | 2 | |
| 16 | | 10205201 | | NEEDLE BAR FRAME ROD | | | | | | 1 | |
| 17 | | 21048707 | | HINGE SCREW | | | | | | 1 | |
| 18 | | 21429204 | | VERTICAL FEED ROD | | | | | | 1 | |
| 19 | | A407855000A | | CLIP BAND | | | | | | 1 | |
| 20 | | 21429600 | | VERTICAL FEED ROD FELT | | | | | | 1 | |
| 21 | | 21387402 | | HORIZONTAL FEED ROD OIL FELT | | | | | | 1 | |
| 22 | | 21430400 | | FEED ADJUSTER SUPPORT | | | | | | 1 | |
| 23 | | 40091248 | | HORIZONTAL FEED BASE SUPPORT | | | | | | 1 | |
| 24 | | SS6110610TP | | SCREW 11/64-40 L=6 | | | | | | 2 | |
| 25 | | 40091244 | | SQUARE BLOCK | | | | | | 1 | |
| 26 | | 40091245 | | HORIZONTAL FEED BASE SUPPORT PIN | | | | | | 1 | |
| 27 | | 40091242 | | HORIZONTAL FEED BASE | | | | | | 1 | |
| 28 | | SD0790701SP | | HINGE SCREW D=7.94 H=7 | | | | | | 1 | |
| 29 | | NS6660430SP | | NUT 1/4-40 | | | | | | 1 | |
| 30 | | 21427604 | | HORIZONTAL FEED SHAFT | | | | | | 1 | |
| 31 | | B1607246000 | | BUSHING FRONT | | | | | | 1 | |
| 32 | | CS111101CSH | | THRUST COLLAR A- SM.D=11.11 W=10 | | | | | | 1 | |
| 33 | | CS1111019SH | | THRUST COLLAR D=11.11 W=10 | | | | * | | 1 | |
| 34 | | SS8660610TP | | SCREW 1/4-40 L=6 | | | | * | | 2 | |
| 35 | | 21427703 | | HORIZONTAL FEED SHAFT D | | | | | | 1 | |
| 36 | | B1806038000 | | OIL FELT | | | | | | 1 | |
| 37 | | SS8150510TP | | SCREW 15/64-28 L=4.7 | | | | | | 1 | |
| 38 | | 21428305 | | HORIZONTAL FEED ARM | | | | | | 1 | |
| 39 | | SS6121610TP | | SCREW 3/16-28 L=15.5 | | | | | | 1 | |
| 40 | | 21428503 | | HORIZONTAL FEED ARM STOPPER | | | | | | 1 | |
| 41 | | 21428404 | | HORIZONTAL FEED ARM ROD | | | | | | 1 | |
| 42 | | WP0621016SH | | WASHER | | | | | | 1 | |
| 43 | | SS9152130CP | | SCREW 15/64-28 L=20.5 | | | | | | 1 | |
| 44 | | SS8110422TP | | SCREW 11/64-40 L=4 | | | | | | 1 | |
| 45 | | 21407408 | | FITTING PLATE | | | | | | 2 | |

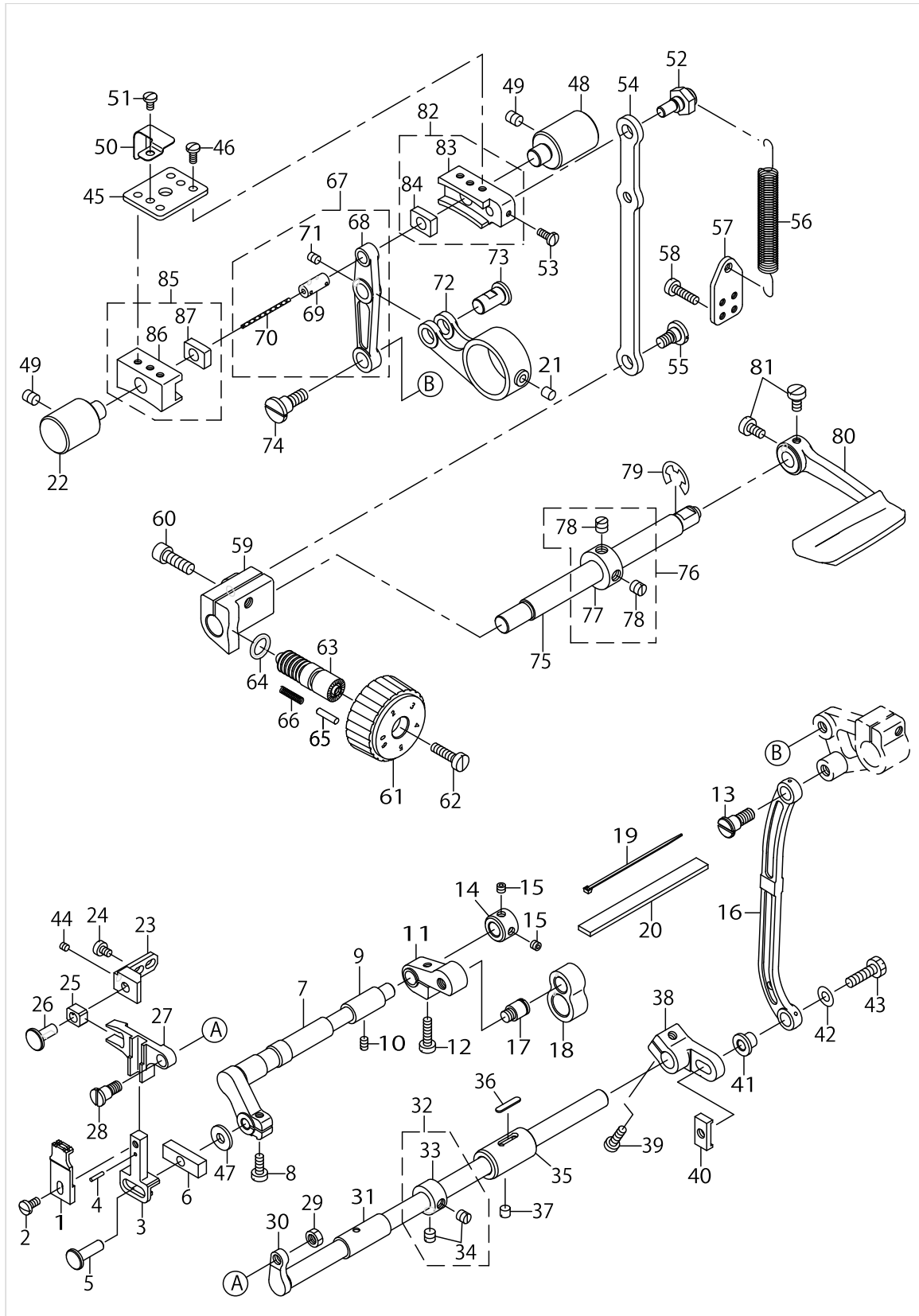
FEED MECHANISM COMPONENTS



FEED MECHANISM COMPONENTS

| No. | Supply Code | Parts No. | Replacement | Parts name | Remarks | Choice | Step | Level | Cons | Qty | Rep. QTY |
|-----|-------------|-------------|-------------|------------------------------|-------------|--------|------|-------|------|------|----------|
| 46 | | SS7110910TP | | SCREW 11/64-40 L=8.5 | | | | | | 4 | |
| 47 | | 40090727 | | WASHER | | | | | | 2 | |
| 48 | | 21337803 | | FEED ADJUSTING BASE SUPPORT | | | | | | 1 | |
| 49 | | SS8150822TP | | SCREW 15/64-28 L=8 | | | | | | 2 | |
| 50 | | 40038712 | | FELT HOLDER | | | | | | 1 | |
| 51 | | SS7110710SP | | SCREW 11/64-40 L=7 | | | | | | 2 | |
| 52 | | 21337902 | | ECCENTRIC PIN | | | | | | 1 | |
| 53 | | SS7090910TP | | SCREW 9/64-40 L=8.5 | | | | | | 2 | |
| 54 | | 21337308 | | FEED ADJUSTING ROD | | | | | | 1 | |
| 55 | | SD0800402TP | | HINGESCREW D=8H=4 | | | | | | 1 | |
| 56 | | 21337605 | | SPRING | | | | | | 1 | |
| 57 | | 40019926 | | SPRING HOOK | | | | | | 1 | |
| 58 | | SS6111610SP | | SCREW 11/64-40 L=16 | | | | | | 2 | |
| 59 | | 21430202 | | FEED ADJUSTING | | | | | | 1 | |
| 60 | | SM6061802TP | | SCREW M6 L=18 | | | | | | 1 | |
| 61 | | 21430301 | | FEED ADJUSTING DIAL | | | | | | 1 | |
| 62 | | SS6121860SP | | SCREW 3/16-28 L=18 | | | | | | 1 | |
| 63 | | 22911804 | | FEED REGULATOR SCREW | | | | | | 1 | |
| 64 | | RO092270200 | | RUBBER RING | | | | | | 1 | |
| 65 | | 22912000 | | FEED REGULATOR PIN | | | | | | 1 | |
| 66 | | 22912109 | | FEED REGULATOR PIN SPRING | | | | | | 1 | |
| 67 | | 21336656 | | FEED LINK ASM. | | | | | | 1 | |
| 68 | | 21336607 | | FEED LINK | | | | * | | 1 | |
| 69 | R | B1418761000 | 40009103 | CONNECTING FORKED LINK PIN | | | | * | | 1 | 1.00 |
| 70 | | CQ202000000 | | OIL WICK | | | | * | | 0.04 | |
| 71 | | SM8050612TP | | SCREW M5X6 | | | | * | | 1 | |
| 72 | | 21336706 | | FEED ROD A | | | | | | 1 | |
| 73 | R | 21338207 | 21378906 | FEED LINK PIN | | | | | | 1 | 1.00 |
| 74 | | SD1000801SH | | HINGE SCREW D=10 H=8 | | | | | | 1 | |
| 75 | | 21336300 | | BACKWARD FEED LEVER SHAFT | | | | | | 1 | |
| 76 | | CS1201010SH | | THRUST COLLAR ASM. D=12 W=10 | | | | | | 1 | |
| 77 | | CS1201011SH | | THRUST COLLAR D=12 W=10 | | | | * | | 1 | |
| 78 | | SS8660610TP | | SCREW 1/4-40 L=6 | | | | * | | 2 | |
| 79 | | RE0900000K0 | | E-RING 9 | | | | | | 1 | |
| 80 | | 21388004 | | REVERSE FEED ROCK SHAF | | | | | | 1 | |
| 81 | | SS6120930TP | | SCREW 3/16-28 L=9 | FOR LS-1342 | | | | | 2 | |
| 82 | | 40081970 | | FEED ADJUSTING BASE | | | | | | 1 | |
| 83 | R | 21407200 | 40081970 | FEED ADJUSTING BASE | | | | * | | 1 | 1.00 |
| 84 | R | 21407309 | 40081969 | SQUARE BLOCK | | A | | * | | 1 | 1.00 |
| 84 | R | 21407309 | 40081970 | SQUARE BLOCK | | B | | * | | 1 | 1.00 |
| 85 | | 40081969 | | FEED ADJUSTING BASE B SET | | | | | | 1 | |
| 86 | R | 40038711 | 40081969 | FEED ADJUSTING BASE B | | | | * | | 1 | 1.00 |

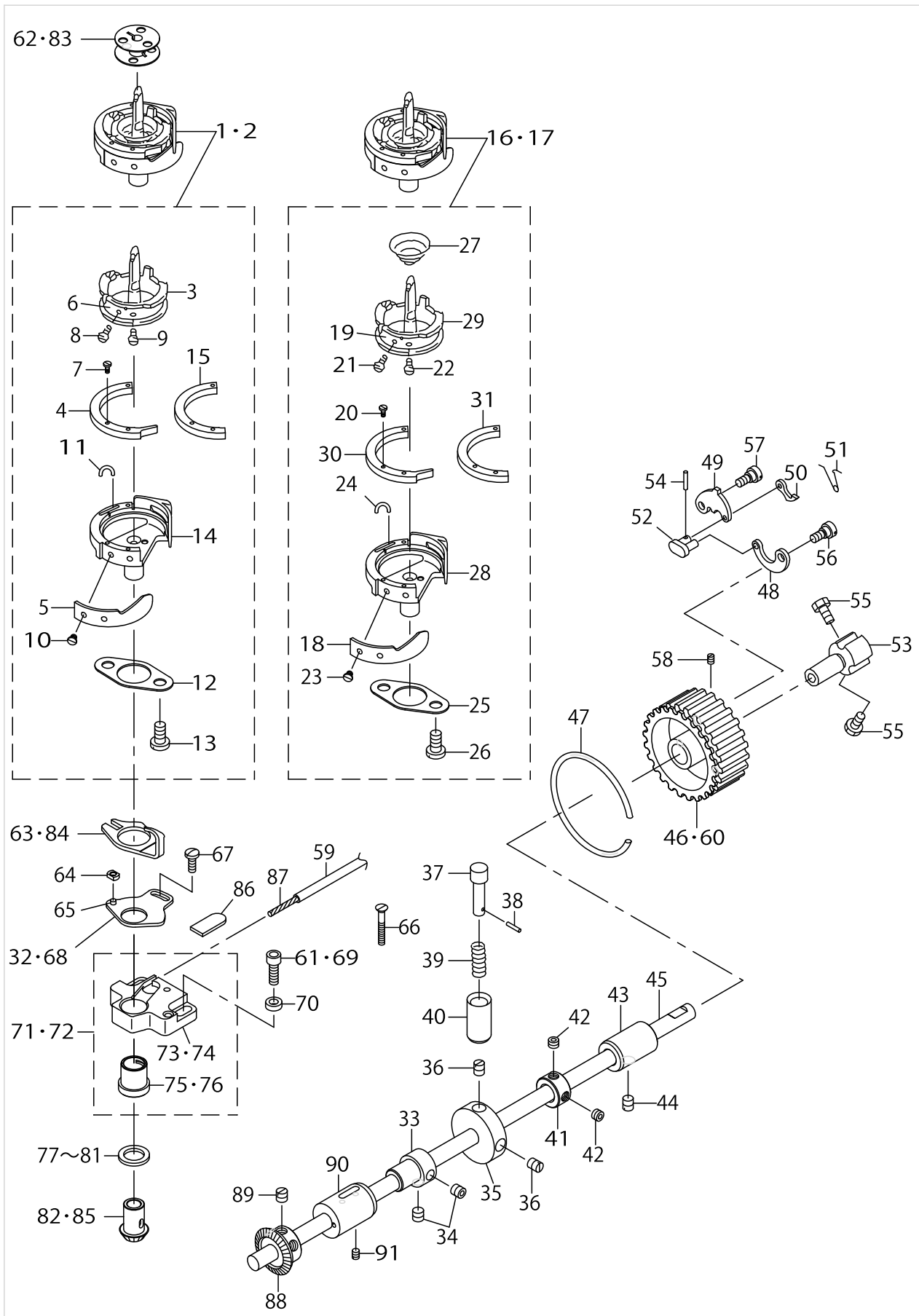
FEED MECHANISM COMPONENTS



FEED MECHANISM COMPONENTS

| No. | Supply Code | Parts No. | Replacement | Parts name | Remarks | Choice | Step | Level | Cons | Qty | Rep. QTY |
|-----|-------------|-----------|-------------|--------------|---------|--------|--|-------|------|-----|----------|
| 87 | R | 21407309 | 40081969 | SQUARE BLOCK | | A | 40038711 送り調節体- B/40038711 FEED ADJ- USTING BASE B | * | | 1 | 1.00 |
| 87 | R | 21407309 | 40081970 | SQUARE BLOCK | | B | 21407200 送り調節/2- 1407200 F- EED ADJU- STING BASE | * | | 1 | 1.00 |

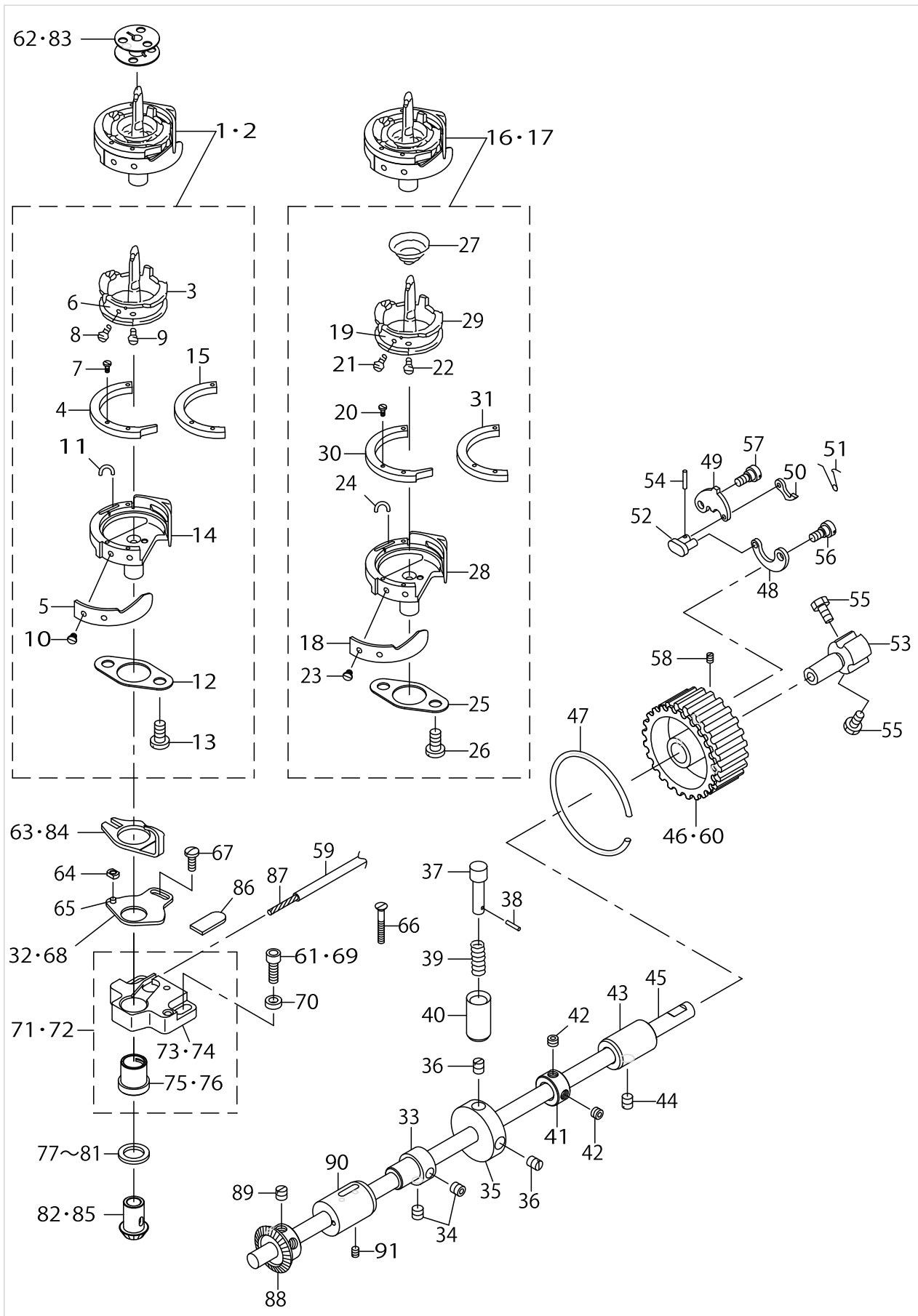
HOOK SHAFT & LOWER SHAFT COMPONENTS



HOOK SHAFT & LOWER SHAFT COMPONENTS

| No. | Supply Code | Parts No. | Replacement | Parts name | Remarks | Choice | Step | Level | Cons | Qty | Rep. QTY |
|-----|-------------|-------------|-------------|--------------------------------|--------------------------------|--------|------|-------|------|-----|----------|
| 1 | | 21431457 | | LATCH HOOK ASM. | FOR LS-1342 | | | | | 1 | |
| 2 | | 21435854 | | LATCH HOOK ASM. | FOR LS-1-342(OPTIONAL PARTS) | | | | | 1 | |
| 3 | | 21435953 | | LATCH INNER HOOK ASM. | | | | * | | 1 | |
| 4 | | 23026008 | | INNER HOOK PRESSER WITH HORN | FOR LS-1342 | | | * | | 1 | |
| 5 | | 21441803 | | NEEDLE GUARD | | | | * | | 1 | |
| 6 | | 21442207 | | TENSION SPRING | | | | * | | 1 | |
| 7 | | 10723104 | | PRESSER SETSCREW | | | | * | | 3 | |
| 8 | | 21442306 | | TENSION SCREW | | | | * | | 1 | |
| 9 | | 21442405 | | TENSION SPRING SETSCREW | | | | * | | 1 | |
| 10 | | 22814008 | | SCREW | | | | * | | 2 | |
| 11 | | 23026404 | | FELT | | | | * | | 1 | |
| 12 | | 23102403 | | NEEDLE GUARD | | | | * | | 1 | |
| 13 | | 23102809 | | NEEDLE GUARD SETSCREW | | | | * | | 2 | |
| 14 | | 21435508 | | HOOK | | | | * | | 1 | |
| 15 | | 21435706 | | INNER HOOK PRESSER | FOR LS-1-342(OPTIONAL PARTS) | | | * | | 1 | |
| 16 | | 21441753 | | THREAD TRIMMER LATCH HOOK ASM. | FOR LS-1342-7 | | | | | 1 | |
| 17 | | 21435458 | | THREAD TRIMMER LATCH HOOK ASM. | FOR LS-1-342-7(OPTIONAL PARTS) | | | | | 1 | |
| 18 | | 21441803 | | NEEDLE GUARD | | | | * | | 1 | |
| 19 | | 10722908 | | TENSION SPRING | | | | * | | 1 | |
| 20 | | 10723104 | | PRESSER SETSCREW | | | | * | | 3 | |
| 21 | | 23026800 | | ADJUSTING SCREW | | | | * | | 1 | |
| 22 | | 23026701 | | SCREW | | | | * | | 1 | |
| 23 | | 22814008 | | SCREW | | | | * | | 2 | |
| 24 | | 23026404 | | FELT | | | | * | | 1 | |
| 25 | | 23102403 | | NEEDLE GUARD | | | | * | | 1 | |
| 26 | | 23102809 | | NEEDLE GUARD SETSCREW | | | | * | | 2 | |
| 27 | | 23027402 | | IDLE PREVENTION SPRING | | | | * | | 1 | |
| 28 | | 21435508 | | HOOK | | | | * | | 1 | |
| 29 | | 21435656 | | LATCH INNER HOOK ASM. | | | | * | | 1 | |
| 30 | | 23026008 | | INNER HOOK PRESSER WITH HORN | FOR LS-1342-7 | | | * | | 1 | |
| 31 | | 21435706 | | INNER HOOK PRESSER | FOR LS-1-342-7(OPTIONAL PARTS) | | | * | | 1 | |
| 32 | | 21437702 | | ADJUSTING PLATE | FOR LS-1342-7 | | | | | 1 | |
| 33 | | 21429402 | | VERTICAL FEED CAM (0.6) | | | | | | 1 | |
| 34 | | SS8660612TP | | SCREW 1/4-40 L=6 | | | | | | 2 | |
| 35 | | B1301340000 | | SAFETY CLUTCH DISK | | | | | | 1 | |
| 36 | R | SS8150710SP | SS8150710TP | SCREW 15/64-28 L=7 | | | | | | 2 | 1.00 |
| 37 | | 21223409 | | SAFETY CLUTCH PUSH BUTTON | | | | | | 1 | |
| 38 | | PS0200102KH | | SPRING PIN 2.0 X 10 | | | | | | 1 | |
| 39 | | B1639051000 | | SPRING | | | | | | 1 | |
| 40 | | 21223508 | | PUSH BUTTON CYLINDER | | | | | | 1 | |
| 41 | | 23102700 | | LOWER SHAFT THRUST HOLDER | | | | | | 1 | |

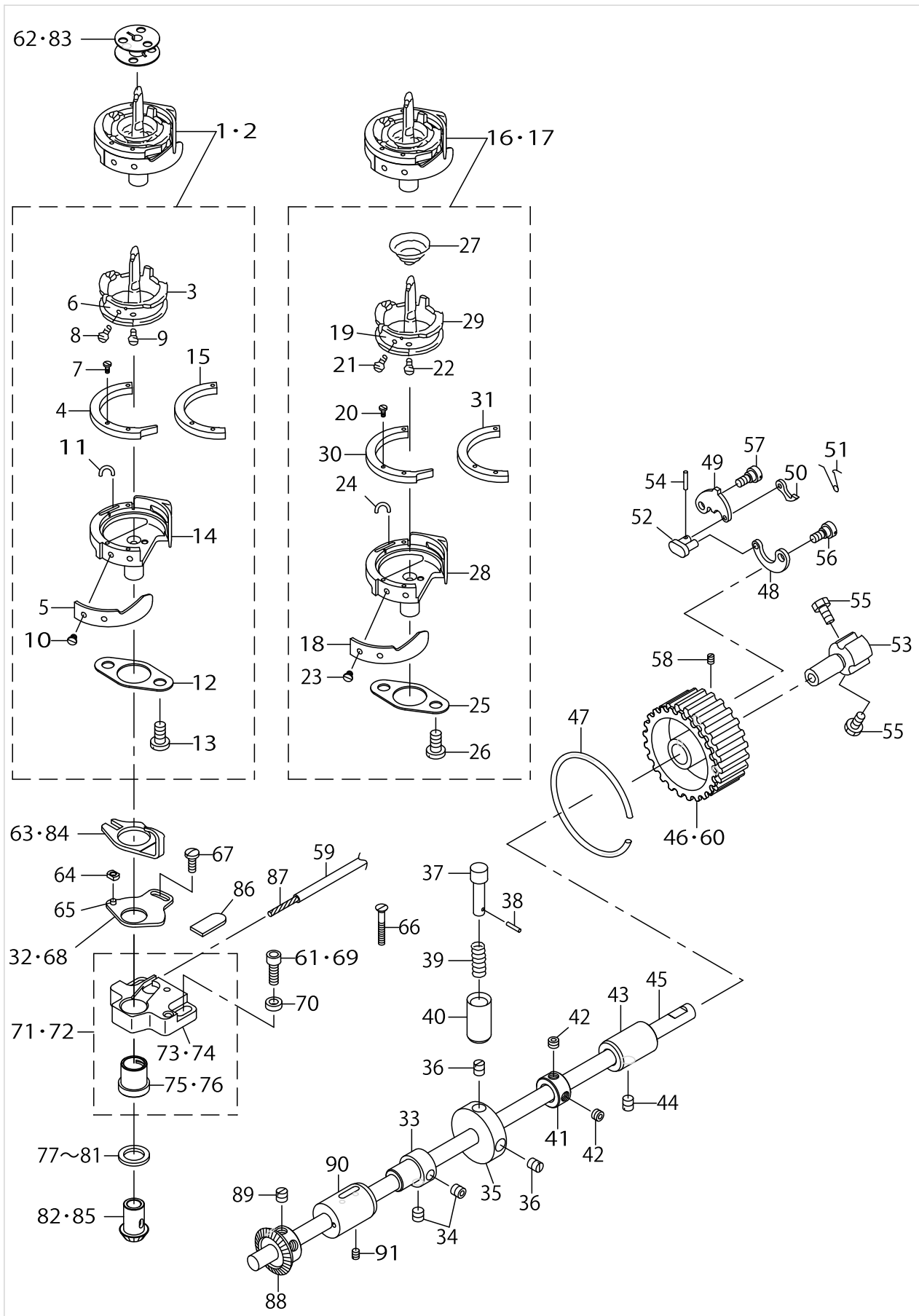
HOOK SHAFT & LOWER SHAFT COMPONENTS



HOOK SHAFT & LOWER SHAFT COMPONENTS

| No. | Supply Code | Parts No. | Replacement | Parts name | Remarks | Choice | Step | Level | Cons | Qty | Rep. QTY |
|-----|-------------|--------------|-------------|---|-----------------|--------|------|-------|------|-----|----------|
| 42 | | SS8150432TH | | SCREW 15/64-28 L=4 | | | | | | 2 | |
| 43 | | 21427307 | | LOWER SHAFT METAL REAR | | | | | | 1 | |
| 44 | | SS8150710TP | | SCREW 15/64-28 L=7 | | | | | | 1 | |
| 45 | | 21427208 | | LOWER SHAFT | | | | | | 1 | |
| 46 | | 21333505 | | LOWER SPROCKET | SELECTIVE PARTS | | | | | 1 | |
| 47 | | B1214019000 | | SPROCKET RING | | | | | | 1 | |
| 48 | | B1305055000A | | SAFETY CLUTCH SPRING | | | | | | 1 | |
| 49 | R | B1307055000 | 21387600 | SAFETY CLUTCH HOOK | | | | | | 1 | 1.00 |
| 50 | | B1308055000 | | SAFETY CLUTCH COUNTER-HOOK | | | | | | 1 | |
| 51 | | 40113224 | | COUNTER HOOK SPRING | | | | | | 1 | |
| 52 | | B1310055000 | | SAFETY CLUTCH SMALL LINK | | | | | | 1 | |
| 53 | | 10503605 | | SAFETY BASE | | | | | | 1 | |
| 54 | | B1314055000 | | SAFETY CLUTCH SMALL LINK PIN | | | | | | 1 | |
| 55 | | SS6661110SP | | SCREW 1/4-40 L=11 | | | | | | 2 | |
| 56 | | SD0640322TP | | HINGE SCREW D=6.35 H=3.2 | | | | | | 1 | |
| 57 | | SD0640322TP | | HINGE SCREW D=6.35 H=3.2 | | | | | | 1 | |
| 58 | | SS8090540SP | | SCREW 9/64-40 L=5 | | | | | | 1 | |
| 59 | | BT0500300EA | | OIL TUBE | | | | | | .05 | |
| 60 | | 21441605 | | LOWER SPROCKET | | | | | | 1 | |
| 61 | | SM6051202TP | | SCREW M5X0.8 L=12 | FOR LS-1342-7 | | | | | 2 | |
| 62 | | B9117201000 | | BOBBIN | FOR LS-1342 | | | | | 1 | |
| 63 | | 23102601 | | INNER HOOK GUIDE | FOR LS-1342 | | | | | 1 | |
| 64 | | B1827246000 | | SLIDE BLOCK | | | | | | 1 | |
| 65 | | B1826246000 | | SLIDE BLOCK PIN | | | | | | 1 | |
| 66 | | SS1092810SP | | SCREW 9/64-40 L=25.4 | | | | | | 1 | |
| 67 | | SS7091110TP | | SCREW 9/64-40 L=10.5 | | | | | | 1 | |
| 68 | | 21231204 | | ADJUSTING PLATE | FOR LS-1342 | | | | | 1 | |
| 69 | | SM6051202TP | | SCREW M5X0.8 L=12 | FOR LS-1342 | | | | | 2 | |
| 70 | | 40090530 | | WASHER | | | | | | 2 | |
| 71 | | 40029253 | | HOOK SHAFT BASE ASM. | FOR LS-1342 | | | | | 1 | |
| 72 | | 40091908 | | HOOK SHAFT BASE-(FOR THREAD TRIMMER) ASM. | FOR LS-1342-7 | | | | | 1 | |
| 73 | R | 40029250 | 40029253 | HOOK SHAFT BASE | FOR LS-1342 | | | * | | 1 | 1.00 |
| 74 | R | 40091899 | 40091908 | HOOK SHAFT BASE-(FOR THREAD TRIMMER) | FOR LS-1342-7 | | | * | | 1 | 1.00 |
| 75 | | 40029246 | | HOOK SHAFT METAL | FOR LS-1342 | | | * | | 1 | |
| 76 | | 40029248 | | HOOK SHAFT METAL | FOR LS-1342-7 | | | * | | 1 | |
| 77 | | B1820246000 | | WASHER | SELECTIVE PARTS | | | | | 1 | |
| 78 | | B182024600A | | WASHER A | SELECTIVE PARTS | | | | | 1 | |
| 79 | | B182024600B | | WASHER B | | | | | | 1 | |
| 80 | | B182024600C | | WASHER C | SELECTIVE PARTS | | | | | 1 | |
| 81 | | B182024600D | | WASHER | SELECTIVE PARTS | | | | | 1 | |
| 82 | | 21227301 | | HOOK SHAFT GEAR | FOR LS-1342 | | | | | 1 | |
| 83 | | 10759603 | | ALUMINUM BOBBIN (DOUBLE-CUT) | FOR LS-1342-7 | | | | | 1 | |
| 84 | | 23102601 | | INNER HOOK GUIDE | FOR LS-1342-7 | | | | | 1 | |
| 85 | | 23102205 | | HOOK SHAFT BEVEL GEAR | FOR LS-1342-7 | | | | | 1 | |
| 86 | | 21431200 | | HOOK SHAFT LUBRICATION FELT | | | | | | 1 | |

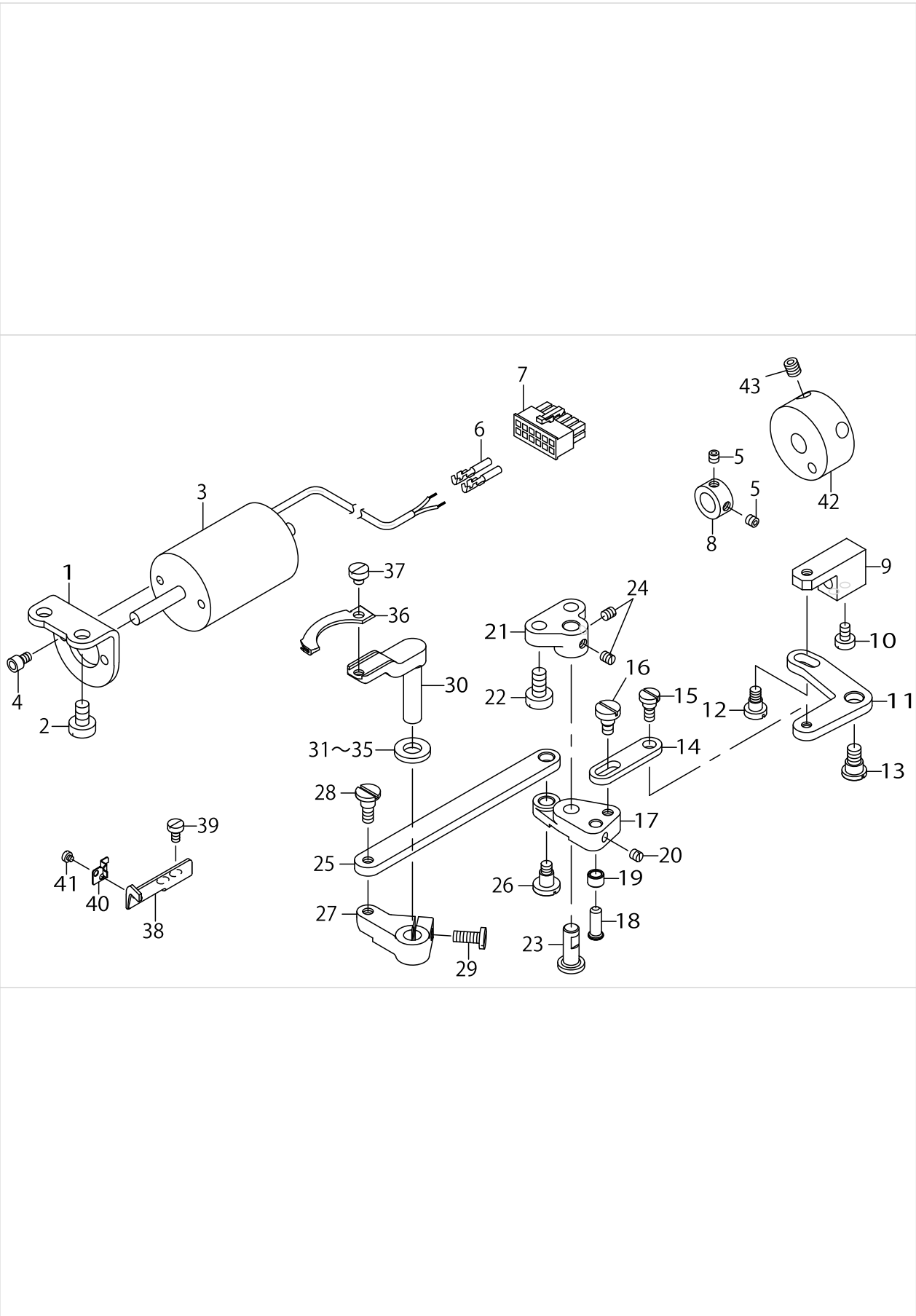
HOOK SHAFT & LOWER SHAFT COMPONENTS



HOOK SHAFT & LOWER SHAFT COMPONENTS

| No. | Supply Code | Parts No. | Replacement | Parts name | Remarks | Choice | Step | Level | Cons | Qty | Rep. QTY |
|-----|-------------|--------------|-------------|------------------------|---------|--------|------|-------|------|-----|----------|
| 87 | | CQ202000000 | | OIL WICK | | | | | | .16 | |
| 88 | | B1836246000A | | LOWER SHAFT BEVEL GEAR | | | | | | 1 | |
| 89 | | SS8660612TP | | SCREW 1/4-40 L=6 | | | | | | 3 | |
| 90 | | B1803246000 | | BUSHING INTERMEDIATE | | | | | | 1 | |
| 91 | | SS8110410TP | | SCREW 11/64-40 L= 3.5 | | | | | | 1 | |

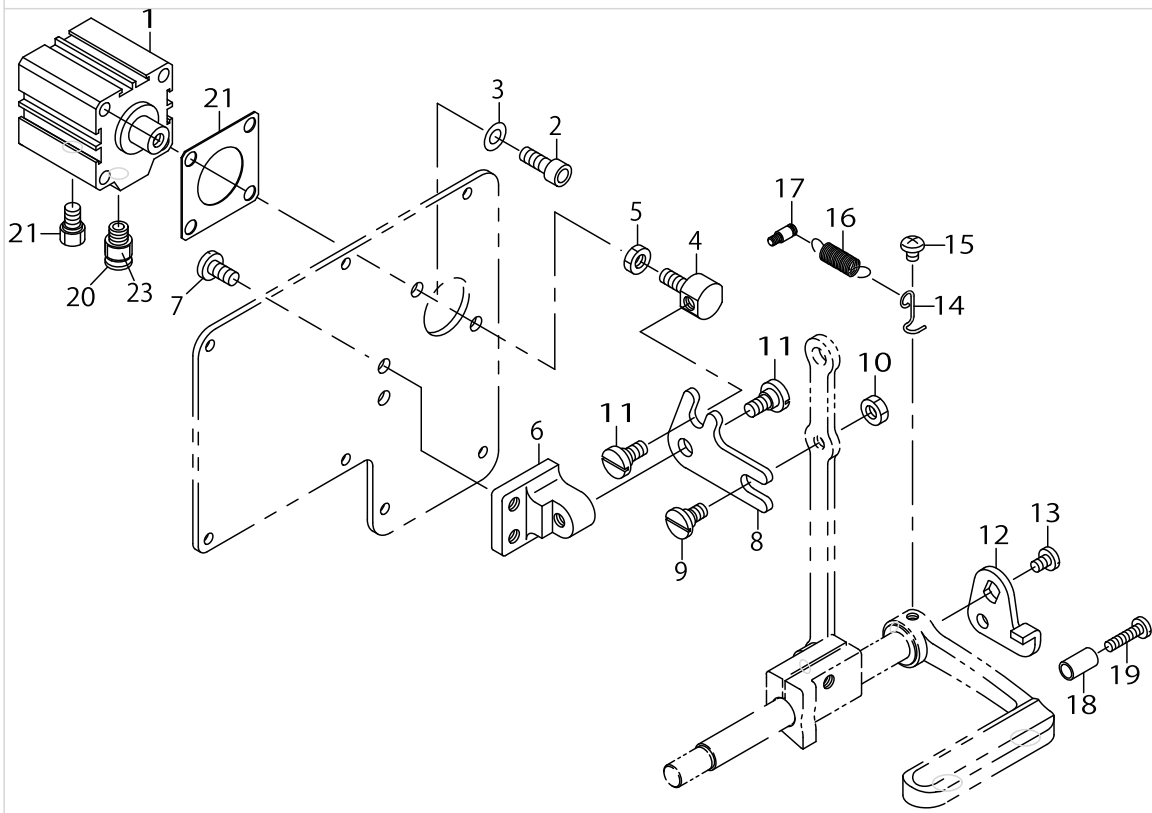
THREAD TRIMMER COMPONENTS (FOR LS-1342-7)



THREAD TRIMMER COMPONENTS (FOR LS-1342-7)

| No. | Supply Code | Parts No. | Replacement | Parts name | Remarks | Choice | Step | Level | Cons | Qty | Rep. QTY |
|-----|-------------|--------------|-------------|------------------------------|-----------------|--------|------|-------|------|-----|----------|
| 1 | | 21439005 | | SOLENOID FITTING PLATE | | | | | | 1 | |
| 2 | | SS6151040SP | | SCREW15/64-28L=10 | | | | | | 2 | |
| 3 | | 23104201 | | THREAD CUTTING SOLENOID | | | | | | 1 | |
| 4 | | SM6040602TP | | SCREW M4 L=6 | | | | | | 2 | |
| 5 | | SS8110422TP | | SCREW 11/64-40 L=4 | | | | | | 2 | |
| 6 | | HK03464000B | | PIN CONTACT | | | | | | 2 | |
| 7 | | HK034610120 | | HOUSING 12P | | | | | | 1 | |
| 8 | R | CS0950816SH | CS0950810SH | THRUST COLLAR D=9.5 W=8 | | | | | | 1 | 1.00 |
| 9 | | 21439104 | | THREAD TRIMMER SOLENOID ARM | | | | | | 1 | |
| 10 | | SS6110710TP | | SCREW 11/64-40 L=6.5 | | | | | | 2 | |
| 11 | | 21439203 | | THREAD TRIMMER SOLENOID LINK | | | | | | 1 | |
| 12 | | SD0600452TP | | HINGE SCREW D=6 H=4.5 | | | | | | 1 | |
| 13 | | SD0790451SP | | HINGE SCREW D=7.94 H=4.5 | | | | | | 1 | |
| 14 | | 21439302 | | SOLENOID CONNECTING LINK | | | | | | 1 | |
| 15 | | SD0600352SP | | HINGE SCREW | | | | | | 1 | |
| 16 | | SD0600321SP | | HINGE SCREW D=6 H=3.2 | | | | | | 1 | |
| 17 | | 21439401 | | FOLLOWER ARM | | | | | | 1 | |
| 18 | | 21439500 | | CAM ROLLER SHAFT | | | | | | 1 | |
| 19 | | 21440508 | | THREAD TRIMMER CAM ROLLER | | | | | | 1 | |
| 20 | | SS8110410TP | | SCREW 11/64-40 L=3.5 | | | | | | 1 | |
| 21 | | 21439609 | | FOLLOWER BASE | | | | | | 1 | |
| 22 | | SS6151210SP | | SCREW15/64-28L=12 | | | | | | 2 | |
| 23 | | 21439708 | | FOLLOWER SHAFT | | | | | | 1 | |
| 24 | | SS8110422TP | | SCREW 11/64-40 L=4 | | | | | | 2 | |
| 25 | | 21439807 | | THREAD TRIMMER LINK | | | | | | 1 | |
| 26 | | SD0640631TP | | HINGE SCREW D=6.35 H=6.3 | | | | | | 1 | |
| 27 | | 21439906 | | MOVING KNIFE ARM | | | | | | 1 | |
| 28 | | SD0640451TP | | HINGE SCREW D=6.35 H=4.5 | | | | | | 1 | |
| 29 | | SS6121210SP | | SCREW 3/16-28 L=12 | | | | | | 1 | |
| 30 | | 21440003 | | MOVING KNIFE BASE | | | | | | 1 | |
| 31 | | B185351200AA | | HOOK SHAFT WASHER A | SELECTIVE PARTS | | | | | 1 | |
| 32 | | B185351200BA | | HOOK SHAFT WASHER B | SELECTIVE PARTS | | | | | 1 | |
| 33 | | B185351200CA | | HOOK SHAFT WASHER C | | | | | | 1 | |
| 34 | | B185351200D | | HOOK SHAFT WASHER | SELECTIVE PARTS | | | | | 1 | |
| 35 | | B185351200E | | HOOK SHAFT WASHER | SELECTIVE PARTS | | | | | 1 | |
| 36 | | 21440607 | | MOVING KNIFE | | | | | | 1 | |
| 37 | | SS6110480SP | | SCREW 11/64-40 L=4.3 | | | | | | 1 | |
| 38 | | 21440102 | | FIXING KNIFE | | | | | | 1 | |
| 39 | | SS6090620TP | | SCREW | | | | | | 2 | |
| 40 | | 21440201 | | CLAMP PLATE | | | | | | 1 | |
| 41 | | SS6060220SP | | SCREW 3/32-56 L=2.0 | | | | | | 2 | |
| 42 | | 21440300 | | THREAD TRIMMER CAM | | | | | | 1 | |
| 43 | | SS8660612TP | | SCREW 1/4-40 L=6 | | | | | | 2 | |

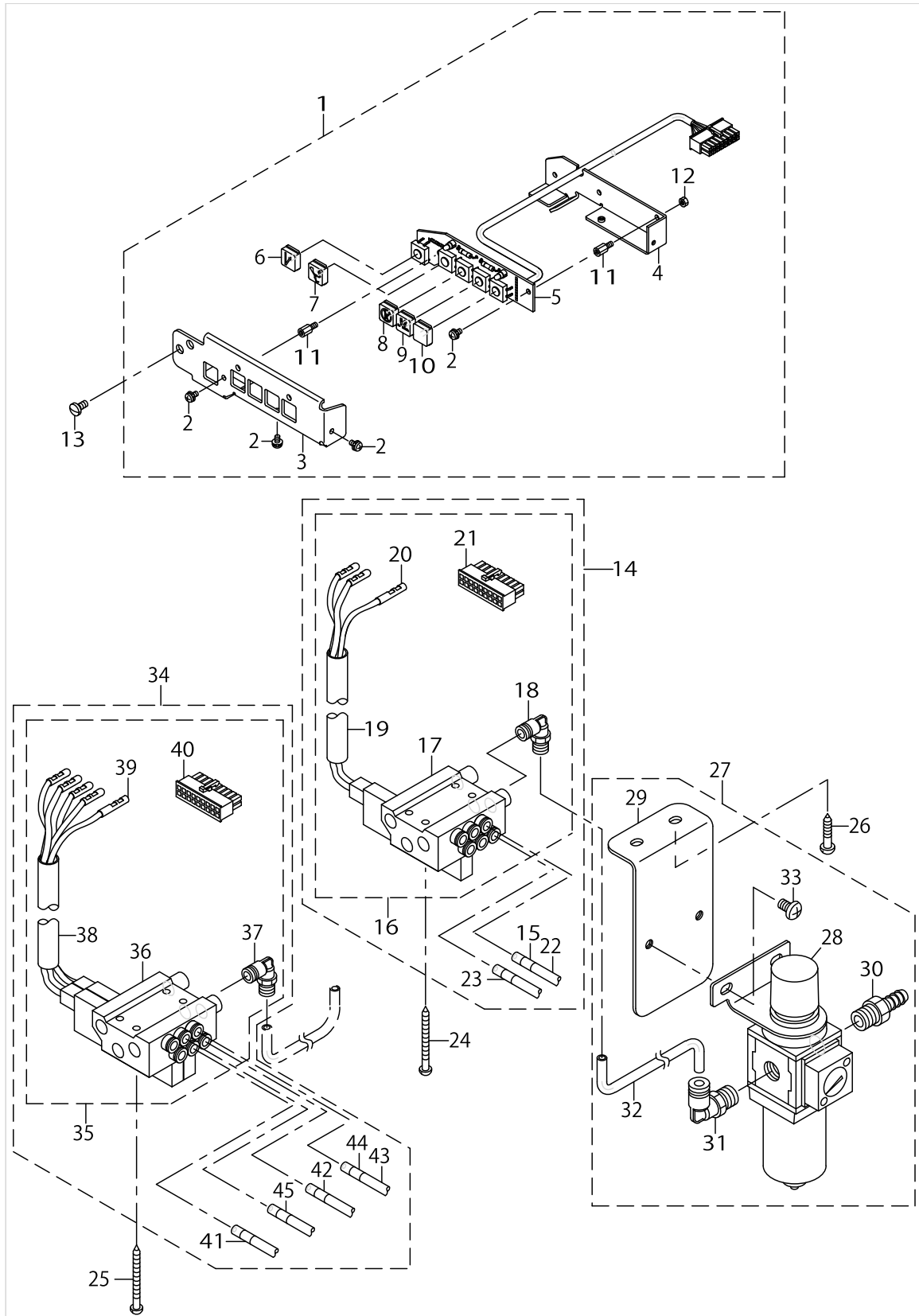
AUTOMATIC BACK COMPONENTS (FOR LS-1342-7)



AUTOMATIC BACK COMPONENTS (FOR LS-1342-7)

| No. | Supply Code | Parts No. | Replacement | Parts name | Remarks | Choice | Step | Level | Cons | Qty | Rep. QTY |
|-----|-------------|-------------|-------------|---------------------------|---------|--------|------|-------|------|-----|----------|
| 1 | | PA320150200 | | JIG CYLINDER | | | | | | 1 | |
| 2 | | SM6061602TP | | SCREW M6 L=16 | | | | | | 2 | |
| 3 | | WP0641601SD | | WASHER M6 | | | | | | 2 | |
| 4 | | 21348602 | | CYLINDER CONNECTING SCREW | | | | | | 1 | |
| 5 | | NM6060003SC | | NUT M6 | | | | | | 1 | |
| 6 | | 21348503 | | FITTING BASE | | | | | | 1 | |
| 7 | | SS7151210SP | | SCREW15/64-28L=12 | | | | | | 2 | |
| 8 | | 21348701 | | BACKWARD FEED LINK | | | | | | 1 | |
| 9 | | SD0800402TP | | HINGESCREW D=8H=4 | | | | | | 1 | |
| 10 | | NS6150430SP | | NUT 15/64-28 | | | | | | 1 | |
| 11 | | SD0800352SP | | HINGE SCREW D=8 H=3.5 | | | | | | 2 | |
| 12 | | 22656102 | | REVERSE FEED LINK (1) | | | | | | 1 | |
| 13 | | SS7120760SP | | SCREW 3/16-28 L=7.0 | | | | | | 1 | |
| 14 | | 22656003 | | SPRINGSUSPENSION | | | | | | 1 | |
| 15 | | SS4120615SP | | SCREW 3/16-28 L=6 | | | | | | 1 | |
| 16 | R | 13515606 | 26226209 | SPRING | | | | | | 1 | 1.00 |
| 17 | | 40023289 | | SPRINGSUSPENSION | | | | | | 1 | |
| 18 | | 22952501 | | BACK LEVER STOPPER | | | | | | 1 | |
| 19 | R | SS7111810SP | SS7111810TP | SCREW11/64-40L=18 | | | | | | 1 | 1.00 |
| 20 | | PJ301065104 | | HALF UNION | | | | | | 1 | |
| 21 | | PX015101000 | | MUFFLER | | | | | | 1 | |
| 22 | | 21349105 | | CYLINDER PACKING | | | | | | 1 | |
| 23 | | HX002950000 | | WIRE MARK(1) | | | | | | 1 | |

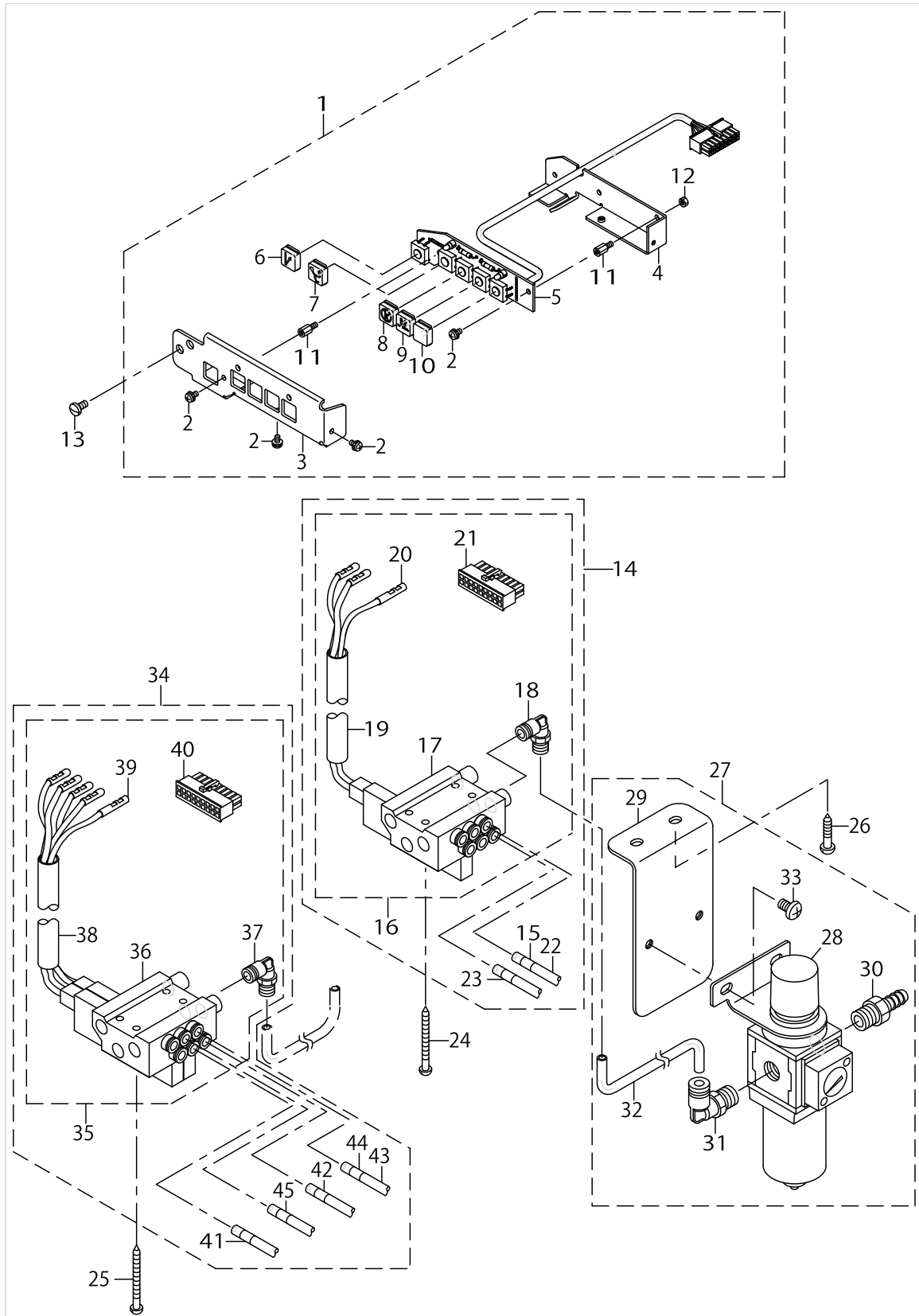
CONTROL DEVICE COMPONENTS (FOR LS-1342-7)



CONTROL DEVICE COMPONENTS (FOR LS-1342-7)

| No. | Supply Code | Parts No. | Replacement | Parts name | Remarks | Choice | Step | Level | Cons | Qty | Rep. QTY |
|-----|-------------|-------------|-------------|---------------------------------|--|--------|------|-------|------|------|----------|
| 1 | | 40102062 | | 5RANGE SWITCH ASM. | | | | | | 1 | |
| 2 | | SL4030631SC | | SCREW M3X6 | | | | * | | 4 | |
| 3 | | 21442603 | | SWITCH COVER | | | | * | | 1 | |
| 4 | | 21442702 | | SWITCH CIRCUIT FITTING BASE | | | | * | | 1 | |
| 5 | | 40102061 | | 5RANGE SWITCH SUB ASM. | | | | * | | 1 | |
| 6 | | 21442900 | | KEY TOP A | | | | * | | 1 | |
| 7 | | 21443007 | | KEY TOP B | | | | * | | 1 | |
| 8 | | 21443106 | | KEY TOP C | | | | * | | 1 | |
| 9 | | 21443205 | | KEY TOP D | | | | * | | 1 | |
| 10 | | 21443809 | | KEY TOP F | | | | * | | 1 | |
| 11 | | HX00354000N | | SPACER | | | | * | | 4 | |
| 12 | | NM6030001SC | | NUT M3 | | | | * | | 3 | |
| 13 | | SS7110840SP | | SCREW 11/64-40 L=7.8 | | | | | | 2 | |
| 14 | | 40103197 | | AIR APPARATUS (A) ASM. | WITH NO A- UTOMATIC CONTROL RAISING E- QUIPMENT | | | | | 1 | |
| 15 | | HX002950000 | | WIRE MARK(1) | | | | * | | 4 | |
| 16 | | 40103198 | | ELECTROMAGNETIC VALVE (A) ASM. | | | | * | | 1 | |
| 17 | | GAKA2302A00 | | ELECTROMAGNETIC VALVE A | | | | * | | 1 | |
| 18 | | GAK29010000 | | ELBOW B | | | | * | | 1 | |
| 19 | | GAKA1503000 | | INSULATION TUBE | | | | * | | 0.25 | |
| 20 | | HK03464000A | | TERMINAL FEMALE | | | | * | | 3 | |
| 21 | | HK034610180 | | CONNECTOR | | | | * | | 1 | |
| 22 | | BT0600401EB | | TUBE | | | | * | | 2 | |
| 23 | | HX00295000C | | WIRE MARK(4) | | | | * | | 4 | |
| 24 | | SK3415001SE | | SCREW D=4.1 L=50 | | | | | | 4 | |
| 25 | | SK3415001SE | | SCREW D=4.1 L=50 | | | | | | 4 | |
| 26 | | SK3482501SE | | WOOD SCREW D=4.8 L=25 | | | | | | 2 | |
| 27 | | 40038722 | | FILTER REGULATAR ASM. | | | | | | 1 | |
| 28 | | PF0552170A0 | | FILTER REGULATOR | | | | * | | 1 | |
| 29 | | 40038723 | | FILTER REGULATOR MOUNTING PLATE | | | | * | | 1 | |
| 30 | | 40107618 | | NIPPLE | | | | * | | 1 | |
| 31 | | GAK29009000 | | ELBOW | | | | * | | 1 | |
| 32 | | BT0600401EB | | TUBE | | | | * | | 0.15 | |
| 33 | | SM4061001SB | | SCREW M6 L=10 | | | | * | | 2 | |
| 34 | | 40102066 | | AIR APPARATUS C ASM. | THOSE WI- TH AUTOM- ATIC CON- TROL RAI- SING EQUIPMENT | | | | | 1 | |
| 35 | | 40102064 | | ELECTROMAGNETIC VALVE C ASM. | | | | * | | 1 | |
| 36 | R | GAKA2302C00 | GAKA2302CA0 | ELECTROMAGNETIC VALVE C | | | | * | | 1 | 1.00 |
| 37 | | GAK29010000 | | ELBOW B | | | | * | | 1 | |
| 38 | | GAKA1503000 | | INSULATION TUBE | | | | * | | 1 | |
| 39 | | HK03464000A | | TERMINAL FEMALE | | | | * | | 5 | |
| 40 | | HK034610180 | | CONNECTOR | | | | * | | 1 | |
| 41 | | HX00295000B | | WIRE MARK(3) | | | | * | | 4 | |

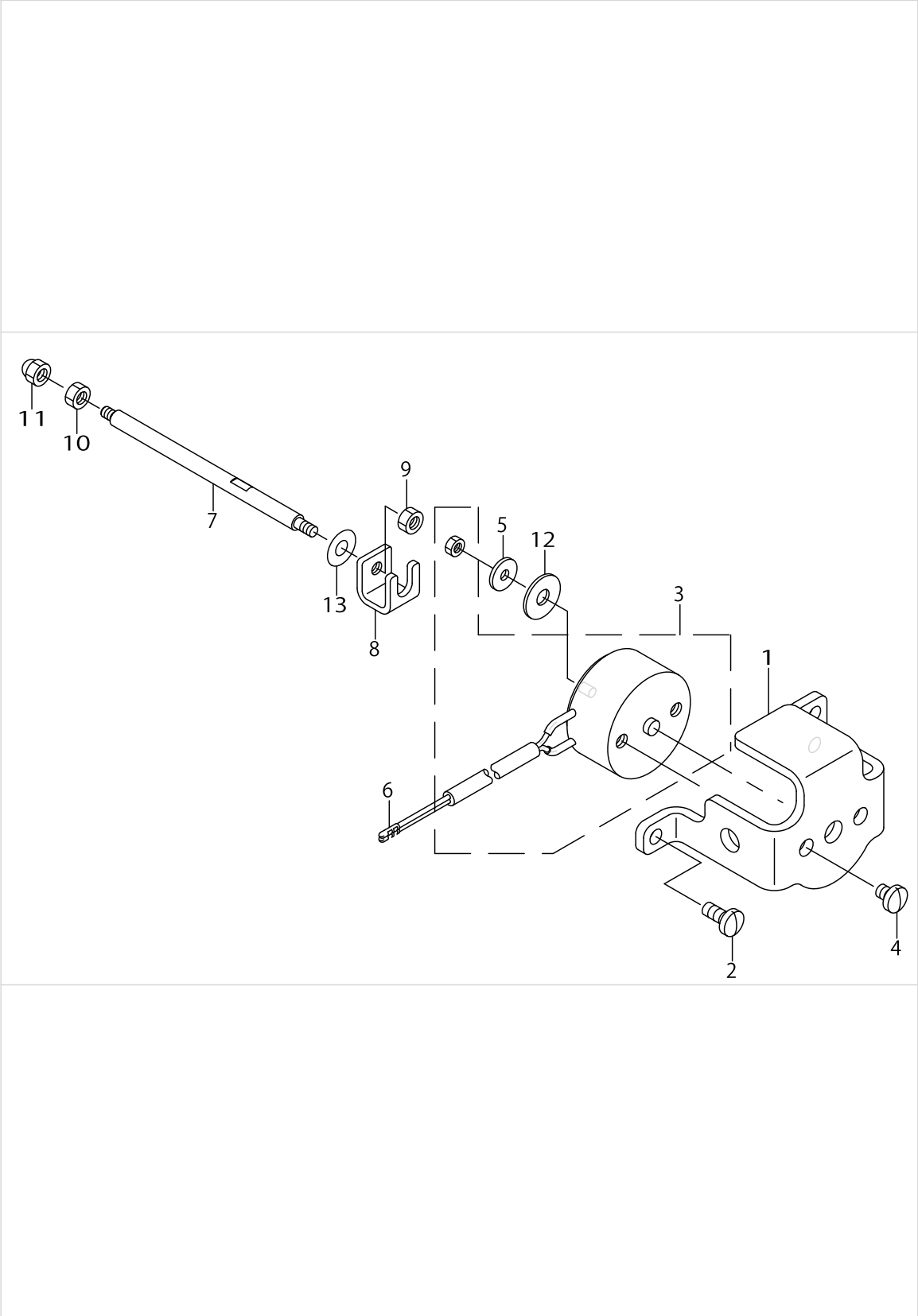
CONTROL DEVICE COMPONENTS (FOR LS-1342-7)



CONTROL DEVICE COMPONENTS (FOR LS-1342-7)

| No. | Supply Code | Parts No. | Replacement | Parts name | Remarks | Choice | Step | Level | Cons | Qty | Rep. QTY |
|-----|-------------|-------------|-------------|--------------|---------|--------|------|-------|------|-----|----------|
| 42 | | HX00295000C | | WIRE MARK(4) | | | | * | | 4 | |
| 43 | | BT0600401EB | | TUBE | | | | * | | 4 | |
| 44 | | HX002950000 | | WIRE MARK(1) | | | | * | | 4 | |
| 45 | | HX00295000A | | WIRE MARK(2) | | | | * | | 4 | |

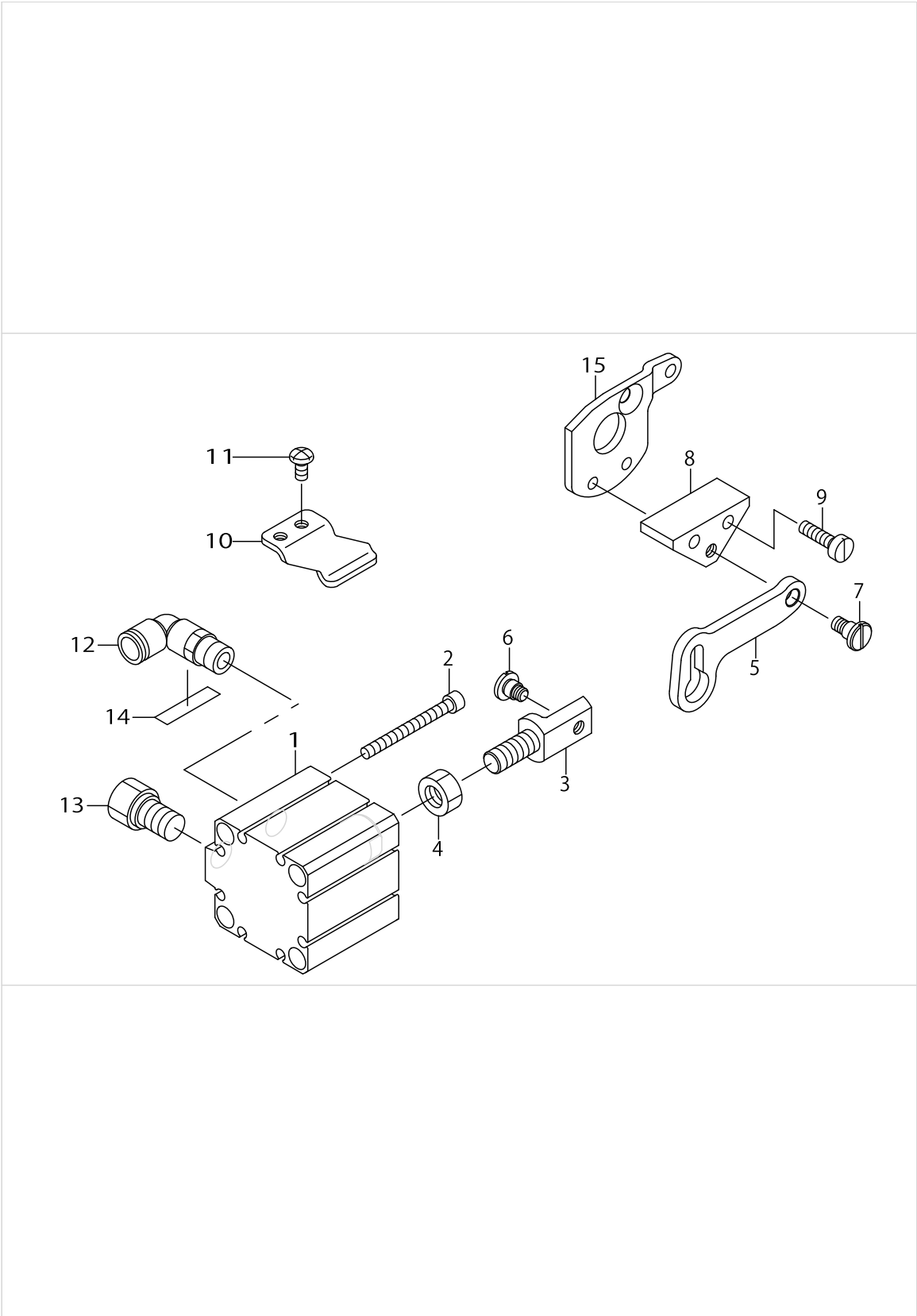
THREAD RELEASE COMPONENTS (FOR LS-1342-7)



THREAD RELEASE COMPONENTS (FOR LS-1342-7)

| No. | Supply Code | Parts No. | Replacement | Parts name | Remarks | Choice | Step | Level | Cons | Qty | Rep. QTY |
|-----|-------------|-------------|-------------|--------------------------|---------|--------|------|-------|------|-----|----------|
| 1 | | 21441407 | | SOLENOID FITTING PLATE | | | | | | 1 | |
| 2 | | SS7110910TP | | SCREW 11/64-40 L=8.5 | | | | | | 3 | |
| 3 | | 21363106 | | TENSION RELEASE SOLENOID | | | | | | 1 | |
| 4 | | SS7110570SP | | SCREW 11/64-40 L=4.8 | | | | | | 2 | |
| 5 | | 40062388 | | WASHER | | | | | | 1 | |
| 6 | | HK03464000B | | PIN CONTACT | | | | | | 2 | |
| 7 | | 21441209 | | TENSION RELEASE ROD | | | | | | 1 | |
| 8 | | 21441308 | | COUPLING | | | | | | 1 | |
| 9 | | NM6040001SN | | NUT M4X0.7 | | | | | | 1 | |
| 10 | | NM6040001SN | | NUT M4X0.7 | | | | | | 1 | |
| 11 | | NM7040062SB | | NUT M4 | | | | | | 1 | |
| 12 | | WP0501046SC | | WASHER 5X13X1 | | | | | | 1 | |
| 13 | | WP0482086SD | | WASHER 4.8X11.5X2 | | | | | | 1 | |

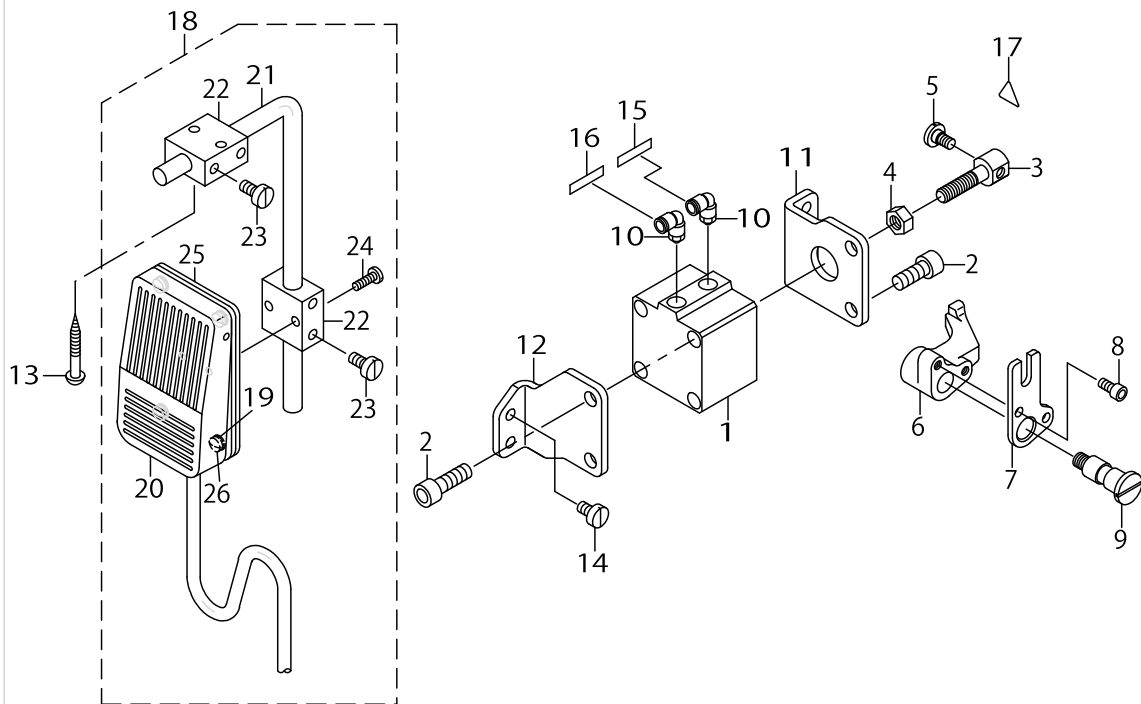
DL DEVICE COMPONENTS (FOR LS-1342-7)



DL DEVICE COMPONENTS (FOR LS-1342-7)

| No. | Supply Code | Parts No. | Replacement | Parts name | Remarks | Choice | Step | Level | Cons | Qty | Rep. QTY |
|-----|-------------|-------------|-------------|------------------------------|---------|--------|------|-------|------|-----|----------|
| 1 | | PA320200100 | | JIG CYLINDER | | | | | | 1 | |
| 2 | | SM6044002TP | | SCREW | | | | | | 2 | |
| 3 | | 21438403 | | CYLYNDER CONNECTING SCREW | | | | | | 1 | |
| 4 | | NM6080721SE | | NUT M8 | | | | | | 1 | |
| 5 | | 21438502 | | MUTUAL VERTICAL LINK | | | | | | 1 | |
| 6 | | SD0600403TP | | HINGE SCREW | | | | | | 1 | |
| 7 | | SD0600454TP | | SHOULDER SCREW | | | | | | 1 | |
| 8 | | 21438601 | | MUTUAL VERTICAL LINK SPASER | | | | | | 1 | |
| 9 | | SS6111610SP | | SCREW 11/64-40L=16 | | | | | | 2 | |
| 10 | | 21438700 | | MUTUAL VERTICAL LINK SUPPORT | | | | | | 1 | |
| 11 | | SS4110815SP | | SCREW 11/64-40 L=8 | | | | | | 2 | |
| 12 | | PJ304065101 | | ELBOW UNION 6XPT1/8 | | | | | | 1 | |
| 13 | | PX015101000 | | MUFFLER | | | | | | 1 | |
| 14 | | HX00295000C | | WIRE MARK(4) | | | | | | 1 | |
| 15 | | 21438106 | | STOPPER PLATE B | | | | | | 1 | |

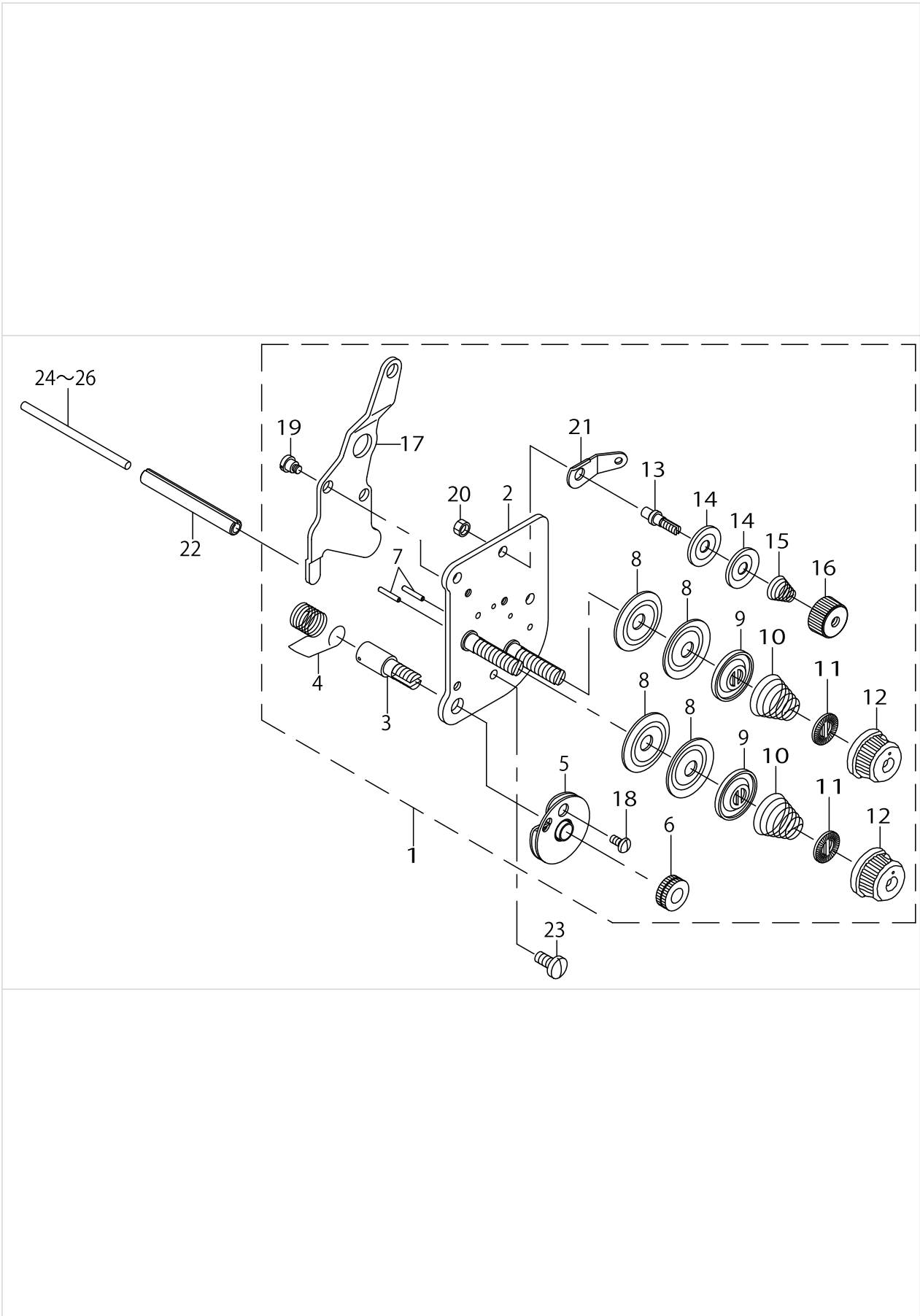
AUTOMATIC HAND LIFTER (OPTION) COMPONENTS (FOR LS-1342-7)



AUTOMATIC HAND LIFTER (OPTION) COMPONENTS (FOR LS-1342-7)

| No. | Supply Code | Parts No. | Replacement | Parts name | Remarks | Choice | Step | Level | Cons | Qty | Rep. QTY |
|-----|-------------|-------------|-------------|---------------------------|---------|--------|------|-------|------|-----|----------|
| 1 | | PA400150100 | | AIR CYLINDER | | | | | | 1 | |
| 2 | | SM6082002TP | | SCREW M8 L=20 | | | | | | 4 | |
| 3 | | 21356506 | | CYLINDER CONNECTING SCREW | | | | | | 1 | |
| 4 | | NM6080001SE | | NUT M8 | | | | | | 1 | |
| 5 | | SD0720331SP | | HINGE SCREW D=7.24 H=3.3 | | | | | | 1 | |
| 6 | | 21388509 | | PRESSER LIFTER LEVER A | | | | | | 1 | |
| 7 | | 21356803 | | LEVER B | | | | | | 1 | |
| 8 | | SM6051002TP | | SCREW M5X0.8 L=10 | | | | | | 2 | |
| 9 | | 21356704 | | SHAFT | | | | | | 1 | |
| 10 | | PJ304065101 | | ELBOW UNION 6XPT1/8 | | | | | | 2 | |
| 11 | | 21356308 | | CYLINDER STAY(FRONT) | | | | | | 1 | |
| 12 | | 21356407 | | CYLINDER STAY(REAR) | | | | | | 1 | |
| 13 | | SK3385001SE | | WOOD SCREW D=3.8 L=50 | | | | | | 2 | |
| 14 | | SS6151040SP | | SCREW15/64-28L=10 | | | | | | 4 | |
| 15 | | HX00295000A | | WIRE MARK(2) | | | | | | 1 | |
| 16 | | HX00295000B | | WIRE MARK(3) | | | | | | 1 | |
| 17 | | CM300200001 | | ATTENTION SEAL | | | | | | 1 | |
| 18 | | 40025036 | | KNEE SWITCH ASM. | | | | | | 1 | |
| 19 | | WP0480856SP | | WASHER 4.8X8.4X0.8 | | | | * | | 4 | |
| 20 | | 40025035 | | KNEE SWITCH ASM. | | | | * | | 1 | |
| 21 | | MAT80231T00 | | DRIVING BAR T002 | | | | * | | 1 | |
| 22 | | MAT80230T00 | | KNEE SWITCH SUPPORT BASE | | | | * | | 2 | |
| 23 | | SS6151220SP | | SCREW 15/64-28 L=11.5 | | | | * | | 4 | |
| 24 | R | SS7111410SP | SS7111410TP | SCREW11/64-40L=14 | | | | * | | 2 | 1.00 |
| 25 | D | MAT80232T00 | | KNEE SWITCH SUPPORT PLATE | | | | * | | 1 | |
| 26 | | SS7110710SL | | SCREW 11/64-40 L=7.0 | | | | * | | 4 | |

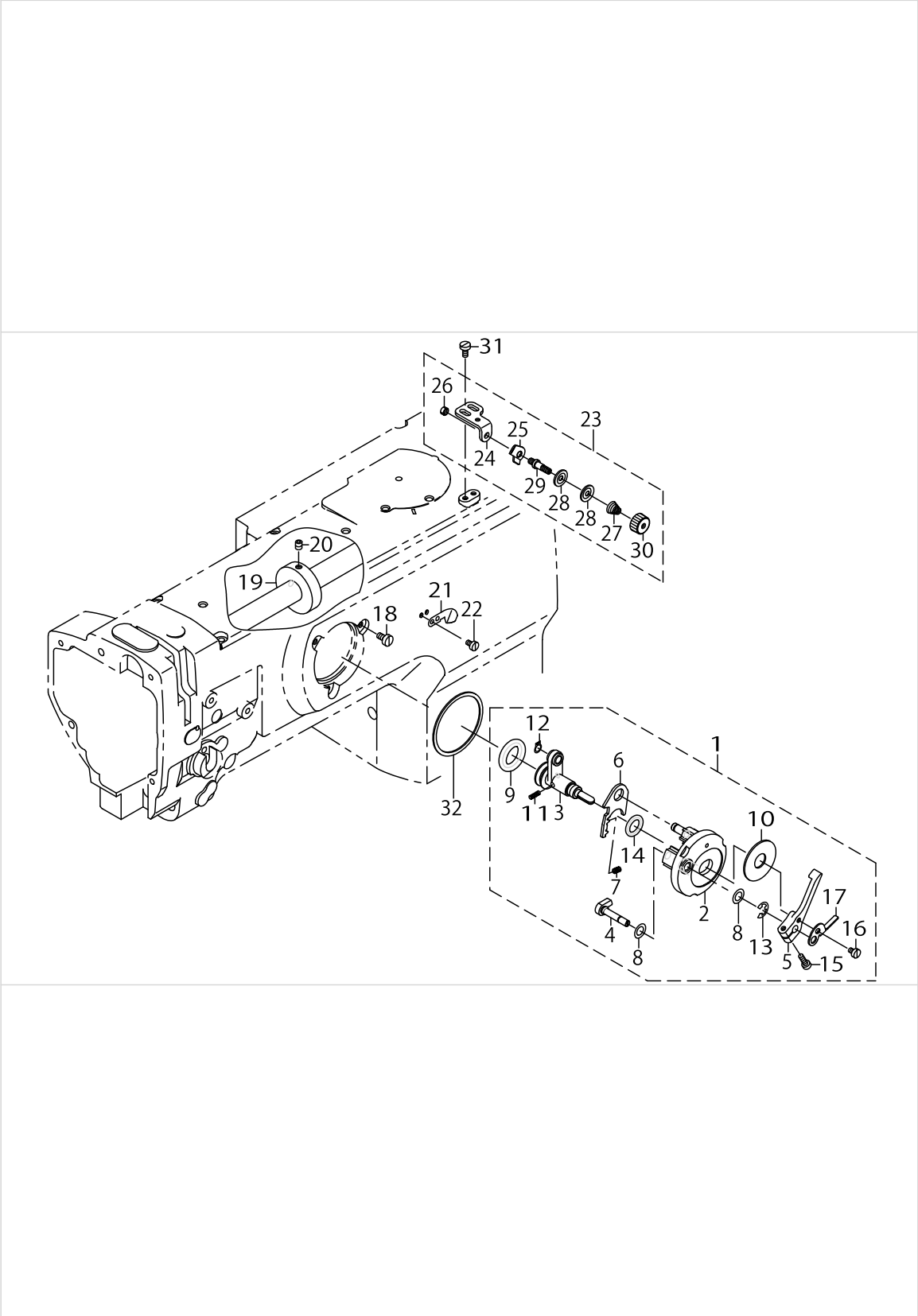
THREAD TENSION COMPONENTS



THREAD TENSION COMPONENTS

| No. | Supply Code | Parts No. | Replacement | Parts name | Remarks | Choice | Step | Level | Cons | Qty | Rep. QTY |
|-----|-------------|-------------|-------------|-----------------------------------|-----------------|--------|------|-------|------|-----|----------|
| 1 | | 40103925 | | THREAD TENSION ASM. | | | | | | 1 | |
| 2 | | 21441050 | | TENSION POST COMPL. | | | | * | | 1 | |
| 3 | | 10320109 | | SCREW STUD | | | | * | | 1 | |
| 4 | | B3128520000 | | TENSION SPRING | | | | * | | 1 | |
| 5 | | B31370510A0 | | TAKE-UP SPRING GUIDE DISC ASM. | | | | * | | 1 | |
| 6 | R | B3125012000 | 22928808 | THREAD TENSION NUT | | | | * | | 1 | 1.00 |
| 7 | | 22618201 | | TENSION RELEASE PIN A | | | | * | | 2 | |
| 8 | | 13138201 | | THREAD TENSION DISK | | | | * | | 4 | |
| 9 | | 22617906 | | THREAD TENSION DISK PRESSER | | | | * | | 2 | |
| 10 | | B3129526000 | | TENSIONS PRING(1.2) | | | | * | | 2 | |
| 11 | | 22921407 | | ROTATION STOPPER | | | | * | | 2 | |
| 12 | | 22921308 | | THREAD TENSION NUT | | | | * | | 2 | |
| 13 | | 10124204 | | THREAD TENSION POST A | | | | * | | 1 | |
| 14 | | 10741106 | | FIRST THREAD TENSION PLATE | | | | * | | 2 | |
| 15 | | 22945505 | | THREAD TENSION SPRING | | | | * | | 1 | |
| 16 | | 22945703 | | THREAD TENSION NUT | | | | * | | 1 | |
| 17 | | 21441100 | | TENSION RELEASE PLATE | | | | * | | 1 | |
| 18 | | SS4080620TP | | SCREW 1/8-44 L=6 | | | | * | | 1 | |
| 19 | | SD0470281SP | | HINGE SCREW D=4.7 H=2.8 | | | | * | | 2 | |
| 20 | | NS6110310SP | | NUT 11/64-40 | | | | * | | 1 | |
| 21 | | D3162555B00 | | THREAD GUIDE | | | | * | | 1 | |
| 22 | | PS0600502KP | | SPRING PIN | | | | | | 1 | |
| 23 | | SS7110910TP | | SCREW 11/64-40 L=8.5 | | | | | | 2 | |
| 24 | | 21348206 | | TENSION RELEASE BAR | | | | | | 1 | |
| 25 | | 10321107 | | TENSION RELEASE BAR | SELECTIVE PARTS | | | | | 1 | |
| 26 | | 23006406 | | TENSION RELEASE BAR | SELECTIVE PARTS | | | | | 1 | |

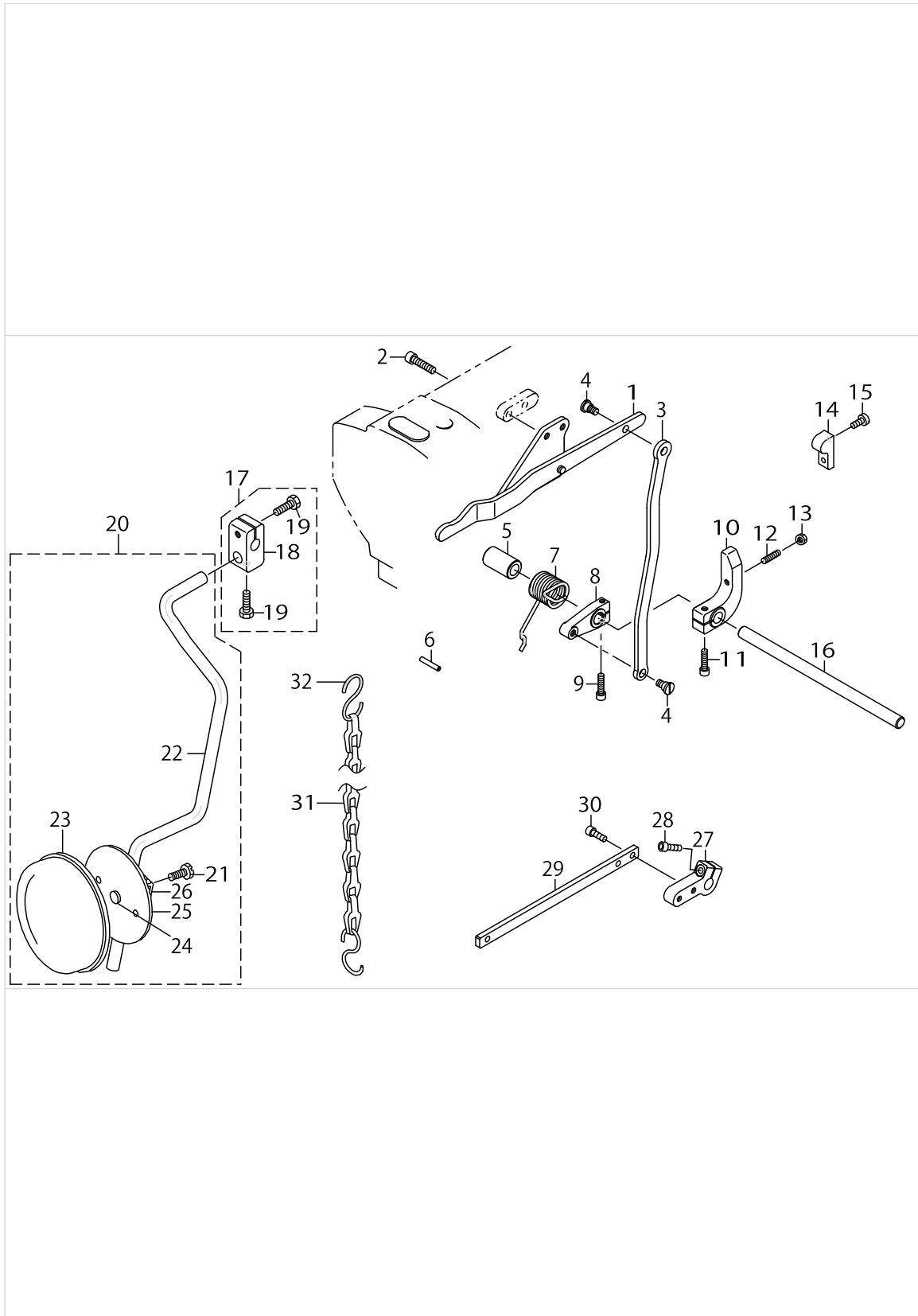
LOWER THREAD WINDER MECHANISM COMPONENTS



LOWER THREAD WINDER MECHANISM COMPONENTS

| No. | Supply Code | Parts No. | Replacement | Parts name | Remarks | Choice | Step | Level | Cons | Qty | Rep. QTY |
|-----|-------------|--------------|-------------|-----------------------------|---------|--------|------|-------|------|-----|----------|
| 1 | | 21357967 | | BOBBIN DEVICE ASM. | | | | | | 1 | |
| 2 | | 22537658 | | BOBBIN FITTING BASIS COMPL. | | | | * | | 1 | |
| 3 | | 21357959 | | BOBIN SHAFT COMPL. | | | | * | | 1 | |
| 4 | | 22538151 | | BOBBIN CAM SHAFT COMPL. | | | | * | | 1 | |
| 5 | | 23636202 | | BOBBIN LEVER | | | | * | | 1 | |
| 6 | | 21356001 | | ADJUSTING PLATE | | | | * | | 1 | |
| 7 | | B152989000CA | | PRESSUR FOOT SPRING | | | | * | | 1 | |
| 8 | | 10618304 | | VERTICAL ROLLER WASHER | | | | * | | 2 | |
| 9 | | 21358205 | | RUBBER RING | | | | * | | 1 | |
| 10 | | B3205210000 | | CUSHION | | | | * | | 1 | |
| 11 | R | B1148555000 | 22912109 | SPRING | | | | * | | 1 | 1.00 |
| 12 | | RC0560711KP | | RETAINING RING | | | | * | | 1 | |
| 13 | | RE0500000K0 | | E-RING | | | | * | | 1 | |
| 14 | | RO092270200 | | RUBBER RING | | | | * | | 1 | |
| 15 | | SS7091410SP | | SCREW 9/64-40 L=13.5 | | | | * | | 1 | |
| 16 | | SS6090520SP | | SCREW 9/64-40 L=5.0 | | | | * | | 1 | |
| 17 | | 14512503 | | BOBBIN ADJUSTING PLATE | | | | * | | 1 | |
| 18 | | SS6110810TP | | SCREW 11/64-40 L=8 | | | | | | 3 | |
| 19 | | 10704807 | | BOBBIN FRICTION WHEEL | | | | | | 1 | |
| 20 | | SM8050602TP | | SCREW M5 L=6 | | | | | | 2 | |
| 21 | | 10502300 | | THREAD CUTTER | | | | | | 1 | |
| 22 | | SS6090620TP | | SCREW | | | | | | 1 | |
| 23 | | 21355755 | | LOWER THREAD GUIDE ASM. | | | | | | 1 | |
| 24 | R | 21355706 | 21355755 | FITTING BASE | | | | * | | 1 | 1.00 |
| 25 | | D3162555B00 | | THREAD GUIDE | | | | * | | 1 | |
| 26 | | NS6110310SP | | NUT 11/64-40 | | | | * | | 1 | |
| 27 | | 22945505 | | THREAD TENSION SPRING | | | | * | | 1 | |
| 28 | | 40113092 | | THREAD TENSION DISK | | | | * | | 2 | |
| 29 | R | 21378708 | 21355755 | THREAD TENSION POST | | | | * | | 1 | 1.00 |
| 30 | | 22945703 | | THREAD TENSION NUT | | | | * | | 1 | |
| 31 | | SM6040800SP | | SCREW | | | | | | 2 | |
| 32 | | 22538706 | | PACKING | | | | | | 1 | |

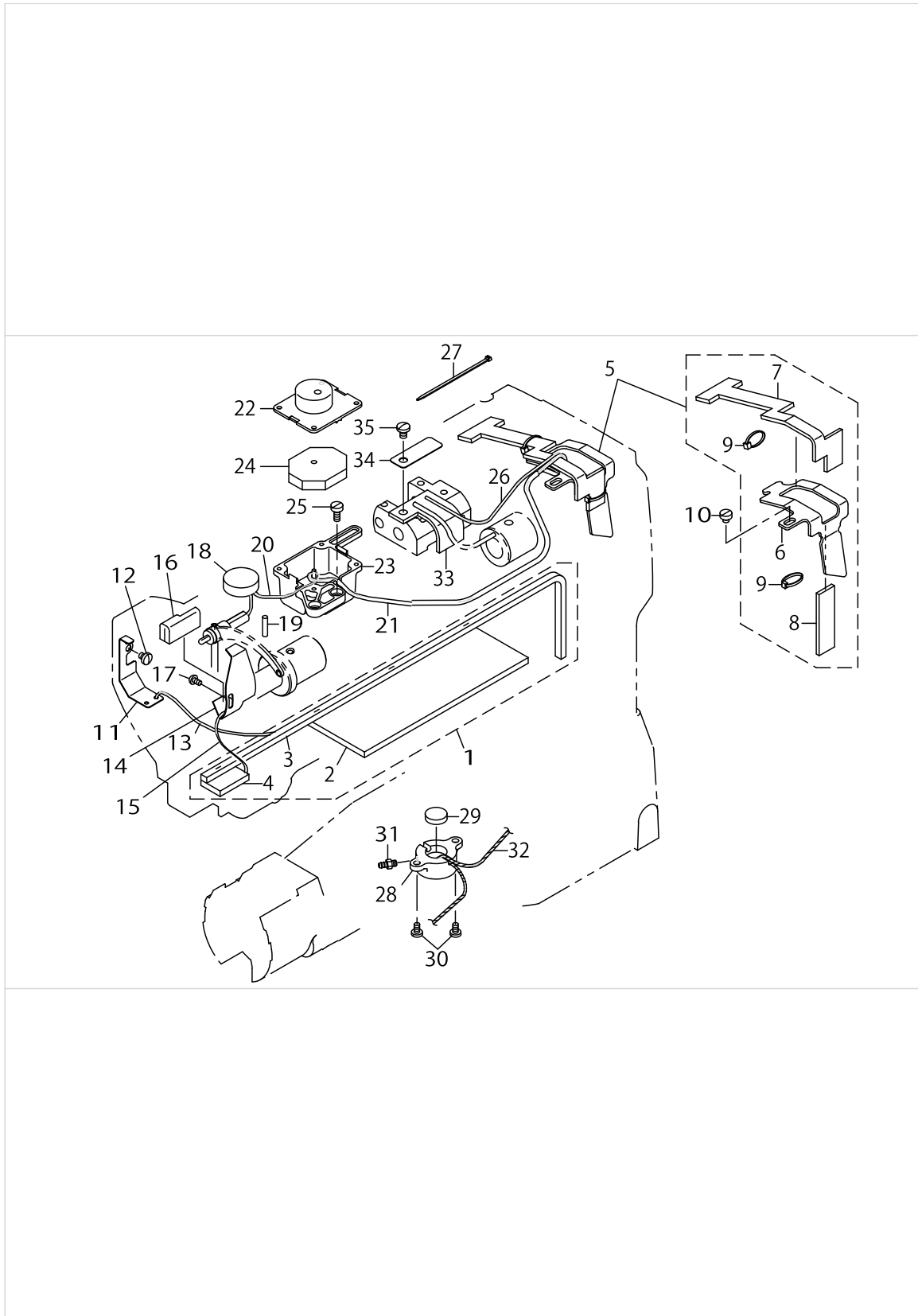
KNEE LIFTER COMPONENTS



KNEE LIFTER COMPONENTS

| No. | Supply Code | Parts No. | Replacement | Parts name | Remarks | Choice | Step | Level | Cons | Qty | Rep. QTY |
|-----|-------------|-------------|-------------|-----------------------------|----------------|--------|------|-------|------|-----|----------|
| 1 | | 21432851 | | KNEE LIFTER LEVER ASM. | | | | | | 1 | |
| 2 | | SM6062502TP | | SCREW M6 L=25 | | | | | | 2 | |
| 3 | D | 21432703 | | NEE LIFTER CONNECTING PLATE | | | | | | 1 | |
| 4 | | SD0790451SP | | HINGE SCREW D=7.94 H=4.5 | | | | | | 2 | |
| 5 | | 21433008 | | NEE LIFTER CONNECTING PLATE | | | | | | 1 | |
| 6 | | PS0400222K0 | | SPRING PIN | | | | | | 1 | |
| 7 | | 21433107 | | KNEE LIFTER SPRING | | | | | | 1 | |
| 8 | | 21405709 | | KNEE LIFTER ARM | | | | | | 1 | |
| 9 | | SM6052002TP | | SCREW M5 L=20 | | | | | | 1 | |
| 10 | | 21432604 | | KNEE LIFTER STOPPER ARM | | | | | | 1 | |
| 11 | | SM6052002TP | | SCREW M5 L=20 | | | | | | 1 | |
| 12 | | SM8052502TP | | SCREW M5X0.8 L=25 | | | | | | 1 | |
| 13 | | NM6050001SD | | NUT M5X0.8 | | | | | | 1 | |
| 14 | | 21433206 | | STOPPER ARM | | | | | | 1 | |
| 15 | | SS6121210SP | | SCREW 3/16-28 L=12 | | | | | | 2 | |
| 16 | | 21432505 | | KNEE LIFTER SHAFT | | | | | | 1 | |
| 17 | | 22932453 | | BRACKET ASM. | | | | | | 1 | |
| 18 | R | 22932404 | 22932453 | BRACKET | | | | * | | 1 | 1.00 |
| 19 | | 22934707 | | SCREW | | | | * | | 2 | |
| 20 | | 21433354 | | KNEE PRESS PLATE ASM. | | | | | | 1 | |
| 21 | | SM9061203SE | | SCREW M6 L=12 | | | | * | | 1 | |
| 22 | R | 21433305 | 21433354 | KNEE PRESS LEVER | | | | * | | 1 | 1.00 |
| 23 | | 22934509 | | KNEE PAD PLATE COVER | | | | * | | 1 | |
| 24 | | 22934400 | | KNEE PAD PLATE RUBBER | | | | * | | 1 | |
| 25 | | 22934202 | | KNEE PAD PLATE | | | | * | | 1 | |
| 26 | | 22934301 | | KNEE PAD PLATE SUPPORT | | | | * | | 1 | |
| 27 | | 21433404 | | PRESSER LIFTER ARM | OPTIONAL PARTS | | | | | 1 | |
| 28 | | SM6051602TP | | SCREW M5X0.8 L=16 | OPTIONAL PARTS | | | | | 1 | |
| 29 | | 21433503 | | PRESSER LIFTER PLATE | OPTIONAL PARTS | | | | | 1 | |
| 30 | | SM6051552TP | | SCREW M5 L=15 | OPTIONAL PARTS | | | | | 2 | |
| 31 | R | B8131019000 | 26037903 | CHAIN | OPTIONAL PARTS | | | | | 1 | 1.00 |
| 32 | | 13160304 | | S SHAPED HOOK | OPTIONAL PARTS | | | | | 2 | |

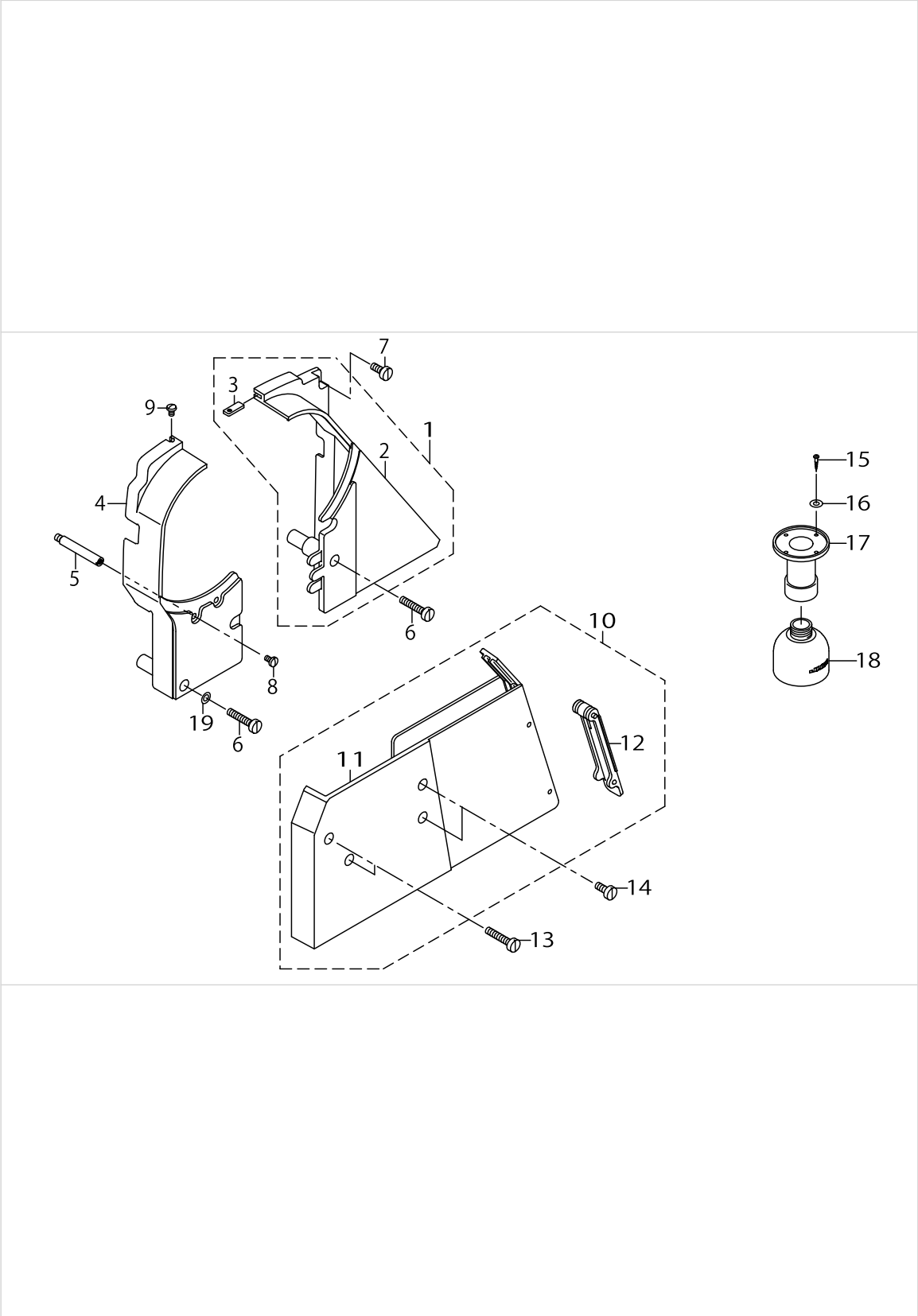
LUBRICATION COMPONENTS



LUBRICATION COMPONENTS

| No. | Supply Code | Parts No. | Replacement | Parts name | Remarks | Choice | Step | Level | Cons | Qty | Rep. QTY |
|-----|-------------|-------------|-------------|-------------------------------------|---------|--------|------|-------|------|-----|----------|
| 1 | | 21345756 | | ARM ONCE THROU- GH OIL FELT ASM. | | | | | | 1 | |
| 2 | | 21345707 | | ARM ONCE THROUGH FELT A | | | | * | | 1 | |
| 3 | | 21345806 | | FELT B | | | | * | | 1 | |
| 4 | | 21345905 | | FACE ONCE THROUGH FELT | | | | * | | 1 | |
| 5 | | 21346358 | | FELT SUPPORT ASM. | | | | | | 1 | |
| 6 | | 21346309 | | FELT | | | | * | | 1 | |
| 7 | | 21346507 | | FEED CHANGE FELT | | | | * | | 1 | |
| 8 | | 21346408 | | FELT | | | | * | | 1 | |
| 9 | | EA9500B0000 | | CLIP CV-70S | | | | * | | 2 | |
| 10 | | SS6110480SP | | SCREW 11/64-40 L=4.3 | | | | | | 1 | |
| 11 | | 21340708 | | UPPER FEED OIL BAR PLATE | | | | | | 1 | |
| 12 | | SS7110510SP | | SCREW 11/64-40 L=5 | | | | | | 1 | |
| 13 | | CQ202000000 | | OIL WICK | | | | | | .25 | |
| 14 | | 21347000 | | TAKE-UP OIL PLATE | | | | | | 1 | |
| 15 | | CQ202000000 | | OIL WICK | | | | | | .25 | |
| 16 | | 21347208 | | TAKE-UP LUBRICATION FELT | | | | | | 1 | |
| 17 | | SS3090610SP | | SCREW 9/64-40 L=6 | | | | | | 1 | |
| 18 | | 21346002 | | FELT | | | | | | 1 | |
| 19 | | B1412051000 | | FELT | | | | | | 1 | |
| 20 | | CQ252000000 | | OIL WICK | | | | | | .3 | |
| 21 | | BT0500300EA | | OIL TUBE | | | | | | .25 | |
| 22 | | 21407507 | | OIL TANK A | | | | | | 1 | |
| 23 | | 21407606 | | OIL TANK B | | | | | | 1 | |
| 24 | | 21407705 | | FELT | | | | | | 2 | |
| 25 | R | SS6111010SP | SS6111010TP | SCREW 11/64-40 L=9.5 | | | | | | 2 | 1.00 |
| 26 | | CQ202000000 | | OIL WICK | | | | | | .15 | |
| 27 | | EA9500B0000 | | CLIP CV-70S | | | | | | 1 | |
| 28 | | 21433800 | | OIL TANK | | | | | | 1 | |
| 29 | | B1203051000 | | OIL FELT | | | | | | 1 | |
| 30 | | SS7110710SP | | SCREW 11/64-40 L=7 | | | | | | 2 | |
| 31 | | SQ1110401MZ | | CONNECTING SCREW | | | | | | 1 | |
| 32 | | CQ202000000 | | OIL WICK | | | | | | .4 | |
| 33 | | 21346200 | | MUTUAL VERTICAL CHANGE FELT | | | | | | 1 | |
| 34 | | 21346101 | | LUBRICATION FELT PRESSER | | | | | | 1 | |
| 35 | | SS7120760SP | | SCREW 3/16-28 L=7.0 | | | | | | 1 | |

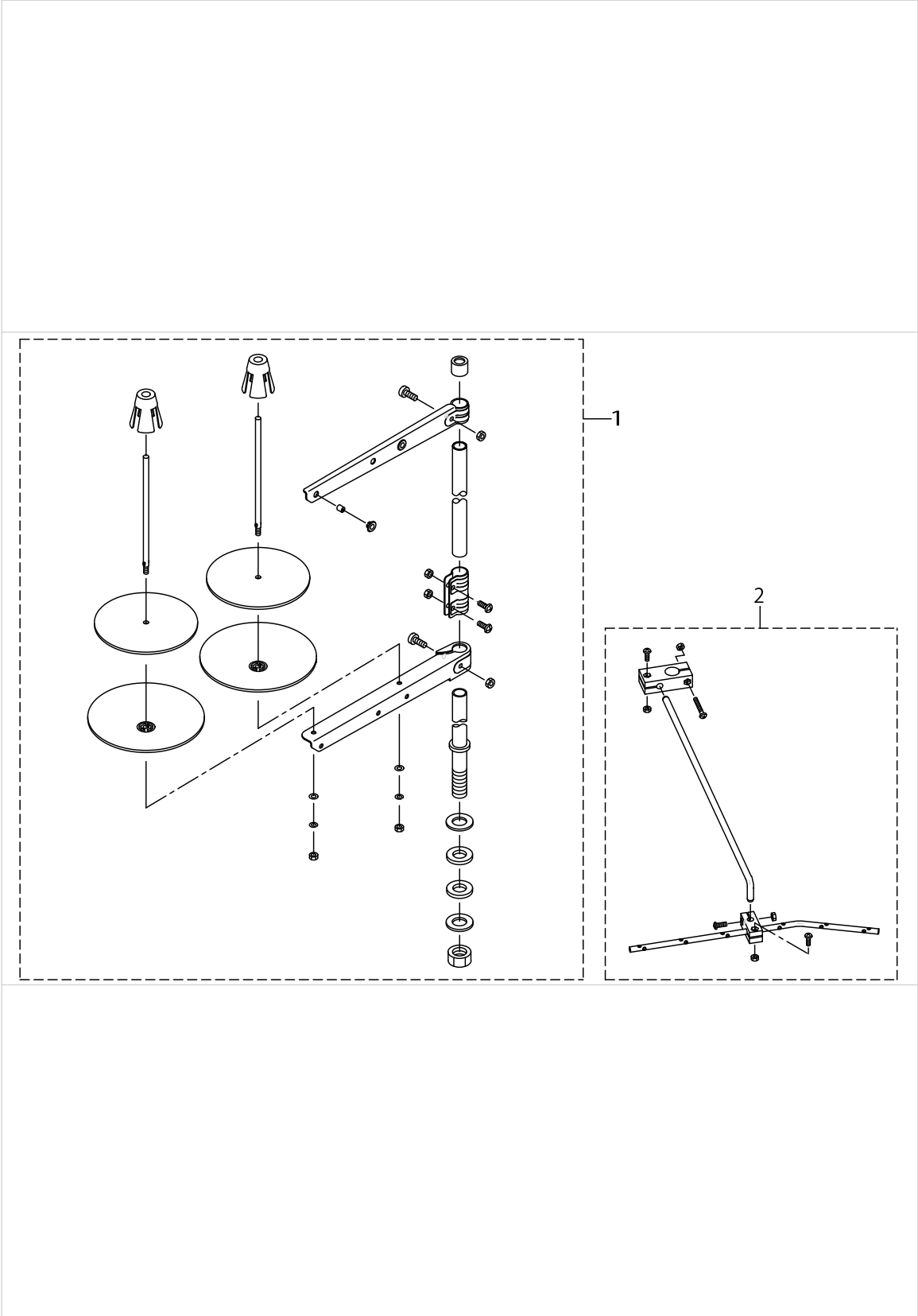
BELT COVER & OIL RESERVOIR COMPONENTS



BELT COVER & OIL RESERVOIR COMPONENTS

| No. | Supply Code | Parts No. | Replacement | Parts name | Remarks | Choice | Step | Level | Cons | Qty | Rep. QTY |
|-----|-------------|-------------|-------------|----------------------------|---------|--------|------|-------|------|-----|----------|
| 1 | | 21351150 | | BELT COVER ASM. (RIGHT) | | | | | | 1 | |
| 2 | R | 21351101 | 21351150 | BELT COVER (RIGHT) | | | | * | | 1 | 1.00 |
| 3 | | 21351002 | | BELT COVER AUXILIARY PLATE | | | | * | | 1 | |
| 4 | | 21351200 | | BELT COVER (LEFT) | | | | | | 1 | |
| 5 | | D8232241E00 | | BELT COVER SUPPORT A | | | | | | 1 | |
| 6 | | SS6153040SP | | SCREW15/64-28L=30 | | | | | | 2 | |
| 7 | | SS6151440SP | | SCREW15/64-28L=14 | | | | | | 1 | |
| 8 | | SS7110840SP | | SCREW 11/64-40 L=7.8 | | | | | | 1 | |
| 9 | | SS5110740TP | | SCREW 11/64-40 L= 6.5 | | | | | | 1 | |
| 10 | | 21434451 | | BELT COVER ASM. LOWER | | | | | | 1 | |
| 11 | | 21434402 | | BELT COVER LOWER | | | | * | | 1 | |
| 12 | R | 21434501 | 21434451 | BELT COVER COVER | | | | * | | 1 | 1.00 |
| 13 | | SS6153040SP | | SCREW15/64-28L=30 | | | | | | 2 | |
| 14 | | SS6151440SP | | SCREW15/64-28L=14 | | | | | | 2 | |
| 15 | | SK3241601SC | | WOOD SCREW D=2.4 L=16 | | | | | | 4 | |
| 16 | | WP0320501SC | | WASHER M3 | | | | | | 4 | |
| 17 | | B8202205000 | | OIL MANAGEMENT | | | | | | 1 | |
| 18 | | 40025300 | | OIL POT | | | | | | 1 | |
| 19 | | WP0612076SP | | WASHER 6.1X11X2 | | | | | | 1 | |

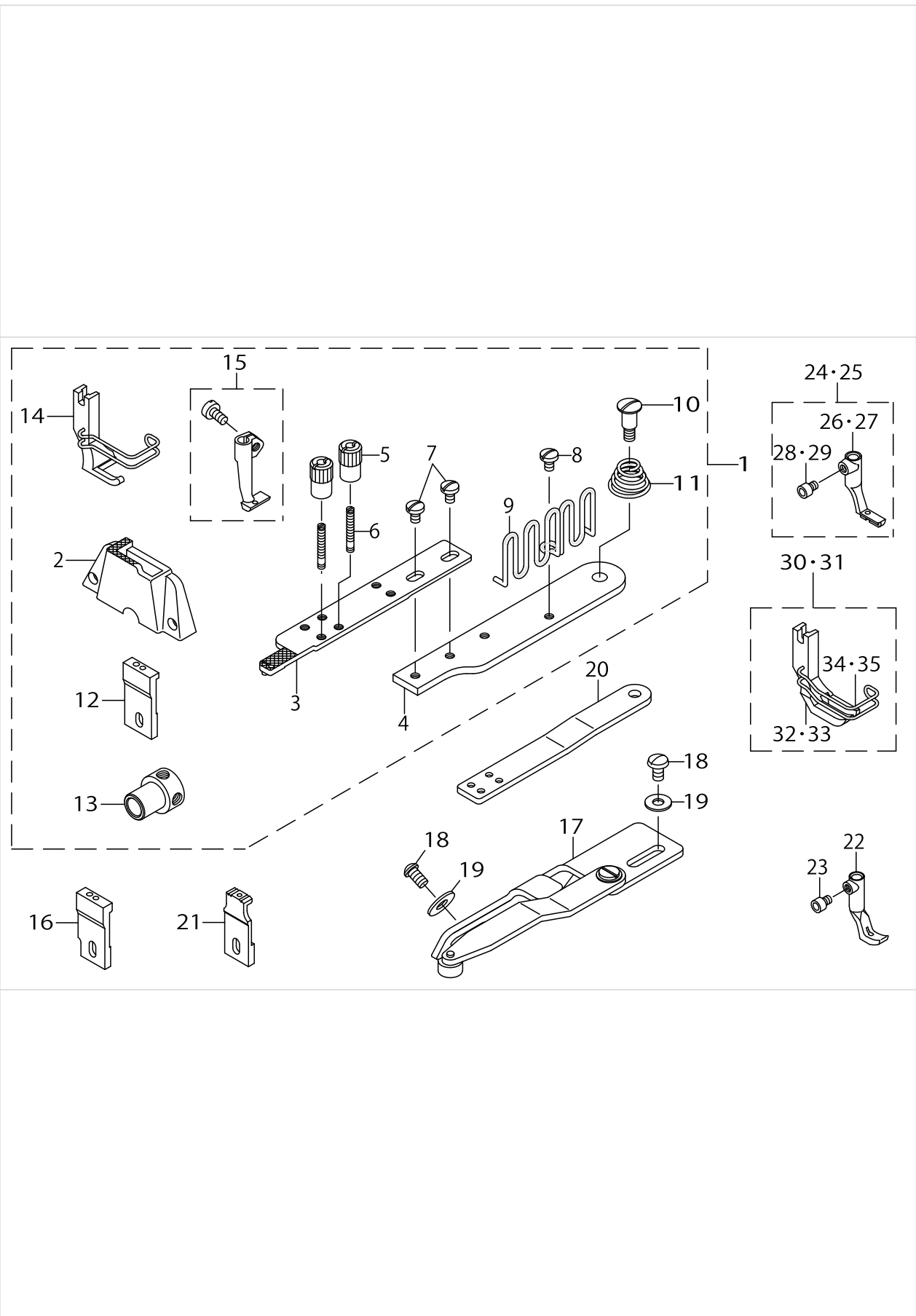
THREAD STAND COMPONENTS



THREAD STAND COMPONENTS

| No. | Supply Code | Parts No. | Replacement | Parts name | Remarks | Choice | Step | Level | Cons | Qty | Rep. QTY |
|-----|-------------|-----------|-------------|-----------------------|---------|--------|------|-------|------|-----|----------|
| 1 | | 40096354 | | THREAD STAND ASM. | | | | | | 1 | |
| 2 | | 26910059 | | THREAD GUIDE ARM ASM. | | | | | | 1 | |

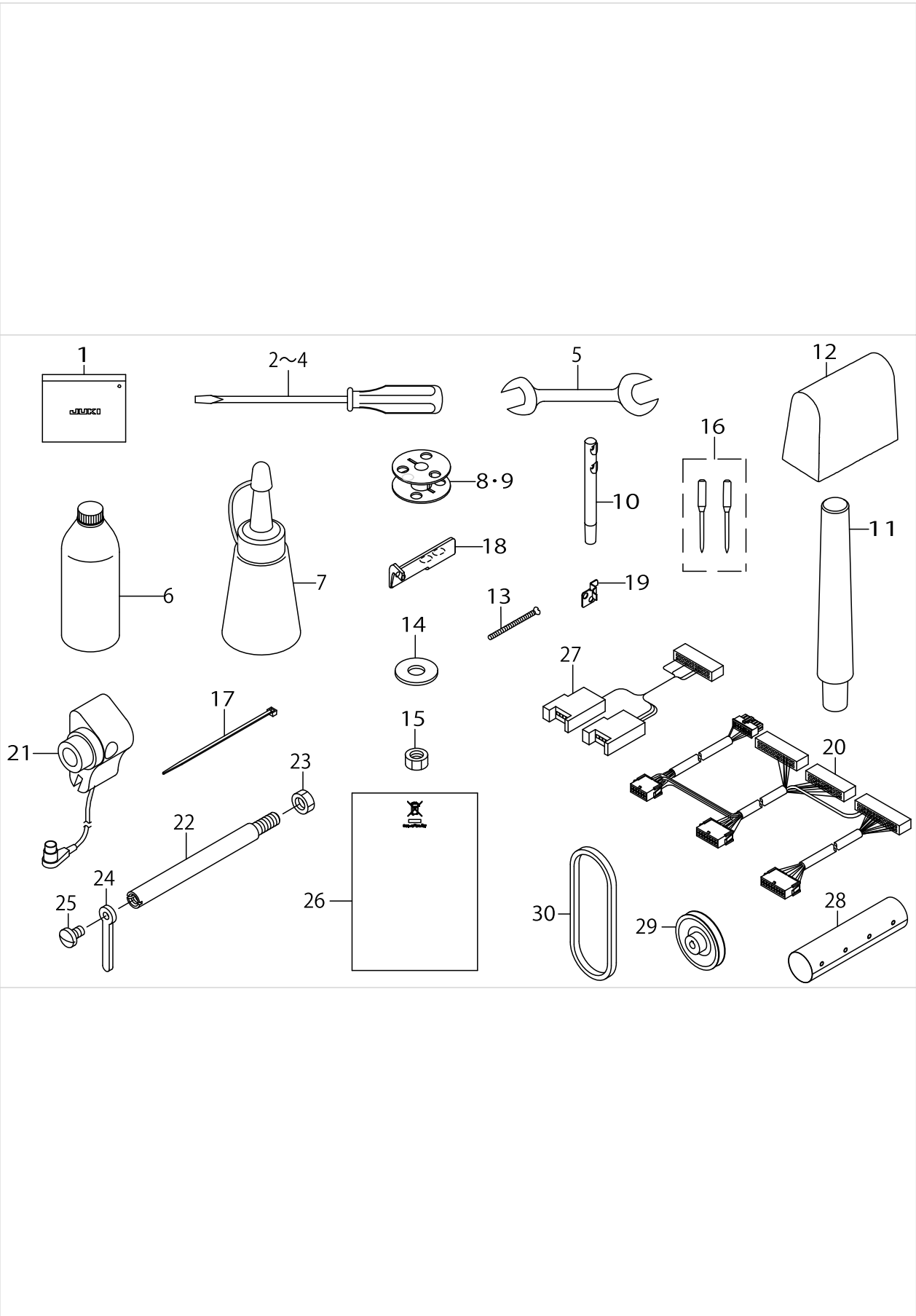
OPTION & GAUGE COMPONENTS



OPTION & GAUGE COMPONENTS

| No. | Supply Code | Parts No. | Replacement | Parts name | Remarks | Choice | Step | Level | Cons | Qty | Rep. QTY |
|-----|-------------|-------------|-------------|--------------------------------|----------------|--------|------|-------|------|-----|----------|
| 1 | | 21434956 | | LS-1342 BINDER SET | FOR LS-1342 | | | | | 1 | |
| 2 | | 21427406 | | THROAT PLATE | | | | * | | 1 | |
| 3 | | MAQ14302000 | | FEED PLATE A ASM. | | | | * | | 1 | |
| 4 | | MAQ14303000 | | FEED PLATE B | | | | * | | 1 | |
| 5 | | MAQ09205000 | | BINDER LOCK NUT | | | | * | | 2 | |
| 6 | | MAQ09204000 | | BINDER SETSCREW | | | | * | | 2 | |
| 7 | | SS7110510SP | | SCREW 11/64-40 L=5 | | | | * | | 2 | |
| 8 | | SS7110510SP | | SCREW 11/64-40 L=5 | | | | * | | 1 | |
| 9 | | MAQ09206000 | | TAPE GUIDE | | | | * | | 1 | |
| 10 | | SD0721112SN | | HINGE SCREW D=7.24 H=11.1 | | | | * | | 1 | |
| 11 | | 21232004 | | SPRING | | | | * | | 1 | |
| 12 | | MAQ14306000 | | FEED | | | | * | | 1 | |
| 13 | | 21445200 | | VERTICAL FEE CAM | | | | * | | 1 | |
| 14 | | 21445150 | | PRESSER FOOT ASM. | | | | * | | 1 | |
| 15 | | 21445051 | | PRESSER FOOT ASM. | | | | * | | 1 | |
| 16 | | 21225404 | | FEED | FOR LS-1342 | | | | | 1 | |
| 17 | | B91013400A0 | | EDGE GUIDE ASM. | | | | | | 1 | |
| 18 | | MAM22709000 | | SCREW | | | | | | 2 | |
| 19 | | WP0551016SH | | WASHER 5.5X13X1 | | | | | | 2 | |
| 20 | | B9104340000 | | FIXING BINDER FITTING PLATE. | | | | | | 1 | |
| 21 | | 21445507 | | FEED DOG | | | | | | 1 | |
| 22 | | 21445408 | | PRESSER FOOT | | | | | | 1 | |
| 23 | | SM6040552TP | | SCREW M4 L=4.5 | | | | | | 1 | |
| 24 | | 21445853 | | INNER PRESSER 3/16 ASM. | OPTIONAL PARTS | | | | | 1 | |
| 25 | | 21445952 | | WELDING INNER PRESSER 1/4 ASM. | OPTIONAL PARTS | | | | | 1 | |
| 26 | R | 21445804 | 21445853 | WELDING INNER PRESSER 3/16 | | | | * | | 1 | 1.00 |
| 27 | | 21445903 | | WELDING INNER PRESSER 1/4 | | | | * | | 1 | |
| 28 | | SM6040552TP | | SCREW M4 L=4.5 | | | | * | | 1 | |
| 29 | | SM6040552TP | | SCREW M4 L=4.5 | | | | * | | 1 | |
| 30 | | 21446158 | | OUTER PRESSER 3/16 ASM. | OPTIONAL PARTS | | | | | 1 | |
| 31 | | 21446059 | | WELDING OUTER PRESSER 1/4 ASM. | OPTIONAL PARTS | | | | | 1 | |
| 32 | | 21446109 | | WELDING OUTER PRESSER 3/16 | | | | * | | 1 | |
| 33 | | 21446000 | | WELDING OUTER PRESSER 1/4 | | | | * | | 1 | |
| 34 | | 23034002 | | FINGER GUARD | | | | * | | 1 | |
| 35 | | 23034002 | | FINGER GUARD | | | | * | | 1 | |

ACCESSORIES PARTS COMPONENTS



ACCESSORIES PARTS COMPONENTS

| No. | Supply Code | Parts No. | Replacement | Parts name | Remarks | Choice | Step | Level | Cons | Qty | Rep. QTY |
|-----|-------------|-------------|-------------|------------------------------|---------------|--------|------|-------|------|-----|----------|
| 1 | R | B9101552000 | 22932800 | ACCESSORY BOX | | | | | | 1 | 1.00 |
| 2 | | 22933006 | | SCREW DRIVER LARGE | | | | | | 1 | |
| 3 | | 22933105 | | SCREW DRIVER MIDDLE | | | | | | 1 | |
| 4 | | 22933204 | | SCREW DRIVER SMALL | | | | | | 1 | |
| 5 | | B9113012000 | | WRENCH (9X10) | | | | | | 1 | |
| 6 | | MDFRX2700C0 | | NEW DEFRIX OIL NO.2(700CC) | | | | | | 1 | |
| 7 | | J1067000000 | | OILER | | | | | | 1 | |
| 8 | | B9117201000 | | BOBBIN | FOR LS-1342 | | | | | 1 | |
| 9 | | 10759603 | | ALUMINUM BOBBIN (DOUBLE-CUT) | FOR LS-1342-7 | | | | | 1 | |
| 10 | | 22958300 | | NEEDLE THREAD GUIDE PIN | FOR LS-1342 | | | | | 1 | |
| 11 | | B820424500A | | FRAME SUPPORT BAR | | | | | | 1 | |
| 12 | | 40048536 | | HEAD_COVER | | | | | | 1 | |
| 13 | | B9130245000 | | BOLT | | | | | | 4 | |
| 14 | | WP0751576SD | | WASHER 7.5X19X1.5 | | | | | | 4 | |
| 15 | | NM6060001SD | | NUT M6 | | | | | | 4 | |
| 16 | | M13517B1602 | | NEEDLE 135X17 #160-2 | | | | | | 1 | |
| 17 | | EA9500B0100 | | CABLE BAND | FOR LS-1342-7 | | | | | 3 | |
| 18 | | 21440102 | | FIXING KNIFE | FOR LS-1342-7 | | | | | 1 | |
| 19 | | 21440201 | | CLAMP PLATE | FOR LS-1342-7 | | | | | 1 | |
| 20 | | 40101742 | | RELAY CORD ASM. | FOR LS-1342-7 | | | | | 1 | |
| 21 | | 40026920 | | SYNCHRONIZER ASM | FOR LS-1342 | | | | | 1 | |
| 22 | | D7101245E00 | | SYNCHRONIZER HOLDER STUD | FOR LS-1342 | | | | | 1 | |
| 23 | | NS6150430SP | | NUT 15/64-28 | FOR LS-1342 | | | | | 1 | |
| 24 | | B9109246000 | | DETECTOR SUPPORT PLATE | FOR LS-1342 | | | | | 1 | |
| 25 | | SS7110710SP | | SCREW 11/64-40 L=7 | FOR LS-1342 | | | | | 1 | |
| 26 | | CM600100201 | | WEEE INFORMATION SHEET | | | | | | 1 | |
| 27 | | 40105868 | | CONVERSION CORD ASM. | FOR LS-1342 | | | | | 1 | |
| 28 | | 40102736 | | BUTTON TUBE | FOR LS-1342-7 | | | | | .35 | |
| 29 | | MTSP00800B0 | | MOTOR PULLEY ASM. 80 | FOR LS-1342-7 | | | | | 1 | |
| 30 | | MTJVH00530A | | V BELT 53INCH | FOR LS-1342-7 | | | | | 1 | |

LIST FOR INFORMATION OF CHANGE

As to the place changed, refer to the corresponding Rev.No.
 When previous parts(Obsoleted part)and new parts(Added parts)are
 not interchangeable with each other:
 In this case, even obsoleted parts(D.) can be ordered with the
 obsoleted part number, so select the parts with changed dates and
 place your orders.

変更箇所は、該当Rev.No.版をご参照ください。
 部品の互換性がない変更の場合は、削除された品番でも、ご注文できます。

29351301
 No.1314-10・・・Rev.No.

*A:Added parts追加部品/D:Obsoleted parts削除部品/E:Erratum訂正

| * | Rev. No. | Page 頁 | Ref. No. | Parts No. 品番 | * | Rev. No. | Page 頁 | Ref. No. | Parts No. 品番 | |
|---|-------------|-----------|-------------|-----------------|---------------|-------------|-----------|-------------|-----------------|---------------|
| | D | 09 | 8 | 19 | EA-9500B02-00 | A | 10 | 8 | 19 | A4078-550-00A |
| | D | 09 | 10 | 51 | B1309-055-000 | A | 10 | 10 | 51 | 401-13224 |
| | D | 09 | 23 | - | No.2~No.24 | | | | | |
| | D | 09 | 23 | - | No.26~No.34 | | | | | |
| | | | | | | | | | | |
| | | | | | | | | | | |
| | | | | | | | | | | |
| | | | | | | | | | | |
| | | | | | | | | | | |
| | | | | | | | | | | |
| | | | | | | | | | | |
| | | | | | | | | | | |
| | | | | | | | | | | |
| | | | | | | | | | | |
| | | | | | | | | | | |
| | | | | | | | | | | |
| | | | | | | | | | | |
| | | | | | | | | | | |
| | | | | | | | | | | |
| | | | | | | | | | | |
| | | | | | | | | | | |
| | | | | | | | | | | |
| | | | | | | | | | | |
| | | | | | | | | | | |
| | | | | | | | | | | |
| | | | | | | | | | | |
| | | | | | | | | | | |
| | | | | | | | | | | |

HOW TO MAKE USE OF THIS PARTS LIST

1.Explanation of codes

1)"*"mark.....means this part is changed from the previous parts book.

As to the details of the change, refer to the "List for information of change".

2)"#01".....refer to "Note" explanation at bottom of page.

2.Codes on the "Qty" column

- Each numeral indicates the number of parts required.
- "0.1" and "2.5" indicate the length (in meters) of the respective parts.

3.Parentheses mean that the corresponding part is a subpart that constructs an assembly part.

4.Dotted lines on the Figures indicate assembly parts.

1."注記"欄の記号説明

1) "*"印.....前回のパーツブックに比較して今回変更された部品を意味します。

変更内容は、"変更情報リスト"を参照してください。

2) "#01".....ページ下の"注記"の説明を参照してください。

2.数量欄の数字は、個数を表し、0.1、2.5等の数値は、長さ（単位メートル）を表します。

3.数量欄の（ ）は、組部品を構成している子部品であることを意味します。

4.イラストページの-----枠は、組構成であることを意味します。

NUMERICAL INDEX OF PARTS

| PART NO | PAGE | REF NO. | PART NO | PAGE | REF NO. | PART NO | PAGE | REF NO. |
|----------|------|---------|----------|------|---------|----------|------|---------|
| 10124204 | 42 | 13 | 21331301 | 2 | 4 | 21345905 | 48 | 4 |
| 10201200 | 4 | 74 | 21331608 | 2 | 18 | 21346002 | 48 | 18 |
| 10205201 | 16 | 16 | 21331806 | 4 | 78 | 21346101 | 48 | 34 |
| 10320109 | 42 | 3 | 21332002 | 2 | 13 | 21346200 | 48 | 33 |
| 10321107 | 42 | 24~26 | 21332309 | 2 | 16 | 21346309 | 48 | 6 |
| 10502300 | 44 | 21 | 21332507 | 6 | 12 | 21346358 | 48 | 5 |
| 10503605 | 24 | 53 | 21332705 | 6 | 1 | 21346408 | 48 | 8 |
| 10509701 | 10 | 22 | 21333000 | 6 | 2 | 21346507 | 48 | 7 |
| 10604809 | 6 | 40 | 21333109 | 6 | 17 | 21347000 | 48 | 14 |
| 10618304 | 44 | 8 | 21333505 | 24 | 46·60 | 21347109 | 10 | 13 |
| 10622009 | 2 | 8·68 | 21334008 | 6 | 37 | 21347208 | 48 | 16 |
| 10704807 | 44 | 19 | 21336300 | 18 | 75 | 21348206 | 42 | 24~26 |
| 10713501 | 12 | 75 | 21336508 | 6 | 20 | 21348503 | 30 | 6 |
| 10713600 | 12 | 84 | 21336557 | 6 | 19 | 21348602 | 30 | 4 |
| 10713758 | 12 | 83 | 21336607 | 18 | 68 | 21348701 | 30 | 8 |
| 10713808 | 14 | 97 | 21336656 | 18 | 67 | 21348909 | 2 | 12 |
| 10714202 | 12 | 70 | 21336706 | 18 | 72 | 21349105 | 30 | 22 |
| 10714608 | 12 | 85 | 21337308 | 18 | 54 | 21351002 | 50 | 3 |
| 10715100 | 12 | 60 | 21337605 | 18 | 56 | 21351101 | 50 | 2 |
| 10715308 | 12 | 66 | 21337803 | 12 | 49 | 21351150 | 50 | 1 |
| 10715704 | 12 | 62 | 21337803 | 18 | 48 | 21351200 | 50 | 4 |
| 10716504 | 12 | 76 | 21337902 | 18 | 52 | 21353008 | 6 | 22 |
| 10718203 | 12 | 69 | 21338207 | 18 | 73 | 21355706 | 44 | 24 |
| 10722908 | 22 | 19 | 21338603 | 8 | 16 | 21355755 | 44 | 23 |
| 10723104 | 22 | 20 | 21338702 | 8 | 14 | 21355904 | 2 | 6 |
| 10741106 | 42 | 14 | 21338801 | 8 | 19 | 21356001 | 44 | 6 |
| 10759603 | 24 | 62·83 | 21338900 | 8 | 18 | 21356308 | 40 | 11 |
| 10759603 | 56 | 8·9 | 21339106 | 6 | 9 | 21356407 | 40 | 12 |
| 10774305 | 12 | 58 | 21339304 | 8 | 23 | 21356506 | 40 | 3 |
| 10774354 | 12 | 57 | 21339502 | 6 | 15 | 21356704 | 40 | 9 |
| 10774404 | 12 | 59 | 21339601 | 12 | 71 | 21356803 | 40 | 7 |
| 13138201 | 42 | 8 | 21339700 | 14 | 94 | 21357959 | 44 | 3 |
| 13160304 | 46 | 32 | 21339809 | 12 | 79 | 21357967 | 44 | 1 |
| 13515606 | 30 | 16 | 21340005 | 12 | 87 | 21358205 | 44 | 9 |
| 14512503 | 44 | 17 | 21340302 | 12 | 90 | 21363106 | 36 | 3 |
| 17912106 | 2 | 26 | 21340401 | 10 | 1 | 21378302 | 10 | 5 |
| 21048707 | 12 | 88 | 21340500 | 10 | 2 | 21378708 | 44 | 29 |
| 21048707 | 16 | 17 | 21340708 | 48 | 11 | 21387402 | 16 | 21 |
| 21220413 | 4 | 49 | 21340906 | 10 | 42 | 21388004 | 18 | 80 |
| 21223409 | 22 | 37 | 21341151 | 12 | 46 | 21388509 | 40 | 6 |
| 21223508 | 22 | 40 | 21341508 | 12 | 68 | 21402102 | 6 | 3 |
| 21225404 | 54 | 16 | 21341607 | 12 | 65 | 21402300 | 6 | 27 |
| 21227301 | 24 | 82·85 | 21345707 | 48 | 2 | 21405204 | 8 | 2 |
| 21231204 | 24 | 32·68 | 21345756 | 48 | 1 | 21405709 | 46 | 8 |
| 21232004 | 54 | 11 | 21345806 | 48 | 3 | 21406103 | 12 | 48 |

NUMERICAL INDEX OF PARTS

| PART NO | PAGE | REF NO. | PART NO | PAGE | REF NO. | PART NO | PAGE | REF NO. |
|----------|------|---------|----------|------|---------|----------|------|---------|
| 21406509 | 10 | 28 | 21432851 | 46 | 1 | 21440102 | 56 | 18 |
| 21406608 | 14 | 92 | 21433008 | 46 | 5 | 21440201 | 28 | 40 |
| 21407200 | 18 | 83 | 21433107 | 46 | 7 | 21440201 | 56 | 19 |
| 21407309 | 18 | 87 | 21433206 | 46 | 14 | 21440300 | 28 | 42 |
| 21407309 | 20 | 87 | 21433305 | 46 | 22 | 21440508 | 28 | 19 |
| 21407408 | 16 | 45 | 21433354 | 46 | 20 | 21440607 | 28 | 36 |
| 21407507 | 48 | 22 | 21433404 | 46 | 27 | 21441050 | 42 | 2 |
| 21407606 | 48 | 23 | 21433503 | 46 | 29 | 21441100 | 42 | 17 |
| 21407705 | 48 | 24 | 21433800 | 48 | 28 | 21441209 | 36 | 7 |
| 21426309 | 4 | 66 | 21434402 | 50 | 11 | 21441308 | 36 | 8 |
| 21426408 | 4 | 67 | 21434451 | 50 | 10 | 21441407 | 36 | 1 |
| 21426507 | 4 | 65 | 21434501 | 50 | 12 | 21441605 | 24 | 46·60 |
| 21426606 | 4 | 47 | 21434956 | 54 | 1 | 21441753 | 22 | 16·17 |
| 21426705 | 2 | 33 | 21435102 | 16 | 1 | 21441803 | 22 | 18 |
| 21426754 | 2 | 32 | 21435458 | 22 | 16·17 | 21442207 | 22 | 6 |
| 21426853 | 2 | 36 | 21435508 | 22 | 28 | 21442306 | 22 | 8 |
| 21426903 | 2 | 35 | 21435656 | 22 | 29 | 21442405 | 22 | 9 |
| 21427000 | 6 | 31 | 21435706 | 22 | 31 | 21442603 | 32 | 3 |
| 21427059 | 6 | 30 | 21435854 | 22 | 1·2 | 21442702 | 32 | 4 |
| 21427109 | 6 | 26 | 21435953 | 22 | 3 | 21442900 | 32 | 6 |
| 21427208 | 24 | 45 | 21437009 | 4 | 50 | 21443007 | 32 | 7 |
| 21427307 | 24 | 43 | 21437108 | 4 | 77 | 21443106 | 32 | 8 |
| 21427406 | 54 | 2 | 21437207 | 2 | 9 | 21443205 | 32 | 9 |
| 21427604 | 16 | 30 | 21437306 | 4 | 76 | 21443809 | 32 | 10 |
| 21427703 | 16 | 35 | 21437405 | 4 | 70 | 21444500 | 12 | 51 |
| 21428305 | 16 | 38 | 21437702 | 22 | 32·68 | 21444559 | 12 | 50 |
| 21428404 | 16 | 41 | 21438007 | 8 | 12 | 21444609 | 12 | 55 |
| 21428503 | 16 | 40 | 21438106 | 38 | 15 | 21444658 | 12 | 54 |
| 21429006 | 16 | 7 | 21438205 | 12 | 73 | 21444708 | 12 | 56 |
| 21429105 | 16 | 11 | 21438403 | 38 | 3 | 21445051 | 54 | 15 |
| 21429204 | 16 | 18 | 21438502 | 38 | 5 | 21445150 | 54 | 14 |
| 21429402 | 22 | 33 | 21438601 | 38 | 8 | 21445200 | 54 | 13 |
| 21429600 | 16 | 20 | 21438700 | 38 | 10 | 21445408 | 54 | 22 |
| 21429709 | 16 | 14 | 21439005 | 28 | 1 | 21445507 | 54 | 21 |
| 21430004 | 8 | 27 | 21439104 | 28 | 9 | 21445804 | 54 | 26·27 |
| 21430053 | 8 | 26 | 21439203 | 28 | 11 | 21445853 | 54 | 24·25 |
| 21430103 | 8 | 29 | 21439302 | 28 | 14 | 21445903 | 54 | 26·27 |
| 21430202 | 18 | 59 | 21439401 | 28 | 17 | 21445952 | 54 | 24·25 |
| 21430301 | 18 | 61 | 21439500 | 28 | 18 | 21446000 | 54 | 32·33 |
| 21430400 | 16 | 22 | 21439609 | 28 | 21 | 21446059 | 54 | 30·31 |
| 21431200 | 24 | 86 | 21439708 | 28 | 23 | 21446109 | 54 | 32·33 |
| 21431457 | 22 | 1·2 | 21439807 | 28 | 25 | 21446158 | 54 | 30·31 |
| 21432505 | 46 | 16 | 21439906 | 28 | 27 | 22537658 | 44 | 2 |
| 21432604 | 46 | 10 | 21440003 | 28 | 30 | 22538151 | 44 | 4 |
| 21432703 | 46 | 3 | 21440102 | 28 | 38 | 22538706 | 44 | 32 |

NUMERICAL INDEX OF PARTS

| PART NO | PAGE | REF NO. | PART NO | PAGE | REF NO. | PART NO | PAGE | REF NO. |
|----------|------|---------|----------|------|---------|-------------|------|---------|
| 22603112 | 2 | 22 | 23100506 | 4 | 48 | 40081969 | 18 | 85 |
| 22604904 | 6 | 24 | 23102205 | 24 | 82·85 | 40081970 | 18 | 82 |
| 22605406 | 6 | 4 | 23102403 | 22 | 25 | 40090318 | 4 | 52 |
| 22606206 | 6 | 43 | 23102601 | 24 | 63·84 | 40090323 | 4 | 54 |
| 22617906 | 42 | 9 | 23102700 | 22 | 41 | 40090530 | 24 | 70 |
| 22618201 | 42 | 7 | 23102809 | 22 | 26 | 40090727 | 18 | 47 |
| 22619100 | 4 | 75 | 23104201 | 28 | 3 | 40091242 | 16 | 27 |
| 22656003 | 30 | 14 | 23636202 | 44 | 5 | 40091243 | 16 | 3 |
| 22656102 | 30 | 12 | 26225201 | 10 | 29 | 40091244 | 16 | 25 |
| 22814008 | 22 | 23 | 26910059 | 52 | 2 | 40091245 | 16 | 26 |
| 22814909 | 8 | 25 | 40016798 | 2 | 1 | 40091248 | 16 | 23 |
| 22901805 | 2 | 45 | 40018339 | 10 | 16 | 40091250 | 16 | 5 |
| 22904106 | 10 | 7 | 40018340 | 14 | 96 | 40091254 | 16 | 6 |
| 22904155 | 10 | 6 | 40018341 | 10 | 23 | 40091315 | 16 | 9 |
| 22907604 | 10 | 43 | 40019114 | 2 | 3 | 40091899 | 24 | 73·74 |
| 22911804 | 18 | 63 | 40019926 | 18 | 57 | 40091908 | 24 | 71·72 |
| 22912000 | 18 | 65 | 40023289 | 30 | 17 | 40094670 | 4 | 57 |
| 22912109 | 18 | 66 | 40024852 | 10 | 33 | 40094671 | 4 | 56 |
| 22921308 | 42 | 12 | 40024855 | 6 | 39 | 40095001 | 4 | 58 |
| 22921407 | 42 | 11 | 40025035 | 40 | 20 | 40096354 | 52 | 1 |
| 22932404 | 46 | 18 | 40025036 | 40 | 18 | 40101742 | 56 | 20 |
| 22932453 | 46 | 17 | 40025300 | 50 | 18 | 40102061 | 32 | 5 |
| 22933006 | 56 | 2~4 | 40026920 | 56 | 21 | 40102062 | 32 | 1 |
| 22933105 | 56 | 2~4 | 40027746 | 8 | 24 | 40102064 | 32 | 35 |
| 22933204 | 56 | 2~4 | 40029246 | 24 | 75·76 | 40102066 | 32 | 34 |
| 22934202 | 46 | 25 | 40029248 | 24 | 75·76 | 40102736 | 56 | 28 |
| 22934301 | 46 | 26 | 40029250 | 24 | 73·74 | 40103197 | 32 | 14 |
| 22934400 | 46 | 24 | 40029253 | 24 | 71·72 | 40103198 | 32 | 16 |
| 22934509 | 46 | 23 | 40033026 | 10 | 12 | 40103925 | 42 | 1 |
| 22934707 | 46 | 19 | 40033027 | 10 | 11 | 40105868 | 56 | 27 |
| 22945505 | 42 | 15 | 40033029 | 10 | 19 | 40107618 | 32 | 30 |
| 22945505 | 44 | 27 | 40033031 | 10 | 40 | 40107949 | 10 | 31 |
| 22945703 | 42 | 16 | 40033032 | 10 | 39 | 40108542 | 12 | 61 |
| 22945703 | 44 | 30 | 40033033 | 10 | 24 | 40108674 | 2 | 20 |
| 22951552 | 4 | 69 | 40038711 | 18 | 86 | 40113092 | 44 | 28 |
| 22952501 | 30 | 18 | 40038712 | 18 | 50 | 40113224 | 24 | 51 |
| 22958300 | 56 | 10 | 40038722 | 32 | 27 | A407855000A | 16 | 19 |
| 23002009 | 8 | 1 | 40038723 | 32 | 29 | B1116246000 | 4 | 62 |
| 23006406 | 42 | 24~26 | 40039326 | 10 | 4 | B1117246000 | 4 | 60 |
| 23026008 | 22 | 30 | 40039838 | 2 | 24 | B1132521000 | 2 | 27 |
| 23026404 | 22 | 24 | 40039839 | 2 | 25 | B1148555000 | 44 | 11 |
| 23026701 | 22 | 22 | 40048536 | 56 | 12 | B1203051000 | 48 | 29 |
| 23026800 | 22 | 21 | 40049415 | 10 | 38 | B1203512000 | 6 | 29 |
| 23027402 | 22 | 27 | 40062388 | 36 | 5 | B1210051000 | 6 | 10 |
| 23034002 | 54 | 34·35 | 40075553 | 12 | 81 | B1214019000 | 24 | 47 |

NUMERICAL INDEX OF PARTS

| PART NO | PAGE | REF NO. | PART NO | PAGE | REF NO. | PART NO | PAGE | REF NO. |
|--------------|------|---------|--------------|------|---------|-------------|------|---------|
| B1301340000 | 22 | 35 | B31370510A0 | 42 | 5 | EA9500B0100 | 10 | 36 |
| B1305055000A | 24 | 48 | B3138512000 | 2 | 30 | EA9500B0100 | 56 | 17 |
| B1307055000 | 24 | 49 | B3205210000 | 44 | 10 | GAK29009000 | 32 | 31 |
| B1308055000 | 24 | 50 | B3416552000 | 12 | 77 | GAK29010000 | 32 | 37 |
| B1310055000 | 24 | 52 | B8131019000 | 46 | 31 | GAKA1503000 | 32 | 38 |
| B1314055000 | 24 | 54 | B8202205000 | 50 | 17 | GAKA2302A00 | 32 | 17 |
| B1401246000 | 8 | 5 | B820424500A | 56 | 11 | GAKA2302C00 | 32 | 36 |
| B1410771000 | 8 | 21 | B91013400A0 | 54 | 17 | HK034610120 | 28 | 7 |
| B1411057000 | 8 | 9 | B9101552000 | 56 | 1 | HK034610180 | 32 | 40 |
| B14110570A0 | 8 | 6 | B9104340000 | 54 | 20 | HK03464000A | 32 | 39 |
| B1412051000 | 8 | 8 | B9109246000 | 56 | 24 | HK03464000B | 28 | 6 |
| B1412051000 | 48 | 19 | B9113012000 | 56 | 5 | HK03464000B | 36 | 6 |
| B1414232000 | 8 | 22 | B9117201000 | 24 | 62·83 | HX00123000A | 4 | 82 |
| B1414555000 | 10 | 21 | B9117201000 | 56 | 8·9 | HX002950000 | 30 | 23 |
| B1418552A00 | 8 | 31 | B9130245000 | 56 | 13 | HX002950000 | 32 | 44 |
| B1418761000 | 18 | 69 | BT0500300EA | 24 | 59 | HX002950000 | 34 | 44 |
| B1462053000 | 12 | 47 | BT0500300EA | 48 | 21 | HX00295000A | 34 | 45 |
| B14670530A0 | 10 | 25 | BT0600401EB | 32 | 43 | HX00295000A | 40 | 15 |
| B1468053000 | 10 | 26 | BT0600401EB | 34 | 43 | HX00295000B | 32 | 41 |
| B1501141H00 | 10 | 37 | CM300200001 | 2 | 44 | HX00295000B | 40 | 16 |
| B1502246000 | 10 | 44 | CM300200001 | 40 | 17 | HX00295000C | 32 | 42 |
| B152652700G | 12 | 63 | CM301300001 | 2 | 42 | HX00295000C | 34 | 42 |
| B152989000CA | 44 | 7 | CM600100201 | 56 | 26 | HX00295000C | 38 | 14 |
| B1607246000 | 16 | 31 | CQ202000000 | 6 | 18 | HX00354000N | 32 | 11 |
| B1639051000 | 22 | 39 | CQ202000000 | 18 | 70 | J1067000000 | 56 | 7 |
| B1803246000 | 26 | 90 | CQ202000000 | 26 | 87 | M13517B1600 | 8 | 11 |
| B1806038000 | 16 | 36 | CQ202000000 | 48 | 32 | M13517B1602 | 56 | 16 |
| B1820246000 | 24 | 77~81 | CQ252000000 | 10 | 35 | M40071100AA | 6 | 33 |
| B182024600A | 24 | 77~81 | CQ252000000 | 48 | 20 | M40071100AB | 6 | 34 |
| B182024600B | 24 | 77~81 | CQ3000000F0 | 10 | 15 | MAM22709000 | 54 | 18 |
| B182024600C | 24 | 77~81 | CQ303000000 | 6 | 7 | MAQ09204000 | 54 | 6 |
| B182024600D | 24 | 77~81 | CQ505000000 | 6 | 11 | MAQ09205000 | 54 | 5 |
| B1826246000 | 24 | 65 | CS0950816SH | 28 | 8 | MAQ09206000 | 54 | 9 |
| B1827246000 | 24 | 64 | CS1111019SH | 16 | 33 | MAQ14302000 | 54 | 3 |
| B1836246000A | 26 | 88 | CS1111010CSH | 16 | 32 | MAQ14303000 | 54 | 4 |
| B185351200AA | 28 | 31~35 | CS1201010SH | 18 | 76 | MAQ14306000 | 54 | 12 |
| B185351200BA | 28 | 31~35 | CS1201011SH | 18 | 77 | MAT80230T00 | 40 | 22 |
| B185351200CA | 28 | 31~35 | D2112555B00 | 4 | 80 | MAT80231T00 | 40 | 21 |
| B185351200D | 28 | 31~35 | D3162555B00 | 42 | 21 | MAT80232T00 | 40 | 25 |
| B185351200E | 28 | 31~35 | D3162555B00 | 44 | 25 | MDFRX2700C0 | 56 | 6 |
| B1906051000 | 6 | 6 | D7101245E00 | 56 | 22 | MTJVH00530A | 56 | 30 |
| B3013141H0B | 4 | 61 | D8232241E00 | 50 | 5 | MTSP00800B0 | 56 | 29 |
| B3125012000 | 42 | 6 | EA9500B0000 | 10 | 14 | NM6030001SC | 32 | 12 |
| B3128520000 | 42 | 4 | EA9500B0000 | 48 | 27 | NM6030003SC | 2 | 34 |
| B3129526000 | 42 | 10 | EA9500B0100 | 8 | 30 | NM6040001SN | 36 | 10 |

NUMERICAL INDEX OF PARTS

| PART NO | PAGE | REF NO. | PART NO | PAGE | REF NO. | PART NO | PAGE | REF NO. |
|-------------|------|---------|-------------|------|---------|-------------|------|---------|
| NM6050001SD | 46 | 13 | SD0790701SP | 16 | 28 | SS1092810SP | 24 | 66 |
| NM6060001SD | 56 | 15 | SD0800352SP | 4 | 63 | SS2090520SL | 2 | 46 |
| NM6060003SC | 30 | 5 | SD0800352SP | 30 | 11 | SS2090710TP | 2 | 29 |
| NM6080001SE | 40 | 4 | SD0800402TP | 18 | 55 | SS3090610SP | 48 | 17 |
| NM6080721SE | 38 | 4 | SD0800402TP | 30 | 9 | SS4080620TP | 42 | 18 |
| NM7040062SB | 36 | 11 | SD0800481SP | 10 | 45 | SS4110815SP | 2 | 81 |
| NS6110310SP | 42 | 20 | SD0900701TP | 16 | 13 | SS4110815SP | 4 | 81 |
| NS6110310SP | 44 | 26 | SD1000801SH | 18 | 74 | SS4110815SP | 38 | 11 |
| NS6150430SP | 30 | 10 | SK3241601SC | 50 | 15 | SS4111215SP | 2 | 2 |
| NS6150430SP | 56 | 23 | SK3385001SE | 40 | 13 | SS4120615SP | 30 | 15 |
| NS6660430SP | 16 | 29 | SK3415001SE | 32 | 25 | SS4150915SP | 2 | 43 |
| PA320150200 | 30 | 1 | SK3482501SE | 32 | 26 | SS5090610SP | 2 | 21 |
| PA320200100 | 38 | 1 | SL4030631SC | 32 | 2 | SS5110710SP | 2 | 39 |
| PA400150100 | 40 | 1 | SL4040881SC | 10 | 34 | SS5110740TP | 50 | 9 |
| PF0552170A0 | 32 | 28 | SM1050801SR | 12 | 72 | SS6060220SP | 28 | 41 |
| PJ301065104 | 30 | 20 | SM4030601SC | 2 | 37 | SS6090520SP | 4 | 71 |
| PJ304065101 | 38 | 12 | SM4061001SB | 32 | 33 | SS6090520SP | 44 | 16 |
| PJ304065101 | 40 | 10 | SM6040552TP | 12 | 52 | SS6090620TP | 28 | 39 |
| PS0200102KH | 16 | 4 | SM6040552TP | 54 | 28·29 | SS6090620TP | 44 | 22 |
| PS0200102KH | 22 | 38 | SM6040602TP | 28 | 4 | SS6091022TP | 8 | 17 |
| PS0400222K0 | 46 | 6 | SM6040800SP | 44 | 31 | SS6110480SP | 28 | 37 |
| PS0600502KP | 42 | 22 | SM6044002TP | 38 | 2 | SS6110480SP | 48 | 10 |
| PX015101000 | 30 | 21 | SM6051002TP | 40 | 8 | SS6110610TP | 16 | 24 |
| PX015101000 | 38 | 13 | SM6051202TP | 24 | 61·69 | SS6110630TP | 12 | 64 |
| RC0560711KP | 44 | 12 | SM6051402TP | 12 | 67 | SS6110710TP | 28 | 10 |
| RE0500000K0 | 12 | 78 | SM6051552TP | 46 | 30 | SS6110810TP | 44 | 18 |
| RE0500000K0 | 44 | 13 | SM6051602TP | 46 | 28 | SS6111010SP | 48 | 25 |
| RE0800000K0 | 12 | 89 | SM6052002TP | 14 | 91 | SS6111140SP | 4 | 79 |
| RE0900000K0 | 18 | 79 | SM6052002TP | 46 | 11 | SS6111210SP | 6 | 36 |
| RO092270200 | 18 | 64 | SM6061602TP | 30 | 2 | SS6111610SP | 18 | 58 |
| RO092270200 | 44 | 14 | SM6061802TP | 18 | 60 | SS6111610SP | 38 | 9 |
| SD0380551SL | 2 | 28 | SM6062502TP | 46 | 2 | SS6120930TP | 18 | 81 |
| SD0470281SP | 42 | 19 | SM6081552TP | 4 | 64 | SS6121210SP | 28 | 29 |
| SD0600321SP | 28 | 16 | SM6082002TP | 40 | 2 | SS6121210SP | 46 | 15 |
| SD0600352SP | 28 | 15 | SM8040402TP | 4 | 55 | SS6121220TP | 16 | 8 |
| SD0600403TP | 38 | 6 | SM8050402TP | 16 | 15 | SS6121610TP | 16 | 39 |
| SD0600452TP | 28 | 12 | SM8050602TP | 12 | 86 | SS6121850TP | 16 | 12 |
| SD0600454TP | 38 | 7 | SM8050602TP | 44 | 20 | SS6121860SP | 18 | 62 |
| SD0640322TP | 24 | 57 | SM8050612TP | 18 | 71 | SS6151040SP | 28 | 2 |
| SD0640451TP | 28 | 28 | SM8052502TP | 46 | 12 | SS6151040SP | 40 | 14 |
| SD0640631TP | 28 | 26 | SM8060602TP | 6 | 28 | SS6151210SP | 28 | 22 |
| SD0720331SP | 40 | 5 | SM8080802TP | 8 | 20 | SS6151220SP | 40 | 23 |
| SD0721112SN | 54 | 10 | SM8080812TP | 6 | 14 | SS6151440SP | 50 | 14 |
| SD0790451SP | 28 | 13 | SM9061203SE | 46 | 21 | SS6151780SP | 10 | 27 |
| SD0790451SP | 46 | 4 | SQ1110401MZ | 48 | 31 | SS6151920SP | 10 | 30 |

NUMERICAL INDEX OF PARTS

| PART NO | PAGE | REF NO. | PART NO | PAGE | REF NO. |
|-------------|------|---------|-------------|------|---------|
| SS6152440SP | 8 | 28 | SS8110422TP | 16 | 44 |
| SS6153040SP | 50 | 13 | SS8110422TP | 28 | 24 |
| SS6661110SP | 6 | 25 | SS8110710SP | 16 | 10 |
| SS6661110SP | 24 | 55 | SS8150432TH | 24 | 42 |
| SS7080510TP | 8 | 10 | SS8150510TP | 16 | 37 |
| SS7090520TP | 2 | 31 | SS8150710SP | 10 | 32 |
| SS7090910SP | 8 | 7 | SS8150710SP | 22 | 36 |
| SS7090910TP | 18 | 53 | SS8150710TP | 6 | 41 |
| SS7091110TP | 14 | 95 | SS8150710TP | 24 | 44 |
| SS7091110TP | 24 | 67 | SS8150822TP | 6 | 38 |
| SS7091410SP | 44 | 15 | SS8150822TP | 18 | 49 |
| SS7110410SP | 4 | 59 | SS8151150TP | 8 | 3 |
| SS7110510SP | 10 | 20 | SS8660610TP | 10 | 8 |
| SS7110510SP | 48 | 12 | SS8660610TP | 16 | 78 |
| SS7110510SP | 54 | 8 | SS8660610TP | 18 | 78 |
| SS7110570SP | 36 | 4 | SS8660612TP | 10 | 3 |
| SS7110710SL | 40 | 26 | SS8660612TP | 22 | 89 |
| SS7110710SP | 6 | 23 | SS8660612TP | 26 | 89 |
| SS7110710SP | 18 | 51 | SS8660612TP | 28 | 43 |
| SS7110710SP | 48 | 30 | SS8660810TP | 6 | 21 |
| SS7110710SP | 56 | 25 | SS8660810TP | 12 | 82 |
| SS7110830SP | 8 | 15 | SS9152130CP | 16 | 43 |
| SS7110830SP | 12 | 80 | TA0550604R0 | 2 | 38 |
| SS7110840SP | 16 | 2 | TA0550604R0 | 10 | 10 |
| SS7110840SP | 32 | 13 | TA0750404R0 | 2 | 11 |
| SS7110840SP | 50 | 8 | TA0750704R0 | 6 | 42 |
| SS7110910TP | 8 | 13 | TA1100604R0 | 2 | 41 |
| SS7110910TP | 10 | 41 | TA1250504R0 | 2 | 8-68 |
| SS7110910TP | 18 | 46 | TA1250504R0 | 4 | 8-68 |
| SS7110910TP | 36 | 2 | WP0320501SC | 50 | 16 |
| SS7110910TP | 42 | 23 | WP0450801SD | 6 | 35 |
| SS7111120TP | 12 | 74 | WP0480856SP | 40 | 19 |
| SS7111410SP | 40 | 24 | WP0482086SD | 36 | 13 |
| SS7111810SP | 30 | 19 | WP0501046SC | 10 | 18 |
| SS7112810SP | 4 | 51 | WP0501046SC | 36 | 12 |
| SS7113110SP | 4 | 53 | WP0551016SH | 54 | 19 |
| SS7120760SP | 30 | 13 | WP0612076SP | 50 | 19 |
| SS7120760SP | 48 | 35 | WP0621016SH | 16 | 42 |
| SS7150740SP | 14 | 93 | WP0641601SD | 30 | 3 |
| SS7150910TP | 2 | 19 | WP0751576SD | 56 | 14 |
| SS7151210SP | 30 | 7 | WT0530002KS | 4 | 73 |
| SS7621040SP | 2 | 7 | | | |
| SS8090540SP | 24 | 58 | | | |
| SS8110410TP | 26 | 91 | | | |
| SS8110410TP | 28 | 20 | | | |