

MODEL : AE-10/AE-15

List No : 1334-04

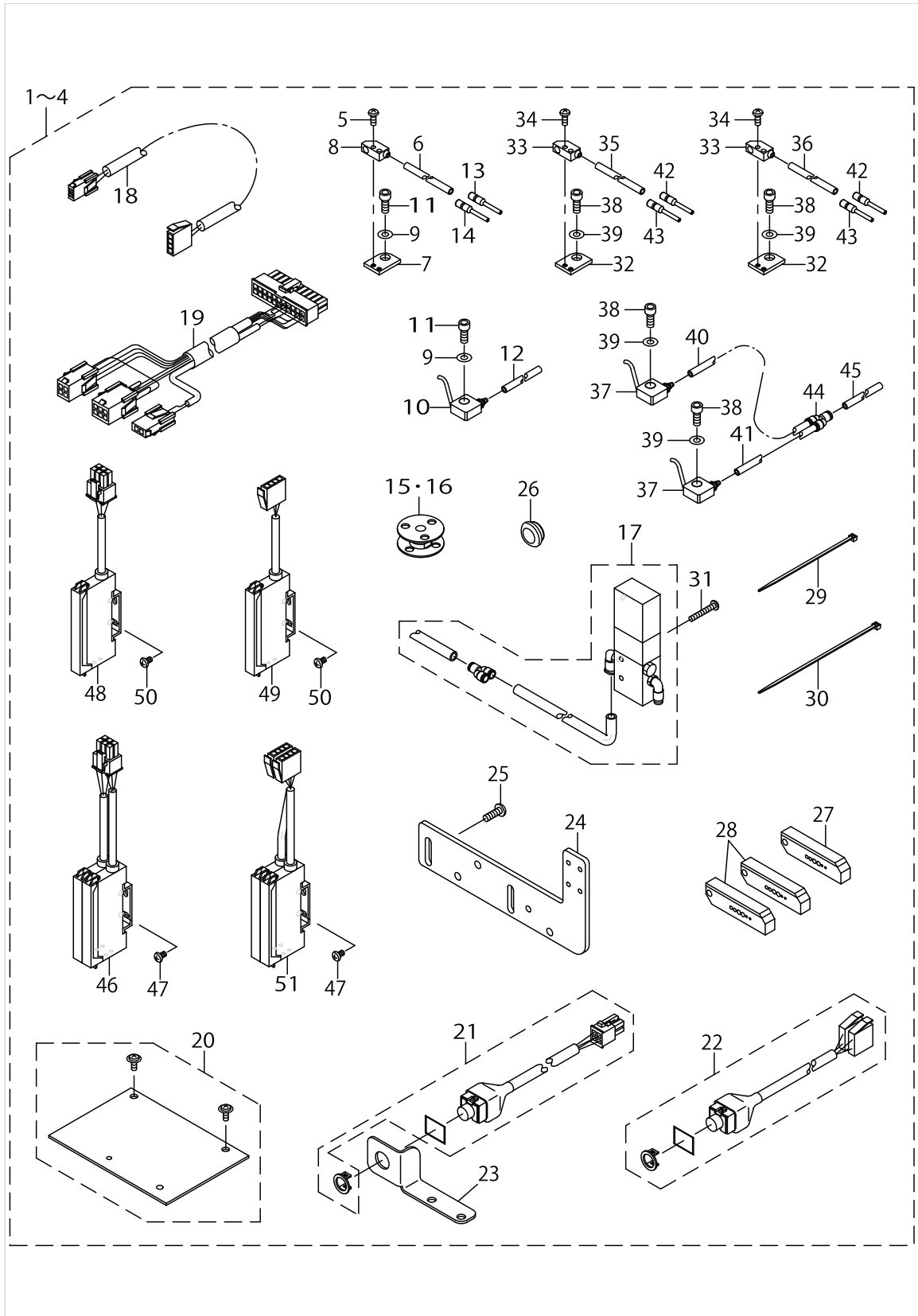
# PARTS LIST

Published:05/12/2017

## CONTENTS

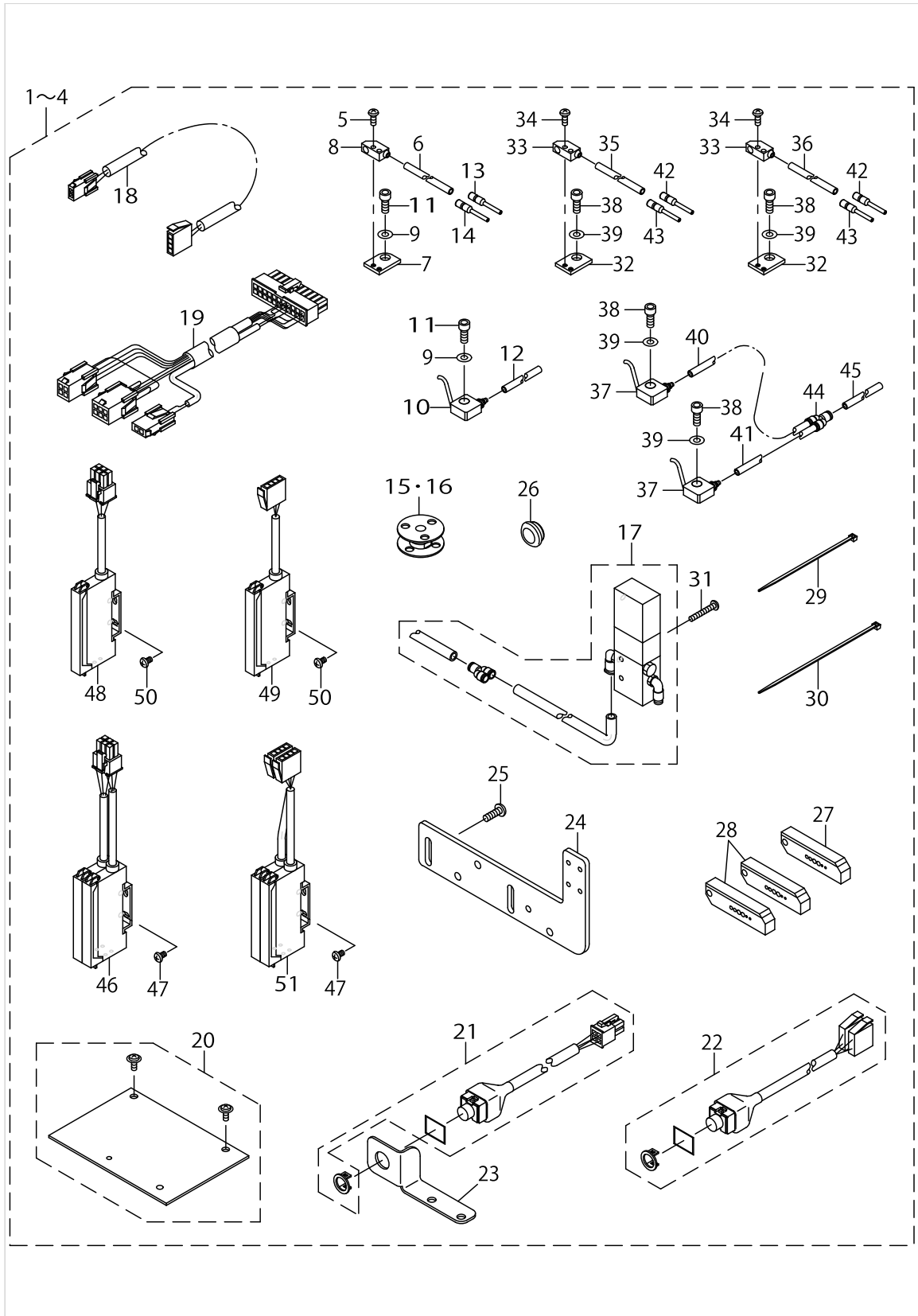
---

AE-10/AE-15.....	1
HOW TO MAKE USE OF THIS PARTS LIST .....	5



AE-10/AE-15

No.	Supply Code	Parts No.	Replacement	Parts name	Remarks	Choice	Step	Level	Cons	Qty	Rep. QTY
1		40029101		DETECTING DEVICE KIT E	FOR AE-10 KIT E					1	
2		40029102		DETECTING DEVICE KIT F	FOR AE-10 KIT F					1	
3		40102727		DETECTING DEVICE KIT G	FOR AE-15 KIT G					1	
4		40102728		DETECTING DEVICE KIT H	FOR AE-15 KIT H					1	
5		SM4860801SC		SCREW M2.6 L=8	FOR AE-10 KIT E,AE-15 KIT G			*		2	
6		BT0400251EB		URETHANE HOSE, BLACK	FOR AE-10 KIT E,AE-15 KIT G			*		1.7	
7		GAE10005000		SENSOR BRACKET	FOR AE-10 KIT E,AE-15 KIT G			*		1	
8		GAE10107000		FIBER SENSOR	FOR AE-10 KIT E,AE-15 KIT G			*		1	
9		WP0430800SC		WASHER M4	FOR AE-10 KIT E,AE-15 KIT G			*		2	
10		GAE100060A0		NOZZLE FITTING BASE ASM.	FOR AE-10 KIT E,AE-15 KIT G			*		1	
11		SM6041002TP		SCREW M4 L=10	FOR AE-10 KIT E,AE-15 KIT G			*		2	
12		BT0400251EB		URETHANE HOSE, BLACK	FOR AE-10 KIT E,AE-15 KIT G			*		1.7	
13		GAE10117000		FIBER ADAPTER A	FOR AE-10 KIT E,AE-15 KIT G			*		1	
14		GAE10118000		FIBER ADAPTER B	FOR AE-10 KIT E,AE-15 KIT G			*		1	
15		40018386		ALUMINUM BOBBIN A	FOR AE-10 KIT E,AE-15 KIT G			*		2	
16		40018386		ALUMINUM BOBBIN A	FOR AE-10 KIT F,AE-15 KIT H			*		4	
17		40028572		SOLENOID VALVE ASM.				*		1	
18		40028573		SOLENOID VALVE CORD ASM.	FOR AE-10 KIT E,F			*		1	
19		GAE101020A0		CABLE ASM.	FOR AE-15 KIT G,H			*		1	
20		40023801		SC-510 IPOPOP_PCB_A_ASSY	FOR AE-10 KIT E,F			*		1	
21		40102073		DETECTING SWITCH ASM.	FOR AE-15 KIT G,H			*		1	
22		40028570		DETECTING SWITCH C ASM.	FOR AE-10 KIT E,F			*		1	
23		GAE10104000		SWITCH BRACKET				*		1	
24		40024973		SENSOR AMPLIFIER BRACKET				*		1	
25		SS4111215SP		SCREW11/64-40L=12				*		1	
26		21391107		CORD BUSH				*		1	
27		GAE10116000		F CUTTER	FOR AE-10 KIT E,AE-15 KIT G			*		1	
28		GAE10116000		F CUTTER	FOR AE-10 KIT F,AE-15 KIT H			*		2	
29		EA9500B0000		CABLE BAND				*		10	
30		A407855000A		CLIP BAND				*		1	
31		SM4032001SC		SCREW M3X0.5 L=20				*		2	
32		GAE10005000		SENSOR BRACKET	FOR AE-10 KIT F,AE-15 KIT H			*		2	
33		GAE10107000		FIBER SENSOR	FOR AE-10 KIT F,AE-15 KIT H			*		2	
34		SM4860801SC		SCREW M2.6 L=8	FOR AE-10 KIT F,AE-15 KIT H			*		4	
35		BT0400251EB		URETHANE HOSE, BLACK	FOR AE-10 KIT F,AE-15 KIT H			*		1.7	
36		BT0400251EB		URETHANE HOSE, BLACK	FOR AE-10 KIT F,AE-15 KIT H			*		1.7	
37		GAE100060A0		NOZZLE FITTING BASE ASM.	FOR AE-10 KIT F,AE-15 KIT H			*		2	
38		SM6041002TP		SCREW M4 L=10	FOR AE-10 KIT F,AE-15 KIT H			*		4	



AE-10/AE-15

No.	Supply Code	Parts No.	Replacement	Parts name	Remarks	Choice	Step	Level	Cons	Qty	Rep. QTY
39		WP0430800SC		WASHER M4	FOR AE-10 KIT F,AE-15 KIT H			*		4	
40		BT0400251EB		URETHANE HOSE, BLACK	FOR AE-10 KIT F,AE-15 KIT H			*		0.5	
41		BT0400251EB		URETHANE HOSE, BLACK	FOR AE-10 KIT F,AE-15 KIT H			*		0.5	
42		GAE10117000		FIBER ADAPTER A	FOR AE-10 KIT F,AE-15 KIT H			*		2	
43		GAE10118000		FIBER ADAPTER B	FOR AE-10 KIT F,AE-15 KIT H			*		2	
44		PJ308040002		QUICK COUPLING	FOR AE-10 KIT F,AE-15 KIT H			*		1	
45		BT0400251EB		URETHANE HOSE, BLACK	FOR AE-10 KIT F,AE-15 KIT H			*		1.7	
46		40102072		SENSOR AMPLIFIER B ASM.	FOR AE-15 KIT H			*		1	
47		SM4030501SC		SCREW M3X0.5 L=5	FOR AE-10 KIT F,AE-15 KIT H			*		4	
48		40102071		SENSOR AMPLIFIER A ASM.	FOR AE-15 KIT G			*		1	
49		40028571		SENSOR AMPLIFIER E ASM.	FOR AE-10 KIT E			*		1	
50		SM4030501SC		SCREW M3X0.5 L=5	FOR AE-10 KIT E,AE-15 KIT G			*		2	
51		40028571		SENSOR AMPLIFIER E ASM.	FOR AE-10 KIT F			*		2	

## HOW TO MAKE USE OF THIS PARTS LIST

1.As to "#01" and "#02" refer to the "Note" given at the bottom of the respective pages.

2.Codes on the "Qty" column

- Each numeral indicates the number of parts required.
- "0.1" and "2.5" indicate the length (in meters) of the respective parts.

3.Parentheses mean that the corresponding part is a subpart that constructs an assembly part.

4.Dotted lines on the Figures indicate assembly parts.

1. リストページの# 0 1、# 0 2の印は、ページ下の"注記"の説明を参照下さい。
2. 数量欄の数字は、個数を表し、0. 1、2. 5等の数値は、長さ（単位メートル）を表します。
3. 数量欄の（ ）は、組部品を構成している子部品であることを意味します。
4. イラストページの-----枠は、組構成であることを意味します。

## NUMERICAL INDEX OF PARTS

PART NO	PAGE	REF NO.
21391107	2	26
40018386	2	15·16
40023801	2	20
40024973	2	24
40028570	2	22
40028571	4	51
40028572	2	17
40028573	2	18
40029101	2	1~4
40029102	2	1~4
40102071	4	48
40102072	4	46
40102073	2	21
40102727	2	1~4
40102728	2	1~4
A407855000A	2	30
BT0400251EB	2	45
BT0400251EB	4	45
EA9500B0000	2	29
GAE10005000	2	32
GAE100060A0	2	37
GAE101020A0	2	19
GAE10104000	2	23
GAE10107000	2	33
GAE10116000	2	28
GAE10117000	2	42
GAE10117000	4	42
GAE10118000	2	43
GAE10118000	4	43
PJ308040002	4	44
SM4030501SC	4	50
SM4032001SC	2	31
SM4860801SC	2	34
SM6041002TP	2	38
SS4111215SP	2	25
WP0430800SC	2	39
WP0430800SC	4	39