

MODEL : LZ-2290A/LZ-2290A-7/LZ-2290A-SR-7

List No : 1361-12

# PARTS LIST

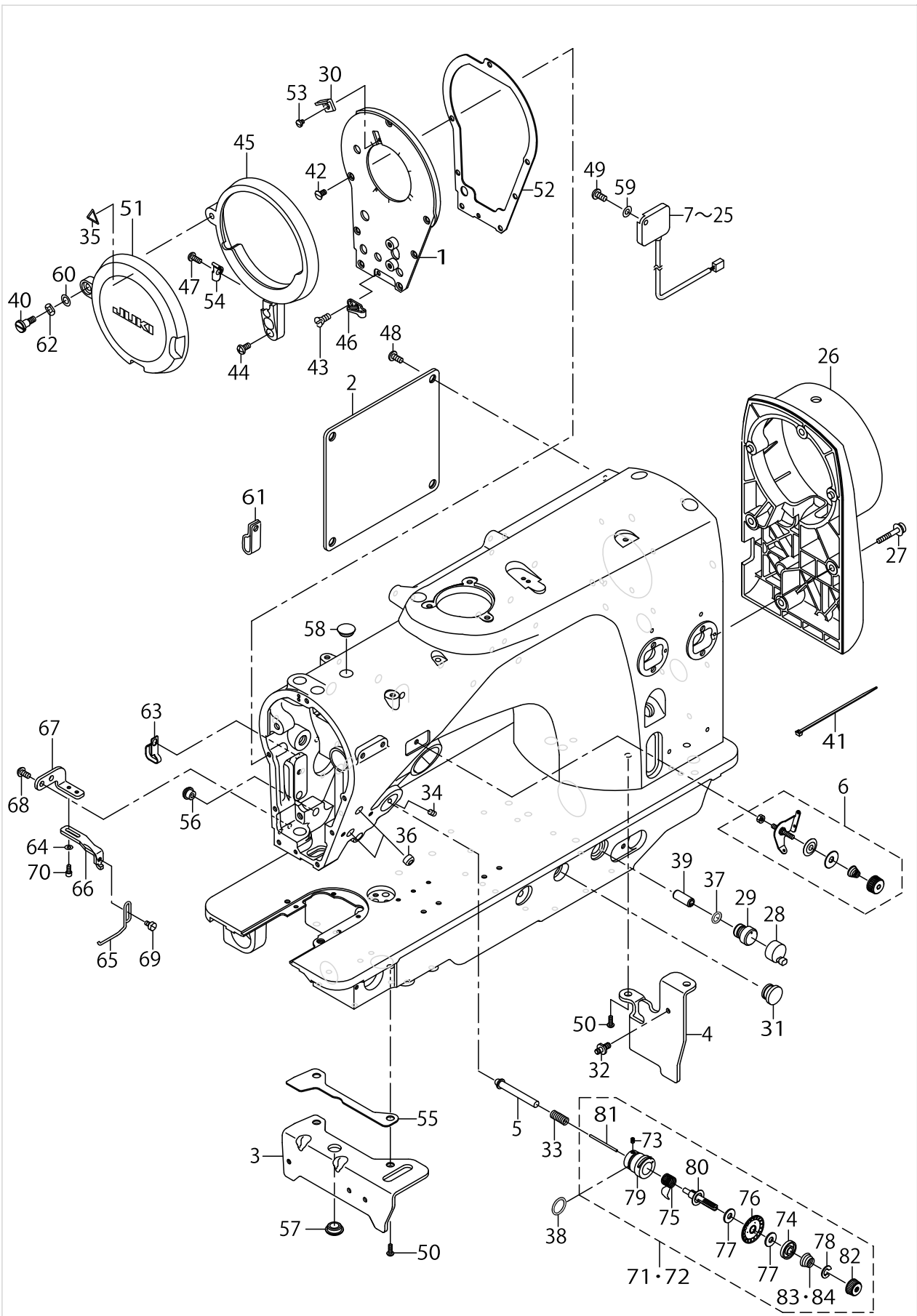
Published:05/12/2017

## CONTENTS

---

FRAME & MISCELLANEOUS COVER COMPONENTS (1) .....	1
FRAME & MISCELLANEOUS COVER COMPONENTS (2) .....	9
MAIN SHAFT & THREAD TAKE-UP & NEEDLE BAR COMPONENTS .....	15
NEEDLE VIBRATOR COMPONENTS.....	19
HAND LIFTER COMPONENTS .....	21
FEED MECHANISM COMPONENTS (1).....	25
FEED MECHANISM COMPONENTS (2)(EXCEPT LZ-2290A-SR-7) .....	33
FEED MECHANISM COMPONENTS (3)(FOR LZ-2290A-SR-7).....	35
FEED MECHANISM COMPONENTS (4)(FOR LZ-2290A-SR-7).....	39
HOOK DRIVING SHAFT COMPONENTS (1) .....	41
HOOK DRIVING SHAFT COMPONENTS (2) .....	43
THREAD TRIMMER MECHANISM COMPONENTS(FOR LZ-2290A-SS-7,LZ-2290A-SU-7, .....	45
LZ-2290A-SR-7)	
FEED MECHANISM COMPONENTS(FOR LZ-2290A-SU,LZ-2290A-SU-7,LZ-2290A-DU, .....	49
LZ-2290A-DU-7)	
AUTOMATIC REVERSE FEED MECHANISM COMPONENTS(FOR LZ-2290A-SS-7,LZ-2290A- .....	51
SU-7)	
THREAD FEEDER COMPONENTS.....	53
MANUAL SWITCH COMPONENTS (FOR LZ-2290A-SS,LZ-2290A-SU) .....	55
MANUAL SWITCH COMPONENTS (FOR LZ-2290A-SS-0B,LZ-2290A-SU-0B).....	57
THREAD RELEASE SOLENOID COMPONENTS(FOR LZ-2290A-SS-7,LZ-2290A-SU-7, .....	59
LZ-2290A-SR-7)	
LUBRICATION COMPONENTS(EXCEPT LZ-2290A-DS,LZ-2290A-DS-7,LZ2290A-DU, .....	63
LZ-2290A-DU-7)	
WIPER MECHANISM COMPONENTS(FOR LZ-2290A-SS-7-WB,LZ-2290A-SU-7-WB, .....	67
LZ-2290A-SR-7-WB)	
UNDER COVER COMPONENTS .....	69
THREAD STAND COMPONENTS.....	71
IT-110 PANEL COMPONENTS .....	73
SC-915/SC-916 TRANSMISSION COMPONENTS (1).....	75
SC-915/SC-916 TRANSMISSION COMPONENTS (2).....	79
SC-915/SC-916 ACCESSORIE PARTS COMPONENTS.....	83
ACCESSORIE PARTS COMPONENTS .....	85
COMMON PARTS FOR LZ-2290A-DS,LZ-2290A-DS-7,LZ-2290A-DU,LZ-2290A-DU-7 .....	87
CB TYPE (1) (PRESSER FOOT COMPONENTS).....	89
CB TYPE (2) (THREAD HOLDER & AIR COMPONENTS) .....	91
CB TYPE (3) (WIPER MECHANISM COMPONENTS) .....	95
SPECIAL ORDER PARTS LZ-2290A (1).....	97
SPECIAL ORDER PARTS LZ-2290A (2).....	103
SPECIAL ORDER PARTS LZ-2290A (3).....	105
LIST FOR INFORMATION OF CHANGE.....	107
HOW TO MAKE USE OF THIS PARTS LIST .....	108

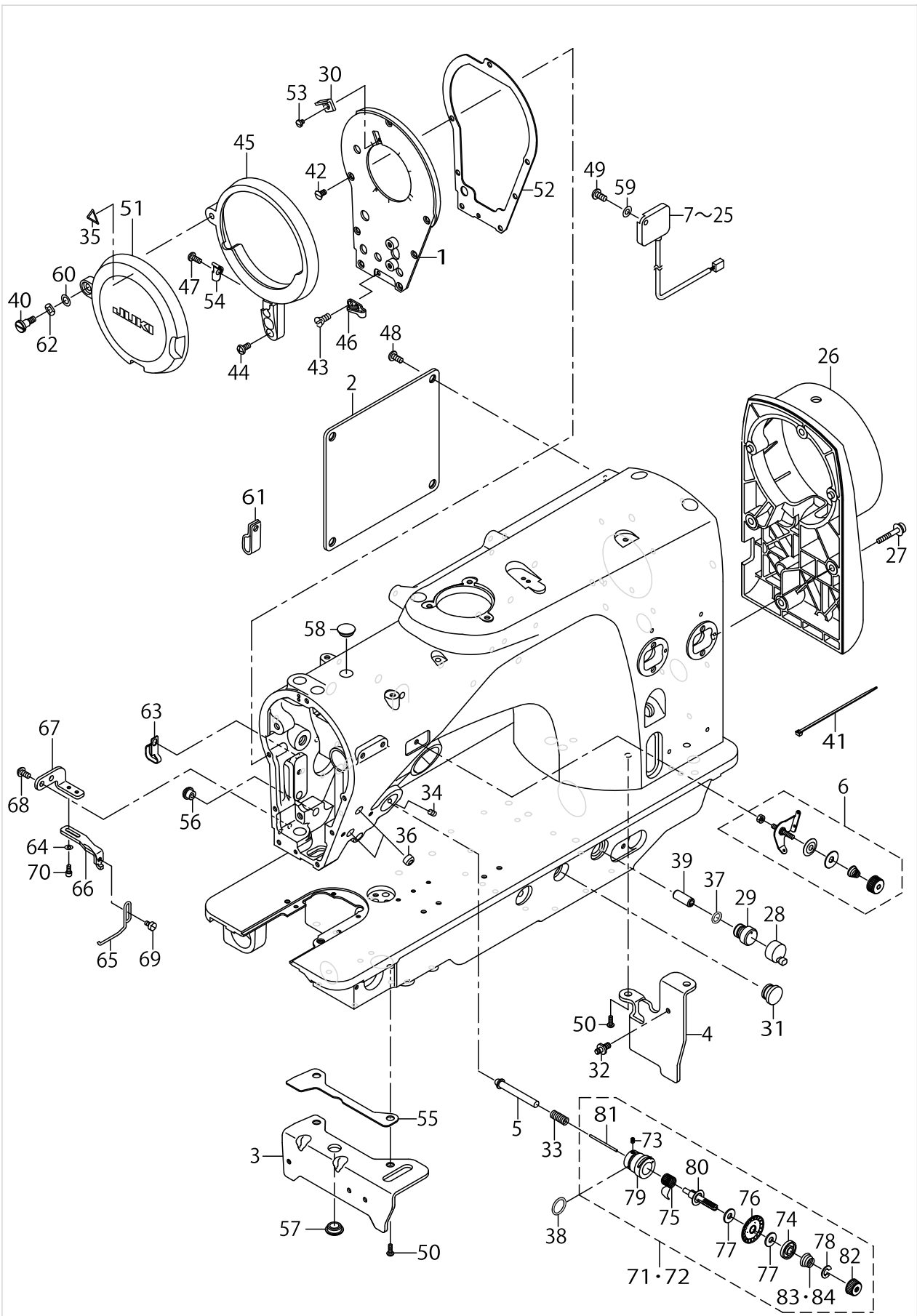
FRAME & MISCELLANEOUS COVER COMPONENTS (1)



FRAME & MISCELLANEOUS COVER COMPONENTS (1)

No.	Supply Code	Parts No.	Replacement	Parts name	Remarks	Choice	Step	Level	Cons	Qty	Rep. QTY
1		23500978		FACE PLATE COMPL.						1	
2		23526205		SIDE PLATE						1	
3		40003586		BED SUPPORT PLATE						1	
4		23526403		BED SUPPORT PLATE B						1	
5		40011123		THREAD RELEASE AUXILIARY PIN						1	
6	R	22528764	40050700	PRE-TENSION CONTROLLER ASM.						1	1.00
7		M6095350CAA		RESISTANCE PACK CA ASM.	FOR LZ-22-90A-SU-O-B/ LZ-229-0A-SU-7--WB VARIOUS NOS.F-OR DESTINATIONS					1	
8		M6096350CAL		RESISTANCE PACK CL ASM.	FOR LZ-22-90A-SS-7--OB/ LZ-2-290A-SS--7-WB VARIOUS NOS.-FOR DESTINATIONS					1	
9		M6095350CAF		RESISTANCE PACK CF ASM.	FOR LZ-22-90A-SU-O-B/ LZ-229-0A-SU-7--WB VARIOUS NOS.F-OR DESTINATIONS					1	
10		M6096350CAF		RESISTANCE PACK CF ASM.	FOR LZ-22-90A-SS-7--OB/ LZ-2-290A-SS--7-WB VARIOUS NOS.-FOR DESTINATIONS					1	
11		40003625		RESISTANCE PACK CB 40	FOR LZ-22-90A-SS-7--CB VARIOUS NOS.-FOR DESTINATIONS					1	
12	D	40003626		RESISTANCE PACK CB 45	FOR LZ-22-90A-SS-7--CB VARIOUS NOS.-FOR DESTINATIONS					1	
13		40003623		RESISTANCE PACK CB 40U	FOR LZ-22-90A-SU-7--CB VARIOUS NOS.-FOR DESTINATION					1	
14	D	40003624		RESISTANCE PACK CB 45U	FOR LZ-22-90A-SU-7--CB VARIOUS NOS.-FOR DESTINATION					1	
15		M6100350CAA		RESISTANCE PACK CA ASM.	FOR LZ-22-90A-DS/ LZ-2290A--DS-OB/ LZ-2290A-D-U/ LZ-229-0A-DU-OB					1	
16		M6097350CAA		RESISTANCE PACK CA ASM.	FOR LZ-22-90A-DS-7--WB/ LZ-2-290A-DU-7-WB					1	

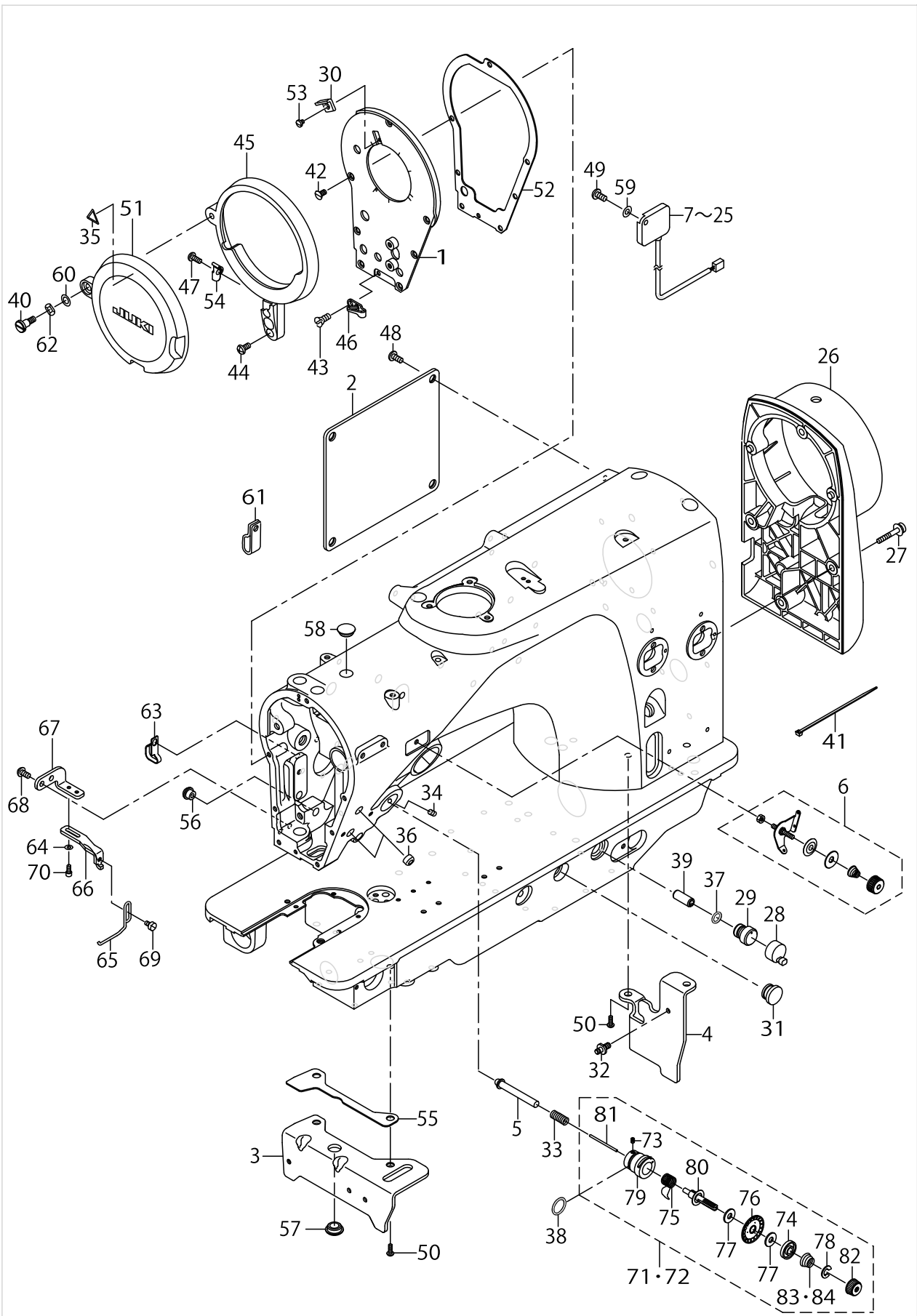
FRAME & MISCELLANEOUS COVER COMPONENTS (1)



FRAME & MISCELLANEOUS COVER COMPONENTS (1)

No.	Supply Code	Parts No.	Replacement	Parts name	Remarks	Choice	Step	Level	Cons	Qty	Rep. QTY
17		40003627		RESISTANCE PACK CB 45D	FOR LZ-22-90A-DS-7-CB/ LZ-2-290A-DU-7-CB					1	
18		M6099350CAF		RESISTANCE PACK CF ASM.	FOR LZ-22-90A-SS/ LZ-2-2290A-S-S-0B VARIOUS NOS.- FOR DESTINATIONS					1	
19	D	M6099350CAL		RESISTANCE PACK CL ASM.	FOR LZ-22-90A-SS/ LZ-2-2290A-S-S-0B VARIOUS NOS.- FOR DESTINATIONS					1	
20		M6098350CAF		RESISTANCE PACK CF ASM.	FOR LZ-22-90A-SU/ LZ-2-2290A-S-U-0B VARIOUS NOS.- FOR DESTINATIONS					1	
21		M6098350CAA		RESISTANCE PACK CA ASM.	FOR LZ-22-90A-SU/ LZ-2-2290A-S-U-0B VARIOUS NOS.- FOR DESTINATIONS					1	
22		40017100		RESISTANCE PACK WB40	FOR LZ-22-90A-SR-7-WB VARIOUS NOS.- FOR DESTINATIONS					1	
23		40017101		RESISTANCE PACK CB40	FOR LZ-22-90A-SR-7-CB VARIOUS NOS.- FOR DESTINATIONS					1	
24		40017102		RESISTANCE PACK WB45	FOR LZ-22-90A-SR-7-WB VARIOUS NOS.- FOR DESTINATIONS					1	
25		40017103		RESISTANCE PACK CB45	FOR LZ-22-90A-SR-7-CB VARIOUS NOS.- FOR DESTINATIONS					1	
26		23600604		PULLEY COVER						1	
27		SL6052592TN		BOLT						4	
28		23601305		AIR-DISCHARGING CAP						1	
29		23629900		AIR-DISCHARGING						1	
30		10001709		TAKE-UP THREAD CUTTER						1	
31		TA1250705R0		RUBBER PLUG						1	
32		13747308		SUSPENSION SCREW						1	
33		22920409		THREAD RELEASE PIN SPRING						1	
34		SS8110750SP		SCREW 11/64-40 L=6.5						1	
35		CM300200001		ATTENTION SEAL						1	
36		GPR01015000		DRIVING STOPPER RUBBER						2	

FRAME & MISCELLANEOUS COVER COMPONENTS (1)

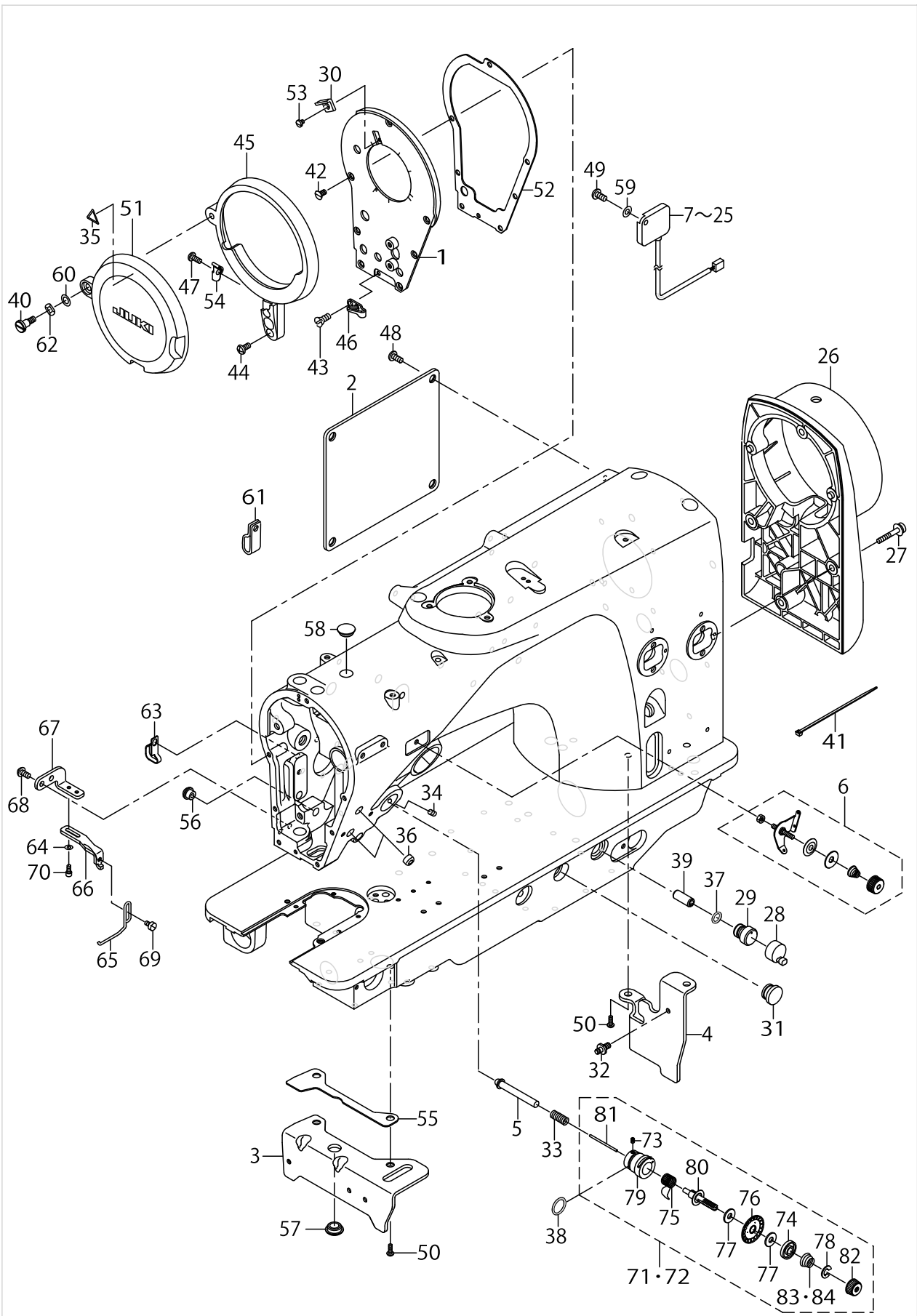


FRAME & MISCELLANEOUS COVER COMPONENTS (1)

No.	Supply Code	Parts No.	Replacement	Parts name	Remarks	Choice	Step	Level	Cons	Qty	Rep. QTY
37		RO080150200		RUBBER RING						1	
38		RO133170100		RUBBER RING						1	
39		PS0800202KH		SPRING PIN 8X20						1	
40		SD0640751SP		HINGE SCREW D=6.35 H=7.5						1	
41		EA9500B0100		CABLE BAND						1	
42		SS1110710SP		SCREW 11/64-40 L=7						7	
43		SS2090710TP		SCREW 9/64-40 L=7.2						1	
44		SS4110915SP		SCREW 11/64-40 L=9						2	
45		26305102		BALANCE COVER BASE						1	
46		26305409		BALANCE THREAD GUIDE B						1	
47		SS4120615SP		SCREW 3/16-28 L=6						1	
48		SS4120915SP		SCREW 3/16-28 L=9						4	
49		SS4121015SP		SCREW 3/16-28 L=10						1	
50		SS4150915SP		SCREW 15/64-28 L=9						4	
51		22502108		BALANCE COVER						1	
52		23527401		FACE PLATE PACKING						1	
53		SS7080410SP		SCREW 1/8-44 L=3.8						1	
54		26305300		BALANCE COVER S-TOPPER SPRING						1	
55		40003588		HEAD SUPPORT A PAKING						1	
56		TA0800504R0		PLUG D=8 L=4.5						1	
57		TA1250406R0		RUBBER PLUG D=12.5 L=4						1	
58		TA1250406R0		RUBBER PLUG D=12.5 L=4						3	
59		WP0501016SD		WASHER 5X10.5X1						1	
60		WP0651056SD		WASHER 6.5X11X1						1	
61		D2112555B00		CORD HOLDER LARGE						2	
62		WZ0641510KP		WAVED WASHER 6.4X11X0.3						1	
63		40022407		CORD HOLDER						1	
64		WP03305000E		WASHER 3.3X6X0.5	VARIOUS NOS.FOR DESTINATIONS					2	
65		22529002		SUPPORT BALANCE	VARIOUS NOS.FOR DESTINATIONS					1	
66		22529101		SUPPORT BALANCE BASE	VARIOUS NOS.FOR DESTINATIONS					1	
67		22529200		MOUNTING BASE	VARIOUS NOS.FOR DESTINATIONS					1	
68		SS4110915SP		SCREW 11/64-40 L=9	VARIOUS NOS.FOR DESTINATIONS					2	
69		SS6090540SP		SCREW 9/64-40 L=5.0	VARIOUS NOS.FOR DESTINATIONS					1	
70		SS6580752TP		SCREW 1/8-40 L=7	VARIOUS NOS.FOR DESTINATIONS					2	
71		40003633		THREAD TENSION ASM. A	VARIOUS NOS.FOR DESTINATIONS					1	
72		40003634		THREAD TENSION ASM. B	VARIOUS NOS.FOR DESTINATIONS					1	
73		SS8090670SP		SCREW 9/64-40 L=5.5				*		1	



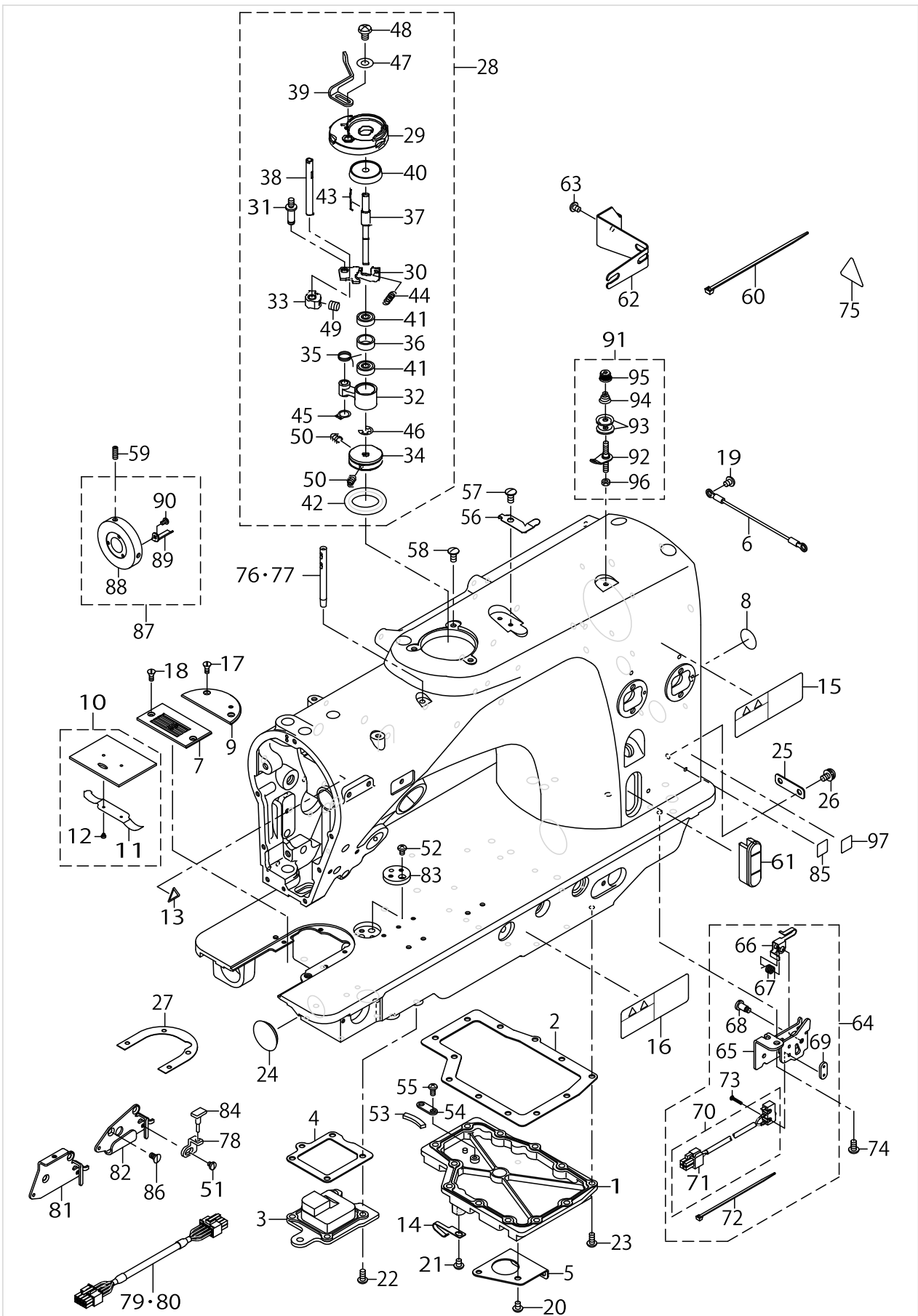
FRAME & MISCELLANEOUS COVER COMPONENTS (1)



FRAME & MISCELLANEOUS COVER COMPONENTS (1)

No.	Supply Code	Parts No.	Replacement	Parts name	Remarks	Choice	Step	Level	Cons	Qty	Rep. QTY
74		10006005		TENSION DISC HOLDER				*		1	
75		23538309		THREAD TAKE-UP SPRING				*		1	
76		23547557		THREAD TENSION T COMPL.				*		1	
77		22528509		FELT				*		4	
78		22921407		ROTATION STOPPER				*		1	
79		23537665		THREAD TENSION ROD BASE ASM.				*		1	
80		23537756		THREAD TENSION ROD COMPL.				*		1	
81		23537814		THREAD RELEASE PIN				*		1	
82		23626005		THREAD TENSION NUT				*		1	
83		B3121352000		TENSION SPRING	VARIOUS NOS.FOR DESTINATIONS			*		1	
84		B3129012A00		TENSION SPRING	VARIOUS NOS.FOR DESTINATIONS			*		1	

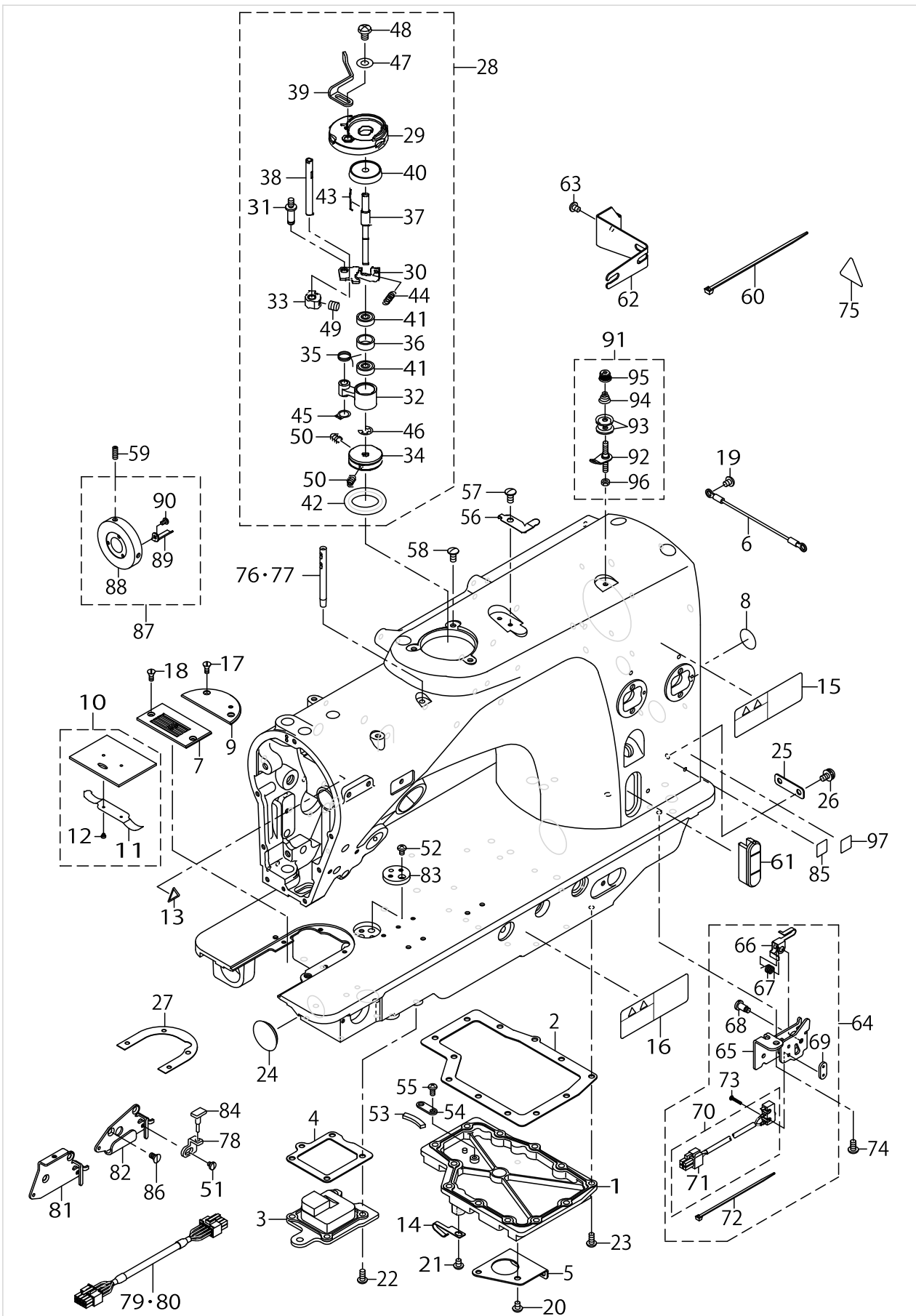
FRAME & MISCELLANEOUS COVER COMPONENTS (2)



FRAME & MISCELLANEOUS COVER COMPONENTS (2)

No.	Supply Code	Parts No.	Replacement	Parts name	Remarks	Choice	Step	Level	Cons	Qty	Rep. QTY
1		40011345		GEAR BOX (LARGE) COVER						1	
2		23526601		GEAR BOX (LARGE) PACKING						1	
3		40028463		GEAR BOX (SMALL) COVER						1	
4		23526809		GEAR BOX (SMALL) PACKING						1	
5		23527203		PIPE GUIDE PLATE						1	
6		M8524476AA0		GROUND WIRE A ASM.						1	
7		22582407		NEEDLE PLATE						1	
8		22901805		GROUND MARK						1	
9		26300103		SEMILUNAR PLATE						1	
10		26314757		BED SLIDE ASM.						1	
11		11001609		BED SLIDE SPRING				*		1	
12		SS6060210SP		SCREW 3/32-56 L=1.9				*		2	
13		CM300200001		ATTENTION SEAL	VARIOUS NOS.FOR DESTINATIONS					1	
14		26230409		LUBRICATING OIL WICK STOPPER						1	
15		CM301300001		SAFETY LABEL						1	
16		CM301300001		SAFETY LABEL						1	
17		SS2090810SP		SCREW 9/64-40 L=7.5						2	
18		SS2090810SP		SCREW 9/64-40 L=7.5						2	
19		SS4120615SP		SCREW 3/16-28 L=6						1	
20		SS4120615SP		SCREW 3/16-28 L=6						1	
21		SS4120615SP		SCREW 3/16-28 L=6						1	
22		SS4120915SP		SCREW 3/16-28 L=9						4	
23		SS4120915SP		SCREW 3/16-28 L=9						12	
24		40028294		FEED_ADJUSTING_CAP						1	
25		26025106		SPACER PLATE						1	
26		SL4051091SC		SCREW M5X0.8 L=10						1	
27		22503908		SPACER	FOR LZ-22-90A-SU-7					1	
28		40026835		BOBBINWINDERUNIT						1	
29	R	26260109	26260000	BTW_BASE				*		1	1.00
30		26260208		BTW_CAM_PLATE				*		1	
31		26260307		BTW_BASE_SHAFT				*		1	
32		26260406		BTW_SHAFT_BASE				*		1	
33		26260505		BTW_CAM_LEVER				*		1	
34		26260604		BTW_WHEEL				*		1	
35		40011144		BTW_TORSION_SPRING				*		1	
36	R	26260802	26260000	BTW_BEARING_SPACER				*		1	1.00
37		40014837		BTW_SHAFT				*		1	
38		26261008		BTW_LEVER_SHAFT				*		1	
39		40021933		BTW_LEVER				*		1	
40		26261206		BTW_SPACER				*		1	
41	R	26261305	26260000	BTW_BEARING				*		2	1.00
42		26261503		BTW_WHEEL_RUBBER				*		1	
43		26261602		BOBBIN_SPRING				*		1	
44		26261701		BTW_SPRING				*		1	
45		RC0560711KP		RETAINING RING				*		1	

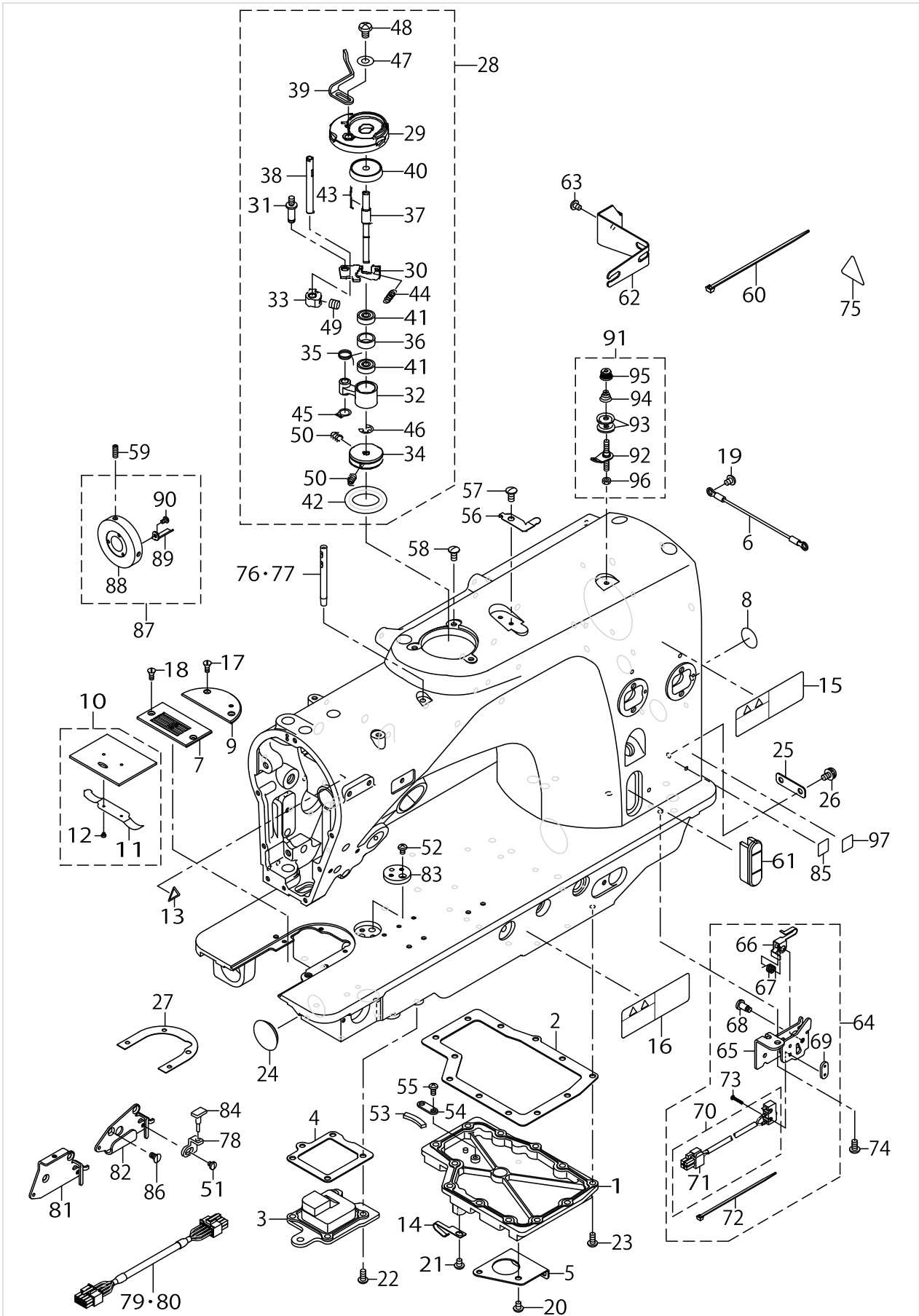
FRAME & MISCELLANEOUS COVER COMPONENTS (2)



FRAME & MISCELLANEOUS COVER COMPONENTS (2)

No.	Supply Code	Parts No.	Replacement	Parts name	Remarks	Choice	Step	Level	Cons	Qty	Rep. QTY
46		RE0400000K0		E-RING 4				*		1	
47		WP0450826SC		WASHER 4.5X10X0.8				*		1	
48		SM5040655SN		SCREW				*		3	
49		SM8050502TP		SCREW M5 L=5				*		1	
50		SM8040802TP		SCREW M4X8				*		2	
51		SS7090410SP		SCREW 9/64-40 L=3.5				*		1	
52		SM4040655SP		SCREW M4 L=6				*		1	
53		11033008		MAGNET						1	
54		40024644		MAGNET WASHER						1	
55		ST4040821SS		TAPPING SCREW						1	
56		40037008		THREAD_CUTTER						1	
57		SM0051001SC		SCREW						2	
58		SM0051001SC		SCREW						3	
59		SS8111251SP		SCREW 11/64-40 L=12.0						2	
60		EA9500B0200		CABLE BAND 150						1	
61		23629108		OIL SIGHT WINDOW						1	
62		23539901		HEAD LUBRICATION PIPE STOPPER						1	
63		SS4120615SP		SCREW 3/16-28 L=6						1	
64		23541352		SAFETY SWITCH ASM.						1	
65	R	23541303	23541352	SAFETY SWITCH BASE				*		1	1.00
66		23638109		SAFETY SWITCH ARM				*		1	
67	R	23638208	23638059	SAFETY SWITCH SPRING				*		1	1.00
68		23638307		SAFETY SWITCH ARM SHAFT				*		1	
69	R	23638406	23638059	SAFETY SWITCH STOPPER PLATE				*		1	1.00
70		23541451		SAFETY SWITCH CORD ASM.				*		1	
71		HK034610060		HOUSING 6P				*		1	
72		EA9500B0100		CABLE BAND				*		1	
73		SM4021201SC		SCREW M2 L=12				*		2	
74		SS4120915SP		SCREW 3/16-28 L=9				*		2	
75		CM300200003		ATTENTION LABEL						1	
76		22958300		NEEDLE THREAD GUIDE PIN	FOR LZ-22-90A-SS/L-Z-2290A-SU					1	
77		22502504		THREAD GUIDE BAR	FOR LZ-22-90A-SS-7-/LZ-2290A-SU-7					1	
78		22502702		SPRING GUARD						1	
79		40006012		PM RELAY CABLE A ASM.	FOR LZ-22-90A-SS-7-/LZ-2290A-SU-7/ LZ-2290A-D-S-7/LZ-22-90A-DU-7					1	

FRAME & MISCELLANEOUS COVER COMPONENTS (2)

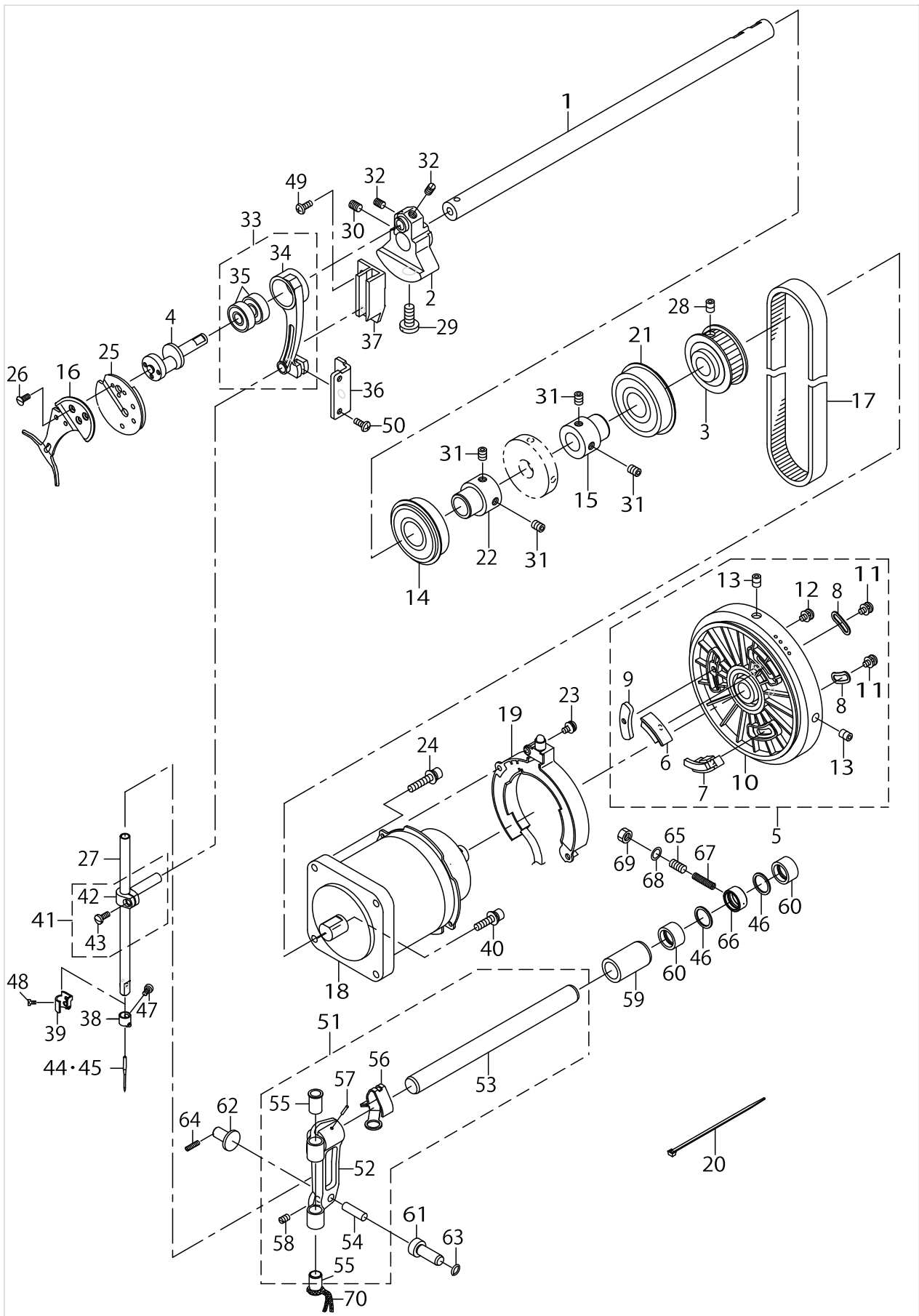


FRAME & MISCELLANEOUS COVER COMPONENTS (2)

No.	Supply Code	Parts No.	Replacement	Parts name	Remarks	Choice	Step	Level	Cons	Qty	Rep. QTY
80		40006013		PM RELAY CABLE B ASM.	FOR LZ-22-90A-SS/L-Z-2290A-S-S-0B/ LZ--2290A-SU-/LZ-2290A--SU-0B/ L-Z-2290A--DS/LZ-22-90A-DS-0-B/ LZ-229-0A-DU/LZ--2290A-DU-0B					1	
81		26312504		BALANCE THREAD GUIDE	FOR LZ-22-90A-SS/L-Z-2290A-SU					1	
82		22504104		BALANCE THREAD GUIDE A	VARIOUS NOS.FOR DESTINATIONS					1	
83		40035589		RULER PLATE						1	
84		11043601		RUBBER STOPPER						1	
85		40116677		GOST_SAFTY_LABEL_S	VARIOUS NOS.FOR DESTINATIONS					1	
86		SS1110840SP		SCREW 11/64-40 L=8						2	
87	R	40026836	40020454	BOBBIN WINDER D-RIVING WHEEL ASM.						1	1.00
88		40020454		BTW DRIVING WHEEL ASM.				*		1	
89		23528607		BOBBIN DRIVING WHEEL BLADE				*		3	
90		SM4030501SN		SCREW M3 L=5				*		3	
91		22529481		BOBBIN THREAD TENSION ASM.						1	
92		22529473		BOBBIN THREAD T-ENSION ROD ASM.				*		1	
93	R	B3214047000	22945802	BOBBIN WINDER TENSION DISC				*		2	1.00
94		11093606		THREAD TENSION SPRING				*		1	
95		11072402		THREAD TENSION NUT				*		1	
96		NS6110310SP		NUT 11/64-40				*		1	
97		CM600100101		WEEE MARK LABEL S	VARIOUS NOS.FOR DESTINATIONS					1	



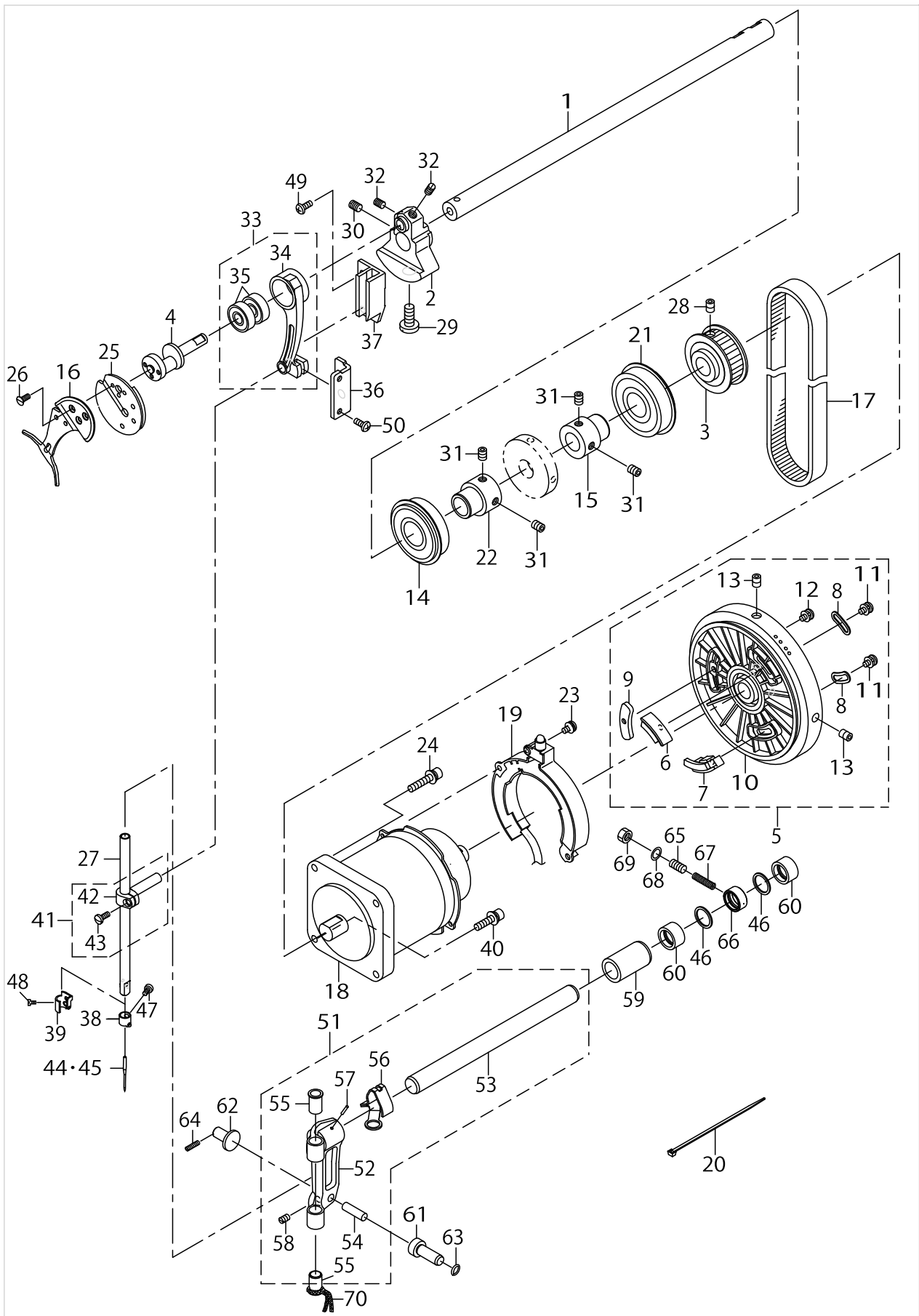
MAIN SHAFT & THREAD TAKE-UP & NEEDLE BAR COMPONENTS



MAIN SHAFT & THREAD TAKE-UP & NEEDLE BAR COMPONENTS

No.	Supply Code	Parts No.	Replacement	Parts name	Remarks	Choice	Step	Level	Cons	Qty	Rep. QTY
1		23527906		UPPER SHAFT						1	
2		40010324		COUNTER WEIGHT						1	
3		40160261		UPPER_SHAFT_SPROCKET						1	
4		23528102		NEEDLE ROD CRANK						1	
5		23528250		HAND WHEEL ASM.						1	
6		23528359		MAGNET FITTING BASE COMPL. U				*		1	
7		23528458		MAGNET FITTING BASE COMPL. D				*		1	
8		23605009		HAND WHEEL WASHER				*		2	
9		23604804		BALANCE PLATE				*		1	
10		23528201		HAND WHEEL				*		1	
11		SL4040881SC		SCREW M4 L=8				*		2	
12		SL4040881SC		SCREW M4 L=8				*		1	
13		SM8060812TP		SCREW M6 L=8				*		2	
14	D	SB1200013C0		BEARING						1	
15		23604200		MAIN SHAFT BEARING SUPPORT						1	
16		22506208		BALANCE V						1	
17		22505705		TIMING BELT						1	
18		40028014		AC SERVO MOTOR						1	
19		M68014710A0		SYNC ASM.						1	
20		EA9500B0100		CABLE BAND						1	
21		SB1200008C0		BEARING						1	
22		23605207		BEARING HOLDER						1	
23		SL4040881SC		SCREW M4 L=8						2	
24		SL6052592TN		BOLT						3	
25		10008753		TAKE-UP COUNTERWEIGHT ASM.						1	
26		SS1090930SP		SCREW 9/64-40 L=8.6						3	
27		40015494		NEEDLE BAR						1	
28		SM8060812TP		SCREW M6 L=8						2	
29		SS7681650TP		SCREW 9/32-28 L=16						1	
30		SS8680730SP		SCREW 9/32-28 L=7						1	
31		SM8060812TP		SCREW M6 L=8						4	
32		SS8660610TP		SCREW 1/4-40 L=6						2	
33		23528755		NEEDLE ROD CRANK ROD ASM.						1	
34	R	23528706	23528755	NEEDLE ROD CRANK ROD				*		1	1.00
35		SB108001900		BEARING				*		2	
36		40010281		NEEDLE ROD CRANK ROD GUIDE						1	
37		22508006		NEEDLE BAR CONNECTION GUIDE						1	
38		22507701		THRED RACK RIGHT	VARIOUS NOS.FOR DESTINATIONS					1	
39		22507404		THREAD RACK	VARIOUS NOS.FOR DESTINATIONS					1	
40		SL6052092TN		SCREW						1	
41		40070532		NEEDLE_BAR_CONNECTION_ASM.						1	
42		40056873		NEEDLE BAR CONNECTION				*		1	
43		SS7090910TP		SCREW 9/64-40 L=8.5				*		1	

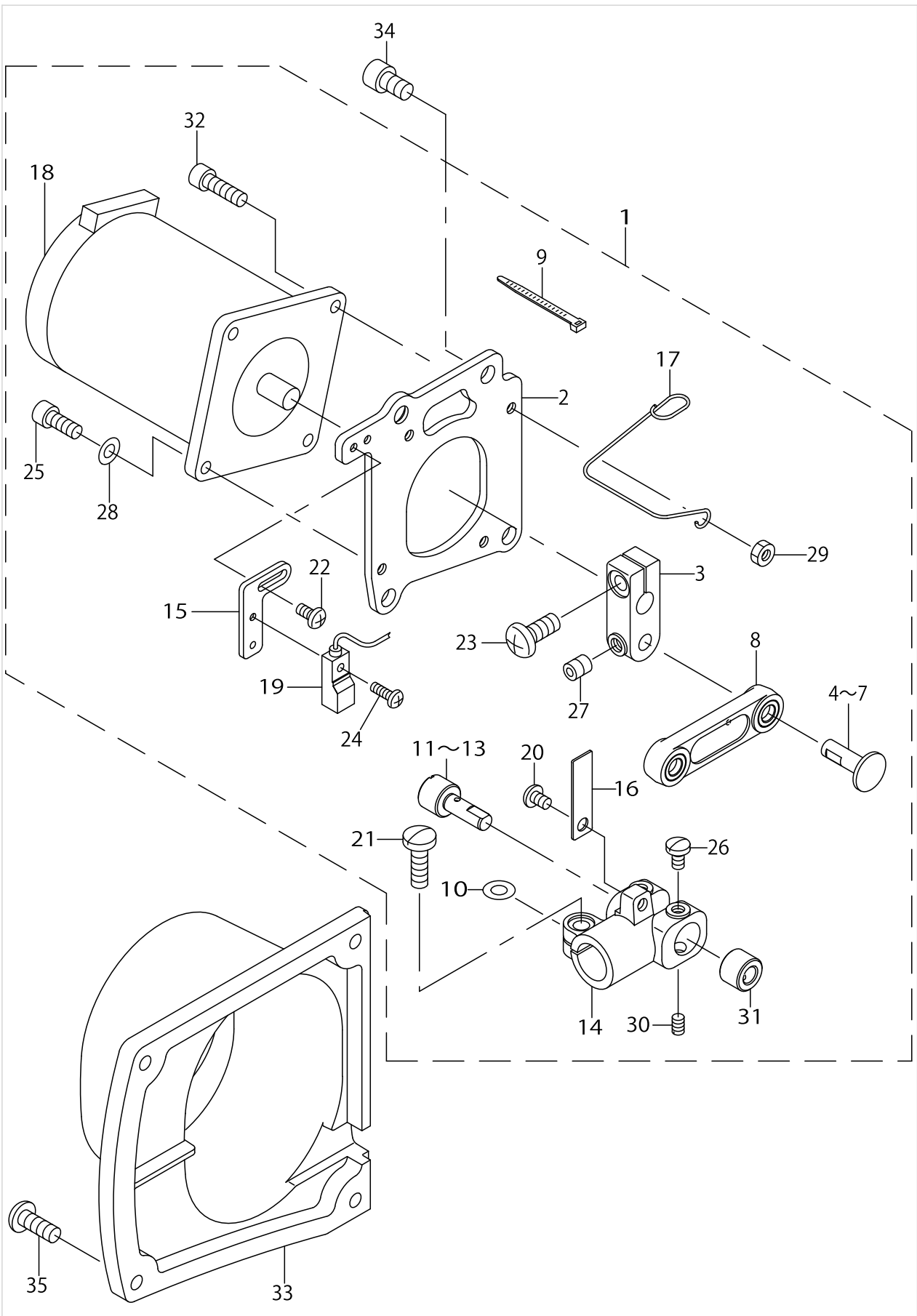
MAIN SHAFT & THREAD TAKE-UP & NEEDLE BAR COMPONENTS



MAIN SHAFT & THREAD TAKE-UP & NEEDLE BAR COMPONENTS

No.	Supply Code	Parts No.	Replacement	Parts name	Remarks	Choice	Step	Level	Cons	Qty	Rep. QTY
44		MC2005F0700		NEEDLE 134SUK 70	VARIOUS NOS.FOR DESTINATIONS					1	
45		MDP500B1000		NEEDLE DPX5 #10	VARIOUS NOS.FOR DESTINATIONS					1	
46		23544901		THRUST BUSH						2	
47		SS7080520SP		SCREW 1/8-44 L=4.9						1	
48		SS7060310SP		SCREW 3/32-56 L=3	VARIOUS NOS.FOR DESTINATIONS					1	
49		SS4110915SP		SCREW 11/64-40 L=9						2	
50		SS4110915SP		SCREW 11/64-40 L=9						2	
51		23529159		NEEDLE ROD SUPPORT BASE ASM.						1	
52	R	23529100	23529159	NEEDLE ROD SUPPORT BASE				*		1	1.00
53	R	23529209	23529159	NEEDLE ROD SUPPORT BASE SHAFT				*		1	1.00
54		23529308		SUPPORT BASE GUIDE SHAFT				*		1	
55		23529506		NEEDLE ROD METAL				*		2	
56		23529407		NEEDLE ROD SUPPORT BASE FELT				*		1	
57		PS0400222K0		SPRING PIN				*		1	
58		SS8120740SP		SCREW 3/16-28 L=7				*		1	
59		40010315		SUPPORT BASE SH-AFT FRONT METAL						1	
60		23531114		SUPPORT BASE SH-AFT REAR METAL						2	
61		40010297		SUPPORT BASE GUIDE PIN A						1	
62		40010296		SUPPORT BASE GUIDE PIN B						1	
63		RO037180100		RUBBER RING						1	
64		SS8151230SP		SCREW 15/64-28L=12						1	
65		SM8061212TP		SCREW M6X12						1	
66		40003618		METAL B						1	
67		40010322		SPRING						1	
68		WP0720516SD		PLAIN WASHER						1	
69		NM6060001SC		NUT M6						1	
70		CQ202000000		OIL WICK						.15	

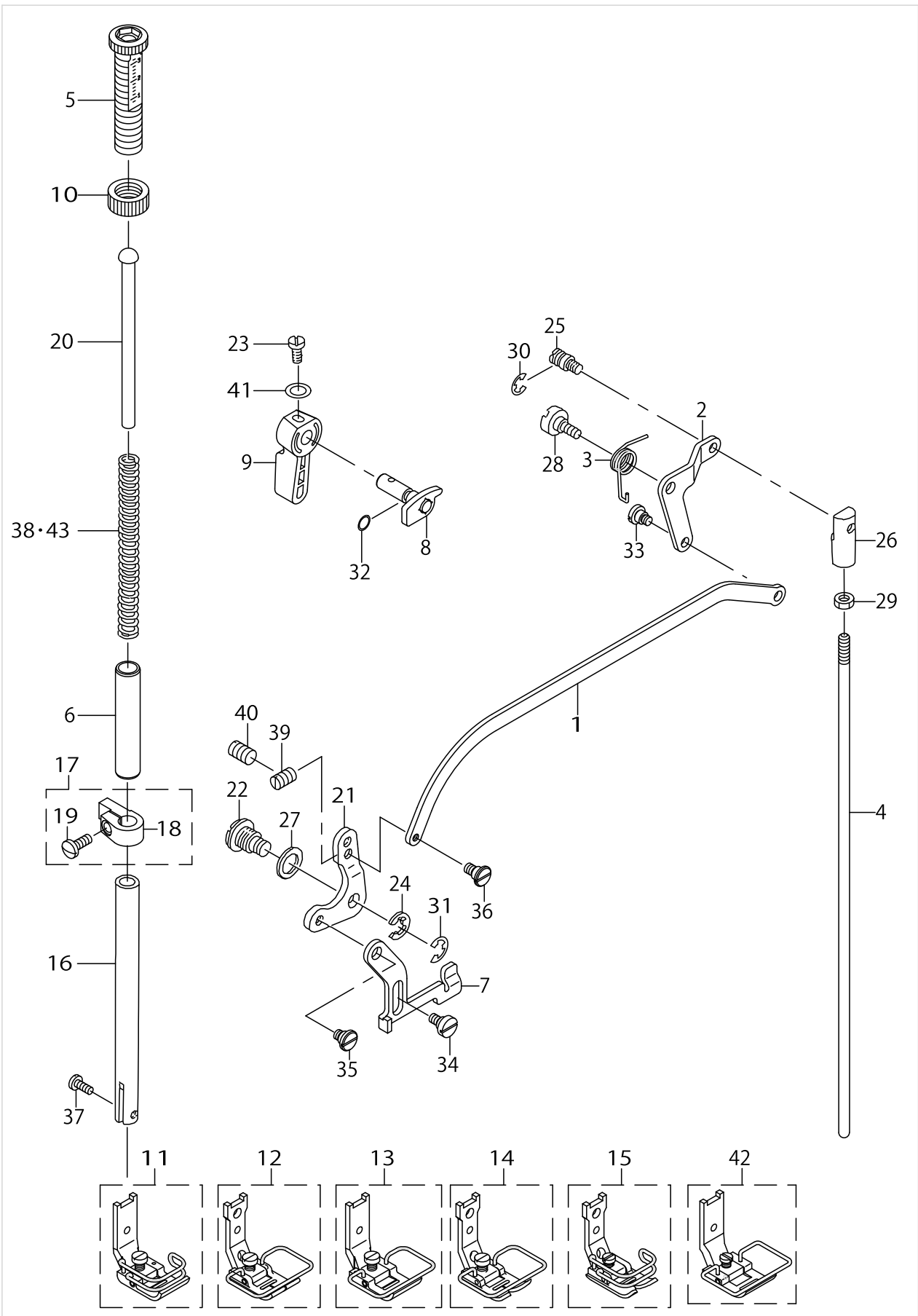
# NEEDLE VIBRATOR COMPONENTS



NEEDLE VIBRATOR COMPONENTS

No.	Supply Code	Parts No.	Replacement	Parts name	Remarks	Choice	Step	Level	Cons	Qty	Rep. QTY
1		40149235		NEEDLE_VIBRATOR_UNIT						1	
2		40149234		NEEDLE_VIBRATOR_UNIT_BASIS				*		1	
3		40010278		MOTOR LINK				*		1	
4		40010286		JUNCTION SHAFT A	SELECTIVE PARTS			*		1	
5		40010287		JUNCTION SHAFT B	SELECTIVE PARTS			*		1	
6		40010288		JUNCTION SHAFT C	SELECTIVE PARTS			*		1	
7		40010289		JUNCTION SHAFT D	SELECTIVE PARTS			*		1	
8		40008169		SHAFT CONNECTION LINK				*		1	
9		EA9500B0100		CABLE BAND				*		2	
10		WP0520656SA		WASHER 5.2X9.5X0.6				*		1	
11		40008119		JUNCTION SHAFT A	SELECTIVE PARTS			*		1	
12		40008120		JUNCTION SHAFT B	SELECTIVE PARTS			*		1	
13		40008121		JUNCTION SHAFT C	SELECTIVE PARTS			*		1	
14	R	40008118	400081180A0	SUPPORT BASE SH-AFT CONNECTION				*		1	1.00
15		23530702		SENSOR FITTING PLATE				*		1	
16		23530801		SENSOR SLIT				*		1	
17		23531007		CORD CLAMP				*		1	
18		KM000000350		PULSE MOTOR				*		1	
19		M8523476AA0		ZERO SENSOR AASM.				*		1	
20		SS4110615SP		SCREW 11/64-40 L=6				*		1	
21		SS7121410TP		SCREW 3/16-28 L=14				*		1	
22		SM4030655SP		SCREW				*		2	
23		SM4051255SP		SCREW M5 L=12				*		1	
24		SM4860801SN		SCRER M2.6 L=8				*		1	
25		SM6041002TP		SCREW M4 L=10				*		3	
26		SS7110740TP		SCREW 11/64-40 L=7				*		2	
27		SM8050612TP		SCREW M5X6				*		1	
28		WP0482016SZ		WASHER				*		2	
29		NM6040001SN		NUT M4X0.7				*		1	
30		SS8090670SP		SCREW 9/64-40 L=5.5				*		1	
31		40010298		JUNCTION SHAFT COLLAR				*		1	
32		SM6041402TP		SCREW M4 L=14				*		1	
33		40149236		NEEDLE_VIBRATOR_UNIT_COVER						1	
34		SM6061002TP		SCREW M6 L=10						3	
35		SS4121215SP		SCREW 3/16-28 L=12						4	

HAND LIFTER COMPONENTS

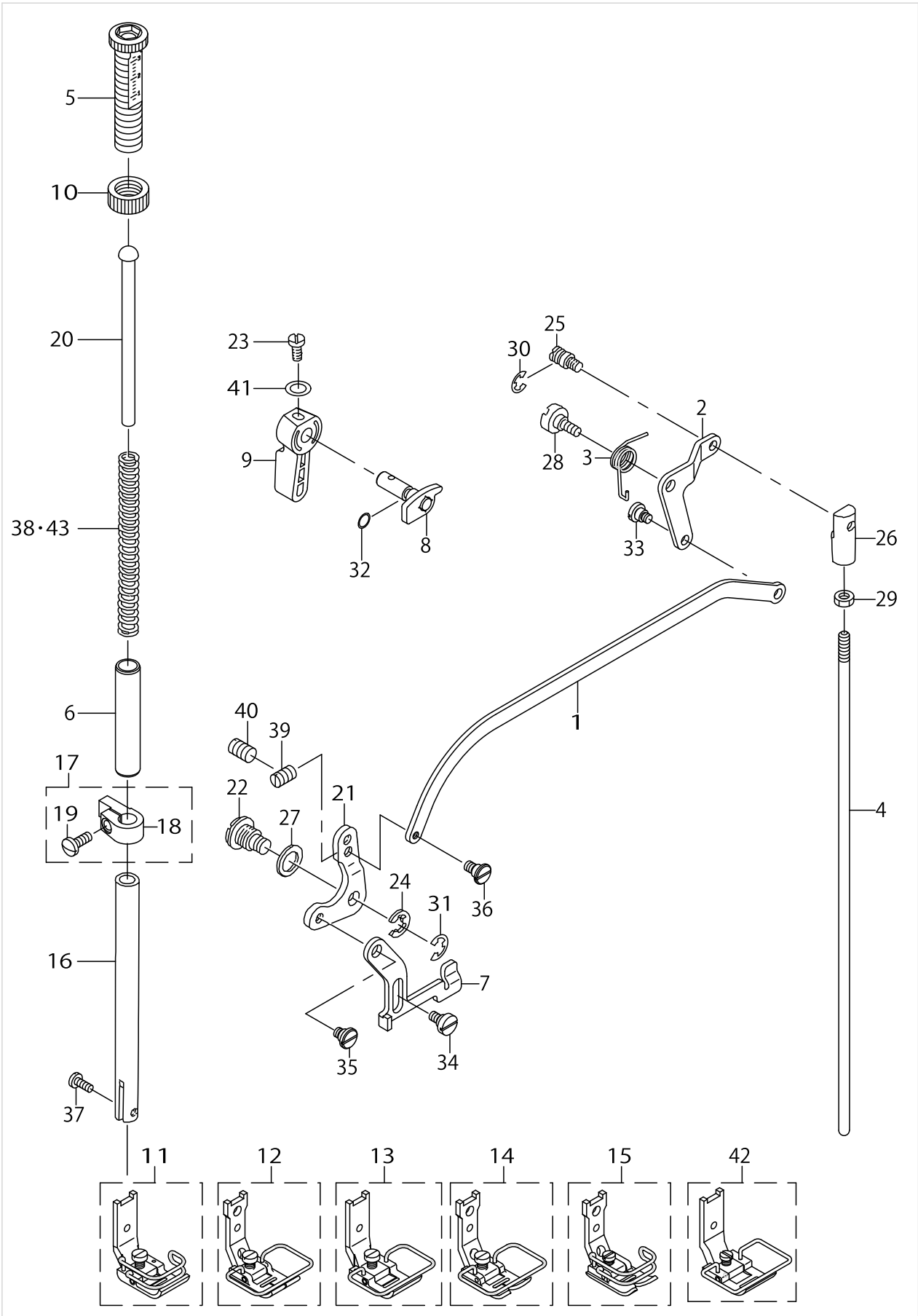


HAND LIFTER COMPONENTS

No.	Supply Code	Parts No.	Replacement	Parts name	Remarks	Choice	Step	Level	Cons	Qty	Rep. QTY
1		23531304		KNEE LIFTING SIDE ROD LINK						1	
2		23531403		KNEE LIFTING LINK						1	
3		23531502		KNEE LIFTING LINK SPRING						1	
4		40003601		KNEE LIFTING JUNCTION ROD						1	
5		23609209		PRESSER SPRING REGULATOR						1	
6		23609001		BUSHING						1	
7		26308007		LIFTING PLATE						1	
8		26307850		PRESSER LIFTER CAM COMPL.						1	
9		22907802		HAND LIFTER						1	
10	R	22907604	22907554	PRESSER SPRING REGULATOR NUT						1	1.00
11		10055051		PRESSER FOOT ASM.	FOR LZ-22-90A-SS/ L-Z-2290A-S-S-7-OB VARIOUS NOS.FOR DESTINATIONS					1	
12		22584965		PRESSER FOOT ASM.	FOR LZ-22-90A-SS/ L-Z-2290A-S-S-7 VARIOUS NOS.FOR DESTINATIONS					1	
13		22580864		PRESSER ASM.	FOR LZ-22-90A-SS-7-OB VARIOUS NOS.FOR DESTINATIONS					1	
14		23503154		PRESSER ASM.	FOR LZ-22-90A-SU/ L-Z-2290A-S-U-7 VARIOUS NOS.FOR DESTINATIONS					1	
15		23503162		PRESSER ASM.	FOR LZ-22-90A-SU/ L-Z-2290A-S-U-7 VARIOUS NOS.FOR DESTINATIONS					1	
16		40125469		PRESSER_BAR						1	
17		40070531		PRESSER_BAR_CONNECTION_ASM.						1	
18		26302901		PRESSER BAR HOLDER					*	1	
19		SS7111110TP		SCREW 11/64-40 L=10.5					*	1	
20		22907703		PRESSER GUIDE BAR						1	
21		B1516552000		LIFTING LEVER LINK						1	
22		B1517552000		HINGE PIN						1	
23		B1521555000		SCREW						1	
24		B1523226000		SNAP RING						1	
25		B3416552000		CONNECTING ROD HINGE SCREW						1	
26		B3416555000		SWIVEL						1	
27		B3431581000		LIFTING LEVER GASKET						1	
28		GAK33041000		KNEE LIFTING LINK STEP-SCREW						1	
29		NS6620310SP		NUT 3/16-32						1	
30		RE0500000K0		E-RING						1	
31		RE0600000K0		E-RING 6						1	



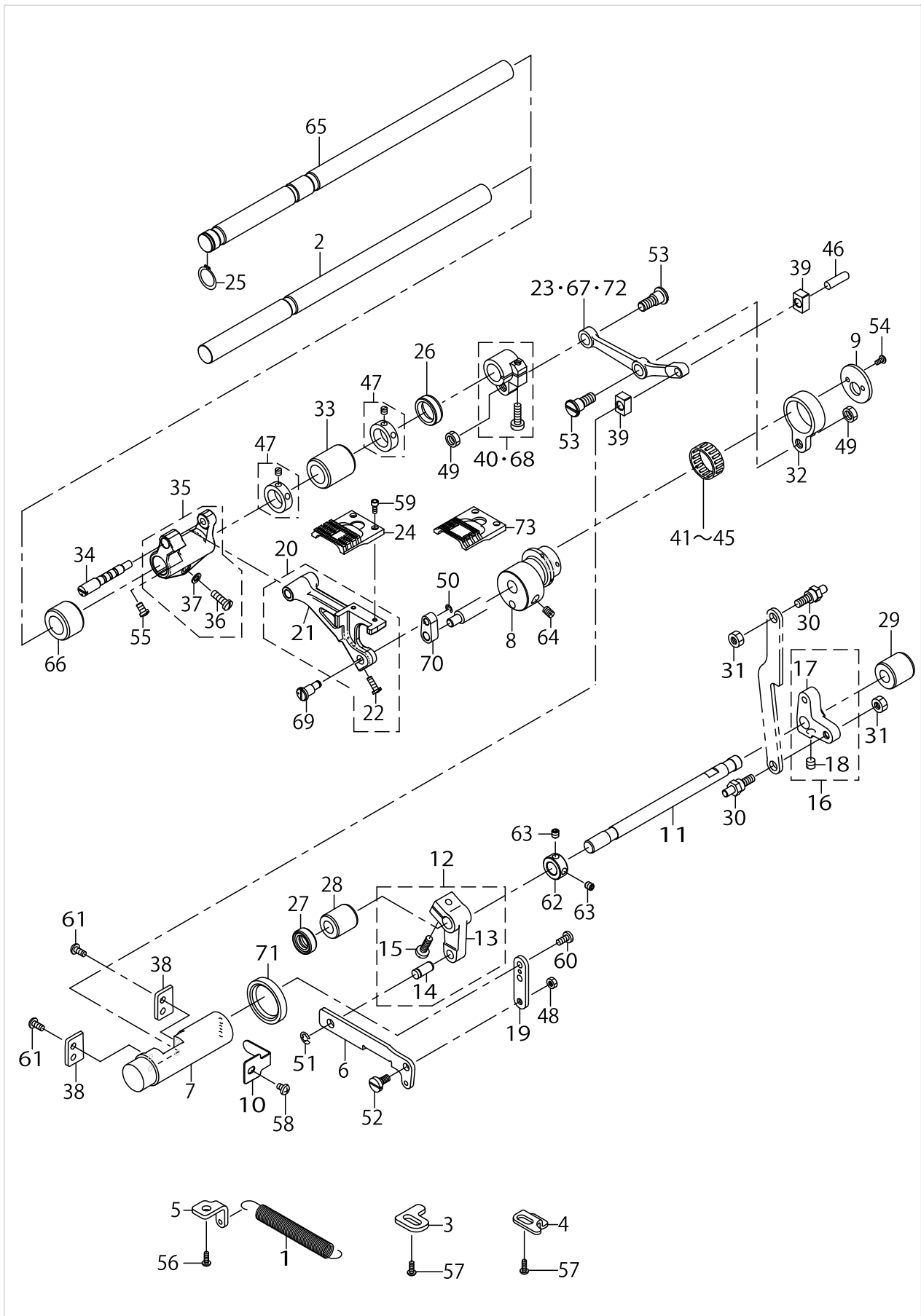
HAND LIFTER COMPONENTS



HAND LIFTER COMPONENTS

No.	Supply Code	Parts No.	Replacement	Parts name	Remarks	Choice	Step	Level	Cons	Qty	Rep. QTY
32		RO037180100		RUBBER RING						1	
33		SD0600341TP		HINGE SCREW D=6.0 H=3.4						1	
34		SD0630275SP		HINGE SCREW D=6.35 H=2.7						1	
35		SD0630301SP		HINGE SCREW D=6.35 H=3						1	
36		SD0630371SP		HINGE SCREW						1	
37		SS7090910TP		SCREW 9/64-40 L=8.5						1	
38		B1505227T00A		PRESSER SPRING T	VARIOUS NOS.FOR DESTINATIONS					1	
39		SS8150510TP		SCREW 15/64-28 L=4.7						1	
40		SS8152030SP		SCREW 15/64-28 L=20						1	
41		WP0740516SP		WASHER 7.4X11.8X0.5						1	
42		22580369		PRESSER FOOT ASM.	FOR LZ-22-90A-SR-7					1	
43		22907406		PRESSER SPRING	VARIOUS NOS.FOR DESTINATIONS					1	

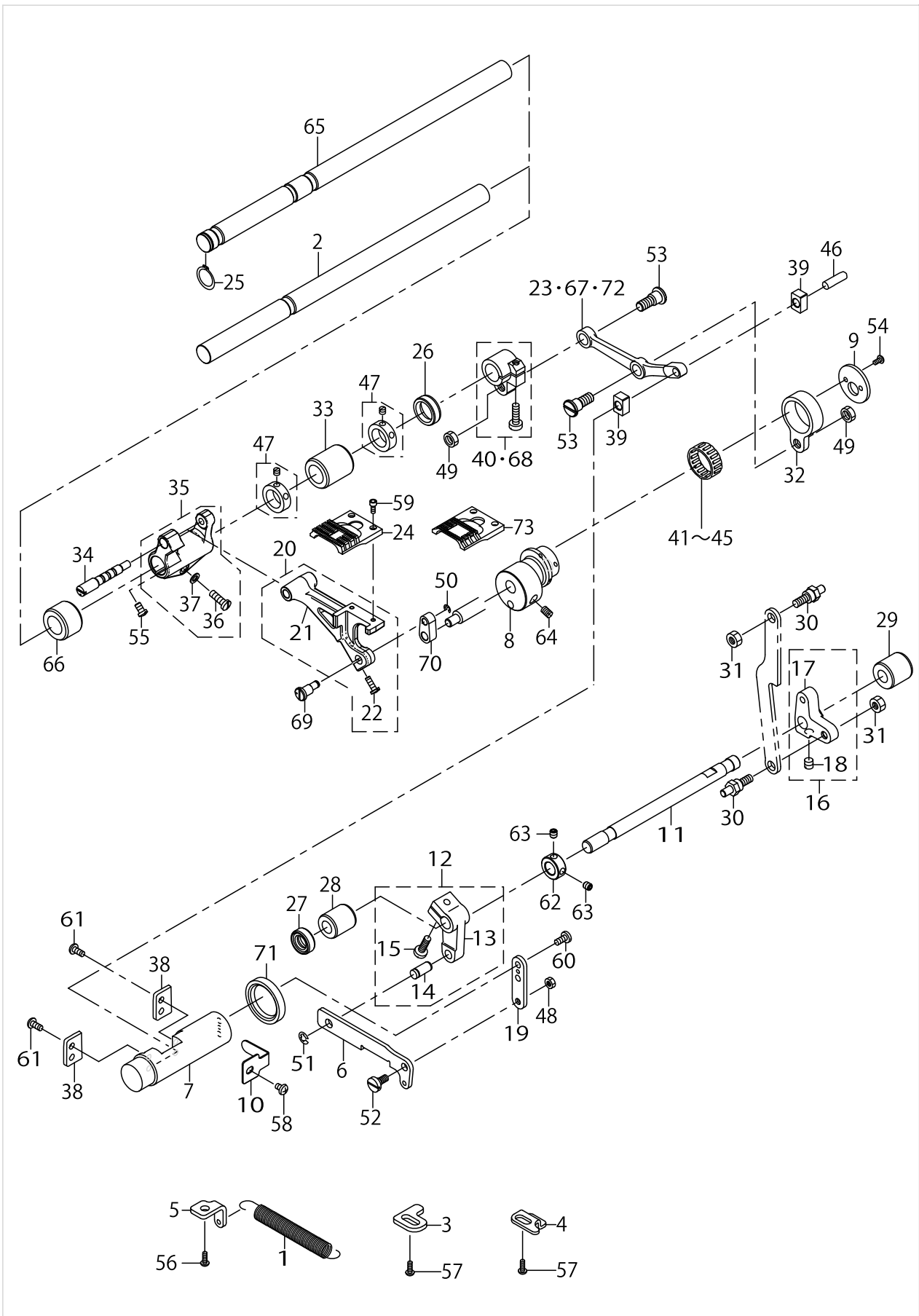
FEED MECHANISM COMPONENTS (1)



FEED MECHANISM COMPONENTS (1)

No.	Supply Code	Parts No.	Replacement	Parts name	Remarks	Choice	Step	Level	Cons	Qty	Rep. QTY
1		23532500		FEED ADJUSTING SPRING	FOR LZ-22-90A-SS/ L-Z-2290A-S-U/ LZ-229-0A-SS-7/ LZ-2290A-SU-7					1	
2		40010311		HORIZONTAL FEED SHAFT	FOR LZ-22-90A-SS/ L-Z-2290A-S-S-7/ LZ-2-290A-SR-7					1	
3		23532906		REGULATE PLATE	FOR LZ-22-90A-SS/ L-Z-2290A-S-U/ LZ-229-0A-SS-7/ LZ-2290A-SU-7					1	
4		23533003		REGULATE PLATE	FOR LZ-22-90A-SS/ L-Z-2290A-S-U/ LZ-229-0A-SS-7/ LZ-2290A-SU-7					1	
5		23532609		FEED SPRING RACK	FOR LZ-22-90A-SS/ L-Z-2290A-S-U/ LZ-229-0A-SS-7/ LZ-2290A-SU-7					1	
6		23532807		FEED REVERSAL LINK	FOR LZ-22-90A-SS/ L-Z-2290A-S-U/ LZ-229-0A-SS-7/ LZ-2290A-SU-7					1	
7		40010318		FEED ADJUSTING A						1	
8		40149246		HORIZONTAL_FEED_CAM						1	
9		23532401		HORIZONTAL FEED CAM COVER						1	
10	D	23532203		FEED ADJUSTING PRESSER						1	
11		40010313		FEED CHANGE SHAFT	FOR LZ-22-90A-SS/ L-Z-2290A-S-U/ LZ-229-0A-SS-7/ LZ-2290A-SU-7					1	
12		40010268		FEED CHANGE ARM A ASM.	FOR LZ-22-90A-SS/ L-Z-2290A-S-U/ LZ-229-0A-SS-7/ LZ-2290A-SU-7					1	
13		40010269		FEED CHANGE ARM A				*		1	
14		22910509		FEED ADJUSTING LINK PIN				*		1	
15		SS7121410TP		SCREW 3/16-28 L=14				*		1	
16		40010270		FEED CHANGE ARM B ASM.	FOR LZ-22-90A-SS/ L-Z-2290A-S-U/ LZ-229-0A-SS-7/ LZ-2290A-SU-7					1	
17		40010271		FEED CHANGE ARM B				*		1	
18		SS8660612TP		SCREW 1/4-40 L=6				*		1	
19		23532708		FEED ADJUSTING ARM	FOR LZ-22-90A-SS/ L-Z-2290A-S-U/ LZ-229-0A-SS-7/ LZ-2290A-SU-7					1	

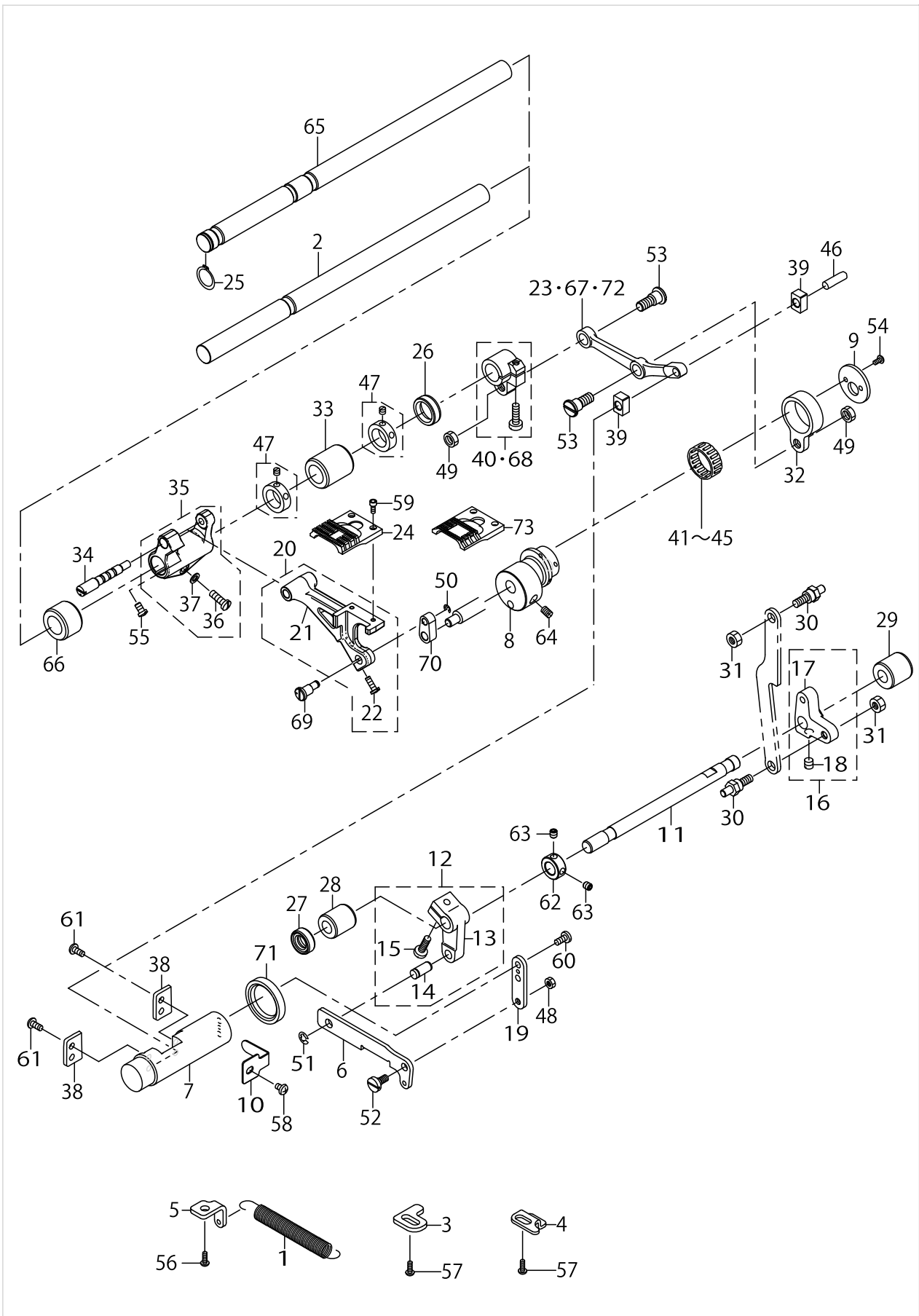
FEED MECHANISM COMPONENTS (1)



FEED MECHANISM COMPONENTS (1)

No.	Supply Code	Parts No.	Replacement	Parts name	Remarks	Choice	Step	Level	Cons	Qty	Rep. QTY
20		40149244		FEED_BASE_ASM	FOR LZ-22-90A-SS/ L-Z-2290A-S-S-7/ LZ-2-290A-SR-7					1	
21		40149245		FEED_BASE				*		1	
22		SS7091110TP		SCREW 9/64-40 L=10.5				*		1	
23		40010276		HORIZONTAL FEED JUNCTION ROD	FOR LZ-22-90A-SS/ L-Z-2290A-S-S-7/ LZ-2-290A-SR-7					1	
24		22581508		FEED DOG						1	
25		RC0150001KP		RETAINING RING 13.8	FOR LZ-22-90A-SU/ L-Z-2290A-SU-7					1	
26		40139216		OIL_SEAL						1	
27		23612609		FEED CHANGING SHAFT OIL SEAL	FOR LZ-22-90A-SS/ L-Z-2290A-S-U/ LZ-229-0A-SS-7/ LZ-2290A-SU-7					1	
28		23612807		METAL A	FOR LZ-22-90A-SS/ L-Z-2290A-S-U/ LZ-229-0A-SS-7/ LZ-2290A-SU-7					1	
29		23612906		METAL B	FOR LZ-22-90A-SS/ L-Z-2290A-S-U/ LZ-229-0A-SS-7/ LZ-2290A-SU-7					1	
30		23613102		FEED CHANGING S-HAFT ARM B PIN	FOR LZ-22-90A-SS/ L-Z-2290A-S-U/ LZ-229-0A-SS-7/ LZ-2290A-SU-7					2	
31		NS6150310SP		NUT 15/64-28	FOR LZ-22-90A-SS/ L-Z-2290A-S-U/ LZ-229-0A-SS-7/ LZ-2290A-SU-7					2	
32		26300509		HORIZONTAL FEED ROD						1	
33		23616709		FEED ROCKER SHAFT METAL						1	
34		40125485		FEED_BASE_SHAFT	FOR LZ-22-90A-SS/ L-Z-2290A-S-S-7/ LZ-2-290A-SR-7					1	
35		22940654		FEED ROCKER ASM.	FOR LZ-22-90A-SS/ L-Z-2290A-S-S-7/ LZ-2-290A-SR-7					1	
36		SS7121410TP		SCREW 3/16-28 L=14				*		1	
37	R	WP0480856SD	WP0480856SP	WASHER 4.8X8.4X0.8				*		1	1.00
38	R	10027308	26303404	PLATE A						2	1.00
39		40050457		FEED DRIVING ROCKER BLOCK						2	
40		B16085550A0		FEED ROCKER SHAFT CRANK ASM.	FOR LZ-22-90A-SS/ L-Z-2290A-S-S-7/ LZ-2-290A-SR-7					1	

FEED MECHANISM COMPONENTS (1)

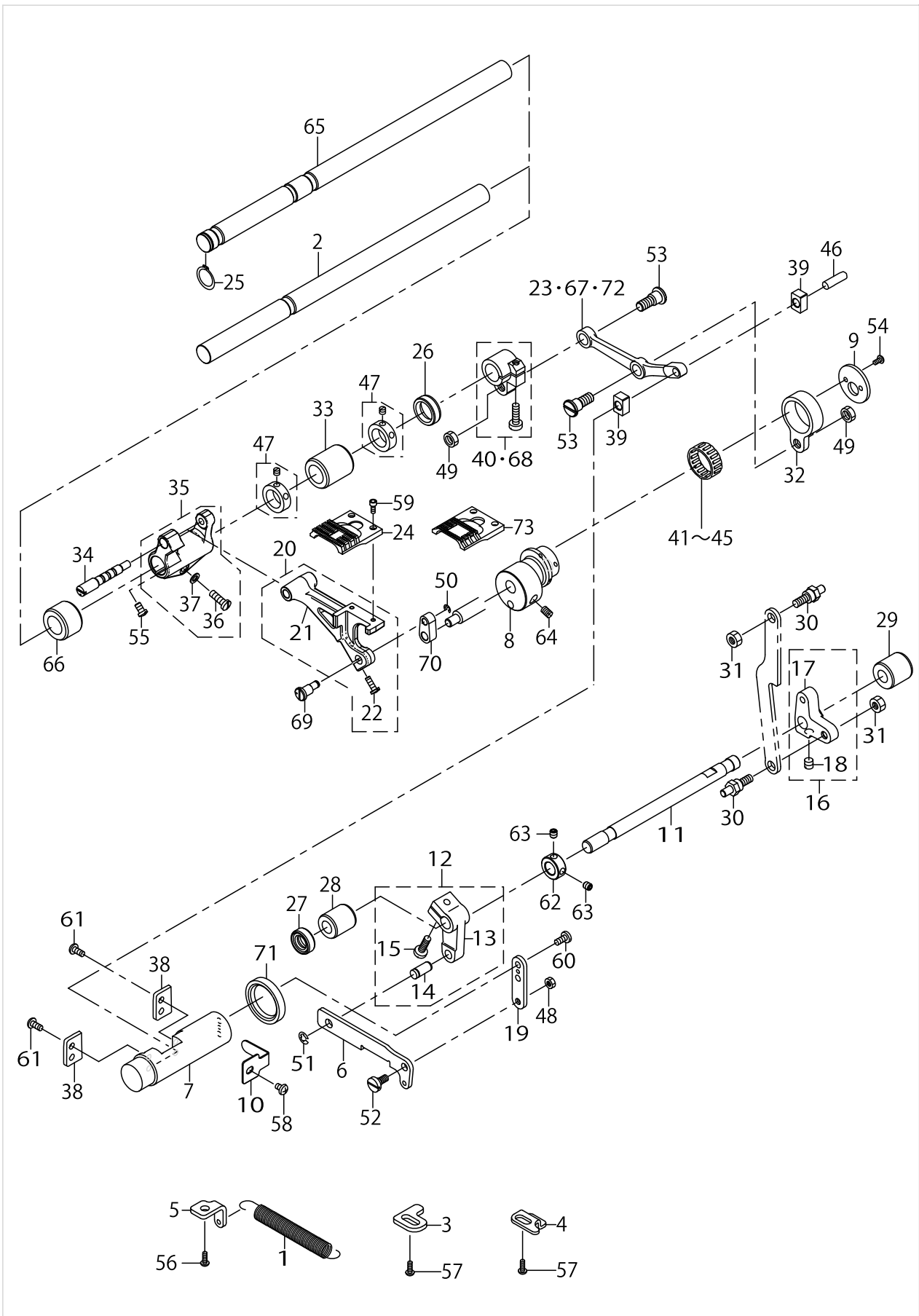


FEED MECHANISM COMPONENTS (1)

No.	Supply Code	Parts No.	Replacement	Parts name	Remarks	Choice	Step	Level	Cons	Qty	Rep. QTY
41		SB3220002CA		BEARING	SELECTIVE PARTS					1	
42		SB3220002CB		BEARING	SELECTIVE PARTS					1	
43		SB3220002CC		BEARING	SELECTIVE PARTS					1	
44		SB3220002CD		BEARING	SELECTIVE PARTS					1	
45		SB3220002CE		BEARING	SELECTIVE PARTS					1	
46	R	B1653470000	40032271	PIN						1	1.00
47		CS1470710SH		THRUST COLLAR A-SM. D=14.72 W=7						2	
48		NS6120310SP		NUT 3/16-28	FOR LZ-22-90A-SS/ L-Z-2290A-S-U/ LZ-229-0A-SS-7/ LZ-2290A-SU-7					1	
49		NS6680410SP		NUT 9/32-28						2	
50		RE0300000K0		E-RING 3						1	
51		RE0500000K0		E-RING	FOR LZ-22-90A-SS/ L-Z-2290A-S-U/ LZ-229-0A-SS-7/ LZ-2290A-SU-7					1	
52		SD0600321SP		HINGE SCREW D=6 H=3.2	FOR LZ-22-90A-SS/ L-Z-2290A-S-U/ LZ-229-0A-SS-7/ LZ-2290A-SU-7					1	
53		SD0900701TP		HINGESCREWD=9H=7						2	
54		SS4080620TP		SCREW 1/8-44 L=6						2	
55		SS7110740TP		SCREW 11/64-40 L=7	FOR LZ-22-90A-SS/ L-Z-2290A-S-S-7/ LZ-2-290A-SR-7					1	
56		SS4150915SP		SCREW 15/64-28 L=9	FOR LZ-22-90A-SS/ L-Z-2290A-S-U/ LZ-229-0A-SS-7/ LZ-2290A-SU-7					1	
57		SS4150915SP		SCREW 15/64-28 L=9	FOR LZ-22-90A-SS/ L-Z-2290A-S-U/ LZ-229-0A-SS-7/ LZ-2290A-SU-7					2	
58		SS4110615SP		SCREW 11/64-40 L=6						1	
59		SS6580752TP		SCREW 1/8-40 L=7						2	
60		SS7110910TP		SCREW 11/64-40 L=8.5	FOR LZ-22-90A-SS/ L-Z-2290A-S-U/ LZ-229-0A-SS-7/ LZ-2290A-SU-7					2	
61		SS4110915SP		SCREW 11/64-40 L=9						4	
62		CS1000881TP		THRUST COLLAR	FOR LZ-22-90A-SS/ L-Z-2290A-S-U/ LZ-229-0A-SS-7/ LZ-2290A-SU-7					1	



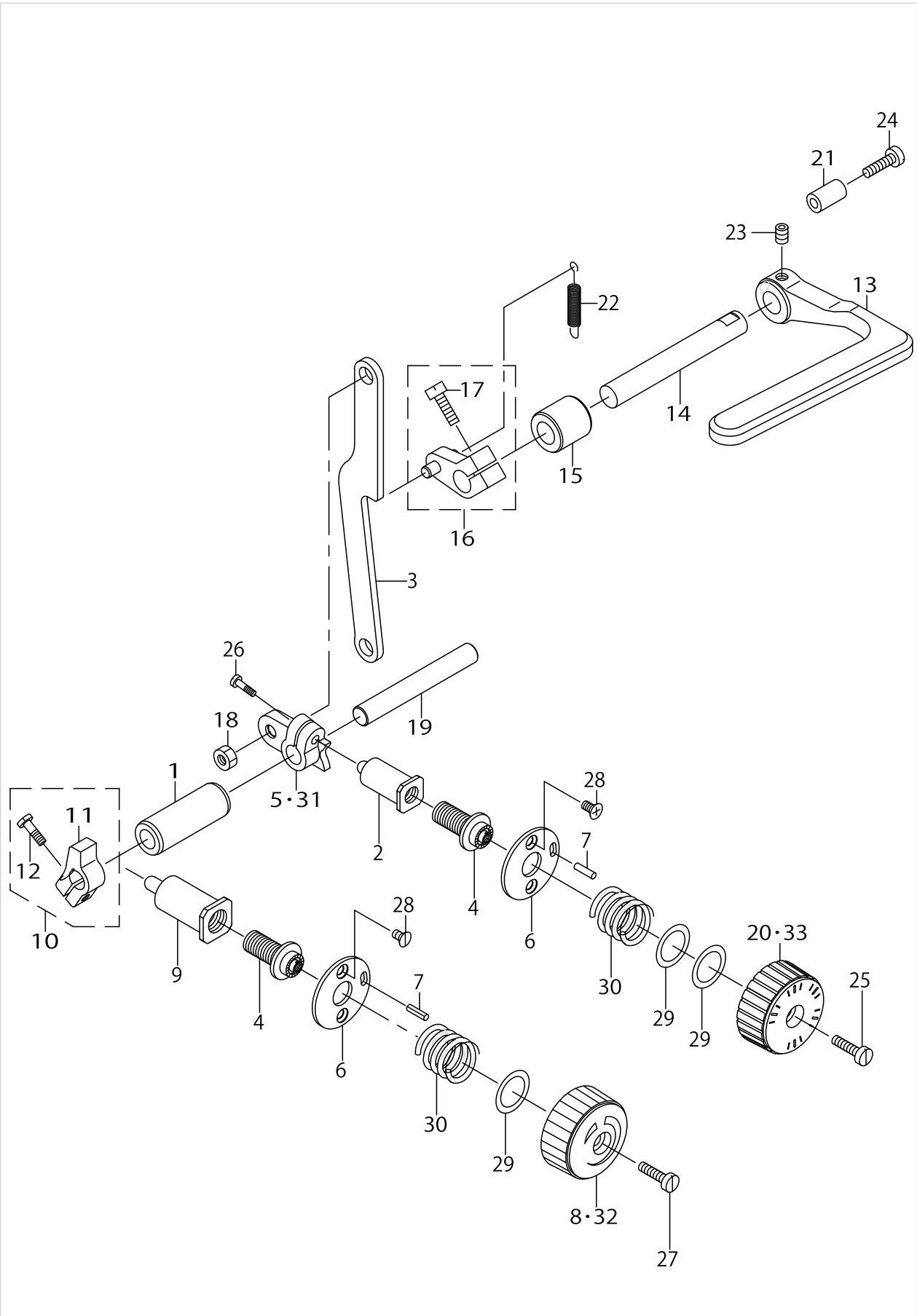
FEED MECHANISM COMPONENTS (1)



FEED MECHANISM COMPONENTS (1)

No.	Supply Code	Parts No.	Replacement	Parts name	Remarks	Choice	Step	Level	Cons	Qty	Rep. QTY
63		SM80506A2TP		SCREW M5 L=6	FOR LZ-22-90A-SS/ L-Z-2290A-S-U/ LZ-229-0A-SS-7/ LZ-2290A-SU-7					2	
64		SS8660810TP		SCREW 1/4-40 L=8						2	
65		40010312		HORIZONTAL FEED SHAFT U	FOR LZ-22-90A-SU/ L-Z-2290A-SU-7					1	
66		23545304		HORIZONTAL FEED SHAFT METAL B	FOR LZ-22-90A-SU/ L-Z-2290A-SU-7					1	
67		26303206		HORIZONTAL FEED JUNCTION ROD	FOR LZ-22-90A-SU/ L-Z-2290A-SU-7					1	
68		10027100		FEED ROCKER SHAFT CRANK	FOR LZ-22-90A-SU/ L-Z-2290A-SU-7					1	
69		26303107		VERTICAL FEED LINK SHAFT						1	
70		40125483		VERTICAL_FEED_LINK						1	
71		23532005		FEED ADJUSTING OIL SEAL						1	
72		40011850		CONNECTING ROD	FOR LZ-22-90A-SR-7					1	
73		40018430		FEED DOG	FOR LZ-22-90A-SR-7					1	

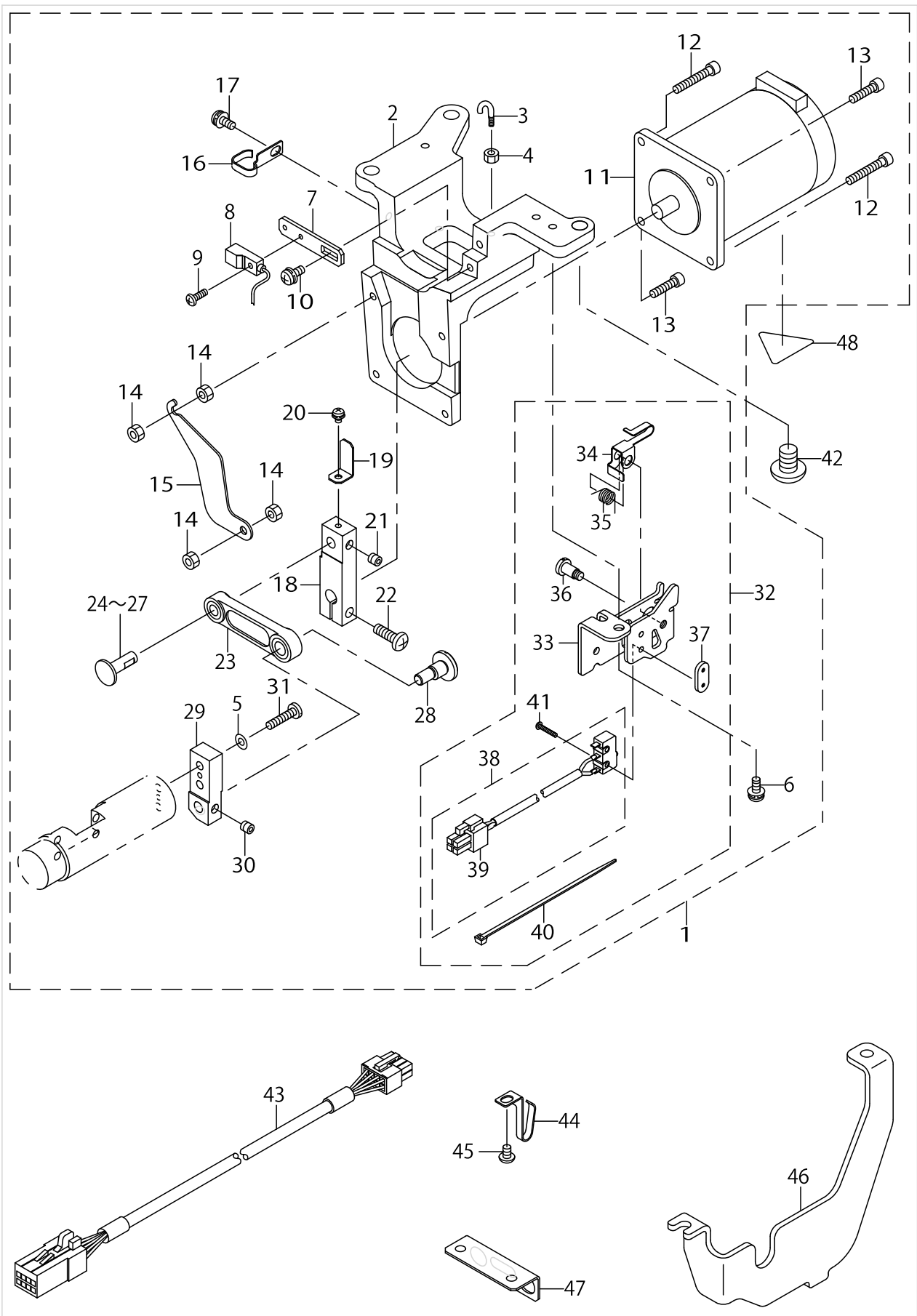
FEED MECHANISM COMPONENTS (2)(EXCEPT LZ-2290A-SR-7)



FEED MECHANISM COMPONENTS (2)(EXCEPT LZ-2290A-SR-7)

No.	Supply Code	Parts No.	Replacement	Parts name	Remarks	Choice	Step	Level	Cons	Qty	Rep. QTY
1	D	23533706		FEED ADJUSTING SHAFT METAL						1	
2		23533805		FEED ADJUSTING SHAFT						1	
3		23533409		FEED ADJUSTING ROD						1	
4		23533904		FEED ADJUSTING SCREW						2	
5		40010272		FEED BLIND CONTROLLER						1	
6		23534019		FEED ADJUSTING BASE						2	
7		PS0300122KH		SPRING PIN 3X12						2	
8		23534407		CONDENS DIAL	FOR LZ-22-90A-SS/ L-Z-2290A-SS-7					1	
9		23534308		CONDENS ADJUSTING SHAFT						1	
10		23534258		CONDENS STOPPER ASM.						1	
11	R	23534209	23534258	CONDENS STOPPER					*	1	1.00
12		SS7121410TP		SCREW 3/16-28 L=14					*	1	
13		23613607		FEED LEVER						1	
14		23613706		FEED LEVER SHAFT						1	
15		23613805		FEED LEVER SHAFT METAL						1	
16		23613953		FEED LEVER ARM ASM.						1	
17		SS6121610SP		SCREW 3/16-28 L=15.5					*	1	
18		NS6150310SP		NUT 15/64-28						1	
19		23533607		FEED ADJUSTING SHAFT						1	
20		11071909		FEED DIAL	FOR LZ-22-90A-SS/ L-Z-2290A-SS-7					1	
21		22952501		BACK LEVER STOPPER						1	
22		11302700		SPRING						1	
23		SM8060812TP		SCREW M6 L=8						2	
24		SS6121840SP		SCREW 3/16-28 L=18						1	
25		SS6121860SP		SCREW 3/16-28 L=18						1	
26		SS7121410TP		SCREW 3/16-28 L=14						1	
27		SS6121860SP		SCREW 3/16-28 L=18						1	
28		SS1110710SP		SCREW 11/64-40 L=7						4	
29		WP1651616SD		WASHER						3	
30		23534506		FEED DIAL SPRING						2	
31		40010273		FEED BLIND CONTROLLER U	FOR LZ-22-90A-SU/ L-Z-2290A-SU-7					1	
32		23545007		CONDENS DIAL U	FOR LZ-22-90A-SU/ L-Z-2290A-SU-7					1	
33		26302000		FEED DIAL	FOR LZ-22-90A-SU/ L-Z-2290A-SU-7					1	

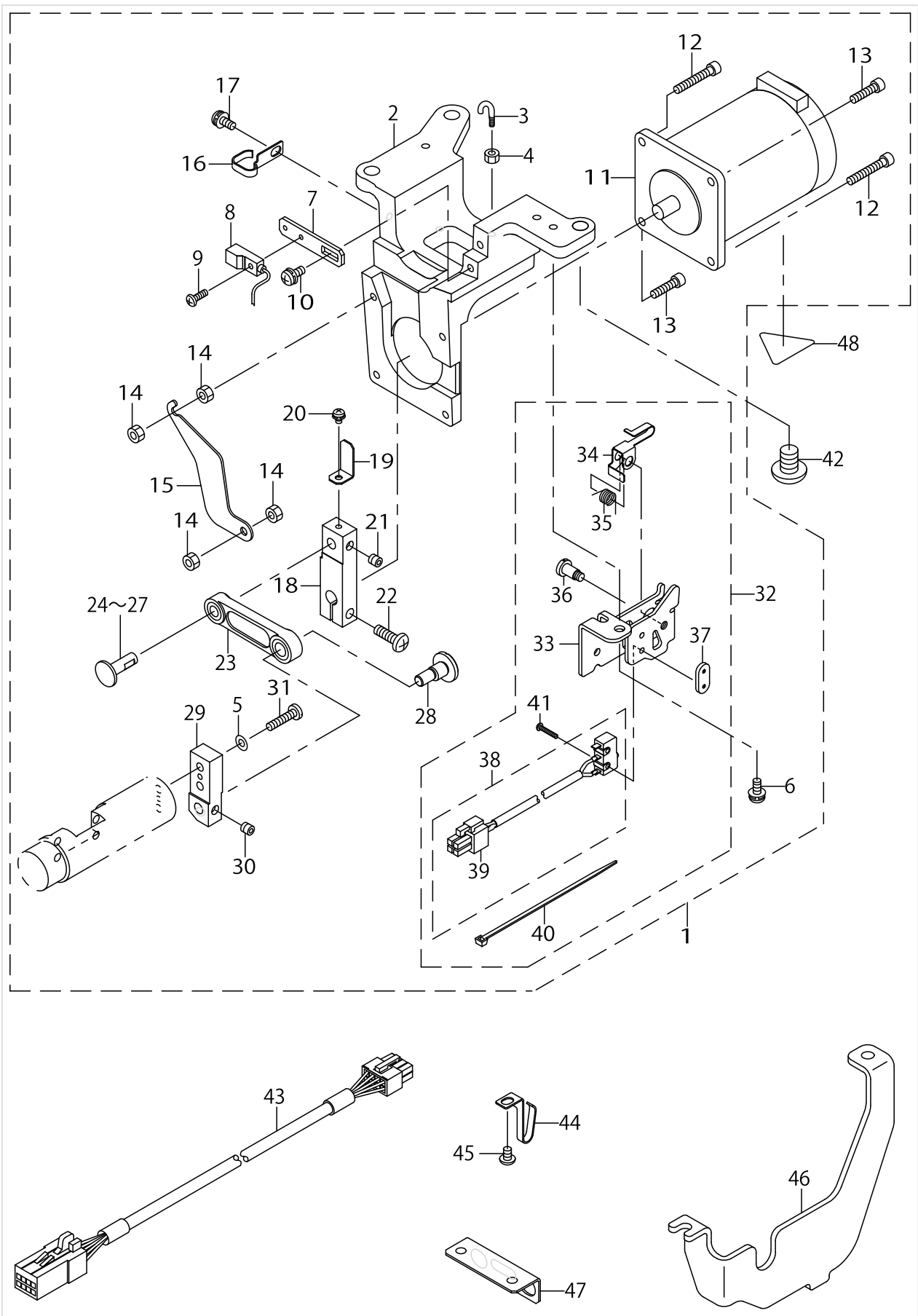
FEED MECHANISM COMPONENTS (3)(FOR LZ-2290A-SR-7)



FEED MECHANISM COMPONENTS (3)(FOR LZ-2290A-SR-7)

No.	Supply Code	Parts No.	Replacement	Parts name	Remarks	Choice	Step	Level	Cons	Qty	Rep. QTY
1		40011831		ASSY FEED PULSE MOTOR UNIT						1	
2		40011832		FEED PULSE MOTOR BASE				*		1	
3		40009305		SUSPENSION SCREW				*		1	
4		NS6090310SP		NUT 9/64-40				*		1	
5		WP0460556SD		WASHER 4.6X7.5X0.5				*		2	
6		SL4040891SC		SCREW M4 L=8				*		2	
7		40011839		SENSOR BASE				*		1	
8		M8523476AA0		ZERO SENSOR A ASM.				*		1	
9		SM4860801SN		SCRER M2.6 L=8				*		1	
10		SL4040891SC		SCREW M4 L=8				*		1	
11		KM000000350		PULSE MOTOR				*		1	
12		SM6042502TP		SCREW M4X0.7 L=25				*		2	
13		SM6041602TP		SCREW M4X0.7 L=16				*		2	
14		NM6040000SN		NUT M4				*		4	
15		40011843		PIPE GUIDE PLATE C				*		1	
16		40022407		CORD HOLDER				*		4	
17		SL4040891SC		SCREW M4 L=8				*		4	
18		40011836		PULSE MOTOR LINK B				*		1	
19		40011840		SENSOR SLIT				*		1	
20		SL4030581SC		COMBINATION SCREW M3X5				*		1	
21		SM8050612TP		SCREW M5X6				*		1	
22		SM4051655SP		SCREW M5 L=16				*		1	
23		40011833		ASSY PULSE MOTOR LINK A				*		1	
24		40010286		JUNCTION SHAFT A	SELECTIVE PARTS			*		1	
25		40010287		JUNCTION SHAFT B	SELECTIVE PARTS			*		1	
26		40010288		JUNCTION SHAFT C	SELECTIVE PARTS			*		1	
27		40010289		JUNCTION SHAFT D	SELECTIVE PARTS			*		1	
28	D	40011838		FEED LINK SHAFT				*		1	
29		40011837		PULSE MOTOR LINK C				*		1	
30		SM8050612TP		SCREW M5X6				*		2	
31		SS7111810TP		SCREW 11/64-40 L=18				*		2	
32		23541352		SAFETY SWITCH ASM.				*		1	
33	R	23541303	23541352	SAFETY SWITCH BASE				*		1	1.00
34		23638109		SAFETY SWITCH ARM				*		1	
35	R	23638208	23638059	SAFETY SWITCH SPRING				*		1	1.00
36		23638307		SAFETY SWITCH ARM SHAFT				*		1	
37	R	23638406	23638059	SAFETY SWITCH NUT				*		1	1.00
38		23541451		SAFETY SWITCH CORD ASM.				*		1	
39		HK034610060		HOUSING 6P				*		1	
40		EA9500B0100		CABLE BAND				*		1	
41		SM4021201SC		SCREW M2 L=12				*		2	
42		SS4151215SP		SCREW 15/64-28 L=12						3	
43		40017098		BTPM RELAY CABLE ASM.						1	
44		B3508220000		OIL TUBE HOLDER						1	
45		SS4120615SP		SCREW 3/16-28 L=6						1	
46	D	40011841		BED SUPPORT PLATE B						1	

FEED MECHANISM COMPONENTS (3)(FOR LZ-2290A-SR-7)

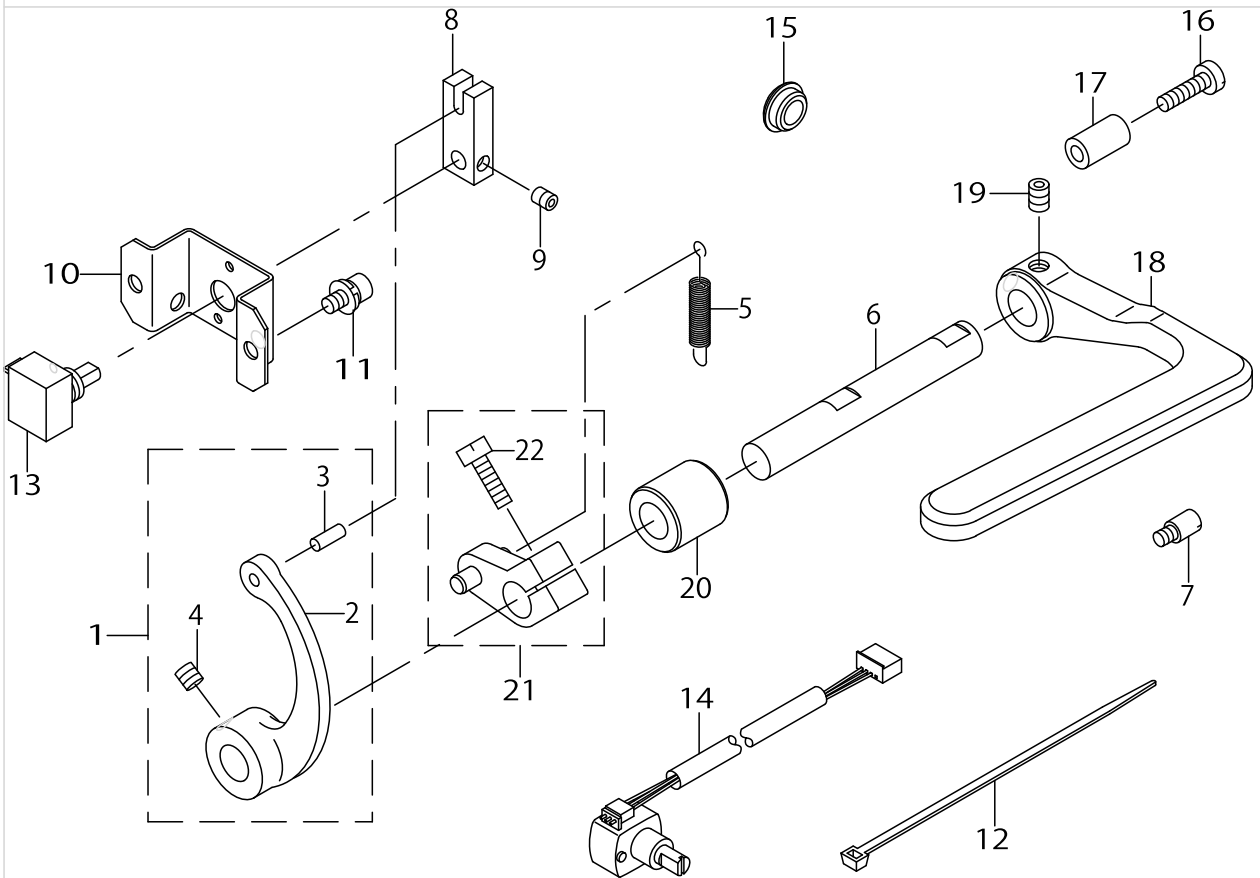


FEED MECHANISM COMPONENTS (3)(FOR LZ-2290A-SR-7)

No.	Supply Code	Parts No.	Replacement	Parts name	Remarks	Choice	Step	Level	Cons	Qty	Rep. QTY
47		40011842		PIPE GUIDE PLATE B						1	
48		CM300300003		ATTENTION SEAL 2(31.5)						1	



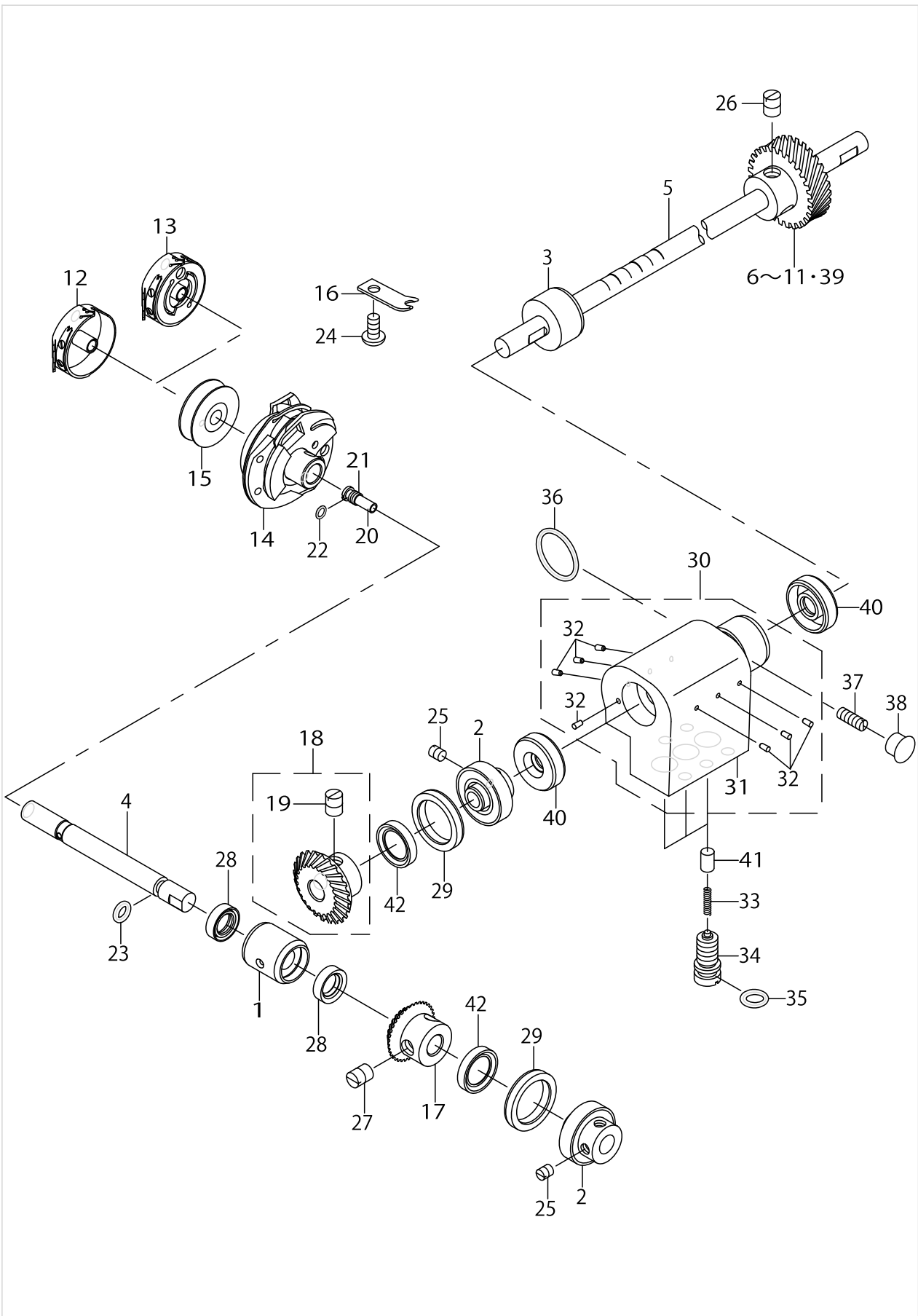
FEED MECHANISM COMPONENTS (4)(FOR LZ-2290A-SR-7)



FEED MECHANISM COMPONENTS (4)(FOR LZ-2290A-SR-7)

No.	Supply Code	Parts No.	Replacement	Parts name	Remarks	Choice	Step	Level	Cons	Qty	Rep. QTY
1		40011847		ASSY FEED LEVER ROD						1	
2		40011848		FEED LEVER ROD				*		1	
3		11846805		HOLDER PIN				*		1	
4		SM8060612TP		SCREW M6 L=6				*		1	
5		11050705		LEVER RETURN SPRING						1	
6		40011849		FEED LEVER SHAFT						1	
7		B1114280000		PIN						1	
8		40011844		VOLUME LINK						1	
9		SM8050612TP		SCREW M5X6						1	
10		40011846		LEVER SENSOR PLATE						1	
11		SL6051092TN		BOLT						2	
12		EA9500B0100		CABLE BAND						2	
13		HD001530000		SENSOR						1	
14		40016039		FEED LEVER SENSOR ASSY						1	
15		TA1250406R0		RUBBER PLUG D=12.5 L=4						1	
16		SS6121860SP		SCREW 3/16-28 L=18						1	
17		22952501		BACK LEVER STOPPER						1	
18		23613607		FEED LEVER						1	
19		SM8060812TP		SCREW M6 L=8						2	
20		23613805		FEED LEVER SHAFT METAL						1	
21		23613953		FEED LEVER ARM ASM.						1	
22		SS6121610SP		SCREW 3/16-28 L=15.5				*		1	

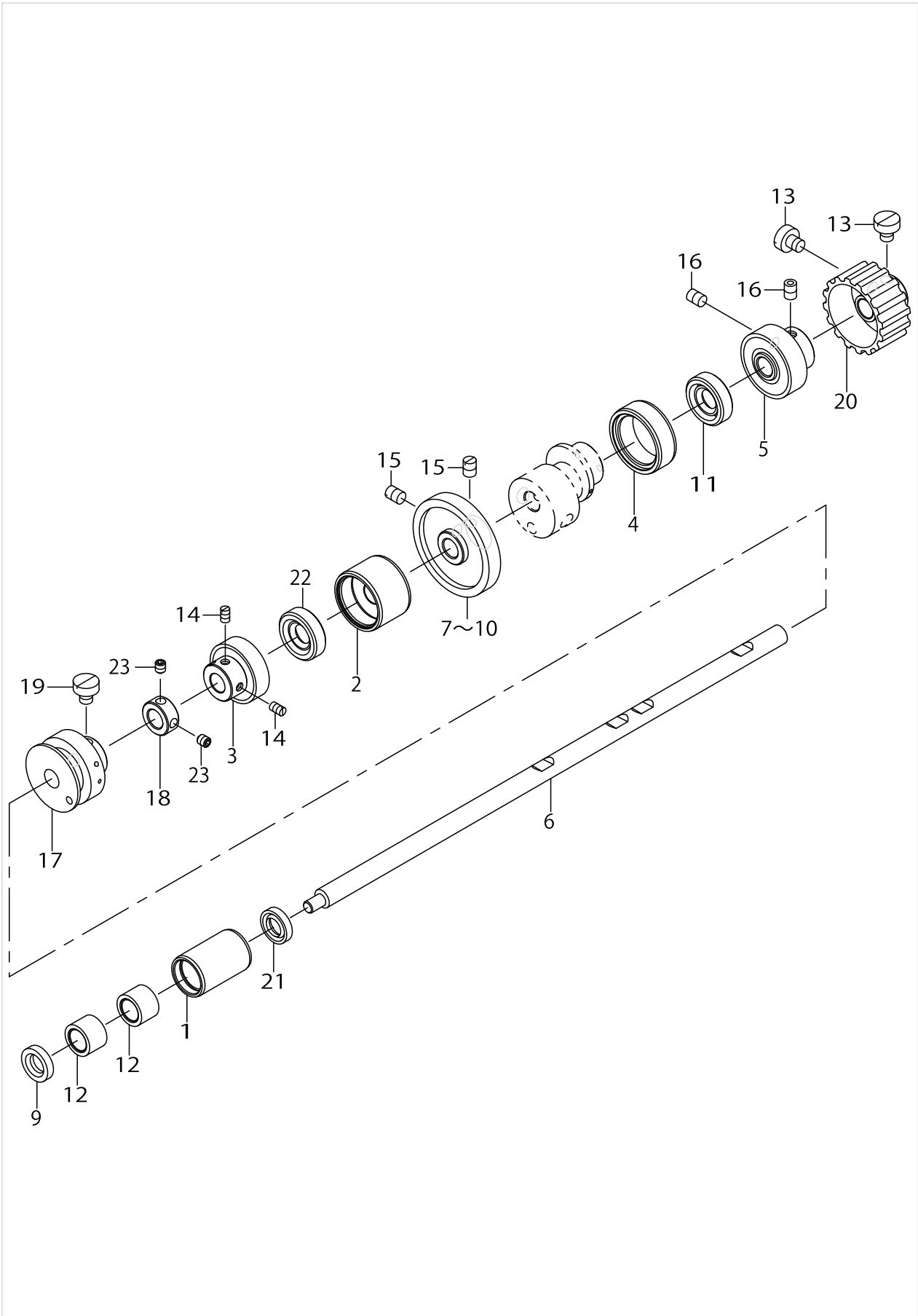
HOOK DRIVING SHAFT COMPONENTS (1)



HOOK DRIVING SHAFT COMPONENTS (1)

No.	Supply Code	Parts No.	Replacement	Parts name	Remarks	Choice	Step	Level	Cons	Qty	Rep. QTY
1		23535107		HOOK SHAFT FRONT METAL						1	
2		40003590		HOOK SHAFT BEARING ASM.						2	
3		23535602		HOOK DRIVING SH- AFT REAR METAL						1	
4		40010283		HOOK SHAFT						1	
5		40003567		HOOK DRIVING SHAFT	SELECTIVE PARTS					1	
6		23536303		HOOK DRIVING GEAR (SMALL) A	SELECTIVE PARTS					1	
7	D	23536402		HOOK DRIVING GEAR (SMALL) B	SELECTIVE PARTS					1	
8		23536501		HOOK DRIVING GEAR (SMALL) C	SELECTIVE PARTS					1	
9	D	23536600		HOOK DRIVING GEAR (SMALL) D	SELECTIVE PARTS					1	
10	D	23536709		HOOK DRIVING GEAR (SMALL) E	SELECTIVE PARTS					1	
11		23536808		HOOK DRIVING GEAR (SMALL) F	SELECTIVE PARTS					1	
12		40003599		BOBBIN CASE COMPL.						1	
13		40003598		BOBBIN CASE ASM.	FOR LZ-22- 90A-SS/ L- Z-2290A-S- U/ LZ-229- 0A-SS-7/ LZ-2290A-- SU-7/ LZ-- 2290A-SR-7					1	
14		22525877		HOOK COMPL. V						1	
15		22596704		BOBBIN S						1	
16		23503402		INNER HOOK STOPPER						1	
17	R	B1308155000	B13081550A0	MITRE GEAR SMALL						1	1.00
18		B13071550A0		GEAR ASM. LARGE						1	
19		SS8660810TP		SCREW 1/4-40 L=8				*		2	
20		11015906		OIL WICK						1	
21		22916506		SET SCREW						1	
22		RO036080200		RUBBER RING						1	
23		RO048190100		RUBBER RING						1	
24		SS4110915SP		SCREW 11/64-40 L=9						1	
25		SS8110520TP		SCREW 11/64-40 L=4.5						4	
26		SS8660810TP		SCREW 1/4-40 L=8						2	
27		SS8660810TP		SCREW 1/4-40 L=8						2	
28		40120730		HOOK SHAFT OIL SEAL						2	
29		40010282		OIL SEAL COLLAR						2	
30		40010261		PUMP METAL ASM.						1	
31	R	40010262	40010261	PUMP METAL				*		1	1.00
32		TA0180401M0		NEEDLE COOLER PLUG CAP				*		7	
33		23628902		PLUNGER SPRING						3	
34		23629009		PLUNGER SCREW						3	
35		RO068190100		RUBBER RING						3	
36		RO172180100		RUBBER RING						1	
37		SS8111251SP		SCREW 11/64-40 L=12.0						1	
38		TA0850604R0		RUBBER PLUG						1	
39		23538903		HOOK DRIVING GEAR (SMALL) S	SELECTIVE PARTS					1	
40		22890008		HOOK DRIVING SHAFT OIL SEAL						2	
41		23628803		PLUNGER						3	
42		40011424		HOOK GEAR BOX OIL SEAL						2	

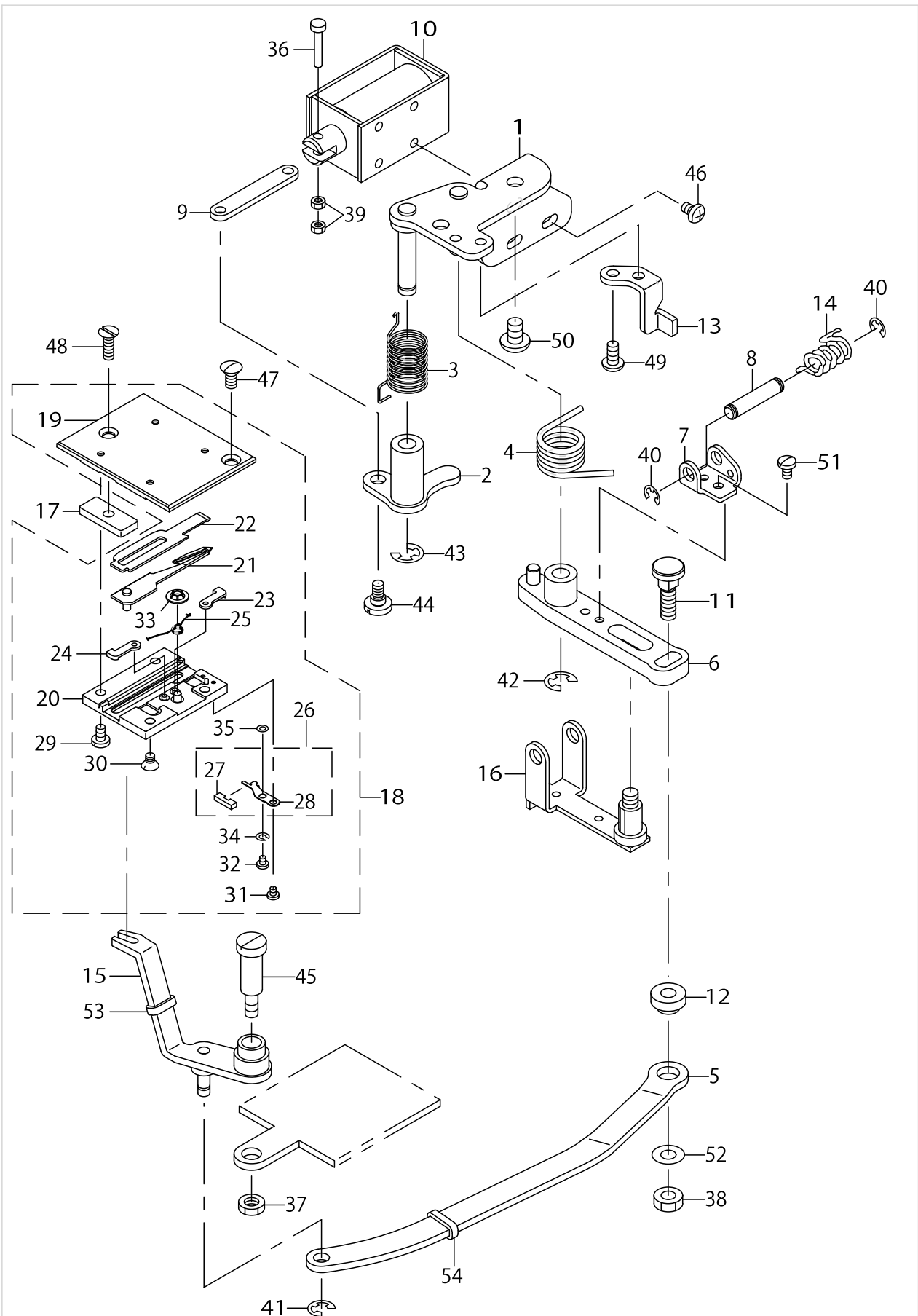
HOOK DRIVING SHAFT COMPONENTS (2)



HOOK DRIVING SHAFT COMPONENTS (2)

No.	Supply Code	Parts No.	Replacement	Parts name	Remarks	Choice	Step	Level	Cons	Qty	Rep. QTY
1		40010316		LOWER SHAFT FRONT BEARING BUSH						1	
2		40010314		LOWER SHAFT INNER METAL						1	
3		23536055		LOWER SHAFT INNER BEARING ASM.						1	
4		23536105		LOWER SHAFT REAR BUSH						1	
5		23536253		LOWER SHAFT REAR BEARING ASM.						1	
6		40010303		LOWER SHAFT	FOR LZ-22-90A-SS/ LZ-2290A-S-S-7/ LZ-2-290A-SR-7					1	
7		40149251		HELICAL_GEAR_A	SELECTIVE PARTS					1	
8		40149252		HELICAL_GEAR_B	SELECTIVE PARTS					1	
9		40149253		HELICAL_GEAR_C	SELECTIVE PARTS					1	
10		40149254		HELICAL_GEAR_D	SELECTIVE PARTS					1	
11		G1615880000		OIL SEAL						1	
12		SB3100010C0		BEARING						2	
13		SS6660710TP		SCREW 1/4-40 L=7						2	
14		SS8110750SP		SCREW 11/64-40 L=6.5						2	
15		SS8660810TP		SCREW 1/4-40 L=8						2	
16		SM8060812TP		SCREW M6 L=8						2	
17		23541709		THREAD TRIMMER CAM						1	
18		CS1000881TP		THRUST COLLAR						1	
19		SS6660710TP		SCREW 1/4-40 L=7						2	
20		40160262		LOWER_SHAFT_SPROCKET						1	
21	R	B2508704000	40176173	OIL SEAL						2	1.00
22		G1615880000		OIL SEAL						1	
23		SM80506A2TP		SCREW M5 L=6						2	

THREAD TRIMMER MECHANISM COMPONENTS(FOR LZ-2290A-SS-7,LZ-2290A-SU-7,LZ-2290A-SR-7)

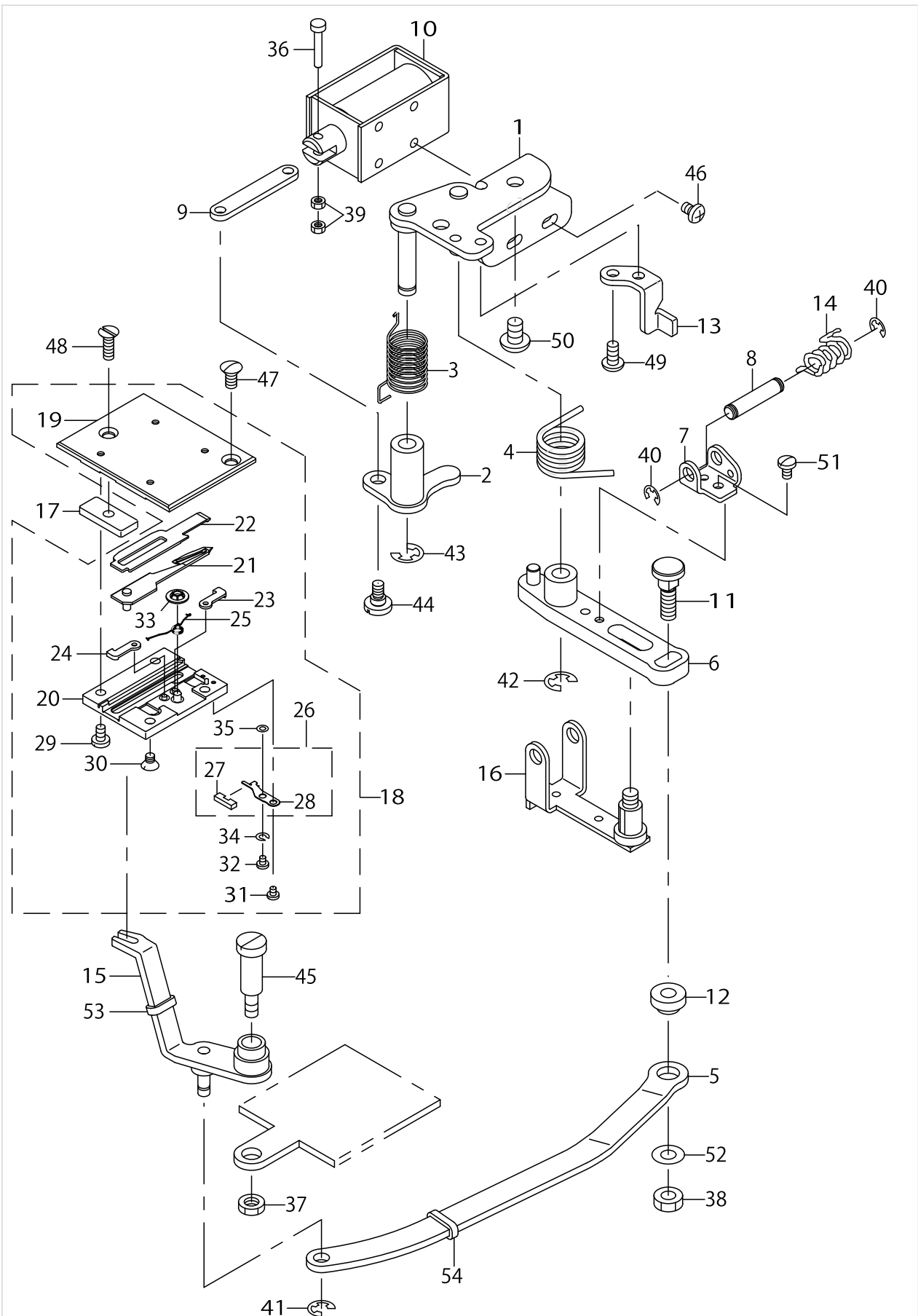


THREAD TRIMMER MECHANISM COMPONENTS(FOR LZ-2290A-SS-7,LZ-2290A-SU-7,LZ-2290A-SR-7)

No.	Supply Code	Parts No.	Replacement	Parts name	Remarks	Choice	Step	Level	Cons	Qty	Rep. QTY
1		40010290		BASE PLATE ASM.						1	
2		23542053		CLUTCH PLATE ASM.						1	
3		23542103		CLUTCH RETURN SPRING						1	
4		23542202		KNIFE RETURN SPARING						1	
5		23541808		MOVING KNIFE LINK						1	
6	R	11040854	22948558	KNIFE DRIVING ARM ASM.						1	1.00
7		22949002		ROLLER ARM SEAT						1	
8		22949101		ROLLER FULCRUM SHAFT						1	
9		22554505		CLUTCH LINK						1	
10	R	23542301	40106080	THREAD TRIMMER SOLENOID						1	1.00
11		40010295		MOVING KNIFE LINK PIN						1	
12		22554802		MOVING KNIFE LINK BASE						1	
13		22554901		DRIVING ARM STOPPER						1	
14		22555304		ROLLER RETURN SPRING						1	
15		22555551		FORK KNIFE ASM.						1	
16		22555858		ROLLER ARM ASM.						1	
17		22556906		FIXED PLATE						1	
18		22557458		KNIFE UNIT						1	
19		22558308		SLIDING PLATE				*		1	
20		22558407		KNIFE BASE				*		1	
21		22557557		DRIVING KNIFE ASM.				*		1	
22		22557706		FIXED KNIFE				*		1	
23		22557805		KNIFE STOPPER RIGHT				*		1	
24		22557904		KNIFE STOPPER LEFT				*		1	
25		22558209		SPRING				*		1	
26		22558159		CLAMP PLATE ASM.				*		1	
27		22558001		FELT				*		1	
28		22558100		CLAMP PLATE				*		1	
29		SS7090610SP		SCREW 9/64-40 L=6				*		2	
30		SS1090510SP		SCREW 9/64-40 L=5				*		2	
31		SS7060310SP		SCREW 3/32-56 L=3				*		1	
32		SS7060310SP		SCREW 3/32-56 L=3				*		1	
33		NP210300000		LOCATING SPRING WASHER				*		1	
34		WS0270002KN		SPRING WASHER M2.6				*		1	
35		D2056772B0B		WASHER B T=0.4				*		1	
36		23542418		CLUTCH LINK PIN						1	
37		NS6150310SP		NUT 15/64-28						1	
38		NS6150430SP		NUT 15/64-28						1	
39		NM6030001SB		NUT M3						2	
40		RE0400000K0		E-RING 4						2	
41		RE0500000K0		E-RING						1	
42		RE0600000K0		E-RING 6						1	
43		RE0600000K0		E-RING 6						1	
44		SD0600291TP		HINGE SCKEW D=6 H=2.9						1	
45		SD0791503SP		HINGE SCREW D=7.94 H=15						1	
46		SM4040601SC		SCREW M4X0.7 L=6						3	



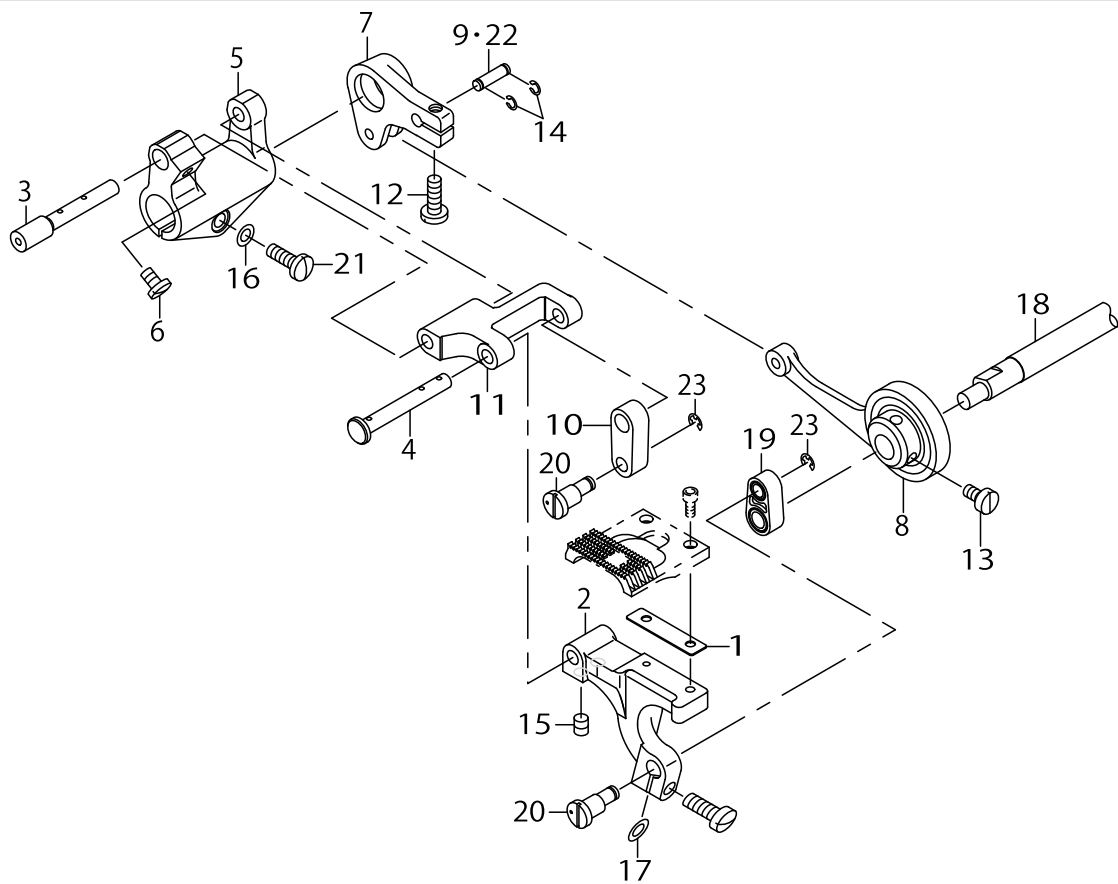
THREAD TRIMMER MECHANISM COMPONENTS(FOR LZ-2290A-SS-7,LZ-2290A-SU-7,LZ-2290A-SR-7)



THREAD TRIMMER MECHANISM COMPONENTS(FOR LZ-2290A-SS-7,LZ-2290A-SU-7,LZ-2290A-SR-7)

No.	Supply Code	Parts No.	Replacement	Parts name	Remarks	Choice	Step	Level	Cons	Qty	Rep. QTY
47		SS2110920TP		SCREW 11/64-40 L=8.5						1	
48		SS2111010TP		SCREW 11/64-40 L=9.5						1	
49		SS4110915SP		SCREW 11/64-40 L=9						2	
50		SS4150915SP		SCREW 15/64-28 L=9						2	
51		SS7090610SP		SCREW 9/64-40 L=6						1	
52		WP0621016SH		WASHER						1	
53		22919203		OIL PROTECTING RUBBER						1	
54		BP600000000		VINYL PIPE						1	

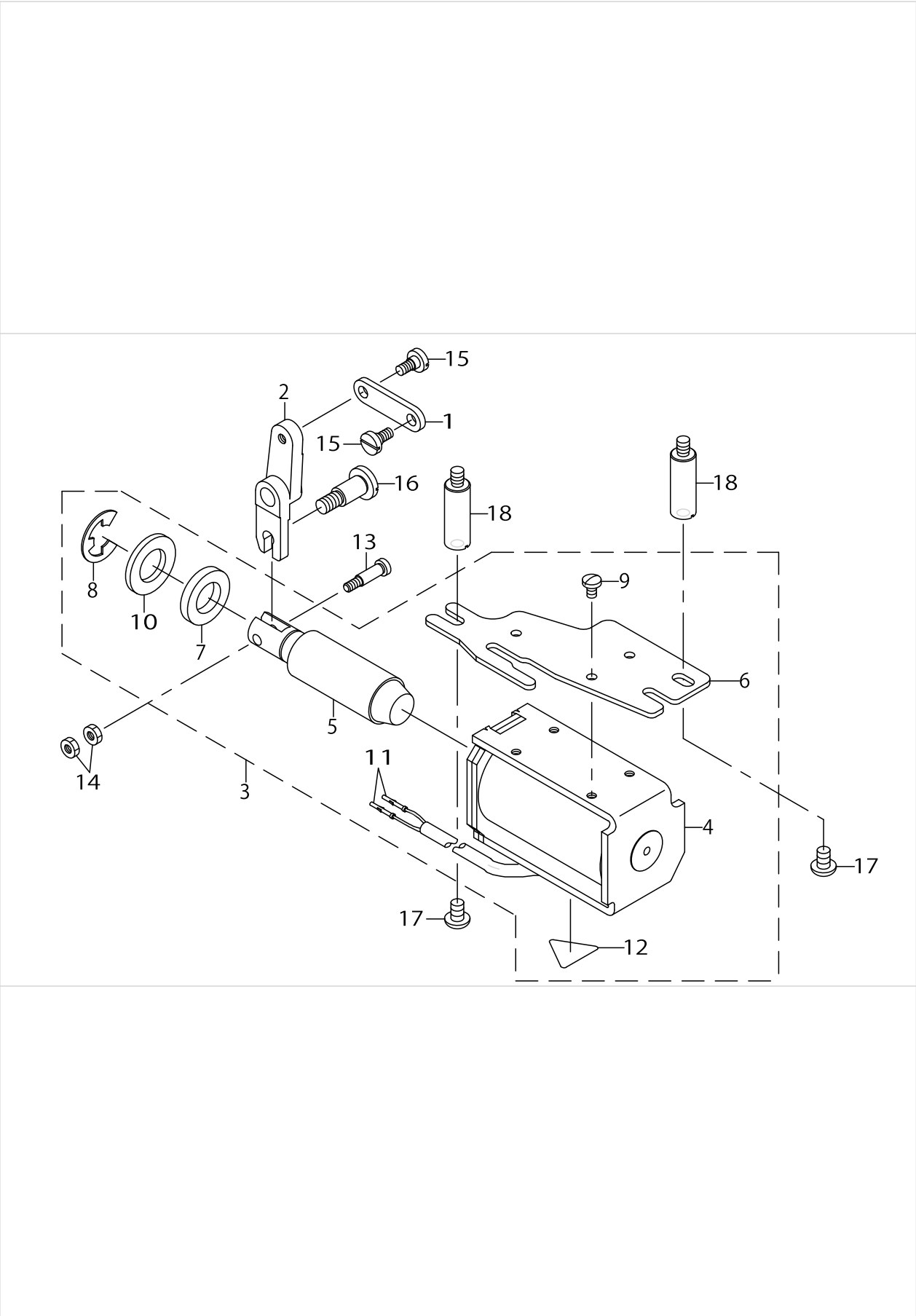
FEED MECHANISM COMPONENTS(FOR LZ-2290A-SU,LZ-2290A-SU-7,LZ-2290A-DU,LZ-2290A-DU-7)



FEED MECHANISM COMPONENTS(FOR LZ-2290A-SU,LZ-2290A-SU-7,LZ-2290A-DU,LZ-2290A-DU-7)

No.	Supply Code	Parts No.	Replacement	Parts name	Remarks	Choice	Step	Level	Cons	Qty	Rep. QTY
1		10025906		SPACER	FOR LZ-22-90A-SU/ L-Z-2290A-SU-7					1	
2		23501901		FEED BASE						1	
3		22913206		FEED BASE SHAFT						1	
4		23501802		FEED BASE SHAFT B						1	
5	R	22913107	22913156	FEED BASE ARM						1	1.00
6		SS7110740TP		SCREW 11/64-40 L=7						1	
7		23545403		VERTICAL FEED ARM						1	
8		23501356		VERTICAL FEED CAM ASM.	FOR LZ-22-90A-SU/ L-Z-2290A-SU-7					1	
9		11214806		PIN	FOR LZ-22-90A-SU/ L-Z-2290A-SU-7					1	
10		23501703		LINK B						1	
11		23501604		FEED BASE LINK						1	
12		SS7121410TP		SCREW 3/16-28 L=14						1	
13		SS6110820TP		SCREW 11/64-40 L=8	FOR LZ-22-90A-SU/ L-Z-2290A-SU-7					2	
14		RC0330415KP		SNAP RING	FOR LZ-22-90A-SU/ L-Z-2290A-SU-7					2	
15		SM8050612TP		SCREW M5X6						2	
16		WP0480856SP		WASHER 4.8X8.4X0.8						1	
17		WP0500916SD		WASHER 5X7X0.9						1	
18		23545106		LOWER SHAFT U	FOR LZ-22-90A-SU/ L-Z-2290A-SU-7					1	
19		40010264		VERTICAL FEED LINK	FOR LZ-22-90A-DU/ L-Z-2290A-DU-7					1	
20		23558406		VERTICAL FEED LINK SHAFT D	FOR LZ-22-90A-DU/ L-Z-2290A-DU-7					2	
21		SS7121410TP		SCREW 3/16-28 L=14						1	
22	D	23559909		VERTICAL FEED ROD PIN DU	FOR LZ-22-90A-DU/ L-Z-2290A-DU-7					1	
23		RE0300000K0		E-RING 3						2	

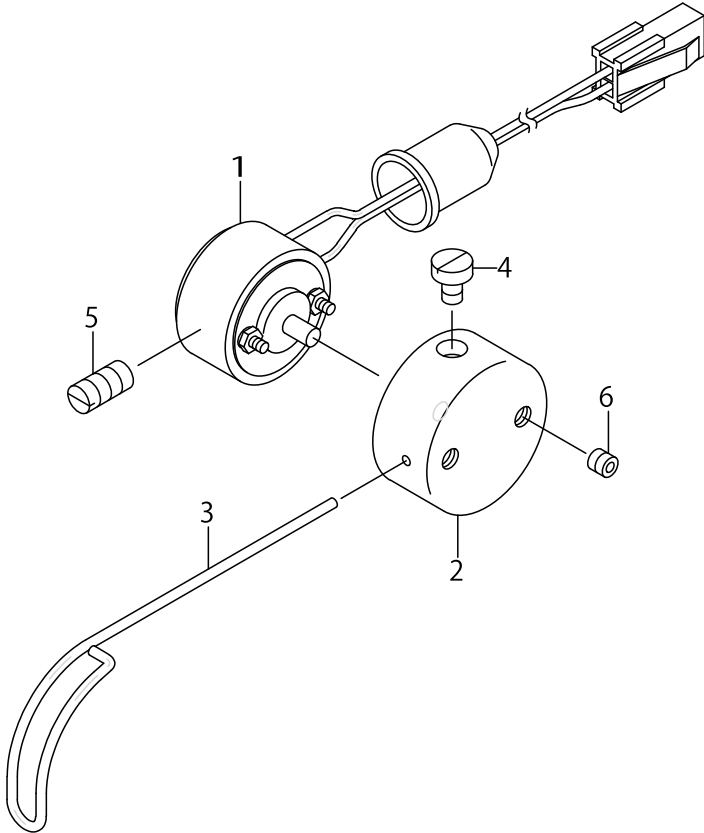
AUTOMATIC REVERSE FEED MECHANISM COMPONENTS(FOR LZ-2290A-SS-7,LZ-2290A-SU-7)



AUTOMATIC REVERSE FEED MECHANISM COMPONENTS(FOR LZ-2290A-SS-7,LZ-2290A-SU-7)

No.	Supply Code	Parts No.	Replacement	Parts name	Remarks	Choice	Step	Level	Cons	Qty	Rep. QTY
1		23542509		AUTOMATIC REVERSE FEED LINK						1	
2		40010307		AUTOMATIC REVERSE FEED ARM						1	
3		40008596		SOLENOIDBASEASM.						1	
4		40108063		REVERSE FEED SOLENOID				*		1	
5		40108064		REVERSE FEED SO- LENOID PLUNGER				*		1	
6		23542707		REVERSE FEED SOLENOID BASE				*		1	
7		D2468555B00		RUBBER PLUNGER				*		1	
8		RE1200000K0		E-RING 12				*		1	
9		SS7110740TP		SCREW 11/64-40 L=7				*		3	
10		WP1703001SC		WASHER 17X30X3				*		1	
11		HK03464000B		PIN CONTACT				*		2	
12		CM300300003		ATTENTION SEAL 2(3.15)				*		1	
13	R	11314408	22962906	PLUNGER ARM PIN						1	1.00
14		NS6110350SP		NUT 11/64-40						2	
15		SD0600452TP		HINGE SCREW D=6 H=4.5						2	
16		SD0951501SP		HINGE SCREW D=9.53 H=15						1	
17		SS4150915SP		SCREW 15/64-28 L=9						2	
18		40010280		SOLENOID BASE STUD						2	

THREAD FEEDER COMPONENTS

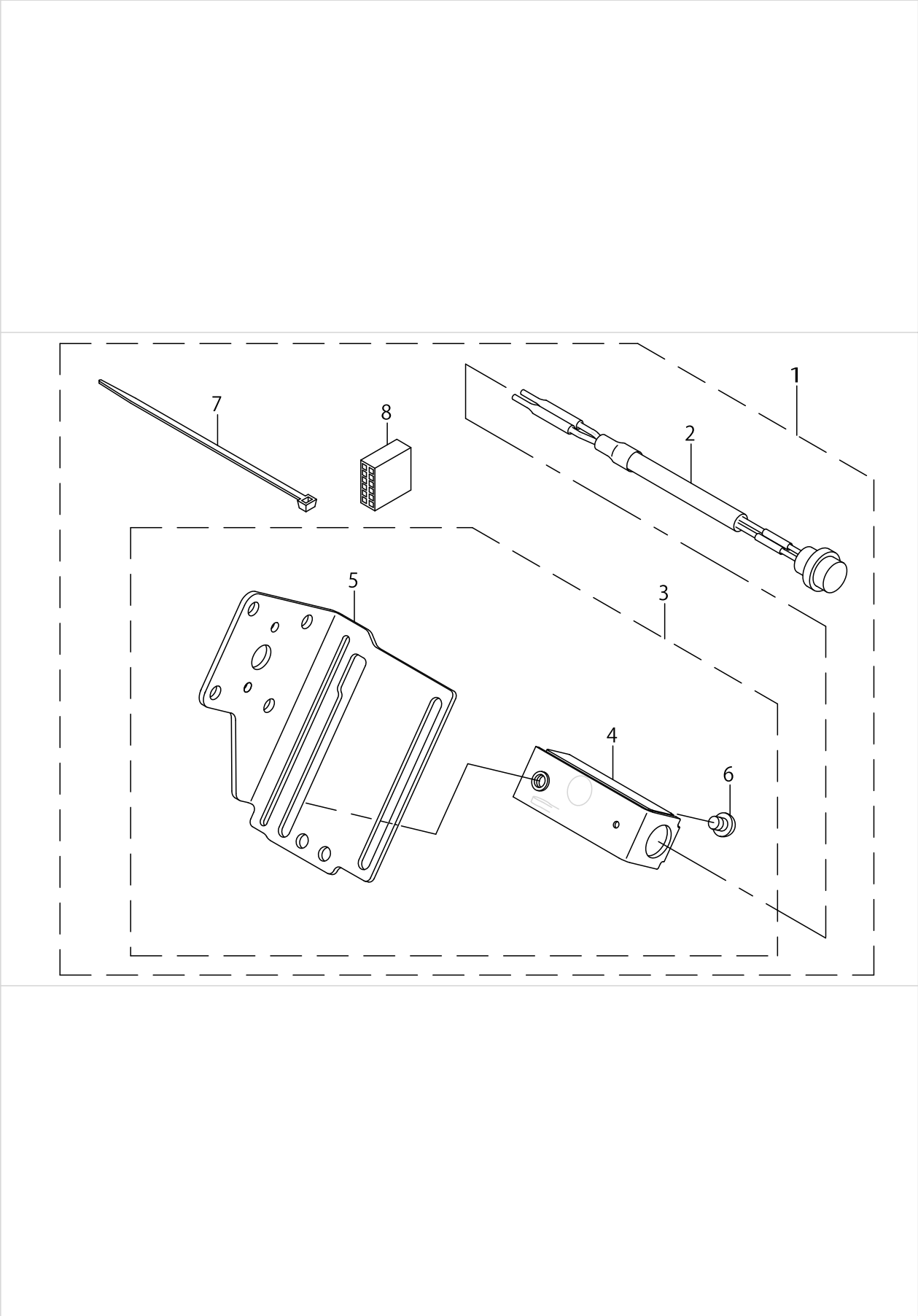


THREAD FEEDER COMPONENTS

No.	Supply Code	Parts No.	Replacement	Parts name	Remarks	Choice	Step	Level	Cons	Qty	Rep. QTY
1		23538457		FEEDER SOLENOID ASM.	FOR LZ-22-90A-SS-7/ LZ-2290A-- SU-7/ LZ-- 2290A-SR-7					1	
2		40010321		FEEDER WIRE FITTING BASE	FOR LZ-22-90A-SS-7/ LZ-2290A-- SU-7/ LZ-- 2290A-SR-7					1	
3		23538606		FEEDER WIRE	FOR LZ-22-90A-SS-7/ LZ-2290A-- SU-7/ LZ-- 2290A-SR-7					1	
4		SS6110650TP		SCREW 11/64-40 L=5.5	FOR LZ-22-90A-SS-7/ LZ-2290A-- SU-7/ LZ-- 2290A-SR-7					1	
5		SS8151230SP		SCREW15/64-28L=12	FOR LZ-22-90A-SS-7/ LZ-2290A-- SU-7/ LZ-- 2290A-SR-7					1	
6		SS8110422TP		SCREW 11/64-40 L=4	FOR LZ-22-90A-SS-7/ LZ-2290A-- SU-7/ LZ-- 2290A-SR-7					2	



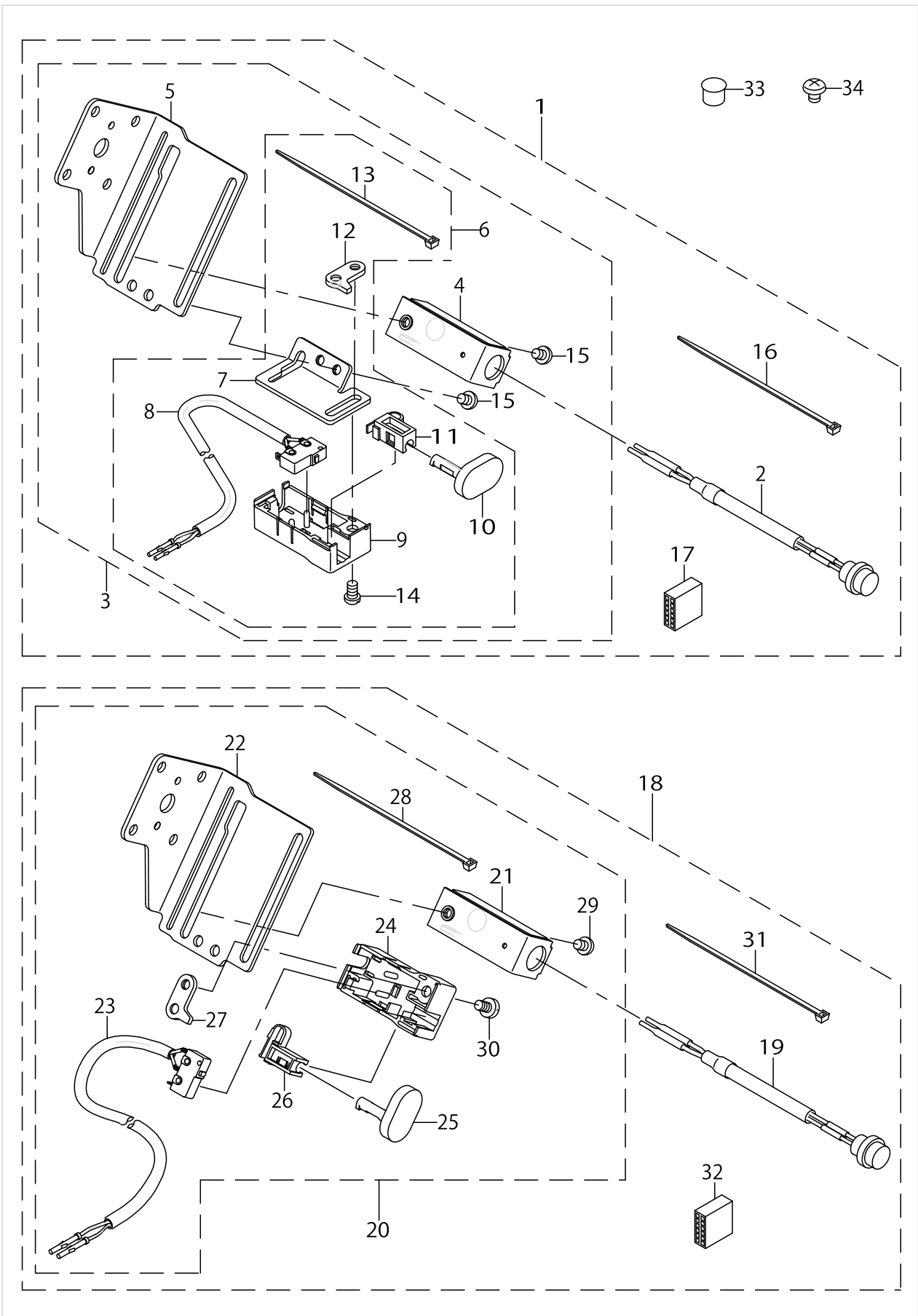
MANUAL SWITCH COMPONENTS (FOR LZ-2290A-SS,LZ-2290A-SU)



MANUAL SWITCH COMPONENTS (FOR LZ-2290A-SS,LZ-2290A-SU)

No.	Supply Code	Parts No.	Replacement	Parts name	Remarks	Choice	Step	Level	Cons	Qty	Rep. QTY
1		40003582		MANUAL SWITCH BASE COMPL.						1	
2		40003570		SWLED CABLE A ASM.				*		1	
3		40003583		MANUAL SWITCH BASE ASM.				*		1	
4		40003575		UP-AND-DOWN SWITCH BASE				*		1	
5		40003578		MANUAL SWITCH BASE				*		1	
6		SS4110515SP		SCREW 11/64-40 L=5				*		1	
7		EA9500B0100		CABLE BAND				*		1	
8		HK034610120		HOUSING 12P				*		1	

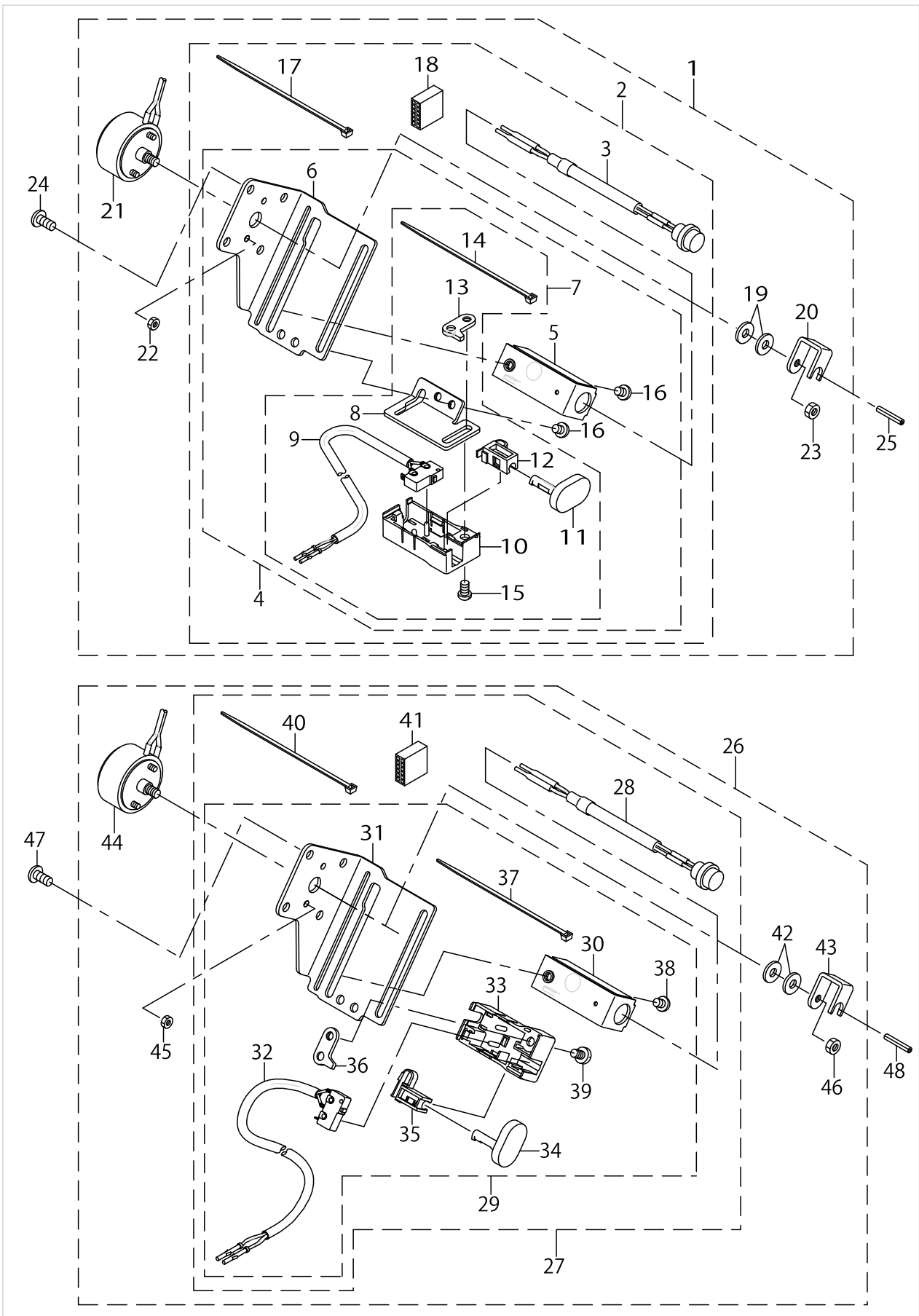
MANUAL SWITCH COMPONENTS (FOR LZ-2290A-SS-0B,LZ-2290A-SU-0B)



MANUAL SWITCH COMPONENTS (FOR LZ-2290A-SS-0B,LZ-2290A-SU-0B)

No.	Supply Code	Parts No.	Replacement	Parts name	Remarks	Choice	Step	Level	Cons	Qty	Rep. QTY	
1		40003574		MANUAL SWITCH BASE COMPL. A	VARIOUS NOS.FOR DESTINATIONS					1		
2		40003570		SWLED CABLE A ASM.				*			1	
3	R	40003577	40003574	MANUAL SWITCH BASE ASM. A				*			1	1.00
4		40003575		UP-AND-DOWN SWITCH BASE				*			1	
5		40003578		MANUAL SWITCH BASE				*			1	
6		40003579		TOUCH BACK SWITCH BASE ASM.				*			1	
7		40003580		TOUCH BACK SWITCH BASE				*			1	
8		40003581		REVERSE FEED CORD ASM.				*			1	
9		23631708		REVERSE FEED SWITCH COVER				*			1	
10		23631807		REVERSE FEED SWITCH SHAFT				*			1	
11		23631906		REVERSE FEED SWITCH SUPPORT				*			1	
12		23632102		REVERSE FEED SWITCH BASE GUIDE				*			1	
13		EA9500B0100		CABLE BAND				*			1	
14		SS7110740TP		SCREW 11/64-40 L=7				*			1	
15		SS4110515SP		SCREW 11/64-40 L=5				*			3	
16		EA9500B0100		CABLE BAND				*			1	
17		HK034610120		HOUSING 12P				*			1	
18		40003573		MANUAL SWITCH BASE COMPL. B	VARIOUS NOS.FOR DESTINATIONS					1		
19		40003570		SWLED CABLE A ASM.				*			1	
20		40003576		MANUAL SWITCH BASE ASM. B				*			1	
21		40003575		UP-AND-DOWN SWITCH BASE				*			1	
22		40003578		MANUAL SWITCH BASE				*			1	
23		40003581		REVERSE FEED CORD ASM.				*			1	
24		23631708		REVERSE FEED SWITCH COVER				*			1	
25		23631807		REVERSE FEED SWITCH SHAFT				*			1	
26		23631906		REVERSE FEED SWITCH SUPPORT				*			1	
27		23632102		REVERSE FEED SWITCH BASE GUIDE				*			1	
28		EA9500B0100		CABLE BAND				*			1	
29		SS4110515SP		SCREW 11/64-40 L=5				*			1	
30		SS7110740TP		SCREW 11/64-40 L=7				*			1	
31		EA9500B0100		CABLE BAND				*			1	
32		HK034610120		HOUSING 12P				*			1	
33		TA0950806R0		RUBBER PLUG							1	
34		SS4120615SP		SCREW 3/16-28 L=6							2	

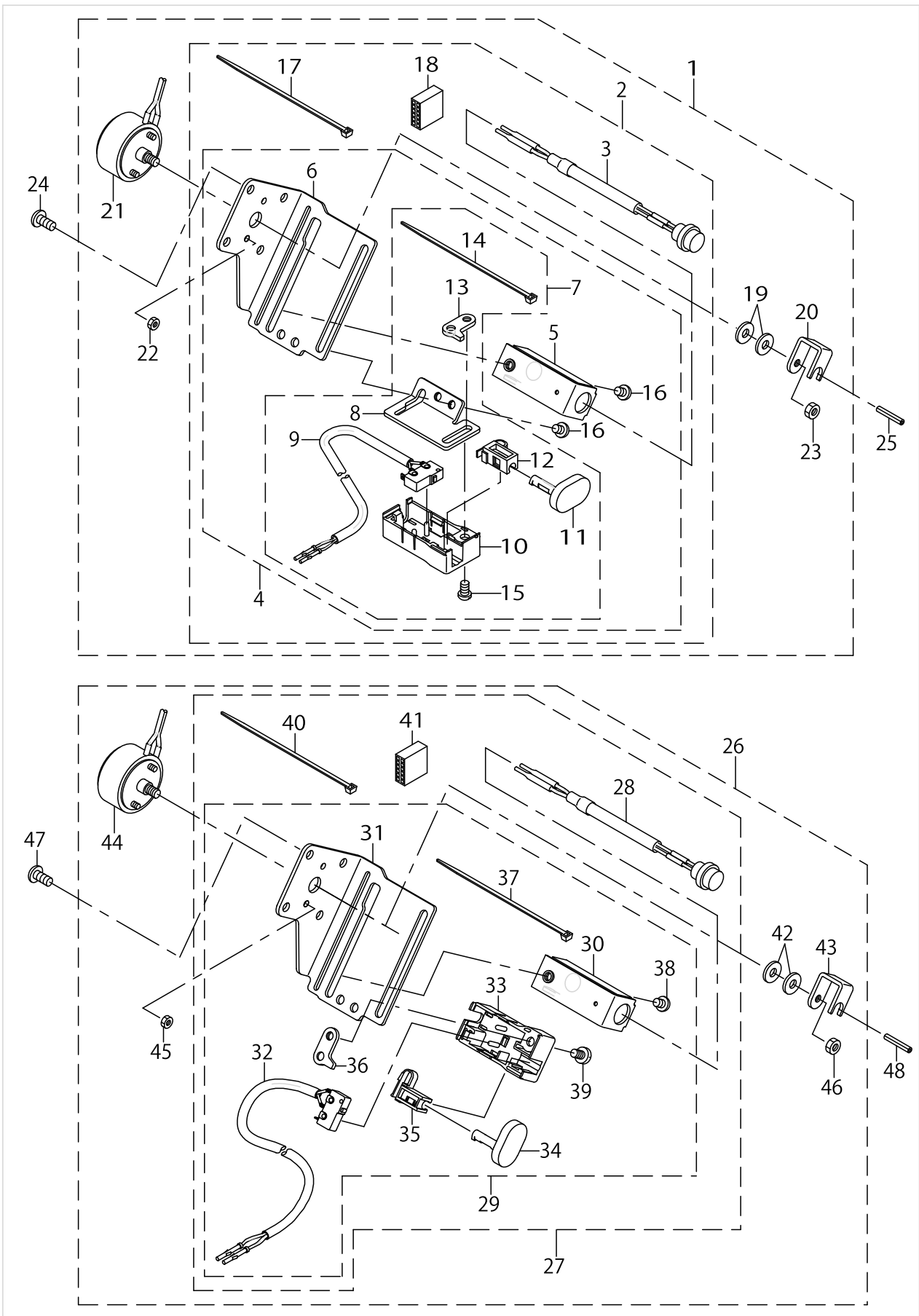
THREAD RELEASE SOLENOID COMPONENTS(FOR LZ-2290A-SS-7,LZ-2290A-SU-7,LZ-2290A-SR-7)



THREAD RELEASE SOLENOID COMPONENTS(FOR LZ-2290A-SS-7,LZ-2290A-SU-7,LZ-2290A-SR-7)

No.	Supply Code	Parts No.	Replacement	Parts name	Remarks	Choice	Step	Level	Cons	Qty	Rep. QTY
1		40003572		SOLENOID COMPL. A	VARIOUS NOS.FOR DESTINATIONS					1	
2		40003574		MANUAL SWITCH BASE COMPL. A		*				1	
3		40003570		SWLED CABLE A ASM.		*				1	
4	R	40003577	40003574	MANUAL SWITCH BASE ASM. A		*				1	1.00
5		40003575		UP-AND-DOWN SWITCH BASE		*				1	
6		40003578		MANUAL SWITCH BASE		*				1	
7		40003579		TOUCH BACK SWITCH BASE ASM.		*				1	
8		40003580		TOUCH BACK SWITCH BASE		*				1	
9		40003581		REVERSE FEED CORD ASM.		*				1	
10		23631708		REVERSE FEED SWITCH COVER		*				1	
11		23631807		REVERSE FEED SWITCH SHAFT		*				1	
12		23631906		REVERSE FEED SWITCH SUPPORT		*				1	
13		23632102		REVERSE FEED SWITCH BASE GUIDE		*				1	
14		EA9500B0100		CABLE BAND		*				1	
15		SS7110740TP		SCREW 11/64-40 L=7		*				1	
16		SS4110515SP		SCREW 11/64-40 L=5		*				3	
17		EA9500B0100		CABLE BAND		*				1	
18		HK034610120		HOUSING 12P		*				1	
19		13705603		FRAME SIDE COVER GASKET		*				2	
20		22552905		THREAD RELEASE PUSH PLATE		*				1	
21		40003651		THREAD RELEASE SOLENOID ASM.		*				1	
22		NM6030001SC		NUT M3		*				2	
23		NM6040001SN		NUT M4X0.7		*				1	
24		SS4121015SP		SCREW 3/16-28 L=10						4	
25		PS0300182KF		SPRING PIN 3X18						1	
26		40003571		SOLENOID COMPL. B	VARIOUS NOS.FOR DESTINATIONS					1	
27		40003573		MANUAL SWITCH BASE COMPL. B		*				1	
28		40003570		SWLED CABLE A ASM.		*				1	
29		40003576		MANUAL SWITCH BASE ASM. B		*				1	
30		40003575		UP-AND-DOWN SWITCH BASE		*				1	
31		40003578		MANUAL SWITCH BASE		*				1	
32		40003581		REVERSE FEED CORD ASM.		*				1	
33		23631708		REVERSE FEED SWITCH COVER		*				1	
34		23631807		REVERSE FEED SWITCH SHAFT		*				1	
35		23631906		REVERSE FEED SWITCH SUPPORT		*				1	
36		23632102		REVERSE FEED SWITCH BASE GUIDE		*				1	
37		EA9500B0100		CABLE BAND		*				1	
38		SS4110515SP		SCREW 11/64-40 L=5		*				1	
39		SS7110740TP		SCREW 11/64-40 L=7		*				1	
40		EA9500B0100		CABLE BAND		*				1	
41		HK034610120		HOUSING 12P		*				1	
42		13705603		FRAME SIDE COVER GASKET		*				1	
43		22552905		THREAD RELEASE PUSH PLATE		*				1	

THREAD RELEASE SOLENOID COMPONENTS(FOR LZ-2290A-SS-7,LZ-2290A-SU-7,LZ-2290A-SR-7)

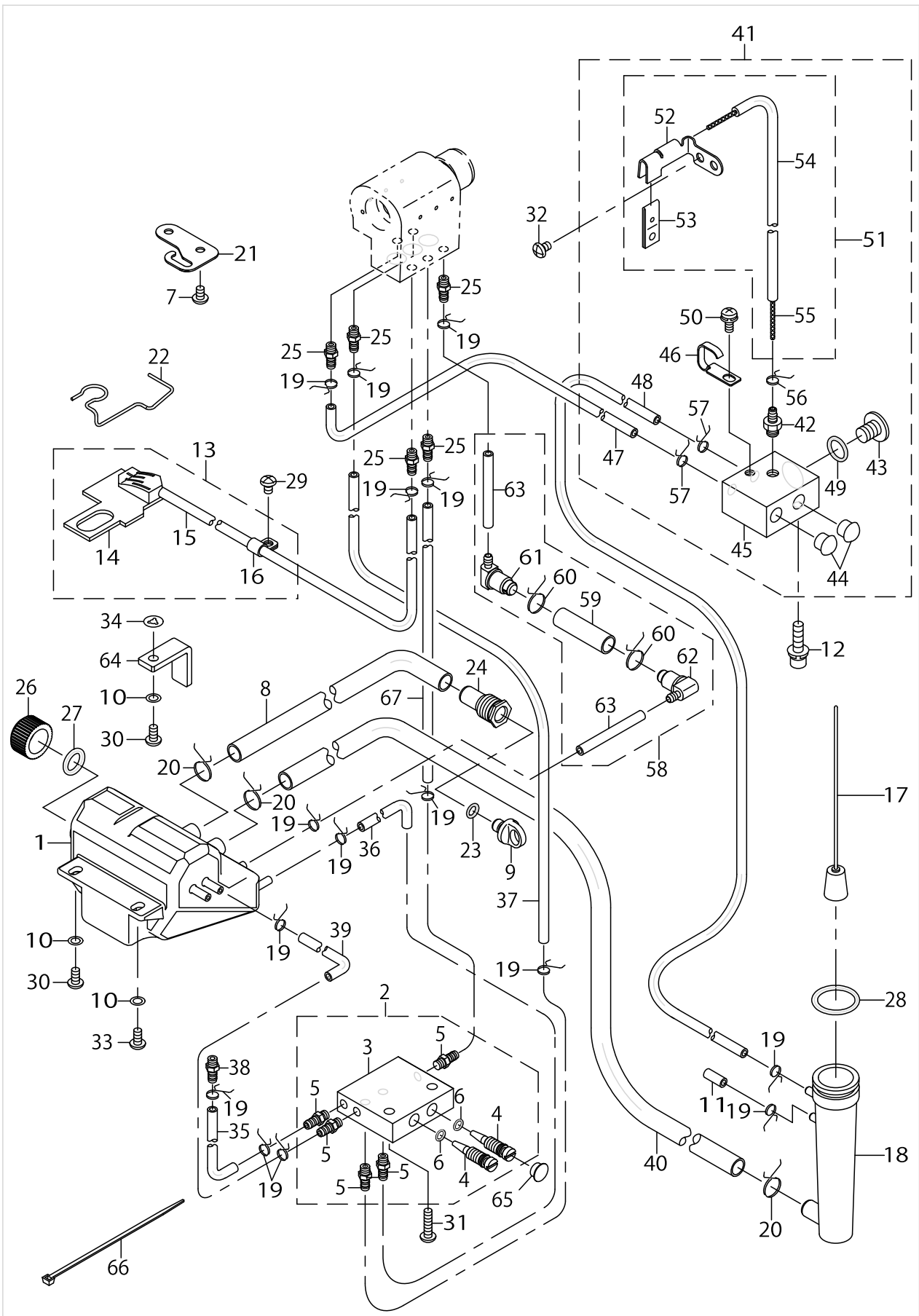


THREAD RELEASE SOLENOID COMPONENTS(FOR LZ-2290A-SS-7,LZ-2290A-SU-7,LZ-2290A-SR-7)

No.	Supply Code	Parts No.	Replacement	Parts name	Remarks	Choice	Step	Level	Cons	Qty	Rep. QTY
44		40003651		THREAD RELEASE SOLENOID ASM.				*		1	
45		NM6030001SC		NUT M3				*		2	
46		NM6040001SN		NUT M4X0.7				*		1	
47		SS4121015SP		SCREW 3/16-28 L=10						4	
48		PS0300182KF		SPRING PIN 3X18						1	



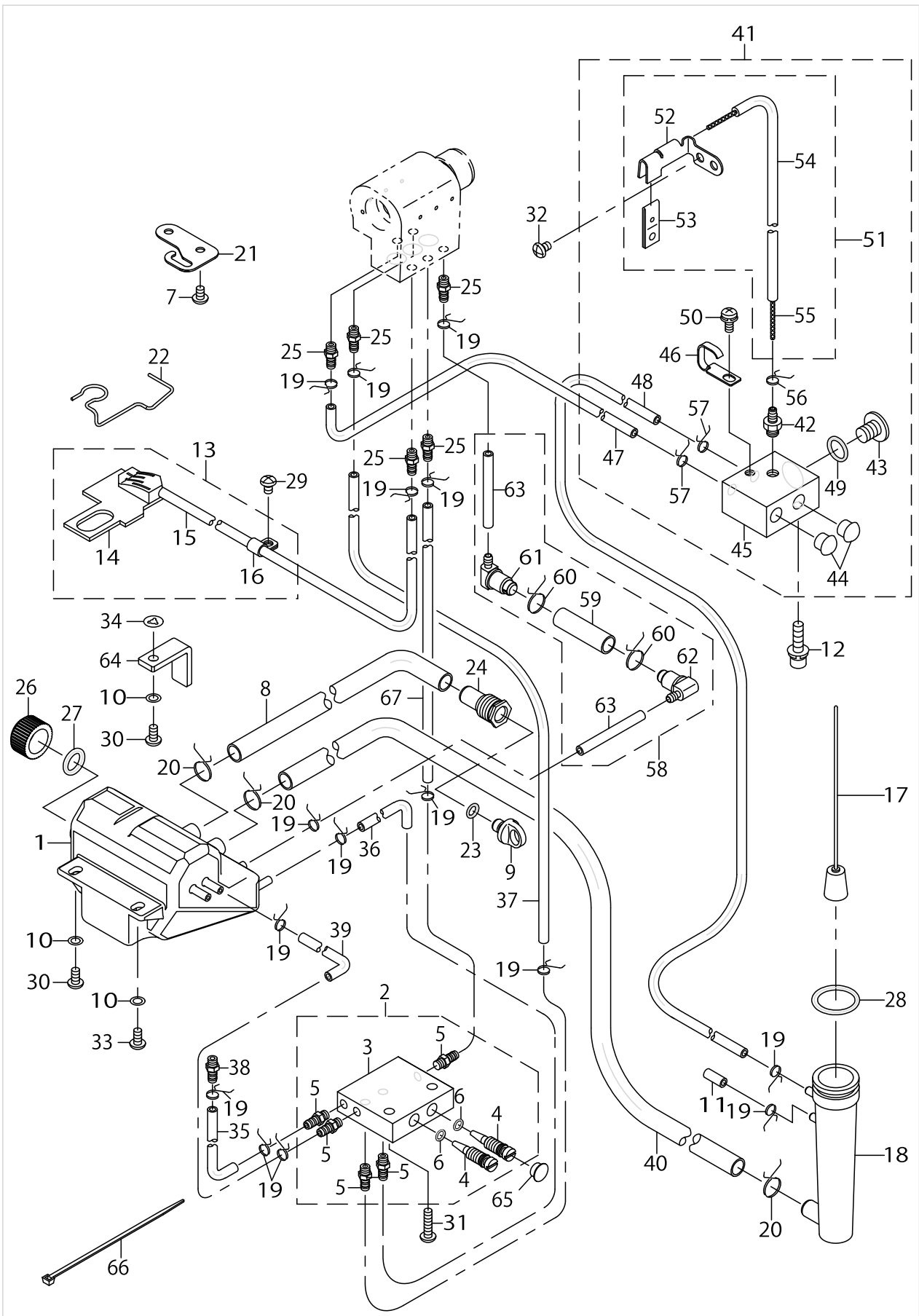
LUBRICATION COMPONENTS(EXCEPT LZ-2290A-DS,LZ-2290A-DS-7,LZ2290A-DU,LZ-2290A-DU-7)



LUBRICATION COMPONENTS(EXCEPT LZ-2290A-DS,LZ-2290A-DS-7,LZ2290A-DU,LZ-2290A-DU-7)

No.	Supply Code	Parts No.	Replacement	Parts name	Remarks	Choice	Step	Level	Cons	Qty	Rep. QTY
1		40175861		OIL_TANK						1	
2		23539372		HOOK OIL REGULATING ASM.						1	
3		23539315		HOOK OIL REGULATING				*		1	
4		23539414		HOOK OIL REGULATING SCREW				*		2	
5		23629801		LUBRICATION CONNECTOR				*		5	
6		RO037180100		RUBBER RING				*		2	
7		SS4120615SP		SCREW 3/16-28 L=6						2	
8		23630106		TUBE B						.39	
9		40000344		LUBRICATING INLET CAP						1	
10		WP0460556SD		WASHER 4.6X7.5X0.5						3	
11		23540305		FLOATER CASE CAP						1	
12		SL6052092TN		SCREW						2	
13		23540057		ONCE THROUGH OIL FELT ASM.						1	
14		23540008		ONCE THROUGH OIL FELT				*		1	
15		23630007		TUBE				*		1.07	
16		B3536122000		HOLDER				*		1	
17		23628357		FLOATER ASM.						1	
18		23628704		FLOATER CASE						1	
19		23629306		PIPE STOPPER A						15	
20		23629405		PIPE STOPPER B						3	
21		23539703		LUBRICATION TANK PIPE GUIDE						1	
22		23540107		ONCE THROUGH OIL FELT PRESSER						1	
23		RO048190100		RUBBER RING						1	
24		40000343		LUBRICATING INLET						1	
25		23629801		LUBRICATION CONNECTOR						5	
26		40013595		OIL_EXIT_CAP						1	
27		RO098240100		RUBBER RING						1	
28		RO195240100		RUBBER RING						1	
29		SS4110615SP		SCREW 11/64-40 L=6						1	
30		SS4110815SP		SCREW 11/64-40 L=8						2	
31		SS4121615SP		SCREW 3/16-28 L=16						2	
32		SS4110615SP		SCREW 11/64-40 L=6						2	
33		SS4111415SP		SCREW11/64-40L=14						1	
34		M8002430000		STOPPER						1	
35		23630007		TUBE						.07	
36		23630007		TUBE						.16	
37		23630007		TUBE						.16	
38		23629801		LUBRICATION CONNECTOR						1	
39		23630007		TUBE						.18	
40		23630106		TUBE B						.3	
41		40149239		FACE LUBRICATION TANK ASM.						1	
42		40050598		LUBRICATION CONNECTOR				*		1	
43		SM0081001SD		SCREW				*		1	
44		TA0850604R0		RUBBER PLUG				*		2	
45		40149240		FACE LUBRICATION TANK				*		1	
46		40022407		CORD HOLDER				*		1	

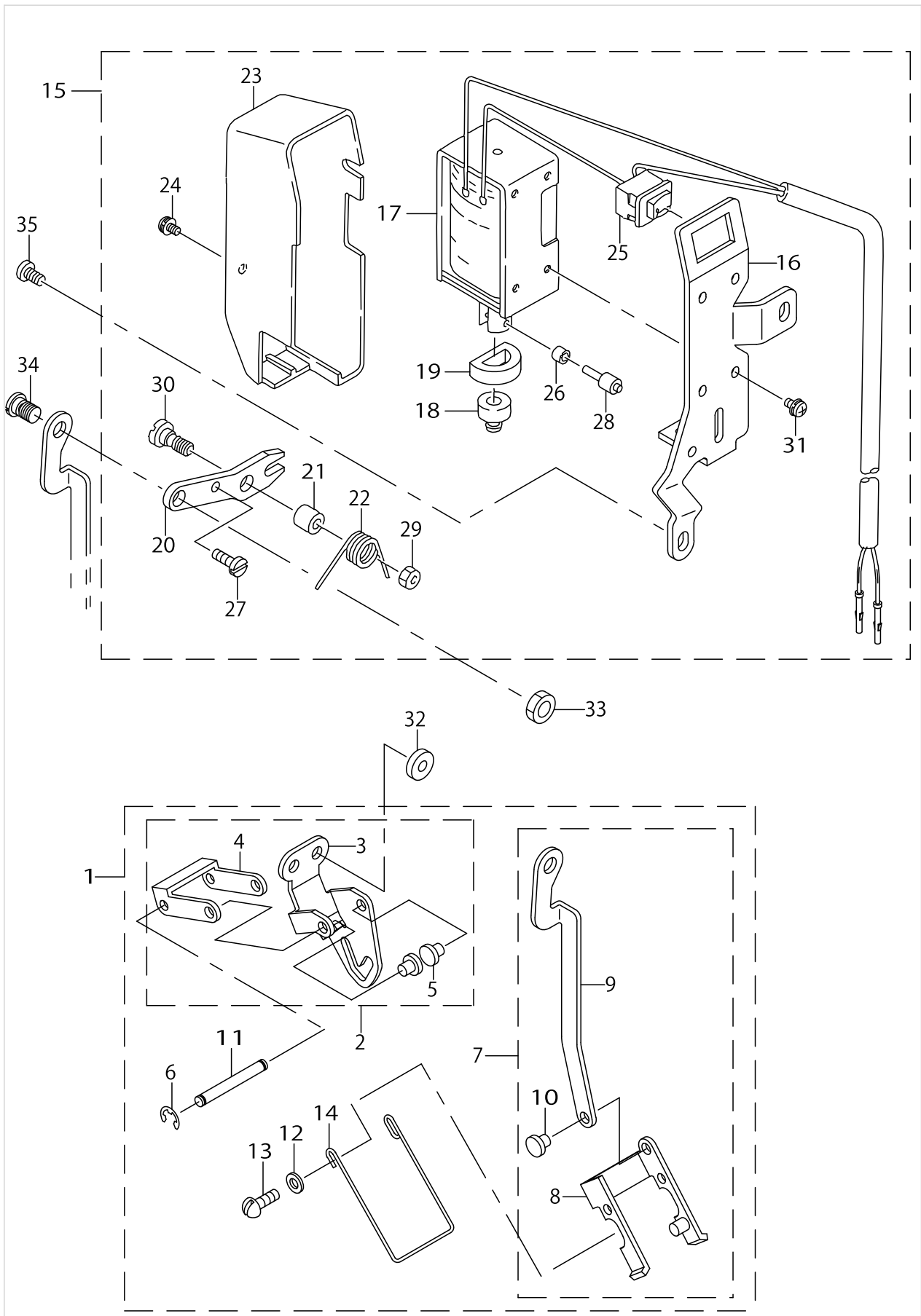
LUBRICATION COMPONENTS(EXCEPT LZ-2290A-DS,LZ-2290A-DS-7,LZ2290A-DU,LZ-2290A-DU-7)



LUBRICATION COMPONENTS(EXCEPT LZ-2290A-DS,LZ-2290A-DS-7,LZ2290A-DU,LZ-2290A-DU-7)

No.	Supply Code	Parts No.	Replacement	Parts name	Remarks	Choice	Step	Level	Cons	Qty	Rep. QTY
47		23630007		TUBE				*		0.475	
48		23630007		TUBE				*		0.188	
49		RO098240100		RUBBER RING				*		1	
50		SL4051091SC		SCREW M5X0.8 L=10				*		1	
51	R	23539562	235395130G0	FACE LUBRICATION PRESSER ASM.				*		1	1.00
52		23539513		FACE LUBRICATION PRESSER				*		1	
53		B3518280000		BALANCE LUBRICATING				*		1	
54		23630007		TUBE				*		0.42	
55		CQ220000000		OUL WICK				*		0.46	
56		23629306		PIPE STOPPER A				*		1	
57		10126803		OIL TUBE HOLDER				*		2	
58		23630452		OIL FILTER ASM.				*		1	
59		23630106		TUBE B				*		0.04	
60		23629405		PIPE STOPPER B				*		2	
61		23630650		OIL FILTER JOINT ASM.				*		1	
62		23630601		OIL FILTER JOINT				*		1	
63		23630007		TUBE				*		0.09	
64		40176805		OIL_TANK_PLATE				*		1	
65		TA0750404R0		PLUG D=7.5 L=3.5				*		1	
66		EA9500B0100		CABLE BAND				*		1	
67		23630007		TUBE				*		.11	

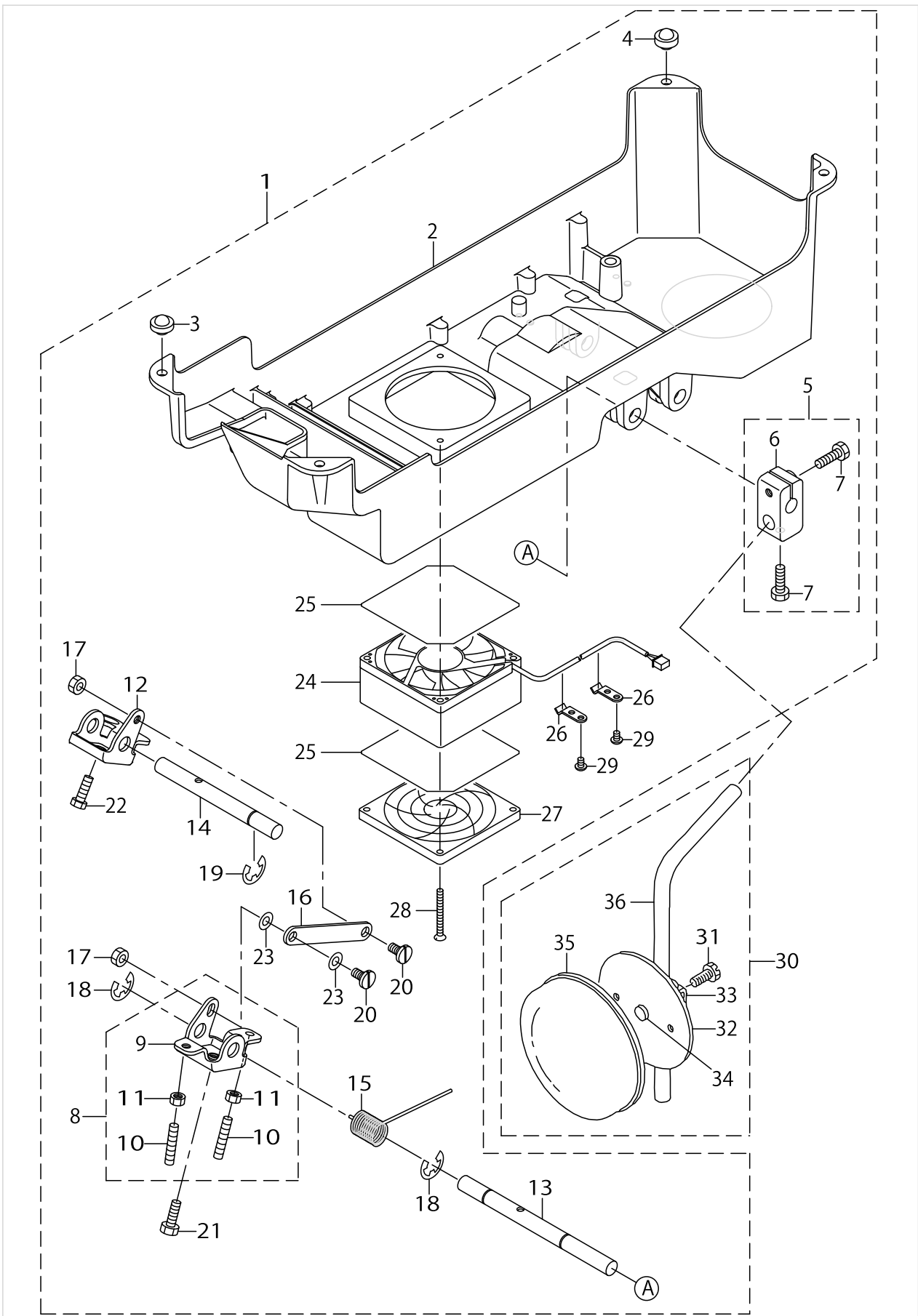
WIPER MECHANISM COMPONENTS(FOR LZ-2290A-SS-7-WB,LZ-2290A-SU-7-WB,LZ-2290A-SR-7-WB)



WIPER MECHANISM COMPONENTS(FOR LZ-2290A-SS-7-WB,LZ-2290A-SU-7-WB,LZ-2290A-SR-7-WB)

No.	Supply Code	Parts No.	Replacement	Parts name	Remarks	Choice	Step	Level	Cons	Qty	Rep. QTY
1		22561757		WIPER ASM.						1	
2		22561856		WIPER BASE ASM.				*		1	
3	R	22561807	22561856	WIPER BASE				*		1	1.00
4	R	10208601	10208551	WIPER LINK 1				*		1	1.00
5		D2107490D00		PIN				*		2	
6		RE0320000K0		E-RING 3.2				*		2	
7		22561955		WIPER LINK COMPL.				*		1	
8	R	10208858	10208866	WIPER LINK ASM. 2				*		1	1.00
9	R	22561906	22561955	WIPER LINK				*		1	1.00
10		D2107490D00		PIN				*		1	
11		10208700		WIPER LINK SHAFT				*		1	
12		WP0371016SD		WASHER 3.7X8X1				*		2	
13		SS3090520SP		SCREW 9/64-40 L=4.5				*		2	
14		22561708		WIPER				*		1	
15		40003653		WIPER SOLENOID ASM.						1	
16		22562102		WIPER BASE				*		1	
17		40106937		WIPER SOLENOID ASM.				*		1	
18		22955900		WIPER RUBBER A				*		1	
19		22956007		WIPER RUBBER B				*		1	
20		22562201		WIPER LINK				*		1	
21		22956205		WIPER HINGE SCREW COLLAR				*		1	
22		22956304		WIPER SPRING				*		1	
23		22955504		WIPER COVER				*		1	
24		SL4030631SC		SCREW M3X6				*		1	
25		HA00600000A		SWITCH				*		1	
26		22957203		WIPER LINK COLLAR				*		1	
27		SD0500481TP		HINGE SCREW D=5 H=4.8				*		1	
28		22957104		WIPER SOLENOID SHAFT				*		1	
29		NS6110310SP		NUT 11/64-40				*		1	
30		SD0650321TP		HINGE SCREW D=6.5 H=3.2				*		1	
31		SL4030641SE		SCREW				*		4	
32		MAO91003000		BSW PRESSER PLATE WASHER						2	
33		NS6110310SP		NUT 11/64-40						1	
34		SD0600271SP		HINGE SCREW D=6 H=2.7						1	
35		SS4120615SP		SCREW 3/16-28 L=6						2	

UNDER COVER COMPONENTS

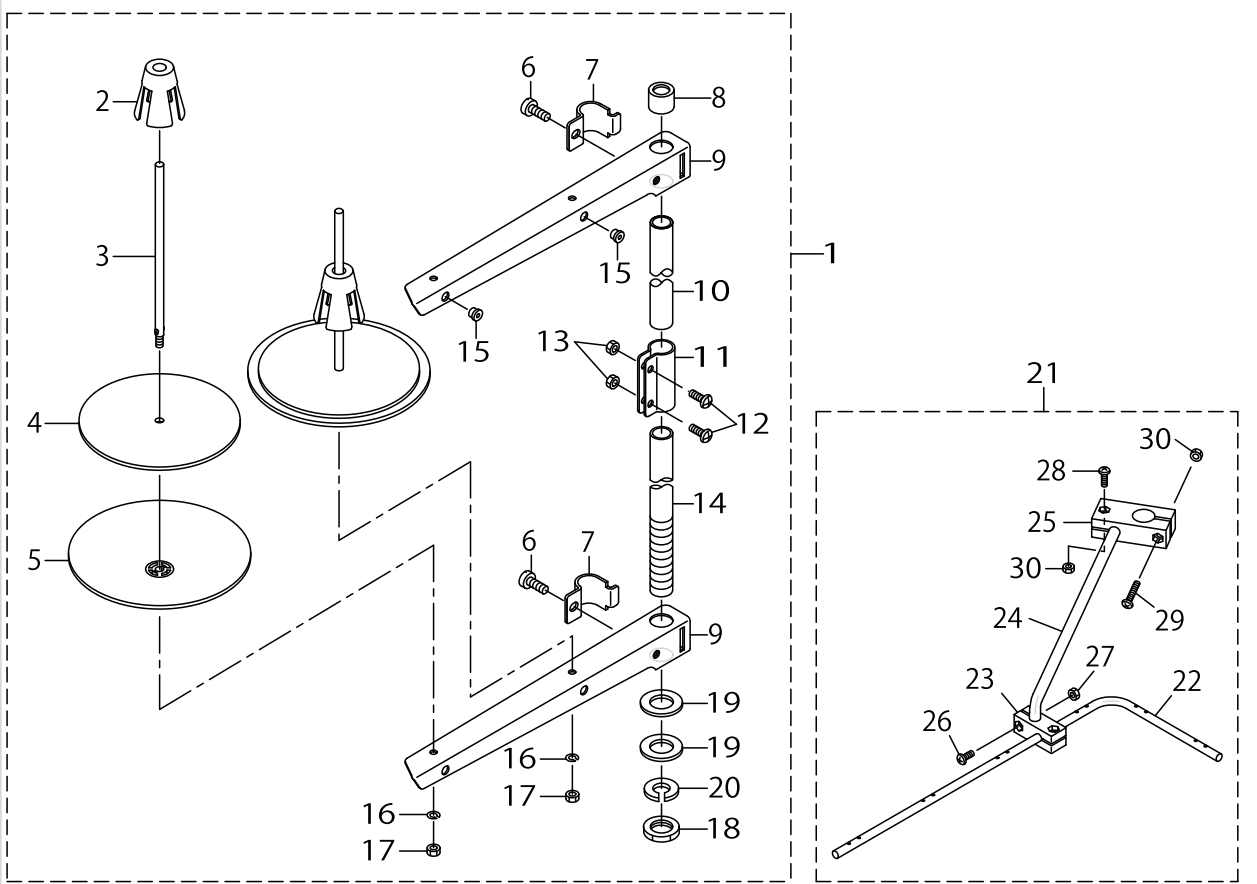


UNDER COVER COMPONENTS

No.	Supply Code	Parts No.	Replacement	Parts name	Remarks	Choice	Step	Level	Cons	Qty	Rep. QTY
1	R	40003603	40010160	UNDER COVER ASM.						1	1.00
2	R	40003604	40010160	UNDER COVER				*		1	1.00
3		11047107		RUBBER CUSHION				*		2	
4		10162600		RUBBER CUSHION				*		2	
5		22932453		BRACKET ASM.				*		1	
6	R	22932404	22932453	BRACKET				*		1	1.00
7	R	SM9062053SR	22934707	SCREW M6 L=20				*		2	1.00
8		40003606		KNEE LIFTER ROTATING ARM ASM.				*		1	
9	R	23639107	23639156	BRACKET				*		1	1.00
10		SM8063012TR		SCREW M6 L=30				*		2	
11		NM6060001SE		NUT M6				*		2	
12		23639206		CONNECTING ROT				*		1	
13		23639305		KNEE PRESS ROD				*		1	
14		23639404		SHAFT				*		1	
15		23639503		SPRING				*		1	
16		23639602		CONNECTING ROD				*		1	
17		NS6150310SP		NUT 15/64-28				*		2	
18		RE1000000K0		E-RING 10				*		2	
19		RE1000000K0		E-RING 10				*		1	
20		SD0720331SP		HINGE SCREW D=7.24 H=3.3				*		2	
21		SM9061853SR		SCREW M6 L=17.5				*		1	
22		SM9061853SR		SCREW M6 L=17.5				*		1	
23		WP0650876SD		WASHER 6.5X13X0.8				*		2	
24		40003605		COOLING FAN				*		1	
25		40003607		FILTER				*		2	
26		22944508		WIRE PRESSER A				*		2	
27		HM000860010		FAN FILTER				*		1	
28		SM1044050SM		SCREW M4X0.7 L=40				*		2	
29		SM4040601SC		SCREW M4X0.7 L=6				*		2	
30		22934251		KNEE PAD PLATE ASM.						1	
31		SM9061203SE		SCREW M6 L=12				*		1	
32		22934202		KNEE PAD PLATE				*		1	
33		22934301		KNEE PAD PLATE SUPPORT				*		1	
34		22934400		KNEE PAD PLATE RUBBER				*		1	
35		22934509		KNEE PAD PLATE COVER				*		1	
36		22934608		KNEE PAD UPRIGHT SHAFT				*		1	



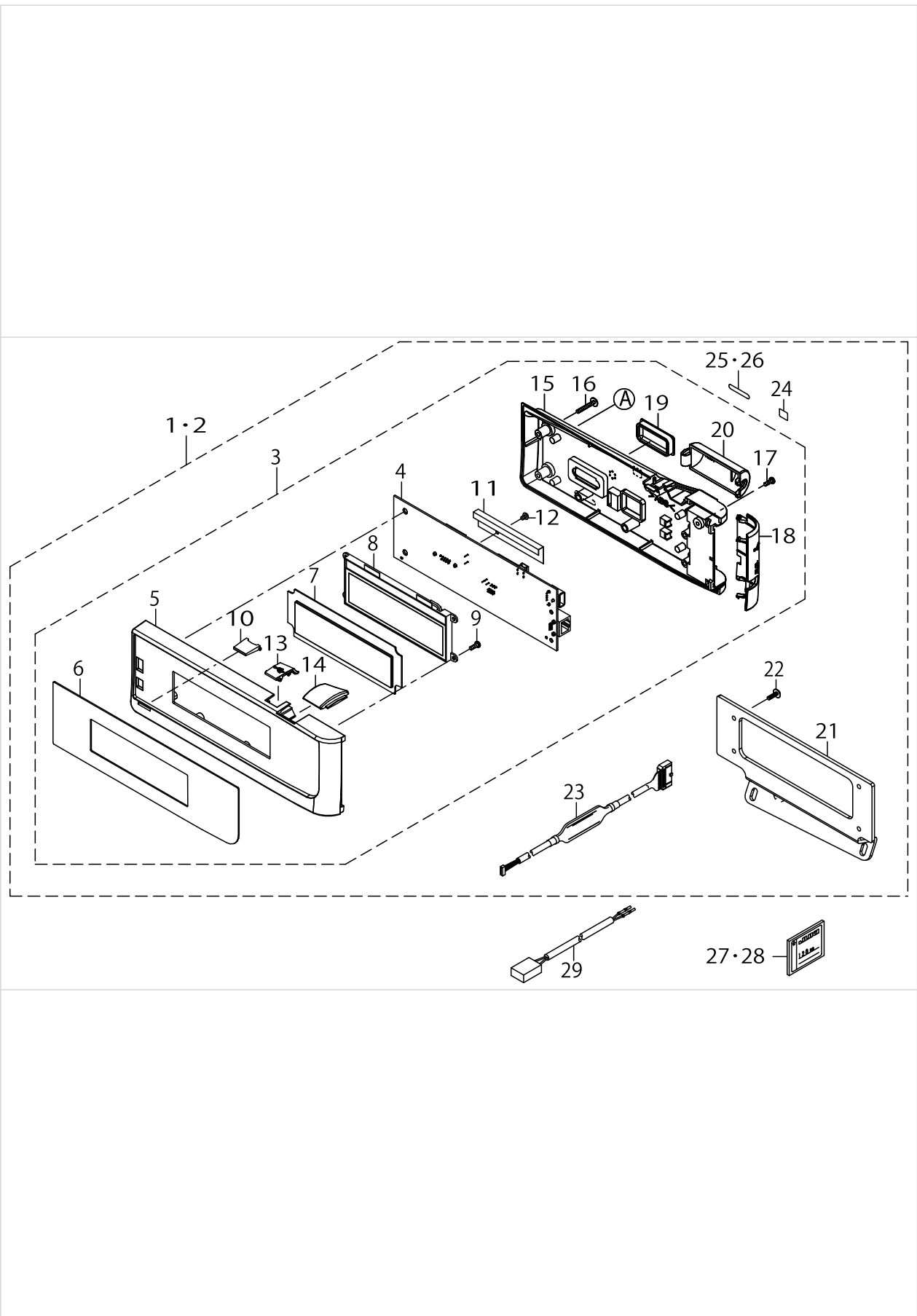
THREAD STAND COMPONENTS



THREAD STAND COMPONENTS

No.	Supply Code	Parts No.	Replacement	Parts name	Remarks	Choice	Step	Level	Cons	Qty	Rep. QTY
1	R	22930358	40096354	THREAD STAND ASM.						1	1.00
2	R	22931109	40085791	SPOOL RETAINER				*		2	1.00
3	R	22931000	40085790	SPOOL PIN				*		2	1.00
4		22930903		SPOOL REST CUSHION				*		2	
5		22930804		SPOOL REST				*		2	
6		SM6061610SC		SCREW M6 L=16				*		2	
7	R	22930705	40096354	THREAD GUIDE ARM JOINT				*		2	1.00
8		22931406		SPOOL REST ROD RUBBER CAP				*		1	
9	R	22930507	40096354	SPOOL REST ARM				*		2	1.00
10	R	22930408	40096354	SPOOL REST ROD UPPER				*		1	1.00
11	R	22931307	40096354	SPOOL REST ROD JOINT				*		1	1.00
12		SM4051405SE		SCREW M5 L=14				*		2	
13		NM6050001SE		NUT M5				*		2	
14	R	22930309	40096354	SPOOL REST ROD LOWER				*		1	1.00
15		22931208		THREAD GUIDE				*		2	
16		WS0510002KN		SPRING WASHER				*		2	
17		NM6050001SE		NUT M5				*		2	
18		NM6160511SE		NUT M16X1.5				*		1	
19		WP1702600S0		WASHER 17X30X2.6				*		2	
20	R	WS1643202KR	WP1612616SE	SPRING WASHER		A		*		1	2.00
20	R	WS1643202KR	40085796	SPRING WASHER		A		*		1	2.00
21		26910059		THREAD GUIDE ARM ASM.						1	
22		40106583		THREAD GUIDE 6				*		1	
23		40106580		THREAD GUIDE UNDER BASE				*		1	
24		40106576		THREAD GUIDE ARM				*		1	
25		40106579		THREAD GUIDE ARM BASE				*		1	
26		SM4041201SC		SCREW_M4X0.7_L=12				*		2	
27		NM6040002SE		NUT M4X0.7				*		2	
28		SM4041201SC		SCREW_M4X0.7_L=12				*		1	
29		SM4042501SC		SCREW M4X0.7 L=25				*		1	
30		NM6040002SE		NUT M4X0.7				*		2	

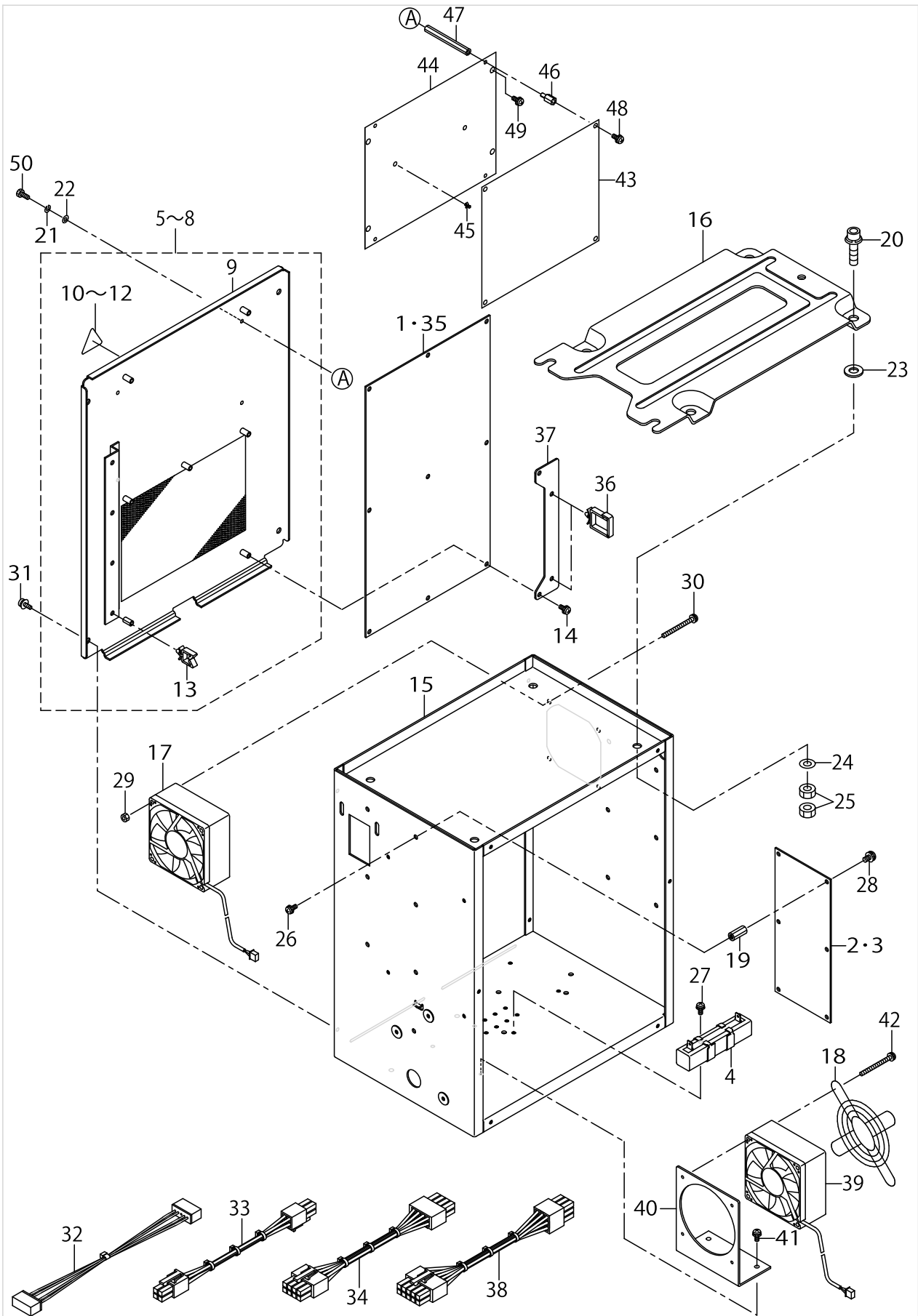
IT-110 PANEL COMPONENTS



IT-110 PANEL COMPONENTS

No.	Supply Code	Parts No.	Replacement	Parts name	Remarks	Choice	Step	Level	Cons	Qty	Rep. QTY
1		40122922		PANEL_D_ASSY	FOR SC-915					1	
2		40122923		PANEL_E_ASSY	FOR SC-916					1	
3		40108879		PANEL_ASSY				*		1	
4		40108880		PANEL_PCB_ASSY				*		1	
5		40105708		FRONT_PANEL				*		1	
6		40106354		MEMBRANE SWITCH				*		1	
7		40105715		LCD_COVER				*		1	
8		40105720		LCD_MODULE				*		1	
9		ST4030851SN		SCREW				*		4	
10		40105717		ONLINE_INDICATOR				*		1	
11		40109555		METAL_FOIL_SHEET				*		1	
12		SM4030401SN		SCREW M3 L=4				*		1	
13		40105714		CONNECTOR_COVER_B				*		1	
14		40105716		POWER_INDICATOR				*		1	
15		40105707		BACK_PANEL				*		1	
16		SV4032001SN		SCREW				*		4	
17		ST4030851SN		SCREW				*		1	
18		40105713		CONNECTOR_COVER_A				*		1	
19		40005848		D-SUB 9P COVER				*		1	
20		40105188		CORD_EXIT_COVER				*		1	
21		40123001		PANEL_BRACKET				*		1	
22		SV4031001SN		SCREW				*		4	
23	R	40119704	40167460	CONVERTER_CABLE_ASSY				*		1	1.00
24		CM500100003		CE LABEL				*		1	
25		40115767		TYPE LABEL D0C				*		1	
26		40024479		TYPE LABEL E0A				*		1	
27		40055293		CF TYPE-A	FOR SC-9-15 OPTIONAL PARTS					1	
28		40055295		CF TYPE-D	FOR SC-9-16 OPTIONAL PARTS					1	
29		40008168		OP SWITCH CABLE A ASSY						1	

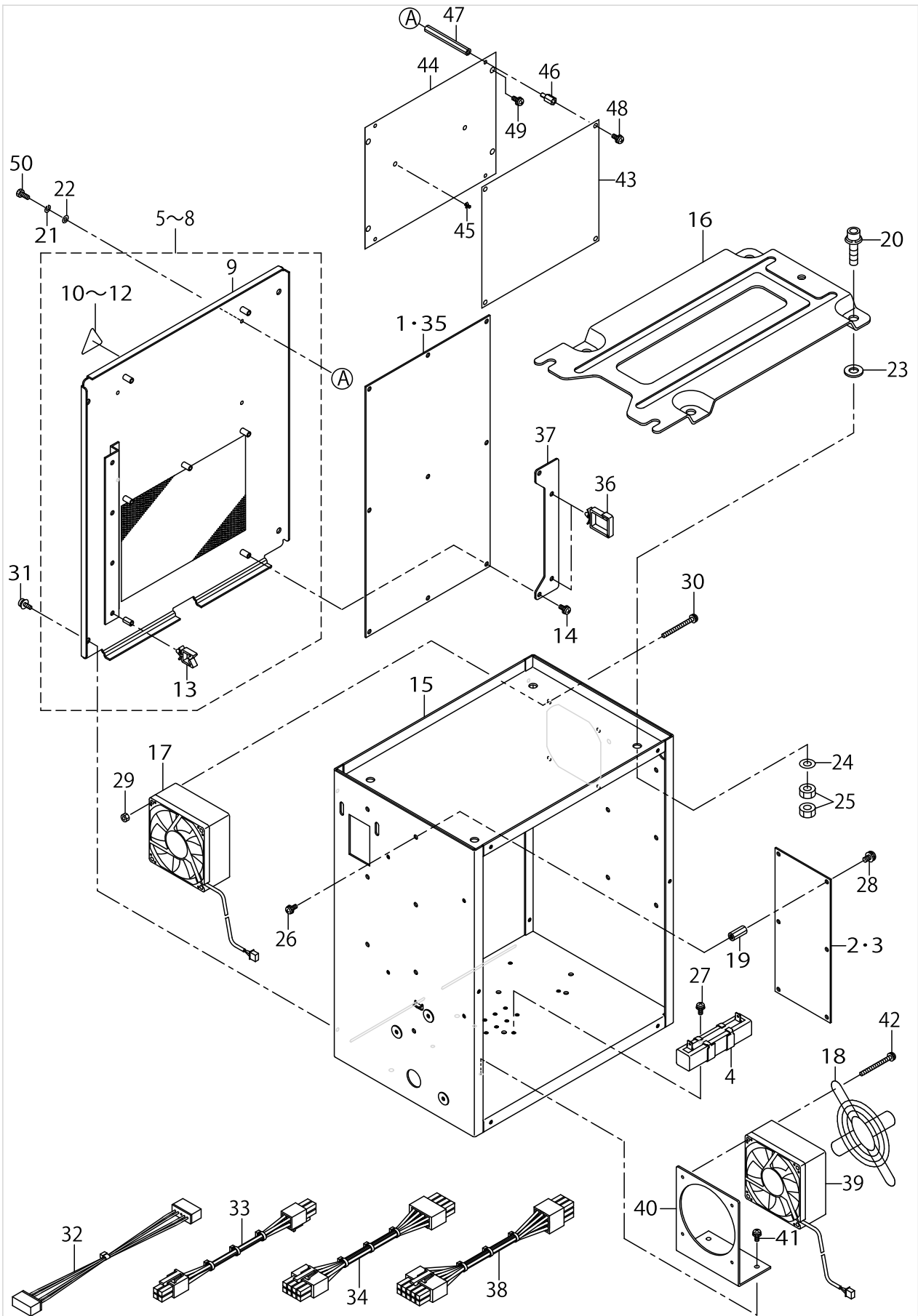
SC-915/SC-916 TRANSMISSION COMPONENTS (1)



SC-915/SC-916 TRANSMISSION COMPONENTS (1)

No.	Supply Code	Parts No.	Replacement	Parts name	Remarks	Choice	Step	Level	Cons	Qty	Rep. QTY
1		40005951		CTL PCB A ASM.	FOR SC-915					1	
2		40000056		FLT-T PCB A ASS'Y	FOR USE IN JAPAN/JU-S/EXPORT (3-PHASE)					1	
3	R	40000046	40162838	FLT-S PCB A ASS'Y	FOR EXPORT(1-PHASE)/CE					1	1.00
4		40005979		REGENERATIVE RESISTANCE A ASM.						1	
5		40006000		REAR COVER A ASM.	FOR SC-9-15 USE IN JAPAN/JU-S/EXPORT (3-PHASE)					1	
6		40006001		REAR COVER 200V 1-PHASE ASM.	FOR SC-9-15 EXPORT(1-PHASE)/CE					1	
7		40012697		REAR COVER A ASSY	FOR SC-9-16 USE IN JAPAN/JU-S/EXPORT (3-PHASE)					1	
8		40012698		REAR COVER B ASSY	FOR SC-9-16 EXPORT(1-PHASE)/CE					1	
9		40015548		REAR COVER				*		1	
10		CM300100401		LABEL 3 (LARGE)	FOR USE IN JAPAN/JU-S/EXPORT (3-PHASE)			*		1	
11		CM300100003		VOLTAGE WARNING LABEL(25)	FOR EXPORT(1-PHASE)/CE			*		1	
12		CM300400601		VOLTAGE CAUTION LABEL	FOR EXPORT(1-PHASE)/CE			*		1	
13		HX00222000B		CABLE CLAMP				*		1	
14		SL4040881SC		SCREW M4 L=8						7	
15	R	40003451	40055355	CONTROL BOX						1	1.00
16		M3801476000		TRANSMISSION BOX FITTING PLATE						1	
17		40154492		FAN ASSY						1	
18		HM000480010		FINGER GUARD						1	
19		HX00337000B		SPACER						6	
20		SL6083092TN		SCREW						4	
21		WS0410002KN		SPRING WASHER	FOR SC-916					4	
22		WP0430801SC		WASHER 4.3X9X0.8	FOR SC-916					4	
23		M4206461000		WASHER						4	
24		WP0841601SC		WASHER 8.4X17.4X1.6						4	
25		NM6080001SC		NUT M8X1.25						8	
26		SL4040891SC		SCREW M4 L=8						6	
27		SL4040891SC		SCREW M4 L=8						1	
28		SL4040881SC		SCREW M4 L=8						1	
29		NM3040520SF		FLANGE NUT M4						4	
30		SL4044091SE		SCREW M4 L=40						4	
31		SL4040891SC		SCREW M4 L=8						4	
32		40005987		PDD RELAY CORD A ASM.						1	
33		40005985		DC85 VOLT CORD A ASM.						1	
34		40005986		DC33 VOLT CORD A ASM.						1	
35		40016451		CTL PCB A ASSY	FOR SC-916					1	

SC-915/SC-916 TRANSMISSION COMPONENTS (1)

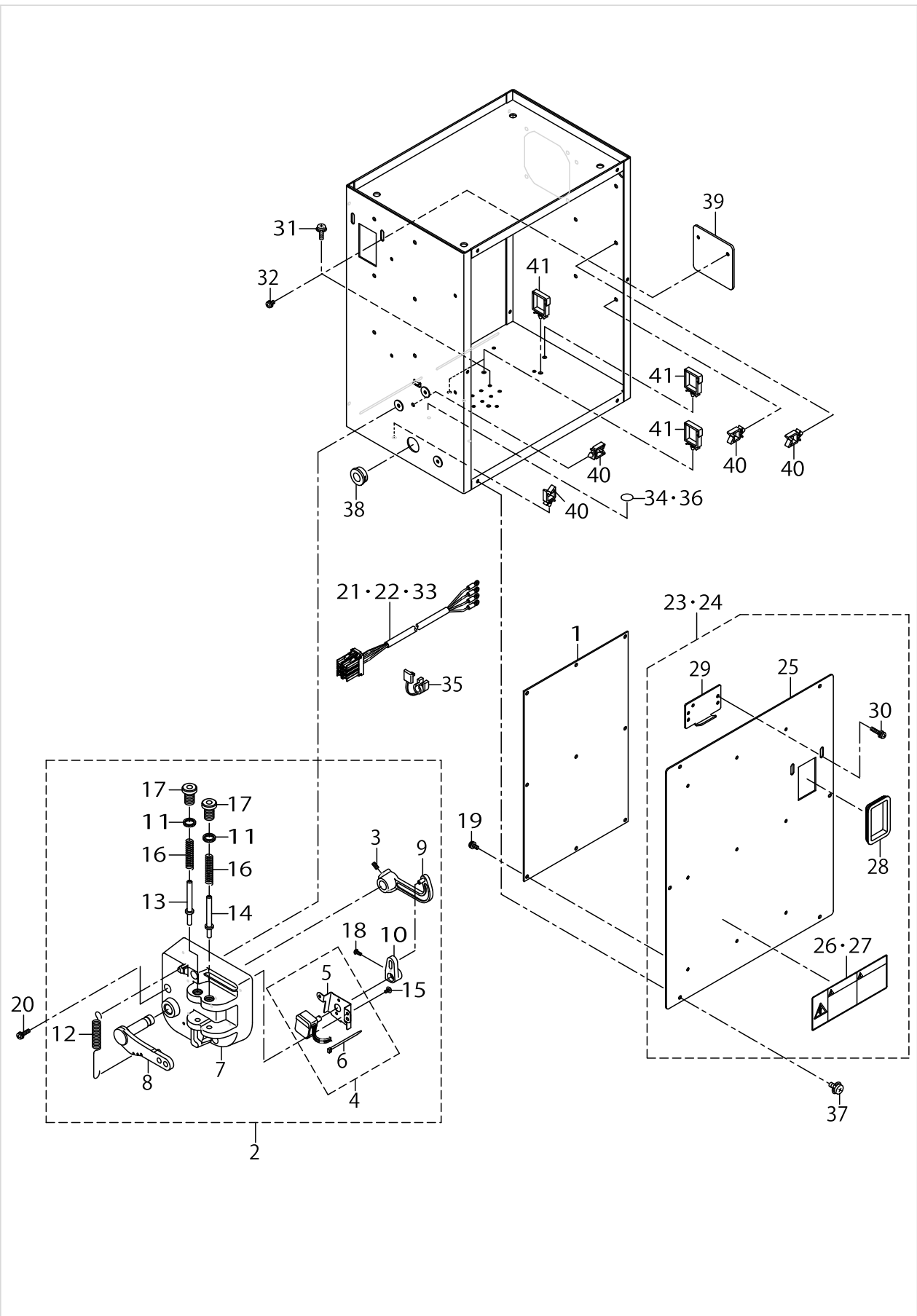


SC-915/SC-916 TRANSMISSION COMPONENTS (1)

No.	Supply Code	Parts No.	Replacement	Parts name	Remarks	Choice	Step	Level	Cons	Qty	Rep. QTY
36		HX005110000		WIRE SADDLE							2
37		40006003		CTL CLAMP HOLDER PLATE							1
38		40015544		BTPM POWER CABLE ASSY	FOR SC-916						1
39		40154493		FAN ASSY	FOR SC-916						1
40		40005404		FAN MOTOR BRACKET	FOR SC-916						1
41		SL4040891SC		SCREW M4 L=8	FOR SC-916						2
42		SL4033091SC		SCREW M3 L=30	FOR SC-916						4
43		40013881		BTPM PCB A ASSY	FOR SC-916						1
44		40013864		BTPM PCB HOLDER BOARD	FOR SC-916						1
45		HX00147000C		SPACER	FOR SC-916						2
46		HX003390000		STUD	FOR SC-916						4
47	D	HX005940000		SPACER	FOR SC-916						4
48		SL4040881SC		SCREW M4 L=8	FOR SC-916						4
49		SL4040891SC		SCREW M4 L=8	FOR SC-916						4
50		SM9041050SC		SCREW M4X0.7 L=10	FOR SC-916						4



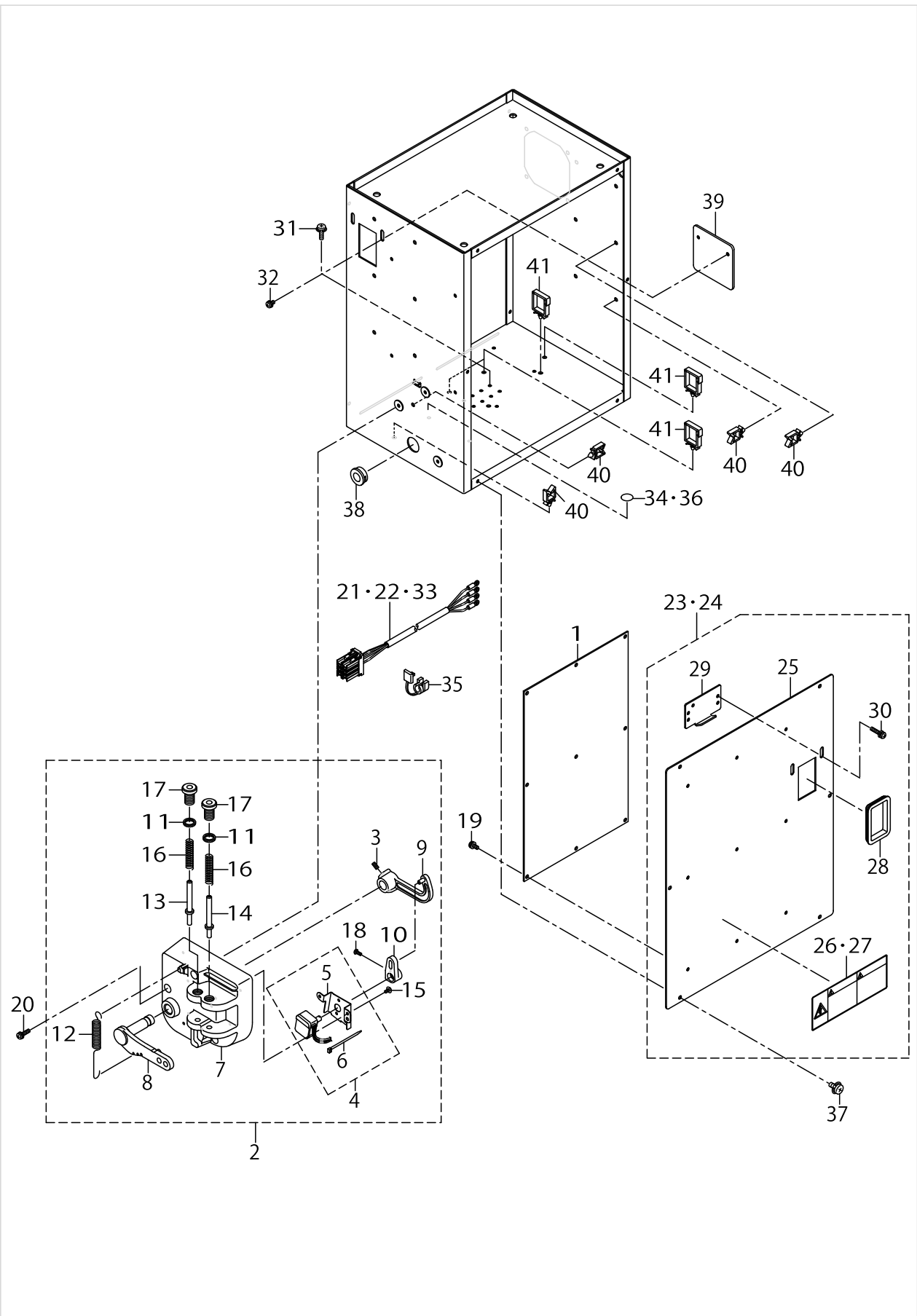
SC-915/SC-916 TRANSMISSION COMPONENTS (2)



SC-915/SC-916 TRANSMISSION COMPONENTS (2)

No.	Supply Code	Parts No.	Replacement	Parts name	Remarks	Choice	Step	Level	Cons	Qty	Rep. QTY
1		40006021		PWR CIRCUIT BOARD A ASM.	FOR SC-9-16(FROM REV.03)					1	
2		40005980		PEDAL SENSOR UNIT A ASM.						1	
3		SM8040802TP		SCREW M4X8				*		2	
4		40005981		SENSOR FITTING PLATE A ASM.				*		1	
5		M4006461000		SENSOR INSTALLING PLATE				*		1	
6		EA9500B0100		CABLE BAND				*		1	
7		M4001461000		PEDAL SENSOR BASE				*		1	
8		M4002461000		PEDAL LEVER				*		1	
9	R	M4004461000	40006204	PEDAL RING				*		1	1.00
10		M4005461000		VOLUME LINK				*		1	
11		M2010110000		ADJUST NUT				*		2	
12		M4007351000		FRONT SPRING				*		1	
13		M4008351000A		SPRING SHAFT A				*		1	
14		M4009351000A		SPRING SHAFT B				*		1	
15		SV4030601SR		SCREW M3 L=6				*		2	
16		M4011351000		SPRING B				*		2	
17		M4012351000		ADJUST SCREW				*		2	
18		SM4030801SF		SCREW M3X0.5 L=8				*		1	
19		SL4040881SC		SCREW M4 L=8						9	
20		SL4041681SF		SCREW M4 L=16						3	
21		40005975		AC INPUT 3-PHASE CORD A ASM.	FOR USE IN JAPAN/JUS/EXPORT (3-PHASE)					1	
22		40005976		AC INPUT 1-PHASE CORD A ASM.	FOR EXPORT(1-PHASE)					1	
23		40005990		FRONT COVER A ASM.	FOR USE IN JAPAN/JUS/EXPORT (3-PHASE)					1	
24		40005992		FRONT COVER 200V 1-PHASE ASM.	FOR EXPORT(1-PHASE)/CE					1	
25		40005991		TRANSMISSION BOX FRONT COVER				*		1	
26		CM300100003		VOLTAGE WARNING LABEL(25)	FOR EXPORT(1-PHASE)/CE			*		1	
27		CM300100401		LABEL 3 (LARGE)	FOR USE IN JAPAN/JUS/EXPORT (3-PHASE)			*		1	
28		HX004070000		BUSH				*		1	
29		17845009		CORD FITTING PLATE				*		1	
30		SL4042091SC		SCREW M4X0.7 L=20				*		2	
31		SL4041091SE		SCREW M4 L=10						3	
32		SL4040891SC		SCREW M4 L=8						2	
33		40005977		AC INPUT 1-PHASE CORD CE ASM.	FOR CE					1	
34		CM200100001		PE MARK LABEL	FOR CE					1	
35		HX00410000A		STRAIN RELIEF BUSHING						1	
36		E9567319000		EARTH MARK	EXCEPT CE					1	
37		SL4040891SC		SCREW M4 L=8						6	
38		HX00188000D		BUSH						1	
39		40006002		BOX HORIZONTAL COVER						1	

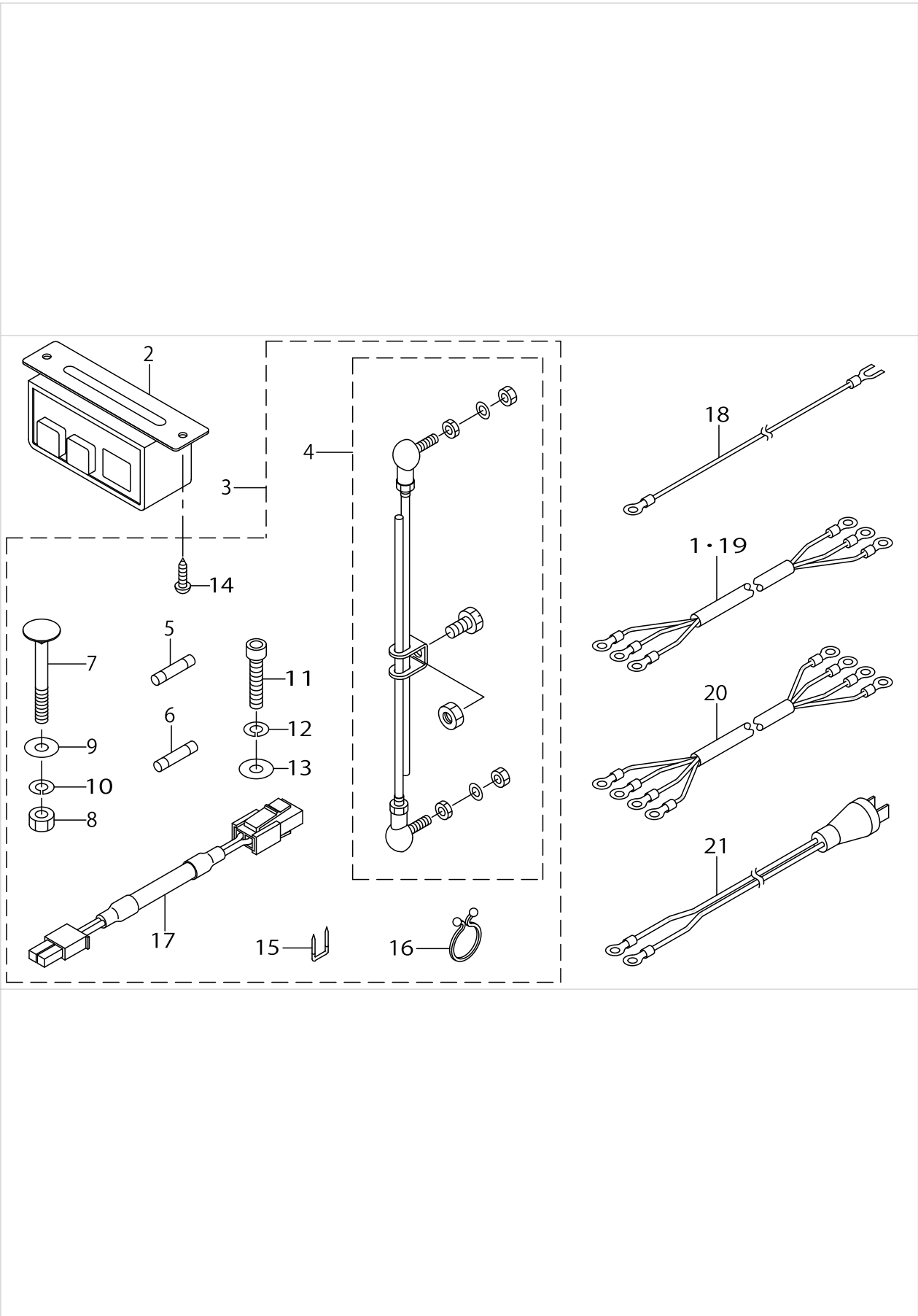
SC-915/SC-916 TRANSMISSION COMPONENTS (2)



SC-915/SC-916 TRANSMISSION COMPONENTS (2)

No.	Supply Code	Parts No.	Replacement	Parts name	Remarks	Choice	Step	Level	Cons	Qty	Rep. QTY
40	D	HX00222000A		CABLE CLAMP						4	
41		HX005110000		WIRE SADDLE						4	

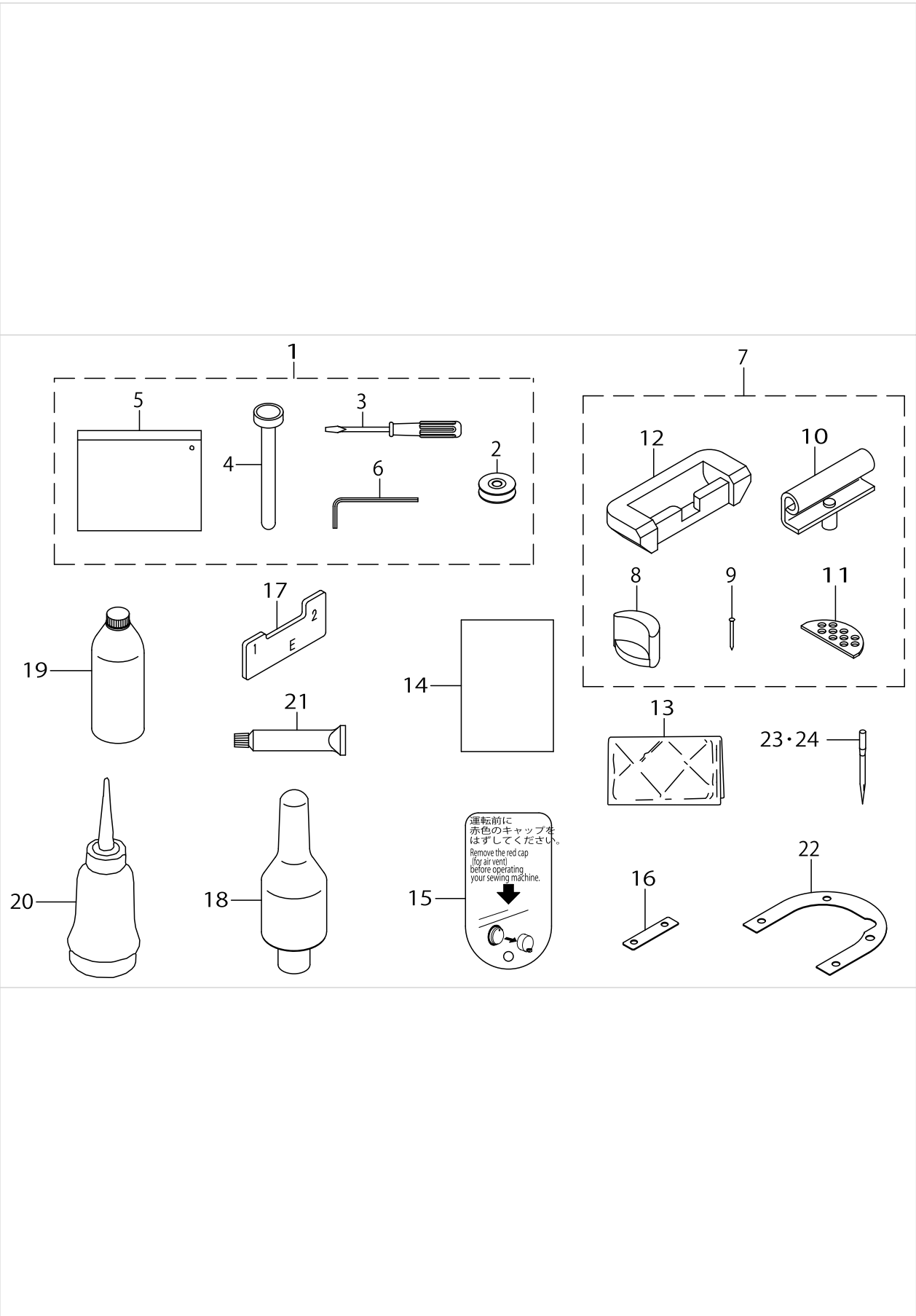
SC-915/SC-916 ACCESSORIE PARTS COMPONENTS



SC-915/SC-916 ACCESSORIE PARTS COMPONENTS

No.	Supply Code	Parts No.	Replacement	Parts name	Remarks	Choice	Step	Level	Cons	Qty	Rep. QTY
1		40005390		POWER CABLE JE ASM.	FOR CE					1	
2		40113427		POWER SWITCH	EXCEPT CE					1	
3		40006010		BOX ACCESSORIE PART A ASM.						1	
4		22958458		CONNECTING ROD ASM. B				*		1	
5		HF001301000		TIMING LAG FUSE 10A				*		1	
6		HF0078020P0		FUSE 2A				*		1	
7		MTSHJ100003		BOLT				*		2	
8		NM6080002SC		NUT M8				*		2	
9		WP0852086SC		WASHER M8				*		2	
10		WS0820002KR		SPRING WASHER M8				*		2	
11		SM6084002TN		SCREW M8 L=40				*		1	
12		WS0820002KR		SPRING WASHER M8				*		1	
13		WP0841601SC		WASHER 8.4X17.4X1.6				*		1	
14		SK3512001SE		WOOD SCREW D=5.1 L=20				*		2	
15		MAO11532000		CORD STAPLE				*		5	
16		HX005100000		OMEGALOCK				*		1	
17		40005988		HEAD FAN RELAY CORD A ASM.				*		1	
18		M90345800A0		GROUND CORD ASM.	FOR 1-PH-ASE(USE IN JAPAN/JUS)					1	
19		M90245800A0		POWER CABLE ASM. 100V	FOR EXPORT(1-PHASE)					1	
20		M90175800A0		POWER CABLE ASM.	FOR 3-PH-ASE (USE IN JAPAN/-JUS/EXPORT)					1	
21		M90355800A0		POWER SOURCE CORD ASM.	FOR 1-PH-ASE(USE IN JAPAN/JUS)					1	

ACCESSORIE PARTS COMPONENTS

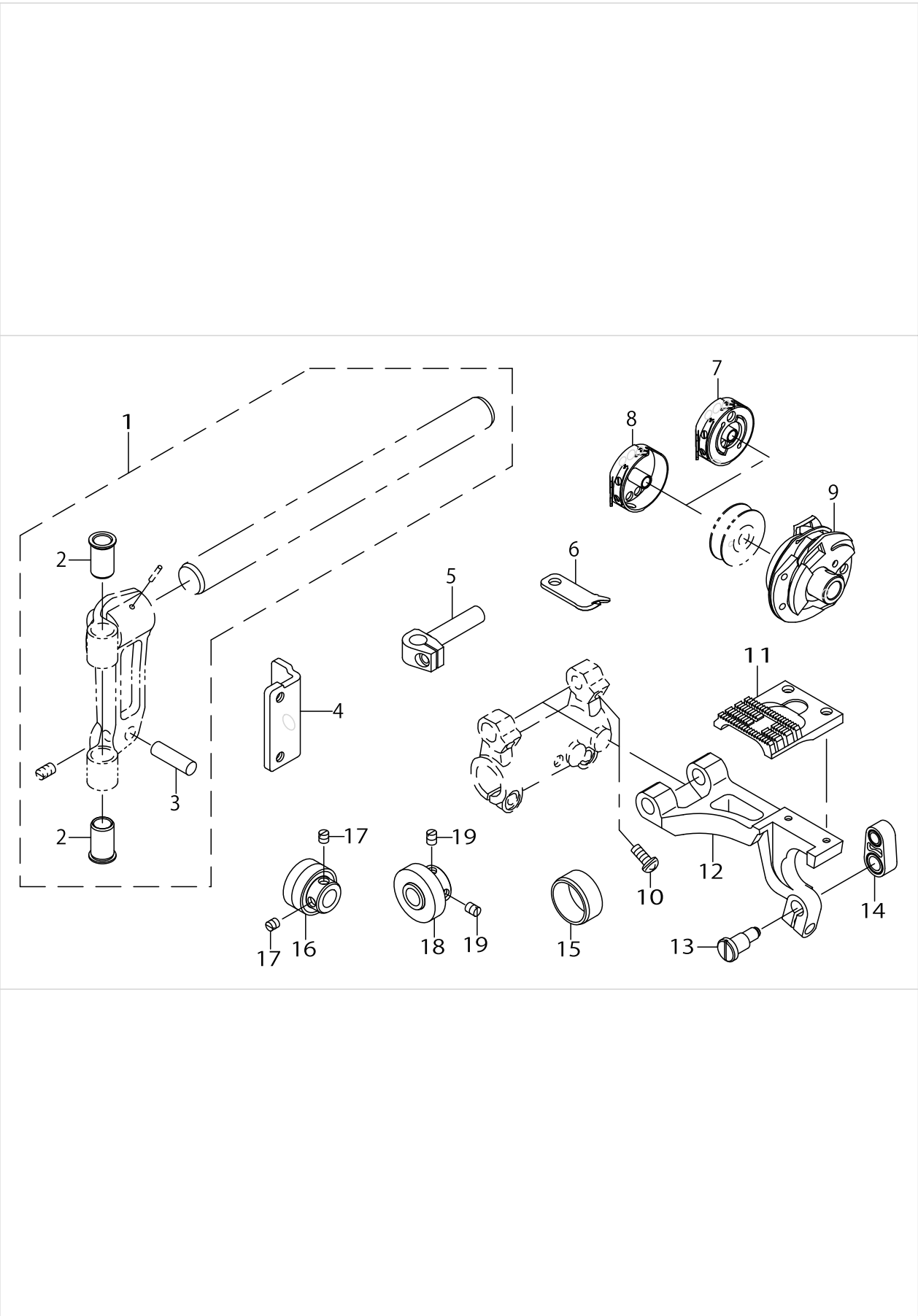


ACCESSORIE PARTS COMPONENTS

No.	Supply Code	Parts No.	Replacement	Parts name	Remarks	Choice	Step	Level	Cons	Qty	Rep. QTY
1		22587174		ACCESSORIE BAG						1	
2		22596704		BOBBIN S				*		1	
3		22933204		SCREW DRIVER SMALL				*		1	
4		23639701		KNEE LIFTER PRESSER ROD				*		1	
5		22932800		ACCESSORIE BAG				*		1	
6		B9102057000		WRENCH (3/32)				*		1	
7		22958052		RUBBER HINGE ASM.	VARIOUS NOS.FOR DESTINATIONS					1	
8	R	22958003	11075900	FRAME BUBBER CUSHION				*		2	1.00
9	D	22926208		NAIL				*		8	
10	R	22926356	22958052	HINGE COMPL.				*		2	1.00
11	R	22926505	D8226555E00	WASHER				*		2	1.00
12	R	22926000	22958052	RUBBER CUSHION				*		2	1.00
13		26234005		VINYL COVER	VARIOUS NOS.FOR DESTINATIONS					1	
14		29342409		SHEET						1	
15		23640006		SHEET						1	
16		10025906		SPACER	FOR LZ-22-90A-SU-7/ LZ-2290A-DU-7					1	
17		22536502		TIMING GAUGE E						1	
18		14101208		HEAD SUPPORT BAR						1	
19		MDFRX1200C0		NEW DEFRIX OIL NO.1 (200ML)						1	
20		B91210120A0		OILER ASM.						1	
21		40006323		JUKI GREASE A TUBE						1	
22		22503908		SPACER	FOR LZ-22-90A-SU-7/ LZ-2290A-DU-7					1	
23	R	MC192300752	MC192300750	NEEDLE 438 #75-2	VARIOUS NOS.FOR DESTINATIONS					1	1.00
24	R	MDP500B1002	MDP500B1000	NEEDLE DPX5 #10-2	VARIOUS NOS.FOR DESTINATIONS					1	1.00



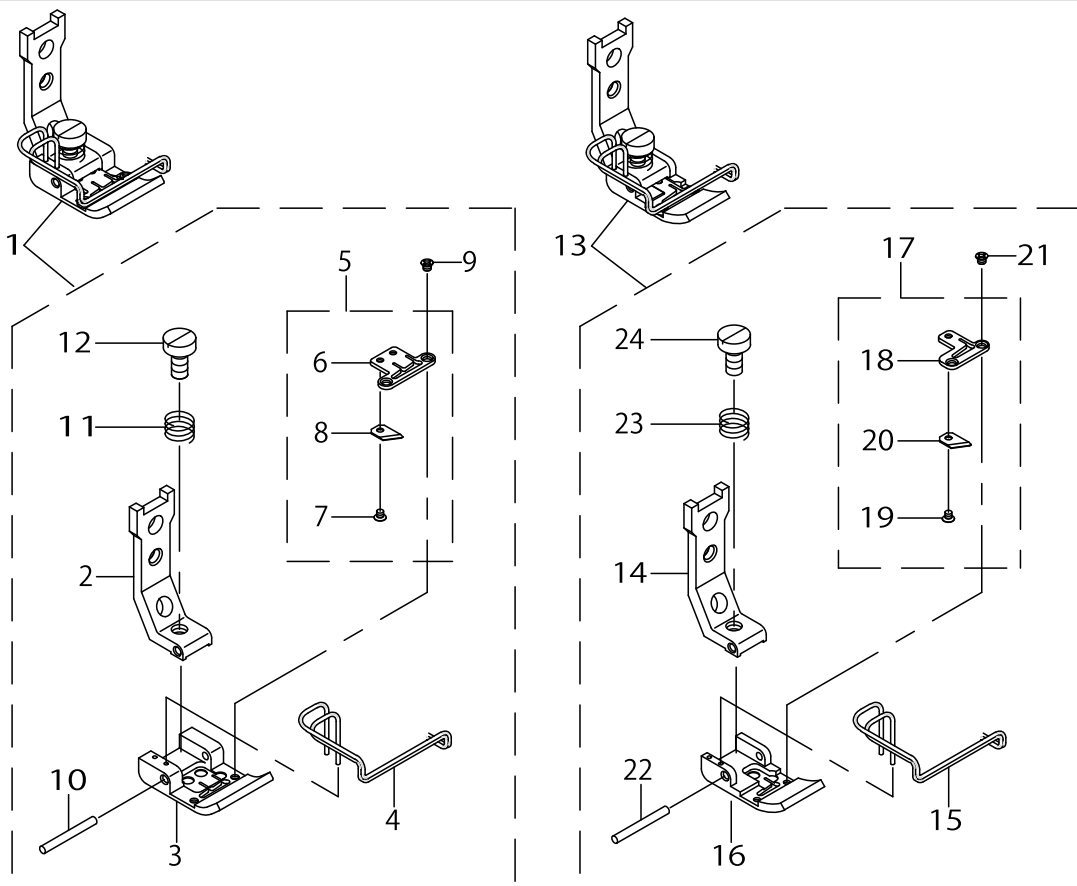
COMMON PARTS FOR LZ-2290A-DS,LZ-2290A-DS-7,LZ-2290A-DU,LZ-2290A-DU-7



COMMON PARTS FOR LZ-2290A-DS,LZ-2290A-DS-7,LZ-2290A-DU,LZ-2290A-DU-7

No.	Supply Code	Parts No.	Replacement	Parts name	Remarks	Choice	Step	Level	Cons	Qty	Rep. QTY
1		23556053		NEEDLE ROD SUPPORT BASE D ASM.						1	
2	R	23556004	23556053	NEEDLERODMETALD				*		2	1.00
3		23556301		SUPPORT BASE GUIDE SHAFT D				*		1	
4	D	23556202		NEEDLE ROD CRANK ROD GUIDE D						1	
5		23556103		NEEDLE ROD HOLDER D						1	
6		23558109		INNER HOOK STOPPER D						1	
7		40003609		BOBBIN CASE D3 COMPL.						1	
8		40003610		BOBBIN CASE D3 ASM.						1	
9		23557259		HOOK COMPL. D						1	
10		SS4120915SP		SCREW 3/16-28 L=9	FOR LZ-22-90A-DS/ L-Z-2290A-DS-7					2	
11		23558208		FEED D						1	
12	D	23558000		FEED BASE D	FOR LZ-22-90A-DS/ L-Z-2290A-DS-7					1	
13		23558406		VERTICAL FEED LINK SHAFT D	FOR LZ-22-90A-DS/ L-Z-2290A-DS-7					1	
14		40010264		VERTICAL FEED LINK	FOR LZ-22-90A-DS/ L-Z-2290A-DS-7					1	
15		23557101		OIL SEAL COLLAR D						1	
16	D	23557051		BEARING D AMS.						1	
17		SS8110410TP		SCREW 11/64-40 L=3.5						2	
18		23535255		HOOK SHAFT BEARING ASM.						1	
19	R	SS8110510SP	SS8110520TP	SCREW 11/64-40 L=5						2	1.00

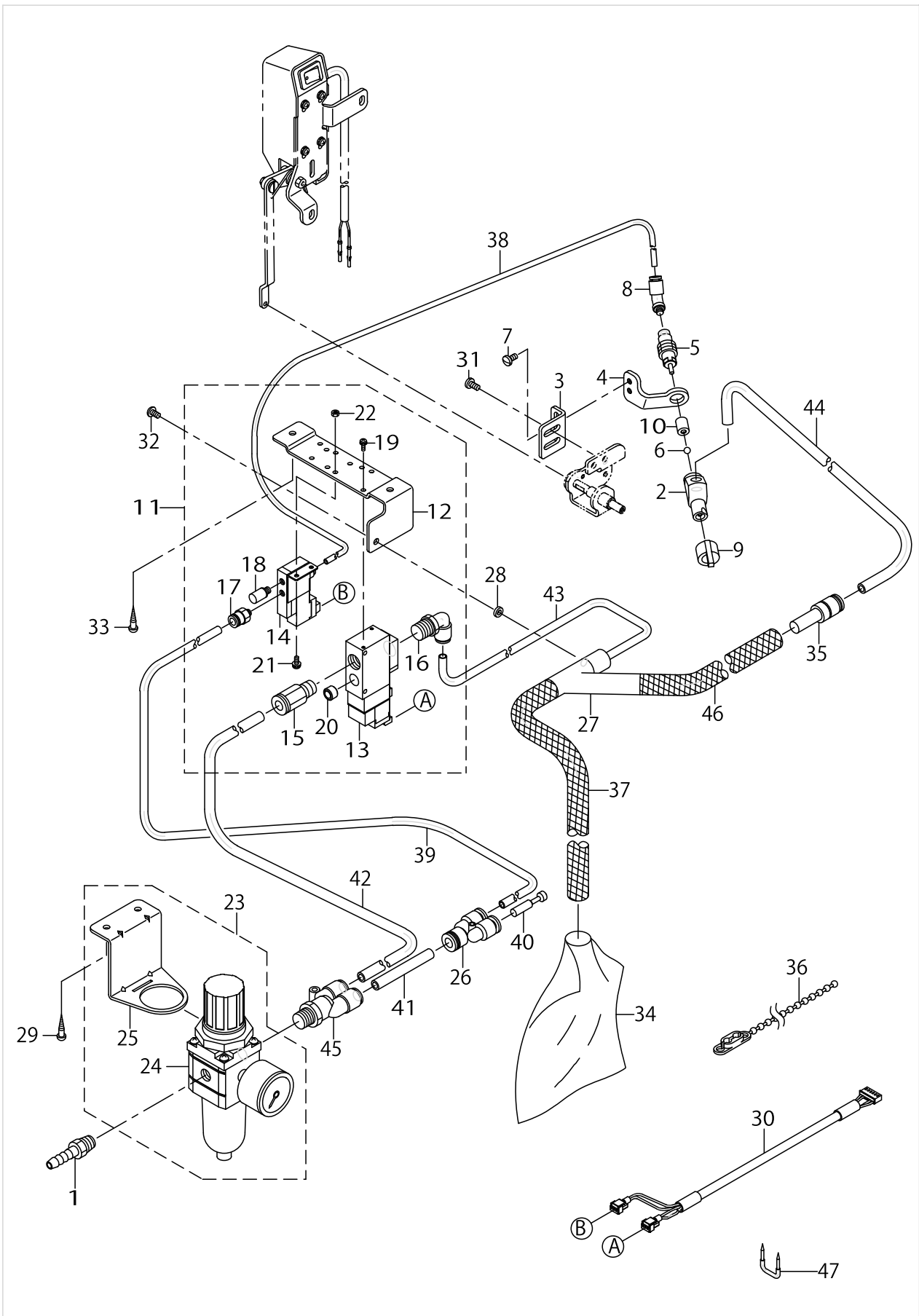
CB TYPE (1) (PRESSER FOOT COMPONENTS)



CB TYPE (1) (PRESSER FOOT COMPONENTS)

No.	Supply Code	Parts No.	Replacement	Parts name	Remarks	Choice	Step	Level	Cons	Qty	Rep. QTY
1		40003542		WIDE KNIFE PRESSER ASM.						1	
2		40003543		PRESSER (UPPER)				*		1	
3		40003544		PRESSER (LOWER) WIDE				*		1	
4	D	40003545		FINGER GUARD				*		1	
5		40003547		FIXING PLATE (WIDE) COMPL.				*		1	
6	D	40003546		KNIFE FIXING PLATE (WIDE)				*		1	
7	D	40003553		KNIFE STOPPER SCREW				*		2	
8		11434206		THREAD CUTTER KNIFE				*		2	
9	D	40003554		STOPPER SCREW				*		2	
10	R	10056109	22580864	PRESSER PIN A		A	LZ-2280/2-280N/2290/2290A	*		1	1.00
10	R	10056109	10055051	PRESSER PIN A		B	LZ-2280N	*		1	1.00
10	R	10056109	40003542	PRESSER PIN A		C	LZ-2290A	*		1	1.00
11		B1525582000		SPRING				*		1	
12		SS6090810SP		SCREW 9/64-40 L=7.5				*		1	
13		40003549		NARROW KNIFE PRESSER ASM.	OPTIONAL PARTS					1	
14		40003543		PRESSER (UPPER)				*		1	
15	D	40003545		FINGER GUARD				*		1	
16		40003550		PRESSER LOWER (NARROW)				*		1	
17		40003552		FIXING PLATE (NARROW) COMPL.				*		1	
18		40003551		KNIFE FIXING PLATE (NARROW)				*		1	
19	D	40003553		KNIFE STOPPER SCREW				*		1	
20		11434206		THREAD CUTTER KNIFE				*		1	
21	D	40003554		STOPPER SCREW				*		2	
22	D	22547806		PRESSER PIN				*		1	
23		B1525582000		SPRING				*		1	
24		SS6090810SP		SCREW 9/64-40 L=7.5				*		1	

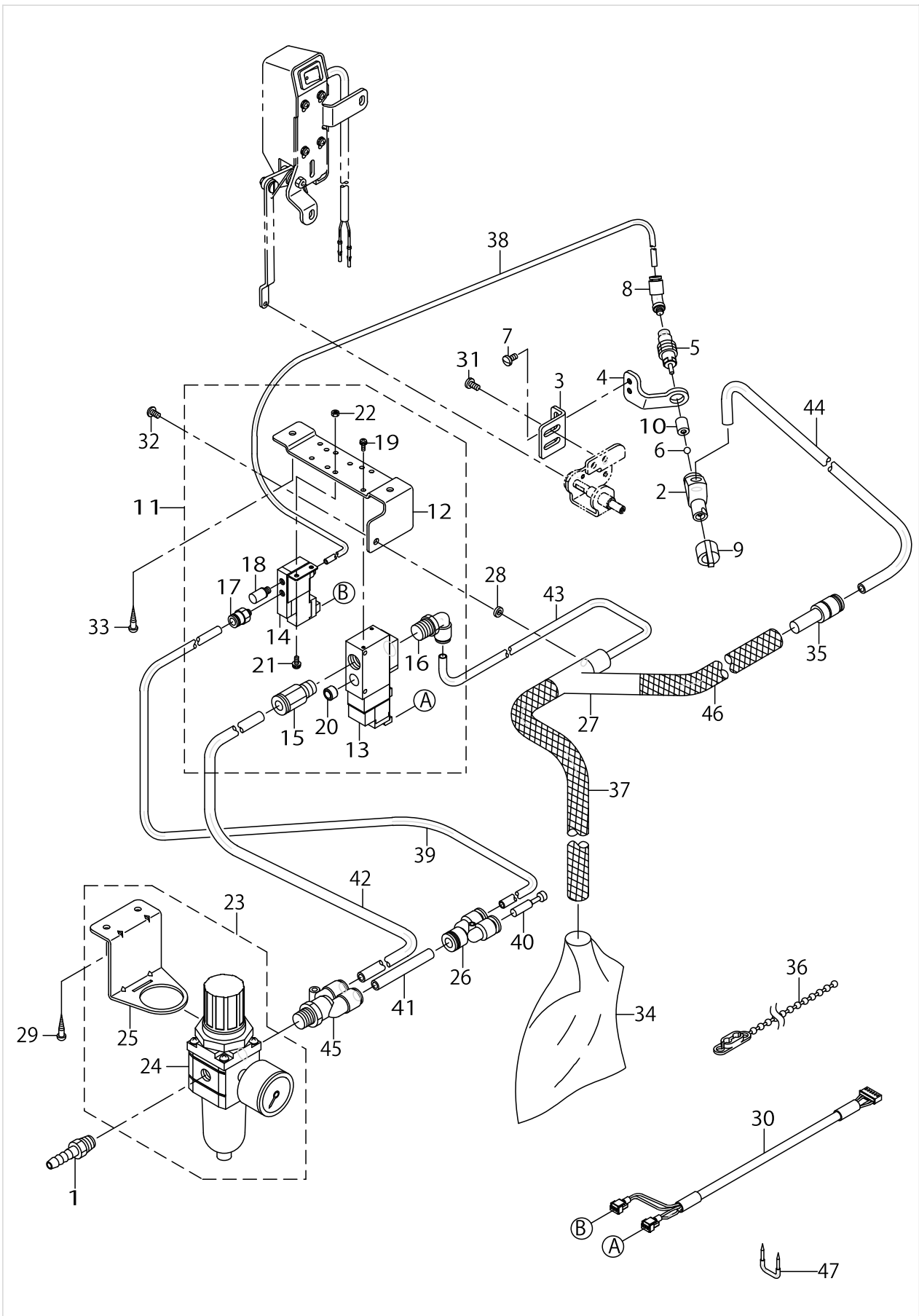
CB TYPE (2) (THREAD HOLDER & AIR COMPONENTS)



CB TYPE (2) (THREAD HOLDER & AIR COMPONENTS)

No.	Supply Code	Parts No.	Replacement	Parts name	Remarks	Choice	Step	Level	Cons	Qty	Rep. QTY
1		PJ032526001		HOSE NIPPLE						1	
2		11429305		CLAMP HEAD						1	
3		40003536		CLAMP BASE A						1	
4		40003537		CLAMP BASE B						1	
5		11429008		CLAMP CYLINDER						1	
6		11428505		CLAMP BALL						1	
7		SS7110840SP		SCREW 11/64-40 L=7.8						2	
8		PJ309040501		ELBOW UNION						1	
9		40003538		HEAD COVER						1	
10		11427705		HEAD BUSH						1	
11		40003562		ELECTROMAGNETIC VALVE COMPL.						1	
12		40003565		FITTING PLATE				*		1	
13		PV135207000		3-PORT ELECTROMAGNETIC VALVE				*		1	
14		PV130539000		3-PORT ELECTROMAGNETIC VALVE				*		1	
15		PJ301085201		HALF UNION				*		1	
16		PJ304065201		ELBOW UNION 6XPT1/4				*		1	
17		PJ301060503		HALF UNION				*		1	
18		PX050501000		SILENCER				*		1	
19		SL4850891SC		SCREW M2.5 L=8				*		2	
20		PJ025100002		PLUG R1/8				*		1	
21		SL4030891SC		SCREW M3X8				*		2	
22		NM6030001SC		NUT M3				*		2	
23		40003560		REGULATOR ASM.						1	
24	R	PF0152030A0	40003560	FILTER REGULATOR				*		1	1.00
25		PF902005000		REGULATOR BRACKET				*		1	
26		PJ308080001		UNION Y						1	
27		F10120030A0		NOZZLE ASM.						1	
28		B1155771000		CUSHION						1	
29	R	SK3412000SC	SK3412000SE	WOOD SCREW D=4.1 L=20						2	1.00
30		40003564		CORD ASM.						1	
31		SS7110840SP		SCREW 11/64-40 L=7.8						2	
32		SS4110715SP		SCREW 11/64-40 L=7						1	
33	R	SK3412000SC	SK3412000SE	WOOD SCREW D=4.1 L=20						2	1.00
34		11428802		DUST BAG						1	
35		PJ301080001		REDUCER						1	
36	R	HX002890000	HX005970000	BEADE BAND						1	1.00
37		BT1601001Z0		TUBE						.4	
38		BT0400251EB		URETHANE HOSE BLACK						1.5	
39		BT0600401EB		TUBE						.14	
40		PX950009000		PLUG						1	
41		BT0800501EB		VINYL TUBE						.06	
42		BT0800501EB		VINYL TUBE						.3	
43		BT0600401EB		TUBE						.13	
44		BT0800501EB		VINYL TUBE						1.3	
45		PJ308085202		UNION Y						1	

CB TYPE (2) (THREAD HOLDER & AIR COMPONENTS)

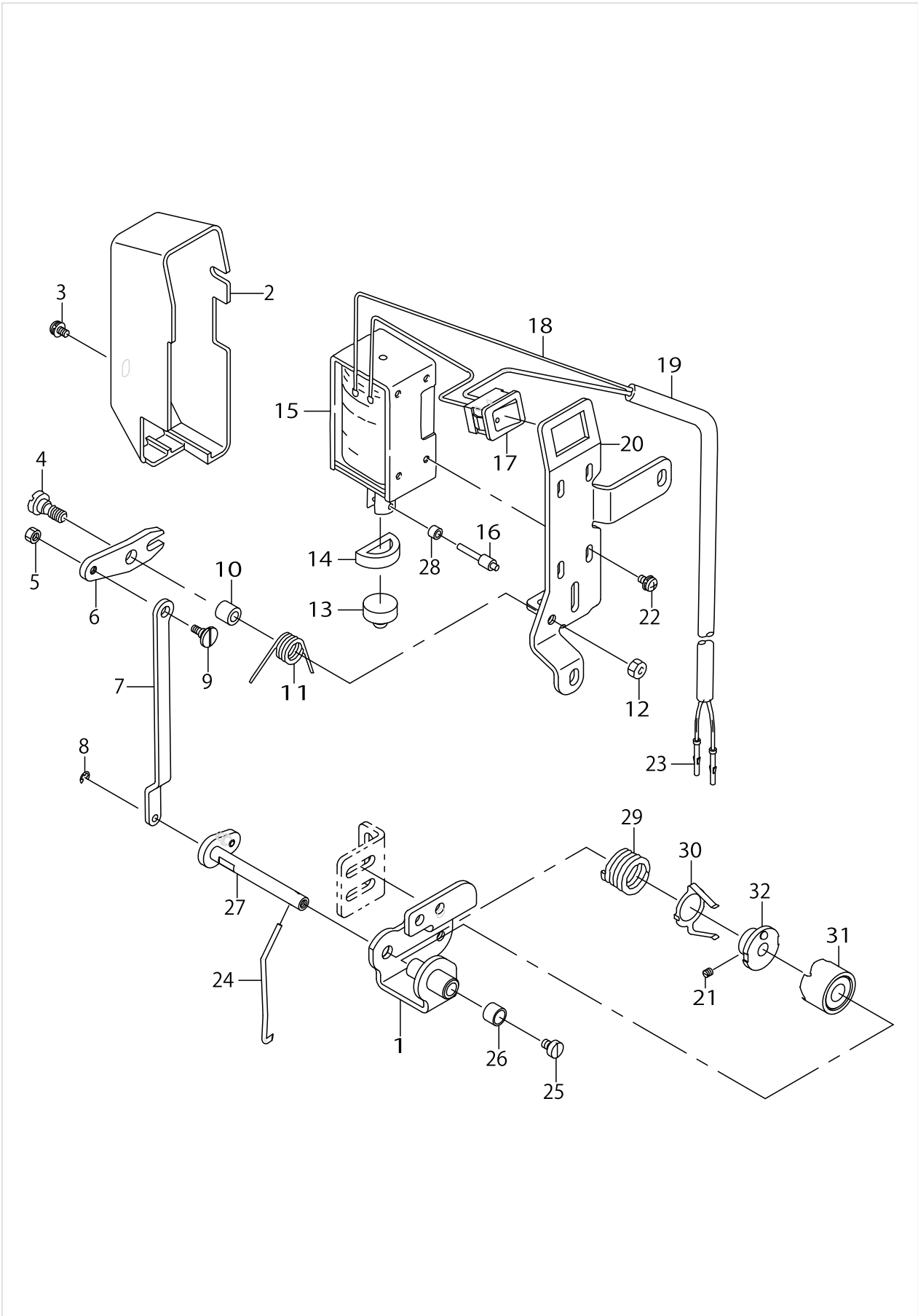


CB TYPE (2) (THREAD HOLDER & AIR COMPONENTS)

No.	Supply Code	Parts No.	Replacement	Parts name	Remarks	Choice	Step	Level	Cons	Qty	Rep. QTY
46		BT1601001Z0		TUBE						.15	
47		D8204555D00		DRAWER STOPPER						2	



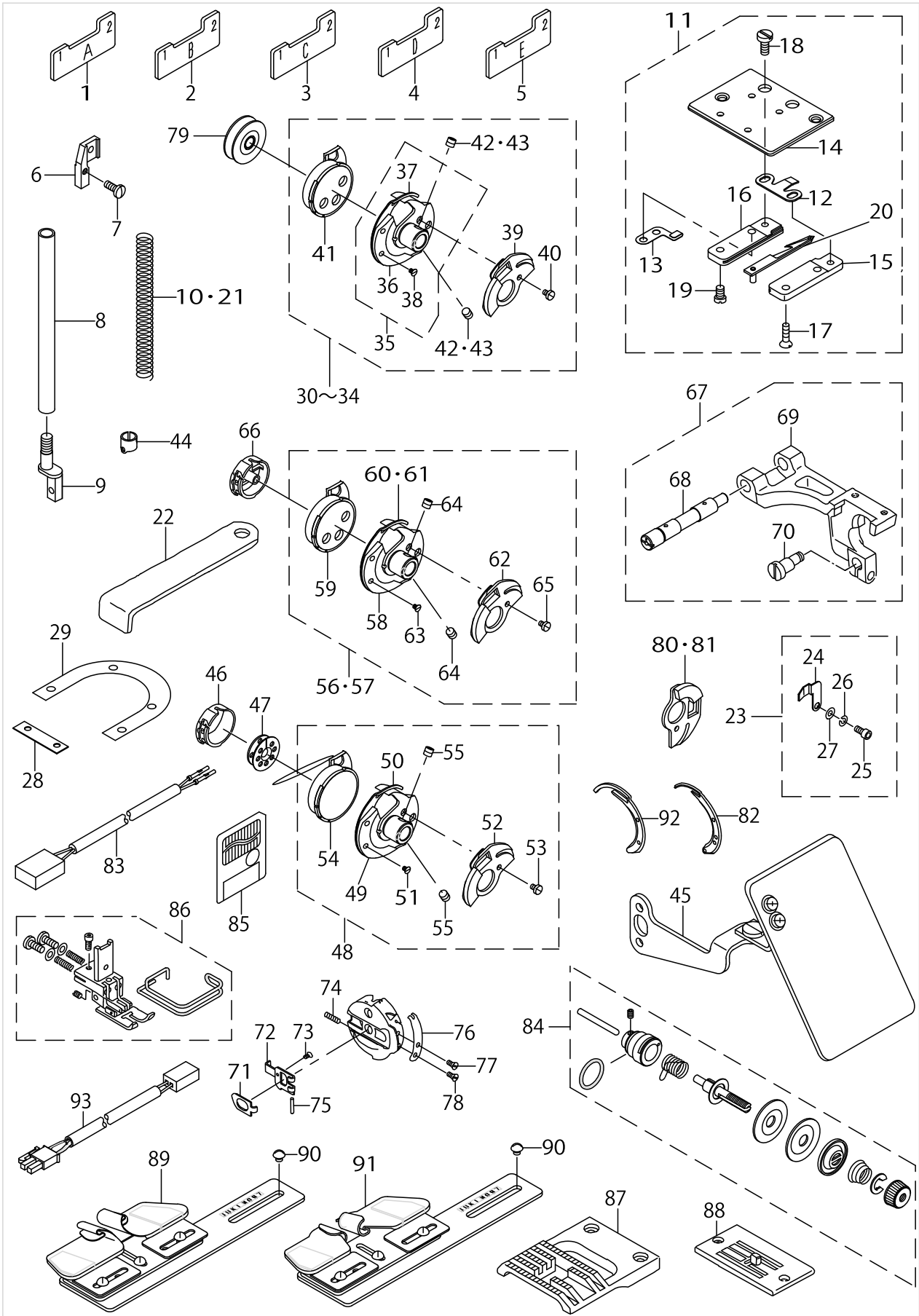
CB TYPE (3) (WIPER MECHANISM COMPONENTS)



CB TYPE (3) (WIPER MECHANISM COMPONENTS)

No.	Supply Code	Parts No.	Replacement	Parts name	Remarks	Choice	Step	Level	Cons	Qty	Rep. QTY
1		40003534		WIPER FITTING BASE ASM.						1	
2		11425907		WIPER COVER						1	
3		SL4030631SC		SCREW M3X6						1	
4		SD0650321TP		HINGE SCREW D=6.5 H=3.2						1	
5		NS6090310SP		NUT 9/64-40						1	
6		22956106		WIPER LINK A						1	
7		40003529		WIPER LINK B						1	
8		RE0250000K0		E-RING 2.5						1	
9		22956908		WIPER LINK B HINGE SCREW						1	
10		22956205		WIPER HINGE SCREW COLLAR						1	
11		22956304		WIPER SPRING						1	
12		NS6110310SP		NUT 11/64-40						1	
13		22955900		WIPER RUBBER A						1	
14		22956007		WIPER RUBBER B						1	
15		40106937		WIPER SOLENOID ASM.						1	
16		22957104		WIPER SOLENOID SHAFT						1	
17		HA00600000A		SWITCH						1	
18		HW200390000		ELECTRIC WIRE						.04	
19		HW5F18S1228		TWO-CORE CORD						1.7	
20		40003528		WIPER BASE						1	
21		SS8080310TP		SCREW 1/8-44 L=2.8						2	
22		SL4030641SE		SCREW						4	
23		HK03464000B		PIN CONTACT						2	
24		40003539		WIPER						1	
25		SS6090540SP		SCREW 9/64-40 L=5.0						1	
26		22956809		WIPER COLLAR						1	
27	R	40003540	11424959	WIPER SHAFT ASM.						1	1.00
28		22957203		WIPER LINK COLLAR						1	
29		11429107		SLIDE SPRING						1	
30		11422706		STOPPER SPRING B						1	
31		40003530		RATCHET COMPL.						1	
32		11425451		FOLLOWER ASM.						1	

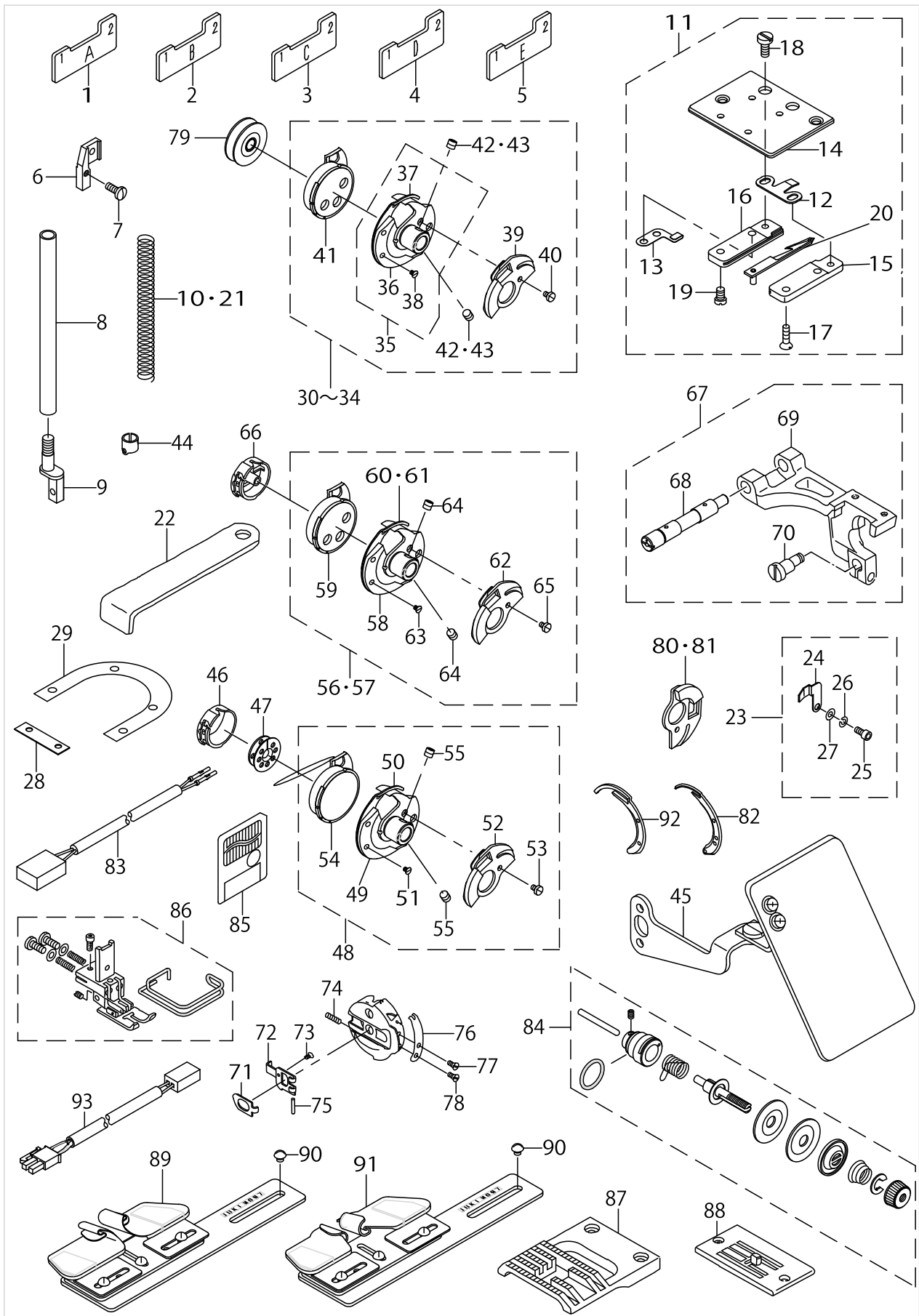
SPECIAL ORDER PARTS LZ-2290A (1)



SPECIAL ORDER PARTS LZ-2290A (1)

No.	Supply Code	Parts No.	Replacement	Parts name	Remarks	Choice	Step	Level	Cons	Qty	Rep. QTY
1	D	22535801		TIMING GAUGE						1	
2		22586705		TIMING GAUGE						1	
3	D	22535900		TIMMING GAUGE RIGHT						1	
4		22536403		TIMMING GAUG D						1	
5		22536502		TIMING GAUGE E						1	
6		B1551586000		PRESSER FOOT JOINT						1	
7	R	SS7090910SP	SS7090910TP	SCREW 9/64-40 L=8.5						1	1.00
8		D1501583H00		PRESSER BAR						1	
9		D1502583H00		PRESSER BAR						1	
10	R	B150522700A	B1505227T00A	PRESSER ADJUSTING SPRING		B		B:Japan		1	1.00
10	R	B150522700A	11162104	PRESSER ADJUSTING SPRING		C		C:自由選択- 品/C:Free choice parts		1	1.00
10	R	B150522700A	22907406	PRESSER ADJUSTING SPRING						1	1.00
11		22556054		KNIFE UNIT						1	
12		22556302		FIXED KNIFE				*		1	
13		22556450		CLAMP PLATE ASM.				*		1	
14		22556609		SLIDING PLATE				*		1	
15		22556708		DRIVING BASE				*		1	
16		22556807		DRIVING BASE				*		1	
17		SS1090510SP		SCREW 9/64-40 L=5				*		2	
18		SS6090420SP		SCREW 9/64-40 L=4.0				*		2	
19		SS7090710SP		SCREW 9/64-40 L=6.8				*		2	
20		22556153		DRIVING KNIFE ASM.				*		1	
21		11162104		SPRING						1	
22		B9101490000		DRIVER						1	
23		22525455		NEEDLE HOLDER ASM.						1	
24		22525406		NEEDLE GUARD				*		1	
25		SM6030602TP		SCREW M3X0.5 L=6				*		1	
26		WS0310702KS		SPRING WASHER				*		1	
27		WP0320500SC		WASHER M3				*		2	
28		10025906		SPACER						1	
29		22503908		SPACER						1	
30	R	22525059	22525877	HOOK COMPL. RIGHT						1	1.00
31		22526677		HOOK COMPL. V(PLASTIC HOOK)						1	
32		22526578		HOOK COMPL. V(HARD POINT)						1	
33	R	22525257	22526578	HOOK COMBINATIO- N (HARD POINT)						1	1.00
34	R	22525752	22526677	HOOK ASM. (PLASTIC)						1	1.00
35		22525968		ROTATING HOOK V ASM.				*		1	
36	R	22525919	22525968	OUTER HOOK V				*		1	1.00
37		23503501		INNER HOOK PRESSER V-S				*		1	
38		10033009		HOOK GIB SCREW				*		2	
39		22526206		REVERSE PLATE V				*		1	
40		10033108		HOOK COUNTER BALANCE SCREW				*		1	
41		22526008		INNER HOOK V				*		1	
42		SS8110422TP		SCREW 11/64-40 L=4				*		2	
43		SS8110520TP		SCREW 11/64-40 L=4.5				*		2	

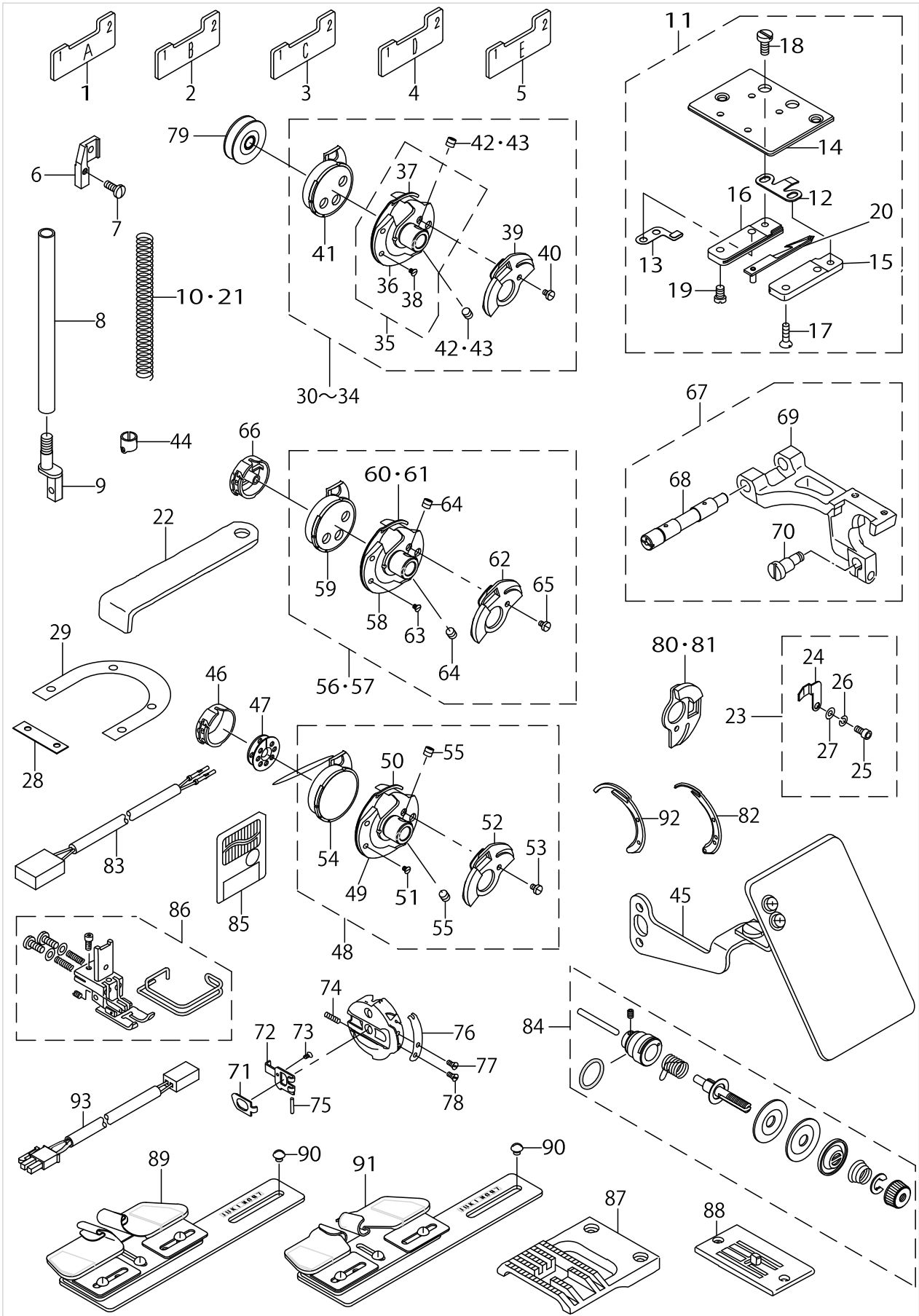
SPECIAL ORDER PARTS LZ-2290A (1)



SPECIAL ORDER PARTS LZ-2290A (1)

No.	Supply Code	Parts No.	Replacement	Parts name	Remarks	Choice	Step	Level	Cons	Qty	Rep. QTY
44		22507701		THRED RACK RIGHT						1	
45		22503353		SAFETY PLATE ASM.						1	
46		23522550		NOT TURN BOBBIN CASE ASM.						1	
47		23523004		NOT TURN BOBBIN						1	
48		23523152		NOT TURN BOBBIN HOOK COMPL. V						1	
49	R	22525919	22525968	OUTER HOOK V				*		1	1.00
50		23503501		INNER HOOK PRESSER V-S				*		1	
51		10033009		HOOK GIB SCREW				*		2	
52		23523202		NOT TURN BOBBIN INNER HOOK V				*		1	
53		10033108		HOOK COUNTER BALANCE SCREW				*		1	
54		22526008		INNER HOOK V				*		1	
55		SS8110422TP		SCREW 11/64-40 L=4				*		2	
56		23503659		HOOK COMPL. S	FOR INNER HOOK S					1	
57		23502958		HOOKCONNECTIONK	FOR INNER HOOK K					1	
58	R	23503709	23503659	OUTER HOOK S		A		*		1	1.00
58	R	23503709	23502958	OUTER HOOK S		B		*		1	1.00
59		23503808		INNER HOOK S				*		1	
60		23503907		INNER HOOK PRESSER S	FOR INNER HOOK S			*		1	
61		23503006		INNER HOOK PRESSER K	FOR INNER HOOK K			*		1	
62		23504004		BACK PLATE S				*		1	
63		23504103		INNER HOOK PRES- SER SETSCREW S				*		3	
64		23504301		OUTER HOOK SETSCREW S				*		2	
65		23504400		HOOK COUNTER B- ALANCE SCREW S				*		1	
66		23504657		BOBBIN CASE WITH SPRING						1	
67		23534951		R FEED KITS						1	
68		23534902		FEED BASE SHAFT R				*		1	
69	R	22519706	26303107	FEED BASE		A		*		1	1.00
69	R	22519706	40031418	FEED BASE				*		1	1.00
70	R	10026508	26303107	LINK PIN		A		*		1	1.00
70	R	10026508	40031418	LINK PIN				*		1	1.00
71		19800903		LC-601-1/ LATCH LEVER						1	
72		19801000		LC-602-2/ LATCH						1	
73		19801307		SMS-801-B/ SETSCREW PICK-UP						1	
74		19801109		LSP-4/ LATCH SPRING						1	
75		19801208		LFP-1/ LATCH PIN						1	
76		19801406		TSP-604-B/ TENSION SPRING						1	
77		19801505		SMS-608-B/ TENSION SCREW						1	
78		19801604		SMS-609-B/ SETS- CREW TENSION SPRING						1	
79	R	22524201	22596704	BOBBIN						1	1.00
80		22524805		REVERSE PLATE						1	
81		22526206		REVERSE PLATE V						1	
82		23503303		INNERPRESSERV-S4						1	
83		40008168		OP SWITCH CABLE A ASM.						1	
84		40017095		THREAD TENSION DISK ASM						1	

SPECIAL ORDER PARTS LZ-2290A (1)

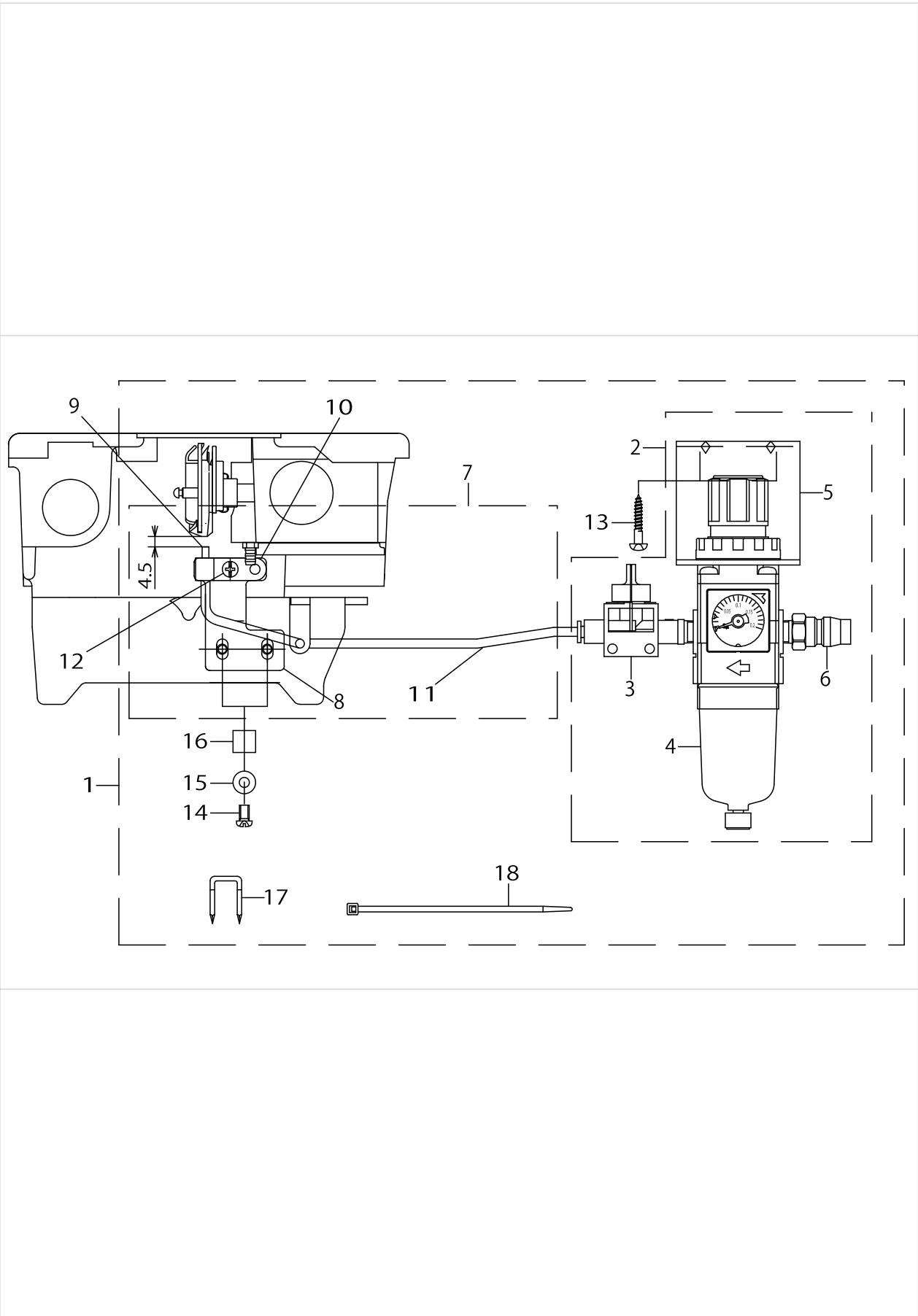


SPECIAL ORDER PARTS LZ-2290A (1)

No.	Supply Code	Parts No.	Replacement	Parts name	Remarks	Choice	Step	Level	Cons	Qty	Rep. QTY
85	R	HX005750000	40013614	SMARTMEDIA CARD						1	1.00
86		22591564		PRESSER FOOT ASM.	FOR LZ-22-90A-SR-7					1	
87		10064004		FEED DOG	FOR LZ-22-90A-SR-7					1	
88		10061554		THROAT PLATE ASM.	FOR LZ-22-90A-SR-7					1	
89		MAM09700BA0		FAGOTING FOLDER ASM.	FOR LZ-22-90A-SR-7					1	
90		SS5110710SP		SCREW 11/64-40 L=7	FOR LZ-22-90A-SR-7					2	
91		MAM097000A0		FAGOTTING FELLER	FOR LZ-22-90A-SR-7					1	
92		40016408		HOOK GIB VS						1	
93		40091888		FAN RELAY CABLE						1	



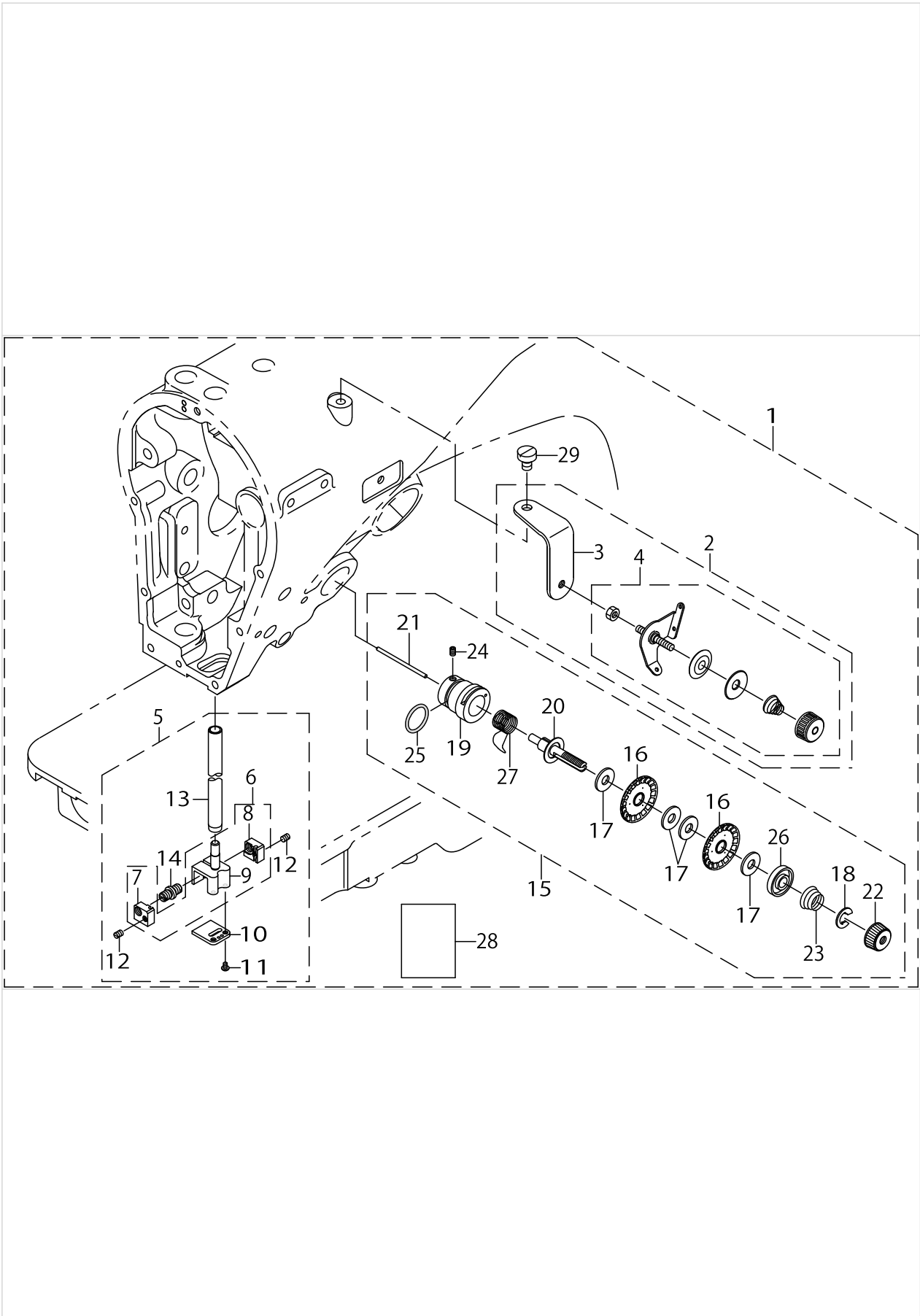
SPECIAL ORDER PARTS LZ-2290A (2)



SPECIAL ORDER PARTS LZ-2290A (2)

No.	Supply Code	Parts No.	Replacement	Parts name	Remarks	Choice	Step	Level	Cons	Qty	Rep. QTY
1		40023431		HOOK COOLING UNIT						1	
2		40023432		FILTER REGULATOR ASM.				*		1	
3		PV015122000		FINGER VALVE				*		1	
4		PF0551060A0		FILTER REGULATOR				*		1	
5		PF902005000		REGULATOR BRACKET				*		1	
6		PJ025100003		PLUG				*		1	
7		40023433		PIPE BRACKET ASM.				*		1	
8		40023434		PIPE BRACKET				*		1	
9		40023435		BLOWING PIPE				*		1	
10	R	11045408	22944508	WIRE HOLDER A				*		1	1.00
11		BT0400251EB		URETHANE HOSE BLACK				*		1	
12		SS4110715SP		SCREW 11/64-40 L=7				*		1	
13		SK3412001SE		WOOD SCREW D=4.1 L=20				*		2	
14		SS4111215SP		SCREW 11/64-40 L=12				*		2	
15		WP0450801SD		WASHER 4.5X10X0.8				*		2	
16		B4122804000		ROLLER				*		2	
17	D	MA011532000		STAPLE				*		2	
18		EA9500B0100		CABLE BAND				*		2	

SPECIAL ORDER PARTS LZ-2290A (3)



SPECIAL ORDER PARTS LZ-2290A (3)

No.	Supply Code	Parts No.	Replacement	Parts name	Remarks	Choice	Step	Level	Cons	Qty	Rep. QTY
1		40025920		TWO NEEDLES BAR SET						1	
2		40025762		THREAD TENSION ASM.				*		1	
3		40025763		TENSION BASE PLATE				*		1	
4	R	22528764	40050700	PRE-TENSION CONTROLLER ASM.				*		1	1.00
5		40025764		TWO NEEDLES CLAMP ASM.				*		1	
6		40099885		NEEDLE CLAMP ASM.				*		1	
7		40025768		GUIDE BLOCK L				*		1	
8		40025767		GUIDE BLOCK R				*		1	
9		40025765		NEEDLE CLAMP				*		1	
10		40025766		TWO NEEDLES CLAMP PLATE				*		1	
11		SS4060310SP		SCREW 3/32-56 L=2.5				*		2	
12		SS8080410TP		SCREW 1/8-44 L=3.5				*		2	
13		B1401380000		NEEDLE BAR				*		1	
14		40025769		GUIDE BLOCK SCREW				*		1	
15		40025913		THREAD TENSION ASM.C				*		1	
16		23547557		THREAD TENSION T COMPL.				*		2	
17		22528509		FELT				*		4	
18		22921407		ROTATION STOPPER				*		1	
19		23537665		THREAD TENSION ROD BASE ASM.				*		1	
20		23537756		THREAD TENSION ROD COMPL.				*		1	
21		40025915		TENSION RELEASING PIN				*		1	
22		23626005		THREAD TENSION NUT				*		1	
23		B3129012A00		TENSION SPRING				*		1	
24		SS8090670SP		SCREW 9/64-40 L=5.5				*		1	
25		RO133170100		RUBBER RING				*		1	
26		10006005		TENSION DISC HOLDER				*		1	
27		23538309		THREAD TAKE-UP SPRING				*		1	
28		40025923		TWO NEEDLES BAR SET INSTRUCTIO				*		1	
29		SS6620730SP		SCREW 3/16-32 L=7.0				*		1	



## HOW TO MAKE USE OF THIS PARTS LIST

### 1.Explanation of codes

1)"\*"mark.....means this part is changed from the previous parts book.

As to the details of the change, refer to the "List for information of change".

2)"#01".....refer to "Note" explanation at bottom of page.

### 2.Codes on the "Qty" column

• Each numeral indicates the number of parts required.

• "0.1" and "2.5" indicate the length (in meters) of the respective parts.

3.Parentheses mean that the corresponding part is a subpart that constructs an assembly part.

4.Dotted lines on the Figures indicate assembly parts.

### 1."注記"欄の記号説明

1) "\*"印.....前回のパーツブックに比較して今回変更された部品を意味します。

変更内容は、"変更情報リスト"を参照してください。

2) "#01".....ページ下の"注記"の説明を参照してください。

2.数量欄の数字は、個数を表し、0.1、2.5等の数値は、長さ（単位メートル）を表します。

3.数量欄の（ ）は、組部品を構成している子部品であることを意味します。

4.イラストページの-----枠は、組構成であることを意味します。

# NUMERICAL INDEX OF PARTS

PART NO	PAGE	REF NO.	PART NO	PAGE	REF NO.	PART NO	PAGE	REF NO.
10001709	4	30	11429107	96	29	22526206	100	80·81
10006005	8	74	11429305	92	2	22526578	98	30~34
10006005	106	26	11434206	90	20	22526677	98	30~34
10008753	16	25	11846805	40	3	22528509	8	77
10025906	50	1	13705603	60	42	22528509	106	17
10025906	86	16	13747308	4	32	22528764	2	6
10025906	98	28	14101208	86	18	22528764	106	4
10026508	100	70	17845009	80	29	22529002	6	65
10027100	32	40·68	19800903	100	71	22529101	6	66
10027308	28	38	19801000	100	72	22529200	6	67
10033009	98	51	19801109	100	74	22529473	14	92
10033009	100	51	19801208	100	75	22529481	14	91
10033108	98	53	19801307	100	73	22535801	98	1
10033108	100	53	19801406	100	76	22535900	98	3
10055051	22	11	19801505	100	77	22536403	98	4
10056109	90	10	19801604	100	78	22536502	86	17
10061554	102	88	22502108	6	51	22536502	98	5
10064004	102	87	22502504	12	76·77	22547806	90	22
10126803	66	57	22502702	12	78	22552905	60	43
10162600	70	4	22503353	100	45	22554505	46	9
10208601	68	4	22503908	10	27	22554802	46	12
10208700	68	11	22503908	86	22	22554901	46	13
10208858	68	8	22503908	98	29	22555304	46	14
11001609	10	11	22504104	14	82	22555551	46	15
11015906	42	20	22505705	16	17	22555858	46	16
11033008	12	53	22506208	16	16	22556054	98	11
11040854	46	6	22507404	16	39	22556153	98	20
11043601	14	84	22507701	16	38	22556302	98	12
11045408	104	10	22507701	100	44	22556450	98	13
11047107	70	3	22508006	16	37	22556609	98	14
11050705	40	5	22519706	100	69	22556708	98	15
11071909	34	20·33	22524201	100	79	22556807	98	16
11072402	14	95	22524805	100	80·81	22556906	46	17
11093606	14	94	22525059	98	30~34	22557458	46	18
11162104	98	10·21	22525257	98	30~34	22557557	46	21
11214806	50	9·22	22525406	98	24	22557706	46	22
11302700	34	22	22525455	98	23	22557805	46	23
11314408	52	13	22525752	98	30~34	22557904	46	24
11422706	96	30	22525877	42	14	22558001	46	27
11425451	96	32	22525919	98	49	22558100	46	28
11425907	96	2	22525919	100	49	22558159	46	26
11427705	92	10	22525968	98	35	22558209	46	25
11428505	92	6	22526008	98	54	22558308	46	19
11428802	92	34	22526008	100	54	22558407	46	20
11429008	92	5	22526206	98	80·81	22561708	68	14

# NUMERICAL INDEX OF PARTS

PART NO	PAGE	REF NO.	PART NO	PAGE	REF NO.	PART NO	PAGE	REF NO.
22561757	68	1	22931307	72	11	23503006	100	60-61
22561807	68	3	22931406	72	8	23503154	22	14
22561856	68	2	22932404	70	6	23503162	22	15
22561906	68	9	22932453	70	5	23503303	100	82
22561955	68	7	22932800	86	5	23503402	42	16
22562102	68	16	22933204	86	3	23503501	98	50
22562201	68	20	22934202	70	32	23503501	100	50
22580369	24	42	22934251	70	30	23503659	100	56-57
22580864	22	13	22934301	70	33	23503709	100	58
22581508	28	24	22934400	70	34	23503808	100	59
22582407	10	7	22934509	70	35	23503907	100	60-61
22584965	22	12	22934608	70	36	23504004	100	62
22586705	98	2	22940654	28	35	23504103	100	63
22587174	86	1	22944508	70	26	23504301	100	64
22591564	102	86	22949002	46	7	23504400	100	65
22596704	42	15	22949101	46	8	23504657	100	66
22596704	86	2	22952501	34	21	23522550	100	46
22890008	42	40	22952501	40	17	23523004	100	47
22901805	10	8	22955504	68	23	23523152	100	48
22907406	24	38-43	22955900	68	18	23523202	100	52
22907604	22	10	22955900	96	13	23526205	2	2
22907703	22	20	22956007	68	19	23526403	2	4
22907802	22	9	22956007	96	14	23526601	10	2
22910509	26	14	22956106	96	6	23526809	10	4
22913107	50	5	22956205	68	21	23527203	10	5
22913206	50	3	22956205	96	10	23527401	6	52
22916506	42	21	22956304	68	22	23527906	16	1
22919203	48	53	22956304	96	11	23528102	16	4
22920409	4	33	22956809	96	26	23528201	16	10
22921407	8	78	22956908	96	9	23528250	16	5
22921407	106	18	22957104	68	28	23528359	16	6
22926000	86	12	22957104	96	16	23528458	16	7
22926208	86	9	22957203	68	26	23528607	14	89
22926356	86	10	22957203	96	28	23528706	16	34
22926505	86	11	22958003	86	8	23528755	16	33
22930309	72	14	22958052	86	7	23529100	18	52
22930358	72	1	22958300	12	76-77	23529159	18	51
22930408	72	10	22958458	84	4	23529209	18	53
22930507	72	9	23500978	2	1	23529308	18	54
22930705	72	7	23501356	50	8	23529407	18	56
22930804	72	5	23501604	50	11	23529506	18	55
22930903	72	4	23501703	50	10	23530702	20	15
22931000	72	3	23501802	50	4	23530801	20	16
22931109	72	2	23501901	50	2	23531007	20	17
22931208	72	15	23502958	100	56-57	23531114	18	60



# NUMERICAL INDEX OF PARTS

PART NO	PAGE	REF NO.	PART NO	PAGE	REF NO.	PART NO	PAGE	REF NO.
23531304	22	1	23537814	8	81	23557051	88	16
23531403	22	2	23538309	8	75	23557101	88	15
23531502	22	3	23538309	106	27	23557259	88	9
23532005	32	71	23538457	54	1	23558000	88	12
23532203	26	10	23538606	54	3	23558109	88	6
23532401	26	9	23538903	42	6~ 11·39	23558208	88	11
23532500	26	1	23539315	64	3	23558406	50	20
23532609	26	5	23539372	64	2	23558406	88	13
23532708	26	19	23539414	64	4	23559909	50	9·22
23532807	26	6	23539513	66	52	23600604	4	26
23532906	26	3	23539562	66	51	23601305	4	28
23533003	26	4	23539703	64	21	23604200	16	15
23533409	34	3	23539901	12	62	23604804	16	9
23533607	34	19	23540008	64	14	23605009	16	8
23533706	34	1	23540057	64	13	23605207	16	22
23533805	34	2	23540107	64	22	23609001	22	6
23533904	34	4	23540107	64	22	23609209	22	5
23534019	34	6	23540305	64	11	23612609	28	27
23534209	34	11	23541303	12	65	23612807	28	28
23534258	34	10	23541303	36	33	23612906	28	29
23534308	34	9	23541352	12	64	23613102	28	30
23534407	34	8·32	23541352	36	32	23613607	34	13
23534506	34	30	23541451	12	70	23613607	40	18
23534902	100	68	23541451	36	38	23613706	34	14
23534951	100	67	23541709	44	17	23613805	34	15
23535107	42	1	23541808	46	5	23613805	40	20
23535255	88	18	23542053	46	2	23613953	34	16
23535602	42	3	23542103	46	3	23613953	40	21
23536055	44	3	23542202	46	4	23616709	28	33
23536105	44	4	23542301	46	10	23626005	8	82
23536253	44	5	23542418	46	36	23626005	106	22
23536303	42	6~ 11·39	23542509	52	1	23628357	64	17
23536402	42	6~ 11·39	23542707	52	6	23628704	64	18
23536501	42	6~ 11·39	23544901	18	46	23628803	42	41
23536600	42	6~ 11·39	23545007	34	8·32	23628902	42	33
23536709	42	6~ 11·39	23545106	50	18	23629009	42	34
23536808	42	6~ 11·39	23545304	32	66	23629108	12	61
23537665	8	79	23545403	50	7	23629306	64	56
23537665	106	19	23547557	8	76	23629306	66	56
23537756	8	80	23547557	106	16	23629405	64	60
23537756	106	20	23556004	88	2	23629405	66	60
			23556053	88	1	23629801	64	38
			23556103	88	5	23629900	4	29
			23556202	88	4	23630007	64	67
			23556301	88	3	23630007	66	67

# NUMERICAL INDEX OF PARTS

PART NO	PAGE	REF NO.	PART NO	PAGE	REF NO.	PART NO	PAGE	REF NO.
23630106	64	59	26300103	10	9	40003567	42	5
23630106	66	59	26300509	28	32	40003570	56	2
23630452	66	58	26302000	34	20·33	40003570	58	19
23630601	66	62	26302901	22	18	40003570	60	28
23630650	66	61	26303107	32	69	40003571	60	26
23631708	58	24	26303206	32	23·67·72	40003572	60	1
23631708	60	33	26305102	6	45	40003573	58	18
23631807	58	25	26305300	6	54	40003573	60	27
23631807	60	34	26305409	6	46	40003574	58	1
23631906	58	26	26307850	22	8	40003574	60	2
23631906	60	35	26308007	22	7	40003575	56	4
23632102	58	27	26312504	14	81	40003575	58	21
23632102	60	36	26314757	10	10	40003575	60	30
23638109	12	66	26910059	72	21	40003576	58	20
23638109	36	34	29342409	86	14	40003576	60	29
23638208	12	67	40000046	76	2·3	40003577	58	3
23638208	36	35	40000056	76	2·3	40003577	60	4
23638307	12	68	40000343	64	24	40003578	56	5
23638307	36	36	40000344	64	9	40003578	58	22
23638406	12	69	40003451	76	15	40003578	60	31
23638406	36	37	40003528	96	20	40003579	58	6
23639107	70	9	40003529	96	7	40003579	60	7
23639206	70	12	40003530	96	31	40003580	58	7
23639305	70	13	40003534	96	1	40003580	60	8
23639404	70	14	40003536	92	3	40003581	58	23
23639503	70	15	40003537	92	4	40003581	60	32
23639602	70	16	40003538	92	9	40003582	56	1
23639701	86	4	40003539	96	24	40003583	56	3
23640006	86	15	40003540	96	27	40003586	2	3
26025106	10	25	40003542	90	1	40003588	6	55
26230409	10	14	40003543	90	14	40003590	42	2
26234005	86	13	40003544	90	3	40003598	42	13
26260109	10	29	40003545	90	15	40003599	42	12
26260208	10	30	40003546	90	6	40003601	22	4
26260307	10	31	40003547	90	5	40003603	70	1
26260406	10	32	40003549	90	13	40003604	70	2
26260505	10	33	40003550	90	16	40003605	70	24
26260604	10	34	40003551	90	18	40003606	70	8
26260802	10	36	40003552	90	17	40003607	70	25
26261008	10	38	40003553	90	19	40003609	88	7
26261206	10	40	40003554	90	21	40003610	88	8
26261305	10	41	40003560	92	23	40003618	18	66
26261503	10	42	40003562	92	11	40003623	2	7~25
26261602	10	43	40003564	92	30	40003624	2	7~25
26261701	10	44	40003565	92	12	40003625	2	7~25

# NUMERICAL INDEX OF PARTS

PART NO	PAGE	REF NO.	PART NO	PAGE	REF NO.	PART NO	PAGE	REF NO.
40003626	2	7~25	40010264	88	14	40011836	36	18
40003627	4	7~25	40010268	26	12	40011837	36	29
40003633	6	71·72	40010269	26	13	40011838	36	28
40003634	6	71·72	40010270	26	16	40011839	36	7
40003651	60	44	40010271	26	17	40011840	36	19
40003651	62	44	40010272	34	5·31	40011841	36	46
40003653	68	15	40010273	34	5·31	40011842	38	47
40005390	84	1·19	40010276	28	23·67·72	40011843	36	15
40005404	78	40	40010278	20	3	40011844	40	8
40005848	74	19	40010280	52	18	40011846	40	10
40005951	76	1·35	40010281	16	36	40011847	40	1
40005975	80	21·22·33	40010282	42	29	40011848	40	2
40005976	80	21·22·33	40010283	42	4	40011849	40	6
40005977	80	21·22·33	40010286	20	4~7	40011850	32	23·67·72
40005979	76	4	40010286	36	24~27	40012697	76	5~8
40005980	80	2	40010287	20	4~7	40012698	76	5~8
40005981	80	4	40010287	36	24~27	40013595	64	26
40005985	76	33	40010288	20	4~7	40013864	78	44
40005986	76	34	40010288	36	24~27	40013881	78	43
40005987	76	32	40010289	20	4~7	40014837	10	37
40005988	84	17	40010289	36	24~27	40015494	16	27
40005990	80	23·24	40010290	46	1	40015544	78	38
40005991	80	25	40010295	46	11	40015548	76	9
40005992	80	23·24	40010296	18	62	40016039	40	14
40006000	76	5~8	40010297	18	61	40016408	102	92
40006001	76	5~8	40010298	20	31	40016451	76	1·35
40006002	80	39	40010303	44	6	40017095	100	84
40006003	78	37	40010307	52	2	40017098	36	43
40006010	84	3	40010311	26	2	40017100	4	7~25
40006012	12	79·80	40010312	32	65	40017101	4	7~25
40006013	14	79·80	40010313	26	11	40017102	4	7~25
40006021	80	1	40010314	44	2	40017103	4	7~25
40006323	86	21	40010315	18	59	40018430	32	73
40008118	20	14	40010316	44	1	40020454	14	88
40008119	20	11~13	40010318	26	7	40021933	10	39
40008120	20	11~13	40010321	54	2	40022407	6	63
40008121	20	11~13	40010322	18	67	40022407	36	16
40008168	74	29	40010324	16	2	40022407	64	46
40008168	100	83	40011123	2	5	40023431	104	1
40008169	20	8	40011144	10	35	40023432	104	2
40008596	52	3	40011345	10	1	40023433	104	7
40009305	36	3	40011424	42	42	40023434	104	8
40010261	42	30	40011831	36	1	40023435	104	9
40010262	42	31	40011832	36	2	40024479	74	25·26
40010264	50	19	40011833	36	23	40024644	12	54

# NUMERICAL INDEX OF PARTS

PART NO	PAGE	REF NO.	PART NO	PAGE	REF NO.	PART NO	PAGE	REF NO.
40025762	106	2	40108064	52	5	B1525582000	90	23
40025763	106	3	40108879	74	3	B1551586000	98	6
40025764	106	5	40108880	74	4	B16085550A0	28	40·68
40025765	106	9	40109555	74	11	B1653470000	30	46
40025766	106	10	40113427	84	2	B2508704000	44	21
40025767	106	8	40115767	74	25·26	B3121352000	8	83·84
40025768	106	7	40116677	14	85	B3129012A00	8	83·84
40025769	106	14	40119704	74	23	B3129012A00	106	23
40025913	106	15	40120730	42	28	B3214047000	14	93
40025915	106	21	40122922	74	1·2	B3416552000	22	25
40025920	106	1	40122923	74	1·2	B3416555000	22	26
40025923	106	28	40123001	74	21	B3431581000	22	27
40026835	10	28	40125469	22	16	B3508220000	36	44
40026836	14	87	40125483	32	70	B3518280000	66	53
40028014	16	18	40125485	28	34	B3536122000	64	16
40028294	10	24	40139216	28	26	B4122804000	104	16
40028463	10	3	40149234	20	2	B9101490000	98	22
40035589	14	83	40149235	20	1	B9102057000	86	6
40037008	12	56	40149236	20	33	B91210120A0	86	20
40050457	28	39	40149239	64	41	BP600000000	48	54
40050598	64	42	40149240	64	45	BT0400251EB	92	38
40055293	74	27·28	40149244	28	20	BT0400251EB	104	11
40055295	74	27·28	40149245	28	21	BT0600401EB	92	43
40056873	16	42	40149246	26	8	BT0800501EB	92	44
40070531	22	17	40149251	44	7~10	BT1601001Z0	92	46
40070532	16	41	40149252	44	7~10	BT1601001Z0	94	46
40091888	102	93	40149253	44	7~10	CM200100001	80	34·36
40099885	106	6	40149254	44	7~10	CM300100003	76	10~12
40105188	74	20	40154492	76	17	CM300100003	80	26·27
40105707	74	15	40154493	78	39	CM300100401	76	10~12
40105708	74	5	40160261	16	3	CM300100401	80	26·27
40105713	74	18	40160262	44	20	CM300200001	4	35
40105714	74	13	40175861	64	1	CM300200001	10	13
40105715	74	7	40176805	66	64	CM300200003	12	75
40105716	74	14	B1114280000	40	7	CM300300003	38	48
40105717	74	10	B1155771000	92	28	CM300300003	52	12
40105720	74	8	B13071550A0	42	18	CM300400601	76	10~12
40106354	74	6	B1308155000	42	17	CM301300001	10	16
40106576	72	24	B1401380000	106	13	CM500100003	74	24
40106579	72	25	B150522700A	98	10·21	CM600100101	14	97
40106580	72	23	B1505227T00A	24	38·43	CQ202000000	18	70
40106583	72	22	B1516552000	22	21	CQ220000000	66	55
40106937	68	17	B1517552000	22	22	CS1000881TP	30	62
40106937	96	15	B1521555000	22	23	CS1000881TP	44	18
40108063	52	4	B1523226000	22	24	CS1470710SH	30	47

# NUMERICAL INDEX OF PARTS

PART NO	PAGE	REF NO.	PART NO	PAGE	REF NO.	PART NO	PAGE	REF NO.
D1501583H00	98	8	HX002890000	92	36	MAM097000A0	102	91
D1502583H00	98	9	HX00337000B	76	19	MAM09700BA0	102	89
D2056772B0B	46	35	HX003390000	78	46	MAO11532000	84	15
D2107490D00	68	10	HX004070000	80	28	MAO91003000	68	32
D2112555B00	6	61	HX00410000A	80	35	MC192300752	86	23·24
D2468555B00	52	7	HX005100000	84	16	MC2005F0700	18	44·45
D8204555D00	94	47	HX005110000	78	36	MDFRX1200C0	86	19
E9567319000	80	34·36	HX005110000	82	41	MDP500B1000	18	44·45
EA9500B0100	6	41	HX005750000	102	85	MDP500B1002	86	23·24
EA9500B0100	12	72	HX005940000	78	47	MTSHJ100003	84	7
EA9500B0100	16	20	KM000000350	20	18	NM3040520SF	76	29
EA9500B0100	20	9	KM000000350	36	11	NM6030001SB	46	39
EA9500B0100	36	40	M2010110000	80	11	NM6030001SC	60	45
EA9500B0100	40	12	M3801476000	76	16	NM6030001SC	62	45
EA9500B0100	56	7	M4001461000	80	7	NM6030001SC	92	22
EA9500B0100	58	31	M4002461000	80	8	NM6040000SN	36	14
EA9500B0100	60	40	M4004461000	80	9	NM6040001SN	20	29
EA9500B0100	66	66	M4005461000	80	10	NM6040001SN	60	46
EA9500B0100	80	6	M4006461000	80	5	NM6040001SN	62	46
EA9500B0100	104	18	M4007351000	80	12	NM6040002SE	72	30
EA9500B0200	12	60	M4008351000A	80	13	NM6050001SE	72	17
F10120030A0	92	27	M4009351000A	80	14	NM6060001SC	18	69
G1615880000	44	22	M4011351000	80	16	NM6060001SE	70	11
GAK33041000	22	28	M4012351000	80	17	NM6080001SC	76	25
GPR01015000	4	36	M4206461000	76	23	NM6080002SC	84	8
HA00600000A	68	25	M6095350CAA	2	7~25	NM6160511SE	72	18
HA00600000A	96	17	M6095350CAF	2	7~25	NP210300000	46	33
HD001530000	40	13	M6096350CAF	2	7~25	NS6090310SP	36	4
HF001301000	84	5	M6096350CAL	2	7~25	NS6090310SP	96	5
HF0078020P0	84	6	M6097350CAA	2	7~25	NS6110310SP	14	96
HK034610060	12	71	M6098350CAA	4	7~25	NS6110310SP	68	33
HK034610060	36	39	M6098350CAF	4	7~25	NS6110310SP	96	12
HK034610120	56	8	M6099350CAF	4	7~25	NS6110350SP	52	14
HK034610120	58	32	M6099350CAL	4	7~25	NS6120310SP	30	48
HK034610120	60	41	M6100350CAA	2	7~25	NS6150310SP	28	31
HK03464000B	52	11	M68014710A0	16	19	NS6150310SP	34	18
HK03464000B	96	23	M8002430000	64	34	NS6150310SP	46	37
HM000480010	76	18	M8523476AA0	20	19	NS6150310SP	70	17
HM000860010	70	27	M8523476AA0	36	8	NS6150430SP	46	38
HW200390000	96	18	M8524476AA0	10	6	NS6620310SP	22	29
HW5F18S1228	96	19	M90175800A0	84	20	NS6680410SP	30	49
HX00147000C	78	45	M90245800A0	84	1·19	PF0152030A0	92	24
HX00188000D	80	38	M90345800A0	84	18	PF0551060A0	104	4
HX00222000A	82	40	M90355800A0	84	21	PF902005000	92	25
HX00222000B	76	13	MA011532000	104	17	PF902005000	104	5

NUMERICAL INDEX OF PARTS

PART NO	PAGE	REF NO.	PART NO	PAGE	REF NO.	PART NO	PAGE	REF NO.
PJ025100002	92	20	RO098240100	66	49	SL4040891SC	76	49
PJ025100003	104	6	RO133170100	6	38	SL4040891SC	78	49
PJ032526001	92	1	RO133170100	106	25	SL4040891SC	80	37
PJ301060503	92	17	RO172180100	42	36	SL4041091SE	80	31
PJ301080001	92	35	RO195240100	64	28	SL4041681SF	80	20
PJ301085201	92	15	SB108001900	16	35	SL4042091SC	80	30
PJ304065201	92	16	SB1200008C0	16	21	SL4044091SE	76	30
PJ308080001	92	26	SB1200013C0	16	14	SL4051091SC	10	26
PJ308085202	92	45	SB3100010C0	44	12	SL4051091SC	66	50
PJ309040501	92	8	SB3220002CA	30	41~45	SL4850891SC	92	19
PS0300122KH	34	7	SB3220002CB	30	41~45	SL6051092TN	40	11
PS0300182KF	60	48	SB3220002CC	30	41~45	SL6052092TN	16	40
PS0300182KF	62	48	SB3220002CD	30	41~45	SL6052092TN	64	12
PS0400222K0	18	57	SB3220002CE	30	41~45	SL6052592TN	4	27
PS0800202KH	6	39	SD0500481TP	68	27	SL6052592TN	16	24
PV015122000	104	3	SD0600271SP	68	34	SL6083092TN	76	20
PV130539000	92	14	SD0600291TP	46	44	SM0051001SC	12	58
PV135207000	92	13	SD0600321SP	30	52	SM0081001SD	64	43
PX050501000	92	18	SD0600341TP	24	33	SM1044050SM	70	28
PX950009000	92	40	SD0600452TP	52	15	SM4021201SC	12	73
RC0150001KP	28	25	SD0630275SP	24	34	SM4021201SC	36	41
RC0330415KP	50	14	SD0630301SP	24	35	SM4030401SN	74	12
RC0560711KP	10	45	SD0630371SP	24	36	SM4030501SN	14	90
RE0250000K0	96	8	SD0640751SP	6	40	SM4030655SP	20	22
RE0300000K0	30	50	SD0650321TP	68	30	SM4030801SF	80	18
RE0300000K0	50	23	SD0650321TP	96	4	SM4040601SC	46	46
RE0320000K0	68	6	SD0720331SP	70	20	SM4040601SC	70	29
RE0400000K0	12	46	SD0791503SP	46	45	SM4040655SP	12	52
RE0400000K0	46	40	SD0900701TP	30	53	SM4041201SC	72	28
RE0500000K0	22	30	SD0951501SP	52	16	SM4042501SC	72	29
RE0500000K0	30	51	SK3412000SC	92	33	SM4051255SP	20	23
RE0500000K0	46	41	SK3412001SE	104	13	SM4051405SE	72	12
RE0600000K0	22	31	SK3512001SE	84	14	SM4051655SP	36	22
RE0600000K0	46	43	SL4030581SC	36	20	SM4860801SN	20	24
RE1000000K0	70	19	SL4030631SC	68	24	SM4860801SN	36	9
RE1200000K0	52	8	SL4030631SC	96	3	SM5040655SN	12	48
RO036080200	42	22	SL4030641SE	68	31	SM6030602TP	98	25
RO037180100	18	63	SL4030641SE	96	22	SM6041002TP	20	25
RO037180100	24	32	SL4030891SC	92	21	SM6041402TP	20	32
RO037180100	64	6	SL4033091SC	78	42	SM6041602TP	36	13
RO048190100	42	23	SL4040881SC	16	23	SM6042502TP	36	12
RO048190100	64	23	SL4040881SC	76	48	SM6061002TP	20	34
RO068190100	42	35	SL4040881SC	78	48	SM6061610SC	72	6
RO080150200	6	37	SL4040881SC	80	19	SM6084002TN	84	11
RO098240100	64	49	SL4040891SC	36	17	SM8040802TP	12	50

NUMERICAL INDEX OF PARTS

PART NO	PAGE	REF NO.	PART NO	PAGE	REF NO.	PART NO	PAGE	REF NO.
SM8040802TP	80	3	SS4110915SP	48	49	SS7090410SP	12	51
SM8050502TP	12	49	SS4111215SP	104	14	SS7090610SP	46	51
SM8050612TP	20	27	SS4111415SP	64	33	SS7090610SP	48	51
SM8050612TP	36	30	SS4120615SP	6	47	SS7090710SP	98	19
SM8050612TP	40	9	SS4120615SP	10	63	SS7090910SP	98	7
SM8050612TP	50	15	SS4120615SP	12	63	SS7090910TP	16	43
SM80506A2TP	32	63	SS4120615SP	36	45	SS7090910TP	24	37
SM80506A2TP	44	23	SS4120615SP	58	34	SS7091110TP	28	22
SM8060612TP	40	4	SS4120615SP	64	7	SS7110740TP	20	26
SM8060812TP	16	31	SS4120615SP	68	35	SS7110740TP	30	55
SM8060812TP	34	23	SS4120915SP	6	48	SS7110740TP	50	6
SM8060812TP	40	19	SS4120915SP	10	74	SS7110740TP	52	9
SM8060812TP	44	16	SS4120915SP	12	74	SS7110740TP	58	30
SM8061212TP	18	65	SS4120915SP	88	10	SS7110740TP	60	39
SM8063012TR	70	10	SS4121015SP	6	49	SS7110840SP	92	31
SM9041050SC	78	50	SS4121015SP	60	47	SS7110910TP	30	60
SM9061203SE	70	31	SS4121015SP	62	47	SS7111110TP	22	19
SM9061853SR	70	22	SS4121215SP	20	35	SS7111810TP	36	31
SM9062053SR	70	7	SS4121615SP	64	31	SS7121410TP	20	21
SS1090510SP	46	30	SS4150915SP	6	50	SS7121410TP	26	36
SS1090510SP	98	17	SS4150915SP	30	57	SS7121410TP	28	36
SS1090930SP	16	26	SS4150915SP	48	50	SS7121410TP	34	26
SS1110710SP	6	42	SS4150915SP	52	17	SS7121410TP	50	21
SS1110710SP	34	28	SS4151215SP	36	42	SS7681650TP	16	29
SS1110840SP	14	86	SS5110710SP	102	90	SS8080310TP	96	21
SS2090710TP	6	43	SS6060210SP	10	12	SS8080410TP	106	12
SS2090810SP	10	18	SS6090420SP	98	18	SS8090670SP	6	73
SS2110920TP	48	47	SS6090540SP	6	69	SS8090670SP	20	30
SS2111010TP	48	48	SS6090540SP	96	25	SS8090670SP	106	24
SS3090520SP	68	13	SS6090810SP	90	24	SS8110410TP	88	17
SS4060310SP	106	11	SS6110650TP	54	4	SS8110422TP	54	6
SS4080620TP	30	54	SS6110820TP	50	13	SS8110422TP	98	55
SS4110515SP	56	6	SS6121610SP	34	17	SS8110422TP	100	55
SS4110515SP	58	29	SS6121610SP	40	22	SS8110510SP	88	19
SS4110515SP	60	38	SS6121840SP	34	24	SS8110520TP	42	25
SS4110615SP	20	20	SS6121860SP	34	27	SS8110520TP	98	43·43
SS4110615SP	30	58	SS6121860SP	40	16	SS8110750SP	4	34
SS4110615SP	64	32	SS6580752TP	6	70	SS8110750SP	44	14
SS4110715SP	92	32	SS6580752TP	30	59	SS8111251SP	12	59
SS4110715SP	104	12	SS6620730SP	106	29	SS8111251SP	42	37
SS4110815SP	64	30	SS6660710TP	44	19	SS8120740SP	18	58
SS4110915SP	6	68	SS7060310SP	18	48	SS8150510TP	24	39
SS4110915SP	18	50	SS7060310SP	46	32	SS8151230SP	18	64
SS4110915SP	30	61	SS7080410SP	6	53	SS8151230SP	54	5
SS4110915SP	42	24	SS7080520SP	18	47	SS8152030SP	24	40

## NUMERICAL INDEX OF PARTS

PART NO	PAGE	REF NO.	PART NO	PAGE	REF NO.
SS8660610TP	16	32	WS0270002KN	46	34
SS8660612TP	26	18	WS0310702KS	98	26
SS8660810TP	32	64	WS0410002KN	76	21
SS8660810TP	42	27	WS0510002KN	72	16
SS8660810TP	44	15	WS0820002KR	84	12
SS8680730SP	16	30	WS1643202KR	72	20
ST4030851SN	74	17	WZ0641510KP	6	62
ST4040821SS	12	55			
SV4030601SR	80	15			
SV4031001SN	74	22			
SV4032001SN	74	16			
TA0180401M0	42	32			
TA0750404R0	66	65			
TA0800504R0	6	56			
TA0850604R0	42	38			
TA0850604R0	64	44			
TA0950806R0	58	33			
TA1250406R0	6	58			
TA1250406R0	40	15			
TA1250705R0	4	31			
WP0320500SC	98	27			
WP03305000E	6	64			
WP0371016SD	68	12			
WP0430801SC	76	22			
WP0450801SD	104	15			
WP0450826SC	12	47			
WP0460556SD	36	5			
WP0460556SD	64	10			
WP0480856SD	28	37			
WP0480856SP	50	16			
WP0482016SZ	20	28			
WP0500916SD	50	17			
WP0501016SD	6	59			
WP0520656SA	20	10			
WP0621016SH	48	52			
WP0650876SD	70	23			
WP0651056SD	6	60			
WP0720516SD	18	68			
WP0740516SP	24	41			
WP0841601SC	76	24			
WP0841601SC	84	13			
WP0852086SC	84	9			
WP1651616SD	34	29			
WP1702600S0	72	19			
WP1703001SC	52	10			