

MODEL : MO-6000/LB-3, LB-4

List No : 1367-00

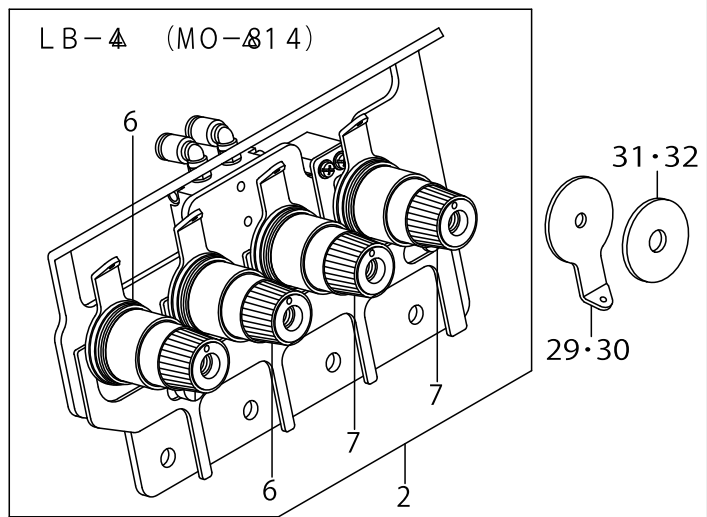
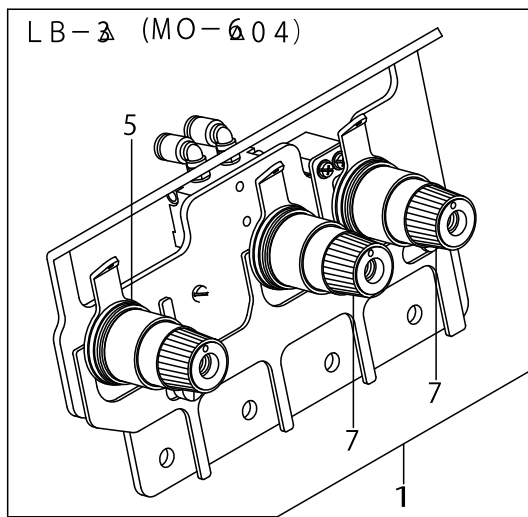
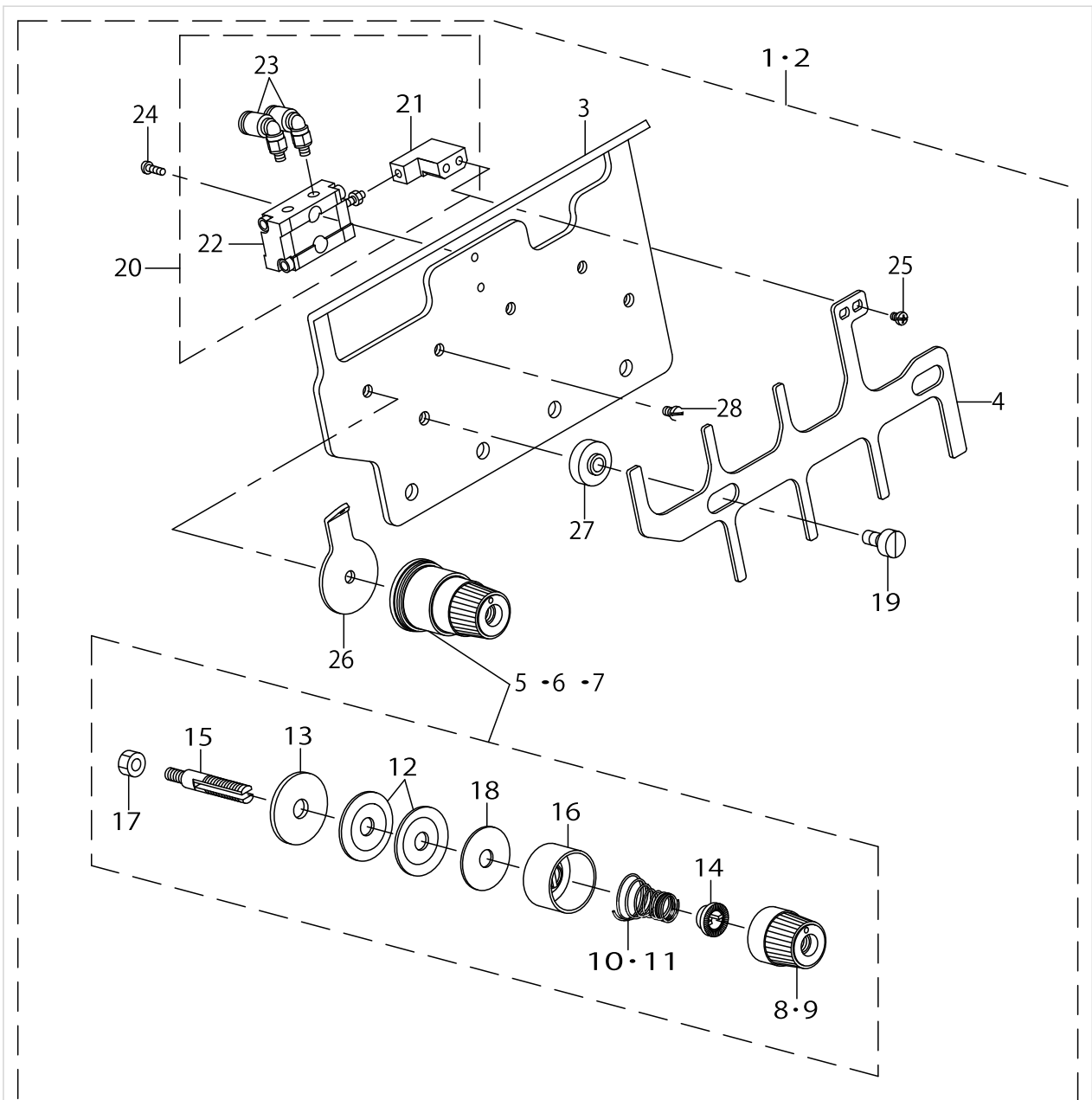
PARTS LIST

Published:05/12/2017

CONTENTS

SEMI-AUTOMATIC CHAIN-OFF THREAD ROLL-IN DEVICE (1).....	1
SEMI-AUTOMATIC CHAIN-OFF THREAD ROLL-IN DEVICE (2).....	3
SEMI-AUTOMATIC CHAIN-OFF THREAD ROLL-IN DEVICE (3).....	7
SEMI-AUTOMATIC CHAIN-OFF THREAD ROLL-IN DEVICE (4).....	11
HOW TO MAKE USE OF THIS PARTS LIST	13

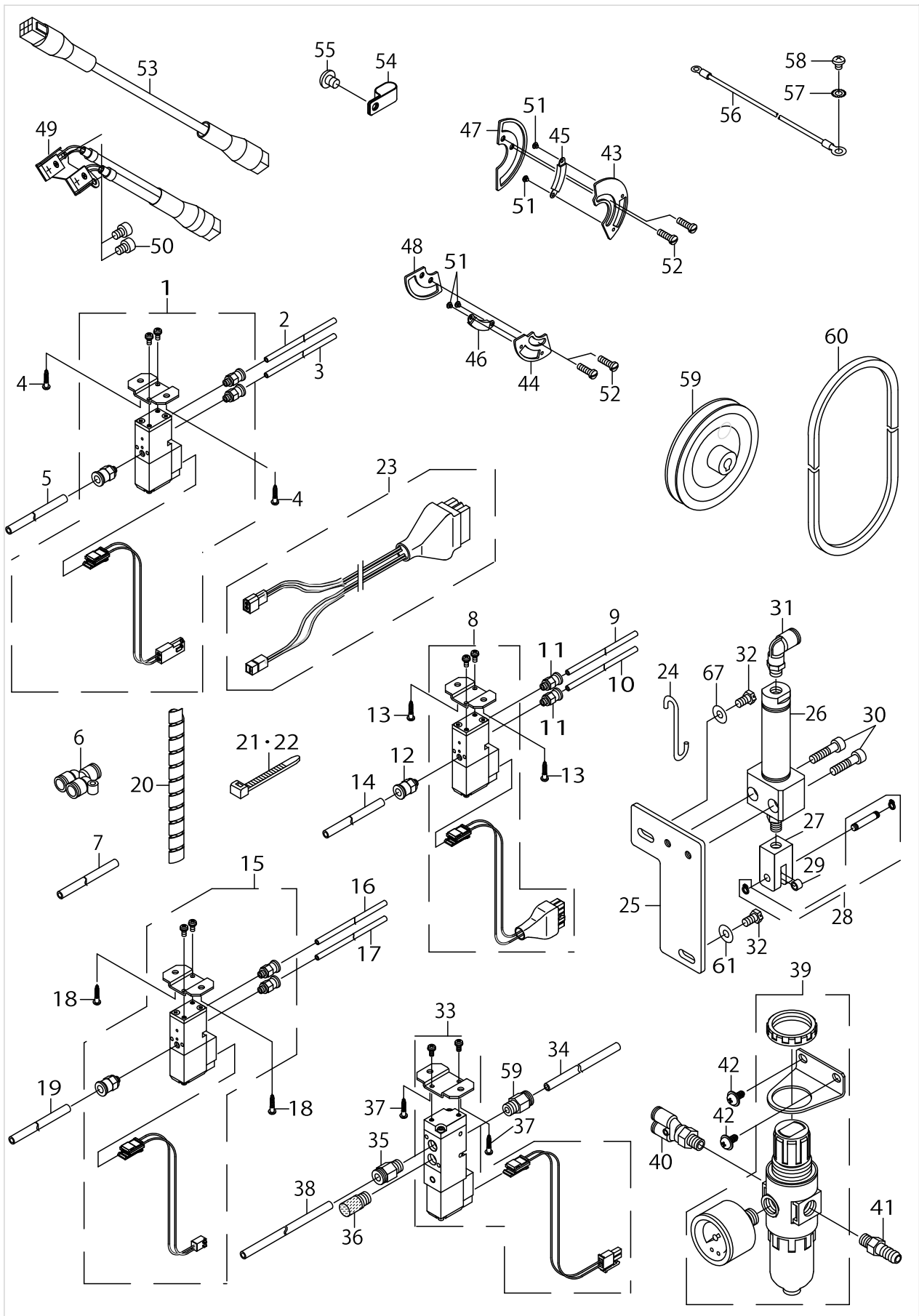
SEMI-AUTOMATIC CHAIN-OFF THREAD ROLL-IN DEVICE (1)



SEMI-AUTOMATIC CHAIN-OFF THREAD ROLL-IN DEVICE (1)

No.	Supply Code	Parts No.	Replacement	Parts name	Remarks	Choice	Step	Level	Cons	Qty	Rep. QTY
1	D	GLB030010A0		THREAD TENSION PLATE ASM.	FOR LB-3△					1	
2		GLB040010A0		THREAD TENSION PLATE ASM.	FOR LB-4△					1	
3		GLB03002000		THREAD TENSION PLATE				*		1	
4		GLB03005000		DISK RISING PLATE				*		1	
5	D	GLB030100A0		THREAD TENSION SPRING COMPL.	FOR LB-3△			*		1	
6	D	GLB030100A0		THREAD TENSION SPRING COMPL.	FOR LB-4△			*		2	
7	D	GLB030080A0		THREAD TENSION SPRING COMPL.				*		2	
8		13138706		THREAD TENSION KNOB, BLUE				*		1	
9		13137708		THREAD TENSION KNOB, RED				*		1	
10		13138805		THREAD TENSION SPRING, BLUE				*		1	
11		13137807		THREAD TENSION SPRING, RED				*		1	
12		13138201		THREAD TENSION DISK				*		2	
13	R	B3120352000	13139902	THREAD TENSION SPRING FELT				*		1	1.00
14		13137906		SPRING BUSHING				*		1	
15	R	13138904	13137559	THREAD TENSION BAR		A	A:	*		1	1.00
15	R	13138904	13138359	THREAD TENSION BAR		B	B:	*		1	1.00
15	R	13138904	13138656	THREAD TENSION BAR		C	C:	*		1	1.00
16		13137609		THREAD TENSION DISK PRESSER				*		1	
17		NS6110420SP		NUT 11/64-40				*		1	
18		13138102		THREAD TENSION SPRING FELT				*		1	
19		SS6120930TP		SCREW 3/16-28 L=9				*		2	
20		GLB030060A0		THREAD RELEASE SYLINDER ASM.				*		1	
21		GLB03006000		THREAD RELEASE SYLINDER ARM				*		1	
22		PA0600509A0		AIR SYLINDER				*		1	
23		PJ304040504		ELBOW UNION				*		2	
24		SM4031001SC		SCREW M3X0.5 L=10				*		2	
25		SM4030655SP		SCREW				*		2	
26	D	GLB03003000		THREAD GUIDE				*		1	
27		GLB03004000		DISK RISING COLLAR				*		2	
28		SS7110710SL		SCREW 11/64-40 L=7.0	FOR LB-3△			*		1	
29	D	GLB03003000		THREAD GUIDE	FOR LB-3△					3	
30	D	GLB03003000		THREAD GUIDE	FOR LB-4△					4	
31	R	B3120352000	13139902	THREAD TENSION SPRING FELT	FOR LB-3△					3	1.00
32	R	B3120352000	13139902	THREAD TENSION SPRING FELT	FOR LB-4△					4	1.00

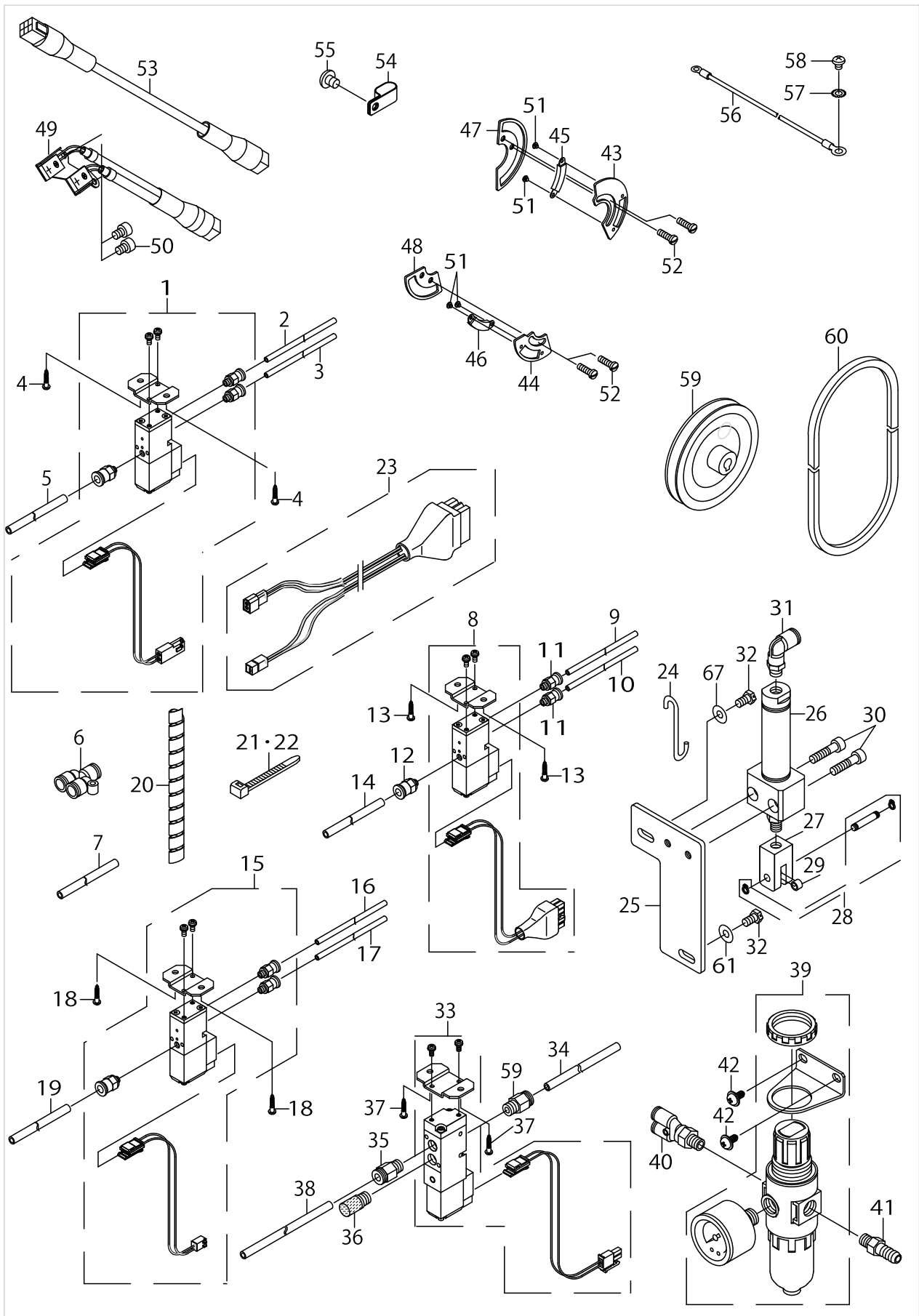
SEMI-AUTOMATIC CHAIN-OFF THREAD ROLL-IN DEVICE (2)



SEMI-AUTOMATIC CHAIN-OFF THREAD ROLL-IN DEVICE (2)

No.	Supply Code	Parts No.	Replacement	Parts name	Remarks	Choice	Step	Level	Cons	Qty	Rep. QTY
1		GLB020160A0		INNER CLICK SOLENOID VALVE	FOR LB-4△					1	
2		BT0400251EB		URETHANE HOSE, BLACK	FOR LB-4△					.7	
3		BT0400251EB		URETHANE HOSE, BLACK	FOR LB-4△					.7	
4		SK3311601SE		WOOD SCREW D=3.1 L=16	FOR LB-4△					2	
5		BT0600401EB		TUBE	FOR LB-4△					.4	
6		PJ308060003		Y UNION	FOR LB-4△					1	
7		BT0600401EB		TUBE	FOR LB-4△					.4	
8	D	MAZ185130AA		THREAD RELEASE SOLENOID VALVE	FOR LB-3△					1	
9		BT0400251EB		URETHANE HOSE, BLACK	FOR LB-3△					1	
10		BT0400251EB		URETHANE HOSE, BLACK	FOR LB-3△					1	
11		PJ301040502		HALF UNION 4XM5	FOR LB-3△					2	
12		PJ301060503		HALF UNION	FOR LB-3△					1	
13		SK3311601SE		WOOD SCREW D=3.1 L=16	FOR LB-3△					2	
14		BT0600401EB		TUBE	FOR LB-3△					.8	
15		GLB020170A0		THREAD RELEASE	FOR LB-4△					1	
16		BT0400251EB		URETHANE HOSE, BLACK	FOR LB-4△					1	
17		BT0400251EB		URETHANE HOSE, BLACK	FOR LB-4△					1	
18		SK3311601SE		WOOD SCREW D=3.1 L=16	FOR LB-4△					2	
19		BT0600401EB		TUBE	FOR LB-4△					.4	
20		G5182120000		SPIRAL TUBE						.5	
21		EA9500B0100		CABLE BAND	FOR LB-3△					4	
22		EA9500B0100		CABLE BAND	FOR LB-4△					5	
23		GLB020180A0		CORD ASM.	FOR LB-4△					1	
24	R	11819414	13116405	LIFTING HOOK	FOR LB-3- D6904R, LB- -4D6914R					1	1.00
25		GBT01083000		CYLINDER PLATE						1	
26		PA2002514A0		AIR CYLINDER						1	
27		GBT01084000		KNUCKLE						1	
28		GBT01085000		KNUCKLE PIN						1	
29		GBT01086000		KNUCKLE ROLLER						1	
30		SM6062502TP		SCREW M6 L=25						2	
31		PJ304065101		ELBOW UNION 6XPT1/8						1	
32		SS9151120CP		SCREW15/64-28L=11						2	
33		MAZ185140AA		PRESSER LIFTING SOLENOID VALVE						1	
34		BT0600401EB		TUBE						1	
35		PJ301065102		QUICK COUPLING						2	
36		PX055104000		SILENCER (PT1/8)						1	
37		SK3311601SE		WOOD SCREW D=3.1 L=16						2	
38		BT0600401EB		TUBE						.8	
39		PF0552040A0		FILTER REGULATOR ASM.						1	
40		PJ308065202		Y-UNION						1	
41		F1021003000		HOSE JOINT						1	
42		GMD01080000		SCREW M5 L=10						1	
43		GSY30002000		BRACKET A						1	
44		GSY30003000		BRACKET B						1	

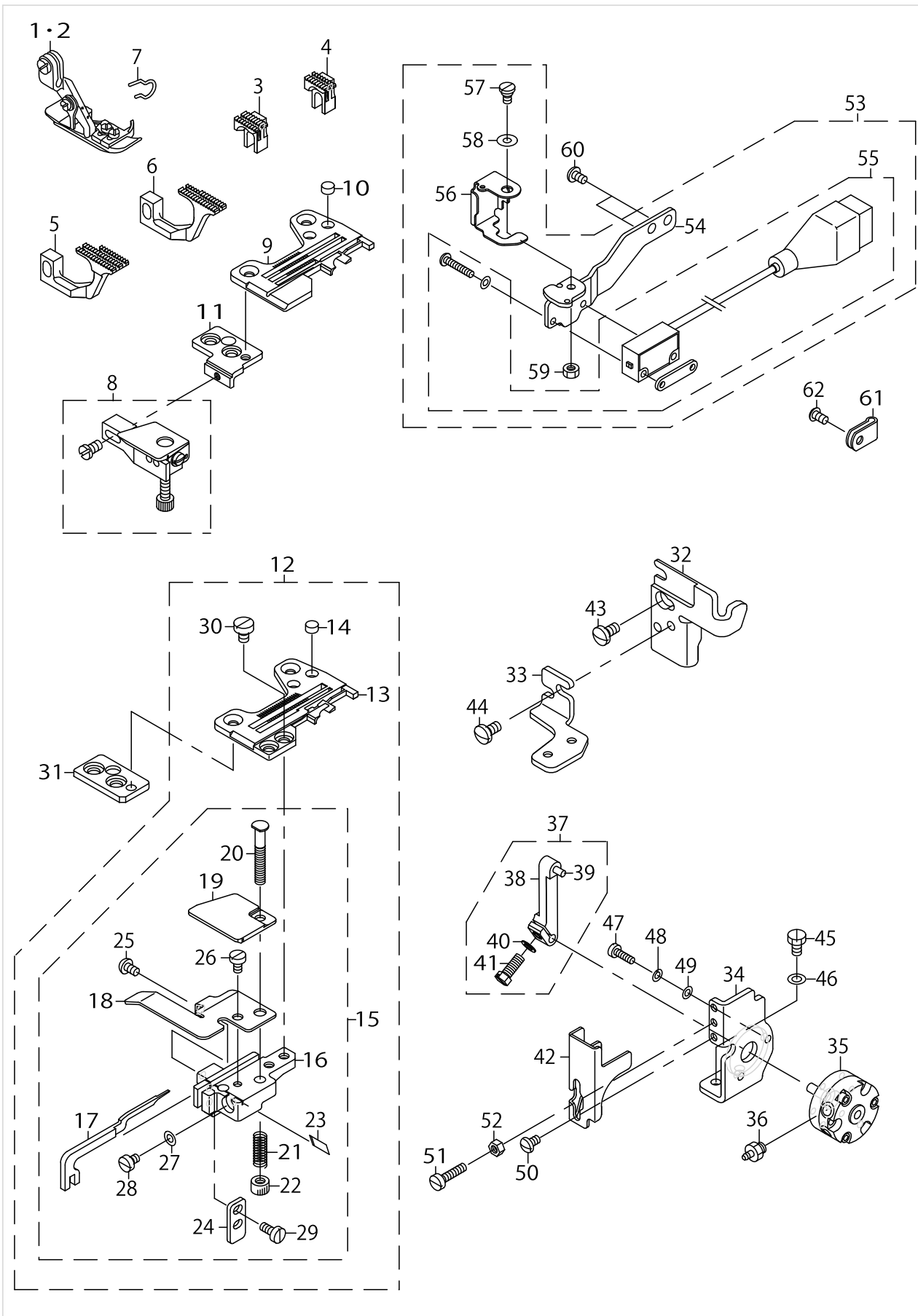
SEMI-AUTOMATIC CHAIN-OFF THREAD ROLL-IN DEVICE (2)



SEMI-AUTOMATIC CHAIN-OFF THREAD ROLL-IN DEVICE (2)

No.	Supply Code	Parts No.	Replacement	Parts name	Remarks	Choice	Step	Level	Cons	Qty	Rep. QTY
45		GSY30004AA0		MAGNET CASE ASM., A						1	
46		GSY30004BA0		MAGNET CASE ASM., B						1	
47		GSY30005000		POSITION PLATE A						1	
48		GSY30006000		POSITION PLATE B						1	
49	R	GSY300100A0	40095387	SYNCHRO SENSER ASM.		A				1	1.00
49	R	GSY300100A0	40095388	SYNCHRO SENSER ASM.		A				1	1.00
49	R	GSY300100A0	40095385	SYNCHRO SENSER ASM.		A				1	1.00
50		SS7090410SP		SCREW 9/64-40 L=3.5						2	
51		SS6060220SP		SCREW 3/32-56 L=2.0						4	
52		SS7111410TP		SCREW 11/64-40 L=14						4	
53		MAZ185160A0		SYNCHRONIZER RE-LAY CORD ASM.						1	
54		D2112555B00		CORD HOLDER, LARGE						1	
55		SS4150715SP		SCREW 15/64-28 L=7						1	
56		M90195800A0		EARTH CABLE ASM.						1	
57		WT0430002KN		WASHER M4						1	
58		SM4040501SN		SCREW M4X0.7 L=5						1	
59	R	MTSP01200A0	MTSP01200B0	MOTOR PULLEY ASM. P.C.D. 120						1	1.00
60		MTJVM003600		V-BELT, 36 INCH						1	
61		WP0611626SP		WASHER 15X6X1.6						2	

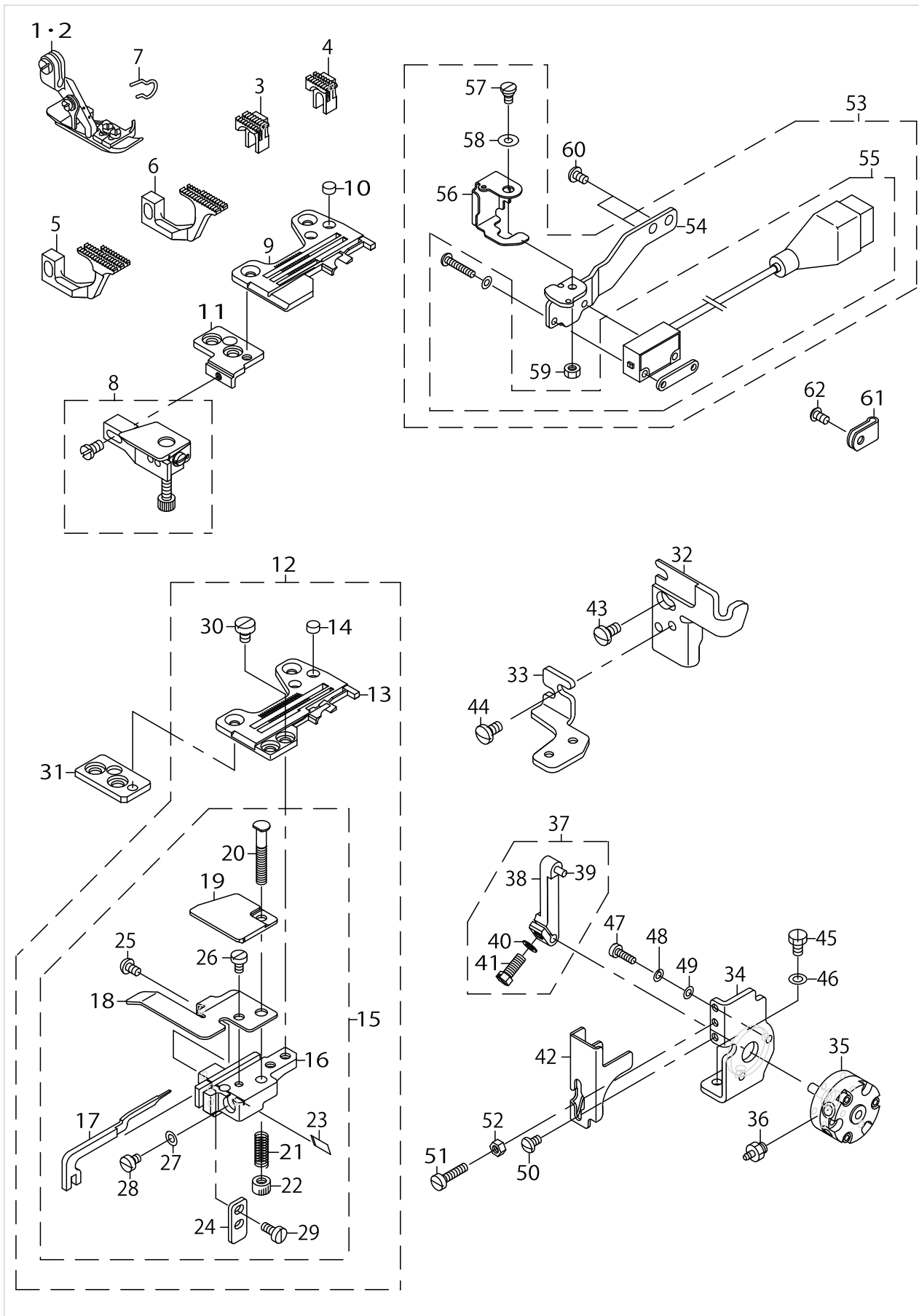
SEMI-AUTOMATIC CHAIN-OFF THREAD ROLL-IN DEVICE (3)



SEMI-AUTOMATIC CHAIN-OFF THREAD ROLL-IN DEVICE (3)

No.	Supply Code	Parts No.	Replacement	Parts name	Remarks	Choice	Step	Level	Cons	Qty	Rep. QTY
1	D	12151650		PRESSER FOOT ASM.	FOR LB-3B6Δ04S					1	
2	R	12151551	12151569	PRESSER FOOT ASM.	FOR LB-4B6Δ14S					1	1.00
3		11882206		MAIN FEED DOG	FOR LB-3Δ					1	
4	R	11882107	13191606	MAIN FEED DOG	FOR LB-4Δ					1	1.00
5		12174801		AUXILIARY FEED DOG	FOR LB-3Δ					1	
6		12175006		AUXILIARY FEED DOG	FOR LB-4Δ					1	
7		13178306		FINGER GUARD	FOR LB-3-B6Δ04S L-B-4B6Δ14S					1	
8		MAZ082000C0		ROLLING IN DEVICE ASM.	FOR LB-3Δ					1	
9		R4300J2EE00		THROAT PLATE	FOR LB-3Δ					1	
10	R	11806304	13102702	PLUG	FOR LB-3Δ					2	1.00
11		MAZ17301000		THROAT PLATE BASE(A)	FOR LB-3Δ					1	
12		GLB020010A0		CHAIN OFF DEVICE A ASM.	FOR LB-4Δ					1	
13		R4205J2ED00		THROAT PLATE				*		1	
14	R	11806304	13102702	PLUG				*		2	1.00
15		GLB020020A0		CHAIN OFF DEVICE ASM.				*		1	
16	R	GLB02002000	GLB020020A0	CHAIN OFF BASE				*		1	1.00
17		GLB02003000		INNER CLICK				*		1	
18		GLB02004000		CHAIN OFF GUIDE PLATE				*		1	
19	D	GLB02005000		CHAIN OFF PRESSER PLATE				*		1	
20		GLB02006000		CHAIN OFF ADJUSTING SHAFT				*		1	
21		B4110522000		SPRING				*		1	
22		MAZ08205000		REAR PRESSER REGULATING KNOB				*		1	
23		MAZ08211000		KNIFE				*		1	
24		GLB02007000		DRIVING STOPPER				*		1	
25		SS4090610SP		SCREW 9/64-40 L=6				*		1	
26		SS6090630TP		SCREW 9/64-40 L=6				*		1	
27		WP0371026SD		WASHER 3.7X7X1				*		1	
28		SS6090520SP		SCREW 9/64-40 L=5.0				*		1	
29		SS6090810SP		SCREW 9/64-40 L=7.5				*		2	
30		SS6110610TP		SCREW 11/64-40 L=6				*		2	
31		GLB02008000		THROAT PLATE BASE	FOR LB-4Δ					1	
32		GLB02009000		CLOTH WASTE COVER LEFT	FOR LB-4Δ					1	
33	D	GLB02010000		INNER CLICK DRIVING BASE A	FOR LB-4Δ					1	
34		GLB02011000		INNER CLICK DRIVING BASE B	FOR LB-4Δ					1	
35		PA800019000		AIR CYLINDER	FOR LB-4Δ					1	
36	D	PJ032059002		JOINT	FOR LB-4Δ					2	
37		GLB020120A0		INNER CLICK DRIVING ARM ASM.	FOR LB-4Δ					1	
38		GLB02012000		INNER CLICK DRIVING ARM				*		1	
39		B3215470000		PIN				*		1	
40		WP0460556SD		WASHER 4.6X7.5X0.5				*		1	
41		SS9111020TP		SCREW 11/64-40 L=10				*		1	
42		GLB02013000		INNER CLICK DRIVING ARM COVER	FOR LB-4Δ					1	
43		SS7110840SP		SCREW 11/64-40 L=7.8	FOR LB-4Δ					1	
44		SS7110840SP		SCREW 11/64-40 L=7.8	FOR LB-4Δ					2	

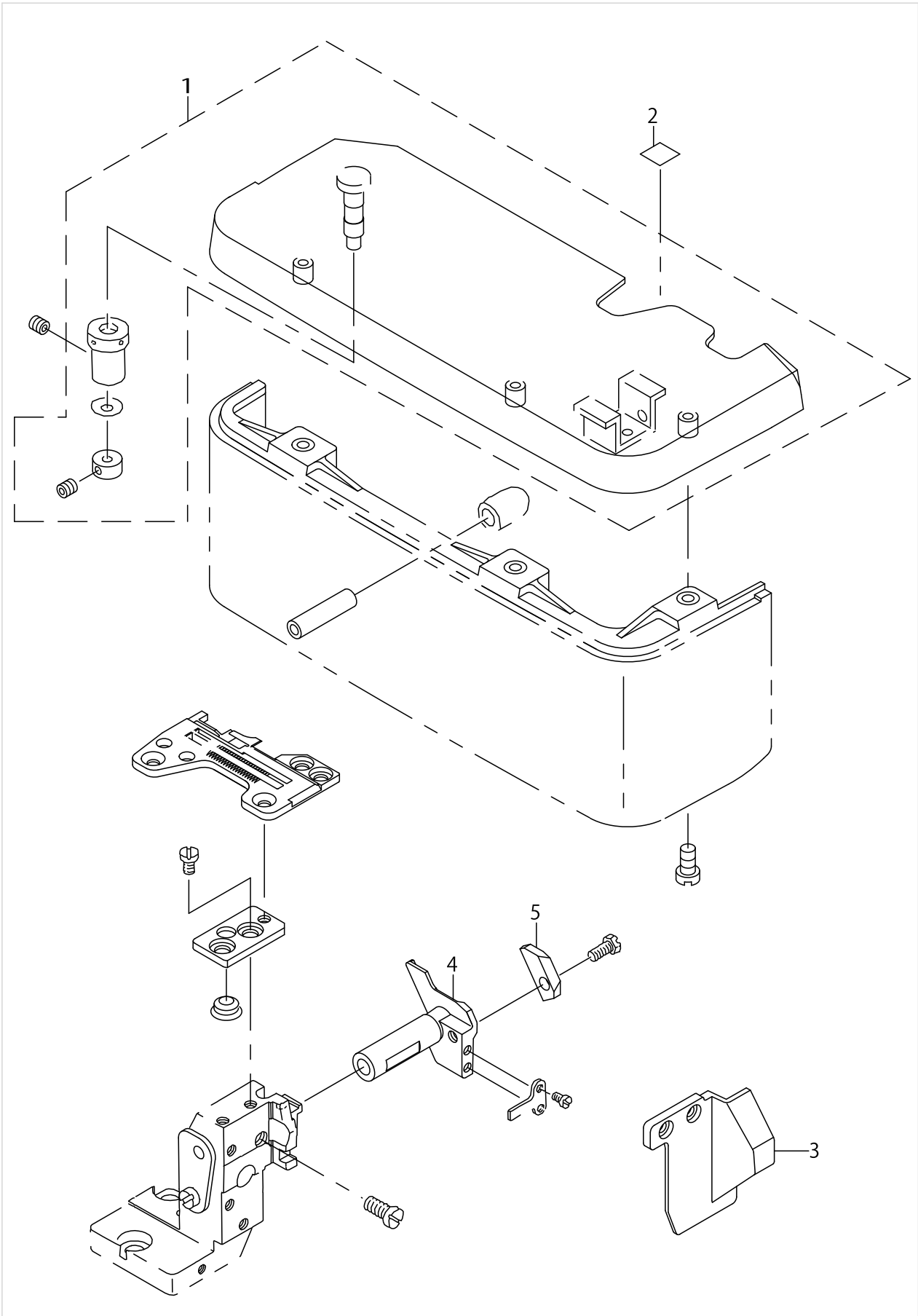
SEMI-AUTOMATIC CHAIN-OFF THREAD ROLL-IN DEVICE (3)



SEMI-AUTOMATIC CHAIN-OFF THREAD ROLL-IN DEVICE (3)

No.	Supply Code	Parts No.	Replacement	Parts name	Remarks	Choice	Step	Level	Cons	Qty	Rep. QTY
45		SM9040700SP		HEXAGONAL BOLT	FOR LB-4Δ					2	
46		WP0430800SC		WASHER M4	FOR LB-4Δ					2	
47		SM6031010SC		SCREW M3X0.5 L=10	FOR LB-4Δ					2	
48		WS0310002KN		SPRING WASHER M3	FOR LB-4Δ					2	
49		WP0320500SC		WASHER M3	FOR LB-4Δ					2	
50		SS4090610SP		SCREW 9/64-40 L=6	FOR LB-4Δ					2	
51		SS6091510SP		SCREW 9/64-40 L=15.0	FOR LB-4Δ					1	
52		NS6090310SP		NUT 9/64-40	FOR LB-4Δ					1	
53	D	GLB030110A0		CLOTH SENSOR ASM.						1	
54		GLB03011000		CLOTH SENSOR FITTING PLATE				*		1	
55	R	GLB020190A0	GLB020200A0	SENSOR ASM.				*		1	1.00
56		GLB02021000		CLOTH SENSOR BLIND				*		1	
57		SD0500204TP		HINGE SCREW				*		1	
58		WZ054031000		WAVED WASHER				*		1	
59		NS6090310SP		NUT 9/64-40				*		1	
60		SS4090610SP		SCREW 9/64-40 L=6						2	
61		G5066110000		CORD HOLDER						1	
62		SS3090710TP		SCREW 9/64-40 L=7						1	

SEMI-AUTOMATIC CHAIN-OFF THREAD ROLL-IN DEVICE (4)



SEMI-AUTOMATIC CHAIN-OFF THREAD ROLL-IN DEVICE (4)

No.	Supply Code	Parts No.	Replacement	Parts name	Remarks	Choice	Step	Level	Cons	Qty	Rep. QTY
1		11922556		CLOTH BASE ASM.						1	
2		MAZ18511000		REFLECTING SHEET						1	
3		GLB03007000		SAFETY PLATE						1	
4	D	GLB02014000		LOWER KNIFE SLIDE STUD	FOR LB-4Δ					1	
5		GLB02015000		LOWER KNIFE PRESSER PLATE	FOR LB-4Δ					1	

HOW TO MAKE USE OF THIS PARTS LIST

1.As to "#01" and "#02" refer to the "Note" given at the bottom of the respective pages.

2.Codes on the "Qty" column

- Each numeral indicates the number of parts required.
- "0.1" and "2.5" indicate the length (in meters) of the respective parts.

3.Parentheses mean that the corresponding part is a subpart that constructs an assembly part.

4.Dotted lines on the Figures indicate assembly parts.

1. リストページの# 0 1、# 0 2の印は、ページ下の"注記"の説明を参照下さい。
2. 数量欄の数字は、個数を表し、0. 1、2. 5等の数値は、長さ（単位メートル）を表します。
3. 数量欄の（ ）は、組部品を構成している子部品であることを意味します。
4. イラストページの-----枠は、組構成であることを意味します。

NUMERICAL INDEX OF PARTS

PART NO	PAGE	REF NO.	PART NO	PAGE	REF NO.	PART NO	PAGE	REF NO.
11806304	8	14	GLB02012000	8	38	PA2002514A0	4	26
11819414	4	24	GLB020120A0	8	37	PA800019000	8	35
11882107	8	4	GLB02013000	8	42	PF0552040A0	4	39
11882206	8	3	GLB02014000	12	4	PJ032059002	8	36
11922556	12	1	GLB02015000	12	5	PJ301040502	4	11
12151551	8	1·2	GLB020160A0	4	1	PJ301060503	4	12
12151650	8	1·2	GLB020170A0	4	15	PJ301065102	4	35
12174801	8	5	GLB020180A0	4	23	PJ304040504	2	23
12175006	8	6	GLB020190A0	10	55	PJ304065101	4	31
13137609	2	16	GLB02021000	10	56	PJ308060003	4	6
13137708	2	8·9	GLB030010A0	2	1·2	PJ308065202	4	40
13137807	2	10·11	GLB03002000	2	3	PX055104000	4	36
13137906	2	14	GLB03003000	2	29·30	R4205J2ED00	8	13
13138102	2	18	GLB03004000	2	27	R4300J2EE00	8	9
13138201	2	12	GLB03005000	2	4	SD0500204TP	10	57
13138706	2	8·9	GLB03006000	2	21	SK3311601SE	4	37
13138805	2	10·11	GLB030060A0	2	20	SM4030655SP	2	25
13138904	2	15	GLB03007000	12	3	SM4031001SC	2	24
13178306	8	7	GLB030080A0	2	7	SM4040501SN	6	58
B3120352000	2	31·32	GLB030100A0	2	6	SM6031010SC	10	47
B3215470000	8	39	GLB03011000	10	54	SM6062502TP	4	30
B4110522000	8	21	GLB030110A0	10	53	SM9040700SP	10	45
BT0400251EB	4	17	GLB040010A0	2	1·2	SS3090710TP	10	62
BT0600401EB	4	38	GMD01080000	4	42	SS4090610SP	8	60
D2112555B00	6	54	GSY30002000	4	43	SS4090610SP	10	60
EA9500B0100	4	21·22	GSY30003000	4	44	SS4150715SP	6	55
F1021003000	4	41	GSY30004AA0	6	45	SS6060220SP	6	51
G5066110000	10	61	GSY30004BA0	6	46	SS6090520SP	8	28
G5182120000	4	20	GSY30005000	6	47	SS6090630TP	8	26
GBT01083000	4	25	GSY30006000	6	48	SS6090810SP	8	29
GBT01084000	4	27	GSY300100A0	6	49	SS6091510SP	10	51
GBT01085000	4	28	M90195800A0	6	56	SS6110610TP	8	30
GBT01086000	4	29	MAZ082000C0	8	8	SS6120930TP	2	19
GLB020010A0	8	12	MAZ08205000	8	22	SS7090410SP	6	50
GLB02002000	8	16	MAZ08211000	8	23	SS7110710SL	2	28
GLB020020A0	8	15	MAZ17301000	8	11	SS7110840SP	8	44
GLB02003000	8	17	MAZ18511000	12	2	SS7111410TP	6	52
GLB02004000	8	18	MAZ185130AA	4	8	SS9111020TP	8	41
GLB02005000	8	19	MAZ185140AA	4	33	SS9151120CP	4	32
GLB02006000	8	20	MAZ185160A0	6	53	WP0320500SC	10	49
GLB02007000	8	24	MTJVM003600	6	60	WP0371026SD	8	27
GLB02008000	8	31	MTSP01200A0	6	59	WP0430800SC	10	46
GLB02009000	8	32	NS6090310SP	10	59	WP0460556SD	8	40
GLB02010000	8	33	NS6110420SP	2	17	WP0611626SP	6	61
GLB02011000	8	34	PA0600509A0	2	22	WS0310002KN	10	48

NUMERICAL INDEX OF PARTS

PART NO	PAGE	REF NO.
WT0430002KN	6	57
WZ054031000	10	58