

MODEL : LK-1900A/BR35

List No : 1381-01

PARTS LIST

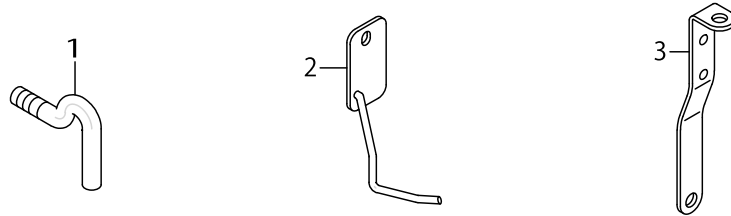
Published:05/12/2017

CONTENTS

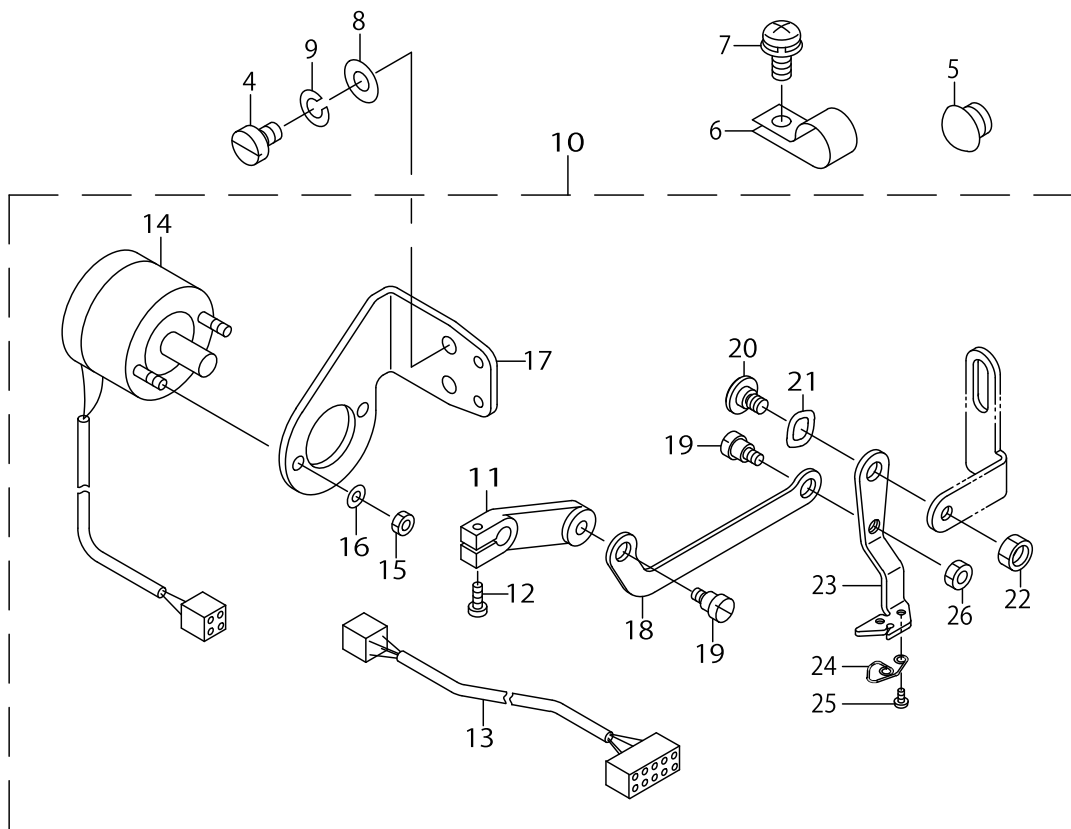
THREAD TENSION COMPONENTS & WIPER MECHANISM COMPONENTS.....	1
EXCLUSIVE PARTS FOR LK-1903AS-311,LK-1903AS-312 (1).....	3
EXCLUSIVE PARTS FOR LK-1903AS-311,LK-1903AS-312 (2).....	5
BUTTON CLAMP COMPONENTS.....	9
FINE POSITIN OF BUTTONS COMPONENTS (1)	13
FINE POSITIN OF BUTTONS COMPONENTS (2)	15
DRIVE CAM COMPONENTS.....	19
INDEX COMPONENTS (1).....	21
INDEX COMPONENTS (2)	25
FEEDER BALL COMPONENTS	29
TABLE & COVER COMPONENTS	31
BR CONTROL BOX COMPONENTS (FOR USE IN JAPAN AND GENERAL EXPORT).....	35
BR CONTROL BOX COMPONENTS (FOR EUROPE).....	39
BR POWER SUPPLY COMPONENTS.....	43
CONTROL BOX COMPONENTS	45
OPERATION PANEL COMPONENTS	49
MC-597 WIRING DIAGRAM.....	51
BR35 WIRING DIAGRAM	55
ACCESSORIE PART COMPONENTS	57
LIST FOR INFORMATION OF CHANGE.....	59
HOW TO MAKE USE OF THIS PARTS LIST	60

THREAD TENSION COMPONENTS & WIPER MECHANISM COMPONENTS

THREAD TENSION COMPONENTS 針棒・糸調子関係



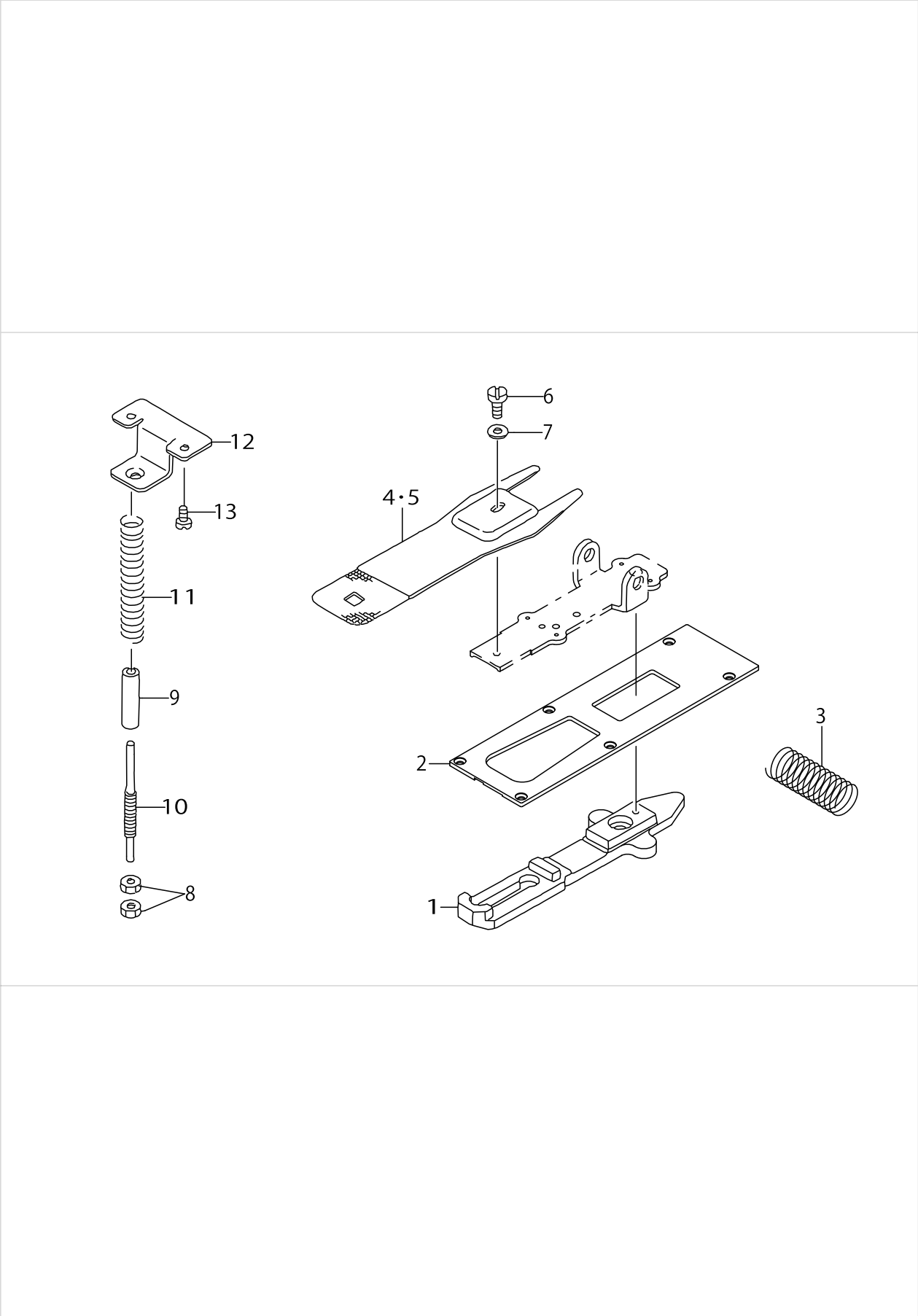
WIPER MECHANISM COMPONENTS ワイパー関係



THREAD TENSION COMPONENTS & WIPER MECHANISM COMPONENTS

No.	Supply Code	Parts No.	Replacement	Parts name	Remarks	Choice	Step	Level	Cons	Qty	Rep. QTY
1		40013452		L SHAPED THREAD GUIDE B						1	
2		B55412050A0		THREADING GUIDE ASM.						1	
3		B1114581000		THREAD GUIDE PLATE						1	
4		SM6040650TP		SCREW						2	
5		TA1250705R0		RUBBER PLUG						1	
6		HX00123000C		CABLE CLIP						4	
7		SL4041091SC		SCREW M4 L=10						4	
8		WP0450801SD		WASHER 4.5X10X0.8						2	
9		WS0451040KP		SPRING WASHER 4.5X8.5X1						2	
10		40018334		MAGNET WIPER ASM.						1	
11		B210220500A		WIPER ARM				*		1	
12		SS7111120TP		SCREW				*		1	
13		40018335		SOLENOID RELAY CABLE ASM.				*		1	
14		14147755		SOLENOID FOR WIPER ASM.				*		1	
15		NM6040003SC		NUT M4				*		2	
16	R	WS0410002KS	WS0410002KN	SPRING WASHER M4				*		2	1.00
17		13864509		SOLENOID FITTING PLATE				*		1	
18		14147607		WIPER LINK				*		1	
19		SD0600181TP		HINGE SCREW				*		2	
20		SD0640261SP		HINGE SCREW D=3.65 H=2.6				*		1	
21		WZ0640200KP		WAVE WASHER				*		1	
22		NS6120310SP		NUT 3/16-28				*		1	
23		40009859		WIPER				*		1	
24		14147805		SPRING				*		1	
25		SS7060310SP		SCREW 3/32-56 L=3				*		2	
26		NS6110310SP		NUT 11/64-40				*		1	

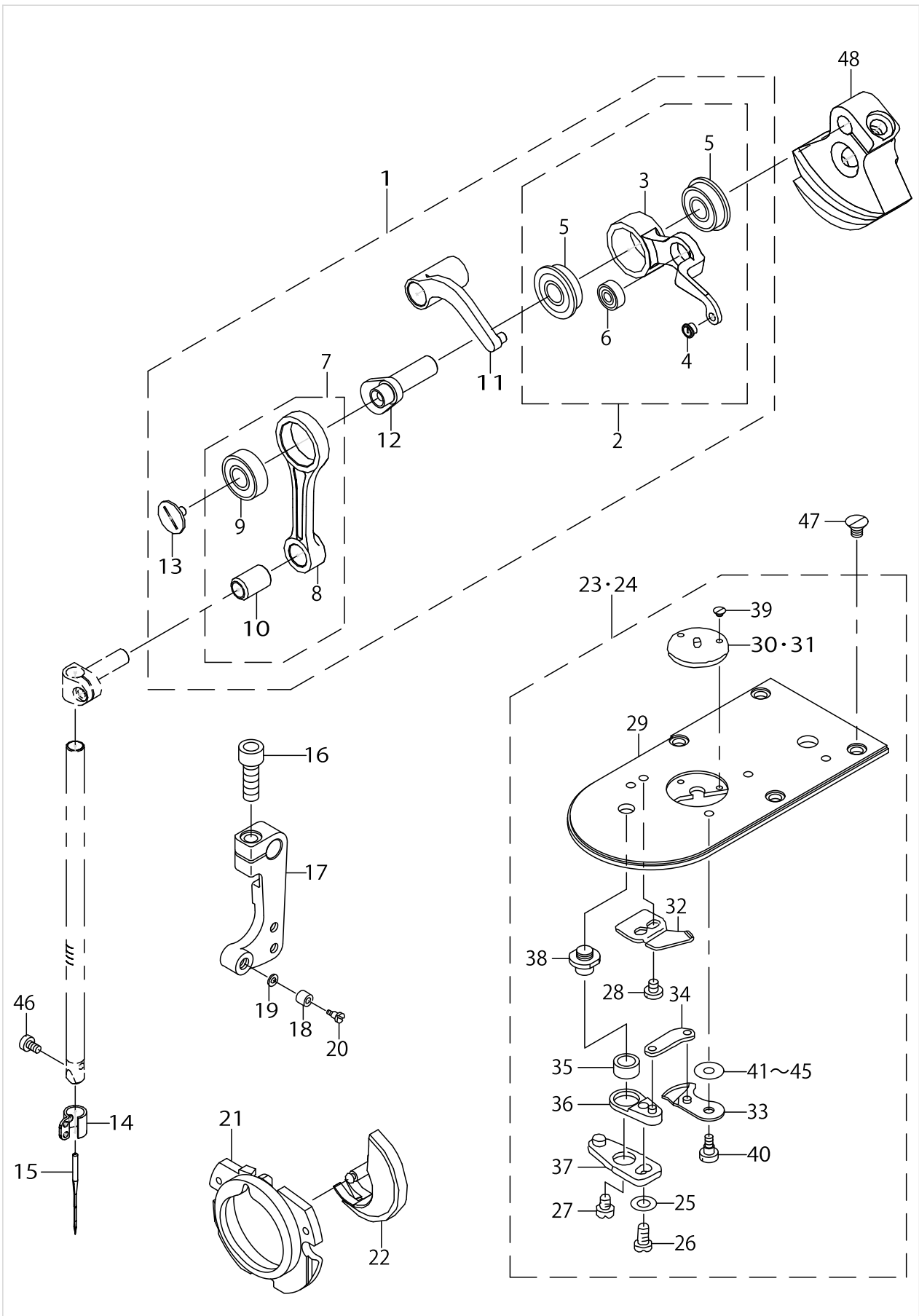
EXCLUSIVE PARTS FOR LK-1903AS-311,LK-1903AS-312 (1)



EXCLUSIVE PARTS FOR LK-1903AS-311,LK-1903AS-312 (1)

No.	Supply Code	Parts No.	Replacement	Parts name	Remarks	Choice	Step	Level	Cons	Qty	Rep. QTY
1		14145106		CLOTH FEED PLATE						1	
2		40006935		CROTH FEED PRESSER PLATE B						1	
3		14148407		VERTICAL FEED SHAFT SPRING						1	
4		MAZ15502000		PRESSURE PLATE						1	
5		MAZ15602000		PRESSURE PLATE						1	
6		SS9110543CP		SCREW 11/64-40 L=5.3						1	
7		WP0501016SD		WASHER 5X10.5X1						1	
8	R	B3125012000	22928808	THREAD TENSION NUT						2	1.00
9		D2527232D00		SLEEVE						1	
10		14146906		ADJUSTING SHAFT						1	
11		13812003		PRESSURE SPRING						1	
12		13811906		ACCEPT PLATE, UPPER						1	
13		SM5040855SN		SCREW						2	

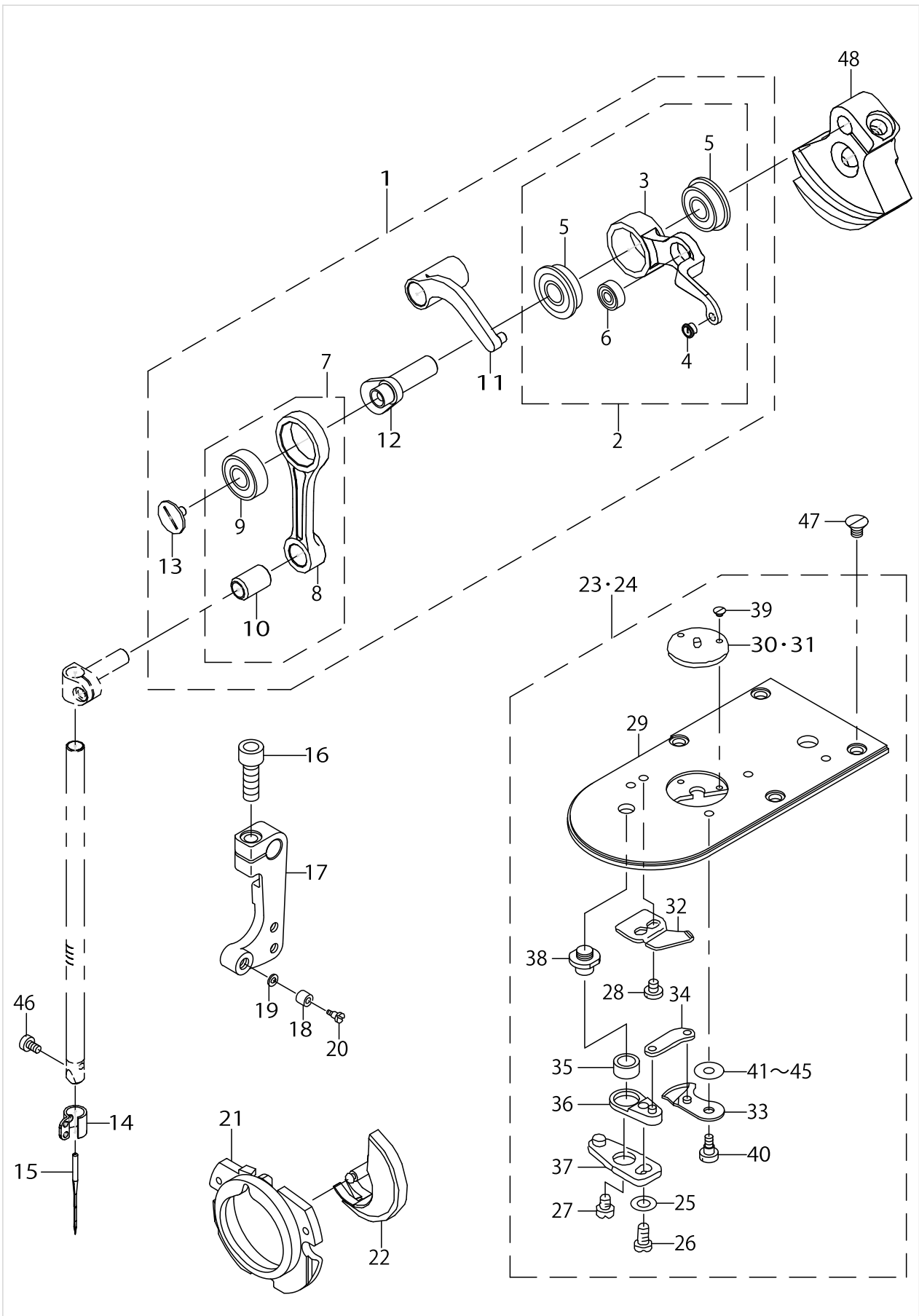
EXCLUSIVE PARTS FOR LK-1903AS-311,LK-1903AS-312 (2)



EXCLUSIVE PARTS FOR LK-1903AS-311,LK-1903AS-312 (2)

No.	Supply Code	Parts No.	Replacement	Parts name	Remarks	Choice	Step	Level	Cons	Qty	Rep. QTY
1		40006923		THREAD TAKE UP B COMPL.						1	
2	R	40006924	40006923	THREAD TAKE UP LEVER B ASM.				*		1	1.00
3	R	40006925	40006923	THREAD TAKE UP LEVER B				*		1	1.00
4		B1908505000		THREAD PASS BUSH				*		1	
5		SB108002200		BEARING				*		2	
6		SB104001600		BEARING				*		1	
7		40006534		NEEDLE BAR CRANK ROD ASM.				*		1	
8	R	40006535	40006534	NEEDLE BAR CRANK ROD				*		1	1.00
9		SB108002300		BEARING				*		1	
10	R	22891006	22890958	NEEDLE BAR CRANK ROD BUSH		A	DDL-5700N	*		1	1.00
10	R	22891006	23622251	NEEDLE BAR CRANK ROD BUSH		B	DDL-9000,- DP-2100,DLN-9010	*		1	1.00
10	R	22891006	40078106	NEEDLE BAR CRANK ROD BUSH		C	AMS- /IP-- 420,AMS-220EN	*		1	1.00
10	R	22891006	40006534	NEEDLE BAR CRANK ROD BUSH		D	LK- ,AMS-- /IP-410,A- MS-210E,AB-1351	*		1	1.00
11		40006532		THREAD TAKE UP CRANK				*		1	
12	R	40006926	40006923	NEEDLERODCRANKB				*		1	1.00
13		B1903552000		LEFT SCREW				*		1	
14	R	40006525	40010574	NEEDLE BAR THREAD GUIDE						1	1.00
15		MDP170B1400		NEEDLE DPX17 #14						1	
16		SM6061802TP		SCREW M6 L=18						1	
17		40011949		CONNECTING ARM B						1	
18	R	B2619372000	26028803	STOP MOTION TRI- PPING LEVER CAM						1	1.00
19		B185351200E		HOOK SHAFT WASHER						1	
20		SD0791271SP		HINGE SCREW D= 7.94 H=12.7						1	
21		14103352		INNER HOOK PRESSER ASM., B						1	
22	R	40006580	400065800A0	SHUTTLE		A	AMS210EN- /7450,AMS- 210EN/X7450C			1	1.00
22	R	40006580	40110846	SHUTTLE		B	LK-1900A/- 1900AN, AB-1351			1	1.00
23		40006725		NEEDLE PLATE ASM.,M	FOR LK-19- 03AS-311					1	
24		40006726		NEEDLE PLATE ASM.,K	FOR LK-19- 03AS-312					1	
25		WP0450846SP		WASHER				*		1	
26		SS7110740TP		SCREW 11/64-40 L=7				*		1	
27		SS6110430TP		SCREW 11/64-40 L= 4.0				*		1	
28		SS7090410SP		SCREW 9/64-40 L= 3.5				*		2	
29		40006721		NEEDLE PLATE				*		1	
30		MAZ15801000		GUIDE	FOR LK-19- 03AS-311			*		1	
31		MAZ15601000		GUIDE	FOR LK-19- 03AS-312			*		1	
32		B2424280000		FIXING KNIFE				*		1	
33		B24212800A0		MOVING KNIFE ASM.				*		1	
34		B2418280000		MOVING KNIFE LINK				*		1	
35		B2416280000		THREAD CUTTING LEVER RING				*		1	
36		B24152800A0		THREAD CUTTER L- EVER ASM., SMAL				*		1	
37		B24142800A0		THREAD CUTTER L- EVER ASM., LARG				*		1	

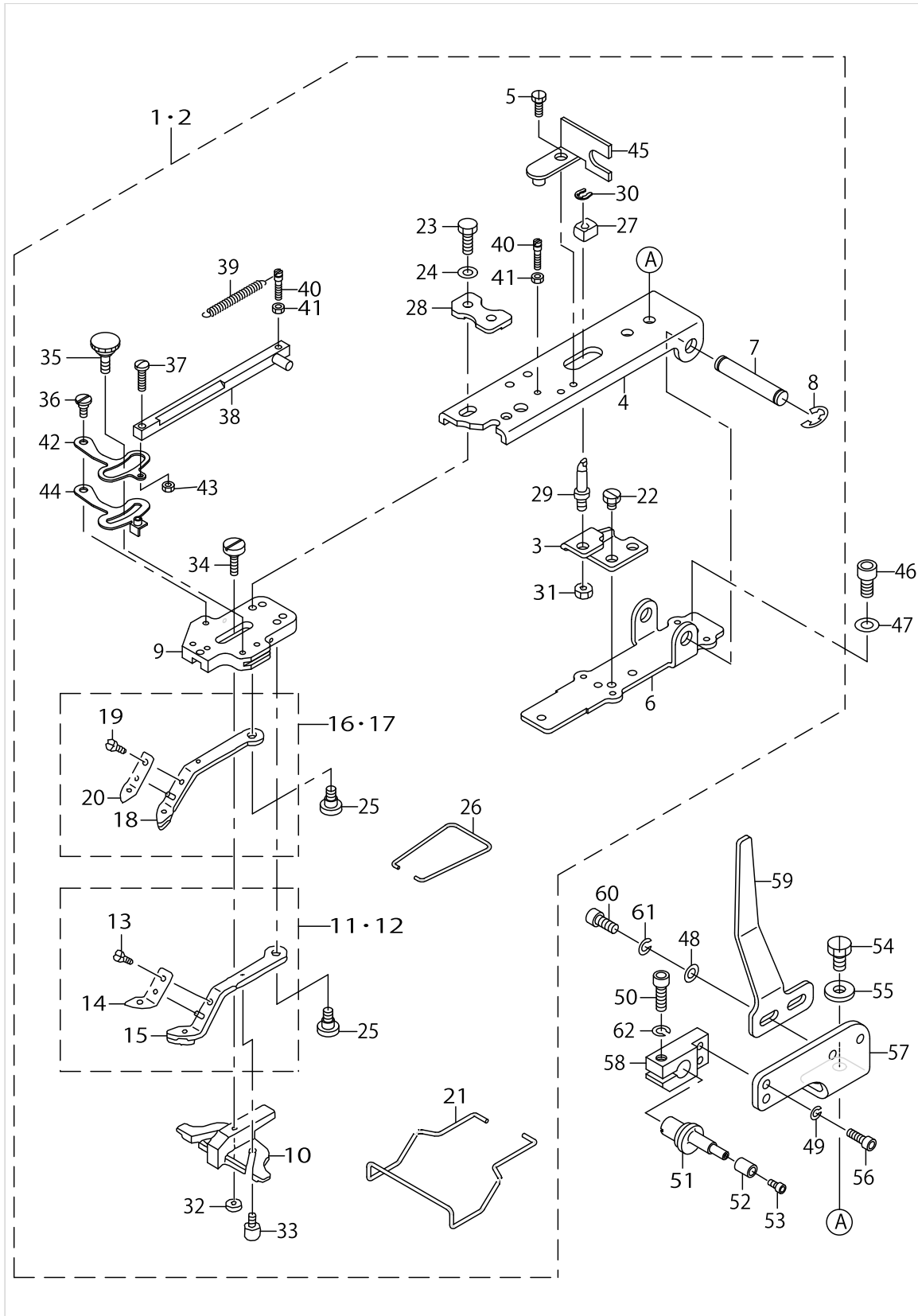
EXCLUSIVE PARTS FOR LK-1903AS-311,LK-1903AS-312 (2)



EXCLUSIVE PARTS FOR LK-1903AS-311,LK-1903AS-312 (2)

No.	Supply Code	Parts No.	Replacement	Parts name	Remarks	Choice	Step	Level	Cons	Qty	Rep. QTY
38		B2417280000		THREAD CUTTER LEVER SHAFT				*		1	
39		SS1060210TP		SCREW 3/32-56 L=2.2				*		2	
40		SD0500091TP		HINGE SCREW D= 5.0 H= 0.9				*		1	
41		B242328000C		MOVING KNIFE WASHER C				*		1	
42		B242328000D		MOVING KNIFE WASHER D				*		1	
43		B242328000E		MOVING KNIFE WASHER E				*		1	
44		B242328000A		MOVING KNIFE WASHER A				*		1	
45		B242328000B		MOVING KNIFE WASHER B				*		1	
46		SM6030500SN		SCREW M3 L=5						1	
47		SM1040650TP		SCREW						4	
48	R	40006927	40010428	COUNTER_WEIGHT_B						1	1.00

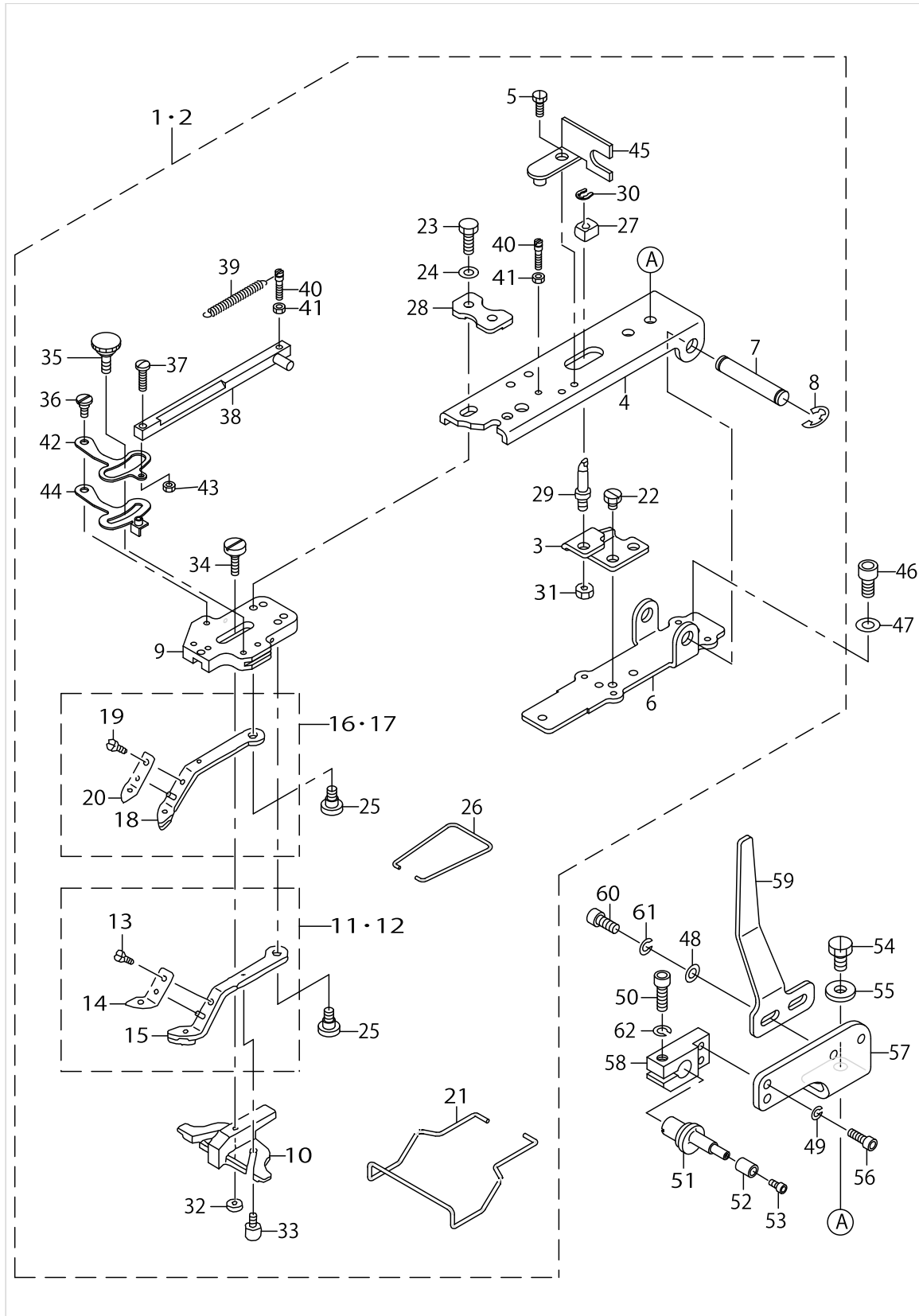
BUTTON CLAMP COMPONENTS



BUTTON CLAMP COMPONENTS

No.	Supply Code	Parts No.	Replacement	Parts name	Remarks	Choice	Step	Level	Cons	Qty	Rep. QTY
1		14190052		KNOB DEVICE JUNCTION COMPL.	FOR LK-19-03AS-311					1	
2		14190151		KNOB DEVICE JUNCTION COMPL.	FOR LK-19-03AS-312					1	
3		MAZ15514000		SUPPORT PLATE				*		1	
4		14146203		PICK-UP FOOT INSTALLING BASE				*		1	
5		SS9091010SP		SCREW 9/64-40 L=10				*		1	
6		14146104		PICK-UP INSTALLING BASE				*		1	
7		14141402		INSTALLING SHAFT				*		1	
8		RE0700000K0		E-RING 7				*		2	
9		14146302		PICK-UP FOOT INSTALLING BASE				*		1	
10		MAZ16522000		BUTTONGUIDE FOOT				*		1	
11		14190458		S BUTTON CLAMP JAW LEVER ASM.R	FOR LK-19-03AS-311			*		1	
12		MAZ166070B0		M BUTTON CLAMP JAW LEVER ASM.R	FOR LK-19-03AS-312			*		1	
13		SS7090410SP		SCREW 9/64-40 L=3.5				*		2	
14		MAZ08829000		SPRING, RIGHT				*		1	
15	R	MAZ166070A0	MAZ166070B0	M BUTTON CLAMP JAW LEVER ASM.R				*		1	1.00
16		14190557		S BUTTON CLAMP JAW LEVER ASM.L	FOR LK-19-03AS-311			*		1	
17		MAZ166080B0		KNOB FOOT JUNCTION (LEFT)	FOR LK-19-03AS-312			*		1	
18	R	MAZ166080A0	MAZ166080B0	MIDDLE BUTTON CLAMP LEVER ,L				*		1	1.00
19		SS7090410SP		SCREW 9/64-40 L=3.5				*		2	
20		MAZ08828000		SPRING, LEFT				*		1	
21		D3130M1YC00		FINGER GUARD				*		1	
22		SS9110460CP		SCREW 11/64-40 L=4				*		2	
23		SS9621413SP		SCREW 3/16-32 L=13.5				*		2	
24		WP0501016SD		WASHER 5X10.5X1				*		2	
25		SD0640391TP		HINGE SCREW D= 6.35 H= 3.9				*		2	
26		B2561372000		BUTTON CLAMP SPRING				*		1	
27		MAZ15515000		SLIDE BLOCK				*		1	
28		14190300		FITTING BASE PRESSER PLATE				*		1	
29		13540901		STATIONING BLOCK SHAFT				*		1	
30		D2548232D00		SNAP RING, FOR CONNECTING ROD				*		1	
31		NS6150310SP		NUT 15/64-28				*		1	
32		B2553372000		NUT				*		1	
33		B2560372000		BUTTON CLAMP STOP PIN				*		2	
34		SD0550303TP		HINGE SCREW D=5.5 H=3				*		1	
35	R	B2549372R00	B2549372R00A	CLAMP SCREW A				*		1	1.00
36		SD0500301SP		HINGE SCREW D= 5 H= 3				*		1	
37		SS7091480SP		SCREW 9/64-40 L=13.5				*		1	
38		MAZ088270A0		CLAMP PELEASE LINK ASM.				*		1	
39		GBR01606000		RELEASE RETURN SPRING				*		1	
40		GBR01607000		SPRING HOOK				*		2	
41		NS6080210SP		NUT 1/8-44				*		2	
42		GBR01601000A		CLAMP RELEASE LEVER				*		1	
43		NS6090310SP		NUT 9/64-40				*		1	

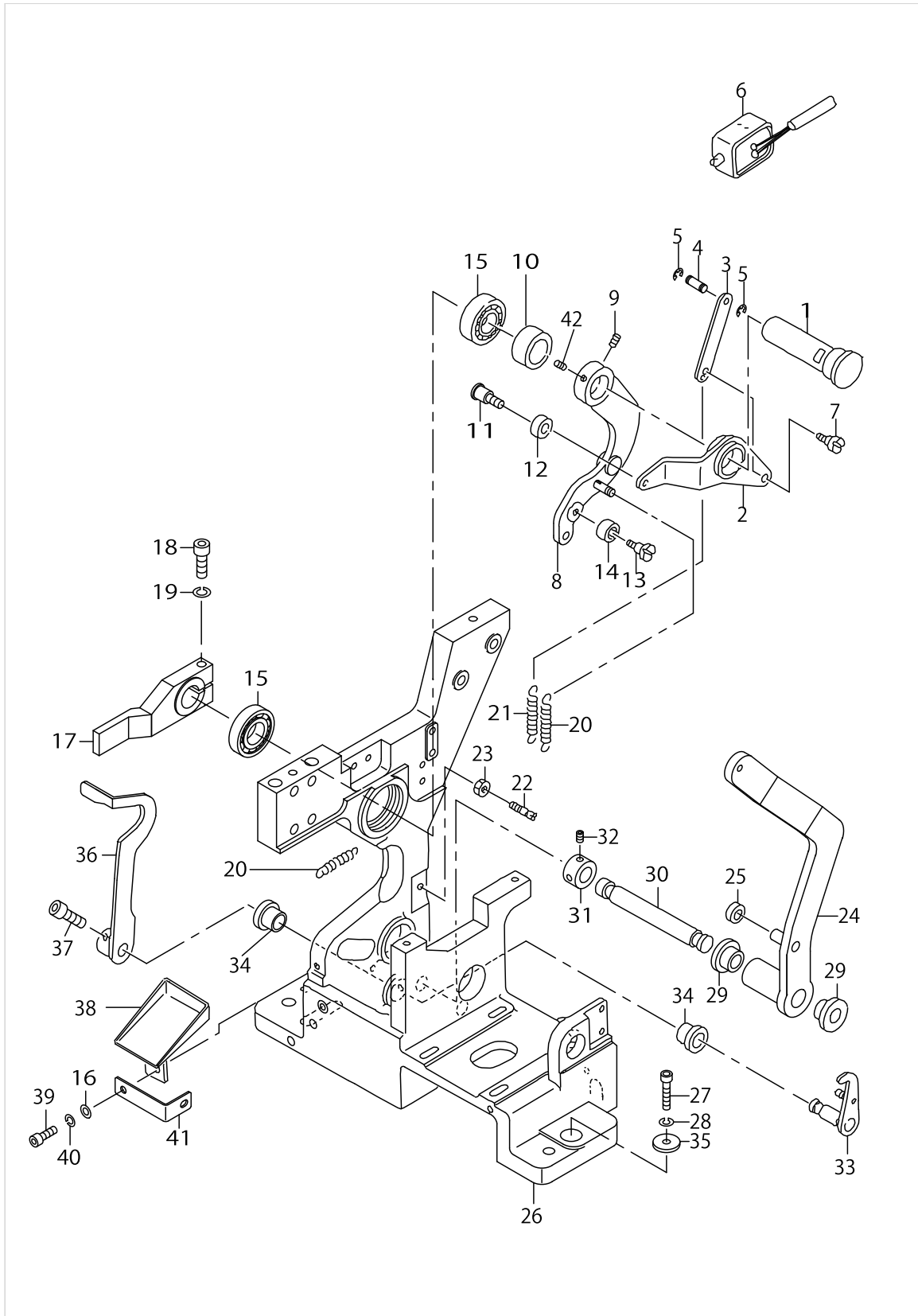
BUTTON CLAMP COMPONENTS



BUTTON CLAMP COMPONENTS

No.	Supply Code	Parts No.	Replacement	Parts name	Remarks	Choice	Step	Level	Cons	Qty	Rep. QTY
44	R	B2548372RA0	B2548372R00A	BUTTON CLAMP ST- OP LEVER ASM.				*		1	1.00
45		D2572M1YC0F		LINK SUPPORTING PLATE				*		1	
46		SM6061202TP		SCREW M6 L=12						1	
47		WP0612516SD		WASHER 6.1X15.2X2.5						1	
48		WP0531000SD		WASHER M5						2	
49		WS0410002KN		SPRING WASHER						2	
50		SM6051602TP		SCREW M5X0.8 L=16						1	
51		18227603		HOOK						1	
52		18200709		BUTTON GAUGE F- OR FOUR HOLES						1	
53		SM6030602TP		SCREW M3X0.5 L=6						1	
54		SS9151120CP		SCREW 15/64-28L=11						2	
55		WP0612516SD		WASHER 6.1X15.2X2.5						2	
56		SM6041202TP		SCREW M4X0.7 L=12						2	
57		GBR25004000		HOLDER BRACKET						1	
58		18209007		HOOK HOLDER						1	
59		GBR25003000		LIFTING ACTUATING PLATE						1	
60		SM6051202TP		SCREW M5X0.8 L=12						2	
61		WS0510002KP		SPRING WASHER 5.1X9.2X1.3						2	
62		WS0510002KP		SPRING WASHER 5.1X9.2X1.3						1	

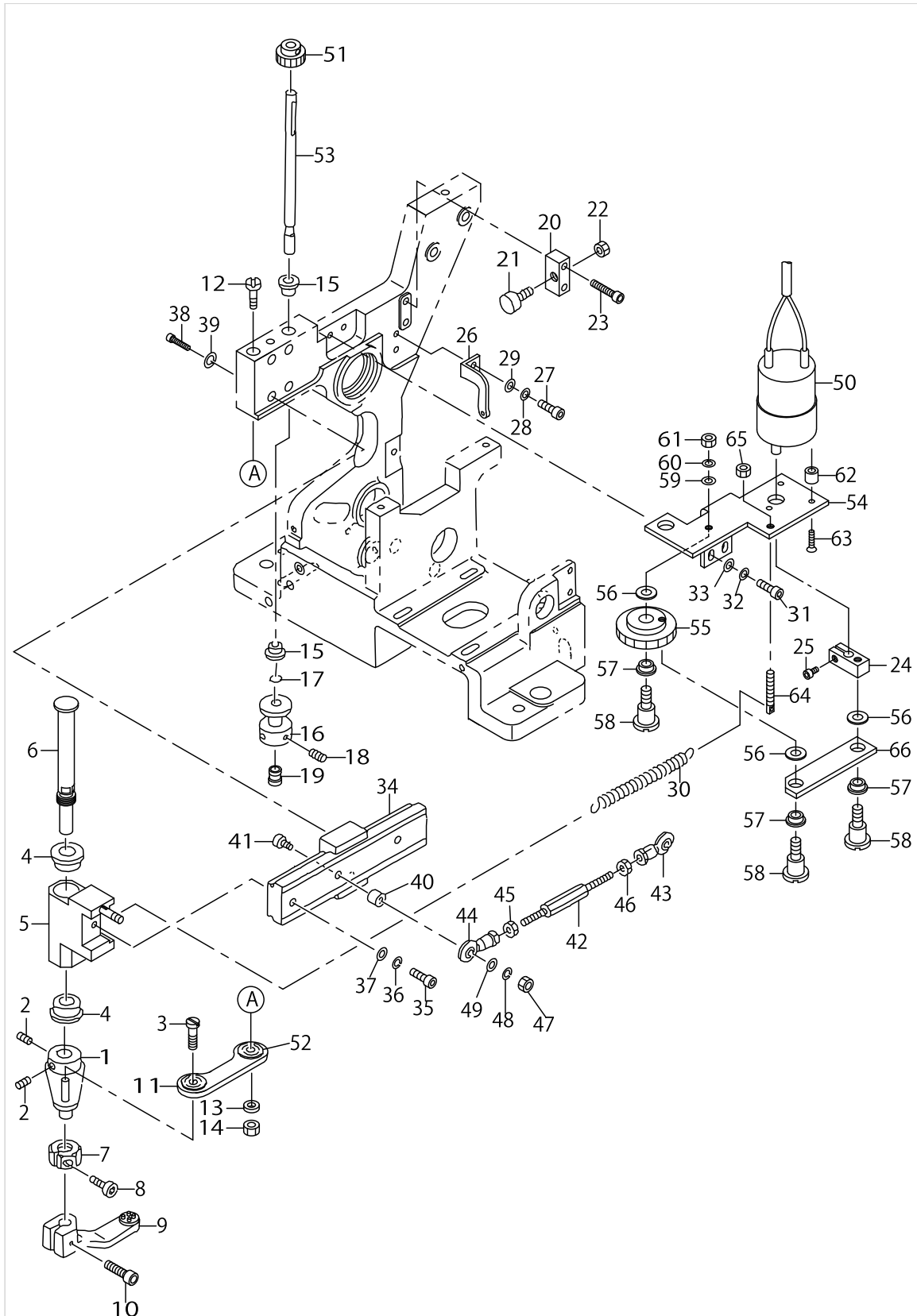
FINE POSITIN OF BUTTONS COMPONENTS (1)



FINE POSITIN OF BUTTONS COMPONENTS (1)

No.	Supply Code	Parts No.	Replacement	Parts name	Remarks	Choice	Step	Level	Cons	Qty	Rep. QTY
1		16552507		ARM SHAFT						1	
2		18219709		RUBBING UP-AND-DOWN LEVER						1	
3		18218206		RUBBING UP-AND-DOWN LINK						1	
4		16557209		PIN						1	
5		RE0200000K0		E-RING						2	
6		GBR10852000		MAGNET						1	
7		SD0600341TP		HINGE SCREW D=6.0 H=3.4						1	
8		18227850		UP AND DOWN LEVER ASM.						1	
9		SM8050602TP		SCREW M5 L=6						2	
10		16552606		THRUST COLLAR						1	
11		SD0600401TP		HINGE SCREW D= 6 H= 4						1	
12		18219808		RUBBING ROLLER						1	
13		SD0601021SP		HINGE SCREW D=6 H=10.2						1	
14		16556706		BEARING						1	
15		SB115000400		RADIAL BEARING						2	
16		WP0430800SC		WASHER M4						1	
17		18207902		UP AND DOWN ARM						1	
18		SM6052502TP		SCREW M5X0.8 L=25						1	
19		WS0510002KN		SPRING WASHER						1	
20		16554008		SPRING						2	
21		16553208		SPRING						1	
22		16553307		HOOK						1	
23		NM6050001SC		NUT M5						1	
24		18206706		TURNING LEVER						1	
25		16556805		COLLAR						1	
26		18227702		MAIN BODY						1	
27		SM6063002TP		SCREW M6 L=30						3	
28		WS0610002KN		SPRING WASHER 6.1X12.2X1.5						3	
29		16557506		LEVER SHAFT METAL						2	
30		16554503		SHAFT						1	
31		16559304		COLLAR						1	
32		SM8040602TP		SCREW M4X0.7 L=6						2	
33		18217752		CLAMP RELEASE ASM.						1	
34		16557605		SHAFT BUSHING						2	
35		16559601		WASHER						3	
36		18206904		CLAMPRELEASEARM						1	
37		SM6050802TP		SCREW M5X0.8 L=8						2	
38		16550105		SUPPORT PLATE						1	
39		SM6040802TP		SCREW M4X0.7 L=8						1	
40		WS0410002KN		SPRING WASHER						1	
41		GBR25005000		CAM FIXING PLATE						1	
42		SM8050612TP		SCREW M5X6						1	

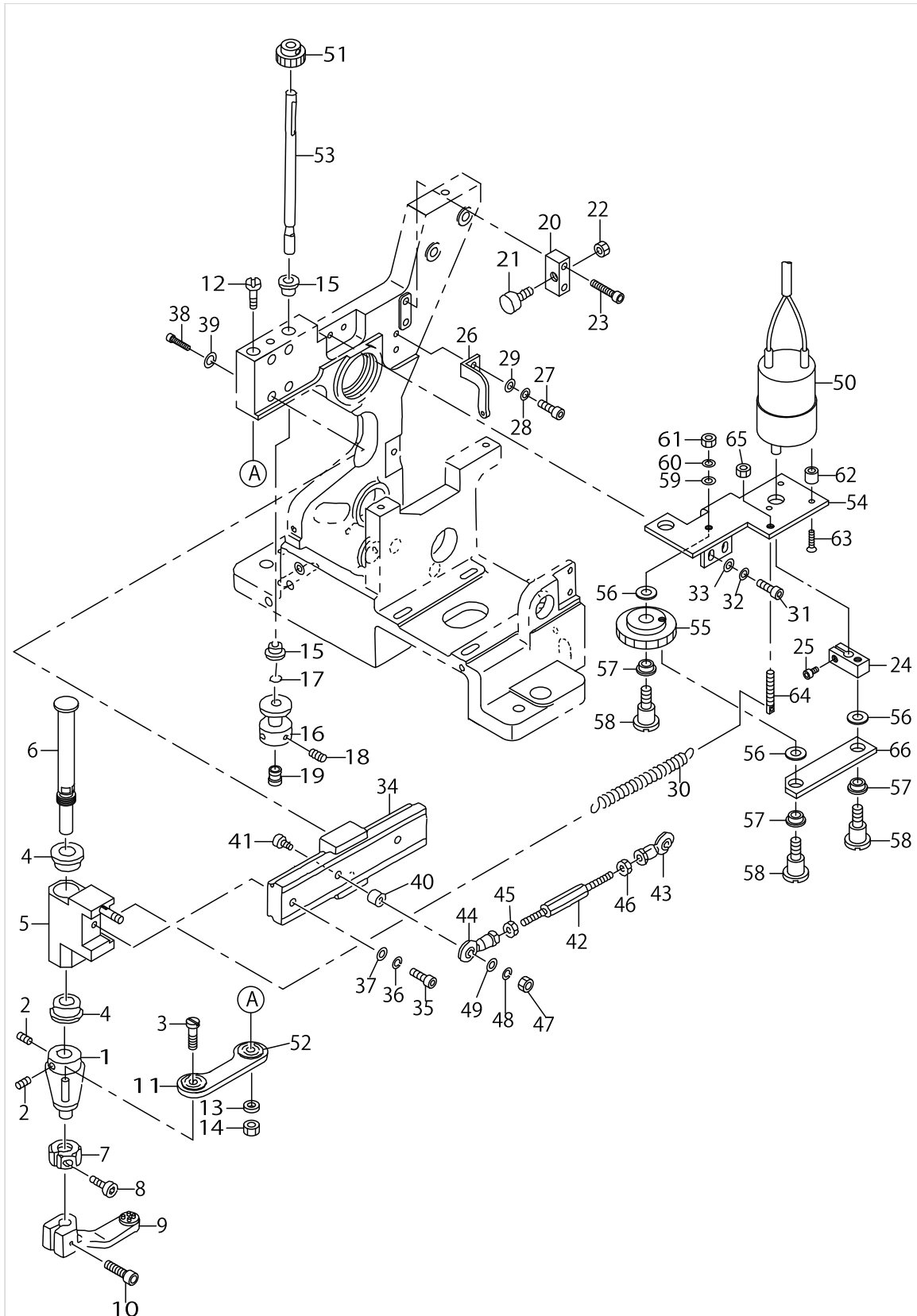
FINE POSITIN OF BUTTONS COMPONENTS (2)



FINE POSITIN OF BUTTONS COMPONENTS (2)

No.	Supply Code	Parts No.	Replacement	Parts name	Remarks	Choice	Step	Level	Cons	Qty	Rep. QTY
1		18206003		TURNING LEVER BOSS						1	
2		SM8050602TP		SCREW M5 L=6						2	
3		16550808		SCREW						1	
4		16557407		ARM SHAFT METAL						2	
5		18227959		TURNING HEAD ASM.						1	
6		18205906		TURNING SHAFT						1	
7		18206409		STOPPER						1	
8		SM6031202TP		SCREW M3X0.5 L=12						1	
9		16557902		BUTTON CARRIER A						1	
10		SM6051402TP		SCREW M5X0.8 L=14						1	
11		18206607		CONNECTING PLATE						1	
12		18205708		SCREW						1	
13	R	WS0510002KS	WS0510002KR	SPRING WASHER M5						1	1.00
14		NM6050001SC		NUT M5						1	
15		16557308		METAL						2	
16		16551905		HOOK						1	
17		16558801		O-RING						1	
18		SM8040602TP		SCREW M4X0.7 L=6						2	
19		18200501		WORK ATTACHMENT (SMALL)						1	
20		18218800		STOPPER HOLDER						1	
21		16552309		STOPPER						1	
22		NM6040001SC		NUT M4						1	
23		SM6042002TP		SCREW M4X0.7 L=20						2	
24		GBR11112000		DRIVING ARM						1	
25		SS6111052TP		SCREW						1	
26		18205401		SPRING HOOK						1	
27		SM6041202TP		SCREW M4X0.7 L=12						2	
28		WS0410002KN		SPRING WASHER						2	
29		WP0430800SC		WASHER M4						2	
30		16551806		SPRING						1	
31		SM6041002TP		SCREW M4 L=10						2	
32		WS0410002KN		SPRING WASHER						2	
33		WP0430800SC		WASHER M4						2	
34		16556607		LM GUIDE						1	
35		SM6041402TP		SCREW M4 L=14						1	
36		WS0410002KN		SPRING WASHER						1	
37		WP0430800SC		WASHER M4						1	
38		SM6031402TP		SCREW						4	
39		WS0310002KN		SPRING WASHER M3						4	
40		16550402		COLLAR B						1	
41		SM6042502TP		SCREW M4X0.7 L=25						1	
42		16550204		CONNECTING ROD						1	
43		16556409		ROD END						1	
44		16556300		ROD END						1	
45		NM6040001SC		NUT M4						1	
46		GBR01175000		ROD END NUT, LEFT						1	

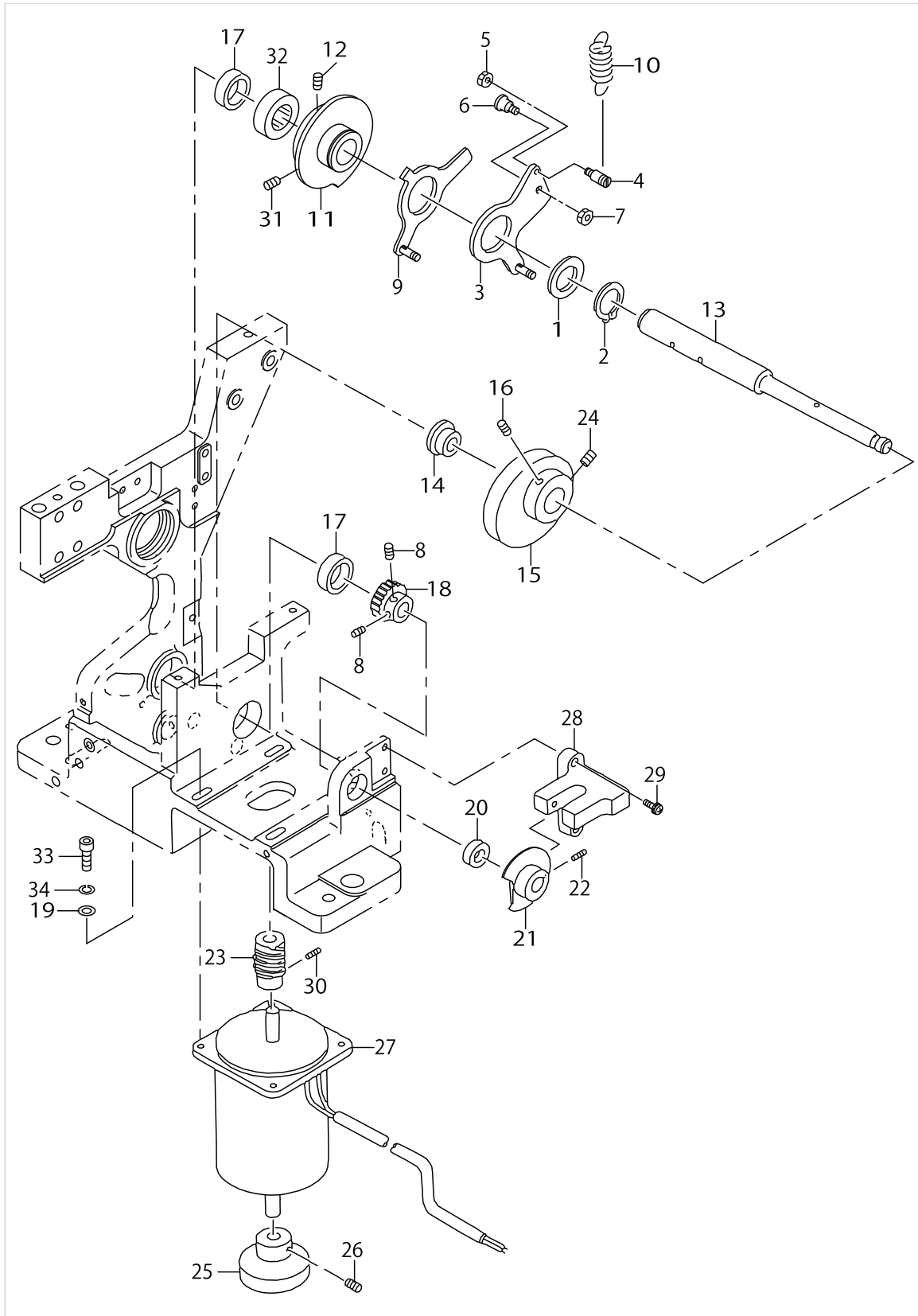
FINE POSITIN OF BUTTONS COMPONENTS (2)



FINE POSITIN OF BUTTONS COMPONENTS (2)

No.	Supply Code	Parts No.	Replacement	Parts name	Remarks	Choice	Step	Level	Cons	Qty	Rep. QTY
47		NM6040001SC		NUT M4						1	
48		WS0410002KN		SPRING WASHER						1	
49		WP0430800SC		WASHER M4						1	
50		GBR108550A0		DC MOTOR ASM.						1	
51		GBR11110000		PINION, A						1	
52		16556508		SPRIT						1	
53		18206201		ROTATING ROD						1	
54		GBR11109000		BRACKET						1	
55		GBR11111000		PINION, B						1	
56		GBR11114000		WASHER						3	
57		E5006171000		PS BEARING						3	
58		SD0600651TP		HINGE SCREW						3	
59		WP0430801SC		WASHER 4.3X9X0.8						1	
60		WS0410002KN		SPRING WASHER						1	
61		NS6110360SP		NUT						1	
62		GBR11115000		MOTOR SPACER.						3	
63	R	SM1031401SC	SM1031401SN	SCREW M3X0.5 L=14						3	1.00
64	R	B1649161000	26226506	TENSION SPRING A-DJUSTING SCREW						1	1.00
65		NS6110360SP		NUT						1	
66		GBR11113000		LINK						1	

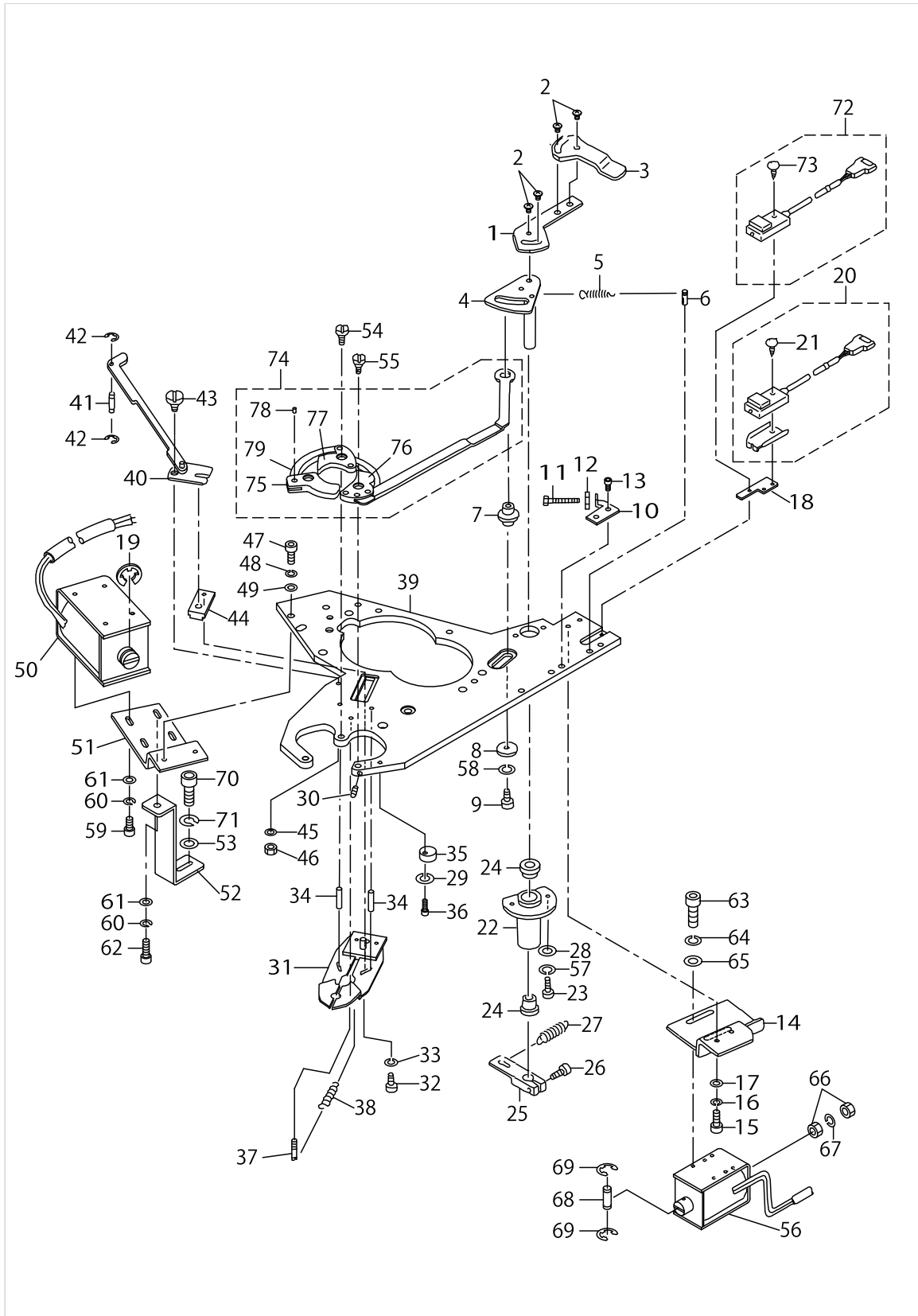
DRIVE CAM COMPONENTS



DRIVE CAM COMPONENTS

No.	Supply Code	Parts No.	Replacement	Parts name	Remarks	Choice	Step	Level	Cons	Qty	Rep. QTY
1	D	GBR01120000		COLLAR						1	
2		RC2500001KP		RETAINING RING 25						1	
3	D	18217950		START TIMING CAM ASM.						1	
4		16562803		HOOK						1	
5		NM6040001SC		NUT M4						1	
6		16562902		HINGE SCREW						1	
7		NM6050001SC		NUT M5						1	
8		SM8050602TP		SCREW M5 L=6						2	
9	D	18227553		HOLDING CLAMP DRIVE CAM ASM.						1	
10		B1426771000		SPRING						1	
11		18207209		DOUBLE CAM						1	
12		SM8050612TP		SCREW M5X6						1	
13		18207506		CAM SHAFT						1	
14		16560104		CAMSHAFTCOLLAR1						1	
15		16561607		SPINNER OSCILLATING ARM CAM						1	
16		SM8050812TP		SCREW M5X8						1	
17		GBR01168000		NEEDLE BEARING 3						2	
18		16562001		WORM WHEEL						1	
19		WP0641600SC		WASHEW6.4X12.5X1.6						4	
20		16562308		NEEDLE BEARING						1	
21		16560302		SENSOR DOCK						1	
22		SM8040602TP		SCREW M4X0.7 L=6						1	
23		16562100		WORM GEAR						1	
24		SM8050842TP		SETSCREW						1	
25		16561904		MOTOR KNOB						1	
26		SM8050602TP		SCREW M5 L=6						1	
27	R	GBR108590A0	HM000670000	DC MOTOR ASM.						1	1.00
28	D	HD000360000		PHOTO MICRO SENSOR						1	
29		SL4031081SC		SCREW M3 X 10						2	
30		SM8040402TP		SCREW M4X0.7 L=4						2	
31		SM8050842TP		SETSCREW						1	
32		16560203		CAMSHAFTCOLLAR2						1	
33		SM6062002TP		SCREW M6 L=20						4	
34		WS0610002KN		SPRING WASHER 6.1X12.2X1.5						4	

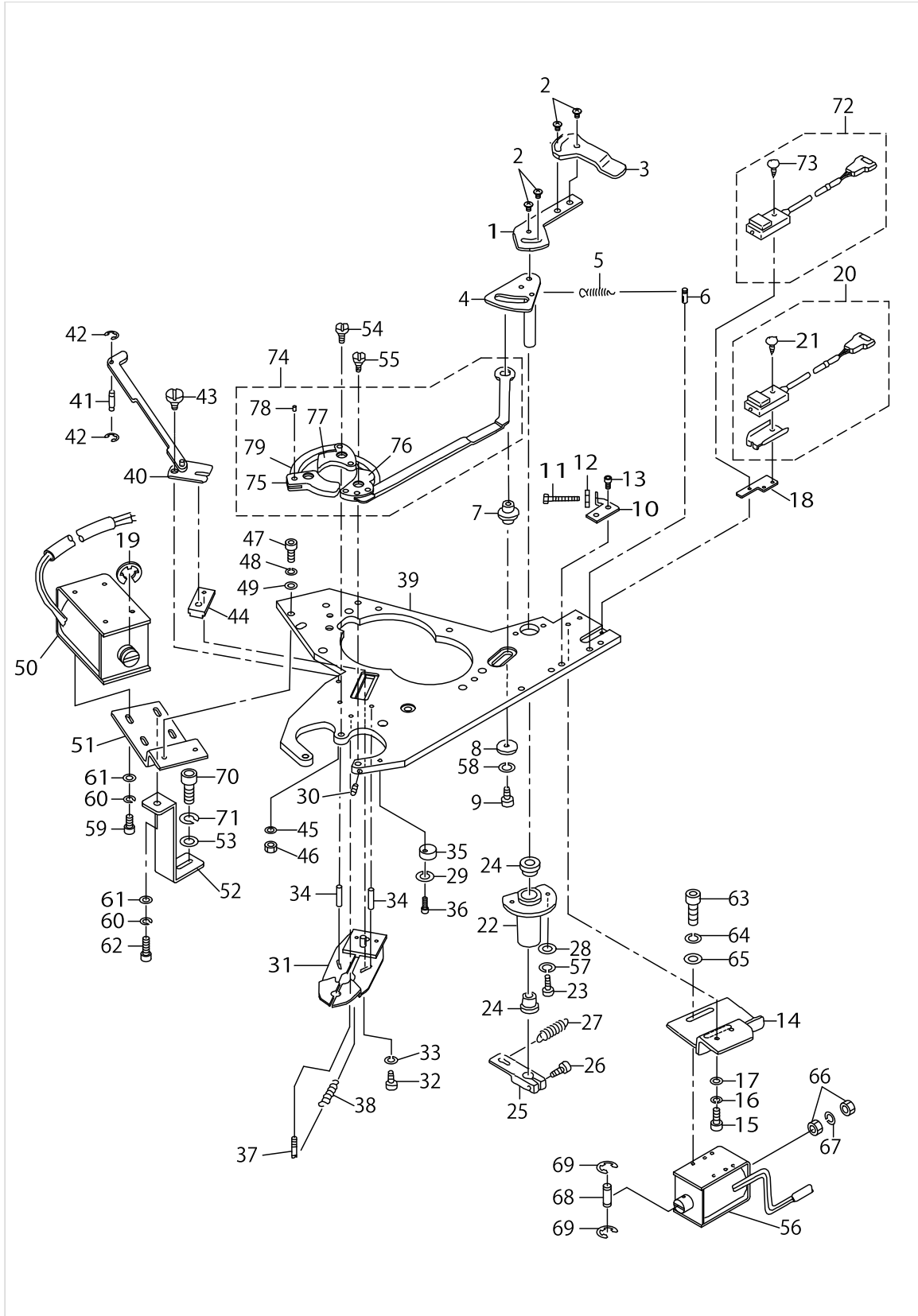
INDEX COMPONENTS (1)



INDEX COMPONENTS (1)

No.	Supply Code	Parts No.	Replacement	Parts name	Remarks	Choice	Step	Level	Cons	Qty	Rep. QTY
1		16566507		CHECK DOG						1	
2		SM0040601SC		SCREW M4X0.7 L=6						4	
3		16574105		DOG						1	
4		16566002		SPINNER CAM						1	
5		16553208		SPRING						1	
6		18218909		DW PIN 4X12						1	
7		16565707		SHAFT (1)						1	
8		B2107816000A		WASHER						1	
9		SM6041002TP		SCREW M4 L=10						1	
10	D	16566606		STOPPER BKT						1	
11		SM8042502TP		SCREW M4X0.7 L=25						1	
12		NM6040001SC		NUT M4						1	
13		SM6040802TR		SCREW M4X0.7 L=8						2	
14	D	16567000		BRACKET (1)						1	
15		SM6041002TP		SCREW M4 L=10						2	
16		WS0410002KN		SPRING WASHER						2	
17		WP0430800SC		WASHER M4						2	
18		16574006		BRACKET						1	
19		RE1200000K0		E-RING 12						1	
20		GBR108430A0		RUB COMPLETION SWITCH ASM.						1	
21	D	SM0861201SA		SCREW				*		1	
22		16565905		CUPLING						1	
23		SM6041002TP		SCREW M4 L=10						2	
24		16572406		METAL						2	
25		16566408		LINK LEVER						1	
26		SM6041202TP		SCREW M4X0.7 L=12						1	
27		18201608		SPRING, 2						1	
28		WP0430800SC		WASHER M4						2	
29		WP0430800SC		WASHER M4						1	
30		SM8030402TP		SCREW M3X0.5 L=4						1	
31		16567166		SHUTTER PLATE ASM.						1	
32		SM6041202TP		SCREW M4X0.7 L=12						1	
33		WS0410002KN		SPRING WASHER						1	
34		18204107		PIN						2	
35		18209502		ECCENTRIC STOPPER						1	
36		SM6041202TP		SCREW M4X0.7 L=12						1	
37		18219204		DW PIN 4*18						1	
38		16554008		SPRING						1	
39		18217505		TOP PLATE						1	
40		16567802		LINK PLATE						1	
41		16572505		PIN						1	
42		RE0250000K0		E-RING 2.5						2	
43		16567901		HING SCREW						1	
44		16573305		SLIDER BLOCK						1	
45		WS0410002KN		SPRING WASHER						2	
46		NM6040001SC		NUT M4						2	

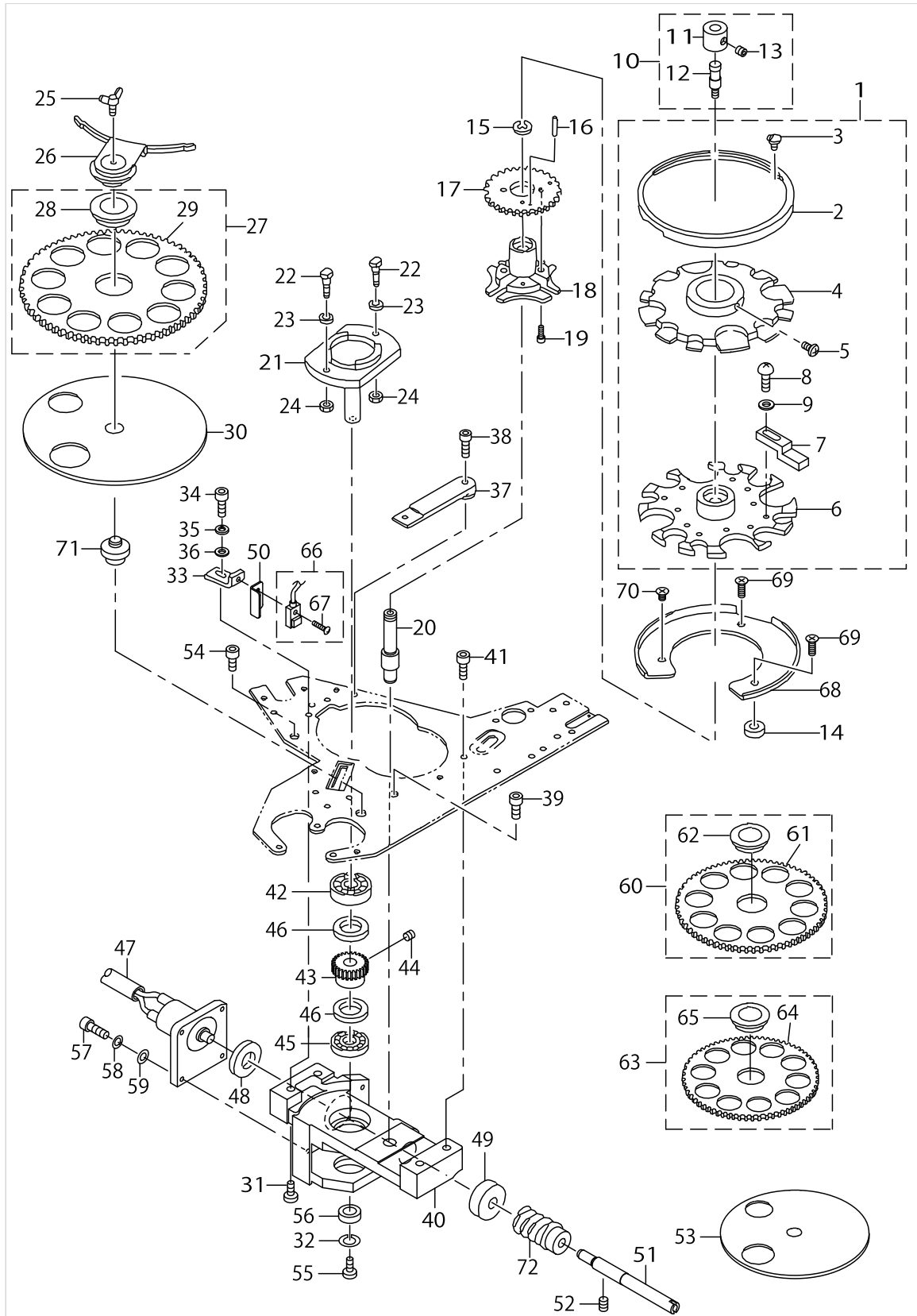
INDEX COMPONENTS (1)



INDEX COMPONENTS (1)

No.	Supply Code	Parts No.	Replacement	Parts name	Remarks	Choice	Step	Level	Cons	Qty	Rep. QTY
47		SM6041002TP		SCREW M4 L=10						2	
48		WS0410002KN		SPRING WASHER						2	
49		WP0430800SC		WASHER M4						2	
50		GBR10853000		MAGNET						1	
51		16568206		BRACKET (2)						1	
52		16574204		SUPPORT PLATE						1	
53		WP0641600SC		WASHEW6.4X12.5X1.6						1	
54		16565400		HING PIN (2)						2	
55		16565509		HING PIN (1)						1	
56		GBR10854000		MAGNET						1	
57		WS0410002KN		SPRING WASHER						2	
58		WS0410002KN		SPRING WASHER						1	
59		SM6040802TP		SCREW M4X0.7 L=8						3	
60		WS0410002KN		SPRING WASHER						4	
61		WP0430800SC		WASHER M4						4	
62		SM6041202TP		SCREW M4X0.7 L=12						1	
63		SM6040802TP		SCREW M4X0.7 L=8						2	
64		WS0410002KN		SPRING WASHER						2	
65		WP0430800SC		WASHER M4						2	
66		NM6040001SC		NUT M4						2	
67		WS0410002KN		SPRING WASHER						1	
68		16557209		PIN						1	
69		RE0200000K0		E-RING						2	
70		SM6061602TP		SCREW M6 L=16						1	
71		WS0610002KN		SPRING WASHER 6.1X12.2X1.5						1	
72		GBR108440A0		BUTTON SENSOR SWITCH ASM.						1	
73	D	SM0861201SA		SCREW M2.6 L=12				*		1	
74		18202150		CHECK ASM., A						1	
75		18204909		CHECK, E				*		1	
76		18202101		CHECK, C				*		1	
77		18202200		CHECK, D				*		1	
78		16572000		PIN				*		5	
79		16565301		STITCHTONGUELINK				*		2	

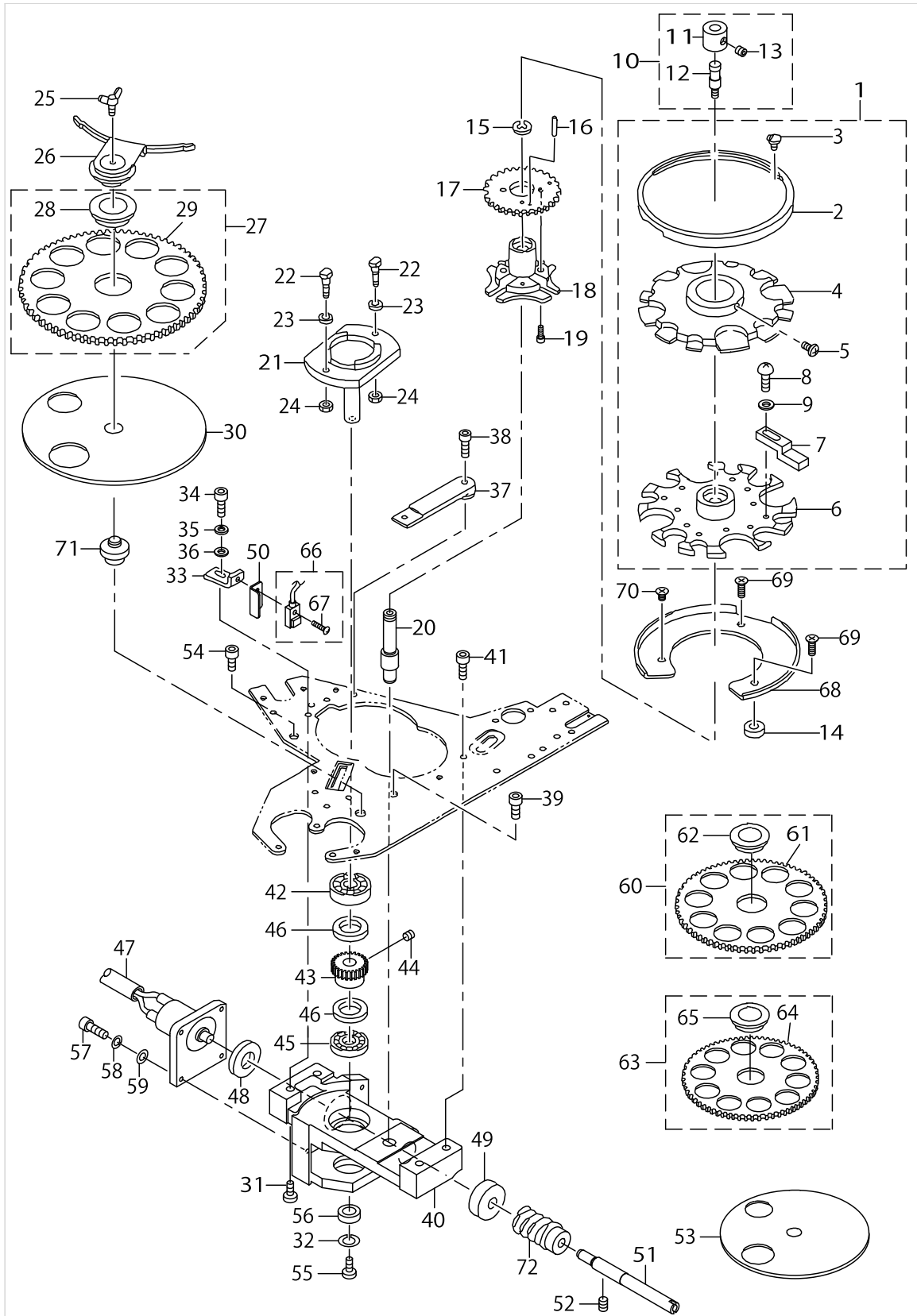
INDEX COMPONENTS (2)



INDEX COMPONENTS (2)

No.	Supply Code	Parts No.	Replacement	Parts name	Remarks	Choice	Step	Level	Cons	Qty	Rep. QTY
1	R	18201962	40163503	FEED ACROSS PLATE ASM. A						1	1.00
2		16573701		RING				*		1	
3		SM0040601SC		SCREW M4X0.7 L=6				*		2	
4	R	18203307	40163420	ADJUSTING PLATE				*		1	1.00
5		SL4030881SC		SCREW M3 L=8				*		1	
6	R	18201905	40163419	FEED PLATE A				*		1	1.00
7		18202002		BUTTON ADJUST A				*		8	
8		SM4860501SC		SCREW M 2.6 X 5				*		8	
9		WP0280500SC		WASHER				*		8	
10		18213454		LOCK SCREW ASM.						1	
11		18213405		LOCK COLLAR				*		1	
12		18213504		LOCK SHAFT				*		1	
13		SM8050502TP		SCREW M5 L=5				*		1	
14		16573008		COLLAR						2	
15		16571903		CLIP						1	
16		18204206		PIN						1	
17		16569600		GEAR						1	
18		16569501		GENEVA						1	
19		SM6030802TP		SCREW M3X0.5 L=8						2	
20		18219501		DIVIDING MAIN SHAFT						1	
21		16570103		WHEEL						1	
22		16570202		SCREW						2	
23		16570301		COLLAR						2	
24		NM6040001SC		NUT M4						2	
25		18204503		WING BOLT						1	
26		16568909		COVER CAP						1	
27		18200352		FEED PLATE CIRCLE 16 ASM.						1	
28		16572703		METAL				*		1	
29		18200303		FEED PLATE 16				*		1	
30		16568404		FERRULE DISC						1	
31		SM6052002TP		SCREW M5 L=20						1	
32		WS0410002KN		SPRING WASHER						1	
33		16570707		SENSOR BRACKET						1	
34		SM6040802TR		SCREW M4X0.7 L=8						1	
35		WS0410002KN		SPRING WASHER						1	
36		WP0430800SC		WASHER M4						1	
37		16570905		STAND PLATE (1)						1	
38		SM6041202TP		SCREW M4X0.7 L=12						1	
39		SM6051202TP		SCREW M5X0.8 L=12						1	
40		18219600		GENEVA HOUSE						1	
41		SM6051602TP		SCREW M5X0.8 L=16						3	
42		SB110000400		BALL BEARING						1	
43		16562001		WORM WHEEL						1	
44		SM8050602TP		SCREW M5 L=6						2	
45		16571804		BEARING A						1	
46		16573909		THRUST COLLAR						2	

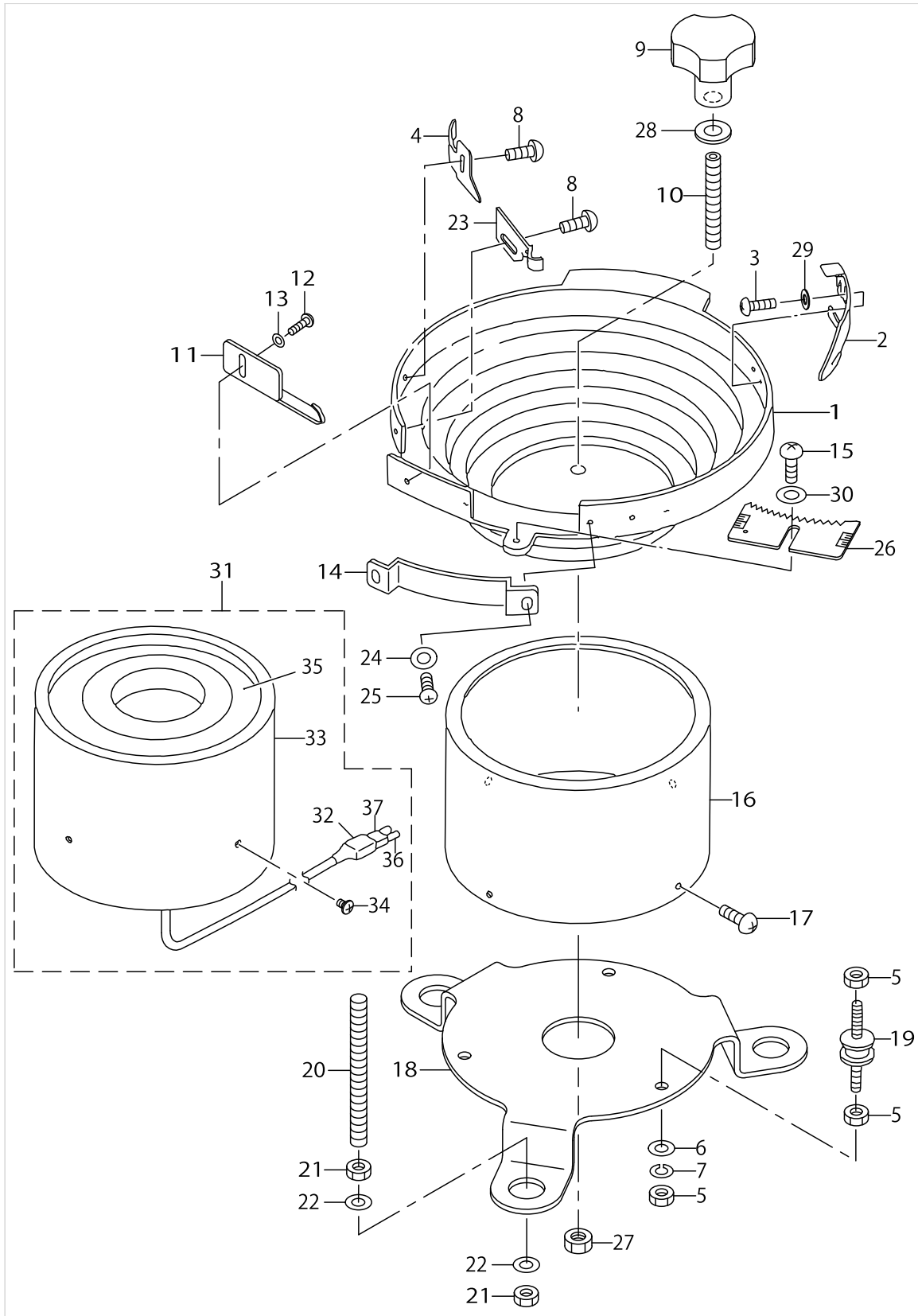
INDEX COMPONENTS (2)



INDEX COMPONENTS (2)

No.	Supply Code	Parts No.	Replacement	Parts name	Remarks	Choice	Step	Level	Cons	Qty	Rep. QTY
47		GBR108560A0		DC MOTOR ASM.						1	
48		16570509		THRUST COLLAR						1	
49		16571408		NEEDLE BEARING						1	
50		18212902		SENSOR COVER						1	
51		16570608		SHAFT						1	
52		SM8040402TP		SCREW M4X0.7 L=4						2	
53		18201103		HOLDING PLATE (SMALL)						1	
54		SM6051202TP		SCREW M5X0.8 L=12						1	
55		SM6041002TP		SCREW M4 L=10						1	
56		B2107816000		WASHER						1	
57		SM6030802TP		SCREW M3X0.5 L=8						4	
58		WS0310002KN		SPRING WASHER M3						4	
59		WP0320500SC		WASHER M3						4	
60		16568651		FEEDPLATE22BASM.						1	
61		16568602		FEED PLATE 22B				*		1	
62		16572703		METAL				*		1	
63		18200956		FEED PLATE CIRCLE 13.5 ASM.						1	
64		18200907		FEED PLATE 12.5				*		1	
65		16572703		METAL				*		1	
66		GBR108450A0		INDEX STARTING SWITCH ASM.						1	
67	D	SM0861201SA		SCREW				*		1	
68		16569204		REST						1	
69		SM1041201SC		SCREW M4 L=12						2	
70		SM1040601SC		SCREW M4X0.7 L=6						1	
71		18218008		SHAFT (2)						1	
72		16571606		WORM GEAR						1	

FEEDER BALL COMPONENTS



FEEDER BALL COMPONENTS

No.	Supply Code	Parts No.	Replacement	Parts name	Remarks	Choice	Step	Level	Cons	Qty	Rep. QTY
1		16577009		FEEDER BOWL						1	
2		GBR01426000		GUIDE PLATE						1	
3		SS4110815SP		SCREW 11/64-40 L=8						2	
4		GBR01441000		BUTTON STANDING PREVENT PLATE						1	
5		NM6060001SC		NUT M6						9	
6		WP0641600SC		WASHEW6.4X12.5X1.6						3	
7		WS0610002KN		SPRING WASHER 6.1X12.2X1.5						3	
8		SM4040801SN		SCREW M4 L=8						2	
9		18204602		BOWL FIXING KNOB						1	
10		SM8086012TP		SCREW M8 L=60						1	
11		16577504		SELECTOR PLATE						1	
12		SM4040801SN		SCREW M4 L=8						1	
13		WP0430800SC		WASHER M4						1	
14		GBR01428000		GUIDE PLATE						1	
15		SM4051001SN		SCREW M5						1	
16		16577207		P/F COVER						1	
17		SM0040601SC		SCREW M4X0.7 L=6						4	
18		40014217		P/F INSTALLING BASE						1	
19	R	16579203	40090800	RUBBER VIBRATION INSULATOR						3	1.00
20		16577306		MOUNTING BOLT						3	
21		NM6080001SC		NUT M8X1.25						6	
22		16577405		WASHER						6	
23		18202408		BUTTON GUIDE A						1	
24		WP0320500SC		WASHER M3						2	
25		SM4030601SN		SCREW M3 X 6						2	
26		GBR014220A0		SELECTION PLATE ASM. (SMALL)						1	
27		NM6080001SC		NUT M8X1.25						1	
28		WP0841601SC		WASHER 8.4X17.4X1.6						1	
29		WP0450801SD		WASHER 4.5X10X0.8						2	
30		WP0531000SC		WASHER 5.3X10X1						1	
31		GBR107910A0		PARTS FEEDER ALL ASM.	FOR SMAL- L-SIZED BUTTON					1	
32		HK004490020		CONNECTOR COVER				*		1	
33		16577207		P/F COVER				*		1	
34		SM0040601SC		SCREW M4X0.7 L=6				*		4	
35		GBR10791000		PARTS FEEDER				*		1	
36		HK004440020		2-POLE RECEPTACLE				*		1	
37		D6042555B00		PIN TERMINAL, FEMALE				*		2	

TABLE & COVER COMPONENTS

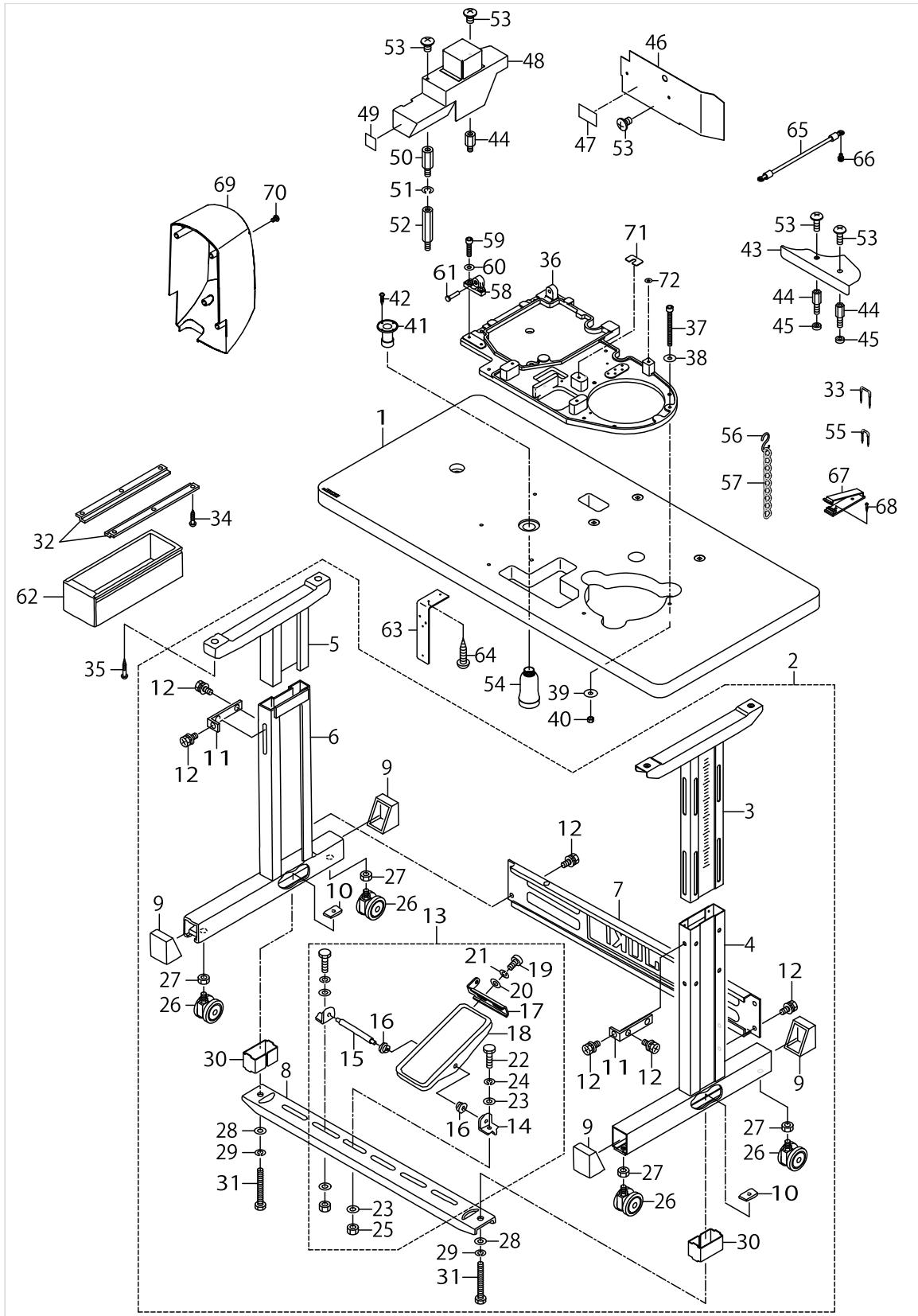


TABLE & COVER COMPONENTS

No.	Supply Code	Parts No.	Replacement	Parts name	Remarks	Choice	Step	Level	Cons	Qty	Rep. QTY
1		40014240		TABLE						1	
2		14191951		T-STAND COMPL.						1	
3		14118152		UPPER STAND ASM.,RIGHT				*		1	
4		14118251		STAND ASM.,RIGHT				*		1	
5		B8101210AAB		UPPER STAND ASM.				*		1	
6		B8105210AAA		STAND ASM.				*		1	
7	D	11158300		STAND SIDE SUPPORT				*		1	
8		11158409		STAND SIDE SUPPORT				*		1	
9		11158607		RUBBER CAP				*		4	
10		17007402		NUT				*		2	
11		11158516		UPPERSTANDPLATE				*		2	
12		SL9082091SE		WASHER HEXAGONAL BOLT				*		10	
13		13817754		Z-STAND PEDAL ASM.				*		1	
14		11159001		PEDAL SHAFT BRACKET				*		2	
15		B8153771000		PEDAL CONNECTING ROD				*		1	
16		D8113555B00		PEDAL BUSHING				*		2	
17		GPF06080000		PEDAL ADJUSTING PLATE				*		1	
18		GPF060600A0		PEDAL ASM.				*		1	
19		SM9061203SE		SCREW M6 L=12				*		2	
20		WP0671016SE		WASHER 6.7X13X1				*		2	
21		WS0621210KR		SPRING WASHER 6.2X11.4X1.2				*		2	
22		SM9082023SE		SCREW M8 L=20				*		2	
23		WP0871602SE		WASHER 8.7X18X1.6				*		4	
24		WS0861410KR		SPRING WASHER 8.6X15X1.4				*		2	
25		NM6080721SE		NUT M8				*		2	
26		B8150210000		CASTER				*		4	
27		NM6120003SE		NUT M12				*		4	
28		WP0871602SE		WASHER 8.7X18X1.6				*		2	
29		WS0861410KR		SPRING WASHER 8.6X15X1.4				*		2	
30		11159506		STRUT AUXILIARY PLATE				*		2	
31		SM9086523SE		HEXAGONAL BOLT				*		2	
32		11155207		DRAWER SUPPORT						2	
33		D8204555D00		DRAWER STOPPER						3	
34		SK3311601SE		WOOD SCREW D=3.1 L=16						6	
35		SK3483201SE		WOOD SCREW D=4.8 L=32						4	
36		40014216		BASE						1	
37		SM6066552TP		BOLT						6	
38		WP0612056SD		WASHER 6.1X18.5X2						6	
39		WP0651646SC		WASHER						6	
40		NM6060001SC		NUT M6						6	
41		B8202205000		OIL MANAGEMENT						1	
42		SK3311601SE		WOOD SCREW D=3.1 L=16						4	
43		18222604		FRONT COVER A						1	
44		HX003390000		STUD						3	
45		B3052816000		WASHER						2	
46		40014221		FRONT COVER B						1	

TABLE & COVER COMPONENTS

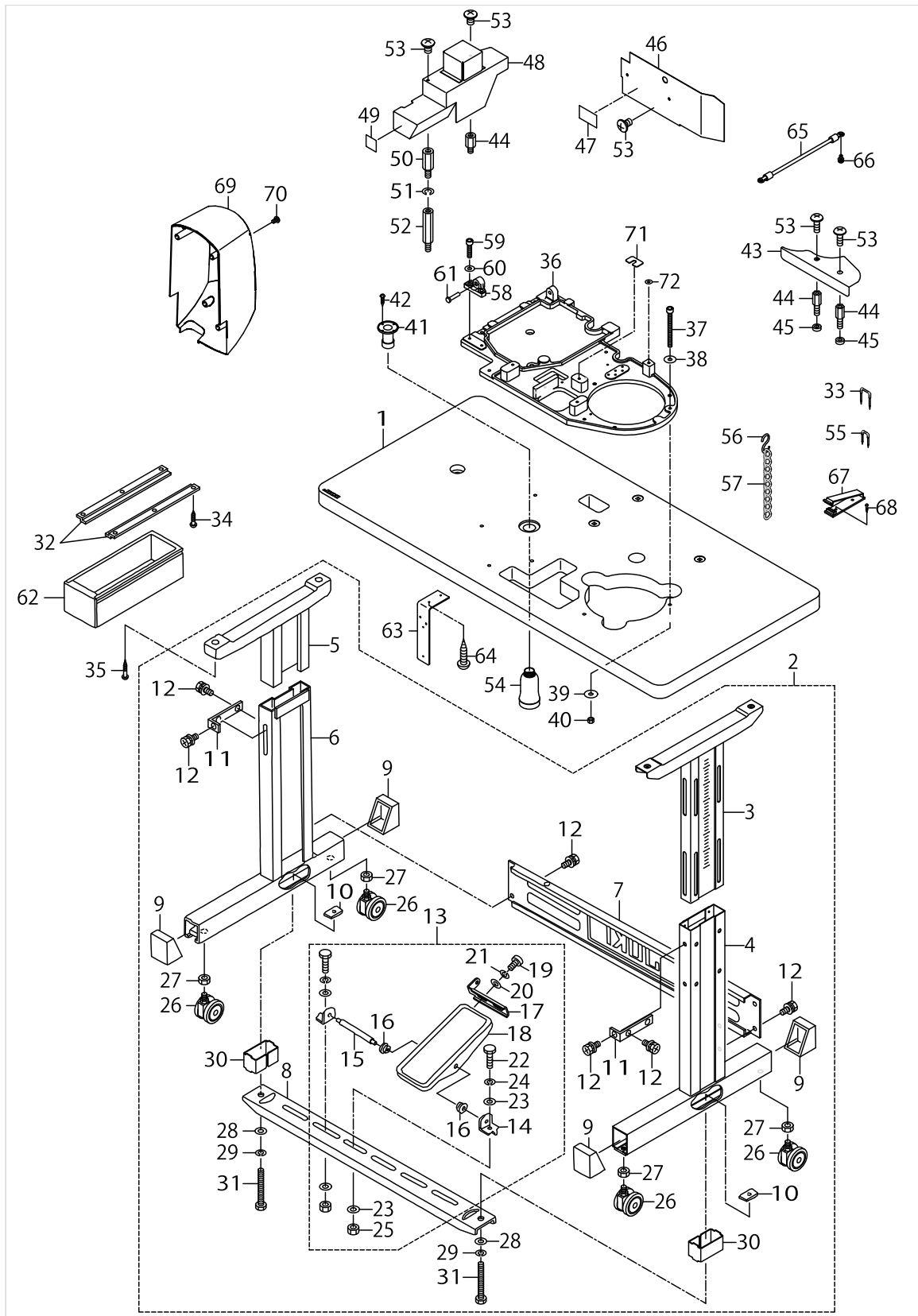
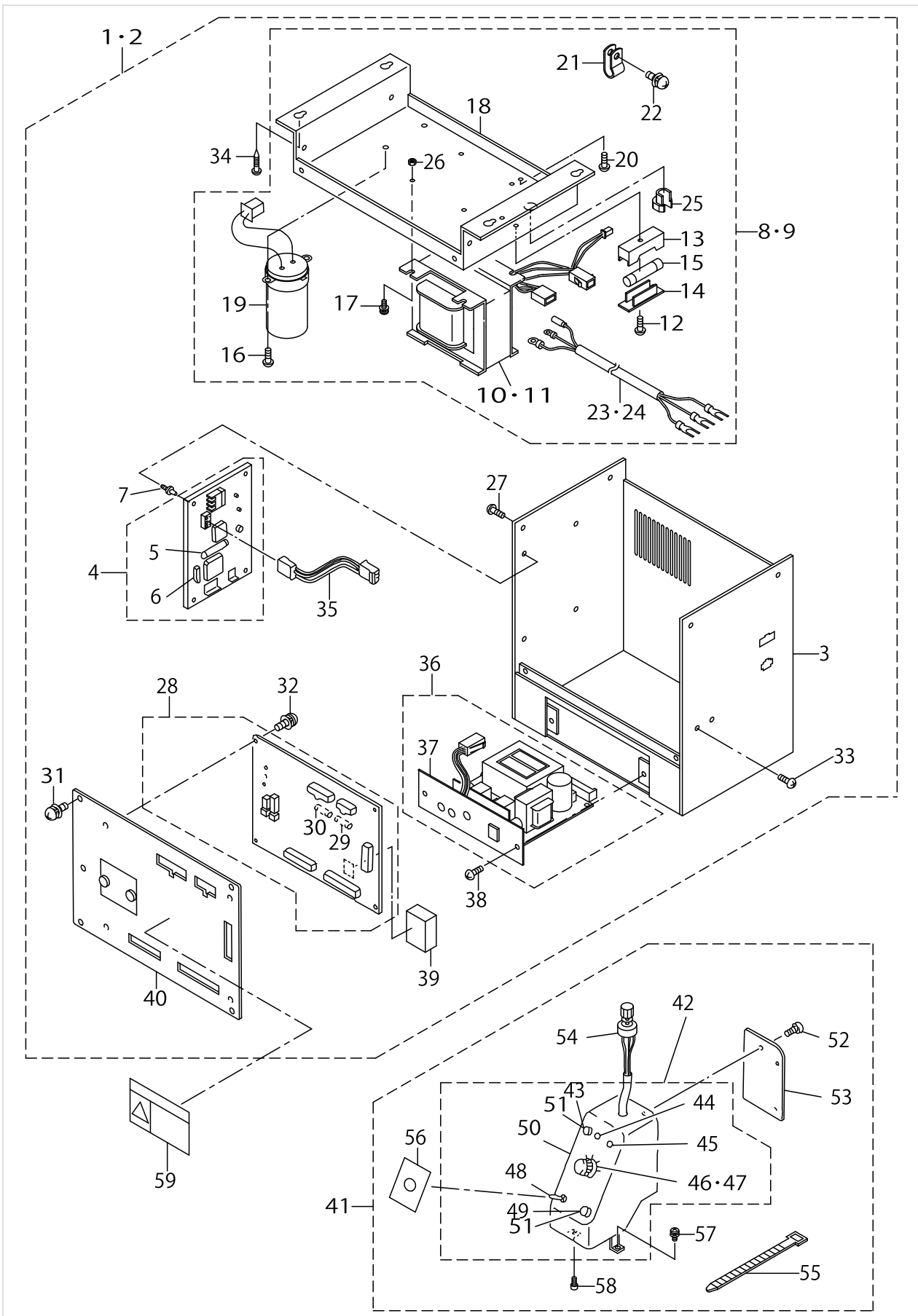


TABLE & COVER COMPONENTS

No.	Supply Code	Parts No.	Replacement	Parts name	Remarks	Choice	Step	Level	Cons	Qty	Rep. QTY
47		CM3002002B1		SAFETY LABEL 13	FOR USE IN JAPAN AND GENERAL EXPORT					1	
48	R	40014220	40014223	HEAD COVER						1	1.00
49		16586505		DANGER PREVENTION STICKER						1	
50	R	18228106	E3724715000	SPACER B						1	1.00
51		WS0410002KN		SPRING WASHER						1	
52		HX00339000B		BOARD PARTS						1	
53		SM0040601SA		SCREW						6	
54		B9121012000		OIL CAN						1	
55		MAO11532000		CORD STAPLE						11	
56	R	B8133019000	13160304	S SHAPED HOOK						2	1.00
57	R	B8103980000	26037903	CHAIN						1	1.00
58	D	GBR25006000		HEAD FIXING HINGE						1	
59		SM6062502TP		SCREW M6 L=25						2	
60		WP0611626SP		WASHER 15X6X1.6						2	
61		D2431555B00		THREAD TRIMMER SHAFT						2	
62	R	11155108	11155157	DRAWER						1	1.00
63		B5542205000		TERMINAL BRACKET						1	
64		SK3311601SE		WOOD SCREW D=3.1 L=16						2	
65		GBR308650A0		BASE EARTH CORD ASM.						1	
66		SL4041091SC		SCREW M4 L=10						1	
67		M964051000A		CABLE CLIP						1	
68		SK3382001SE		SCREW D=3.8 L=20						2	
69		40006475		MOTOR COVER						1	
70		SM5040855SN		SCREW						4	
71		GBR25010000		BODY FRAME SPACER A						3	
72		WP0621036SP		WASHER						1	

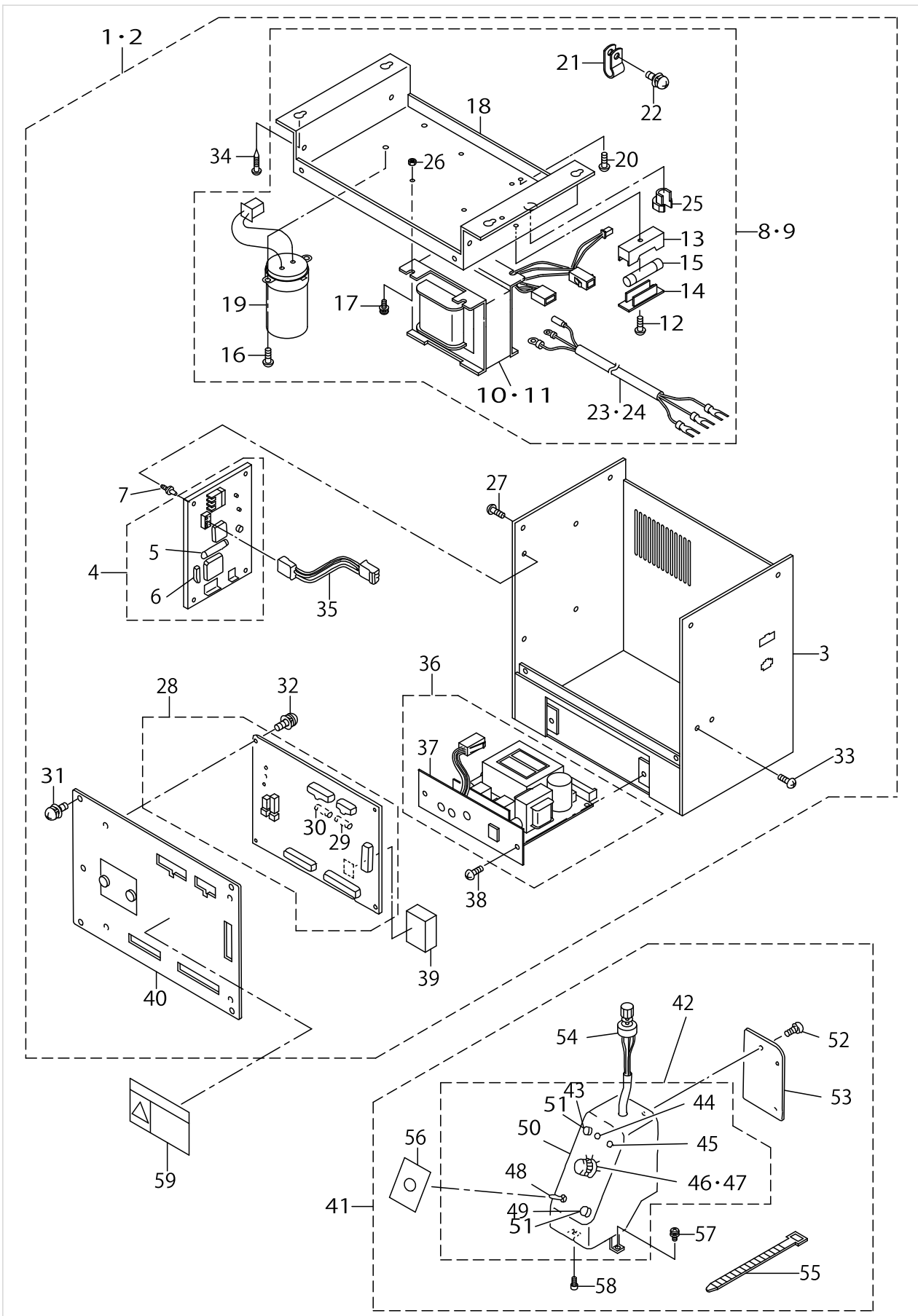
BR CONTROL BOX COMPONENTS (FOR USE IN JAPAN AND GENERAL EXPORT)



BR CONTROL BOX COMPONENTS (FOR USE IN JAPAN AND GENERAL EXPORT)

No.	Supply Code	Parts No.	Replacement	Parts name	Remarks	Choice	Step	Level	Cons	Qty	Rep. QTY
1		40014506		CONTROLBOXBASM	FOR USE IN JAPAN AND GENERAL EXPORT					1	
2		40014495		CONTROLBOXAASM	OPTIONAL PARTS					1	
3	D	GBR107240A0		CONTROL BOX FRAME BODY ASM.				*		1	
4	R	GBR107610A0	40046093	POWER BOARD		A		*		1	1.00
4	R	GBR107610A0	40058552	POWER BOARD		A		*		1	1.00
5		E9613601000		FUSE 2A				*		1	
6		HA002980000		BREAKER 5A				*		1	
7		HX00228000A		SPACER				*		4	
8	D	GBR107460AB		TRANS BASE B COMPLE.	FOR USE IN JAPAN AND GENERAL EXPORT			*		1	
9		GBR107460AA		TRANS BASE A COMPLE.	OPTIONAL PARTS			*		1	
10		GBR107480AA		TRANS A ASM.	OPTIONAL PARTS			*		1	
11		GBR107480AB		TRANS B ASM.	FOR USE IN JAPAN AND GENERAL EXPORT			*		1	
12		SM4041001SC		SCREW M4X0.7 L=10				*		1	
13		HF005111000		FUSE HOLDER				*		1	
14	D	HF00511100B		FUSEHOLDERCOVER				*		1	
15		E9613601000		FUSE 2A				*		1	
16		SL4030681SC		SCREW M3 L=6				*		2	
17		SL4041291SC		SCREW M4 L=12				*		4	
18	D	GBR10747000		TRANSFORMER BASE				*		1	
19	R	GBR107430A0	40058552	CONDENSER ASM.		A		*		1	1.00
19	R	GBR107430A0	40046093	CONDENSER ASM.		A		*		1	1.00
20		SL4040891SC		SCREW M4 L=8				*		2	
21		HX00150000B		CABLE CLIP				*		1	
22		SL4030881SC		SCREW M3X8				*		1	
23		GBR107450A0		AC INPUT POWER CABLE CORD ASM.	OPTIONAL PARTS			*		1	
24	D	GBR107440A0		AC INPUT POWER CABLE CORD ASM.	FOR USE IN JAPAN AND GENERAL EXPORT			*		1	
25		HX000980000		CORD BUSH				*		1	
26		NM6040001SF		NUT M4				*		4	
27		SL4040891SC		SCREW M4 L=8				*		4	
28	R	GBR107510A0	40058552	CPU BOARD ASM.		A	BR-10	*		1	1.00
28	R	GBR107510A0	40049608	CPU BOARD ASM.		A	BR-10	*		1	1.00
28	R	GBR107510A0	40058552	CPU BOARD ASM.		B	BR-35	*		1	1.00
28	R	GBR107510A0	40044386	CPU BOARD ASM.		B	BR-35	*		1	1.00
28	R	GBR107510A0	40063649	CPU BOARD ASM.		C	BR-20, BR-25, BR-30	*		1	1.00
29		HF0084020P0		FUSE 2A				*		1	
30		HF0084063P0		FUSE				*		1	
31		SL4040891SC		SCREW M4 L=8				*		4	
32		SL4030681SC		SCREW M3 L=6				*		4	
33		SL4040891SC		SCREW M4 L=8				*		2	
34		SK3452501SE		SCREW D=4.5 L=25				*		4	
35		GBR107720A0		CPU BOARD POWER CORD ASM.				*		1	
36		GBR107740A0		P/F CONTROLLER ASM.				*		1	

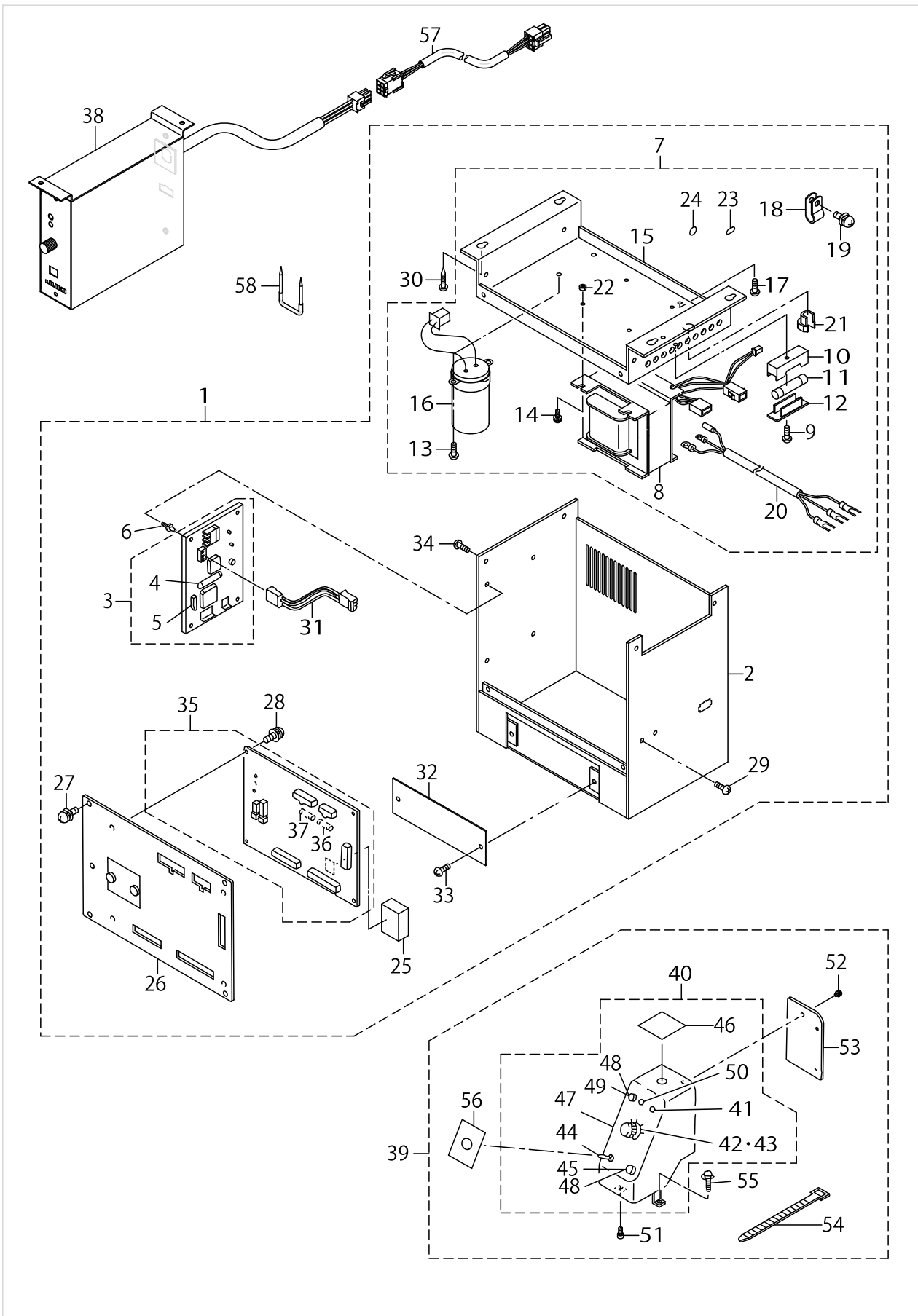
BR CONTROL BOX COMPONENTS (FOR USE IN JAPAN AND GENERAL EXPORT)



BR CONTROL BOX COMPONENTS (FOR USE IN JAPAN AND GENERAL EXPORT)

No.	Supply Code	Parts No.	Replacement	Parts name	Remarks	Choice	Step	Level	Cons	Qty	Rep. QTY
37		GBR10775000		P/F PANEL				*		1	
38		SM5040601SC		SCREW M4X0.7 L=6				*		2	
39		HL008730140		IC				*		1	
40		GBR207340A0		CONTROL BOX FRAME COVER ASM.				*		1	
41		GBR30784AA0		OPERATION PANEL WHOLE ASM. (A)						1	
42		GBR107850A0		PANEL ASM.				*		1	
43		HA00191001B		OPERATION BUTTON				*		1	
44		HG00291000A		LED (GREEN)				*		1	
45	D	HG002910000		LAMP				*		1	
46		HA002900000		DIP SWITCH				*		1	
47		HX00114000A		KNOB				*		1	
48		MA014506000		SWITCH				*		1	
49		HA00191001C		SWITCH KNOB,BLACK				*		1	
50		GBR10786000		PANEL BOX				*		1	
51		HA001910000		PUSH SWITCH 3 TERMINAL				*		2	
52		SL4030681SC		SCREW M3 L=6				*		3	
53		GBR10782000		PANEL BOX BACK COVER				*		1	
54		GBR107870A0		VOLUME ASM.				*		1	
55		EA9500B0100		CABLE BAND				*		1	
56		GBR30788000		SHEEL				*		1	
57		SL4041091SC		SCREW M4 L=10				*		1	
58		SM6040802TN		SCREW				*		1	
59		CM300100101		DANGER LABEL (SMALL)	ACCESSO- RIE PARTS					1	

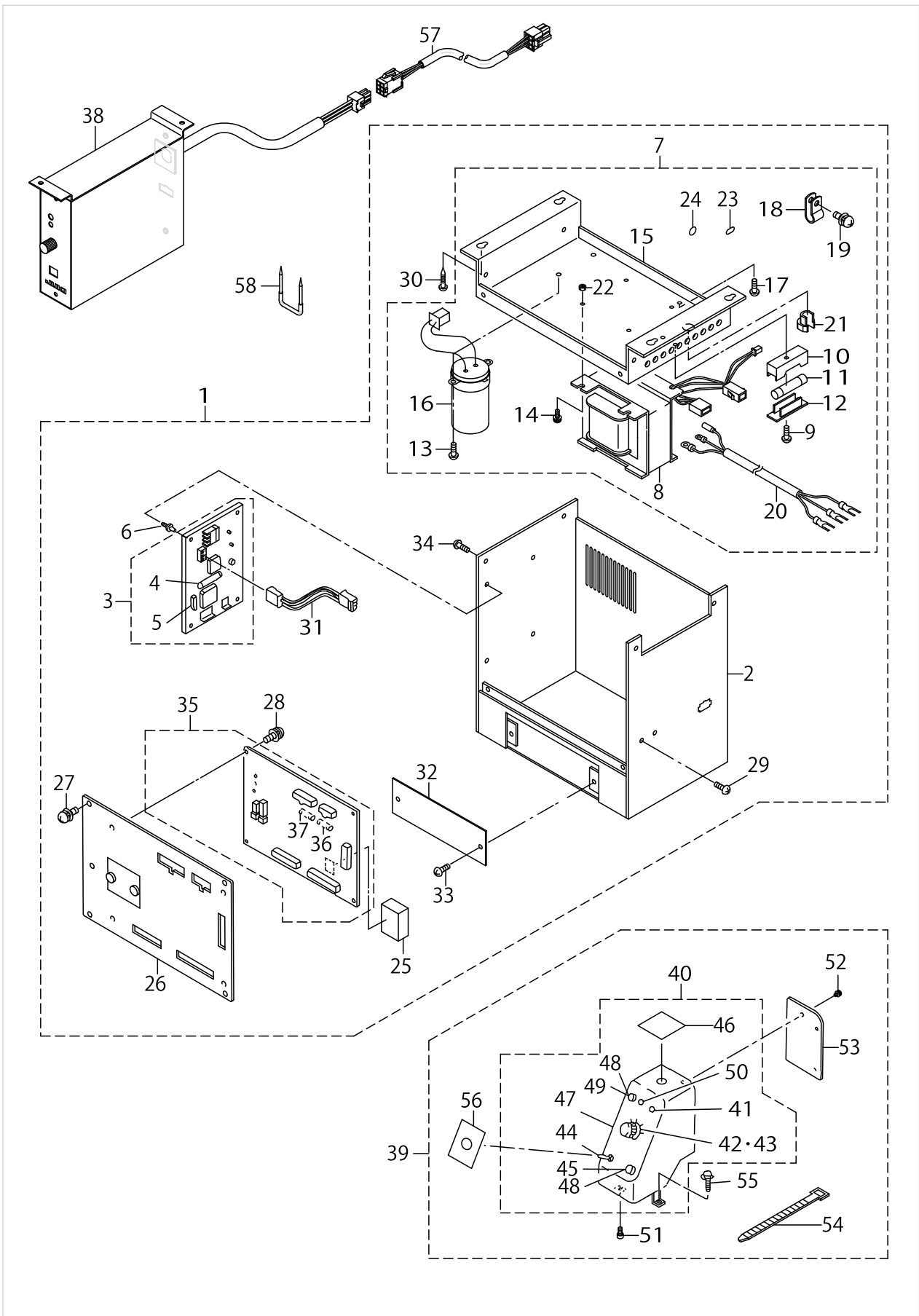
BR CONTROL BOX COMPONENTS (FOR EUROPE)



BR CONTROL BOX COMPONENTS (FOR EUROPE)

No.	Supply Code	Parts No.	Replacement	Parts name	Remarks	Choice	Step	Level	Cons	Qty	Rep. QTY
1		40014526		CONTROLBOXCASM						1	
2		GBR107240AC		CONTROL BOX FRA- ME BODY C ASM.				*		1	
3	R	GBR107610A0	40046093	POWER BOARD		A		*		1	1.00
3	R	GBR107610A0	40058552	POWER BOARD		A		*		1	1.00
4		E9613601000		FUSE 2A				*		1	
5		HA002980000		BREAKER 5A				*		1	
6		HX00228000A		SPACER				*		4	
7		GBR107460AC		TRANS BASE C COMPLE.				*		1	
8		GBR107480AC		TRANS C ASM.				*		1	
9		SM4041001SC		SCREW M4X0.7 L=10				*		1	
10		HF005111000		FUSE HOLDER				*		1	
11		E9613601000		FUSE 2A				*		1	
12	D	HF00511100B		FUSEHOLDERCOVER				*		1	
13		SL4030681SC		SCREW M3 L=6				*		2	
14		SL4041291SC		SCREW M4 L=12				*		4	
15	D	GBR10747000		TRANSFORMER BASE				*		1	
16	R	GBR107430A0	40058552	CONDENSER ASM.		A		*		1	1.00
16	R	GBR107430A0	40046093	CONDENSER ASM.		A		*		1	1.00
17		SL4040891SC		SCREW M4 L=8				*		3	
18		HX00150000B		CABLE CLIP				*		1	
19		SL4030881SC		SCREW M3X8				*		1	
20	D	GBR107440A0		AC INPUT POWER CABLE CORD ASM.				*		1	
21		HX000980000		CORD BUSH				*		1	
22		NM6040001SF		NUT M4				*		4	
23		CM200100001		PE MARK LABEL				*		1	
24	R	10004109	22901805	GROUND MARK				*		1	1.00
25		HL008730143		IC				*		1	
26		GBR207340A0		CONTROL BOX FRA- ME COVER ASM.				*		1	
27		SL4040891SC		SCREW M4 L=8				*		4	
28		SL4030681SC		SCREW M3 L=6				*		4	
29		SL4040891SC		SCREW M4 L=8				*		2	
30		SK3452501SE		SCREW D=4.5 L=25				*		4	
31		GBR107720A0		CPU BOARD POWER CORD ASM.				*		1	
32		GBR10726000		BLIND PLATE				*		1	
33		SM5040601SC		SCREW M4X0.7 L=6				*		2	
34		SL4040891SC		SCREW M4 L=8				*		4	
35	R	GBR107510A0	40058552	CPU BOARD ASM.		A	BR-10	*		1	1.00
35	R	GBR107510A0	40049608	CPU BOARD ASM.		A	BR-10	*		1	1.00
35	R	GBR107510A0	40058552	CPU BOARD ASM.		B	BR-35	*		1	1.00
35	R	GBR107510A0	40044386	CPU BOARD ASM.		B	BR-35	*		1	1.00
35	R	GBR107510A0	40063649	CPU BOARD ASM.		C	BR-20, BR-25, BR-30	*		1	1.00
36		HF0084020P0		FUSE 2A				*		1	
37		HF0084063P0		FUSE				*		1	
38		GBR108010A0		P/F CONTROLLER ASM.						1	
39		40016644		OPERATION PANEL WHOLE ASM. C						1	

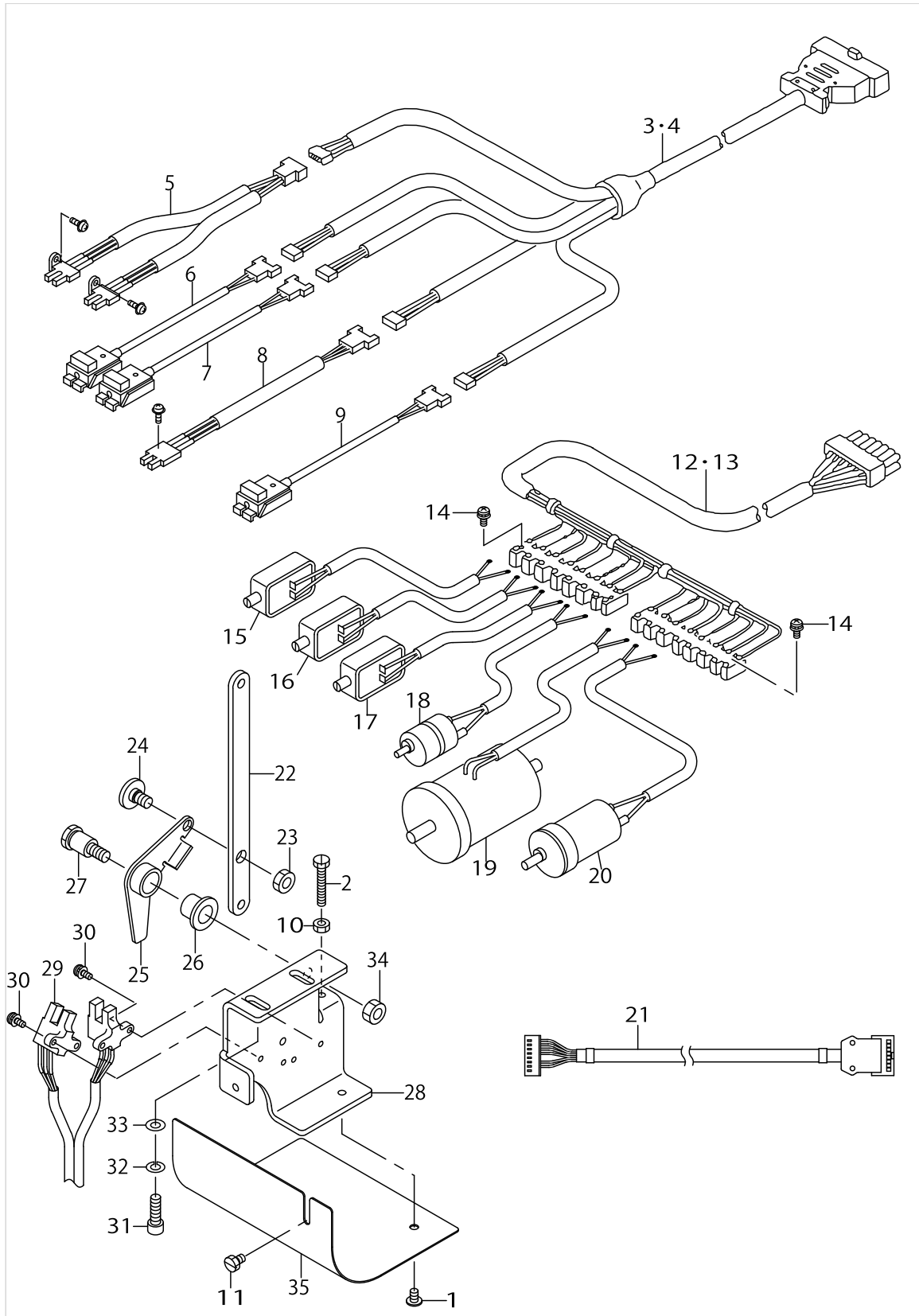
BR CONTROL BOX COMPONENTS (FOR EUROPE)



BR CONTROL BOX COMPONENTS (FOR EUROPE)

No.	Supply Code	Parts No.	Replacement	Parts name	Remarks	Choice	Step	Level	Cons	Qty	Rep. QTY
40		GBR107850AC		PANEL C ASM.				*		1	
41	D	HG002910000		LAMP				*		1	
42		HA002900000		DIP SWITCH				*		1	
43		HX00114000A		KNOB				*		1	
44		MAO14506000		SWITCH				*		1	
45		HA00191001C		SWITCH KNOB,BLACK				*		1	
46		GBR10728000		BLANK STICKER B				*		1	
47		GBR10786000		PANEL BOX				*		1	
48		HA001910000		PUSH SWITCH 3 TERMINAL				*		2	
49		HA00191001B		OPERATION BUTTON				*		1	
50		HG00291000A		LED (GREEN)				*		1	
51		SM6040802TN		SCREW				*		1	
52		SL4030681SC		SCREW M3 L=6				*		3	
53		GBR10782000		PANEL BOX BACK COVER				*		1	
54		EA9500B0100		CABLE BAND				*		1	
55		SL4041091SC		SCREW M4 L=10				*		1	
56		GBR30788000		SHEEL				*		1	
57		GBR250810A0		CABLE ASM.						1	
58		MAO11532000		CORD STAPLE						4	

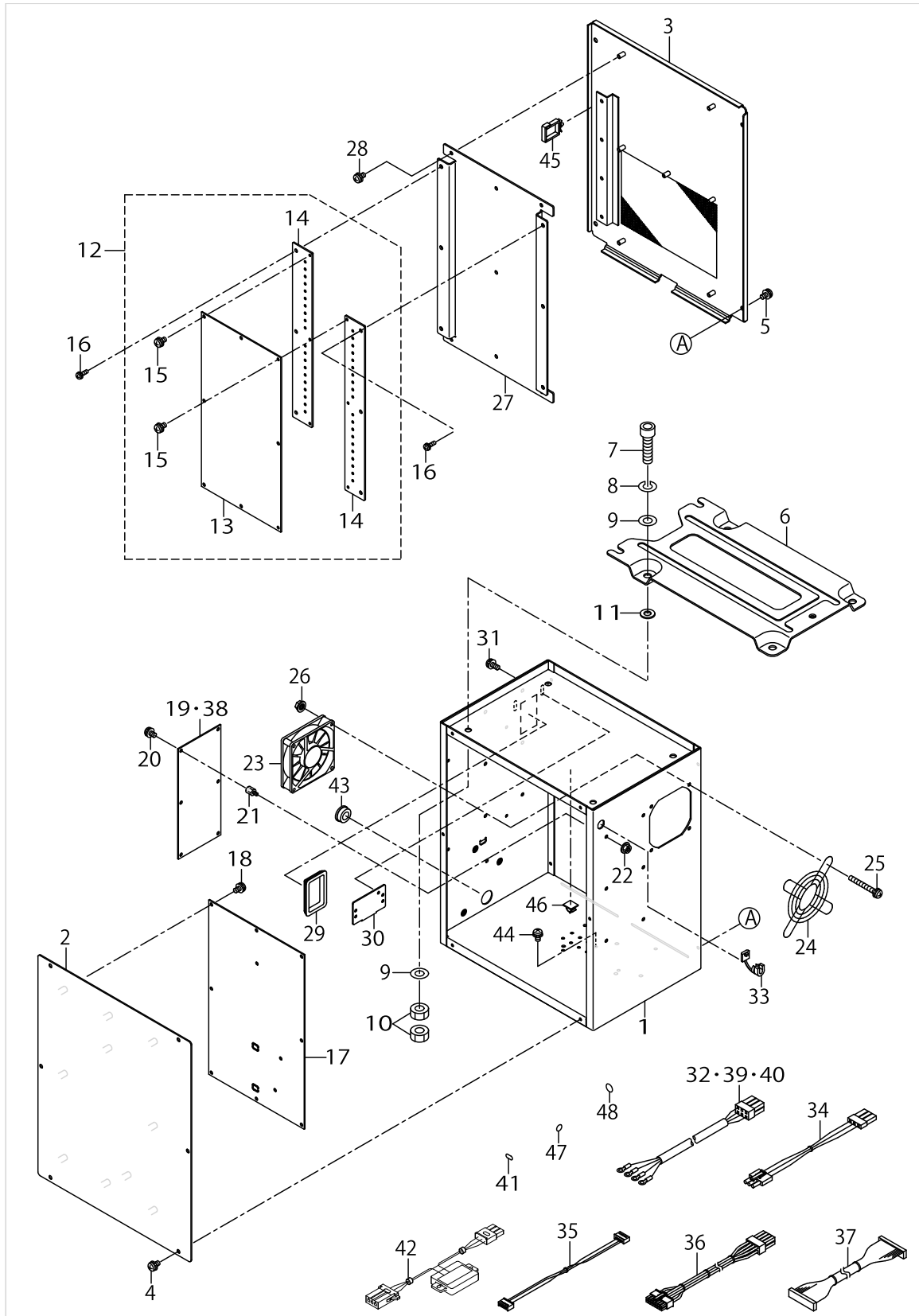
BR POWER SUPPLY COMPONENTS



BR POWER SUPPLY COMPONENTS

No.	Supply Code	Parts No.	Replacement	Parts name	Remarks	Choice	Step	Level	Cons	Qty	Rep. QTY
1		SM0040601SC		SCREW M4X0.7 L=6						1	
2	D	SM9042510SC		SCREW M4X0.7 L=25						1	
3		GBR108460A0		SENSOR CONNECTI- NG CABLE ASM.						1	
4		GBR108460AC		SENSOR CONNECTI- NG CABLE ASM.						1	
5	R	GBR108420A0	GBR108410B0	START SWITCH ASM.		A	JE以外/Except JE			1	1.00
5	R	GBR108420A0	GBR108410BC	START SWITCH ASM.		B	JE			1	1.00
6		GBR108430A0		RUB COMPLETION SWITCH ASM.						1	
7		GBR108440A0		BUTTON SENSOR SWITCH ASM.						1	
8	R	GBR108470A0	40084371	TURNING ARM HOM- E POSITION SENS						1	1.00
9		GBR108450A0		INDEX STARTING SWITCH ASM.						1	
10		NM6040001SC		NUT M4						1	
11		SM9040600SP		HEAXGON BOLT						1	
12		GBR108580A0		STARTING MAGNET CABLE ASM.						1	
13		GBR108580AC		STARTING MAGNET CABLE ASM.						1	
14		SL4030881SC		SCREW M3X8						2	
15		GBR10852000		MAGNET						1	
16		GBR10853000		MAGNET						1	
17		GBR10854000		MAGNET						1	
18		GBR108550A0		DC MOTOR ASM.						1	
19	R	GBR108590A0	HM000670000	DC MOTOR ASM.						1	1.00
20		GBR108560A0		DC MOTOR ASM.						1	
21		40012037		LKA-BR RELAY CABLE ASM						1	
22		40014219		SWITCH LINK						1	
23		NS6150430SP		NUT 15/64-28						1	
24		SD0700332SP		HINGE SCREW D= 7 H= 3.5						1	
25		18219907		TWO-STEP SWITCH LEVER						1	
26		16583403		METAL						1	
27		16582504		SCREW						1	
28		16582603		SWITCH BRACKET						1	
29	R	GBR108420A0	GBR108410B0	START SWITCH ASM.		A	JE以外/Except JE			1	1.00
29	R	GBR108420A0	GBR108410BC	START SWITCH ASM.		B	JE			1	1.00
30		SL4030881SC		SCREW M3X8						4	
31		SM6051602TP		SCREW M5X0.8 L=16						2	
32		WS0510002KN		SPRING WASHER						2	
33		WP0531000SC		WASHER 5.3X10X1						2	
34		NM6060001SC		NUT M6						1	
35		16582702		SWITCH COVER						1	

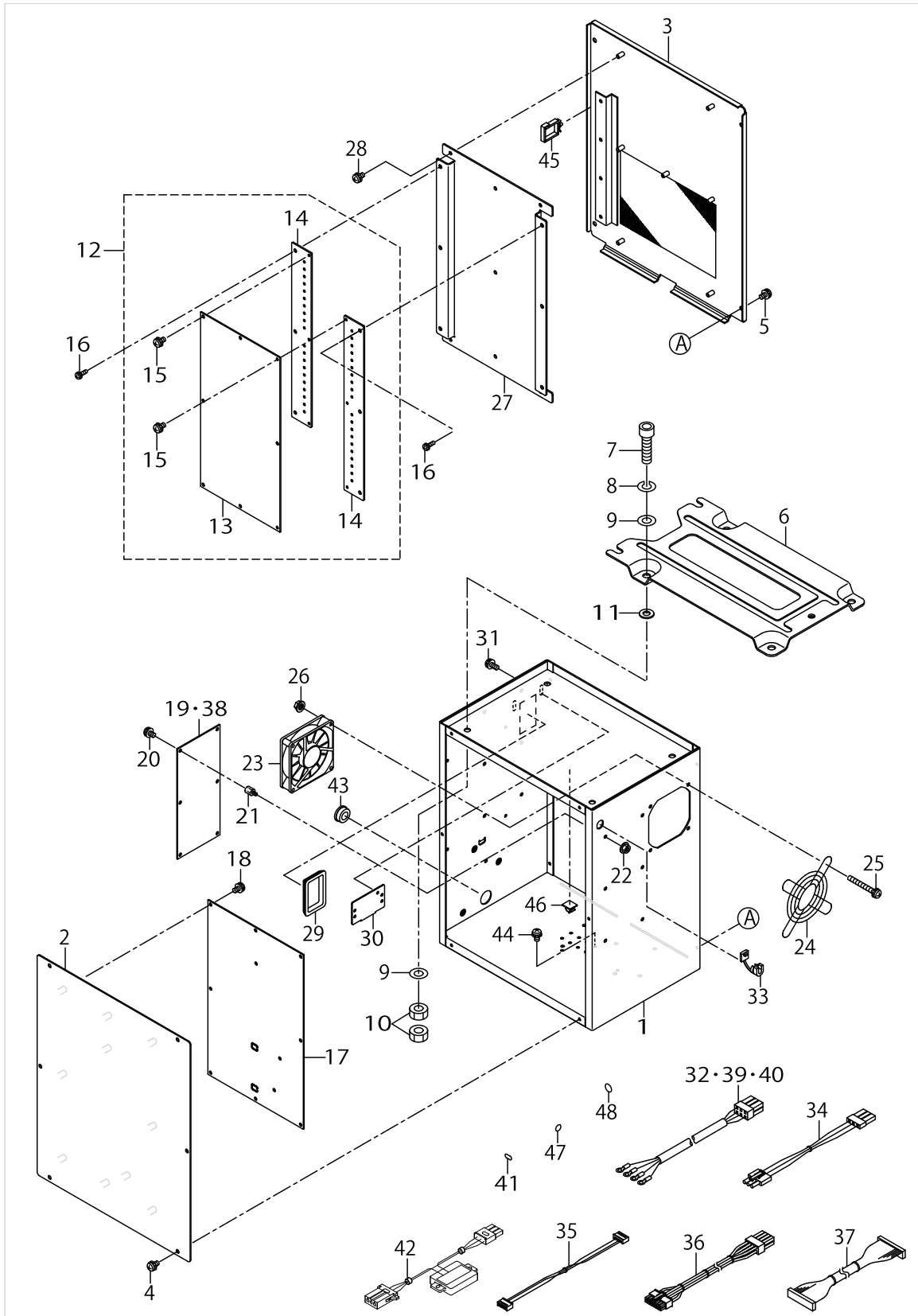
CONTROL BOX COMPONENTS



CONTROL BOX COMPONENTS

No.	Supply Code	Parts No.	Replacement	Parts name	Remarks	Choice	Step	Level	Cons	Qty	Rep. QTY
1	R	40003451	40055355	CONTROL BOX						1	1.00
2	D	40003452		CONTROL BOX FRONT COVER						1	
3		40003453		CONTROL BOX REAR COVER						1	
4		SL4040891SC		SCREW M4 L=8						6	
5		SL4040891SC		SCREW M4 L=8						4	
6		M3801476000		TRANSMISSION BOX FITTING PLATE						1	
7		SM6083002TN		SCREW M8 L=30						4	
8		WS0820002KR		SPRING WASHER, M8						4	
9		WP0841601SC		WASHER 8.4X17.4X1.6						8	
10		NM6080001SC		NUT M8X1.25						8	
11		M4206461000		WASHER						4	
12		40005648		MAIN PCB ASS'Y						1	
13	R	40005641	40005648	MAIN PCB				*		1	1.00
14		40005705		MAIN PCB HEAT SINK				*		2	
15		SL4031081SF		SCREW M3 L=10				*		6	
16		SL4040891SC		SCREW M4 L=8						6	
17	R	40000029	40082758	SDC PCB A ASS'Y						1	1.00
18		SL4040881SC		SCREW M4 L=8						10	
19		40000056		FLT-T PCB A ASS'Y	FOR USE IN JAPAN AND GENERAL EXPORT					1	
20		SL4040881SC		SCREW M4 L=8						6	
21		HX003390000		STUD						6	
22		NM3040520SC		NUT M4						6	
23		40005401		FAN MOTOR ASS'Y						1	
24		HM000480010		FINGER GUARD						1	
25		SL4043591SC		SCREW						4	
26		NM3040520SC		NUT M4						4	
27		40005706		MAIN PCB HOLDER PLATE						1	
28		SL4040881SC		SCREW M4 L=8						5	
29		HX004070000		BUSH						1	
30		17845009		CORD FITTING PLATE						1	
31		SL4041091SC		SCREW M4 L=10						2	
32		40005391		POWER CORD 3P ASS'Y	FOR USE IN JAPAN AND GENERAL EXPORT					1	
33		HX00410000A		STRAIN RELIEF BUSHING						1	
34		40005393		FLT-SDC CORD P ASS'Y						1	
35		40005394		FLT-SDC CORD S ASS'Y						1	
36		40005726		SDC-MAIN CORD P ASS'Y						1	
37		40005727		SDC-MAIN CORD S ASS'Y						1	
38	R	40000046	40162838	FLT-S PCB A ASS'Y	FOR EUROPE					1	1.00
39		40005388		POWER CORD 1P220V ASS'Y						1	
40		40005392		POWER CORD 1P ASS'Y						1	
41		CM200100001		PE MARK LABEL						1	
42		40012038		REACTOR CORD ASSY						1	
43		HX00326000K		CABLE PARTS						1	
44		SL4040891SC		SCREW M4 L=8						2	

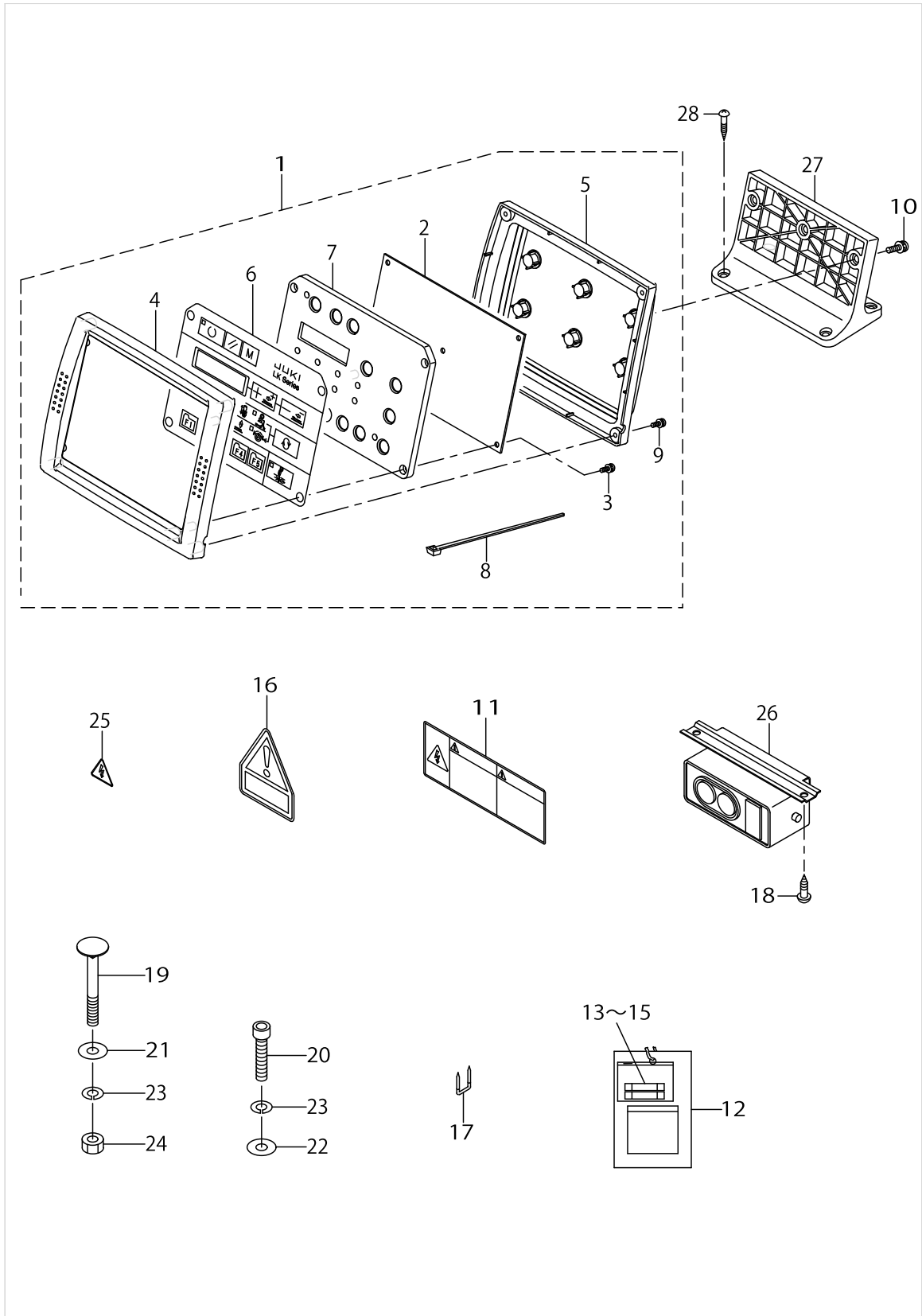
CONTROL BOX COMPONENTS



CONTROL BOX COMPONENTS

No.	Supply Code	Parts No.	Replacement	Parts name	Remarks	Choice	Step	Level	Cons	Qty	Rep. QTY
45		HX005110000		WIRE SADDLE						3	
46		E9607603000		STICKER (SMALL)						1	
47		E9567319000		EARTH MARK						1	
48		40003458		MASK SEAL						14	

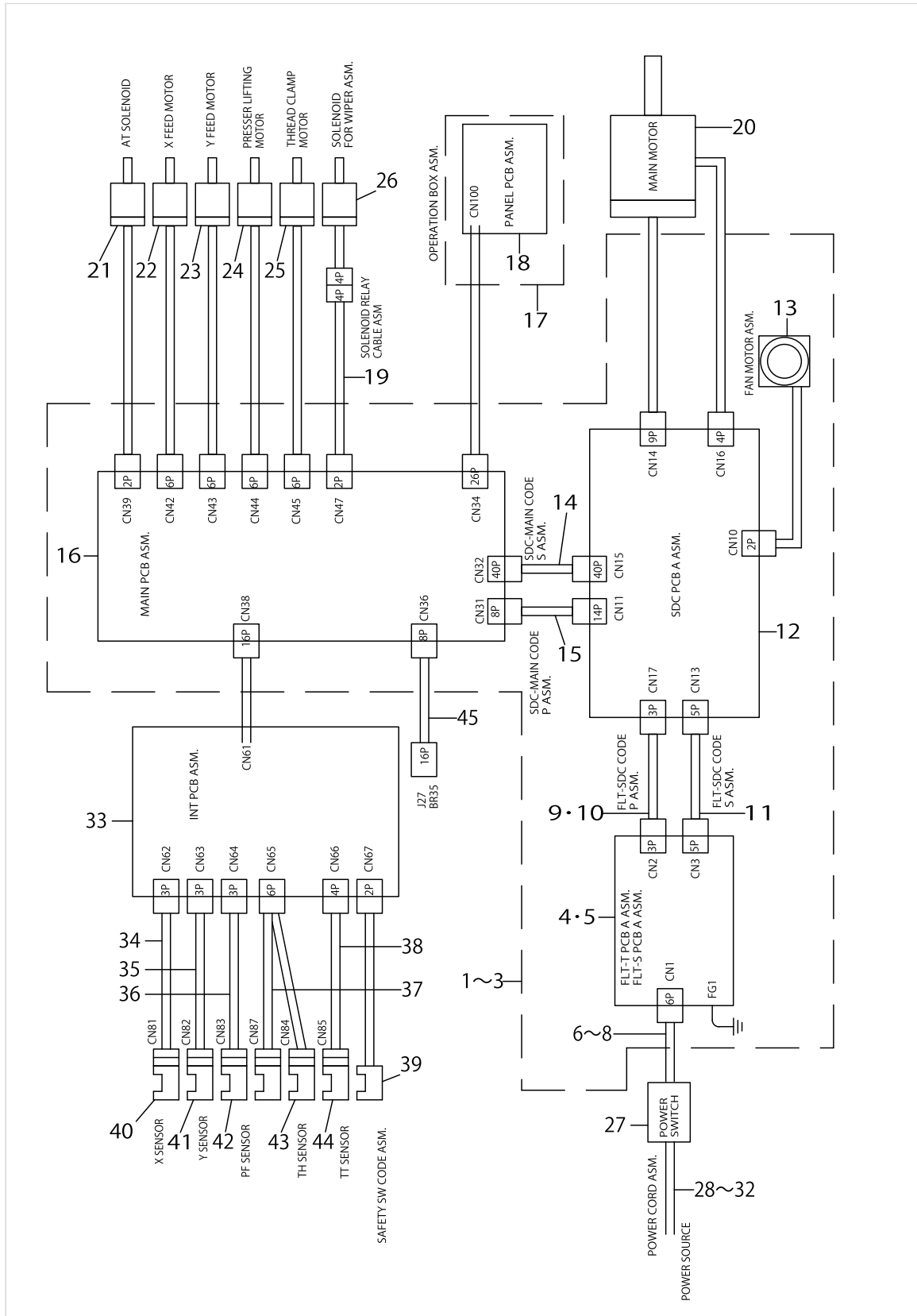
OPERATION PANEL COMPONENTS



OPERATION PANEL COMPONENTS

No.	Supply Code	Parts No.	Replacement	Parts name	Remarks	Choice	Step	Level	Cons	Qty	Rep. QTY
1		40005695		OPERATION BOX A ASM.						1	
2		40005677		PANEL PCB ASS'Y				*		1	
3		SL4031081SC		SCREW M3 X 10				*		4	
4		40005692		OPERATION BOX FRONT CASE				*		1	
5		40005693		OPERATION BOX REAR CASE				*		1	
6		40005691		OPERATION PANEL SHEET				*		1	
7		40005694		PANEL PCB HOLDER PLATE				*		1	
8		EA9500B0100		CABLE BAND				*		1	
9		SL4031081SC		SCREW M3 X 10				*		4	
10		SL4041691SC		SCREW M4 L=16						3	
11		CM300100401		LABEL 3 (LARGE)	FOR 100V(-1-PHASE), 200/220V(-3-PHASE), 220/240V(1-PHASE)					1	
12		M300451100A		VOLTAGE INDICATION CARD,A						1	
13		HF00130315S		FUSE 3.15A 250V REF. NO.112						1	
14		HF003000200		FUSE 2A (220/240V)						1	
15		HF0013050P0		FUSE 5A						1	
16		CM300400601		VOLTAGE CAUTION LABEL	FOR 100V(-1-PHASE) 200/220V(3-PHASE)					1	
17		MA011532000		CORD STAPLE						3	
18		SK3512001SE		WOOD SCREW D=5.1 L=20						2	
19		MTSHJ100003		BOLT						2	
20		SM6084002TN		SCREW M8 L=40						1	
21		WP0852086SC		WASHER M8						2	
22		WP0841601SC		WASHER 8.4X17.4X1.6						1	
23		WS0820002KR		SPRING WASHER, M8						3	
24		NM6080002SC		NUT M8						2	
25		CM300100003		VOLTAGE WARNING LABEL(25)	FOR 100V(-1-PHASE) 200/220V(3-PHASE)					1	
26		HA004250000		SWITCH	FOR 220/2-40V(1-PHASE),CE					1	
27		40005697		OPERATION BOX FITTING PLATE						1	
28		SK3382001SE		SCREW D=3.8 L=20						4	

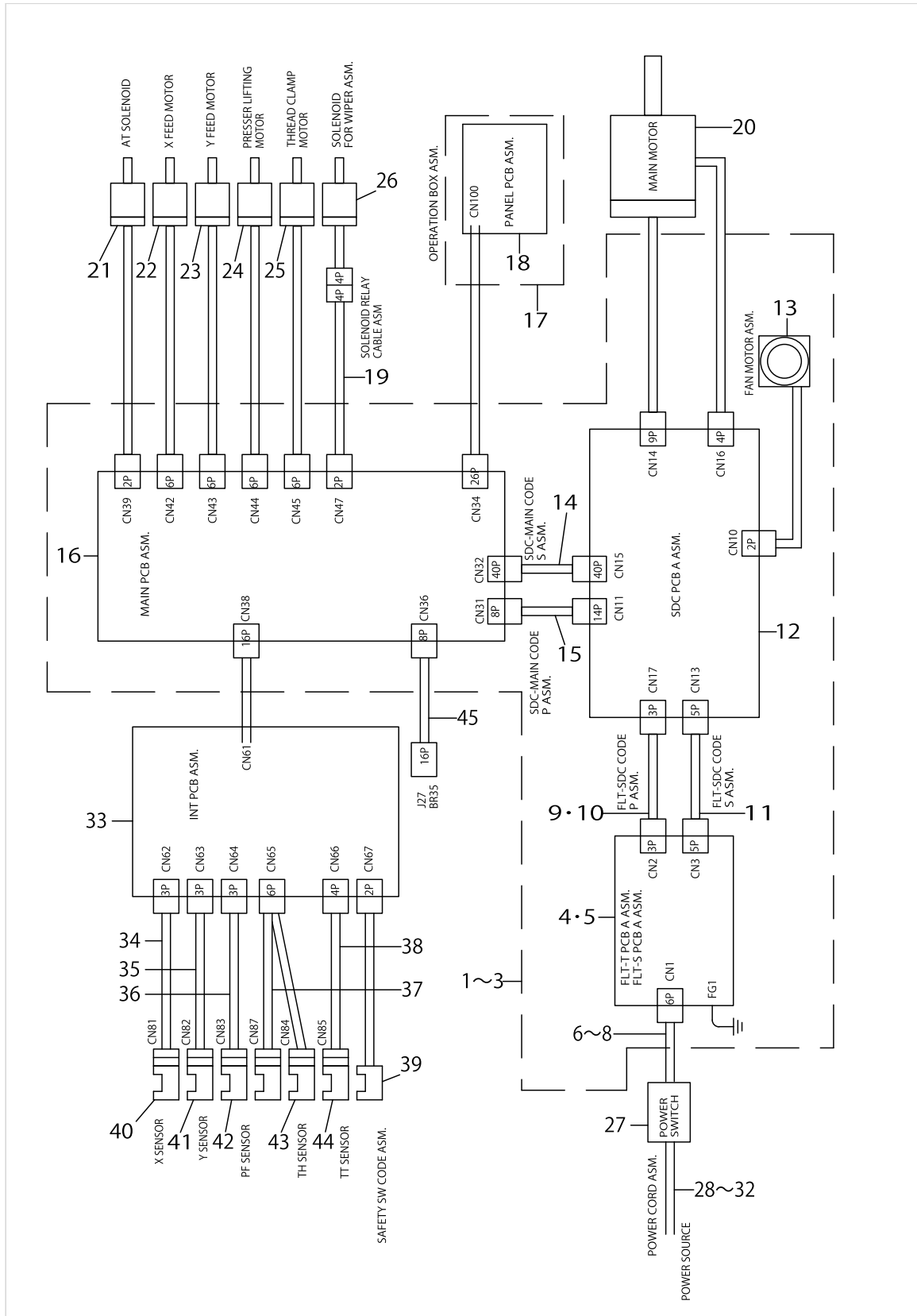
MC-597 WIRING DIAGRAM



MC-597 WIRING DIAGRAM

No.	Supply Code	Parts No.	Replacement	Parts name	Remarks	Choice	Step	Level	Cons	Qty	Rep. QTY
1		40013068		CONTROL_BOX_A_ASSY						1	
2		40013099		CONTROL_BOX_B_ASSY						1	
3		40013144		CONTROL_BOX_C_ASSY	FOR 100V(-1-PHASE), 200/220V(3-PHASE)					1	
4		40000056		FLT-T PCB A ASS'Y	FOR 220/2-40V(1-PHASE),CE			*		1	
5	R	40000046	40162838	FLT-S PCB A ASS'Y				*		1	1.00
6		40005391		POWER CORD 3P ASS'Y				*		1	
7		40005392		POWER CORD 1P ASS'Y				*		1	
8		40005388		POWER CORD 1P220V ASS'Y	FOR 100V(-1-PHASE), 200/220V(3-PHASE)			*		1	
9		40005393		FLT-SDC CORD P ASS'Y				*		1	
10		40012038		REACTOR CORD ASSY				*		1	
11		40005394		FLT-SDC CORD S ASS'Y				*		1	
12	R	40000029	40082758	SDC PCB A ASS'Y				*		1	1.00
13		40005401		FAN MOTOR ASS'Y				*		1	
14		40005727		SDC-MAIN CORD S ASSY				*		1	
15		40005726		SDC-MAIN CORD P ASSY				*		1	
16		40005648		MAIN PCB ASSY				*		1	
17		40005695		OPERATION BOX A ASM.						1	
18		40005677		PANEL PCB ASSY				*		1	
19		40018355		SOLENOID RELAY CABLE ASM.						1	
20	R	40003470	40052937	AC SERVO MOTOR		A	A:AMS-210E			1	1.00
20	R	40003470	40028015	AC SERVO MOTOR		B	B:LK-1900-A/LBH-1790			1	1.00
21		40006628		AT_SOLENOID						1	
22		40006861		X FEED MOTOR						1	
23	D	40006862		Y FEED MOTOR						1	
24	R	40006863	40125209	PRESSER LIFTING MOTOR						1	1.00
25		40006864		THREAD CLAMP MOTOR						1	
26		14147755		SOLENOID FOR WIPER ASM.						1	
27		HA004250000		SWITCH						1	
28		M90175800A0		POWER CABLE ASM.	FOR 100V(-1-PHASE), 200/220V(-3-PHASE), 220/240V(1-PHASE)					1	
29		M90355800A0		POWER SOURCE CORD ASM.	FOR 220/2-40V(1-PHASE),CE					1	
30		M90345800A0		GROUND CORD ASM.	FOR 220/2-40V(1-PHASE),CE					1	
31		40005390		POWER CABLE JE ASM.						1	
32		M90245800A0		POWER CABLE ASM.	FOR 100V(-1-PHASE), 200/220V(3-PHASE)					1	
33		40005664		INT PCB ASM.						1	
34		40005730		X SENSOR CABLE ASM.						1	
35		40005731		Y SENSOR CABLE ASM.						1	
36		40005732		PF SENSOR CABLE ASM.						1	
37		40005729		TH SENSOR CABLE ASM.						1	
38		40005733		TT SENSOR CABLE ASM.						1	
39		40005734		SAFETY SW CABLE ASM.						1	

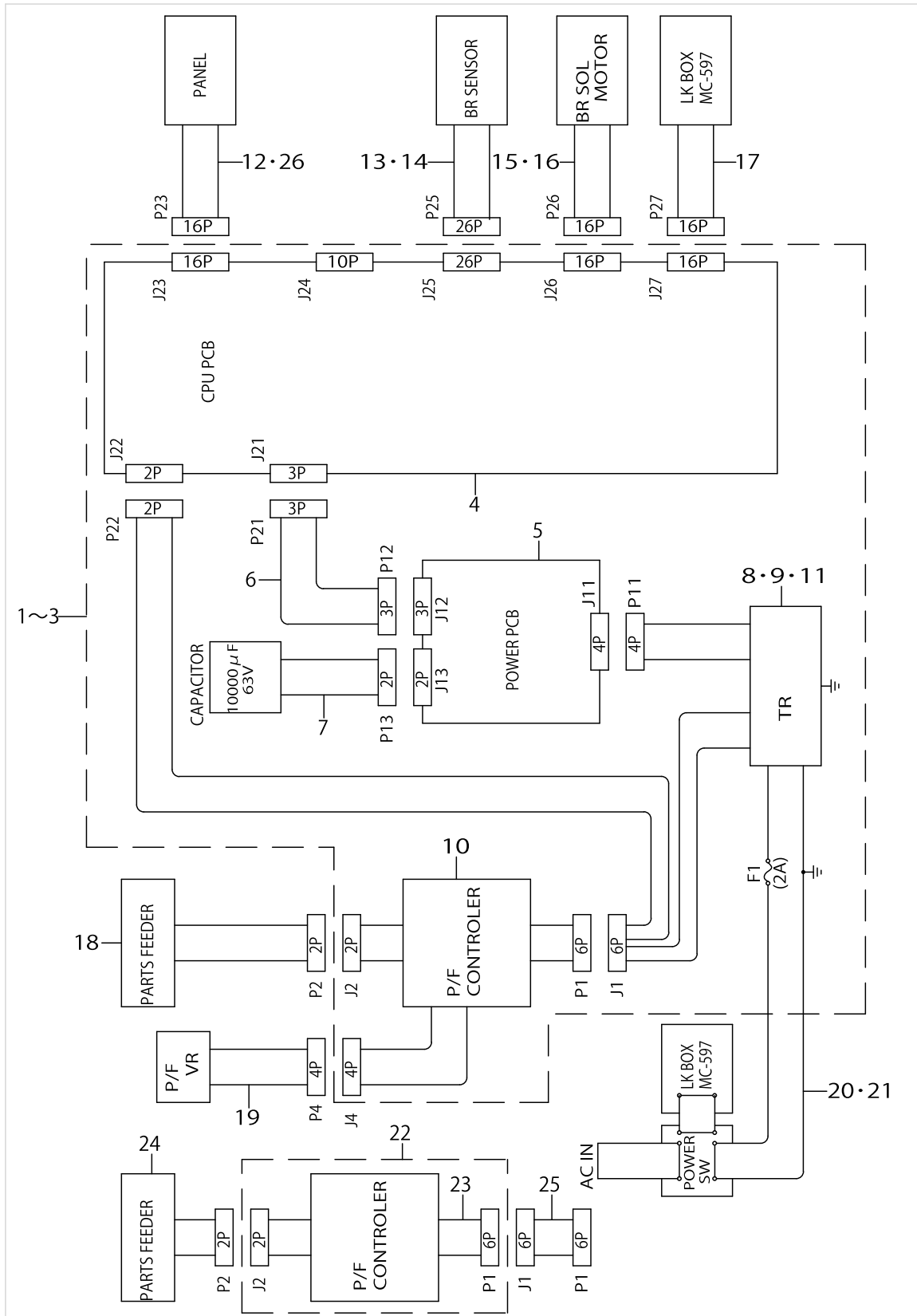
MC-597 WIRING DIAGRAM



MC-597 WIRING DIAGRAM

No.	Supply Code	Parts No.	Replacement	Parts name	Remarks	Choice	Step	Level	Cons	Qty	Rep. QTY
40		HD002230000		PHOTO SENSOR						1	
41		HD00057000A		PHOTO SENSOR						1	
42		HD00057000A		PHOTO SENSOR						1	
43		HD00057000A		PHOTO SENSOR						2	
44		HD002230000		PHOTO SENSOR						1	
45		40012037		LKA-BR RELAY CABLE ASM						1	

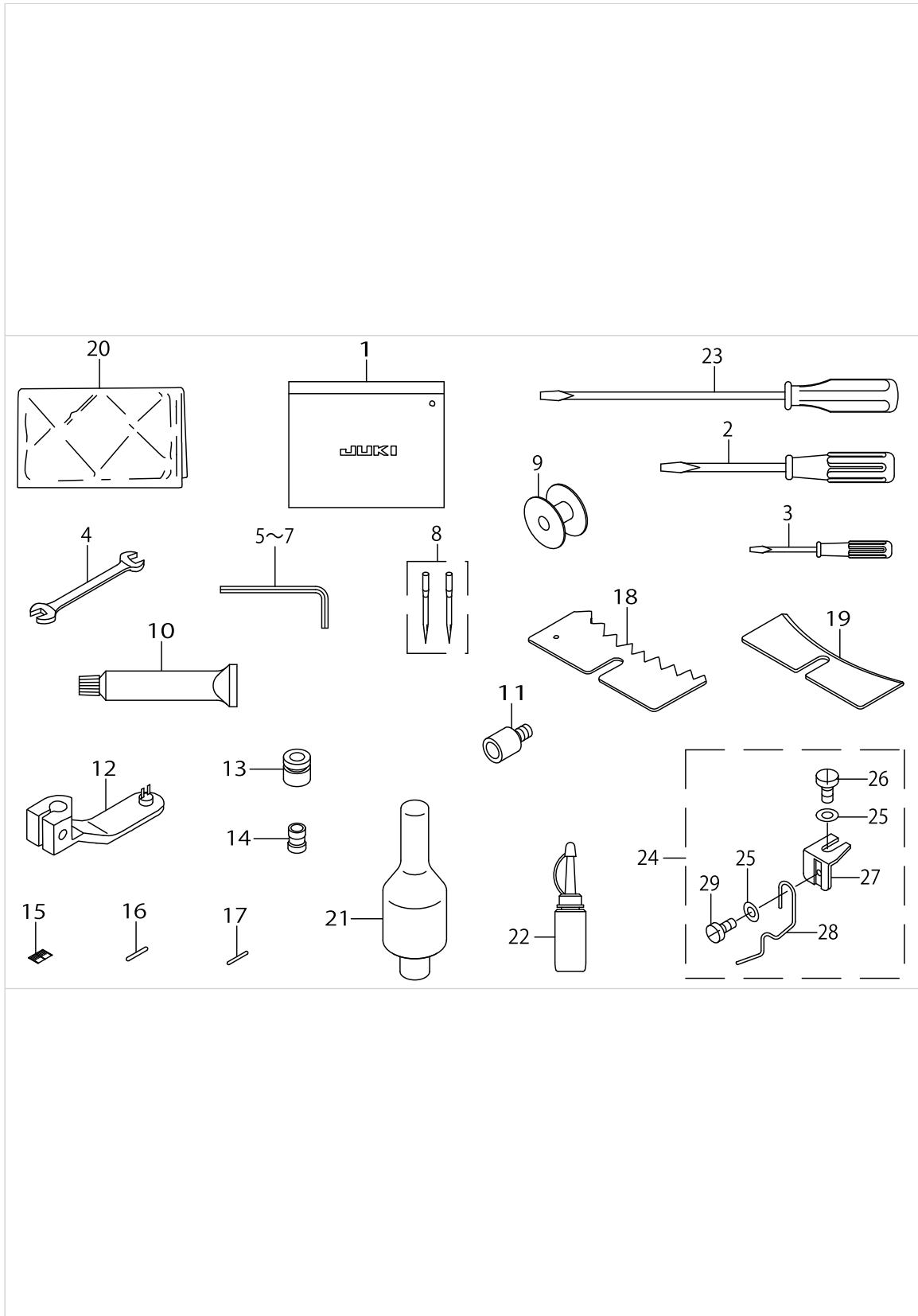
BR35 WIRING DIAGRAM



BR35 WIRING DIAGRAM

No.	Supply Code	Parts No.	Replacement	Parts name	Remarks	Choice	Step	Level	Cons	Qty	Rep. QTY
1		40014495		CONTROLBOX A ASM.	FOR 100V(-1-PHASE)					1	
2		40014506		CONTROLBOX B ASM.	FOR 200/2-20V(3-PHASE)					1	
3		40014526		CONTROLBOX C ASM.	FOR 220/2-40V(1-PHASE)					1	
4	R	GBR107510A0	40058552	CPU BOARD ASM.		A	BR-10	*		1	1.00
4	R	GBR107510A0	40049608	CPU BOARD ASM.		A	BR-10	*		1	1.00
4	R	GBR107510A0	40058552	CPU BOARD ASM.		B	BR-35	*		1	1.00
4	R	GBR107510A0	40044386	CPU BOARD ASM.		B	BR-35	*		1	1.00
4	R	GBR107510A0	40063649	CPU BOARD ASM.		C	BR-20, BR-25, BR-30	*		1	1.00
5	R	GBR107610A0	40046093	POWER BOARD		A		*		1	1.00
5	R	GBR107610A0	40058552	POWER BOARD		A		*		1	1.00
6		GBR107720A0		CPU BOARD POWER CORD ASM.				*		1	
7	R	GBR107430A0	40058552	CONDENSER ASM.		A		*		1	1.00
7	R	GBR107430A0	40046093	CONDENSER ASM.		A		*		1	1.00
8		GBR107480AA		TRANS A ASM.	FOR 100V(-1-PHASE)			*		1	
9		GBR107480AB		TRANS B ASM.	FOR 200/2-20V(3-PHASE)			*		1	
10		GBR107740A0		P/F CONTROLLER ASM.	FOR CE			*		1	
11		GBR107480AC		TRANS C ASM.	FOR 220/2-40V(1-PHASE)			*		1	
12		GBR30784AA0		OPERATION PANEL WHOLE ASM. (A)	FOR CE					1	
13		GBR108410BC		SENSOR CONNECTING CABLE ASM.	FOR 220/2-40V(1-PHASE)					1	
14		GBR108410B0		BR SENSOR ASM.	FOR CE					1	
15		GBR108510AC		BR DRIVING SOURCE ASM.	FOR 220/2-40V(1-PHASE)					1	
16		GBR108510A0		BR DRIVING SOURCE ASM.	FOR CE					1	
17		40012037		LKA-BR RELAY CABLE ASM.						1	
18		GBR107910A0		PARTS FEEDER ALL ASM.	FOR CE					1	
19		GBR107870A0		VOLUME ASM.	FOR CE					1	
20	D	GBR107440A0		AC INPUT POWER CABLE CORD ASM.	FOR 220/2-40V(1-PHASE), CE					1	
21		GBR107450A0		AC INPUT POWER CABLE CORD ASM.	FOR 100V(-1-PHASE)					1	
22		GBR108010A0		P/F CONTROLLER ASM.	FOR 220/2-40V(1-PHASE)					1	
23	D	GBR108210A0		P/F POWER CORD ASM.	FOR 220/2-40V(1-PHASE)			*		1	
24		GBR107910AC		PARTS FEEDR ALL C ASM.	FOR 220/2-40V(1-PHASE)					1	
25		GBR250810A0		P/F CONTROLLER RELAY CABLE ASM	FOR 220/2-40V(1-PHASE)					1	
26		GBR250610AC		OPERATION PANEL WHOLE ASM. C	FOR 220/2-40V(1-PHASE)					1	

ACCESSORIE PART COMPONENTS



ACCESSORIE PART COMPONENTS

No.	Supply Code	Parts No.	Replacement	Parts name	Remarks	Choice	Step	Level	Cons	Qty	Rep. QTY
1		22932800		ACCESSORIE BAG						1	
2		22933105		SCREW DRIVER,MIDDLE						1	
3		22933204		SCREW DRIVER,SMALL						1	
4		B9113012000		WRENCH (9X10)						1	
5		B9140372000		HEXAGONAL WRENCH, SMALL						1	
6		B9141372000		HEXAGONAL WRENCH, LARGE						1	
7		GCT02906000		HEXAGONAL SPANNER						1	
8	R	MDP170B1402	MDP170B1400	NEEDLE DPX17#14-2						1	1.00
9		13812102		BOBBIN						1	
10		40013640		JUKI_GREASE_B_TUBE						1	
11		40013451		GREASE_JOINT						1	
12		16558009		BUTTON CARRIER B						1	
13		16558108		RING, SMALL						1	
14		18200501		WORK ATTACHMENT (SMALL)						3	
15		18204701		SCALE						4	
16		GBR01155000		SET PIN A						6	
17		GBR01156000		SET PIN B						4	
18		GBR01423000		SELECTOR PLATE, MEDIUM						1	
19		GBR01437000		AUXILIARY PLATE						1	
20		26234005		VINYL COVER						1	
21		14101208		HEAD SUPPORT BAR						1	
22		B91212200A0		OILER (CONTAINING NO.2 OIL)						1	
23		22933006		SCREW DRIVER,LARGE						1	
24		14146757		BUTTON RISING BAR ASM.						1	
25		WP0370316SD		WASHER 3.7X8X0.3				*		2	
26		SS9090813TP		SCREW 9/64-40 L=8				*		1	
27		14146807		INSTALLING BASE				*		1	
28		14146708		BUTTON RISING BAR				*		1	
29		SS6080340SP		SCREW 1/8-44 L=2.9				*		1	

HOW TO MAKE USE OF THIS PARTS LIST

1.Explanation of codes

1)"*"mark.....means this part is changed from the previous parts book.

As to the details of the change, refer to the "List for information of change".

2)"#01".....refer to "Note" explanation at bottom of page.

2.Codes on the "Qty" column

• Each numeral indicates the number of parts required.

• "0.1" and "2.5" indicate the length (in meters) of the respective parts.

3.Parentheses mean that the corresponding part is a subpart that constructs an assembly part.

4.Dotted lines on the Figures indicate assembly parts.

1."注記"欄の記号説明

1) "*"印.....前回のパーツブックに比較して今回変更された部品を意味します。

変更内容は、"変更情報リスト"を参照してください。

2) "#01".....ページ下の"注記"の説明を参照してください。

2.数量欄の数字は、個数を表し、0.1、2.5等の数値は、長さ（単位メートル）を表します。

3.数量欄の（ ）は、組部品を構成している子部品であることを意味します。

4.イラストページの-----枠は、組構成であることを意味します。

Other parts list related to this model.

この機種に関するパーツリストとして下記のパーツリストがあります。

1.LK-1900A Series(No.1368)

Computer-controlled High-speed Bar-tacking Industrial Sewing Machine

高速電子門止めミシン

NUMERICAL INDEX OF PARTS

PART NO	PAGE	REF NO.	PART NO	PAGE	REF NO.	PART NO	PAGE	REF NO.
10004109	40	24	16552309	16	21	16566507	22	1
11155108	34	62	16552507	14	1	16566606	22	10
11155207	32	32	16552606	14	10	16567000	22	14
11158300	32	7	16553208	14	21	16567166	22	31
11158409	32	8	16553208	22	5	16567802	22	40
11158516	32	11	16553307	14	22	16567901	22	43
11158607	32	9	16554008	14	20	16568206	24	51
11159001	32	14	16554008	22	38	16568404	26	30
11159506	32	30	16554503	14	30	16568602	28	61
13540901	10	29	16556300	16	44	16568651	28	60
13811906	4	12	16556409	16	43	16568909	26	26
13812003	4	11	16556508	18	52	16569204	28	68
13812102	58	9	16556607	16	34	16569501	26	18
13817754	32	13	16556706	14	14	16569600	26	17
13864509	2	17	16556805	14	25	16570103	26	21
14101208	58	21	16557209	14	4	16570202	26	22
14103352	6	21	16557209	24	68	16570301	26	23
14118152	32	3	16557308	16	15	16570509	28	48
14118251	32	4	16557407	16	4	16570608	28	51
14141402	10	7	16557506	14	29	16570707	26	33
14145106	4	1	16557605	14	34	16570905	26	37
14146104	10	6	16557902	16	9	16571408	28	49
14146203	10	4	16558009	58	12	16571606	28	72
14146302	10	9	16558108	58	13	16571804	26	45
14146708	58	28	16558801	16	17	16571903	26	15
14146757	58	24	16559304	14	31	16572000	24	78
14146807	58	27	16559601	14	35	16572406	22	24
14146906	4	10	16560104	20	14	16572505	22	41
14147607	2	18	16560203	20	32	16572703	26	65
14147755	2	14	16560302	20	21	16572703	28	65
14147755	52	26	16561607	20	15	16573008	26	14
14147805	2	24	16561904	20	25	16573305	22	44
14148407	4	3	16562001	20	18	16573701	26	2
14190052	10	1·2	16562001	26	43	16573909	26	46
14190151	10	1·2	16562100	20	23	16574006	22	18
14190300	10	28	16562308	20	20	16574105	22	3
14190458	10	11·12	16562803	20	4	16574204	24	52
14190557	10	16·17	16562902	20	6	16577009	30	1
14191951	32	2	16565301	24	79	16577207	30	33
16550105	14	38	16565400	24	54	16577306	30	20
16550204	16	42	16565509	24	55	16577405	30	22
16550402	16	40	16565707	22	7	16577504	30	11
16550808	16	3	16565905	22	22	16579203	30	19
16551806	16	30	16566002	22	4	16582504	44	27
16551905	16	16	16566408	22	25	16582603	44	28

NUMERICAL INDEX OF PARTS

PART NO	PAGE	REF NO.	PART NO	PAGE	REF NO.	PART NO	PAGE	REF NO.
16582702	44	35	18213504	26	12	40005393	46	34
16583403	44	26	18217505	22	39	40005393	52	9·10
16586505	34	49	18217752	14	33	40005394	46	35
17007402	32	10	18217950	20	3	40005394	52	11
17845009	46	30	18218008	28	71	40005401	46	23
18200303	26	29	18218206	14	3	40005401	52	13
18200352	26	27	18218800	16	20	40005641	46	13
18200501	16	19	18218909	22	6	40005648	46	12
18200501	58	14	18219204	22	37	40005648	52	16
18200709	12	52	18219501	26	20	40005664	52	33
18200907	28	64	18219600	26	40	40005677	50	2
18200956	28	63	18219709	14	2	40005677	52	18
18201103	28	53	18219808	14	12	40005691	50	6
18201608	22	27	18219907	44	25	40005692	50	4
18201905	26	6	18222604	32	43	40005693	50	5
18201962	26	1	18227553	20	9	40005694	50	7
18202002	26	7	18227603	12	51	40005695	50	1
18202101	24	76	18227702	14	26	40005695	52	17
18202150	24	74	18227850	14	8	40005697	50	27
18202200	24	77	18227959	16	5	40005705	46	14
18202408	30	23	18228106	34	50	40005706	46	27
18203307	26	4	22891006	6	10	40005726	46	36
18204107	22	34	22932800	58	1	40005726	52	15
18204206	26	16	22933006	58	23	40005727	46	37
18204503	26	25	22933105	58	2	40005727	52	14
18204602	30	9	22933204	58	3	40005729	52	37
18204701	58	15	26234005	58	20	40005730	52	34
18204909	24	75	40000029	46	17	40005731	52	35
18205401	16	26	40000029	52	12	40005732	52	36
18205708	16	12	40000046	46	19·38	40005733	52	38
18205906	16	6	40000046	52	4·5	40005734	52	39
18206003	16	1	40000056	46	19·38	40006475	34	69
18206201	18	53	40000056	52	4·5	40006525	6	14
18206409	16	7	40003451	46	1	40006532	6	11
18206607	16	11	40003452	46	2	40006534	6	7
18206706	14	24	40003453	46	3	40006535	6	8
18206904	14	36	40003458	48	48	40006580	6	22
18207209	20	11	40003470	52	20	40006628	52	21
18207506	20	13	40005388	46	32·39·40	40006721	6	29
18207902	14	17	40005388	52	6~8	40006725	6	23·24
18209007	12	58	40005390	52	28~32	40006726	6	23·24
18209502	22	35	40005391	46	32·39·40	40006861	52	22
18212902	28	50	40005391	52	6~8	40006862	52	23
18213405	26	11	40005392	46	32·39·40	40006863	52	24
18213454	26	10	40005392	52	6~8	40006864	52	25

NUMERICAL INDEX OF PARTS

PART NO	PAGE	REF NO.	PART NO	PAGE	REF NO.	PART NO	PAGE	REF NO.
40006923	6	1	B24152800A0	6	36	D6042555B00	30	37
40006924	6	2	B2416280000	6	35	D8113555B00	32	16
40006925	6	3	B2417280000	8	38	D8204555D00	32	33
40006926	6	12	B2418280000	6	34	E5006171000	18	57
40006927	8	48	B24212800A0	6	33	E9567319000	48	47
40006935	4	2	B242328000A	8	41~45	E9607603000	48	46
40009859	2	23	B242328000B	8	41~45	E9613601000	36	15
40011949	6	17	B242328000C	8	41~45	E9613601000	40	11
40012037	44	21	B242328000D	8	41~45	EA9500B0100	38	55
40012037	54	45	B242328000E	8	41~45	EA9500B0100	42	54
40012037	56	17	B2424280000	6	32	EA9500B0100	50	8
40012038	46	42	B2548372RA0	12	44	GBR01120000	20	1
40012038	52	9·10	B2549372R00	10	35	GBR01155000	58	16
40013068	52	1~3	B2553372000	10	32	GBR01156000	58	17
40013099	52	1~3	B2560372000	10	33	GBR01168000	20	17
40013144	52	1~3	B2561372000	10	26	GBR01175000	16	46
40013451	58	11	B2619372000	6	18	GBR014220A0	30	26
40013452	2	1	B3052816000	32	45	GBR01423000	58	18
40013640	58	10	B3125012000	4	8	GBR01426000	30	2
40014216	32	36	B55412050A0	2	2	GBR01428000	30	14
40014217	30	18	B5542205000	34	63	GBR01437000	58	19
40014219	44	22	B8101210AAB	32	5	GBR01441000	30	4
40014220	34	48	B8103980000	34	57	GBR01601000A	10	42
40014221	32	46	B8105210AAA	32	6	GBR01606000	10	39
40014240	32	1	B8133019000	34	56	GBR01607000	10	40
40014495	36	1·2	B8150210000	32	26	GBR107240A0	36	3
40014495	56	1~3	B8153771000	32	15	GBR107240AC	40	2
40014506	36	1·2	B8202205000	32	41	GBR10726000	40	32
40014506	56	1~3	B9113012000	58	4	GBR10728000	42	46
40014526	40	1	B9121012000	34	54	GBR107430A0	36	19
40014526	56	1~3	B91212200A0	58	22	GBR107430A0	40	16
40016644	40	39	B9140372000	58	5~7	GBR107430A0	56	7
40018334	2	10	B9141372000	58	5~7	GBR107440A0	36	23·24
40018335	2	13	CM200100001	40	23	GBR107440A0	40	20
40018355	52	19	CM200100001	46	41	GBR107440A0	56	20·21
B1114581000	2	3	CM300100003	50	25	GBR107450A0	36	23·24
B1426771000	20	10	CM300100101	38	59	GBR107450A0	56	20·21
B1649161000	18	64	CM300100401	50	11	GBR107460AA	36	8·9
B185351200E	6	19	CM3002002B1	34	47	GBR107460AB	36	8·9
B1903552000	6	13	CM300400601	50	16	GBR107460AC	40	7
B1908505000	6	4	D2431555B00	34	61	GBR10747000	36	18
B210220500A	2	11	D2527232D00	4	9	GBR10747000	40	15
B2107816000	28	56	D2548232D00	10	30	GBR107480AA	36	10·11
B2107816000A	22	8	D2572M1YC0F	12	45	GBR107480AA	56	8·9·11
B24142800A0	6	37	D3130M1YC00	10	21	GBR107480AB	36	10·11

NUMERICAL INDEX OF PARTS

PART NO	PAGE	REF NO.	PART NO	PAGE	REF NO.	PART NO	PAGE	REF NO.
GBR107480AB	56	8·9·11	GBR10852000	44	15	HA002900000	42	42·43
GBR107480AC	40	8	GBR10853000	24	50	HA002980000	36	6
GBR107480AC	56	8·9·11	GBR10853000	44	16	HA002980000	40	5
GBR107510A0	36	28	GBR10854000	24	56	HA004250000	50	26
GBR107510A0	40	35	GBR10854000	44	17	HA004250000	52	27
GBR107510A0	56	4	GBR108550A0	18	50	HD000360000	20	28
GBR107610A0	36	4	GBR108550A0	44	18	HD00057000A	54	43
GBR107610A0	40	3	GBR108560A0	28	47	HD002230000	54	44
GBR107610A0	56	5	GBR108560A0	44	20	HF00130315S	50	13~15
GBR107720A0	36	35	GBR108580A0	44	12·13	HF0013050P0	50	13~15
GBR107720A0	40	31	GBR108580AC	44	12·13	HF003000200	50	13~15
GBR107720A0	56	6	GBR108590A0	20	27	HF005111000	36	13
GBR107740A0	36	36	GBR108590A0	44	19	HF005111000	40	10
GBR107740A0	56	10	GBR11109000	18	54	HF00511100B	36	14
GBR10775000	38	37	GBR11110000	18	51	HF00511100B	40	12
GBR10782000	38	53	GBR11111000	18	55	HF0084020P0	36	29
GBR10782000	42	53	GBR11112000	16	24	HF0084020P0	40	36
GBR107850A0	38	42	GBR11113000	18	66	HF0084063P0	36	30
GBR107850AC	42	40	GBR11114000	18	56	HF0084063P0	40	37
GBR10786000	38	50	GBR11115000	18	62	HG002910000	38	45
GBR10786000	42	47	GBR207340A0	38	40	HG002910000	42	41
GBR107870A0	38	54	GBR207340A0	40	26	HG00291000A	38	44
GBR107870A0	56	19	GBR25003000	12	59	HG00291000A	42	50
GBR10791000	30	35	GBR25004000	12	57	HK004440020	30	36
GBR107910A0	30	31	GBR25005000	14	41	HK004490020	30	32
GBR107910A0	56	18	GBR25006000	34	58	HL008730140	38	39
GBR107910AC	56	24	GBR25010000	34	71	HL008730143	40	25
GBR108010A0	40	38	GBR250610AC	56	12·26	HM000480010	46	24
GBR108010A0	56	22	GBR250810A0	42	57	HX000980000	36	25
GBR108210A0	56	23	GBR250810A0	56	25	HX000980000	40	21
GBR108410B0	56	13·14	GBR30784AA0	38	41	HX00114000A	38	46·47
GBR108410BC	56	13·14	GBR30784AA0	56	12·26	HX00114000A	42	42·43
GBR108420A0	44	29	GBR30788000	38	56	HX00123000C	2	6
GBR108430A0	22	20	GBR30788000	42	56	HX00150000B	36	21
GBR108430A0	44	6	GBR308650A0	34	65	HX00150000B	40	18
GBR108440A0	24	72	GCT02906000	58	5~7	HX00228000A	36	7
GBR108440A0	44	7	GPF060600A0	32	18	HX00228000A	40	6
GBR108450A0	28	66	GPF06080000	32	17	HX00326000K	46	43
GBR108450A0	44	9	HA001910000	38	51	HX003390000	32	44
GBR108460A0	44	3·4	HA001910000	42	48	HX003390000	46	21
GBR108460AC	44	3·4	HA00191001B	38	43	HX00339000B	34	52
GBR108470A0	44	8	HA00191001B	42	49	HX004070000	46	29
GBR108510A0	56	15·16	HA00191001C	38	49	HX00410000A	46	33
GBR108510AC	56	15·16	HA00191001C	42	45	HX005110000	48	45
GBR10852000	14	6	HA002900000	38	46·47	M300451100A	50	12

NUMERICAL INDEX OF PARTS

PART NO	PAGE	REF NO.	PART NO	PAGE	REF NO.	PART NO	PAGE	REF NO.
M3801476000	46	6	NM6060001SC	44	34	SL4030681SC	38	52
M4206461000	46	11	NM6080001SC	30	27	SL4030681SC	40	52
M90175800A0	52	28~32	NM6080001SC	46	10	SL4030681SC	42	52
M90245800A0	52	28~32	NM6080002SC	50	24	SL4030881SC	26	5
M90345800A0	52	28~32	NM6080721SE	32	25	SL4030881SC	36	22
M90355800A0	52	28~32	NM6120003SE	32	27	SL4030881SC	40	19
M964051000A	34	67	NS6080210SP	10	41	SL4030881SC	44	30
MAO11532000	34	55	NS6090310SP	10	43	SL4031081SC	20	29
MAO11532000	42	58	NS6110310SP	2	26	SL4031081SC	50	9
MAO11532000	50	17	NS6110360SP	18	65	SL4031081SF	46	15
MAO14506000	38	48	NS6120310SP	2	22	SL4040881SC	46	28
MAO14506000	42	44	NS6150310SP	10	31	SL4040891SC	36	33
MAZ088270A0	10	38	NS6150430SP	44	23	SL4040891SC	40	34
MAZ08828000	10	20	RC2500001KP	20	2	SL4040891SC	46	44
MAZ08829000	10	14	RE0200000K0	14	5	SL4041091SC	2	7
MAZ15502000	4	4·5	RE0200000K0	24	69	SL4041091SC	34	66
MAZ15514000	10	3	RE0250000K0	22	42	SL4041091SC	38	57
MAZ15515000	10	27	RE0700000K0	10	8	SL4041091SC	42	55
MAZ15601000	6	30·31	RE1200000K0	22	19	SL4041091SC	46	31
MAZ15602000	4	4·5	SB104001600	6	6	SL4041291SC	36	17
MAZ15801000	6	30·31	SB108002200	6	5	SL4041291SC	40	14
MAZ16522000	10	10	SB108002300	6	9	SL4041691SC	50	10
MAZ166070A0	10	15	SB110000400	26	42	SL4043591SC	46	25
MAZ166070B0	10	11·12	SB115000400	14	15	SL9082091SE	32	12
MAZ166080A0	10	18	SD0500091TP	8	40	SM0040601SA	34	53
MAZ166080B0	10	16·17	SD0500301SP	10	36	SM0040601SC	22	2
MDP170B1400	6	15	SD0550303TP	10	34	SM0040601SC	26	3
MDP170B1402	58	8	SD0600181TP	2	19	SM0040601SC	30	34
MTSHJ100003	50	19	SD0600341TP	14	7	SM0040601SC	44	1
NM3040520SC	46	26	SD0600401TP	14	11	SM0861201SA	22	73
NM6040001SC	16	47	SD0600651TP	18	58	SM0861201SA	24	73
NM6040001SC	18	47	SD0601021SP	14	13	SM0861201SA	28	67
NM6040001SC	20	5	SD0640261SP	2	20	SM1031401SC	18	63
NM6040001SC	22	66	SD0640391TP	10	25	SM1040601SC	28	70
NM6040001SC	24	66	SD0700332SP	44	24	SM1040650TP	8	47
NM6040001SC	26	24	SD0791271SP	6	20	SM1041201SC	28	69
NM6040001SC	44	10	SK3311601SE	32	64	SM4030601SN	30	25
NM6040001SF	36	26	SK3311601SE	34	64	SM4040801SN	30	12
NM6040001SF	40	22	SK3382001SE	34	68	SM4041001SC	36	12
NM6040003SC	2	15	SK3382001SE	50	28	SM4041001SC	40	9
NM6050001SC	14	23	SK3452501SE	36	34	SM4051001SN	30	15
NM6050001SC	16	14	SK3452501SE	40	30	SM4860501SC	26	8
NM6050001SC	20	7	SK3483201SE	32	35	SM5040601SC	38	38
NM6060001SC	30	5	SK3512001SE	50	18	SM5040601SC	40	33
NM6060001SC	32	40	SL4030681SC	36	52	SM5040855SN	4	13

NUMERICAL INDEX OF PARTS

PART NO	PAGE	REF NO.	PART NO	PAGE	REF NO.	PART NO	PAGE	REF NO.
SM5040855SN	34	70	SM8030402TP	22	30	WP0430800SC	16	49
SM6030500SN	8	46	SM8040402TP	20	30	WP0430800SC	18	49
SM6030602TP	12	53	SM8040402TP	28	52	WP0430800SC	22	65
SM6030802TP	26	57	SM8040602TP	14	32	WP0430800SC	24	65
SM6030802TP	28	57	SM8040602TP	16	18	WP0430800SC	26	36
SM6031202TP	16	8	SM8040602TP	20	22	WP0430800SC	30	13
SM6031402TP	16	38	SM8042502TP	22	11	WP0430801SC	18	59
SM6040650TP	2	4	SM8050502TP	26	13	WP0450801SD	2	8
SM6040802TN	38	58	SM8050602TP	14	9	WP0450801SD	30	29
SM6040802TN	42	51	SM8050602TP	16	2	WP0450846SP	6	25
SM6040802TP	14	39	SM8050602TP	20	26	WP0501016SD	4	7
SM6040802TP	24	63	SM8050602TP	26	44	WP0501016SD	10	24
SM6040802TR	22	13	SM8050612TP	14	42	WP0531000SC	30	30
SM6040802TR	26	34	SM8050612TP	20	12	WP0531000SC	44	33
SM6041002TP	16	31	SM8050812TP	20	16	WP0531000SD	12	48
SM6041002TP	22	47	SM8050842TP	20	31	WP0611626SP	34	60
SM6041002TP	24	47	SM8086012TP	30	10	WP0612056SD	32	38
SM6041002TP	28	55	SM9040600SP	44	11	WP0612516SD	12	55
SM6041202TP	12	56	SM9042510SC	44	2	WP0621036SP	34	72
SM6041202TP	16	27	SM9061203SE	32	19	WP0641600SC	20	19
SM6041202TP	22	62	SM9082023SE	32	22	WP0641600SC	24	53
SM6041202TP	24	62	SM9086523SE	32	31	WP0641600SC	30	6
SM6041202TP	26	38	SS1060210TP	8	39	WP0651646SC	32	39
SM6041402TP	16	35	SS4110815SP	30	3	WP0671016SE	32	20
SM6042002TP	16	23	SS6080340SP	58	29	WP0841601SC	30	28
SM6042502TP	16	41	SS6110430TP	6	27	WP0841601SC	46	9
SM6050802TP	14	37	SS6111052TP	16	25	WP0841601SC	50	22
SM6051202TP	12	60	SS7060310SP	2	25	WP0852086SC	50	21
SM6051202TP	26	54	SS7090410SP	6	28	WP0871602SE	32	28
SM6051202TP	28	54	SS7090410SP	10	19	WS0310002KN	16	39
SM6051402TP	16	10	SS7091480SP	10	37	WS0310002KN	28	58
SM6051602TP	12	50	SS7110740TP	6	26	WS0410002KN	12	49
SM6051602TP	26	41	SS7111120TP	2	12	WS0410002KN	14	40
SM6051602TP	44	31	SS9090813TP	58	26	WS0410002KN	16	60
SM6052002TP	26	31	SS9091010SP	10	5	WS0410002KN	18	60
SM6052502TP	14	18	SS9110460CP	10	22	WS0410002KN	22	67
SM6061202TP	12	46	SS9110543CP	4	6	WS0410002KN	24	67
SM6061602TP	24	70	SS9151120CP	12	54	WS0410002KN	26	35
SM6061802TP	6	16	SS9621413SP	10	23	WS0410002KN	34	51
SM6062002TP	20	33	TA1250705R0	2	5	WS0410002KS	2	16
SM6062502TP	34	59	WP0280500SC	26	9	WS0451040KP	2	9
SM6063002TP	14	27	WP0320500SC	28	59	WS0510002KN	14	19
SM6066552TP	32	37	WP0320500SC	30	24	WS0510002KN	44	32
SM6083002TN	46	7	WP0370316SD	58	25	WS0510002KP	12	62
SM6084002TN	50	20	WP0430800SC	14	16	WS0510002KS	16	13

NUMERICAL INDEX OF PARTS

PART NO	PAGE	REF NO.
WS0610002KN	14	28
WS0610002KN	20	34
WS0610002KN	24	71
WS0610002KN	30	7
WS0621210KR	32	21
WS0820002KR	46	8
WS0820002KR	50	23
WS0861410KR	32	29
WZ0640200KP	2	21