

MODEL : UT21/UT22

List No : 1437-04

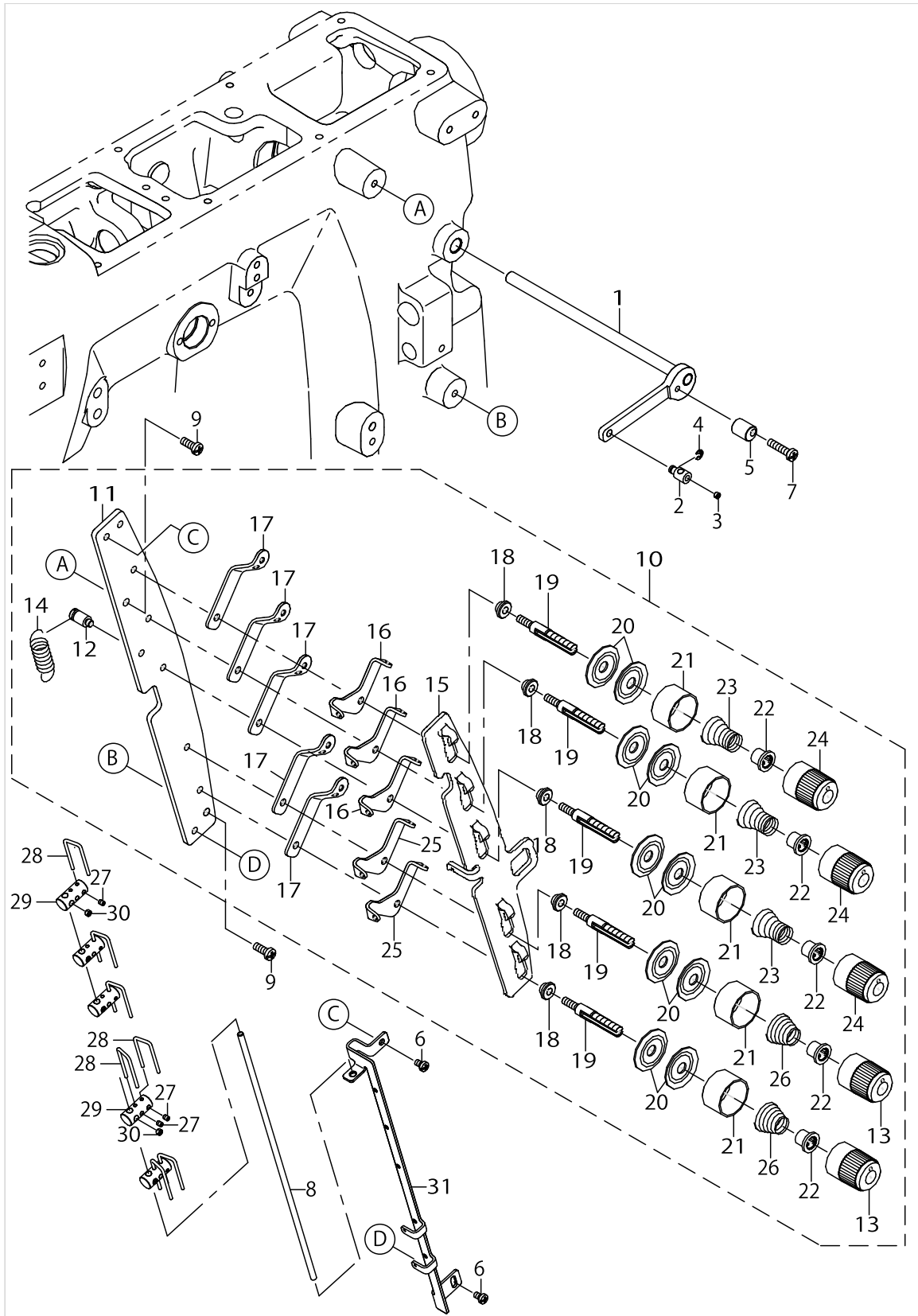
PARTS LIST

Published:05/12/2017

CONTENTS

THREAD TENSION COMPONENTS	1
LOOPER THREAD TRIMMER COMPONENTS	7
ELECTROMAGNETIC THREAD TRIMMER DRIVE & PRESSER FEED LIFTER COMPONENTS	9
TOP COVER THREAD TRIMMER COMPONENTS	13
NEEDLE THREAD WIPER COMPONENTS	15
ACCESSORIE PART COMPONENTS	17
HOW TO MAKE USE OF THIS PARTS LIST	19

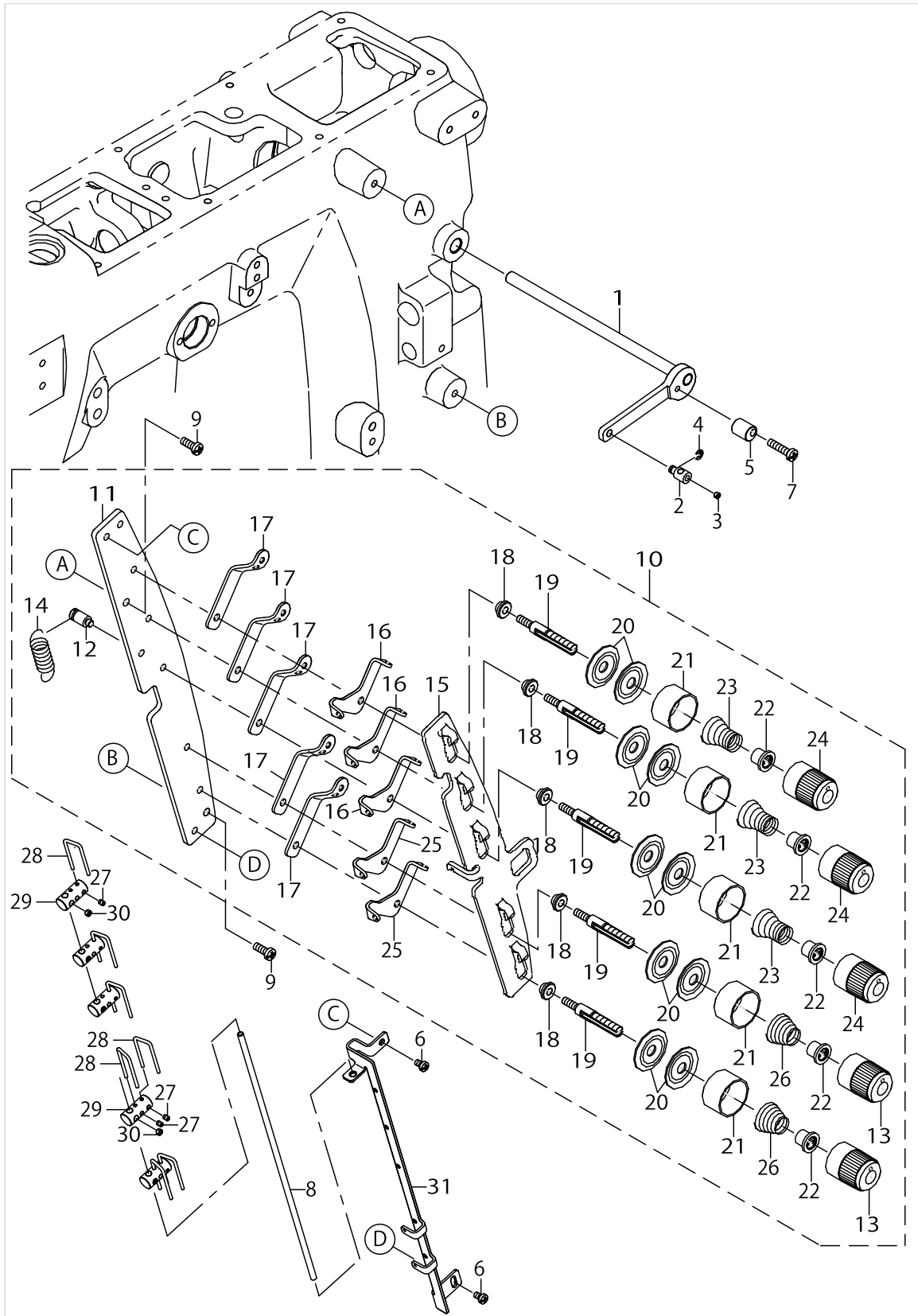
THREAD TENSION COMPONENTS



THREAD TENSION COMPONENTS

No.	Supply Code	Parts No.	Replacement	Parts name	Remarks	Choice	Step	Level	Cons	Qty	Rep. QTY
1		13456553		PULL_OFF_LEVER_ASSY						1	
2		13456405		THD_PULL_OFF_BAR_HOLDER						1	
3		SM8040360TP		SCREW						1	
4		RE0300000K0		E-RING 3						1	
5		40065785		TENS_RELEASE_ADJ_ECC						1	
6		SM4040655SP		SCREW M4 L=6						2	
7		SM4041655SP		SCREW M4 L=16						1	
8		13456108		PULL_OFF_BAR						1	
9		SM4041055SP		SCREW						2	
10		40066136		THREAD_TENSION_ASSY						1	
11		13340203		TENSION POST SUPPORT				*		1	
12		13340302		SHOULDER SCREW				*		1	
13	R	13341706	40042363	KNOB		B	糸調子ナット(緑)対策品/TENSION NUT(green) countermeasure parts	*		2	1.00
13	R	13341706	40042362	KNOB		B	糸調子ナット(緑)対策品/TENSION NUT(green) countermeasure parts	*		2	1.00
13	R	13341706	40042365	KNOB		B	糸調子ナット(緑)対策品/TENSION NUT(green) countermeasure parts	*		2	1.00
13	R	13341706	40042366	KNOB		B	糸調子ナット(緑)対策品/TENSION NUT(green) countermeasure parts	*		2	1.00
13	R	13341706	40066136	KNOB				*		2	1.00
14		B2008372000		THREAD TENSION SPRING				*		1	
15		40065784		TENSION_DISC_SEPARATOR				*		1	
16	R	13341607	40040066	TENSION_DISC_EYELET_2		B	MF-7724-U10-D60	*		3	1.00
16	R	13341607	40066136	TENSION_DISC_EYELET_2				*		3	1.00
17		13340609		THREAD LEAD IN GUIDE				*		5	
18		13340708		SPACER				*		5	
19	R	13340807	40042365	TENSION POST		B	糸調子ナット(無地)対策品/TENSION NUT(plain) countermeasure parts	*		5	1.00
19	R	13340807	40042363	TENSION POST		B	糸調子ナット(無地)対策品/TENSION NUT(plain) countermeasure parts	*		5	1.00
19	R	13340807	40042366	TENSION POST		B	糸調子ナット(無地)対策品/TENSION NUT(plain) countermeasure parts	*		5	1.00

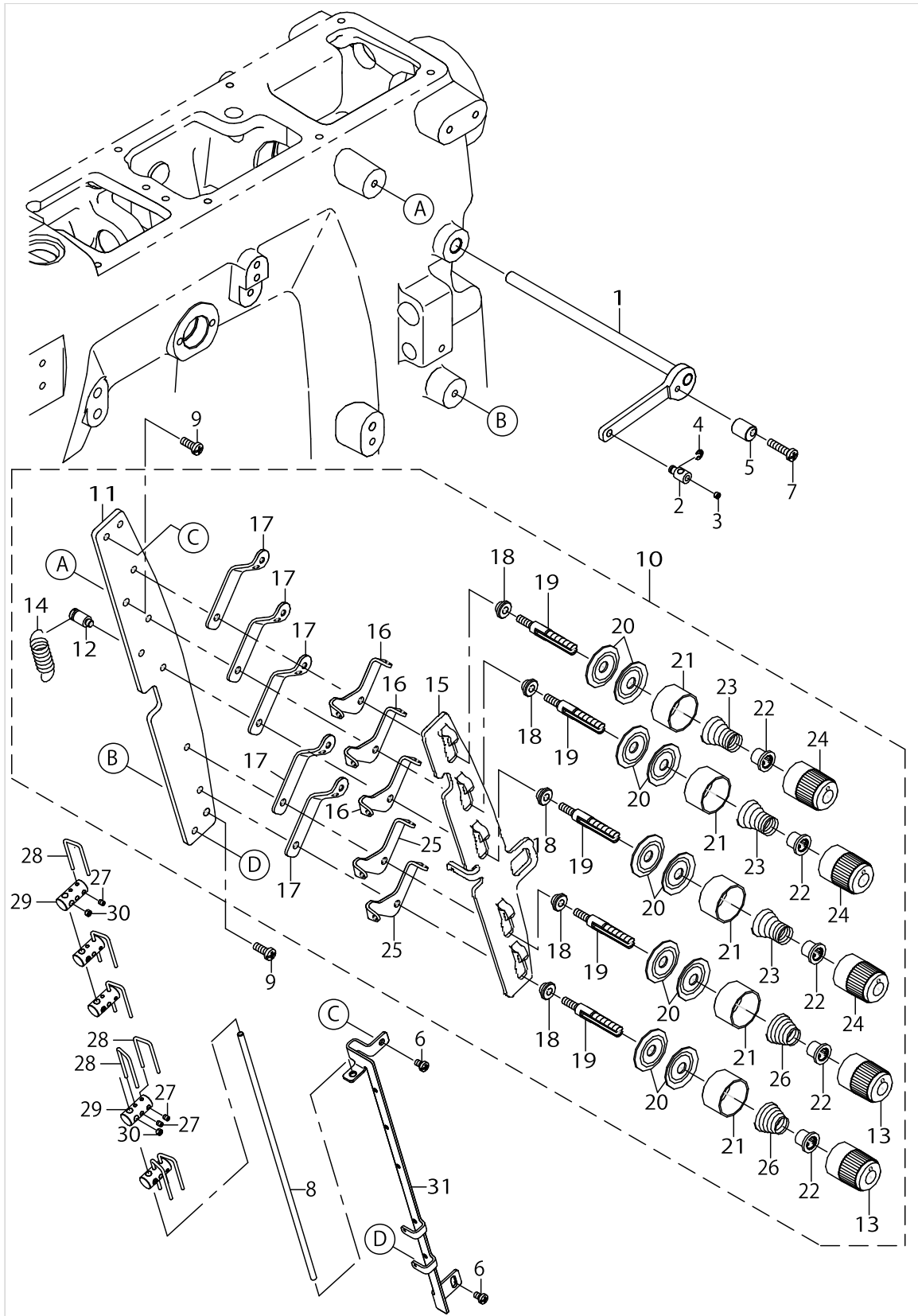
THREAD TENSION COMPONENTS



THREAD TENSION COMPONENTS

No.	Supply Code	Parts No.	Replacement	Parts name	Remarks	Choice	Step	Level	Cons	Qty	Rep. QTY
19	R	13340807	40042362	TENSION POST		B	糸調子ナット(無地)対策品/TENSION NUT(plain) countermeasure parts	*		5	1.00
19	R	13340807	40042366	TENSION POST		C	糸調子ナット(緑)対策品/TENSION NUT(green) countermeasure parts	*		5	1.00
19	R	13340807	40042364	TENSION POST		C	糸調子ナット(緑)対策品/TENSION NUT(green) countermeasure parts	*		5	1.00
19	R	13340807	40042365	TENSION POST		C	糸調子ナット(緑)対策品/TENSION NUT(green) countermeasure parts	*		5	1.00
19	R	13340807	40042362	TENSION POST		C	糸調子ナット(緑)対策品/TENSION NUT(green) countermeasure parts	*		5	1.00
19	R	13340807	40066136	TENSION POST				*		5	1.00
20		13138201		THREAD TENSION DISK				*		10	
21		13137609		THREAD TENSION DISK PRESSER				*		5	
22		13137906		SPRING BUSHING				*		5	
23		13140504		TENNSION SPRING				*		3	
24	R	13340906	40042364	KNOB GREEN		B	糸調子ナット(緑)対策品/TENSION NUT(green) countermeasure parts	*		3	1.00
24	R	13340906	40042366	KNOB GREEN		B	糸調子ナット(緑)対策品/TENSION NUT(green) countermeasure parts	*		3	1.00
24	R	13340906	40042362	KNOB GREEN		B	糸調子ナット(緑)対策品/TENSION NUT(green) countermeasure parts	*		3	1.00
24	R	13340906	40042365	KNOB GREEN		B	糸調子ナット(緑)対策品/TENSION NUT(green) countermeasure parts	*		3	1.00
24	R	13340906	40066136	KNOB GREEN				*		3	1.00
25		13340500		TENSION DISC EYELET				*		2	
26	R	B3121804000	40102003	TENSION SPRING				*		2	1.00
27		SM8030412TP		SCREW						7	
28		13456603		THD_PULL_OFF_HOOK						7	
29		13456207		THD_P_O_HOOK_GUIDE						5	
30		SM8040360TP		SCREW						5	

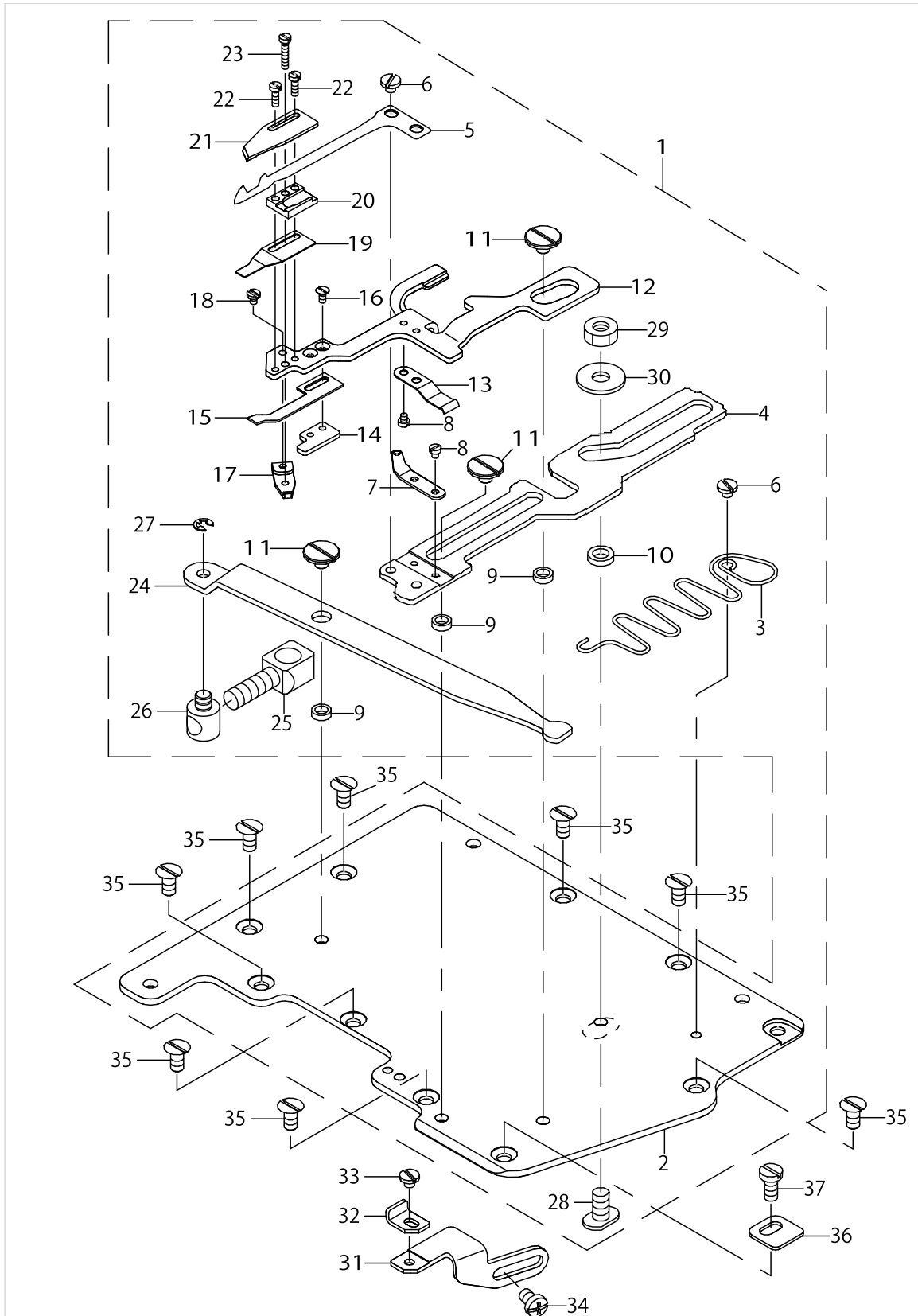
THREAD TENSION COMPONENTS



THREAD TENSION COMPONENTS

No.	Supply Code	Parts No.	Replacement	Parts name	Remarks	Choice	Step	Level	Cons	Qty	Rep. QTY
31		13456009		THREAD_GUIDE						1	

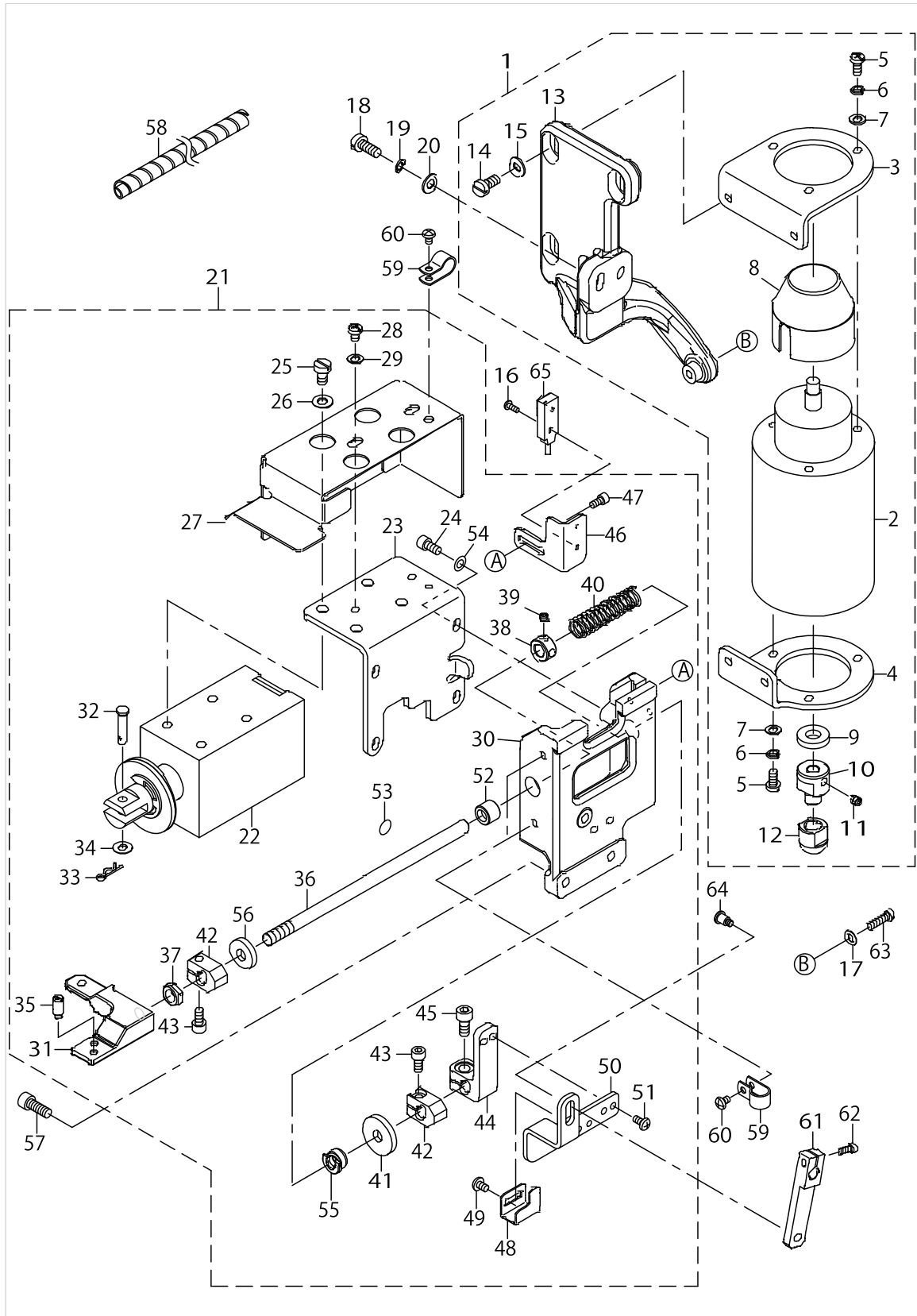
LOOPER THREAD TRIMMER COMPONENTS



LOOPER THREAD TRIMMER COMPONENTS

No.	Supply Code	Parts No.	Replacement	Parts name	Remarks	Choice	Step	Level	Cons	Qty	Rep. QTY
1		40026174		UNDER_TRIMMER_ASSY						1	
2		40070201		BED_TOP_COVER_FOR_UT				*		1	
3		13440409		SPRING_FOR_UT				*		1	
4		13440102		LOWER_KNIFE_HOLDER				*		1	
5		13441308		LOWER_KNIFE				*		1	
6		SM6030350SN		SCREW M3 L=2.5				*		3	
7		13440805		EYELET				*		1	
8		SM6020250TP		SCREW.				*		4	
9		13440904		SPACER_1				*		3	
10		13441001		SPACER_2				*		1	
11		SM6040460TP		SCREW				*		3	
12		13440201		KNIFE_HOLDER_GUIDE				*		1	
13		13441902		LEAF_SPRING-2				*		1	
14		13441605		THREADED_PLATE				*		1	
15		13441803		LEAF_SPRING-1				*		1	
16		SM1020450TP		SCREW M2 L=4				*		2	
17		13441506		TENSION_LEVER				*		1	
18		SM6020600TP		SCREW				*		1	
19		13442207		LEAF_SPRING-3				*		1	
20		13441407		LOWER_KNIFE_GUIDE				*		1	
21		13441704		UPPER_KNIFE				*		1	
22		SM6020600TP		SCREW				*		2	
23		SM6021000TP		SCREW				*		1	
24		13440300		LEVER				*		1	
25		40025990		LINK_DRIVING				*		1	
26		40025989		BOLT_CARRIER				*		1	
27		RE0250000K0		E-RING 2.5				*		1	
28		40070110		SCREW				*		1	
29		NM6040001SP		NUT M4X0.7				*		1	
30		WP0431005SP		PLAIN WASHER 4.3X12X1				*		1	
31		13440607		GUIDE_BASE						1	
32		13440706		GUIDE						1	
33		SM6030350SN		SCREW M3 L=2.5						1	
34		SM4040655SN		SCREW M4X0.7 L=6						2	
35		SM1040860SP		SCREW						8	
36		13440508		STOP_PLATE						1	
37		SM6040870SP		SCREW						1	

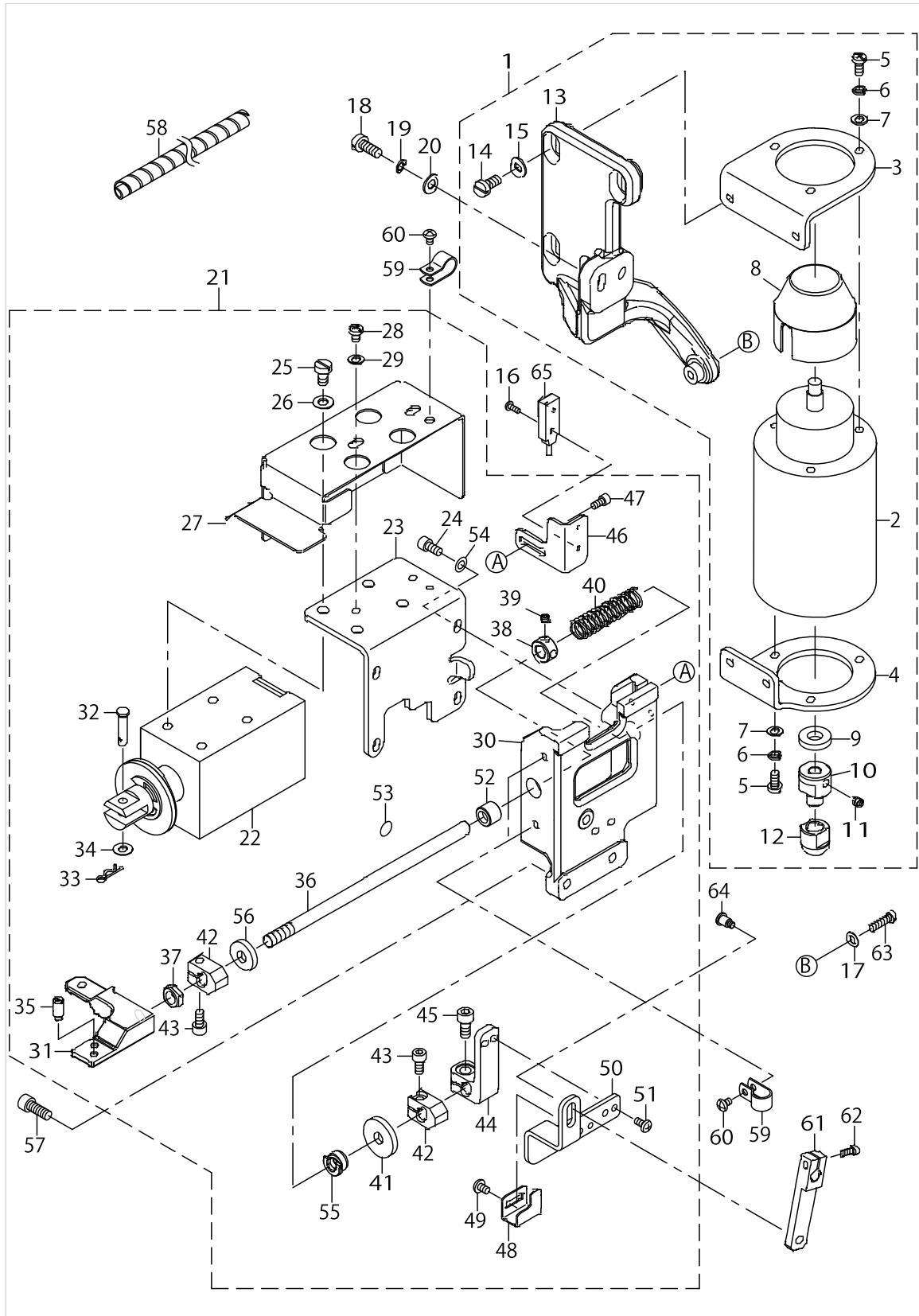
ELECTROMAGNETIC THREAD TRIMMER DRIVE & PRESSER FEED LIFTER COMPONENTS



ELECTROMAGNETIC THREAD TRIMMER DRIVE & PRESSER FEED LIFTER COMPONENTS

No.	Supply Code	Parts No.	Replacement	Parts name	Remarks	Choice	Step	Level	Cons	Qty	Rep. QTY
1		40030477		SOLENOID_ASSY_B						1	
2		40030478		SOLENOID_ASSY_A				*		1	
3		40032444		SOLENOID_BRACKET_UPPER				*		1	
4		40032445		SOLENOID_BRACKET_LOWER				*		1	
5		SM4051055SP		SCREW				*		6	
6		WS0510002KP		SPRING WASHER 5.1X9.2X1.3				*		6	
7		WP0550800SP		WASHER 5.5X10X0.8				*		6	
8		GAK3303600A		SOLENOID COVER				*		1	
9		40032703		P_F_RUBBER_WASHER				*		1	
10		40032447		CAP_JOINT				*		1	
11		SM8050602TP		SCREW M5 L=6				*		1	
12		13455100		AIR_CYLINDER_CAP				*		1	
13		40032446		SOLENOID_BRACKET				*		1	
14		SM6061200SP		SCREW				*		4	
15		WP0621016SD		WASHER 6.2X13X1				*		4	
16		SM4030855SN		SCREW M3 L=8.0						1	
17		WP0450826SC		WASHER 4.5X10X0.8						1	
18		SM6061400SP		SCREW M6 L=14						1	
19		WS0610002KP		SPRING WASHER						1	
20		WP0621016SD		WASHER 6.2X13X1						1	
21		40030482		UT ELECTRIC DRIVE ASSY						1	
22		40040271		UT_SOLENOID_ASSY				*		1	
23		40026935		SOLENOID_BRACKET				*		1	
24		SM6051002TP		SCREW M5X0.8 L=10				*		4	
25		SM6061010TP		SCREW M6 L=10				*		4	
26		WP0621016SD		WASHER 6.2X13X1				*		4	
27		40039670		SOLENOID_COVER				*		1	
28		SM4050655SP		SCREW M5 L=6				*		2	
29		WP0550800SP		WASHER 5.5X10X0.8				*		2	
30		40040662		UT_SOLENOID_BASE				*		1	
31		40026848		CONN_BLOCK				*		1	
32		40039669		MAGNET_PIN				*		1	
33		B1515210D00		PIN				*		1	
34		WP0560860SE		WASHER 5.6X12X0.8				*		1	
35		13442702		PIN				*		1	
36	R	40024097	40097665	UT_SHAFT				*		1	1.00
37		NM6080003SC		NUT M8				*		1	
38		CS0800881TP		THRUST COLLAR				*		1	
39		SM8050412TP		SCREW M5 L=4				*		2	
40		40042567		SPRING				*		1	
41		13443601		WASHER				*		1	
42		13442900		COLLAR				*		2	
43		SM6051002TP		SCREW M5X0.8 L=10				*		2	
44		13443007		PLATE HOLDER				*		1	
45		SM6061202TP		SCREW M6 L=12				*		1	
46		40024101		SENSOR HOLDER				*		1	

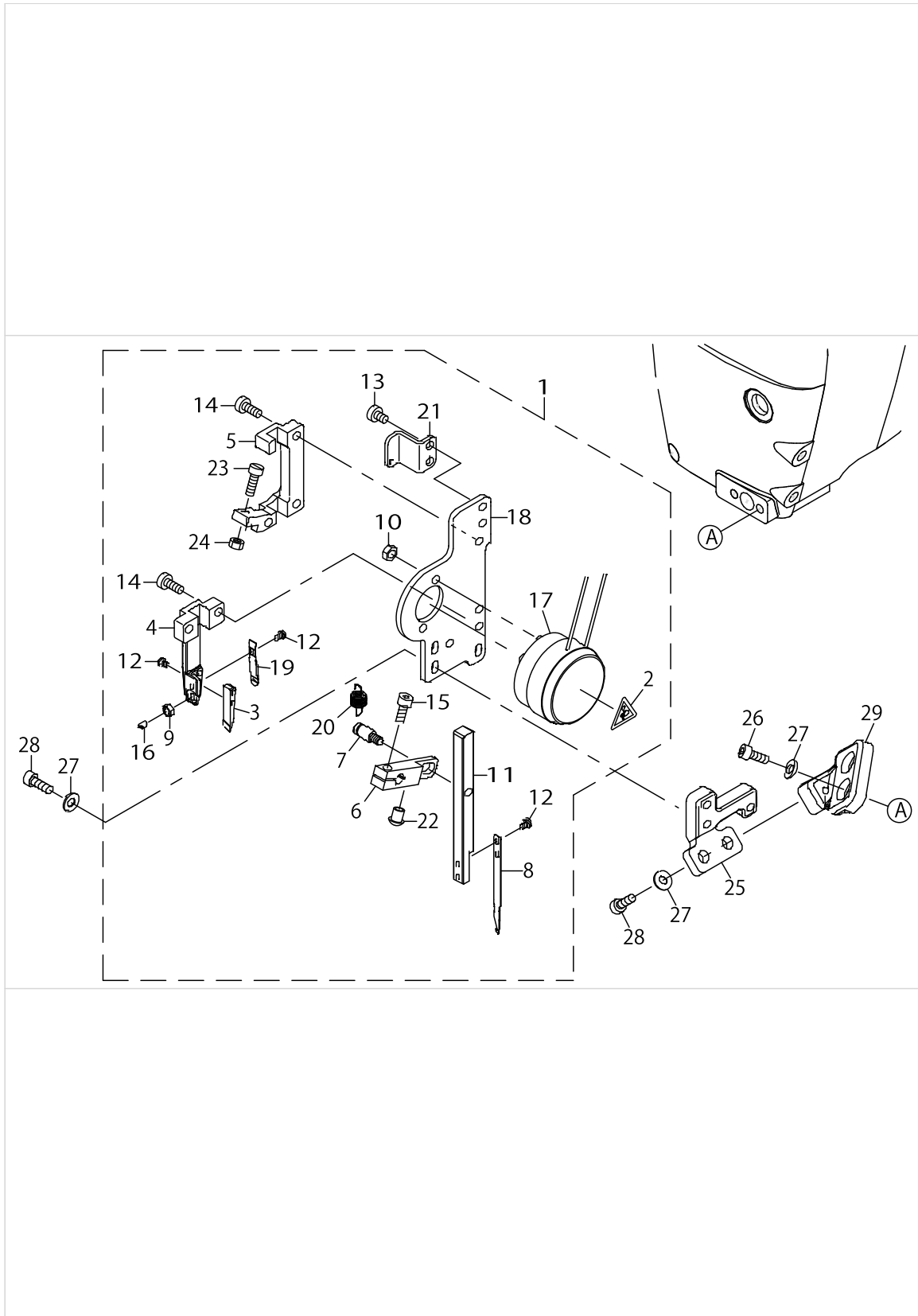
ELECTROMAGNETIC THREAD TRIMMER DRIVE & PRESSER FEED LIFTER COMPONENTS



ELECTROMAGNETIC THREAD TRIMMER DRIVE & PRESSER FEED LIFTER COMPONENTS

No.	Supply Code	Parts No.	Replacement	Parts name	Remarks	Choice	Step	Level	Cons	Qty	Rep. QTY
47		SM6040802TN		SCREW				*		2	
48		13443205		SWITCH_PLATE				*		1	
49		SM4040655SP		SCREW M4 L=6				*		2	
50		13443106		TENS_RELEASE_PLATE_UT				*		1	
51		SM4040855SP		SCREW				*		2	
52		40040661		BUSHING_UT_SHAFT				*		1	
53		22901805		GROUND MARK				*		1	
54		WP0550800SP		WASHER 5.5X10X0.8				*		4	
55		40038380		BUSHING_UT_SHAFT_RIGHT				*		1	
56		40038259		WASHER				*		1	
57		SM6061602TP		SCREW M6 L=16						3	
58		HX00314000A		SPIRAL TUBE						.6	
59		HX00150000D		CABLE CLIP						3	
60		SM4040655SP		SCREW M4 L=6						3	
61		13443304		TENSION_RELEASE_LEVER						1	
62		SM6041202TP		SCREW M4X0.7 L=12						1	
63		SM4041655SP		SCREW M4 L=16						1	
64		SD0700706TP		SHOULDER SCREW						1	
65		40021746		UNDER_TRIMMER_S- SENSOR_CABLE_ASM						1	

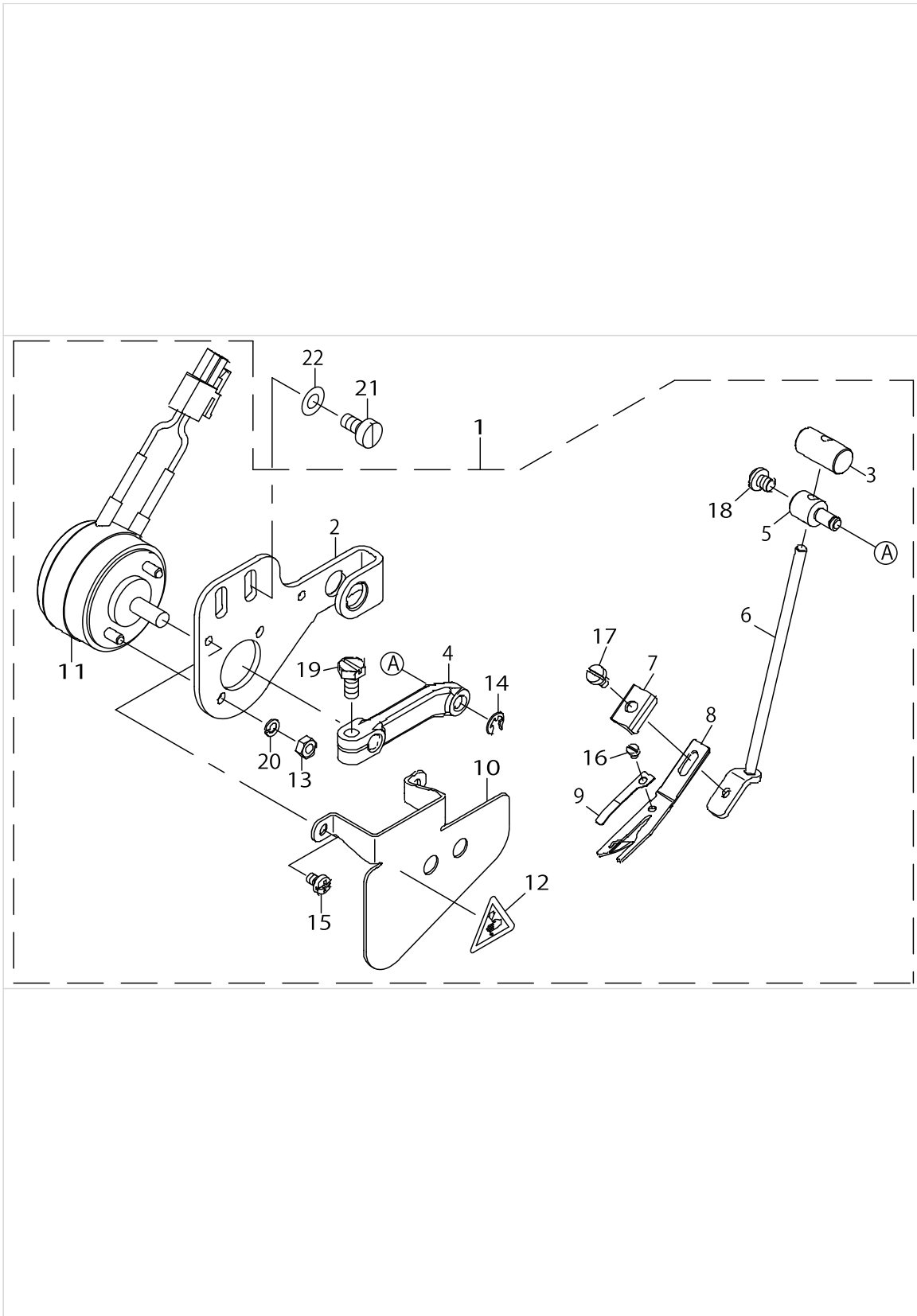
TOP COVER THREAD TRIMMER COMPONENTS



TOP COVER THREAD TRIMMER COMPONENTS

No.	Supply Code	Parts No.	Replacement	Parts name	Remarks	Choice	Step	Level	Cons	Qty	Rep. QTY
1		40029821		U_L_THD_TRIMMER_ASSY						1	
2		CM300200001		ATTENTION SEAL				*		1	
3		40029004		FIXED_KNIFE				*		1	
4		40029005		FIXED_KNIFE_HOLDER				*		1	
5		40024103		HOLDER_GUIDE				*		1	
6		40029006		LEVER				*		1	
7	D	40029007		LEVER_PIN				*		1	
8		40029008		MOVING_KNIFE				*		1	
9		NM6030001SD		NUT M3X0.5				*		1	
10		NM6040001SP		NUT M4X0.7				*		2	
11		40029010		ROD				*		1	
12		SM4850455SP		SCREW				*		5	
13		SM6040600SP		SCREW M4 L=6				*		2	
14		SM6041000SP		SCREW M4 L=10				*		5	
15		SM6041002TP		SCREW M4 L=10				*		1	
16		SM8030450SP		SCREW M3 L=4				*		1	
17		M85186300A0		THREAD TENSION SOLENOID ASM.				*		1	
18		40029011		SOLENOID_BASE				*		1	
19		13458401		SPRING				*		1	
20		40029012		SPRING				*		1	
21		40029013		SPRING_HOOK_BASE				*		1	
22		TA0550604R0		RUBBER PLUG				*		1	
23		SM6041200SP		SCREW M4 L=12				*		1	
24		NM6040001SP		NUT M4X0.7				*		1	
25	D	40029003		BRACKET2						1	
26		SM6041002TN		BOLT						2	
27		WP0450826SC		WASHER 4.5X10X0.8						5	
28		SM6041202TN		SCREW M4X0.7 L=12						5	
29		40029002		BRACKET1						1	

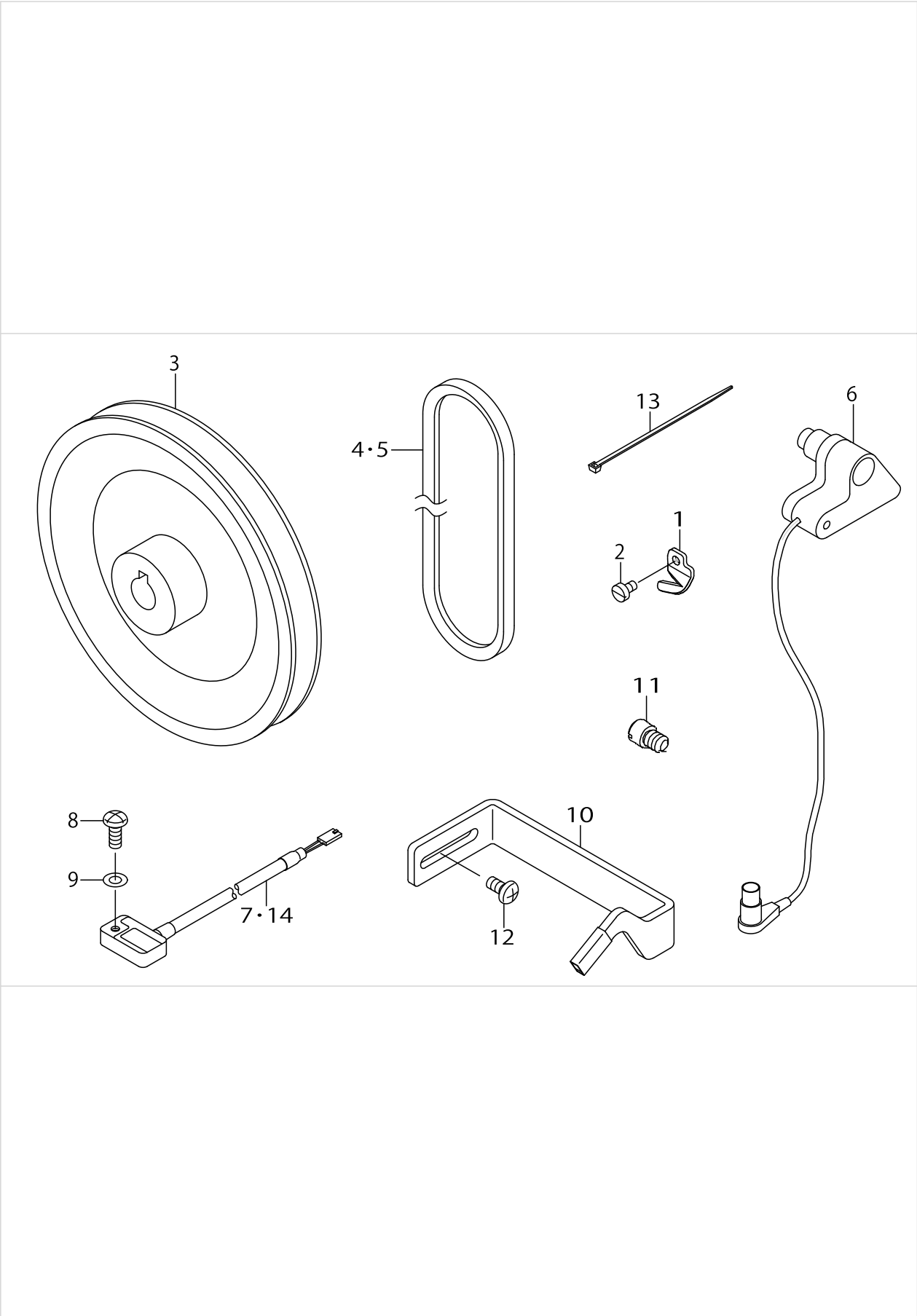
NEEDLE THREAD WIPER COMPONENTS



NEEDLE THREAD WIPER COMPONENTS

No.	Supply Code	Parts No.	Replacement	Parts name	Remarks	Choice	Step	Level	Cons	Qty	Rep. QTY
1		40031642		NEEDLE_THREAD_WIPER_ASSY						1	
2		40031388		SOLENOID_BRACKET				*		1	
3		40031390		WIPER_BAR_GUIDE				*		1	
4		40031391		SOLENOID_LEVER				*		1	
5		40031392		SOLENOID_LEVER_PIN				*		1	
6		40031394		WIPER_BAR_ASSY				*		1	
7		40031396		WIPER HOLDER				*		1	
8		40031397		WIPER				*		1	
9		40031399		THD_CLAMP_SPRING				*		1	
10		40031402		SAFETY_COVER				*		1	
11		40032661		ROTARY_SOLENOID_ASSY				*		1	
12		CM300200001		ATTENTION SEAL				*		1	
13		NM6030001SN		NUT				*		2	
14		RE0300000K0		E-RING 3				*		1	
15		SM4030455SP		SCREW				*		2	
16		SM6020250TP		SCREW.				*		1	
17		SM6030500SN		SCREW M3 L=5				*		1	
18		SM6040450TP		SCREW M4 L=4				*		1	
19		SM9040800SP		SCREW				*		1	
20		WS0310002KN		SPRING WASHER M3				*		2	
21		SM6040800SP		SCREW						2	
22		WP0450826SC		WASHER 4.5X10X0.8						2	

ACCESSORIE PART COMPONENTS



ACCESSORIE PART COMPONENTS

No.	Supply Code	Parts No.	Replacement	Parts name	Remarks	Choice	Step	Level	Cons	Qty	Rep. QTY
1		13316302		THREAD_TRIMMER						1	
2		SM6030500SN		SCREW M3 L=5						1	
3		MTSP0115000A		MOTOR PULLEY	FOR SC-510					1	
4		MTJVM004000		V-BELT, 40 INCH	FOR SC-510					1	
5		MTJVM003900		V-BELT, 39 INCH	FOR SC-500					1	
6		40026921		SYNCHRONIZER						1	
7		40021727		RESISTOR PACK BL ASM.	FOR MF-7-800(SC-500)					1	
8		SM4041055SP		SCREW	FOR SC-500					1	
9		WP0430800SD		WASHER M4	FOR SC-500					1	
10		40082313		STOPPER ASM						1	
11		40038326		SOLENOID_BRACKET_PIN						1	
12		SM4040855SP		SCREW						2	
13		EA9500B0100		CABLE BAND						1	
14		40083598		RESISTOR PACK AA ASM.	FOR MF-7-800D(SC-500)					1	

HOW TO MAKE USE OF THIS PARTS LIST

- 1.As to "#01" and "#02" refer to the "Note" given at the bottom of the respective pages.
- 2.Codes on the "Qty" column
 - Each numeral indicates the number of parts required.
 - "0.1" and "2.5" indicate the length (in meters) of the respective parts.
- 3.Parentheses mean that the corresponding part is a subpart that constructs an assembly part.
- 4.Dotted lines on the Figures indicate assembly parts.

ALL PARTS NOT MENTIONED IN THIS PARTS LIST ARE SAME AS THOSE OF
MODEL MF-7800. OTHER PARTS LIST RELATED TO THIS MODEL.
*MF-7800 SERIES (NO.1379 PART NO.13450002)

NUMERICAL INDEX OF PARTS

PART NO	PAGE	REF NO.	PART NO	PAGE	REF NO.	PART NO	PAGE	REF NO.
13137609	4	21	13456553	2	1	40032703	10	9
13137906	4	22	13456603	4	28	40038259	12	56
13138201	4	20	13458401	14	19	40038326	18	11
13140504	4	23	22901805	12	53	40038380	12	55
13316302	18	1	40021727	18	7-14	40039669	10	32
13340203	2	11	40021746	12	65	40039670	10	27
13340302	2	12	40024097	10	36	40040271	10	22
13340500	4	25	40024101	10	46	40040661	12	52
13340609	2	17	40024103	14	5	40040662	10	30
13340708	2	18	40025989	8	26	40042567	10	40
13340807	2	19	40025990	8	25	40065784	2	15
13340807	4	19	40026174	8	1	40065785	2	5
13340906	4	24	40026848	10	31	40066136	2	10
13341607	2	16	40026921	18	6	40070110	8	28
13341706	2	13	40026935	10	23	40070201	8	2
13440102	8	4	40029002	14	29	40082313	18	10
13440201	8	12	40029003	14	25	40083598	18	7-14
13440300	8	24	40029004	14	3	B1515210D00	10	33
13440409	8	3	40029005	14	4	B2008372000	2	14
13440508	8	36	40029006	14	6	B3121804000	4	26
13440607	8	31	40029007	14	7	CM300200001	14	2
13440706	8	32	40029008	14	8	CM300200001	16	12
13440805	8	7	40029010	14	11	CS0800881TP	10	38
13440904	8	9	40029011	14	18	EA9500B0100	18	13
13441001	8	10	40029012	14	20	GAK3303600A	10	8
13441308	8	5	40029013	14	21	HX00150000D	12	59
13441407	8	20	40029821	14	1	HX00314000A	12	58
13441506	8	17	40030477	10	1	M85186300A0	14	17
13441605	8	14	40030478	10	2	MTJVM003900	18	4-5
13441704	8	21	40030482	10	21	MTJVM004000	18	4-5
13441803	8	15	40031388	16	2	MTSP0115000A	18	3
13441902	8	13	40031390	16	3	NM6030001SD	14	9
13442207	8	19	40031391	16	4	NM6030001SN	16	13
13442702	10	35	40031392	16	5	NM6040001SP	8	29
13442900	10	42	40031394	16	6	NM6040001SP	14	24
13443007	10	44	40031396	16	7	NM6080003SC	10	37
13443106	12	50	40031397	16	8	RE0250000K0	8	27
13443205	12	48	40031399	16	9	RE0300000K0	2	4
13443304	12	61	40031402	16	10	RE0300000K0	16	14
13443601	10	41	40031642	16	1	SD0700706TP	12	64
13455100	10	12	40032444	10	3	SM1020450TP	8	16
13456009	6	31	40032445	10	4	SM1040860SP	8	35
13456108	2	8	40032446	10	13	SM4030455SP	16	15
13456207	4	29	40032447	10	10	SM4030855SN	10	16
13456405	2	2	40032661	16	11	SM4040655SN	8	34

NUMERICAL INDEX OF PARTS

PART NO	PAGE	REF NO.	PART NO	PAGE	REF NO.
SM4040655SP	2	6	WP0431005SP	8	30
SM4040655SP	12	60	WP0450826SC	10	17
SM4040855SP	12	51	WP0450826SC	14	27
SM4040855SP	18	12	WP0450826SC	16	22
SM4041055SP	2	9	WP0550800SP	10	54
SM4041055SP	18	8	WP0550800SP	12	54
SM4041655SP	2	7	WP0560860SE	10	34
SM4041655SP	12	63	WP0621016SD	10	26
SM4050655SP	10	28	WS0310002KN	16	20
SM4051055SP	10	5	WS0510002KP	10	6
SM4850455SP	14	12	WS0610002KP	10	19
SM6020250TP	8	8			
SM6020250TP	16	16			
SM6020600TP	8	22			
SM6021000TP	8	23			
SM6030350SN	8	33			
SM6030500SN	16	17			
SM6030500SN	18	2			
SM6040450TP	16	18			
SM6040460TP	8	11			
SM6040600SP	14	13			
SM6040800SP	16	21			
SM6040802TN	12	47			
SM6040870SP	8	37			
SM6041000SP	14	14			
SM6041002TN	14	26			
SM6041002TP	14	15			
SM6041200SP	14	23			
SM6041202TN	14	28			
SM6041202TP	12	62			
SM6051002TP	10	43			
SM6061010TP	10	25			
SM6061200SP	10	14			
SM6061202TP	10	45			
SM6061400SP	10	18			
SM6061602TP	12	57			
SM8030412TP	4	27			
SM8030450SP	14	16			
SM8040360TP	2	30			
SM8040360TP	4	30			
SM8050412TP	10	39			
SM8050602TP	10	11			
SM9040800SP	16	19			
TA0550604R0	14	22			
WP0430800SD	18	9			