

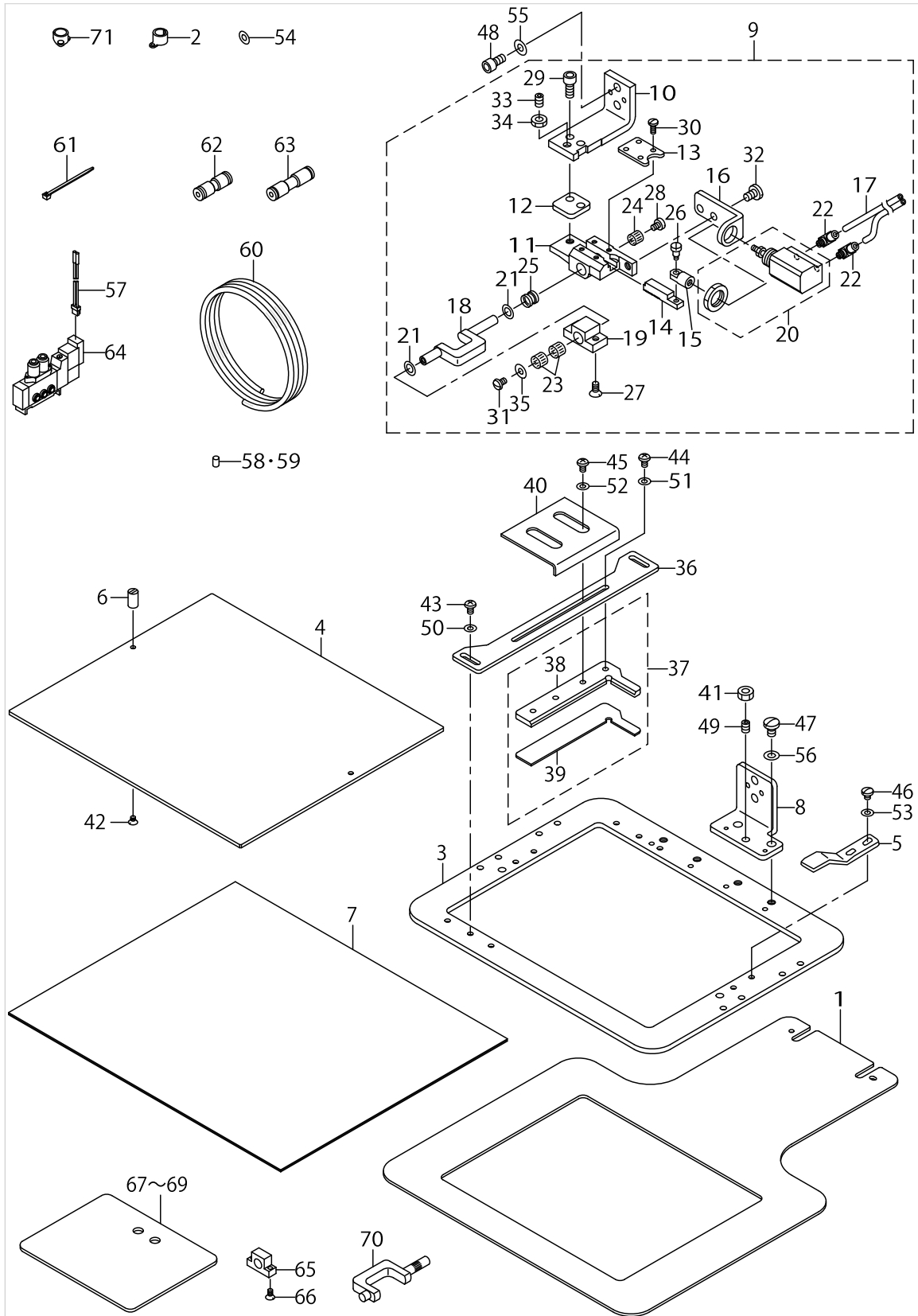
MODEL : FU-06
List No : 1464-00

PARTS LIST

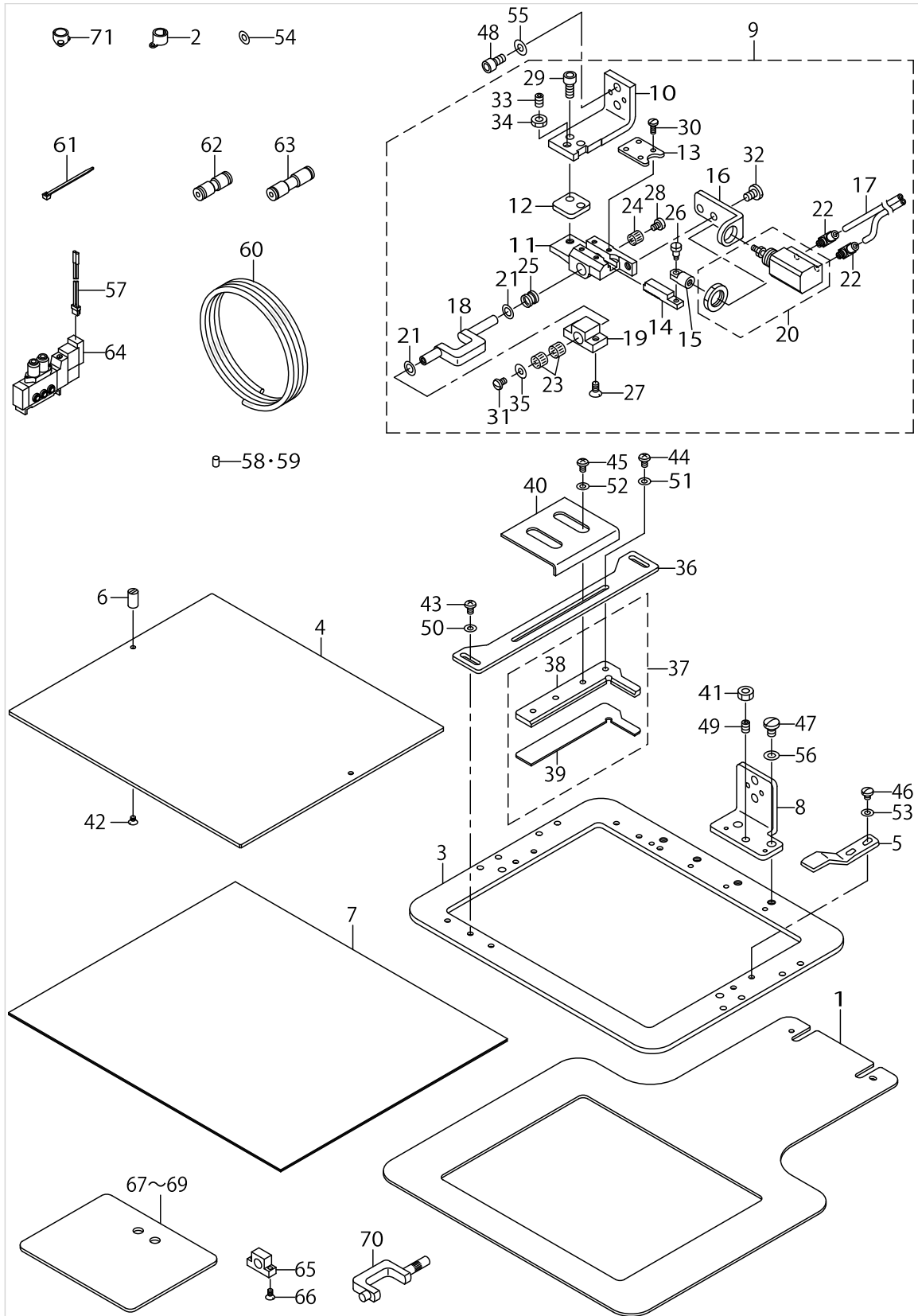
Published:05/12/2017

CONTENTS

| | |
|--|---|
| FU-06..... | 1 |
| HOW TO MAKE USE OF THIS PARTS LIST | 5 |



| No. | Supply Code | Parts No. | Replacement | Parts name | Remarks | Choice | Step | Level | Cons | Qty | Rep. QTY |
|-----|-------------|-------------|-------------|--------------------------|---------|--------|------|-------|------|-----|----------|
| 1 | | 40045524 | | LOWER PLATE | | | | | | 1 | |
| 2 | R | B1406210000 | 40026884 | THREAD GUIDE | | | | | | 1 | 1.00 |
| 3 | | B2553215A00 | | FRAME | | | | | | 1 | |
| 4 | | B2557215A00 | | PLASTICS BLANK | | | | | | 2 | |
| 5 | | B2558220000 | | PLASTIC BLANK PLATE | | | | | | 2 | |
| 6 | | B2559220000 | | HINGE PIN | | | | | | 4 | |
| 7 | | B2564215A00 | | SPONGE | | | | | | 1 | |
| 8 | | B2604215AA0 | | PRESSER FOOT ASM., RIGHT | | | | | | 1 | |
| 9 | | B43012150A0 | | INNER PRESSER FOOT ASM. | | | | | | 1 | |
| 10 | | B4301215000 | | INNER PRESSER FOOT | | | | * | | 1 | |
| 11 | | B4302220000 | | BEARING | | | | * | | 1 | |
| 12 | | B4303220000 | | SPACER | | | | * | | 1 | |
| 13 | | B4304220000 | | SUPPORT RACK | | | | * | | 1 | |
| 14 | | B4305220000 | | TURN RACK | | | | * | | 1 | |
| 15 | | B4306220000 | | KNUCKLE | | | | * | | 1 | |
| 16 | | B4307220000 | | BRACKET | | | | * | | 1 | |
| 17 | | B4308215000 | | CYLINDER TUBE | | | | * | | 1 | |
| 18 | | B4309220000 | | CRANK SHAFT | | | | * | | 1 | |
| 19 | | B4320220000 | | SUPPORT BASE | | | | * | | 1 | |
| 20 | | B4327220000 | | CYLINDER | | | | * | | 1 | |
| 21 | | B4328220000 | | WASHER | | | | * | | 2 | |
| 22 | | PJ046052503 | | HOSE ELBOW | | | | * | | 2 | |
| 23 | | SB307000100 | | NEEDLE BEARING | | | | * | | 2 | |
| 24 | | SB307000100 | | NEEDLE BEARING | | | | * | | 1 | |
| 25 | | SB307000200 | | BEARING | | | | * | | 1 | |
| 26 | | SD0460703TP | | HINGE SCREW D=4.6 H=7 | | | | * | | 1 | |
| 27 | | SS1121010SP | | SCREW | | | | * | | 2 | |
| 28 | | SS6110640SP | | SCREW 11/64-40 L=6 | | | | * | | 1 | |
| 29 | | SS6151412TP | | SCREW 15/64-28 L=14 | | | | * | | 2 | |
| 30 | | SS7090910TP | | SCREW 9/64-40 L=8.5 | | | | * | | 4 | |
| 31 | | SS5110710SP | | SCREW 11/64-40 L=7 | | | | * | | 1 | |
| 32 | | SS7150940SP | | SCREW 15/64-28 L=9 | | | | * | | 2 | |
| 33 | | SS8150912TH | | SCREW 15/64-28 L=9 | | | | * | | 1 | |
| 34 | | NS6150310SP | | NUT 15/64-28 | | | | * | | 1 | |
| 35 | | B322877100B | | BOBBIN WINDER SPACER | | | | * | | 1 | |
| 36 | D | B4310215000 | | LABEL GUIDE A | | | | | | 1 | |
| 37 | | B43112200A0 | | LABEL GUIDE B ASM. | | | | | | 1 | |
| 38 | D | B4311220000 | | LABEL GUIDE B | | | | * | | 1 | |
| 39 | D | B4315220000 | | SEAT | | | | * | | 1 | |
| 40 | | B4312220000 | | LABEL GUIDE C | | | | | | 1 | |
| 41 | | NS6150330SD | | NUT 15/64-28 | | | | | | 1 | |
| 42 | | SS1090510SP | | SCREW 9/64-40 L=5 | | | | | | 4 | |
| 43 | | SS4110715SP | | SCREW 11/64-40 L=7 | | | | | | 2 | |
| 44 | | SS4110715SP | | SCREW 11/64-40 L=7 | | | | | | 2 | |
| 45 | | SS4110715SP | | SCREW 11/64-40 L=7 | | | | | | 2 | |
| 46 | | SS7110510SP | | SCREW 11/64-40 L=5 | | | | | | 4 | |



FU-06

| No. | Supply Code | Parts No. | Replacement | Parts name | Remarks | Choice | Step | Level | Cons | Qty | Rep. QTY |
|-----|-------------|-------------|-------------|-------------------------------|-----------------------------------|--------|------|-------|------|-----|----------|
| 47 | | SS7150910TP | | SCREW 15/64-28 L=9 | | | | | | 2 | |
| 48 | | SM6061202TP | | SCREW M6 L=12 | | | | | | 2 | |
| 49 | | SS8150822TP | | SCREW 15/64-28 L=8 | | | | | | 1 | |
| 50 | | WP0450000SD | | WASHER 4.5X8X0.5 | | | | | | 2 | |
| 51 | | WP0450000SD | | WASHER 4.5X8X0.5 | | | | | | 2 | |
| 52 | | WP0450000SD | | WASHER 4.5X8X0.5 | | | | | | 2 | |
| 53 | | WP0450801SD | | WASHER 4.5X10X0.8 | | | | | | 4 | |
| 54 | | WP0502616SD | | WASHER | | | | | | 1 | |
| 55 | | WP0651056SD | | WASHER 6.5X11X1 | | | | | | 2 | |
| 56 | | WP0651056SD | | WASHER 6.5X11X1 | | | | | | 2 | |
| 57 | | 40035324 | | SOLENOID VALVE CONNECTOR ASM. | | | | | | 1 | |
| 58 | | B471122000I | | AIR TUBE LABEL J07 | | | | | | 1 | |
| 59 | | B471122000J | | AIR TUBE LABEL J08 | | | | | | 1 | |
| 60 | | BT0400251EB | | URETHANE HOSE, BLACK | | | | | | 2 | |
| 61 | | HX002330000 | | CLIP | | | | | | 5 | |
| 62 | | PJ303040002 | | STRAIGHT UNION | | | | | | 1 | |
| 63 | | PJ303040004 | | QUICK COUPLING | | | | | | 1 | |
| 64 | | PV150209000 | | 5 PORT SOLENOID VALVE | | | | | | 1 | |
| 65 | | B4316220000 | | SUPPORT BASE B | OPTIONAL PARTS | | | | | 1 | |
| 66 | | SS1090750SP | | SCREW 9/64-40 L=7 | OPTIONAL PARTS | | | | | 2 | |
| 67 | | B4317220000 | | LARGE BLANK (DIAMOND CUT) | OPTIONAL PARTS | | | | | 1 | |
| 68 | | B4318220000 | | MIDDLE BLANK (DIAMOND CUT) | OPTIONAL PARTS | | | | | 1 | |
| 69 | | B4319220000 | | SMALL BLANK (DIAMOND CUT) | OPTIONAL PARTS | | | | | 1 | |
| 70 | | B4326220000 | | CRANK SHAFT B | OPTIONAL PARTS | | | | | 1 | |
| 71 | | B1406215P00 | | THREAD GUIDE H | FOR PERFECT STITCH SPECIFICATIONS | | | | | 1 | |

HOW TO MAKE USE OF THIS PARTS LIST

1.As to "#01" and "#02" refer to the "Note" given at the bottom of the respective pages.

2.Codes on the "Qty" column

- Each numeral indicates the number of parts required.
- "0.1" and "2.5" indicate the length (in meters) of the respective parts.

3.Parentheses mean that the corresponding part is a subpart that constructs an assembly part.

4.Dotted lines on the Figures indicate assembly parts.

1. リストページの# 0 1、# 0 2の印は、ページ下の"注記"の説明を参照下さい。
2. 数量欄の数字は、個数を表し、0. 1、2. 5等の数値は、長さ（単位メートル）を表します。
3. 数量欄の（ ）は、組部品を構成している子部品であることを意味します。
4. イラストページの-----枠は、組構成であることを意味します。

NUMERICAL INDEX OF PARTS

| PART NO | PAGE | REF NO. | PART NO | PAGE | REF NO. |
|-------------|------|---------|-------------|------|---------|
| 40035324 | 4 | 57 | SB307000200 | 2 | 25 |
| 40045524 | 2 | 1 | SD0460703TP | 2 | 26 |
| B1406210000 | 2 | 2 | SM6061202TP | 4 | 48 |
| B1406215P00 | 4 | 71 | SS1090510SP | 2 | 42 |
| B2553215A00 | 2 | 3 | SS1090750SP | 4 | 66 |
| B2557215A00 | 2 | 4 | SS1121010SP | 2 | 27 |
| B2558220000 | 2 | 5 | SS4110715SP | 2 | 45 |
| B2559220000 | 2 | 6 | SS5110710SP | 2 | 31 |
| B2564215A00 | 2 | 7 | SS6110640SP | 2 | 28 |
| B2604215AA0 | 2 | 8 | SS6151412TP | 2 | 29 |
| B322877100B | 2 | 35 | SS7090910TP | 2 | 30 |
| B4301215000 | 2 | 10 | SS7110510SP | 2 | 46 |
| B43012150A0 | 2 | 9 | SS7150910TP | 4 | 47 |
| B4302220000 | 2 | 11 | SS7150940SP | 2 | 32 |
| B4303220000 | 2 | 12 | SS8150822TP | 4 | 49 |
| B4304220000 | 2 | 13 | SS8150912TH | 2 | 33 |
| B4305220000 | 2 | 14 | WP0450000SD | 4 | 52 |
| B4306220000 | 2 | 15 | WP0450801SD | 4 | 53 |
| B4307220000 | 2 | 16 | WP0502616SD | 4 | 54 |
| B4308215000 | 2 | 17 | WP0651056SD | 4 | 56 |
| B4309220000 | 2 | 18 | | | |
| B4310215000 | 2 | 36 | | | |
| B4311220000 | 2 | 38 | | | |
| B43112200A0 | 2 | 37 | | | |
| B4312220000 | 2 | 40 | | | |
| B4315220000 | 2 | 39 | | | |
| B4316220000 | 4 | 65 | | | |
| B4317220000 | 4 | 67~69 | | | |
| B4318220000 | 4 | 67~69 | | | |
| B4319220000 | 4 | 67~69 | | | |
| B4320220000 | 2 | 19 | | | |
| B4326220000 | 4 | 70 | | | |
| B4327220000 | 2 | 20 | | | |
| B4328220000 | 2 | 21 | | | |
| B471122000I | 4 | 58·59 | | | |
| B471122000J | 4 | 58·59 | | | |
| BT0400251EB | 4 | 60 | | | |
| HX002330000 | 4 | 61 | | | |
| NS6150310SP | 2 | 34 | | | |
| NS6150330SD | 2 | 41 | | | |
| PJ046052503 | 2 | 22 | | | |
| PJ303040002 | 4 | 62 | | | |
| PJ303040004 | 4 | 63 | | | |
| PV150209000 | 4 | 64 | | | |
| SB307000100 | 2 | 24 | | | |