

MODEL : AH5/AH6/AH7/AH8 G仕様

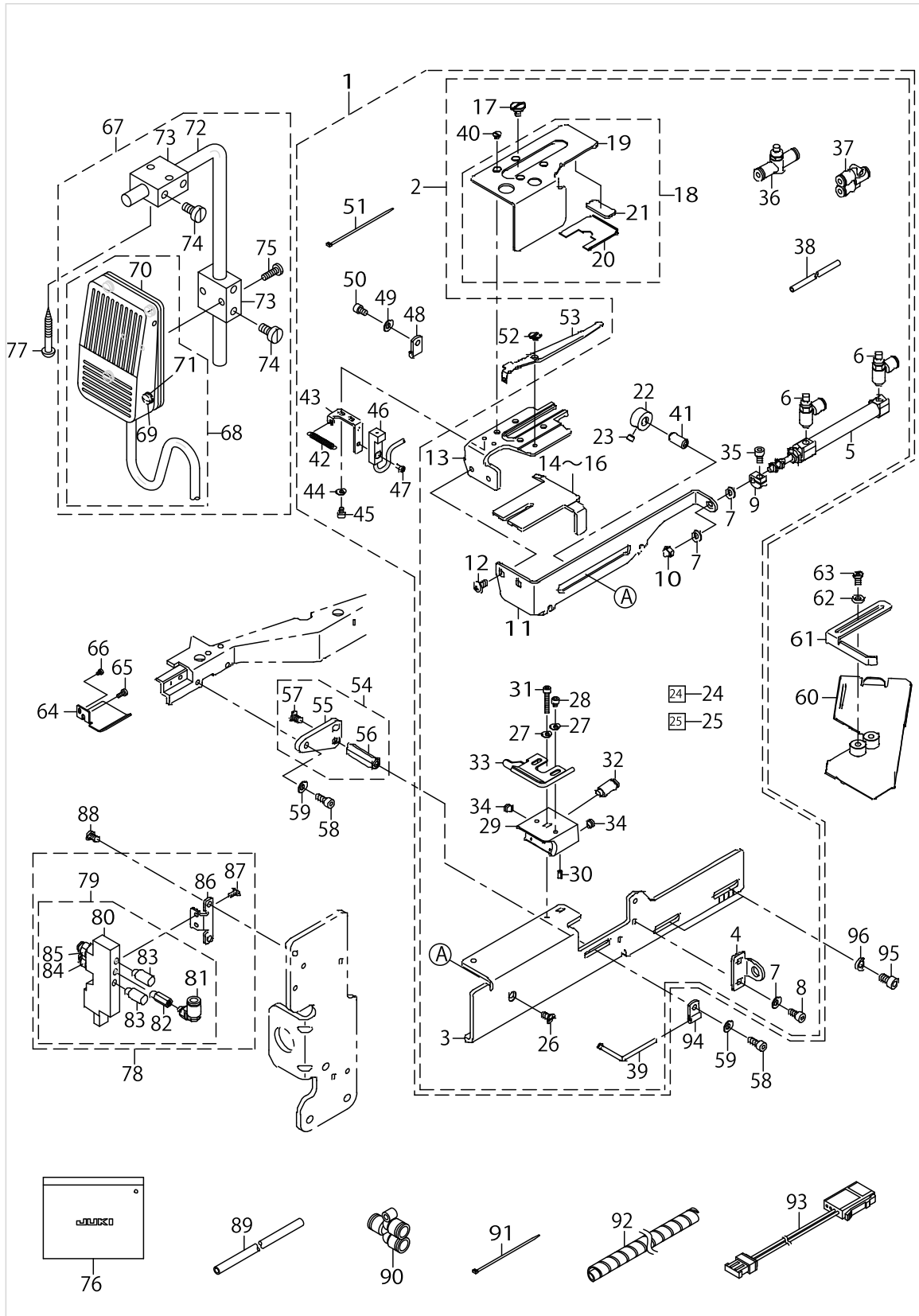
List No : 1468-00

PARTS LIST

Published:05/12/2017

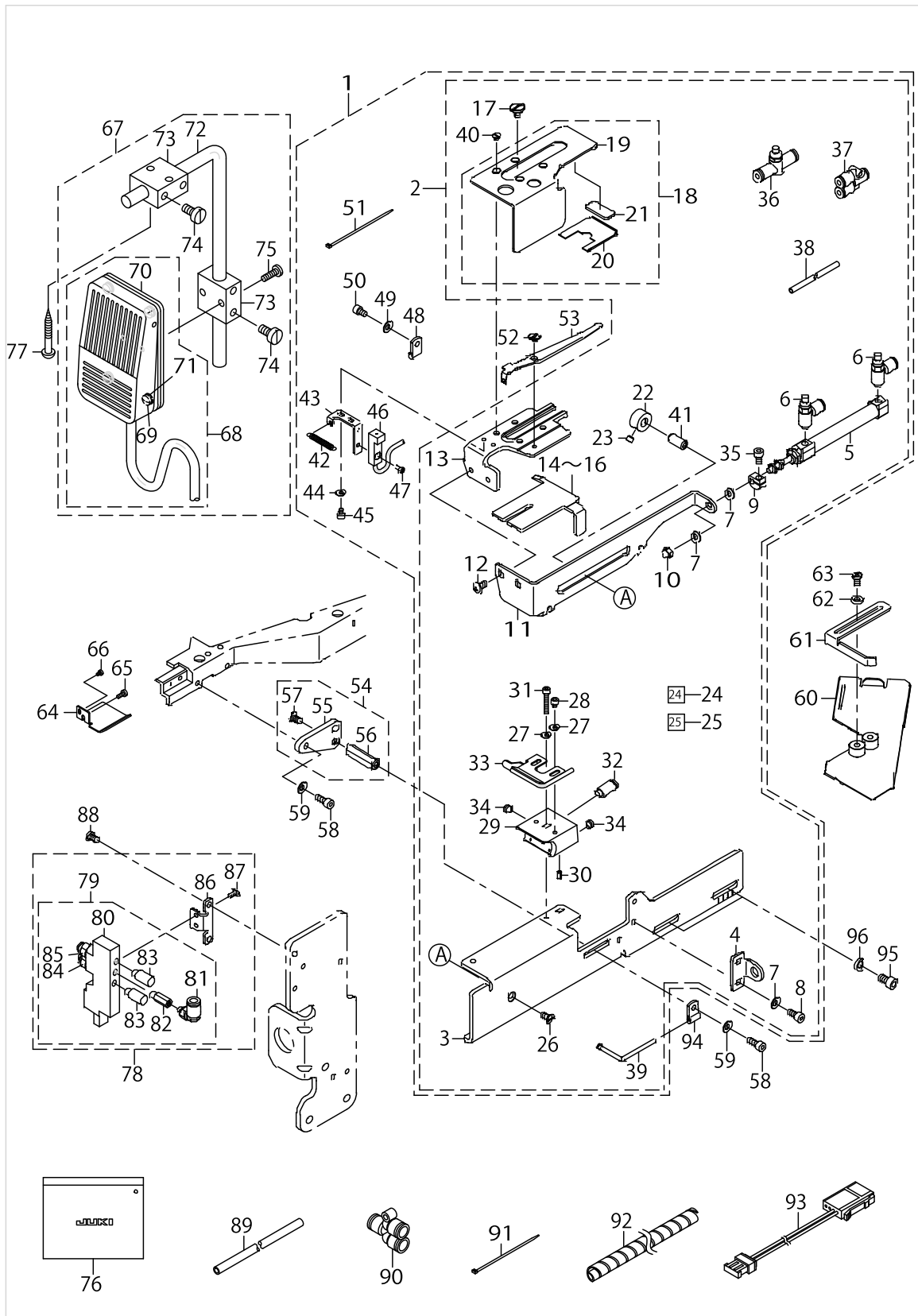
CONTENTS

AH5/AH6.....	1
AH7/AH8.....	7
HOW TO MAKE USE OF THIS PARTS LIST	11



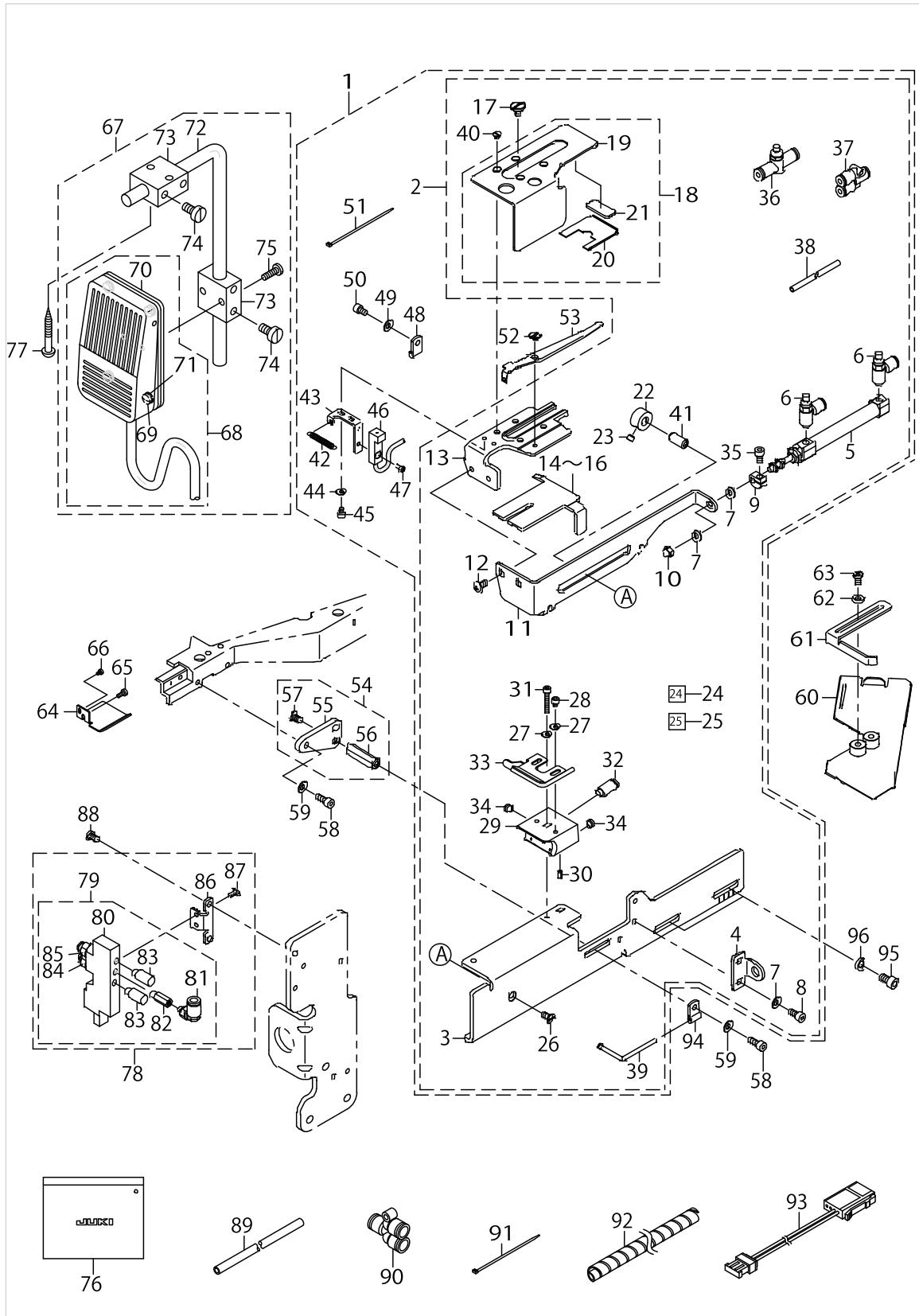
AH5/AH6

No.	Supply Code	Parts No.	Replacement	Parts name	Remarks	Choice	Step	Level	Cons	Qty	Rep. QTY
1		40052748		AH6_ASSY	FOR AH6					1	
2		40052747		AH5_ASSY				*		1	
3		40044951		ATTACHEMENT_BRACKET(U10)				*		1	
4		40044945		CYLINDER_BRACKET				*		1	
5		PA1004510A0		AIR CYLINDER				*		1	
6		PC010508000		SPEED CONTROLLER				*		2	
7		WP0430801SC		WASHER 4.3X9X0.8				*		4	
8		SM6040802TN		SCREW				*		2	
9		G5415254000		CYLINDER ADJUSTING COLLAR				*		1	
10		NM7040032SC		HEXAGONAL CAP NUT, TYPE 3 M4				*		1	
11		40044928		CYLINDER_PLATE				*		1	
12		SM0040801SC		SCREW				*		2	
13		40044938		HOLDER_BRACKET				*		1	
14		40044942		EGRESS_PLATE_B (T=2.6)				*		1	
15		40044941		EGRESS_PLATE_A (T=1.6)	OPTIONAL PARTS			*		1	
16		40044943		EGRESS_PLATE_C (T=3.6)	OPTIONAL PARTS			*		1	
17		SD0700226TP		SHOULDER SCREW D=7 H=2.2				*		1	
18		40044958		HOLDER_UPPER_PLATE_ASSY				*		1	
19		40044934		HOLDER_UPPER_PLATE				*		1	
20		40044935		HOLDER_LOWER_PLATE				*		1	
21		40044955		LOWER_PLATE_SPACER				*		1	
22	R	CS0700881TP	40010434	THRUST COLLAR D=7 W=8				*		1	1.00
23		SM8050412TP		SCREW M5 L=4				*		2	
24		18037309		WIRE MARK (24)				*		1	
25		18037408		WIRE MARK (25)				*		1	
26		SM1040800SP		SCREW				*		1	
27		WP0320501SC		WASHER M3				*		3	
28		SM6030402TN		BOLT M3X4				*		2	
29		40044929		HEM_CAP				*		1	
30		PS0300062KH		SPRING PIN 3X6				*		1	
31		SM6032002TN		SCREW M3X0.5 L=20				*		1	
32		PJ210004200		HALF UNION				*		1	
33		40044930		WORK_GUIDE_ASSY				*		1	
34		SM8050412TP		SCREW M5 L=4				*		2	
35		SM6040802TN		SCREW				*		1	
36		PC012406000		SPEED CONTROLLER				*		2	
37		PJ308040006		UNION				*		3	
38		BT0400251EB		URETHANE HOSE, BLACK				*		2.58	
39		40044940		AIR_NOZZLE				*		1	
40		SM1030400SP		SCREW M3 L=4				*		4	
41		40044944		STUD				*		1	
42		40044949		SENSOR_SPRING	FOR AH6			*		1	
43		40044948		SENSOR_BRACKET	FOR AH6			*		1	
44		WP0320501SC		WASHER M3	FOR AH6			*		2	
45		SM6030402TN		BOLT M3X4	FOR AH6			*		2	
46		40052573		CLOTH SENSOR CORD ASM.	FOR AH6			*		1	



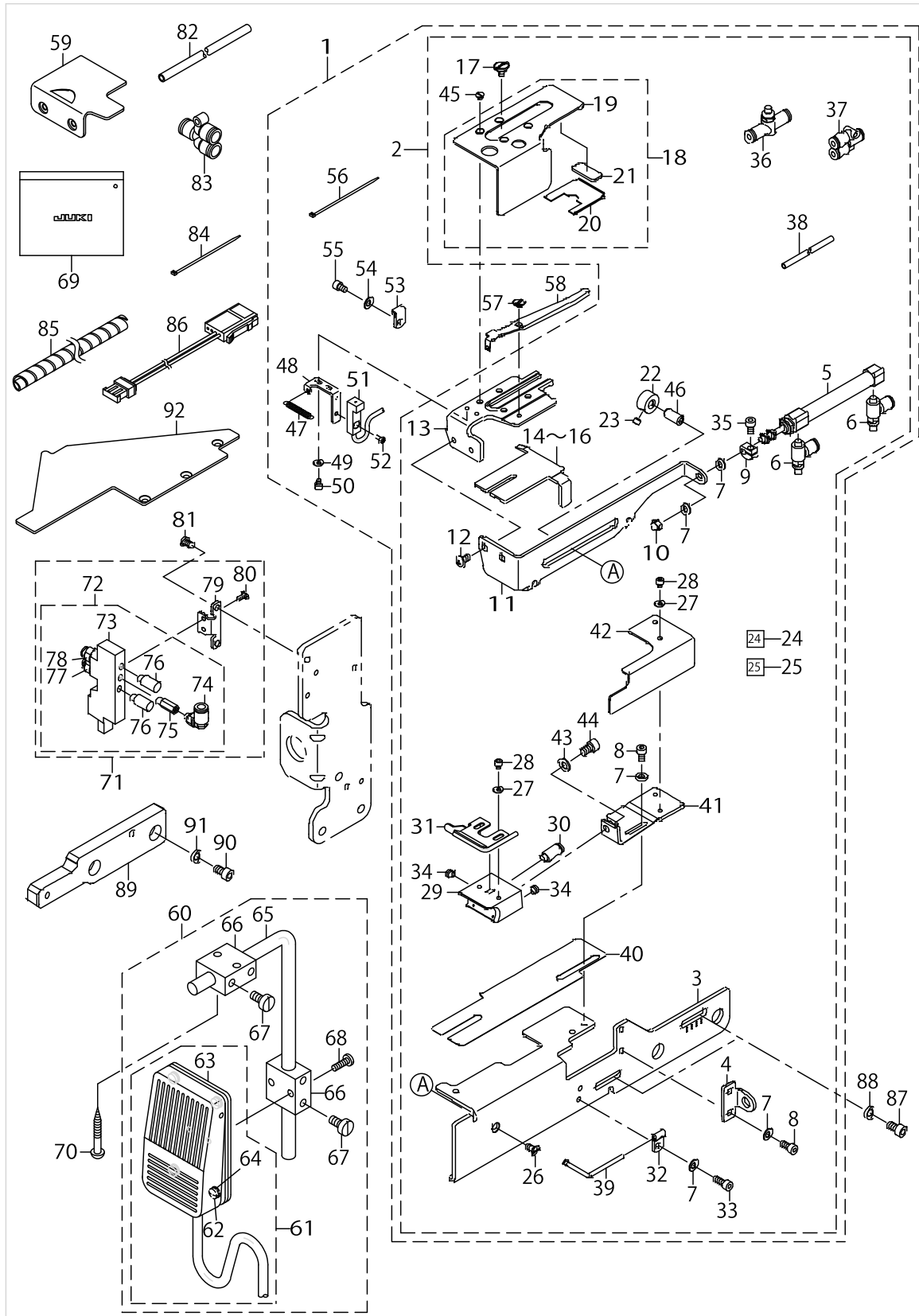
AH5/AH6

No.	Supply Code	Parts No.	Replacement	Parts name	Remarks	Choice	Step	Level	Cons	Qty	Rep. QTY
47		SM4860601SC		SCREW M2.6 L=6	FOR AH6			*		1	
48		HX001500000		CLIP	FOR AH6			*		1	
49		WP0430801SC		WASHER 4.3X9X0.8	FOR AH6			*		1	
50		SM6040602TN		BOLT	FOR AH6			*		1	
51		EA9500B0100		CABLE BAND	FOR AH6			*		2	
52		SD0500126TP		SHOULDER SCREW D=5 H=1.2	FOR AH6			*		1	
53		40044947		SENSOR_PLATE	FOR AH6			*		1	
54		40044957		STAND_ASSY						1	
55		40044952		STAND_BASE				*		1	
56		40044953		STAND				*		1	
57		SM1040800SP		SCREW				*		1	
58		SM6041002TN		BOLT						3	
59		WP0430801SC		WASHER 4.3X9X0.8						3	
60		40053156		SLIDE_COVER_ASSY_U10_AH						1	
61		40040255		HEM_GUIDE						1	
62		WP0430801SC		WASHER 4.3X9X0.8						2	
63		SM4040855SP		SCREW						2	
64		40044954		FABRIC_GUIDE						1	
65		SM6850600SP		SCREW						1	
66		SM6020350SP		SCREW M2 L=2.5						1	
67		40052656		SWITCH C ASSY						1	
68		40052655		SWITCH CABLE C ASSY				*		1	
69		SS7110710SL		SCREW 11/64-40 L=7.0				*		4	
70	D	MAT80232T00		KNEE SWITCH SUPPORT PLATE				*		1	
71		WP0480856SP		WASHER 4.8X8.4X0.8				*		4	
72		MAT80231T00		DRIVING BAR, T002				*		1	
73		MAT80230T00		KNEE SWITCH SUPPORT BASE				*		2	
74		SS6151220SP		SCREW 15/64-28 L=11.5				*		4	
75		SS7111410TP		SCREW 11/64-40L=14				*		2	
76		22932800		ACCESSORIE BAG						1	
77	R	SK3514000SC	SK3514001SE	WOOD SCREW D=5.1 L=40						2	1.00
78		40044959		SOLENOID_VALVE_ASSY						1	
79	D	40044956		SOLENOID_VALVE_ASSY				*		1	
80		PV150204000		SOLENOID VALVE				*		1	
81		PJ304040505		ELBOW				*		1	
82		PJ010505001		JOINT				*		1	
83		PX050501000		SILENCER				*		2	
84		18037309		WIRE MARK (24)				*		1	
85		18037408		WIRE MARK (25)				*		1	
86		40044946		SOLENOID_VALVE_BKT				*		1	
87		SM6030600SP		SCREW M3X0.5 L=6				*		2	
88		SM4040655SP		SCREW M4 L=6						2	
89		BT0600401EB		TUBE						1	
90		PJ308060003		Y UNION						1	
91		EA9500B0100		CABLE BAND						3	
92		HX00314000A		SPIRAL TUBE						.5	



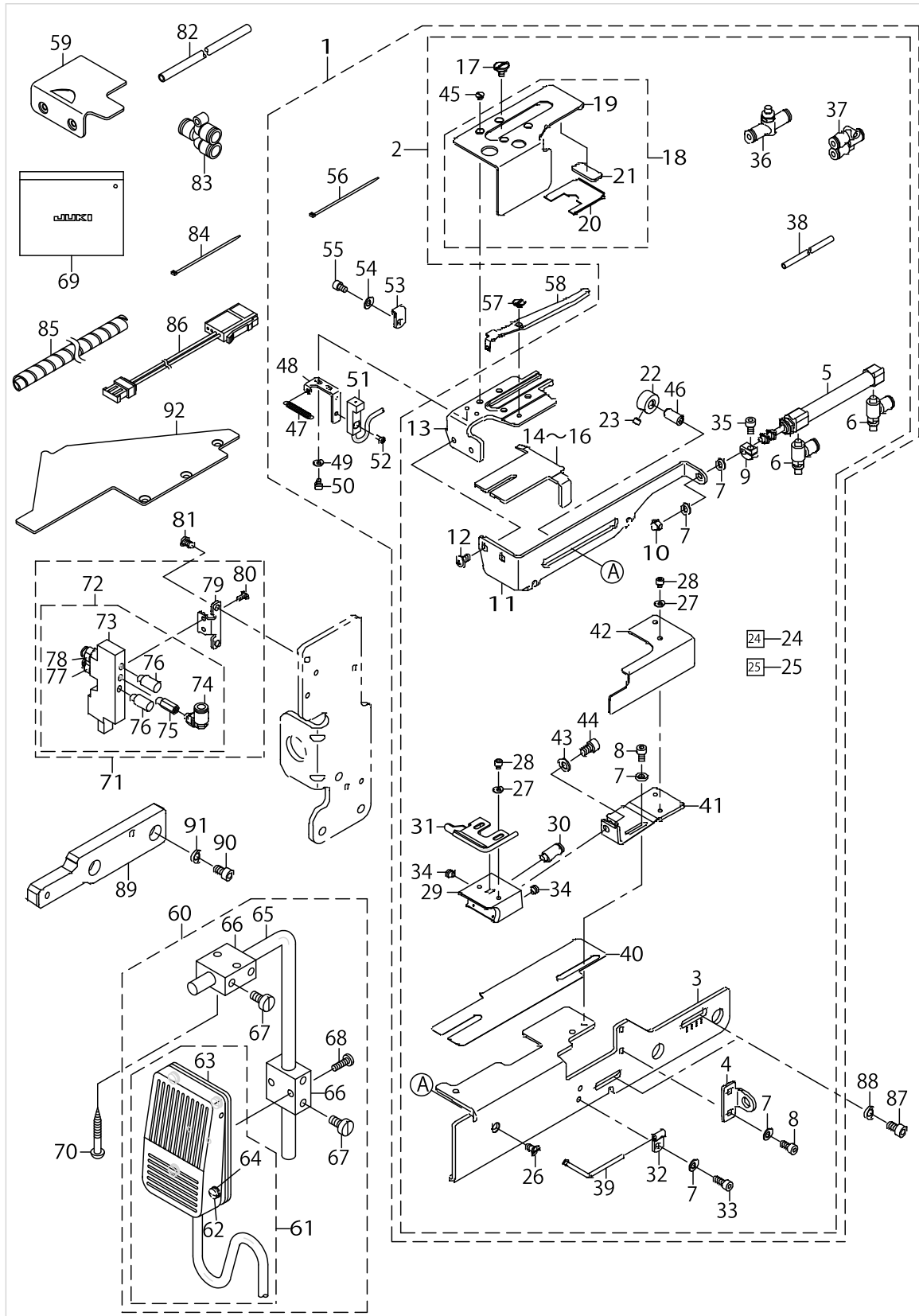
AH5/AH6

No.	Supply Code	Parts No.	Replacement	Parts name	Remarks	Choice	Step	Level	Cons	Qty	Rep. QTY
93		40052572		SOLENOID VALVE CABLE ASM.						1	
94		HX001500000		CLIP						1	
95		SM6051002TN		BOLT						2	
96		WP0531001SC		WASHER						2	



AH7/AH8

No.	Supply Code	Parts No.	Replacement	Parts name	Remarks	Choice	Step	Level	Cons	Qty	Rep. QTY
1		40052750		AH8_ASSY	FOR AH8					1	
2		40052749		AH7_ASSY				*		1	
3		40044926		ATTACHMENT_BRACKET				*		1	
4		40044945		CYLINDER_BRACKET				*		1	
5		PA1004510A0		AIR CYLINDER				*		1	
6		PC010508000		SPEED CONTROLLER				*		2	
7		WP0430801SC		WASHER 4.3X9X0.8				*		7	
8		SM6040802TN		SCREW				*		4	
9		G5415254000		CYLINDER ADJUSTING COLLAR				*		1	
10		NM7040032SC		HEXAGONAL CAP NUT, TYPE 3 M4				*		1	
11		40044928		CYLINDER_PLATE				*		1	
12		SM0040801SC		SCREW				*		2	
13		40044938		HOLDER_BRACKET				*		1	
14		40044942		EGRESS_PLATE_B (T=2.6)				*		1	
15		40044941		EGRESS_PLATE_A (T=1.6)	OPTIONAL PARTS			*		1	
16		40044943		EGRESS_PLATE_C (T=3.6)	OPTIONAL PARTS			*		1	
17		SD0700226TP		SHOULDER SCREW D=7 H=2.2				*		1	
18		40044958		HOLDER_UPPER_PLATE_ASSY				*		1	
19		40044934		HOLDER_UPPER_PLATE				*		1	
20		40044935		HOLDER_LOWER_PLATE				*		1	
21		40044955		LOWER_PLATE_SPACER				*		1	
22	R	CS0700881TP	40010434	THRUST COLLAR D=7 W=8				*		1	1.00
23		SM8050412TP		SCREW M5 L=4				*		2	
24		18037309		WIRE MARK (24)				*		1	
25		18037408		WIRE MARK (25)				*		1	
26		SM1040800SP		SCREW				*		1	
27		WP0320501SC		WASHER M3				*		4	
28		SM6030402TN		BOLT M3X4				*		4	
29		40044929		HEM_CAP				*		1	
30		PJ210004200		HALF UNION				*		1	
31		40044930		WORK_GUIDE_ASSY				*		1	
32		HX001500000		CLIP				*		1	
33		SM6040802TN		SCREW				*		1	
34		SM8050412TP		SCREW M5 L=4				*		2	
35		SM6040802TN		SCREW				*		1	
36		PC012406000		SPEED CONTROLLER				*		2	
37		PJ308040006		UNION				*		3	
38		BT0400251EB		URETHANE HOSE, BLACK				*		2.58	
39		40044940		AIR_NOZZLE				*		1	
40		40044927		CLOTH_PLATE				*		1	
41		40044939		HEM_CAP_BRACKET				*		1	
42		40044924		FRONT_COVER				*		1	
43		WP0531001SC		WASHER				*		1	
44		SM6050802TN		BOLT				*		1	
45		SM1030400SP		SCREW M3 L=4				*		4	
46		40044944		STUD				*		1	



AH7/AH8

No.	Supply Code	Parts No.	Replacement	Parts name	Remarks	Choice	Step	Level	Cons	Qty	Rep. QTY
47		40044949		SENSOR_SPRING	FOR AH8			*		1	
48		40044948		SENSOR_BRACKET	FOR AH8			*		1	
49		WP0320501SC		WASHER M3	FOR AH8			*		2	
50		SM6030402TN		BOLT M3X4	FOR AH8			*		2	
51		40052573		CLOTH SENSOR CORD ASM.	FOR AH8			*		1	
52		SM4860601SC		SCREW M2.6 L=6	FOR AH8			*		1	
53		HX001500000		CLIP	FOR AH8			*		1	
54		WP0430801SC		WASHER 4.3X9X0.8	FOR AH8			*		1	
55		SM6040602TN		BOLT	FOR AH8			*		1	
56		EA9500B0100		CABLE BAND	FOR AH8			*		2	
57		SD0500126TP		SHOULDER SCREW D=5 H=1.2	FOR AH8			*		1	
58		40044947		SENSOR_PLATE	FOR AH8			*		1	
59		40044933		SIDE_COVER						1	
60		40052656		SWITCH C ASSY						1	
61		40052655		SWITCH CABLE C ASSY				*		1	
62		SS7110710SL		SCREW 11/64-40 L=7.0				*		4	
63	D	MAT80232T00		KNEE SWITCH SUPPORT PLATE				*		1	
64		WP0480856SP		WASHER 4.8X8.4X0.8				*		4	
65		MAT80231T00		DRIVING BAR, T002				*		1	
66		MAT80230T00		KNEE SWITCH SUPPORT BASE				*		2	
67		SS6151220SP		SCREW 15/64-28 L=11.5				*		4	
68		SS7111410TP		SCREW11/64-40L=14				*		2	
69		22932800		ACCESSORIE BAG						1	
70	R	SK3514000SC	SK3514001SE	WOOD SCREW D=5.1 L=40						2	1.00
71		40044959		SOLENOID_VALVE_ASSY						1	
72	D	40044956		SOLENOID_VALVE_ASSY				*		1	
73		PV150204000		SOLENOID VALVE				*		1	
74		PJ304040505		ELBOW				*		1	
75		PJ010505001		JOINT				*		1	
76		PX050501000		SILENCER				*		2	
77		18037309		WIRE MARK (24)				*		1	
78		18037408		WIRE MARK (25)				*		1	
79		40044946		SOLENOID_VALVE_BKT				*		1	
80		SM6030600SP		SCREW M3X0.5 L=6				*		2	
81		SM4040655SP		SCREW M4 L=6						2	
82		BT0600401EB		TUBE						1	
83		PJ308060003		Y UNION						1	
84		EA9500B0100		CABLE BAND						3	
85		HX00314000A		SPIRAL TUBE						.5	
86		40052572		SOLENOID VALVE CABLE ASM.						1	
87		SM6051002TN		BOLT						2	
88		WP0531001SC		WASHER						2	
89		40044925		ATTACHMENT_BASE						1	
90		SM6051002TN		BOLT						2	
91		WP0531001SC		WASHER						2	
92		40044922		CLOTH_PLATE_FRONT						1	

HOW TO MAKE USE OF THIS PARTS LIST

- 1.As to "#01" and "#02" refer to the "Note" given at the bottom of the respective pages.
- 2.Codes on the "Qty" column
 - Each numeral indicates the number of parts required.
 - "0.1" and "2.5" indicate the length (in meters) of the respective parts.
- 3.Parentheses mean that the corresponding part is a subpart that constructs an assembly part.
- 4.Dotted lines on the Figures indicate assembly parts.

1. リストページの#01、#02の印は、ページ下の"注記"の説明を参照下さい。
2. 数量欄の数字は、個数を表し、0.1、2.5等の数値は、長さ（単位メートル）を表します。
3. 数量欄の（ ）は、組部品を構成している子部品であることを意味します。
4. イラストページの-----枠は、組構成であることを意味します。

ALL PARTS NOT MENTIONED IN THIS PARTS LIST ARE SAME AS THOSE OF
MODEL MF-7800. OTHER PARTS LIST RELATED TO THIS MODEL.
*MF-7800. (NO.1407 PART NO.40022746)

このパーツリスト記載以外の部品はMF-7800.と共通です。
この機種に関連するパーツリストとして下記のパーツリストがあります。
*MF-7800 (NO.1407 品番40022746)

NUMERICAL INDEX OF PARTS

PART NO	PAGE	REF NO.	PART NO	PAGE	REF NO.	PART NO	PAGE	REF NO.
18037309	2	84	40044947	10	58	HX00314000A	4	92
18037309	4	84	40044948	2	43	HX00314000A	10	85
18037309	8	77	40044948	10	48	MAT80230T00	4	73
18037309	10	77	40044949	2	42	MAT80230T00	10	66
18037408	2	85	40044949	10	47	MAT80231T00	4	72
18037408	4	85	40044951	2	3	MAT80231T00	10	65
18037408	8	78	40044952	4	55	MAT80232T00	4	70
18037408	10	78	40044953	4	56	MAT80232T00	10	63
22932800	4	76	40044954	4	64	NM7040032SC	2	10
22932800	10	69	40044955	2	21	NM7040032SC	8	10
40040255	4	61	40044955	8	21	PA1004510A0	2	5
40044922	10	92	40044956	4	79	PA1004510A0	8	5
40044924	8	42	40044956	10	72	PC010508000	2	6
40044925	10	89	40044957	4	54	PC010508000	8	6
40044926	8	3	40044958	2	18	PC012406000	2	36
40044927	8	40	40044958	8	18	PC012406000	8	36
40044928	2	11	40044959	4	78	PJ010505001	4	82
40044928	8	11	40044959	10	71	PJ010505001	10	75
40044929	2	29	40052572	6	93	PJ210004200	2	32
40044929	8	29	40052572	10	86	PJ210004200	8	30
40044930	2	33	40052573	2	46	PJ304040505	4	81
40044930	8	31	40052573	10	51	PJ304040505	10	74
40044933	10	59	40052655	4	68	PJ308040006	2	37
40044934	2	19	40052655	10	61	PJ308040006	8	37
40044934	8	19	40052656	4	67	PJ308060003	4	90
40044935	2	20	40052656	10	60	PJ308060003	10	83
40044935	8	20	40052747	2	2	PS0300062KH	2	30
40044938	2	13	40052748	2	1	PV150204000	4	80
40044938	8	13	40052749	8	2	PV150204000	10	73
40044939	8	41	40052750	8	1	PX050501000	4	83
40044940	2	39	40053156	4	60	PX050501000	10	76
40044940	8	39	BT0400251EB	2	38	SD0500126TP	4	52
40044941	2	15	BT0400251EB	8	38	SD0500126TP	10	57
40044941	8	14~16	BT0600401EB	4	89	SD0700226TP	2	17
40044942	2	14	BT0600401EB	10	82	SD0700226TP	8	17
40044942	8	14~16	CS0700881TP	2	22	SK3514000SC	4	77
40044943	2	16	CS0700881TP	8	22	SK3514000SC	10	70
40044943	8	14~16	EA9500B0100	4	91	SM0040801SC	2	12
40044944	2	41	EA9500B0100	10	84	SM0040801SC	8	12
40044944	8	46	G5415254000	2	9	SM1030400SP	2	40
40044945	2	4	G5415254000	8	9	SM1030400SP	8	45
40044945	8	4	HX001500000	4	94	SM1040800SP	2	57
40044946	4	86	HX001500000	6	94	SM1040800SP	4	57
40044946	10	79	HX001500000	8	53	SM1040800SP	8	26
40044947	4	53	HX001500000	10	53	SM4040655SP	4	88

NUMERICAL INDEX OF PARTS

PART NO	PAGE	REF NO.
SM4040655SP	10	81
SM4040855SP	4	63
SM4860601SC	4	47
SM4860601SC	10	52
SM6020350SP	4	66
SM6030402TN	2	45
SM6030402TN	8	50
SM6030402TN	10	50
SM6030600SP	4	87
SM6030600SP	10	80
SM6032002TN	2	31
SM6040602TN	4	50
SM6040602TN	10	55
SM6040802TN	2	35
SM6040802TN	8	35
SM6041002TN	4	58
SM6050802TN	8	44
SM6051002TN	6	95
SM6051002TN	10	90
SM6850600SP	4	65
SM8050412TP	2	34
SM8050412TP	8	34
SS6151220SP	4	74
SS6151220SP	10	67
SS7110710SL	4	69
SS7110710SL	10	62
SS7111410TP	4	75
SS7111410TP	10	68
WP0320501SC	2	44
WP0320501SC	8	49
WP0320501SC	10	49
WP0430801SC	2	62
WP0430801SC	4	62
WP0430801SC	8	54
WP0430801SC	10	54
WP0480856SP	4	71
WP0480856SP	10	64
WP0531001SC	6	96
WP0531001SC	8	91
WP0531001SC	10	91