

MODEL : ASN-690

List No : 1516-02

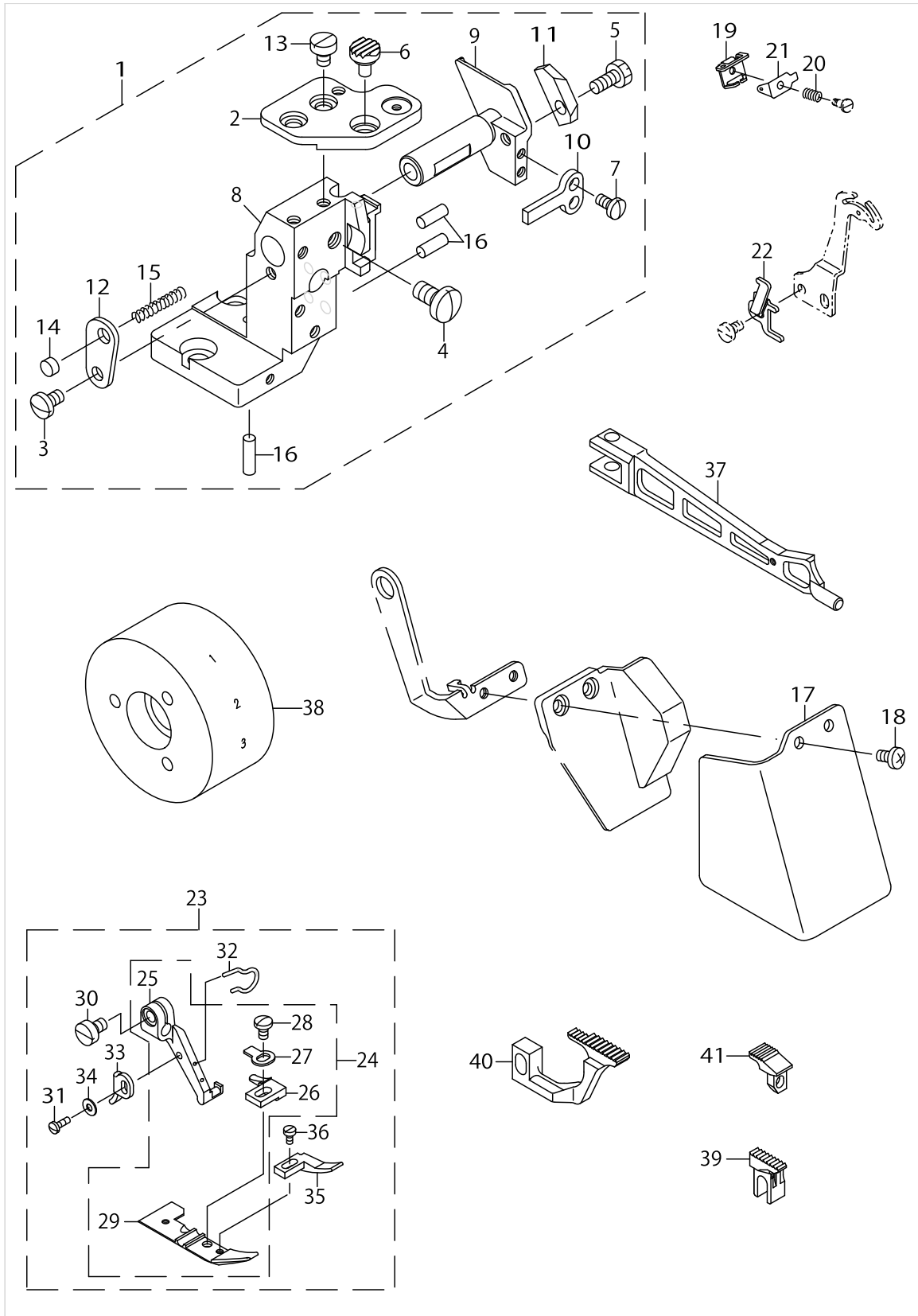
PARTS LIST

Published:05/12/2017

CONTENTS

FRAME EXCLUSIVE COMPONENTS.....	1
SIDE CUTTER COMPONENTS.....	3
CLOTH GUIDE & CLOTH BASE COMPONENTS.....	5
SS-51:STACKER MECHANISM COMPONENTS.....	7
VACUUMING COMPONENTS	11
FRAME COMPONENTS	13
FRAME MISCELLANEOUS COMPONENTS.....	17
CLOTH FEED BLOW COMPONENTS.....	21
SWITCH COMPONENTS	23
MOTOR ELECTRIC APPARATUS COMPONENTS	25
UPPER LOOPER ARM DUST COLLECTOR COMPONENTS	27
POWER SWITCH COMPONENTS.....	29
PNEUMATIC CIRCUIT DIAGRAM.....	31
TABLE COMPONENTS (ASN-690S)	35
TABLE COMPONENTS (ASN-690L).....	37
ACCESSORIE PARTS COMPONENTS	39
THREAD STAND COMPONENTS.....	41
WIRING DIAGRAM.....	43
PF-10:DIFFERENTIAL MECHANISM COMPONENTS (OPTIONAL PARTS)	45
AK-139:PRESSER FOOT LIFTER COMPONENTS (OPTIONAL PARTS).....	47
PK-79:PEDAL COMPONENTS (OPTIONAL PARTS).....	49
KM-5:CLOTH TABLE COMPONENTS (OPTIONAL PARTS)	51
CL-5:CURVE SENSOR COMPONENTS (OPTIONAL PARTS)	53
GAUGE COMPONENTS.....	55
LIST FOR INFORMATION OF CHANGE (1).....	57
LIST FOR INFORMATION OF CHANGE (2).....	58
HOW TO MAKE USE OF THIS PARTS LIST	59

FRAME EXCLUSIVE COMPONENTS

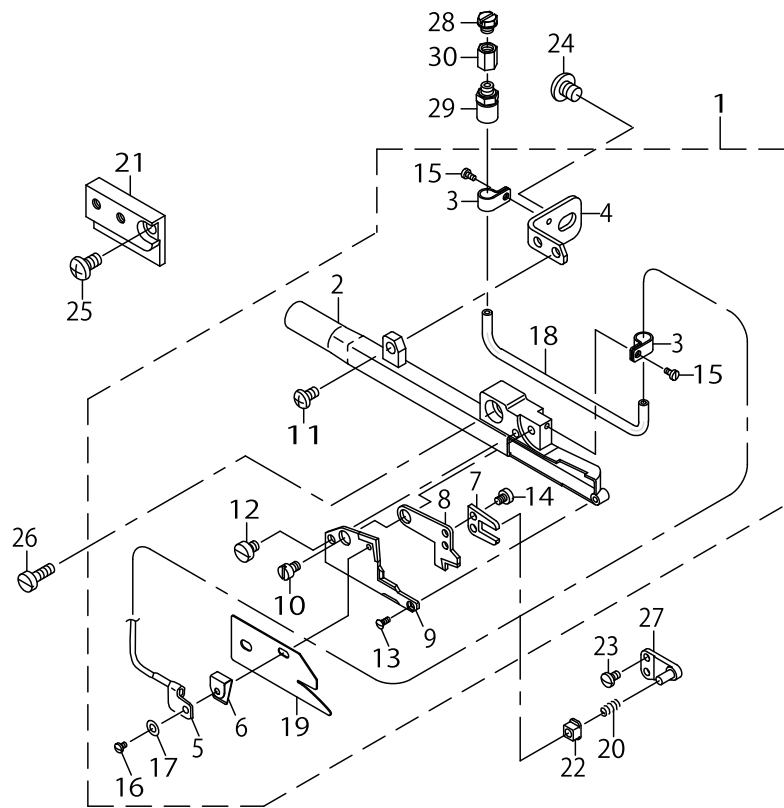


FRAME EXCLUSIVE COMPONENTS

No.	Supply Code	Parts No.	Replacement	Parts name	Remarks	Choice	Step	Level	Cons	Qty	Rep. QTY
1		40082220		LOWER KNIFE BRACKET ASSY						1	
2		40082221		NEEDLE_PLATE_BASE_A				*		1	
3		SS7110720SP		SCREW 11/64-40 L=7				*		1	
4		SS7151120SP		SCREW 15/64-28 L=11				*		1	
5		SS9111010SP		SCREW 11/64-40 L=9.5				*		1	
6		13235304		RUBBER PLUG A				*		1	
7		SS7090710SP		SCREW 9/64-40 L=6.8				*		2	
8	R	13149406	13232657	LOWER KNIFE BRACKET		A		*		1	1.00
8	R	13149406	13232756	LOWER KNIFE BRACKET		B		*		1	1.00
9		13149505		LOWER KNIFE SLIDE STUD				*		1	
10		13149703		ROTATING STOPPER				*		1	
11		13149208		LEVER SHAFT				*		1	
12		13149307		SPRING STOPPER				*		1	
13		SS6110610TP		SCREW 11/64-40 L=6				*		3	
14		13102702		THROAT PLATE COVER				*		1	
15		13148101		SPRING				*		1	
16		13149901		NEEDLE HOLDER SUPPORT PIN				*		3	
17		40082229		SAFETY_PLATE						1	
18		SS7090850SP		SCREW 9/64-40 L=8						2	
19		13110804		NEEDLE THREAD P-RESSER GUIDE B						1	
20		12112702		NEEDLE THREAD P-RESSER SPRING B						1	
21		12112504		NEEDLE THREAD P-RESSER PLATE C						1	
22		12112603		DIFFERENTIAL FEED CAM						1	
23		40082217		PRESSER_FOOT_ASSY						1	
24		40082517		PRESSER_FOOT_ASM.				*		1	
25		G5910397000		PRESSER FOOT HINGE				*		1	
26	R	G5913397000	G59123970B0	STITCH TONGUE				*	☆	1	1.00
27		B150880400B		SPRING				*		1	
28		SS7080520SP		SCREW 1/8-44 L=4.9				*		1	
29		40082215		PRESSER_FOOT				*		1	
30		SS6090670TP		SCREW 9/64-40 L=6				*		1	
31		SS7060610SP		SCREW 3/32-56 L=5.5				*		1	
32		11820701		FINGER GUARD				*		1	
33		B1530804000		STOPPER				*		1	
34		WP0250516SD		WASHER 2.5X6X0.5				*		1	
35		40082216		CURL_GUARD				*		1	
36		SS6060440TP		SCREW 3/32-56 L=3.5				*		1	
37		G5909397000A		PRESSER FOOT ARM						1	
38		40082516		HAND WHEEL						1	
39		G5811370000		MAIN FEED DOG					☆	1	
40		40082207		DIFFERENTIAL_FEED_DOG					☆	1	
41		G5813370000		AUXILIARY FEED DOG					☆	1	

オーハ-ロッケー用(04、14-)/For Over-lock (04/14) インターロッケー用(16)/For Safety stitch (16)

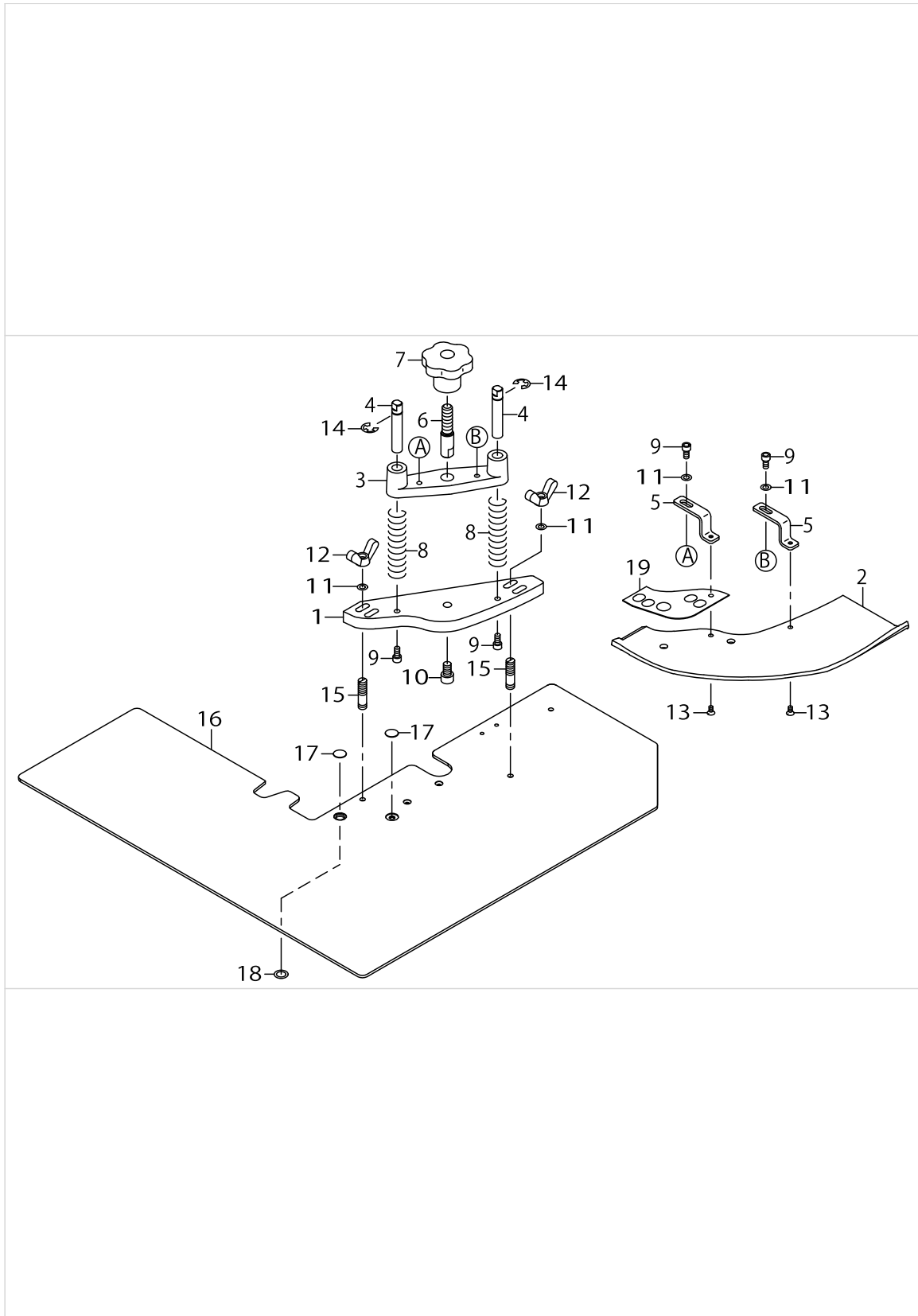
SIDE CUTTER COMPONENTS



SIDE CUTTER COMPONENTS

No.	Supply Code	Parts No.	Replacement	Parts name	Remarks	Choice	Step	Level	Cons	Qty	Rep. QTY
1		40085135		KNIFE REST ASSY						1	
2	R	40045966	40045967	KNIFE REST COMPL.				*		1	1.00
3		MAT03610000		OIL SUPPLY PIPE BRACKET				*		2	
4		MAT03604000		KNIFE REST PLATE				*		1	
5		MAT036090A0		OIL SUPPLY HOLDER ASM.				*		1	
6		MAT02111000		SPRING				*		1	
7		MAT02502000		DRIVING LEVER				*		1	
8		MAT03606000		WORK KNIFE				*	☆	1	
9		MAT0360500A		FIXING KNIFE				*	☆	1	
10		MAT03607000		KNIFE SHAFT				*		1	
11		SS4110715SP		SCREW 11/64-40 L=7				*		1	
12		SS6090520SP		SCREW 9/64-40 L=5.0				*		1	
13		SS2060510SP		SCREW 3/32-56 L=4.5				*		1	
14		SS6080410SP		SCREW 1/8-44 L=4				*		2	
15		SS6060410TP		SCREW 3/32-56 L=3.5				*		2	
16		SS7060310SP		SCREW 3/32-56 L=3				*		1	
17		WP0250516SD		WASHER 2.5X6X0.5				*		1	
18		BP400000000		VINYL TUBE, WHITE D=4				*		0.14	
19		MAT04400000		ADJUSTING PLATE				*		1	
20		MAT02106000		SPRING					☆	1	
21		MAT03603000A		KNIFE REST BRACKET						1	
22		40045962		SLIDE BLOCK					☆	1	
23		SS7080520SP		SCREW 1/8-44 L=4.9						2	
24		SS4150715SP		SCREW 15/64-28 L=7						1	
25		SS4120915SP		SCREW 3/16-28 L=9						1	
26		SS6111210SP		SCREW 11/64-40 L=12						1	
27		MAT03608000		DRIVE PIN						1	
28		PJ020500001		PLUG						1	
29		PJ032054001		HOSE NIPPLE						1	
30		PX950005000		CUPLING						1	

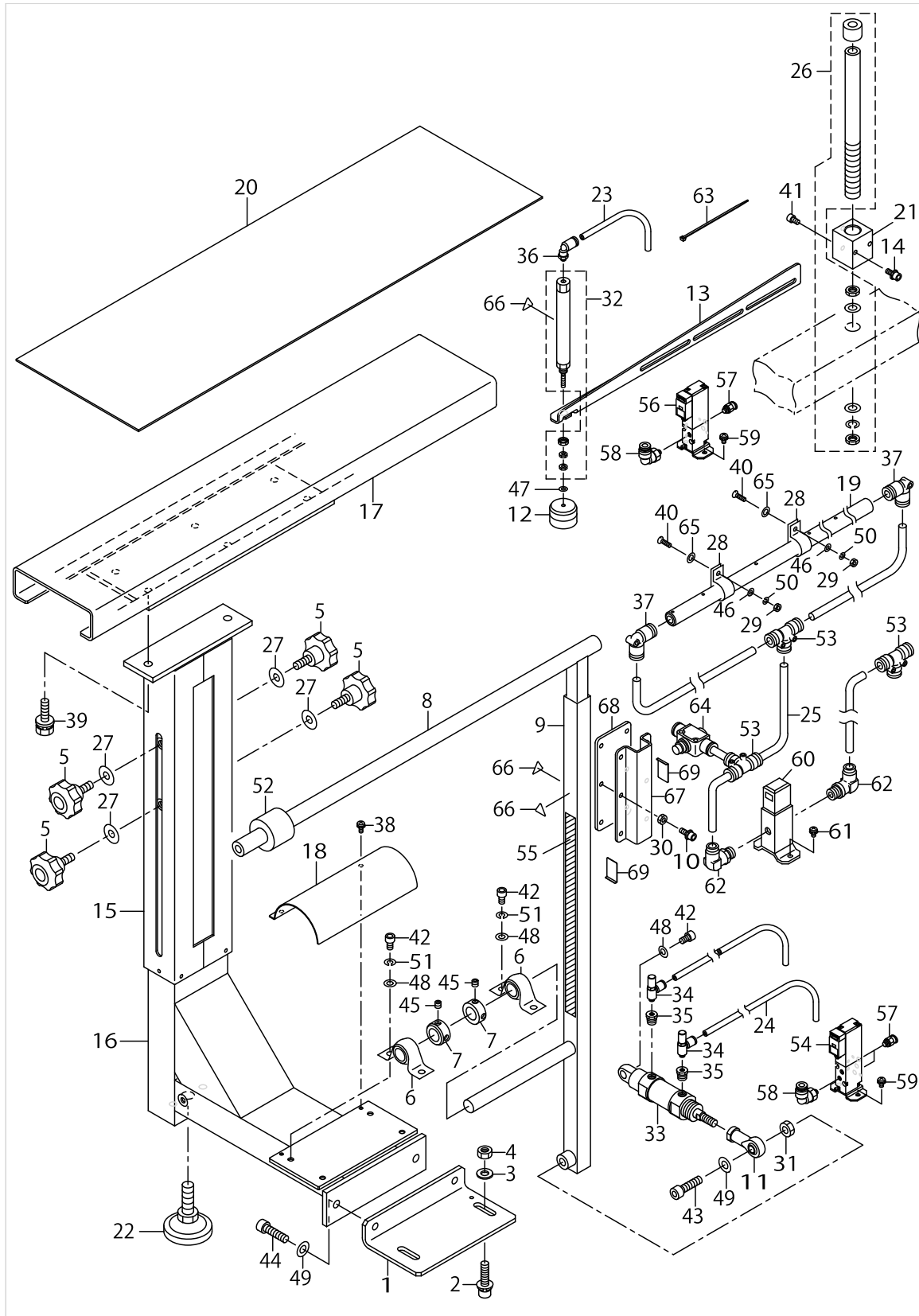
CLOTH GUIDE & CLOTH BASE COMPONENTS



CLOTH GUIDE & CLOTH BASE COMPONENTS

No.	Supply Code	Parts No.	Replacement	Parts name	Remarks	Choice	Step	Level	Cons	Qty	Rep. QTY
1		40082250		CLOTH_GUIDE_BASE						1	
2		40082251		CLOTH_GUIDE						1	
3		25020207		SLIDE BASE						1	
4		25020009		SLIDE SHAFT						2	
5		G5014397000		GUIDE CONNECTING PLATE						2	
6		25020306		ADJUSTING SHAFT						1	
7		25020405		KNOB						1	
8		10901106		SPRING						2	
9		SM6040802TP		SCREW M4X0.7 L=8						4	
10		SM6061002TP		SCREW M6 L=10						1	
11		WP0430800SD		WASHER M4						4	
12		D2301M1YC0W		WING NUT						2	
13		SM1030601SC		SCREW M3 L=6						2	
14		RE0600000K0		E-RING 6						2	
15		16187908		SCREW						2	
16		40082252		CLOTH_PLATE						1	
17		40082253		DUST_COVER						2	
18		WP0720316RZ		WASHER 7.2X11X0.25						1	
19		40082247		REFLECTION_SHEET_ASSY					☆	1	

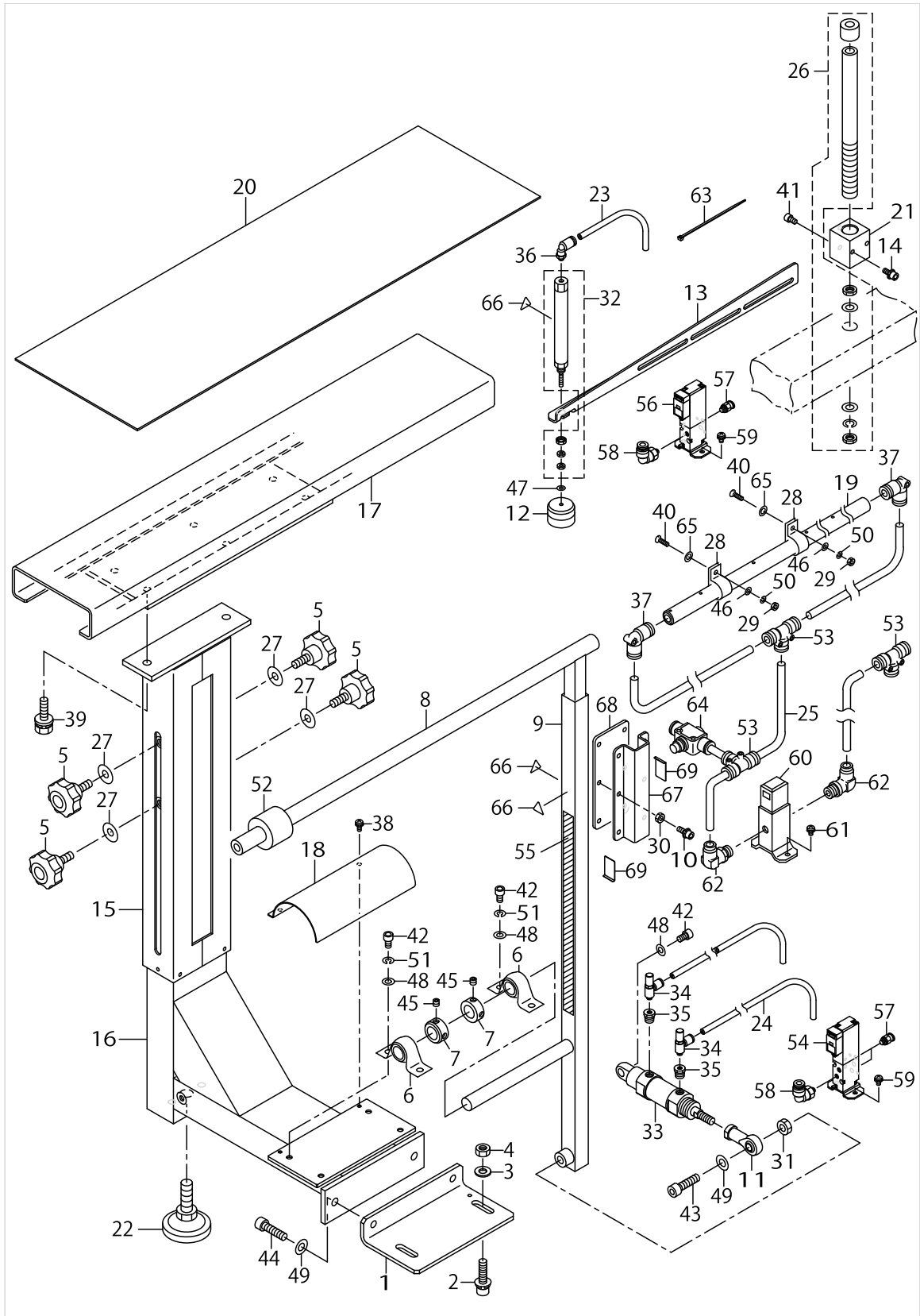
SS-51:STACKER MECHANISM COMPONENTS



SS-51:STACKER MECHANISM COMPONENTS

No.	Supply Code	Parts No.	Replacement	Parts name	Remarks	Choice	Step	Level	Cons	Qty	Rep. QTY
1		40075275		STACKER_BASE_PLATE						1	
2		SL6082092TN		BOLT						2	
3		WP0841601SC		WASHER 8.4X17.4X1.6						2	
4		NM6080001SC		NUT M8X1.25						2	
5		40084436		HANDLE						4	
6		16136806		MINI PILLOW UNIT						2	
7		CS1501011TH		THRUST COLLAR						2	
8		40082275		CLAMP_BAR						1	
9		40083302		STACKER STAND ASM.						1	
10		SL6051492TN		BOLT						6	
11		16138109		ROD						1	
12		18072553		THREAD CUTTER SUPPORT ASM.					☆	1	
13		40082514		CYLINDER_INSTALLING_ARM						1	
14		SL6051292TN		BOLT						2	
15		25031907		SLID PIPE						1	
16		40082279		STACKER_POLE						1	
17		25032103		STACKER SUPPORT						1	
18		25032202		PILLOW COVER						1	
19		40082276		STACKER_BLOW_PIPE						1	
20		40083978		STACKER_CUSHION						1	
21		40082515		PRESSER_ARM HOLDER						1	
22		17833658		ADJUSTING BOLT ASM.						1	
23		BT0400251EB		URETHANE HOSE BLACK						1.2	
24		BT0600401EB		TUBE						2.5	
25		BT0800501EB		VINYL TUBE						1	
26		G54041720A0		FRAME SHAFT ASM.						1	
27		WP0851846SC		WASHER 8.5X22.0X1.8						4	
28		HX00150000C		CABLE CLIP						2	
29		NM6040001SC		NUT M4						2	
30		NM6050001SC		NUT M5						6	
31		NM6080001SC		NUT M8X1.25						1	
32		PA1004505A0		CYLINDER						1	
33		PA200500100		AIR CYLINDER						1	
34		PC010523000		SPEED CONTROLLER						2	
35		PJ015105001		BUSHING						2	
36		PJ304040504		ELBOW UNION						1	
37		PJ304080001		UNION ELBOW						2	
38		SL4041081SF		SCREW M4 L=10						2	
39		SL9082093SE		SCREW						2	
40		SM1041201SC		SCREW M4 L=12						2	
41		SM6050802TR		SCREW M5X0.8 L=8						2	
42		SM6061002TP		SCREW M6 L=10						5	
43		SM6083002TN		SCREW M8 L=30						1	
44		SM6081202TP		SCREW M8 L=12						2	
45		SS8660530TP		SCREW 1/4-40 L= 4.5						4	
46		WP0410846SC		WASHER						2	

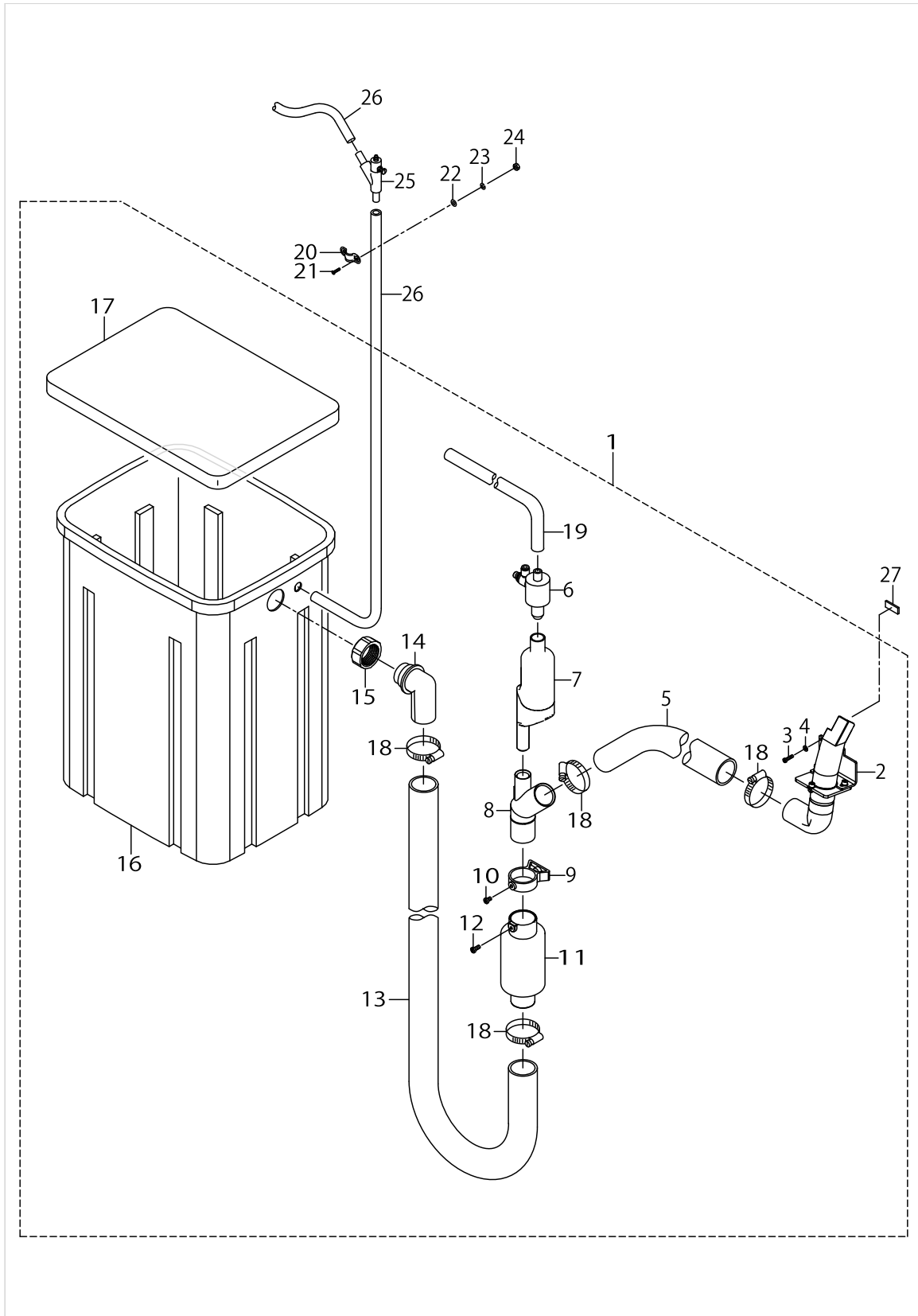
SS-51:STACKER MECHANISM COMPONENTS



SS-51:STACKER MECHANISM COMPONENTS

No.	Supply Code	Parts No.	Replacement	Parts name	Remarks	Choice	Step	Level	Cons	Qty	Rep. QTY
47		WP0430800SC		WASHER M4						1	
48		WP0641601SC		WASHER						5	
49		WP0841601SC		WASHER 8.4X17.4X1.6						3	
50		WS0410002KN		SPRING WASHER						2	
51		WS0610002KN		SPRING WASHER 6.1X12.2X1.5						4	
52		GAS11154000		STACKER RING						5	
53		PJ305080002		UNION TEE						3	
54		PV150536000		5-PORT SOLENOID VALVE						1	
55		40058951		AREA_CAUTION_LABEL						1	
56		PV130540000		3-PORT SOLENOID VALVE						1	
57		PJ301040506		STRAIGHT						3	
58		PJ304060501		ELBOW						2	
59		SL4040891SC		SCREW M4 L=8						4	
60		PV125109000		2-PORT SOLENOID VALVE						1	
61		SL4040891SC		SCREW M4 L=8						2	
62		PJ304085102		ELBOW						2	
63		EA9500B0100		CABLE BAND						5	
64		PC022801000		THROTTLE VALVE						1	
65		WP0641600SC		WASHEW6.4X12.5X1.6	FOR SHORT TABLE					2	
66		CM300200001		ATTENTION SEAL						3	
67		40091283		STACKER_BAR_HOLDER_A						1	
68		40091284		STACKER_BAR_HOLDER_B						1	
69		40091285		STACKER_BAR_SPACER						2	

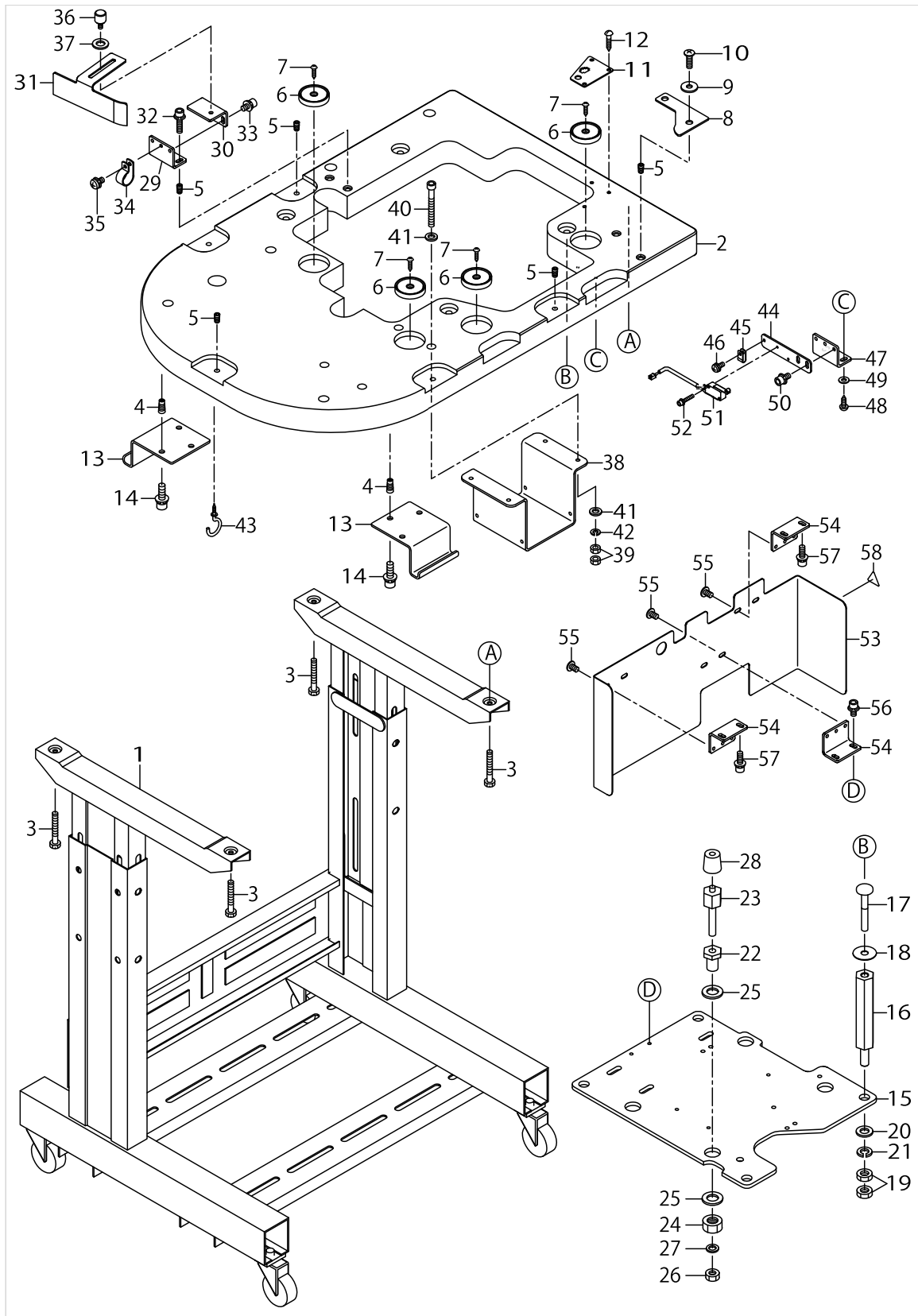
VACUUMING COMPONENTS



VACUUMING COMPONENTS

No.	Supply Code	Parts No.	Replacement	Parts name	Remarks	Choice	Step	Level	Cons	Qty	Rep. QTY
1		40099620		WASTE_REMOVAL_UNIT						1	
2		40099635		WASTE_FUNNEL_ASSY				*		1	
3		SM4041655SP		SCREW M4 L=16				*		2	
4		WP0430801SC		WASHER M4				*		2	
5		40083307		HOSE_A				*		1	
6		40099627		WASTE_REMOVER				*		1	
7		40099628		SILENCER_B				*		1	
8		40099629		Y_TUBE				*		1	
9		40099630		Y_TUBE_BASE				*		1	
10		SM4050855SP		SCREW				*		1	
11		40099631		SILENCER_A				*		1	
12		SM4051255SP		SCREW M5 L=12				*		1	
13		40083308		HOSE_B				*		1	
14		40099632		WASTE_CANISTER_ELBOW				*		1	
15		40099633		WASTE_CANISTER_NUT				*		1	
16		40099634		WASTE_CANISTER				*		1	
17		GMC08039000		CANISTER COVER				*		1	
18		G5176136000		HOSE BAND				*		4	
19		40123132		NYLON_TUBE_19X13				*		0.16	
20		F1017003000		VINYL HOSE SADDLE						1	
21	R	SM1031401SC	SM1031401SN	SCREW M3X0.5 L=14						2	1.00
22		WP0320500SC		WASHER M3						2	
23		WS0310002KN		SPRING WASHER M3						2	
24		NM6030001SC		NUT M3X0.5 TYPE1						2	
25		F10120030A0		NOZZLE ASM.						1	
26		BT1601001Z0		TUBE						1.8	
27		16108508		CLOTH BASE HOLDER RUBBER						1	

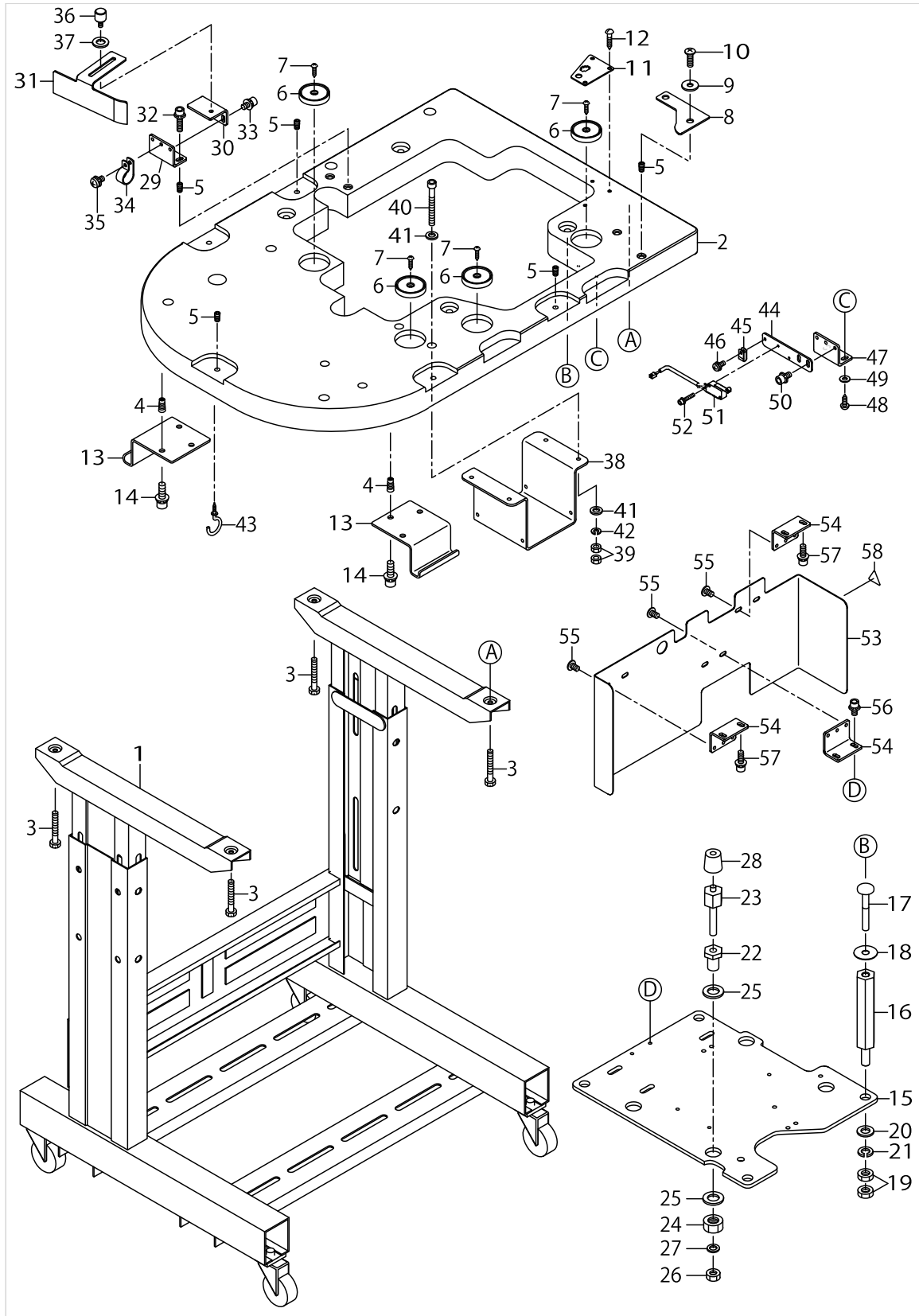
FRAME COMPONENTS



FRAME COMPONENTS

No.	Supply Code	Parts No.	Replacement	Parts name	Remarks	Choice	Step	Level	Cons	Qty	Rep. QTY
1		40082280		T_STAND_ASSY						1	
2		40082231		MAIN_TABLE						1	
3		ST9053511SR		TAPPING SCREW M5X35						4	
4		40075287		INSERT_NUT M6X20						9	
5		40082232		INSERT_NUT M5X13						13	
6		40035100		MAGNET						4	
7		SK3271301SE		WOOD SCREW D=2.7 L=13						4	
8		40082233		GUIDE_PLATE						1	
9		WP0561616SC		WASHER 5.6X16X1.6						2	
10	D	SM0051601SC		SCREW M5 L=16						2	
11		40082234		PLUG_BRACKET						1	
12		SK3412000SE		WOOD SCREW D=4.1 L=20						3	
13		40082237		SUPPORT_PLATE						2	
14		SL6062092TN		SCREW M6 L=20						6	
15		40082235		MACHINE_BASE						1	
16		40082236		BASE_SHAFT						4	
17		13155064		HOLDING PLATE BOLT ASM.						1	
18		B1628191B00		BODY CAP B						4	
19		NM6120003SC		NUT M12						8	
20		WP1302501SC		WASHER 13X24X2.5						4	
21		WS1253010KN		SPRING WASHER 12.5X21.5X3						4	
22		40082277		ADJUSTING_SCREW_A						4	
23		40082278		ADJUSTING_SCREW_B						4	
24		NM6160001SB		NUT M16						4	
25		WP1703001SC		WASHER 17X30X3						8	
26		NM6100001SC		NUT M10X1.5						4	
27		WP1052000SC		WASHER 10.5X18X2						4	
28		13155403		DUST-PROOF RUBBER						4	
29		40082208		ST_CLOTH_GUIDE_BRACKET_A						1	
30		40082209		ST_CLOTH_GUIDE_BRACKET_B						1	
31		40082239		ST_CLOTH_GUIDE						1	
32		SL6052092TN		SCREW						2	
33		SL6051092TN		BOLT						2	
34		HX00150000K		CABLE CLIP						1	
35		SL4051091SC		SCREW M5X0.8 L=10						1	
36	D	16110405		SCREW						1	
37		WP0841600SE		WASHER 8,4X15,5X1,6						1	
38		40082238		BOX_HUNGER_B						1	
39		NM6050002SE		NUT M5						8	
40		SM6054502TN		SCREW						4	
41		WP0641600SC		WASHEW6.4X12.5X1.6						8	
42		WS0510002KN		SPRING WASHER						4	
43		MAT81163T00		CORD HOLDER						1	
44		40082212		SWITCH_BRACKET						1	
45		HX00150000A		CABLE CLAMP						1	
46		SL4041091SC		SCREW M4 L=10						1	

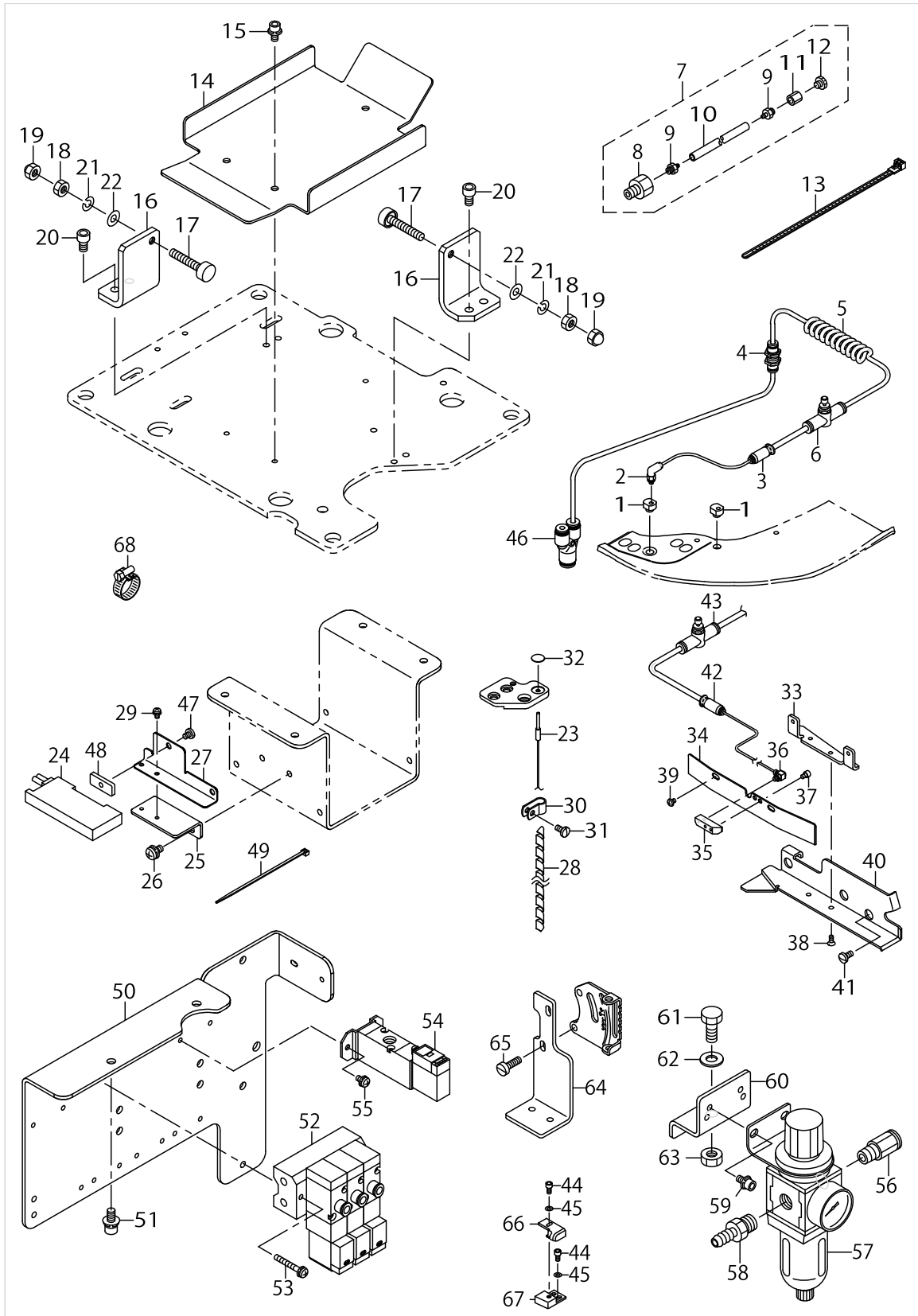
FRAME COMPONENTS



FRAME COMPONENTS

No.	Supply Code	Parts No.	Replacement	Parts name	Remarks	Choice	Step	Level	Cons	Qty	Rep. QTY
47		40082208		ST_CLOTH_GUIDE_BRACKET_A						1	
48		SK3412000SE		WOOD SCREW D=4.1 L=20						2	
49		WP0450826SC		WASHER 4.5X10X0.8						2	
50		SL6051092TN		BOLT						2	
51		32002255		SWITCH ASM.						1	
52		SL6031692TN		SCREW						2	
53		40082240		MOTOR_COVER						1	
54		40082208		ST_CLOTH_GUIDE_BRACKET_A						3	
55		SM0050801SC		SCREW						6	
56		SL6051092TN		BOLT						2	
57		SL6051692TN		BOLT						4	
58		CM300200002		CAUTION LABEL(25)						1	

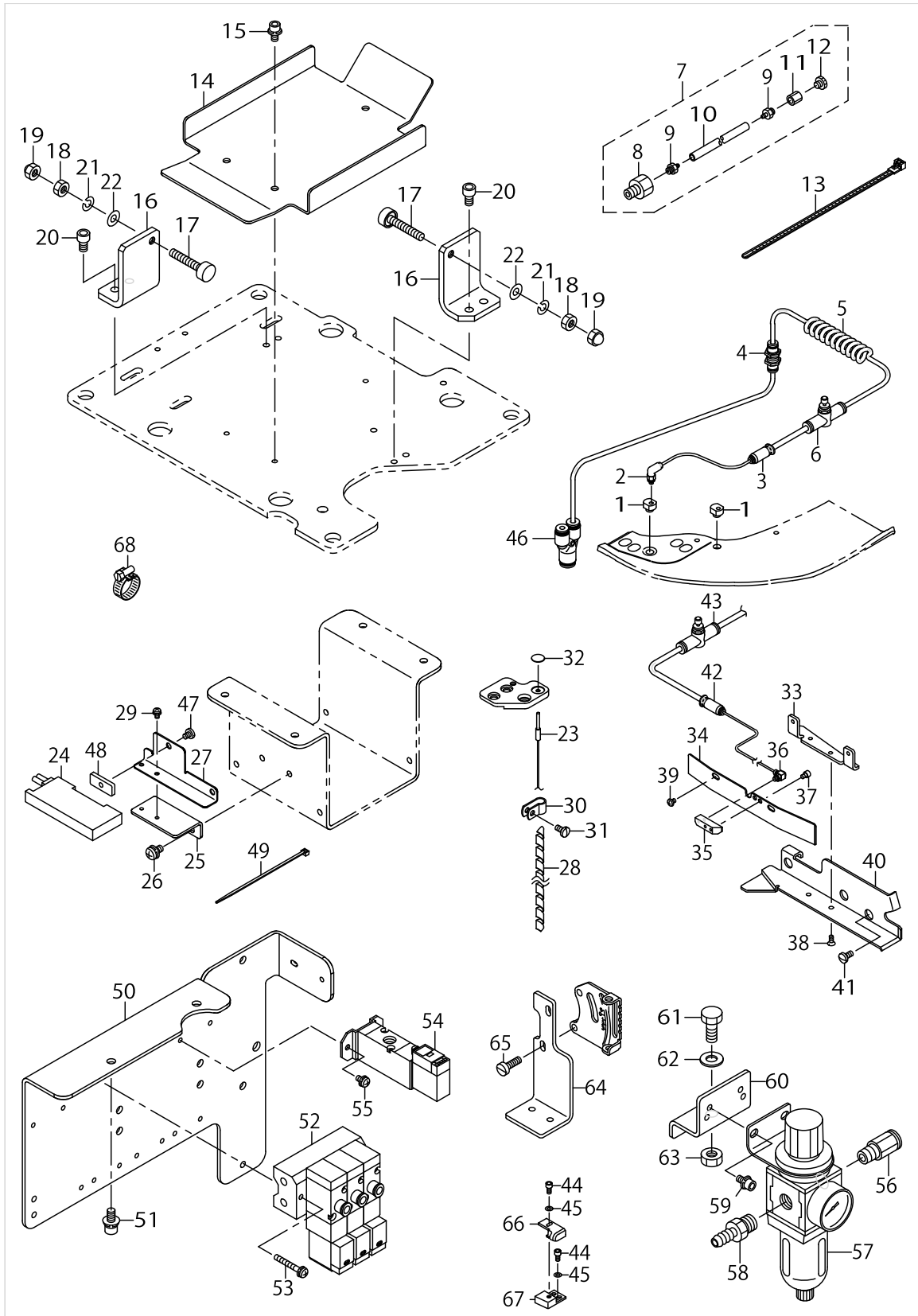
FRAME MISCELLANEOUS COMPONENTS



FRAME MISCELLANEOUS COMPONENTS

No.	Supply Code	Parts No.	Replacement	Parts name	Remarks	Choice	Step	Level	Cons	Qty	Rep. QTY
1		40082241		SENSOR_BLOW							2
2		PJ304020301		ELBOW							1
3		PJ303040005		UNION							1
4		PJ230004200		UNION							1
5		16232209		TUBE							1
6		PC012406000		SPEED CONTROLLER							1
7		G59273970A0		OIL PLUG ASM.							1
8		G5927397000		OIL PLUG				*			1
9		PJ032054001		HOSE NIPPLE				*			2
10		BT0600402EA		OIL TUBE				*		0.8	
11		PX950005000		CUPLING				*			1
12		PJ020500001		PLUG				*			1
13		HX00292000A		CONNECTING PART							1
14		40082211		COOLING_FAN_CASE							1
15		SL6051092TN		BOLT							3
16		40082273		SEWING MACHINE SUPPORT PLATE							2
17		GAK01003B00		PRESSER LIFTER STOPPER B							2
18		NM6060003SC		NUT M6							2
19		NM7060032SC		HEXAGONAL CAP NUT TYPE 3 M6							2
20		SM6061002TP		SCREW M6 L=10							4
21		WS0610002KN		SPRING WASHER 6.1X12.2X1.5							2
22		WP0641600SC		WASHEW6.4X12.5X1.6							2
23		HD002820010		SENSOR					☆		1
24		40082338		START_SENSOR_ASSY					☆		1
25		40083835		START SENSOR BRACKET							1
26		SL4051091SC		SCREW M5X0.8 L=10							2
27		40083834		SENSOR BASE							1
28		HX003140000		SPIRAL TABE							.5
29		SL4030591SC		SCREW M3X5							2
30		HX00150000B		CABLE CLIP							1
31		SS7110840SP		SCREW 11/64-40 L=7.8							1
32		40082253		DUST_COVER							1
33		40099986		CLOTH_COVER_BKT							1
34		40099987		CLOTH_COVER							1
35		40099988		SIDE_COVER_AIR_BLOW							1
36		PJ046039003		ELBOW							1
37		SM6030402TP		SCREW M3X0.5 L=4							2
38		SM1030501SC		SCREW M3 L=5							2
39		SM5030455SN		SCREW							2
40		40082230		SIDE_COVER							1
41		SS7110840SP		SCREW 11/64-40 L=7.8							2
42		PJ303040005		UNION							1
43		PC012406000		SPEED CONTROLLER							1
44		SM8030402TP		SCREW M3X0.5 L=4							1
45		SM6030602TN		SCREW M3X6							3
46		WP0320500SC		WASHER M3							3

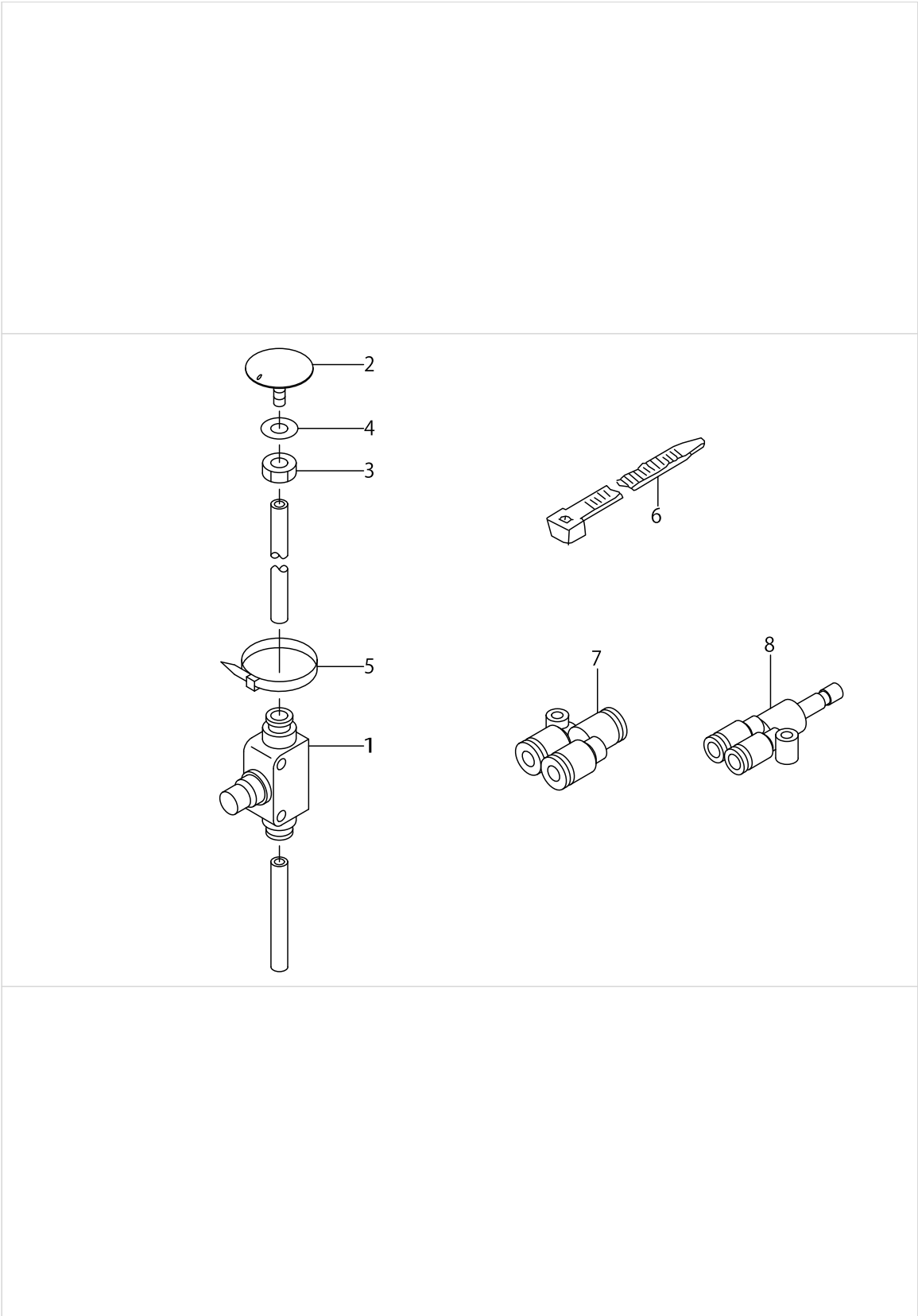
FRAME MISCELLANEOUS COMPONENTS



FRAME MISCELLANEOUS COMPONENTS

No.	Supply Code	Parts No.	Replacement	Parts name	Remarks	Choice	Step	Level	Cons	Qty	Rep. QTY
47		SS7110570SP		SCREW 11/64-40 L= 4.8						1	
48		22556906		FIXED PLATE						1	
49		EA9500B0100		CABLE BAND						1	
50		40082254		SOLENOID_VALVE_BASE						1	
51		SL6061492TN		BOLT						2	
52		G51003970A0		MANIHOLD ASM.						1	
53		SL4043091SC		SCREW M4 L=30						2	
54		PV125109000		2-PORT SOLENOID VALVE						1	
55		SL4040891SC		SCREW M4 L=8						2	
56		PJ301085201		HALF UNION						1	
57		16121006		FILTER REGULATOR						1	
58		PJ309005203		QUICK JOINT PLUG						1	
59		SL6051092TN		BOLT						2	
60		40082218		FILTER_INSTALLING_PLATE						1	
61		SL9082093SE		SCREW						1	
62		WP0871602SE		WASHER 8.7X18X1.6						1	
63		NM6080721SE		NUT M8						1	
64		40012307		CYLINDER CONNECTING PLATE						1	
65		SM6051600SP		SCREW M5 L=16						2	
66		40082213		CLOTH_GUIDE_A						1	
67		40082214		EDGE_GUIDE						1	
68		16121907		HOSE BAND						1	

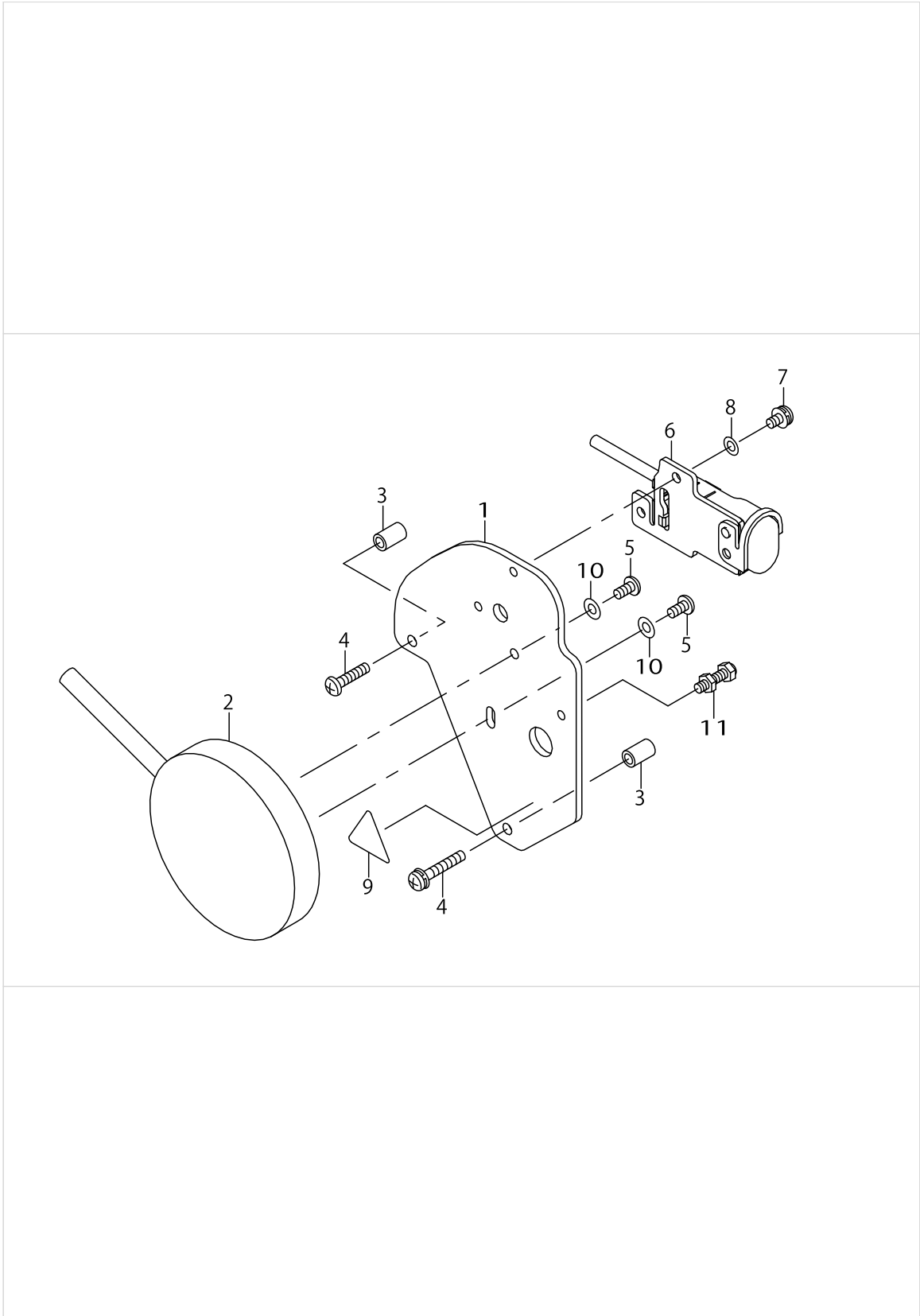
CLOTH FEED BLOW COMPONENTS



CLOTH FEED BLOW COMPONENTS

No.	Supply Code	Parts No.	Replacement	Parts name	Remarks	Choice	Step	Level	Cons	Qty	Rep. QTY
1		PC012601000		SPEED CONTROLLER						3	
2		G5080397000		TABLE BLOW						3	
3		NM6040001SC		NUT M4						3	
4		WP0450826SC		WASHER 4.5X10X0.8						3	
5		EA9500B0200		CABLE BAND 150						6	
6		HX00233000B		CABLE BAND						1	
7		PJ308060003		Y UNION						1	
8		PJ308060004		Y UNION						1	

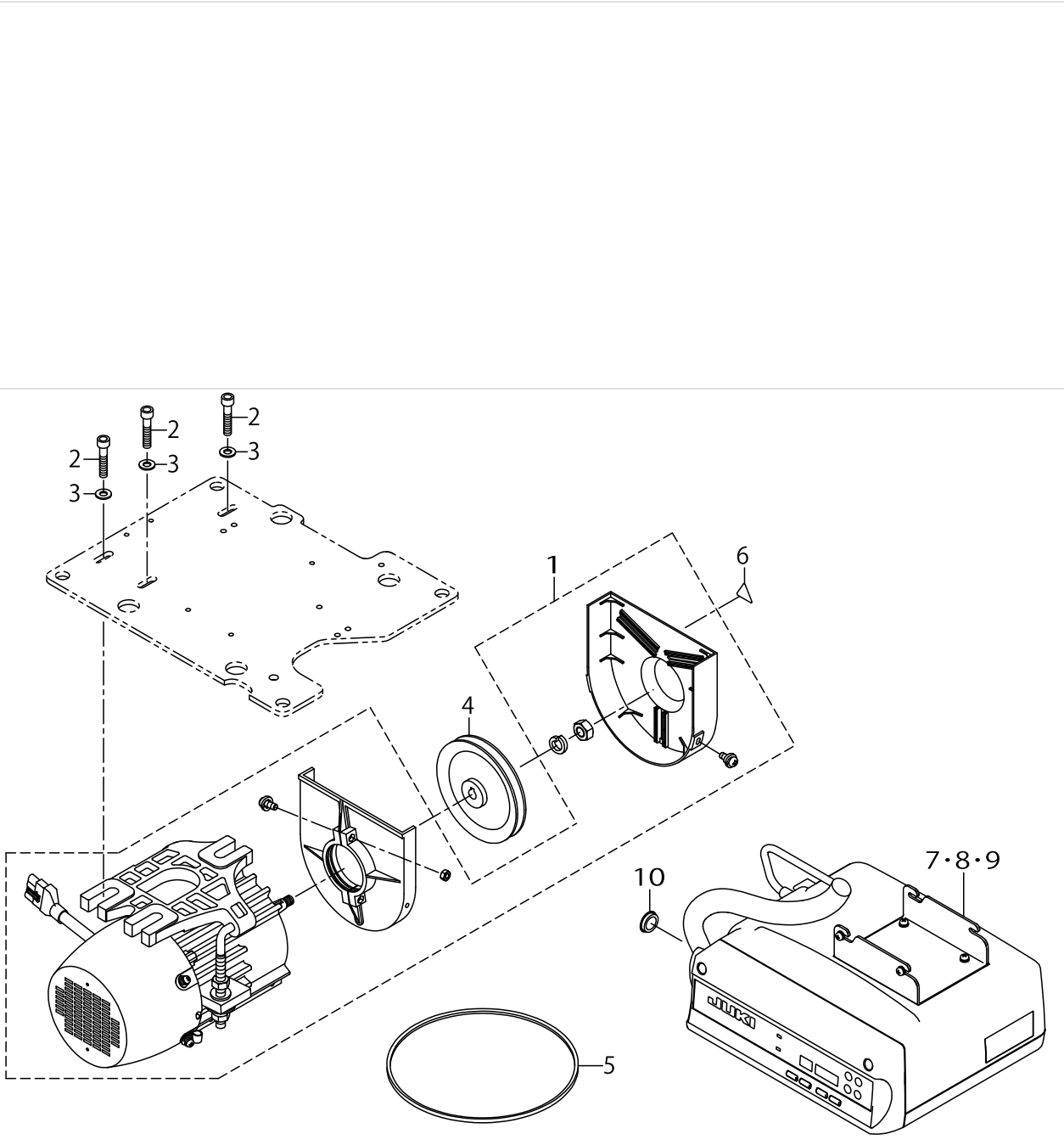
SWITCH COMPONENTS



SWITCH COMPONENTS

No.	Supply Code	Parts No.	Replacement	Parts name	Remarks	Choice	Step	Level	Cons	Qty	Rep. QTY
1		40075279		SENSOR_BASE						1	
2		40082341		STACKER_SWITCH_ASM						1	
3		12209706		COLLAR						2	
4		SL4042591SC		SCREW M4 L=25						2	
5		ST4041451SN		TAPPING SCREW						2	
6		32002354		SWITCH ASM.						1	
7		SL4040891SC		SCREW M4 L=8						2	
8		WP0430800SC		WASHER M4						2	
9		CM300200002		CAUTION LABEL(25)						1	
10		WP0430801SE		WASHER 4.3X9X0.8						1	
11		G5912254000		STOPPER BOLT						1	

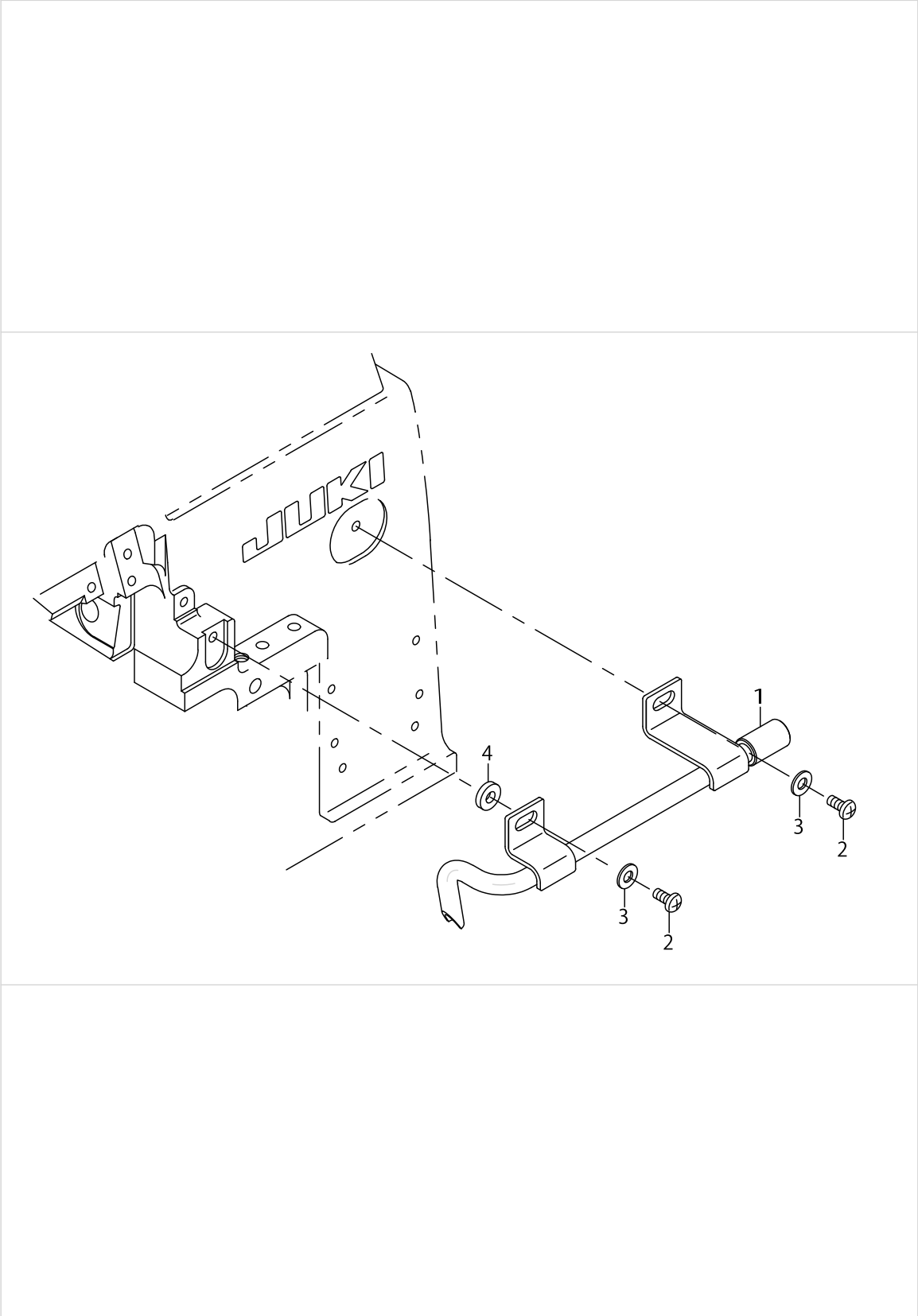
MOTOR ELECTRIC APPARATUS COMPONENTS



MOTOR ELECTRIC APPARATUS COMPONENTS

No.	Supply Code	Parts No.	Replacement	Parts name	Remarks	Choice	Step	Level	Cons	Qty	Rep. QTY
1		40018482		M50 COMPLETE JUS						1	
2		SM6084002TN		SCREW M8 L=40						3	
3		WP0841601SC		WASHER 8.4X17.4X1.6						3	
4		MTSP01250B0		MOTOR PULLEY ASM. P.C.D 125						1	
5		MTJVM003500		V-BELT 35 INCH						1	
6		CM300200002		CAUTION LABEL(25)						1	
7		40020400		SC510 1PHASE 200-240V PFL	FOR GENERAL EXPORT					1	
8		40020402		SC510 1PHASE 230V PFL CE	FOR CE					1	
9		40020398		SC510 1/3PHASE 120/240V PFL	FOR USE IN JAPAN					1	
10		TA2050406R0		RUBBER PLUG						1	

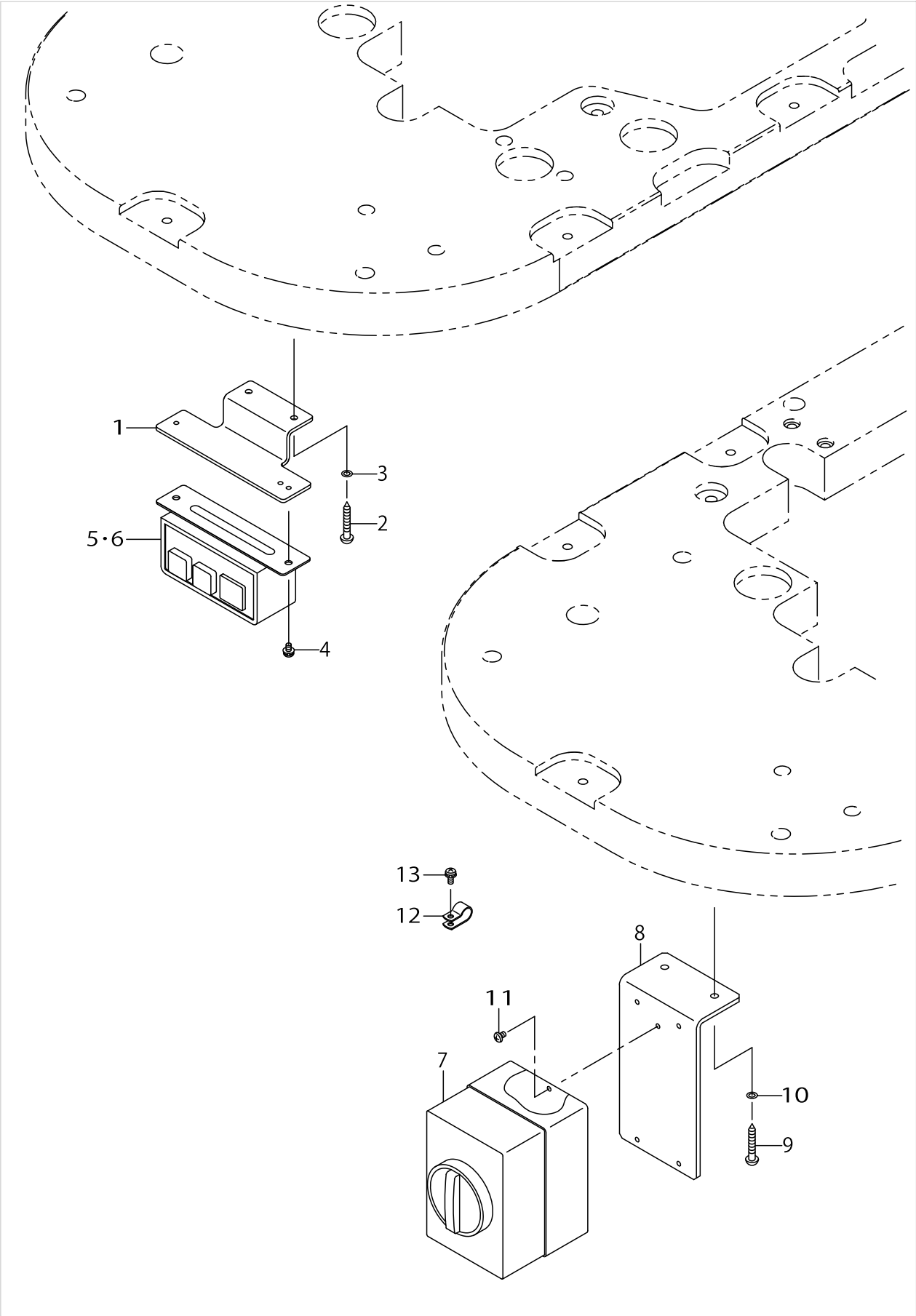
UPPER LOOPER ARM DUST COLLECTOR COMPONENTS



UPPER LOOPER ARM DUST COLLECTOR COMPONENTS

No.	Supply Code	Parts No.	Replacement	Parts name	Remarks	Choice	Step	Level	Cons	Qty	Rep. QTY
1		40082267		CLEANING_PIPE_ASSY						1	
2		SS4110915SP		SCREW 11/64-40 L=9						2	
3		WP0501016SD		WASHER 5X10.5X1						2	
4		WP0502616SD		WASHER						1	

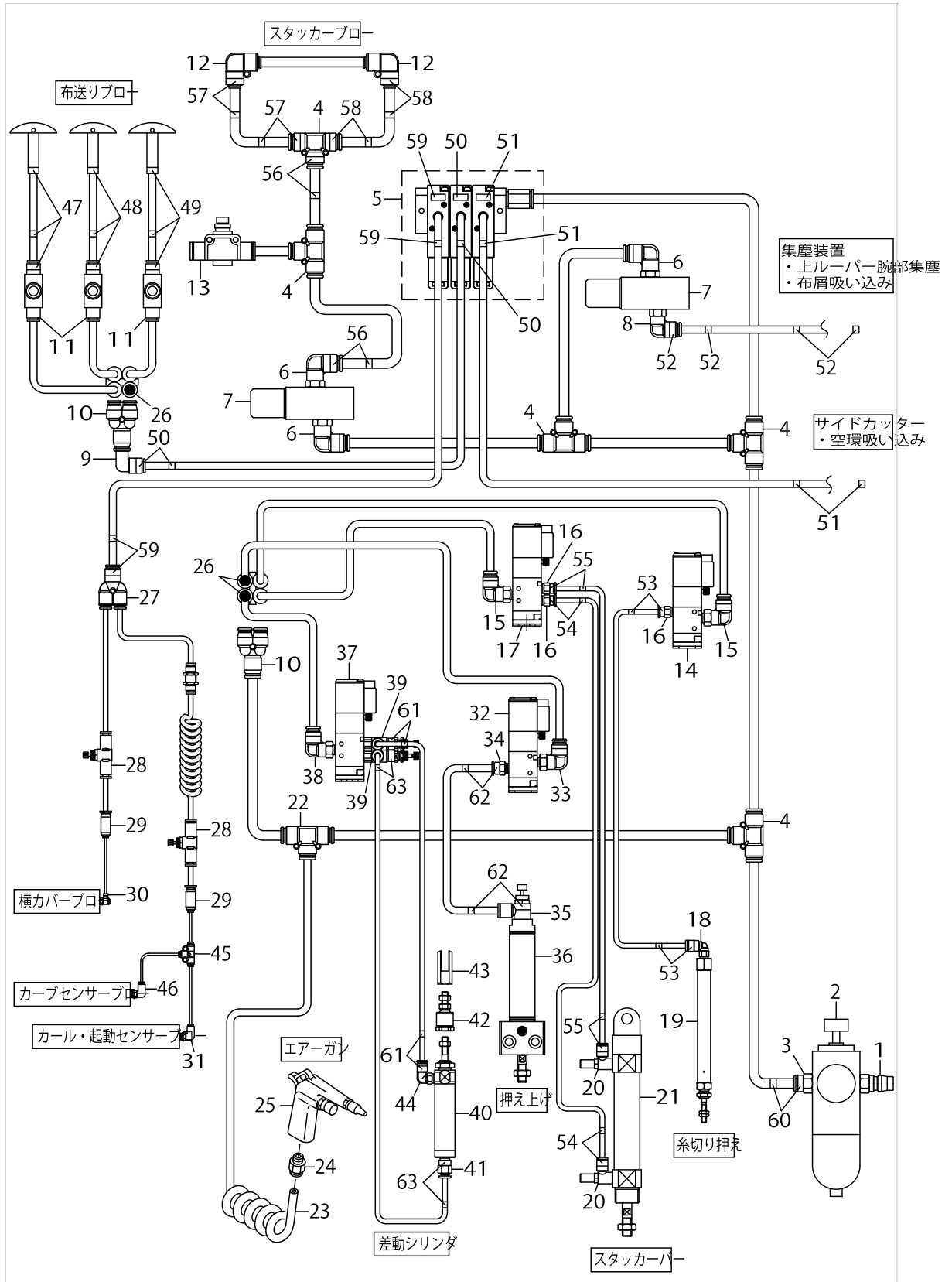
POWER SWITCH COMPONENTS



POWER SWITCH COMPONENTS

No.	Supply Code	Parts No.	Replacement	Parts name	Remarks	Choice	Step	Level	Cons	Qty	Rep. QTY
1		40082272		POWER_SWITCH_BRACKET						1	
2		SK3483201SE		WOOD SCREW D=4.8 L=32						2	
3		WP0480856SP		WASHER 4.8X8.4X0.8						2	
4		SL6040892TN		BOLT						2	
5		M6101471CA0		POWER SWITCH C ASM.	FOR GENERAL EXPORT (1-PHASE 200V~240V)					1	
6		40049385		POWER SWITCH D ASM.	FOR USE IN JAPAN (3-PHASE 200V)					1	
7		HA005820000		SWITCH	FOR CE					1	
8		40082265		MAIN_SWITCH_BRACKET	FOR CE					1	
9		SK3483201SE		WOOD SCREW D=4.8 L=32	FOR CE					2	
10		WP0480856SP		WASHER 4.8X8.4X0.8	FOR CE					2	
11		SM4040655SN		SCREW M4X0.7 L=6	FOR CE					2	
12		HX00150000D		CABLE CLIP	FOR CE					4	
13		SL4041091SC		SCREW M4 L=10	FOR CE					4	

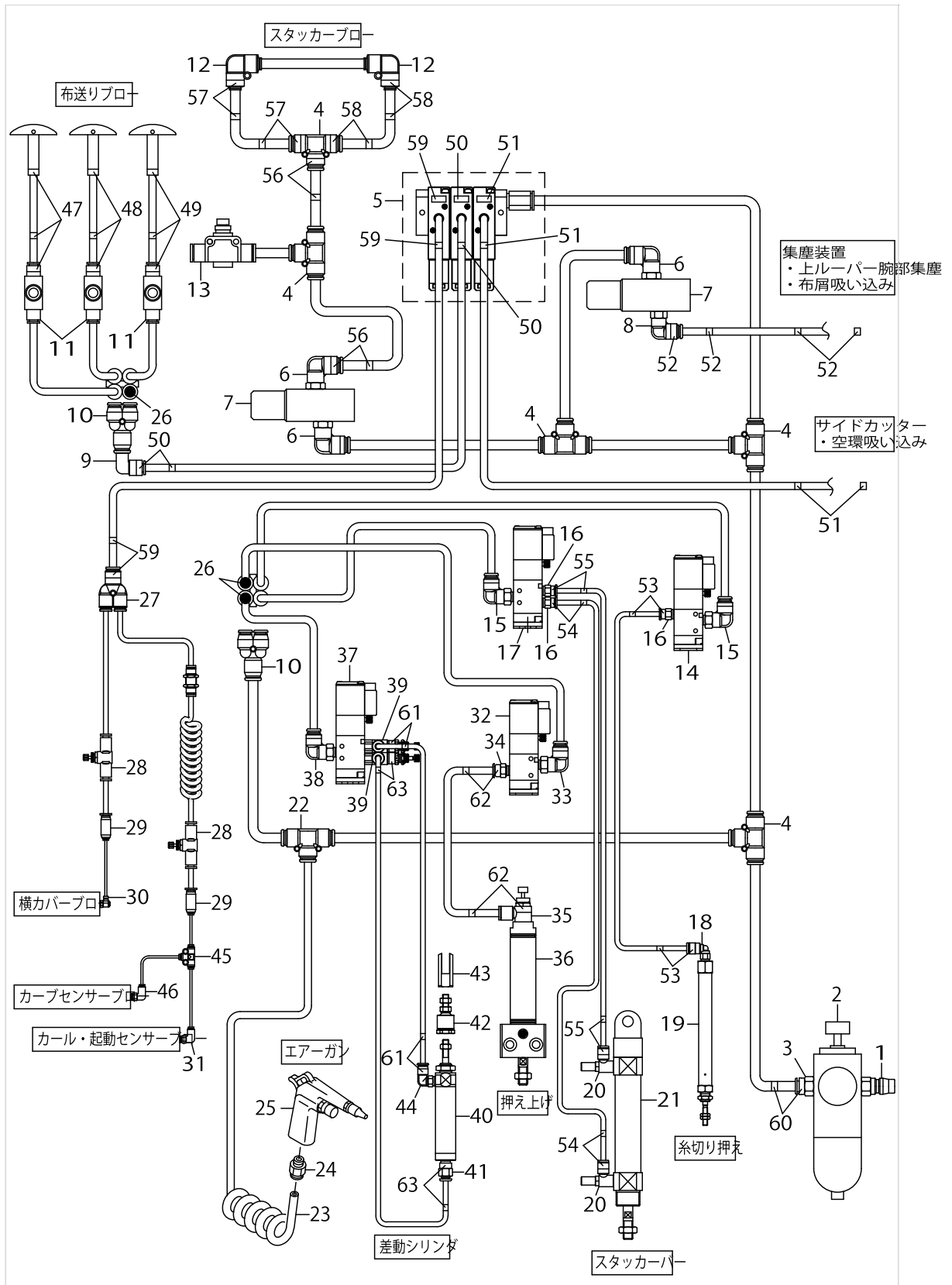
PNEUMATIC CIRCUIT DIAGRAM



PNEUMATIC CIRCUIT DIAGRAM

No.	Supply Code	Parts No.	Replacement	Parts name	Remarks	Choice	Step	Level	Cons	Qty	Rep. QTY
1		PJ309005203		QUICK JOINT PLUG						1	
2		16121006		FILTER REGULATOR						1	
3		PJ301085201		HALF UNION						1	
4		PJ305080002		UNION TEE						5	
5		G51003970A0		MANIHOLD ASM.						1	
6		PJ304085102		ELBOW						3	
7		G51023970A0		SOLENOID VALVE ASM.						2	
8		PJ304065102		ELBOW						1	
9		PJ304060001		ELBOW						1	
10		PJ309080004		UNION Y						2	
11		PC012601000		SPEED CONTROLLER						3	
12		PJ304080001		UNION ELBOW						2	
13		PC022801000		THROTTLE VALVE						1	
14		PV130540000		3-PORT SOLENOID VALVE						1	
15		PJ304060501		ELBOW						2	
16		PJ301040506		STRAIGHT						3	
17		PV150536000		5-PORT SOLENOID VALVE						1	
18		PJ304040504		ELBOW UNION						1	
19		PA1004505A0		CYLINDER						1	
20		PC010523000		SPEED CONTROLLER						2	
21		PA200500100		AIR CYLINDER						1	
22		PJ305080001		PIPE TEE						1	
23		GSS36020000		COIL TUBE						1	
24		PJ301065103		HALF UNION 6XPT1/8						1	
25		16111403		AIR GUN						1	
26		PX950001000		PLUG						3	
27		PJ308060002		TEE UNION						1	
28		PC012406000		SPEED CONTROLLER						2	
29		PJ303040005		UNION						2	
30		PJ046039003		ELBOW						1	
31		PJ304020301		ELBOW						1	
32		PV130540000		3-PORT SOLENOID VALVE	OPTIONAL PARTS					1	
33		PJ304060501		ELBOW	OPTIONAL PARTS					1	
34		PJ301060504		JOINT	OPTIONAL PARTS					1	
35		PC015114000		SPEED CONTROLLER	OPTIONAL PARTS					1	
36		PA2002514A0		AIR CYLINDER	OPTIONAL PARTS					1	
37		PV150536000		5-PORT SOLENOID VALVE	OPTIONAL PARTS					1	
38		PJ304060501		ELBOW	OPTIONAL PARTS					1	
39		PF070501000		PRESSURE DECREASING VALVE	OPTIONAL PARTS					1	
40		PA1503002A0		AIR CYLINDER	OPTIONAL PARTS					1	
41		PJ301040501		HALF UNION M5 D=4	OPTIONAL PARTS					1	
42		PA900036000		CYLINDER JOINT	OPTIONAL PARTS					1	
43		PA900056000		KNUCKLE Y	OPTIONAL PARTS					1	
44		PJ304040508		ELBOW	OPTIONAL PARTS					1	
45		PJ305020001		T-JOINT	OPTIONAL PARTS					1	
46		PJ304020301		ELBOW	OPTIONAL PARTS					1	

PNEUMATIC CIRCUIT DIAGRAM



PNEUMATIC CIRCUIT DIAGRAM

No.	Supply Code	Parts No.	Replacement	Parts name	Remarks	Choice	Step	Level	Cons	Qty	Rep. QTY
47		18035006		CABLE MARK NO.1						4	
48		18035105		WIRE MARK (2)						4	
49		18035204		WIRE MARK (3)						4	
50		18035303		WIRE MARK (4)						4	
51		18035402		WIRE MARK (5)						4	
52		18035501		WIRE MARK (6)						4	
53		18035600		WIRE MARK (7)						4	
54		18035709		WIRE MARK (8)						4	
55		18035808		WIRE MARK (9)						4	
56		18035907		WIRE MARK (10)						4	
57		18036004		WIRE MARK (11)						4	
58		18036103		WIRE MARK (12)						4	
59		18036202		WIRE MARK (13)						4	
60		18036301		WIRE MARK (14)						2	
61		18036400		WIRE MARK (15)						4	
62		18036509		WIRE MARK (16)						4	
63		18036608		WIRE MARK (17)						4	

TABLE COMPONENTS (ASN-690S)

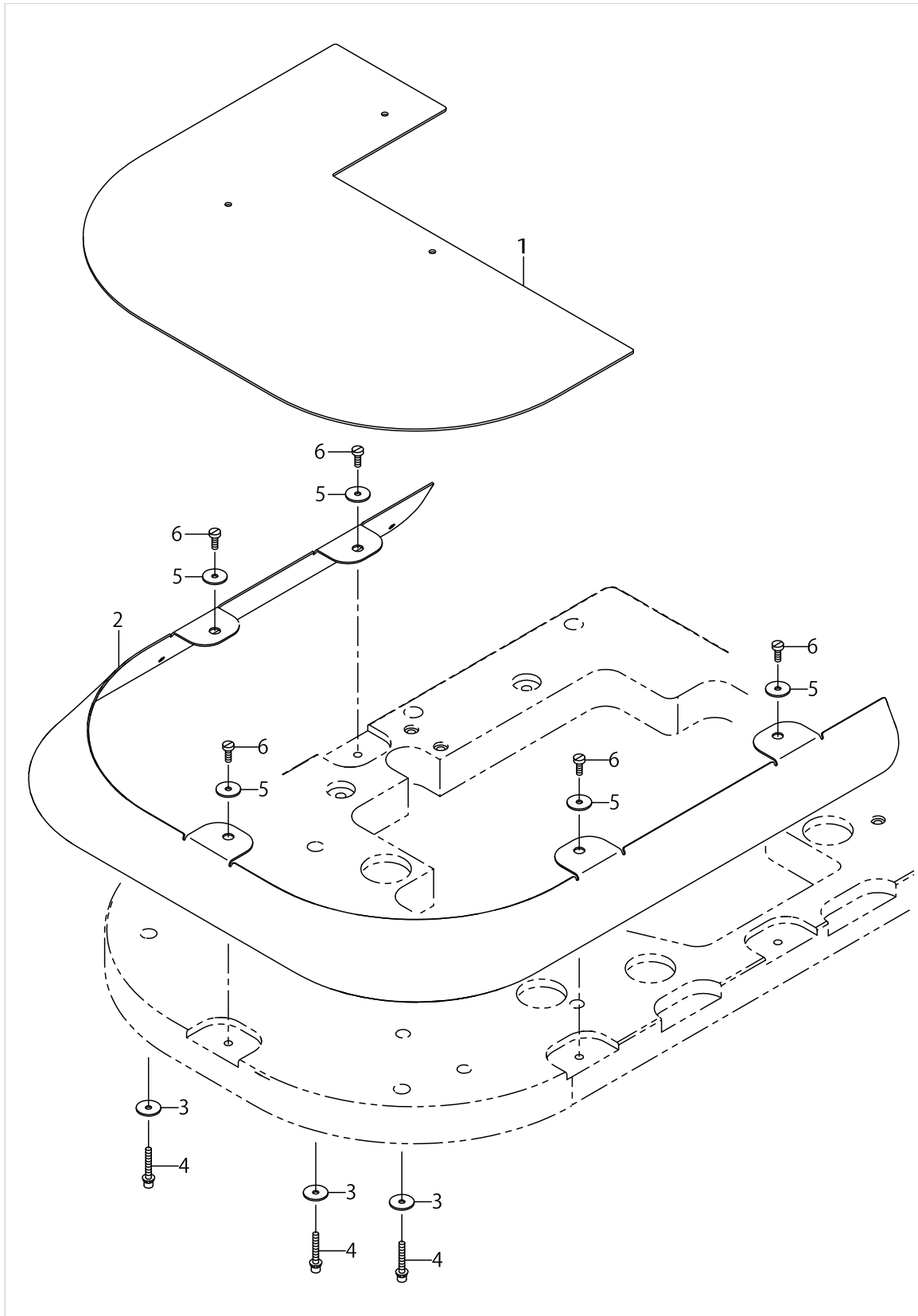


TABLE COMPONENTS (ASN-690S)

No.	Supply Code	Parts No.	Replacement	Parts name	Remarks	Choice	Step	Level	Cons	Qty	Rep. QTY
1		40082259		SEWING_TABLE_S_MAIN						1	
2		40082260		SEWING_TABLE_S_SUB						1	
3		WP0551626SD		WASHER5.5X22.0X1.6						3	
4		SL6053592TN		BOLT						3	
5		WP0551626SD		WASHER5.5X22.0X1.6						5	
6		SM6051400SP		SCREW						5	

TABLE COMPONENTS (ASN-690L)

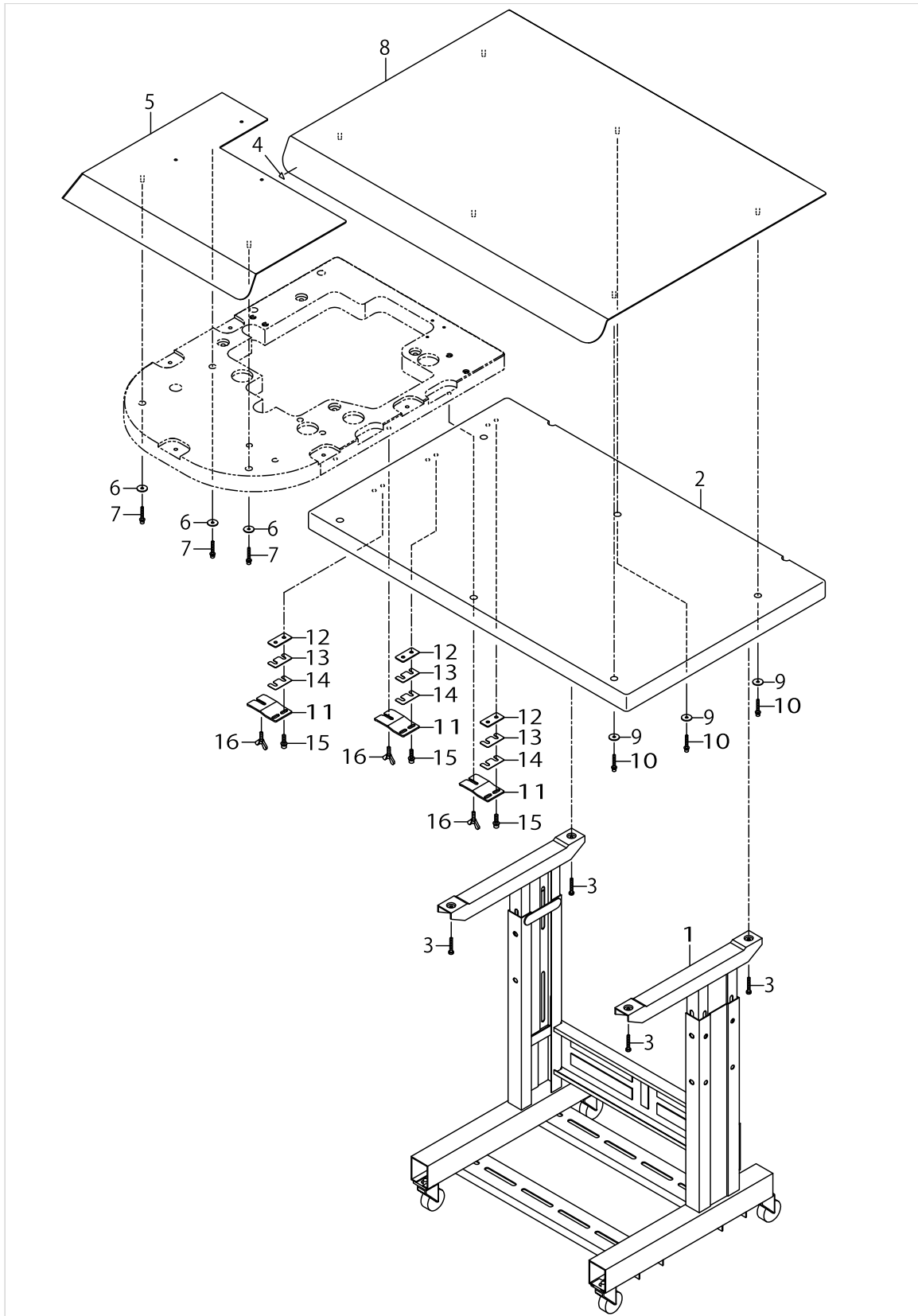
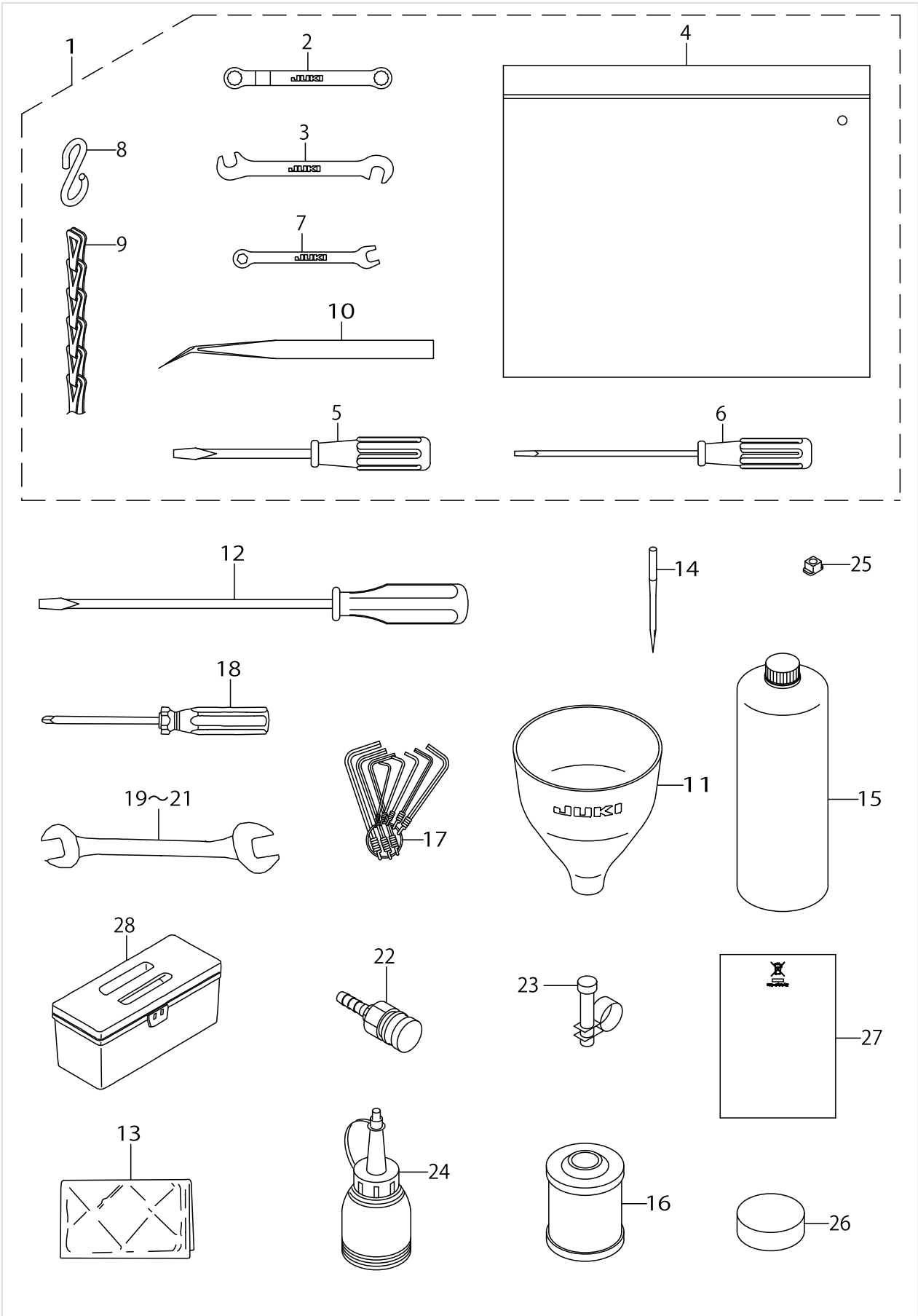


TABLE COMPONENTS (ASN-690L)

No.	Supply Code	Parts No.	Replacement	Parts name	Remarks	Choice	Step	Level	Cons	Qty	Rep. QTY
1		40082280		T_STAND_ASSY						1	
2		40085313		SUB_TABLE_ASSY						1	
3		ST9053511SR		TAPPING SCREW M5X35						4	
4		CM300200001		ATTENTION SEAL						1	
5		40082262		SEWING_TABLE_L_MAIN						1	
6		WP0551626SD		WASHER 5.5X22.0X1.6						3	
7		SL6053592TN		BOLT						3	
8		40085315		SEWING_TABLE_L_SUB						1	
9		WP0551626SD		WASHER 5.5X22.0X1.6						6	
10		SL6053592TN		BOLT						6	
11		40082264		SUB_TABLE_BRACKET						3	
12		40076142		SPACER2.0	SELECTIVE PARTS					3	
13		40076143		SPACER1.0	SELECTIVE PARTS					6	
14		40076144		SPACER0.5	SELECTIVE PARTS					3	
15		SL6062592TN		SCREW						6	
16		16187007		WING BOLT						3	

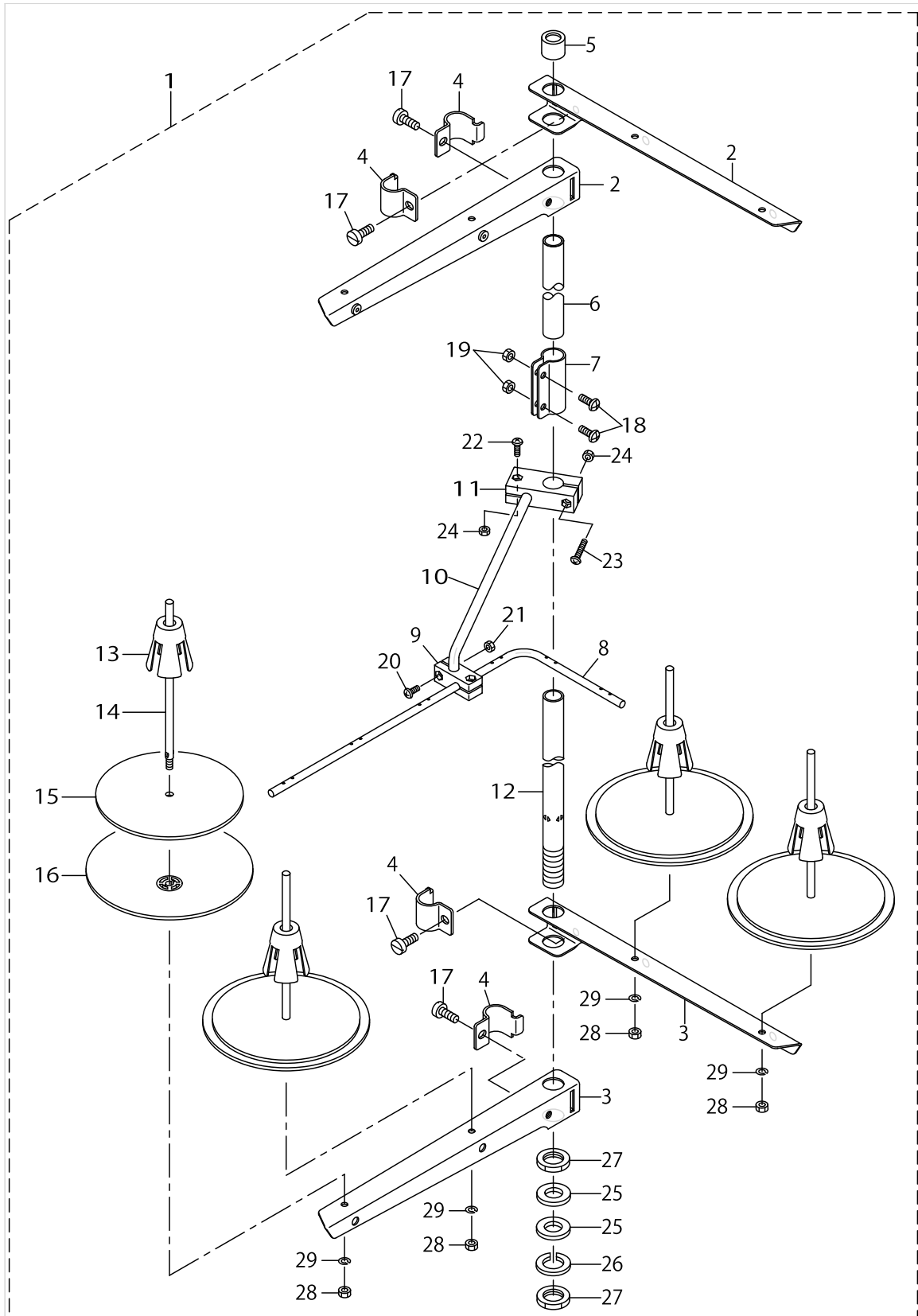
ACCESSORIE PARTS COMPONENTS



ACCESSORIE PARTS COMPONENTS

No.	Supply Code	Parts No.	Replacement	Parts name	Remarks	Choice	Step	Level	Cons	Qty	Rep. QTY
1		13160858		ACCESSORIE BAG ASM.						1	
2		13160007		RING SPANNER				*		1	
3		13160205		PIN SPANNER				*		1	
4		22932800		ACCESSORIE BAG				*		1	
5		22933105		SCREW DRIVER (MIDDLE)				*		1	
6		12347308		SCREW DRIVER (SMALL)				*		1	
7		13160106		SPANNER (5X6)				*		1	
8		13160304		S SHAPED HOOK				*		2	
9		13160403		CHAIN				*		1	
10		12288403		TWEEZERS				*		1	
11		13160601		FUNNEL						1	
12		22933006		SCREW DRIVER (LARGE)						1	
13		40048535		HEAD_COVER						1	
14		MDC270B1104		NEEDLE DCX27 #11-4EA.						1	
15		MML018900CA		JUKI MACHINE OIL 18						1	
16		13142500		CARTRIDGE FILTER						1	
17		G91011160A0		L-SHAPED WRENCH ASM.						1	
18		J1071000000		SCREW DRIVER						1	
19		J1043000A0A		WRENCH 10X13						1	
20		B9102761000		WRENCH (17X19)						1	
21		B9110804000		WRENCH (8X9)						1	
22		PJ309520001		SOCKET						1	
23		PB000010000		HOSE BAND						1	
24		J1067000000		OILER						2	
25	R	MAT02503000	40045962	SLIDE BLOCK						1	1.00
26		18072603		THREAD CUTTER S-UPPORT CUSHION						1	
27		CM600100201		WEEE INFORMATION SHEET	FOR CE					1	
28		B8601WP10A0		TOOL BOX ASM.						1	

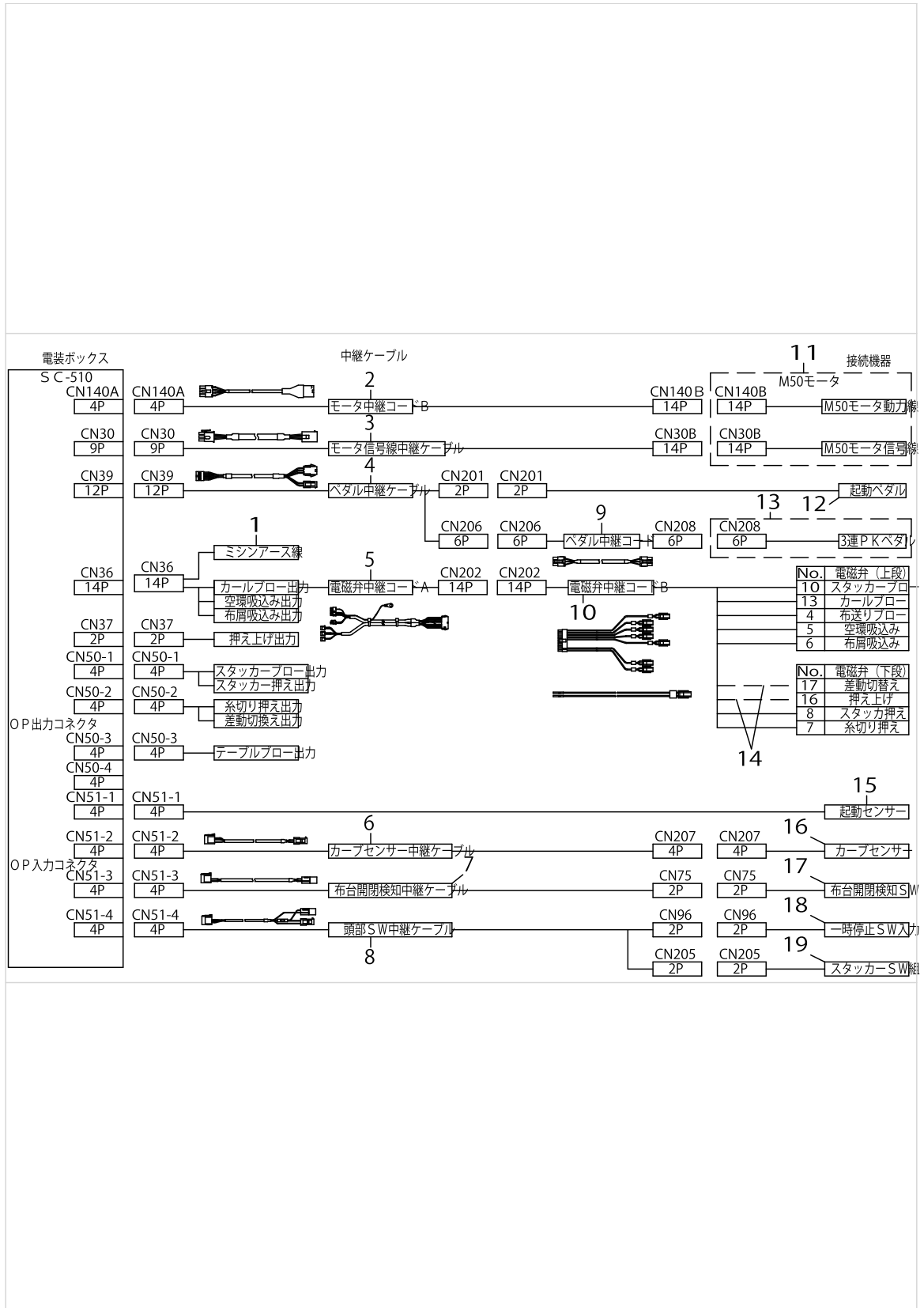
THREAD STAND COMPONENTS



THREAD STAND COMPONENTS

No.	Supply Code	Parts No.	Replacement	Parts name	Remarks	Choice	Step	Level	Cons	Qty	Rep. QTY
1	R	13167556	40106584	THREAD STANDING DEVICE ASM.						1	1.00
2	R	22930556	40096354	THREAD STANDING ARM ASM.				*		2	1.00
3	R	22930507	40096354	SPOOL REST ARM				*		2	1.00
4	R	22930705	40096354	THREAD GUIDE ARM JOINT				*		4	1.00
5		22931406		SPOOL REST ROD RUBBER CAP				*		1	
6	R	22930408	40096354	SPOOL REST ROD (UPPER)				*		1	1.00
7	R	22931307	40096354	SPOOL REST ROD JOINT				*		1	1.00
8	R	13167903	26910059	THREAD STANDING THREAD GUIDE				*		1	1.00
9	D R	13168000	26910059	THREAD GUIDE BASE (LOWER)				*		1	1.00
10	R	13168109	26910059	THREAD GUIDE ARM BASE				*		1	1.00
11	R	13168208	26910059	THREAD GUIDE ARM BASE				*		1	1.00
12	R	22930309	40096354	SPOOL REST ROD (LOWER)				*		1	1.00
13	R	22931109	40085791	SPOOL RETAINER				*		4	1.00
14	R	22931000	40085790	SPOOL PIN				*		4	1.00
15		22930903		SPOOL REST CUSHION				*		4	
16		22930804		SPOOL REST				*		4	
17		SM6061610SC		SCREW M6 L=16				*		4	
18		SM4051405SE		SCREW M5 L=14				*		2	
19		NM6050001SE		NUT M5				*		2	
20		SM4041001SC		SCREW M4X0.7 L=10				*		2	
21		NM6040002SE		NUT M4X0.7				*		2	
22		SM4041201SC		SCREW M4 L=12				*		1	
23		SM4042001SC		SCREW M4 X 20				*		1	
24		NM6040002SE		NUT M4X0.7				*		2	
25		WP1612616SE		WASHER 16X30X2.6				*		2	
26	R	WS1643202KR	WP1612616SE	SPRING WASHER		A		*		1	2.00
26	R	WS1643202KR	40085796	SPRING WASHER		A		*		1	2.00
27		NM6160511SE		NUT M16X1.5				*		2	
28		NM6050001SE		NUT M5				*		4	
29		WS0510002KN		SPRING WASHER				*		4	

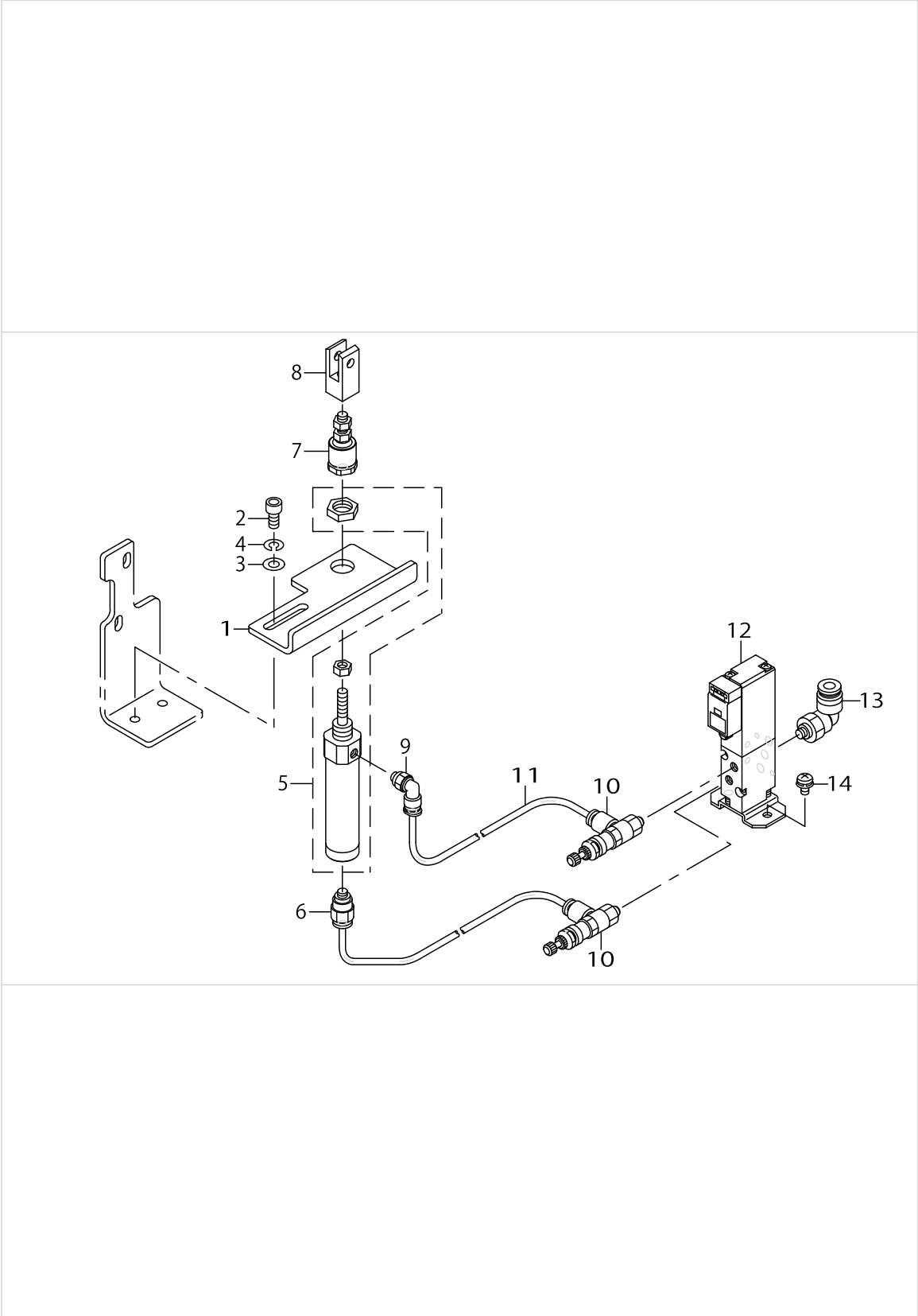
WIRING DIAGRAM



WIRING DIAGRAM

No.	Supply Code	Parts No.	Replacement	Parts name	Remarks	Choice	Step	Level	Cons	Qty	Rep. QTY
1		23601057		EARTH CORD ASM.						1	
2		40082336		MOTOR_JOINT_CORD_ASSY	FOR CE					1	
3		40082335		ENCODER_CORD_ASSY						1	
4		40082337		PEDAL_JOINT_CORD_ASSY						1	
5		40082343		VALVE_JOINT_CORD_ASSY_A						1	
6		40082340		CURVE_SENSOR_JO- INT_CORD_ASSY	OPTIONAL PARTS					1	
7		40082345		TABLE_SWITCH_JOINT_CORD_ASSY						1	
8		40082342		SWITCH_JOINT_CORD_ASSY						1	
9		40082349		PEDAL_JOINT_CORD_ASM.						1	
10		40082344		VALVE_JOINT_CORD_ASSY_B						1	
11		40018482		M50 COMPLETE JUS						1	
12		40082348		START_SWITCH_ASM.						1	
13		40082455		3-PEDAL(PK-79)	OPTIONAL PARTS					1	
14		40082347		VALVE_CORD_ASSY_B	OPTIONAL PARTS					2	
15		40082338		START_SENSOR_ASSY						1	
16		40082339		CURVE_SENSOR_ASSY	OPTIONAL PARTS					1	
17		32002255		SWITCH ASM.						1	
18		32002354		SWITCH ASM.						1	
19		40082341		STACKER_SWITCH_ASM.						1	

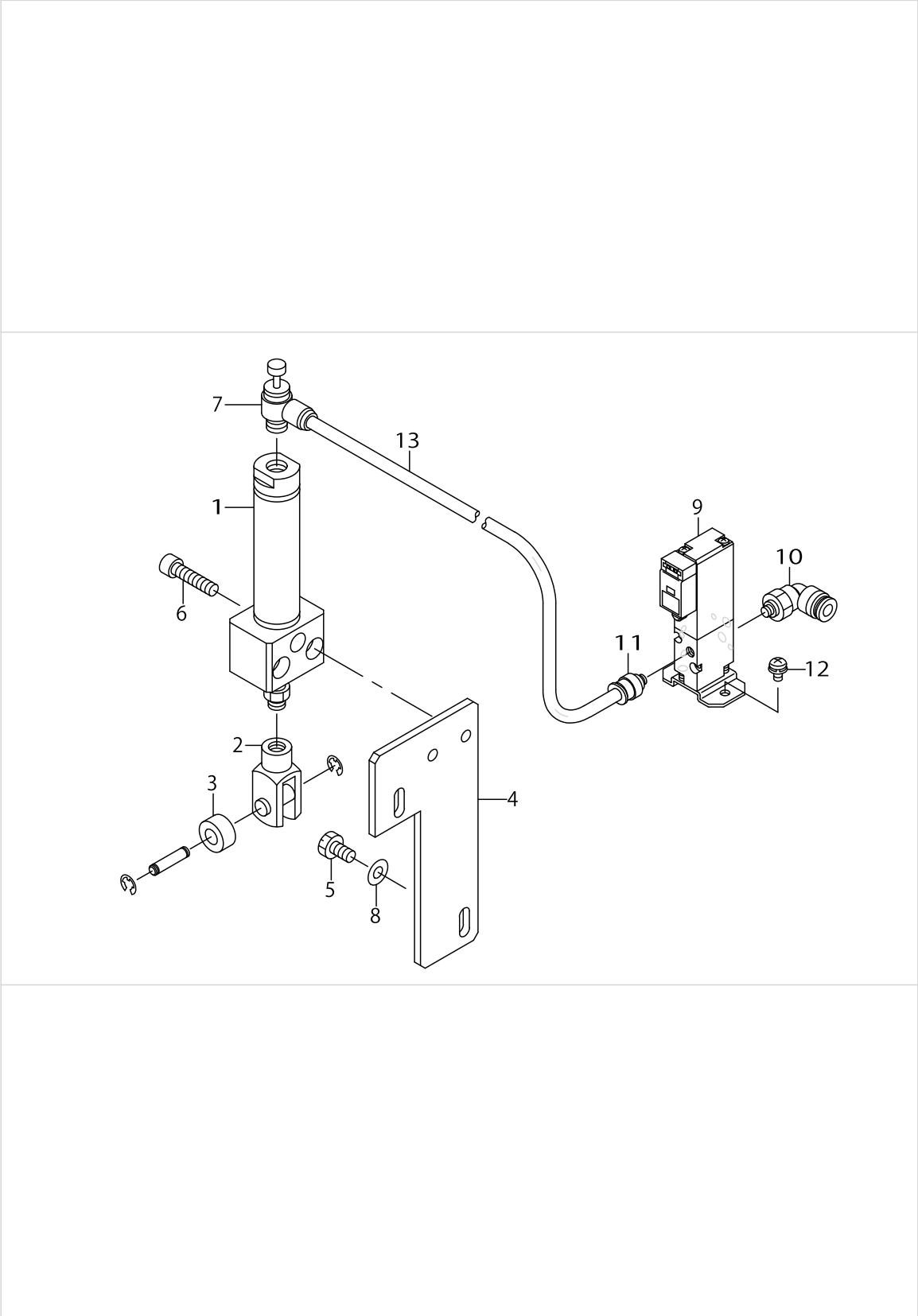
PF-10:DIFFERENTIAL MECHANISM COMPONENTS (OPTIONAL PARTS)



PF-10:DIFFERENTIAL MECHANISM COMPONENTS (OPTIONAL PARTS)

No.	Supply Code	Parts No.	Replacement	Parts name	Remarks	Choice	Step	Level	Cons	Qty	Rep. QTY
1		G5020397000		CYLINDER INSTALLING PLATE						1	
2		SM6051002TP		SCREW M5X0.8 L=10						2	
3		WP0550800SP		WASHER 5.5X10X0.8						2	
4		WS0510002KP		SPRING WASHER 5.1X9.2X1.3						2	
5		PA1503002A0		AIR CYLINDER						1	
6		PJ301040501		HALF UNION M5 D=4						1	
7		PA900036000		CYLINDER JOINT						1	
8		PA900056000		KNUCKLE Y						1	
9		PJ304040508		ELBOW						1	
10		PF070501000		PRESSURE DECREASING VALVE						2	
11		BT0400251EB		URETHANE HOSE BLACK						1	
12		PV150536000		5-PORT SOLENOID VALVE						1	
13		PJ304060501		ELBOW						1	
14		SL4040891SC		SCREW M4 L=8						2	

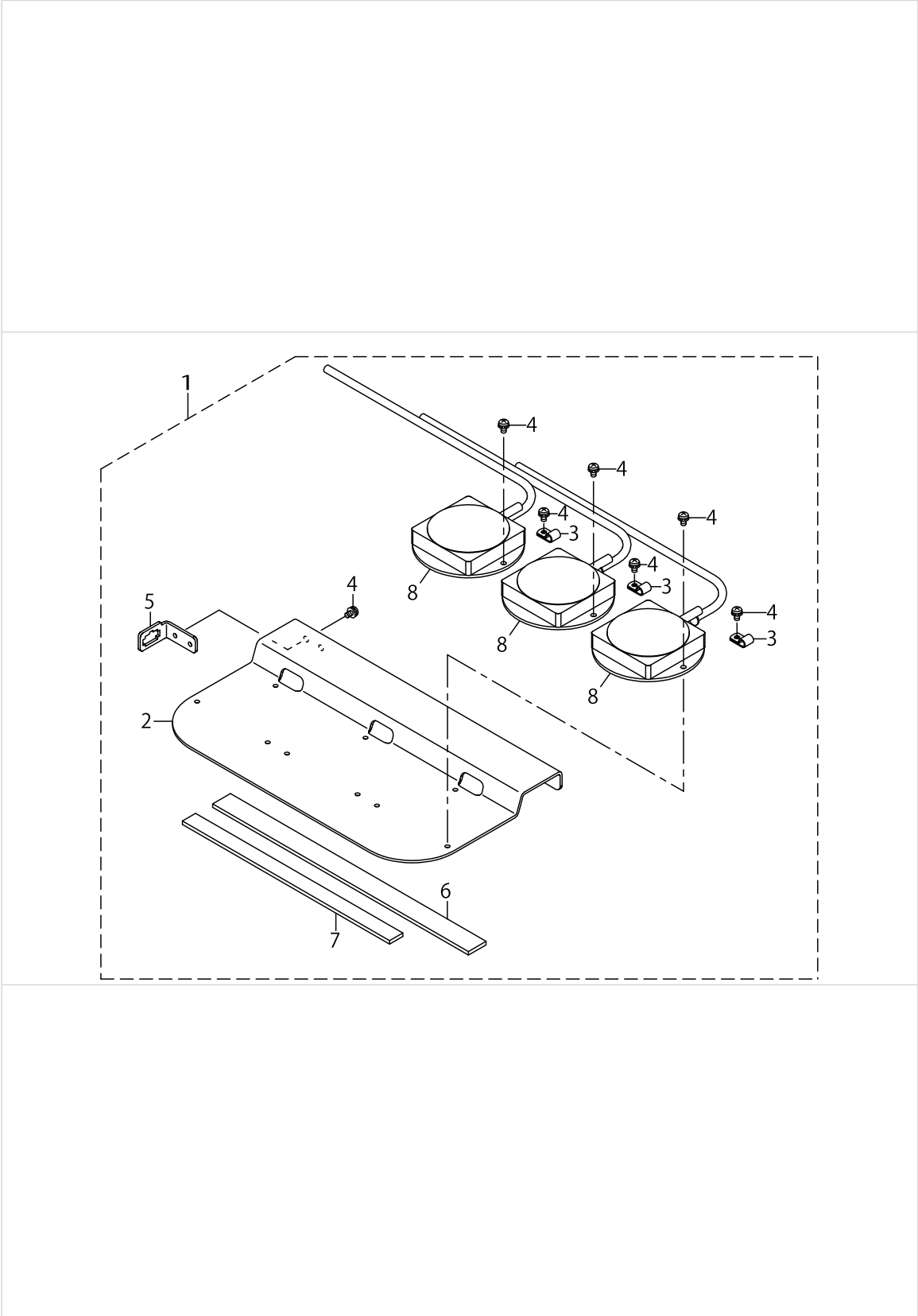
AK-139:PRESSER FOOT LIFTER COMPONENTS (OPTIONAL PARTS)



AK-139:PRESSER FOOT LIFTER COMPONENTS (OPTIONAL PARTS)

No.	Supply Code	Parts No.	Replacement	Parts name	Remarks	Choice	Step	Level	Cons	Qty	Rep. QTY
1		PA2002514A0		AIR CYLINDER						1	
2		PX500003000		KNUCKLE						1	
3		B1210111000		NEEDLE BAR CRANK COLLAR						1	
4		40082219		CYLINDER PLATE						1	
5		SS9151120CP		SCREW15/64-28L=11						2	
6		SM6062502TP		SCREW M6 L=25						2	
7		PC015114000		SPEED CONTROLLER						1	
8		WP0641600SC		WASHEW6.4X12.5X1.6						2	
9		PV130540000		3-PORT SOLENOID VALVE						1	
10		PJ304060501		ELBOW						1	
11		PJ301060504		JOINT						1	
12		SL4040891SC		SCREW M4 L=8						2	
13		BT0600401EB		TUBE						1	

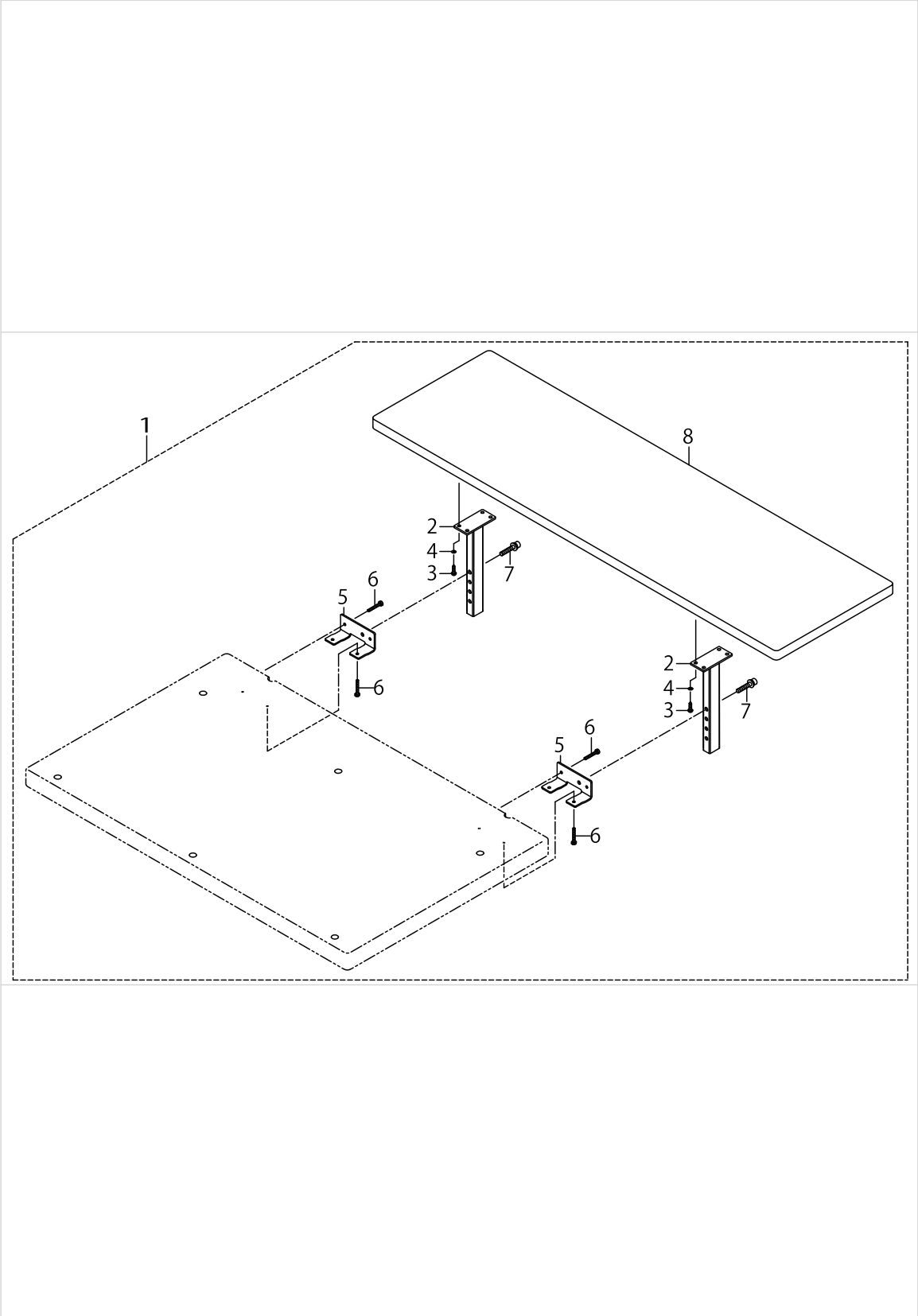
PK-79:PEDAL COMPONENTS (OPTIONAL PARTS)



PK-79:PEDAL COMPONENTS (OPTIONAL PARTS)

No.	Supply Code	Parts No.	Replacement	Parts name	Remarks	Choice	Step	Level	Cons	Qty	Rep. QTY
1		40082455		3-PEDAL(PK-79)						1	
2		40082257		PEDAL_BASE				*		1	
3		HX00150000C		CABLE CLIP				*		3	
4		SL4040891SC		SCREW M4 L=8				*		11	
5		40082255		PEDAL_PLUG_BRACKET				*		1	
6		GPK18020000		PEDALBASE RUBBER				*		1	
7		GPK26002000		PEDALBASE RUBBER				*		1	
8		HA006230000		SWITCH				*		3	

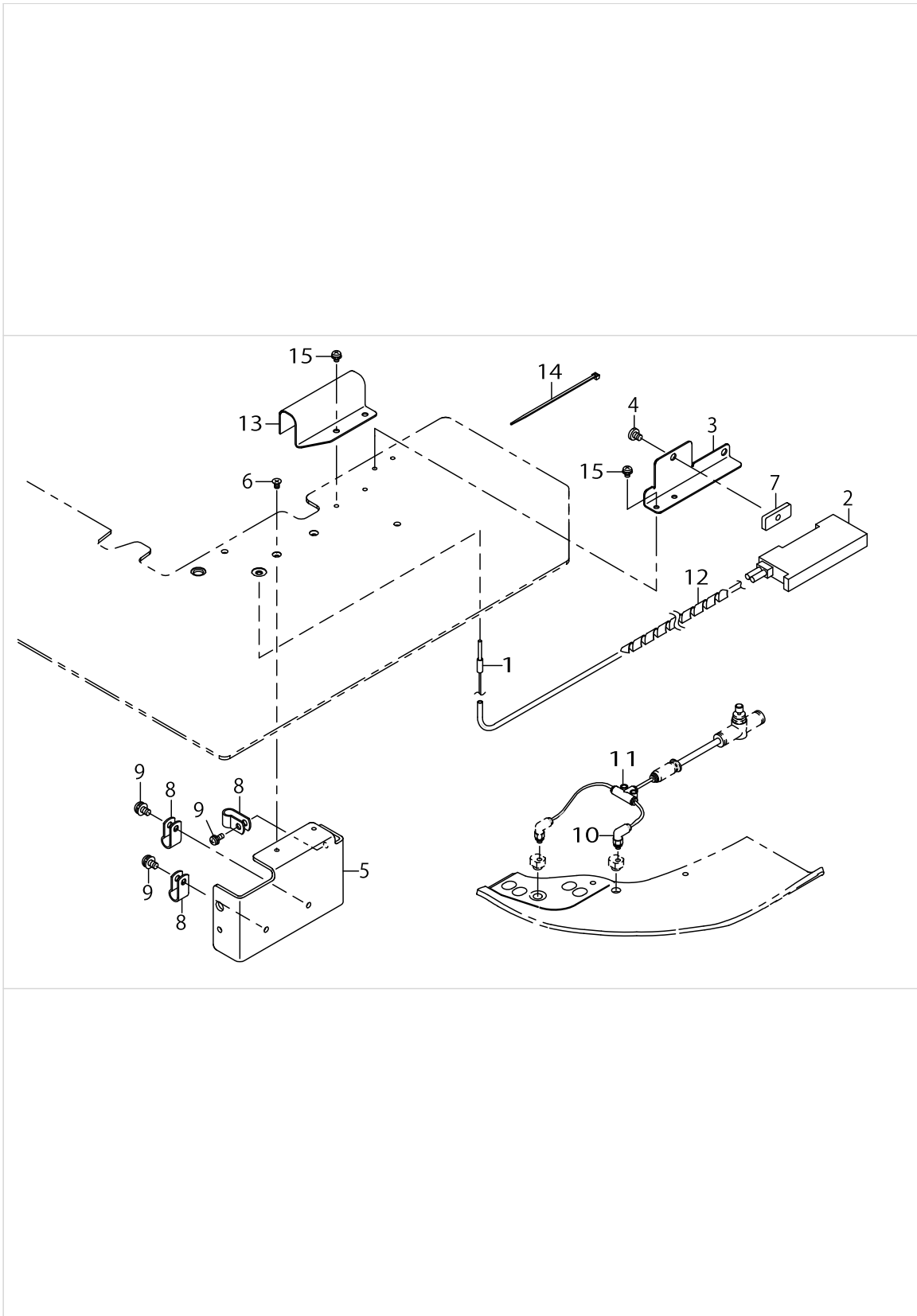
KM-5:CLOTH TABLE COMPONENTS (OPTIONAL PARTS)



KM-5:CLOTH TABLE COMPONENTS (OPTIONAL PARTS)

No.	Supply Code	Parts No.	Replacement	Parts name	Remarks	Choice	Step	Level	Cons	Qty	Rep. QTY
1		40082456		CLOTH_TABLE(KM-5)						1	
2		40082245		CLOTH_TABLE_FOOT				*		2	
3	R	SK3552000SC	SK3512001SE	WOOD SCREW D=5.5 L=20				*		8	1.00
4		WP0450826SC		WASHER 4.5X10X0.8				*		8	
5		40075281		CLOTH_TABLE_BRACKET				*		2	
6		ST9053511SR		TAPPING SCREW M5X35				*		8	
7		SL6084092TN		BOLT				*		2	
8		40082222		CLOTH TABLE				*		1	

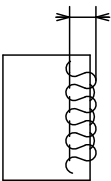
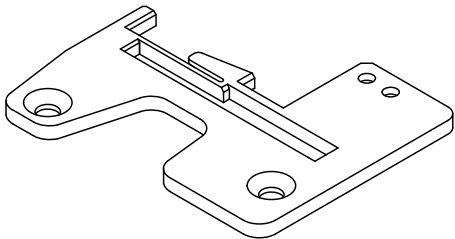
CL-5:CURVE SENSOR COMPONENTS (OPTIONAL PARTS)



CL-5:CURVE SENSOR COMPONENTS (OPTIONAL PARTS)

No.	Supply Code	Parts No.	Replacement	Parts name	Remarks	Choice	Step	Level	Cons	Qty	Rep. QTY
1		HD002820010		SENSOR					☆	1	
2		40082339		CURVE_SENSOR_ASSY					☆	1	
3		40083834		SENSOR COVER						1	
4		SS7110570SP		SCREW 11/64-40 L= 4.8						1	
5		40082244		SENSOR_COVER						1	
6		SM1030501SC		SCREW M3 L=5						2	
7		22556906		FIXED PLATE						1	
8		HX00150000B		CABLE CLIP						3	
9		SL4040891SC		SCREW M4 L=8						3	
10		PJ304020301		ELBOW						1	
11		PJ305020001		T-JOINT						1	
12		HX003140000		SPIRAL TABE						.2	
13		40083836		FIBER COVER						1	
14		EA9500B0100		CABLE BAND						1	
15		SL4030591SC		SCREW M3X5						1	

GAUGE COMPONENTS

Overredging width かがり幅	Throat plate 針板	
		
mm	Ref.No.	Part No.
4.0	1	400-82223
4.8	2	400-82224
5.6	3	400-82225

GAUGE COMPONENTS

No.	Supply Code	Parts No.	Replacement	Parts name	Remarks	Choice	Step	Level	Cons	Qty	Rep. QTY
1		40082223		NEEDLE_PLATE_E					☆	1	
2		40082224		NEEDLE_PLATE_F					☆	1	
3		40082225		NEEDLE_PLATE_G					☆	1	

LIST FOR INFORMATION OF CHANGE (1)

As to the place changed, refer to the corresponding Rev.No.
 When previous parts(Obsoleted part)and new parts(Added parts)are
 not interchangeable with each other:
 In this case,even obsoleted parts(D.)can be ordered with the
 obsoleted part number,so select the parts with changed dates and
 place your orders.

変更箇所は、該当Rev.No.版をご参照ください。
 部品の互換性がない変更の場合は、削除された品番でも、ご注文できます。

40082560
 No.1516-02 Rev.No.

*A:Added parts追加部品/D:Obsoleted parts削除部品/E:Erratum訂正

* Rev. No.	Page 頁	Ref. No.	Parts No. 品番	* Rev. No.	Page 頁	Ref. No.	Parts No. 品番
D 01	2	30	SS-6090670-SP	A 02	2	30	SS-6090670-TP
				A 02	2	24	400-82517
D 01	2	36	SM-6030602-TN	A 02	12	44	MOVEMENT - 移動
D 01	2	37	WP-0320500-SC	A 02	12	45	MOVEMENT - 移動
D 01	2	39	400-12307	A 02	12	64	MOVEMENT - 移動
D 01	2	40	SM-6051600-SP	A 02	12	65	MOVEMENT - 移動
D 01	2	45	400-82213	A 02	12	66	MOVEMENT - 移動
D 01	2	46	400-82214	A 02	12	67	MOVEMENT - 移動
D 01	3	1	400-45965	A 02	3	1	400-85135
D 01	3	22	MAT-02503000	A 02	3	22	400-45962
D 01	3	28	161-21907	A 02	12	68	MOVEMENT - 移動
D 01	6	5	161-36400	A 02	6	5	400-84436
D 01	6	10	SM-9051203-SE	A 02	6	10	SL-6051492-TN
D 01	6	20	250-32400	A 02	6	20	400-83978
D 01	6	27	GSS-31151N00				
				A 02	6	27	WP-0851846-SC
				A 02	6	67	400-91283
				A 02	6	68	400-91284
				A 02	6	69	400-91285
D 01	8	-	ALL PARTS - 全部品	A 02	8	-	ALL PARTS - 全部品
D 01	12	33	400-82210	A 02	12	33	400-99986
D 01	12	34	400-82242	A 02	12	34	400-99987
D 01	12	35	400-82243	A 02	12	35	400-99988
D 01	12	44	SM-8030402-TP				
D 01	12	45	NM-6030001-SC				
D 01	13	3	400-75285				
D 01	13	4	SL-4043091-SC				
D 01	13	5	NM-6040001-SC				
D 01	13	6	PJ-3040600-01				
D 01	13	7	PJ-3090800-04				
D 01	13	11	PX-9500010-00				
				A 02	13	6	HX-0023300-0B
				A 02	13	7	PJ-3080600-03
				A 02	13	8	PJ-3080600-04
D 01	14	3	229-56205	A 02	14	3	122-09706
D 01	14	4	SM-4041801-SN	A 02	14	4	SL-4042591-SC

HOW TO MAKE USE OF THIS PARTS LIST

1.Explanation of codes

1)"*"mark.....means this part is changed from the previous parts book.

As to the details of the change, refer to the "List for information of change".

2)"#01".....refer to "Note" explanation at bottom of page.

2.Codes on the "Qty" column

- Each numeral indicates the number of parts required.
- "0.1" and "2.5" indicate the length (in meters) of the respective parts.

3.Parentheses mean that the corresponding part is a subpart that constructs an assembly part.

4.Dotted lines on the Figures indicate assembly parts.

5.As to the parts with marks of "☆"(consumable parts) and "◎"(optional parts)on the respective parts, it is recommended to prepare spares.

1 ."注記"欄の記号説明

1) "*"印.....前回のパーツブックに比較して今回変更された部品を意味します。

変更内容は、"変更情報リスト"を参照してください。

2) "#01".....ページ下の"注記"の説明を参照してください。

2.数量欄の数字は、個数を表し、0.1、2.5等の数値は、長さ（単位メートル）を表します。

3.数量欄の（ ）は、組部品を構成している子部品であることを意味します。

4.イラストページの-----枠は、組構成であることを意味します。

5.リストページの"☆"（消耗部品）、"◎"（オプション部品）の印がついた部品は、予備を準備しておくことをお奨めします。

NUMERICAL INDEX OF PARTS

PART NO	PAGE	REF NO.	PART NO	PAGE	REF NO.	PART NO	PAGE	REF NO.
10901106	6	8	18035006	34	47	32002354	24	6
11820701	2	32	18035105	34	48	32002354	44	18
12112504	2	21	18035204	34	49	40012307	20	64
12112603	2	22	18035303	34	50	40018482	26	1
12112702	2	20	18035402	34	51	40018482	44	11
12209706	24	3	18035501	34	52	40020398	26	7·8·9
12288403	40	10	18035600	34	53	40020400	26	7·8·9
12347308	40	6	18035709	34	54	40020402	26	7·8·9
13102702	2	14	18035808	34	55	40035100	14	6
13110804	2	19	18035907	34	56	40045962	4	22
13142500	40	16	18036004	34	57	40045966	4	2
13148101	2	15	18036103	34	58	40048535	40	13
13149208	2	11	18036202	34	59	40049385	30	5·6
13149307	2	12	18036301	34	60	40058951	10	55
13149406	2	8	18036400	34	61	40075275	8	1
13149505	2	9	18036509	34	62	40075279	24	1
13149703	2	10	18036608	34	63	40075281	52	5
13149901	2	16	18072553	8	12	40075287	14	4
13155064	14	17	18072603	40	26	40076142	38	12
13155403	14	28	22556906	20	48	40076143	38	13
13160007	40	2	22556906	54	7	40076144	38	14
13160106	40	7	22930309	42	12	40082207	2	40
13160205	40	3	22930408	42	6	40082208	14	54
13160304	40	8	22930507	42	3	40082208	16	54
13160403	40	9	22930556	42	2	40082209	14	30
13160601	40	11	22930705	42	4	40082211	18	14
13160858	40	1	22930804	42	16	40082212	14	44
13167556	42	1	22930903	42	15	40082213	20	66
13167903	42	8	22931000	42	14	40082214	20	67
13168000	42	9	22931109	42	13	40082215	2	29
13168109	42	10	22931307	42	7	40082216	2	35
13168208	42	11	22931406	42	5	40082217	2	23
13235304	2	6	22932800	40	4	40082218	20	60
16108508	12	27	22933006	40	12	40082219	48	4
16110405	14	36	22933105	40	5	40082220	2	1
16111403	32	25	23601057	44	1	40082221	2	2
16121006	20	57	25020009	6	4	40082222	52	8
16121006	32	2	25020207	6	3	40082223	56	1
16121907	20	68	25020306	6	6	40082224	56	2
16136806	8	6	25020405	6	7	40082225	56	3
16138109	8	11	25031907	8	15	40082229	2	17
16187007	38	16	25032103	8	17	40082230	18	40
16187908	6	15	25032202	8	18	40082231	14	2
16232209	18	5	32002255	16	51	40082232	14	5
17833658	8	22	32002255	44	17	40082233	14	8

NUMERICAL INDEX OF PARTS

PART NO	PAGE	REF NO.	PART NO	PAGE	REF NO.	PART NO	PAGE	REF NO.
40082234	14	11	40082343	44	5	B1628191B00	14	18
40082235	14	15	40082344	44	10	B8601WP10A0	40	28
40082236	14	16	40082345	44	7	B9102761000	40	19~21
40082237	14	13	40082347	44	14	B9110804000	40	19~21
40082238	14	38	40082348	44	12	BP400000000	4	18
40082239	14	31	40082349	44	9	BT0400251EB	8	23
40082240	16	53	40082455	44	13	BT0400251EB	46	11
40082241	18	1	40082455	50	1	BT0600401EB	8	24
40082244	54	5	40082456	52	1	BT0600401EB	48	13
40082245	52	2	40082514	8	13	BT0600402EA	18	10
40082247	6	19	40082515	8	21	BT0800501EB	8	25
40082250	6	1	40082516	2	38	BT1601001Z0	12	26
40082251	6	2	40082517	2	24	CM300200001	10	66
40082252	6	16	40083302	8	9	CM300200001	38	4
40082253	6	17	40083307	12	5	CM300200002	16	58
40082253	18	32	40083308	12	13	CM300200002	24	9
40082254	20	50	40083834	18	27	CM300200002	26	6
40082255	50	5	40083834	54	3	CM600100201	40	27
40082257	50	2	40083835	18	25	CS1501011TH	8	7
40082259	36	1	40083836	54	13	D2301M1YC0W	6	12
40082260	36	2	40083978	8	20	EA9500B0100	10	63
40082262	38	5	40084436	8	5	EA9500B0100	20	49
40082264	38	11	40085135	4	1	EA9500B0100	54	14
40082265	30	8	40085313	38	2	EA9500B0200	22	5
40082267	28	1	40085315	38	8	F10120030A0	12	25
40082272	30	1	40091283	10	67	F1017003000	12	20
40082273	18	16	40091284	10	68	G5014397000	6	5
40082275	8	8	40091285	10	69	G5020397000	46	1
40082276	8	19	40099620	12	1	G5080397000	22	2
40082277	14	22	40099627	12	6	G51003970A0	20	52
40082278	14	23	40099628	12	7	G51003970A0	32	5
40082279	8	16	40099629	12	8	G51023970A0	32	7
40082280	14	1	40099630	12	9	G5176136000	12	18
40082280	38	1	40099631	12	11	G54041720A0	8	26
40082335	44	3	40099632	12	14	G5811370000	2	39
40082336	44	2	40099633	12	15	G5813370000	2	41
40082337	44	4	40099634	12	16	G5909397000A	2	37
40082338	18	24	40099635	12	2	G5910397000	2	25
40082338	44	15	40099986	18	33	G5912254000	24	11
40082339	44	16	40099987	18	34	G5913397000	2	26
40082339	54	2	40099988	18	35	G5927397000	18	8
40082340	44	6	40123132	12	19	G59273970A0	18	7
40082341	24	2	B1210111000	48	3	G91011160A0	40	17
40082341	44	19	B150880400B	2	27	GAK01003B00	18	17
40082342	44	8	B1530804000	2	33	GAS11154000	10	52

NUMERICAL INDEX OF PARTS

PART NO	PAGE	REF NO.	PART NO	PAGE	REF NO.	PART NO	PAGE	REF NO.
GMC08039000	12	17	NM6050001SC	8	30	PJ301040501	46	6
GPK18020000	50	6	NM6050001SE	42	28	PJ301040506	10	57
GPK26002000	50	7	NM6050002SE	14	39	PJ301040506	32	16
GSS36020000	32	23	NM6060003SC	18	18	PJ301060504	32	34
HA005820000	30	7	NM6080001SC	8	31	PJ301060504	48	11
HA006230000	50	8	NM6080721SE	20	63	PJ301065103	32	24
HD002820010	18	23	NM6100001SC	14	26	PJ301085201	20	56
HD002820010	54	1	NM6120003SC	14	19	PJ301085201	32	3
HX00150000A	14	45	NM6160001SB	14	24	PJ303040005	18	42
HX00150000B	18	30	NM6160511SE	42	27	PJ303040005	32	29
HX00150000B	54	8	NM7060032SC	18	19	PJ304020301	18	2
HX00150000C	8	28	PA1004505A0	8	32	PJ304020301	32	46
HX00150000C	50	3	PA1004505A0	32	19	PJ304020301	54	10
HX00150000D	30	12	PA1503002A0	32	40	PJ304040504	8	36
HX00150000K	14	34	PA1503002A0	46	5	PJ304040504	32	18
HX00233000B	22	6	PA2002514A0	32	36	PJ304040508	32	44
HX00292000A	18	13	PA2002514A0	48	1	PJ304040508	46	9
HX003140000	18	28	PA200500100	8	33	PJ304060001	32	9
HX003140000	54	12	PA200500100	32	21	PJ304060501	10	58
J1043000A0A	40	19~21	PA900036000	32	42	PJ304060501	32	38
J1067000000	40	24	PA900036000	46	7	PJ304060501	46	13
J1071000000	40	18	PA900056000	32	43	PJ304060501	48	10
M6101471CA0	30	5·6	PA900056000	46	8	PJ304065102	32	8
MAT02106000	4	20	PB000010000	40	23	PJ304080001	8	37
MAT02111000	4	6	PC010523000	8	34	PJ304080001	32	12
MAT02502000	4	7	PC010523000	32	20	PJ304085102	10	62
MAT02503000	40	25	PC012406000	18	43	PJ304085102	32	6
MAT03603000A	4	21	PC012406000	32	28	PJ305020001	32	45
MAT03604000	4	4	PC012601000	22	1	PJ305020001	54	11
MAT0360500A	4	9	PC012601000	32	11	PJ305080001	32	22
MAT03606000	4	8	PC015114000	32	35	PJ305080002	10	53
MAT03607000	4	10	PC015114000	48	7	PJ305080002	32	4
MAT03608000	4	27	PC022801000	10	64	PJ308060002	32	27
MAT036090A0	4	5	PC022801000	32	13	PJ308060003	22	7
MAT03610000	4	3	PF070501000	32	39	PJ308060004	22	8
MAT04400000	4	19	PF070501000	46	10	PJ309005203	20	58
MAT81163T00	14	43	PJ015105001	8	35	PJ309005203	32	1
MDC270B1104	40	14	PJ020500001	4	28	PJ309080004	32	10
MML018900CA	40	15	PJ020500001	18	12	PJ309520001	40	22
MTJVM003500	26	5	PJ032054001	4	29	PV125109000	10	60
MTSP01250B0	26	4	PJ032054001	18	9	PV125109000	20	54
NM6030001SC	12	24	PJ046039003	18	36	PV130540000	10	56
NM6040001SC	8	29	PJ046039003	32	30	PV130540000	32	32
NM6040001SC	22	3	PJ230004200	18	4	PV130540000	48	9
NM6040002SE	42	24	PJ301040501	32	41	PV150536000	10	54

NUMERICAL INDEX OF PARTS

PART NO	PAGE	REF NO.	PART NO	PAGE	REF NO.	PART NO	PAGE	REF NO.
PV150536000	32	37	SL9082093SE	8	39	SS6110610TP	2	13
PV150536000	46	12	SL9082093SE	20	61	SS6111210SP	4	26
PX500003000	48	2	SM0050801SC	16	55	SS7060310SP	4	16
PX950001000	32	26	SM0051601SC	14	10	SS7060610SP	2	31
PX950005000	4	30	SM1030501SC	18	38	SS7080520SP	2	28
PX950005000	18	11	SM1030501SC	54	6	SS7080520SP	4	23
RE0600000K0	6	14	SM1030601SC	6	13	SS7090710SP	2	7
SK3271301SE	14	7	SM1031401SC	12	21	SS7090850SP	2	18
SK3412000SE	14	48	SM1041201SC	8	40	SS7110570SP	20	47
SK3412000SE	16	48	SM4040655SN	30	11	SS7110570SP	54	4
SK3483201SE	30	9	SM4041001SC	42	20	SS7110720SP	2	3
SK3552000SC	52	3	SM4041201SC	42	22	SS7110840SP	18	41
SL4030591SC	18	29	SM4041655SP	12	3	SS7151120SP	2	4
SL4030591SC	54	15	SM4042001SC	42	23	SS8660530TP	8	45
SL4040891SC	10	61	SM4050855SP	12	10	SS9111010SP	2	5
SL4040891SC	20	55	SM4051255SP	12	12	SS9151120CP	48	5
SL4040891SC	24	7	SM4051405SE	42	18	ST4041451SN	24	5
SL4040891SC	46	14	SM5030455SN	18	39	ST9053511SR	14	3
SL4040891SC	48	12	SM6030402TP	18	37	ST9053511SR	38	3
SL4040891SC	50	4	SM6030602TN	18	45	ST9053511SR	52	6
SL4040891SC	54	9	SM6040802TP	6	9	TA2050406R0	26	10
SL4041081SF	8	38	SM6050802TR	8	41	WP0250516SD	2	34
SL4041091SC	14	46	SM6051002TP	46	2	WP0250516SD	4	17
SL4041091SC	30	13	SM6051400SP	36	6	WP0320500SC	12	22
SL4042591SC	24	4	SM6051600SP	20	65	WP0320500SC	18	46
SL4043091SC	20	53	SM6054502TN	14	40	WP0410846SC	8	46
SL4051091SC	14	35	SM6061002TP	6	10	WP0430800SC	10	47
SL4051091SC	18	26	SM6061002TP	8	42	WP0430800SC	24	8
SL6031692TN	16	52	SM6061002TP	18	20	WP0430800SD	6	11
SL6040892TN	30	4	SM6061610SC	42	17	WP0430801SC	12	4
SL6051092TN	14	56	SM6062502TP	48	6	WP0430801SE	24	10
SL6051092TN	16	56	SM6081202TP	8	44	WP0450826SC	16	49
SL6051092TN	18	59	SM6083002TN	8	43	WP0450826SC	22	4
SL6051092TN	20	59	SM6084002TN	26	2	WP0450826SC	52	4
SL6051292TN	8	14	SM8030402TP	18	44	WP0480856SP	30	10
SL6051492TN	8	10	SS2060510SP	4	13	WP0501016SD	28	3
SL6051692TN	16	57	SS4110715SP	4	11	WP0502616SD	28	4
SL6052092TN	14	32	SS4110915SP	28	2	WP0550800SP	46	3
SL6053592TN	36	4	SS4120915SP	4	25	WP0551626SD	36	5
SL6053592TN	38	10	SS4150715SP	4	24	WP0551626SD	38	9
SL6061492TN	20	51	SS6060410TP	4	15	WP0561616SC	14	9
SL6062092TN	14	14	SS6060440TP	2	36	WP0641600SC	10	65
SL6062592TN	38	15	SS6080410SP	4	14	WP0641600SC	14	41
SL6082092TN	8	2	SS6090520SP	4	12	WP0641600SC	18	22
SL6084092TN	52	7	SS6090670TP	2	30	WP0641600SC	48	8

NUMERICAL INDEX OF PARTS

PART NO	PAGE	REF NO.
WP0641601SC	10	48
WP0720316RZ	6	18
WP0841600SE	14	37
WP0841601SC	8	49
WP0841601SC	10	49
WP0841601SC	26	3
WP0851846SC	8	27
WP0871602SE	20	62
WP1052000SC	14	27
WP1302501SC	14	20
WP1612616SE	42	25
WP1703001SC	14	25
WS0310002KN	12	23
WS0410002KN	10	50
WS0510002KN	14	42
WS0510002KN	42	29
WS0510002KP	46	4
WS0610002KN	10	51
WS0610002KN	18	21
WS1253010KN	14	21
WS1643202KR	42	26