

MODEL : AMS-224E/IP-410

List No : 1509-03

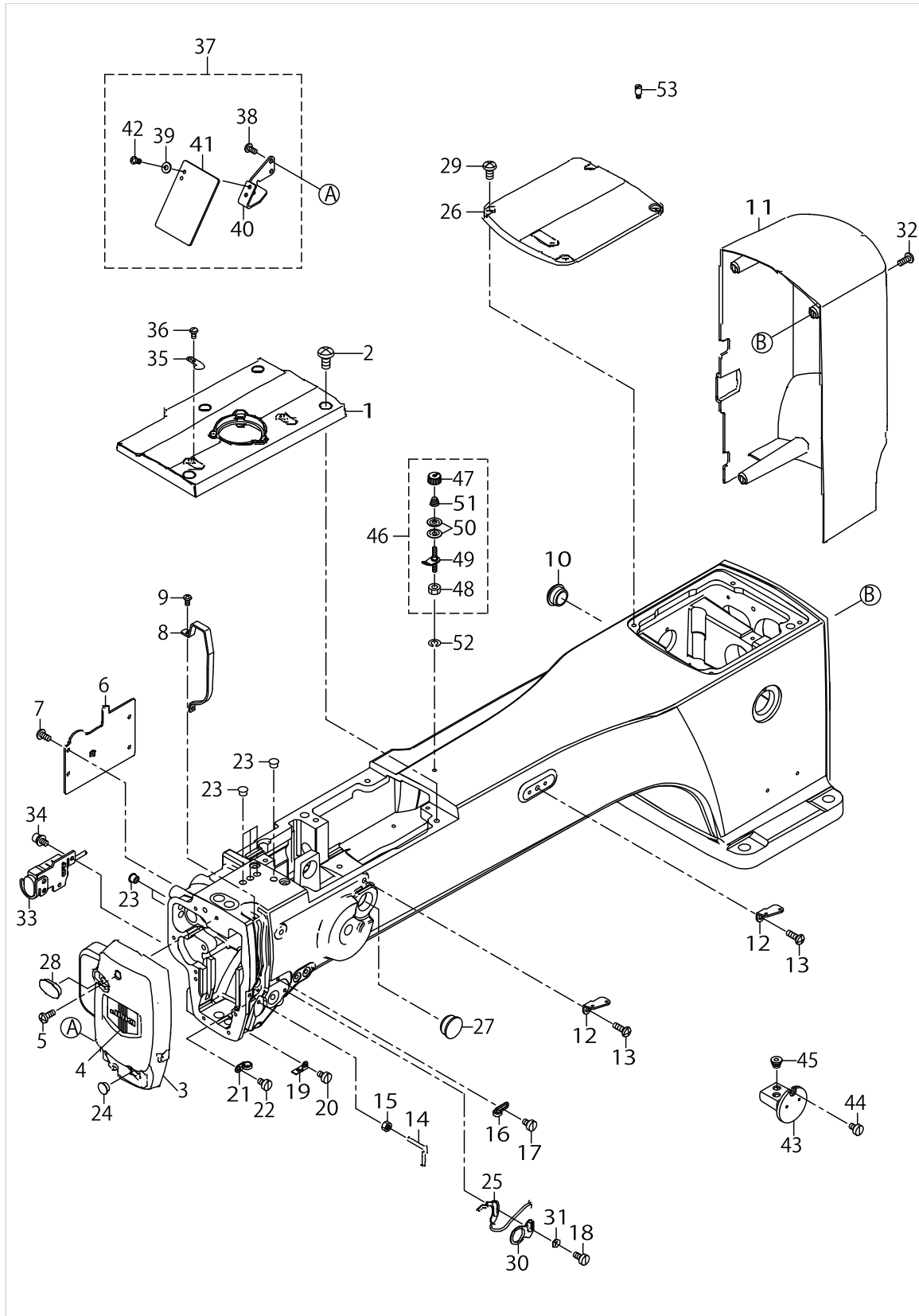
PARTS LIST

Published:05/12/2017

CONTENTS

FRAME & MISCELLANEOUS COVER COMPONENTS (1)	1
FRAME & MISCELLANEOUS COVER COMPONENTS (2)	5
FRAME & MISCELLANEOUS COVER COMPONENTS (3)(FOR 4530).....	7
FRAME & MISCELLANEOUS COVER COMPONENTS (4)(FOR 6030).....	13
MAIN SHAFT & NEEDLE BAR COMPONENTS	19
PRESSER MECHANISM & PRESSER VARIABLE COMPONENTS (1).....	23
PRESSER MECHANISM & PRESSER VARIABLE COMPONENTS (2).....	27
SHUTTLE DRIVER SHAFT COMPONENTS (1).....	31
SHUTTLE DRIVER SHAFT COMPONENTS (2).....	35
WIPER MECHANISM COMPONENTS	39
TENSION RELEASE & THREAD TENSION COMPONENTS.....	41
THREAD TRIMMER MECHANISM COMPONENTS.....	45
THREAD CLAMP COMPONENTS	49
X-Y COMPONENTS (1)(FOR 4530).....	51
X-Y COMPONENTS (2)(FOR 6030).....	57
X-Y COMPONENTS (3).....	63
CLOTH FEED MECHANISM COMPONENTS.....	65
PNEUMATIC COMPONENTS	69
THREAD STAND COMPONENTS.....	71
OPERATION PANEL COMPONENTS.....	73
CONTROL BOX COMPONENTS	77
WIRING DIAGRAM.....	81
TABLE COMPONENTS.....	85
PEDAL COMPONENTS.....	89
ACCESSORIE PART COMPONENTS.....	91
TYPE G EXCLUSIVE PARTS	93
SEPARATE STROKE TYPE EXCLUSIVE PARTS	95
LIST FOR INFORMATION OF CHANGE.....	97
HOW TO MAKE USE OF THIS PARTS LIST	98

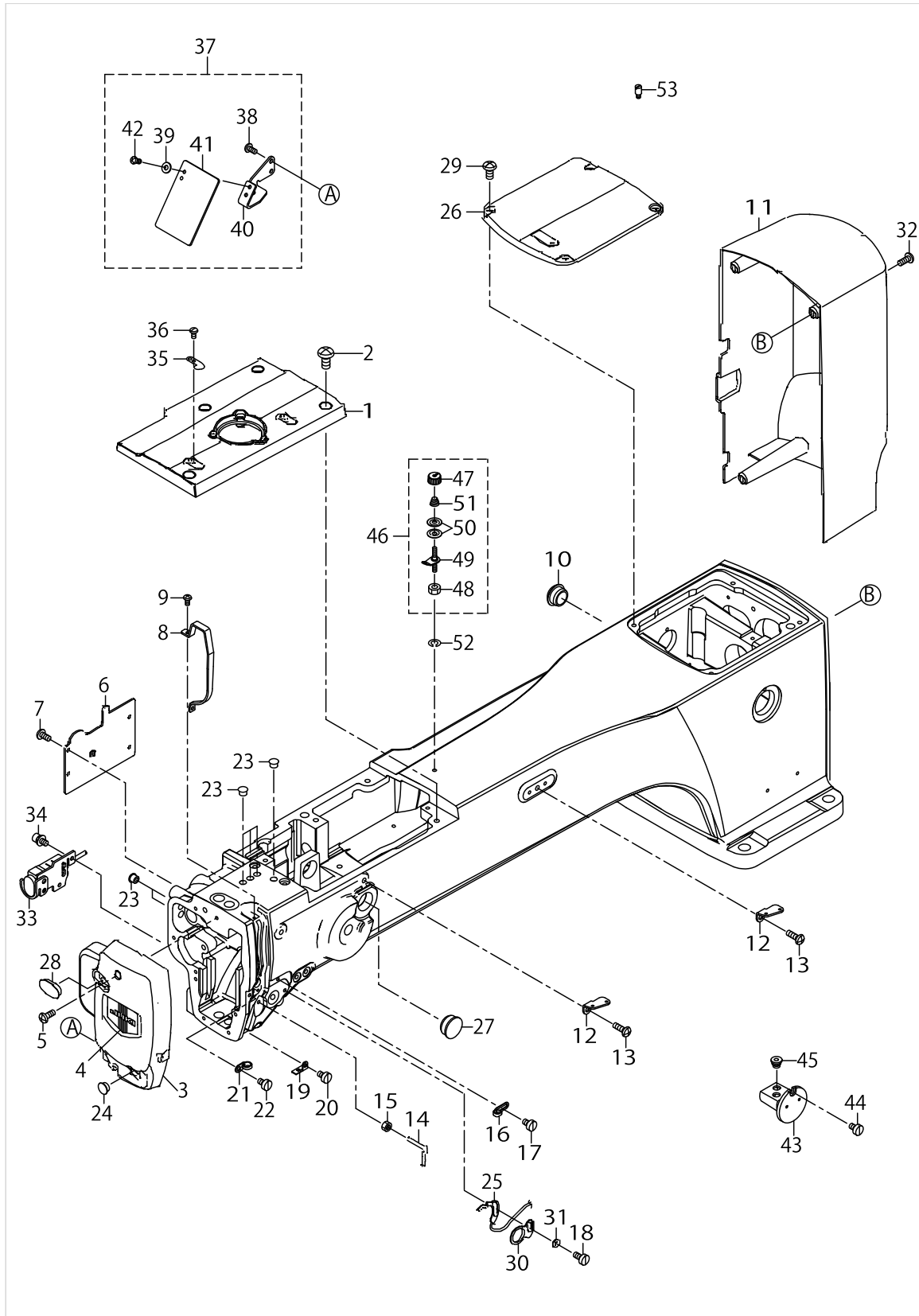
FRAME & MISCELLANEOUS COVER COMPONENTS (1)



FRAME & MISCELLANEOUS COVER COMPONENTS (1)

No.	Supply Code	Parts No.	Replacement	Parts name	Remarks	Choice	Step	Level	Cons	Qty	Rep. QTY
1		40032158		TOP_COVER_FRONT						1	
2		SM4061255SP		SCREW M6 L=12						4	
3		40026979		FACE_COVER						1	
4		22902506		FACE PLATE						1	
5		SM4041055SP		SCREW						2	
6		40024999		PRESSER_COVER						1	
7		SM4040855SP		SCREW						4	
8		40030828		THREAD_TAKE_UP_LEVER_COVER						1	
9		SM4030601SN		SCREW M3 X 6						2	
10		TA2100904R0		RUBBER PLUG						1	
11		40027971		MOTOR_COVER						1	
12		26211904		THREAD GUIDE PLATE						2	
13		SM4061255SP		SCREW M6 L=12						2	
14		40025414		L_SHAPED_THREAD_GUIDE						1	
15		NM6040000SN		NUT M4						1	
16		22920508		ARMTHREADGUIDEA						1	
17		SM6040650TP		SCREW						1	
18		SM6040860TP		SCREW M4 L=8						1	
19		B1129210000		FRAME THREAD GUIDE (B)						1	
20		SM6040650TP		SCREW						1	
21		13705108		TAKE-UP THREAD GUIDE B						1	
22		SM6040650TP		SCREW						1	
23		TA0850604R0		RUBBER PLUG						6	
24		TA1050504R0		RUBBER PLUG						1	
25		40073678		THB SENSOR CABLE ASM.						1	
26		40032159		TOP_COVER_REAR						1	
27		TA2351004R0		RUBBER PLUG						1	
28		40028877		FACE_COVER_CAP						1	
29		SM4051055SP		SCREW						4	
30		40028834		GUIDE_PLATE						1	
31		40028835		BUSHING						1	
32		SM4041055SP		SCREW						4	
33		40073676		STOP SW ASM						1	
34		SL6040892TN		BOLT						2	
35		10502300		THREAD CUTTER						1	
36		SM4030601SN		SCREW M3 X 6						1	
37		40006484		SAFETY PLATE COMPL.						1	
38		SM4040855SP		SCREW				*		2	
39		WP0450801SD		WASHER 4.5X10X0.8				*		2	
40		40051987		SAFETY PLATE BASE				*		1	
41	R	B3120372000	26037200	SAFETY PLATE				*		1	1.00
42		SM4040655SP		SCREW M4 L=6				*		2	
43		40006836		OIL TANK ASM.						2	
44		SM6040650TP		SCREW						2	
45		40006840		RUBBER BUSH						4	
46		14113468		BOBBIN THREAD TENSION ASM.						1	

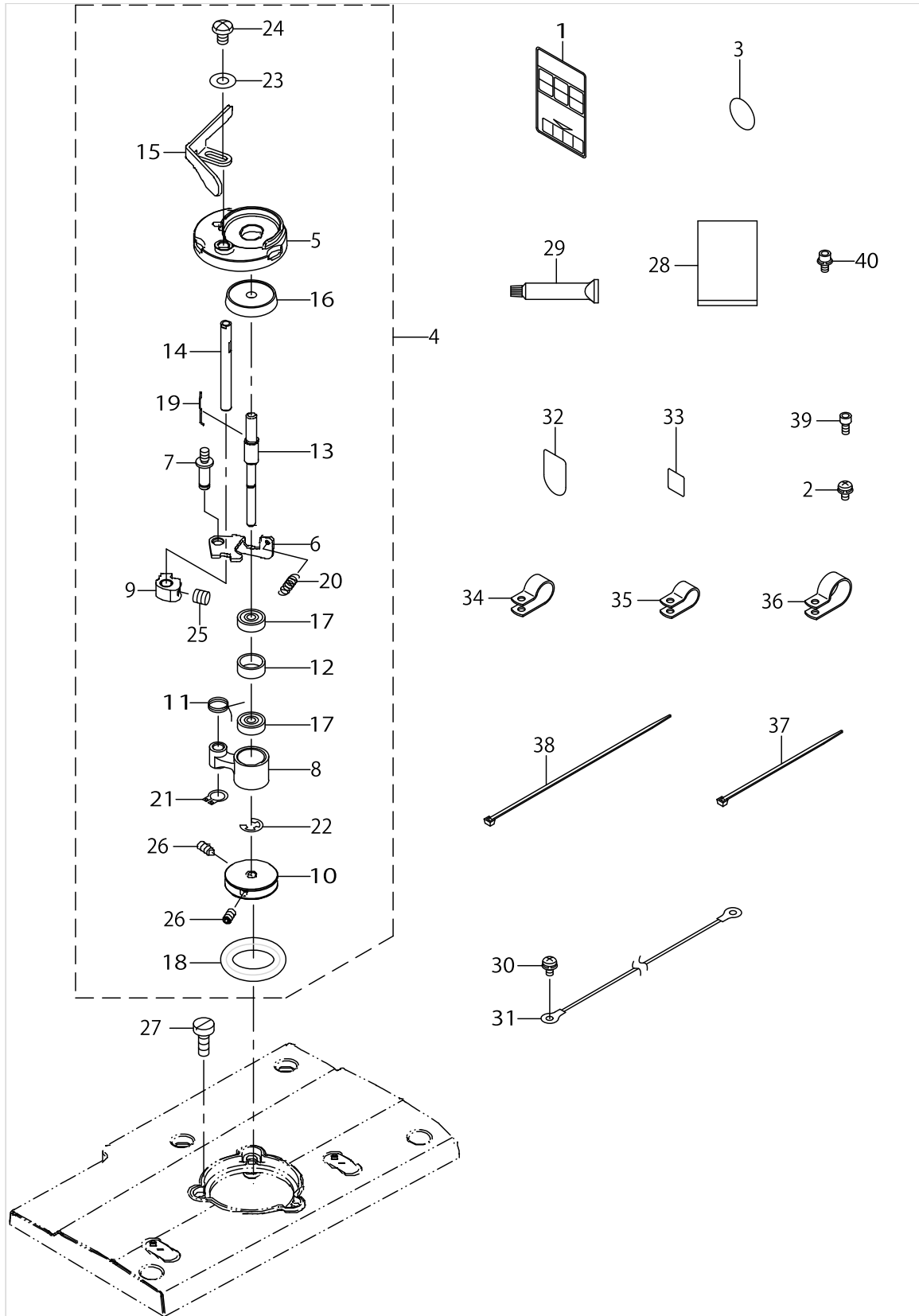
FRAME & MISCELLANEOUS COVER COMPONENTS (1)



FRAME & MISCELLANEOUS COVER COMPONENTS (1)

No.	Supply Code	Parts No.	Replacement	Parts name	Remarks	Choice	Step	Level	Cons	Qty	Rep. QTY
47		11072402		THREAD TENSION NUT				*		1	
48		NS6110310SP		NUT 11/64-40				*		1	
49		14113450		BOBBIN THREAD T- ENSION ROD ASM.				*		1	
50	R	B3126012000	22921506	THREAD TENSION DISK				*		2	1.00
51		D7133555B00		CONNECTING ROD SPRING				*		1	
52		WS0451040KP		SPRING WASHER 4.5X8.5X1						1	
53		B1114280000		PIN						1	

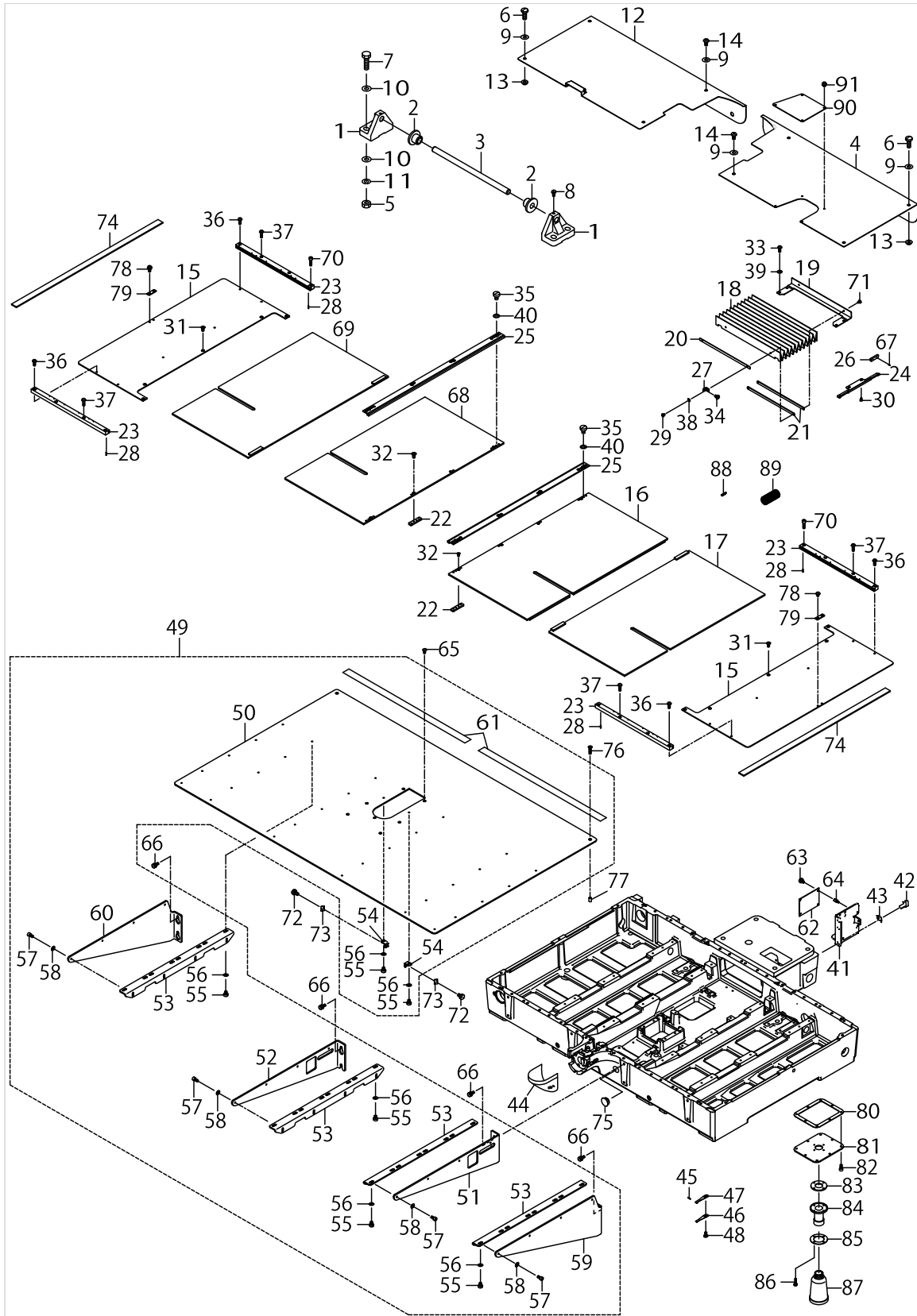
FRAME & MISCELLANEOUS COVER COMPONENTS (2)



FRAME & MISCELLANEOUS COVER COMPONENTS (2)

No.	Supply Code	Parts No.	Replacement	Parts name	Remarks	Choice	Step	Level	Cons	Qty	Rep. QTY
1		CM301200001		SAFETY LABEL_S						2	
2		SL4040891SC		SCREW M4 L=8						12	
3		22901805		GROUND MARK						1	
4		40028338		BOBBIN_WINDER_UNIT						1	
5	R	26260109	26260000	BTW_BASE				*		1	1.00
6		26260208		BTW_CAM_PLATE				*		1	
7		26260307		BTW_BASE_SHAFT				*		1	
8		26260406		BTW_SHAFT_BASE				*		1	
9		26260505		BTW_CAM_LEVER				*		1	
10		26260604		BTW_WHEEL				*		1	
11		26260703		BTW_TORSION_SPRING				*		1	
12	R	26260802	26260000	BTW_BEARING_SPACER				*		1	1.00
13		40023865		BTW_SHAFT				*		1	
14	D	40023866		BTW_LEVER_SHAFT				*		1	
15		40030829		BTW_LEVER				*		1	
16		26261206		BTW_SPACER				*		1	
17	R	26261305	26260000	BTW_BEARING				*		2	1.00
18		26261503		BTW_WHEEL_RUBBER				*	☆	1	
19		26261602		BOBBIN_SPRING				*	☆	1	
20		26261701		BTW_SPRING				*		1	
21		RC0560711KP		RETAINING RING				*		1	
22		RE0400000K0		E-RING 4				*		1	
23		WP0450826SC		WASHER 4.5X10X0.8				*		1	
24		SM5040655SN		SCREW				*		1	
25		SM8050502TP		SCREW M5 L=5				*		1	
26		SM8040802TP		SCREW M4X8				*		2	
27		SM6041150TP		SCREW						3	
28		40031336		FLAT_BAG						1	
29		40013640		JUKI_GREASE_B_TUBE					☆	1	
30		SL4040891SC		SCREW M4 L=8						1	
31		14115554		HEAD GROUND CABLE A ASM.						1	
32		CM100100001		OIL INJECTION PROHIBITION LABEL						1	
33		CM600100101		WEEE MARK LABEL S	FOR JE					1	
34		HX00150000F		CABLE CLIP						4	
35		HX00150000D		CABLE CLIP						10	
36		HX00150000H		CABLE CLIP						3	
37		EA9500B0100		CABLE BAND						3	
38		EA9500B0200		CABLE BAND 150						5	
39		SM6040802TP		SCREW M4X0.7 L=8						5	
40		SL6040892TN		BOLT						3	

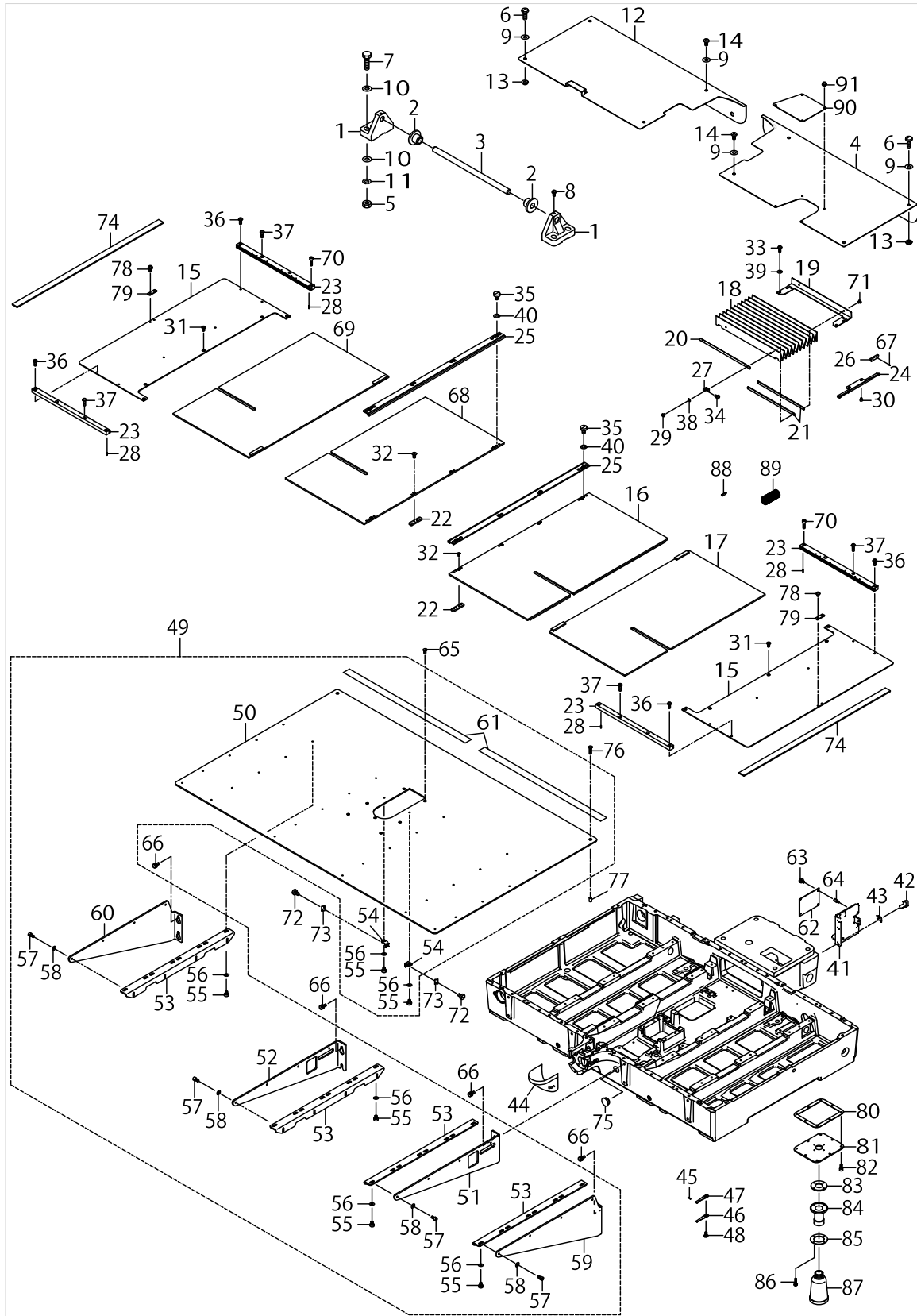
FRAME & MISCELLANEOUS COVER COMPONENTS (3)(FOR 4530)



FRAME & MISCELLANEOUS COVER COMPONENTS (3)(FOR 4530)

No.	Supply Code	Parts No.	Replacement	Parts name	Remarks	Choice	Step	Level	Cons	Qty	Rep. QTY
1		B1111220000A		BED HINGE						2	
2		B1115220000		RUBBER PAD A						2	
3		B1120223C00		HING SHAFT						1	
4		40090785		BED COVER RIGHT A						1	
5		NM6120011SF		NUT M12						4	
6		SM4055001SF		SCREW M5 L=50						4	
7		SM9124503SB		SCREW M12 L=45						4	
8		SS9151240SN		SCREW 15/64-28 L=11.5						2	
9		WP0561616SC		WASHER 5.6X16X1.6						8	
10		WP1302501SE		WASHER M12						8	
11		WS1253010KN		SPRING WASHER 12.5X21.5X3						4	
12		40072074		BED COVER LEFT						1	
13		NM3050610SF		NUT						4	
14		SM4051001SN		SCREW M5						4	
15		40072076		FEED BASE COVER 4530						2	
16		40072191		X_FEED_UPPER_CO- VER_R_ASM_4530						2	
17		40072184		X_FEED_LOWER_CO- VER_R_ASM_4530						2	
18		40072174		FEED COVER						1	
19		40072081		FEED COVER STAY						1	
20		40072079		FEED COVER FIX PLATE A						1	
21		40072080		FEED COVER FIX PLATE B						2	
22		40072195		FEED_COVER_RALL_ STOPPER_PLATE						8	
23		40072143		FEED BASE SUPPO- RT COVER RALL X						8	
24		B1182223C00		RAIL GUIDE						2	
25		40072078		FEED BASE SUPPO- RT COVER RALL Y						2	
26		B1193223C00		GUIDE RAIL CLICK						4	
27		B1157215000		MOVEMENT COVER PLATE						2	
28		PS0250062KH		SPRING PIN 2.5X6						8	
29		SM4030401SC		SCREW M3X0.5 L=4						2	
30		SM1040870TP		SCREW						4	
31		SM1040801SP		SCREW M4X0.7 L=8						10	
32		SM1030601SP		SCREW M3 L=6						8	
33		SM4041055SP		SCREW						4	
34		SM4040655SP		SCREW M4 L=6						2	
35		SM6040650TP		SCREW						8	
36		SM4041001SC		SCREW M4X0.7 L=10						4	
37		SM4041401SC		SCREW M4X0.7 L=14						12	
38		WP0330501SB		WASHER M3						2	
39		WP0450801SD		WASHER 4.5X10X0.8						4	
40		WP0450000SD		WASHER 4.5X8X0.5						8	
41		40024997		LIFTER_BASE						1	
42		SM6061202TP		SCREW M6 L=12						2	
43		WP0641601SC		WASHER						2	
44	R	13816855	40142674	CYLINDER ARM CAP						1	1.00

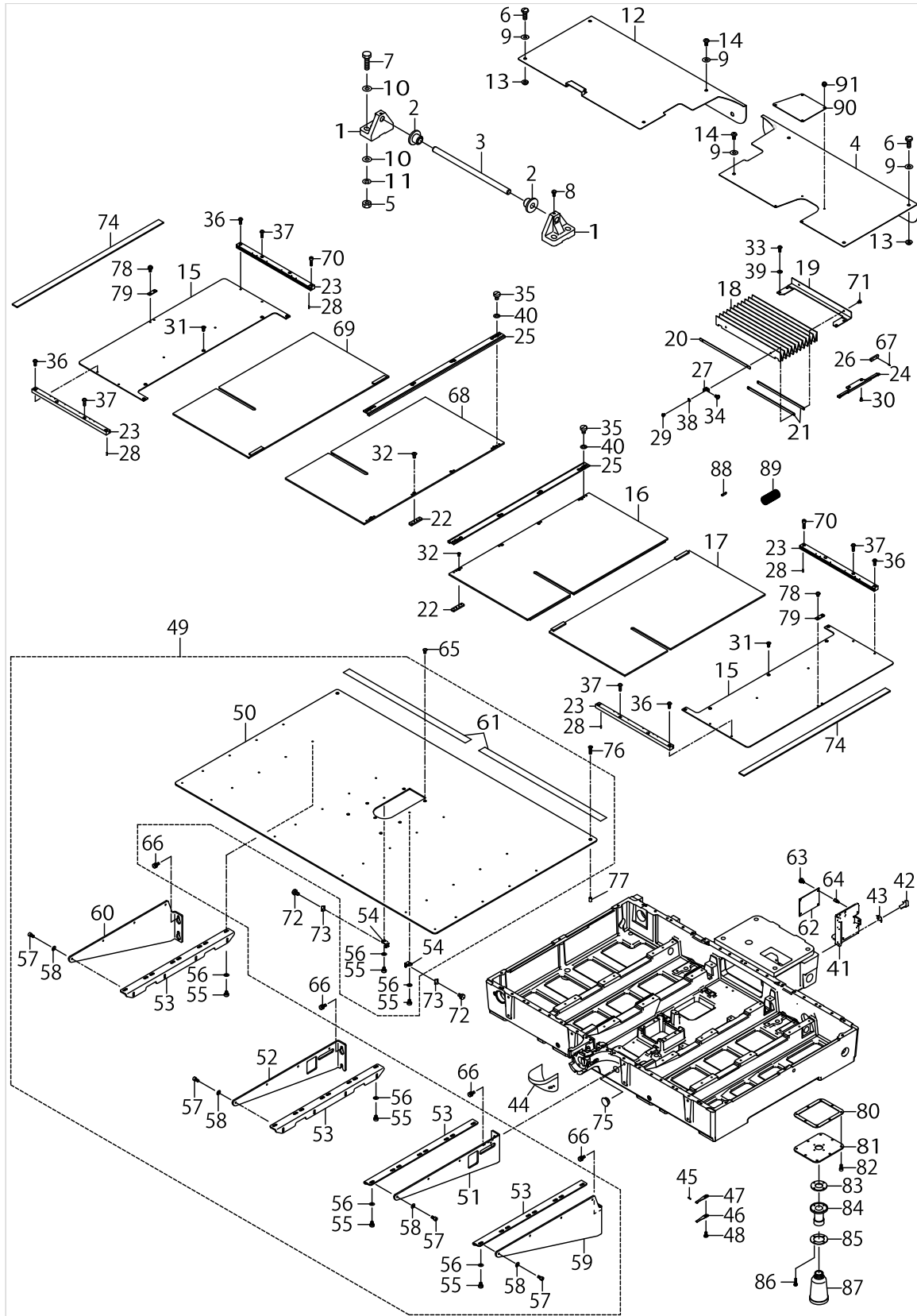
FRAME & MISCELLANEOUS COVER COMPONENTS (3)(FOR 4530)



FRAME & MISCELLANEOUS COVER COMPONENTS (3)(FOR 4530)

No.	Supply Code	Parts No.	Replacement	Parts name	Remarks	Choice	Step	Level	Cons	Qty	Rep. QTY
45		31262801		PIN						1	
46		26221200		HOOK COVER PRESSER SPRING B						1	
47		26221101		HOOK COVER PRESSER SPRING A						1	
48		SL4041091SC		SCREW M4 L=10						1	
49		40072244		NEEDLE PLATE SUPPORT COVER ASM						1	
50		40101763		SUS_NEEDLE_SUPPORT_PLATE_4530				*		1	
51		40072176		COVER_SUPPORT_A_RIGHT				*		2	
52		40072175		COVER_SUPPORT_A_LEFT				*		2	
53		40072179		COVER_SUPPORT_BRACKET				*		6	
54		40025014		COVER_SUPPORT_B				*		2	
55		SM6450610TP		SCREW				*		32	
56		WP0450801SP		WASHER				*		32	
57		SM6040802TP		SCREW M4X0.7 L=8				*		24	
58		WP0450801SP		WASHER				*		24	
59		40072178		COVER_SUPPORT_B_RIGHT				*		1	
60		40072177		COVER_SUPPORT_B_LEFT				*		1	
61		40051501		TAPE				*		2	
62		40040230		INT PCB ASM						1	
63		SL4040891SC		SCREW M4 L=8						4	
64		HX003390000		STUD						4	
65		SM1040870TP		SCREW						2	
66		SL9061600SF		SCREW						12	
67		PS0150065KP		SPRING PIN 1.5X6						8	
68		40072193		X_FEED_UPPER_COVER_L_ASM_4530						1	
69		40072186		X_FEED_LOWER_COVER_L_ASM_4530						1	
70		SM6041402TN		SCREW M4X0.7 L=14						2	
71		SM7030450SC		SCREW M3X0.5 L=4						2	
72		SM6050802TP		SCREW M5X0.8 L=8						2	
73		WP0520656SA		WASHER 5.2X9.5X0.6						2	
74		G611387500A		CLOTH PRESSER SPONGE A						1	
75		TA2100904R0		RUBBER PLUG						1	
76		SM1041601SC		SCREW M4X0.7 L=16						2	
77		12209706		COLLAR						2	
78		SL4041091SC		SCREW M4 L=10						4	
79		40072214		FEED COVER STOPPER						2	
80		40072213		OIL_PAN_GASKET						1	
81		40072212		OIL_PAN						1	
82		SM6040802TP		SCREW M4X0.7 L=8						8	
83		B8112220000		OIL SEAL						1	
84		B8202205000		OIL MANAGEMENT						1	
85		B8111220000		WASHER						1	
86		SL4031481SC		SCREW M3 X 14						4	
87		B9121012000		OIL CAN						1	
88		40082017		X_FEED_LOWER_COVER_STOPPER_G						4	

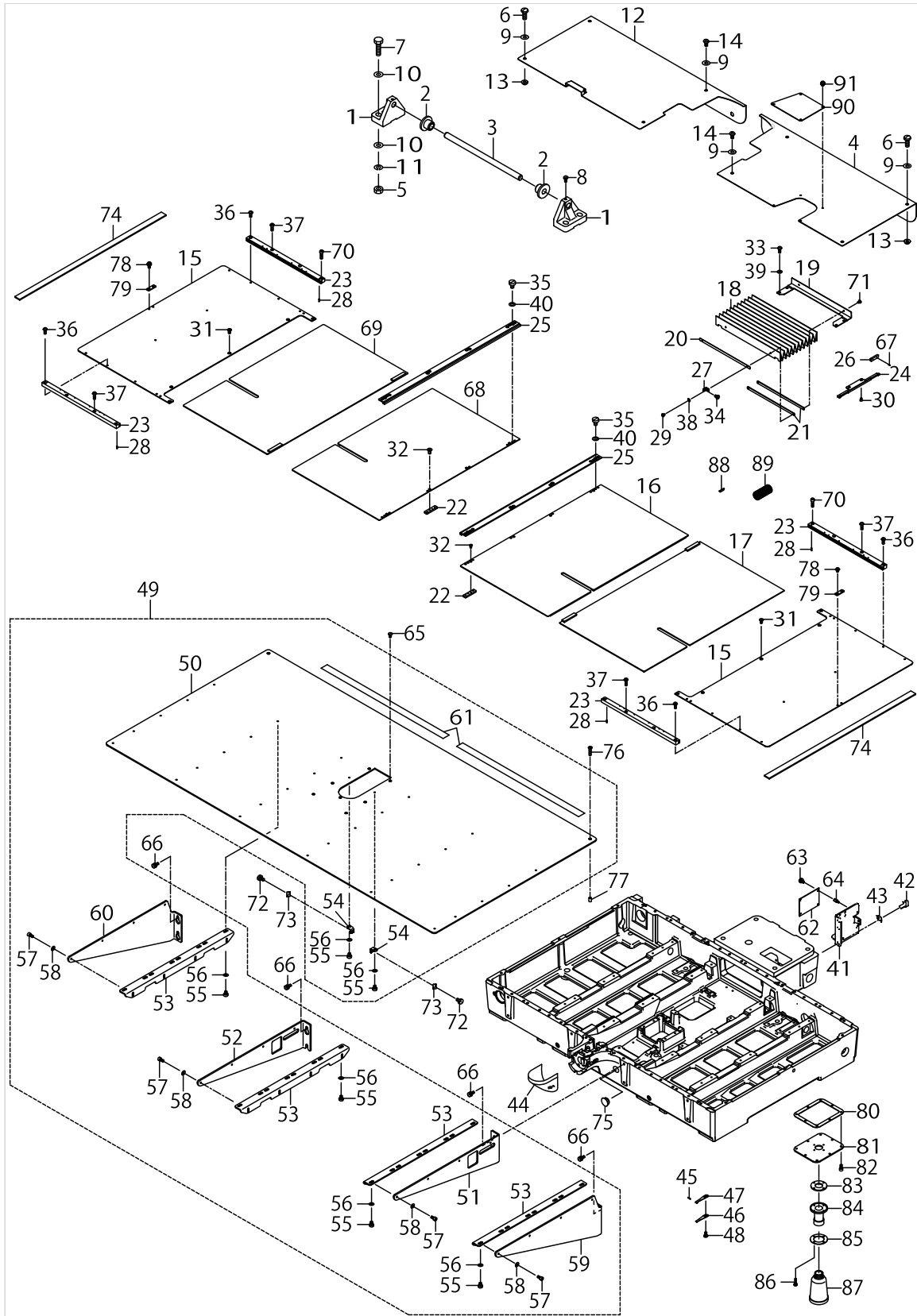
FRAME & MISCELLANEOUS COVER COMPONENTS (3)(FOR 4530)



FRAME & MISCELLANEOUS COVER COMPONENTS (3)(FOR 4530)

No.	Supply Code	Parts No.	Replacement	Parts name	Remarks	Choice	Step	Level	Cons	Qty	Rep. QTY
89		HX00307000D		CABLE PARTS						.05	
90		40090432		BED COVER RIGHT B						1	
91		SL4040691SC		SCREW M4 L=6						4	

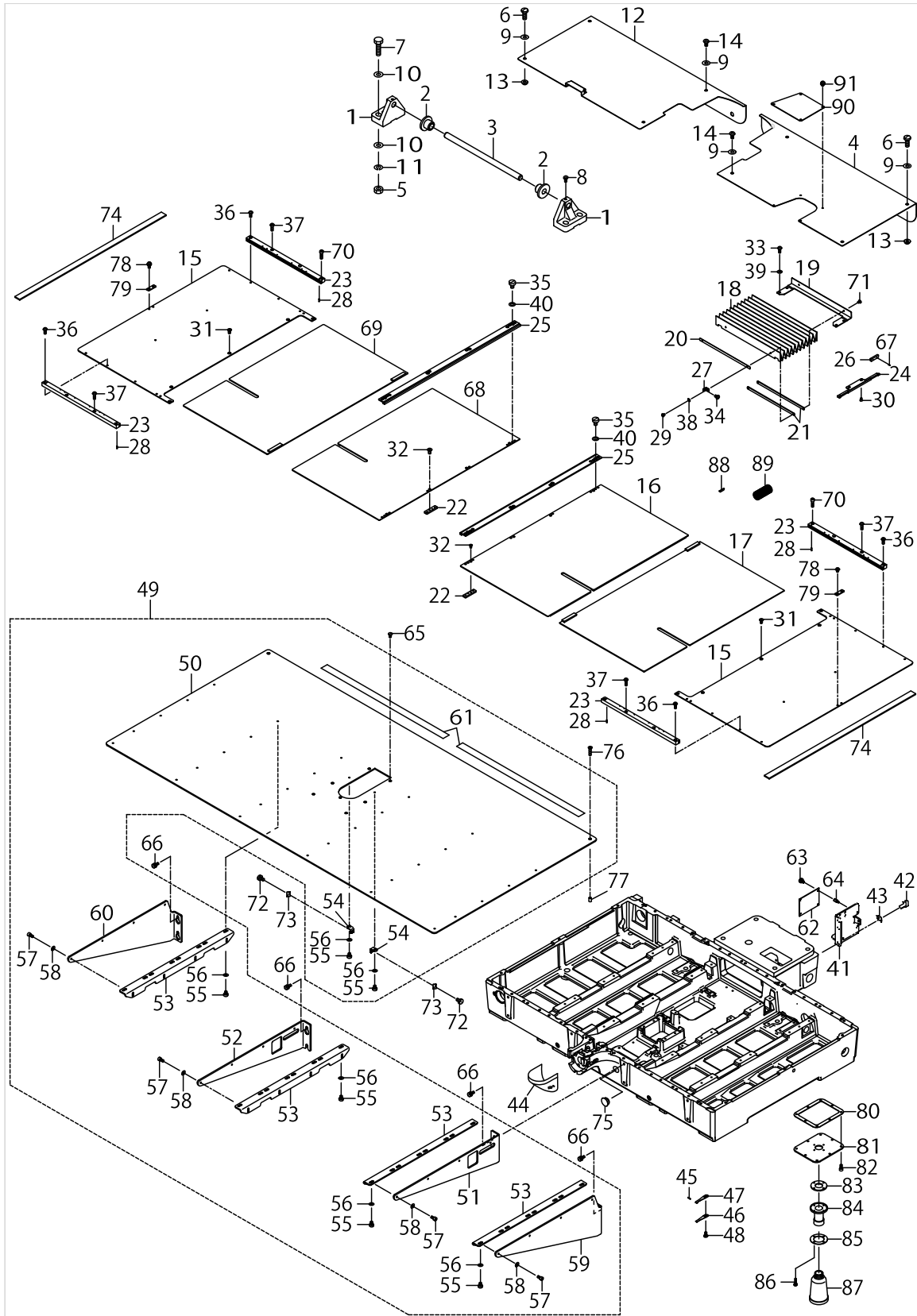
FRAME & MISCELLANEOUS COVER COMPONENTS (4)(FOR 6030)



FRAME & MISCELLANEOUS COVER COMPONENTS (4)(FOR 6030)

No.	Supply Code	Parts No.	Replacement	Parts name	Remarks	Choice	Step	Level	Cons	Qty	Rep. QTY
1		B1111220000A		BED HINGE						2	
2		B1115220000		RUBBER PAD A						2	
3		B1120223C00		HING SHAFT						1	
4		40090785		BED COVER RIGHT A						1	
5		NM6120011SF		NUT M12						4	
6		SM4055001SF		SCREW M5 L=50						4	
7		SM9124503SB		SCREW M12 L=45						4	
8		SS9151240SN		SCREW 15/64-28 L=11.5						2	
9		WP0561616SC		WASHER 5.6X16X1.6						8	
10		WP1302501SE		WASHER M12						8	
11		WS1253010KN		SPRING WASHER 12.5X21.5X3						4	
12		40072074		BED COVER LEFT						1	
13		NM3050610SF		NUT						4	
14		SM4051001SN		SCREW M5						4	
15		40072075		FEED BASE COVER 6030						2	
16		40072187		X_FEED_UPPER_CO- VER_R_ASM_6030						2	
17		40072180		X_FEED_LOWER_CO- VER_R_ASM_6030						2	
18		40072174		FEED COVER						1	
19		40072081		FEED COVER STAY						1	
20		40072079		FEED COVER FIX PLATE A						1	
21		40072080		FEED COVER FIX PLATE B						2	
22		40072195		FEED_COVER_RALL_ STOPPER_PLATE						8	
23		40072143		FEED BASE SUPPO- RT COVER RALL X						10	
24		B1182223C00		RAIL GUIDE						2	
25		40072078		FEED BASE SUPPO- RT COVER RALL Y						2	
26		B1193223C00		GUIDE RAIL CLICK						4	
27		B1157215000		MOVEMENT COVER PLATE						2	
28		PS0250062KH		SPRING PIN 2.5X6						8	
29		SM4030401SC		SCREW M3X0.5 L=4						2	
30		SM1040870TP		SCREW						4	
31		SM1040801SP		SCREW M4X0.7 L=8						10	
32		SM1030601SP		SCREW M3 L=6						8	
33		SM4041055SP		SCREW						4	
34		SM4040655SP		SCREW M4 L=6						2	
35		SM6040650TP		SCREW						8	
36		SM4041001SC		SCREW M4X0.7 L=10						4	
37		SM4041401SC		SCREW M4X0.7 L=14						12	
38		WP0330501SB		WASHER M3						2	
39		WP0450801SD		WASHER 4.5X10X0.8						4	
40		WP0450000SD		WASHER 4.5X8X0.5						8	
41		40024997		LIFTER_BASE						1	
42		SM6061202TP		SCREW M6 L=12						2	
43		WP0641601SC		WASHER						2	
44	R	13816855	40142674	CYLINDER ARM CAP						1	1.00

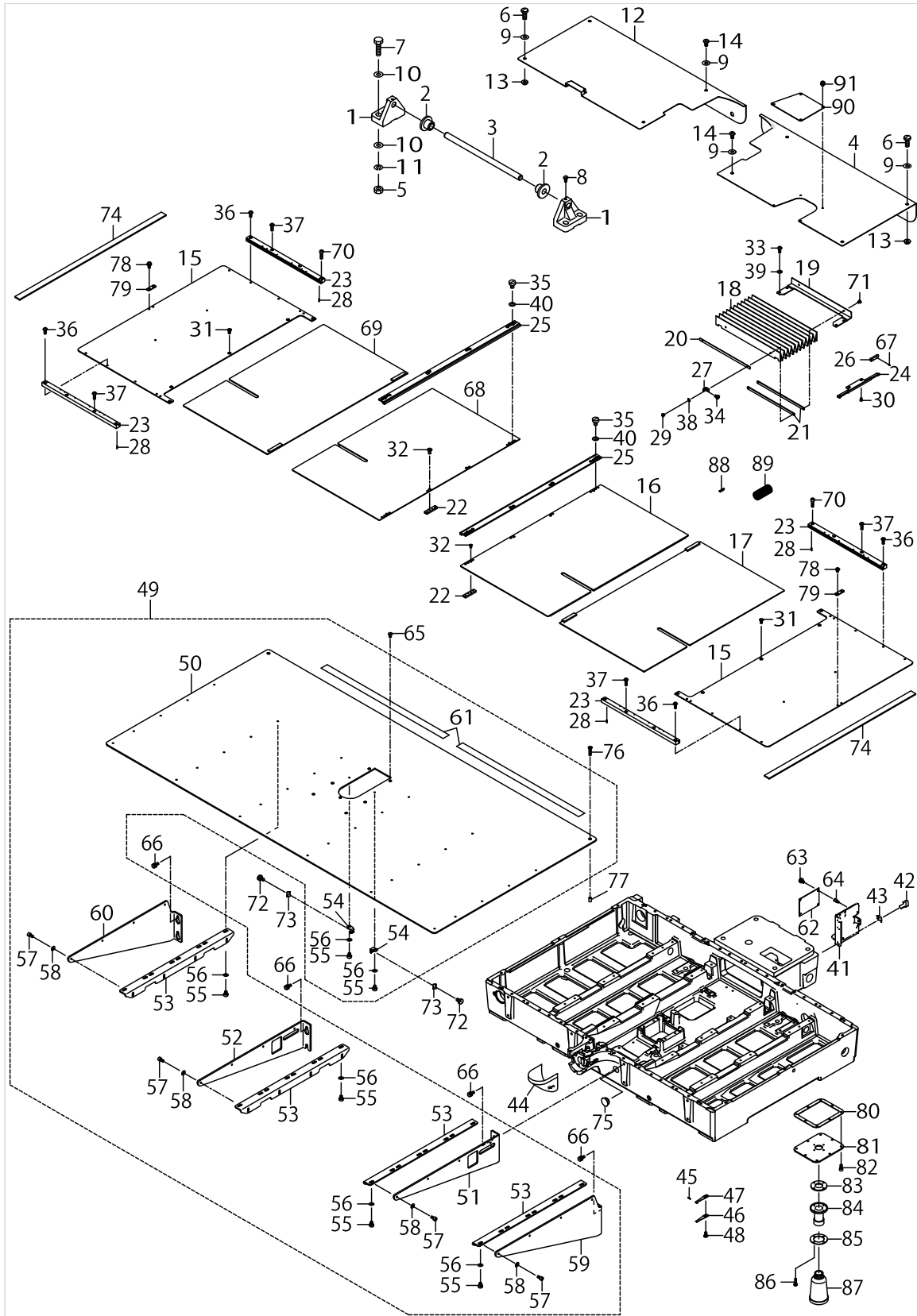
FRAME & MISCELLANEOUS COVER COMPONENTS (4)(FOR 6030)



FRAME & MISCELLANEOUS COVER COMPONENTS (4)(FOR 6030)

No.	Supply Code	Parts No.	Replacement	Parts name	Remarks	Choice	Step	Level	Cons	Qty	Rep. QTY
45		31262801		PIN						1	
46		26221200		HOOK COVER PRESSER SPRING B						1	
47		26221101		HOOK COVER PRESSER SPRING A						1	
48		SL4041091SC		SCREW M4 L=10						1	
49		40072245		NEEDLE PLATE SUPPORT COVER ASM						1	
50		40101764		SUS_NEEDLE_SUPPORT_PLATE_6030				*		1	
51		40072176		COVER_SUPPORT_A_RIGHT				*		2	
52		40072175		COVER_SUPPORT_A_LEFT				*		2	
53		40072179		COVER_SUPPORT_BRACKET				*		6	
54		40025014		COVER_SUPPORT_B				*		2	
55		SM6450610TP		SCREW				*		32	
56		WP0450801SP		WASHER				*		32	
57		SM6040802TP		SCREW M4X0.7 L=8				*		24	
58		WP0450801SP		WASHER				*		24	
59		40072178		COVER_SUPPORT_B_RIGHT				*		1	
60		40072177		COVER_SUPPORT_B_LEFT				*		1	
61		40051501		TAPE				*		2	
62		40040230		INT PCB ASM						1	
63		SL4040891SC		SCREW M4 L=8						4	
64		HX003390000		STUD						4	
65		SM1040870TP		SCREW						2	
66		SL9061600SF		SCREW						12	
67		PS0150065KP		SPRING PIN 1.5X6						8	
68		40072189		X_FEED_UPPER_COVER_L_ASM_6030						1	
69		40072183		X_FEED_LOWER_COVER_L_ASM_6030						1	
70		SM6041402TN		SCREW M4X0.7 L=14						2	
71		SM7030450SC		SCREW M3X0.5 L=4						2	
72		SM6050802TP		SCREW M5X0.8 L=8						2	
73		WP0520656SA		WASHER 5.2X9.5X0.6						2	
74		G611387500A		CLOTH PRESSER SPONGE A						1	
75		TA2100904R0		RUBBER PLUG						1	
76		SM1041801SN		SCREW M4X0.7 L=18						2	
77		12209706		COLLAR						2	
78		SL4041091SC		SCREW M4 L=10						4	
79		40072214		FEED COVER STOPPER						2	
80		40072213		OIL_PAN_GASKET						1	
81		40072212		OIL_PAN						1	
82		SM6040802TP		SCREW M4X0.7 L=8						8	
83		B8112220000		OIL SEAL						1	
84		B8202205000		OIL MANAGEMENT						1	
85		B8111220000		WASHER						1	
86		SL4031481SC		SCREW M3 X 14						4	
87		B9121012000		OIL CAN						1	
88		40082017		X_FEED_LOWER_COVER_STOPPER_G						4	

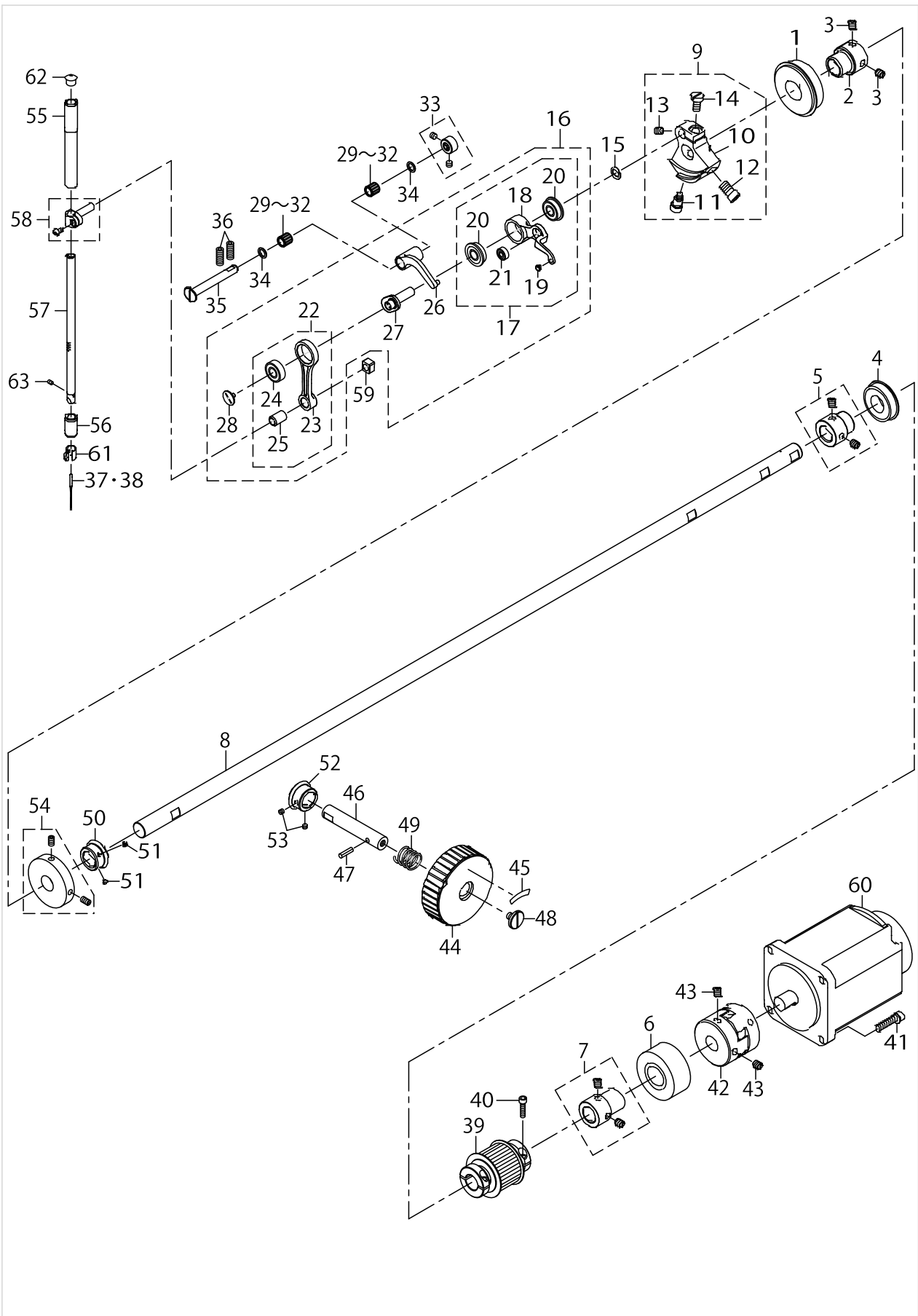
FRAME & MISCELLANEOUS COVER COMPONENTS (4)(FOR 6030)



FRAME & MISCELLANEOUS COVER COMPONENTS (4)(FOR 6030)

No.	Supply Code	Parts No.	Replacement	Parts name	Remarks	Choice	Step	Level	Cons	Qty	Rep. QTY
89		HX00307000D		CABLE PARTS						.05	
90		40090432		BED COVER RIGHT B						1	
91		SL4040691SC		SCREW M4 L=6						4	

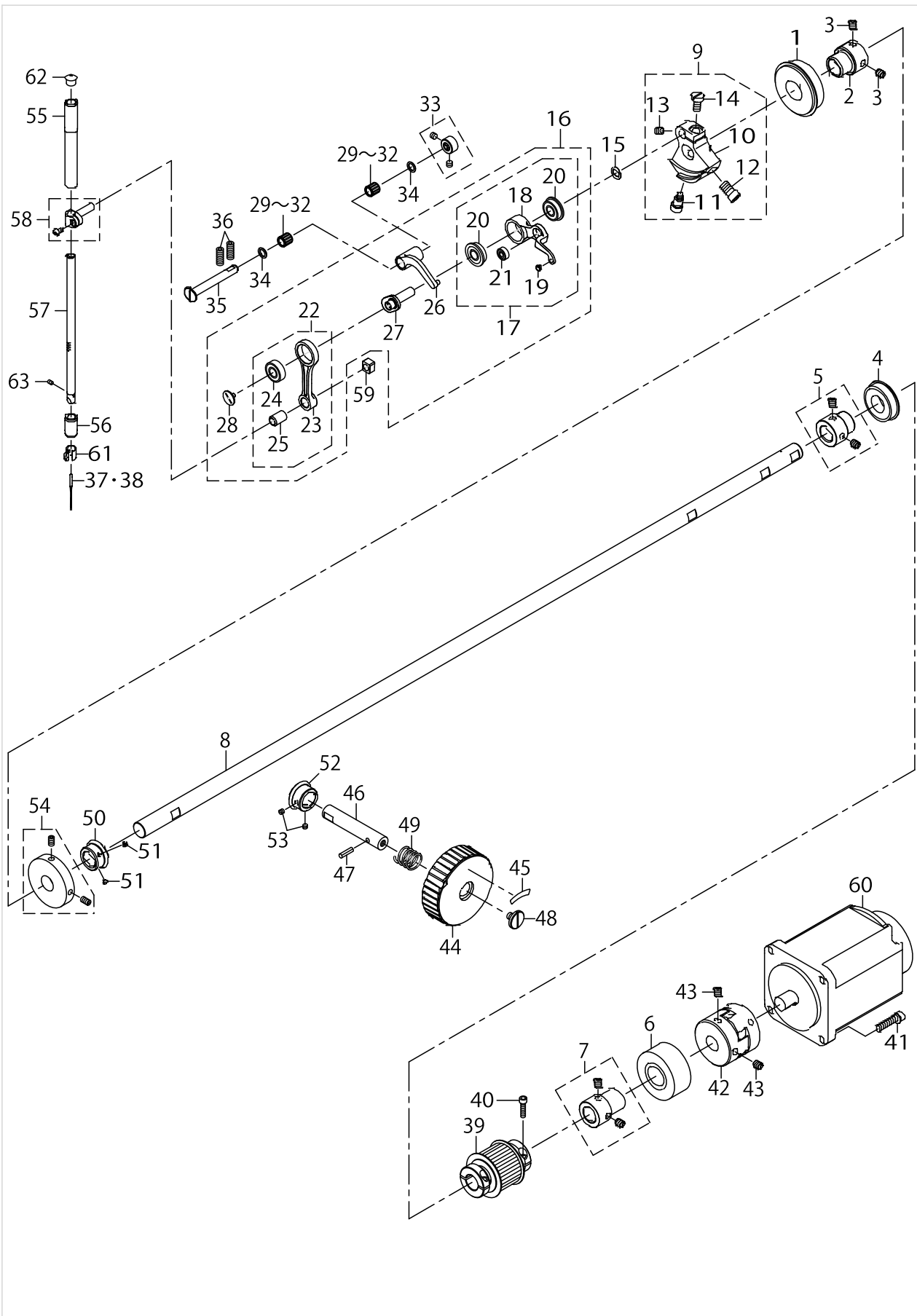
MAIN SHAFT & NEEDLE BAR COMPONENTS



MAIN SHAFT & NEEDLE BAR COMPONENTS

No.	Supply Code	Parts No.	Replacement	Parts name	Remarks	Choice	Step	Level	Cons	Qty	Rep. QTY
1		SB120000900		BEARING						1	
2		23604200		MAIN SHAFT BEARING SUPPORT						1	
3		SM8060812TP		SCREW M6 L=8						2	
4		SB120001800		BEARING						1	
5		40010415		BEARING_BUSH_A_ASM.						1	
6		SB120001700		BEARING						1	
7		40010418		BEARING_BUSH_B_ASM.						1	
8		40072086		MAIN SHAFT						1	
9		40010422		COUNTER_WEIGHT_ASM.						1	
10	R	40010423	40010422	COUNTER_WEIGHT				*		1	1.00
11		40010424		COUNTER_WEIGHT_SCREW_A				*		1	
12		40010425		COUNTER_WEIGHT_SCREW_B				*		1	
13		40010426		COUNTER_WEIGHT_SCREW_C				*		1	
14		40010427		COUNTER_WEIGHT_SCREW_D				*		1	
15		WP0820516SP		WASHER 11.6X8.2X0.6						1	
16	D	40006529		THREAD_TAKE_UP_COMPL.						1	
17	R	40006530	40006529	THREAD_TAKE_UP_LEVER_ASM.				*		1	1.00
18	R	40006531	40006529	THREAD_TAKE_UP_LEVER				*		1	1.00
19		B1908505000		THREAD PASS BUSH				*		1	
20		SB108002200		BEARING				*		2	
21		SB104001600		BEARING				*		1	
22		40006534		NEEDLE_BAR_CRANK_ROD_ASM.				*		1	
23	R	40006535	40006534	NEEDLE_BAR_CRANK_ROD				*		1	1.00
24		SB108002300		BEARING				*		1	
25	R	22891006	22890958	NEEDLE BAR CRANK ROD BUSH		A	DDL-5700N	*		1	1.00
25	R	22891006	23622251	NEEDLE BAR CRANK ROD BUSH		B	DDL-9000,- DP-2100,DLN-9010	*		1	1.00
25	R	22891006	40078106	NEEDLE BAR CRANK ROD BUSH		C	AMS- /IP-- 420,AMS-220EN	*		1	1.00
25	R	22891006	40006534	NEEDLE BAR CRANK ROD BUSH		D	LK- ,AMS-- /IP-410,A- MS-210E,AB-1351	*		1	1.00
26		40006532		THREAD_TAKE_UP_CRANK				*		1	
27	R	40006537	40006529	NEEDLE_ROD_CRANK				*		1	1.00
28		B1903552000		LEFT SCREW				*		1	
29		SB30700020A		BEARING	SELECTIVE PARTS					2	
30		SB30700020B		BEARING	SELECTIVE PARTS					2	
31		SB30700020C		BEARING	SELECTIVE PARTS					2	
32		SB30700020D		BEARING	SELECTIVE PARTS					2	
33		40010434		THRUST_COLLAR_ASM.						1	
34		22891204		BEARING SUPPORT						2	
35		40011902		THREAD_TAKE_UP_CRANK_SHAFT						1	
36		SM8061612TP		SCREW M6X16						2	
37		MDP170B1800		NEEDLE DPX17 #18	TYPE H(FOR ST)				☆	1	
38		MC372001100		NEEDLE 135X17 #110	TYPE H(FOR JE)				☆	1	
39		40072233		SPROCKET_ASM						1	
40		SM6041602TP		SCREW M4X0.7 L=16						4	
41		SL6052592TN		BOLT						4	

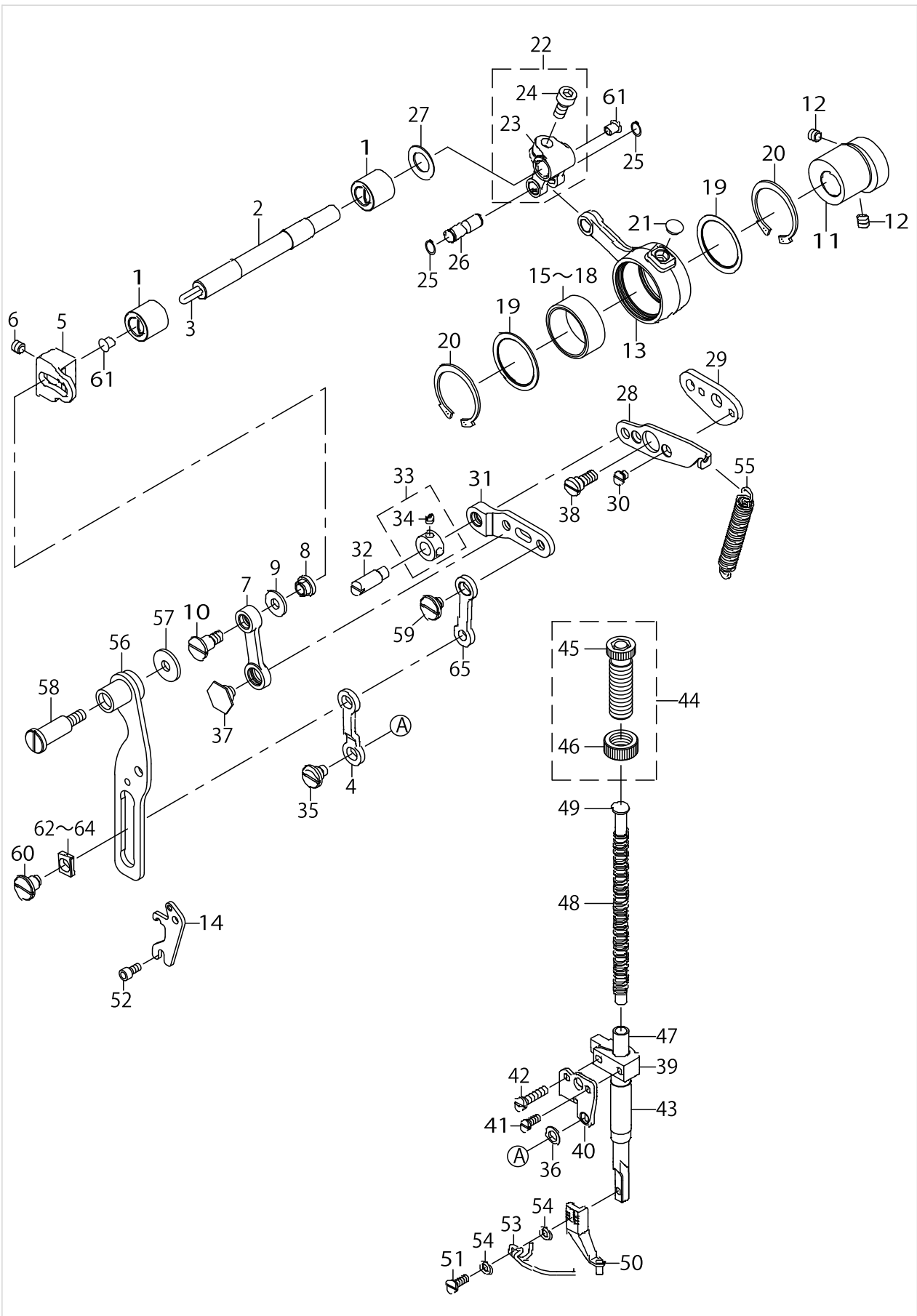
MAIN SHAFT & NEEDLE BAR COMPONENTS



MAIN SHAFT & NEEDLE BAR COMPONENTS

No.	Supply Code	Parts No.	Replacement	Parts name	Remarks	Choice	Step	Level	Cons	Qty	Rep. QTY
42	R	23604309	40051473	COUPLING						1	1.00
43		SM8060812TP		SCREW M6 L=8						4	
44		B1212210D00		PULLEY						1	
45		B1144210000		REVOLVING DIRECTION LABEL						1	
46		40044053		PULLEY SHAFT						1	
47		PS0400142KH		SPRING PIN 4X14						1	
48		A1230500000A		HANDWHEEL SETSCREW						1	
49		GAF01007000		SPRING						1	
50		40006515		GEAR_A						1	
51		SM8040310SS		SCREW M4 L=3						2	
52		40006516		GEAR_B						1	
53		SM8040310SS		SCREW M4 L=3						2	
54		40010533		BTW_DRIVING_WHEEL_ASM.						1	
55		40010441		NEEDLE_ROD_METAL						1	
56		40010442		NEEDLE_ROD_LOWER_METAL						1	
57		40026882		NEEDLE_BAR						1	
58		B14115520A0		NEEDLE BAR CONNECTING ASM.						1	
59		B1414555000		SLIDE BLOCK						1	
60		40052937		550W_SERVO_MOTOR						1	
61		40026884		NEEDLE_BAR_SHREAD_GUIDE_H	TYPE H					1	
62		22901409		NEEDLE BAR UPPER BUSH CAP						1	
63		SM8030412TP		SCREW						1	

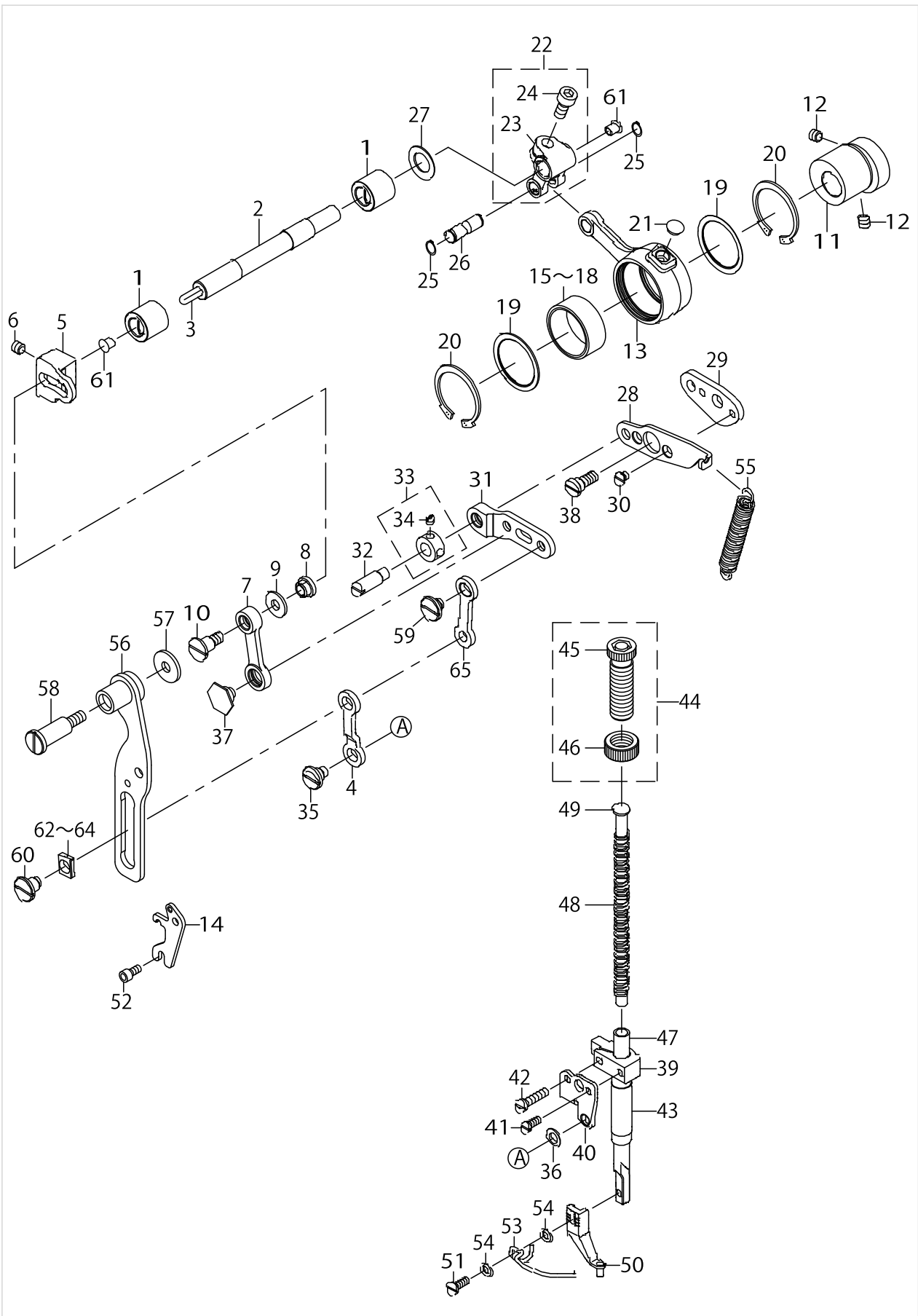
PRESSER MECHANISM & PRESSER VARIABLE COMPONENTS (1)



PRESSER MECHANISM & PRESSER VARIABLE COMPONENTS (1)

No.	Supply Code	Parts No.	Replacement	Parts name	Remarks	Choice	Step	Level	Cons	Qty	Rep. QTY
1		40025431		BUSHING						2	
2		40025427		INTERMEDIATE_PRESSER_SHAFT						1	
3		CQ303000000		OIL WICK						.18	
4		40030617		INTERMEDIATE_PRESSER_LINK_D						1	
5		40025012		ADJUSTING_ARM						1	
6		SM8060812TP		SCREW M6 L=8						1	
7		40068835		INTERMEDIATE_PRESSURE_LINK						1	
8		40025415		ADJUSTING_NUT						1	
9		WP0611626SP		WASHER 15X6X1.6						1	
10		SD0800746TP		SHOULDER SCREW						1	
11		40025428		ECCENTRIC_CAM						1	
12		SM8060812TP		SCREW M6 L=8						2	
13		40025011		CRANK_CONNECTING_ROD						1	
14		40068833		POSITIONING_LINK_SPRING_HOOK						1	
15		B1636581A00		NEEDLE BEARING	SELECTIVE PARTS					1	
16		B1636581B00		NEEDLE BEARING B	SELECTIVE PARTS					1	
17		B1636581C00		NEEDLE BEARING	SELECTIVE PARTS					1	
18		B1636581D00		NEEDLE BEARING	SELECTIVE PARTS					1	
19		40012965		BEARING_SUPPORT_PLATE						2	
20		RC3781518KP		RETAINING RING						2	
21		TA0750404R0		PLUG D=7.5 L=3.5						1	
22		13122452		FEED BRANCH CRANK ASM.						1	
23		13122403		FEED BRANCH CRANK				*		1	
24		SM6061402TP		SCREW M6 L=14				*		1	
25		RC0650811KP		RETAINING RING						2	
26		40025429		ROD_CONNECTING_SHAFT						1	
27		WP1221016SP		WASHER						1	
28		40068834		POSITIONING_LINK						1	
29		40024988		POSITIONING_LINK_B						1	
30		SS1110640TP		SCREW 11/64-40 L= 5.5						2	
31		40030620		INTERMEDIATE_PRESSER_LINK_B						1	
32		B1408180000		HINGE SCREW						1	
33		CS079073ASH		THRUST COLLAR ASM.						1	
34		SS8110410TP		SCREW 11/64-40 L= 3.5				*		2	
35		SD0800386TP		SHOULDER SCREW D=8 H=3.75						1	
36		40029419		LINK_CONNECTING_PLATE_WASHER						1	
37		SD1000506TP		SHOULDER SCREW D=10 H=4.95						1	
38		SD0800408TP		SHOULDER SCREW						1	
39		23610108		PRESSER BAR GUIDE BRACKET						1	
40		40024991		LINK_CONNECTING_PLATE						1	
41		SS6090910SP		SCREW 9/64-40 L=9						1	
42		SS7111810TP		SCREW 11/64-40 L=18						1	
43		40032798		PRESSER_BUSHING						1	
44		22907554		PRESSER SPRING REG NUT ASM.						1	
45	R	22907505	22907554	PRESSER SPRING REGULATOR				*		1	1.00

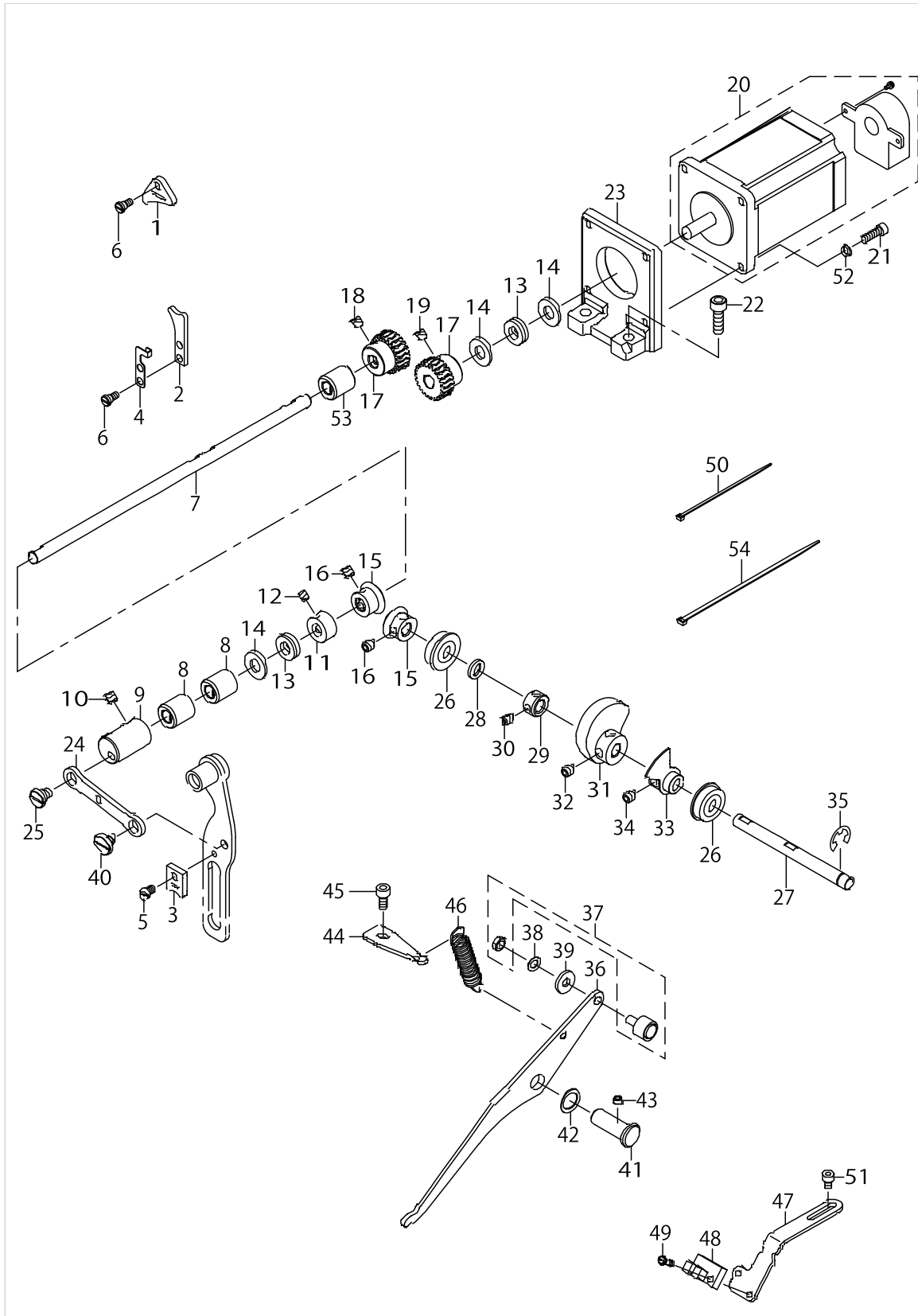
PRESSER MECHANISM & PRESSER VARIABLE COMPONENTS (1)



PRESSER MECHANISM & PRESSER VARIABLE COMPONENTS (1)

No.	Supply Code	Parts No.	Replacement	Parts name	Remarks	Choice	Step	Level	Cons	Qty	Rep. QTY
46	R	22907604	22907554	PRESSER SPRING REGULATOR NUT				*		1	1.00
47		40030623		INTERMEDIATE_PRESSER_BAR						1	
48		B161121000A		INNER PRESSER SPRING						1	
49		40023631		PRESSER GUIDE BAR						1	
50		40023632		INTERMEDIATE PRESSER A					☆	1	
51		SM7751160TP		SCREW						1	
52		SM6040802TP		SCREW M4X0.7 L=8						2	
53		B1634210D00		FINGER GUARD						1	
54		WP0430800SC		WASHER M4						2	
55		40030621		INTERMEDIATE_PRE- SSER_SPRING B						1	
56		40068829		PRESSURE_VARIABLE_PLATE_ASM.						1	
57		40068832		WASHER						1	
58		SD1002206TP		SHOULDER SCREW D=10 H=22						1	
59		SD0800336TP		SHOULDER SCREW						1	
60		SD0800656TP		SHOULDER SCREW						1	
61		TA0550604R0		RUBBER PLUG						2	
62		40030628		SLIDE_BLOCK_A	SELECTIVE PARTS					1	
63		40030629		SLIDE_BLOCK_B	SELECTIVE PARTS					1	
64		40030630		SLIDE_BLOCK_C	SELECTIVE PARTS					1	
65		40030616		INTERMEDIATE_PRESSER_LINK_C						1	

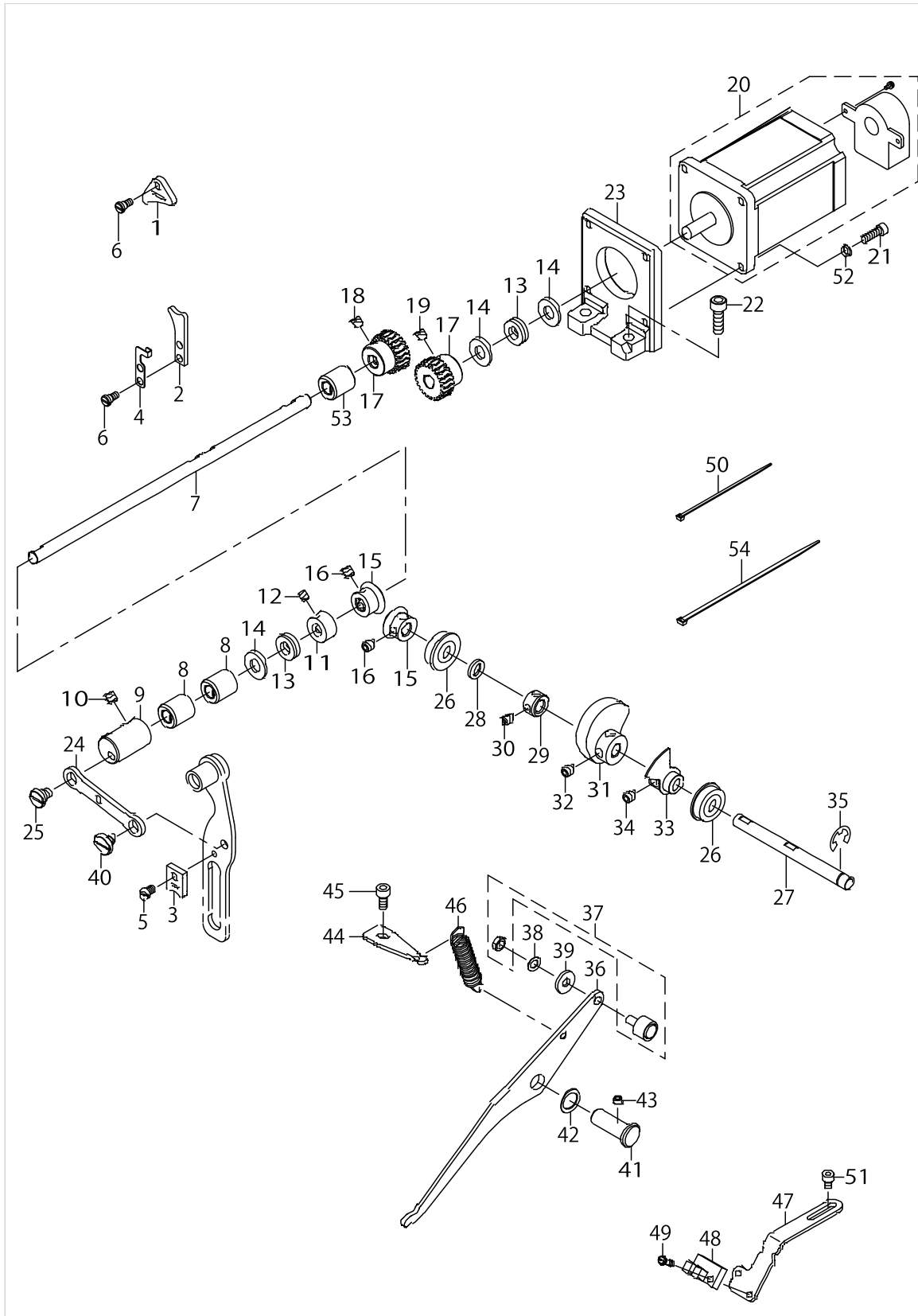
PRESSER MECHANISM & PRESSER VARIABLE COMPONENTS (2)



PRESSER MECHANISM & PRESSER VARIABLE COMPONENTS (2)

No.	Supply Code	Parts No.	Replacement	Parts name	Remarks	Choice	Step	Level	Cons	Qty	Rep. QTY
1		40030625		FACE_FELT_A						1	
2		40030626		FACE_FELT_B						1	
3		40030627		FACE_FELT_C						1	
4		40026817		FACE_FELT_B_SUPPORT						1	
5		40029420		FELT_SCREW_C						1	
6		40032483		FELT_SCREW_AB						3	
7		40032179		PRESSER_VARIABLE_SHAFT						1	
8		40025423		BUSHING B						2	
9		40026819		PRESSER_VARIABLE_ARM						1	
10		SM8480652TP		SCREW						2	
11		CS0800881TP		THRUST COLLAR						1	
12		SM8050412TP		SCREW M5 L=4						2	
13		SB408000100		BEARING						2	
14		WP0850002SP		WASHER 8.5X18X1.6						3	
15		40030615		PRESSER_LIFT_GEAR						2	
16		SM8060812TP		SCREW M6 L=8						4	
17		40032180		PRESSER_MOTOR_GEAR_A						2	
18		SM8060812TP		SCREW M6 L=8						2	
19		SM8060602TP		SCREW M6X6						2	
20		40103969		ENCODER MOTOR ASM.(IP)						1	
21		SM6041402TP		SCREW M4 L=14						4	
22		SM6061802TP		SCREW M6 L=18						2	
23		40032181		PRESSER_MOTOR_BRACKET						1	
24		40024989		PRESSER_VARIABLE_LINK						1	
25		SD0800337TP		SHOULDER SCREW						1	
26		SB108000500		RADIAL BEARING						2	
27		40025426		PRESSER_LIFT_SHAFT						1	
28		WZ0850302K0		WAVED WASHER 8.5X12.5X0.3						1	
29		CS0800881TP		THRUST COLLAR						1	
30		SM8050412TP		SCREW M5 L=4						2	
31		40025016		LIFTING_CAM						1	
32		SM8060812TP		SCREW M6 L=8						2	
33		40025418		SENSOR_SLIT_ASM						1	
34		SM8060812TP		SCREW M6 L=8						2	
35		RE0700000K0		E-RING 7						1	
36		40025030		LIFTING_LINK						1	
37		40027870		CAM FOLLOWER						1	
38		WP0520656SA		WASHER 5.2X9.5X0.6						1	
39		WP0522016SH		WASHER						1	
40		SD0800387TP		SHOULDER SCREW D=8 H=3.75						1	
41		B1641562000		FEED REGULATING ARM SHAFT						1	
42		26226001		WASHER						1	
43		SM8050412TP		SCREW M5 L=4						1	
44		40025420		LIFTER_LINK_SPRING_HOOK						1	
45		SM6050802TP		SCREW M5X0.8 L=8						1	
46		40003970		TENSION RELEASE RETURN						1	

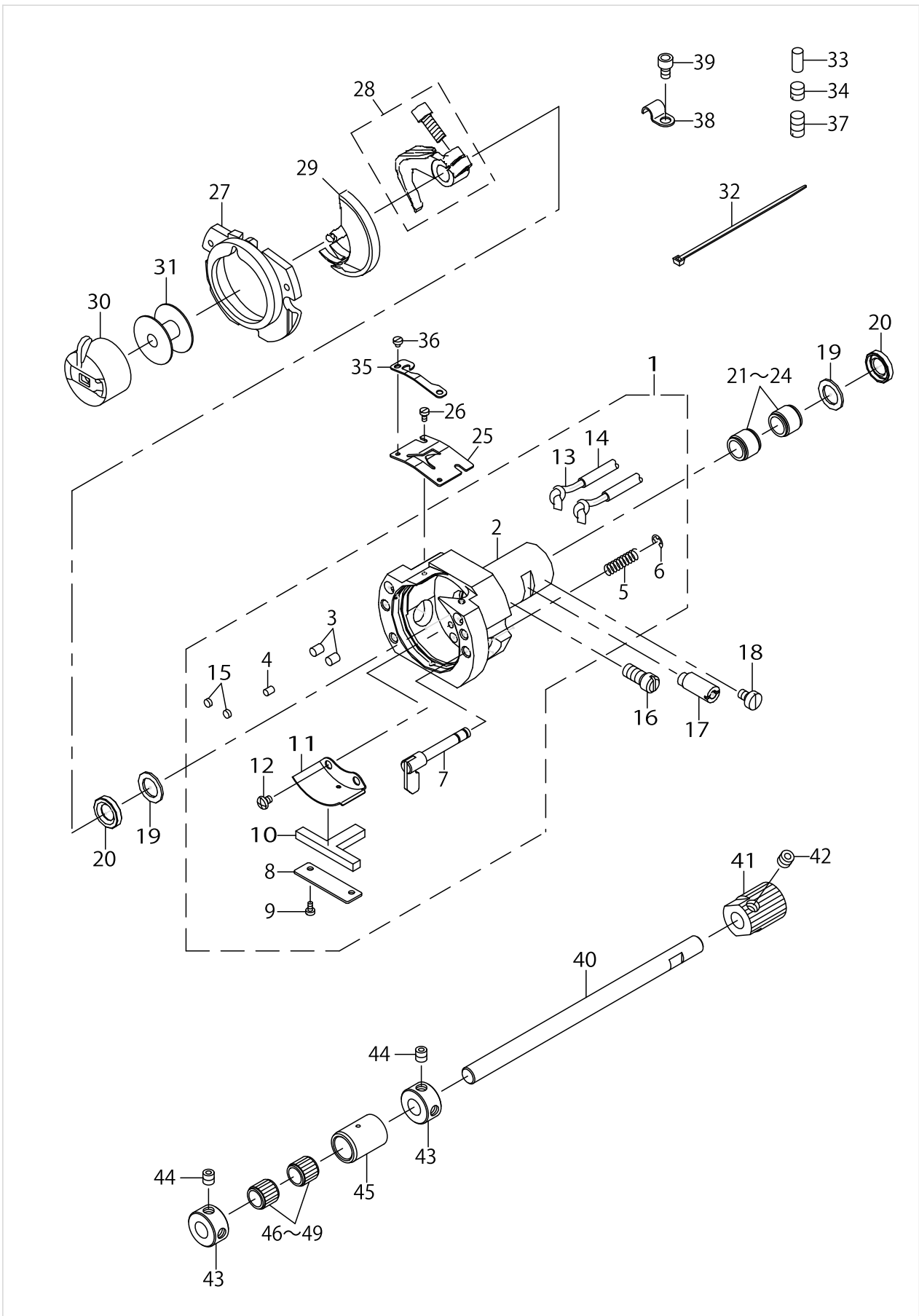
PRESSER MECHANISM & PRESSER VARIABLE COMPONENTS (2)



PRESSER MECHANISM & PRESSER VARIABLE COMPONENTS (2)

No.	Supply Code	Parts No.	Replacement	Parts name	Remarks	Choice	Step	Level	Cons	Qty	Rep. QTY
47		40025419		SENSOR_INSTALLING_BASE						1	
48		HD00057000A		PHOTO SENSOR						1	
49		SL4031091SC		SCREW M3 X 10						1	
50		EA9500B0100		CABLE BAND						2	
51		SM6040602TP		SCREW M4 L=6						2	
52		WP0450846SP		WASHER						4	
53		40043321		BUSHING_C						1	
54		EA9500B0200		CABLE BAND 150						2	

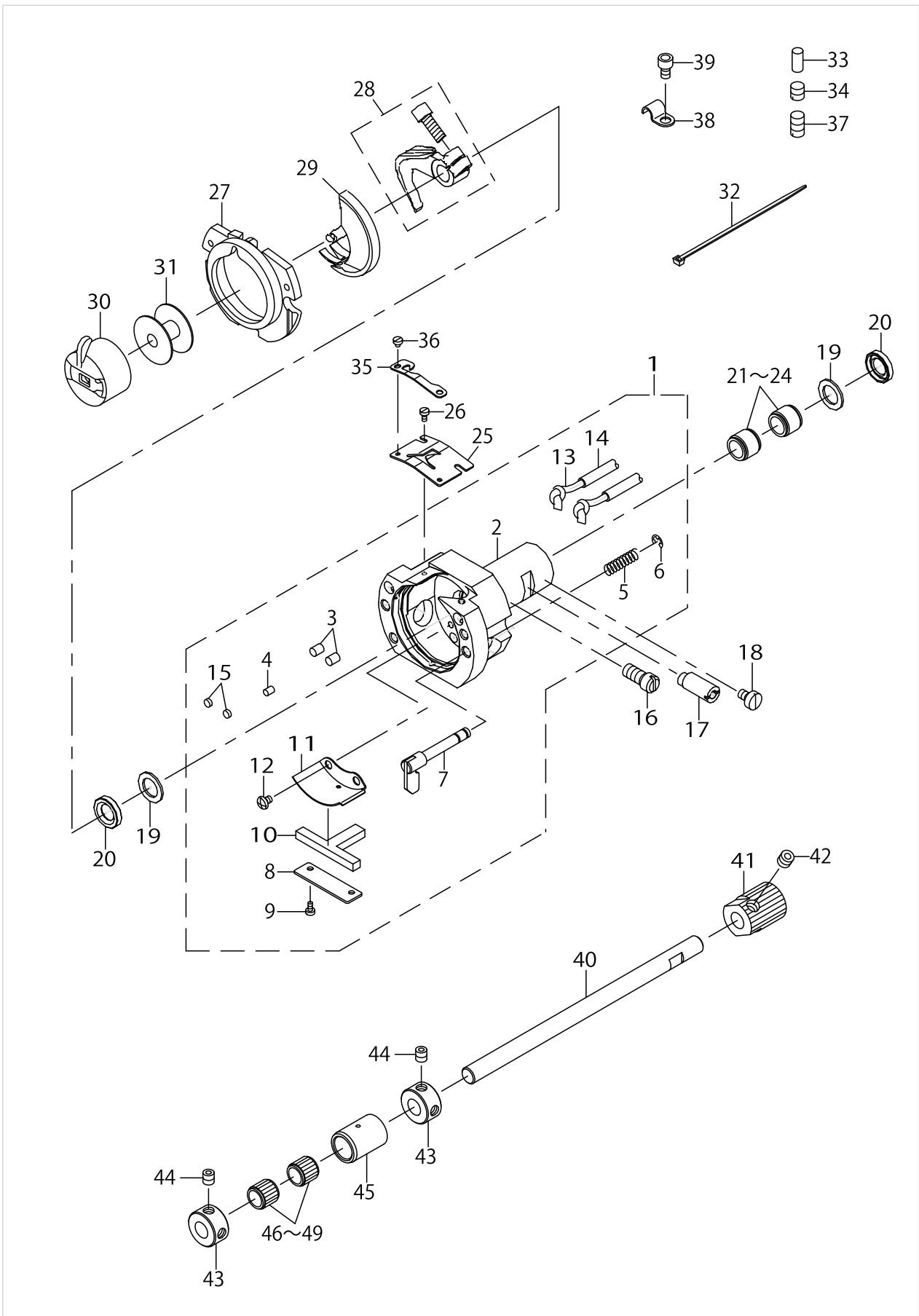
SHUTTLE DRIVER SHAFT COMPONENTS (1)



SHUTTLE DRIVER SHAFT COMPONENTS (1)

No.	Supply Code	Parts No.	Replacement	Parts name	Remarks	Choice	Step	Level	Cons	Qty	Rep. QTY
1		40072140		SHUTTLE_ASM						1	
2		40089365		SHUTTLE				*		1	
3		B1820210D00		SHUTTLE OIL FELT,A				*		2	
4		B1821210D00		SHUTTLE OIL FELT,B				*		1	
5		B1822215P00		INNER HOOK PRESSER SPRING				*		2	
6		RE0300000K0		E-RING 3				*		2	
7		26501858		INNER-HOOK-PRESSER COMPL.				*		2	
8		14104004		ONCE THROUGH OIL FELT PRESSER				*		1	
9		SM6020460TP		SCREW				*		2	
10		14103907		SHUTTLE ONCE TH-ROUGH OIL FELT				*		1	
11		40006577		SHUTTLE_LUBRICATING_PLATE				*		1	
12		SM4030455SP		SCREW				*		2	
13		CQ200000000		OIL WICK				*		8.9	
14		23630007		TUBE				*		3.9	
15		13529607		SHUTTLE PACKING				*		2	
16		40010470		SHUTTLE_ASM_SCREW						1	
17		40010471		SHUTTLE_RACE_ADJUSTING_SHAFT						1	
18		SM6060800SP		SCREW M6 L=8						1	
19		40010472		SHUTTLE_BEARING_RING						2	
20		40006576		SHUTTLE_OIL_SEAL						2	
21		SB30800100A		BEARING	SELECTIVE PARTS					2	
22		SB30800100B		BEARING	SELECTIVE PARTS					2	
23		SB30800100C		BEARING	SELECTIVE PARTS					2	
24		SB30800100D		BEARING	SELECTIVE PARTS					2	
25		40036117		SHUTTLE UPPER SPRING						1	
26		SM6020460TP		SCREW						2	
27		14103352		INNER HOOK PRESSER ASM., B						1	
28		40014963		SHUTTLE DRIVER ASM.					☆	1	
29		40061991		SHUTTLE(H)					☆	1	
30		B1828210DAA		BOBBIN CASE ASM.					☆	1	
31		B1806210D00		BOBBIN					☆	1	
32		EA9500B0100		CABLE BAND						2	
33		40006578		OIL_WICK_PRESSER						1	
34		SM8060610TP		SCREW						1	
35		40036118		LOWER THREAD HOLDER						1	
36		SM6020250TP		SCREW						2	
37		SM8061050TP		SCREW						1	
38		B3538112000		OIL RETURN TUBE HOLDER						1	
39		SM6040602TP		SCREW M4 L=6						1	
40		40072102		DRIVER SHAFT						1	
41		40072101		LOWER SHAFT GEAR						1	
42		SM8060552TP		SCREW M6 L=5						2	
43		CS0800971TP		THRUST COLLAR D=8 W=9						2	
44		SM8050512TP		SCREW						4	
45		B1847221D00		LOWER SHAFT MIDDLE METAL						1	

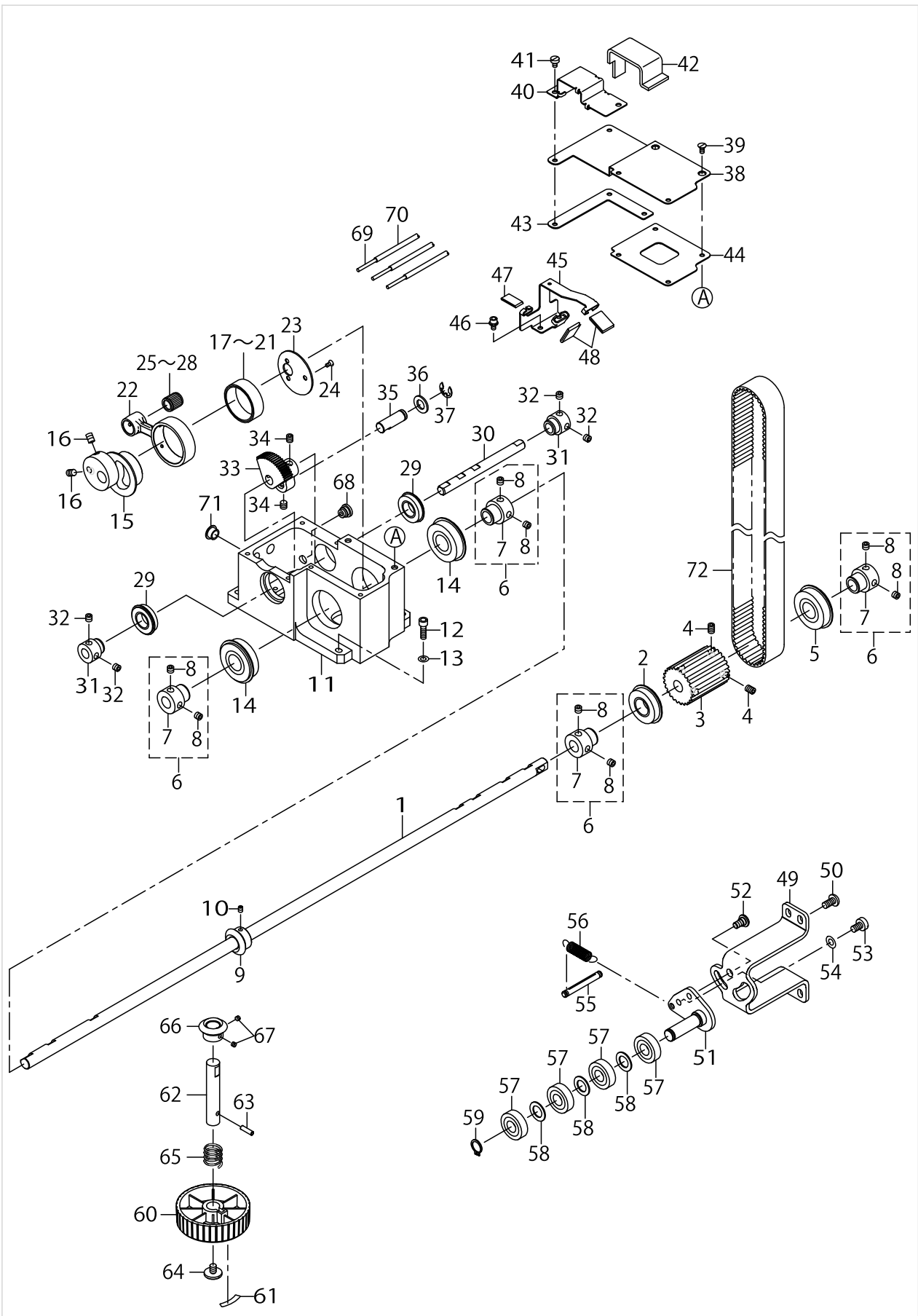
SHUTTLE DRIVER SHAFT COMPONENTS (1)



SHUTTLE DRIVER SHAFT COMPONENTS (1)

No.	Supply Code	Parts No.	Replacement	Parts name	Remarks	Choice	Step	Level	Cons	Qty	Rep. QTY
46		B1411804A00		BEARING (A)	SELECTIVE PARTS					1	
47		B1411804B00		NEEDLE DRIVING L- EVER BEARING B	SELECTIVE PARTS					1	
48		B1411804C00		NEEDLE DRIVING L- EVER BEARING C	SELECTIVE PARTS					1	
49		B1411804D00		BEARING (D)	SELECTIVE PARTS					1	

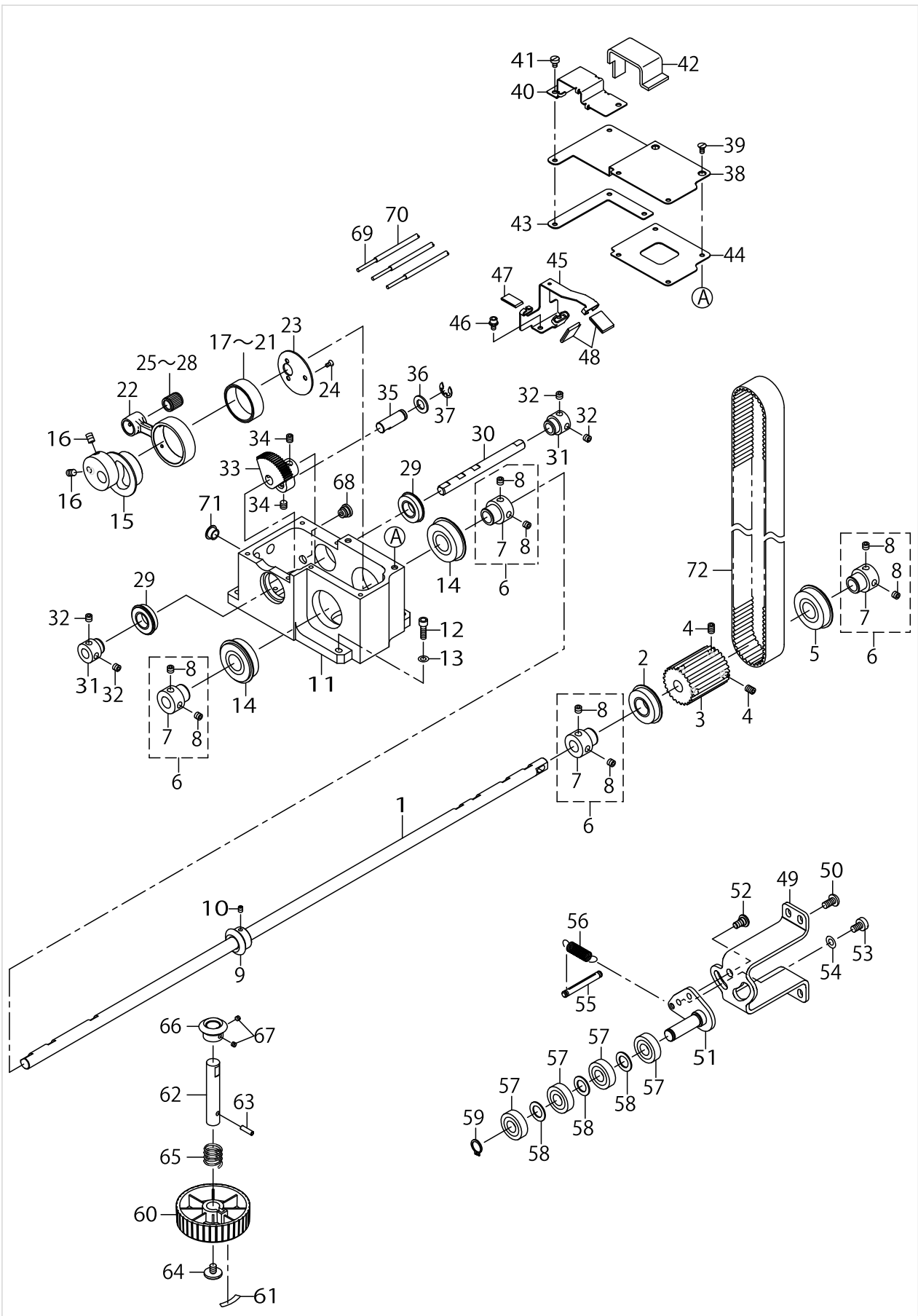
SHUTTLE DRIVER SHAFT COMPONENTS (2)



SHUTTLE DRIVER SHAFT COMPONENTS (2)

No.	Supply Code	Parts No.	Replacement	Parts name	Remarks	Choice	Step	Level	Cons	Qty	Rep. QTY
1		40072089		LOWER SHAFT						1	
2		SB117000400		BEARING						1	
3		40072207		LOWER SHAFT SPROCKET						1	
4		SM8060812TP		SCREW M6 L=8						4	
5		SB117001000		BEARING						1	
6		40086384		BEARING SUPPORT ASM.						4	
7		23618606		BEARING SUPPORT				*		1	
8		SS8660612TP		SCREW 1/4-40 L=6				*		2	
9		40072173		GEAR_A						1	
10		SM8040502TP		SCREW M4X0.7 L=5						2	
11		40072090		GEAR BOX						1	
12		SM6051602TP		SCREW M5X0.8 L=16						4	
13		WP0531000SD		WASHER M5						4	
14		SB117001100		BEARING						2	
15		40072091		ECCENTRICK CAM						1	
16		SM8060812TP		SCREW M6 L=8						2	
17		SB33500020A		BEARING						1	
18		SB33500020B		BEARING						1	
19		SB33500020C		BEARING						1	
20		SB33500020D		BEARING						1	
21		SB33500020E		BEARING						1	
22		40072092		CRANK LOD						1	
23		40072106		CRANK LOD SUPPORT PLATE						1	
24		SM1030601SP		SCREW M3 L=6						3	
25		SB31000110A		BEARING						1	
26		SB31000110B		BEARING						1	
27		SB31000110C		BEARING						1	
28		SB31000110D		BEARING						1	
29		SB115001400		BEARING						2	
30		40072093		OSCILLATING SHAFT						1	
31		40072227		BEARING_BUSH						2	
32		SM8060552TP		SCREW M6 L=5						4	
33		40072094		OSCILLATOR						1	
34		SM8480652TP		SCREW						5	
35		40072095		OSCILLATOR PIN						1	
36		40026818		WASHER						1	
37		RE0800000K0		E-SHAPED SNAP RING (8MM)						1	
38		40072096		GEAR BOX COVER						1	
39		SM1040870TP		SCREW						2	
40		40072100		LUBRICATING PLATE						1	
41		SM6040650TP		SCREW						5	
42		40072099		FELT						1	
43		40072097		GASKET A						1	
44		40072098		GASKET B						1	
45		40072159		LUBRICATION PLATE						1	
46		SL6040892TN		BOLT						2	

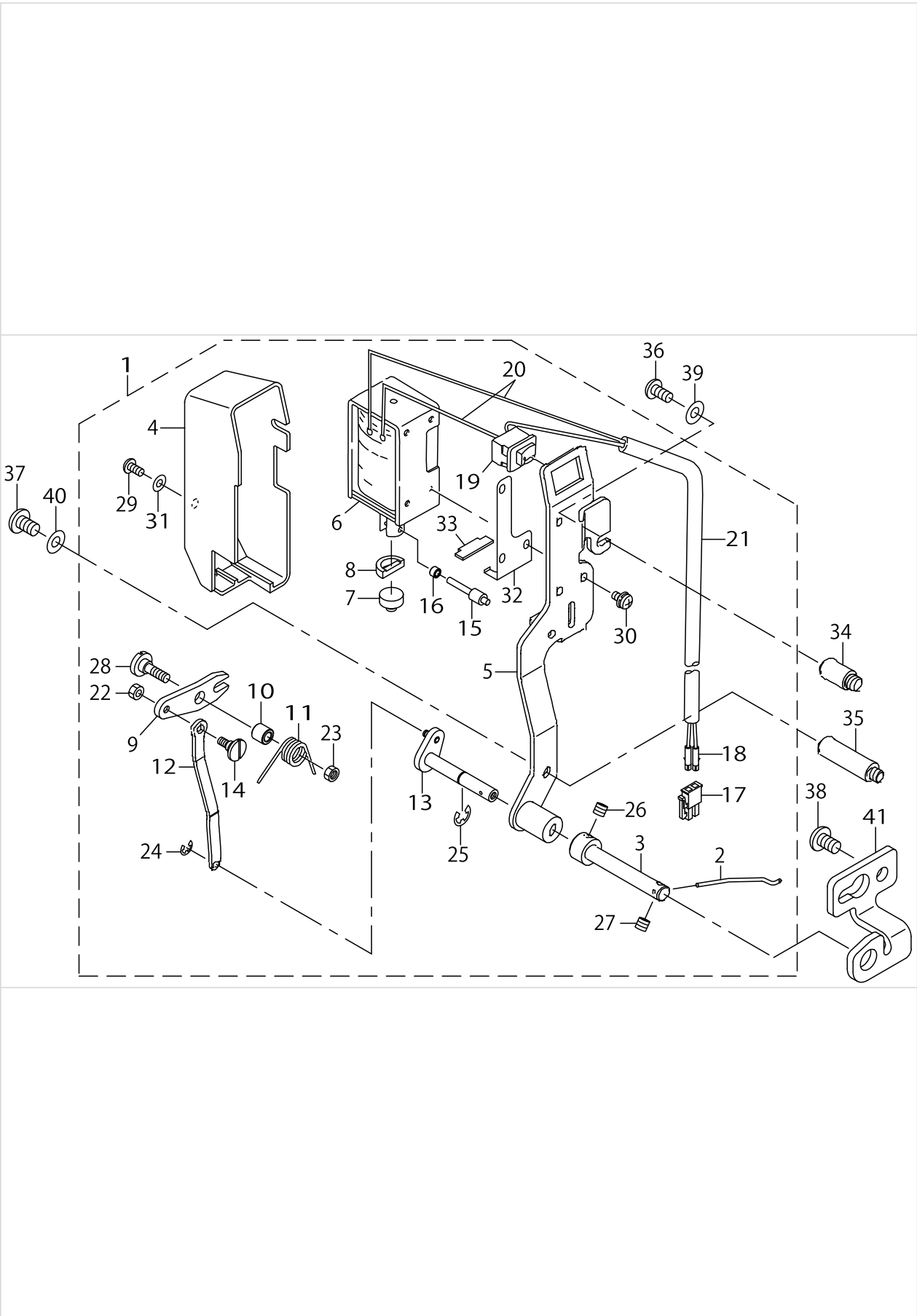
SHUTTLE DRIVER SHAFT COMPONENTS (2)



SHUTTLE DRIVER SHAFT COMPONENTS (2)

No.	Supply Code	Parts No.	Replacement	Parts name	Remarks	Choice	Step	Level	Cons	Qty	Rep. QTY
47		B3518280000		BALANCE LUBRICATING						1	
48		B3509280000		NEEDLE ROD CRANK LUBRICATING						2	
49		40072208		IDLER INSTALLING PLATE						1	
50		SM4061255SP		SCREW M6 L=12						4	
51		40072103		IDLER BASE ASM						1	
52		SD0800346TP		SHOULDER SCREW						1	
53		SM6061010TP		SCREW M6 L=10						1	
54		WP0641601SD		WASHER M6						1	
55		13518501		SPRINGSUSPENSION						1	
56		14432504		IDLER SPRING						1	
57		SB112000200		BEARING						4	
58		WP1221016SP		WASHER						3	
59		RC1200001KP		C-SHAPED SNAP RING						1	
60		B1212210D00		PULLEY						1	
61		B1144210000		REVOLVING DIRECTION LABEL						1	
62		40044053		PULLEY SHAFT						1	
63		PS0400142KH		SPRING PIN 4X14						1	
64		A1230500000A		HANDWHEEL SETSCREW						1	
65		GAF01007000		SPRING						1	
66		40006515		GEAR_A						1	
67		SM8040502TP		SCREW M4X0.7 L=5						2	
68		40006840		RUBBER BUSH						3	
69		CQ200000000		OIL WICK						2.6	
70		23630007		TUBE						6.3	
71		TA1050504R0		RUBBER PLUG						2	
72		40072088		BELT						1	

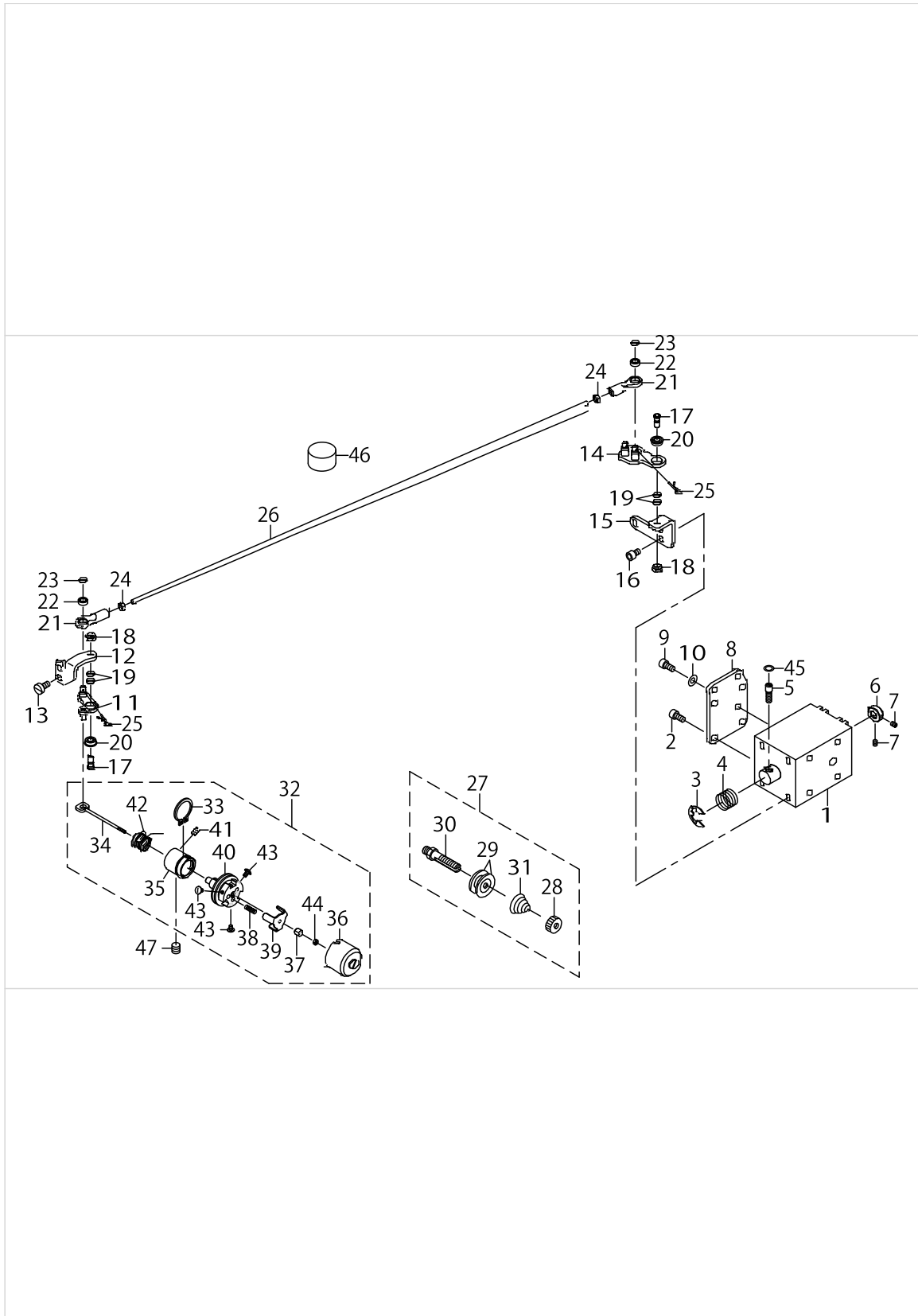
WIPER MECHANISM COMPONENTS



WIPER MECHANISM COMPONENTS

No.	Supply Code	Parts No.	Replacement	Parts name	Remarks	Choice	Step	Level	Cons	Qty	Rep. QTY
1		40072151		WIPER ASM						1	
2		B2107210D00		WIPER				*	☆	1	
3		40025416		WIPER_SHAFT_CAP				*		1	
4		22955504		WIPER COVER				*		1	
5		40030780		WIPER_BASE_ASM.				*		1	
6		40030956		WIPER_SOLENOID				*		1	
7		22955900		WIPER RUBBER A				*		1	
8		22956007		WIPER RUBBER B				*		1	
9		22956106		WIPER LINK A				*		1	
10		22956205		WIPER HINGE SCREW COLLAR				*		1	
11		B2130210D00		WIPER SPRING				*		1	
12		40030779		WIPER_LINK_B				*		1	
13	R	11111051	40041419	WIPER DRIVING SHAFT ASM.				*		1	1.00
14		22956908		WIPER LINK B HINGE SCREW				*		1	
15		22957104		WIPER SOLENOID SHAFT				*		1	
16		22957203		WIPER LINK COLLAR				*		1	
17		HK034610020		2-POLE NYLON PLUG				*		1	
18		HK03464000B		PIN CONTACT				*		2	
19		HA006000000		SWITCH				*		1	
20		HW200390000		ELECTRIC WIRE				*		0.04	
21		HW500070000		2-CORE CABTYRE CORD				*		2.5	
22		NS6090310SP		NUT 9/64-40				*		1	
23		NS6110310SP		NUT 11/64-40				*		1	
24		RE0250000K0		E-RING 2.5				*		1	
25		RE0500000K0		E-RING				*		1	
26		SM8040412TP		SET SCREW M4 L=4				*		1	
27		SM8040412TP		SET SCREW M4 L=4				*		1	
28		SD0650321TP		HINGE SCREW D=6.5 H=3.2				*		1	
29		SM4030601SN		SCREW M3 X 6				*		1	
30		SL4030641SE		SCREW				*		3	
31		WP0320501SC		WASHER M3				*		1	
32		40037500		RUBBER HOLDER				*		1	
33		40037501		STOPPER RUBBER				*		1	
34		40025440		WIPER_STUD_TOP						1	
35		40025441		WIPER_STUD_BOTTOM						1	
36		SM4040855SP		SCREW						1	
37		SM4050855SP		SCREW						1	
38		SM4041055SP		SCREW						2	
39		WP0450801SP		WASHER						1	
40		WP0531001SC		WASHER						1	
41		B2110210D00		WIPER SHAFT SUPPORT BRACKET						1	

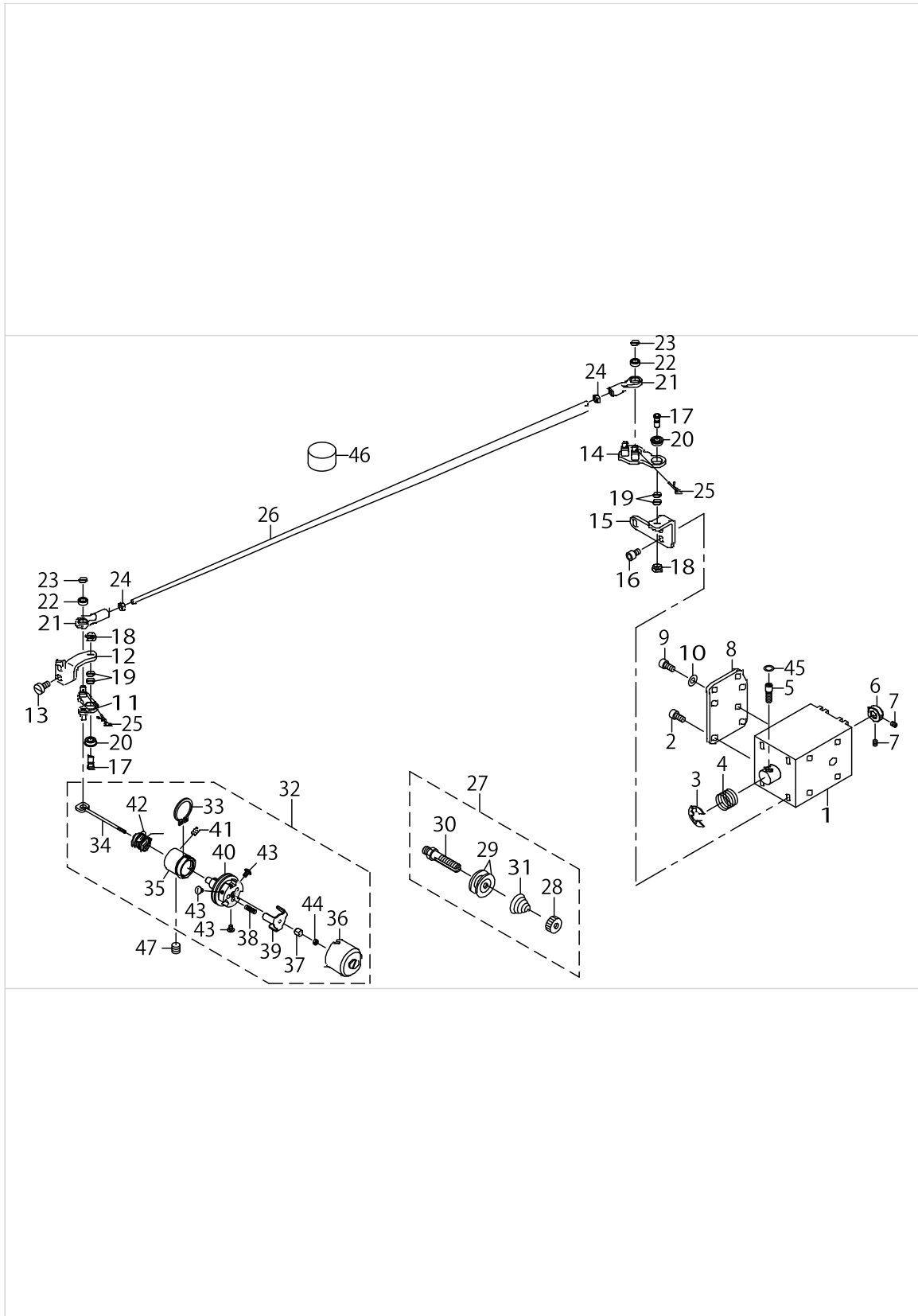
TENSION RELEASE & THREAD TENSION COMPONENTS



TENSION RELEASE & THREAD TENSION COMPONENTS

No.	Supply Code	Parts No.	Replacement	Parts name	Remarks	Choice	Step	Level	Cons	Qty	Rep. QTY
1		40073660		AT SOLENOID						1	
2		SM6040802TP		SCREW M4X0.7 L=8						4	
3		RE0900000K0		E-RING 9						1	
4		40006625		SPRING						1	
5		40006617		AT_SOL_PIN						1	
6		40010477		AT_SOL_COLLAR						1	
7		SM8030412TP		SCREW						2	
8		40010479		AT_PLATE						1	
9		SM6040802TP		SCREW M4X0.7 L=8						2	
10		WP0430801SC		WASHER 4.3X9X0.8						2	
11		40032343		AT_DRIVE_LINK_F_ASM						1	
12		40023993		AT_PIVOT_BASE(F)						1	
13		SM6040860TP		SCREW M4 L=8						2	
14		40032345		AT_DRIVE_LINK_R_ASM						1	
15		40023999		AT_PIVOT_BASE(R)						1	
16		SM6040802TP		SCREW M4X0.7 L=8						2	
17		40010487		AT_PIVOT_SCREW						2	
18		NM6040003SC		NUT M4						2	
19		40010489		AT_PIVOT_SCREW_WASHER						4	
20		40010490		AT_PIVOT_BEARING						2	
21		40010497		AT_JOINT						2	
22		40010498		AT_JOINT_BEARING						2	
23		40010489		AT_PIVOT_SCREW_WASHER						2	
24	R	40010499	NM6030001SC	AT_JOINT_NUT						2	1.00
25		40006622		AT_SNAP_PIN						2	
26		40072111		AT CONNECTIONBAR						1	
27		40010503		THREAD_TENSION_1_ASM.						1	
28		22928808		NUT				*		1	
29		22921506		THREAD TENSION DISK				*		2	
30	R	40010504	40010503	THREAD_TENSION_SHAFT				*		1	1.00
31		26218602		FIRST THREAD TENSION SPRING				*		1	
32		40029411		THREAD_TENSION_2_ASM_H	TYPE H					1	
33	R	40010523	40010508	POST_BASE_C_RING				*		1	1.00
34		40010509		TENSION RELEASE PIN				*		1	
35		40010510		THREAD_TENSION_POST_BASE				*		1	
36		40010511		DISK_STOPPER HOLDER_CAP				*		1	
37		40010512		THREAD_TENSION_SHAFT_COLLAR				*		1	
38		40010513		DISK_STOPPER_SPRING				*		3	
39		40010514		DISK_STOPPER				*		1	
40		40010515		ASSY_THREAD_TENSION_POST				*		1	
41		40010478		AT_SOL_COLLAR_SCREW				*		1	
42		40029412		THREAD_TAKE-UP_SPRING_H	TYPE H			*	☆	1	
43		40010521		HOLD_CAP_SCREW				*		3	
44		40010522		SHAFT_NUT				*		1	
45		WP0510516SD		WASHER 5.1X7.5X0.5						2	
46		B1228232000		OIL FELT						2	

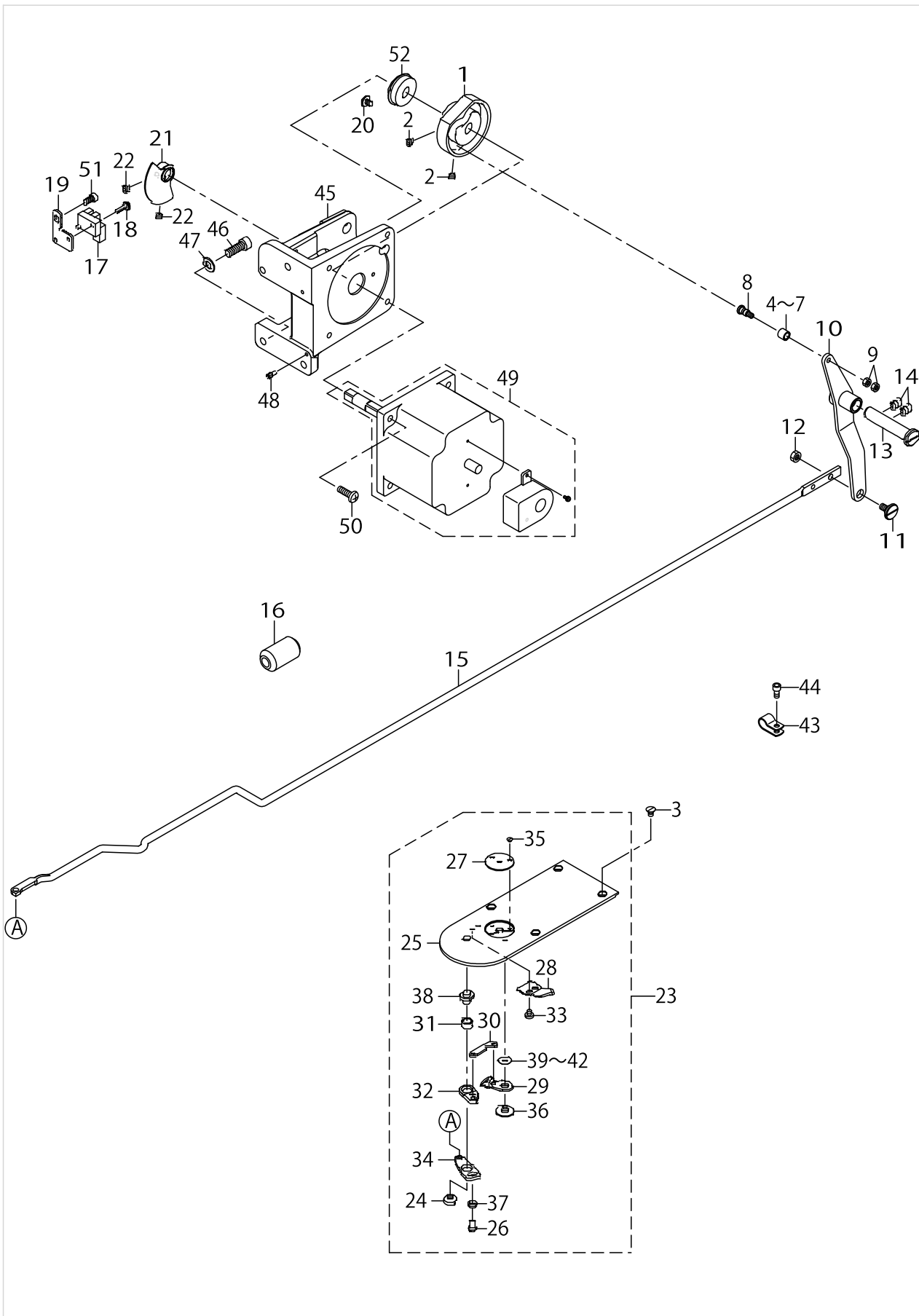
TENSION RELEASE & THREAD TENSION COMPONENTS



TENSION RELEASE & THREAD TENSION COMPONENTS

No.	Supply Code	Parts No.	Replacement	Parts name	Remarks	Choice	Step	Level	Cons	Qty	Rep. QTY
47		SM8061612TP		SCREW M6X16						1	

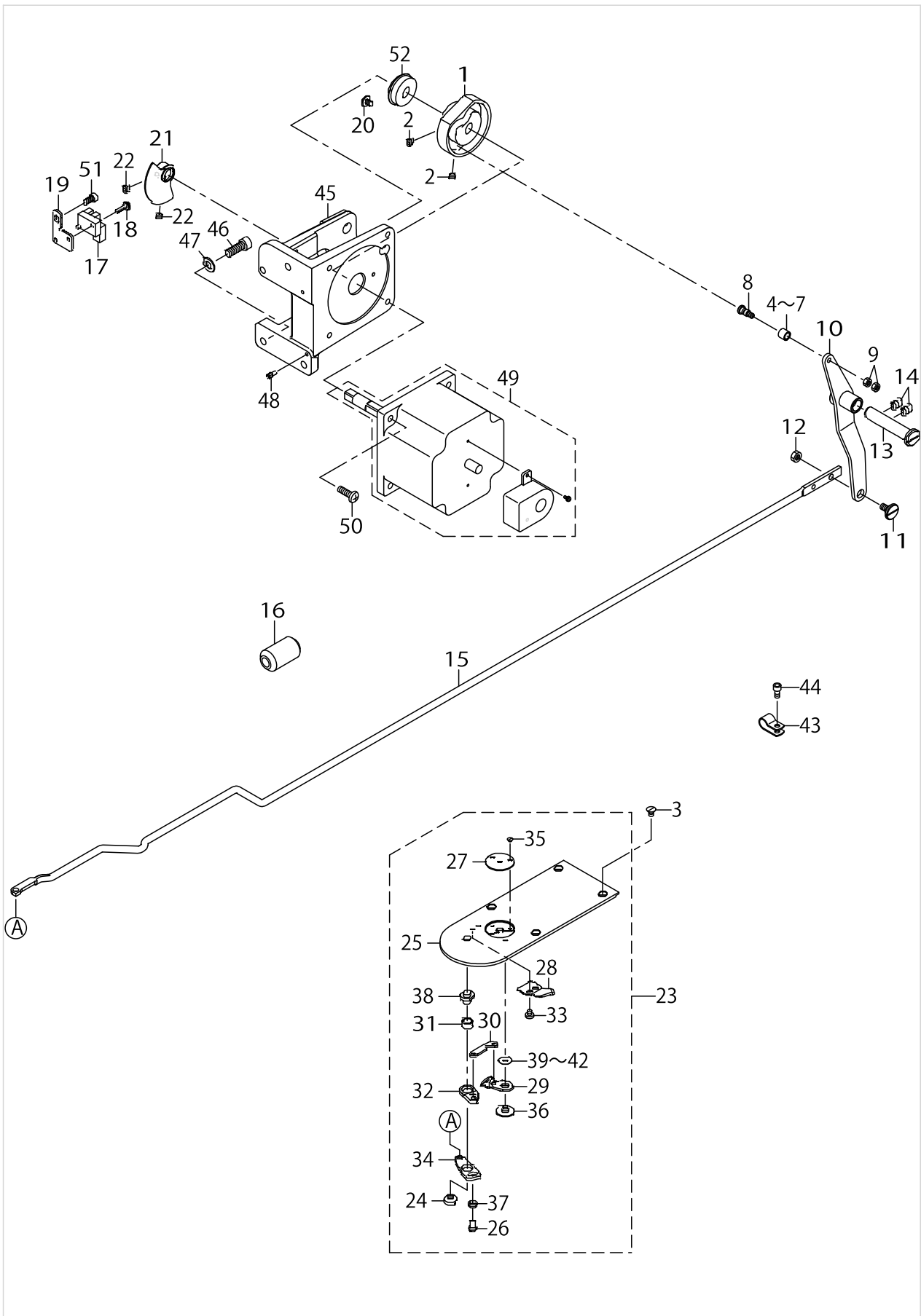
THREAD TRIMMER MECHANISM COMPONENTS



THREAD TRIMMER MECHANISM COMPONENTS

No.	Supply Code	Parts No.	Replacement	Parts name	Remarks	Choice	Step	Level	Cons	Qty	Rep. QTY
1		40030936		THREAD_TRIMMER_CAM						1	
2		SM8050592TP		SCREW						2	
3		SM1040650TP		SCREW						4	
4		23517501		NEEDLE CAM ROLLER A	SELECTIVE PARTS					1	
5		23517600		NEEDLE CAM ROLLER B	SELECTIVE PARTS					1	
6		23517709		NEEDLE CAM ROLLER C	SELECTIVE PARTS					1	
7		23517808		NEEDLE CAM ROLLER D	SELECTIVE PARTS					1	
8		40040256		ROLLER_SHAFT						1	
9		NM6040001SP		NUT M4X0.7						2	
10		40072228		THREAD_TRIMMER_LINK_ASM						1	
11		SD0800327TP		SHOULDER SCREW						1	
12		NM6050001SP		NUT M5						1	
13		40023624		THREAD_TRIMMER_SHAFT						1	
14		SM8060812TP		SCREW M6 L=8						2	
15		40072107		THREAD TRIMMER CONNECTING BAR						1	
16		HN002840000		CORES	FOR JE					1	
17		HD00057000A		PHOTO SENSOR						1	
18		SL4031091SC		SCREW M3 X 10						1	
19		40010443		SENSOR_INSTALLING_BASE						1	
20		SM6040650TP		SCREW						1	
21		40006666		SENSOR_SLIT_ASM						1	
22		SM8050592TP		SCREW						2	
23		40030933		NEEDLE_PLATE_H_ASM.	TYPE H					1	
24		SS6110430TP		SCREW 11/64-40 L= 4.0				*		1	
25		40030934		NEEDLE_PLATE				*		1	
26		SS7110740TP		SCREW 11/64-40 L=7				*		1	
27		B242621000B		NEEDLE HOLE GUIDE D=2.0	TYPE H			*	☆	1	
28		B2424210000		COUNTER KNIFE				*	☆	1	
29		B2421210AA0		MOVING KNIFE COMPL.				*	☆	1	
30		B2418280000		MOVING KNIFE LINK				*		1	
31		B2416280000		THREAD CUTTING LEVER RING				*		1	
32		B24152800A0		THREAD CUTTER L- EVER ASM., SMALL				*		1	
33		SS7090410SP		SCREW 9/64-40 L=3.5				*		2	
34		B24142800A0		THREAD CUTTER L- EVER ASM., LARGE				*		1	
35		SS1060210TP		SCREW 3/32-56 L=2.2				*	☆	2	
36		B2417210000		MOVING KNIFE HINGE SCREW				*		1	
37		WP0450846SP		WASHER				*		1	
38		B2417280000		THREAD CUTTER LEVER SHAFT				*		1	
39		B242328000D		MOVING KNIFE WASHER D	SELECTIVE PARTS			*		1	
40		B242328000B		MOVING KNIFE WASHER B	SELECTIVE PARTS			*		1	
41		B242328000A		MOVING KNIFE WASHER A	SELECTIVE PARTS			*		1	
42		B242328000C		MOVING KNIFE WASHER C	SELECTIVE PARTS			*		1	
43		HX00150000C		CABLE CLIP						1	
44		SM6040802TP		SCREW M4X0.7 L=8						1	
45		40072211		MOTOR_BASE						1	

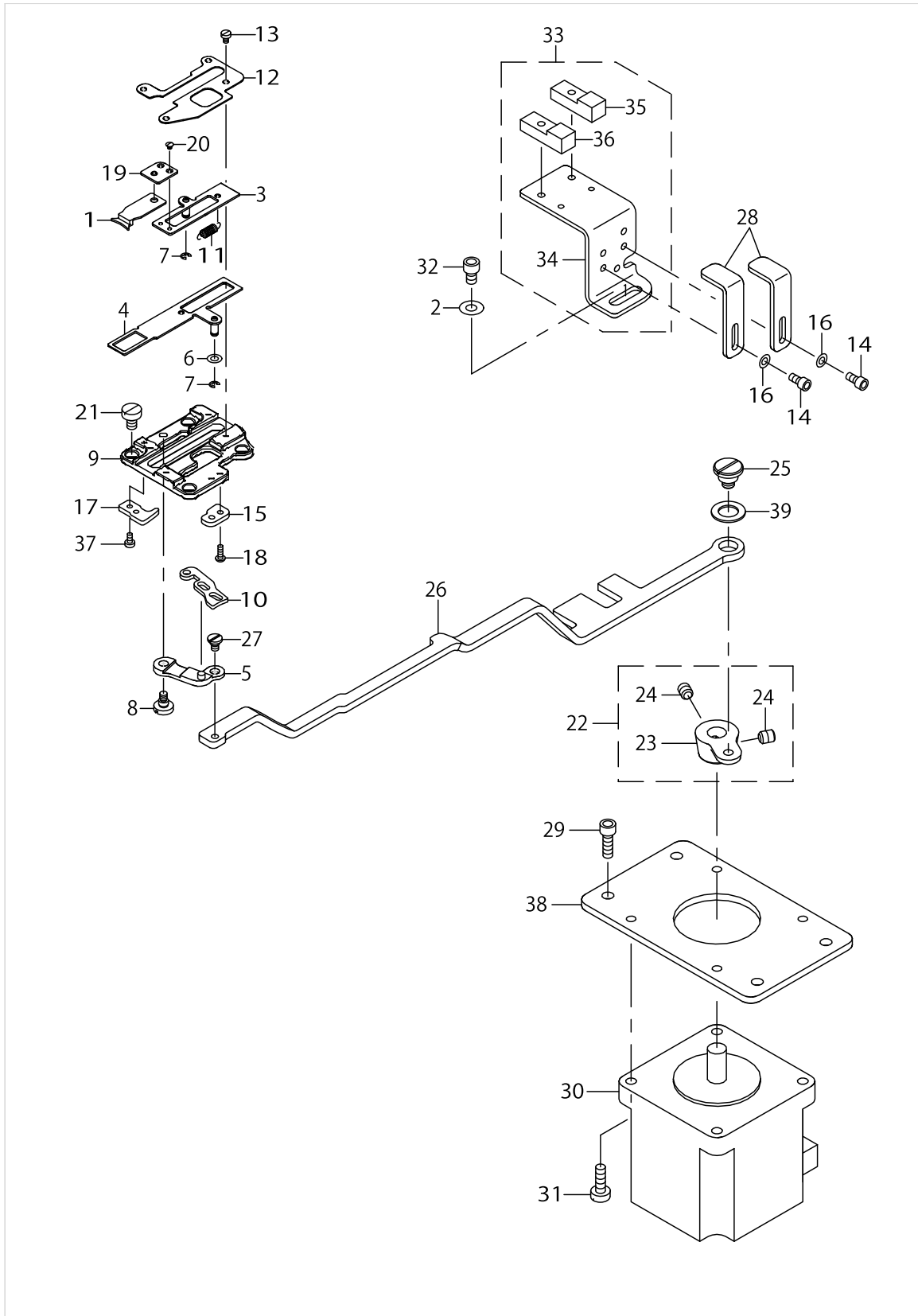
THREAD TRIMMER MECHANISM COMPONENTS



THREAD TRIMMER MECHANISM COMPONENTS

No.	Supply Code	Parts No.	Replacement	Parts name	Remarks	Choice	Step	Level	Cons	Qty	Rep. QTY
46		SM6061802TP		SCREW M6 L=18						3	
47		WP0651001SC		WASHER						3	
48		B1816215P00		GUIDE PIN						2	
49		40103968		ENCODER MOTOR ASM.(TC)						1	
50		SM4051655SP		SCREW M5 L=16						4	
51		SM6040802TP		SCREW M4X0.7 L=8						1	
52		SB110002400		BEARING						1	

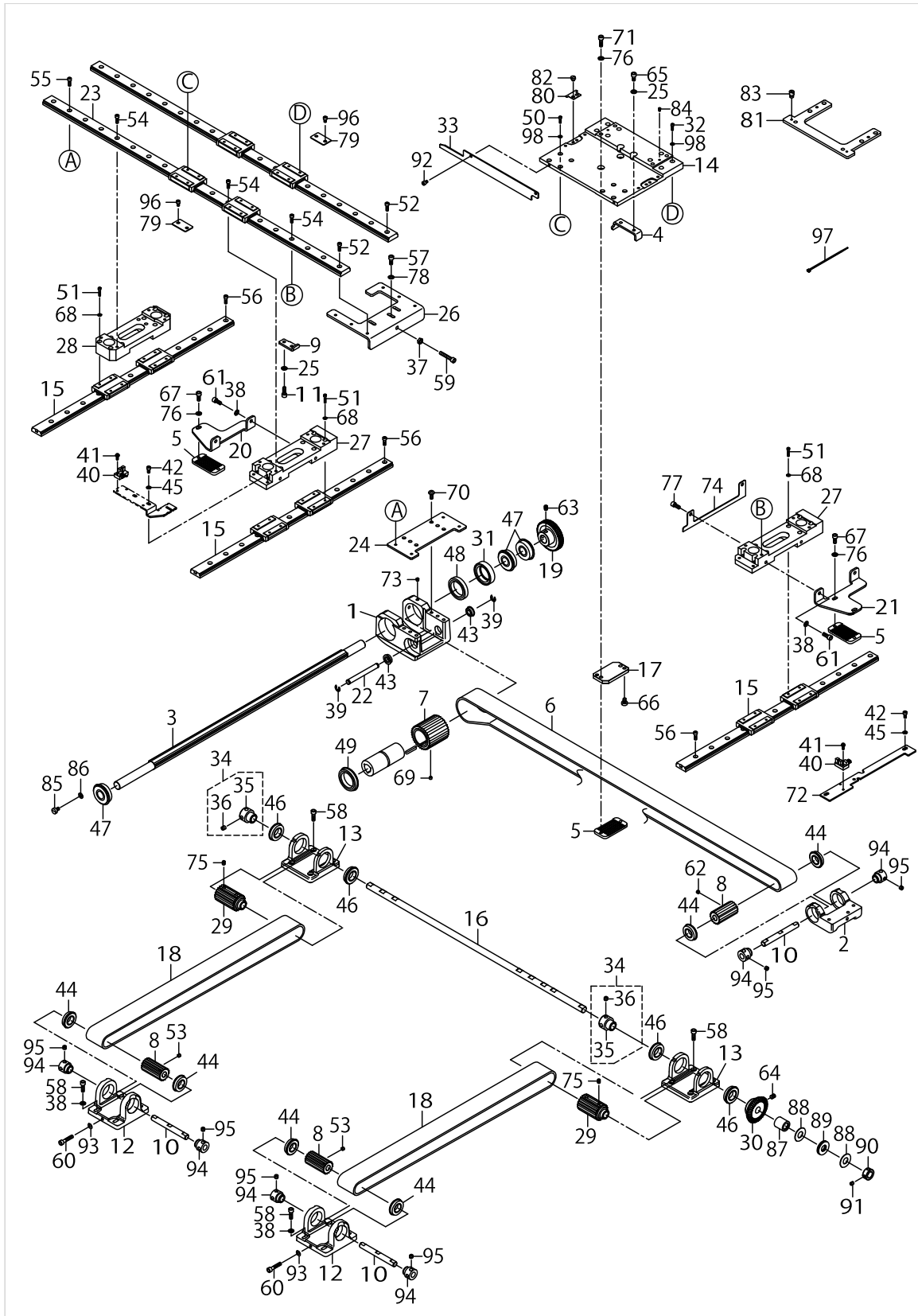
THREAD CLAMP COMPONENTS



THREAD CLAMP COMPONENTS

No.	Supply Code	Parts No.	Replacement	Parts name	Remarks	Choice	Step	Level	Cons	Qty	Rep. QTY
1		40006761		TC_CLAMP						1	
2		WP0450801SP		WASHER						1	
3		40006762		TC_CLAMP_PLATE_ASM.						1	
4		40006765		TC_SUPPERT_PLATE_ASM.						1	
5		40015800		TC_LINK_ASM.						1	
6		WP0320500SC		WASHER M3						1	
7		RE0200000K0		E-RING						2	
8		SD0400266TP		SHOULDER SCREW						1	
9		40010589		TC BASE						1	
10	R	40006772	40010590	TC_CAM_PLATE						1	1.00
11		40006780		TC_SPRING						1	
12		40006781		TC_BASE_COVER						1	
13		SM6020350SP		SCREW M2 L=2.5						4	
14		SM6030602TP		SCREW M3X0.5 L=6						4	
15		40030943		TC_NOTCH_R_H	TYPE H					1	
16		WP0320500SD		M3 WASHER						4	
17		40030942		TC_NOTCH_F_H	TYPE H					1	
18		SM4020600SP		SCREW M2 L=6						2	
19	R	40006768	40012815	TC_JOINT_ASM.						1	1.00
20		SM2360110TP		SCREW						2	
21		SM6040650TP		SCREW						4	
22		40010527		TC_DRIVING_ARM_ASM.						1	
23	R	40010528	40010527	TC_DRIVING_ARM				*		1	1.00
24	R	40011152	40010527	TC_ARM_SCREW				*		2	1.00
25		SD0800407TP		SHOULDER SCREW						1	
26	R	40072108	40111145	TC CONNECTING LINK						1	1.00
27		SD0350156TP		SHOULDER SCREW						1	
28		40072225		CONNECTING_LINK_SUPPORT						2	
29		SM6041202TP		SCREW M4X0.7 L=12						3	
30		40075079		STEPPING MOTOR						1	
31		SM6041202TP		SCREW M4X0.7 L=12						4	
32		SM6040602TP		SCREW M4 L=6						1	
33		40073674		TH SENSOR ASM						1	
34		40072109		TC SENSOR INSTALLING PLATE				*		1	
35	R	HD00204000A	HD00203000A	SENSOR				*		1	1.00
36	R	HD00204000B	HD00203000B	SENSOR				*		1	1.00
37		SM6020450TP		SCREW						2	
38		40072110		THREAD HOLD MOTOR INSTALLING P						1	
39		GBR0118500A		WASHER						1	

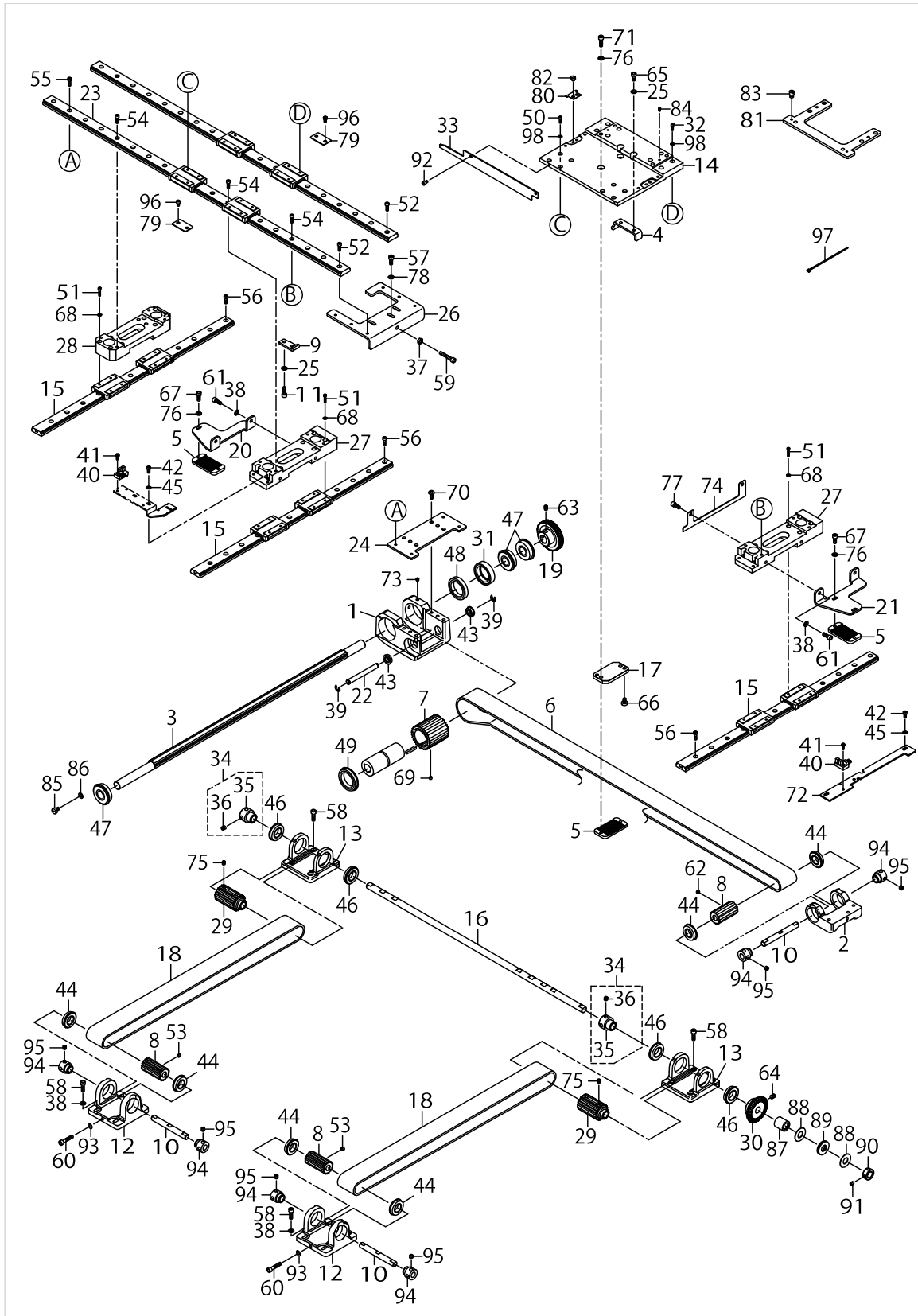
X-Y COMPONENTS (1)(FOR 4530)



X-Y COMPONENTS (1)(FOR 4530)

No.	Supply Code	Parts No.	Replacement	Parts name	Remarks	Choice	Step	Level	Cons	Qty	Rep. QTY
1		40072160		X_DRIVE_BRACKET						1	
2		40072113		X DRIVEN BRACKET						1	
3		40072115		X DRIVE SPLINE SHAFT						1	
4		40072130		X STOPPER A 4530						1	
5		40072166		BELT RECEIVER						3	
6		40072169		X TIMING BELT(4530)						1	
7		40072167		X DRIVE SPROCKET						1	
8		40072168		DRIVEN SPROCKET						3	
9		40072152		X STOPPER B 4530						1	
10		40072226		DRIVEN_SHAFT						3	
11		SM6051402TP		SCREW M5X0.8 L=14						2	
12		40072114		Y DRIVEN BRACKET						2	
13		40072112		Y DRIVE BRACKET						2	
14		40072116		X FEED BASE						1	
15		40072117		Y-LM GUIDE						3	
16		40072118		Y DRIVE SHAFT						1	
17		40072119		X BELT PRESSER FIX PLATE						1	
18		40072171		Y TIMING BELT						2	
19		B2534223C00		X DRIVEN WHEEL						1	
20		40072129		Y BELT PRESSER FIX PLATE LEFT						1	
21		40072128		Y BELT PRESSER F-IX PLATE RIGHT						1	
22		B2539223C00		X IDLER SHAFT						1	
23		40072120		X-LM GUIDE(4530)						2	
24		40072122		X DRIVE BRACKET BASE						1	
25		WP0531000SD		WASHER M5						4	
26		40072156		X DRIVEN BRACKET BASE 4530						1	
27		40072124		Y FEED BASE A						2	
28		40072125		Y FEED BASE B						1	
29		40072126		Y DRIVE SPROCKET						2	
30		B2548223C00		Y DRIVEN WHEEL						1	
31		B2549223C00		COLLAR						1	
32		SM6031002TP		HEXAGONAL BOLT M3 X 10						8	
33		40072131		X SLIT PLATE 4530						1	
34		40086384		BEARING SUPPORT ASM.						2	
35		23618606		BEARING SUPPORT				*		1	
36		SS8660612TP		SCREW 1/4-40 L=6				*		2	
37		NM6050001SP		NUT M5						1	
38		WP0531000SD		WASHER M5						12	
39		RE0600000K0		E-RING 6						2	
40		HD00057000A		PHOTO SENSOR						2	
41		SL4031091SC		SCREW M3 X 10						2	
42		SM6040802TP		SCREW M4X0.7 L=8						4	
43		SB108000500		RADIAL BEARING						2	
44		SB115000600		BALL BEARING						6	
45		WP0430800SD		WASHER M4						4	
46		SB117000900		BEARING						4	

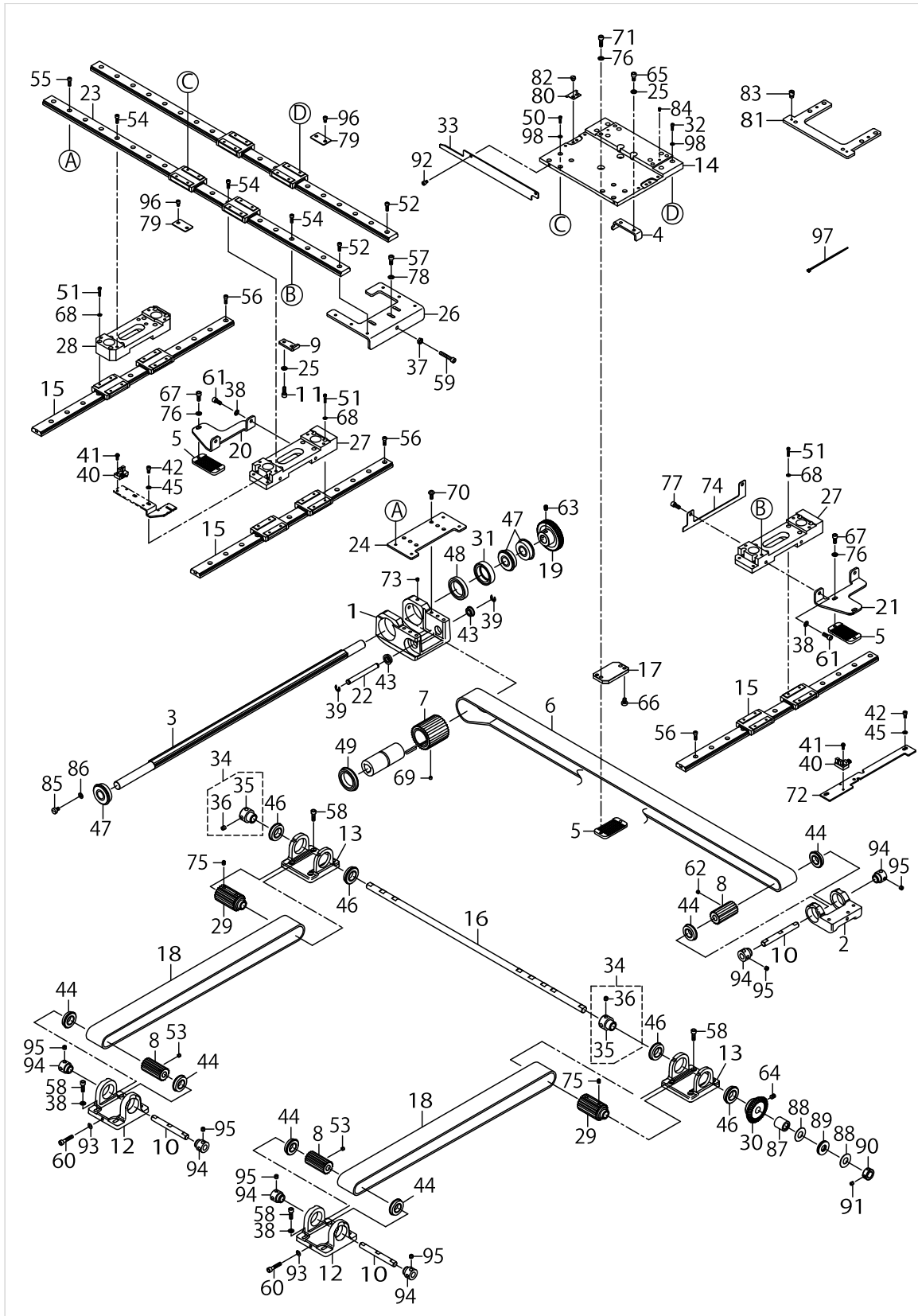
X-Y COMPONENTS (1)(FOR 4530)



X-Y COMPONENTS (1)(FOR 4530)

No.	Supply Code	Parts No.	Replacement	Parts name	Remarks	Choice	Step	Level	Cons	Qty	Rep. QTY
47		B1802180000		BUSHING, FRONT						3	
48		SB130000200		BEARING						1	
49		SB130000300		BEARING						1	
50		SM6030602TP		SCREW M3X0.5 L=6						8	
51		SM6031402TP		SCREW						24	
52		SM6041202TP		SCREW M4X0.7 L=12						6	
53		SM8050412TP		SCREW M5 L=4						4	
54		SM6041202TP		SCREW M4X0.7 L=12						12	
55		SM6041202TP		SCREW M4X0.7 L=12						4	
56		SM6041202TP		SCREW M4X0.7 L=12						21	
57		SM6051202TP		SCREW M5X0.8 L=12						3	
58		SM6051602TP		SCREW M5X0.8 L=16						16	
59		SM6053052TN		SCREW						1	
60		SM6052502TP		SCREW M5X0.8 L=25						2	
61		SM6051202TP		SCREW M5X0.8 L=12						4	
62		SM8050412TP		SCREW M5 L=4						2	
63		SM8060802TP		SCREW M6 L=8						2	
64		SM8060812TP		SCREW M6 L=8						2	
65		SM6051002TP		SCREW M5X0.8 L=10						2	
66		SM6050800SP		SCREW M5 L=8						2	
67		SM6051202TP		SCREW M5X0.8 L=12						4	
68		WP0320501SD		WASHER						24	
69		SM8050412TP		SCREW M5 L=4						2	
70		SM4051255SP		SCREW.,M5 L=12.						6	
71		SM6051602TP		SCREW M5X0.8 L=16						2	
72		40072209		YSENSOR INSTALLING PLATE						1	
73		SM8050412TP		SCREW M5 L=4						2	
74		40072133		Y SLIT PLATE						1	
75		SM8050612TP		SCREW M5X6						8	
76		WP0531000SD		WASHER M5						6	
77		SM6050652TP		HEXAGON SOCKET HEAD SCREW M5X6						2	
78		WP0531000SD		WASHER M5						3	
79		B4022221D00		FLAT CABLE CLAMP						2	
80		B1158224C00		COVER PRESSER						2	
81		40072127		LOWER PLATE INSTALLING PLATE						1	
82		SM6040450TP		SCREW M4 L=4						4	
83		B151902600G		HINGE STUD						2	
84		B1816280000		GUIDE PIN						2	
85		SM6050800SP		SCREW M5 L=8						1	
86		WP0531000SD		WASHER M5						1	
87		SB312000600		BEARING						1	
88		13887005		THRUST WASHER						2	
89		SB612000100		BEARING						1	
90		CS1200981TP		THRUST COLLAR D=12 W=9						1	
91		SM8050592TP		SCREW						2	
92		SM6040602TP		SCREW M4 L=6						2	

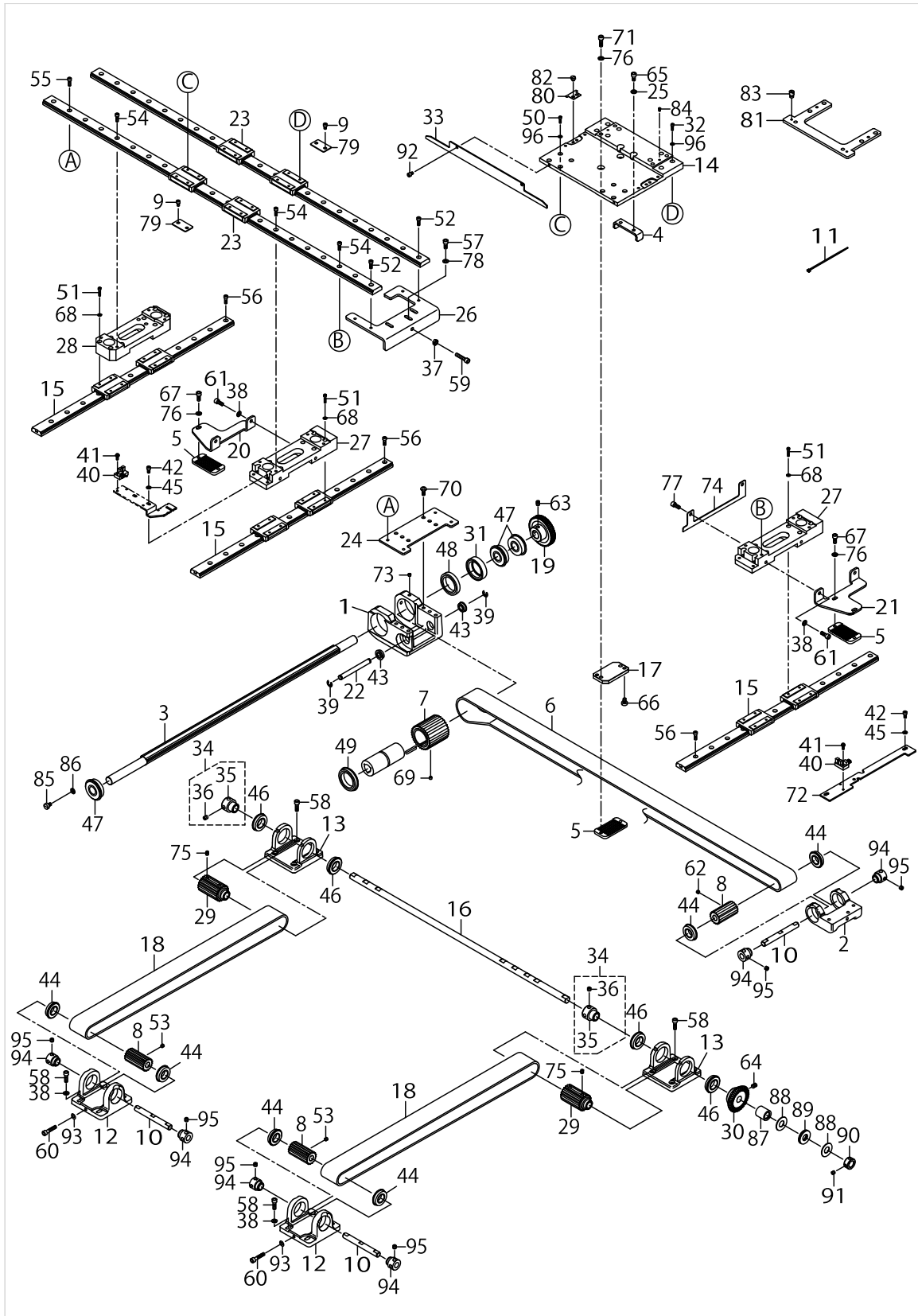
X-Y COMPONENTS (1)(FOR 4530)



X-Y COMPONENTS (1)(FOR 4530)

No.	Supply Code	Parts No.	Replacement	Parts name	Remarks	Choice	Step	Level	Cons	Qty	Rep. QTY
93		WP0531000SD		WASHER M5						2	
94		40072227		BEARING_BUSH						6	
95		SM8060552TP		SCREW M6 L=5						12	
96		SM6040602TP		SCREW M4 L=6						4	
97		EA9500B0100		CABLE BAND						3	
98		WP0320501SD		WASHER						16	

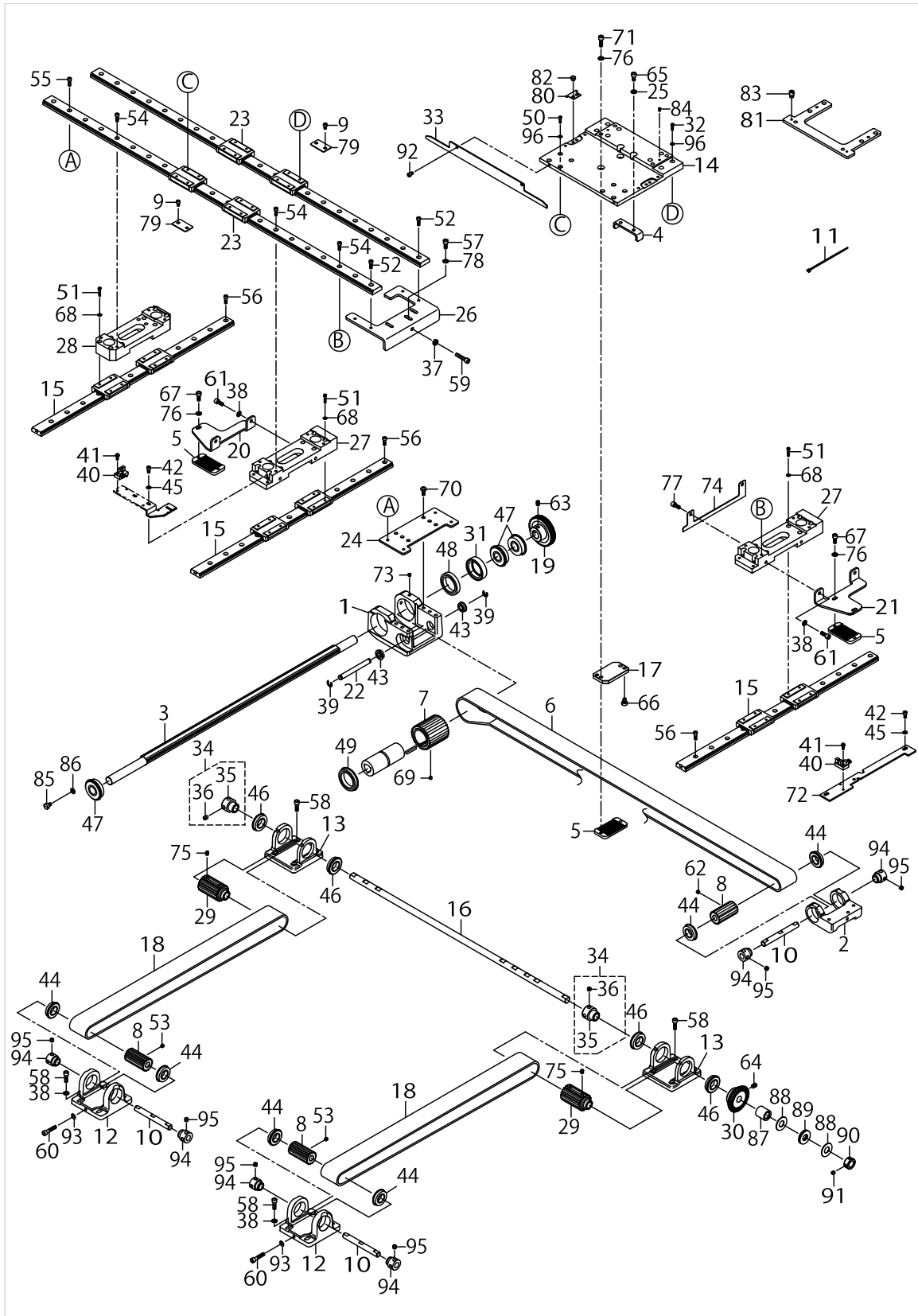
X-Y COMPONENTS (2)(FOR 6030)



X-Y COMPONENTS (2)(FOR 6030)

No.	Supply Code	Parts No.	Replacement	Parts name	Remarks	Choice	Step	Level	Cons	Qty	Rep. QTY
1		40072160		X_DRIVE_BRACKET						1	
2		40072113		X DRIVEN BRACKET						1	
3		40072115		X DRIVE SPLINE SHAFT						1	
4		40072153		X STOPPER 6030						1	
5		40072166		BELT RECEIVER						3	
6		40072170		X TIMING BELT(6030)						1	
7		40072167		X DRIVE SPROCKET						1	
8		40072168		DRIVEN SPROCKET						3	
9		SM6040602TP		SCREW M4 L=6						4	
10		40072226		DRIVEN_SHAFT						3	
11		EA9500B0100		CABLE BAND						3	
12		40072114		Y DRIVEN BRACKET						2	
13		40072112		Y DRIVE BRACKET						2	
14		40072116		X FEED BASE						1	
15		40072117		Y-LM GUIDE						4	
16		40072118		Y DRIVE SHAFT						1	
17		40072119		X BELT PRESSER FIX PLATE						1	
18		40072171		Y TIMING BELT						2	
19		B2534223C00		X DRIVEN WHEEL						1	
20		40072129		Y BELT PRESSER FIX PLATE LEFT						1	
21		40072128		Y BELT PRESSER FIX PLATE RIGHT						1	
22		B2539223C00		X IDLER SHAFT						1	
23		40072121		X-LM GUIDE(6030)						2	
24		40072122		X DRIVE BRACKET BASE						1	
25		WP0531000SD		WASHER M5						2	
26		40072123		X DRIVEN BRACKET BASE(6030)						1	
27		40072124		Y FEED BASE A						2	
28		40072125		Y FEED BASE B						2	
29		40072126		Y DRIVE SPROCKET						2	
30		B2548223C00		Y DRIVEN WHEEL						1	
31		B2549223C00		COLLAR						1	
32		SM6031002TP		HEXAGONAL BOLT M3 X 10						8	
33		40072132		X SLIT PLATE 6030						1	
34		40086384		BEARING SUPPORT ASM.						2	
35		23618606		BEARING SUPPORT				*		1	
36		SS8660612TP		SCREW 1/4-40 L=6				*		2	
37		NM6050001SP		NUT M5						1	
38		WP0531000SD		WASHER M5						12	
39		RE0600000K0		E-RING 6						2	
40		HD00057000A		PHOTO SENSOR						2	
41		SL4031091SC		SCREW M3 X 10						2	
42		SM6040802TP		SCREW M4X0.7 L=8						4	
43		SB108000500		RADIAL BEARING						2	
44		SB115000600		BALL BEARING						6	
45		WP0430800SD		WASHER M4						4	
46		SB117000900		BEARING						4	

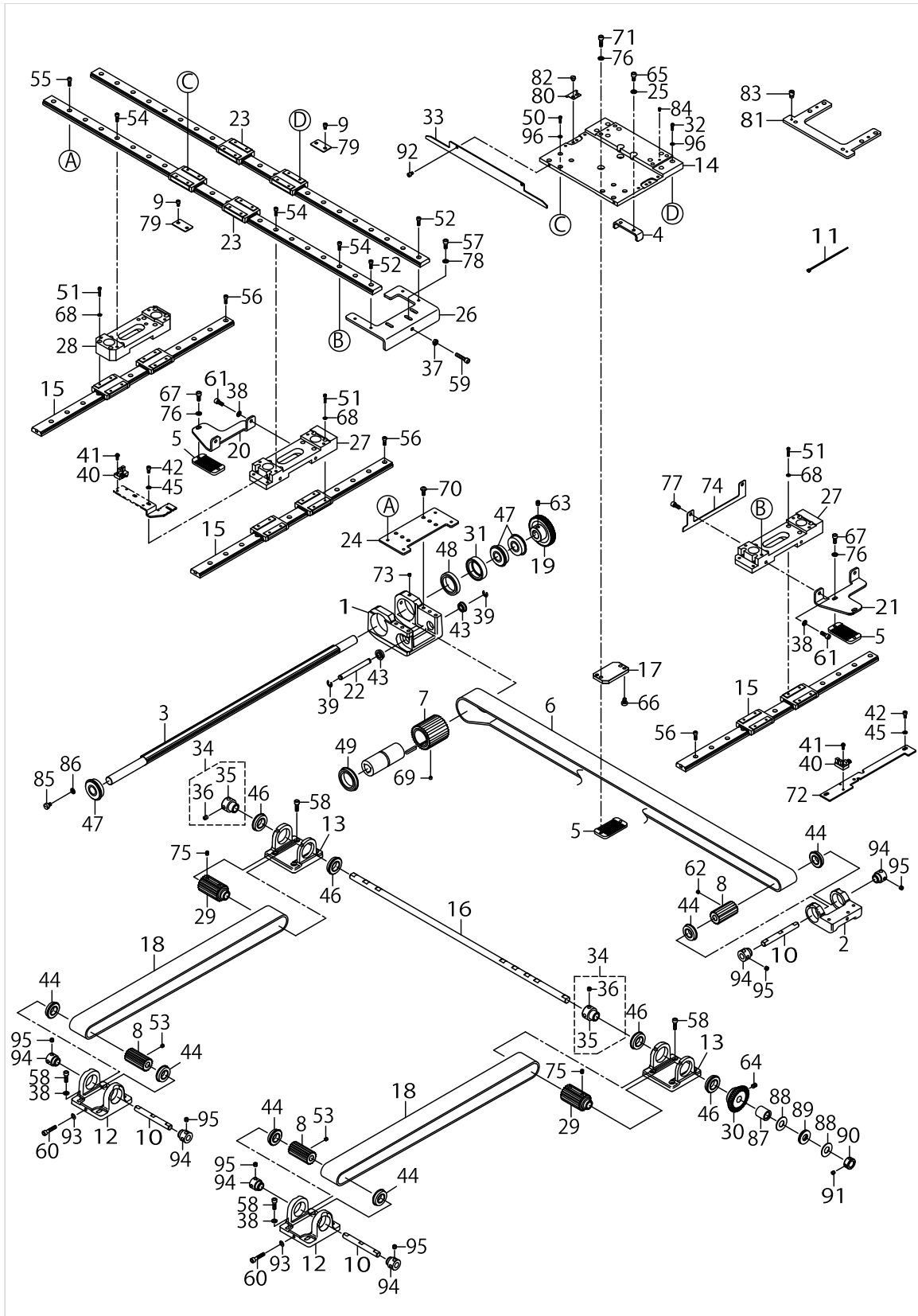
X-Y COMPONENTS (2)(FOR 6030)



X-Y COMPONENTS (2)(FOR 6030)

No.	Supply Code	Parts No.	Replacement	Parts name	Remarks	Choice	Step	Level	Cons	Qty	Rep. QTY
47		B1802180000		BUSHING, FRONT						3	
48		SB130000200		BEARING						1	
49		SB130000300		BEARING						1	
50		SM6030602TP		SCREW M3X0.5 L=6						8	
51		SM6031402TP		SCREW						32	
52		SM6041202TP		SCREW M4X0.7 L=12						4	
53		SM8050412TP		SCREW M5 L=4						4	
54		SM6041202TP		SCREW M4X0.7 L=12						12	
55		SM6041202TP		SCREW M4X0.7 L=12						4	
56		SM6041202TP		SCREW M4X0.7 L=12						28	
57		SM6051202TP		SCREW M5X0.8 L=12						3	
58		SM6051602TP		SCREW M5X0.8 L=16						16	
59		SM6052502TP		SCREW M5X0.8 L=25						1	
60		SM6052502TP		SCREW M5X0.8 L=25						2	
61		SM6051202TP		SCREW M5X0.8 L=12						4	
62		SM8050412TP		SCREW M5 L=4						2	
63		SM8060802TP		SCREW M6 L=8						2	
64		SM8060812TP		SCREW M6 L=8						2	
65		SM6051002TP		SCREW M5X0.8 L=10						2	
66		SM6050800SP		SCREW M5 L=8						2	
67		SM6051202TP		SCREW M5X0.8 L=12						4	
68		WP0320501SD		WASHER						32	
69		SM8050412TP		SCREW M5 L=4						2	
70		SM4051255SP		SCREW.,M5 L=12.						6	
71		SM6051602TP		SCREW M5X0.8 L=16						2	
72		40072209		YSENSOR INSTALLING PLATE						1	
73		SM8050412TP		SCREW M5 L=4						2	
74		40072133		Y SLIT PLATE						1	
75		SM8050612TP		SCREW M5X6						8	
76		WP0531000SD		WASHER M5						6	
77		SM6050652TP		HEXAGON SOCKET HEAD SCREW M5X6						2	
78		WP0531000SD		WASHER M5						3	
79		B4022221D00		FLAT CABLE CLAMP						2	
80		B1158224C00		COVER PRESSER						2	
81		40072127		LOWER PLATE INSTALLING PLATE						1	
82		SM6040450TP		SCREW M4 L=4						4	
83		B151902600G		HINGE STUD						2	
84		B1816280000		GUIDE PIN						2	
85		SM6050800SP		SCREW M5 L=8						1	
86		WP0531000SD		WASHER M5						1	
87		SB312000600		BEARING						1	
88		13887005		THRUST WASHER						2	
89		SB612000100		BEARING						1	
90		CS1200981TP		THRUST COLLAR D=12 W=9						1	
91		SM8050592TP		SCREW						2	
92		SM6040602TP		SCREW M4 L=6						2	

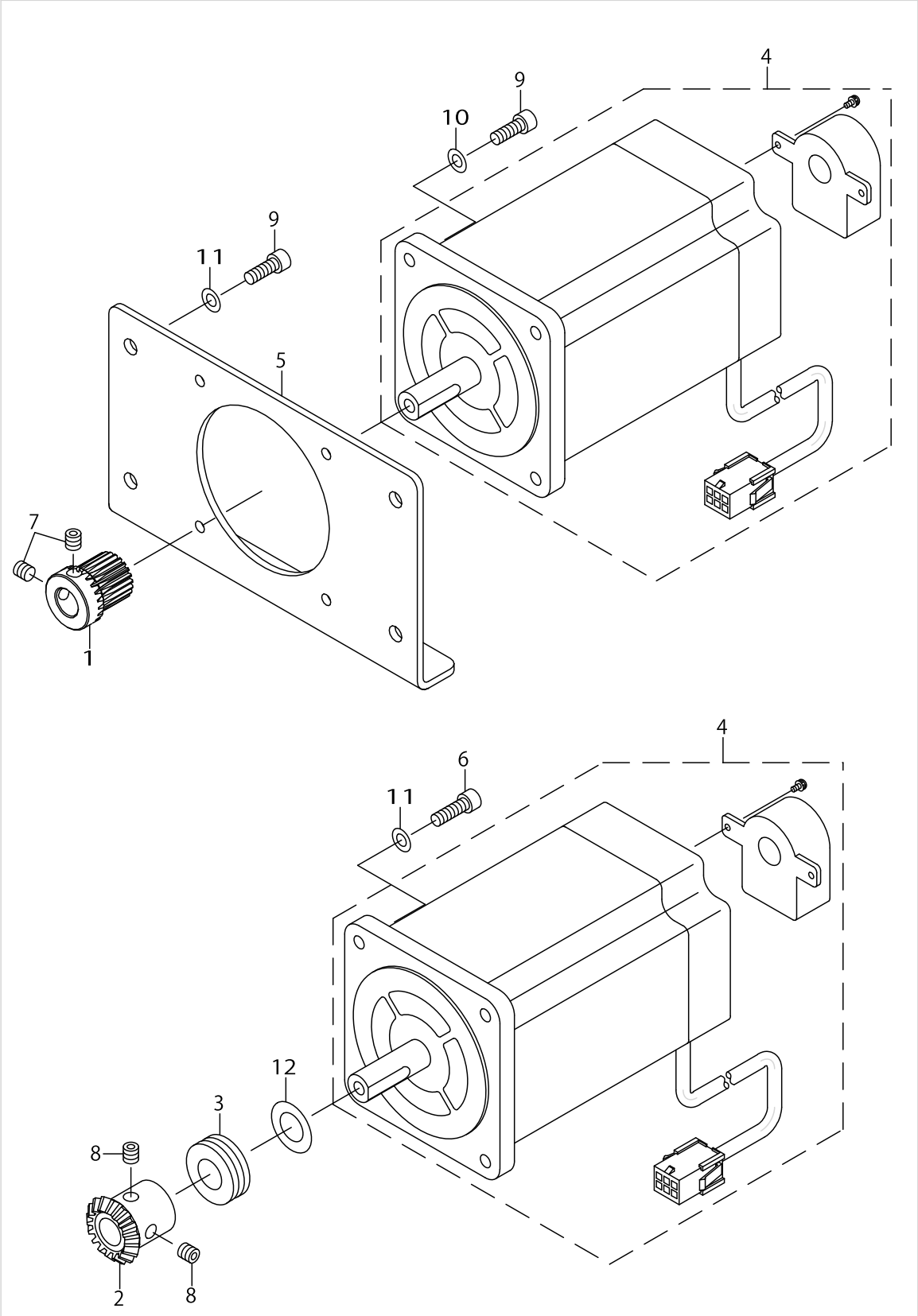
X-Y COMPONENTS (2)(FOR 6030)



X-Y COMPONENTS (2)(FOR 6030)

No.	Supply Code	Parts No.	Replacement	Parts name	Remarks	Choice	Step	Level	Cons	Qty	Rep. QTY
93		WP0531000SD		WASHER M5						2	
94		40072227		BEARING_BUSH						6	
95		SM8060552TP		SCREW M6 L=5						12	
96		WP0320501SD		WASHER						16	

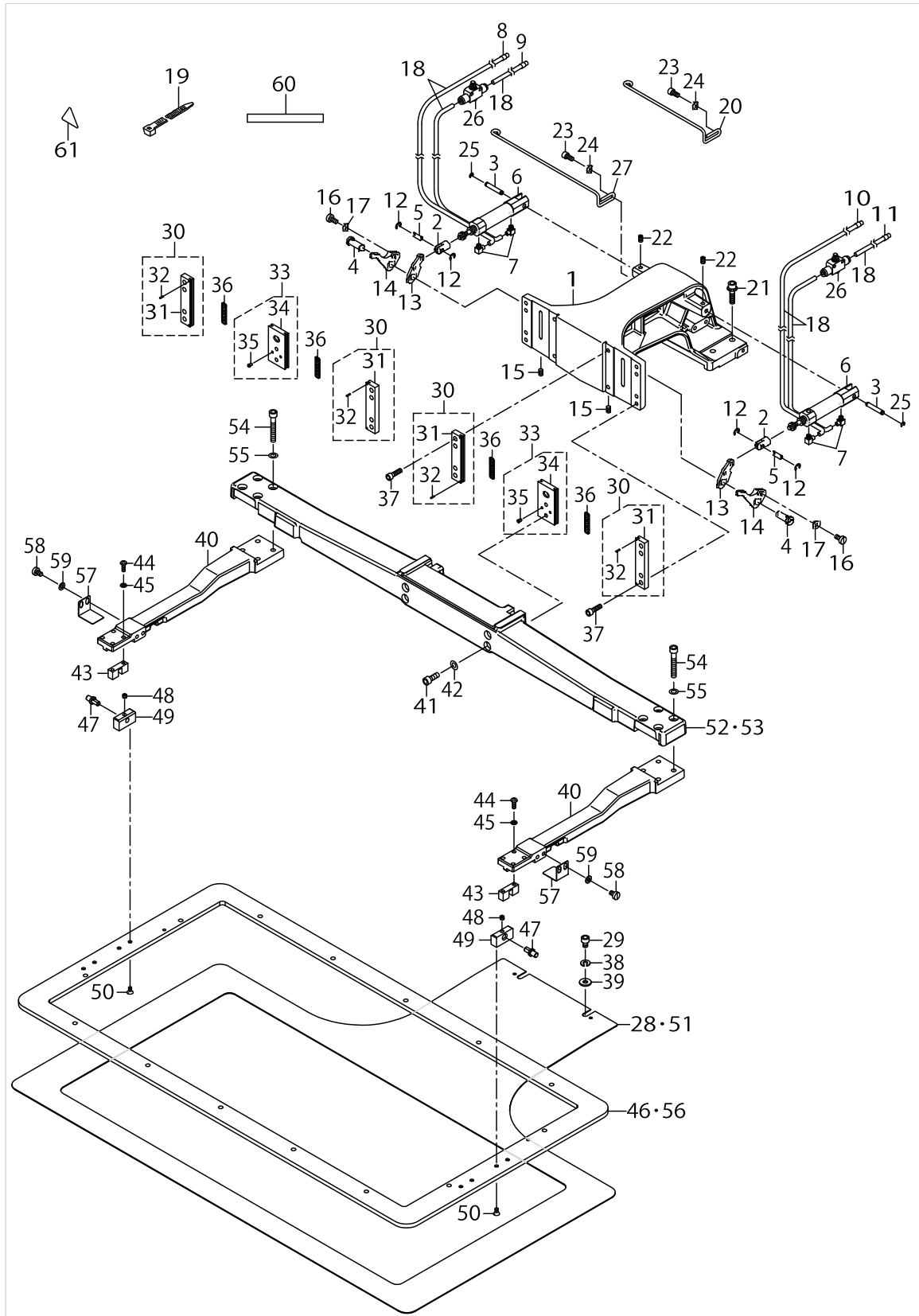
X-Y COMPONENTS (3)



X-Y COMPONENTS (3)

No.	Supply Code	Parts No.	Replacement	Parts name	Remarks	Choice	Step	Level	Cons	Qty	Rep. QTY
1		B2525223C00		X DRIVE WHEEL						1	
2		B2526223C00		Y DRIVE WHEEL						1	
3		SB412000100		BEARING						1	
4		40104419		ENCODER MOTOR ASM.(X-Y)						2	
5		40072155		X MOTOR INSTALLING PLATE						1	
6		SM6051602TP		SCREW M5X0.8 L=16						4	
7		SM8060602TP		SCREW M6X6						2	
8		SM8060602TP		SCREW M6X6						2	
9		SM6051402TP		SCREW M5X0.8 L=14						8	
10		WP0531000SD		WASHER M5						4	
11		WP0531000SD		WASHER M5						8	
12		B2537221D00		Y DRIVE WHEEL SPACER						3	

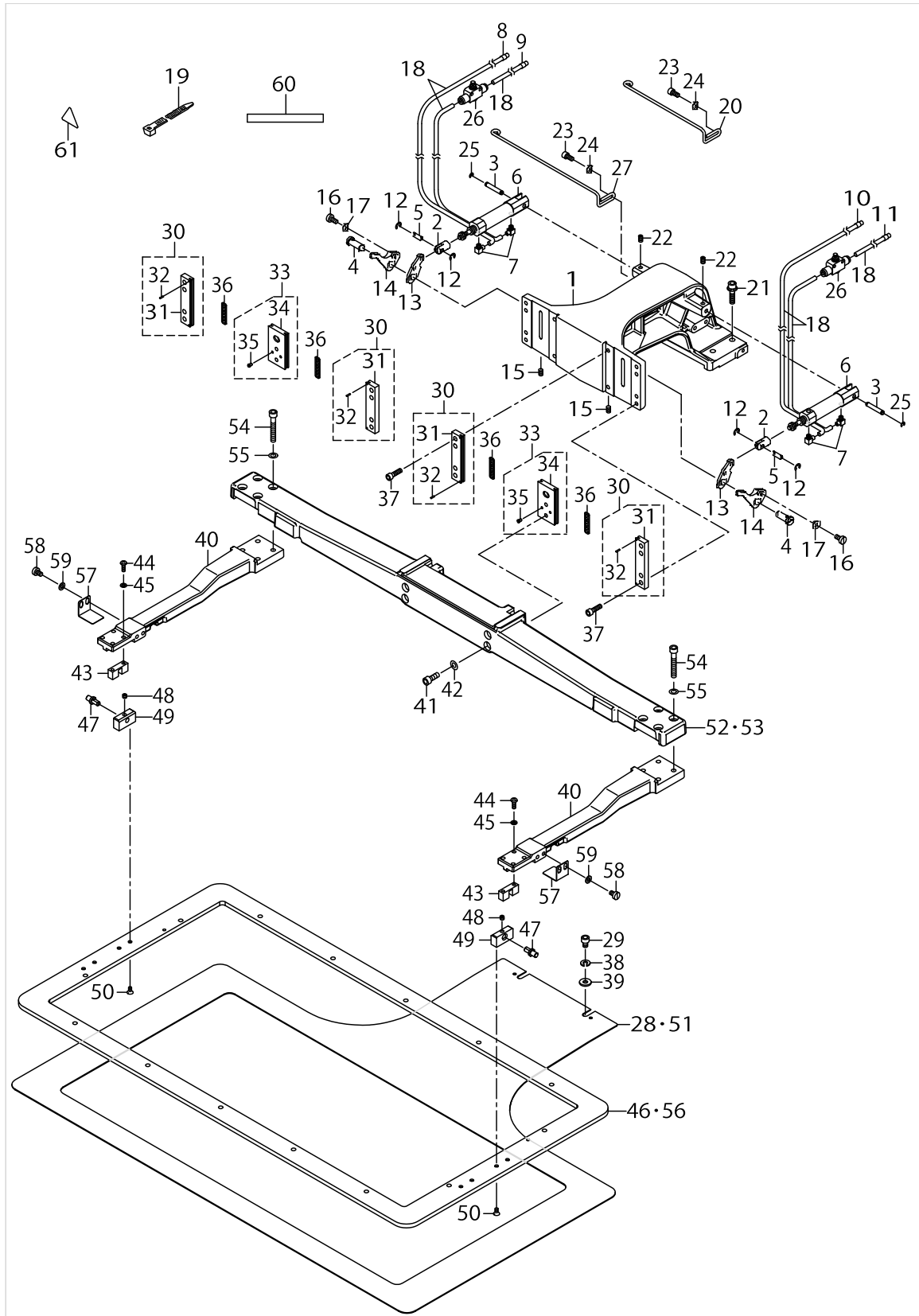
CLOTH FEED MECHANISM COMPONENTS



CLOTH FEED MECHANISM COMPONENTS

No.	Supply Code	Parts No.	Replacement	Parts name	Remarks	Choice	Step	Level	Cons	Qty	Rep. QTY
1		40072135		CLOTH FEED BASE						1	
2		40023644		CYLINDER KNUCKLE						2	
3		B1504210000		CONNECTING SHAFT						2	
4		26023408		FEED STUD						2	
5		40023635		CYLINDER PIN						2	
6		PA1602509A0		AIR CYLINDER						2	
7		PJ046052503		HOSE ELBOW						4	
8		B471122000C		AIR TUBE LABEL J03 LEFT						1	
9		B471122000D		AIR TUBE LABEL J04 LEFT						1	
10		B471122000G		AIR TUBE LABEL J03 RIGHT						1	
11		B471122000H		AIR TUBE LABEL J04 RIGHT						1	
12		RE0300000K0		E-RING 3						4	
13		40032229		LIFTING_LEVER_A						2	
14		40085820		LIFTING_LEVER_B						2	
15		SM8050812TP		SCREW M5X8						2	
16		SM6051000SP		SCREW						2	
17		WP0531000SD		WASHER M5						2	
18		BT0400251EB		URETHANE HOSE, BLACK						4	
19		HX002330000		CLIP						10	
20		B2568223C00		AIR TUBE SUPPORT						1	
21		SL6062592TN		SCREW						4	
22		SM8050812TP		SCREW M5X8						2	
23		SM6051002TP		SCREW M5X0.8 L=10						4	
24		WP0531000SD		WASHER M5						4	
25		RE0320000K0		E-RING 3.2						2	
26		PC012401000		SPEED CONTROLLER						2	
27		B2568224C00		AIR TUBE SUPPORT A						1	
28		40072136		LOWER PLATE 4530	FOR AMS-- 224E-4530					1	
29		SM6060802TP		SCREW M6 L=8						2	
30		B2567223CA0		WORK CLAMP FOOT PLATE B ASM.						4	
31	R	B2567223C00	B2567223CA0	WORK CLAMP FOOT PLATE B				*		4	1.00
32		PS0150065KP		SPRING PIN 1.5X6				*		8	
33		40085830		SLIDE_PLATE_ASM.						2	
34		40085824		SLIDE_PLATE				*		2	
35		B1816280000		GUIDE PIN				*		4	
36		B2569229000		SLIDING PLATE BEARING						4	
37		SM6051802TP		SCREW M5 L=18						12	
38		WS0610002KP		SPRING WASHER						2	
39		WP0611626SP		WASHER 15X6X1.6						2	
40		40072163		FEEDING_FRAME_ARM.B						2	
41		SM6061602TP		SCREW M6 L=16						4	
42		WP0641600SC		WASHEW6.4X12.5X1.6						4	
43		40051770		FEEDING FRAME BALL CATCH						2	
44		SM4041255SP		SCREW M4 L=12						4	
45		WP0430800SD		WASHER M4						4	

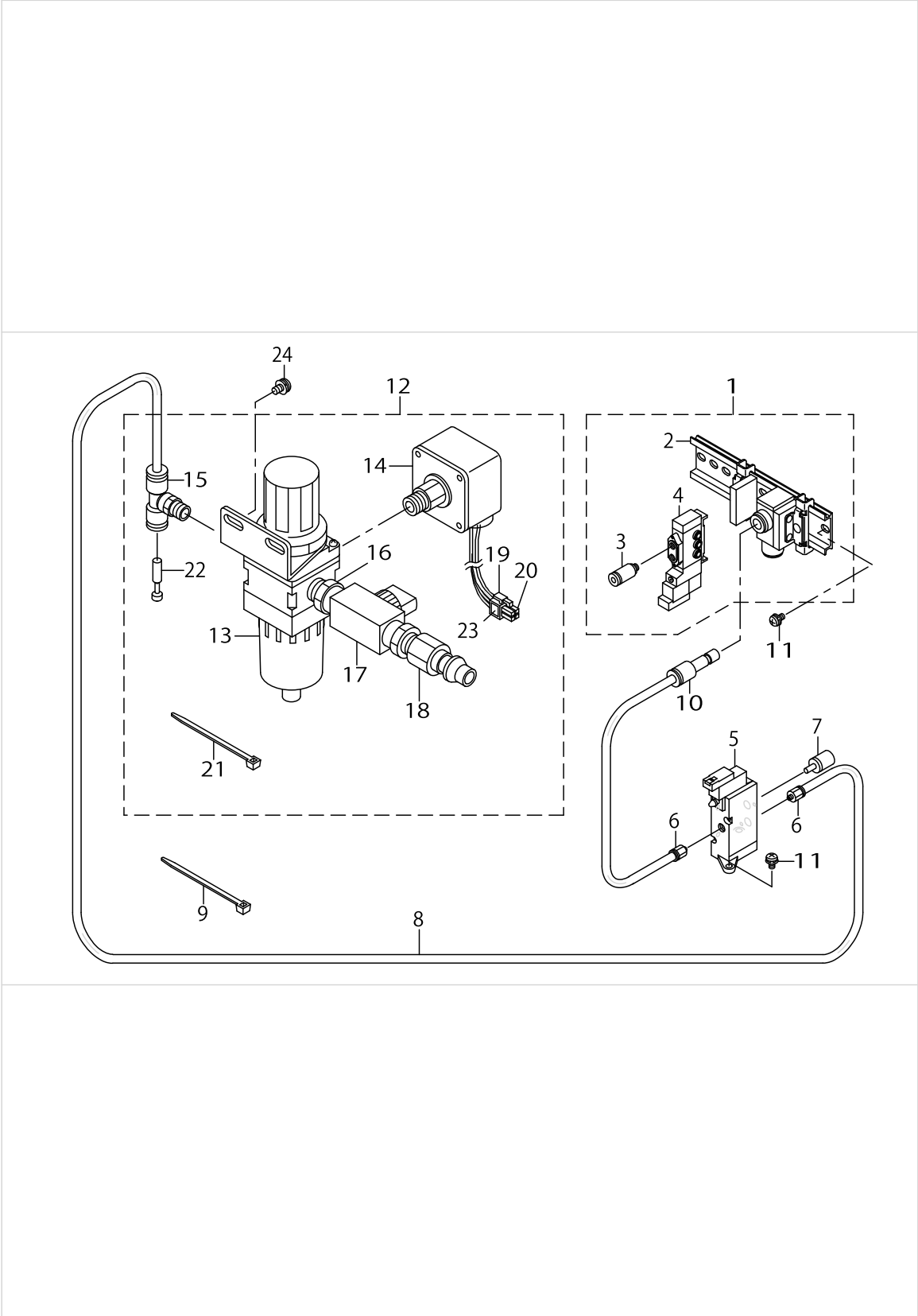
CLOTH FEED MECHANISM COMPONENTS



CLOTH FEED MECHANISM COMPONENTS

No.	Supply Code	Parts No.	Replacement	Parts name	Remarks	Choice	Step	Level	Cons	Qty	Rep. QTY
46		40072138		FEEDING FRAME 4530	FOR AMS-- 224E-4530					1	
47		B2560220000		SUPPORT PIN						2	
48		SM8050412TP		SCREW M5 L=4						2	
49		40051769		FEEDING FRAME S- UPPORT BEARING						2	
50		SM1040870TP		SCREW						4	
51		40072137		LOWER PLATE 6030	FOR AMS-- 224E-6030					1	
52		40072161		FEEDING_FRAME_ARM_A_4530	FOR AMS-- 224E-4530					1	
53		40072162		FEEDING_FRAME_ARM_A_6030	FOR AMS-- 224E-6030					1	
54		SM6062502TN		HEXAGONAL-HOLE BOLT						8	
55		WP0641600SC		WASHEW6.4X12.5X1.6						8	
56		40072139		FEEDING FRAME 6030	FOR AMS-- 224E-6030					1	
57		B2563215000		FEEDING FRAME HOLDING PLATE						2	
58		SM6050800SP		SCREW M5 L=8						4	
59		WP0531000SD		WASHER M5						4	
60		HX00364000E		PARTS						1.2	
61		CM300200003		ATTENTION LABEL	FOR AMS-- 224E-6030					1	

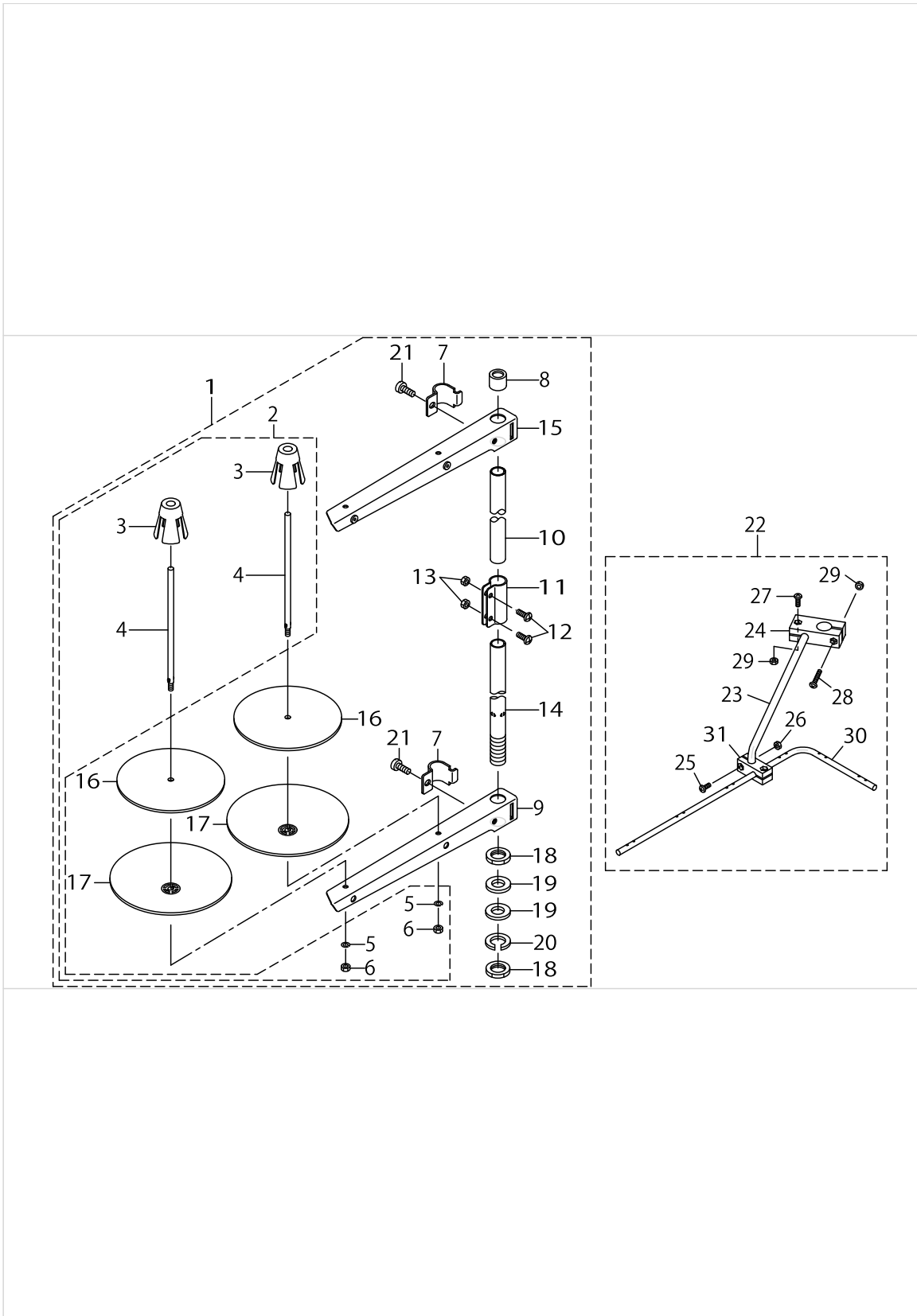
PNEUMATIC COMPONENTS



PNEUMATIC COMPONENTS

No.	Supply Code	Parts No.	Replacement	Parts name	Remarks	Choice	Step	Level	Cons	Qty	Rep. QTY
1		40072220		SOLENOID_VALVE_ASM						1	
2		PV915005000		SOLENOID VALVE I- NSTALLING BASE				*		1	
3		PJ301040505		HALF UNION				*		2	
4		PV150209100		SOLENOID VALVE				*		1	
5		PV1351270A0		3-WAY SOLENOID VALVE						1	
6		PJ301065103		HALF UNION 6XPT1/8						2	
7		PX055104000		SILENCER (PT1/8)						1	
8		BT0600401EB		TUBE						1.1	
9		EA9500B0100		CABLE BAND						1	
10		PJ301060003		REDUCER						1	
11		SL4040891SC		SCREW M4 L=8						4	
12		B47152150A0		FILTER REGULATOR ASM.						1	
13		PF0552040B0		FILTER REGULATOR				*		1	
14	R	G8124270000	G85048750A0	AIRPRESSUESWITCH		A	AVP-875	*		1	1.00
14	R	G8124270000	40030951	AIRPRESSUESWITCH		B	AMS-210E- N,AMS-221EN	*		1	1.00
14	R	G8124270000	B47152150A0	AIRPRESSUESWITCH		C	MEB-3200,- LK-1910/2- 0/30/41,AMS-224E	*		1	1.00
15		PJ305065202		TEE				*		1	
16		PJ030520001		RING JOINT (NIPPLE)				*		1	
17	R	G5430116000	40030951	AIR COCK				*		1	1.00
18		PJ309005203		QUICK JOINT PLUG				*		1	
19		HK034610040		HOUSING				*		1	
20		HK034640000		PIN CONTACT				*		3	
21		EA9500B0100		CABLE BAND				*		5	
22		PX950009000		PLUG				*		1	
23	D	E2678453000		CONNECTOR MARKER J78				*		1	
24		SL4051091SC		SCREW M5X0.8 L=10						2	

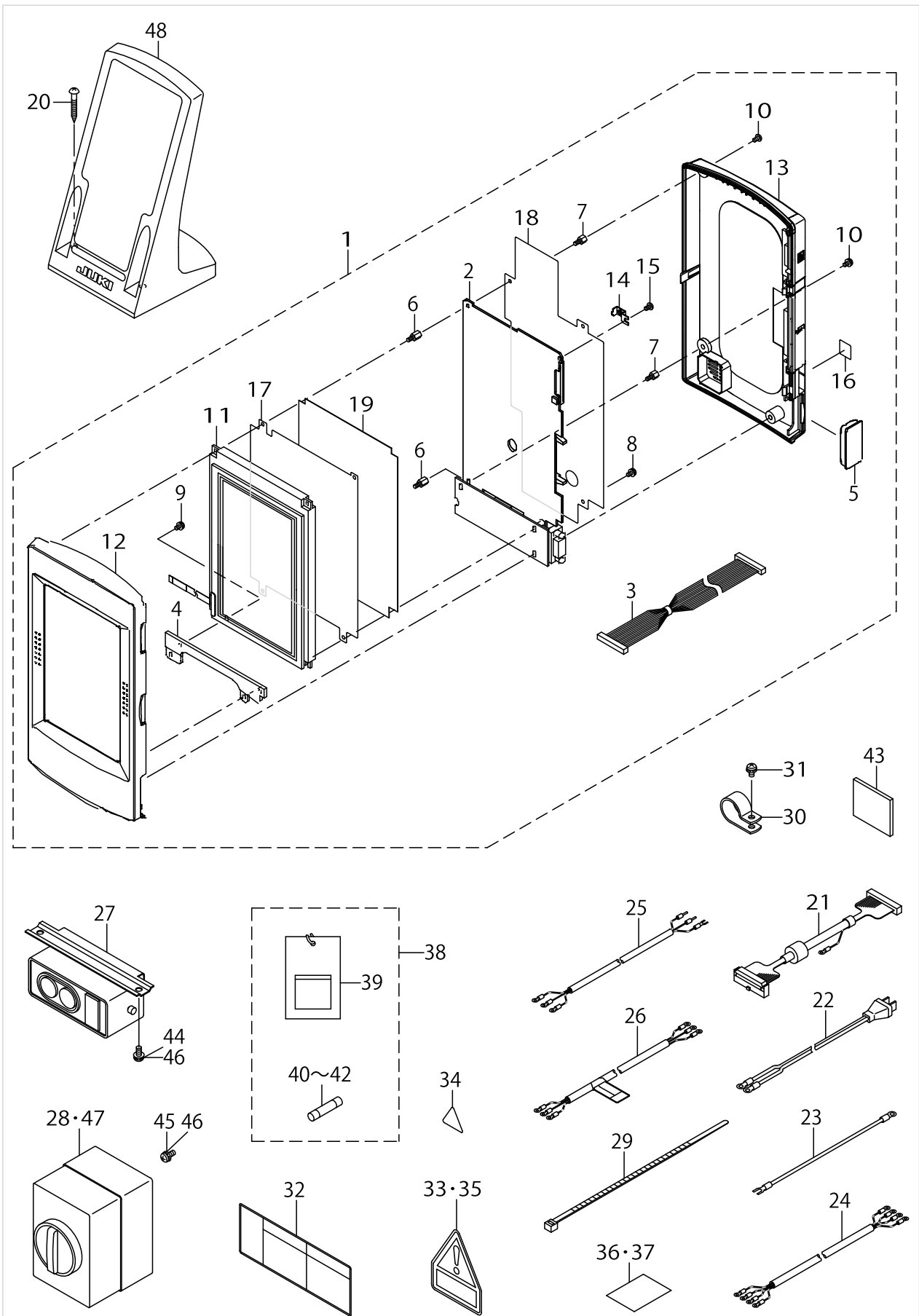
THREAD STAND COMPONENTS



THREAD STAND COMPONENTS

No.	Supply Code	Parts No.	Replacement	Parts name	Remarks	Choice	Step	Level	Cons	Qty	Rep. QTY
1	R	22930358	40096354	THREAD STAND ASM.						1	1.00
2		40062684		SPOOL PIN ASM.				*		1	
3	R	22931109	40085791	SPOOL RETAINER				*		2	1.00
4	R	22931000	40085790	SPOOL PIN				*		2	1.00
5		WS0510002KN		SPRING WASHER				*		2	
6		NM6050001SE		NUT M5				*		2	
7	R	22930705	40096354	THREAD GUIDE ARM JOINT				*		2	1.00
8		22931406		SPOOL REST ROD RUBBER CAP				*		1	
9	R	22930507	40096354	SPOOL REST ARM				*		1	1.00
10	R	22930408	40096354	SPOOL REST ROD, UPPER				*		1	1.00
11	R	22931307	40096354	SPOOL REST ROD JOINT				*		1	1.00
12		SM4051405SE		SCREW M5 L=14				*		2	
13		NM6050001SE		NUT M5				*		2	
14	R	22930309	40096354	SPOOL REST ROD, LOWER				*		1	1.00
15	R	22930556	40096354	THREAD STANDING ARM ASM.				*		1	1.00
16		22930903		SPOOL REST CUSHION				*		2	
17		22930804		SPOOL REST				*		2	
18		NM6160511SE		NUT M16X1.5				*		2	
19		WP1612616SE		WASHER 16X30X2.6				*		2	
20	R	WS1643202KR	WP1612616SE	SPRING WASHER		A		*		1	2.00
20	R	WS1643202KR	40085796	SPRING WASHER		A		*		1	2.00
21		SM6061610SC		SCREW M6 L=16				*		2	
22		26910059		THREAD GUIDE ARM ASM.						1	
23	R	13168109	26910059	THREAD GUIDE ARM BASE				*		1	1.00
24	R	13168208	26910059	THREAD GUIDE ARM BASE				*		1	1.00
25		SM4041001SC		SCREW M4X0.7 L=10				*		2	
26		NM6040002SE		NUT M4X0.7				*		2	
27		SM4041201SC		SCREW M4 L=12				*		1	
28		SM4042001SC		SCREW M4 X 20				*		1	
29		NM6040002SE		NUT M4X0.7				*		2	
30	R	13167903	26910059	THREAD STANDING THREAD GUIDE				*		1	1.00
31	D R	13168000	26910059	THREAD GUIDE BASE, LOWER				*		1	1.00

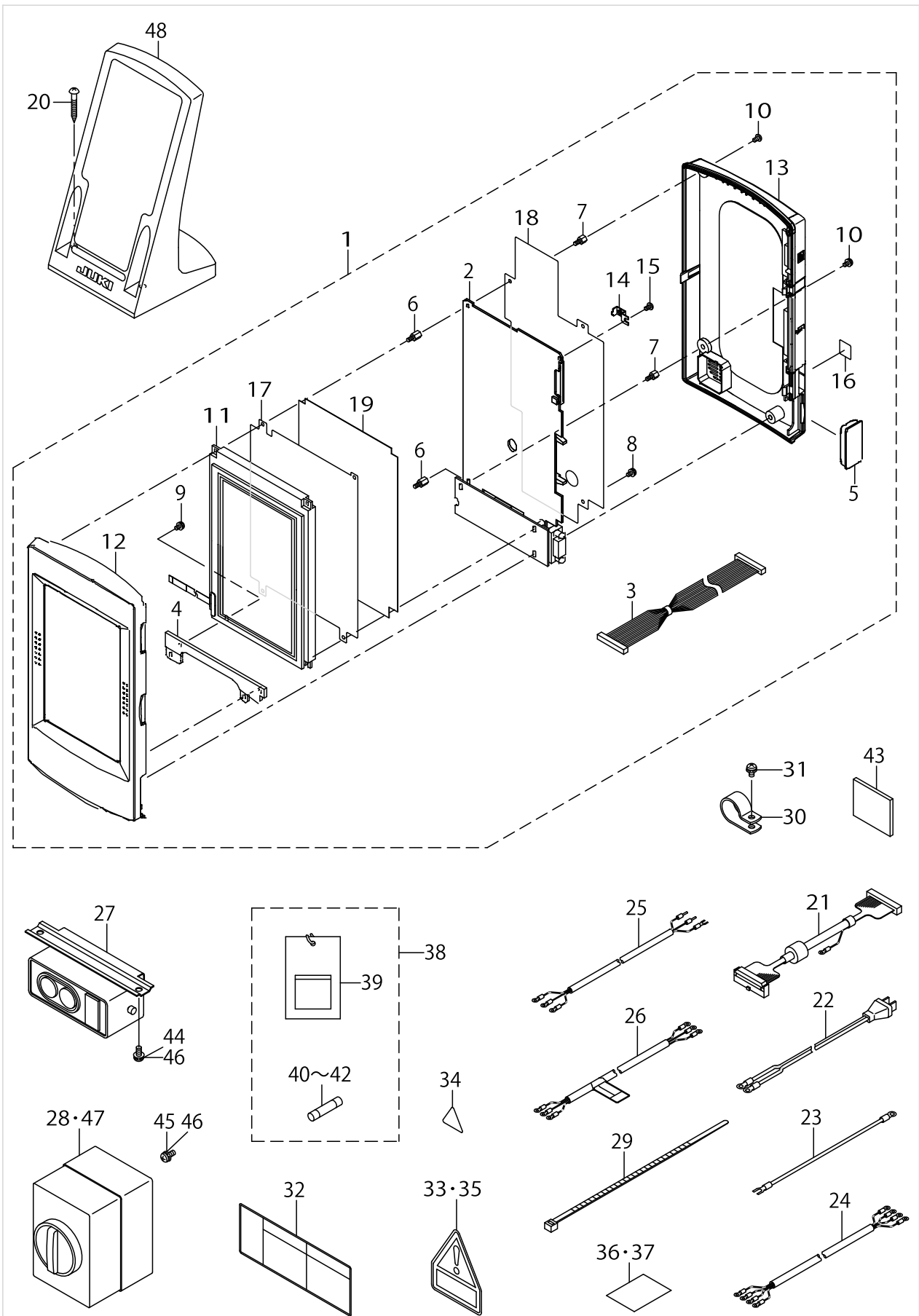
OPERATION PANEL COMPONENTS



OPERATION PANEL COMPONENTS

No.	Supply Code	Parts No.	Replacement	Parts name	Remarks	Choice	Step	Level	Cons	Qty	Rep. QTY
1	R	40077848	40112003	IP-410H PANEL ASSY						1	1.00
2		40076012		PANEL PCB B A ASSY				*		1	
3		40000146		LCD CABLE ASSY				*		1	
4		40030926		LCD HOLDER BOARD				*		1	
5		40005848		D-SUB 9P COVER				*		1	
6		HX00354000N		SPACER				*		5	
7		HX00354000S		SPACER				*		2	
8		SL4030691SC		SCREW M3X6				*		1	
9		SL4030691SC		SCREW M3X6				*		2	
10		SM4030501SF		SCREW M3 L=5				*		4	
11	R	40051330	40086485	IP-410_LCD_ASSY		A	IP-410F	*		1	1.00
11	R	40051330	40112936	IP-410_LCD_ASSY		B	IP-410B	*		1	1.00
11	R	40051330	40112003	IP-410_LCD_ASSY		C	IP-410H	*		1	1.00
11	R	40051330	40101221	IP-410_LCD_ASSY		D	IP-310G	*		1	1.00
11	R	40051330	40105233	IP-410_LCD_ASSY		E	IP-310C	*		1	1.00
11	R	40051330	40105353	IP-410_LCD_ASSY		F	IP-310D	*		1	1.00
11	R	40051330	40112935	IP-410_LCD_ASSY		G	IP-310A	*		1	1.00
12		40046076		IP-410_FRONT_CASE_ASSY				*		1	
13		40076009		REAR CASE B ASSY				*		1	
14		40044971		REAR_CASE_PLATE				*		1	
15		SM4030501SF		SCREW M3 L=5				*		1	
16		CM600100101		WEEE MARK LABEL S				*		1	
17		40076031		EMC SHIELDING SHEET C				*		1	
18		40076032		EMC SHIELDING SHEET D				*		1	
19	R	40000140	40059378	ISOLATION_SHEET		D	FOR ACF	*		1	1.00
19	R	40000140	40101221	ISOLATION_SHEET				*		1	1.00
19	R	40000140	40105353	ISOLATION_SHEET				*		1	1.00
19	R	40000140	40112935	ISOLATION_SHEET				*		1	1.00
19	R	40000140	40105233	ISOLATION_SHEET				*		1	1.00
20		SK3413201SE		WOOD SCREW D=4.1 L=32						2	
21		40073679		PANEL CABLE ASSY L						1	
22		M90355800A0		POWER SOURCE CORD ASM.	FOR USE IN JAPAN(1-- PHASE 100V)					1	
23		M90345800A0		GROUND CORD ASM.	FOR USE IN JAPAN(1-- PHASE 100V)					1	
24		40079638		POWER CABLE ASM.	FOR USE IN JAPAN(3-- PHASE 20-0V), JUS(3--PHASE 220V)					1	
25		40079639		JE POWER CABLE ASM	FOR CE(1-- PHASE 230V)					1	
26		40079640		SINGLE PHASE POWER CORD ASSY	GENERAL EXPORT (1--PHASE 2-20V/230V/240V)					1	
27		HA004250000		SWITCH	EXCEPT CE(1--PHASE 230V)					1	
28		HA005820000		SWITCH	FOR CE(1--PHASE 230V),4530					1	
29		HX00065000A		CABLE CLIP						2	

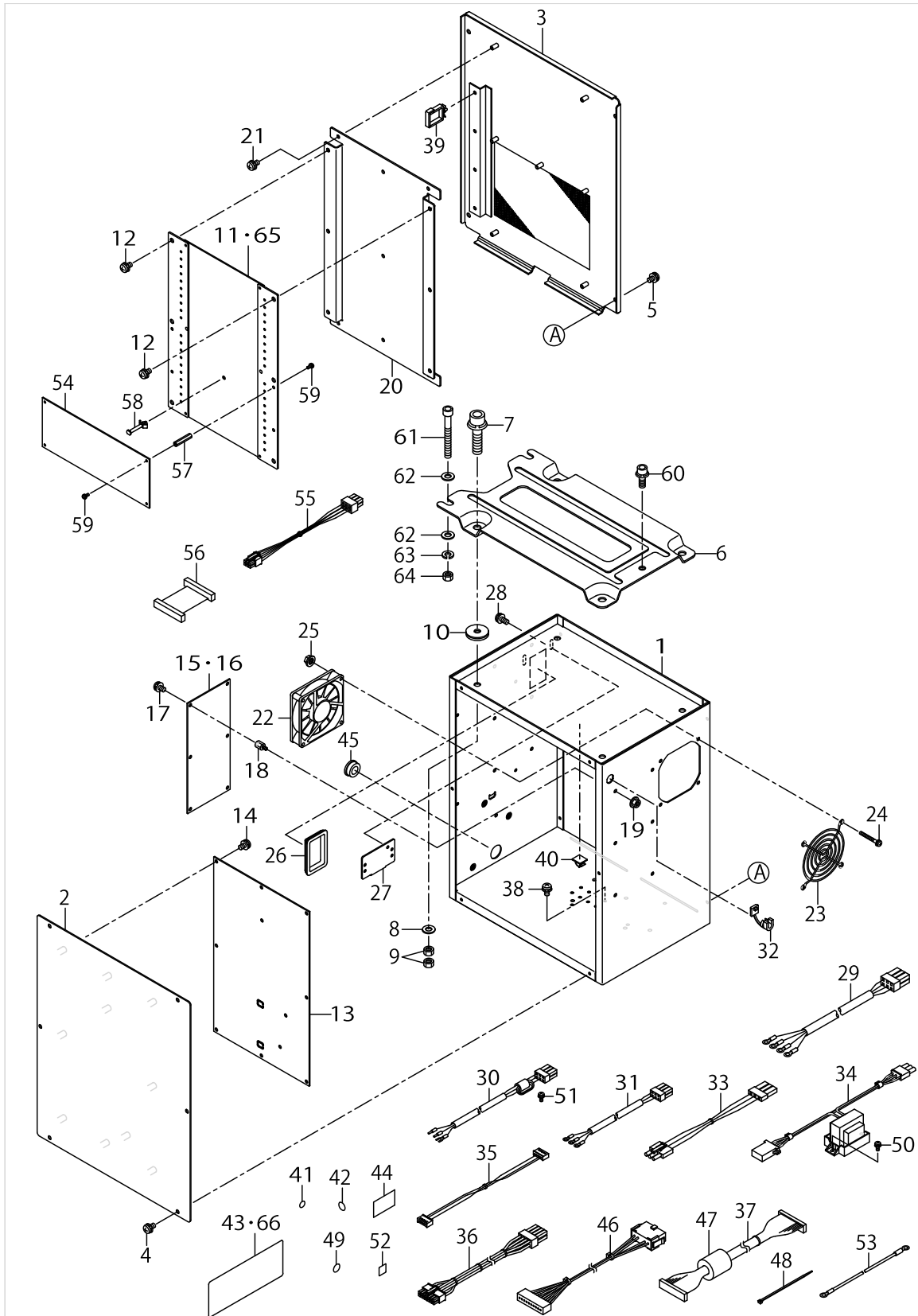
OPERATION PANEL COMPONENTS



OPERATION PANEL COMPONENTS

No.	Supply Code	Parts No.	Replacement	Parts name	Remarks	Choice	Step	Level	Cons	Qty	Rep. QTY
30		HX00150000J		CLIP						2	
31		SL4040691SC		SCREW M4 L=6						2	
32		CM300100401		LABEL 3 (LARGE)	FOR USE IN JAPAN (1--PHASE 100V,3-PHASE 200V), JUS(3-PHASE 220V)					1	
33		CM300400701		VOLTAGE CAUTION LABEL	FOR USE IN JAPAN(3--PHASE 200V), JUS(3--PHASE 220V)					1	
34		CM300100003		VOLTAGE WARNING LABEL(25)	FOR CE(1--PHASE 230V), GENERAL EXPORT (1-PHASE 220V/230V/240V)					1	
35		CM300400601		VOLTAGE CAUTION LABEL	FOR CE(1--PHASE 230V), GENERAL EXPORT (1-PHASE 220V/230V/240V)					1	
36		BME01100000		VOLTAGE INDICATION SEAL	FOR USE IN JAPAN(1--PHASE 100V)					1	
37		BME03200000		VOLTAGE INDICATION SEAL	FOR USE IN JAPAN(3--PHASE 200V), JUS(3--PHASE 220V)					1	
38		40074051		OPTION A ASSY						1	
39		M300451100A		VOLTAGE INDICATION CARD,A				*		1	
40		HF00130315S		FUSE 3.15A 250V REF. NO.112				*		1	
41		HF003000200		FUSE 2A (220/240V)				*		1	
42		HF0013050P0		FUSE 5A				*		1	
43		40050647		COMPACTFLASH(T-M) SET AMS221E						1	
44		SL4040891SC		SCREW M4 L=8	FOR 4530					2	
45		SL4041091SC		SCREW M4 L=10	FOR CE(1--PHASE 230V)					2	
46		SK3512001SE		WOOD SCREW D=5.1 L=20	FOR 6030					2	
47		M85125810A0		POWER SWITCH ASM.	FOR 6030					1	
48		40035024		OPERATION_BOX_FIXED_PLATE(B) ASM.						1	

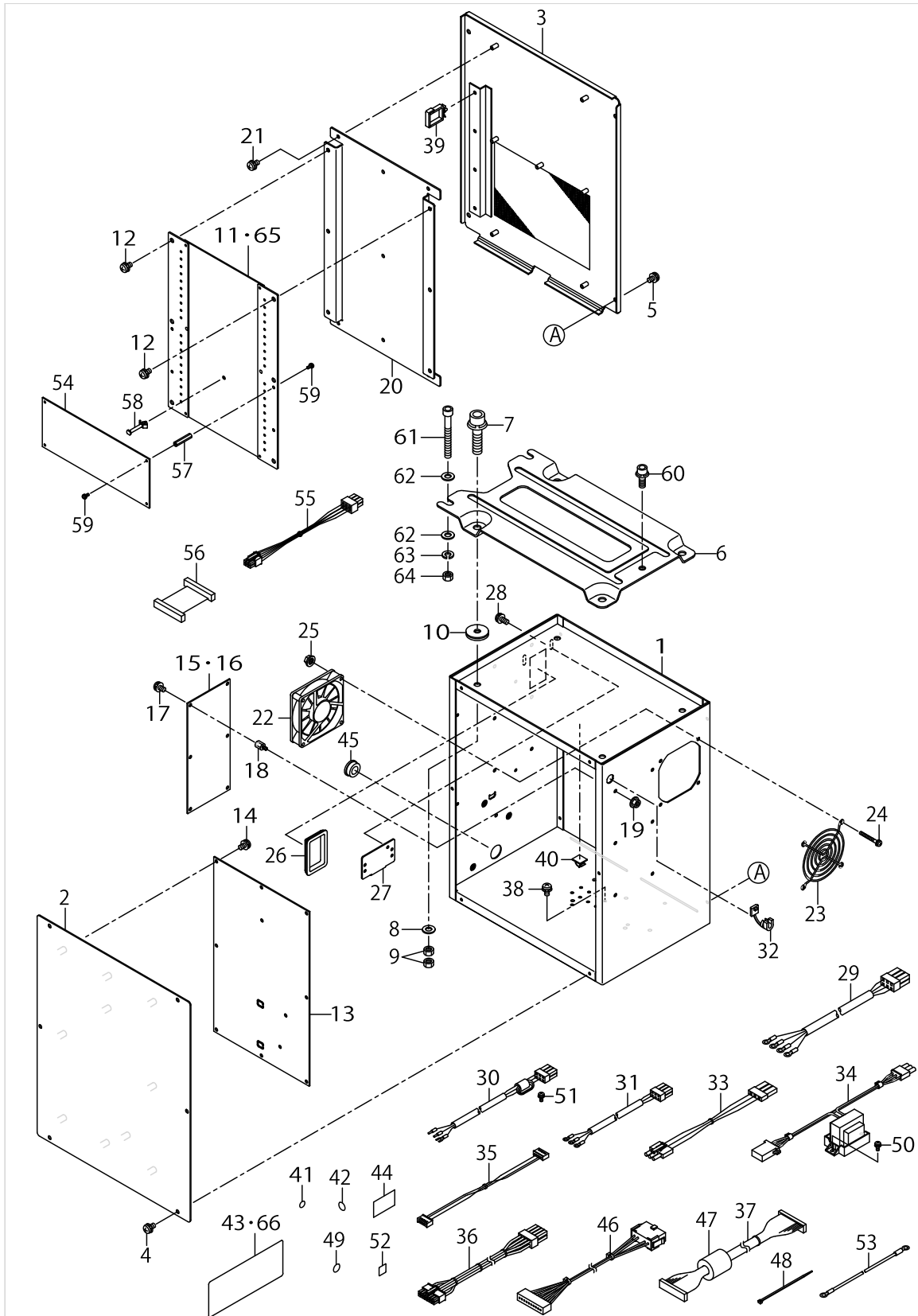
CONTROL BOX COMPONENTS



CONTROL BOX COMPONENTS

No.	Supply Code	Parts No.	Replacement	Parts name	Remarks	Choice	Step	Level	Cons	Qty	Rep. QTY
1		40055355		CONTROL BOX						1	
2		40055356		CONTROL BOX FRONT COVER						1	
3		40055357		CONTROL BOX REAR COVER						1	
4		SL4040891SC		SCREW M4 L=8						6	
5		SL4040891SC		SCREW M4 L=8						4	
6		M3801476000		CONTROL BOX FITTING PLATE						1	
7		SL6083092TN		SCREW						4	
8		WP0841601SC		WASHER 8.4X17.4X1.6						4	
9		NM6080001SC		NUT M8X1.25						8	
10		M4206461000		WASHER						4	
11		40073650		MAIN PCB ASSY	FOR 4530					1	
12		SL4040891SC		SCREW M4 L=8						6	
13	R	40000029	40082758	SDC PCB A ASS'Y						1	1.00
14		SL4040881SC		SCREW M4 L=8						10	
15		40000056		FLT-T PCB A ASS'Y	FOR USE IN JAPAN (1-- PHASE 10-0V,1-PHASE 200V), JUS(3-PHASE 200V)					1	
16	R	40000046	40162838	FLT-S PCB A ASS'Y	FOR CE,GENERAL EXPORT					1	1.00
17		SL4040881SC		SCREW M4 L=8						6	
18		HX003390000		STUD						6	
19		NM3040520SC		NUT M4						6	
20		40005706		MAIN PCB HOLDER PLATE						1	
21		SL4040881SC		SCREW M4 L=8						5	
22		40005401		FAN MOTOR ASS'Y						1	
23		KM000000480		FAN MOTOR						1	
24		SL4043591SC		SCREW						4	
25		NM3040520SC		NUT M4						4	
26		HX004070000		BUSH						1	
27		17845009		CORD FITTING PLATE						1	
28		SL4041091SC		SCREW M4 L=10						2	
29		40073683		POWER CORD 3P ASSY	FOR USE IN JAPAN (1-- PHASE 10-0V,1-PHASE 200V), JUS(3-PHASE 200V)					1	
30		40005392		POWER CORD 1P ASS'Y	FOR CE					1	
31		40073684		POWER CORD 1P 220V ASSY	GENERAL EXPORT					1	
32		HX00410000A		STRAIN RELIEF BUSHING						1	
33		40005393		FLT-SDC CORD P ASS'Y	FOR USE IN JAPAN (1-- PHASE 10-0V,1-PHASE 200V), JUS(3-PHASE 200V), GENERAL EXPORT					1	
34		40012038		REACTOR CORD ASSY	FOR CE					1	
35		40005394		FLT-SDC CORD S ASS'Y						1	

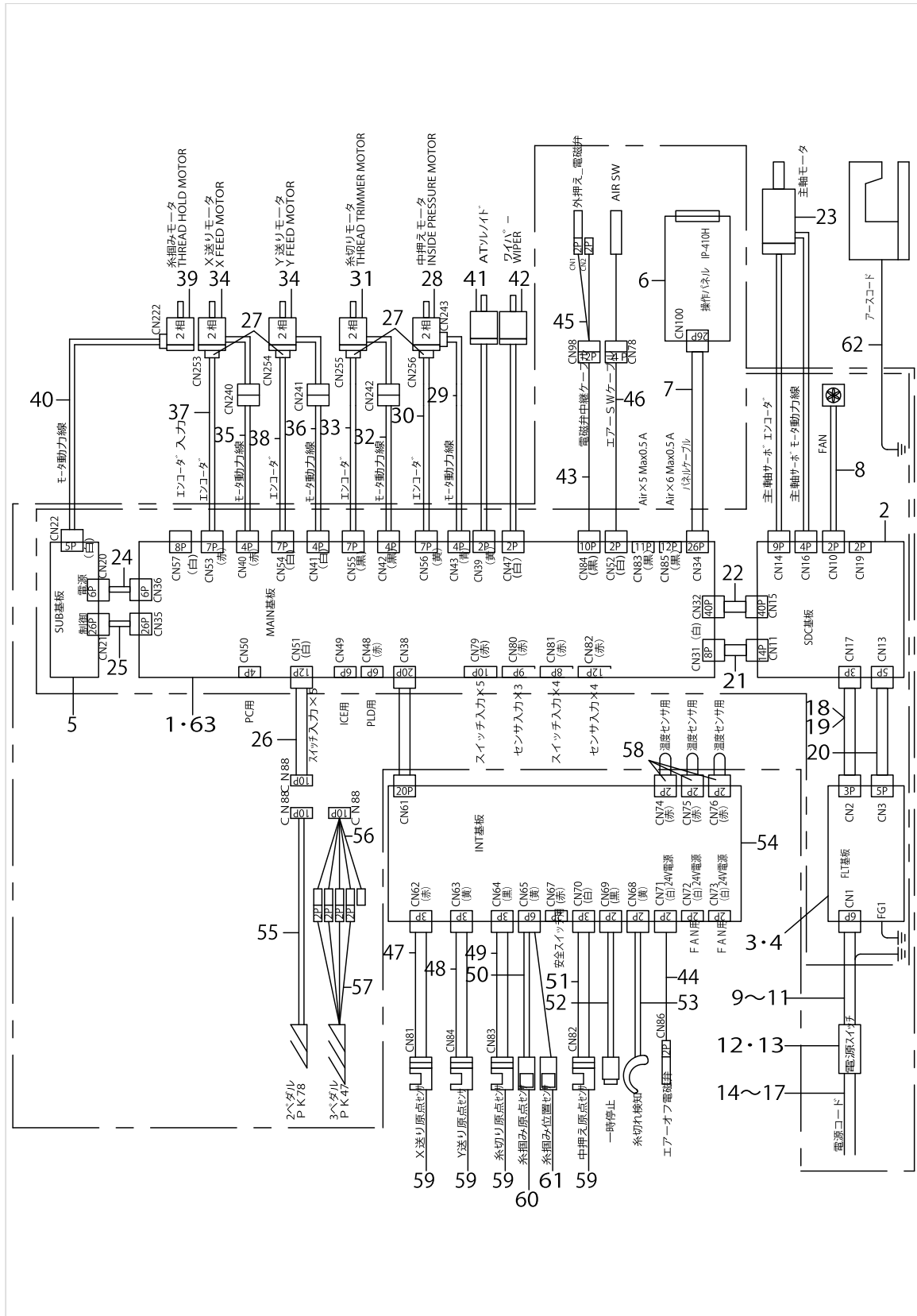
CONTROL BOX COMPONENTS



CONTROL BOX COMPONENTS

No.	Supply Code	Parts No.	Replacement	Parts name	Remarks	Choice	Step	Level	Cons	Qty	Rep. QTY
36		40005726		SDC-MAIN CORD P ASSY						1	
37		40005727		SDC-MAIN CORD S ASSY						1	
38		SL4040891SC		SCREW M4 L=8						4	
39		HX005110000		WIRE SADDLE						3	
40		E9607603000		STICKER (SMALL)						1	
41		E9567319000		EARTH MARK						1	
42		40003458		MASK SEAL						16	
43		40051640		ELECTRICAL_RATING_LABEL_UNIVERSAL	FOR USE IN JAPAN (1-PHASE 100V, 1-PHASE 200V), JUS(3-PHASE 200V), GENERAL EXPORT					1	
44		40018948		MASK SEAL R						1	
45		HX00326000K		GROMMET						1	
46		40073659		SWRELAYCORDASM.						1	
47		HN001490000		CLAMP FILTER(L)						1	
48		EA9500B0100		CABLE BAND						1	
49		CM200100001		PE MARK LABEL	FOR CE					1	
50		SL4041091SC		SCREW M4 L=10	FOR CE					2	
51		SL4041081SC		SCREW M4 L=10	FOR CE					1	
52		CM600100101		WEEE MARK LABEL S	FOR CE					1	
53		M90295800A0		FDD EARTH CORD ASM.						1	
54		40073651		SUB PCB ASSY						1	
55		40062367		SUB-MAIN CORD P ASSY						1	
56		40062368		SUB-MAIN CORD S ASSY						1	
57		HX00418000E		SPACER						4	
58		HX00147000J		SPACER						1	
59		SL4030881SC		SCREW M3X8						8	
60		SL6082092TN		BOLT						1	
61		SM6087002TN		SCREW M8 L=70						2	
62		WP0841601SC		WASHER8.4X17.4X1.6						4	
63		WS0820002KN		SPRING WASHER M8						2	
64		NM6080001SC		NUT M8X1.25						2	
65		40077782		MAIN PCB ASSY	FOR 6030- 6030用					1	
66	D	40057278		ELECTRICAL_RATING_LABEL_CE_UNIVERSAL	FOR CE					1	

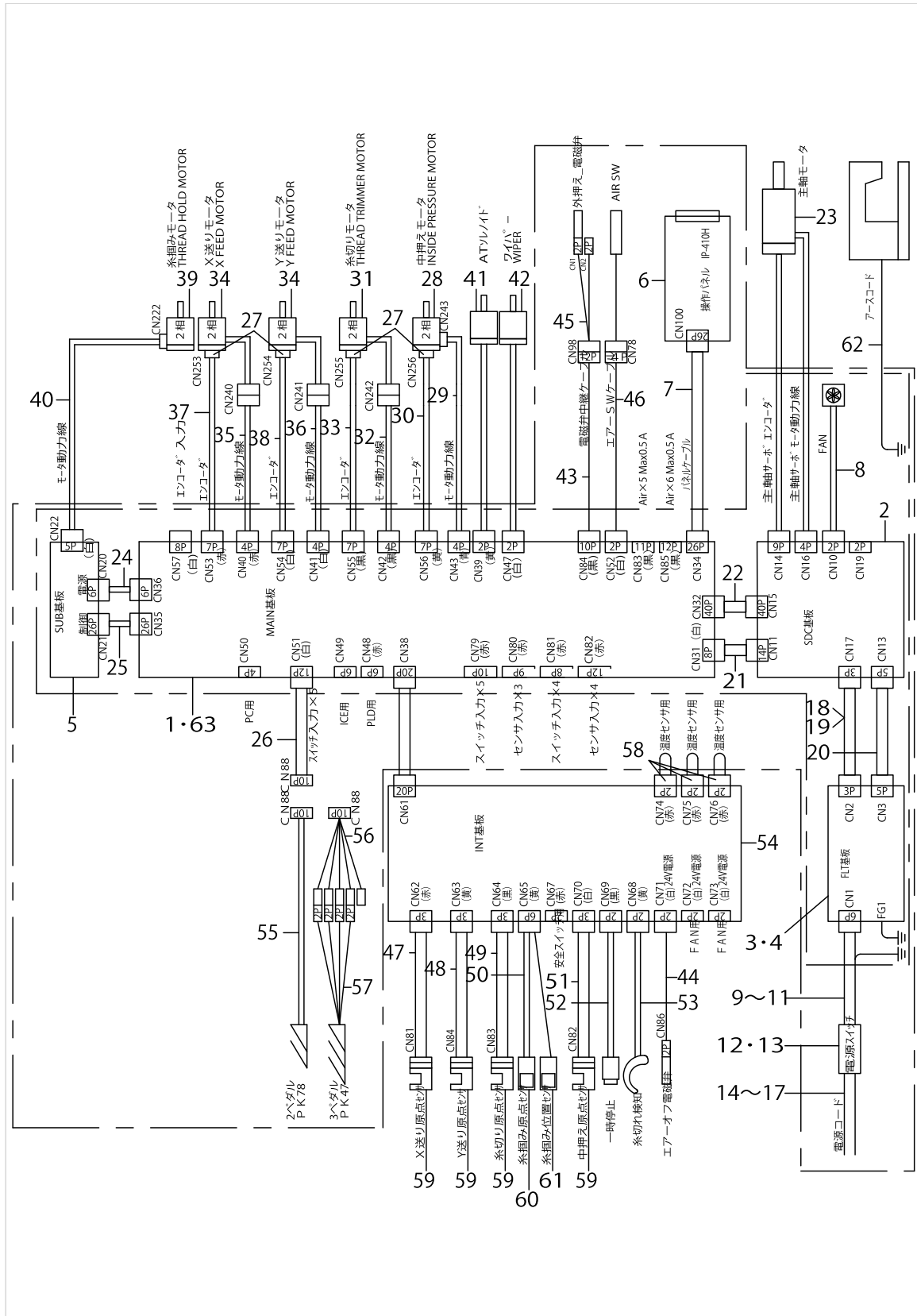
WIRING DIAGRAM



WIRING DIAGRAM

No.	Supply Code	Parts No.	Replacement	Parts name	Remarks	Choice	Step	Level	Cons	Qty	Rep. QTY
1		40073650		MAIN PCB ASSY	FOR 4530					1	
2	R	40000029	40082758	SDC PCB A ASS'Y						1	1.00
3		40000056		FLT-T PCB A ASS'Y	FOR 1-PH-ASE/3-PHASE					1	
4	R	40000046	40162838	FLT-S PCB A ASS'Y	FOR CE,G-ENERAL EXPORT					1	1.00
5		40073651		SUB PCB ASSY						1	
6	R	40077848	40112003	IP-410H PANELASSY						1	1.00
7		40073679		PANELCABLEASSYL						1	
8		40005401		FAN MOTOR ASS'Y						1	
9		40073683		POWER CORD 3P ASSY	FOR 1-PH-ASE/3-PHASE					1	
10		40005392		POWER CORD 1P ASS'Y	FOR CE					1	
11		40073684		POWER CORD 1P 220V ASSY	GENERAL EXPORT					1	
12		HA004250000		SWITCH	FOR 1-PH-ASE/3-PH-ASE, GENERAL EXPORT					1	
13		HA005820000		SWITCH	FOR CE					1	
14		M90355800A0		POWER SOURCE CORD ASM.	FOR USE IN JAPAN (1-PHASE 100V)					1	
15		M90175800A0		POWER CABLE ASM.	FOR 3-PHASE					1	
16		40005390		JE POWER CABLE ASM	FOR CE					1	
17		40023371		SINGLE PHASE POWER CORD ASSY	GENERAL EXPORT					1	
18		40005393		FLT-SDC CORD P ASS'Y	FOR 1-PH-ASE/3-PH-ASE, GENERAL EXPORT					1	
19		40012038		REACTOR CORD ASSY	FOR CE					1	
20		40005394		FLT-SDC CORD S ASS'Y						1	
21		40005726		SDC-MAIN CORD P ASSY						1	
22		40005727		SDC-MAIN CORD S ASSY						1	
23		40052937		550W_SERVO_MOTOR						1	
24		40062367		SUB-MAIN CORD P ASSY						1	
25		40062368		SUB-MAIN CORD S ASSY						1	
26		40073659		SW RELAY CORD ASM						1	
27		HD002780000		SENSOR						4	
28		40103969		ENCODER MOTOR ASM.(IP)						1	
29		40073623		IPMOTORCABLEASM						1	
30		40073640		IP ENCODER CABLE ASM						1	
31		40103968		ENCODER MOTOR ASM.(TC)						1	
32		40073622		TT MOTOR CABLE ASM						1	
33		40073639		TT ENCODER CABLE ASM						1	
34		40104419		ENCODER MOTOR ASM.(X-Y)						2	
35		40073620		X MOTOR CABLE ASM						1	
36		40073621		Y MOTOR CABLE ASM						1	
37		40073632		X ENCODER CABLE ASM						1	
38		40073638		Y ENCODER CABLE ASM						1	
39		40075079		STEPPING MOTOR						1	
40		40073626		TH MOTOR CABLE ASM						1	
41		40073660		AT SOLENOID						1	

WIRING DIAGRAM



WIRING DIAGRAM

No.	Supply Code	Parts No.	Replacement	Parts name	Remarks	Choice	Step	Level	Cons	Qty	Rep. QTY
42		40072151		WIPER ASM						1	
43		40073681		AIR RELAY CABLE ASM						1	
44		40090484		VALVE CORD ASM.						1	
45		40048529		VALVE RERAY COAD ASM						1	
46		40075391		AIR SW CABLE ASM						1	
47		40073671		X SENSOR CABLE ASM						1	
48		40073672		Y SENSOR CABLE ASM						1	
49		40040238		PF_SENSOR_CABLE_ASM						1	
50		40073674		TH SENSOR ASM						1	
51		40073675		IP_SENSOR_CABLE_ASM.						1	
52		40073676		STOP SW ASM						1	
53		40073678		THB SENSOR CABLE ASM						1	
54		40040230		INT PCB ASM						1	
55		40033831		PK78 PEDAL SWITCH ASM						1	
56		40033875		PK47 RELAY CABLE ASM	OPTIONAL PARTS					1	
57		GPK470010AB		3-PEDAL ASM.	OPTIONAL PARTS					1	
58		40040237		SHORT CONNECTOR						3	
59		HD00057000A		PHOTO SENSOR						3	
60	R	HD00204000A	HD00203000A	SENSOR						1	1.00
61	R	HD00204000B	HD00203000B	SENSOR						1	1.00
62		14115554		HEAD GROUND CABLE A ASM.						1	
63		40077782		MAIN PCB ASSY	FOR 6030					1	

TABLE COMPONENTS

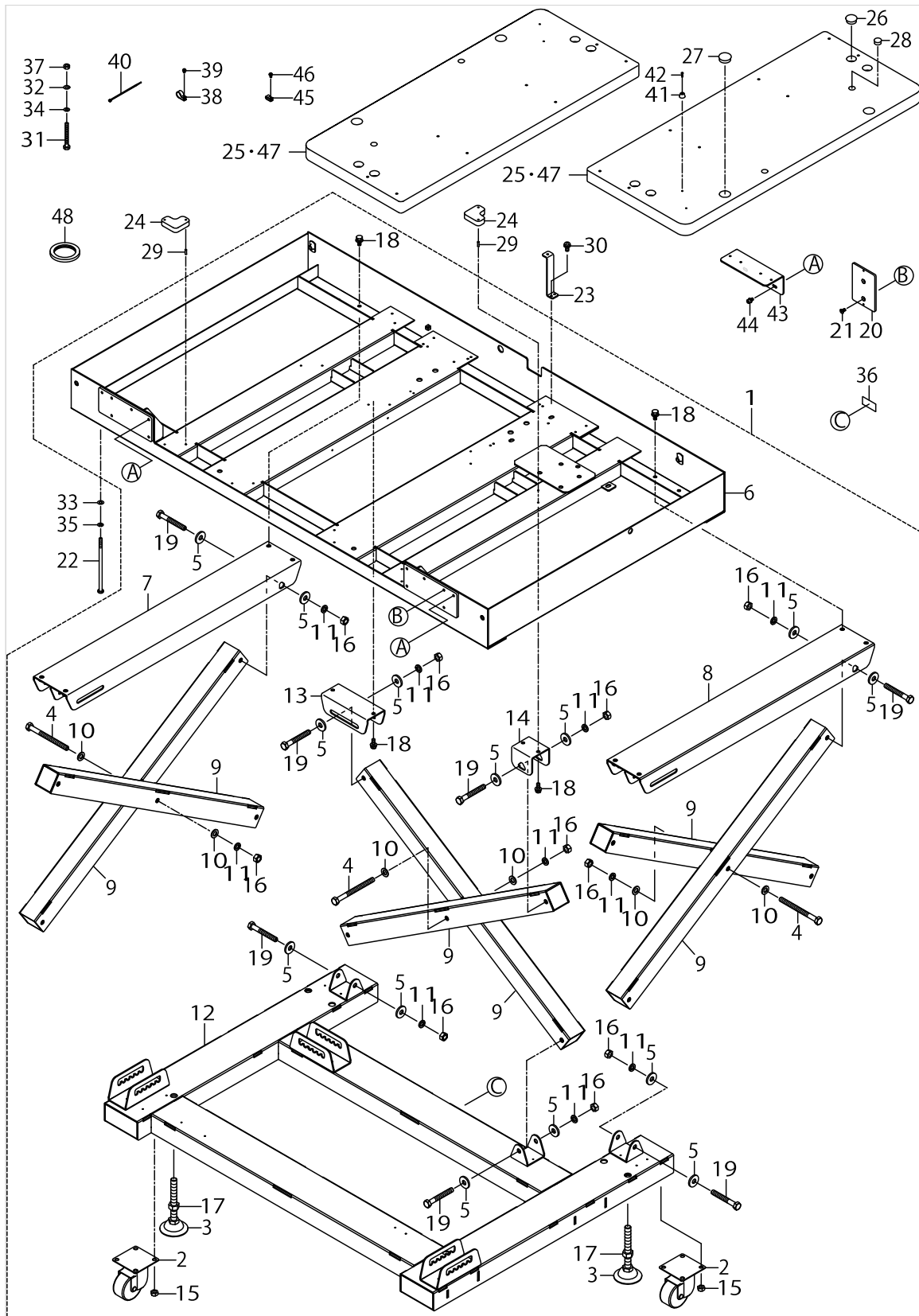


TABLE COMPONENTS

No.	Supply Code	Parts No.	Replacement	Parts name	Remarks	Choice	Step	Level	Cons	Qty	Rep. QTY
1		40072145		STAND ASM						1	
2		40072077		CASTER				*		4	
3		40072087		ADJUSTER				*		4	
4		40072206		BOLT				*		3	
5		40072223		WASHER LARGE				*		24	
6		40073222		UPPER_STAND				*		1	
7		40073224		TOP_BASE_L				*		1	
8		40073225		TOP_BASE_R				*		1	
9		40073226		CROSS_LEG				*		6	
10		WP1302501SC		WASHER 13X24X2.5				*		6	
11	R	WS1220002KN	WS1220002KP	SPRING WASHER				*		15	1.00
12		40073227		BASE				*		1	
13		40073230		BRACKET_BT				*		1	
14		40073231		BRACKET_B				*		1	
15	R	NM6100001SE	NM6100001SC	NUT FOR SPRING A-DJUSTING BOLT				*		16	1.00
16		NM6120001SE		NUT M12				*		15	
17		NM6160001SC		NUT				*		4	
18		SL9082093SE		SCREW				*		12	
19		SM9129013SB		SCREW M12 L=90				*		12	
20		40073216		SW_BASE_JE	FOR JE(4530)					1	
21		SM1061201SN		SCREW M6 L=12	FOR JE(4530)					2	
22		B8117223C00		BOLT						4	
23		B8118223C00		COVER INSTALLING STAY						4	
24		B8171220000		RUBBER ABSORBER						4	
25		40072146		TABLE						2	
26		HX00326000B		BUSH						5	
27		HX00326000M		DOME PLUG						3	
28		HX00326000G		PLUG						3	
29		PS0400141KH		SPRING PIN 4X14						8	
30		SL4041091SC		SCREW M4 L=10						8	
31		SM9087533SC		SCREW M8 L=75						2	
32		WP0841601SC		WASHER 8.4X17.4X1.6						2	
33		WP0841601SC		WASHER 8.4X17.4X1.6						4	
34		WS0820002KN		SPRING WASHER M8						2	
35		WS0820002KN		SPRING WASHER M8						4	
36		16870206		GRAVITY SEAL						2	
37		NM6080001SC		NUT M8X1.25						2	
38		HX00150000H		CABLE CLIP						3	
39		SL4040891SC		SCREW M4 L=8						3	
40		EA9500B0100		CABLE BAND						2	
41		40072231		STOPPER_RUBBER						2	
42		SK3271301SE		WOOD SCREW D=2.7 L=13						2	
43		40073215		SW_BASE	FOR ST(4530)					1	
44		SL6061292TN		SCREW	FOR ST(4530)					2	
45		HX00150000B		CABLE CLIP						1	
46		SL4041091SC		SCREW M4 L=10						1	

TABLE COMPONENTS

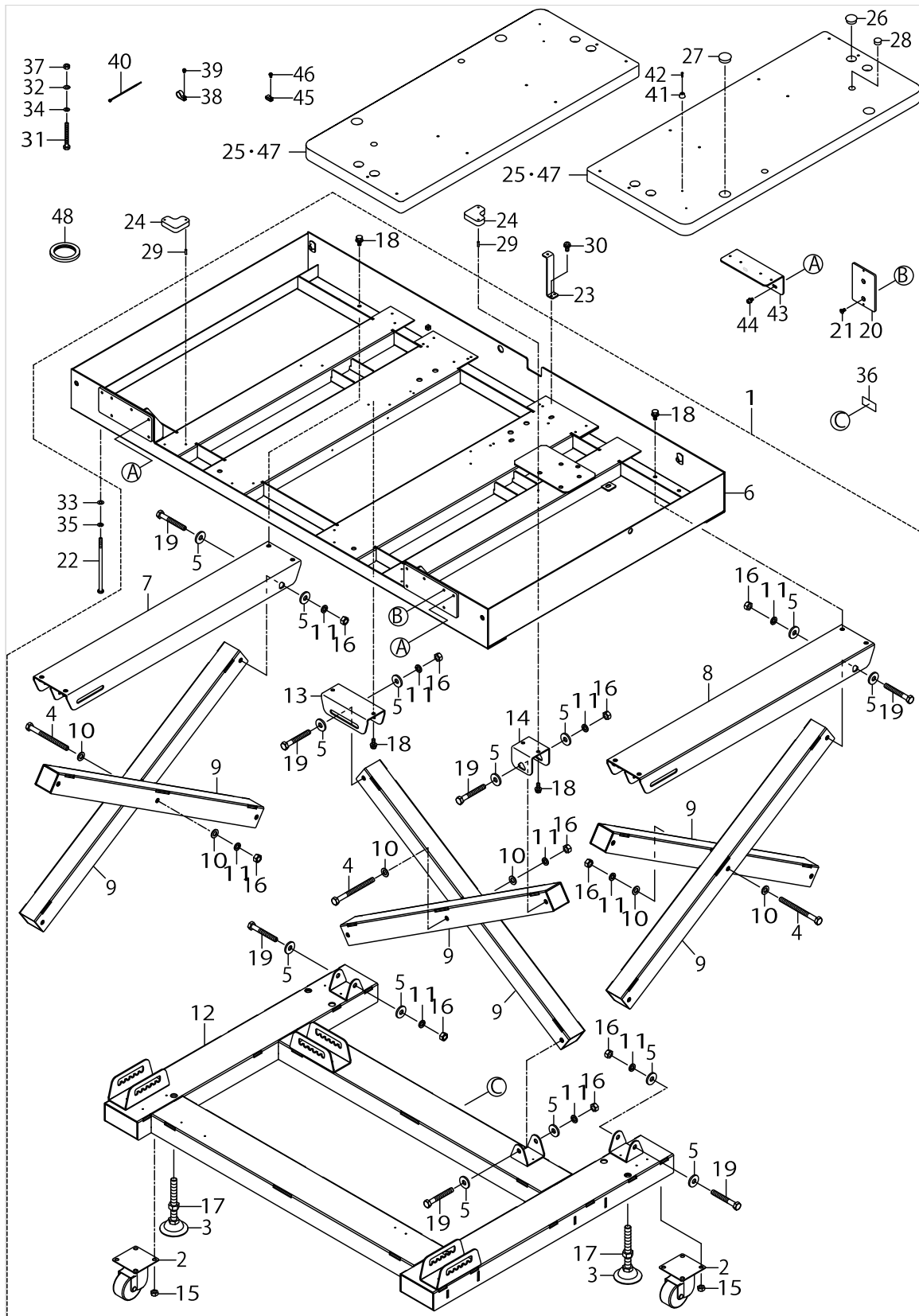
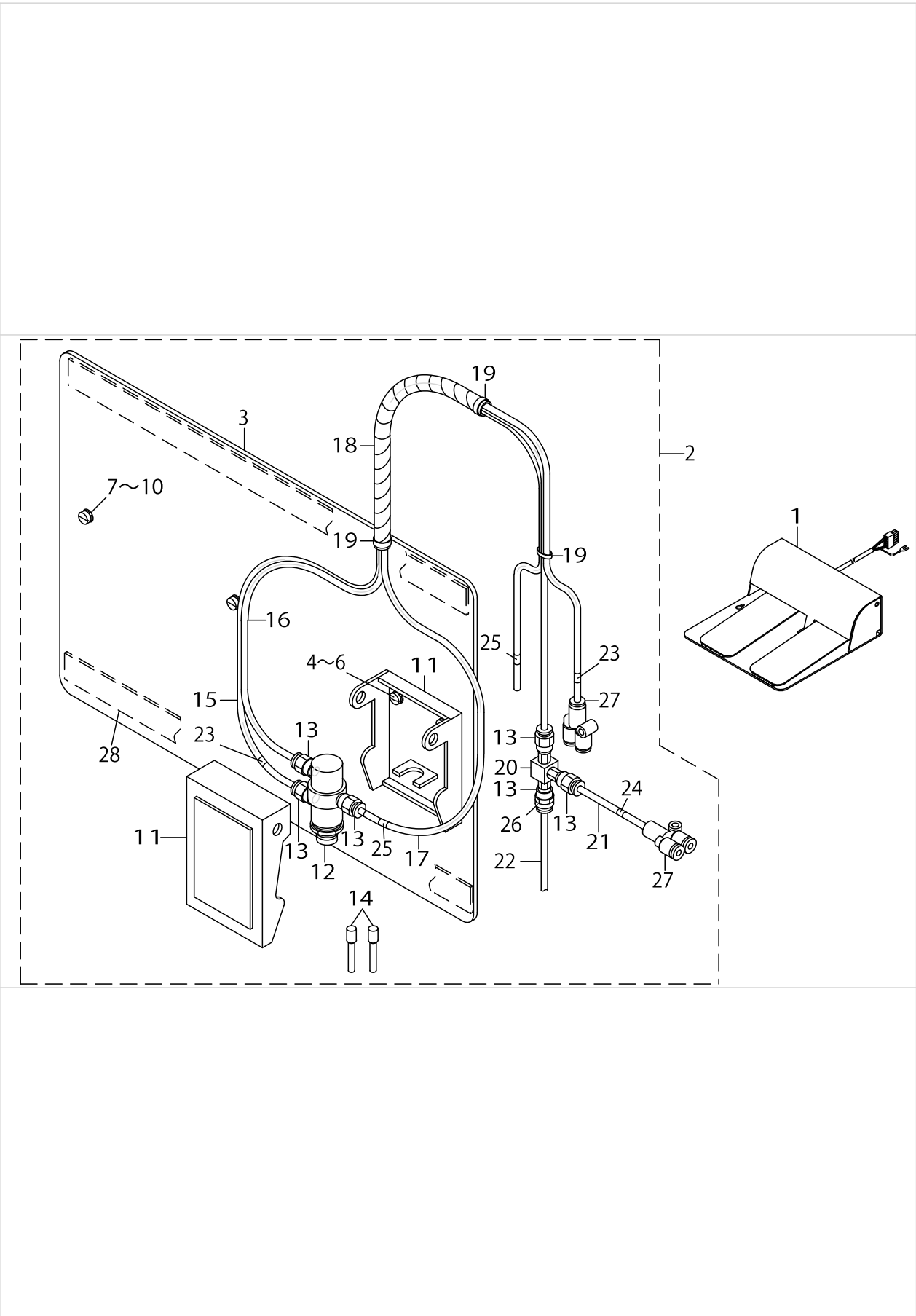


TABLE COMPONENTS

No.	Supply Code	Parts No.	Replacement	Parts name	Remarks	Choice	Step	Level	Cons	Qty	Rep. QTY
47		40089584		TABLE ASM.	FOR CA					2	
48		40090431		RUBBER						4	

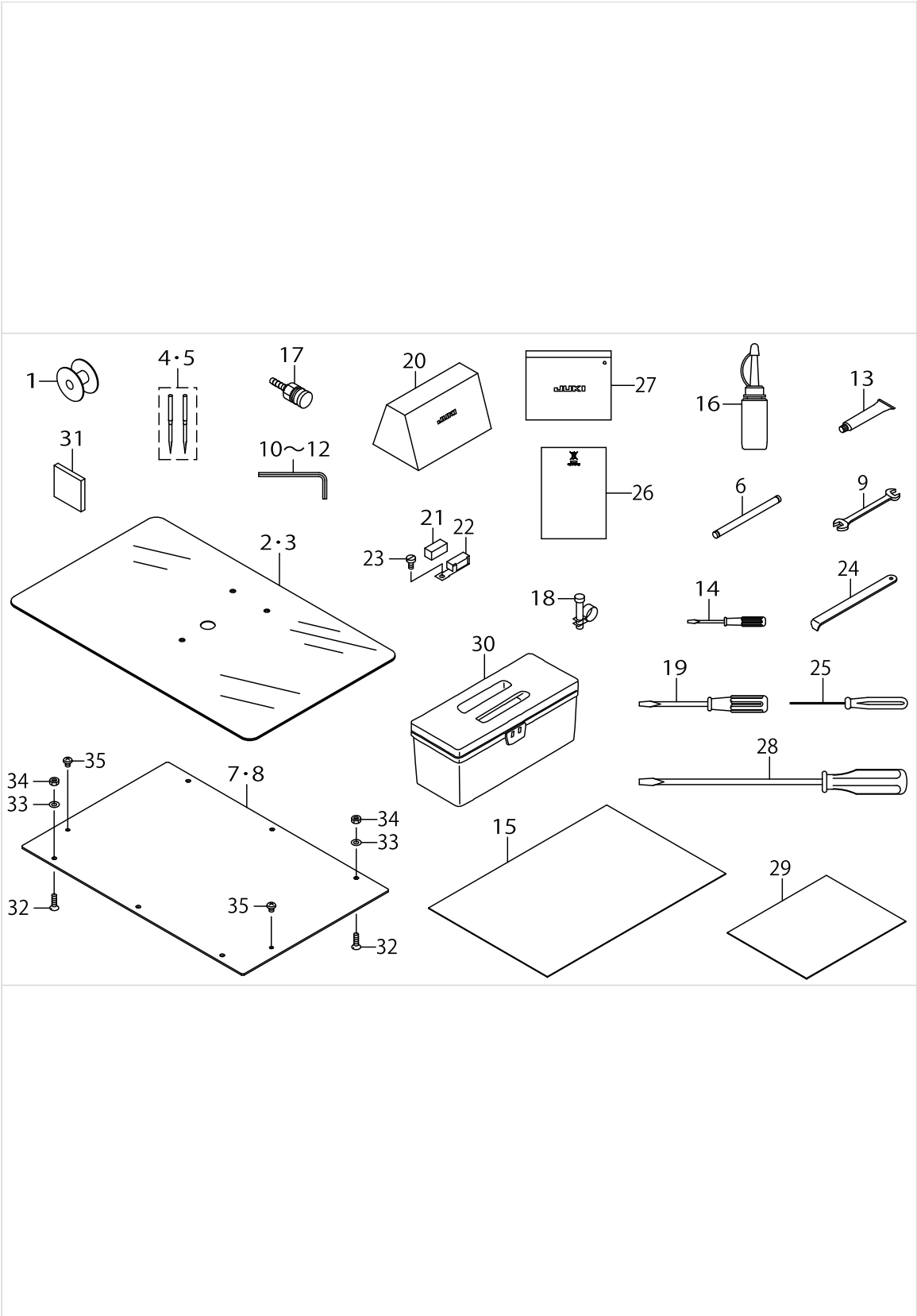
PEDAL COMPONENTS



PEDAL COMPONENTS

No.	Supply Code	Parts No.	Replacement	Parts name	Remarks	Choice	Step	Level	Cons	Qty	Rep. QTY
1		40033831		PK78 PEDAL SWITCH ASM.						1	
2		40042352		MECHANICAL VALVE UNIT						1	
3		D8001D15A0Y		PEDAL BASE				*		1	
4		WP0450801SD		WASHER 4.5X10X0.8				*		2	
5		WS0451040KP		SPRING WASHER 4.5X8.5X1				*		2	
6		SS7111120TP		SCREW				*		2	
7		SS6111210SP		SCREW11/64-40L=12				*		2	
8		WP0450801SD		WASHER 4.5X10X0.8				*		2	
9		WS0451040KP		SPRING WASHER 4.5X8.5X1				*		2	
10		WP0553216SD		WASHER				*		2	
11		PX020002000		ACTUATOR				*		1	
12		PV010502000		AIR VALVE				*		1	
13		PJ301040501		HALF UNION M5 D=4				*		6	
14		PX500014000		PLUG				*		2	
15		BT0400251EB		URETHANE HOSE, BLACK				*		1.9	
16		BT0400251EB		URETHANE HOSE, BLACK				*		1.8	
17		BT0400251EB		URETHANE HOSE, BLACK				*		1.9	
18		HX00314000A		SPIRAL TUBE				*		0.6	
19		EA9500B0100		CABLE BAND				*		3	
20		GEP01013000		VALVE				*		1	
21		BT0400251EB		URETHANE HOSE, BLACK				*		0.1	
22		BT0400251EB		URETHANE HOSE, BLACK				*		0.1	
23		18035204		WIRE MARK (3)				*		2	
24		18035303		WIRE MARK (4)				*		1	
25		18035600		WIRE MARK (7)				*		2	
26		18035709		WIRE MARK (8)				*		1	
27		PJ308040002		QUICK COUPLING				*		2	
28		D8002D15A0Y		PEDAL CUSHION				*		2	

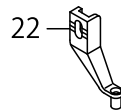
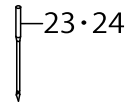
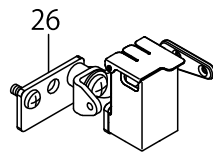
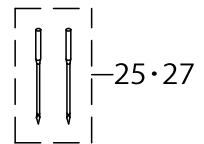
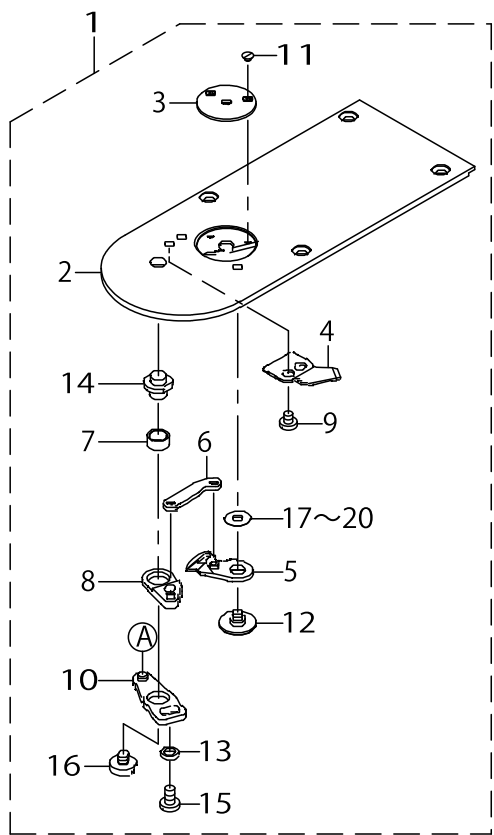
ACCESSORIE PART COMPONENTS



ACCESSORIE PART COMPONENTS

No.	Supply Code	Parts No.	Replacement	Parts name	Remarks	Choice	Step	Level	Cons	Qty	Rep. QTY
1		B1806210D00		BOBBIN					☆	1	
2		40072082		COVER SHEET(4530)	FOR AMS-- 224E-4530					1	
3		40072083		COVER SHEET(6030)	FOR AMS-- 224E-6030					1	
4	R	MDP170B1802	MDP170B1800	NEEDLE DPZ17#18-2	FOR ST				☆	1	1.00
5		MC372001102		NEEDLE SY3355 #110-2	FOR JE				☆	1	
6		13704705		BELT SIDE COVER SHAFT						1	
7		40072148		PLASTIC BLANK PLATE 6030	FOR AMS-- 224E-6030					1	
8		40072147		PLASTIC BLANK PLATE 4530	FOR AMS-- 224E-4530					1	
9		B9113012000		WRENCH (9X10)						1	
10		B9140372000		HEXAGONAL WRENCH, SMALL						1	
11		B9141372000		HEXAGONAL WRENCH, LARGE						1	
12		GCT02906000		HEXAGONAL SPANNER						1	
13		40006323		JUKI GREASE A TUBE						1	
14		22933204		SCREW DRIVER,SMALL						1	
15		B2564223C00		SPONGE						1	
16		B91212200A0		OILER (CONTAINING NO.2 OIL)						1	
17		PJ309520001		SOCKET						1	
18		PB000010000		HOSE BAND						1	
19		22933105		SCREW DRIVER,MIDDLE						1	
20		40072154		COVER						1	
21		B1131528000		FELT						1	
22		10102200		THREAD GUIDE F						1	
23		SM6040860TP		SCREW M4 L=8						1	
24		B9101490000		DRIVER						1	
25		40032763		HEXAGONAL_DRIVER(1.5)						1	
26		CM600100201		WEEE INFORMATION SHEET	FOR JE					1	
27		22932800		ACCESSORIE BAG						1	
28		22933006		SCREW DRIVER,LARGE						1	
29		B2591220000		RUBBER SHEET						1	
30		B8601WP10A0		TOOL BOX ASM.						1	
31		40050647		COMPACTFLASH(T-M) SET AMS-221E						1	
32		SM1041401SN		SCREW M4X0.7 L=14						6	
33		WP0430801SC		WASHER 4.3X9X0.8						6	
34		NM6040001SC		NUT M4						6	
35		SM4040501SN		SCREW M4X0.7 L=5						2	

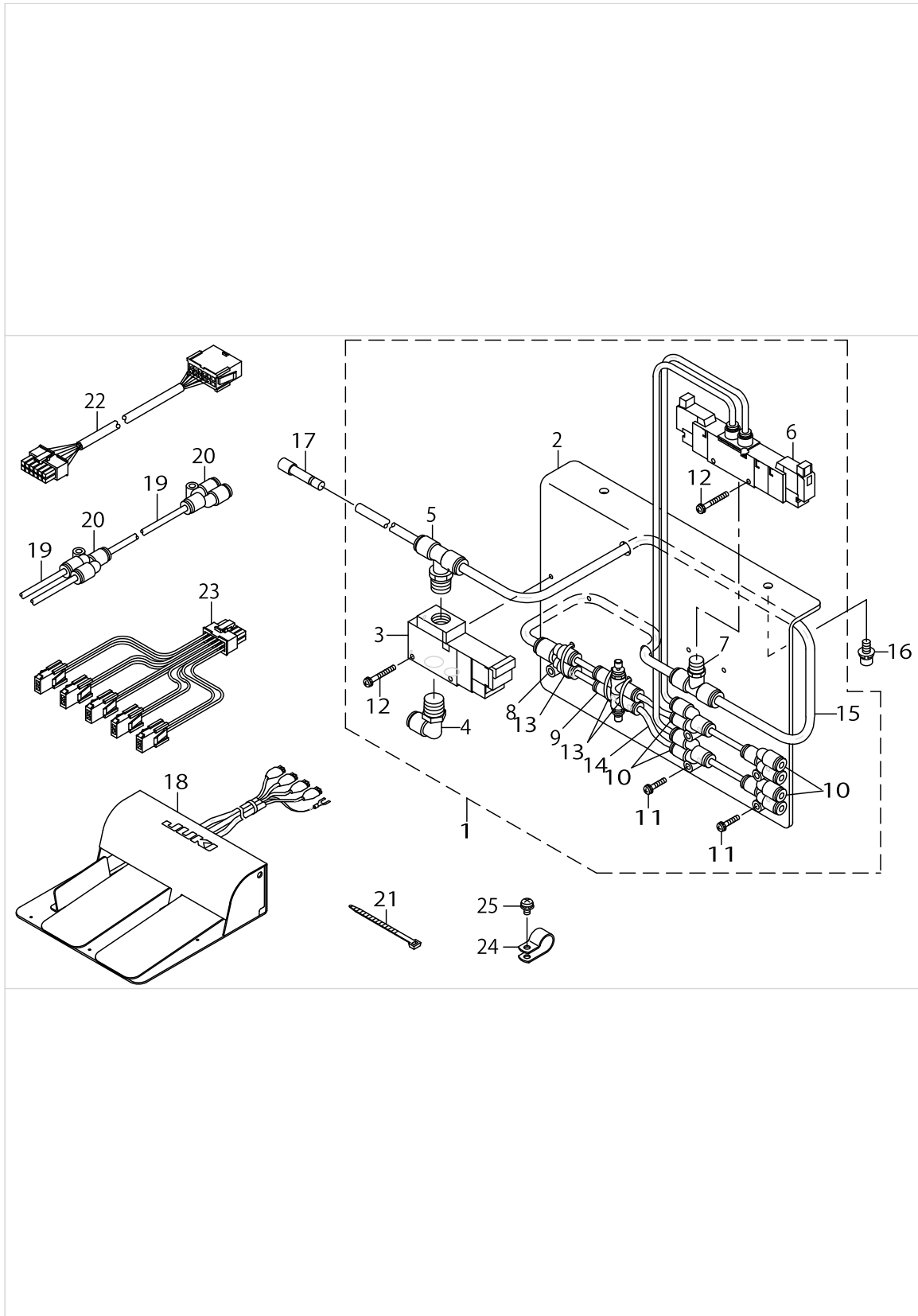
TYPE G EXCLUSIVE PARTS



TYPE G EXCLUSIVE PARTS

No.	Supply Code	Parts No.	Replacement	Parts name	Remarks	Choice	Step	Level	Cons	Qty	Rep. QTY
1		40053776		NEEDLE_PLATE_ASM.						1	
2		40030934		NEEDLE_PLATE				*		1	
3		B242621000F		NEEDLE HOLE GUIDE D=3.0				*		1	
4		B2424210A00		FIX KNIFE				*		1	
5		B2421210AA0		MOVING KNIFE COMPL.				*		1	
6		B2418280000		MOVING KNIFE LINK				*		1	
7		B2416280000		THREAD CUTTING LEVER RING				*		1	
8		B24152800A0		THREAD CUTTER L- EVER ASM., SMALL				*		1	
9		SS7090410SP		SCREW 9/64-40 L=3.5				*		1	
10		B24142800A0		THREAD CUTTER L- EVER ASM., LARGE				*		1	
11		SS1060210TP		SCREW 3/32-56 L=2.2				*		1	
12		B2417210000		MOVING KNIFE HINGE SCREW				*		1	
13		WP0450846SP		WASHER				*		1	
14		B2417280000		THREAD CUTTER LEVER SHAFT				*		1	
15		SS7110740TP		SCREW 11/64-40 L=7				*		1	
16		SS6110430TP		SCREW 11/64-40 L= 4.0				*		1	
17		B242328000A		MOVING KNIFE WASHER A	SELECTIVE PARTS			*		1	
18		B242328000B		MOVING KNIFE WASHER B	SELECTIVE PARTS			*		1	
19		B242328000C		MOVING KNIFE WASHER C	SELECTIVE PARTS			*		1	
20		B242328000D		MOVING KNIFE WASHER D	SELECTIVE PARTS			*		1	
21		14103659		SHUTTLE RACE RING ASM.,C						1	
22		B1601210D0BA		INTERMEDIATE PRESSER B						1	
23		MDP170B2300		NEEDLE DPX17 #23	FOR ST					1	
24		MC372001600		NEEDLE SY3355 160	FOR JE					1	
25		MDP170B2302		NEEDLE DPX17#23-2	TYPE G A- CESSORIE PARTS(FOR ST)					1	
26		40097301		SILICONE OIL TANK ASM	TYPE G A- CESSORIE PARTS					1	
27	R	MC372001602	MC372001600	NEEDLE SY3355 #160-2	TYPE G A- CESSORIE PARTS(FOR JE)					1	1.00
28		B242621000G		NEEDLE HOLE GUIDE D=3	TYPE G A- CESSORIE PARTS					1	

SEPARATE STROKE TYPE EXCLUSIVE PARTS



SEPARATE STROKE TYPE EXCLUSIVE PARTS

No.	Supply Code	Parts No.	Replacement	Parts name	Remarks	Choice	Step	Level	Cons	Qty	Rep. QTY
1		40076736		SOLENOID_INSTALLING_PLATE_A_ASM.						1	
2	R	40076738	40105703	SOLENOID_INSTALLING_PLATE				*		1	1.00
3		PV135207000		3-PORT ELECTROMAGNETIC VALVE				*		1	
4		PJ304065201		ELBOW UNION 6XPT1/4				*		1	
5		PJ305065204		DOUBLE-ENDED T UNION				*		1	
6		PV155113000		5-PORT SOLENOID VALVE				*		1	
7		PJ305065107		DOUBLE-ENDED T UNION				*		1	
8		PJ308060005		IKEI UNION				*		1	
9		PC012406000		SPEED CONTROLLER				*		2	
10		PJ308040002		QUICK COUPLING				*		4	
11		SL4031691SC		SCREW M3 L=16				*		4	
12		SL4032591SC		SCREW M3X25				*		4	
13		EA9500B0100		CABLE BAND				*		3	
14		BT0400251EB		URETHANE HOSE, BLACK				*		0.6	
15		BT0600401EB		TUBE				*		1.1	
16		SL6051292TN		BOLT						2	
17		PX950001000		PLUG						1	
18		GPK470010AB		3-PEDAL ASM.						1	
19		BT0400251EB		URETHANE HOSE, BLACK						1.7	
20		PJ308040002		QUICK COUPLING						4	
21		EA9500B0100		CABLE BAND						3	
22		40074127		AIR EXTENSION CODE ASM.						1	
23		40033875		PK47 RELAY CABLE ASM						1	
24		HX00150000E		CORD PRESSER 3-POLE (220/240V)						1	
25		SL4040891SC		SCREW M4 L=8						1	

HOW TO MAKE USE OF THIS PARTS LIST

1.Explanation of codes

1)"*"mark.....means this part is changed from the previous parts book.

As to the details of the change, refer to the "List for information of change".

2)"#01".....refer to "Note" explanation at bottom of page.

2.Codes on the "Qty" column

- Each numeral indicates the number of parts required.
- "0.1" and "2.5" indicate the length (in meters) of the respective parts.

3.Parentheses mean that the corresponding part is a subpart that constructs an assembly part.

4.Dotted lines on the Figures indicate assembly parts.

5.As to the parts with marks of "☆"(consumable parts) and "◎"(optional parts)on the respective parts, it is recommended to prepare spares.

1 ."注記"欄の記号説明

1) "*"印.....前回のパーツブックに比較して今回変更された部品を意味します。

変更内容は、"変更情報リスト"を参照してください。

2) "#01".....ページ下の"注記"の説明を参照してください。

2.数量欄の数字は、個数を表し、0.1、2.5等の数値は、長さ（単位メートル）を表します。

3.数量欄の（ ）は、組部品を構成している子部品であることを意味します。

4.イラストページの-----枠は、組構成であることを意味します。

5.リストページの"☆"（消耗部品）、"◎"（オプション部品）の印がついた部品は、予備を準備しておくことをお奨めします。

NUMERICAL INDEX OF PARTS

PART NO	PAGE	REF NO.	PART NO	PAGE	REF NO.	PART NO	PAGE	REF NO.
10102200	92	22	22928808	42	28	26260109	6	5
10502300	2	35	22930309	72	14	26260208	6	6
11072402	4	47	22930358	72	1	26260307	6	7
11111051	40	13	22930408	72	10	26260406	6	8
12209706	10	77	22930507	72	9	26260505	6	9
12209706	16	77	22930556	72	15	26260604	6	10
13122403	24	23	22930705	72	7	26260703	6	11
13122452	24	22	22930804	72	17	26260802	6	12
13167903	72	30	22930903	72	16	26261206	6	16
13168000	72	31	22931000	72	4	26261305	6	17
13168109	72	23	22931109	72	3	26261503	6	18
13168208	72	24	22931307	72	11	26261602	6	19
13518501	38	55	22931406	72	8	26261701	6	20
13529607	32	15	22932800	92	27	26501858	32	7
13704705	92	6	22933006	92	28	26910059	72	22
13705108	2	21	22933105	92	19	31262801	10	45
13816855	8	44	22933204	92	14	31262801	16	45
13816855	14	44	22955504	40	4	40000029	78	13
13887005	54	88	22955900	40	7	40000029	82	2
13887005	60	88	22956007	40	8	40000046	78	15·16
14103352	32	27	22956106	40	9	40000046	82	3·4
14103659	94	21	22956205	40	10	40000056	78	15·16
14103907	32	10	22956908	40	14	40000056	82	3·4
14104004	32	8	22957104	40	15	40000140	74	19
14113450	4	49	22957203	40	16	40000146	74	3
14113468	2	46	23517501	46	4~7	40003458	80	42
14115554	6	31	23517600	46	4~7	40003970	28	46
14115554	84	62	23517709	46	4~7	40005390	82	14~17
14432504	38	56	23517808	46	4~7	40005392	78	30
16870206	86	36	23604200	20	2	40005392	82	9~11
17845009	78	27	23604309	22	42	40005393	78	33
18035204	90	23	23610108	24	39	40005393	82	18
18035303	90	24	23618606	36	7	40005394	78	35
18035600	90	25	23618606	52	35	40005394	82	20
18035709	90	26	23618606	58	35	40005401	78	22
22891006	20	25	23630007	32	14	40005401	82	8
22891204	20	34	23630007	38	70	40005706	78	20
22901409	22	62	26023408	66	4	40005726	80	36
22901805	6	3	26211904	2	12	40005726	82	21
22902506	2	4	26218602	42	31	40005727	80	37
22907505	24	45	26221101	10	47	40005727	82	22
22907554	24	44	26221101	16	47	40005848	74	5
22907604	26	46	26221200	10	46	40006323	92	13
22920508	2	16	26221200	16	46	40006484	2	37
22921506	42	29	26226001	28	42	40006515	22	50

NUMERICAL INDEX OF PARTS

PART NO	PAGE	REF NO.	PART NO	PAGE	REF NO.	PART NO	PAGE	REF NO.
40006515	38	66	40010489	42	23	40024999	2	6
40006516	22	52	40010490	42	20	40025011	24	13
40006529	20	16	40010497	42	21	40025012	24	5
40006530	20	17	40010498	42	22	40025014	10	54
40006531	20	18	40010499	42	24	40025014	16	54
40006532	20	26	40010503	42	27	40025016	28	31
40006534	20	22	40010504	42	30	40025030	28	36
40006535	20	23	40010509	42	34	40025414	2	14
40006537	20	27	40010510	42	35	40025415	24	8
40006576	32	20	40010511	42	36	40025416	40	3
40006577	32	11	40010512	42	37	40025418	28	33
40006578	32	33	40010513	42	38	40025419	30	47
40006617	42	5	40010514	42	39	40025420	28	44
40006622	42	25	40010515	42	40	40025423	28	8
40006625	42	4	40010521	42	43	40025426	28	27
40006666	46	21	40010522	42	44	40025427	24	2
40006761	50	1	40010523	42	33	40025428	24	11
40006762	50	3	40010527	50	22	40025429	24	26
40006765	50	4	40010528	50	23	40025431	24	1
40006768	50	19	40010533	22	54	40025440	40	34
40006772	50	10	40010589	50	9	40025441	40	35
40006780	50	11	40011152	50	24	40026817	28	4
40006781	50	12	40011902	20	35	40026818	36	36
40006836	2	43	40012038	78	34	40026819	28	9
40006840	2	45	40012038	82	19	40026882	22	57
40006840	38	68	40012965	24	19	40026884	22	61
40010415	20	5	40013640	6	29	40026979	2	3
40010418	20	7	40014963	32	28	40027870	28	37
40010422	20	9	40015800	50	5	40027971	2	11
40010423	20	10	40018948	80	44	40028338	6	4
40010424	20	11	40023371	82	14~17	40028834	2	30
40010425	20	12	40023624	46	13	40028835	2	31
40010426	20	13	40023631	26	49	40028877	2	28
40010427	20	14	40023632	26	50	40029411	42	32
40010434	20	33	40023635	66	5	40029412	42	42
40010441	22	55	40023644	66	2	40029419	24	36
40010442	22	56	40023865	6	13	40029420	28	5
40010443	46	19	40023866	6	14	40030615	28	15
40010470	32	16	40023993	42	12	40030616	26	65
40010471	32	17	40023999	42	15	40030617	24	4
40010472	32	19	40024988	24	29	40030620	24	31
40010477	42	6	40024989	28	24	40030621	26	55
40010478	42	41	40024991	24	40	40030623	26	47
40010479	42	8	40024997	8	41	40030625	28	1
40010487	42	17	40024997	14	41	40030626	28	2

NUMERICAL INDEX OF PARTS

PART NO	PAGE	REF NO.	PART NO	PAGE	REF NO.	PART NO	PAGE	REF NO.
40030627	28	3	40044053	22	46	40072082	92	2·3
40030628	26	62~64	40044053	38	62	40072083	92	2·3
40030629	26	62~64	40044971	74	14	40072086	20	8
40030630	26	62~64	40046076	74	12	40072087	86	3
40030779	40	12	40048529	84	45	40072088	38	72
40030780	40	5	40050647	76	43	40072089	36	1
40030828	2	8	40050647	92	31	40072090	36	11
40030829	6	15	40051330	74	11	40072091	36	15
40030926	74	4	40051501	10	61	40072092	36	22
40030933	46	23	40051501	16	61	40072093	36	30
40030934	46	25	40051640	80	43·66	40072094	36	33
40030934	94	2	40051769	68	49	40072095	36	35
40030936	46	1	40051770	66	43	40072096	36	38
40030942	50	17	40051987	2	40	40072097	36	43
40030943	50	15	40052937	22	60	40072098	36	44
40030956	40	6	40052937	82	23	40072099	36	42
40031336	6	28	40053776	94	1	40072100	36	40
40032158	2	1	40055355	78	1	40072101	32	41
40032159	2	26	40055356	78	2	40072102	32	40
40032179	28	7	40055357	78	3	40072103	38	51
40032180	28	17	40057278	80	43·66	40072106	36	23
40032181	28	23	40061991	32	29	40072107	46	15
40032229	66	13	40062367	80	55	40072108	50	26
40032343	42	11	40062367	82	24	40072109	50	34
40032345	42	14	40062368	80	56	40072110	50	38
40032483	28	6	40062368	82	25	40072111	42	26
40032763	92	25	40062684	72	2	40072112	52	13
40032798	24	43	40068829	26	56	40072112	58	13
40033831	84	55	40068832	26	57	40072113	52	2
40033831	90	1	40068833	24	14	40072113	58	2
40033875	84	56	40068834	24	28	40072114	52	12
40033875	96	23	40068835	24	7	40072114	58	12
40035024	76	48	40072074	8	12	40072115	52	3
40036117	32	25	40072074	14	12	40072115	58	3
40036118	32	35	40072075	14	15	40072116	52	14
40037500	40	32	40072076	8	15	40072116	58	14
40037501	40	33	40072077	86	2	40072117	52	15
40040230	10	62	40072078	8	25	40072117	58	15
40040230	16	62	40072078	14	25	40072118	52	16
40040230	84	54	40072079	8	20	40072118	58	16
40040237	84	58	40072079	14	20	40072119	52	17
40040238	84	49	40072080	8	21	40072119	58	17
40040256	46	8	40072080	14	21	40072120	52	23
40042352	90	2	40072081	8	19	40072121	58	23
40043321	30	53	40072081	14	19	40072122	52	24

NUMERICAL INDEX OF PARTS

PART NO	PAGE	REF NO.	PART NO	PAGE	REF NO.	PART NO	PAGE	REF NO.
40072122	58	24	40072166	58	5	40072223	86	5
40072123	58	26	40072167	52	7	40072225	50	28
40072124	52	27	40072167	58	7	40072226	52	10
40072124	58	27	40072168	52	8	40072226	58	10
40072125	52	28	40072168	58	8	40072227	36	31
40072125	58	28	40072169	52	6	40072227	56	94
40072126	52	29	40072170	58	6	40072227	62	94
40072126	58	29	40072171	52	18	40072228	46	10
40072127	54	81	40072171	58	18	40072231	86	41
40072127	60	81	40072173	36	9	40072233	20	39
40072128	52	21	40072174	8	18	40072244	10	49
40072128	58	21	40072174	14	18	40072245	16	49
40072129	52	20	40072175	10	52	40073215	86	43
40072129	58	20	40072175	16	52	40073216	86	20
40072130	52	4	40072176	10	51	40073222	86	6
40072131	52	33	40072176	16	51	40073224	86	7
40072132	58	33	40072177	10	60	40073225	86	8
40072133	54	74	40072177	16	60	40073226	86	9
40072133	60	74	40072178	10	59	40073227	86	12
40072135	66	1	40072178	16	59	40073230	86	13
40072136	66	28·51	40072179	10	53	40073231	86	14
40072137	68	28·51	40072179	16	53	40073620	82	35
40072138	68	46·56	40072180	14	17	40073621	82	36
40072139	68	46·56	40072183	16	69	40073622	82	32
40072140	32	1	40072184	8	17	40073623	82	29
40072143	8	23	40072186	10	69	40073626	82	40
40072143	14	23	40072187	14	16	40073632	82	37
40072145	86	1	40072189	16	68	40073638	82	38
40072146	86	25·47	40072191	8	16	40073639	82	33
40072147	92	7·8	40072193	10	68	40073640	82	30
40072148	92	7·8	40072195	8	22	40073650	78	11·65
40072151	40	1	40072195	14	22	40073650	82	1·63
40072151	84	42	40072206	86	4	40073651	80	54
40072152	52	9	40072207	36	3	40073651	82	5
40072153	58	4	40072208	38	49	40073659	80	46
40072154	92	20	40072209	54	72	40073659	82	26
40072155	64	5	40072209	60	72	40073660	42	1
40072156	52	26	40072211	46	45	40073660	82	41
40072159	36	45	40072212	10	81	40073671	84	47
40072160	52	1	40072212	16	81	40073672	84	48
40072160	58	1	40072213	10	80	40073674	50	33
40072161	68	52·53	40072213	16	80	40073674	84	50
40072162	68	52·53	40072214	10	79	40073675	84	51
40072163	66	40	40072214	16	79	40073676	2	33
40072166	52	5	40072220	70	1	40073676	84	52

NUMERICAL INDEX OF PARTS

PART NO	PAGE	REF NO.	PART NO	PAGE	REF NO.	PART NO	PAGE	REF NO.
40073678	2	25	40101764	16	50	B1636581B00	24	15~18
40073678	84	53	40103968	48	49	B1636581C00	24	15~18
40073679	74	21	40103968	82	31	B1636581D00	24	15~18
40073679	82	7	40103969	28	20	B1641562000	28	41
40073681	84	43	40103969	82	28	B1802180000	54	47
40073683	78	29	40104419	64	4	B1802180000	60	47
40073683	82	9~11	40104419	82	34	B1806210D00	32	31
40073684	78	31	A1230500000A	22	48	B1806210D00	92	1
40073684	82	9~11	A1230500000A	38	64	B1816215P00	48	48
40074051	76	38	B1111220000A	8	1	B1816280000	54	84
40074127	96	22	B1111220000A	14	1	B1816280000	60	84
40075079	50	30	B1114280000	4	53	B1816280000	66	35
40075079	82	39	B1115220000	8	2	B1820210D00	32	3
40075391	84	46	B1115220000	14	2	B1821210D00	32	4
40076009	74	13	B1120223C00	8	3	B1822215P00	32	5
40076012	74	2	B1120223C00	14	3	B1828210DAA	32	30
40076031	74	17	B1129210000	2	19	B1847221D00	32	45
40076032	74	18	B1131528000	92	21	B1903552000	20	28
40076736	96	1	B1144210000	22	45	B1908505000	20	19
40076738	96	2	B1144210000	38	61	B2107210D00	40	2
40077782	80	11·65	B1157215000	8	27	B2110210D00	40	41
40077782	84	1·63	B1157215000	14	27	B2130210D00	40	11
40077848	74	1	B1158224C00	54	80	B24142800A0	46	34
40077848	82	6	B1158224C00	60	80	B24142800A0	94	10
40079638	74	24	B1182223C00	8	24	B24152800A0	46	32
40079639	74	25	B1182223C00	14	24	B24152800A0	94	8
40079640	74	26	B1193223C00	8	26	B2416280000	46	31
40082017	10	88	B1193223C00	14	26	B2416280000	94	7
40082017	16	88	B1212210D00	22	44	B2417210000	46	36
40085820	66	14	B1212210D00	38	60	B2417210000	94	12
40085824	66	34	B1228232000	42	46	B2417280000	46	38
40085830	66	33	B1408180000	24	32	B2417280000	94	14
40086384	36	6	B14115520A0	22	58	B2418280000	46	30
40086384	52	34	B1411804A00	34	46~49	B2418280000	94	6
40086384	58	34	B1411804B00	34	46~49	B2421210AA0	46	29
40089365	32	2	B1411804C00	34	46~49	B2421210AA0	94	5
40089584	88	25·47	B1411804D00	34	46~49	B242328000A	46	39~42
40090431	88	48	B1414555000	22	59	B242328000A	94	17~20
40090432	12	90	B1504210000	66	3	B242328000B	46	39~42
40090432	18	90	B151902600G	54	83	B242328000B	94	17~20
40090484	84	44	B151902600G	60	83	B242328000C	46	39~42
40090785	8	4	B1601210D0BA	94	22	B242328000C	94	17~20
40090785	14	4	B161121000A	26	48	B242328000D	46	39~42
40097301	94	26	B1634210D00	26	53	B242328000D	94	17~20
40101763	10	50	B1636581A00	24	15~18	B2424210000	46	28

NUMERICAL INDEX OF PARTS

PART NO	PAGE	REF NO.	PART NO	PAGE	REF NO.	PART NO	PAGE	REF NO.
B2424210A00	94	4	B8601WP10A0	92	30	EA9500B0100	58	11
B242621000B	46	27	B9101490000	92	24	EA9500B0100	70	21
B242621000F	94	3	B9113012000	92	9	EA9500B0100	80	48
B242621000G	94	28	B9121012000	10	87	EA9500B0100	86	40
B2525223C00	64	1	B9121012000	16	87	EA9500B0100	90	19
B2526223C00	64	2	B91212200A0	92	16	EA9500B0100	96	21
B2534223C00	52	19	B9140372000	92	10~12	EA9500B0200	6	38
B2534223C00	58	19	B9141372000	92	10~12	EA9500B0200	30	54
B2537221D00	64	12	BME01100000	76	36·37	G5430116000	70	17
B2539223C00	52	22	BME03200000	76	36·37	G611387500A	10	74
B2539223C00	58	22	BT0400251EB	66	18	G611387500A	16	74
B2548223C00	52	30	BT0400251EB	90	22	G8124270000	70	14
B2548223C00	58	30	BT0400251EB	96	19	GAF01007000	22	49
B2549223C00	52	31	BT0600401EB	70	8	GAF01007000	38	65
B2549223C00	58	31	BT0600401EB	96	15	GBR0118500A	50	39
B2560220000	68	47	CM100100001	6	32	GCT02906000	92	10~12
B2563215000	68	57	CM200100001	80	49	GEP01013000	90	20
B2564223C00	92	15	CM300100003	76	34	GPK470010AB	84	57
B2567223C00	66	31	CM300100401	76	32	GPK470010AB	96	18
B2567223CA0	66	30	CM300200003	68	61	HA004250000	74	27
B2568223C00	66	20	CM300400601	76	33·35	HA004250000	82	12·13
B2568224C00	66	27	CM300400701	76	33·35	HA005820000	74	28·47
B2569229000	66	36	CM301200001	6	1	HA005820000	82	12·13
B2591220000	92	29	CM600100101	6	33	HA006000000	40	19
B3120372000	2	41	CM600100101	74	16	HD00057000A	30	48
B3126012000	4	50	CM600100101	80	52	HD00057000A	46	17
B3509280000	38	48	CM600100201	92	26	HD00057000A	52	40
B3518280000	38	47	CQ200000000	32	13	HD00057000A	58	40
B3538112000	32	38	CQ200000000	38	69	HD00057000A	84	59
B4022221D00	54	79	CQ303000000	24	3	HD00204000A	50	35
B4022221D00	60	79	CS079073ASH	24	33	HD00204000A	84	60
B471122000C	66	8	CS0800881TP	28	29	HD00204000B	50	36
B471122000D	66	9	CS0800971TP	32	43	HD00204000B	84	61
B471122000G	66	10	CS1200981TP	54	90	HD002780000	82	27
B471122000H	66	11	CS1200981TP	60	90	HF00130315S	76	40~42
B47152150A0	70	12	D7133555B00	4	51	HF0013050P0	76	40~42
B8111220000	10	85	D8001D15A0Y	90	3	HF003000200	76	40~42
B8111220000	16	85	D8002D15A0Y	90	28	HK034610020	40	17
B8112220000	10	83	E2678453000	70	23	HK034610040	70	19
B8112220000	16	83	E9567319000	80	41	HK034640000	70	20
B8117223C00	86	22	E9607603000	80	40	HK03464000B	40	18
B8118223C00	86	23	EA9500B0100	6	37	HN001490000	80	47
B8171220000	86	24	EA9500B0100	30	50	HN002840000	46	16
B8202205000	10	84	EA9500B0100	32	32	HW200390000	40	20
B8202205000	16	84	EA9500B0100	56	97	HW500070000	40	21

NUMERICAL INDEX OF PARTS

PART NO	PAGE	REF NO.	PART NO	PAGE	REF NO.	PART NO	PAGE	REF NO.
HX00065000A	74	29	MDP170B2302	94	25·27	PS0150065KP	10	67
HX00147000J	80	58	NM3040520SC	78	25	PS0150065KP	16	67
HX00150000B	86	45	NM3050610SF	8	13	PS0150065KP	66	32
HX00150000C	46	43	NM3050610SF	14	13	PS0250062KH	8	28
HX00150000D	6	35	NM6040000SN	2	15	PS0250062KH	14	28
HX00150000E	96	24	NM6040001SC	92	34	PS0400141KH	86	29
HX00150000F	6	34	NM6040001SP	46	9	PS0400142KH	22	47
HX00150000H	6	36	NM6040002SE	72	29	PS0400142KH	38	63
HX00150000H	86	38	NM6040003SC	42	18	PV010502000	90	12
HX00150000J	76	30	NM6050001SE	72	13	PV1351270A0	70	5
HX002330000	66	19	NM6050001SP	46	12	PV135207000	96	3
HX00307000D	12	89	NM6050001SP	52	37	PV150209100	70	4
HX00307000D	18	89	NM6050001SP	58	37	PV155113000	96	6
HX00314000A	90	18	NM6080001SC	78	64	PV915005000	70	2
HX00326000B	86	26	NM6080001SC	80	64	PX020002000	90	11
HX00326000G	86	28	NM6080001SC	86	37	PX055104000	70	7
HX00326000K	80	45	NM6100001SE	86	15	PX500014000	90	14
HX00326000M	86	27	NM6120001SE	86	16	PX950001000	96	17
HX003390000	10	64	NM6120011SF	8	5	PX950009000	70	22
HX003390000	16	64	NM6120011SF	14	5	RC0560711KP	6	21
HX003390000	78	18	NM6160001SC	86	17	RC0650811KP	24	25
HX00354000N	74	6	NM6160511SE	72	18	RC1200001KP	38	59
HX00354000S	74	7	NS6090310SP	40	22	RC3781518KP	24	20
HX00364000E	68	60	NS6110310SP	4	48	RE0200000K0	50	7
HX004070000	78	26	NS6110310SP	40	23	RE0250000K0	40	24
HX00410000A	78	32	PA1602509A0	66	6	RE0300000K0	32	6
HX00418000E	80	57	PB000010000	92	18	RE0300000K0	66	12
HX005110000	80	39	PC012401000	66	26	RE0320000K0	66	25
KM000000480	78	23	PC012406000	96	9	RE0400000K0	6	22
M300451100A	76	39	PF0552040B0	70	13	RE0500000K0	40	25
M3801476000	78	6	PJ030520001	70	16	RE0600000K0	52	39
M4206461000	78	10	PJ046052503	66	7	RE0600000K0	58	39
M85125810A0	76	28·47	PJ301040501	90	13	RE0700000K0	28	35
M90175800A0	82	14~17	PJ301040505	70	3	RE0800000K0	36	37
M90295800A0	80	53	PJ301060003	70	10	RE0900000K0	42	3
M90345800A0	74	23	PJ301065103	70	6	SB104001600	20	21
M90355800A0	74	22	PJ304065201	96	4	SB108000500	28	26
M90355800A0	82	14~17	PJ305065107	96	7	SB108000500	52	43
MC372001100	20	37·38	PJ305065202	70	15	SB108000500	58	43
MC372001102	92	4·5	PJ305065204	96	5	SB108002200	20	20
MC372001600	94	23·24	PJ308040002	90	27	SB108002300	20	24
MC372001602	94	25·27	PJ308040002	96	20	SB110002400	48	52
MDP170B1800	20	37·38	PJ308060005	96	8	SB112000200	38	57
MDP170B1802	92	4·5	PJ309005203	70	18	SB115000600	52	44
MDP170B2300	94	23·24	PJ309520001	92	17	SB115000600	58	44

NUMERICAL INDEX OF PARTS

PART NO	PAGE	REF NO.	PART NO	PAGE	REF NO.	PART NO	PAGE	REF NO.
SB115001400	36	29	SD0800407TP	50	25	SL6051292TN	96	16
SB117000400	36	2	SD0800408TP	24	38	SL6052592TN	20	41
SB117000900	52	46	SD0800656TP	26	60	SL6061292TN	86	44
SB117000900	58	46	SD0800746TP	24	10	SL6062592TN	66	21
SB117001000	36	5	SD1000506TP	24	37	SL6082092TN	80	60
SB117001100	36	14	SD1002206TP	26	58	SL6083092TN	78	7
SB120000900	20	1	SK3271301SE	86	42	SL9061600SF	10	66
SB120001700	20	6	SK3413201SE	74	20	SL9061600SF	16	66
SB120001800	20	4	SK3512001SE	76	46	SL9082093SE	86	18
SB130000200	54	48	SL4030641SE	40	30	SM1030601SP	8	32
SB130000200	60	48	SL4030691SC	74	9	SM1030601SP	14	32
SB130000300	54	49	SL4030881SC	80	59	SM1030601SP	36	24
SB130000300	60	49	SL4031091SC	30	49	SM1040650TP	46	3
SB30700020A	20	29~32	SL4031091SC	46	18	SM1040801SP	8	31
SB30700020B	20	29~32	SL4031091SC	52	41	SM1040801SP	14	31
SB30700020C	20	29~32	SL4031091SC	58	41	SM1040870TP	8	65
SB30700020D	20	29~32	SL4031481SC	10	86	SM1040870TP	10	65
SB30800100A	32	21~24	SL4031481SC	16	86	SM1040870TP	14	65
SB30800100B	32	21~24	SL4031691SC	96	11	SM1040870TP	16	65
SB30800100C	32	21~24	SL4032591SC	96	12	SM1040870TP	36	39
SB30800100D	32	21~24	SL4040691SC	12	91	SM1040870TP	68	50
SB31000110A	36	25~28	SL4040691SC	18	91	SM1041401SN	92	32
SB31000110B	36	25~28	SL4040691SC	76	31	SM1041601SC	10	76
SB31000110C	36	25~28	SL4040881SC	78	21	SM1041801SN	16	76
SB31000110D	36	25~28	SL4040891SC	6	30	SM1061201SN	86	21
SB312000600	54	87	SL4040891SC	10	63	SM2360110TP	50	20
SB312000600	60	87	SL4040891SC	16	63	SM4020600SP	50	18
SB33500020A	36	17~21	SL4040891SC	70	11	SM4030401SC	8	29
SB33500020B	36	17~21	SL4040891SC	76	44	SM4030401SC	14	29
SB33500020C	36	17~21	SL4040891SC	78	38	SM4030455SP	32	12
SB33500020D	36	17~21	SL4040891SC	80	38	SM4030501SF	74	15
SB33500020E	36	17~21	SL4040891SC	86	39	SM4030601SN	2	36
SB408000100	28	13	SL4040891SC	96	25	SM4030601SN	40	29
SB412000100	64	3	SL4041081SC	80	51	SM4040501SN	92	35
SB612000100	54	89	SL4041091SC	10	78	SM4040655SP	2	42
SB612000100	60	89	SL4041091SC	16	78	SM4040655SP	8	34
SD0350156TP	50	27	SL4041091SC	76	45	SM4040655SP	14	34
SD0400266TP	50	8	SL4041091SC	78	50	SM4040855SP	2	38
SD0650321TP	40	28	SL4041091SC	80	50	SM4040855SP	40	36
SD0800327TP	46	11	SL4041091SC	86	46	SM4041001SC	8	36
SD0800336TP	26	59	SL4043591SC	78	24	SM4041001SC	14	36
SD0800337TP	28	25	SL4051091SC	70	24	SM4041001SC	72	25
SD0800346TP	38	52	SL6040892TN	2	34	SM4041055SP	2	32
SD0800386TP	24	35	SL6040892TN	6	40	SM4041055SP	8	33
SD0800387TP	28	40	SL6040892TN	36	46	SM4041055SP	14	33

NUMERICAL INDEX OF PARTS

PART NO	PAGE	REF NO.	PART NO	PAGE	REF NO.	PART NO	PAGE	REF NO.
SM4041055SP	40	38	SM6040802TP	6	39	SM6060802TP	66	29
SM4041201SC	72	27	SM6040802TP	10	82	SM6061010TP	38	53
SM4041255SP	66	44	SM6040802TP	16	82	SM6061202TP	8	42
SM4041401SC	8	37	SM6040802TP	26	52	SM6061202TP	14	42
SM4041401SC	14	37	SM6040802TP	42	16	SM6061402TP	24	24
SM4042001SC	72	28	SM6040802TP	46	51	SM6061602TP	66	41
SM4050855SP	40	37	SM6040802TP	48	51	SM6061610SC	72	21
SM4051001SN	8	14	SM6040802TP	52	42	SM6061802TP	28	22
SM4051001SN	14	14	SM6040802TP	58	42	SM6061802TP	48	46
SM4051055SP	2	29	SM6040860TP	2	18	SM6062502TN	68	54
SM4051255SP	54	70	SM6040860TP	42	13	SM6087002TN	80	61
SM4051255SP	60	70	SM6040860TP	92	23	SM6450610TP	10	55
SM4051405SE	72	12	SM6041150TP	6	27	SM6450610TP	16	55
SM4051655SP	48	50	SM6041202TP	50	31	SM7030450SC	10	71
SM4055001SF	8	6	SM6041202TP	54	56	SM7030450SC	16	71
SM4055001SF	14	6	SM6041202TP	60	56	SM7751160TP	26	51
SM4061255SP	2	13	SM6041402TN	10	70	SM8030412TP	22	63
SM4061255SP	38	50	SM6041402TN	16	70	SM8030412TP	42	7
SM5040655SN	6	24	SM6041402TP	28	21	SM8040310SS	22	53
SM6020250TP	32	36	SM6041602TP	20	40	SM8040412TP	40	27
SM6020350SP	50	13	SM6050652TP	54	77	SM8040502TP	36	67
SM6020450TP	50	37	SM6050652TP	60	77	SM8040502TP	38	67
SM6020460TP	32	26	SM6050800SP	54	85	SM8040802TP	6	26
SM6030602TP	50	14	SM6050800SP	60	85	SM8050412TP	28	43
SM6030602TP	54	50	SM6050800SP	68	58	SM8050412TP	54	73
SM6030602TP	60	50	SM6050802TP	10	72	SM8050412TP	60	73
SM6031002TP	52	32	SM6050802TP	16	72	SM8050412TP	68	48
SM6031002TP	58	32	SM6050802TP	28	45	SM8050502TP	6	25
SM6031402TP	54	51	SM6051000SP	66	16	SM8050512TP	32	44
SM6031402TP	60	51	SM6051002TP	54	65	SM8050592TP	46	22
SM6040450TP	54	82	SM6051002TP	60	65	SM8050592TP	54	91
SM6040450TP	60	82	SM6051002TP	66	23	SM8050592TP	60	91
SM6040602TP	30	51	SM6051202TP	54	67	SM8050612TP	54	75
SM6040602TP	32	39	SM6051202TP	60	67	SM8050612TP	60	75
SM6040602TP	50	32	SM6051402TP	52	11	SM8050812TP	66	22
SM6040602TP	54	96	SM6051402TP	64	9	SM8060552TP	32	42
SM6040602TP	56	96	SM6051602TP	36	12	SM8060552TP	36	32
SM6040602TP	58	92	SM6051602TP	54	71	SM8060552TP	56	95
SM6040602TP	60	92	SM6051602TP	60	71	SM8060552TP	62	95
SM6040650TP	2	44	SM6051602TP	64	6	SM8060602TP	28	19
SM6040650TP	8	35	SM6051802TP	66	37	SM8060602TP	64	8
SM6040650TP	14	35	SM6052502TP	54	60	SM8060610TP	32	34
SM6040650TP	36	41	SM6052502TP	60	60	SM8060802TP	54	63
SM6040650TP	46	20	SM6053052TN	54	59	SM8060802TP	60	63
SM6040650TP	50	21	SM6060800SP	32	18	SM8060812TP	20	43

NUMERICAL INDEX OF PARTS

PART NO	PAGE	REF NO.	PART NO	PAGE	REF NO.	PART NO	PAGE	REF NO.
SM8060812TP	22	43	WP0320500SD	50	16	WP0561616SC	8	9
SM8060812TP	24	12	WP0320501SC	40	31	WP0561616SC	14	9
SM8060812TP	28	34	WP0320501SD	54	98	WP0611626SP	24	9
SM8060812TP	36	16	WP0320501SD	56	98	WP0611626SP	66	39
SM8060812TP	46	14	WP0320501SD	60	96	WP0641600SC	66	55
SM8060812TP	54	64	WP0320501SD	62	96	WP0641600SC	68	55
SM8060812TP	60	64	WP0330501SB	8	38	WP0641601SC	8	43
SM8061050TP	32	37	WP0330501SB	14	38	WP0641601SC	14	43
SM8061612TP	20	36	WP0430800SC	26	54	WP0641601SD	38	54
SM8061612TP	44	47	WP0430800SD	52	45	WP0651001SC	48	47
SM8480652TP	28	10	WP0430800SD	58	45	WP0820516SP	20	15
SM8480652TP	36	34	WP0430800SD	66	45	WP0841601SC	78	62
SM9087533SC	86	31	WP0430801SC	42	10	WP0841601SC	80	62
SM9124503SB	8	7	WP0430801SC	92	33	WP0841601SC	86	33
SM9124503SB	14	7	WP0450000SD	8	40	WP0850002SP	28	14
SM9129013SB	86	19	WP0450000SD	14	40	WP1221016SP	24	27
SS1060210TP	46	35	WP0450801SD	2	39	WP1221016SP	38	58
SS1060210TP	94	11	WP0450801SD	8	39	WP1302501SC	86	10
SS1110640TP	24	30	WP0450801SD	14	39	WP1302501SE	8	10
SS6090910SP	24	41	WP0450801SD	90	7~10	WP1302501SE	14	10
SS6110430TP	46	24	WP0450801SP	10	58	WP1612616SE	72	19
SS6110430TP	94	16	WP0450801SP	16	58	WS0451040KP	4	52
SS6111210SP	90	7~10	WP0450801SP	40	39	WS0451040KP	90	7~10
SS7090410SP	46	33	WP0450801SP	50	2	WS0510002KN	72	5
SS7090410SP	94	9	WP0450826SC	6	23	WS0610002KP	66	38
SS7110740TP	46	26	WP0450846SP	30	52	WS0820002KN	80	63
SS7110740TP	94	15	WP0450846SP	46	37	WS0820002KN	86	35
SS7111120TP	90	4~6	WP0450846SP	94	13	WS1220002KN	86	11
SS7111810TP	24	42	WP0510516SD	42	45	WS1253010KN	8	11
SS8110410TP	24	34	WP0520656SA	10	73	WS1253010KN	14	11
SS8660612TP	36	8	WP0520656SA	16	73	WS1643202KR	72	20
SS8660612TP	52	36	WP0520656SA	28	38	WZ0850302K0	28	28
SS8660612TP	58	36	WP0522016SH	28	39			
SS9151240SN	8	8	WP0531000SD	36	13			
SS9151240SN	14	8	WP0531000SD	52	93			
TA0550604R0	26	61	WP0531000SD	54	93			
TA0750404R0	24	21	WP0531000SD	56	93			
TA0850604R0	2	23	WP0531000SD	58	93			
TA1050504R0	2	24	WP0531000SD	60	93			
TA1050504R0	38	71	WP0531000SD	62	93			
TA2100904R0	2	10	WP0531000SD	64	11			
TA2100904R0	10	75	WP0531000SD	66	59			
TA2100904R0	16	75	WP0531000SD	68	59			
TA2351004R0	2	27	WP0531001SC	40	40			
WP0320500SC	50	6	WP0553216SD	90	7~10			