

MODEL : AE-200A

List No : 1527-01

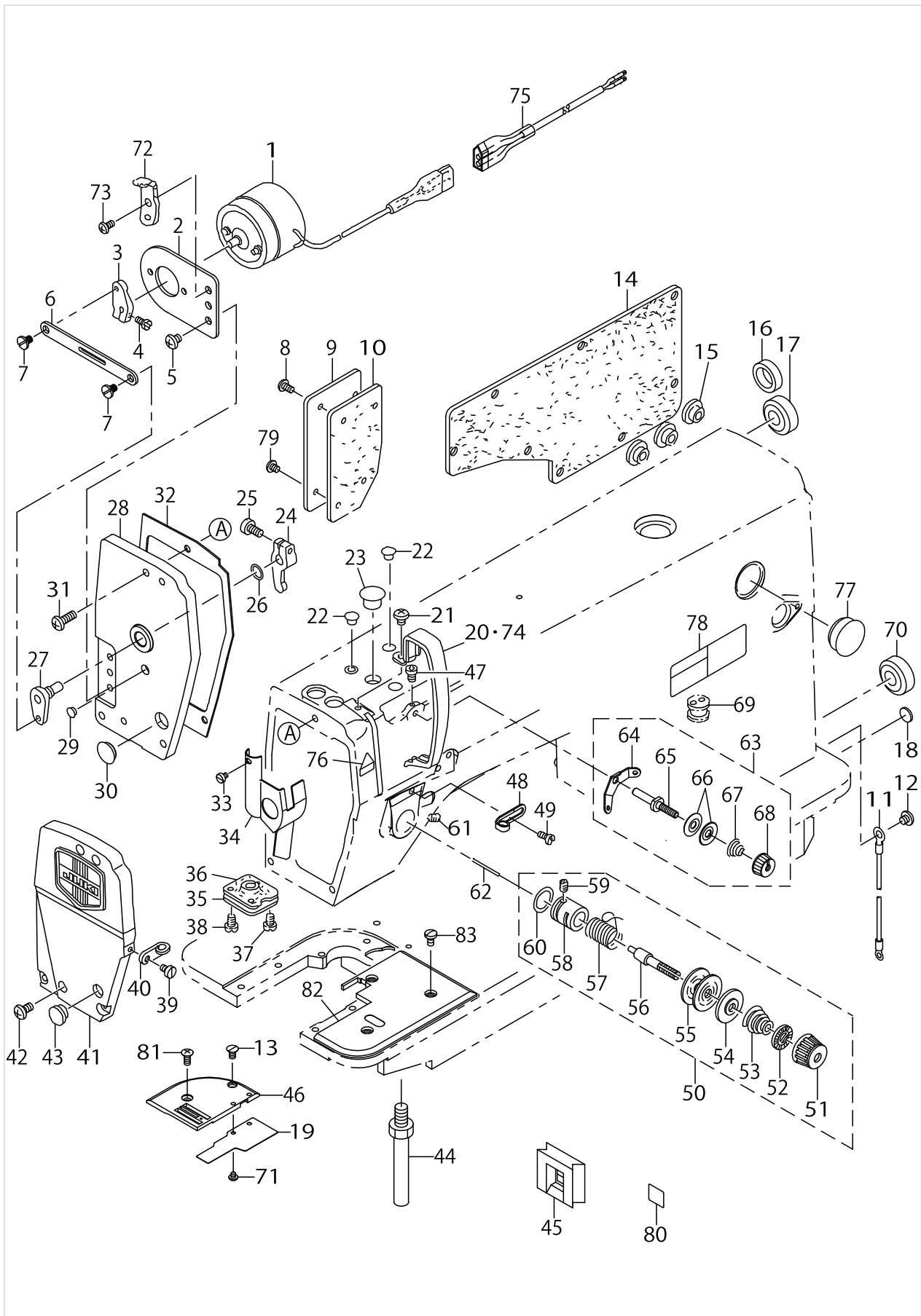
PARTS LIST

Published:05/12/2017

CONTENTS

MACHINE FRAME & MISCELLANEOUS COVER COMPONENTS	1
MAIN SHAFT & THREAD TAKE-UP LEVER COMPONENTS	5
NEEDLE BAR, UPRIGHT SHAFT & HOOK DRIVING SHAFT COMPONENTS	9
HAND LIFTER COMPONENTS	11
FEED MECHANISM COMPONENTS.....	15
TOP FEED MECHANISM COMPONENTS.....	19
TOP FEED MECHANISM & MOTOR COMPONENTS	23
THREAD TRIMMER COMPONENTS	27
AUTOMATIC REVERSE FEED COMPONENTS.....	31
OIL LUBRICATION COMPONENTS	33
MECHANISM & MISCELLANEOUS COVER COMPONENTS.....	35
MAIN SEWING TABLE COMPONENTS.....	39
BOBBIN WINDER UNIT	41
UPPER MANIPULATOR COMPONENTS	43
LOWER MANIPULATOR COMPONENTS.....	49
AUTOMATIC PRESSER LIFTER COMPONENTS.....	53
AIR COMPONENTS	55
CONTROL BOX COMPONENTS	57
OPERATION PANEL COMPONENTS	61
WIRING DIAGRAM	63
ACCESSORIE PART COMPONENTS	67
PIN TUCK COMPONENTS	71
BOBBIN THREAD REMAINING AMOUNT DETECTING COMPONENTS	73
STACKER COMPONENTS (1).....	77
STACKER COMPONENTS (2).....	81
CLOTH TABLE COMPONENTS.....	85
BOBBIN WINDER & PEDAL COMPONENTS	87
CLOTH GUIDE & SENSOR COMPONENTS.....	89
LIST FOR INFORMATION OF CHANGE.....	91
HOW TO MAKE USE OF THIS PARTS LIST	92

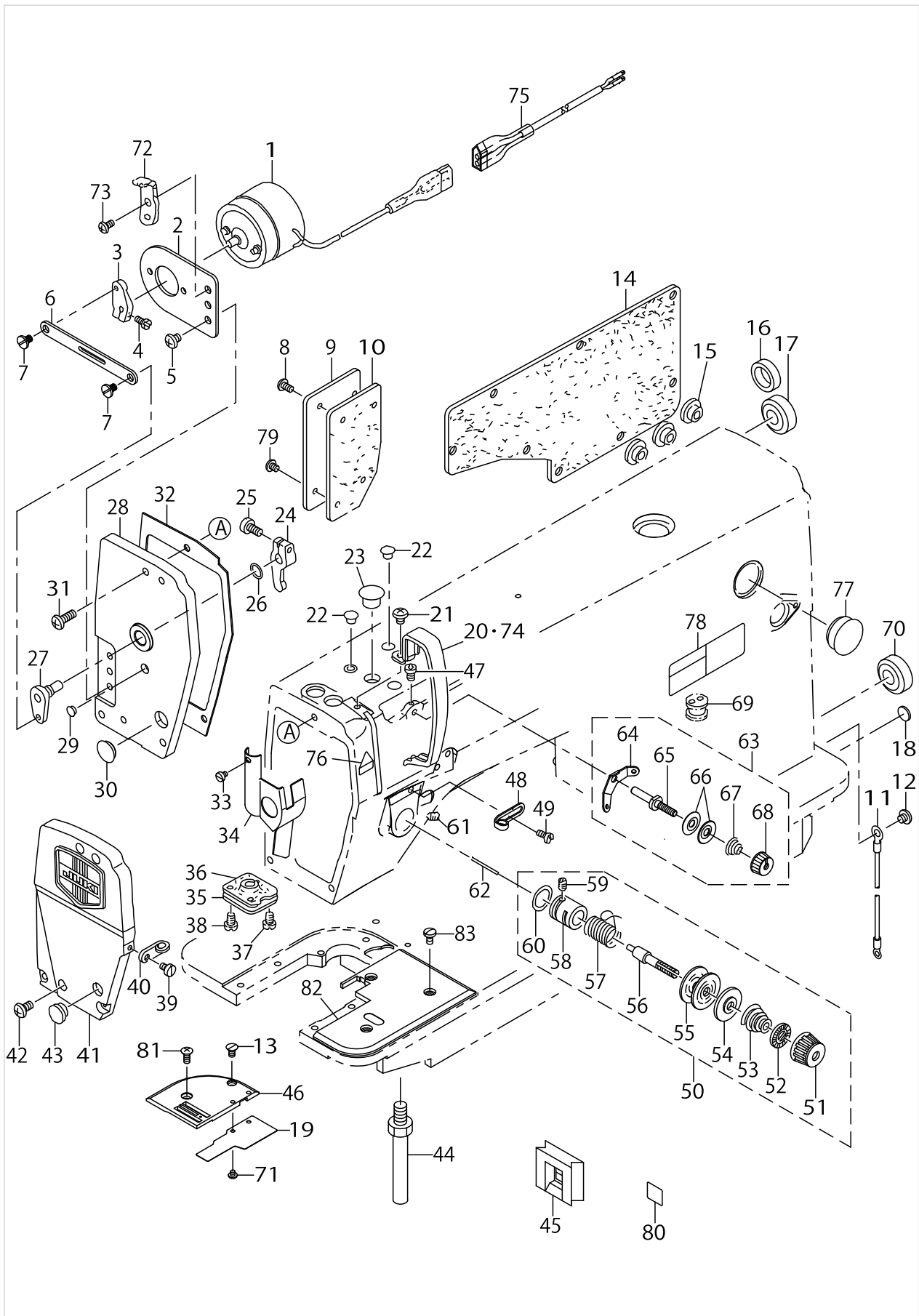
MACHINE FRAME & MISCELLANEOUS COVER COMPONENTS



MACHINE FRAME & MISCELLANEOUS COVER COMPONENTS

No.	Supply Code	Parts No.	Replacement	Parts name	Remarks	Choice	Step	Level	Cons	Qty	Rep. QTY
1		11281656		SOLENOID ASM.						1	
2		11275807		SOLENOID BASE						1	
3		11275708		SOLENOID ARM						1	
4		SS6111040SP		SCREW 11/64-40 L=9.5						1	
5		SS4120615SP		SCREW 3/16-28 L=6						1	
6		11275609		SOLENOID LINK						1	
7		SD0550212TP		HINGE SCREW D=5.5 H=2.1						2	
8		SS4120915SP		SCREW 3/16-28 L=9						3	
9		11255809		SIDE COVER						1	
10		11200607		GASKET						1	
11		40090869		EARTH CORD ASSY						1	
12		SS4120615SP		SCREW 3/16-28 L=6						1	
13		SS1110710SP		SCREW 11/64-40 L=7						1	
14		11003308		GASKET						1	
15		TA1470704R0		RUBBER PLUG						3	
16		TA1470702R0		RUBBER PLUG						1	
17		TA2101002R0		RUBBER PLUG						1	
18		22901805		GROUND MARK						1	
19		40098821		THROAT_PLATE_COVER						1	
20		22900609		THREAD TAKE-UP LEVER COVER						1	
21		SS4120615SP		SCREW 3/16-28 L=6						1	
22		TA0850604R0		RUBBER PLUG						2	
23		TA1250705R0		RUBBER PLUG						1	
24	R	11275302	11275351	WALKING FOOT ADJUSTING ARM						1	1.00
25		SS6121010SP		SCREW 3/16-28 L=10						1	
26		RO069180100		RUBBER RING						1	
27		11275450		WALKING FOOT ARM SHAFT ASM.						1	
28	R	11280351	11280369	FACE PLATE BASE ASM.						1	1.00
29		TA0750404R0		PLUG D=7.5 L=3.5						1	
30		TA1250406R0		RUBBER PLUG D=12.5 L=4						1	
31		SS4121415SP		SCREW 3/16-28 L=14						3	
32		11200201		GASKET						1	
33		SS6080410SP		SCREW 1/8-44 L=4						1	
34		22900757		FACE PLATE OIL SHIELD ASM.						1	
35		11200300		PRESSER BAR SUPPORT						1	
36		11200409		GASKET						1	
37		11200805		PRESSER BAR SUP- PORT SCREW B						1	
38		SS1120710SP		SCREW 3/16-28 L=6.5						2	
39		SS6110610TP		SCREW 11/64-40 L=6						1	
40		11331402		ARM THREAD GUIDE, B						1	
41		11280252		FACE PLATE ASM.						1	
42		SS4120915SP		SCREW 3/16-28 L=9						2	
43		TA1250406R0		RUBBER PLUG D=12.5 L=4						1	
44		22901003		BED SCREW STUD						4	
45		22935407		BED OIL SHIELD RUBBER						1	
46		40098870		THROAT_PLATE_B(THICK_USE)						1	

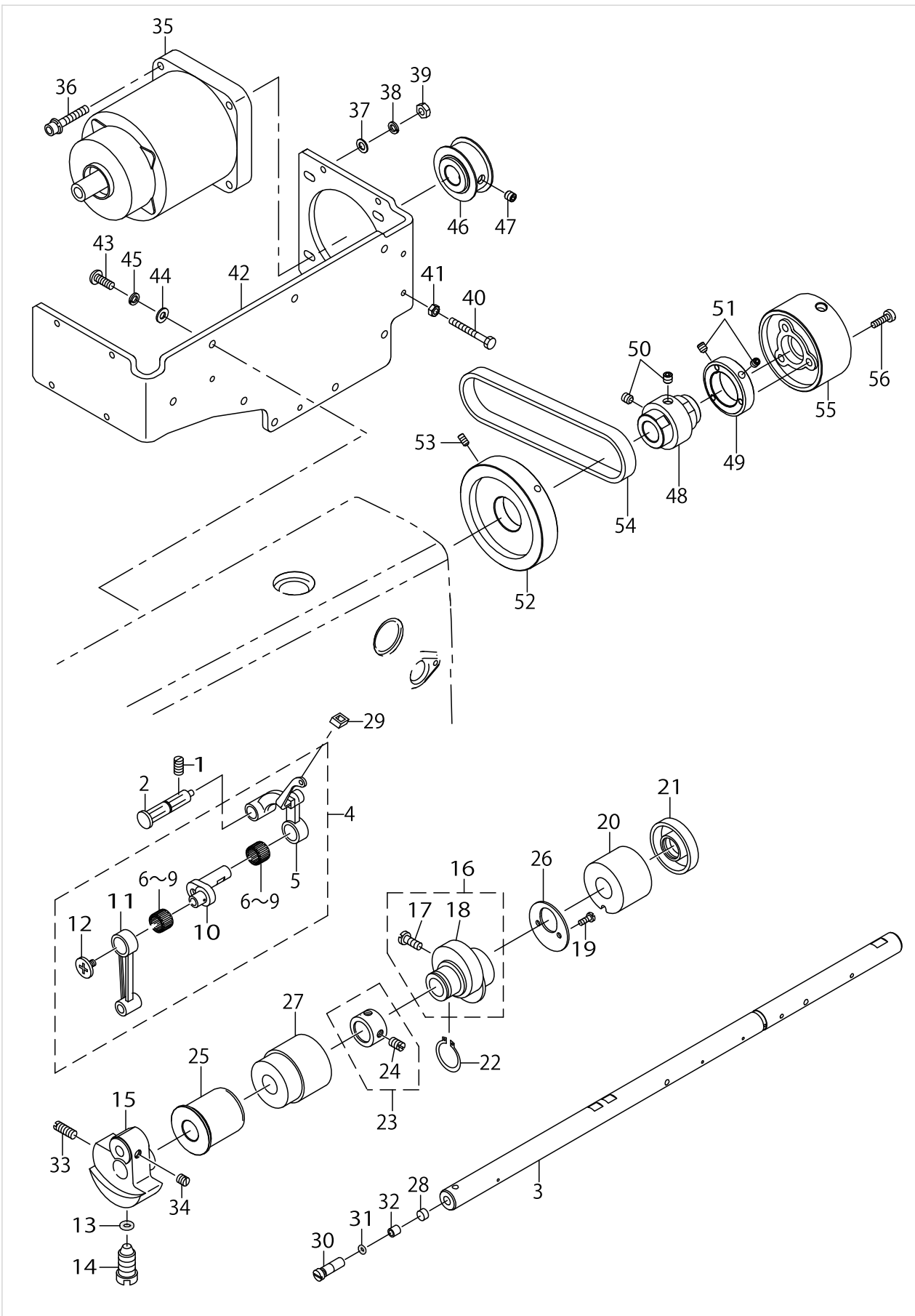
MACHINE FRAME & MISCELLANEOUS COVER COMPONENTS



MACHINE FRAME & MISCELLANEOUS COVER COMPONENTS

No.	Supply Code	Parts No.	Replacement	Parts name	Remarks	Choice	Step	Level	Cons	Qty	Rep. QTY
47		SS4120615SP		SCREW 3/16-28 L=6						1	
48		22920508		ARMTHREADGUIDEA						1	
49		22921001		SCREW						1	
50		11257359		THREAD TENSION ASM.						1	
51		22921308		THREAD TENSION NUT				*		1	
52		22921407		ROTATION STOPPER				*		1	
53		22921704		THREAD TENSION SPRING, A				*		1	
54		22921803		DISK STOPPER				*		1	
55		22921506		THREAD TENSION DISK				*		2	
56		22921209		THREAD TENSION POST				*		1	
57		22921605		THREAD TAKE-UP SPRING				*	☆	1	
58		11220209		TENSION POST SOCKET				*		1	
59		SS8090410SP		SCREW 9/64-40 L=3.5				*		1	
60		RO133170100		RUBBER RING				*		1	
61		SS8150822TP		SCREW 15/64-28 L=8						1	
62		B3118552C00		TENSION RELEASE PIN C						1	
63		22945463		THREAD TENSION ASM. ,NO.1						1	
64		22945414		THREAD TENSION POST				*		1	
65	R	22945604	22963458	THREAD TENSION GUIDE		A	DDL8700H-7/8700J--7/9000B, DLN6390-7	*		1	1.00
65	R	22945604	22945463	THREAD TENSION GUIDE		B	DDL8700-7 and so on	*		1	1.00
66		22945802		THREAD TENSION DISK				*		2	
67		22945505		THREAD TENSION SPRING				*		1	
68		22945703		THREAD TENSION NUT				*		1	
69		11100104		MAGNET CORD RUBBER						1	
70		TA2101002R0		RUBBER PLUG						1	
71		SS4060310SP		SCREW 3/32-56 L=2.5						2	
72		11276102		SOLENOID LINK STOPPER						1	
73		SS4120915SP		SCREW 3/16-28 L=9						2	
74		11415205		THREAD TAKE-UP LEVER COVER(JE)	FOR JE					1	
75		11281755		SOLENOID CABLE ASM.						1	
76		CM300200001		ATTENTION SEAL						1	
77		TA2351004R0		RUBBER PLUG						1	
78		CM301300001		SAFETY LABEL						1	
79		SS4120615SP		SCREW 3/16-28 L=6						1	
80		CM600100101		WEEE MARK LABEL S	FOR JE					1	
81		SS2110915SP		SCREW 11/64-40 L=8.5						1	
82		40098869		BED_UPPER_PLATE						1	
83		SS7110710SP		SCREW 11/64-40 L=7						3	

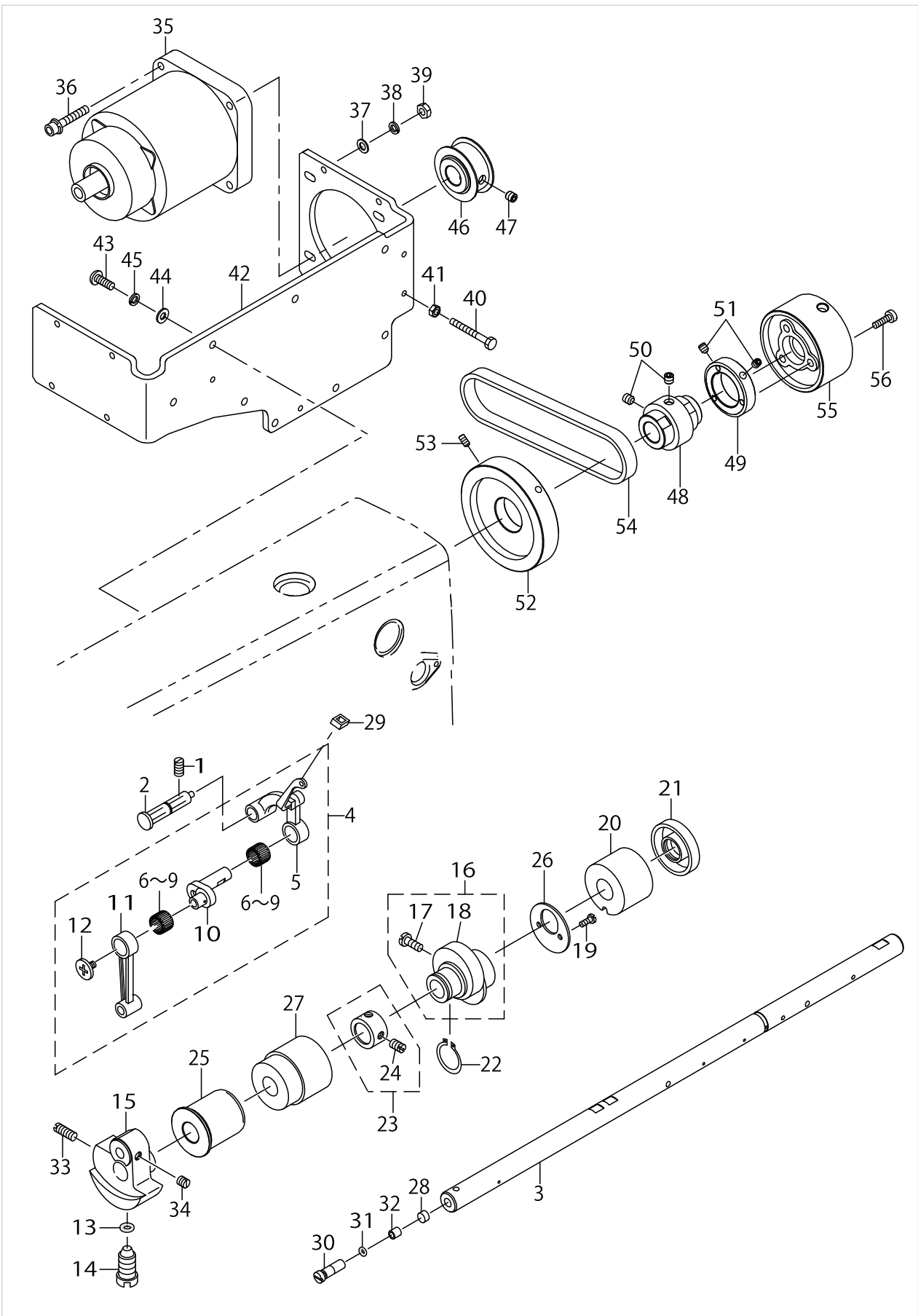
MAIN SHAFT & THREAD TAKE-UP LEVER COMPONENTS



MAIN SHAFT & THREAD TAKE-UP LEVER COMPONENTS

No.	Supply Code	Parts No.	Replacement	Parts name	Remarks	Choice	Step	Level	Cons	Qty	Rep. QTY
1	R	SS8151150SP	SS8151150TP	SCREW 15/64-28 L=10.5						1	1.00
2		22919559		THREAD TAKE-UP CRANK SHAFT ASM						1	
3		11202009		MAIN SHAFT						1	
4	R	11039070	22918072	THREAD TAKE-UP LEVER ASM.					☆	1	1.00
5	R	11039062	22918072	THREAD TAKE-UP LEVER ASM.				*		1	1.00
6		B1905541A00		NEEDLE BEARING, A	SELECTIVE PART			*		2	
7		B1905541B00		NEEDLE BEARING	SELECTIVE PART			*		2	
8		B1905541C00		NEEDLE BEARING	SELECTIVE PART			*		2	
9		B1905541D00		NEEDLE BEARING	SELECTIVE PART			*		2	
10	R	11005204	22918106	NEEDLE BAR CRANK				*		1	1.00
11	R	B1408552000	22906606	NEEDLE BAR CRANK ROD				*		1	1.00
12		B1903552000		LEFT SCREW				*		1	
13		RO044240100		RUBBER RING						1	
14		SS7681650TP		SCREW 9/32-28 L=16						1	
15	R	11202173	11202181	COUNTERWEIGHT ASM.						1	1.00
16		22910053		FEED DRIVE ECCENTRIC CAM ASM.						1	
17		SS6661110SP		SCREW 1/4-40 L=11				*		2	
18	R	22910004	22910053	FEED DRIVE ECCENTRIC CAM				*		1	1.00
19		SS4090615SP		SCREW 9/64-40 L=6						2	
20		11002409		MAIN SHAFT BUSHING, REAR						1	
21	R	11002508	40105231	OIL SEAL						1	1.00
22		RC1850001KP		SNAP RING 18.5						1	
23		22904155		MAIN SHAFT THRUST COLLAR ASM.						1	
24		SS8660610TP		SCREW 1/4-40 L=6				*		2	
25		11202207		MAIN SHAFT BUSHING, FRONT						1	
26		22910103		THRUST COLLAR						1	
27		11202306		BUSHING, INTERMEDIATE						1	
28		B1226552000		ROLLER FELT						1	
29		22919203		OIL PROTECTING RUBBER						1	
30		B1213552000A		OIL ADJUSTING PIN						1	
31		RO029180100		RUBBER RING						1	
32		B1215552000		OIL ADJUSTING COLLAR						1	
33		SS8681650TP		SCREW 9/32-28 L=16						1	
34		SS8660610TP		SCREW 1/4-40 L=6						2	
35		40050265		AC_SERVO_MOTOR						1	
36		SL6053092TN		SCREW						4	
37		WP0531000SD		WASHER M5						4	
38		WS0510002KP		SPRING WASHER 5.1X9.2X1.3						4	
39		NM6050001SP		NUT M5						4	
40		SM9043553TN		SCREW M4 L=35						2	
41		NM6040001SP		NUT M4X0.7						2	
42		40088033		MOTOR_BASE_PLATE						1	
43		SS4121415SP		SCREW 3/16-28 L=14						8	
44		WP0501016SD		WASHER 5X10.5X1						8	
45		WS0510002KP		SPRING WASHER 5.1X9.2X1.3						8	

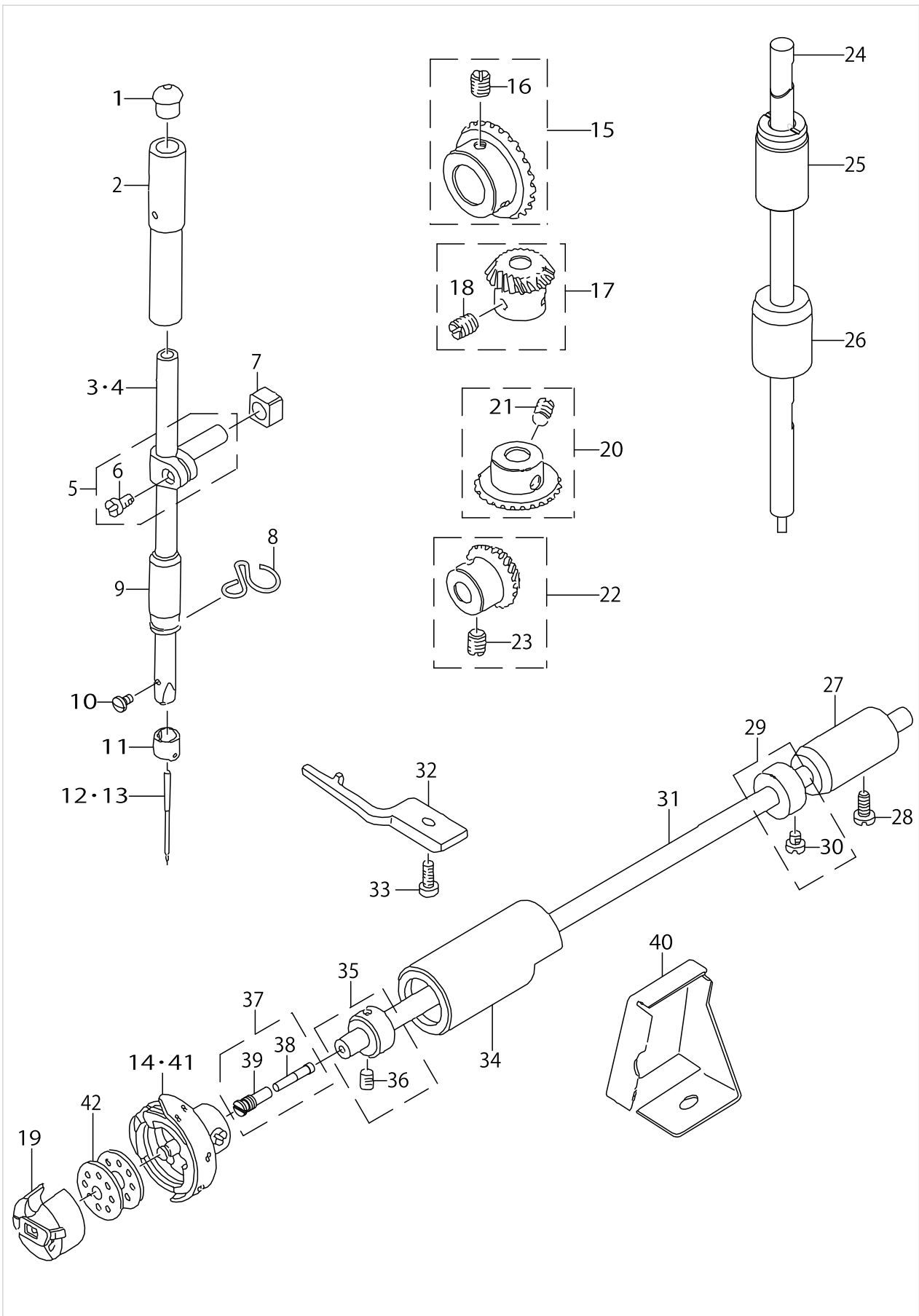
MAIN SHAFT & THREAD TAKE-UP LEVER COMPONENTS



MAIN SHAFT & THREAD TAKE-UP LEVER COMPONENTS

No.	Supply Code	Parts No.	Replacement	Parts name	Remarks	Choice	Step	Level	Cons	Qty	Rep. QTY
46		40088138		MOTOR_SHAFT_PULLEY						1	
47		SM8060612TP		SCREW M6 L=6						2	
48		40088139		MAIN_SHAFT_PULLEY						1	
49		40088140		FLYING WHEEL COLLAR						1	
50		SM8060612TP		SCREW M6 L=6						2	
51		SM8050612TP		SCREW M5X6						2	
52		40088141		FLANGE						1	
53		SM8040802TP		SCREW M4X8						2	
54		40088142		TIMING_BELT						1	
55		40088143		HAND_WHEEL						1	
56		SM6041410SC		SCREW M4X0.7 L=14						3	

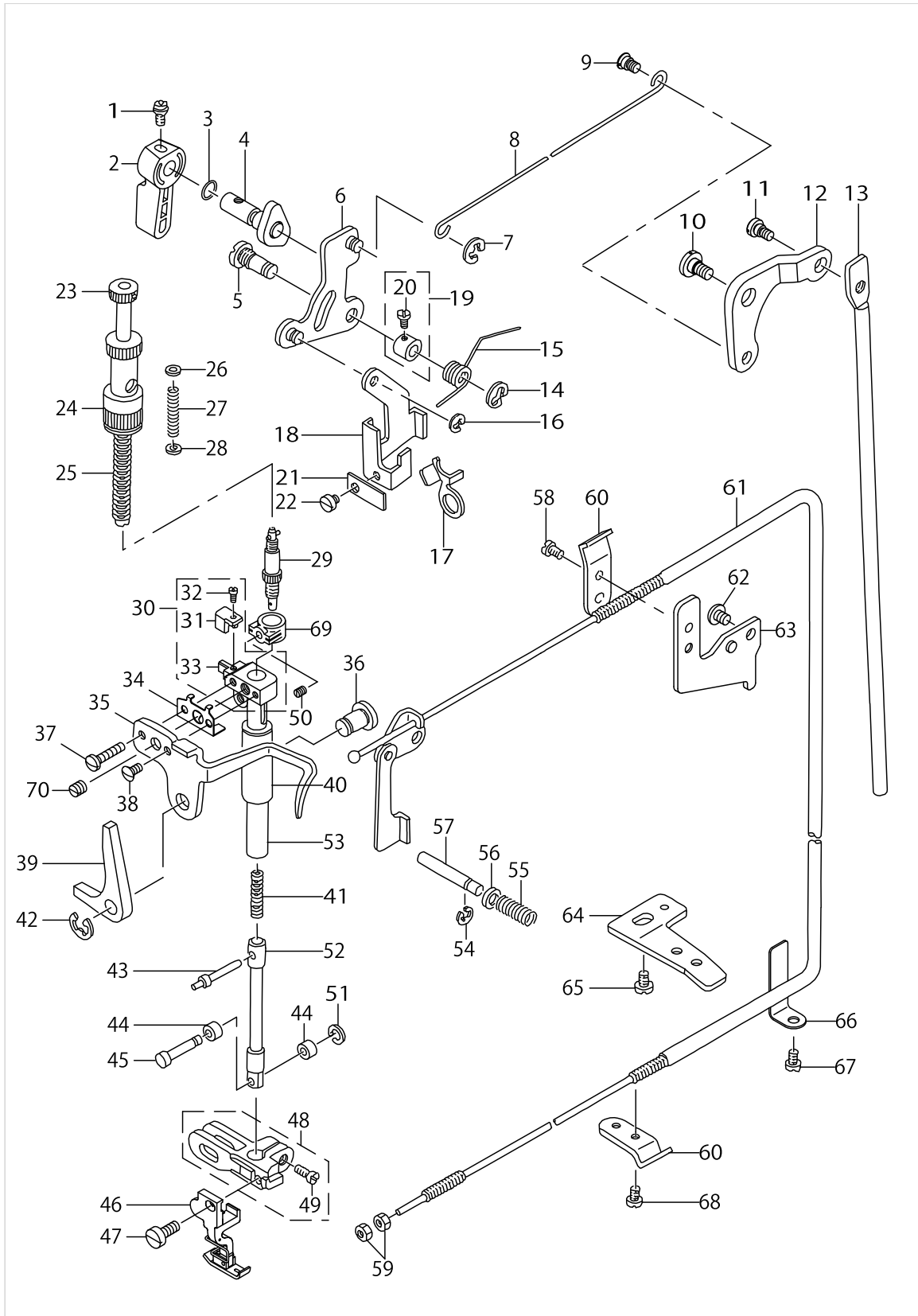
NEEDLE BAR, UPRIGHT SHAFT & HOOK DRIVING SHAFT COMPONENTS



NEEDLE BAR, UPRIGHT SHAFT & HOOK DRIVING SHAFT COMPONENTS

No.	Supply Code	Parts No.	Replacement	Parts name	Remarks	Choice	Step	Level	Cons	Qty	Rep. QTY
1		22901409		NEEDLE BAR UPPER BUSH CAP						1	
2		22906101		NEEDLE BAR BUSHING, UPPER						1	
3		B1401522A00A		NEEDLE BAR (A)						1	
4		B1401522B00A		NEEDLE BAR(B)	FOR JE					1	
5		22906457		NEEDLE BAR HOLDER ASM.						1	
6		SS6090670TP		SCREW 9/64-40 L=6				*		1	
7		B1414555000		SLIDE BLOCK						1	
8		22920805		NEEDLE BAR THREAD GUIDE						1	
9		22906200		NEEDLE BAR BUSHING, LOWER						1	
10		SS7080510TP		SCREW 1/8-44 L=4.5						1	
11		11331204		NEEDLE BAR THREAD GUIDE						1	
12		MDB100B1100		NEEDLE DBX1 #11					☆	1	
13		MC200500750		NEEDLE 134 75	FOR JE				☆	1	
14		11141355		HOOK ASM.	FOR JE				☆	1	
15		B13050120A0		GEAR ASM.						1	
16		SS8660810TP		SCREW 1/4-40 L=8				*		2	
17		B13061550A0		PINION ASM.						1	
18		SS8660810TP		SCREW 1/4-40 L=8				*		2	
19		11038759		BOBBIN CASE ASM.					☆	1	
20		B13071550A0		GEAR ASM. LARGE						1	
21		SS8660810TP		SCREW 1/4-40 L=8				*		2	
22		B13081550A0		PINION ASM.						1	
23		SS8660810TP		SCREW 1/4-40 L=8				*		2	
24		22905004		UPRIGHT SHAFT						1	
25		11203106		BUSHING, UPPER						1	
26		11004207		UPRIGHT SHAFT BUSHING, LOWER						1	
27		22916308		HOOK DRIVING SH- AFT BUSH, REAR						1	
28		SS4120915SP		SCREW 3/16-28 L=9						1	
29		CS0791016SH		THRUST HOLDER D=7.94 W=10						1	
30		SS6110420TP		SCREW 11/64-40 L=4.8				*		2	
31		22916001		HOOK DRIVING SHAFT						1	
32	R	11038809	22942502	BOBBIN CASE HOLDER						1	1.00
33		SS4110915TP		SCREW 11/64-40 L=9						1	
34		22916100		HOOK DRIVING SH- AFT BUSH, FRONT						1	
35	R	CS0790731SH	CS079073ASH	THRUST COLLAR						1	1.00
36		SS8110410TP		SCREW 11/64-40 L=3.5				*		2	
37		22916555		OILSEALSCREWASM.						1	
38		11015906		OIL WICK				*		1	
39	R	B1808552000	22916506	OIL SEAL SCREW				*		1	1.00
40		22942601		OIL SHIELD						1	
41		11038650		HOOK ASM.					☆	1	
42		22932909		BOBBIN					☆	1	

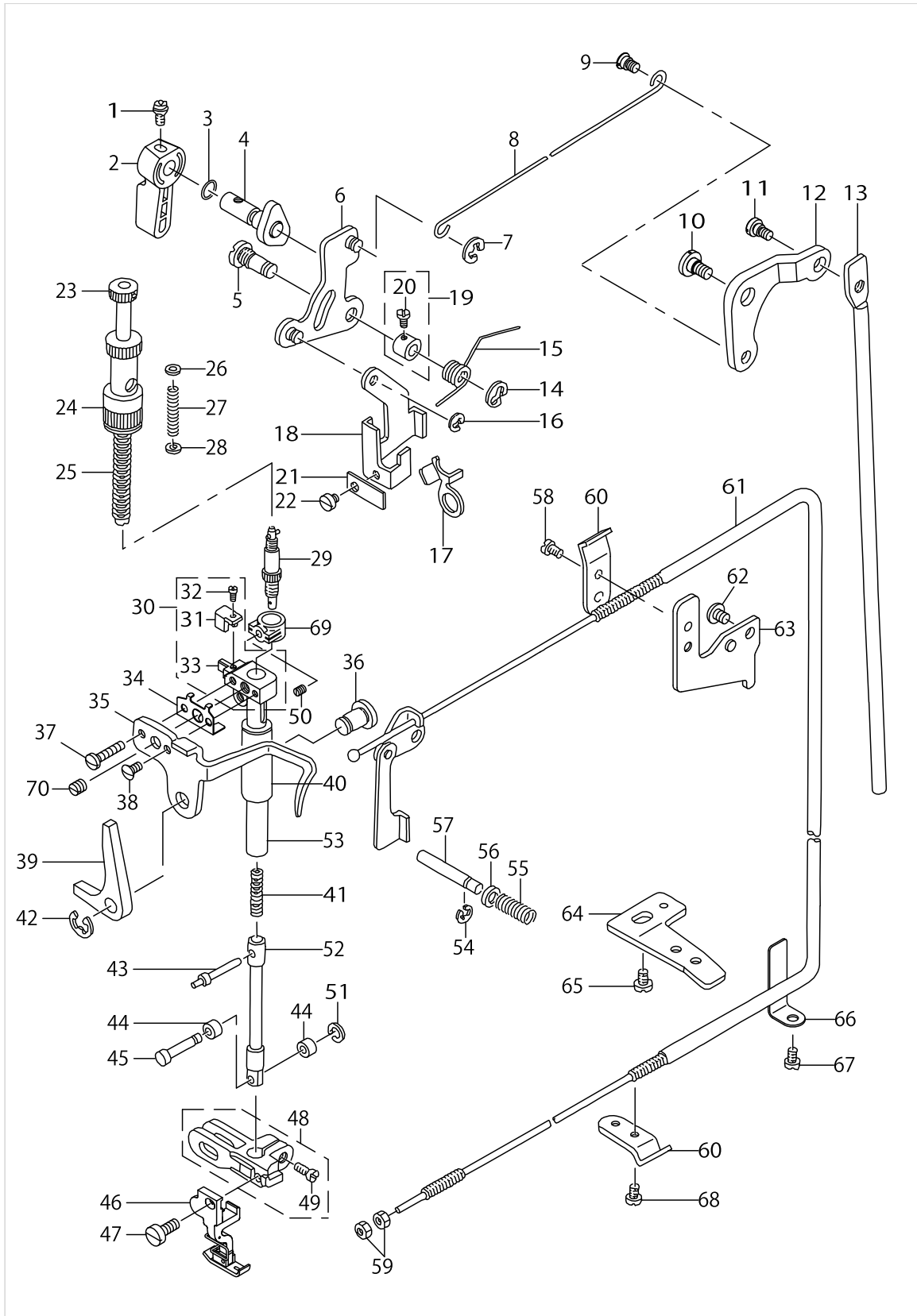
HAND LIFTER COMPONENTS



HAND LIFTER COMPONENTS

No.	Supply Code	Parts No.	Replacement	Parts name	Remarks	Choice	Step	Level	Cons	Qty	Rep. QTY
1		B1521555000		SCREW						1	
2		22907802		HAND LIFTER						1	
3		RO037180100		RUBBER RING						1	
4		22908552		HAND LIFTER CAM ASM.						1	
5		11205218		LIFTING LEVER LINK SHAFT						1	
6	R	11006350	22908354	HAND LIFTER LINK						1	1.00
7		RE0500000K0		E-RING						1	
8		22908305		KNEE LIFTER SIDE ROD						1	
9		22908909		HINGE SCREW						1	
10		SD0720331SP		HINGE SCREW D=7.24 H=3.3						1	
11		SD0600322SD		HINGE SCREW D=6 H=3.2						1	
12		11205309		LIFTING LEVER LINK						1	
13		11205408		CONNECTING ROD						1	
14		RE0500000K0		E-RING						1	
15		11230802		SPRING						1	
16		RE0500000K0		E-RING						1	
17		11220100		TENSION RELEASE PLATE						1	
18	D	11271004		LIFTING LEVER						1	
19	R	CS0640611SP	CS064061ASP	THRUST HOLDER						1	1.00
20		SS7090620TP		SCREW 9/64-40 L=6.1				*		1	
21		11271301		PRESSER PLATE						1	
22		SS6110480SP		SCREW 11/64-40 L=4.3						1	
23		11204559		PRESSER SPRING REGULATOR ASM.						1	
24		11204609		NUT						1	
25		22907406		PRESSER SPRING						1	
26		WP0650816SP		WASHER						1	
27		11205002		GUIDE BAR SPRING						1	
28		WP0661016SP		WASHER						1	
29		11217353		CAP ASM.						1	
30		11204161		PRESSER ROD HOLDER ASM.						1	
31	R	11204211	11204161	BRACKET GUIDE				*		1	1.00
32		SS4080620TP		SCREW 1/8-44 L=6				*		1	
33	R	11204112	11204161	PRESSER BAR GUIDE BRACKET				*		1	1.00
34		11204302		BRACKET PLATE						1	
35		11271103		PRESSER BAR THREAD GUIDE						1	
36		11271202		SHAFT PIN						1	
37		SS7110910TP		SCREW 11/64-40 L= 8.5						1	
38		SS2090810SP		SCREW 9/64-40 L=7.5						1	
39		11216801		DRIVING PRESSER ARM						1	
40		11204401		BUSHING						1	
41		11217601		WALKING FOOT SPRING						1	
42		RE0400000K0		E-RING 4						1	
43		11275005		DRIVING BAR PIN						1	
44		11217213		ROLLER						2	
45		11217114		ROLLER SHAFT						1	
46		40088257		COMPENSATING_PRESSER_ASM.						1	

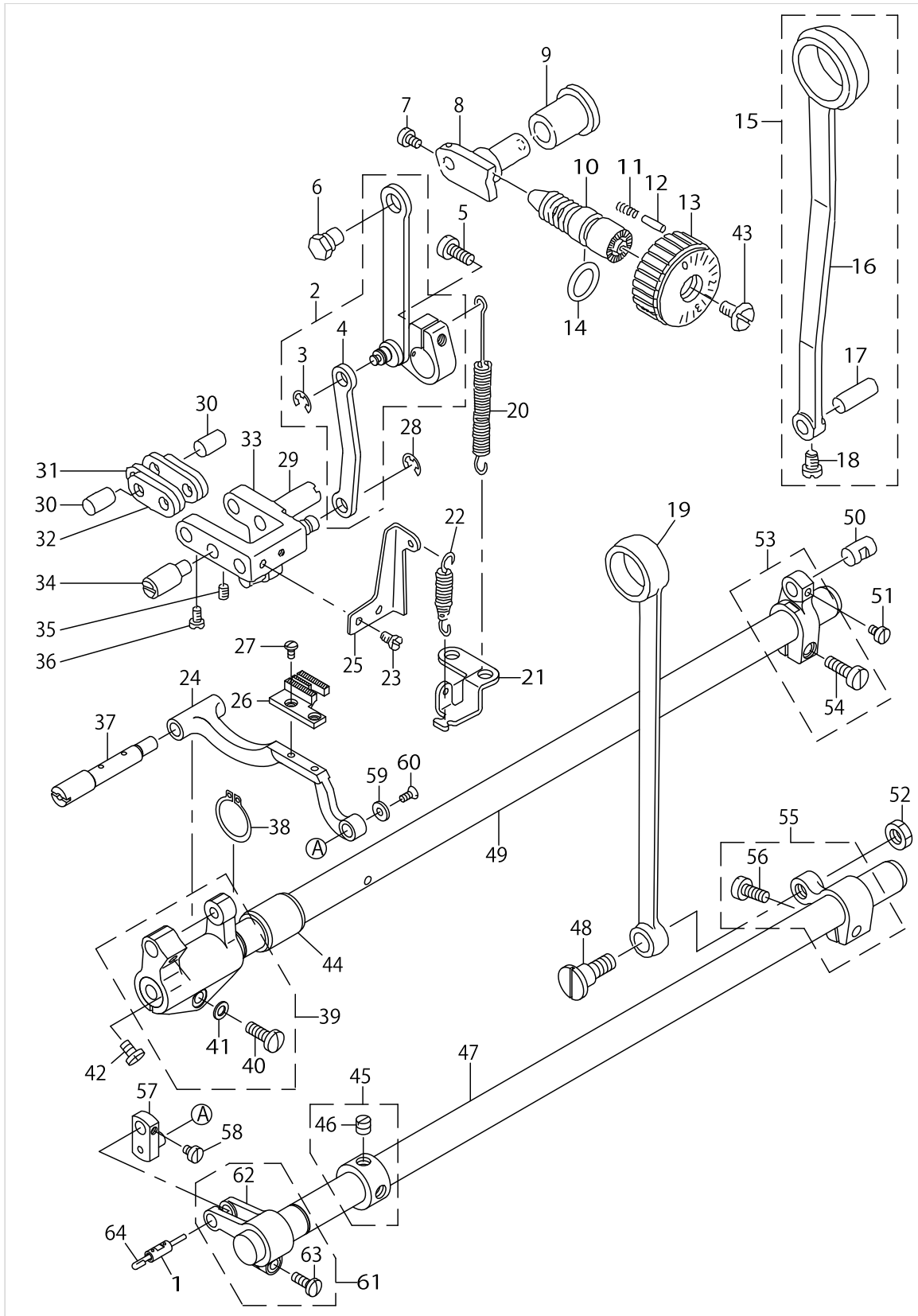
HAND LIFTER COMPONENTS



HAND LIFTER COMPONENTS

No.	Supply Code	Parts No.	Replacement	Parts name	Remarks	Choice	Step	Level	Cons	Qty	Rep. QTY
47		SS6121220TP		SCREW 3/16-28 L=11.5						1	
48		11215258		PRESSER BAR BASE ASM.						1	
49		SS6121220TP		SCREW 3/16-28 L=11.5				*		1	
50		SS8110422TP		SCREW 11/64-40 L=4						1	
51		RC0260415KP		SNAP RING						1	
52		11230117		DRIVING BAR						1	
53		11204013		PRESSER BAR						1	
54		RE0400000K0		E-RING 4						1	
55		22920409		THREAD RELEASE PIN SPRING						1	
56		11220308		THRUST WASHER						1	
57		11220001		PIN						1	
58		SS4110515SP		SCREW 11/64-40 L=5						1	
59		NS6620310SP		NUT 3/16-32						2	
60		22944508		WIRE PRESSER A						2	
61		11230562		WIRE TUBE						1	
62		SS4120615SP		SCREW 3/16-28 L=6						1	
63		22944607		WIRE PRESSER BASE, UPPER						1	
64		22962807		WIRE PRESSER BASE B, LOWER						1	
65		SS7110740TP		SCREW 11/64-40 L=7						1	
66		22945109		WIRE CABLE SUPPORT						1	
67		SS4120615SP		SCREW 3/16-28 L=6						1	
68		SS4110515SP		SCREW 11/64-40 L=5						1	
69		11205507		PRESSER ROD STOPPER						1	
70		SS8660610TP		SCREW 1/4-40 L=6						1	

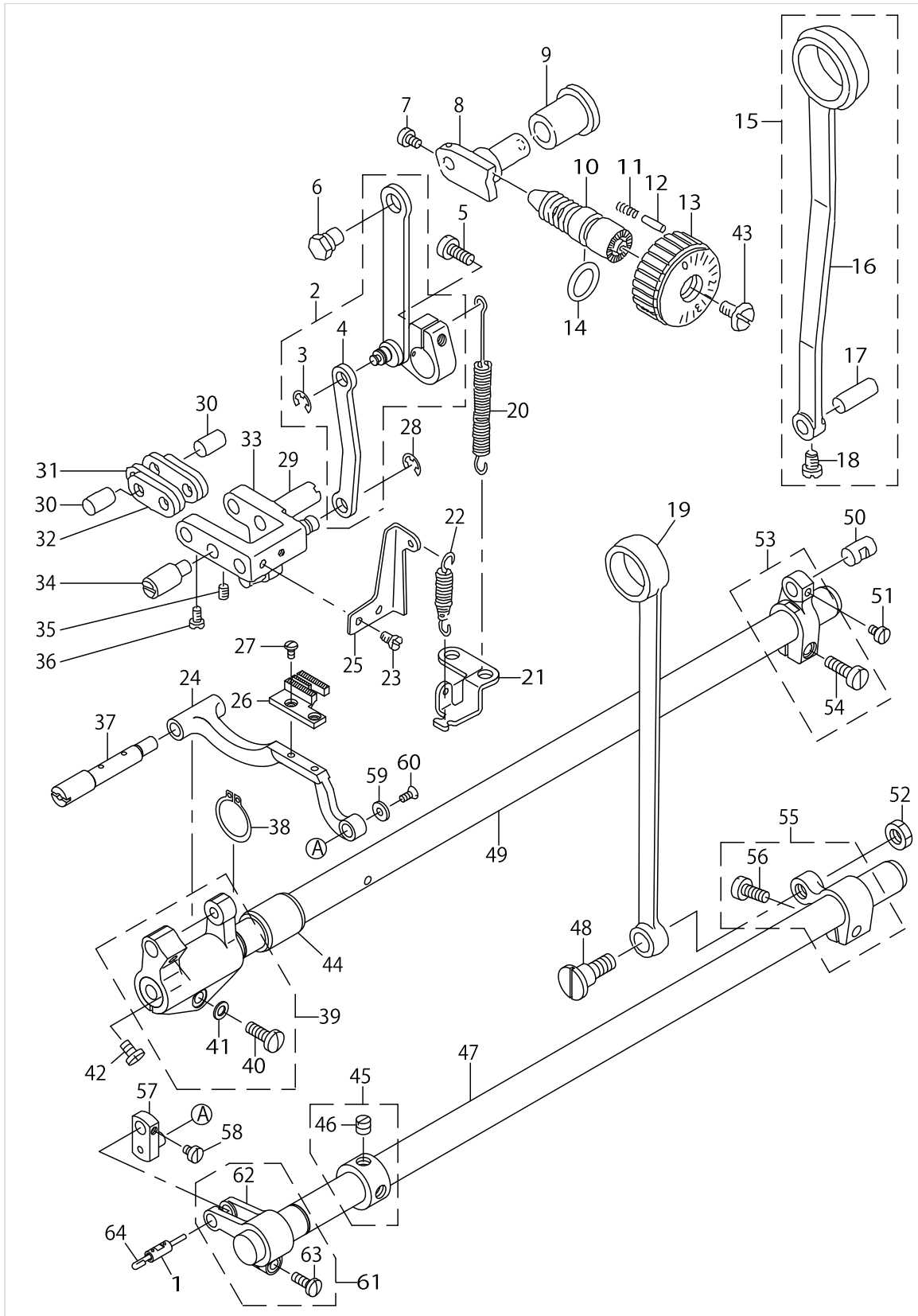
FEED MECHANISM COMPONENTS



FEED MECHANISM COMPONENTS

No.	Supply Code	Parts No.	Replacement	Parts name	Remarks	Choice	Step	Level	Cons	Qty	Rep. QTY
1		B170647000B		LINK SHAFT						1	
2		11206463		FEED CHANGING ARM ASM.						1	
3		RE0500000K0		E-RING				*		1	
4	R	11206208	11206463	CONNECTING ROD B				*		1	1.00
5		SS6121220TP		SCREW 3/16-28 L=11.5						1	
6		11206307		FEED REGULATOR PIN						1	
7		SS6090670TP		SCREW 9/64-40 L=6						2	
8		11206406		FEED REGULATOR						1	
9		11273406		FEED REGULATOR BUSHING						1	
10		22911804		FEED REGULATOR SCREW						1	
11		22912109		FEED REGULATOR PIN SPRING						1	
12		22912000		FEED REGULATOR PIN						1	
13		22940506		FEED DIAL						1	
14		RO092270200		RUBBER RING						1	
15		40080424		CONNECTING ROD ASM.						1	
16	R	11206000	40080424	CONNECTING ROD				*		1	1.00
17		22911101		WALKING FOOT PIN C				*		1	
18		SS6090620TP		SCREW				*		1	
19	R	11014008	22915003	CONNECTING ROD						1	1.00
20		11010311		FEED REVERSE SPRING						1	
21		22962203		FEED SPRING HOOK						1	
22		11091204		ADJUST LINK SPRING						1	
23		SS4110515SP		SCREW 11/64-40 L=5						2	
24		18050401		FEED BAR						1	
25		22941306		REGULATOR LINK SPRING HOOK						1	
26		22881403		FEED DOG B						1	
27		SS4080620TP		SCREW 1/8-44 L=6						2	
28		RE0500000K0		E-RING						1	
29		40010395		ADJUSTING LINK F- ULCRUM SHAFT B						1	
30		22910905		WALKING FOOT PIN A						2	
31	R	11008703	40089548	WALKING FOOT LINK						2	1.00
32	R	11008604	40093417	CONNECTING LINK A						2	1.00
33		22940951		FEED ADJUST LINK ASM.						1	
34		22910806		ADJUST LINK FULCRUM SHAFT A						1	
35		SS8150710TP		SCREW 15/64-28 L=7						1	
36		SS6090620TP		SCREW						2	
37		22940803		FEED BAR SHAFT						1	
38		RC0150001KP		RETAINING RING 13.8						1	
39		22940654		FEED ROCKER ASM.						1	
40		SS7121410TP		SCREW 3/16-28 L=14				*		1	
41		WP0480856SP		WASHER 4.8X8.4X0.8				*		1	
42		SS7110740TP		SCREW 11/64-40 L=7						1	
43		SS6121860SP		SCREW 3/16-28 L=18						1	
44		22913008		FEED ROCKER SHAFT BUSHING						1	
45		22904155		MAIN SHAFT THRU- ST COLLAR ASM.						1	

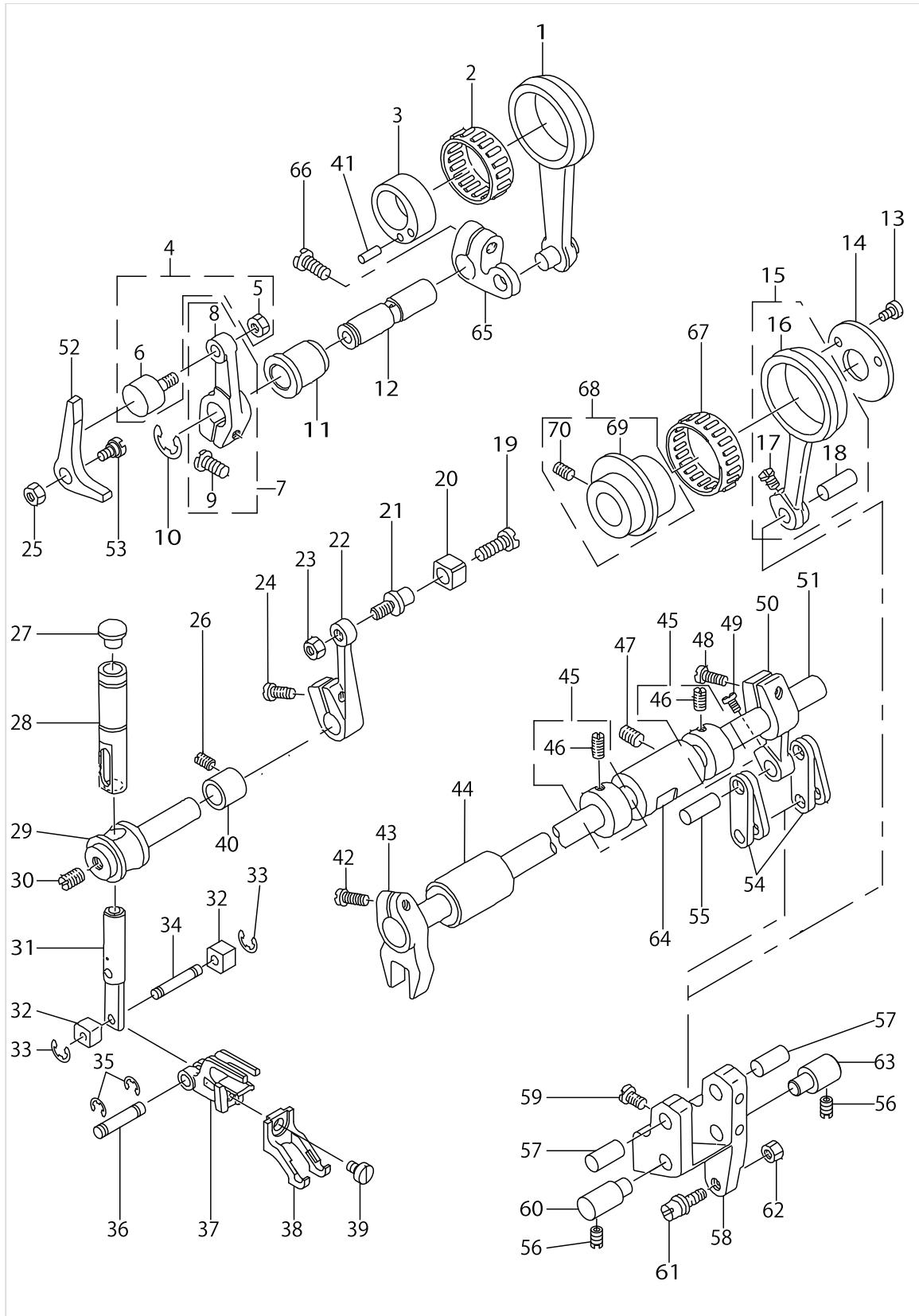
FEED MECHANISM COMPONENTS



FEED MECHANISM COMPONENTS

No.	Supply Code	Parts No.	Replacement	Parts name	Remarks	Choice	Step	Level	Cons	Qty	Rep. QTY
46		SS8660610TP		SCREW 1/4-40 L=6				*		1	
47		22915201		FEED DRIVING SHAFT						1	
48		SD1000801SH		HINGE SCREW D=10 H=8						1	
49		22912901		FEED ROCKERSHAFT						1	
50		22911002		WALKING FOOT PIN B						1	
51		SS6090620TP		SCREW						1	
52		NS6680410SP		NUT 9/32-28						1	
53		22910350		FEED ROCKER SHAFT CRANK ASM.						1	
54		SS6121610SP		SCREW 3/16-28 L=15.5				*		1	
55		22915151		FEED ARM COMPL.						1	
56		SS6121210SP		SCREW 3/16-28 L=12				*		1	
57		B1705470000		FEED BAR LINK						1	
58		SS6090510TP		SCREW 9/64-40 L=5.0						1	
59		B1715481000		COUNTER-SUNK WASHER						1	
60		SS1080510SP		SCREW 1/8-44 L=5						1	
61		40089401		FEED DRIVING ARM ASM.						1	
62	D	B1704470000		FEED DRIVING ARM				*		1	
63		SS7111120TP		SCREW				*		1	
64		CQ202000000		OIL WICK						.05	

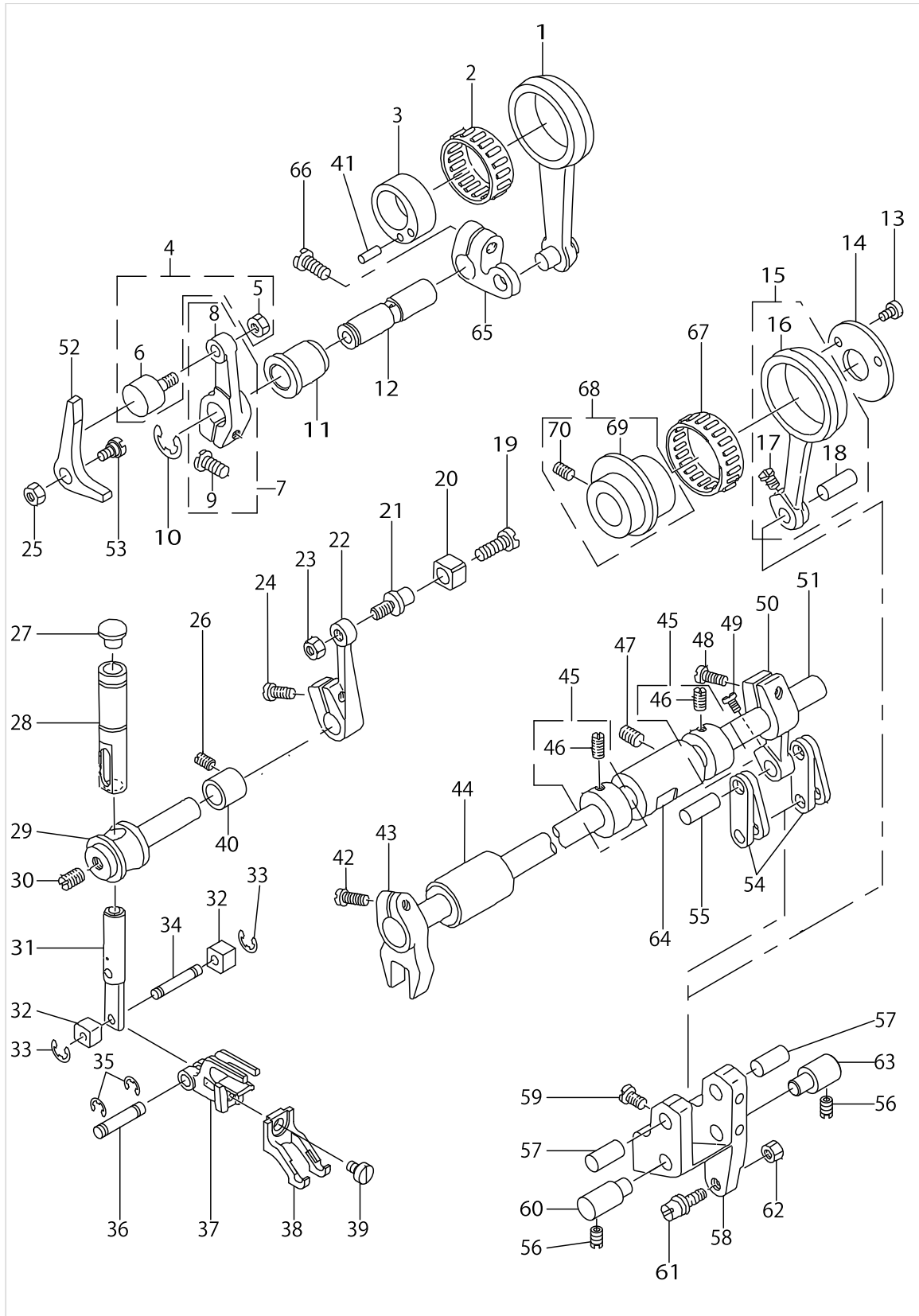
TOP FEED MECHANISM COMPONENTS



TOP FEED MECHANISM COMPONENTS

No.	Supply Code	Parts No.	Replacement	Parts name	Remarks	Choice	Step	Level	Cons	Qty	Rep. QTY
1		11216157		WALKING FOOT DRIVING ROD ASM.						1	
2		B1609804B00		NEEDLE BEARING						1	
3	R	11216009	40095789	WALKING FOOT DRIVING CAM						1	1.00
4	D	11216751		DRIVING ROLLER ASM.						1	
5		NM6040001SD		NUT M4				*		1	
6		11216702		DRIVING ROLLER				*		1	
7		11216652		VERTICAL ARM ASM. FRONT						1	
8	R	11216603	11216652	DRIVING ARM, FRONT				*		1	1.00
9		SS6121250TP		SCREW 3/16-28 L=11.5				*		1	
10		RE0700000K0		E-RING 7						1	
11		11216504		DRIVING SHAFT BUSHING						1	
12		11216405		WALKING FOOT DRIVING SHAFT						1	
13		SS6090630TP		SCREW 9/64-40 L=6						2	
14		11210119		THRUST COLLAR						1	
15		40078218		WALKING FOOT DRIVING ROD ASM.						1	
16		11210200		WALKING FOOT DRIVING ROD				*		1	
17		SS7090910TP		SCREW 9/64-40 L=8.5				*		1	
18		22911101		WALKING FOOT PIN C				*		1	
19		SS7110570SP		SCREW 11/64-40 L=4.8						1	
20		11214301		ROLLER						1	
21		11214202		WALING FOOT HORIZONTAL LOWER						1	
22	R	11214103	11214152	FEED ROCKER SHAFT CRANK, LOWER						1	1.00
23		NS6120310SP		NUT 3/16-28						1	
24		SS6121220TP		SCREW 3/16-28 L=11.5						1	
25		NS6620310SP		NUT 3/16-32						1	
26		SS8120410SP		SCREW 3/16-28 L=3.8						1	
27		TA0850604R0		RUBBER PLUG						1	
28		11214608		FEED ROCKER BAR BUSHING						1	
29		11214400		FEED ROCKER SHAFT						1	
30		SS8150410TP		SCREW 15/64-28 L=4.0						1	
31		11214756		HORIZONTAL BAR ASM.						1	
32		11215118		ROLLER						2	
33		RC0330415KP		SNAP RING						2	
34		11215019		ROLLER SHAFT						1	
35		RC0330415KP		SNAP RING						2	
36		11214806		PIN						1	
37		11214905		WALKING FOOT MOUNT						1	
38		22881304		UPPER FEED PRESSER						1	
39		SS6110610TP		SCREW 11/64-40 L=6						2	
40		11214509		BUSHING						1	
41	D	B3016450000A		PIN						1	
42		SS6121220TP		SCREW 3/16-28 L=11.5						1	
43	R	11214004	11214053	FEED ROCKER SHAFT CRANK, UPPER						1	1.00
44		11211000		ROCK SHAFT BUSHING, FRONT						1	

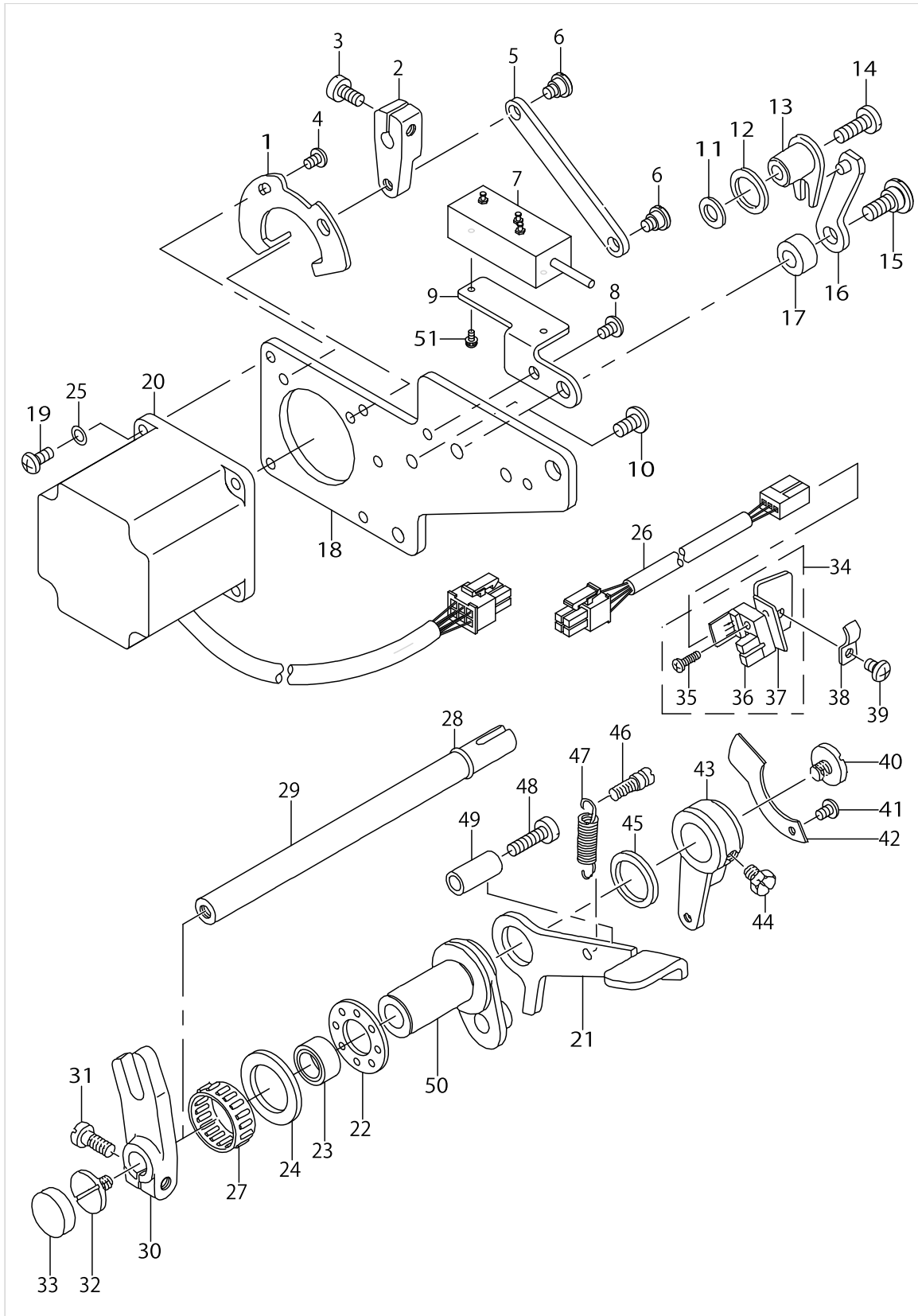
TOP FEED MECHANISM COMPONENTS



TOP FEED MECHANISM COMPONENTS

No.	Supply Code	Parts No.	Replacement	Parts name	Remarks	Choice	Step	Level	Cons	Qty	Rep. QTY
45		GS120101BSH		THRUST COLLAR ASM.						2	
46		SS8660410SP		SCREW 1/4-40 L=4.2				*		4	
47		SS8120740SP		SCREW 3/16-28 L=7						1	
48		SS6121220TP		SCREW 3/16-28 L=11.5						1	
49		SS7090910TP		SCREW 9/64-40 L=8.5						1	
50	R	11210705	11210754	WALKING FOOT ARM						1	1.00
51		11210804		WALKING FOOT ROCK SHAFT						1	
52		11216801		DRIVING PRESSER ARM						1	
53		SD0640451TP		HINGE SCREW D=6.35 H=4.5						1	
54	R	11008703	40089548	WALKING FOOT LINK						4	1.00
55		22911002		WALKING FOOT PIN B						1	
56		SS8120740SP		SCREW 3/16-28 L=7						2	
57		22910905		WALKING FOOT PIN A						2	
58		11210325		WALKING FOOT ADJUSTING LINK						1	
59		SS4090815SP		SCREW 9/64-40 L=8						2	
60		11210507		WALKING FOOT FU- LCRUM SHAFT A						1	
61		11210408		WALKING FOOT ADJUSTING PIN						1	
62		NS6620310SP		NUT 3/16-32						1	
63		11210614		FULCRUM SHAFT B						1	
64		11210903		ROCK SHAFT BUSHING, REAR						1	
65	R	11216306	11216355	DRIVING ARM, REAR						1	1.00
66		SS6121220TP		SCREW 3/16-28 L=11.5						1	
67		B412352200B		NEEDLE ROLLAR						1	
68		11210051		LEVEL CAM ASM.						1	
69	R	11210002	11210051	CAM				*		1	1.00
70		SS8660530TP		SCREW 1/4-40 L=4.5				*		2	

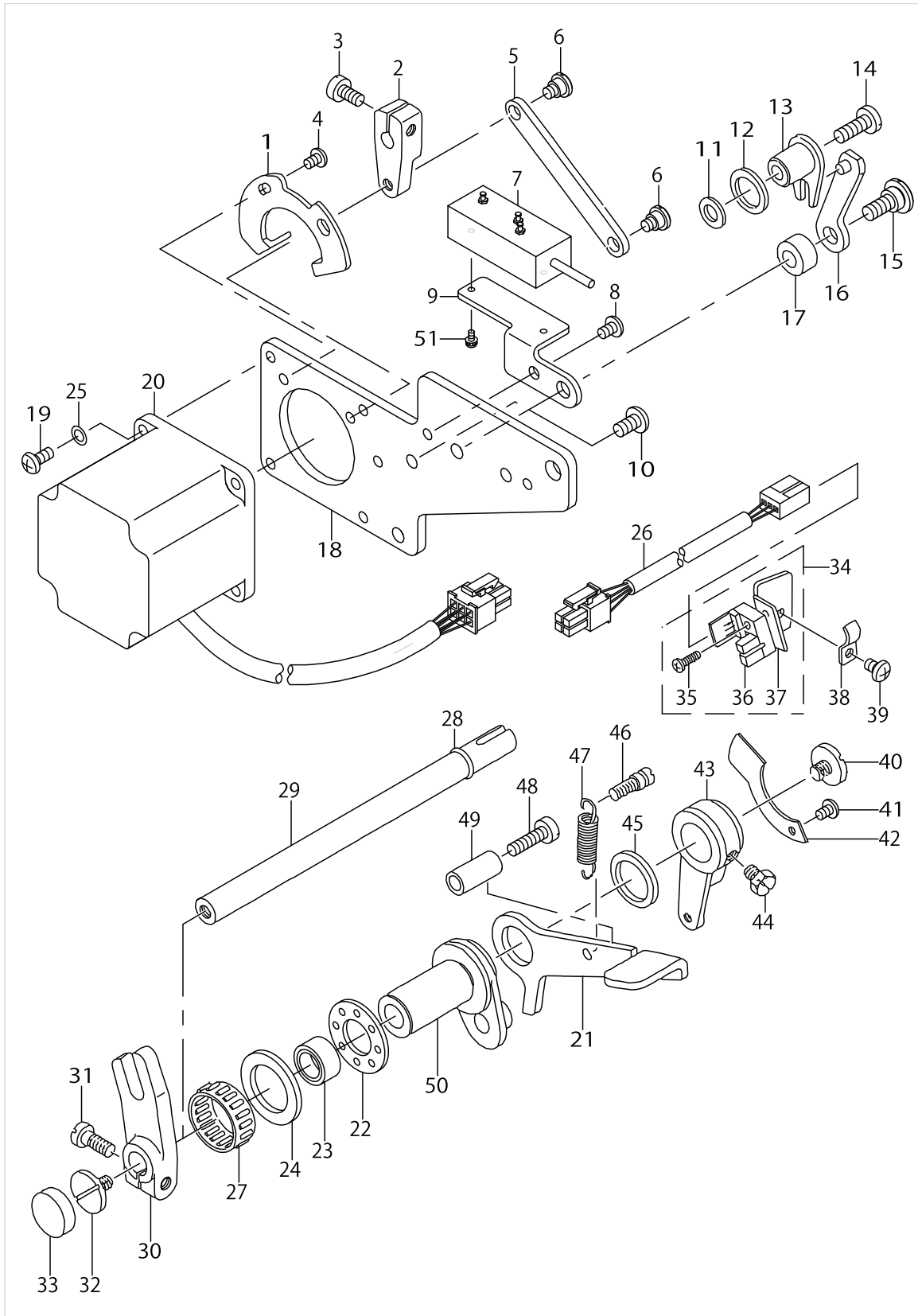
TOP FEED MECHANISM & MOTOR COMPONENTS



TOP FEED MECHANISM & MOTOR COMPONENTS

No.	Supply Code	Parts No.	Replacement	Parts name	Remarks	Choice	Step	Level	Cons	Qty	Rep. QTY
1		11274701		MOTOR ARM STOPPER						1	
2		11274503		MOTOR ARM						1	
3		SS6121010SP		SCREW 3/16-28 L=10						1	
4		SS4110615SP		SCREW 11/64-40 L=6						2	
5		11274602		MOTOR LINK						1	
6		SD0640321SP		HINGE SCREW D=6.35 H=3.2						2	
7		40034156		POTENTIOMETER ASM						1	
8		SS4110615SP		SCREW 11/64-40 L=6						1	
9		40032986		POTENTIOMETER BASE						1	
10		SS4120915SP		SCREW 3/16-28 L=9						2	
11		11273505		BRANCH SPACER						1	
12		11273307		OIL SEAL						1	
13		11273158		POTENTIOMETER CRANK ASM.						1	
14	R	SS7121410SP	SS7121410TP	SCREW 3/16-28 L=14						1	1.00
15		SD0870401SP		HINGE SCREW D=8.73 H=4						1	
16		11272952		POTENTIOMETER ARM ASM.						1	
17		11273000		POTENTIOMETER ARM COLLAR						1	
18		11274313		STEPPING MOTOR BASE						1	
19		SS4110915TP		SCREW 11/64-40 L=9						4	
20		11281458		STEPPING MOTOR						1	
21		11280401		FEED CONTROL LEVER						1	
22		B1211980000		UPPER SHAFT THRUST BEARING						1	
23		B1641490000		OIL SEAL						1	
24		B1242980000		THRUST WASHER, SMALL						1	
25		WP0460556SD		WASHER 4.6X7.5X0.5						4	
26		11281557		TRUNK CORD ASM.						1	
27		B1644490000		NEEDLE BEARING						1	
28		RO069180100		RUBBER RING						1	
29		11274008		LEVER SHAFT						1	
30	R	11211109	11211158	WALKING FOOT ADJUSTING ARM						1	1.00
31		SS6121250TP		SCREW 3/16-28 L=11.5						1	
32		SS7620750SP		SCREW 3/16-32 L=6.5						1	
33		TA1750502R0		RUBBER PLUG D=17.5 L=5						1	
34		11274859		SENSOR ASM.						1	
35		SL4031081SF		SCREW M3 L=10				*		1	
36		HD000570000		SENSOR				*		1	
37		11274800		SENSOR BASE				*		1	
38		D2611555B00A		CABLE HOLDER						1	
39		SS4110615SP		SCREW 11/64-40 L=6						1	
40		SS7620750SP		SCREW 3/16-32 L=6.5						1	
41		SS4110615SP		SCREW 11/64-40 L=6						1	
42		11274206		SENSOR PLATE						1	
43		11274107		UPPER FEED LEVER SHAFT ARM						1	
44		SS9660910SP		SCREW 1/4-40 L=9.4						1	
45		11272408		THRUST COLLAR						1	
46		11272614		FEED SPRING HOOK						1	

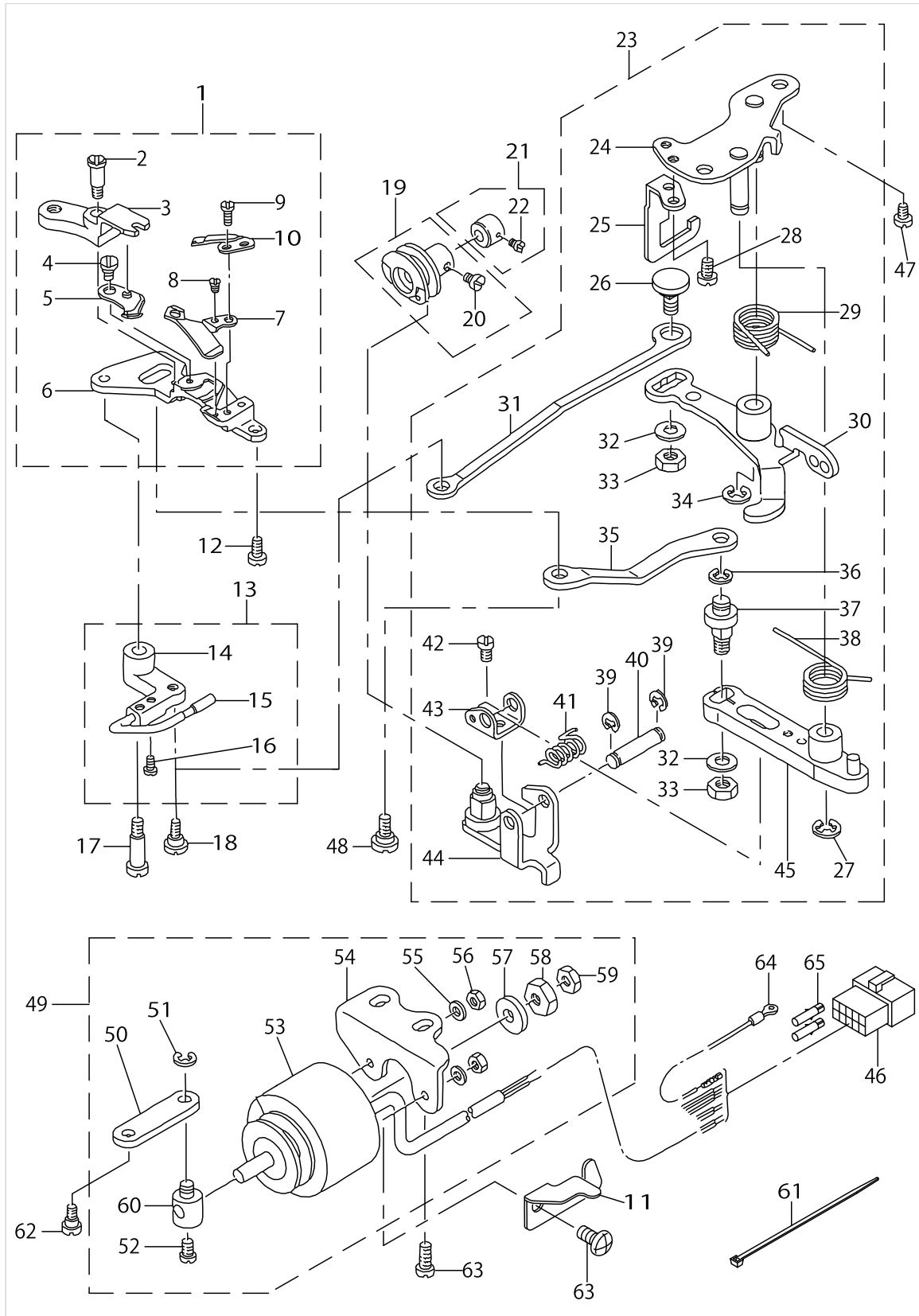
TOP FEED MECHANISM & MOTOR COMPONENTS



TOP FEED MECHANISM & MOTOR COMPONENTS

No.	Supply Code	Parts No.	Replacement	Parts name	Remarks	Choice	Step	Level	Cons	Qty	Rep. QTY
47		11272507		SPRING						1	
48		SS6121840SP		SCREW 3/16-28 L=18						1	
49	R	11100500	22952501	REVERSE FEED LEVER STOPPER						1	1.00
50		11272051		LEVER BASE ASM.						1	
51		SL4020591SC		SCREW M2X5						2	

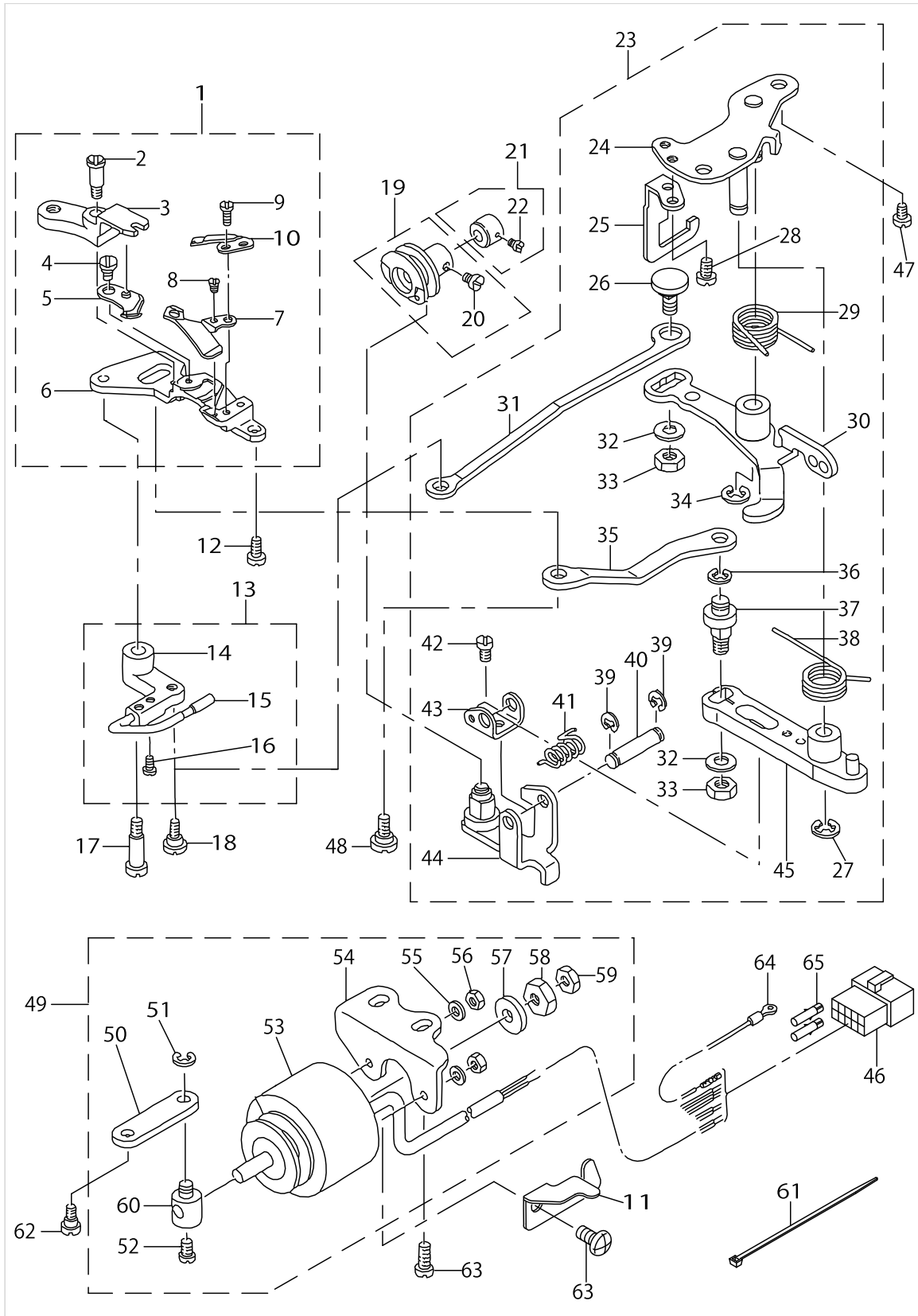
THREAD TRIMMER COMPONENTS



THREAD TRIMMER COMPONENTS

No.	Supply Code	Parts No.	Replacement	Parts name	Remarks	Choice	Step	Level	Cons	Qty	Rep. QTY
1		11232055		KNIFE UNIT						1	
2		SD0460703TP		HINGE SCREW D=4.6 H=7				*		1	
3		11232105		FORKED BASE FOR KNIFE				*		1	
4		SD0500095TH		HINGE SCREW D= 5 H= 0.85				*		1	
5		11040052		MOVING KNIFE ASM.				*	☆	1	
6		22947907		KNIFE MOUNTING BASE				*		1	
7	R	11313103	22947808	THREAD GUIDE FOR KNIFE				*	☆	1	1.00
8		SS2060210SP		SCREW 3/32-56 L=2.3				*		1	
9		SS4080620TP		SCREW 1/8-44 L=6				*		2	
10		D2406555D0H		COUNTER KNIFE				*	☆	1	
11		22962708		TUBE HOLDER, LOWER						1	
12		SS4110715SP		SCREW 11/64-40 L=7						1	
13	R	11042553	22950257	PICKER ARM ASM.						1	1.00
14	R	11042504	22950208	PICKER ARM				*		1	1.00
15		22950356		HOOK THREAD PRESSER ASM.				*	☆	1	
16	R	SS6090510SP	SS6090510TP	SCREW 9/64-40 L=5				*		2	1.00
17		SD0641451SP		HINGE SCREW D= 6.35 H=14.5						1	
18		SD0630275SP		HINGE SCREW D= 6.35 H=2.7						1	
19	R	11042850	22950851	THREAD TRIMMER CAM ASM.						1	1.00
20		SS6660610TP		SCREW 1/4-40 L=6				*		2	
21		22950950		CAM COLLAR ASM.						1	
22		SS8110520TP		SCREW 11/64-40 L=4.5				*		1	
23		22949762		THREAD TRIMMER DRIVING UNIT						1	
24		22949754		BASE PLATE ASM.				*		1	
25		22950703		DRIVING ARM STOPPER				*		1	
26		22950000		PICKER LINK PIN				*		1	
27		RE0600000K0		E-RING 6				*		1	
28		SS4110715SP		SCREW 11/64-40 L=7				*		2	
29		22949408		CLUTCH SPRING				*		1	
30	R	11041852	40087245	CLUTCH PLATE ASM.				*		1	1.00
31		22950109		PICKER LINK				*		1	
32		WP0621016SH		WASHER				*		2	
33		NS6150430SP		NUT 15/64-28				*		2	
34		RE0600000K0		E-RING 6				*		1	
35		22948301		MOVING KNIFE LINK				*		1	
36		RE0500000K0		E-RING				*		1	
37		22948400		MOVING KNIFE LINK PIN				*		1	
38		22949309		KNIFE RETURN SPRING B				*		1	
39		RE0400000K0		E-RING 4				*		2	
40		22949101		ROLLER FULCRUM SHAFT				*		1	
41		22949200		ROLLER RETURN SPRING				*		1	
42		SS7090610SP		SCREW 9/64-40 L=6				*		1	
43		22949002		ROLLER ARM SEAT				*		1	
44		11040953		ROLLER ARM ASM.				*		1	
45	R	11040854	22948558	KNIFE DRIVING ARM ASM.				*		1	1.00
46		HK034610140		HOUSING 14P						1	

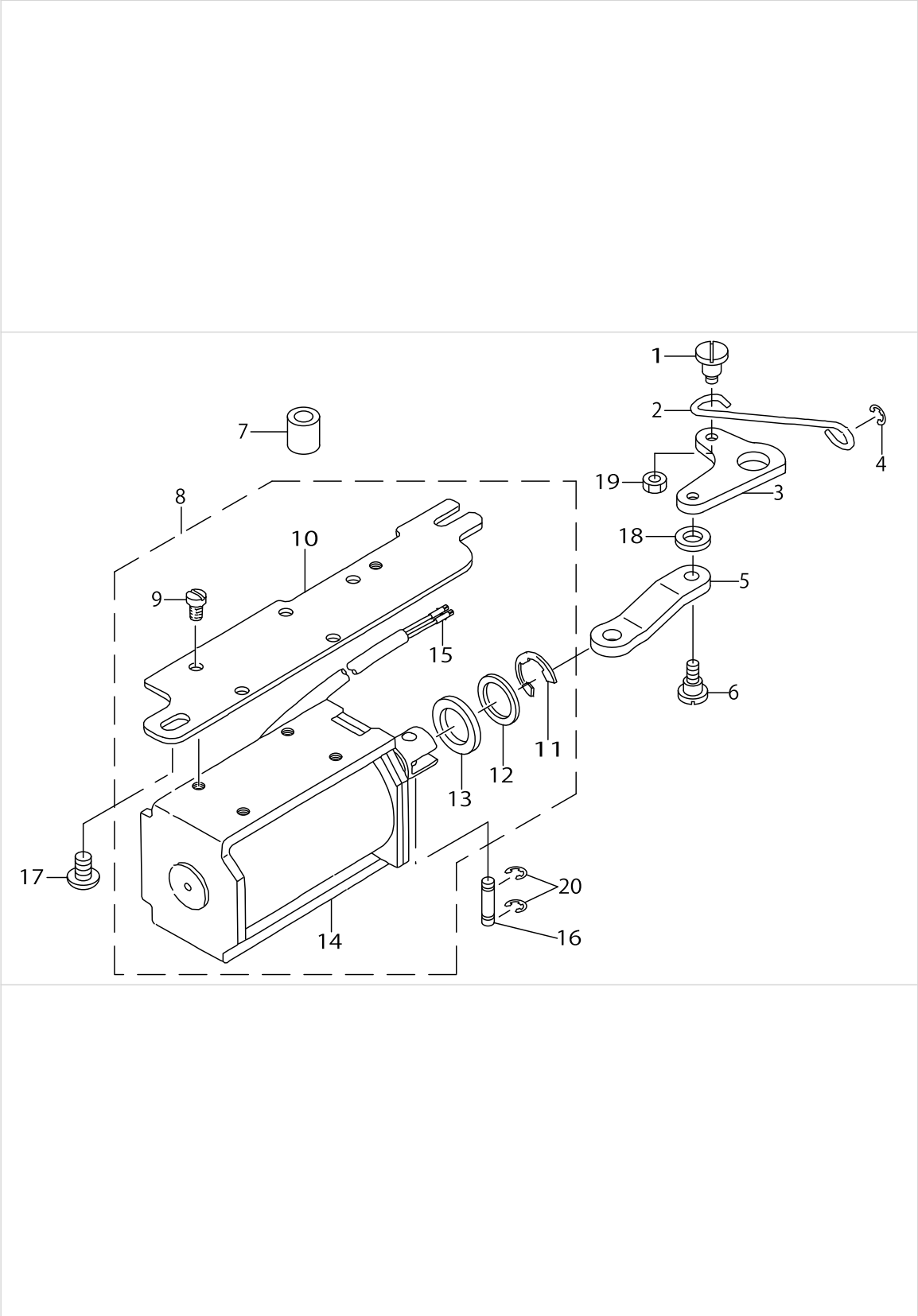
THREAD TRIMMER COMPONENTS



THREAD TRIMMER COMPONENTS

No.	Supply Code	Parts No.	Replacement	Parts name	Remarks	Choice	Step	Level	Cons	Qty	Rep. QTY
47		SS4150915SP		SCREW 15/64-28 L=9						2	
48		SD0640631TP		HINGE SCREW D=6.35 H=6.3						1	
49	R	11043957	40106930	SOLENOID UNIT						1	1.00
50		22949903		CLUTCH LINK				*		1	
51		RE0500000K0		E-RING				*		1	
52		SS6110710TP		SCREW 11/64-40 L=6.5				*		1	
53	R	11043908	40106930	THREAD TRIMMER SOLENOID				*		1	1.00
54		22951404		SOLENOID BASE				*		1	
55		WP0450000SD		WASHER 4.5X8X0.5				*		2	
56		NM6040000SN		NUT M4				*		2	
57		11043304		SOLENOID RUBBER				*		1	
58		NS6660410SH		NUT				*		1	
59		NS6660430SP		NUT 1/4-40				*		1	
60		22951008		SOLENOID PIN				*		1	
61		EA9500B0100		CABLE BAND						1	
62		SD0600361SP		HINGE SCREW D=6 H=3.6						1	
63		SS4151215SP		SCREW 15/64-28 L=12						3	
64	R	11044054	22951552	GROUND WIRE ASM.						1	1.00
65		HK03464000B		PIN CONTACT						2	

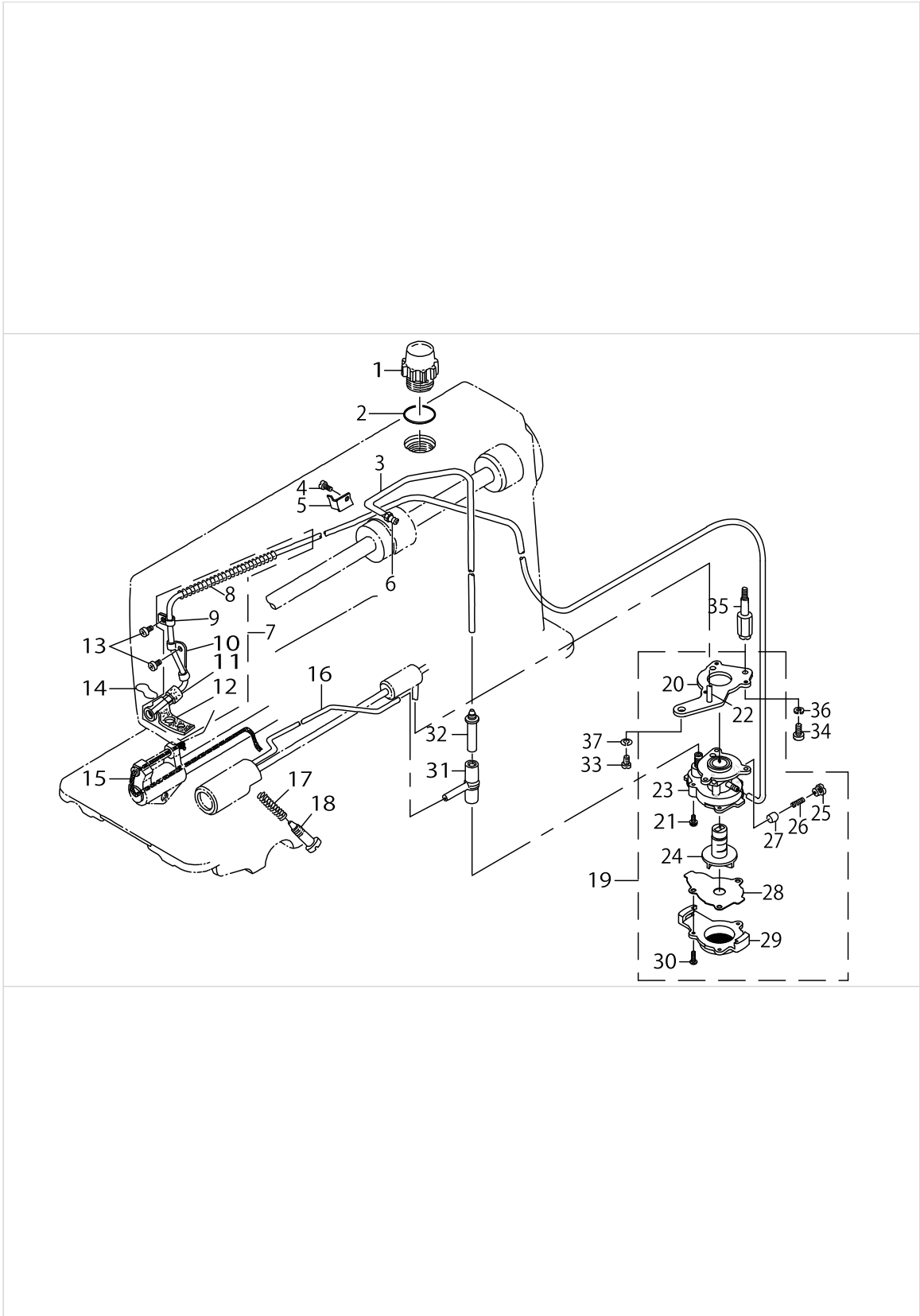
AUTOMATIC REVERSE FEED COMPONENTS



AUTOMATIC REVERSE FEED COMPONENTS

No.	Supply Code	Parts No.	Replacement	Parts name	Remarks	Choice	Step	Level	Cons	Qty	Rep. QTY
1		SD0700451TP		HINGE SCREW D=7 H=4.5						1	
2		11101300		REVERSE FEED CO- NECTING SHAFT						1	
3		11101508		REVERSE FEED LINK						1	
4		RE0500000KP		E-RING 5						1	
5		22962500		SOLENOID CONNECTING LINK						1	
6		SD0700711TP		HINGE SCREW D=7 H=7.1						1	
7		22962609		REVERSE FEED BASE COLLAR						1	
8	R	11228459	40108027	SOLENOID INSTALL- ING BASE ASM.						1	1.00
9		SS7110740TP		SCREW 11/64-40 L=7				*		4	
10		11227600		SOLENOID INSTALLING PLATE				*		1	
11		RE1200000K0		E-RING 12				*		1	
12		WP1703001SC		WASHER 17X30X3				*		1	
13		D2468555B00		RUBBER PLUNGER				*		1	
14	R	11228400	40108027	REVERSE FEED SOLENOID				*		1	1.00
15		HK03464000B		PIN CONTACT				*		2	
16		D2464555B00		LINK DRIVING MAGNET PIN						1	
17		SS4150915SP		SCREW 15/64-28 L=9						1	
18		WP0722316SH		WASHER						1	
19		NS6110420SP		NUT 11/64-40						1	
20		RE0400000K0		E-RING 4						2	

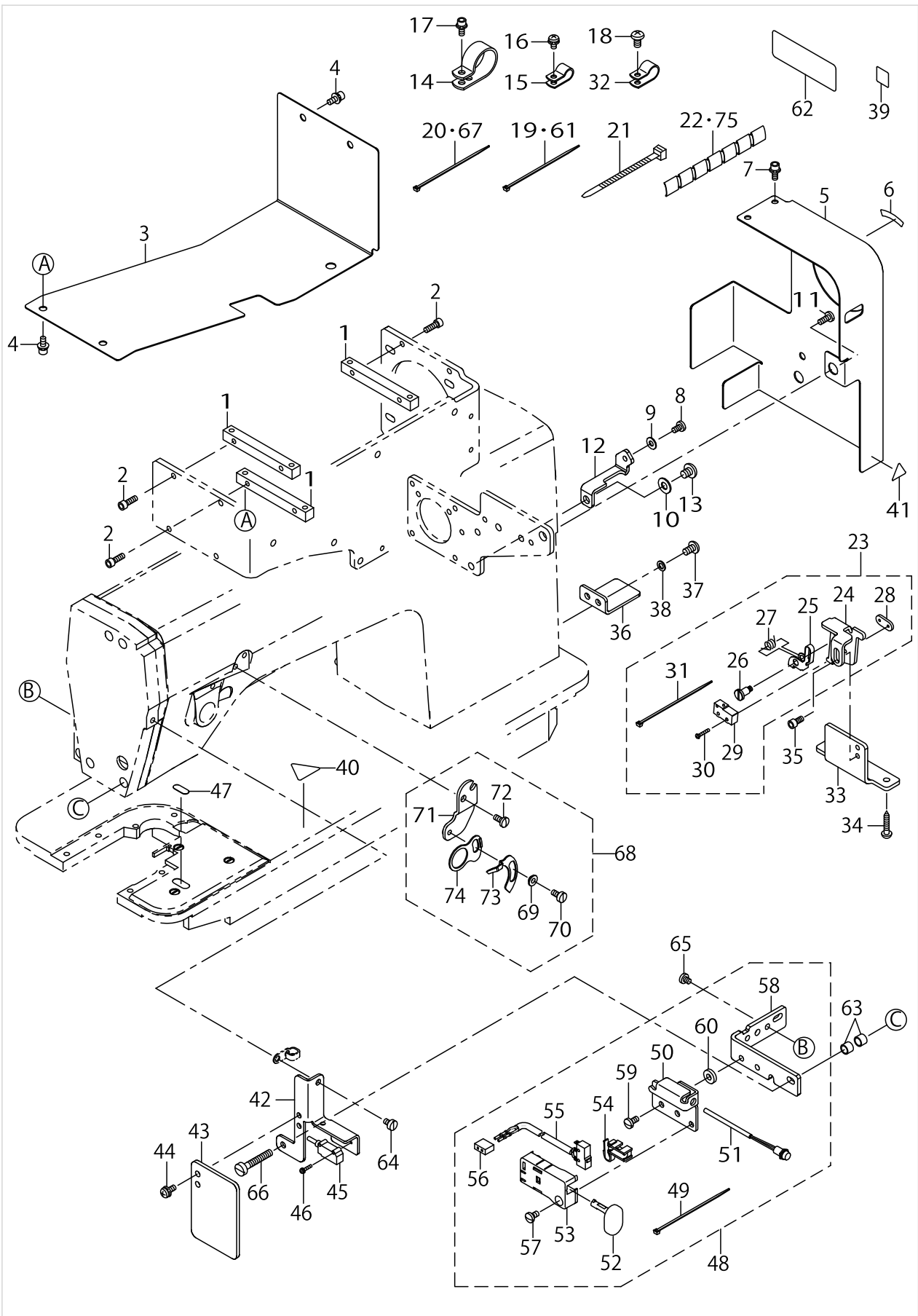
OIL LUBRICATION COMPONENTS



OIL LUBRICATION COMPONENTS

No.	Supply Code	Parts No.	Replacement	Parts name	Remarks	Choice	Step	Level	Cons	Qty	Rep. QTY
1	R	22947006	22924708	OIL SIGHT WINDOW						1	1.00
2		RO195240100		RUBBER RING						1	
3		BT0600402EA		OIL TUBE						.25	
4		SS6080340SP		SCREW 1/8-44 L=2.9						1	
5		11222007		HOLDER						1	
6		SQ1150501SD		CONNECTING SCREW						1	
7		11221652		OIL TUBE ASM.						1	
8		B3404122000		SPRING				*		1	
9		B3536122000		HOLDER				*		1	
10		11221801		HOLDER A				*		1	
11	R	11221702	11039203	FELT B				*		1	1.00
12		11221603		FELT A				*		1	
13		SS4120615SP		SCREW 3/16-28 L=6						2	
14		11221900		OIL FELT PRESSER						1	
15		CQ252000000		OIL WICK						.21	
16		22924500		HOOK OIL TUBE						1	
17		22924906		OIL REGULATOR SCREW SPRING						1	
18		22925002		OIL REGULATOR SCREW						1	
19		22923056		OIL PUMP ASM.						1	
20	R	22923312	11392057	OIL PUMP INSTALLING BASE		A	DLD5430	*		1	1.00
20	R	22923312	11404555	OIL PUMP INSTALLING BASE		B	DDL5600/- 8100e, DU1181	*		1	1.00
20	R	22923312	22923056	OIL PUMP INSTALLING BASE		C	DDL8700/- 8300/8500- /900A, DM- N5420/5400	*		1	1.00
21		SL4030851SF		SCREW M3 L=8				*		3	
22		22923908		HOOK DRIVING SH- AFT OILING PIPE				*		1	
23	R	22923015	22923056	OIL PUMP				*		1	1.00
24		22923700		IMPELLER				*		1	
25		22923502		PLUNGER SCREW				*		1	
26		22923601		PLUNGER SPRING				*		1	
27		22923403		PLUNGER				*		1	
28		22923809		PUMP BODY SUPPORT PLATE				*		1	
29		22923205		PUMP BODY COVER				*		1	
30		SE4301041SR		SCREW D=3 L=10				*		3	
31		22924609		RUBBER JOINT						1	
32		11221504		OIL TUBE JOINT						1	
33		SS4150915SP		SCREW 15/64-28 L=9						1	
34		SS6111010TP		SCREW 11/64-40 L=9.5						1	
35		11231503		OIL PUMP SUPPORT						1	
36		WS0451040KP		SPRING WASHER 4.5X8.5X1						1	
37		WS0651310KP		SPRING WASHER 6.5X11X1.3						1	

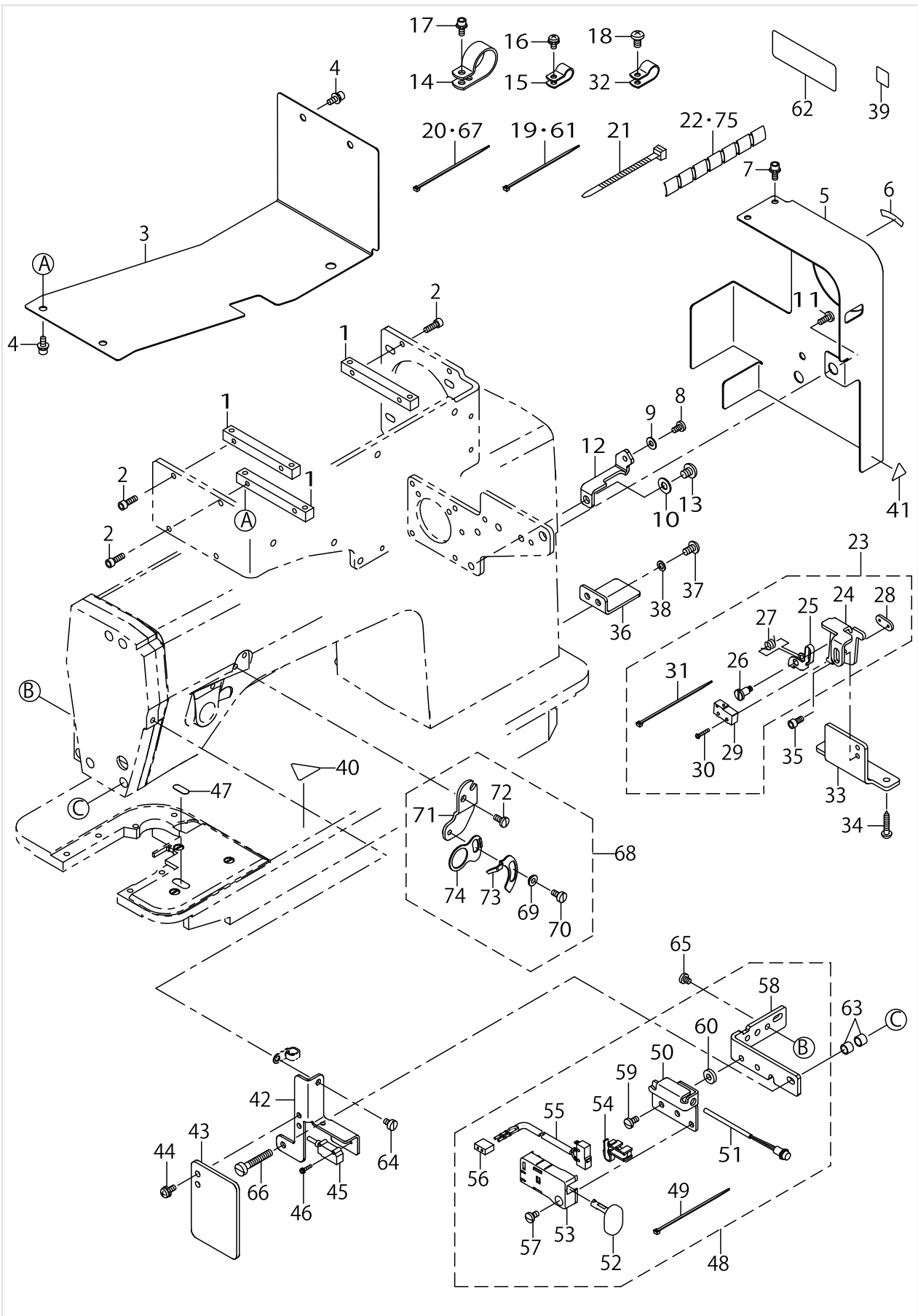
MECHANISM & MISCELLANEOUS COVER COMPONENTS



MECHANISM & MISCELLANEOUS COVER COMPONENTS

No.	Supply Code	Parts No.	Replacement	Parts name	Remarks	Choice	Step	Level	Cons	Qty	Rep. QTY
1		40088022		COVER_INSTALLING_PLATE						3	
2		SM6041202TN		SCREW M4X0.7 L=12						6	
3		40088023		MOTOR_COVER						1	
4		SL6041092TN		SCREW						4	
5		40088024		FLYING_WHEEL_COVER						1	
6		B1144210000		REVOLVING DIRECTION LABEL						1	
7		SL6041092TN		SCREW						2	
8		SS7110710SP		SCREW 11/64-40 L=7						1	
9		WP0450801SD		WASHER 4.5X10X0.8						1	
10		WP0621016SD		WASHER 6.2X13X1						1	
11		SS7701010SP		SCREW 5/16-24 L=10						1	
12		11278306		BELT COVER STAY						1	
13		SS4150715SP		SCREW 15/64-28 L=7						1	
14		HX00150000M		CABLE CLIP						1	
15		HX00150000C		CABLE CLIP						1	
16		SL4040891SC		SCREW M4 L=8						1	
17		SL6041092TN		SCREW						1	
18		SS4120915SP		SCREW 3/16-28 L=9						1	
19		EA9500B0100		CABLE BAND						10	
20		EA9500B0200		CABLE BAND 150						10	
21		HX00065000A		CABLE CLIP						3	
22		HX00314000B		SPIRAL TUBE						1	
23		40029776		SAFTY_SW_ASM.						1	
24	R	40006496	40006495	SAFETY_SW_BASE				*		1	1.00
25		23638109		SAFETY SWITCH ARM				*		1	
26	R	40006497	40006495	SAFETY_SW_ARM_SHAFT				*		1	1.00
27	R	23638208	23638059	SAFETY SWITCH SPRING				*		1	1.00
28	R	23638406	23638059	SAFETY SWITCH NUT				*		1	1.00
29	D	40029633		SAFETY SW CORD ASM				*		1	
30		SM4021201SC		SCREW M2 L=12				*		2	
31		EA9500B0100		CABLE BAND				*		1	
32		HX00150000D		CABLE CLIP						1	
33		40088026		SAFETY_SW_INSTALLING_PLATE						1	
34		SK3412001SE		WOOD SCREW D=4.1 L=20						2	
35		SM6040802TP		SCREW M4X0.7 L=8						2	
36		40088174		SW_SUPPRESSION_PLATE						1	
37		SS4120915SP		SCREW 3/16-28 L=9						2	
38		WP0480856SP		WASHER 4.8X8.4X0.8						2	
39		CM600100101		WEEE MARK LABEL S	FOR JE					1	
40		CM300200002		CAUTION LABEL(25)						1	
41		CM300200001		ATTENTION SEAL						1	
42		40088019		SENSOR_PLATE						1	
43		13889407		SAFETY PLATE						1	
44		SL4041081SC		SCREW M4 L=10						2	
45		40084075		CLOTH DETECTOR ASSY						1	
46		SL4021091SC		SCREW M2 L=10						2	

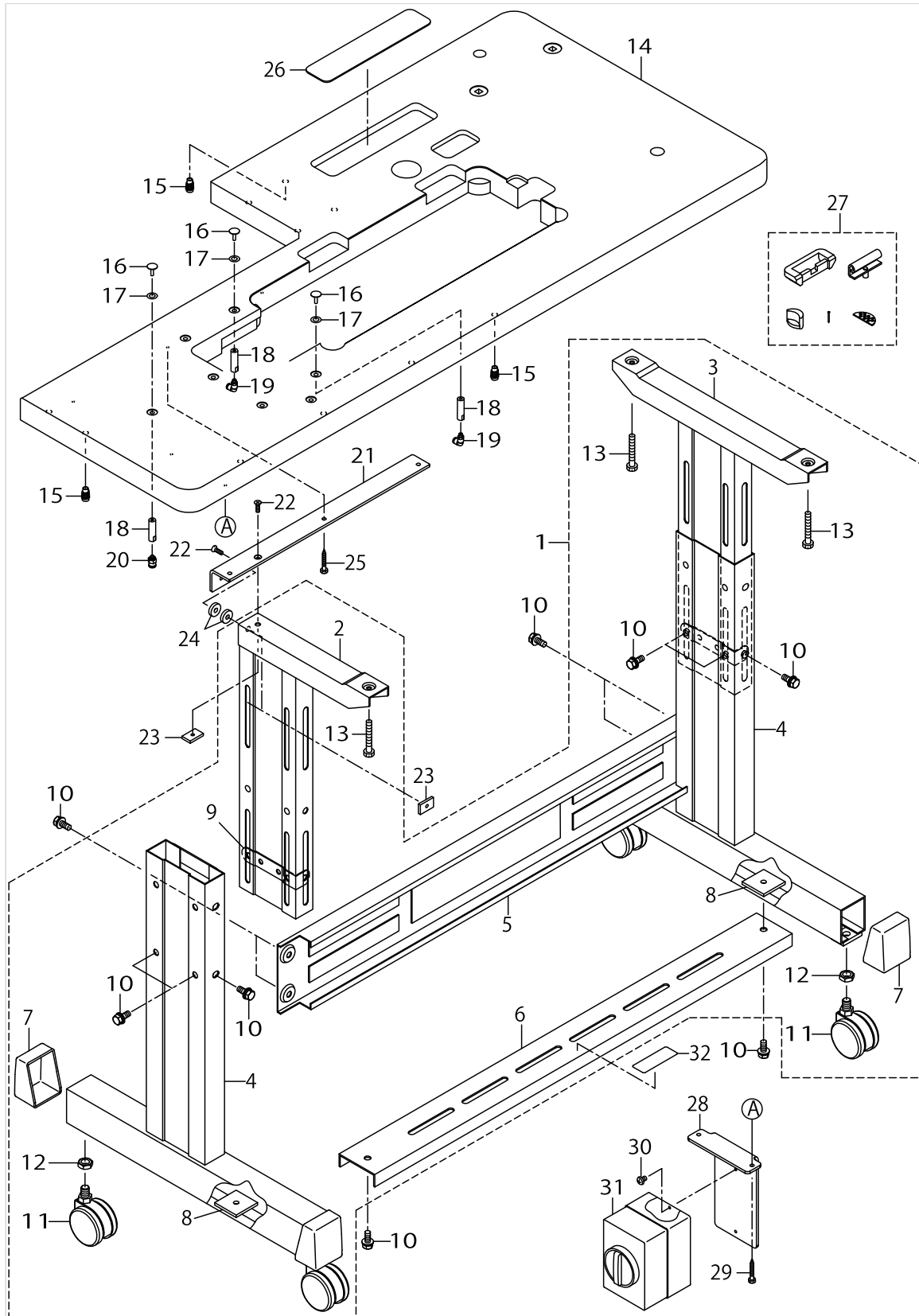
MECHANISM & MISCELLANEOUS COVER COMPONENTS



MECHANISM & MISCELLANEOUS COVER COMPONENTS

No.	Supply Code	Parts No.	Replacement	Parts name	Remarks	Choice	Step	Level	Cons	Qty	Rep. QTY
47		40088020		CLOTH_DETECTION- REFLECTION_SHEET						1	
48		40088207		SWITCH_ASM						1	
49		EA9500B0100		CABLE BAND				*		2	
50		40088021		SWITCH_BASE				*		1	
51		40041232		SWLEDCABLEAASSY				*		1	
52		23631807		REVERSE FEED SWITCH SHAFT				*		1	
53		23631708		REVERSE FEED SWITCH COVER				*		1	
54		23631906		REVERSE FEED SWITCH SUPPORT				*		1	
55	R	40018458	40014098	SW_CABLE_ASSY		A	DP2100	*		1	1.00
55	R	40018458	40088207	SW_CABLE_ASSY		B	AE200	*		1	1.00
56		HK016590060		HOUSING				*		1	
57		SS7110740TP		SCREW 11/64-40 L=7				*		1	
58		40088205		SWITCH_PLATE_DLU				*		1	
59		SS7110840SP		SCREW 11/64-40 L=7.8				*		2	
60		WP0502616SD		WASHER				*		2	
61		EA9500B0100		CABLE BAND						2	
62		40094560		CE MARKING LABEL (EU)	FOR JE					1	
63		22956809		WIPER COLLAR						2	
64		SS6110610TP		SCREW 11/64-40 L=6						1	
65		SS7110510SP		SCREW 11/64-40 L=5						2	
66		SS6123010SP		SCREW 3/16-28 L=30.0						1	
67		EA9500B0200		CABLE BAND 150						1	
68		40088632		THB_SENSOR_COMPONENTS	OPTIONAL PARTS					1	
69		40028835		BUSHING				*		1	
70		SM6040860TP		SCREW M4 L=8				*		1	
71		40088029		SENSOR_PLATE_INS- TALLING_PLATE				*		1	
72		SS7110910TP		SCREW 11/64-40 L= 8.5				*		2	
73		40084061		THB SENSOR CORD ASSY				*		1	
74		40028834		GUIDE_PLATE				*		1	
75		HX00314000A		SPIRAL TUBE						1.5	

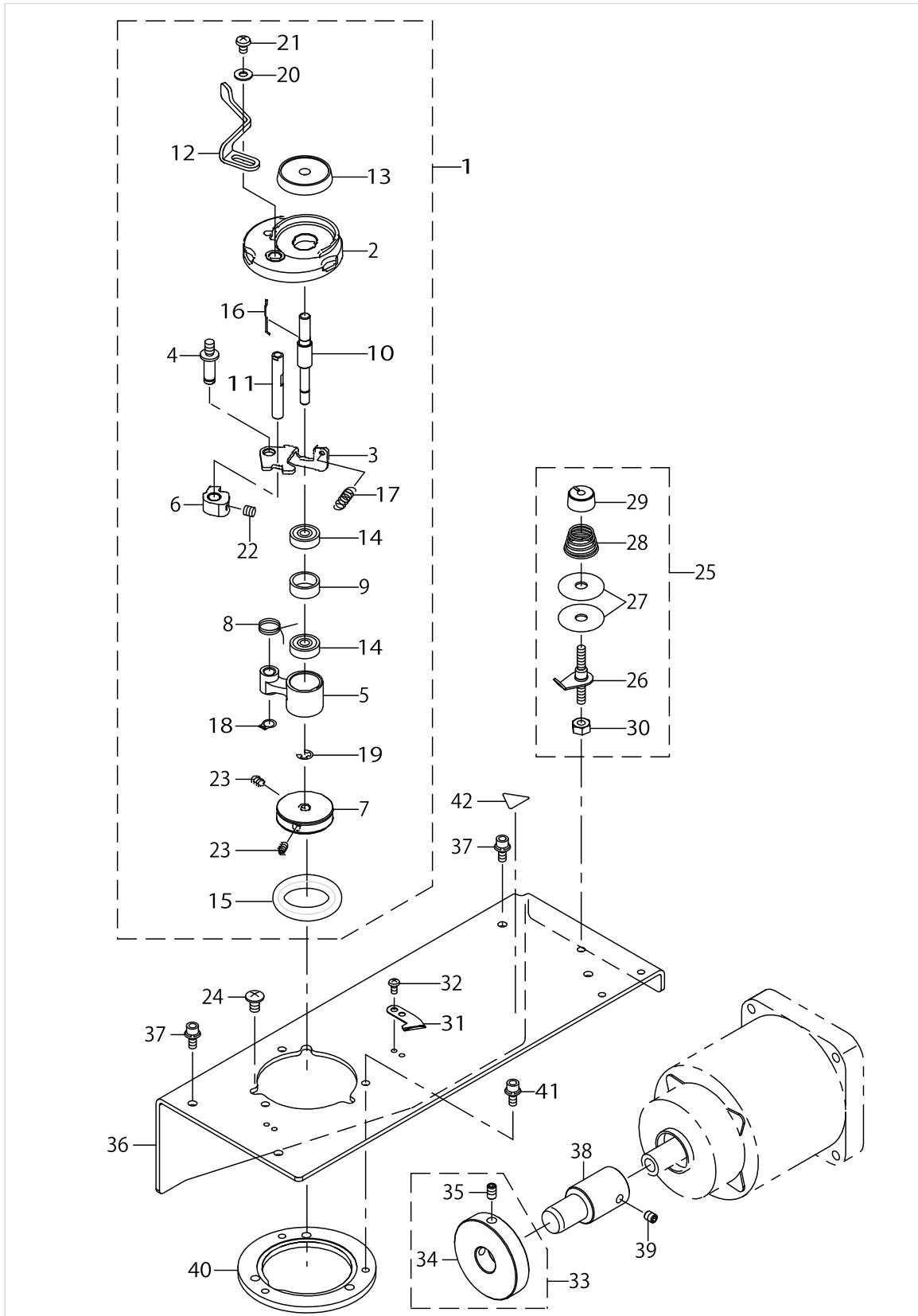
MAIN SEWING TABLE COMPONENTS



MAIN SEWING TABLE COMPONENTS

No.	Supply Code	Parts No.	Replacement	Parts name	Remarks	Choice	Step	Level	Cons	Qty	Rep. QTY
1		40088166		T-STAND_ASM.						1	
2		40088167		UPPER_STAND_ASM.				*		1	
3		40088172		UPPER_STAND_ASM.				*		1	
4		B8105210AAA		STAND_ASM.				*		2	
5	D	11158300		STAND SIDE SUPPORT				*		1	
6		11158409		STAND SIDE SUPPORT				*		1	
7		11158607		RUBBER CAP				*		4	
8		17007402		NUT				*		2	
9		11158516		UPPERSTANDPLATE				*		2	
10		SL9082091SE		WASHER HEXAGONAL BOLT				*		12	
11		B8150210000		CASTER				*		4	
12		NM6120003SE		NUT M12				*		4	
13		ST9053511SR		TAPPING SCREW M5X35				*		3	
14		40088168		TABLE						1	
15		40075287		INSERT_NUT M6X20						10	
16		G5080397000		TABLE BLOW						7	
17		WP0550800SP		WASHER 5.5X10X0.8						7	
18		40088169		STUD						7	
19		PJ304060502		ELBOW UNION 6XM5						6	
20		PJ301060503		HALF UNION						1	
21		40088170		TABLE_BRACKET						1	
22		SM1051601SC		SCREW M5X0.8 L=16						2	
23	D	18073403		NUT						2	
24		17008004		WASHER						2	
25		ST9053511SR		TAPPING SCREW M5X35						3	
26		40088171		RUBBER_SHEET						1	
27		22958052		RUBBER_HINGE_ASM.						1	
28		40088182		SWITCH_BRACKET						1	
29		ST9053511SR		TAPPING SCREW M5X35						2	
30		SL4041081SC		SCREW M4 L=10						2	
31		HA005820000		SWITCH						1	
32		16870206		GRAVITY SEAL						1	

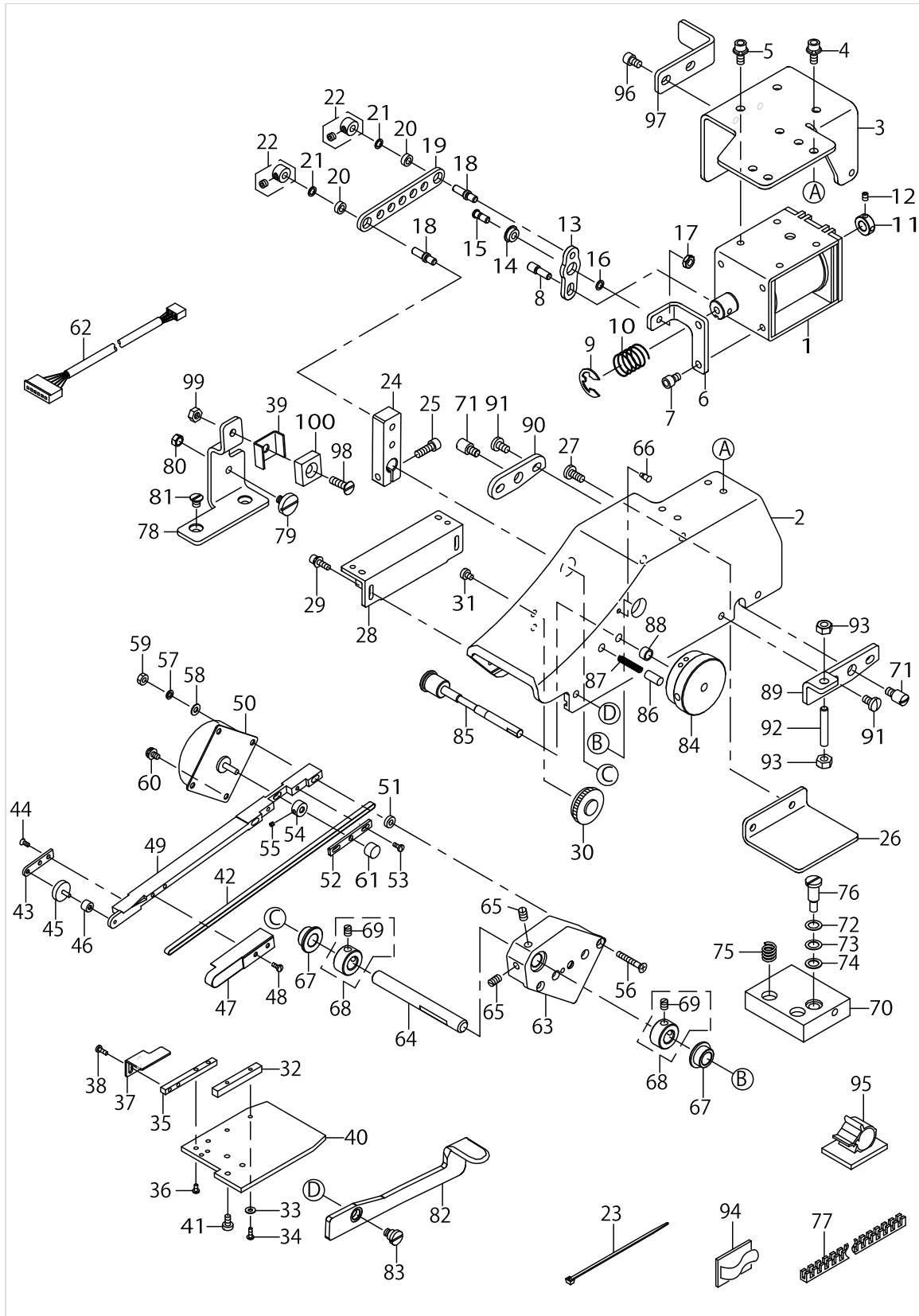
BOBBIN WINDER UNIT



BOBBIN WINDER UNIT

No.	Supply Code	Parts No.	Replacement	Parts name	Remarks	Choice	Step	Level	Cons	Qty	Rep. QTY
1		40011143		ASSY_BTW						1	
2	R	26260109	26260000	BTW_BASE				*		1	1.00
3		26260208		BTW_CAM_PLATE				*		1	
4		26260307		BTW_BASE_SHAFT				*		1	
5		26260406		BTW_SHAFT_BASE				*		1	
6		26260505		BTW_CAM_LEVER				*		1	
7		26260604		BTW_WHEEL				*		1	
8		40011144		BTW_TORSION_SPRING				*		1	
9	R	26260802	26260000	BTW_BEARING_SPACER				*		1	1.00
10		40011145		BTW_SHAFT				*		1	
11	R	40011146	40089647	BTW_LEVER_SHAFT				*		1	1.00
12		40021933		BTW_LEVER				*		1	
13		26261206		BTW_SPACER				*		1	
14	R	26261305	26260000	BTW_BEARING				*		2	1.00
15		26261503		BTW_WHEEL_RUBBER				*	☆	1	
16		26261602		BOBBIN_SPRING				*		1	
17		26261701		BTW_SPRING				*		1	
18		RC0560711KP		RETAINING RING				*		1	
19		RE040000K0		E-RING 4				*		1	
20		WP0450826SC		WASHER 4.5X10X0.8				*		1	
21		SM5040655SN		SCREW				*		1	
22		SM8050502TP		SCREW M5 L=5				*		1	
23		SM8040802TP		SCREW M4X8				*		2	
24		SM0050801SC		SCREW				*		3	
25		14113468		BOBBIN THREAD TENSION ASM.						1	
26		14113450		BOBBIN THREAD T- ENSION ROD ASM.				*		1	
27	R	B3126012000	22921506	THREAD TENSION DISK				*		2	1.00
28		D7133555B00		CONNECTING ROD SPRING				*		1	
29		11072402		THREAD TENSION NUT				*		1	
30		NS6110310SP		NUT 11/64-40				*		1	
31		10502300		THREAD CUTTER					☆	1	
32		SM4030601SN		SCREW M3 X 6						2	
33		40010533		BTW_DRIVING_WHEEL_ASM						1	
34	R	40010534	40010533	BTW_DRIVING_WHEEL				*		1	1.00
35		40010535		DRIVING_WHEEL_SCREW				*		2	
36		40088213		PRINT_CHART						1	
37		SL6041092TN		SCREW						4	
38		40088031		BOBBIN_WINDER_SHAFT						1	
39		SM8050612TP		SCREW M5X6						2	
40		40088032		BOBBIN_UNIT_PLATE						1	
41		SL6041092TN		SCREW						3	
42		CM300200001		ATTENTION SEAL						1	

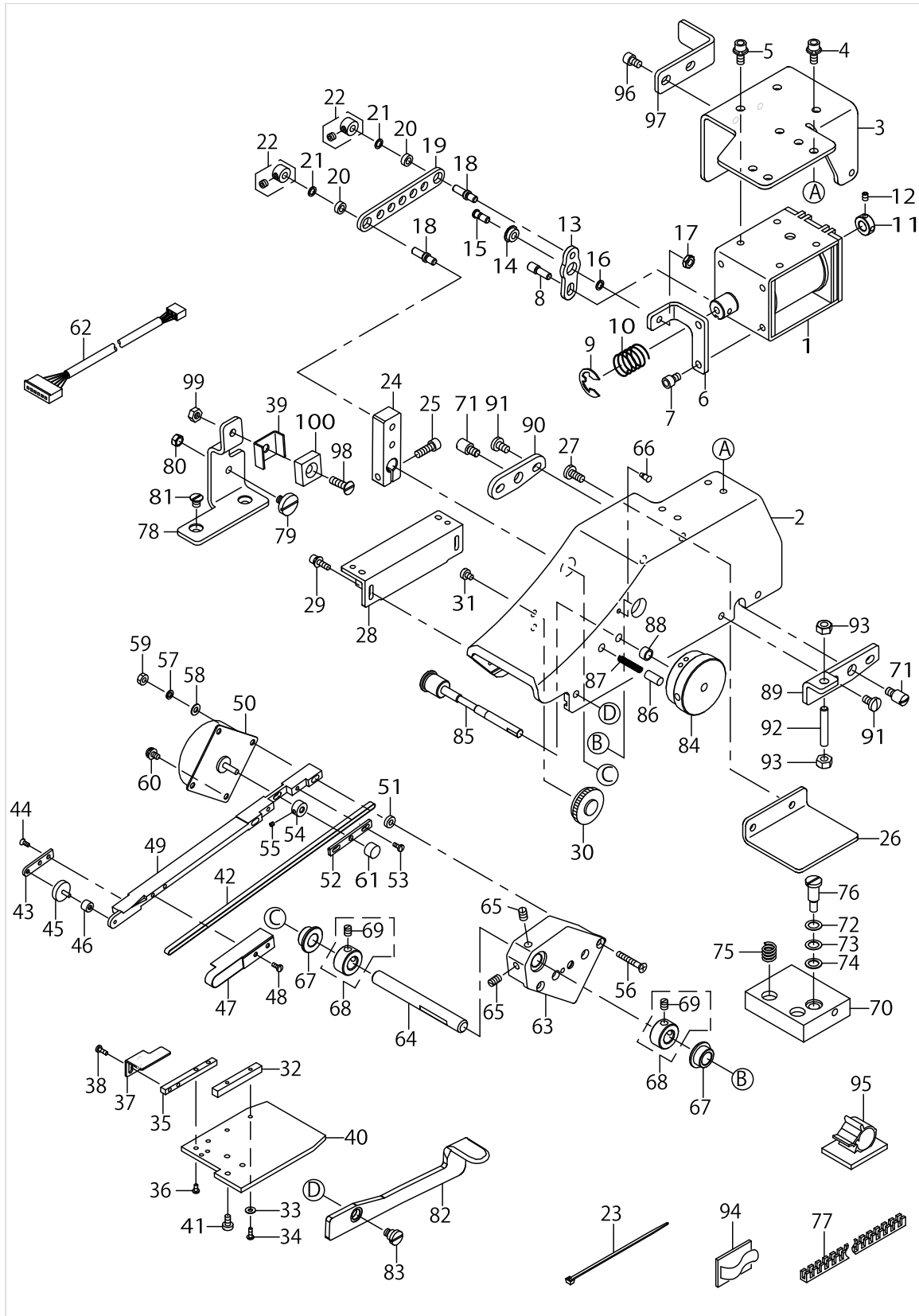
UPPER MANIPULATOR COMPONENTS



UPPER MANIPULATOR COMPONENTS

No.	Supply Code	Parts No.	Replacement	Parts name	Remarks	Choice	Step	Level	Cons	Qty	Rep. QTY
1		40084098		MANIPULATOR SOLENOID						1	
2		40088147		UPPER_MANIPULATOR_COVER_B						1	
3		40088148		UPPER_MANIPULATOR_SOLENOID_BASE						1	
4		SL6041092TN		SCREW						4	
5		SL6041092TN		SCREW						4	
6		40088149		UPPER_MANIPULATOR_PIVOT_BASE						1	
7		SM6040602TP		SCREW M4 L=6						2	
8		40006617		AT_SOL_PIN						1	
9		RE0900000K0		E-RING 9						1	
10		40006625		SPRING						1	
11		40010477		AT_SOL_COLLAR						1	
12		SM8030412TP		SCREW						2	
13		40088150		UPPER_MANIPULATOR_DRIVE_LINK_A						1	
14		40010490		AT_PIVOT_BEARING						1	
15		40010487		AT_PIVOT_SCREW						1	
16		40010489		AT_PIVOT_SCREW_WASHER						2	
17		NM6040003SC		NUT M4						1	
18		40088151		BEARING_PIN						2	
19		40088152		UPPER_MANIPULATOR_DRIVE_LINK_C						1	
20		40010498		AT_JOINT_BEARING						2	
21		40010489		AT_PIVOT_SCREW_WASHER						2	
22		13172952		COLLAR ASM.						2	
23		EA9500B0100		CABLE BAND						2	
24		40088153		MANIPULATOR_DRIVE_LEVER						1	
25		SM6041202TP		SCREW M4X0.7 L=12						1	
26		40088154		COVER_MOUNTING_BASE						1	
27		SS7110910TP		SCREW 11/64-40 L= 8.5						2	
28		18056408		SOLENOID						1	
29		SL6031092TN		SCREW						2	
30		18053355		GEAR ASM.						1	
31		SS6080410SP		SCREW 1/8-44 L=4						2	
32		18055103		RACK						1	
33		WP0250516SD		WASHER 2.5X6X0.5						2	
34		SM4020600SP		SCREW M2 L=6						2	
35		18067108		SENSOR FIXER						1	
36		SS5060410SP		SCREW 3/32-56 L=3.5						2	
37		40096523		SENSOR_BRACKET						1	
38		SS7060610SP		SCREW 3/32-56 L=5.5						2	
39		40098291		MAGNET_SAVER						1	
40		18055202		SLIDER						1	
41		SM6030600SP		SCREW M3X0.5 L=6						3	
42		18059303		TIMING BELT						1	
43		18065805		SUPPORT PLATE						1	
44		SS2060510SP		SCREW 3/32-56 L=4.5						2	
45		18054205		CONTROL ROLLER						1	

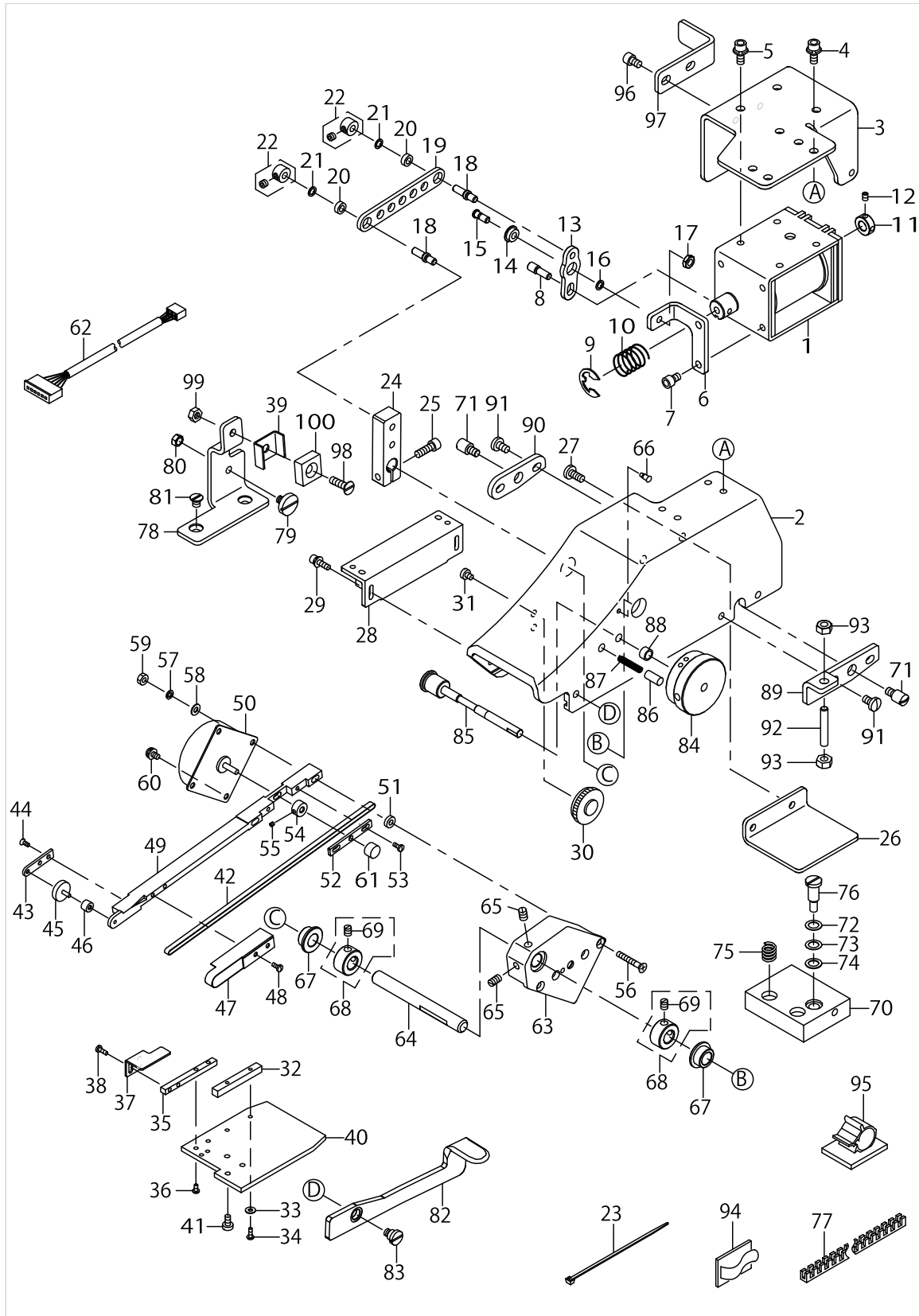
UPPER MANIPULATOR COMPONENTS



UPPER MANIPULATOR COMPONENTS

No.	Supply Code	Parts No.	Replacement	Parts name	Remarks	Choice	Step	Level	Cons	Qty	Rep. QTY
46		18056804		SPROCKET A						1	
47		18058909		ROLLER COVER						1	
48		SS7060510SP		SCREW 3/32-56 L=4.8						2	
49		18054700		SWING ARM						1	
50		40084099		MANIPULATOR_MOTOR						1	
51		18052902		SWING ARM COLLER						2	
52		18054601		MOTOR FIXER						1	
53		SS7060510SP		SCREW 3/32-56 L=4.8						2	
54		18056903		SPROCKET B						1	
55		SS8060210TP		SCREW						1	
56		SM1032001SC		SCREW M3X0.5 L=20						2	
57		WS0310702KS		SPRING WASHER						2	
58		WP0320501SC		WASHER M3						2	
59		NM6030001SC		NUT M3						2	
60		SL4030681SC		SCREW M3 L=6						2	
61		18052704		FELT						1	
62		40084067		CLOTH EDGE SENS- OR CORD 2 ASSY						1	
63		40088157		MANIPULATOR MOUNTING BASE_B						1	
64		40088146		UPPER_MANIPULATOR SHAFT						1	
65		SS8110710SP		SCREW 11/64-40 L=6.5						2	
66		B1161227000		RIVET						1	
67		40088162		MANIPULATOR_SHAFT_METAL						2	
68		CS080081CSH		THRUST COLLAR ASM. D=8.0 W=8						2	
69		SS8110520TP		SCREW 11/64-40 L= 4.5				*		2	
70		40088155		UPPER_MANIPULATOR_BASE						1	
71		18055004		MANIPULATOR POS- ITIONING SHAFT						2	
72		18069807		THRUST WASHER, A						1	
73		18069203		THRUST WASHER, B						1	
74		18069708		THRUST WASHER						1	
75		18056101		SPRING						2	
76		SD0641103TP		HINGE SCREW						1	
77		HX00223000A		BUSHING						.057	
78		40096947		MAGNET_PLATE						1	
79		SS6110630TP		SCREW 11/64-40 L=6						1	
80		NS6110310SP		NUT 11/64-40						1	
81		SS1110640TP		SCREW 11/64-40 L= 5.5						2	
82		18055509		MANIPULATOR LEVER						1	
83		SD0640321SP		HINGE SCREW D= 6.35 H= 3.2						1	
84		18070854		SEAM ADJUST KNOB ASM.						1	
85		18053603		SEAM ADJUST GEAR						1	
86		18053801		RATCHET						1	
87		18053900		SPRIG						1	
88		18054403		COLLER						1	
89		18071001		SHAFT RETAINER B						1	
90		18059709		SHAFT RETAINER						1	

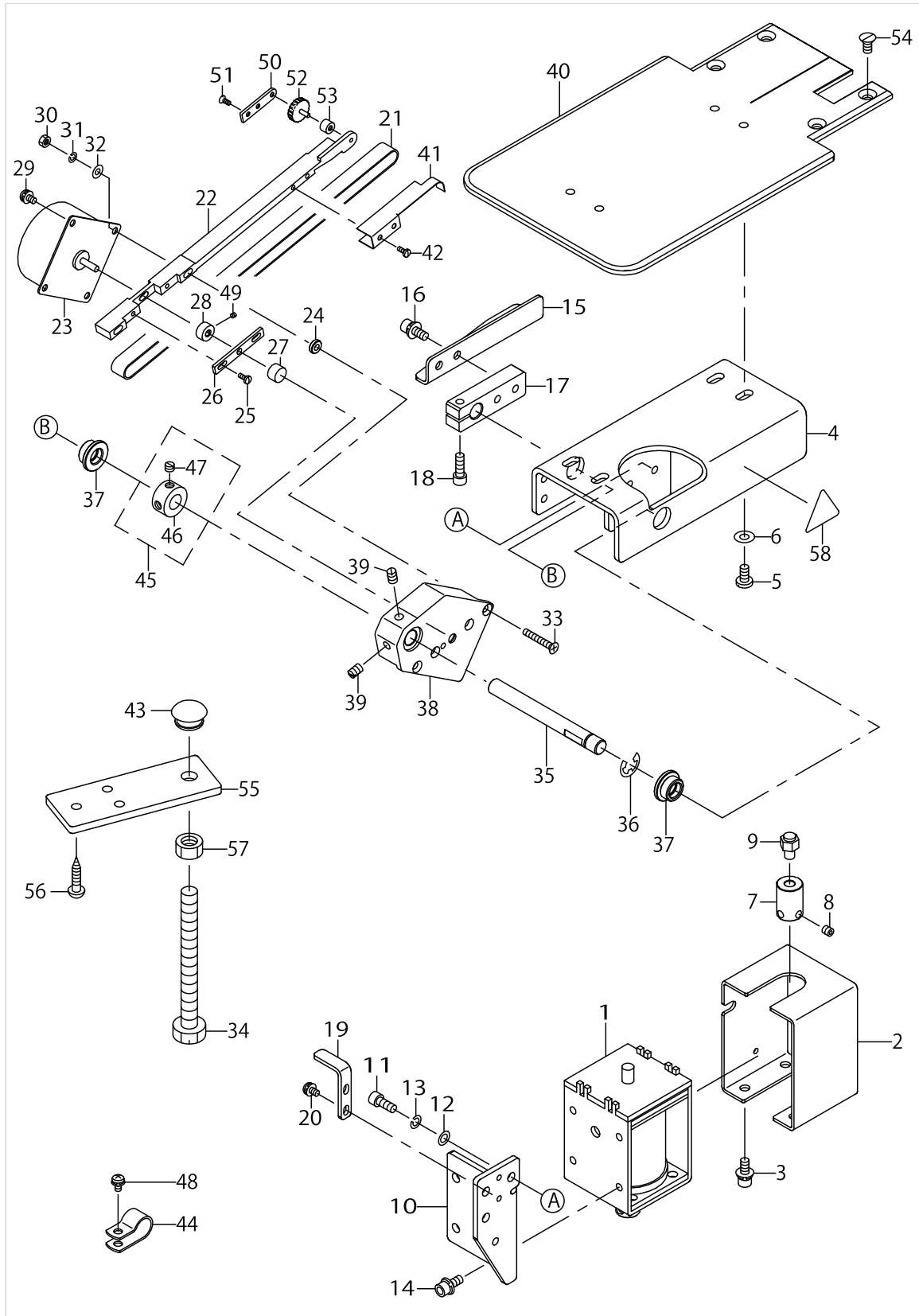
UPPER MANIPULATOR COMPONENTS



UPPER MANIPULATOR COMPONENTS

No.	Supply Code	Parts No.	Replacement	Parts name	Remarks	Choice	Step	Level	Cons	Qty	Rep. QTY
91		SS7110710SP		SCREW 11/64-40 L=7						4	
92		18071308		SENSOR STOPPER SHAFT						1	
93		NS6110420SP		NUT 11/64-40						2	
94		HX000930000		STAPLE, SMALL						1	
95		E9608603000		STICKER (MIDDLE)						2	
96		SM6040602TN		BOLT						2	
97		40096948		MAGNET_CATCHER						1	
98		SM1041400SP		SCREW						1	
99		NM6040001SP		NUT M4X0.7						1	
100		40096946		MAGNET						1	

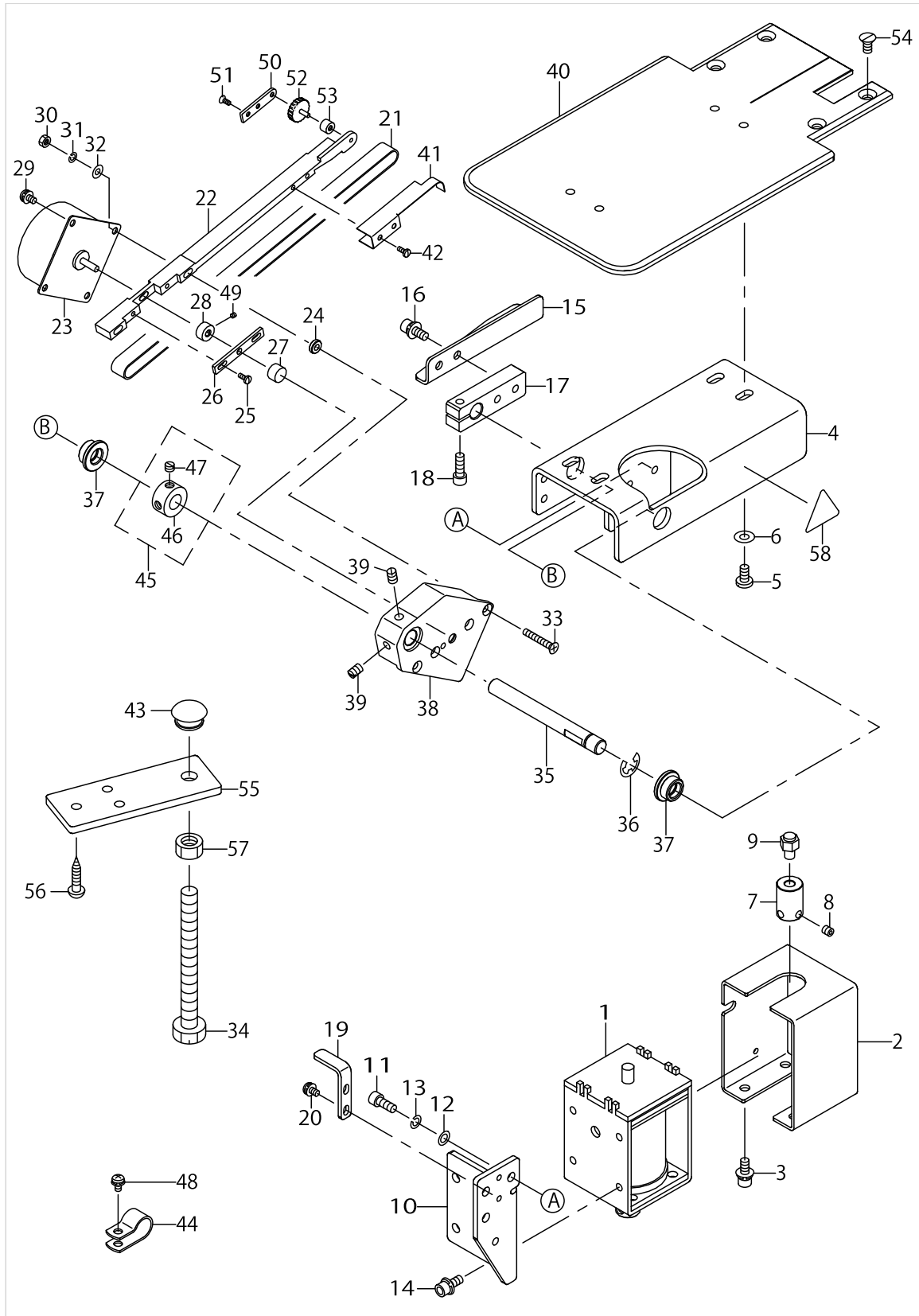
LOWER MANIPULATOR COMPONENTS



LOWER MANIPULATOR COMPONENTS

No.	Supply Code	Parts No.	Replacement	Parts name	Remarks	Choice	Step	Level	Cons	Qty	Rep. QTY
1		40084098		MANIPULATOR SOLENOID						1	
2		40088163		LOWER_SOLENOID_COVER_B						1	
3		SL6041092TN		SCREW						4	
4		40088209		LOWER_MANIPULATOR_BASE						1	
5		SS7110740TP		SCREW 11/64-40 L=7						4	
6		WP0450801SD		WASHER 4.5X10X0.8						4	
7		40088158		SOLENOID_STOPPER_B						1	
8		SM8040412TP		SET SCREW M4 L=4						2	
9		40088204		STOPPER_PIN						1	
10		40088159		SOLENOID_BRACKET_B						1	
11		SM6041002TP		SCREW M4 L=10						3	
12		WP0450846SP		WASHER						3	
13		WS0410002KP		SPRING WASHER						3	
14		SL6041092TN		SCREW						4	
15		40088160		LOWER MANIPULATOR_LEVER_B						1	
16		SL6041092TN		SCREW						2	
17		40088153		MANIPULATOR_DRIVE_LEVER						1	
18		SM6041202TP		SCREW M4X0.7 L=12						1	
19		40088164		LOWER_MANIPULATOR_LEVER_B_STOP						1	
20		SL4030681SC		SCREW M3 L=6						2	
21		18059303		TIMING BELT						1	
22		18054700		SWING ARM						1	
23		40084099		MANIPULATOR_MOTOR						1	
24		18052902		SWING ARM COLLER						2	
25		SS7060510SP		SCREW 3/32-56 L=4.8						2	
26		18054601		MOTOR FIXER						1	
27		18052704		FELT						1	
28		18056903		SPROCKET B						1	
29		SL4030681SC		SCREW M3 L=6						2	
30		NM6030001SC		NUT M3						2	
31		WS0310702KS		SPRING WASHER						2	
32		WP0320501SC		WASHER M3						2	
33		SM1032001SC		SCREW M3X0.5 L=20						2	
34		SM9088013SE		SCREW M8 L=80						1	
35		40088161		LOWER_MANIPULATOR_SHAFT						1	
36		RE0600000K0		E-RING 6						1	
37		40088162		MANIPULATOR_SHAFT_METAL						2	
38		40088157		MANIPULATOR MOUNTING BASE_B						1	
39		SS8110710SP		SCREW 11/64-40 L=6.5						2	
40		40088165		LOWER MANIPULATOR BASE						1	
41		40088221		LOWER CONTROL ROLLER COVER						1	
42		SS7060510SP		SCREW 3/32-56 L=4.8						2	
43		TA1250705R0		RUBBER PLUG						1	
44		HX00150000D		CABLE CLIP						1	
45		CS080081ASH		THRUST HOLDER ASM. D=8 W=8						1	
46		CS0800816SH		THRUST HOLDER D=8 W=8				*		1	

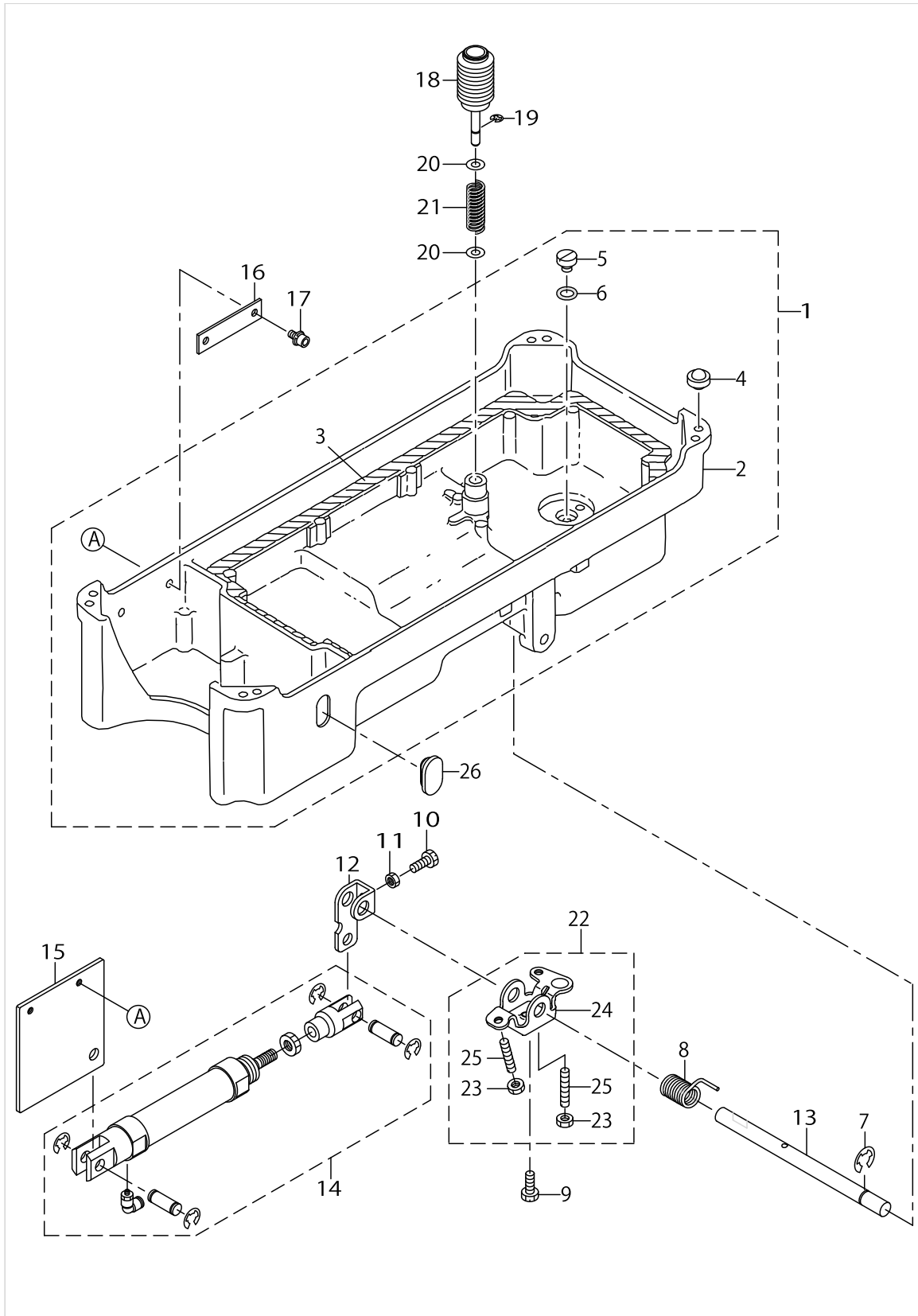
LOWER MANIPULATOR COMPONENTS



LOWER MANIPULATOR COMPONENTS

No.	Supply Code	Parts No.	Replacement	Parts name	Remarks	Choice	Step	Level	Cons	Qty	Rep. QTY
47		SS8110320SP		SCREW 11/64-40 L= 3.2				*		2	
48		SL4030691SC		SCREW M3X6						1	
49		SS8060210TP		SCREW						1	
50		18065805		SUPPORT PLATE						1	
51		SS2060510SP		SCREW 3/32-56 L=4.5						2	
52		18054205		CONTROL ROLLER						1	
53		18056804		SPROCKET A						1	
54		SS1110840SP		SCREW 11/64-40 L=8						4	
55		18059501		LOWER MANIPULATOR BASE						1	
56		SK3412001SE		WOOD SCREW D=4.1 L=20						3	
57		NM6080001SC		NUT M8X1.25						1	
58		CM300200002		CAUTION LABEL(25)						1	

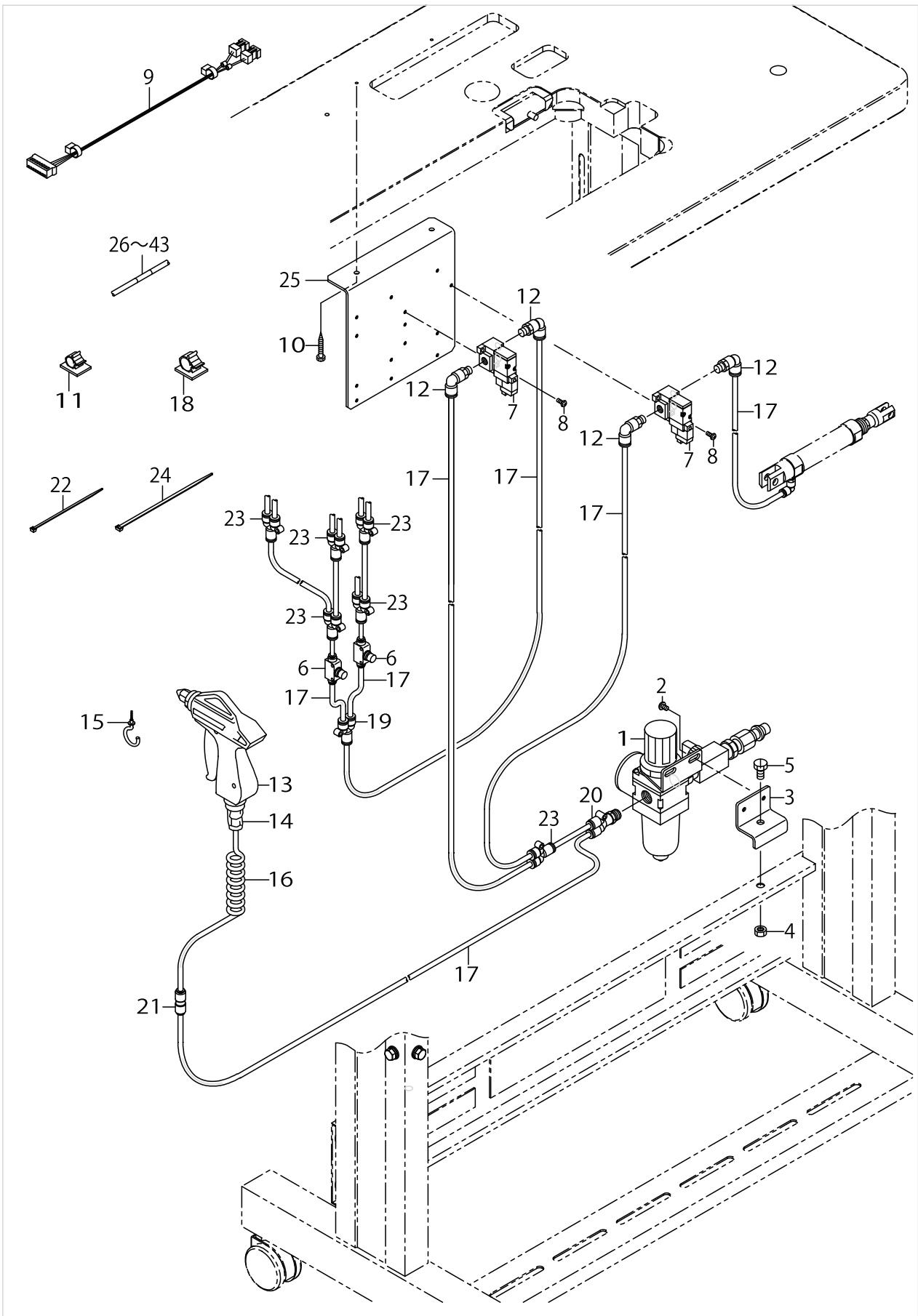
AUTOMATIC PRESSER LIFTER COMPONENTS



AUTOMATIC PRESSER LIFTER COMPONENTS

No.	Supply Code	Parts No.	Replacement	Parts name	Remarks	Choice	Step	Level	Cons	Qty	Rep. QTY
1		40088651		OIL PAN ASM						1	
2		40088190		OIL PAN				*		1	
3		11024700		GASKET				*		1	
4		11047107		RUBBER CUSHION				*		4	
5		SS6700710SH		SCREW 5/16-24 L=7				*		1	
6		RO098240100		RUBBER RING				*		1	
7		RE1000000K0		E-RING 10						1	
8		22932206		SPRING						1	
9		SM9061853SR		SCREW M6 L=17.5						1	
10		SS9151540SR		SCREW15/64-28L=15						1	
11	R	NS6150430SR	NS6150430SP	NUT 15/64-28						1	1.00
12		GAK53002000		LEVER						1	
13		GAK39007000		KNEE PRESS ROD						1	
14		PA2002510A0		AIR CYLINDER ASM.						1	
15		GAK53001000		CYLINDER PLATE						1	
16		GAK39005000		WASHER						1	
17		SL6051092TN		BOLT						2	
18		GAK300010B0		KNEE PRESS LIFTER ROD ASM.						1	
19		RE0400000K0		E-RING 4						1	
20		WP0621016SD		WASHER 6.2X13X1						2	
21		GAK30005000		SPRING						1	
22		22932156		KNEE LIFTER ROTATION ARM ASM.						1	
23		NM6060001SE		NUT M6				*		2	
24	R	22932107	22932156	KNEE LIFTING ROTATING ARM				*		1	1.00
25		SM8063012TR		SCREW M6 L=30				*		2	
26		40028877		FACE_COVER_CAP						1	

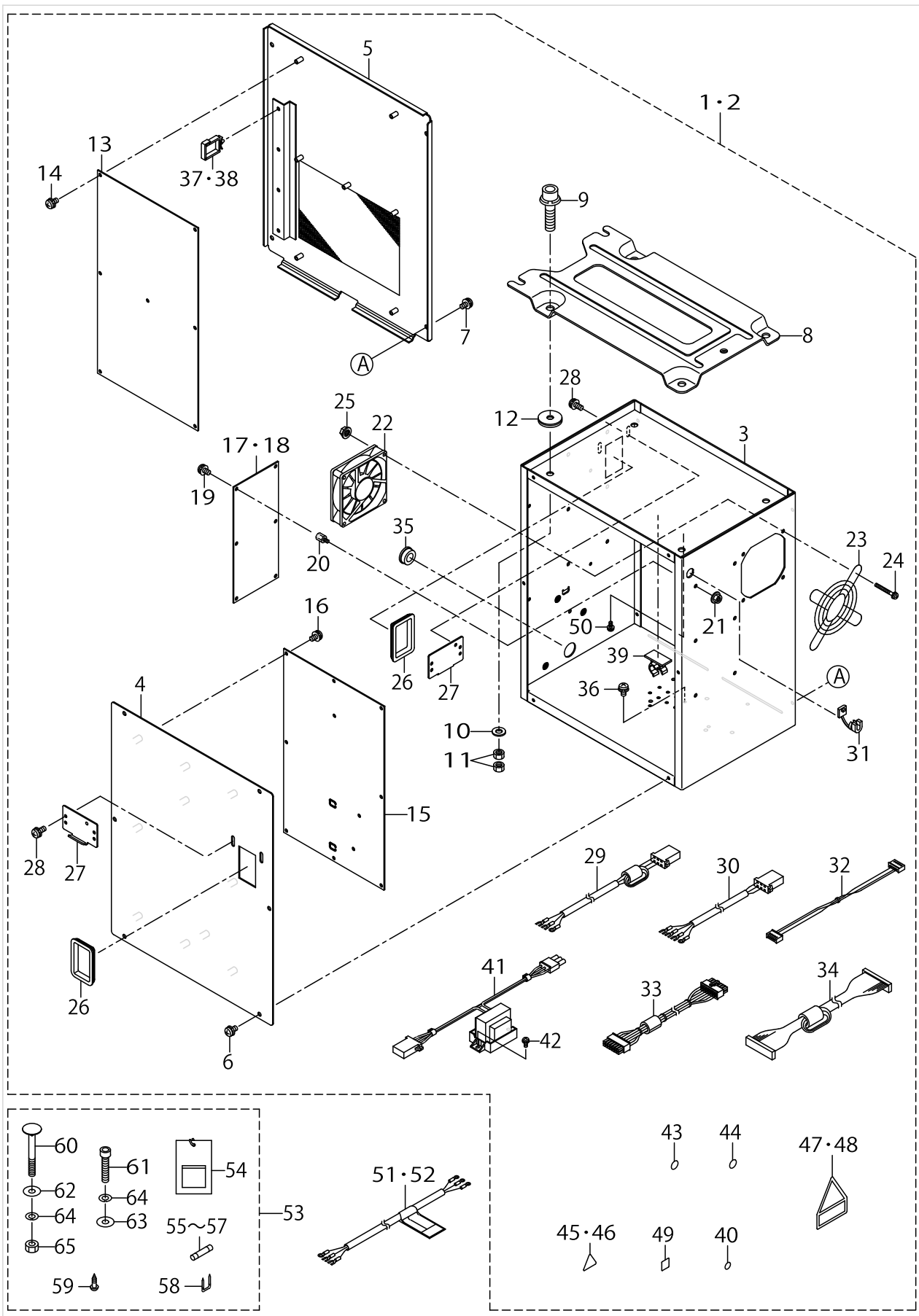
AIR COMPONENTS



AIR COMPONENTS

No.	Supply Code	Parts No.	Replacement	Parts name	Remarks	Choice	Step	Level	Cons	Qty	Rep. QTY
1		40088208		FILTER_REGULATOR_ASSY						1	
2	D	SM4050801SC		SCREW M5X0.8 L=8						2	
3		40023662		FILTER INSTALLING PLATE						1	
4		NM6080721SE		NUT M8						1	
5		SM9081620SE		SCREW M8 L=16						1	
6		PC012601000		SPEED CONTROLLER						2	
7		PV1351280A0		3-PORT SOLENOID VALVE						2	
8		SM4041001SN		SCREW M4X0.7 L=10						4	
9		40084066		VALVE CORD 1 ASSY						1	
10		ST9053511SR		TAPPING SCREW M5X35						2	
11		E9608603000		STICKER (MIDDLE)						1	
12		PJ304065101		ELBOW UNION 6XPT1/8						4	
13		40044823		AIR_GUN						1	
14		PJ301065201		HALF UNION 6XPT1/4						1	
15		MAT81163T00		CORD HOLDER						1	
16		GSS36020000		COIL TUBE						1	
17		BT0600401EB		TUBE						10	
18		E9609603000		STICKER (LARGE)						2	
19		PJ308060003		Y UNION						1	
20		PJ308065202		Y-UNION						1	
21		PJ303060001		STRAIGHT UNION						1	
22		EA9500B0100		CABLE BAND						10	
23		PJ308060004		Y UNION						6	
24		EA9500B0200		CABLE BAND 150						10	
25		40088188		VALVE_PANEL						1	
26		18036608		WIRE MARK (17)						4	
27		18036707		WIRE MARK (18)						5	
28		18035006		CABLE MARK NO.1						2	
29		18035105		WIRE MARK (2)						4	
30		18035204		WIRE MARK (3)						4	
31		18035303		WIRE MARK (4)						4	
32		18035402		WIRE MARK (5)						4	
33		18035501		WIRE MARK (6)						6	
34		18035600		WIRE MARK (7)						4	
35		18035709		WIRE MARK (8)						2	
36		18035808		WIRE MARK (9)						2	
37		18035907		WIRE MARK (10)						2	
38		18036004		WIRE MARK (11)						4	
39		18036103		WIRE MARK (12)						4	
40		18036202		WIRE MARK (13)						4	
41		18036301		WIRE MARK (14)						4	
42		18036400		WIRE MARK (15)						4	
43		18036509		WIRE MARK (16)						4	

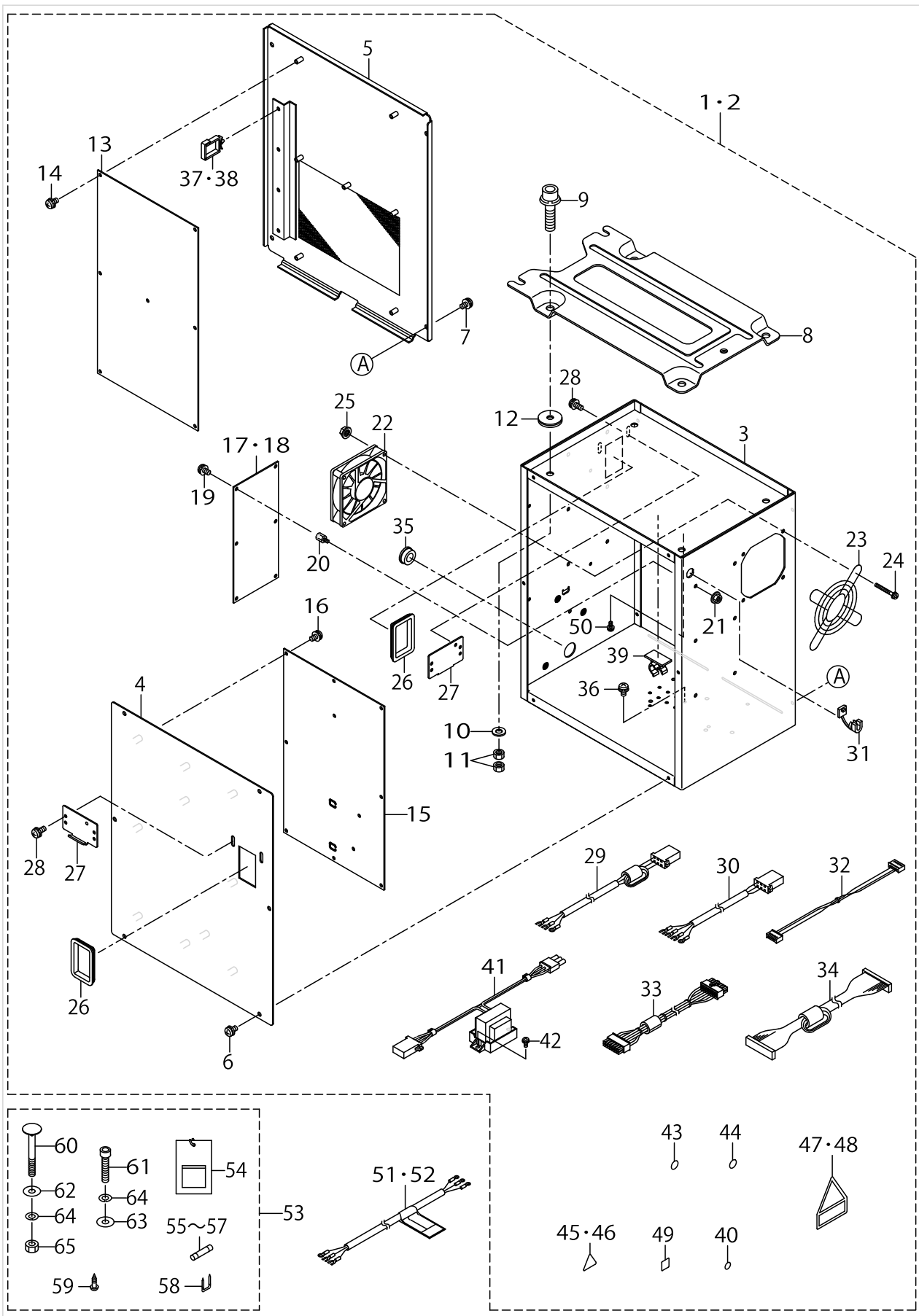
CONTROL BOX COMPONENTS



CONTROL BOX COMPONENTS

No.	Supply Code	Parts No.	Replacement	Parts name	Remarks	Choice	Step	Level	Cons	Qty	Rep. QTY
1		40084096		BOX A 1P	FOR 1-PH-ASE 220~--240V GENERAL EXPORT (CE)					1	
2		40084097		BOX B 3P	FOR 3-PH-ASE 200~--220V USE IN JAPAN,EXPORT					1	
3		40055355		CONTROL BOX				*		1	
4		40084094		CONTROL BOX FRONT COVER				*		1	
5		40055357		CONTROL BOX REAR COVER				*		1	
6		SL4040891SC		SCREW M4 L=8				*		6	
7		SL4040891SC		SCREW M4 L=8				*		4	
8		M3801476000		CONTROL BOX FITTING PLATE				*		1	
9		SL6083092TN		SCREW				*		4	
10		WP0841601SC		WASHER 8.4X17.4X1.6				*		4	
11		NM6080001SC		NUT M8X1.25				*		8	
12		M4206461000		WASHER				*		4	
13		40084041		MAIN PCB A ASSY				*		1	
14		SL4040881SC		SCREW M4 L=8				*		7	
15	R	40000029	40082758	SDC PCB A ASS'Y				*		1	1.00
16		SL4040881SC		SCREW M4 L=8				*		10	
17	R	40000046	40162838	FLT-S PCB A ASS'Y	FOR 1-PH-ASE 220~--240V GENERAL EXPORT (CE)			*		1	1.00
18		40000056		FLT-T PCB A ASS'Y	FOR 3-PH-ASE 200~--220V USE IN JAPAN,EXPORT			*		1	
19		SL4040881SC		SCREW M4 L=8				*		6	
20		HX003390000		STUD				*		6	
21		NM3040520SC		NUT M4				*		6	
22		40005401		FAN MOTOR ASS'Y				*		1	
23		HM000480010		FINGER GUARD				*		1	
24		SL4043591SC		SCREW				*		4	
25		NM3040520SC		NUT M4				*		4	
26		HX004070000		BUSH				*		2	
27		17845009		CORD FITTING PLATE				*		2	
28		SL4041091SC		SCREW M4 L=10				*		4	
29		40091945		POWER CORD 1P ASSY	FOR 1-PH-ASE 220~--240V GENERAL EXPORT (CE)			*		1	
30		40084079		POWER CORD 3P ASSY	FOR 3-PH-ASE 200~--220V USE IN JAPAN,EXPORT			*		1	
31		HX00410000A		STRAIN RELIEF BUSHING				*		1	
32		40005394		FLT-SDC CORD S ASS'Y				*		1	
33		40091271		SDC-MAIN CORD P ASSY				*		1	
34		40082736		SDC-MAIN CORD S ASSY				*		1	
35		HX00326000K		CABLE BAND				*		1	
36		SL4040891SC		SCREW M4 L=8				*		2	

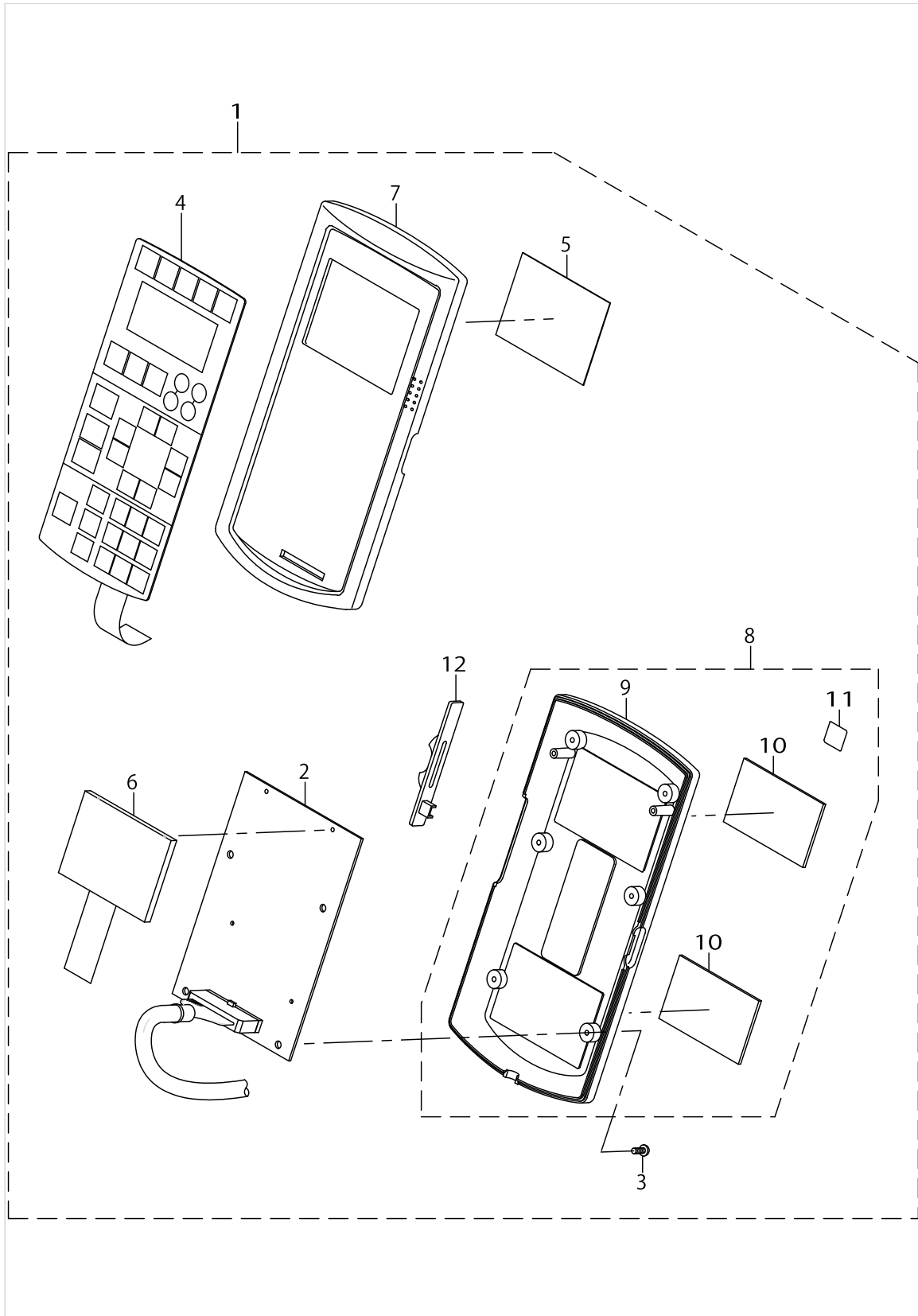
CONTROL BOX COMPONENTS



CONTROL BOX COMPONENTS

No.	Supply Code	Parts No.	Replacement	Parts name	Remarks	Choice	Step	Level	Cons	Qty	Rep. QTY
37		HX005110000		WIRE SADDLE	FOR 1-PH-ASE 220~-240V GENERAL EXPORT (CE)			*		4	
38		HX005110000		WIRE SADDLE	FOR 3-PH-ASE 200~-220V USE IN JAPAN,EXPORT			*		3	
39		KX000000330		WIRE SADDLE				*		1	
40		E9567319000		EARTH MARK				*		1	
41		40012038		REACTOR CORD ASSY				*		1	
42		SL4041091SC		SCREW M4 L=10				*		2	
43		40003458		MASK SEAL				*		16	
44		CM200100001		PE MARK LABEL				*		1	
45		CM300100003		VOLTAGE WARNING LABEL(25)	FOR 1-PH-ASE 220~-240V GENERAL EXPORT (CE)			*		1	
46		CM300100401		LABEL 3 (LARGE)	FOR 3-PH-ASE 200~-220V USE IN JAPAN,EXPORT			*		1	
47		CM300400601		VOLTAGE CAUTION LABEL				*		1	
48		CM300400701		VOLTAGE CAUTION LABEL				*		1	
49		CM600100101		WEEE MARK LABEL S				*		1	
50		SL4041081SC		SCREW M4 L=10				*		1	
51		40058397		AC POWER CORD B ASM	FOR 1-PH-ASE 220~-240V GENERAL EXPORT (CE)					1	
52		40058398		AC POWER CORD C ASM	FOR 3-PH-ASE 200~-220V USE IN JAPAN,EXPORT					1	
53		40084058		OPTION A ASSY						1	
54		M300451100A		VOLTAGE INDICATION CARD,A				*		1	
55		HF00130315S		FUSE 3.15A 250V REF. NO.112				*		1	
56		HF003000200		FUSE 2A (220/240V)				*		1	
57		HF0013050P0		FUSE 5A				*		1	
58		MAO11532000		CORD STAPLE				*		3	
59		SK3512001SE		WOOD SCREW D=5.1 L=20				*		2	
60		MTSHJ100003		BOLT				*		2	
61		SM6084002TN		SCREW M8 L=40				*		1	
62		WP0852086SC		WASHER M8				*		2	
63		WP0841601SC		WASHER 8.4X17.4X1.6				*		1	
64		WS0820002KR		SPRING WASHER, M8				*		3	
65		NM6080002SC		NUT M8				*		2	

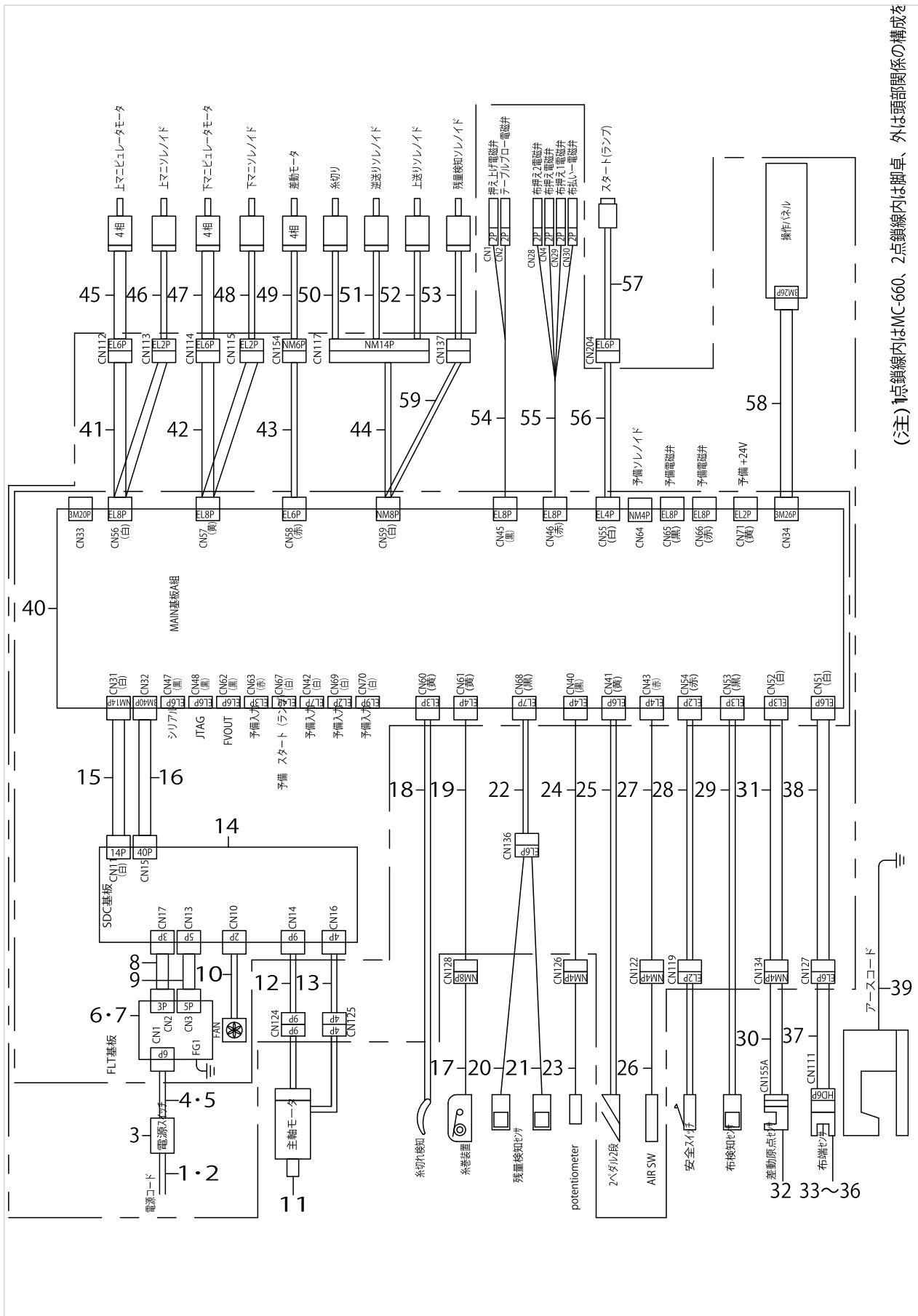
OPERATION PANEL COMPONENTS



OPERATION PANEL COMPONENTS

No.	Supply Code	Parts No.	Replacement	Parts name	Remarks	Choice	Step	Level	Cons	Qty	Rep. QTY
1		40084095		OPERATION PANEL ASSY						1	
2		40084092		PANEL PCB AE ASSY				*		1	
3		ST4031051SN		TAPPING SCREW D=3-24 L=10				*		6	
4		40084093		PANEL SHEET A				*		1	
5		40003462		LCD SHEET				*		1	
6		40077469		LCD_MODULE				*		1	
7		40003464		OPERATION BOX UPPER CASE				*		1	
8		M10315800A0		OPERATION BOX L- OWER CASE ASM.				*		1	
9		M1031580000		OPERATION BOX LOWER CASE				*		1	
10		M1011580000		MAGNET SHEET				*		2	
11		CM600100101		WEEE MARK LABEL S				*		1	
12		M1032580000		VOLUME TONGUE				*		1	

WIRING DIAGRAM

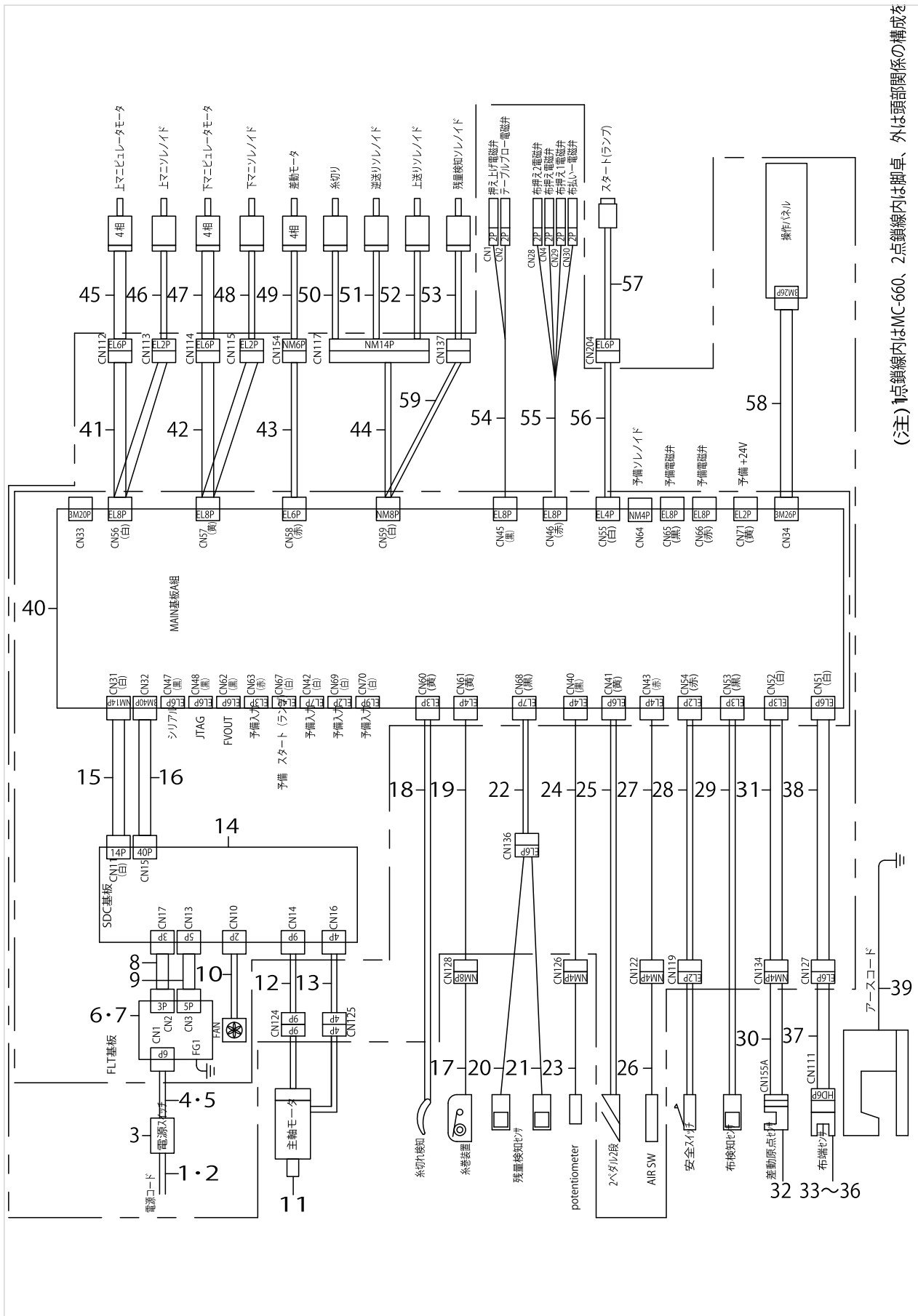


(注)1点鎖線内はMC-660、2点鎖線内は脚卓、外は頭部関係の構成を

WIRING DIAGRAM

No.	Supply Code	Parts No.	Replacement	Parts name	Remarks	Choice	Step	Level	Cons	Qty	Rep. QTY
1		40058397		AC POWER CORD B ASM	FOR 1-PH-ASE 220~--240V GENERAL EXPORT (CE)					1	
2		40058398		AC POWER CORD C ASM	FOR 3-PH-ASE 200~--220V USE IN JAPAN,EXPORT					1	
3		HA005820000		SWITCH						1	
4		40091945		POWER CORD 1P ASSY	FOR 1-PH-ASE 220~--240V GENERAL EXPORT (CE)					1	
5		40084079		POWER CORD 3P ASSY	FOR 3-PH-ASE 200~--220V USE IN JAPAN,EXPORT					1	
6	R	40000046	40162838	FLT-S PCB A ASS'Y	FOR 1-PH-ASE 220~--240V GENERAL EXPORT (CE)					1	1.00
7		40000056		FLT-T PCB A ASS'Y	FOR 3-PH-ASE 200~--220V USE IN JAPAN,EXPORT					1	
8		40012038		REACTOR CORD ASSY						1	
9		40005394		FLT-SDC CORD S ASS'Y						1	
10		40005401		FAN MOTOR ASS'Y						1	
11		40050265		AC_SERVO_MOTOR						1	
12		40084084		SERVO MOTOR ENCODER RELAY CORD						1	
13		40084083		SERVO MOTOR RELAY CORD ASSY						1	
14	R	40000029	40082758	SDC PCB A ASS'Y						1	1.00
15		40091271		SDC-MAIN CORD P ASSY						1	
16		40082736		SDC-MAIN CORD S ASSY						1	
17		13870258		BOBBIN THREAD WIDING DEVICE						1	
18		40084061		THB SENSOR CORD ASSY						1	
19		40084086		BOBBIN WINDER CORD ASSY						1	
20		40090488		PROXIMITY SENSOR ASSY						1	
21		40090489		PROXIMITY SENSOR ASSY						1	
22		40084059		LOWER THREAD SENSOR CORD ASSY						1	
23	D	11281300		POTENTIOMETER						1	
24		40084080		POTENTIOMETER CORD ASSY						1	
25		40084064		PEDAL SWITCH ASM						1	
26		40088208		FILTER_REGULATOR_ASSY						1	
27		40084081		AIR SWITCH CORD ASSY						1	
28		40084074		SAFETY SW CORD ASSY						1	
29		40084075		CLOTH DETECTOR ASSY						1	
30		11281557		TRUNK CORD ASM.						1	
31		40084076		DIFFERENTIAL POSITION CORD ASSY						1	
32		HD000570000		SENSOR						1	
33		40084100		EDGE SENSOR 4/2	TYPE 4/2					1	
34		40084101		EDGE SENSOR 4/4	TYPE 4/4					1	
35		40084102		EDGE SENSOR 2/2	TYPE 2/2					1	

WIRING DIAGRAM

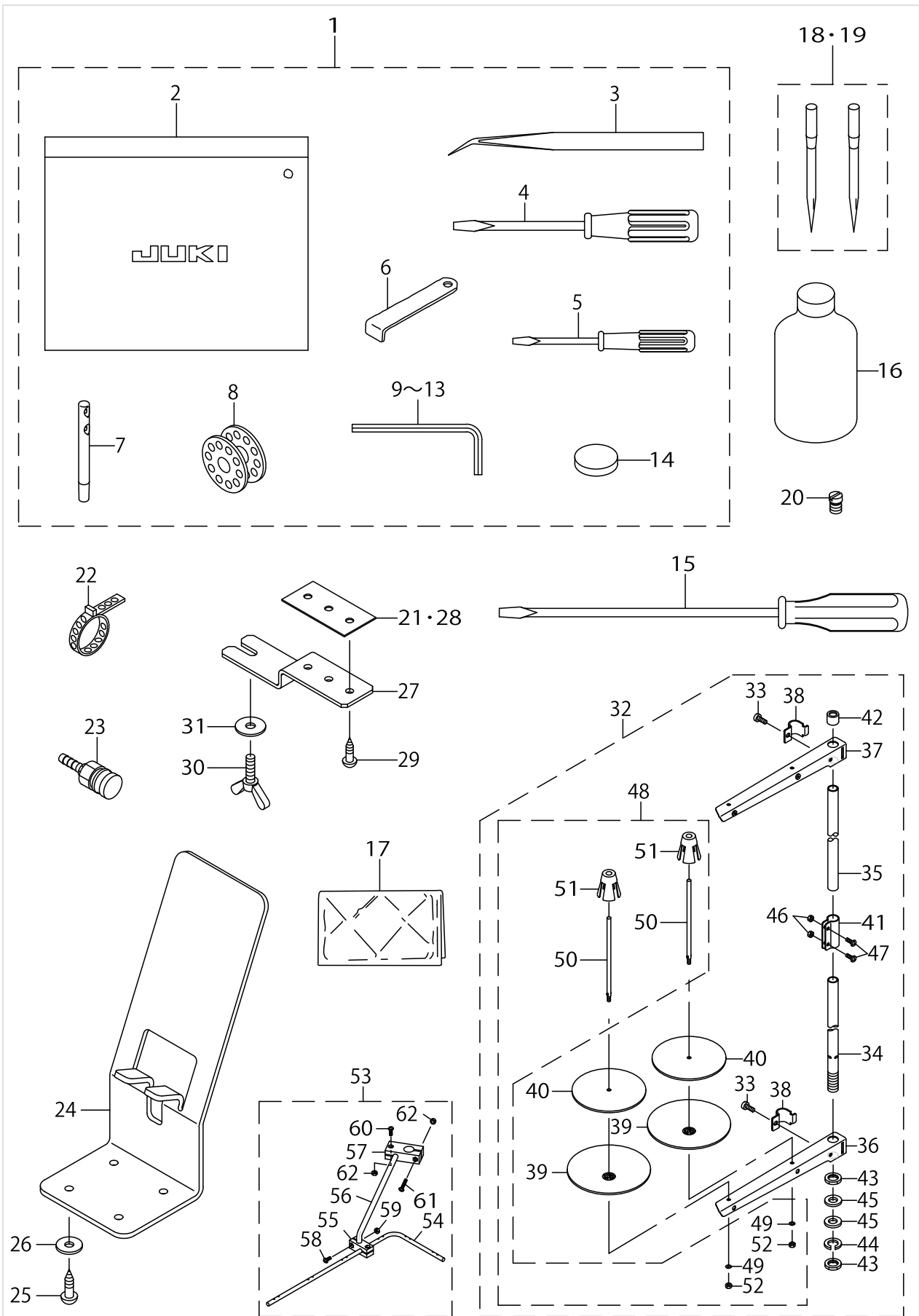


(注)1点鎖線内はMC-660、2点鎖線内は脚卓、外は頭部関係の構成を

WIRING DIAGRAM

No.	Supply Code	Parts No.	Replacement	Parts name	Remarks	Choice	Step	Level	Cons	Qty	Rep. QTY
36		40084103		EDGE SENSOR 4/2-3	TYPE 4/2-3					1	
37		40084067		CLOTH EDGE SENSOR CORD 2 ASSY						1	
38		40084085		CLOTH EDGE SENSOR CORD 1 ASSY						1	
39		40090869		EARTH CORD ASSY						1	
40		40084041		MAIN PCB A ASSY						1	
41		40084070		UPPER_MANI CORD ASSY						1	
42		40084069		LOWER_MANI CORD ASSY						1	
43		40084077		DIFFERENTIAL MOTOR CORD ASSY						1	
44		40084071		SOLENOID CORD ASSY						1	
45		40084099		MANIPULATOR_MOTOR						1	
46		40084098		MANIPULATOR SOLENOID						1	
47		40084099		MANIPULATOR_MOTOR						1	
48		40084098		MANIPULATOR SOLENOID						1	
49		11281458		STEPPING MOTOR						1	
50	R	11043908	40106930	THREAD TRIMMER SOLENOID						1	1.00
51	R	11228459	40108027	SOLENOID INSTALLING BASE ASM.						1	1.00
52		11281656		SOLENOID ASM.						1	
53		40084091		ROTARY SOLENOID ASSY						1	
54		40084066		VALVE CORD 1 ASSY						1	
55		40084082		VALVE CORD 2 ASSY						1	
56		40084073		START SWITCH CORD ASSY						1	
57		40014098		OPTION_SWITCH_ASSY						1	
58		40084095		OPERATION PANEL ASSY						1	
59		40091087		SOLENOID EXTENSION CORD ASSY						1	

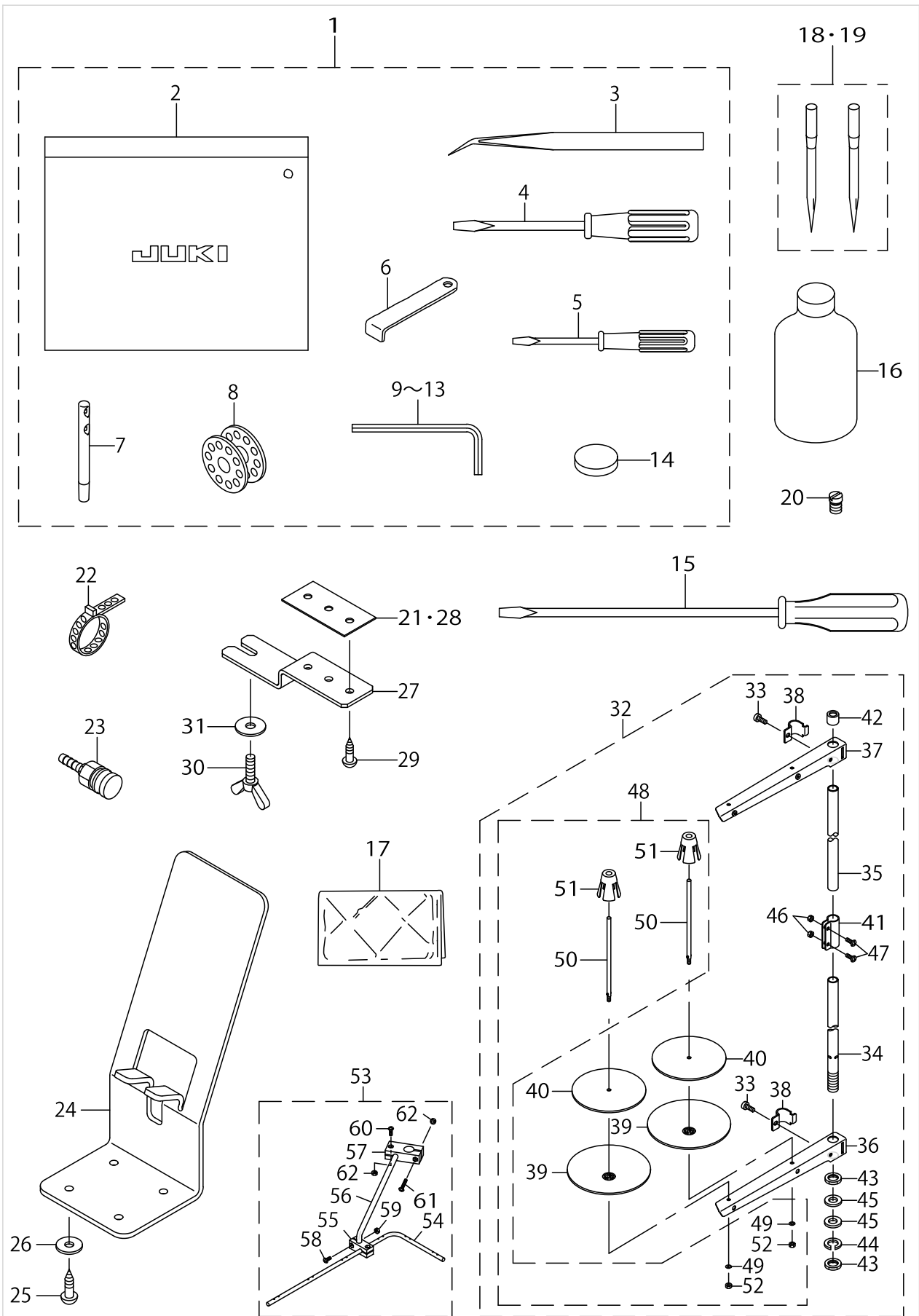
ACCESSORIE PART COMPONENTS



ACCESSORIE PART COMPONENTS

No.	Supply Code	Parts No.	Replacement	Parts name	Remarks	Choice	Step	Level	Cons	Qty	Rep. QTY
1		40088641		ACCESSORIES BAG ASM						1	
2		22932800		ACCESSORIE BAG				*		1	
3		12288403		TWEEZERS				*		1	
4		22933105		SCREW DRIVER,MIDDLE				*		1	
5		22933204		SCREW DRIVER,SMALL				*		1	
6		B9101490000		DRIVER				*		1	
7		22958300		NEEDLE THREAD GUIDE PIN				*		1	
8		22932909		BOBBIN				*		1	
9		GCT02906000		HEXAGONAL SPANNER				*		1	
10		B9140372000		HEXAGONAL WRENCH, SMALL				*		1	
11		B9141372000		HEXAGONAL WRENCH, LARGE				*		1	
12		12455705		HEXAGONAL WRENCH, 2.5				*		1	
13		J106600000B		HEXAGONAL WRENCH KEY (2MM)				*		1	
14		B8228125000		OIL RESERVOIR MAGNET				*		1	
15		22933006		SCREW DRIVER,LARGE						1	
16		MDFRX1600C0		DEFRIX OIL NO.1(600CC)						1	
17		22933303		VINYL COVER						1	
18		MDB100B1102		NEEDLE DBX1#11-2						1	
19	D	MC200500752		134 #75-2	FOR JE					1	
20		B1191490000		SCREW						1	
21		16193203		SPACER						1	
22		PB000010000		HOSE BAND						1	
23		PJ309520001		SOCKET						1	
24		40088189		PANEL_PLATE						1	
25		SK3512001SE		WOOD SCREW D=5.1 L=20						4	
26		WP0561616SC		WASHER 5.6X16X1.6						4	
27		40088184		INSTALLING_PLATE						2	
28		16193005		SPACER						2	
29		SK3451601SE		WOOD SCREW D=4.5 L=16						6	
30		16187007		WING BOLT						2	
31		WP0651646SC		WASHER						2	
32	R	22930358	40096354	THREAD STAND ASM.						1	1.00
33		SM6061610SC		SCREW M6 L=16				*		2	
34	R	22930309	40096354	SPOOL REST ROD, LOWER				*		1	1.00
35	R	22930408	40096354	SPOOL REST ROD, UPPER				*		1	1.00
36	R	22930507	40096354	SPOOL REST ARM				*		1	1.00
37	R	22930556	40096354	THREAD STANDING ARM ASM.				*		1	1.00
38	R	22930705	40096354	THREAD GUIDE ARM JOINT				*		2	1.00
39		22930804		SPOOL REST				*		2	
40		22930903		SPOOL REST CUSHION				*		2	
41	R	22931307	40096354	SPOOL REST ROD JOINT				*		1	1.00
42		22931406		SPOOL REST ROD RUBBER CAP				*		1	
43		NM6160511SE		NUT M16X1.5				*		2	
44	R	WS1643202KR	WP1612616SE	SPRING WASHER		A		*		1	2.00
44	R	WS1643202KR	40085796	SPRING WASHER		A		*		1	2.00
45		WP1612616SE		WASHER 16X30X2.6				*		2	

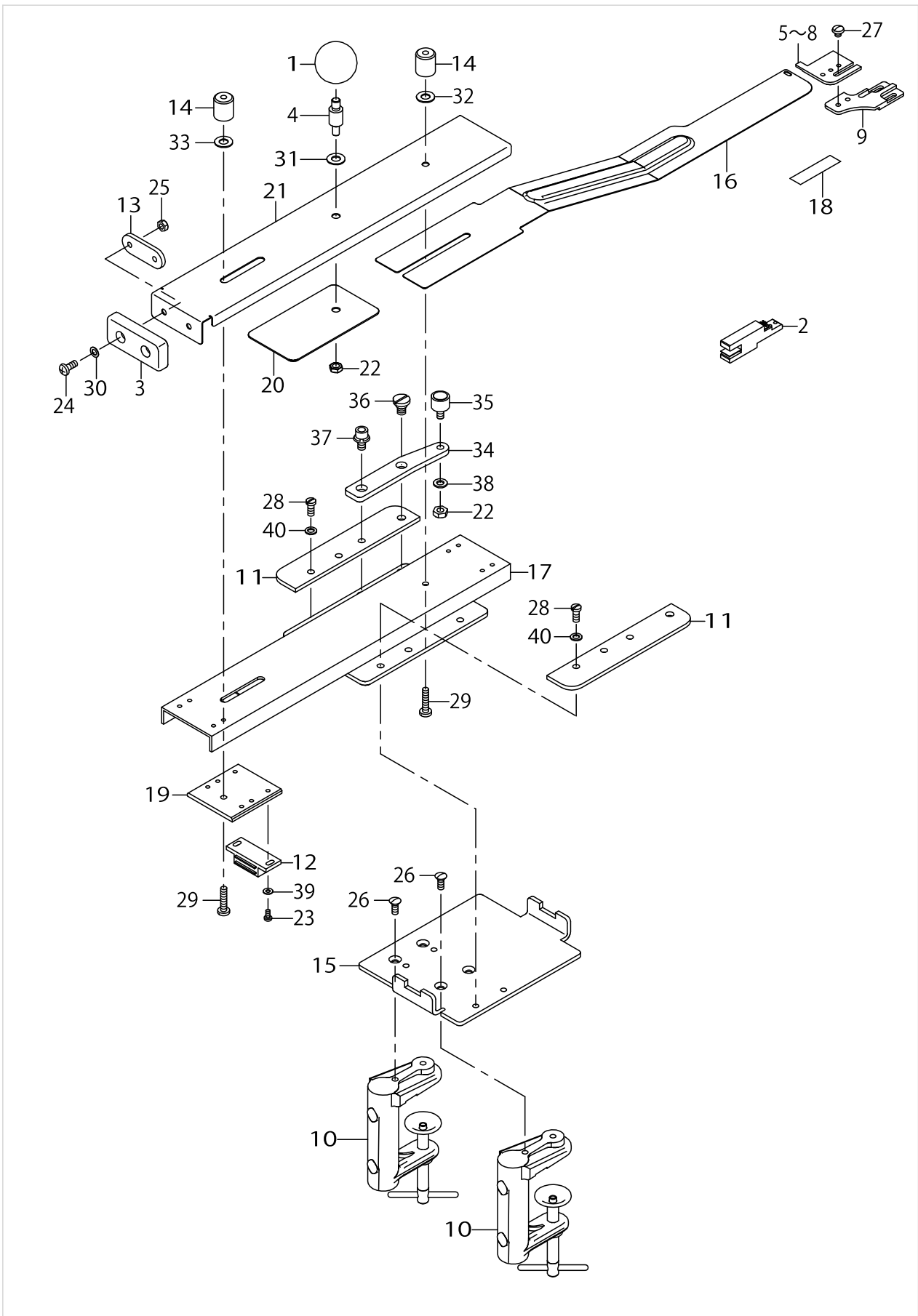
ACCESSORIE PART COMPONENTS



ACCESSORIE PART COMPONENTS

No.	Supply Code	Parts No.	Replacement	Parts name	Remarks	Choice	Step	Level	Cons	Qty	Rep. QTY
46		NM6050001SE		NUT M5				*		2	
47		SM4051405SE		SCREW M5 L=14				*		2	
48		40062684		SPOOL PIN ASM.				*		1	
49		WS0510002KN		SPRING WASHER				*		2	
50	R	22931000	40085790	SPOOL PIN				*		2	1.00
51	R	22931109	40085791	SPOOL RETAINER				*		2	1.00
52		NM6050001SE		NUT M5				*		2	
53		26910059		THREAD GUIDE ARM ASM.						1	
54	R	13167903	26910059	THREAD STANDING THREAD GUIDE				*		1	1.00
55	D R	13168000	26910059	THREAD GUIDE BASE, LOWER				*		1	1.00
56	R	13168109	26910059	THREAD GUIDE ARM BASE				*		1	1.00
57	R	13168208	26910059	THREAD GUIDE ARM BASE				*		1	1.00
58		SM4041001SC		SCREW M4X0.7 L=10				*		2	
59		NM6040002SE		NUT M4X0.7				*		2	
60		SM4041201SC		SCREW M4 L=12				*		1	
61		SM4042001SC		SCREW M4 X 20				*		1	
62		NM6040002SE		NUT M4X0.7				*		2	

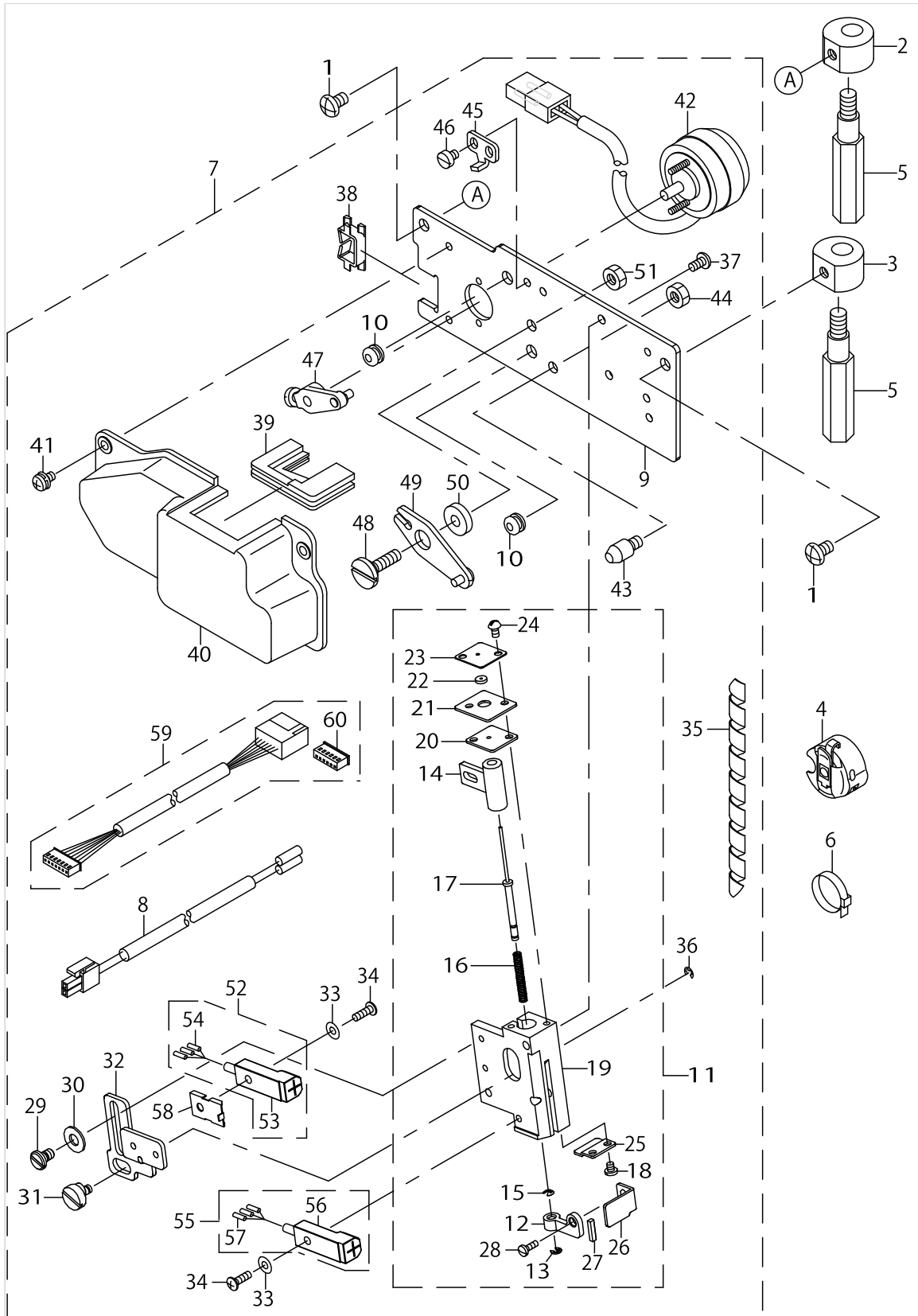
PIN TUCK COMPONENTS



PIN TUCK COMPONENTS

No.	Supply Code	Parts No.	Replacement	Parts name	Remarks	Choice	Step	Level	Cons	Qty	Rep. QTY
1		B1564777000		PRESSER LATCH LEVER BLOCK						1	
2		40084103		EDGE SENSOR 4/2-3						1	
3		GET04102000		RUBBER CAP						1	
4		MAS05507000		HINGE STUD						1	
5		40088194		TUCK_GAUGE_S						1	
6		40088195		TUCK_GAUGE_A						1	
7		40088196		TUCK_GAUGE_B						1	
8		40088197		TUCK_GAUGE_C						1	
9		40088198		GUIDE_BASE_PLATE						1	
10		MAS059010A0		MOUNTING BASE ASM.						2	
11		40088199		SLIDE_RAIL_COVER						2	
12		MAS05905000		MAGNET						1	
13		MAS05910000		CAP_SUPPORT_PLATE						1	
14		MAS05926000		KNOB						2	
15		40088200		PIN-TUCK STOPPER						1	
16		40088216		GAUGE PLATE						1	
17		40088201		SLIDE_RAIL						1	
18		MAS15505000		SCALE PLATE						2	
19		40088175		MAGNET_INSTALLING_PLATE						1	
20		MAS15507000		LINER						1	
21		40088202		PIN_TUCK_COVER						1	
22		NM6050003SC		NUT M5X0.8						1	
23		SM4030601SN		SCREW M3 X 6						2	
24		SM4041055SP		SCREW						2	
25		NM6040001SP		NUT M4X0.7						2	
26		SS2111010TP		SCREW 11/64-40 L=9.5						4	
27		SS5090420SP		SCREW 9/64-40 L=3.5						2	
28		SS7111120TP		SCREW						4	
29		SS7111810TP		SCREW 11/64-40 L=18						2	
30		WP0450000SD		WASHER 4.5X8X0.5						2	
31		WP0612066SP		WASHER 6.1X11X2						1	
32		WP0612516SD		WASHER 6.1X15.2X2.5						1	
33		WP0650876SD		WASHER 6.5X13X0.8						1	
34		40088203		CAM_FOLLOWER_INSTALLING_PLATE						1	
35		40027870		CAM FOLLOWER						1	
36		SD0800337TP		SHOULDER SCREW						1	
37		SL6051092TN		BOLT						1	
38		WP0531000SC		WASHER 5.3X10X1						1	
39		WP0320501SC		WASHER M3						2	
40		WP0480856SP		WASHER 4.8X8.4X0.8						4	

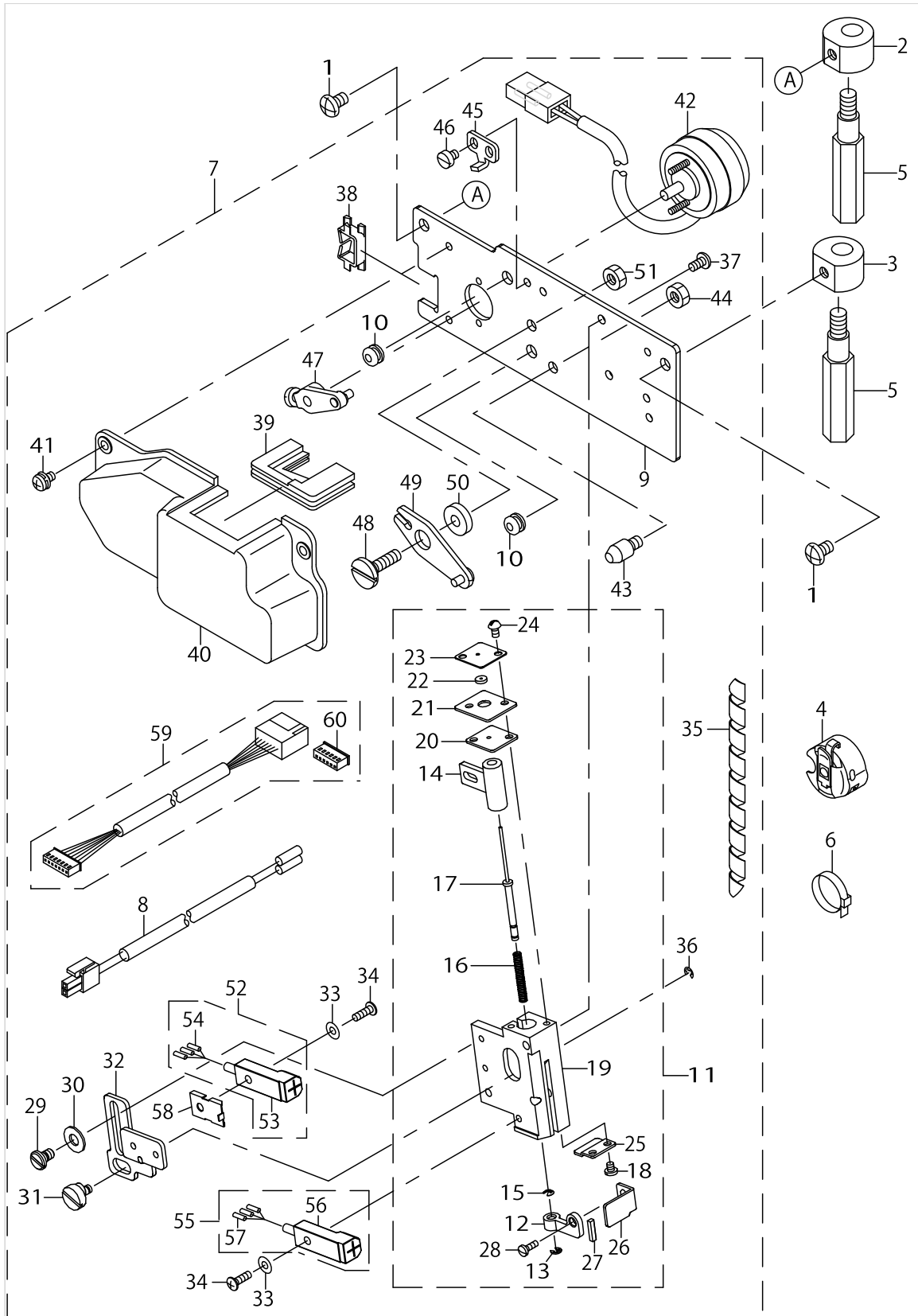
BOBBIN THREAD REMAINING AMOUNT DETECTING COMPONENTS



BOBBIN THREAD REMAINING AMOUNT DETECTING COMPONENTS

No.	Supply Code	Parts No.	Replacement	Parts name	Remarks	Choice	Step	Level	Cons	Qty	Rep. QTY
1		SS4110715SP		SCREW 11/64-40 L=7						2	
2		GAE03041000		STATOR B LEFT						1	
3		GAE03040000		BASE PLATE						1	
4		GAE030450A0		BOBBIN CASE						1	
5		GAE03042000		BED SCREW STUD						2	
6		EA9500B0100		CABLE BAND						3	
7		40088226		DRIVE_DEVICE_ASSY						1	
8		40091087		SOLENOID EXTENSION CORD ASSY				*		1	
9		40088225		BASE_PLATE				*		1	
10		40088228		CODE_BUSH				*		2	
11		40088229		GUIDER_ASSY				*		1	
12		GAE03023000		MAGNET PLATE				*		1	
13		RE015000K0		SNAP RING 1.5				*		1	
14		GAE03021000		DETECTING ROD HOLDER				*		1	
15		GAE03025000		E RING				*		1	
16		GAE03022000		DETECTING ROD SPRING				*		1	
17		GAE03020000		DETECTING ROD				*		1	
18		SS7060310SP		SCREW 3/32-56 L=3				*		2	
19		40090415		GUIDER				*		1	
20		GAE04027000		DETECTING ROD GUIDE PLATE				*		1	
21		GAE04019000		DETECTING ROD FELT GUIDE				*		1	
22		GAE03028000		DETECTING ROD FELT				*		1	
23		GAE04029000		DETECTING ROD COVER				*		1	
24		SS3060410SP		SCREW 3/32-56 L=4				*		2	
25		40090419		DETECTING_ROD_STOPPER				*		1	
26		40090417		L_CHECKER				*		1	
27		40090418		SPACER				*		1	
28		SS7060610SP		SCREW 3/32-56 L= 5.5				*		1	
29		SD0400201SD		HINGE SCREW D= 4 H= 2				*		2	
30		WP0450801SC		WASHER 4.5X10X0.8				*		2	
31		GAE03032000		ECCENTRIC PIN				*		1	
32		40090416		SENSOR_ADJUSTING_BRACKET				*		1	
33		WP0280501SC		WASHER M2.6				*		2	
34		SM0850801SC		SCREW M2.5 L=8				*		2	
35		HX001890000		SPIRAL TUBE				*		1	
36		RE0200000K0		E-RING				*		1	
37		SS4080620TP		SCREW 1/8-44 L=6				*		2	
38		HX00285000A		CORD HOLDER				*		1	
39		GAE04039000		RUBBER CUSHION				*		1	
40		GAE04038000		DRIVING EQUIPMENT COVER				*		1	
41		SL4030681SC		SCREW M3 L=6				*		3	
42		40084091		ROTARY SOLENOID ASSY				*		1	
43	R	B1157781000	40008996	GUIDE PIN				*		1	1.00
44		NS6110420SP		NUT 11/64-40				*		1	
45		GAE03018000		DRIVING LINK STOPPER A				*		1	
46		SS6080410SP		SCREW 1/8-44 L=4				*		2	

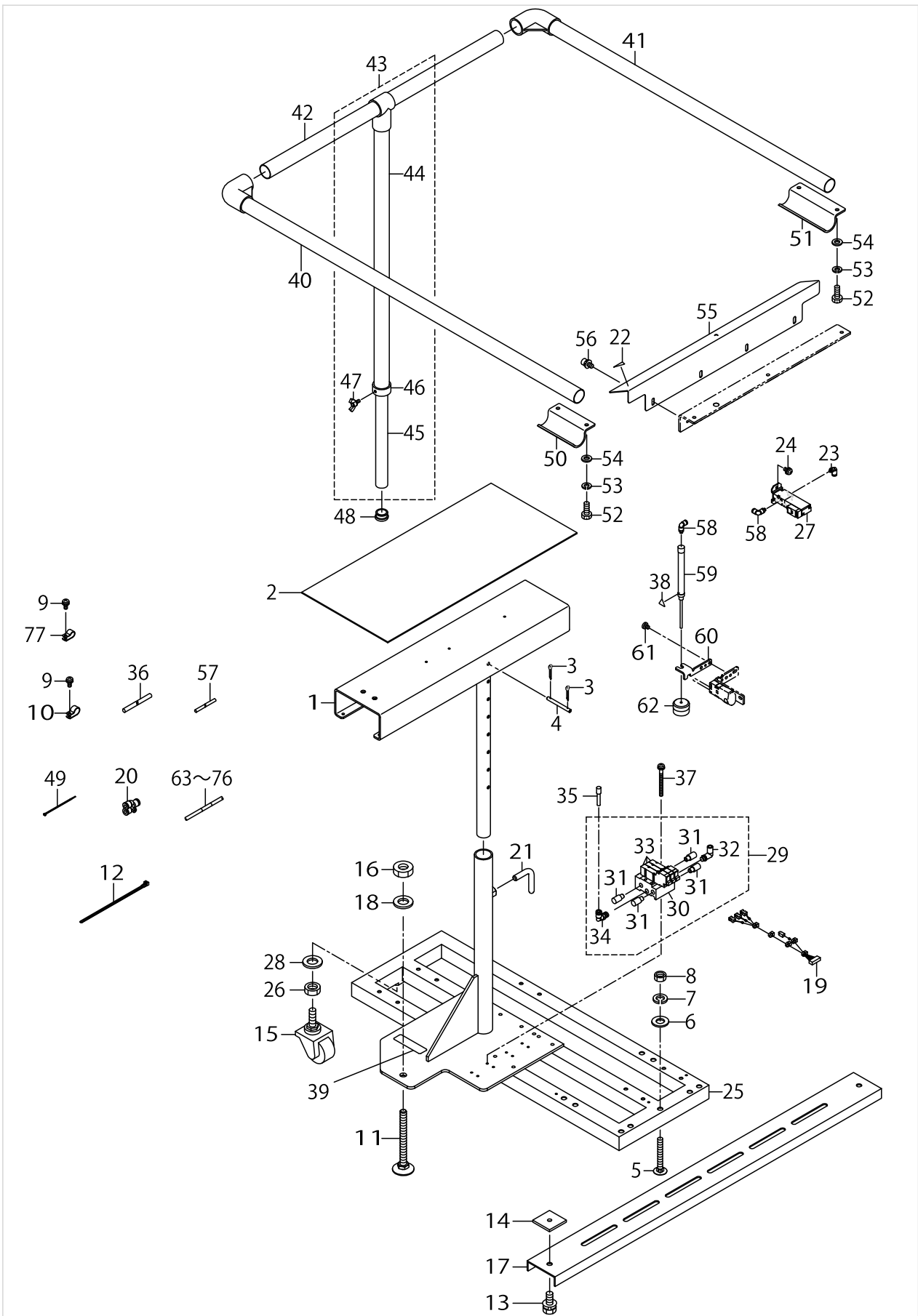
BOBBIN THREAD REMAINING AMOUNT DETECTING COMPONENTS



BOBBIN THREAD REMAINING AMOUNT DETECTING COMPONENTS

No.	Supply Code	Parts No.	Replacement	Parts name	Remarks	Choice	Step	Level	Cons	Qty	Rep. QTY
47	D	GAE030120A0		SOLENOID ARM ASM.				*		1	
48		SD0790204SP		HINGE SCREW D= 7.94 H= 2				*		1	
49	D	GAE040140A0		DRIVING LINK ASM.				*		1	
50		MAO91003000		BSW PRESSER PLATE WASHER				*		1	
51		NS6110420SP		NUT 11/64-40				*		1	
52		40090489		PROXIMITY SENSOR ASSY				*		1	
53		HD00286000A		PROXIMITY SENSOR				*		1	
54		HK016540000		RECEPTABLE CONTACT				*		3	
55		40090488		PROXIMITY SENSOR ASSY				*		1	
56		HD002860000		PROXIMITY SENSOR				*		1	
57		HK016540000		RECEPTABLE CONTACT				*		3	
58		40091147		SENSOR BRACKET				*		1	
59		40084059		LOWER THREAD SE- NSOR CORD ASSY				*		1	
60		HK016510060		CONNECTOR HOUSING				*		1	

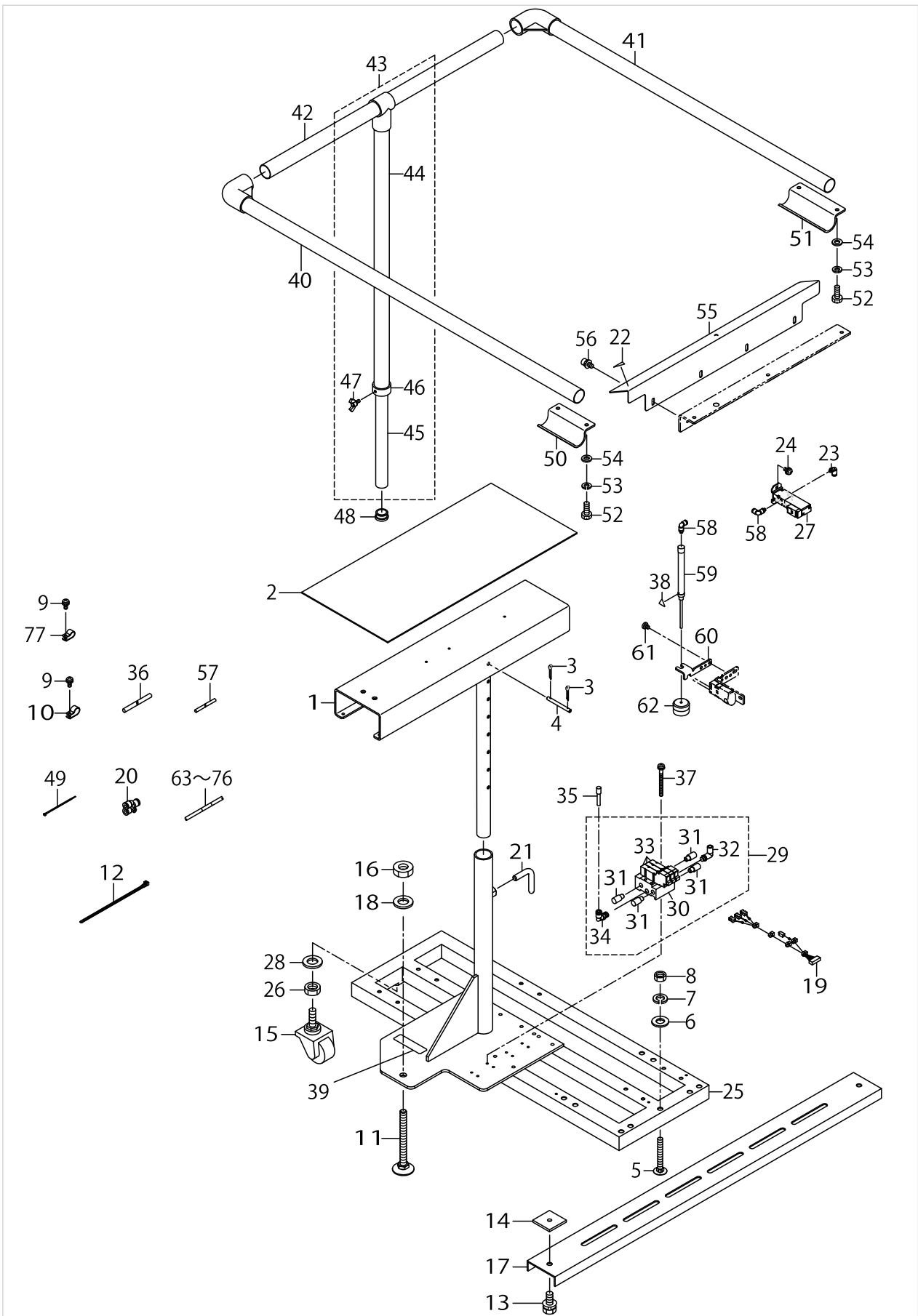
STACKER COMPONENTS (1)



STACKER COMPONENTS (1)

No.	Supply Code	Parts No.	Replacement	Parts name	Remarks	Choice	Step	Level	Cons	Qty	Rep. QTY
1		40088232		SUPPORT_BASE						1	
2		GSS31121N00		SUPPORT BASE RUBBER						1	
3		PD02010000B		SPLIT PIN						2	
4		GST20004000		STOPPER PIN						1	
5		MAS10704000		BOLT						3	
6		WP1052001SC		WASHER 10,5X21X2						3	
7		WS1020002KN		SPRING WASHER M10						3	
8		NS6240630SP		NUT 3/8-18						3	
9		SL4041091SC		SCREW M4 L=10						2	
10		HX00150000F		CABLE CLIP						1	
11		B8103WP3000A		ADJUSTING SCREW						1	
12		HX002920000		BAND						1	
13		SL9082091SE		WASHER HEXAGONAL BOLT						2	
14		17007402		NUT						2	
15		11152204		CASTER, SMALL						1	
16		NM6120003SE		NUT M12						1	
17		11158409		STAND SIDE SUPPORT						1	
18		WP1302501SC		WASHER 13X24X2.5						1	
19		40084082		VALVE CORD 2 ASSY						1	
20		PJ308060003		Y UNION						2	
21		GSS31171N00		SETTLE HANDLE						1	
22		CM300200002		CAUTION LABEL(25)						1	
23		PJ304060501		ELBOW						1	
24		SL4040891SC		SCREW M4 L=8						2	
25		40088233		STACKER_BASE						1	
26		NM6120003SE		NUT M12						1	
27		PV130540000		3-PORT SOLENOID VALVE						1	
28		WP1302501SC		WASHER 13X24X2.5						1	
29		40040527		MANIFOLD_VALVE_ASSY						1	
30		PV035161000		MANIFOLD				*		1	
31		PX055104000		SILENCER (PT1/8)				*		4	
32		PJ304065101		ELBOW UNION 6XPT1/8				*		1	
33		PV150104000		5-PORT SOKENOID VALVE				*		3	
34		PJ304045102		ELBOW UNION, C				*		1	
35		PX500014000		PLUG						1	
36		BT0600401EB		TUBE						2	
37		SL4044091SE		SCREW M4 L=40						4	
38		CM300200001		ATTENTION SEAL						1	
39		40093453		COMPLETE_NAME_LABEL_SS52_V						1	
40		40088236		SAFETY_BAR_A_ASM.						1	
41		40088238		SAFETY_BAR_B_ASM.						1	
42		40088240		SAFETY_BAR_C						1	
43		GSS294010A0		SAFETY BAR F ASM.						1	
44		GSS292060A0		SAFETY BAR D ASM.				*		1	
45		GSS29208000		SAFETY BAR E				*		1	
46		GSS29401000		SAFETY FIXING RING				*		1	

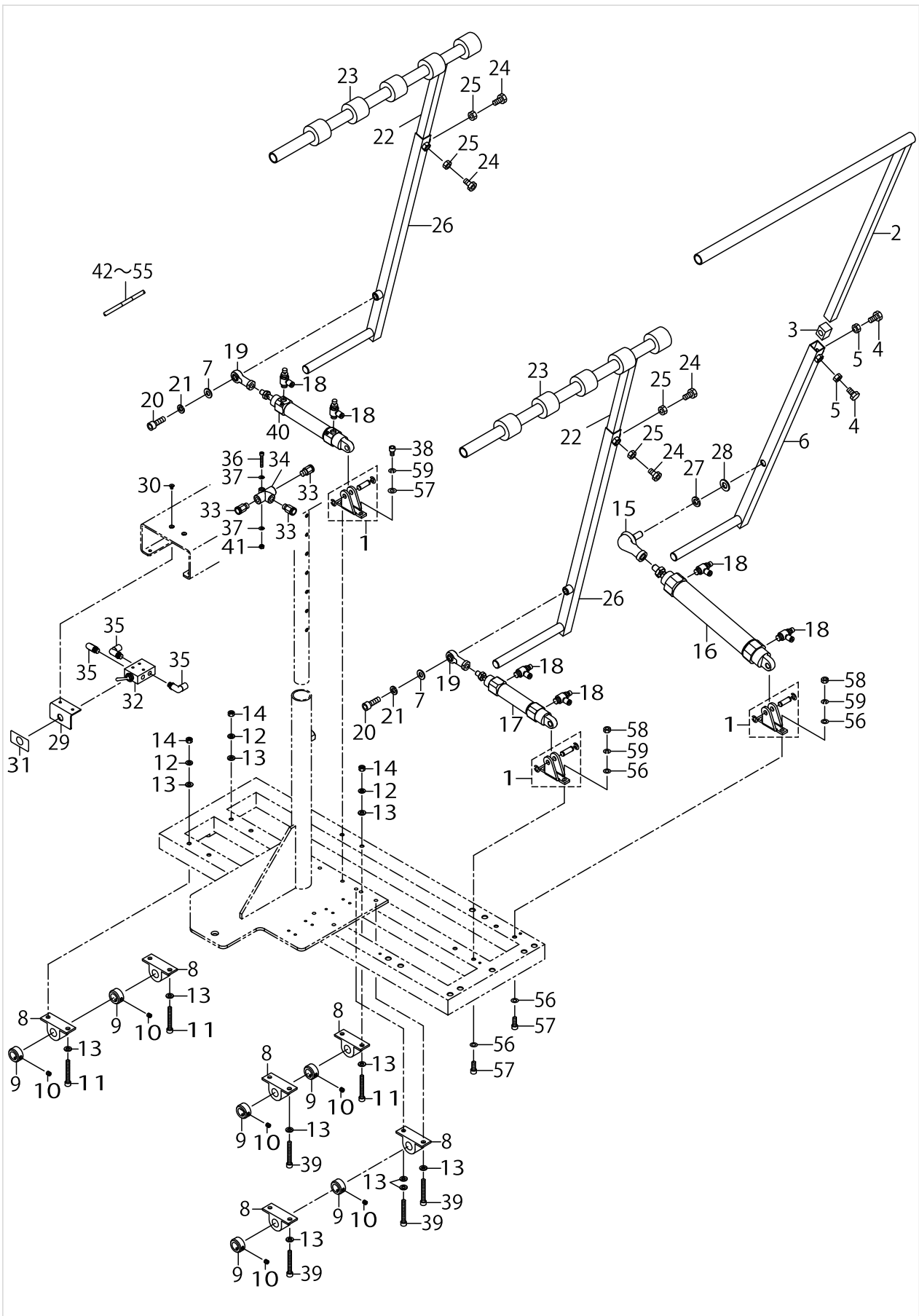
STACKER COMPONENTS (1)



STACKER COMPONENTS (1)

No.	Supply Code	Parts No.	Replacement	Parts name	Remarks	Choice	Step	Level	Cons	Qty	Rep. QTY
47		16137804		WING SCREW				*		1	
48		TA2050805R0		RUBBER PLUG						1	
49		EA9500B0100		CABLE BAND						10	
50		GSS29201000		SAFETY BAR INSTA- LLING PLATE A						1	
51		40088235		SAFETY_BAR_INSTALLING_PLATE						1	
52		SM9061613SC		SCREW M6 L=16						4	
53		WS0610002KN		SPRING WASHER 6.1X12.2X1.5						4	
54		WP0641601SD		WASHER M6						4	
55		40088234		SUPPORT_PLATE						1	
56		SL6051092TN		BOLT						4	
57		BT0400251EB		URETHANE HOSE, BLACK						1	
58		PJ304040504		ELBOW UNION						2	
59		PA1004505A0		CYLINDER						1	
60		40088193		CLOTH_HOLD_PLATE						1	
61		SS7110510SP		SCREW 11/64-40 L=5						2	
62		18072553		THREAD CUTTER SUPPORT ASM.						1	
63		18036707		WIRE MARK (18)						2	
64	D	18036806		WIRE MARK (19)						2	
65		18036905		WIRE MARK (20)						4	
66		18037002		WIRE MARK (21)						4	
67		18037101		WIRE MARK (22)						4	
68		18037200		WIRE MARK (23)						4	
69		18037309		WIRE MARK (24)						4	
70		18037408		WIRE MARK (25)						4	
71		18037507		WIRE MARK 26						4	
72		18037606		WIRE MARK 27						4	
73	D	18038000		WIRE MARK (31)						4	
74		18038109		WIRE MARK (32)						4	
75		18038208		WIRE MARK (33)						4	
76	D	18038307		WIRE MARK (34)						4	
77		HX00150000D		CABLE CLIP						1	

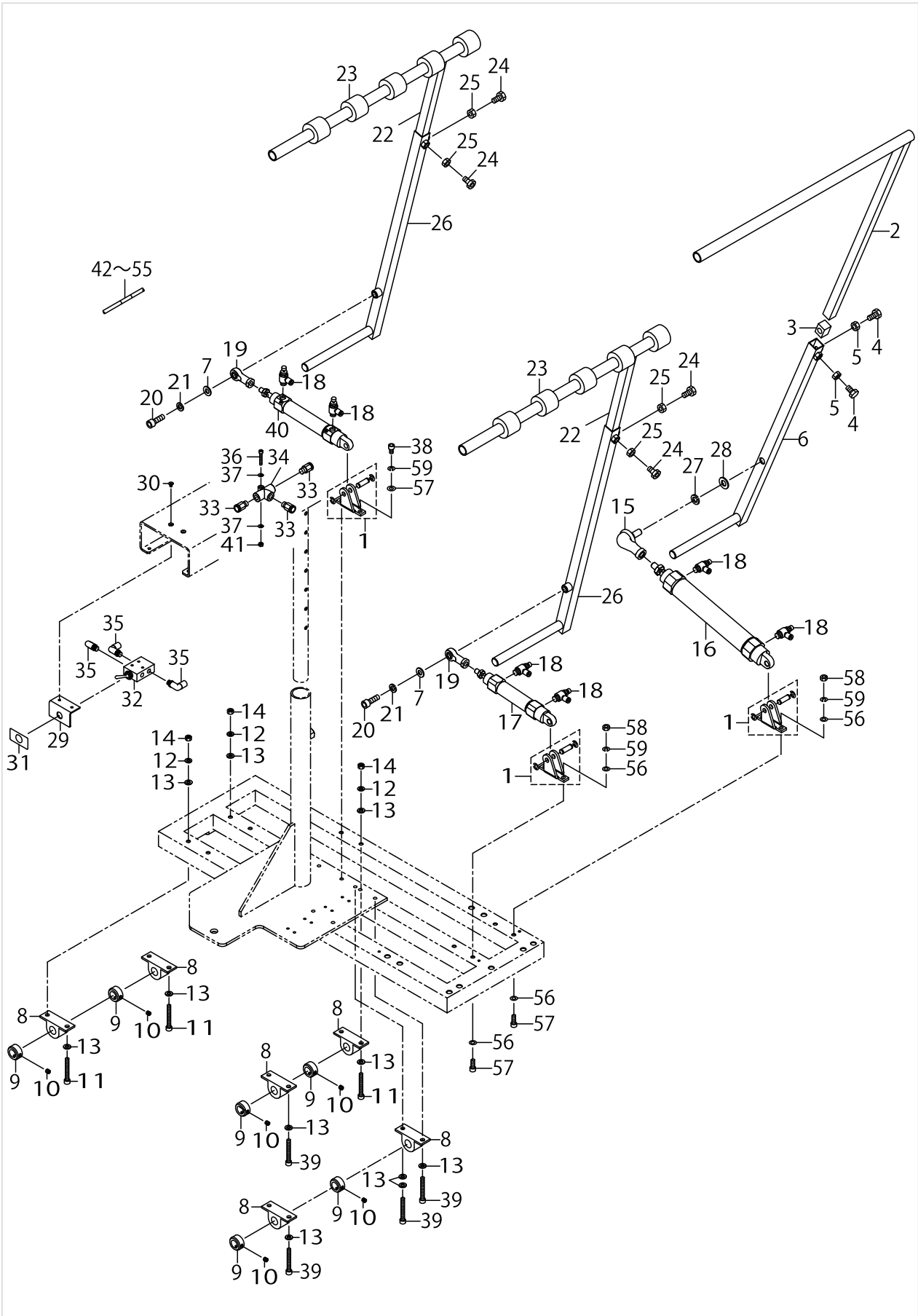
STACKER COMPONENTS (2)



STACKER COMPONENTS (2)

No.	Supply Code	Parts No.	Replacement	Parts name	Remarks	Choice	Step	Level	Cons	Qty	Rep. QTY
1		PA900053000		BRACKET						3	
2	D	GSS29121000		WIPER, UPPER						1	
3		40088242		SLIDE BLOCK						1	
4		SM9081603SC		HEXAGONAL HEAD SCREW						2	
5		NM6080003SC		NUT M8						2	
6	D	GSS29303NA0		CLOTH FEED ASM.						1	
7		WP0841601SC		WASHER 8.4X17.4X1.6						2	
8		16136806		MINI PILLOW UNIT						6	
9		CS1501181TP		THRUST COLLAR D=15 W=11						6	
10		SM8050412TP		SCREW M5 L=4						6	
11		SM6064502TP		SCREW M6 L=45						12	
12		WS0610002KN		SPRING WASHER 6.1X12.2X1.5						6	
13		WP0621016SD		WASHER 6.2X13X1						19	
14		NM6060001SC		NUT M6						6	
15		GSS29125000		LINK BALL						1	
16		PA3215001A0		AIR CYLINDER						1	
17		PA2005018A0		AIR CYLINDER						1	
18		PC015108000		SPEED CONTROLLER						6	
19		16138109		ROD						2	
20		SM6082502TP		SCREW M8 L=25						2	
21		WS0820002KN		SPRING WASHER M8						2	
22		GSS31152N00		PRESSER ARM, UPPER						2	
23		GAS11154000		STACKER RING						10	
24		SM9081603SC		HEXAGONAL HEAD SCREW						4	
25		NM6080003SC		NUT M8						4	
26		GSS29300NA0		PRESSER ARM, LOWER A ASM.						2	
27		WS1020002KN		SPRING WASHER M10						1	
28		WP1052001SC		WASHER 10,5X21X2						1	
29		G7523870000		STACK OPEN SWITCH FITTING PLATE						1	
30		SM1040601SC		SCREW M4X0.7 L=6						2	
31		G5519164000		STACKER OPEN SWITCH LABEL						1	
32		PV015110000		AIR VALVE						1	
33		PJ301045101		HALF UNION						3	
34		PV205101000		SHUTTLE VALVE						1	
35		PJ304045102		ELBOW UNION, C						3	
36		SM6042502TN		SCREW M4X0.7 L=25						1	
37		WP0430801SC		WASHER 4.3X9X0.8						2	
38		SM6061202TP		SCREW M6 L=12						2	
39		SM6064002TP		SCREW M6 L=40						6	
40		PA2007509A0		AIR CYLINDER						1	
41		NM6040001SC		NUT M4						1	
42		18036707		WIRE MARK (18)						2	
43	D	18036806		WIRE MARK (19)						2	
44		18036905		WIRE MARK (20)						4	
45		18037002		WIRE MARK (21)						4	
46		18037101		WIRE MARK (22)						4	

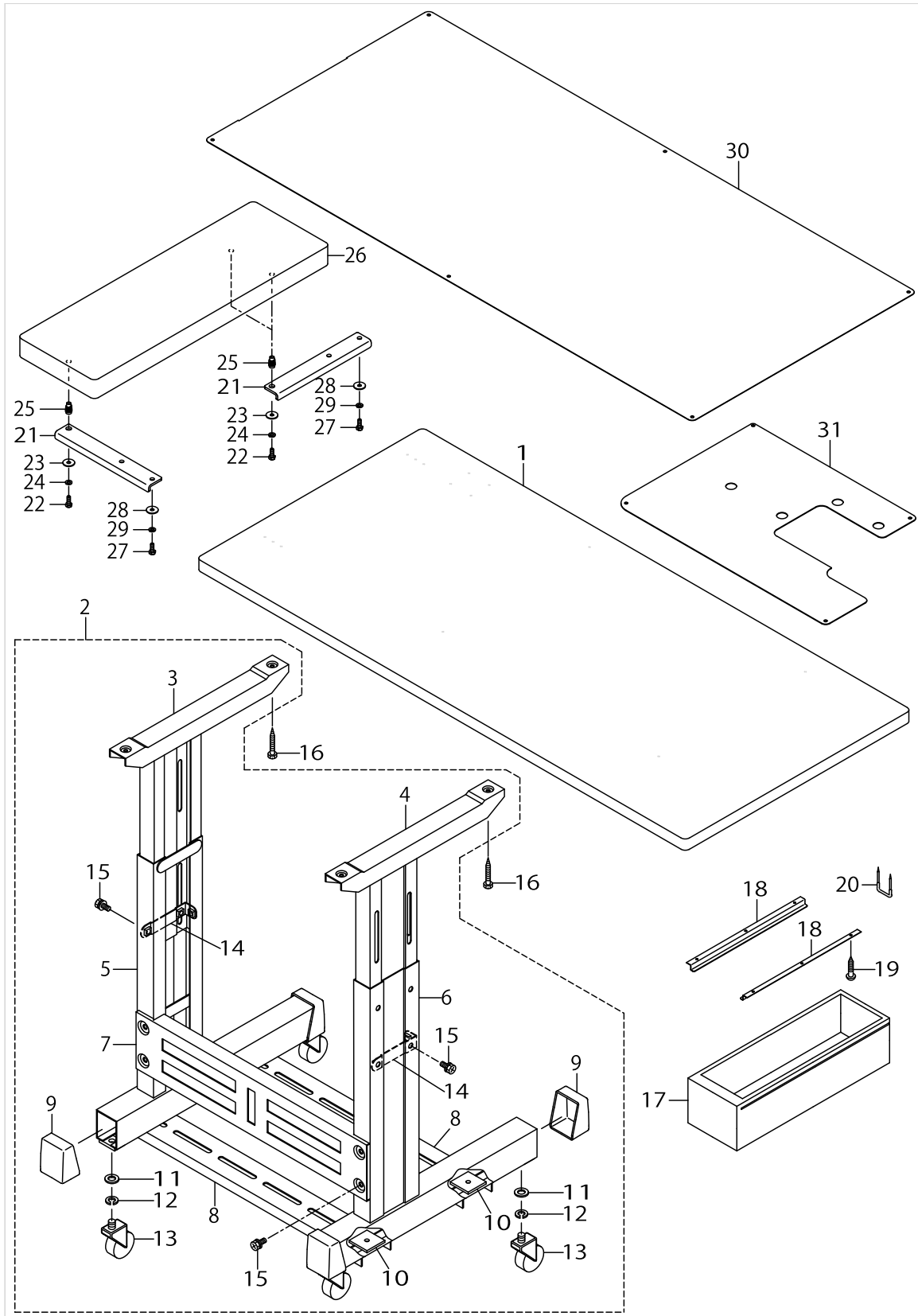
STACKER COMPONENTS (2)



STACKER COMPONENTS (2)

No.	Supply Code	Parts No.	Replacement	Parts name	Remarks	Choice	Step	Level	Cons	Qty	Rep. QTY
47		18037200		WIRE MARK (23)						4	
48		18037309		WIRE MARK (24)						4	
49		18037408		WIRE MARK (25)						4	
50		18037507		WIRE MARK 26						4	
51		18037606		WIRE MARK 27						4	
52	D	18038000		WIRE MARK (31)						4	
53		18038109		WIRE MARK (32)						4	
54		18038208		WIRE MARK (33)						4	
55	D	18038307		WIRE MARK (34)						4	
56		WP0641601SC		WASHER						10	
57		SM6061602TP		SCREW M6 L=16						4	
58		NM6060001SC		NUT M6						4	
59		WS0610002KN		SPRING WASHER 6.1X12.2X1.5						6	

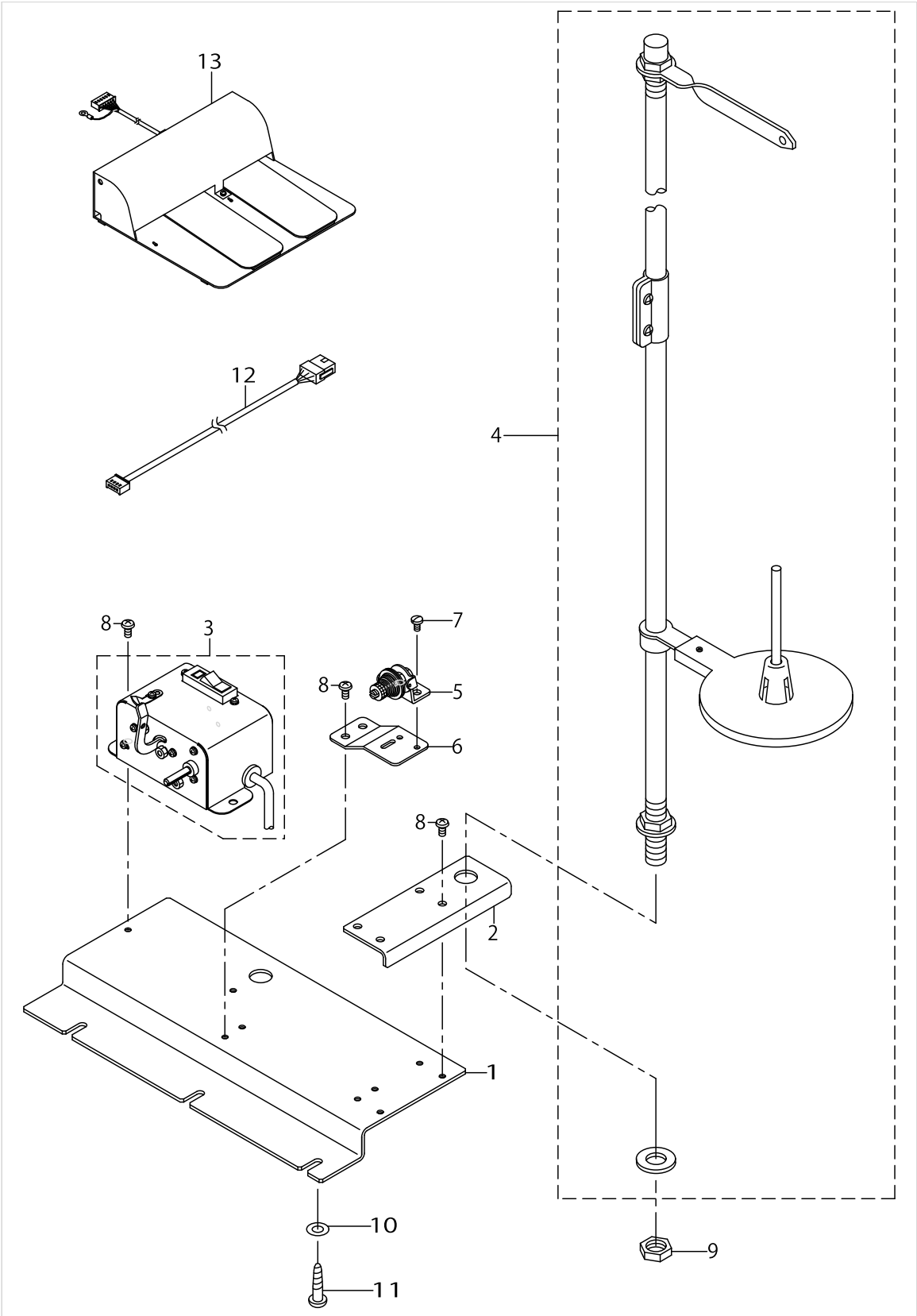
CLOTH TABLE COMPONENTS



CLOTH TABLE COMPONENTS

No.	Supply Code	Parts No.	Replacement	Parts name	Remarks	Choice	Step	Level	Cons	Qty	Rep. QTY
1		40088183		CLOTH_TABLE						1	
2		40082280		T_STAND_ASSY						1	
3		11157666		UPPER STAND ASM., RIGHT				*		1	
4		11157765		UPPER STAND ASM., LEFT				*		1	
5		11157963		LOWER LEG, RIGHT				*		1	
6		11158060		LOWER LEG, LEFT				*		1	
7		D8308205K0A		STAND SIDE SUPPORT				*		1	
8		40082274		STAND_SIDE_SUPPORT_ADD				*		2	
9		11158607		RUBBER CAP				*		4	
10		17007402		NUT				*		4	
11		WP1302501SE		WASHER M12				*		4	
12		WS1253010KN		SPRING WASHER 12.5X21.5X3				*		4	
13		17007204		CASTER				*		4	
14		11158516		UPPERSTANDPLATE				*		2	
15		SL9082091SE		WASHER HEXAGONAL BOLT				*		14	
16		SK3512001SE		WOOD SCREW D=5.1 L=20						4	
17	R	11155108	11155157	DRAWER						1	1.00
18		11155207		DRAWER SUPPORT						2	
19		SK3311601SE		WOOD SCREW D=3.1 L=16						6	
20		D8204555D00		DRAWER STOPPER						1	
21		18073700		CONNECTING PLATE						3	
22		SM9061613SC		SCREW M6 L=16						6	
23		WP0651646SC		WASHER						6	
24		WS0610002KN		SPRING WASHER 6.1X12.2X1.5						6	
25		40075287		INSERT_NUT M6X20						3	
26		40088181		SUB_TABLE						1	
27		SM9061613SC		SCREW M6 L=16						3	
28		WP0651646SC		WASHER						3	
29		WS0610002KN		SPRING WASHER 6.1X12.2X1.5						3	
30		40096909		SUB_TABLE_COVER	OPTIONAL PARTS					1	
31		40096969		TABLE_SLIPPER	OPTIONAL PARTS					1	

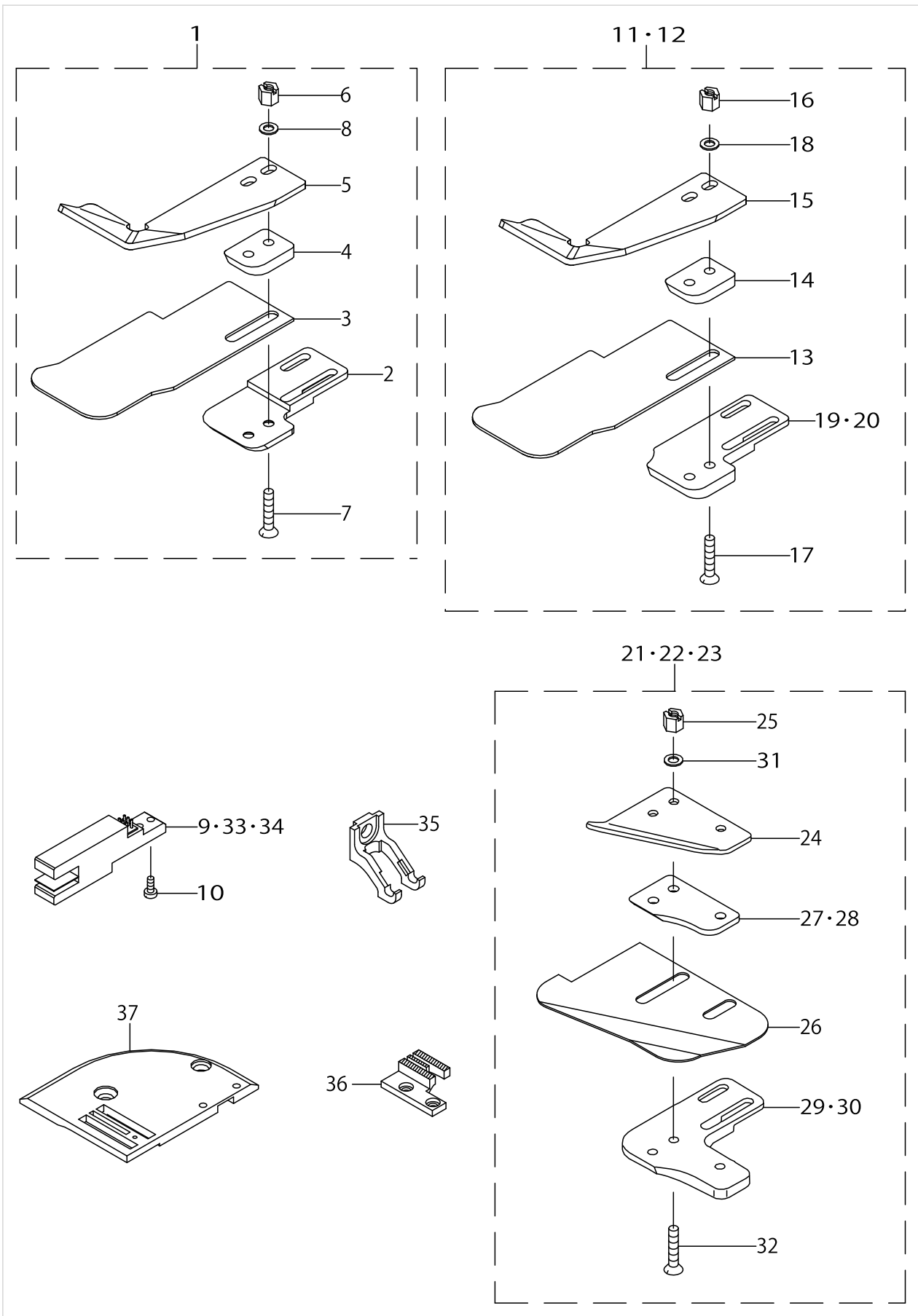
BOBBIN WINDER & PEDAL COMPONENTS



BOBBIN WINDER & PEDAL COMPONENTS

No.	Supply Code	Parts No.	Replacement	Parts name	Remarks	Choice	Step	Level	Cons	Qty	Rep. QTY
1		G5901126000		BOBBIN DEVICE IN- STALLING PLATE						1	
2		G5902126000		THREAD STAND IN- STALLING PLATE						1	
3		G80318750A0		BOBBINWINDERASM.						1	
4		26008359		THREAD STAND ASM.						1	
5		13889951		BOBBIN GUIDE ASM.						1	
6		G3216270000		BOBBIN BASE						1	
7		SS7110840SP		SCREW 11/64-40 L=7.8						2	
8		SM5051001SN		SCREW						8	
9		NM6160511SE		NUT M16X1.5						1	
10		WP0561616SC		WASHER 5.6X16X1.6						3	
11		SK3512001SF		WOOD SCREW						3	
12		40084086		BOBBIN WINDER CORD ASSY						1	
13		40084064		PEDAL SWITCH ASM						1	

CLOTH GUIDE & SENSOR COMPONENTS



CLOTH GUIDE & SENSOR COMPONENTS

No.	Supply Code	Parts No.	Replacement	Parts name	Remarks	Choice	Step	Level	Cons	Qty	Rep. QTY
1		40088210		CLOTH_GUIDE_ASM_4/2	STANDARD PARTS					1	
2		40088144		CLOTH_GUIDE_MOUN- TING_BASE_(2MM)				*		1	
3		18069500		CLOTH GUIDE SEP- ARATING PLATE				*		1	
4		18051607		SEPARATINGGUIDEA				*		1	
5		18052100		SEPARATINGGUIDEB				*		1	
6		NM5030550SE		NUT M3X0.5				*		2	
7		SM1031601SC		SCREW M3X0.5 L=16				*		2	
8		WP03305000E		WASHER 3.3X6X0.5				*		2	
9		40084100		EDGE SENSOR 4/2						1	
10		SS6060510TP		SCREW 3/32-56 L=4.5	STANDARD PARTS					2	
11		40088212		CLOTH_GUIDE_ASM_4/4	TYPE 4/4					1	
12		40088211		CLOTH_GUIDE_ASM_2/2	TYPE 2/2					1	
13		18069500		CLOTH GUIDE SEP- ARATING PLATE				*		1	
14		18051607		SEPARATINGGUIDEA				*		1	
15		18052100		SEPARATINGGUIDEB				*		1	
16		NM5030550SE		NUT M3X0.5				*		2	
17		SM1031601SC		SCREW M3X0.5 L=16				*		2	
18		WP03305000E		WASHER 3.3X6X0.5				*		2	
19		40088145		CLOTH_GUIDE_MOUN- TING_BASE_(4MM)	TYPE 4/4			*		1	
20		40088144		CLOTH_GUIDE_MOUN- TING_BASE_(2MM)	TYPE 2/2			*		1	
21		18076059		GUIDE ASM.	TYPE 2/2					1	
22		18076257		GUIDE ASM.	TYPE 4/4					1	
23		18076356		GUIDE ASM.	TYPE 4/2					1	
24		18066902		GUIDE D				*		1	
25		NM5030550SE		NUT M3X0.5				*		2	
26		18076109		SEPARATION PLATE E				*		1	
27		18076000		SEPARATIONGUIDEE	TYPE 2/2			*		1	
28		18066704		SEPARATIONGUIDED	TYPE 4/4,4/2			*		1	
29		18066506		GUIDE BASE E	TYPE 2/2,4/2			*		1	
30		18066605		GUIDE BASE D	TYPE 4/4			*		1	
31		WP03305000E		WASHER 3.3X6X0.5				*		2	
32		SM1031401SE		SCREW M3X0.5 L=14				*		2	
33		40084101		EDGE SENSOR 4/4	TYPE 4/4					1	
34		40084102		EDGE SENSOR 2/2	TYPE 2/2					1	
35		40088215		UPPER_FEED_PRES- SER(URETHANE)						1	
36		22881700		FEED DOG A						1	
37		40098871		THROAT_PLATE_A(THIN_USE)						1	

LIST FOR INFORMATION OF CHANGE

As to the place changed, refer to the corresponding Rev.No.
 When previous parts(Obsoleted part)and new parts(Added parts)are
 not interchangeable with each other:
 In this case,even obsoleted parts(D.)can be ordered with the
 obsoleted part number,so select the parts with changed dates and
 place your orders.

変更箇所は、該当Rev.No.版をご参照ください。
 部品の互換性がない変更の場合は、削除された品番でも、ご注文できます。

40088253
 No.1527-01 Rev.No.

*A:Added parts追加部品/D:Obsoleted parts削除部品/E:Erratum訂正

* Rev. No.	Page 頁	Ref. No.	Parts No. 品番	* Rev. No.	Page 頁	Ref. No.	Parts No. 品番
D 00	2	19	400-88255	A 01	2	19	400-98821
D 00	2	46	228-81502	A 01	2	46	400-98870
D 00	2	61	SS-8150710-SP	A 01	2	61	SS-8150822-TP
D 00	2	82	400-88025	A 01	2	82	400-98869
D 00	20	15	HX-0015000-0F	A 01	20	15	HX-0015000-0C
D 00	20	35	SM-6040802-TN	A 01	20	35	SM-6040802-TP
D 00	20	62	CM-5001000-01	A 01	20	62	400-94560
E 00	20	64	SS-6123010-SP	A 01	20	64	SS-6110610-TP
E 00	20	66	SS-4121215-SP	A 01	20	66	SS-6123010-SP
				A 01	20	75	HX-0031400-0A
D 00	26	37	400-88156	A 01	26	37	400-96523
D 00	26	39	180-75655				
				A 01	26	39	400-98291
D 00	26	78	180-51003	A 01	26	78	400-96947
				A 01	26	96	SM-6040602-TN
				A 01	26	97	400-96948
				A 01	26	98	SM-1041400-SP
				A 01	26	99	NM-6040001-SP
				A 01	26	100	400-96946
				A 01	30	26	400-28877
D 00	34	29	400-86466	A 01	34	29	400-91945
				A 01	34	50	SL-4041081-SC
D 00	36	3	400-03441				
D 00	36	6	HG-0074700-00	A 01	36	6	400-77469
D 00	38	4	400-86466	A 01	38	4	400-91945
				A 01	40	53	269-10059
D 00	46	39	400-88241	A 01	46	39	400-93453
				A 01	46	77	HX-0015000-0D
D 00	48	38	SM-6061002-TP	A 01	48	38	SM-6061202-TP
				A 01	50	30	400-96909
				A 01	50	31	400-96969
D 00	54	37	228-81601	A 01	54	37	400-98871

HOW TO MAKE USE OF THIS PARTS LIST

1.Explanation of codes

1)"*"mark.....means this part is changed from the previous parts book.

As to the details of the change, refer to the "List for information of change".

2)"#01".....refer to "Note" explanation at bottom of page.

2.Codes on the "Qty" column

- Each numeral indicates the number of parts required.
- "0.1" and "2.5" indicate the length (in meters) of the respective parts.

3.Parentheses mean that the corresponding part is a subpart that constructs an assembly part.

4.Dotted lines on the Figures indicate assembly parts.

5.As to the parts with marks of "☆"(consumable parts) and "◎"(optional parts)on the respective parts, it is recommended to prepare spares.

1 ."注記"欄の記号説明

1) "*"印.....前回のパーツブックに比較して今回変更された部品を意味します。

変更内容は、"変更情報リスト"を参照してください。

2) "#01".....ページ下の"注記"の説明を参照してください。

2.数量欄の数字は、個数を表し、0.1、2.5等の数値は、長さ（単位メートル）を表します。

3.数量欄の（ ）は、組部品を構成している子部品であることを意味します。

4.イラストページの-----枠は、組構成であることを意味します。

5.リストページの"☆"（消耗部品）、"◎"（オプション部品）の印がついた部品は、予備を準備しておくことをお奨めします。

NUMERICAL INDEX OF PARTS

PART NO	PAGE	REF NO.	PART NO	PAGE	REF NO.	PART NO	PAGE	REF NO.
10502300	42	31	11158060	86	6	11210804	22	51
11002409	6	20	11158300	40	5	11210903	22	64
11002508	6	21	11158409	40	6	11211000	20	44
11003308	2	14	11158409	78	17	11211109	24	30
11004207	10	26	11158516	40	9	11214004	20	43
11005204	6	10	11158516	86	14	11214103	20	22
11006350	12	6	11158607	40	7	11214202	20	21
11008604	16	32	11158607	86	9	11214301	20	20
11008703	16	31	11200201	2	32	11214400	20	29
11008703	22	54	11200300	2	35	11214509	20	40
11010311	16	20	11200409	2	36	11214608	20	28
11014008	16	19	11200607	2	10	11214756	20	31
11015906	10	38	11200805	2	37	11214806	20	36
11024700	54	3	11202009	6	3	11214905	20	37
11038650	10	14-41	11202173	6	15	11215019	20	34
11038759	10	19	11202207	6	25	11215118	20	32
11038809	10	32	11202306	6	27	11215258	14	48
11039062	6	5	11203106	10	25	11216009	20	3
11039070	6	4	11204013	14	53	11216157	20	1
11040052	28	5	11204112	12	33	11216306	22	65
11040854	28	45	11204161	12	30	11216405	20	12
11040953	28	44	11204211	12	31	11216504	20	11
11041852	28	30	11204302	12	34	11216603	20	8
11042504	28	14	11204401	12	40	11216652	20	7
11042553	28	13	11204559	12	23	11216702	20	6
11042850	28	19	11204609	12	24	11216751	20	4
11043304	30	57	11205002	12	27	11216801	12	39
11043908	30	53	11205218	12	5	11216801	22	52
11043908	66	50	11205309	12	12	11217114	12	45
11043957	30	49	11205408	12	13	11217213	12	44
11044054	30	64	11205507	14	69	11217353	12	29
11047107	54	4	11206000	16	16	11217601	12	41
11072402	42	29	11206208	16	4	11220001	14	57
11091204	16	22	11206307	16	6	11220100	12	17
11100104	4	69	11206406	16	8	11220209	4	58
11100500	26	49	11206463	16	2	11220308	14	56
11101300	32	2	11210002	22	69	11221504	34	32
11101508	32	3	11210051	22	68	11221603	34	12
11141355	10	14-41	11210119	20	14	11221652	34	7
11152204	78	15	11210200	20	16	11221702	34	11
11155108	86	17	11210325	22	58	11221801	34	10
11155207	86	18	11210408	22	61	11221900	34	14
11157666	86	3	11210507	22	60	11222007	34	5
11157765	86	4	11210614	22	63	11227600	32	10
11157963	86	5	11210705	22	50	11228400	32	14

NUMERICAL INDEX OF PARTS

PART NO	PAGE	REF NO.	PART NO	PAGE	REF NO.	PART NO	PAGE	REF NO.
11228459	32	8	11281458	24	20	18035907	56	26~43
11228459	66	51	11281458	66	49	18036004	56	26~43
11230117	14	52	11281557	24	26	18036103	56	26~43
11230562	14	61	11281557	64	30	18036202	56	26~43
11230802	12	15	11281656	2	1	18036301	56	26~43
11231503	34	35	11281656	66	52	18036400	56	26~43
11232055	28	1	11281755	4	75	18036509	56	26~43
11232105	28	3	11313103	28	7	18036608	56	26~43
11255809	2	9	11331204	10	11	18036707	56	26~43
11257359	4	50	11331402	2	40	18036707	80	63~76
11271004	12	18	11415205	4	20·74	18036707	82	42~55
11271103	12	35	12288403	68	3	18036806	80	63~76
11271202	12	36	12455705	68	9~13	18036806	82	42~55
11271301	12	21	13167903	70	54	18036905	80	63~76
11272051	26	50	13168000	70	55	18036905	82	42~55
11272408	24	45	13168109	70	56	18037002	80	63~76
11272507	26	47	13168208	70	57	18037002	82	42~55
11272614	24	46	13172952	44	22	18037101	80	63~76
11272952	24	16	13870258	64	17	18037101	82	42~55
11273000	24	17	13889407	36	43	18037200	80	63~76
11273158	24	13	13889951	88	5	18037200	84	42~55
11273307	24	12	14113450	42	26	18037309	80	63~76
11273406	16	9	14113468	42	25	18037309	84	42~55
11273505	24	11	16136806	82	8	18037408	80	63~76
11274008	24	29	16137804	80	47	18037408	84	42~55
11274107	24	43	16138109	82	19	18037507	80	63~76
11274206	24	42	16187007	68	30	18037507	84	42~55
11274313	24	18	16193005	68	21·28	18037606	80	63~76
11274503	24	2	16193203	68	21·28	18037606	84	42~55
11274602	24	5	16870206	40	32	18038000	80	63~76
11274701	24	1	17007204	86	13	18038000	84	42~55
11274800	24	37	17007402	40	8	18038109	80	63~76
11274859	24	34	17007402	78	14	18038109	84	42~55
11275005	12	43	17007402	86	10	18038208	80	63~76
11275302	2	24	17008004	40	24	18038208	84	42~55
11275450	2	27	17845009	58	27	18038307	80	63~76
11275609	2	6	18035006	56	26~43	18038307	84	42~55
11275708	2	3	18035105	56	26~43	18050401	16	24
11275807	2	2	18035204	56	26~43	18051607	90	14
11276102	4	72	18035303	56	26~43	18052100	90	15
11278306	36	12	18035402	56	26~43	18052704	46	61
11280252	2	41	18035501	56	26~43	18052704	50	27
11280351	2	28	18035600	56	26~43	18052902	46	51
11280401	24	21	18035709	56	26~43	18052902	50	24
11281300	64	23	18035808	56	26~43	18053355	44	30

NUMERICAL INDEX OF PARTS

PART NO	PAGE	REF NO.	PART NO	PAGE	REF NO.	PART NO	PAGE	REF NO.
18053603	46	85	18076257	90	21·22·23	22920409	14	55
18053801	46	86	18076356	90	21·22·23	22920508	4	48
18053900	46	87	22881304	20	38	22920805	10	8
18054205	44	45	22881403	16	26	22921001	4	49
18054205	52	52	22881700	90	36	22921209	4	56
18054403	46	88	22900609	2	20·74	22921308	4	51
18054601	46	52	22900757	2	34	22921407	4	52
18054601	50	26	22901003	2	44	22921506	4	55
18054700	46	49	22901409	10	1	22921605	4	57
18054700	50	22	22901805	2	18	22921704	4	53
18055004	46	71	22904155	6	23	22921803	4	54
18055103	44	32	22904155	16	45	22923015	34	23
18055202	44	40	22905004	10	24	22923056	34	19
18055509	46	82	22906101	10	2	22923205	34	29
18056101	46	75	22906200	10	9	22923312	34	20
18056408	44	28	22906457	10	5	22923403	34	27
18056804	46	46	22907406	12	25	22923502	34	25
18056804	52	53	22907802	12	2	22923601	34	26
18056903	46	54	22908305	12	8	22923700	34	24
18056903	50	28	22908552	12	4	22923809	34	28
18058909	46	47	22908909	12	9	22923908	34	22
18059303	44	42	22910004	6	18	22924500	34	16
18059303	50	21	22910053	6	16	22924609	34	31
18059501	52	55	22910103	6	26	22924906	34	17
18059709	46	90	22910350	18	53	22925002	34	18
18065805	44	43	22910806	16	34	22930309	68	34
18065805	52	50	22910905	16	30	22930358	68	32
18066506	90	29·30	22910905	22	57	22930408	68	35
18066605	90	29·30	22911002	18	50	22930507	68	36
18066704	90	27·28	22911002	22	55	22930556	68	37
18066902	90	24	22911101	16	17	22930705	68	38
18067108	44	35	22911101	20	18	22930804	68	39
18069203	46	73	22911804	16	10	22930903	68	40
18069500	90	13	22912000	16	12	22931000	70	50
18069708	46	74	22912109	16	11	22931109	70	51
18069807	46	72	22912901	18	49	22931307	68	41
18070854	46	84	22913008	16	44	22931406	68	42
18071001	46	89	22915151	18	55	22932107	54	24
18071308	48	92	22915201	18	47	22932156	54	22
18072553	80	62	22916001	10	31	22932206	54	8
18073403	40	23	22916100	10	34	22932800	68	2
18073700	86	21	22916308	10	27	22932909	10	42
18076000	90	27·28	22916555	10	37	22932909	68	8
18076059	90	21·22·23	22919203	6	29	22933006	68	15
18076109	90	26	22919559	6	2	22933105	68	4

NUMERICAL INDEX OF PARTS

PART NO	PAGE	REF NO.	PART NO	PAGE	REF NO.	PART NO	PAGE	REF NO.
22933204	68	5	23631708	38	53	40010535	42	35
22933303	68	17	23631807	38	52	40011143	42	1
22935407	2	45	23631906	38	54	40011144	42	8
22940506	16	13	23638109	36	25	40011145	42	10
22940654	16	39	23638208	36	27	40011146	42	11
22940803	16	37	23638406	36	28	40012038	60	41
22940951	16	33	26008359	88	4	40012038	64	8
22941306	16	25	26260109	42	2	40014098	66	57
22942601	10	40	26260208	42	3	40018458	38	55
22944508	14	60	26260307	42	4	40021933	42	12
22944607	14	63	26260406	42	5	40023662	56	3
22945109	14	66	26260505	42	6	40027870	72	35
22945414	4	64	26260604	42	7	40028834	38	74
22945463	4	63	26260802	42	9	40028835	38	69
22945505	4	67	26261206	42	13	40028877	54	26
22945604	4	65	26261305	42	14	40029633	36	29
22945703	4	68	26261503	42	15	40029776	36	23
22945802	4	66	26261602	42	16	40032986	24	9
22947006	34	1	26261701	42	17	40034156	24	7
22947907	28	6	26910059	70	53	40040527	78	29
22948301	28	35	40000029	58	15	40041232	38	51
22948400	28	37	40000029	64	14	40044823	56	13
22949002	28	43	40000046	58	17·18	40050265	6	35
22949101	28	40	40000046	64	6·7	40050265	64	11
22949200	28	41	40000056	58	17·18	40055355	58	3
22949309	28	38	40000056	64	6·7	40055357	58	5
22949408	28	29	40003458	60	43	40058397	60	51·52
22949754	28	24	40003462	62	5	40058397	64	1·2
22949762	28	23	40003464	62	7	40058398	60	51·52
22949903	30	50	40005394	58	32	40058398	64	1·2
22950000	28	26	40005394	64	9	40062684	70	48
22950109	28	31	40005401	58	22	40075287	40	15
22950356	28	15	40005401	64	10	40075287	86	25
22950703	28	25	40006496	36	24	40077469	62	6
22950950	28	21	40006497	36	26	40078218	20	15
22951008	30	60	40006617	44	8	40080424	16	15
22951404	30	54	40006625	44	10	40082274	86	8
22956809	38	63	40010395	16	29	40082280	86	2
22958052	40	27	40010477	44	11	40082736	58	34
22958300	68	7	40010487	44	15	40082736	64	16
22962203	16	21	40010489	44	21	40084041	58	13
22962500	32	5	40010490	44	14	40084041	66	40
22962609	32	7	40010498	44	20	40084058	60	53
22962708	28	11	40010533	42	33	40084059	64	22
22962807	14	64	40010534	42	34	40084059	76	59

NUMERICAL INDEX OF PARTS

PART NO	PAGE	REF NO.	PART NO	PAGE	REF NO.	PART NO	PAGE	REF NO.
40084061	38	73	40084101	64	33~36	40088164	50	19
40084061	64	18	40084101	90	9·33·34	40088165	50	40
40084064	64	25	40084102	64	33~36	40088166	40	1
40084064	88	13	40084102	90	9·33·34	40088167	40	2
40084066	56	9	40084103	66	33~36	40088168	40	14
40084066	66	54	40084103	72	2	40088169	40	18
40084067	46	62	40088019	36	42	40088170	40	21
40084067	66	37	40088020	38	47	40088171	40	26
40084069	66	42	40088021	38	50	40088172	40	3
40084070	66	41	40088022	36	1	40088174	36	36
40084071	66	44	40088023	36	3	40088175	72	19
40084073	66	56	40088024	36	5	40088181	86	26
40084074	64	28	40088026	36	33	40088182	40	28
40084075	36	45	40088029	38	71	40088183	86	1
40084075	64	29	40088031	42	38	40088184	68	27
40084076	64	31	40088032	42	40	40088188	56	25
40084077	66	43	40088033	6	42	40088189	68	24
40084079	58	30	40088138	8	46	40088190	54	2
40084079	64	4·5	40088139	8	48	40088193	80	60
40084080	64	24	40088140	8	49	40088194	72	5~8
40084081	64	27	40088141	8	52	40088195	72	5~8
40084082	66	55	40088142	8	54	40088196	72	5~8
40084082	78	19	40088143	8	55	40088197	72	5~8
40084083	64	13	40088144	90	19·20	40088198	72	9
40084084	64	12	40088145	90	19·20	40088199	72	11
40084085	66	38	40088146	46	64	40088200	72	15
40084086	64	19	40088147	44	2	40088201	72	17
40084086	88	12	40088148	44	3	40088202	72	21
40084091	66	53	40088149	44	6	40088203	72	34
40084091	74	42	40088150	44	13	40088204	50	9
40084092	62	2	40088151	44	18	40088205	38	58
40084093	62	4	40088152	44	19	40088207	38	48
40084094	58	4	40088153	44	24	40088208	56	1
40084095	62	1	40088153	50	17	40088208	64	26
40084095	66	58	40088154	44	26	40088209	50	4
40084096	58	1·2	40088155	46	70	40088210	90	1
40084097	58	1·2	40088157	46	63	40088211	90	11·12
40084098	44	1	40088157	50	38	40088212	90	11·12
40084098	50	1	40088158	50	7	40088213	42	36
40084098	66	48	40088159	50	10	40088215	90	35
40084099	46	50	40088160	50	15	40088216	72	16
40084099	50	23	40088161	50	35	40088221	50	41
40084099	66	47	40088162	46	67	40088225	74	9
40084100	64	33~36	40088162	50	37	40088226	74	7
40084100	90	9·33·34	40088163	50	2	40088228	74	10

NUMERICAL INDEX OF PARTS

PART NO	PAGE	REF NO.	PART NO	PAGE	REF NO.	PART NO	PAGE	REF NO.
40088229	74	11	B1144210000	36	6	BT0400251EB	80	57
40088232	78	1	B1157781000	74	43	BT0600401EB	56	17
40088233	78	25	B1161227000	46	66	BT0600401EB	78	36
40088234	80	55	B1191490000	68	20	BT0600402EA	34	3
40088235	80	51	B1211980000	24	22	CM200100001	60	44
40088236	78	40	B1213552000A	6	30	CM300100003	60	45-46
40088238	78	41	B1215552000	6	32	CM300100401	60	45-46
40088240	78	42	B1226552000	6	28	CM300200001	4	76
40088242	82	3	B1242980000	24	24	CM300200001	36	41
40088257	12	46	B13050120A0	10	15	CM300200001	42	42
40088632	38	68	B13061550A0	10	17	CM300200001	78	38
40088641	68	1	B13071550A0	10	20	CM300200002	36	40
40088651	54	1	B13081550A0	10	22	CM300200002	52	58
40089401	18	61	B1401522A00A	10	3-4	CM300200002	78	22
40090415	74	19	B1401522B00A	10	3-4	CM300400601	60	47-48
40090416	74	32	B1408552000	6	11	CM300400701	60	47-48
40090417	74	26	B1414555000	10	7	CM301300001	4	78
40090418	74	27	B1521555000	12	1	CM600100101	4	80
40090419	74	25	B1564777000	72	1	CM600100101	36	39
40090488	64	20	B1609804B00	20	2	CM600100101	60	49
40090488	76	55	B1641490000	24	23	CM600100101	62	11
40090489	64	21	B1644490000	24	27	CQ202000000	18	64
40090489	76	52	B1704470000	18	62	CQ252000000	34	15
40090869	2	11	B1705470000	18	57	CS0640611SP	12	19
40090869	66	39	B170647000B	16	1	CS0790731SH	10	35
40091087	66	59	B1715481000	18	59	CS0791016SH	10	29
40091087	74	8	B1808552000	10	39	CS0800816SH	50	46
40091147	76	58	B1903552000	6	12	CS080081ASH	50	45
40091271	58	33	B1905541A00	6	6~9	CS080081CSH	46	68
40091271	64	15	B1905541B00	6	6~9	CS120101BSH	22	45
40091945	58	29	B1905541C00	6	6~9	CS1501181TP	82	9
40091945	64	4-5	B1905541D00	6	6~9	D2406555D0H	28	10
40093453	78	39	B3016450000A	20	41	D2464555B00	32	16
40094560	38	62	B3118552C00	4	62	D2468555B00	32	13
40096523	44	37	B3126012000	42	27	D2611555B00A	24	38
40096909	86	30	B3404122000	34	8	D7133555B00	42	28
40096946	48	100	B3536122000	34	9	D8204555D00	86	20
40096947	46	78	B412352200B	22	67	D8308205K0A	86	7
40096948	48	97	B8103WP3000A	78	11	E9567319000	60	40
40096969	86	31	B8105210AAA	40	4	E9608603000	48	95
40098291	44	39	B8150210000	40	11	E9608603000	56	11
40098821	2	19	B8228125000	68	14	E9609603000	56	18
40098869	4	82	B9101490000	68	6	EA9500B0100	30	61
40098870	2	46	B9140372000	68	9~13	EA9500B0100	36	19-61
40098871	90	37	B9141372000	68	9~13	EA9500B0100	38	19-61

NUMERICAL INDEX OF PARTS

PART NO	PAGE	REF NO.	PART NO	PAGE	REF NO.	PART NO	PAGE	REF NO.
EA9500B0100	44	23	GSS292060A0	78	44	HX005110000	60	37·38
EA9500B0100	56	22	GSS29208000	78	45	J106600000B	68	9~13
EA9500B0100	74	6	GSS29300NA0	82	26	KX000000330	60	39
EA9500B0100	80	49	GSS29303NA0	82	6	M1011580000	62	10
EA9500B0200	36	20·67	GSS29401000	78	46	M1031580000	62	9
EA9500B0200	38	20·67	GSS294010A0	78	43	M10315800A0	62	8
EA9500B0200	56	24	GSS31121N00	78	2	M1032580000	62	12
G3216270000	88	6	GSS31152N00	82	22	M300451100A	60	54
G5080397000	40	16	GSS31171N00	78	21	M3801476000	58	8
G5519164000	82	31	GSS36020000	56	16	M4206461000	58	12
G5901126000	88	1	GST20004000	78	4	MAO11532000	60	58
G5902126000	88	2	HA005820000	40	31	MAO91003000	76	50
G7523870000	82	29	HA005820000	64	3	MAS05507000	72	4
G80318750A0	88	3	HD000570000	24	36	MAS059010A0	72	10
GAE030120A0	76	47	HD000570000	64	32	MAS05905000	72	12
GAE03018000	74	45	HD002860000	76	56	MAS05910000	72	13
GAE03020000	74	17	HD00286000A	76	53	MAS05926000	72	14
GAE03021000	74	14	HF00130315S	60	55~57	MAS10704000	78	5
GAE03022000	74	16	HF0013050P0	60	55~57	MAS15505000	72	18
GAE03023000	74	12	HF003000200	60	55~57	MAS15507000	72	20
GAE03025000	74	15	HK016510060	76	60	MAT81163T00	56	15
GAE03028000	74	22	HK016540000	76	57	MC200500750	10	12·13
GAE03032000	74	31	HK016590060	38	56	MC200500752	68	18·19
GAE03040000	74	3	HK034610140	28	46	MDB100B1100	10	12·13
GAE03041000	74	2	HK03464000B	30	65	MDB100B1102	68	18·19
GAE03042000	74	5	HK03464000B	32	15	MDFRX1600C0	68	16
GAE030450A0	74	4	HM000480010	58	23	MTSHJ100003	60	60
GAE040140A0	76	49	HX00065000A	36	21	NM3040520SC	58	25
GAE04019000	74	21	HX000930000	48	94	NM5030550SE	90	25
GAE04027000	74	20	HX00150000C	36	15	NM6030001SC	46	59
GAE04029000	74	23	HX00150000D	36	32	NM6030001SC	50	30
GAE04038000	74	40	HX00150000D	50	44	NM6040000SN	30	56
GAE04039000	74	39	HX00150000D	80	77	NM6040001SC	82	41
GAK300010B0	54	18	HX00150000F	78	10	NM6040001SD	20	5
GAK30005000	54	21	HX00150000M	36	14	NM6040001SP	6	41
GAK39005000	54	16	HX001890000	74	35	NM6040001SP	48	99
GAK39007000	54	13	HX00223000A	46	77	NM6040001SP	72	25
GAK53001000	54	15	HX00285000A	74	38	NM6040002SE	70	62
GAK53002000	54	12	HX002920000	78	12	NM6040003SC	44	17
GAS11154000	82	23	HX00314000A	38	22·75	NM6050001SE	70	52
GCT02906000	68	9~13	HX00314000B	36	22·75	NM6050001SP	6	39
GET04102000	72	3	HX00326000K	58	35	NM6050003SC	72	22
GSS29121000	82	2	HX003390000	58	20	NM6060001SC	82	58
GSS29125000	82	15	HX004070000	58	26	NM6060001SC	84	58
GSS29201000	80	50	HX00410000A	58	31	NM6060001SE	54	23

NUMERICAL INDEX OF PARTS

PART NO	PAGE	REF NO.	PART NO	PAGE	REF NO.	PART NO	PAGE	REF NO.
NM6080001SC	52	57	PJ304065101	78	32	RO133170100	4	60
NM6080001SC	58	11	PJ308060003	56	19	RO195240100	34	2
NM6080002SC	60	65	PJ308060003	78	20	SD0400201SD	74	29
NM6080003SC	82	25	PJ308060004	56	23	SD0460703TP	28	2
NM6080721SE	56	4	PJ308065202	56	20	SD0500095TH	28	4
NM6120003SE	40	12	PJ309520001	68	23	SD0550212TP	2	7
NM6120003SE	78	26	PV015110000	82	32	SD0600322SD	12	11
NM6160511SE	68	43	PV035161000	78	30	SD0600361SP	30	62
NM6160511SE	88	9	PV130540000	78	27	SD0630275SP	28	18
NS6110310SP	42	30	PV1351280A0	56	7	SD0640321SP	24	6
NS6110310SP	46	80	PV150104000	78	33	SD0640321SP	46	83
NS6110420SP	32	19	PV205101000	82	34	SD0640451TP	22	53
NS6110420SP	48	93	PX055104000	78	31	SD0640631TP	30	48
NS6110420SP	74	51	PX500014000	78	35	SD0641103TP	46	76
NS6110420SP	76	51	RC0150001KP	16	38	SD0641451SP	28	17
NS6120310SP	20	23	RC0260415KP	14	51	SD0700451TP	32	1
NS6150430SP	28	33	RC0330415KP	20	35	SD0700711TP	32	6
NS6150430SR	54	11	RC0560711KP	42	18	SD0720331SP	12	10
NS6240630SP	78	8	RC1850001KP	6	22	SD0790204SP	76	48
NS6620310SP	14	59	RE0150000K0	74	13	SD0800337TP	72	36
NS6620310SP	20	62	RE0200000K0	74	36	SD0870401SP	24	15
NS6620310SP	22	62	RE0400000K0	12	54	SD1000801SH	18	48
NS6660410SH	30	58	RE0400000K0	14	54	SE4301041SR	34	30
NS6660430SP	30	59	RE0400000K0	28	39	SK3311601SE	86	19
NS6680410SP	18	52	RE0400000K0	32	20	SK3412001SE	36	34
PA1004505A0	80	59	RE0400000K0	42	19	SK3412001SE	52	56
PA2002510A0	54	14	RE0400000K0	54	19	SK3451601SE	68	29
PA2005018A0	82	17	RE0500000K0	12	16	SK3512001SE	60	59
PA2007509A0	82	40	RE0500000K0	16	28	SK3512001SE	68	25
PA3215001A0	82	16	RE0500000K0	28	51	SK3512001SE	86	16
PA900053000	82	1	RE0500000K0	30	51	SK3512001SF	88	11
PB000010000	68	22	RE0500000KP	32	4	SL4020591SC	26	51
PC012601000	56	6	RE0600000K0	28	34	SL4021091SC	36	46
PC015108000	82	18	RE0600000K0	50	36	SL4030681SC	46	60
PD02010000B	78	3	RE0700000K0	20	10	SL4030681SC	50	29
PJ301045101	82	33	RE0900000K0	44	9	SL4030681SC	74	41
PJ301060503	40	20	RE1000000K0	54	7	SL4030691SC	52	48
PJ301065201	56	14	RE1200000K0	32	11	SL4030851SF	34	21
PJ303060001	56	21	RO029180100	6	31	SL4031081SF	24	35
PJ304040504	80	58	RO037180100	12	3	SL4040881SC	58	19
PJ304045102	78	34	RO044240100	6	13	SL4040891SC	36	16
PJ304045102	82	35	RO069180100	2	26	SL4040891SC	58	36
PJ304060501	78	23	RO069180100	24	28	SL4040891SC	78	24
PJ304060502	40	19	RO092270200	16	14	SL4041081SC	36	44
PJ304065101	56	12	RO098240100	54	6	SL4041081SC	40	30

NUMERICAL INDEX OF PARTS

PART NO	PAGE	REF NO.	PART NO	PAGE	REF NO.	PART NO	PAGE	REF NO.
SL4041081SC	60	50	SM6040860TP	38	70	SS4080620TP	12	32
SL4041091SC	58	42	SM6041002TP	50	11	SS4080620TP	16	27
SL4041091SC	60	42	SM6041202TN	36	2	SS4080620TP	28	9
SL4041091SC	78	9	SM6041202TP	44	25	SS4080620TP	74	37
SL4043591SC	58	24	SM6041202TP	50	18	SS4090615SP	6	19
SL4044091SE	78	37	SM6041410SC	8	56	SS4090815SP	22	59
SL6031092TN	44	29	SM6042502TN	82	36	SS4110515SP	14	68
SL6041092TN	36	17	SM6061202TP	82	38	SS4110515SP	16	23
SL6041092TN	42	41	SM6061602TP	84	57	SS4110615SP	24	41
SL6041092TN	44	5	SM6061610SC	68	33	SS4110715SP	28	28
SL6041092TN	50	16	SM6064002TP	82	39	SS4110715SP	74	1
SL6051092TN	54	17	SM6064502TP	82	11	SS4110915TP	10	33
SL6051092TN	72	37	SM6082502TP	82	20	SS4110915TP	24	19
SL6051092TN	80	56	SM6084002TN	60	61	SS4120615SP	2	79
SL6053092TN	6	36	SM8030412TP	44	12	SS4120615SP	4	79
SL6083092TN	58	9	SM8040412TP	50	8	SS4120615SP	14	67
SL9082091SE	40	10	SM8040802TP	8	53	SS4120615SP	34	13
SL9082091SE	78	13	SM8040802TP	42	23	SS4120915SP	2	73
SL9082091SE	86	15	SM8050412TP	82	10	SS4120915SP	4	73
SM0050801SC	42	24	SM8050502TP	42	22	SS4120915SP	10	28
SM0850801SC	74	34	SM8050612TP	8	51	SS4120915SP	24	10
SM1031401SE	90	32	SM8050612TP	42	39	SS4120915SP	36	37
SM1031601SC	90	17	SM8060612TP	8	50	SS4121415SP	2	31
SM1032001SC	46	56	SM8063012TR	54	25	SS4121415SP	6	43
SM1032001SC	50	33	SM9043553TN	6	40	SS4150715SP	36	13
SM1040601SC	82	30	SM9061613SC	80	52	SS4150915SP	30	47
SM1041400SP	48	98	SM9061613SC	86	27	SS4150915SP	32	17
SM1051601SC	40	22	SM9061853SR	54	9	SS4150915SP	34	33
SM4020600SP	44	34	SM9081603SC	82	24	SS4151215SP	30	63
SM4021201SC	36	30	SM9081620SE	56	5	SS5060410SP	44	36
SM4030601SN	42	32	SM9088013SE	50	34	SS5090420SP	72	27
SM4030601SN	72	23	SQ1150501SD	34	6	SS6060510TP	90	10
SM4041001SC	70	58	SS1080510SP	18	60	SS6080340SP	34	4
SM4041001SN	56	8	SS1110640TP	46	81	SS6080410SP	2	33
SM4041055SP	72	24	SS1110710SP	2	13	SS6080410SP	44	31
SM4041201SC	70	60	SS1110840SP	52	54	SS6080410SP	74	46
SM4042001SC	70	61	SS1120710SP	2	38	SS6090510SP	28	16
SM4050801SC	56	2	SS2060210SP	28	8	SS6090510TP	18	58
SM4051405SE	70	47	SS2060510SP	44	44	SS6090620TP	16	51
SM5040655SN	42	21	SS2060510SP	52	51	SS6090620TP	18	51
SM5051001SN	88	8	SS2090810SP	12	38	SS6090630TP	20	13
SM6030600SP	44	41	SS2110915SP	4	81	SS6090670TP	10	6
SM6040602TN	48	96	SS2111010TP	72	26	SS6090670TP	16	7
SM6040602TP	44	7	SS3060410SP	74	24	SS6110420TP	10	30
SM6040802TP	36	35	SS4060310SP	4	71	SS6110480SP	12	22

NUMERICAL INDEX OF PARTS

PART NO	PAGE	REF NO.	PART NO	PAGE	REF NO.	PART NO	PAGE	REF NO.
SS6110610TP	2	39	SS7110840SP	88	7	TA1250705R0	50	43
SS6110610TP	20	39	SS7110910TP	12	37	TA1470702R0	2	16
SS6110610TP	38	64	SS7110910TP	38	72	TA1470704R0	2	15
SS6110630TP	46	79	SS7110910TP	44	27	TA1750502R0	24	33
SS6110710TP	30	52	SS7111120TP	18	63	TA2050805R0	80	48
SS6111010TP	34	34	SS7111120TP	72	28	TA2101002R0	2	70
SS6111040SP	2	4	SS7111810TP	72	29	TA2101002R0	4	70
SS6121010SP	2	25	SS7121410SP	24	14	TA2351004R0	4	77
SS6121010SP	24	3	SS7121410TP	16	40	WP0250516SD	44	33
SS6121210SP	18	56	SS7620750SP	24	40	WP0280501SC	74	33
SS6121220TP	14	49	SS7681650TP	6	14	WP0320501SC	46	58
SS6121220TP	16	5	SS7701010SP	36	11	WP0320501SC	50	32
SS6121220TP	20	66	SS8060210TP	46	55	WP0320501SC	72	39
SS6121220TP	22	66	SS8060210TP	52	49	WP03305000E	90	31
SS6121250TP	20	9	SS8090410SP	4	59	WP0430801SC	82	37
SS6121250TP	24	31	SS8110320SP	52	47	WP0450000SD	30	55
SS6121610SP	18	54	SS8110410TP	10	36	WP0450000SD	72	30
SS6121840SP	26	48	SS8110422TP	14	50	WP0450801SC	74	30
SS6121860SP	16	43	SS8110520TP	28	22	WP0450801SD	36	9
SS6123010SP	38	66	SS8110520TP	46	69	WP0450801SD	50	6
SS6660610TP	28	20	SS8110710SP	46	65	WP0450826SC	42	20
SS6661110SP	6	17	SS8110710SP	50	39	WP0450846SP	50	12
SS6700710SH	54	5	SS8120410SP	20	26	WP0460556SD	24	25
SS7060310SP	74	18	SS8120740SP	22	56	WP0480856SP	16	41
SS7060510SP	46	53	SS8150410TP	20	30	WP0480856SP	36	38
SS7060510SP	50	42	SS8150710TP	16	35	WP0480856SP	72	40
SS7060610SP	44	38	SS8150822TP	4	61	WP0501016SD	6	44
SS7060610SP	74	28	SS8151150SP	6	1	WP0502616SD	38	60
SS7080510TP	10	10	SS8660410SP	22	46	WP0531000SC	72	38
SS7090610SP	28	42	SS8660530TP	22	70	WP0531000SD	6	37
SS7090620TP	12	20	SS8660610TP	6	34	WP0550800SP	40	17
SS7090910TP	20	49	SS8660610TP	14	70	WP0561616SC	68	26
SS7090910TP	22	49	SS8660610TP	18	46	WP0561616SC	88	10
SS7110510SP	38	65	SS8660810TP	10	23	WP0612066SP	72	31
SS7110510SP	80	61	SS8681650TP	6	33	WP0612516SD	72	32
SS7110570SP	20	19	SS9151540SR	54	10	WP0621016SD	36	10
SS7110710SP	4	83	SS9660910SP	24	44	WP0621016SD	54	20
SS7110710SP	36	8	ST4031051SN	62	3	WP0621016SD	82	13
SS7110710SP	48	91	ST9053511SR	40	29	WP0621016SH	28	32
SS7110740TP	14	65	ST9053511SR	56	10	WP0641601SC	84	56
SS7110740TP	16	42	TA0750404R0	2	29	WP0641601SD	80	54
SS7110740TP	32	9	TA0850604R0	2	22	WP0650816SP	12	26
SS7110740TP	38	57	TA0850604R0	20	27	WP0650876SD	72	33
SS7110740TP	50	5	TA1250406R0	2	43	WP0651646SC	68	31
SS7110840SP	38	59	TA1250705R0	2	23	WP0651646SC	86	28

NUMERICAL INDEX OF PARTS

PART NO	PAGE	REF NO.
WP0661016SP	12	28
WP0722316SH	32	18
WP0841601SC	58	63
WP0841601SC	60	63
WP0841601SC	82	7
WP0852086SC	60	62
WP1052001SC	78	6
WP1052001SC	82	28
WP1302501SC	78	28
WP1302501SE	86	11
WP1612616SE	68	45
WP1703001SC	32	12
WS0310702KS	46	57
WS0310702KS	50	31
WS0410002KP	50	13
WS0451040KP	34	36
WS0510002KN	70	49
WS0510002KP	6	45
WS0610002KN	80	53
WS0610002KN	82	59
WS0610002KN	84	59
WS0610002KN	86	29
WS0651310KP	34	37
WS0820002KN	82	21
WS0820002KR	60	64
WS1020002KN	78	7
WS1020002KN	82	27
WS1253010KN	86	12
WS1643202KR	68	44