

MODEL : MEB-3200

List No : 1523-09

# PARTS LIST

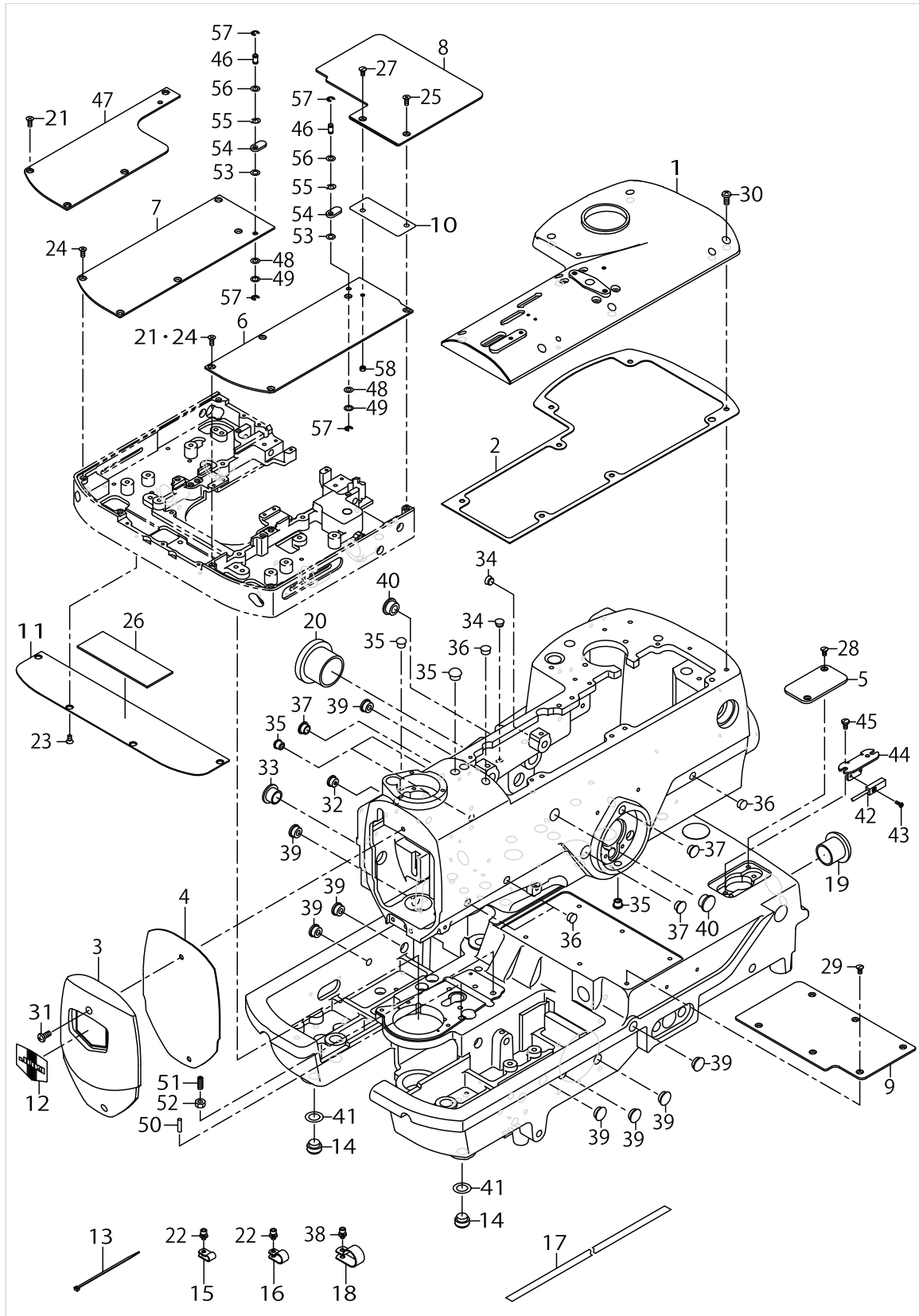
Published:05/12/2017

## CONTENTS

---

FRAME & MISCELLANEOUS COVER COMPONENTS(1).....	1
FRAME & MISCELLANEOUS COVER COMPONENTS(2).....	5
BOTTOM COVER COMPONENTS.....	9
FEED COMPONENTS.....	13
CLOTH OPEN COMPONENTS.....	17
LOWER THREAD CUTTING COMPONENTS (1) (FOR MEB-3200SS, RS).....	21
LOWER THREAD CUTTING COMPONENTS (2) (FOR MEB-3200JS, CS, JA, CA).....	25
LOWER THREAD CUTTING COMPONENTS (3) (FOR MEB-3200TS, TA).....	27
UPPER THREAD CUTTING COMPONENTS.....	29
PRESSER COMPONENTS (1) (FOR MEB-3200SS, JS, CS, TS, JA, CA, TA).....	33
PRESSER COMPONENTS (2) (FOR MEB-3200RS).....	39
REVOLUTION COMPONENTS.....	41
LOOPER DRIVING COMPONENTS.....	43
LOWER SHAFT COMPONENTS.....	49
UPPER SHAFT COMPONENTS.....	51
NEEDLE BAR DRIVING COMPONENTS.....	53
NEEDLE BAR ROCKING COMPONENTS.....	55
NEEDLE BAR COMPONENTS.....	57
THREAD TAKE-UP LEVER & THREAD GUIDE COMPONENTS.....	61
LOWER THREAD HAUL COMPONENTS.....	65
UPPER THREAD HAUL COMPONENTS.....	67
GIMP HAUL COMPONENTS.....	69
CLOTH CUTTING COMPONENTS (1).....	71
CLOTH CUTTING COMPONENTS (2).....	75
AIR COMPONENTS.....	77
LUBRICATION MECHANISM COMPONENTS.....	79
TABLE COMPONENTS.....	81
TRANSMISSION COMPONENTS (1).....	85
TRANSMISSION COMPONENTS (2).....	89
OPERATION BOX COMPONENTS.....	91
WIRING DIAGRAM.....	93
OPTION COMPONENTS(1).....	97
OPTION COMPONENTS(2).....	103
OPTION COMPONENTS(3).....	105
ACCESSORY PARTS COMPONENTS.....	109
HOW TO MAKE USE OF THIS PARTS LIST.....	115

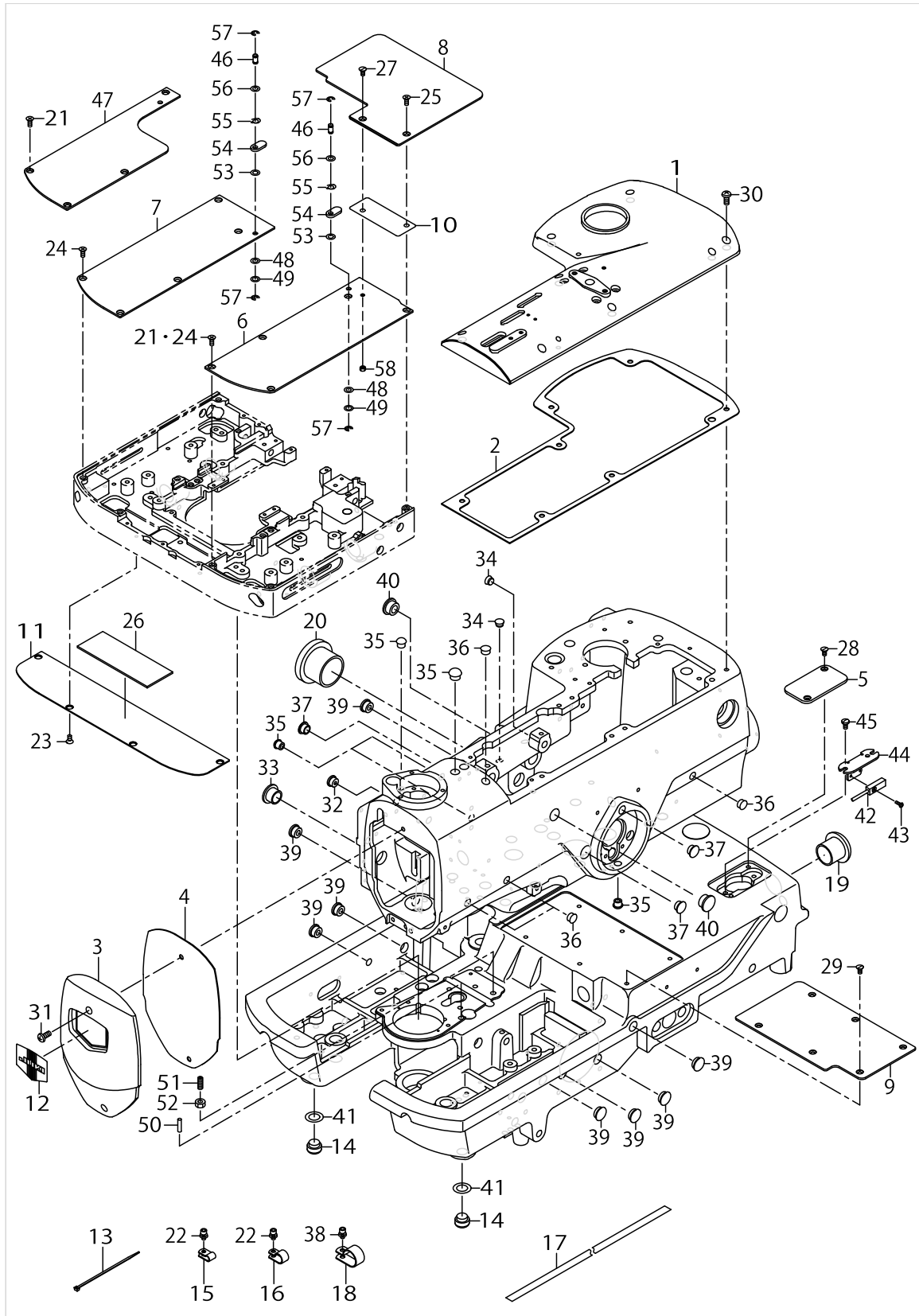
FRAME & MISCELLANEOUS COVER COMPONENTS(1)



FRAME & MISCELLANEOUS COVER COMPONENTS(1)

No.	Supply Code	Parts No.	Replacement	Parts name	Remarks	Choice	Step	Level	Cons	Qty	Rep. QTY
1		32000507		TOP COVER						1	
2		32000606		TOPCOVERPACKING						1	
3		32000705		FACE COVER						1	
4		32000804		FACE COVER PACKING						1	
5		32001000		SENSOR COVER						1	
6	R	32001208	40060558	AUXILIARY COVER RIGHT						1	1.00
7		32001307		AUXILIARY COVER LEFT	EXCEPT M-EB-3200RS					1	
8		32001604		MOVING COVER						1	
9		32001703		MOVING COVER HOLDING PLATE						1	
10		32001802		MOVING COVER SPACER						1	
11		32002107		FEEDER BASE LOWER COVER						1	
12	R	11000403	22902506	PLATE						1	1.00
13		EA9500B0100		CABLE BAND						15	
14		G5314161000		CONVEYOR SUPPORT						2	
15		HX00150000A		CABLE CLAMP						1	
16		HX00150000C		CABLE CLIP						2	
17		40066088		TAPE						.84	
18		HX00150000J		CLIP						1	
19		HX00326000B		BUSH						1	
20		HX00326000F		BUSH						1	
21		SM1041001SN		SCREW M4X0.7 L=10	FOR MEB-3200RS					8	
22		SL6040892TN		BOLT						3	
23		SM1040801SC		SCREW M4X0.7 L=8						4	
24		SM1041001SN		SCREW M4X0.7 L=10	EXCEPT M-EB-3200RS					9	
25		SM1041001SN		SCREW M4X0.7 L=10						1	
26		32002602		FEED BASE LOWER COVER CUSHION						1	
27		SS1110840SP		SCREW 11/64-40 L=8						1	
28		SS1110840SP		SCREW 11/64-40 L=8						2	
29		SS1110840SP		SCREW 11/64-40 L=8						6	
30		SS4121215SP		SCREW 3/16-28 L=12						7	
31		SS4121215SP		SCREW 3/16-28 L=12						2	
32		10622009		CORD BUSH						1	
33		B1150490000		RUBBER PLUG						1	
34		TA0800501R0		PLUG D=8X8.2 L=5						2	
35		TA0850604R0		RUBBER PLUG						5	
36		TA0950806R0		RUBBER PLUG						4	
37		TA1050504R0		RUBBER PLUG						3	
38		SL6041092TN		SCREW						1	
39		TA1250406R0		RUBBER PLUG D=12.5 L=4						8	
40		TA1470704R0		RUBBER PLUG						2	
41		WP1221016SP		WASHER						2	
42		32076853		SENSOR ASM.						1	
43		SM4860801SC		SCREW M2.6 L=8						1	
44		32076903		SENSOR BRACKET						1	
45		SS7110830SP		SCREW 11/64-40 L= 7.5						2	

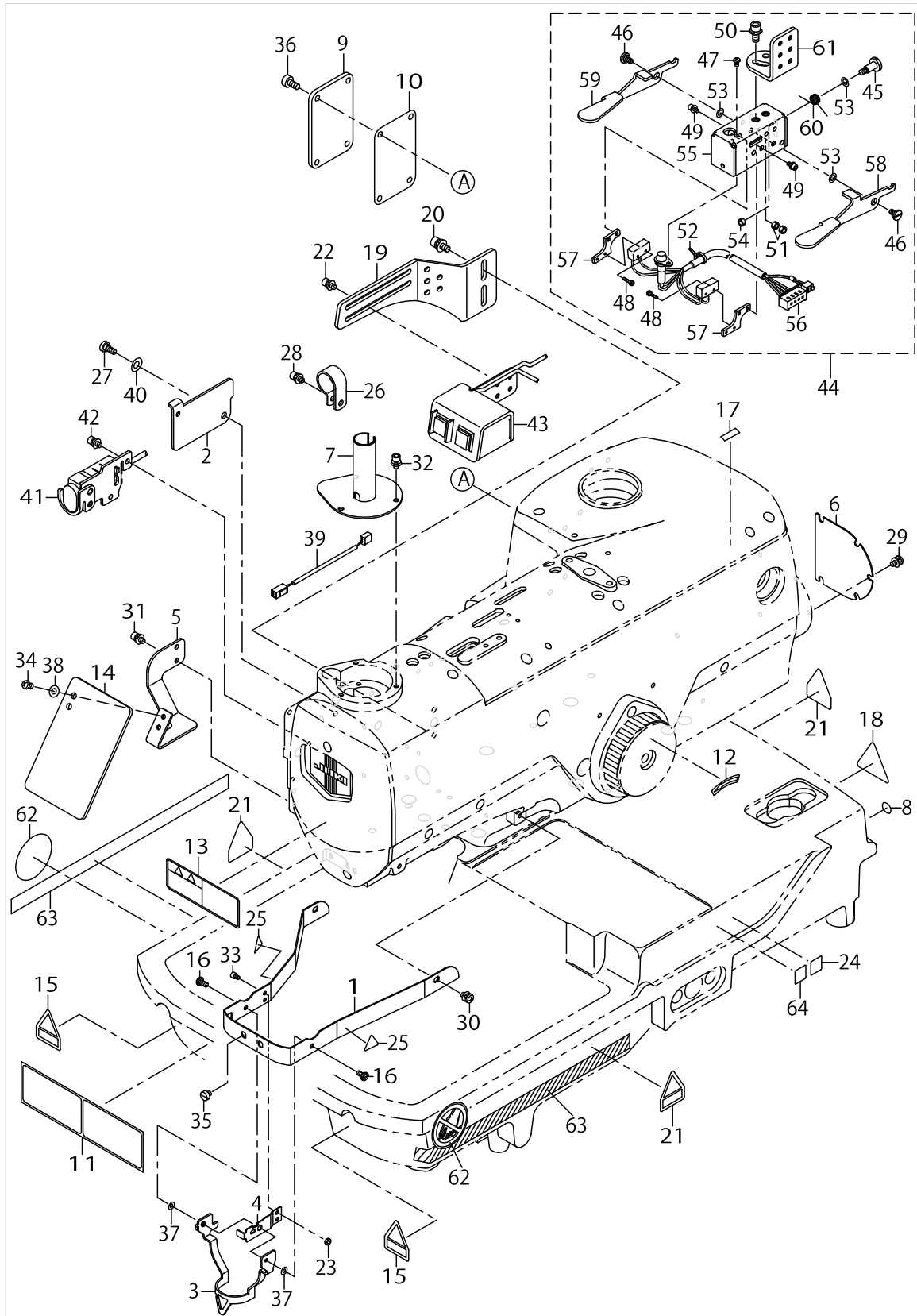
FRAME & MISCELLANEOUS COVER COMPONENTS(1)



FRAME & MISCELLANEOUS COVER COMPONENTS(1)

No.	Supply Code	Parts No.	Replacement	Parts name	Remarks	Choice	Step	Level	Cons	Qty	Rep. QTY
46		32002008		VERTICAL SHAFT						2	
47	R	32032005	40060558	AUXILIARY COVER LEFT	FOR MEB-3200RS					1	1.00
48		32003808		CLAMP RETAINER PLATE SPACER	FOR MEB-- 3200SS,RS					2	
49		26217604		WASHER						2	
50		PS0400162KP		SPRING PIN						1	
51		SS8153010SR		SCREW 15/64-28L=30						1	
52		NS6150310SP		NUT 15/64-28						1	
53		32003808		CLAMP RETAINER PLATE SPACER	FOR MEB-- 3200JS,CS- ,TS,JA, CA,TA					2	
54		14012504		CLAMP HOLDING PLATE						2	
55		WZ0620290KP		WAVED WASHER						2	
56		WP0550800SP		WASHER 5.5X10X0.8						2	
57		RE0400000KP		E-RING 4						4	
58		NS6110310SP		NUT 11/64-40						1	

FRAME & MISCELLANEOUS COVER COMPONENTS(2)

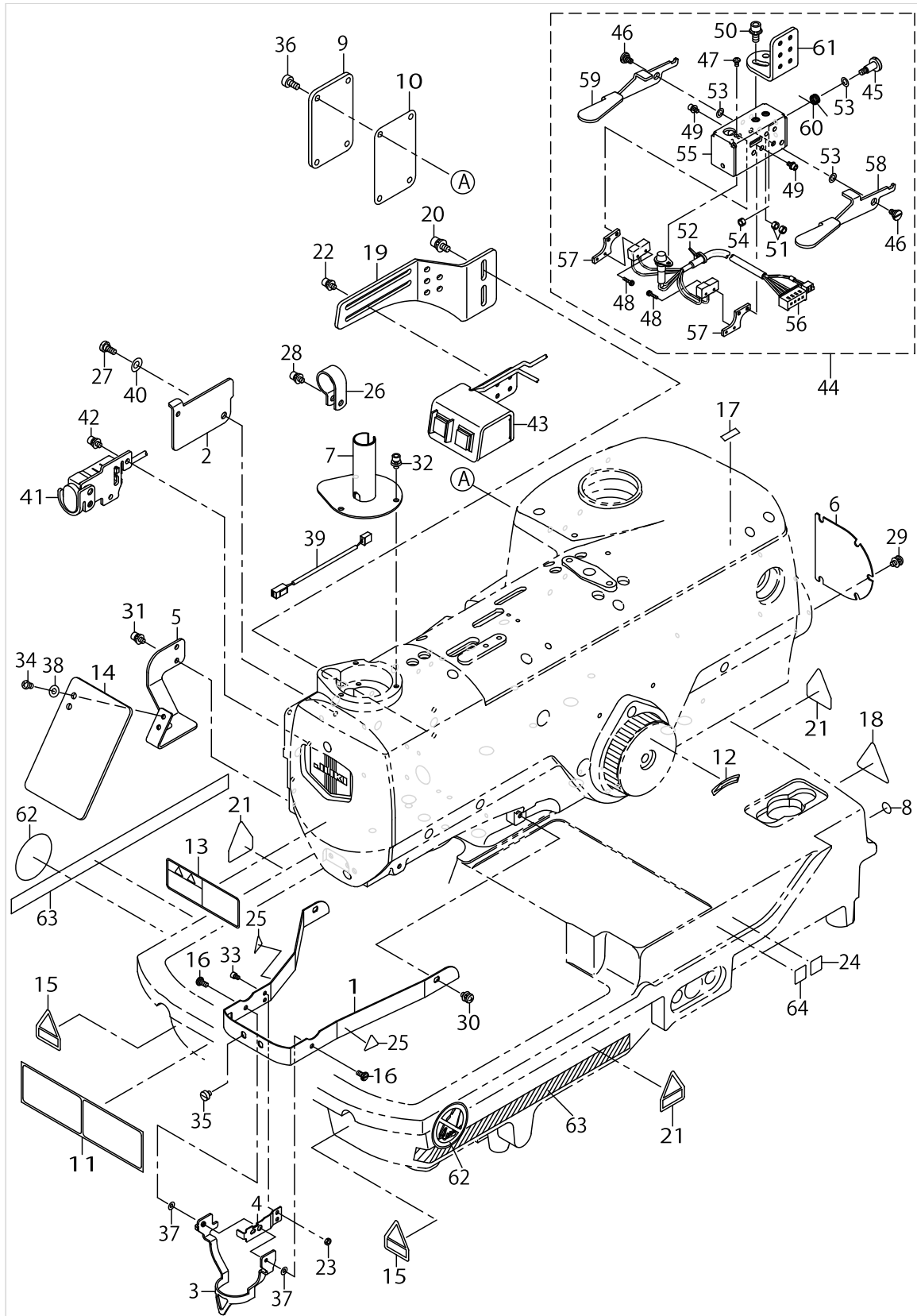


FRAME & MISCELLANEOUS COVER COMPONENTS(2)

No.	Supply Code	Parts No.	Replacement	Parts name	Remarks	Choice	Step	Level	Cons	Qty	Rep. QTY
1		32000903		REVOLUTION COVER						1	
2		32001109		ADJUST COVER						1	
3		32001406		FINGER GUARD						1	
4		32001505		FINGER GUARD SPRING						1	
5		40049095		SAFETY PLATE BRACKET						1	
6		32002800		BEARING COVER						1	
7		32003659		NEEDLE BAR COVER ASM.						1	
8	R	10004109	22901805	GROUND MARK						1	1.00
9		10743003		SIDE COVER						1	
10		10700706		SIDE COVER PACKING						1	
11		40023425		LUBRICATION/THREADING SEAL						1	
12		B1144210000		REVOLVING DIRECTION LABEL						1	
13		CM301300001		SAFETY LABEL						1	
14		26037200		SAFETY PLATE						1	
15		CM300200002		CAUTION LABEL(25)						2	
16		G5618830000		NEEDLE PRESSER SCREW						2	
17		B1140761000		OILING LABEL						1	
18		CM300100004		DANGER LABEL (50)						1	
19		32076507		SWITCH FITTING PLATE SUPPORT						1	
20		SL6051292TN		BOLT						2	
21		CM300200003		ATTENTION LABEL						3	
22		SL6041092TN		SCREW						4	
23		NM6030003SC		NUT M3						2	
24		CM600100101		WEEE MARK LABEL S	FOR JE					1	
25		CM300200001		ATTENTION SEAL						2	
26		HX00150000J		CLIP						1	
27		SD0600271SP		HINGE SCREW D=6 H=2.7						1	
28		SL6041092TN		SCREW						1	
29		SL4040881SC		SCREW M4 L=8						5	
30		SL4040881SC		SCREW M4 L=8						2	
31		SL6040892TN		BOLT						2	
32		SL6040892TN		BOLT						3	
33		SM6030402TN		BOLT M3X4						2	
34		SM4040655SP		SCREW M4 L=6						2	
35		SS6110480SL		SCREW 11/64-40 L=4.3						2	
36		SS6121010SP		SCREW 3/16-28 L=10						4	
37		WP0320501SC		WASHER M3						2	
38		WP0450801SD		WASHER 4.5X10X0.8						2	
39		32002750		RELAY CABLE ASM.						1	
40		WZ0620550KP		WASHER						1	
41		32002354		SWITCH ASM.						1	
42		SL6040892TN		BOLT						2	
43		32076655		HAND SWITCH ASM.	OPTIONAL PARTS					1	
44		32078552		NEAR SWITCH ASM.						1	
45		SD0601021SP		HINGE SCREW D=6 H=10.2				*		1	
46		SD0640231SP		HINGE SCREW D=6.35 H=2.3				*		2	



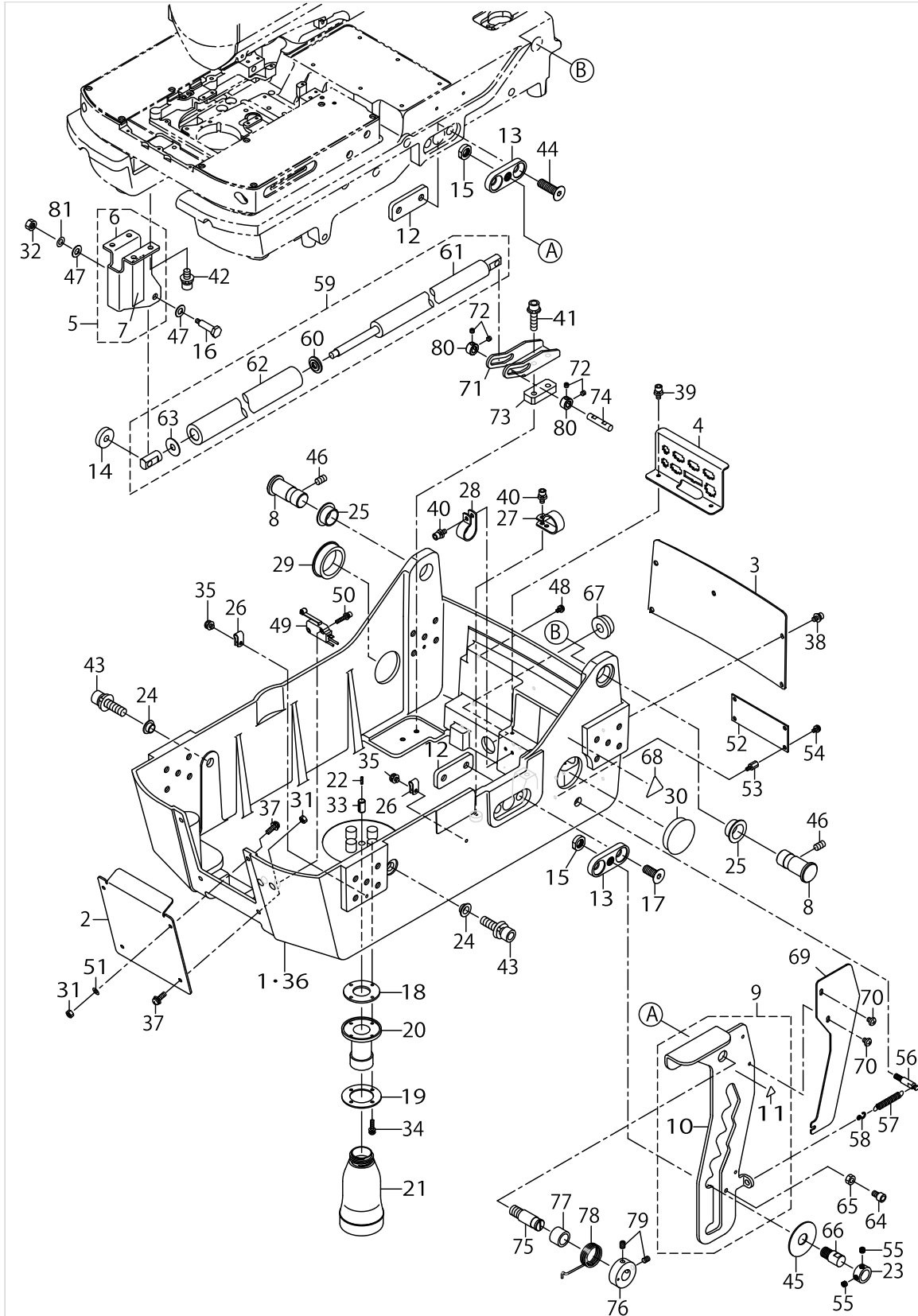
FRAME & MISCELLANEOUS COVER COMPONENTS(2)



FRAME & MISCELLANEOUS COVER COMPONENTS(2)

No.	Supply Code	Parts No.	Replacement	Parts name	Remarks	Choice	Step	Level	Cons	Qty	Rep. QTY
47		SM4030501SC		SCREW M3X0.5 L=5				*		1	
48		SL4021091SC		SCREW M2 L=10				*		4	
49		SL6030692TN		BOLT				*		4	
50		SL6051292TN		BOLT				*		2	
51		NS6110310SP		NUT 11/64-40				*		2	
52		EA9500B0100		CABLE BAND				*		1	
53		WP0480856SP		WASHER 4.8X8.4X0.8				*		3	
54		NS6110310SP		NUT 11/64-40				*		1	
55		32078503		SWITCH BOX				*		1	
56		32078651		LED SW ASM.				*		1	
57		32078800		SWITCH FITTING PLATE				*		2	
58		32078909		SWITCHLEVERRIGHT				*		1	
59		32079006		SWITCH LEVER LEFT				*		1	
60		32079105		LEVER RETURN SPRING				*		1	
61		32079204		NEAR SWITCH FITTING PLATE				*		1	
62		CM100300001		MUST NOT HOLD LABEL						2	
63		40058951		AREA_CAUTION_LABEL						2	
64		40116677		GOST_SAFETY_LABEL_S	FOR JE					1	

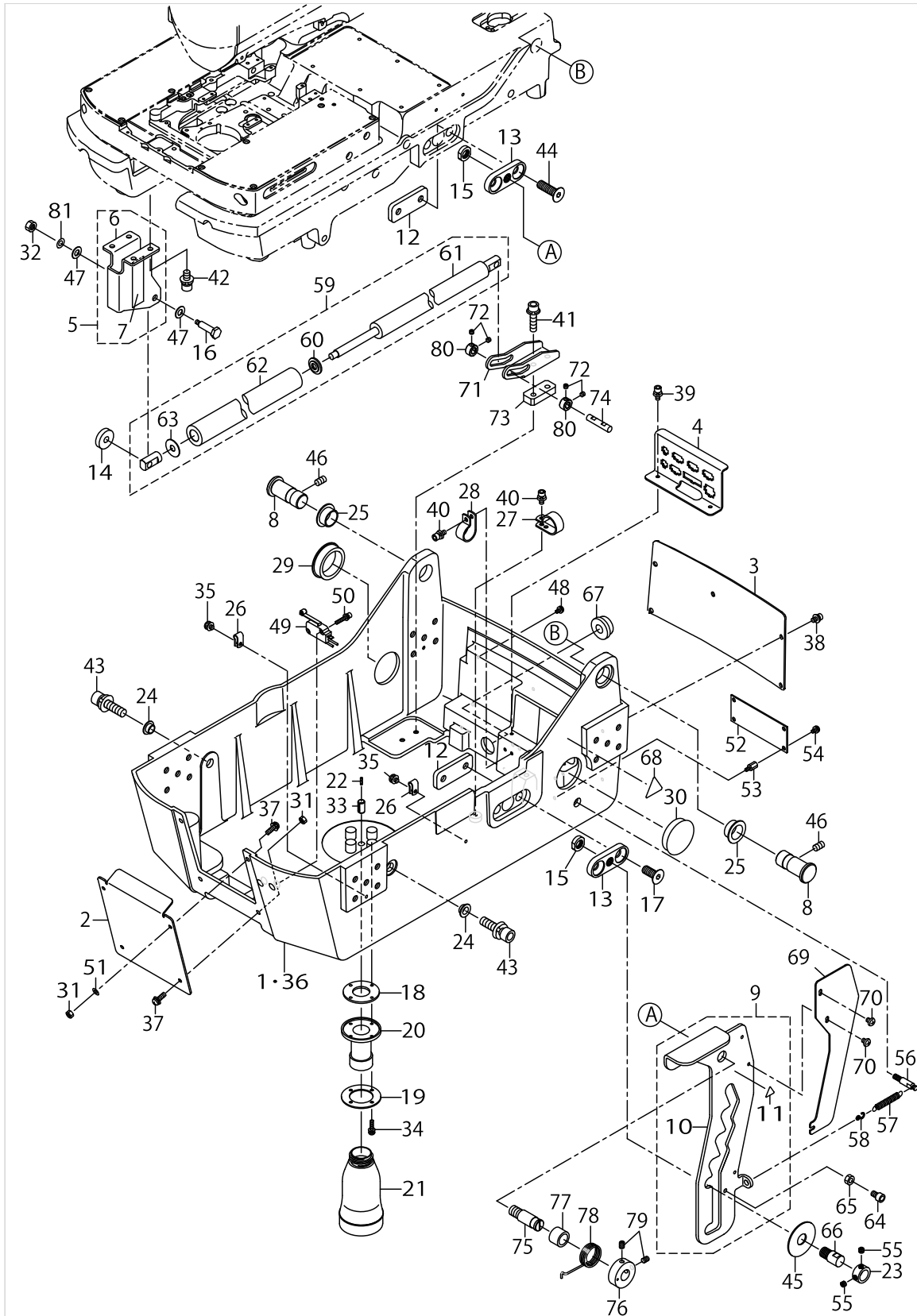
BOTTOM COVER COMPONENTS



BOTTOM COVER COMPONENTS

No.	Supply Code	Parts No.	Replacement	Parts name	Remarks	Choice	Step	Level	Cons	Qty	Rep. QTY
1		32004517		BOTTOM COVER	EXCEPT M-EB-3200JA,CA,TA					1	
2		32004608		FRONT COVER						1	
3		32004707		REAR COVER						1	
4		32004806		CONNECTOR FITTING PLATE						1	
5		40100143		GAS SPRING BRACKET, UPPER ASM.						1	
6		40100140		GAS SPRING BRACKET, UPPER				*		1	
7		40059760		CAUTION LABEL				*		1	
8		32005209		HINGE SHAFT						2	
9		40100165		HINGESTOPPERASM.						1	
10		40099470		HINGE STOPPER				*		1	
11		CM300200001		ATTENTION SEAL				*		1	
12		32006108		HINGE STOPPER FIXING PLATE B						2	
13		40100149		HINGE STOPPER FIXING PLATE						2	
14		13156500		ISOLATOR SPACER	EXCEPT M-EB-3200JA,CA,TA					1	
15		32005902		HINGE STOPPER NUT						2	
16		40100146		GAS SPRING SHAFT U						1	
17		SM1102552TT		SCREW M10 L=25						2	
18		B8112220000		OIL SEAL						1	
19		B8111220000		WASHER						1	
20		B8202205000		OIL MANAGEMENT						1	
21		B9121012000		OIL CAN						1	
22		CQ252000000		OIL WICK						.1	
23		32006306		HINGE STOPPER COLLAR						1	
24		E2193172000		PT EV PP METAL						2	
25		G6264870000		BEARING						2	
26		HX00150000A		CABLE CLAMP						2	
27		HX00150000M		CABLE CLIP						1	
28		HX00150000J		CABLE CLIP						1	
29	D	HX00188000A		BUSH						1	
30		HX003260000		BUSH						1	
31		NM6040000SN		NUT M4						4	
32		NM6050001SC		NUT M5X0.8 TYPE1						1	
33		PS0800162KP		SPRING PIN 8X16						1	
34		SL4031481SC		SCREW M3 X 14						4	
35		SL4040881SC		SCREW M4 L=8						2	
36	D	40012051		BOTTOM COVER A	FOR MEB--3200JA,CA,TA					1	
37		SL4041481SC		SCREW M4X0.7 L=14						4	
38		SL6040892TN		BOLT						5	
39		SL6041092TN		SCREW						2	
40		SL6041092TN		SCREW						2	
41		SL6062592TN		SCREW						2	
42		SL6061492TN		BOLT						4	
43		SL6083092TN		SCREW						2	
44		SM1103552TT		SCREW M10 L=35						2	
45		32005704		HINGE STOPPER WASHER						1	

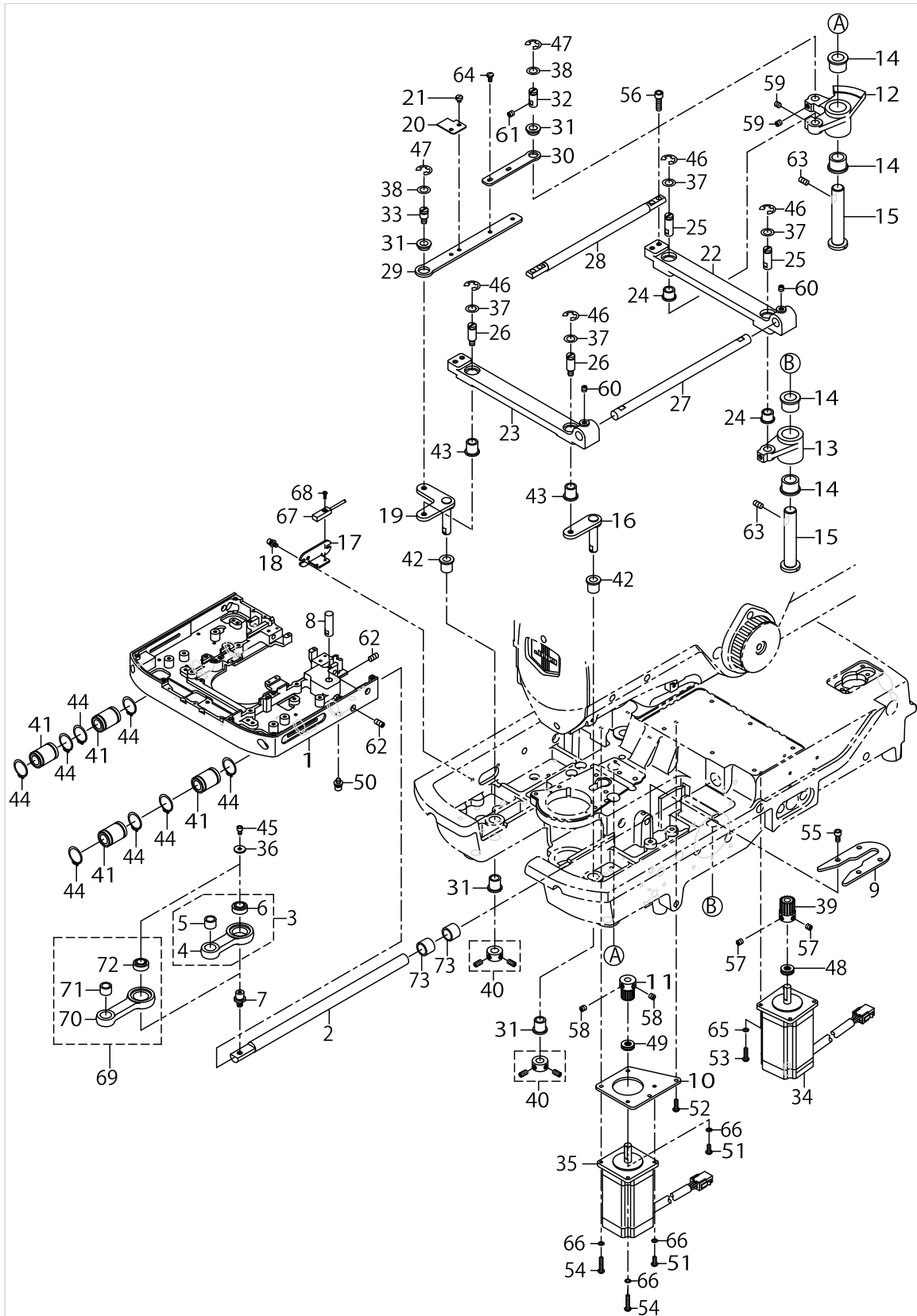
# BOTTOM COVER COMPONENTS



BOTTOM COVER COMPONENTS

No.	Supply Code	Parts No.	Replacement	Parts name	Remarks	Choice	Step	Level	Cons	Qty	Rep. QTY
46		SM8061002TP		SCREW M6 L=10						2	
47		B1223771000		NEEDLE ROD CRANK WASHER						2	
48		SL4040881SC		SCREW M4 L=8						1	
49		32002255		SWITCH ASM.						1	
50		SL6031692TN		SCREW						2	
51		WP0410846SC		WASHER						8	
52		M86026200A0		CIRCUITBOARDASM.						1	
53		HX003390000		STUD						4	
54		SL4040881SC		SCREW M4 L=8						4	
55		SS8660512TP		SCREW 1/4-40 L=5						2	
56		40100154		HINGE STOPPER SPRING RACK						1	
57		40100153		TENSION SPRING						1	
58		32005605		HINGE STOPPER RACK						1	
59		40100390		GAS SPRING ASM.						1	
60		40100147		GAS SPRING COVER COLLAR				*		1	
61		40100142		GAS SPRING				*		1	
62		40100148		GAS SPRING COVER				*		1	
63		32021206		SPRING HOLDER S				*		1	
64		SM6050802TP		SCREW M5X0.8 L=8						1	
65		NM6050001SC		NUT M5						1	
66		40100151		HINGE STOPPER SHAFT B						1	
67		32006504		CLOTH WASTE BUSH						1	
68		CM300200003		ATTENTION LABEL						1	
69		40099471		HINGE STOPPER COVER						1	
70		SM4040501SN		SCREW M4X0.7 L=5						3	
71		40100141		GAS SPRING BRACKET, LOWER						1	
72		SM8050512TP		SCREW						4	
73		40100144		GAS SPRING BRACKET BASE						1	
74		40100145		GAS SPRING SHAFT L						1	
75		40100150		HINGE STOPPER SHAFT A						1	
76		40100152		HINGE STOPPER THRUST COLLAR						1	
77		40100157		HINGE STOPPER COLLAR						1	
78		40100158		HINGE STOPPER SPRING B						1	
79		SM8060812TP		SCREW M6 L=8						2	
80		CS0800881TP		THRUST COLLAR						2	
81		WP0531000SC		WASHER 5.3X10X1						1	

FEED COMPONENTS

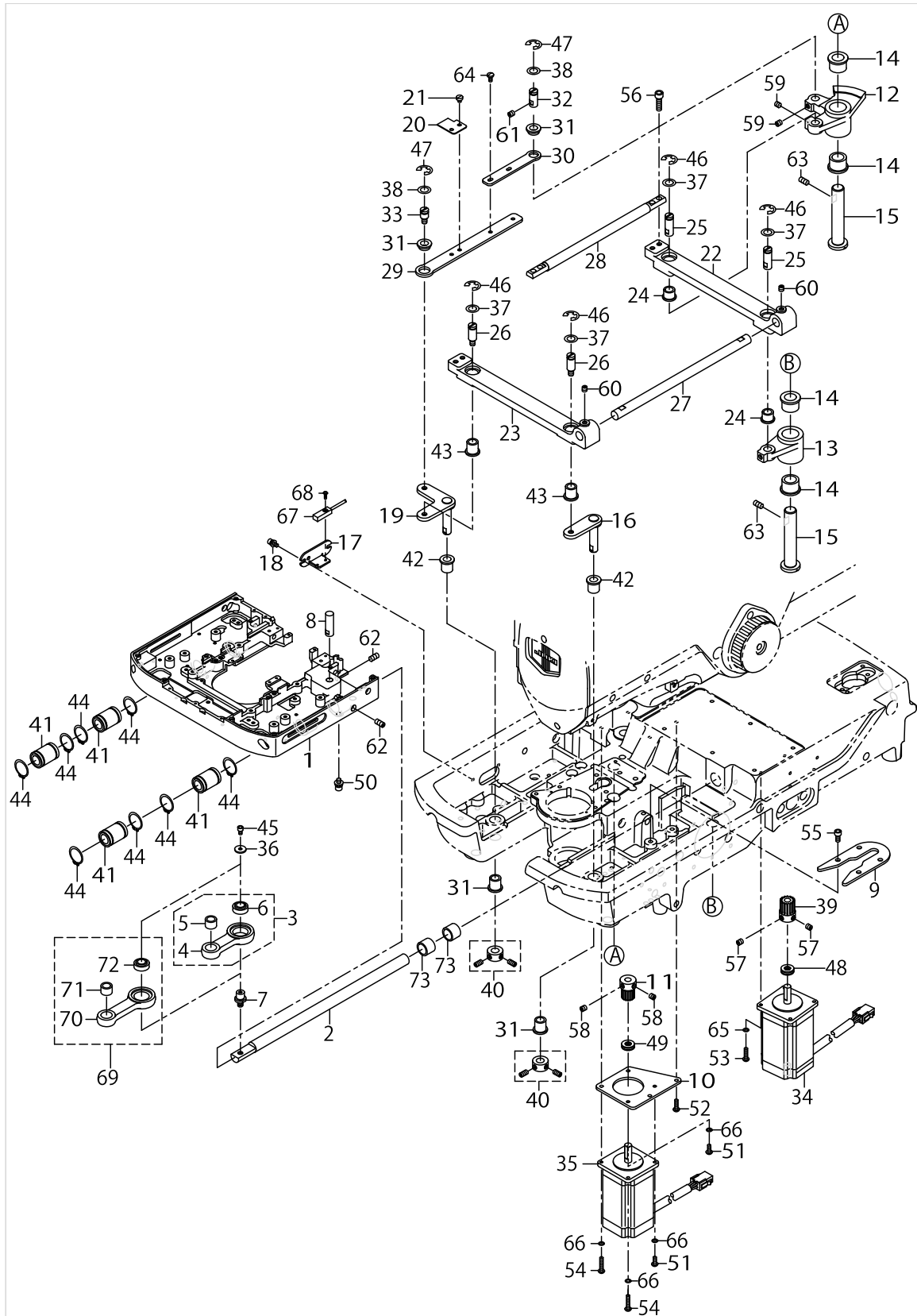


FEED COMPONENTS

No.	Supply Code	Parts No.	Replacement	Parts name	Remarks	Choice	Step	Level	Cons	Qty	Rep. QTY
1		32007007		CLOTH FEED BASE						1	
2		32007106		VERTICAL FEED SHAFT						1	
3		40131925		VERTICAL FEED CO- NNECTING ARM ASM.	FOR MEB-- 3200SS,RS					2	
4		40131921		VERTICAL FEED CO- NNECTING ARM				*		1	
5		32007403		CONNECTING ARM METAL, A				*		1	
6		40131924		SPHERICAL BEARING				*		1	
7		40131923		CONNECTING SHAFT						1	
8		32007700		CONNECTING SHAFT						1	
9		32007809		GUIDE PLATE						1	
10		32007908		MOTOR BRACKET						1	
11		32008005		CROSSFEED GEAR						1	
12		32008104		CROSSFEED ARM						1	
13		32008203		CROSSFEED DRIVEN ARM, REAR						1	
14		32008302		CROSSFEED ARM METAL						4	
15		32008401		FULCRUM SHAFT						2	
16		32008559		DRIVEN ARM RIGHT ASM.						1	
17		32078107		CROSSFEED SENSOR BEACKET						1	
18		SL6041092TN		SCREW						2	
19		32008658		DRIVEN ARM LEFT ASM.						1	
20		32078206		SENSOR SLIT PLATE						1	
21		SS6110480SP		SCREW 11/64-40 L=4.3						2	
22		32008906		GUIDE SHAFT FIXING BASE						1	
23		32009003		GUIDE SHAFT FIXIN- G BASE, FRONT						1	
24		32009102		GUIDE SHAFT FIXIN- G BASE METAL						2	
25		32009201		DRIVING ARM CON- NECTING SHAFT						2	
26		32009300		DRIVEN ARM CONNECTING SHAFT						2	
27	D	32009409		VERTICAL FEED GUIDE SHAFT, A						1	
28		32009508		VERTICAL FEED GUIDE SHAFT, B						1	
29		32009607		CONNECTING PLATE, LOWER						1	
30		32009706		CONNECTING PLATE, UPPER						1	
31		32009805		CONNECTING PLATE METAL						4	
32		32009904		CONNECTING PLATE UPPER SHAFT						1	
33	D	32010001		CONNECTING PLATE LOWER SHAFT						1	
34		KM000000310		PULSE MOTOR						1	
35		KM000000320		PULSE MOTOR						1	
36		B1707555000		WASHER						1	
37		10523504		WASHER						4	
38		10523504		WASHER						2	
39		26501502		Y FEED GEAR						1	
40		CS100101DSH		THRUST COLLAR ASM.						2	
41		E1902172000		INSERT CARRIAGE BUSH						4	
42		E5541172000		SINTERED BEARING						2	
43		E5541172000		SINTERED BEARING						2	
44		RC1951211KP		C-RING						8	



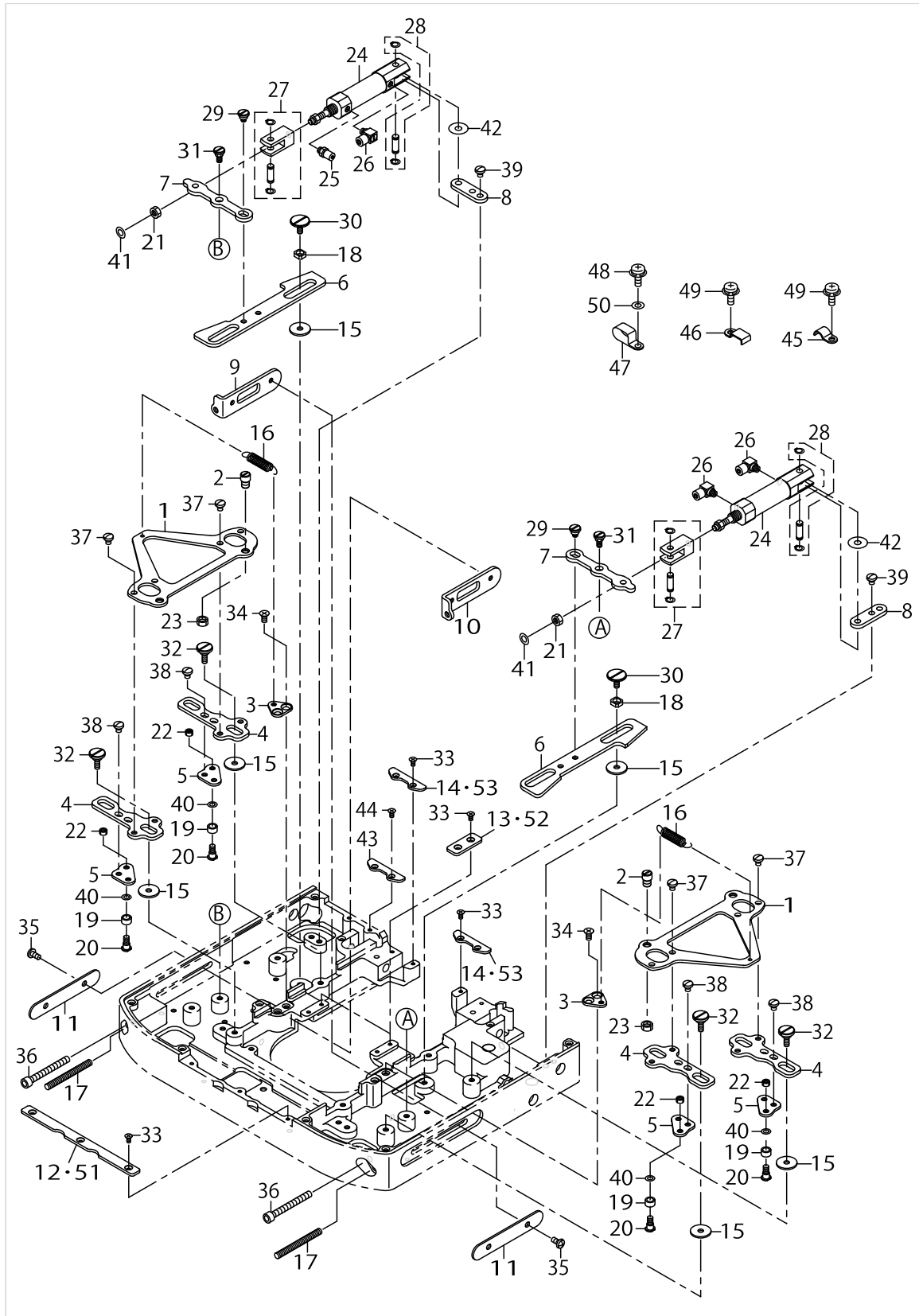
FEED COMPONENTS



FEED COMPONENTS

No.	Supply Code	Parts No.	Replacement	Parts name	Remarks	Choice	Step	Level	Cons	Qty	Rep. QTY
45		SM6040602TN		BOLT						1	
46		RE0900000K0		E-RING 9						4	
47		RE0900000K0		E-RING 9						2	
48		SB408000100		BEARING						1	
49		SB408000100		BEARING						1	
50		SL6051092TN		BOLT						1	
51		SM4041055SP		SCREW						2	
52		SM4041455SN		SCREW M4 L=14						2	
53		SM4041655SP		SCREW M4 L=16						4	
54		SM4042055SP		SCREW						2	
55		SM6051002TP		SCREW M5X0.8 L=10						4	
56		SM6062002TN		SCREW M6 L=20						4	
57		SM8060602TP		SCREW M6X6						2	
58		SM8060602TP		SCREW M6X6						2	
59		SM8060812TP		SCREW M6 L=8						2	
60		SM8060812TP		SCREW M6 L=8						2	
61		SM8060812TP		SCREW M6 L=8						1	
62		SM8061212TP		SCREW M6X12						2	
63		SM8061212TP		SCREW M6X12						2	
64		SS7110840SP		SCREW 11/64-40 L=7.8						2	
65		WP0450846SP		WASHER						4	
66		WP0450846SP		WASHER						4	
67		32078057		HOME POSITION SENSOR ASM.						1	
68		SM4860801SC		SCREW M2.6 L=8						1	
69		40131926		VERTICAL FEED CO- NNECTING ARM 10 ASM.	FOR MEB-- 3200JS,CS- ,TS,JA, CA,TA					1	
70		40131922		VERTICAL FEED CO- NNECTING ARM 10				*		1	
71		32007403		CONNECTING ARM METAL, A				*		1	
72		40131924		SPHERICAL BEARING				*		1	
73		32007205		VERTICAL FEED SHAFT METAL						2	

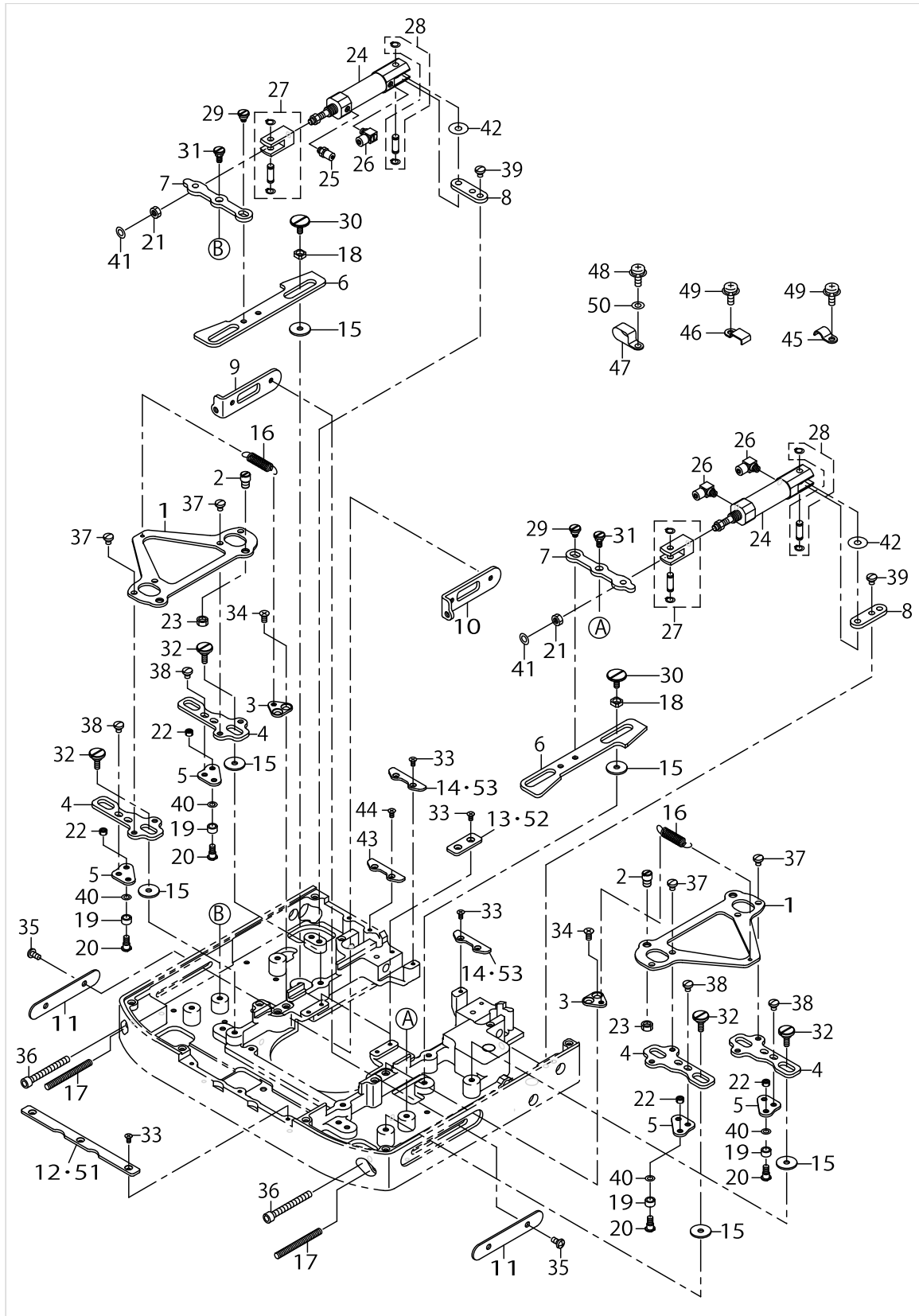
CLOTH OPEN COMPONENTS



CLOTH OPEN COMPONENTS

No.	Supply Code	Parts No.	Replacement	Parts name	Remarks	Choice	Step	Level	Cons	Qty	Rep. QTY
1		32011504		CLOTH OPEN PLATE						2	
2		32011603		HOLDING PIN						4	
3		32011702		SPRING HOOK						2	
4		32011801		RAIL PLATE						4	
5		32011900		ROLLER PLATE						4	
6		32012007		CAM PLATE						2	
7		32012106		DRIVING LINK						2	
8		32012205		CYLINDER BRACKET						2	
9		32012304		STOPER, RIGHT						1	
10		32012403		STOPER, LEFT						1	
11		32012502		STOPPER COVER						2	
12		32012601		HOLDING PLATE, FRONT	EXCEPT M-EB-3200J-S,CS,TS,JA, CA,TA					1	
13		32012700		HOLDING PLATE, MID	EXCEPT M-EB-3200J-S,CS,TS,JA, CA,TA					2	
14		32012809		HOLDENG PLATE, REAR	EXCEPT M-EB-3200J-S,CS,TS,JA, CA,TA					2	
15		12204004		THRUST HOLDER						12	
16	R	40009163	B2052781000	THREAD TRIMMER SPRING A						2	1.00
17		B2440210D00		LINK STOPPER SCREW						2	
18		B2609280000		SLIDE BLOCK						1	
19		D2587L8WB00		ROLLER						4	
20		D2588L8WB00		ROLLER SHAFT						4	
21		NM6050001SP		NUT M5						2	
22		NS6110310SP		NUT 11/64-40						4	
23		NS6660430SP		NUT 1/4-40						4	
24		PA1601525A0		AIR CYLINDER						2	
25		PJ032052503		HOSE NIPPLE						1	
26		PJ046052503		HOSE ELBOW						3	
27		PX500020000		KNUCKLE JOINT						2	
28		PX5000290A0		PIN						2	
29		SD0640321TP		HINGE SCREW D=6.35 H=3.2						2	
30		SD0640324TP		HINGE SCREW D=6.35 H=3.2						4	
31		SD0640326TP		HINGE SCREW						2	
32		SD0790311TP		HINGE SCREW D=7.94 H=3.1						8	
33		SM1030601SC		SCREW M3 L=6						11	
34		SM1040801SP		SCREW M4X0.7 L=8						4	
35		SM5040855SN		SCREW						4	
36		SM6054552TN		SCREW						2	
37		SS7110510SP		SCREW 11/64-40 L=5						8	
38		SS7110570SP		SCREW 11/64-40 L=4.8						8	
39		SS7110840SP		SCREW 11/64-40 L=7.8						4	
40		WP0450846SP		WASHER						4	
41		WP0550800SP		WASHER 5.5X10X0.8						2	
42		WP0553216SD		WASHER						2	
43		32012809		CLOTH OPEN HOLD-ING PLATE, REAR	FOR MEB-3200RS					1	

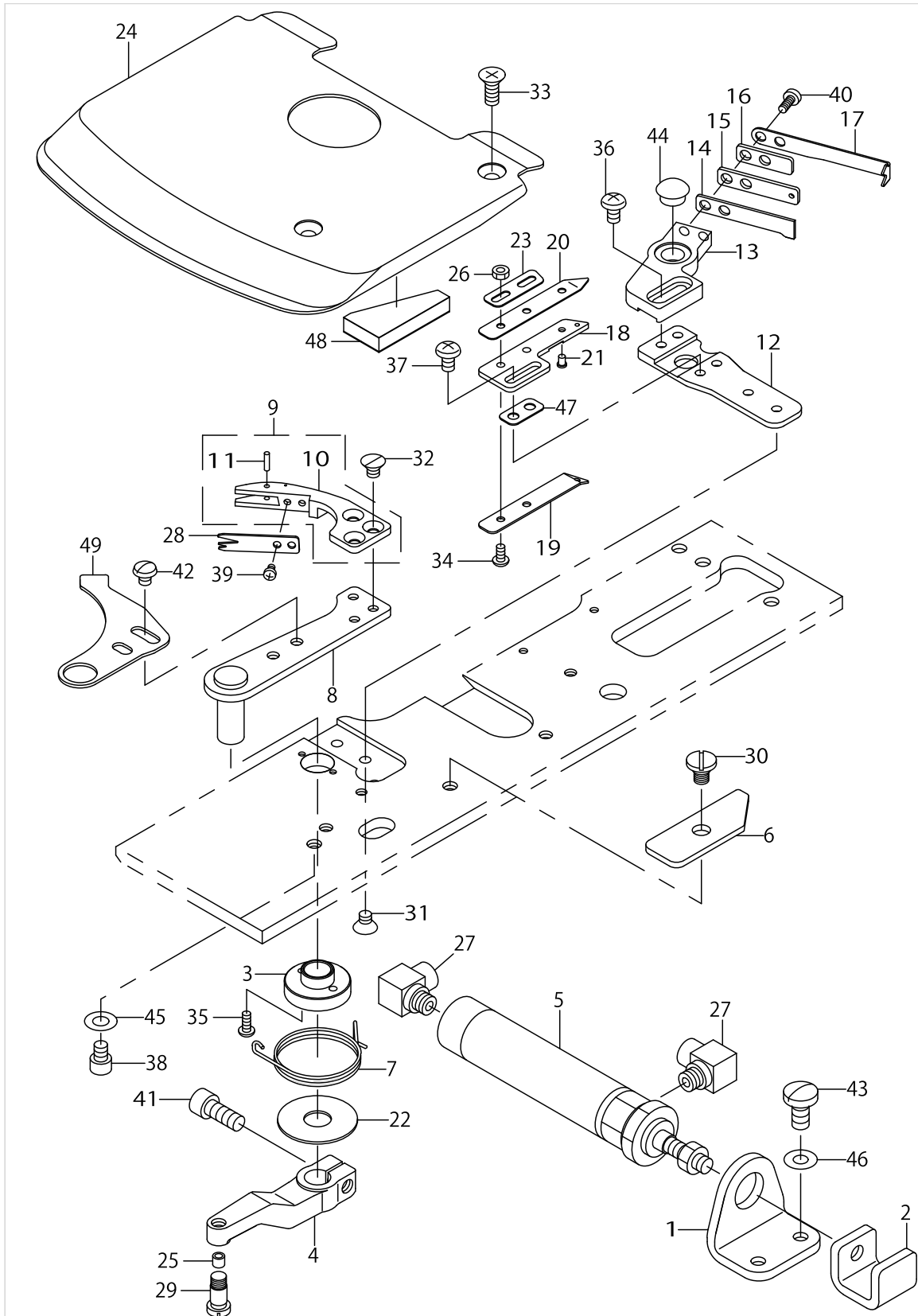
CLOTH OPEN COMPONENTS



CLOTH OPEN COMPONENTS

No.	Supply Code	Parts No.	Replacement	Parts name	Remarks	Choice	Step	Level	Cons	Qty	Rep. QTY
44		SM1030601SC		SCREW M3 L=6	FOR MEB-3200RS					2	
45		D2611555B00A		CABLE HOLDER						1	
46		B3509210000		OIL TUBE HOLDER C						5	
47		D2112555B00		CORD HOLDER, LARGE						1	
48		SL4040881SC		SCREW M4 L=8						1	
49		SL4040881SC		SCREW M4 L=8						8	
50		WP0560860SE		WASHER 5.6X12X0.8						1	
51		32012908		HOLDING PLATE, FRONT B	FOR MEB-- 3200JS,CS- ,TS,JA, CA,TA					1	
52		32013005		HOLDING PLATE, MID B	FOR MEB-- 3200JS,CS- ,TS,JA, CA,TA					2	
53		32013104		HOLDING PLATE, REAR B	FOR MEB-- 3200JS,CS- ,TS,JA, CA,TA					2	

LOWER THREAD CUTTING COMPONENTS (1) (FOR MEB-3200SS, RS)

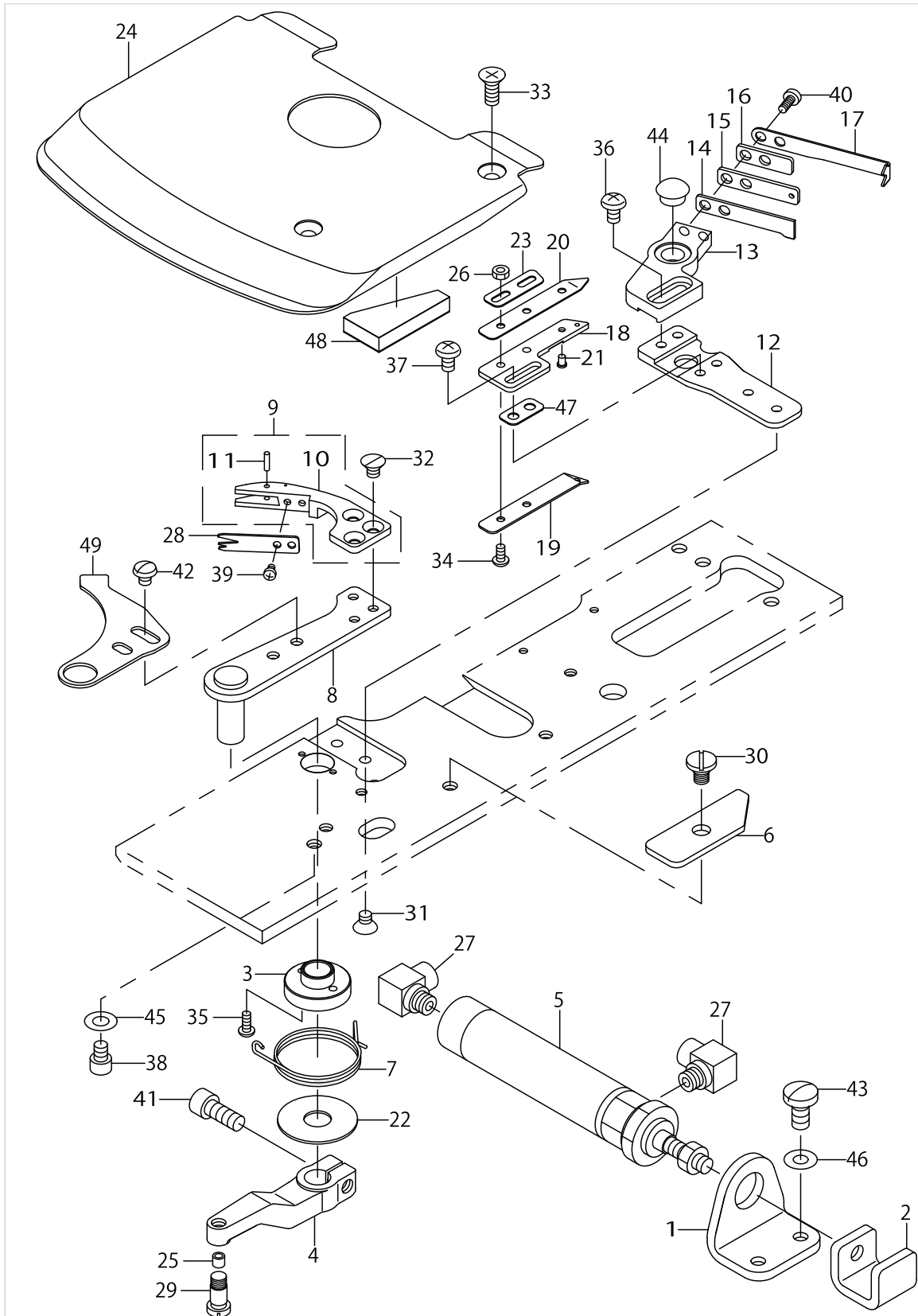


LOWER THREAD CUTTING COMPONENTS (1) (FOR MEB-3200SS, RS)

No.	Supply Code	Parts No.	Replacement	Parts name	Remarks	Choice	Step	Level	Cons	Qty	Rep. QTY
1		32017006		CYLINDER BRACKET						1	
2		32017105		CYLINDER CLICK						1	
3		32020000		SHAFT HOLDER,S						1	
4		32020406		DRIVING ARM,S						1	
5		32017451		CYLINDER ASM.						1	
6		32017501		LOWER THREAD CUTTING STOPPER						1	
7		32017600		RETURN SPRING,S						1	
8		32017865		MOVING KNIFE ASM.						1	
9		40034923		MOVING KNIFE ASM.					☆	1	
10		32018012		MOVING KNIFE				*		1	
11		PS0150065KP		SPRING PIN 1.5X6				*		1	
12		32018301		AUXILIARY BASE						1	
13		32018400		FIXING KNIFE FITTING BASE						1	
14		32018509		FIXING KNIFE					☆	1	
15		32018608		SPRING, LOWER						1	
16		32018707		SPRING, UPPER						1	
17		32018806		GUIDE PLATE						1	
18		32018905		GRASPING FIXING PLATE						1	
19		32019002		LOWER THREAD GRASPING						1	
20		32019101		GIMP GRASPING						1	
21		32019200		PIN						1	
22		32021206		SPRING HOLDER,S						1	
23		32019408		SPRING						1	
24		32019507		KNIFE COVER,S						1	
25		13737804		DRIVING ARM BOSS ROLLER						1	
26		NM6020001SC		NUT M2						2	
27		PJ046052503		HOSE ELBOW						2	
28		32018103		TREATING PLATE						1	
29		SD0500721SP		HINGE SCREW D=5 H=7.2						1	
30		SD0550212TP		HINGE SCREW D=5.5 H=2.1						1	
31		SM1030400SP		SCREW M3 L=4						2	
32		SM1030400SP		SCREW M3 L=4						3	
33		SM1041001SN		SCREW M4X0.7 L=10						2	
34		SM4020401SC		SCREW M2 L=4						2	
35		SM4020601SC		SCREW M2 L=6						2	
36		SM4030501SN		SCREW M3 L=5						2	
37		SM4030501SN		SCREW M3 L=5						2	
38		SM6040502TP		SCREW M4X0.7 L=5						1	
39		SM6020450TP		SCREW						2	
40		SM6030802TN		BOLT						2	
41		SM6041002TP		SCREW M4 L=10						1	
42		SS5090420SP		SCREW 9/64-40 L=3.5						2	
43		SS7110840SP		SCREW 11/64-40 L=7.8						2	
44		TA0750404R0		PLUG D=7.5 L=3.5						1	
45		WP0430801SC		WASHER 4.3X9X0.8						1	
46		WP0450801SP		WASHER						2	



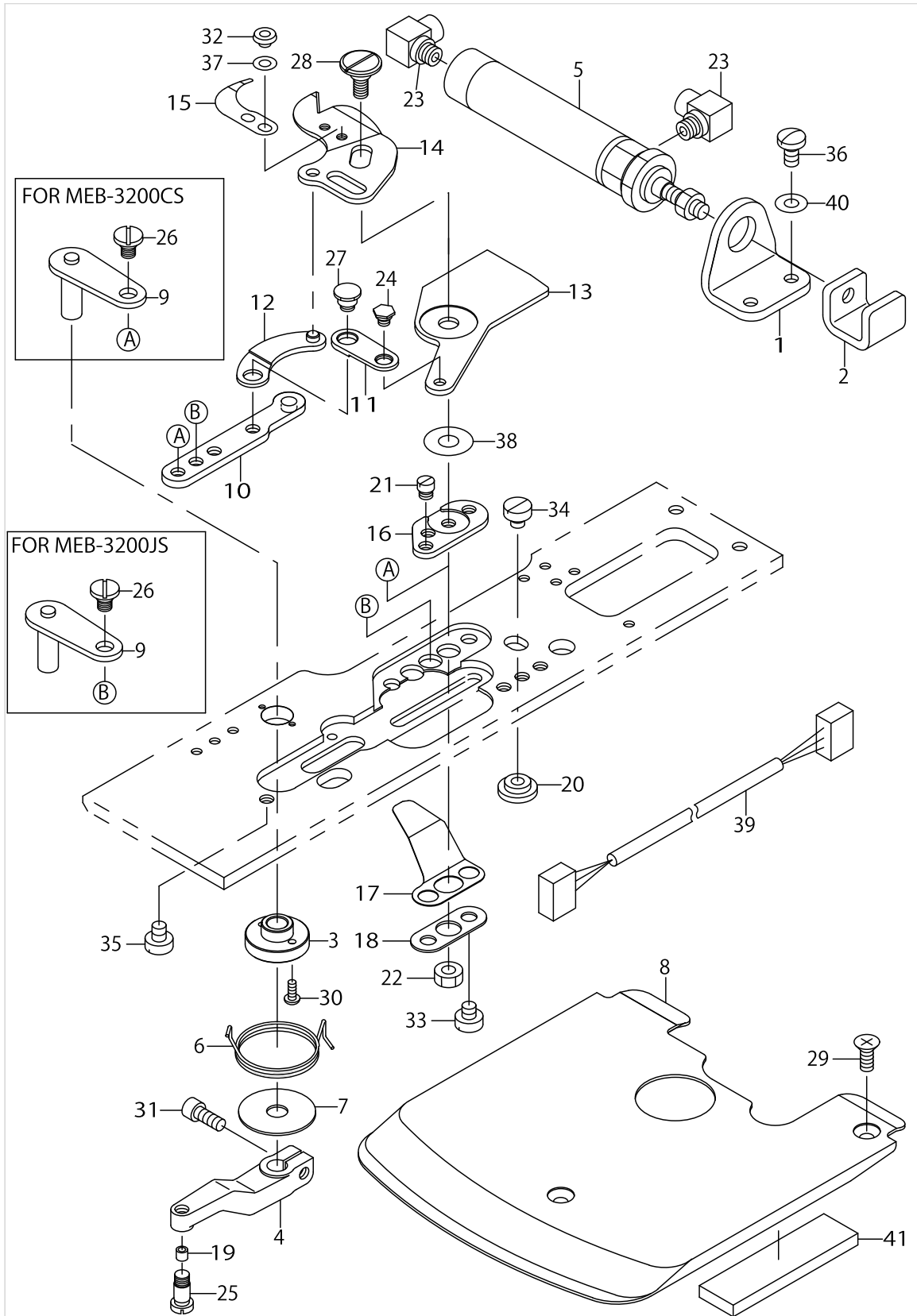
LOWER THREAD CUTTING COMPONENTS (1) (FOR MEB-3200SS, RS)



LOWER THREAD CUTTING COMPONENTS (1) (FOR MEB-3200SS, RS)

No.	Supply Code	Parts No.	Replacement	Parts name	Remarks	Choice	Step	Level	Cons	Qty	Rep. QTY
47		32019705		LOWER THREAD GR- ASPING SPACER	SELECTIVE USE OF 0 TO 2 PCS.					2	
48		32021552		KNIFE COVER,S SHEET ASM.						1	
49		32018210		LOWER THRAED GR- ASPING OPENER						1	

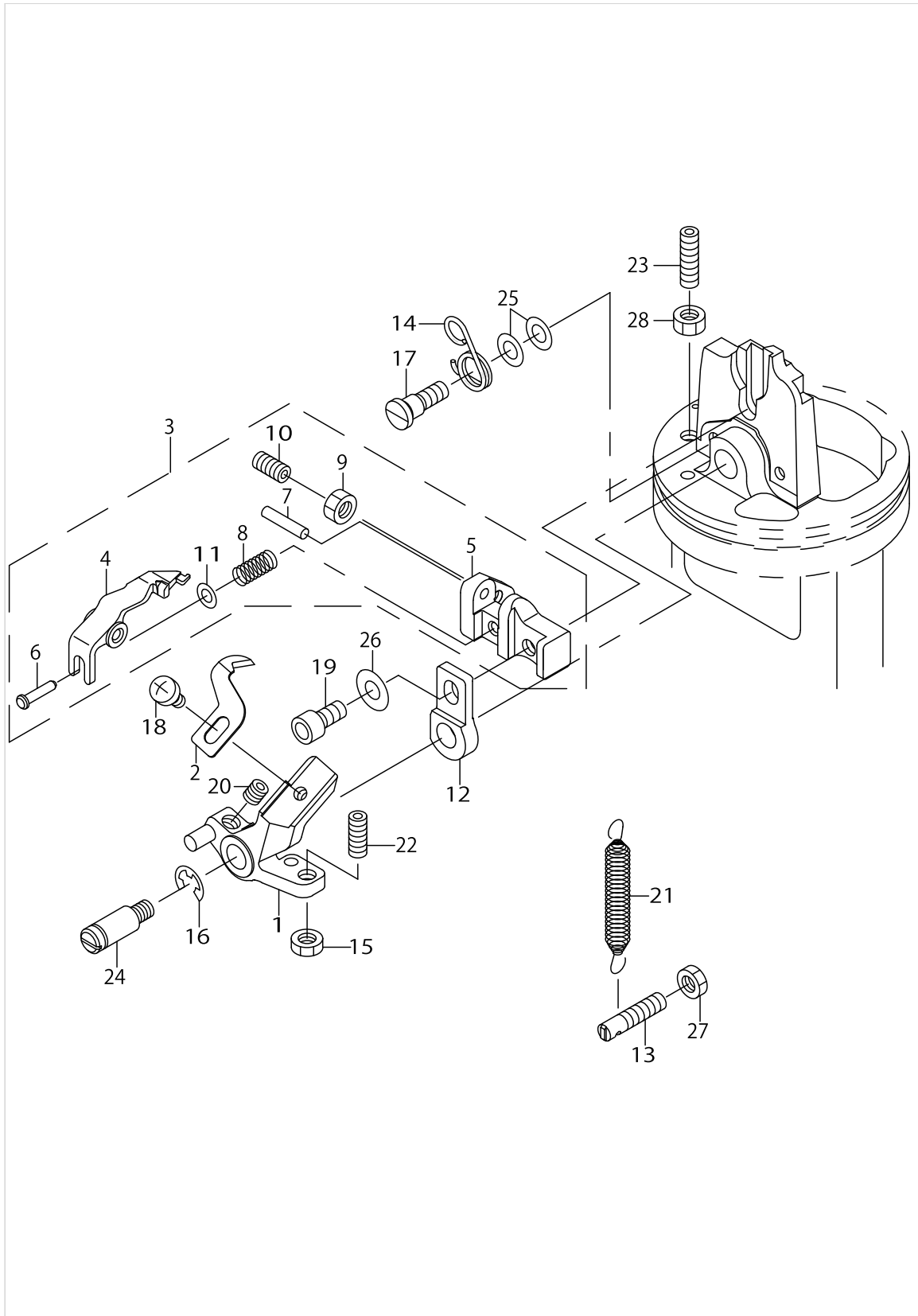
LOWER THREAD CUTTING COMPONENTS (2) (FOR MEB-3200JS, CS, JA, CA)



LOWER THREAD CUTTING COMPONENTS (2) (FOR MEB-3200JS, CS, JA, CA)

No.	Supply Code	Parts No.	Replacement	Parts name	Remarks	Choice	Step	Level	Cons	Qty	Rep. QTY
1		32017006		CYLINDER BRACKET						1	
2		32017105		CYLINDER CLICK						1	
3		32017204		SHAFT HOLDER						1	
4		32017303		DRIVING ARM						1	
5		32017451		CYLINDER ASM.						1	
6		32017709		SPRING, J						1	
7		32019309		SRING HOLDER						1	
8		32019606		KNIFE COVER, J						1	
9		32019853		LOWER THREAD CU- TTER LINK ASM.						1	
10		32019903		CONECTING LINK						1	
11		32020109		LOWER KNIFE LINK						1	
12		32020257		UPPER KNIFE LINK ASM.						1	
13		32020505		THREAD CUTTER LOWER KNIFE					☆	1	
14		40015996		THREAD CUTTER UPPER KNIFE					☆	1	
15		32020703		THREAD HAUL PLATE						1	
16		32020802		KNIFE FITTING BASE						1	
17		32020919		UPPER KNIFE LOWER COVER						1	
18		32021008		STOPPER PLATE						1	
19		13737804		DRIVING ARM BOSS ROLLER						1	
20		B1651210000		LINK NUT.						1	
21		D2522232D00		PIN						1	
22		NS6110310SP		NUT 11/64-40						1	
23		PJ046052503		HOSE ELBOW						2	
24		SD0500131TP		HINGE SCREW D=5 H=1.25						1	
25		SD0500721SP		HINGE SCREW D=5 H=7.2						1	
26		SD0550212TP		HINGE SCREW D=5.5 H=2.1						1	
27		SD0600311TP		HINGESCREW						1	
28		SD0640381TP		HINGE SCREW						1	
29		SM1041001SN		SCREW M4X0.7 L=10						2	
30		SM4020601SC		SCREW M2 L=6						2	
31		SM6041002TP		SCREW M4 L=10						1	
32		SS5080212TP		SCREW 1/8-44 L=2						2	
33		SS6110480SP		SCREW 11/64-40 L=4.3						2	
34		SS6110480SP		SCREW 11/64-40 L=4.3						1	
35		SS6110520TP		SCREW 11/64-40 L=4.5						1	
36		SS7110840SP		SCREW 11/64-40 L=7.8						2	
37		WP0320500SC		WASHER M3						2	
38		WZ0880200KP		WAVED WASHER						1	
39		32078354		SENSOR CABLE ASM.						1	
40		WP0450801SP		WASHER						2	
41		32021859		KNIFE COVER,J SHEET ASM.						1	

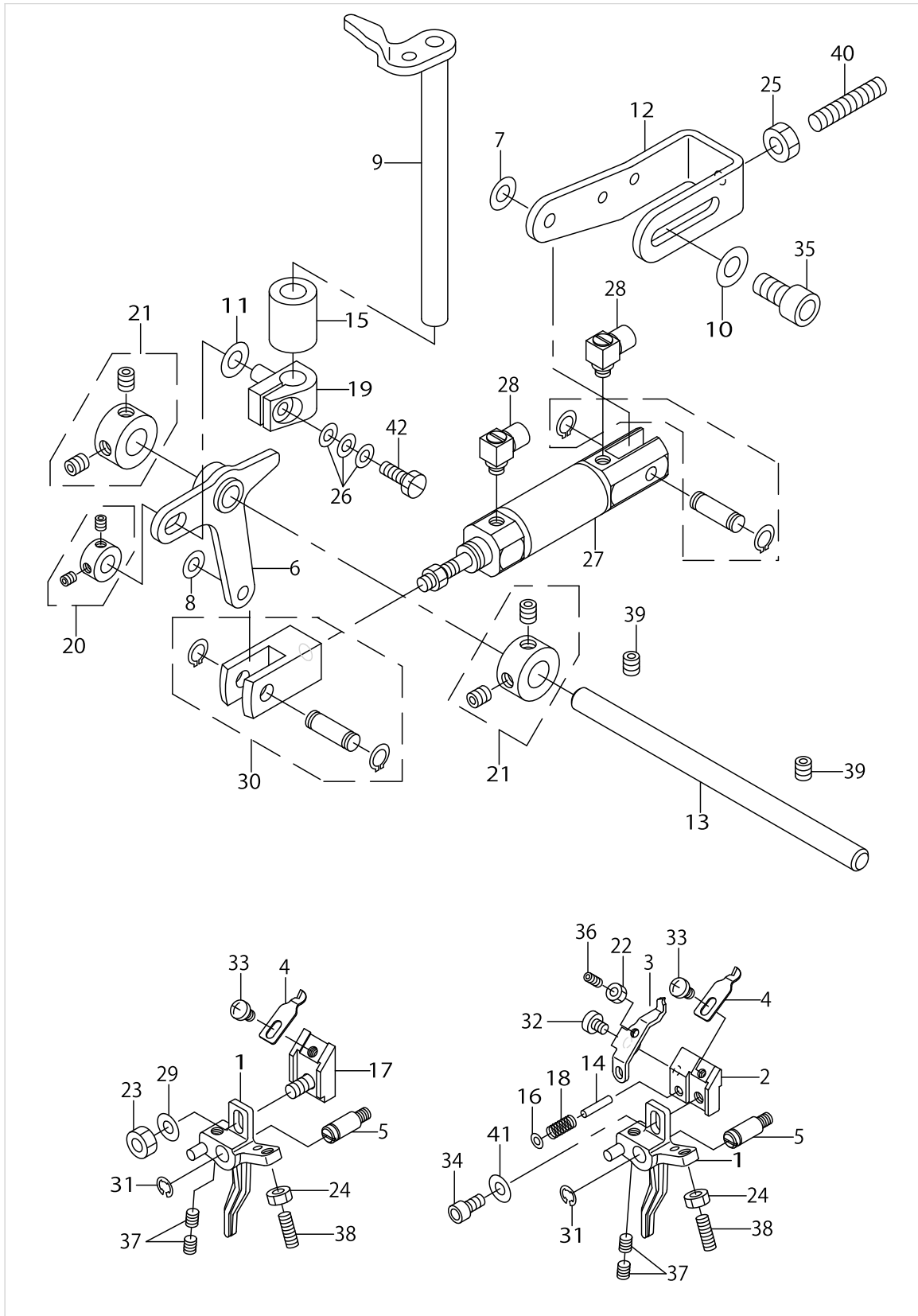
LOWER THREAD CUTTING COMPONENTS (3) (FOR MEB-3200TS, TA)



LOWER THREAD CUTTING COMPONENTS (3) (FOR MEB-3200TS, TA)

No.	Supply Code	Parts No.	Replacement	Parts name	Remarks	Choice	Step	Level	Cons	Qty	Rep. QTY
1		32016008		CUTTING KNIFE MOVING ARM, T						1	
2		32016107		LOWER THREAD CUTTING KNIFE, T					☆	1	
3		40018894		LOWER THREAD HOLDER T ASM.						1	
4		32016206		LOWER THREAD HOLDER, T				*		1	
5		32016305		THREAD HOLDER FITTING BKT., T				*		1	
6		32016503		PIN, T				*		1	
7		10507200		PIN				*		1	
8		40009222		PRESSER PLATE ADJUSTING SPRING				*		1	
9		NM6040001SC		NUT M4				*		1	
10		SM8040802TP		SCREW M4X8				*		1	
11		WP0320500SC		WASHER M3				*		1	
12		32016404		THREAD HOLDER FULCRUM BKT., T						1	
13		32016602		SPRING RACK, T						1	
14		32016701		SPRING, T						1	
15		NM6040003SC		NUT M4						1	
16		RE0400000K0		E-RING 4						1	
17		SD0500456TP		HINGE SCREW						1	
18		SM4030455SN		SCREW						1	
19		SM6040802TP		SCREW M4X0.7 L=8						1	
20		SM8040412TP		SET SCREW M4 L=4						2	
21		32015109		SPRING						1	
22		SM8041012TP		SCREW M4 L=10						1	
23		SM8041402TP		SCREW M4X0.7 L=14						1	
24		32023400		FULCRUM SHAFT						1	
25		WP0430800SD		WASHER M4						2	
26		WP0450801SP		WASHER						1	
27		NM6040003SC		NUT M4						1	
28		NM6040001SC		NUT M4						1	

UPPER THREAD CUTTING COMPONENTS

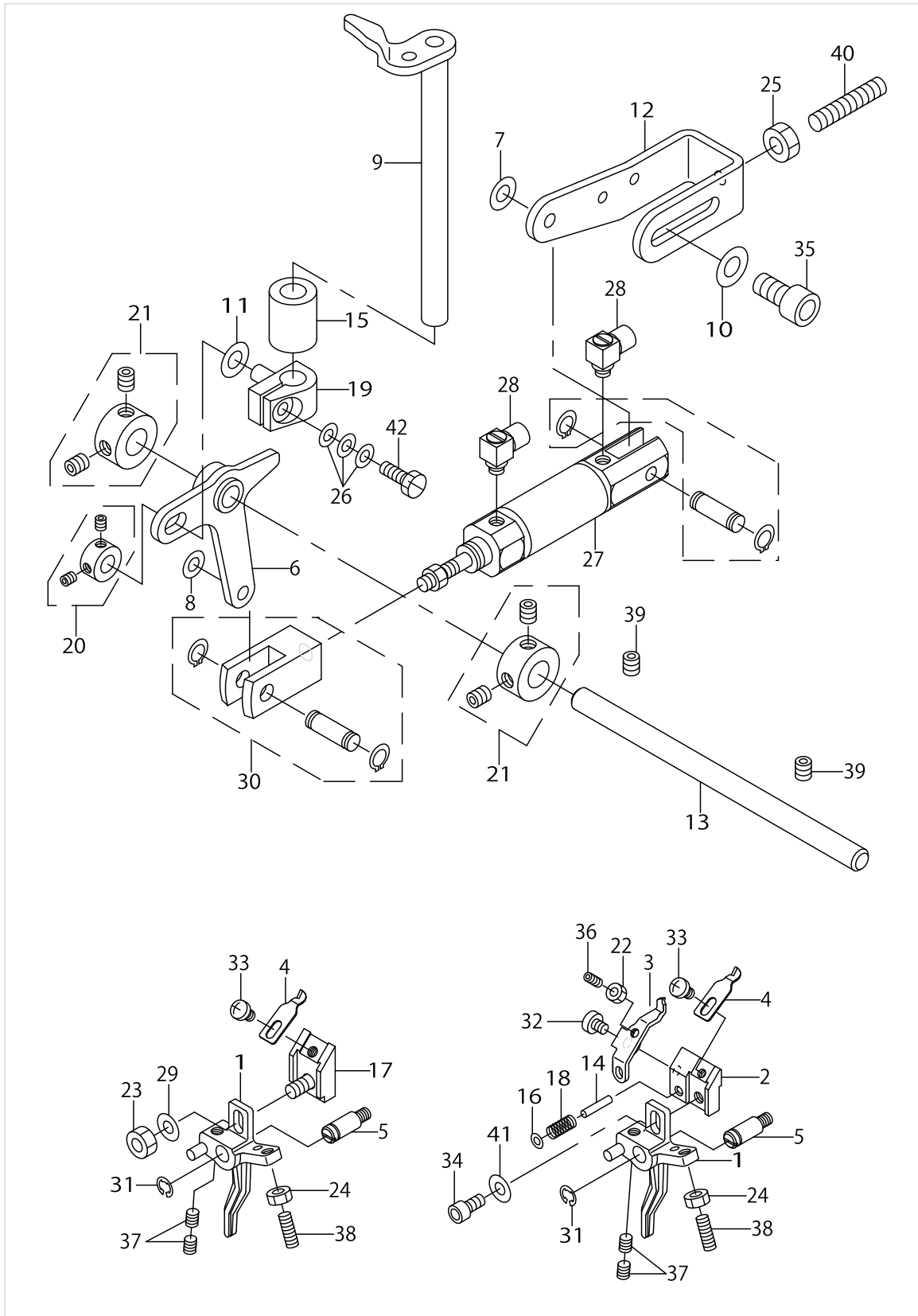


UPPER THREAD CUTTING COMPONENTS

No.	Supply Code	Parts No.	Replacement	Parts name	Remarks	Choice	Step	Level	Cons	Qty	Rep. QTY
1		32023004		CUTTING KNIFE MOVING ARM						2	
2		32023103		ADJUST BASE, J	FOR MEB-- 3200JS,CS,JA,CA					1	
3		32023210		LOWER THREAD HOLDER	FOR MEB-- 3200JS,CS,JA,CA					1	
4		32023319		THREAD CUTTING KNIFE	FOR MEB-- 3200JS,CS,JA,CA				☆	2	
5		32023400		FULCRUM SHAFT						2	
6		32023558		LINK ASM.						1	
7		WP0553216SD		WASHER						1	
8		WP0612516SD		WASHER 6.1X15.2X2.5						1	
9		32023756		VERTICAL MOVING ARM ASM.						1	
10		WP0621046SP		WASHER						2	
11		WP0651056SH		WASHER 6.5X11X1						1	
12		32023905		CYLINDER FITTING BASE						1	
13		32024002		THREAD TRIMMER SHAFT						1	
14		10507200		PIN	FOR MEB-- 3200JS,CS,JA,CA					1	
15		12118709		ROCKER SHAFT METAL						1	
16		WP0320500SC		WASHER M3	FOR MEB-- 3200JS,CS,JA,CA					1	
17		14050157		KNIFE ADJUSTING BASE ASM.	EXCEPT M- EB-3200J- S,CS,JA,CA					1	
18		40009222		PRESSER PLATE A- DJUSTING SPRING	FOR MEB-- 3200JS,CS,JA,CA					1	
19		B4105522000		KNIFE DRIVING STU- D CONNECTION						1	
20		CS0640860SH		THRUST COLLAR ASM. D=6.35 W=8						1	
21		CS080081CSH		THRUST COLLAR ASM. D=8.0 W=8						2	
22		NM6030003SC		NUT M3	FOR MEB-- 3200JS,CS,JA,CA					1	
23		NM6040000SN		NUT M4	EXCEPT M- EB-3200J- S,CS,JA,CA					1	
24		NM6040003SC		NUT M4						2	
25		NM6050001SP		NUT M5						1	
26		WP0371036SD		WASHER 3.7X6X1						3	
27		PA1601525A0		AIR CYLINDER						1	
28		PJ046052503		HOSE ELBOW						2	
29		WP0450801SP		WASHER	EXCEPT M- EB-3200J- S,CS,JA,CA					1	
30		PX500020000		KNUCKLE JOINT						1	
31		RE0400000K0		E-RING 4						1	
32		SD0400161TP		HINGE SCREW	FOR MEB-- 3200JS,CS,JA,CA					1	
33		SM4030455SN		SCREW						2	
34		SM6040802TP		SCREW M4X0.7 L=8	FOR MEB-- 3200JS,CS,JA,CA					1	
35		SM6061202TP		SCREW M6 L=12						2	
36		SM8030502TP		SCREW M3 L=5	FOR MEB-- 3200JS,CS,JA,CA					1	
37		SM8040412TP		SET SCREW M4 L=4						2	
38		SM8041012TP		SCREW M4 L=10						2	
39		SM8050612TP		SCREW M5X6						2	



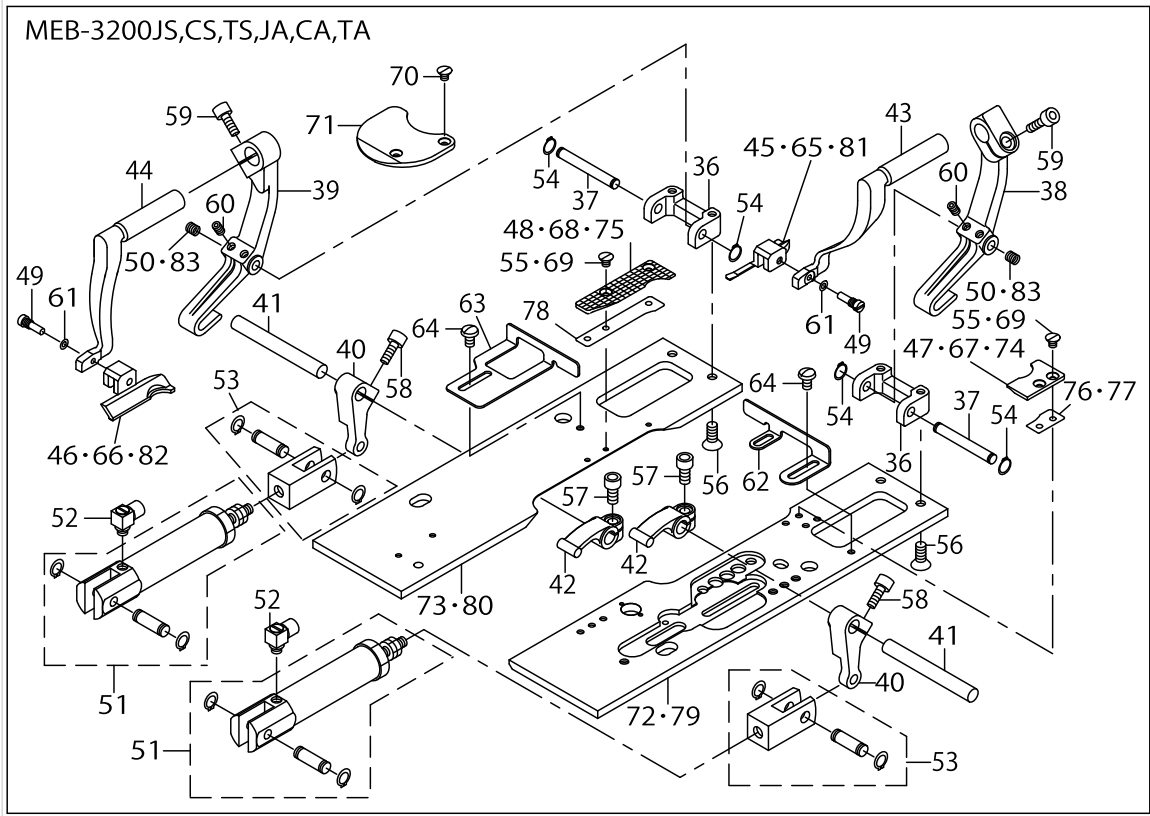
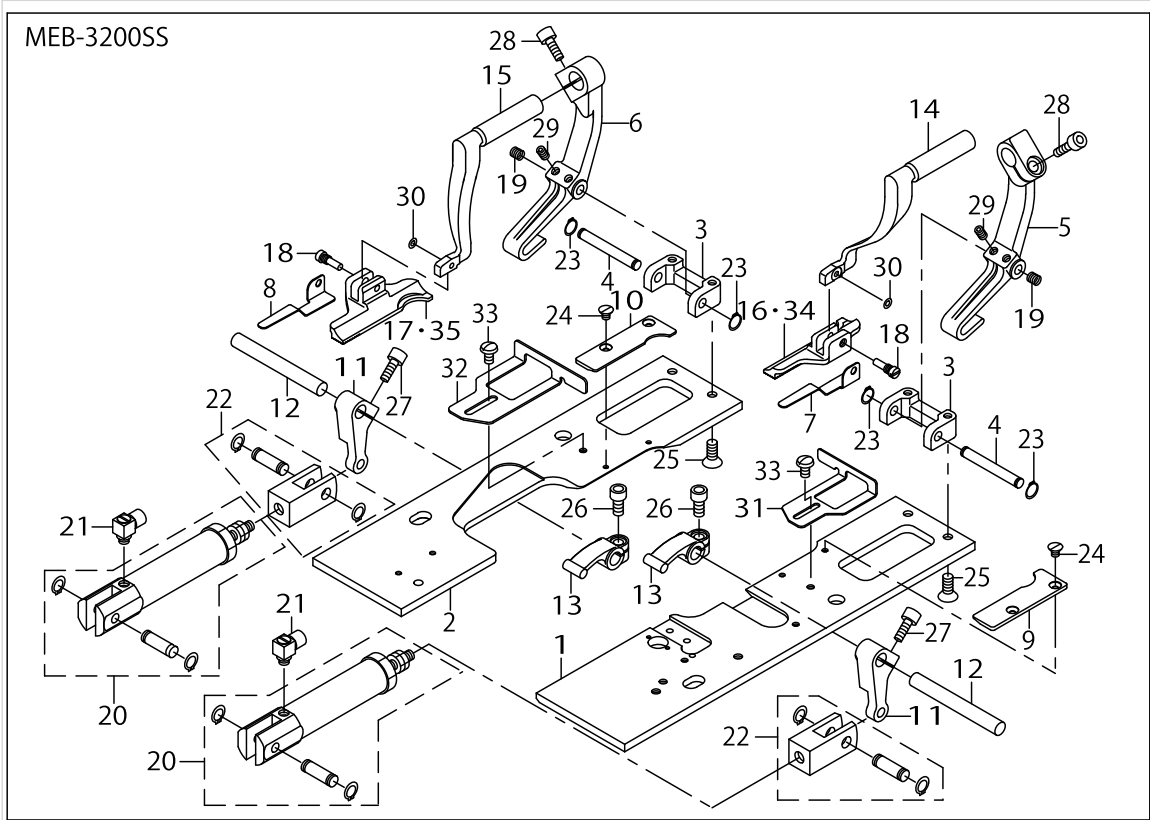
UPPER THREAD CUTTING COMPONENTS



UPPER THREAD CUTTING COMPONENTS

No.	Supply Code	Parts No.	Replacement	Parts name	Remarks	Choice	Step	Level	Cons	Qty	Rep. QTY
40		SM8052502TP		SCREW M5X0.8 L=25	FOR MEB-- 3200JS,CS,JA,CA					1	
41		WP0450801SP		WASHER						1	
42		SS9091010SP		SCREW 9/64-40 L=10						1	

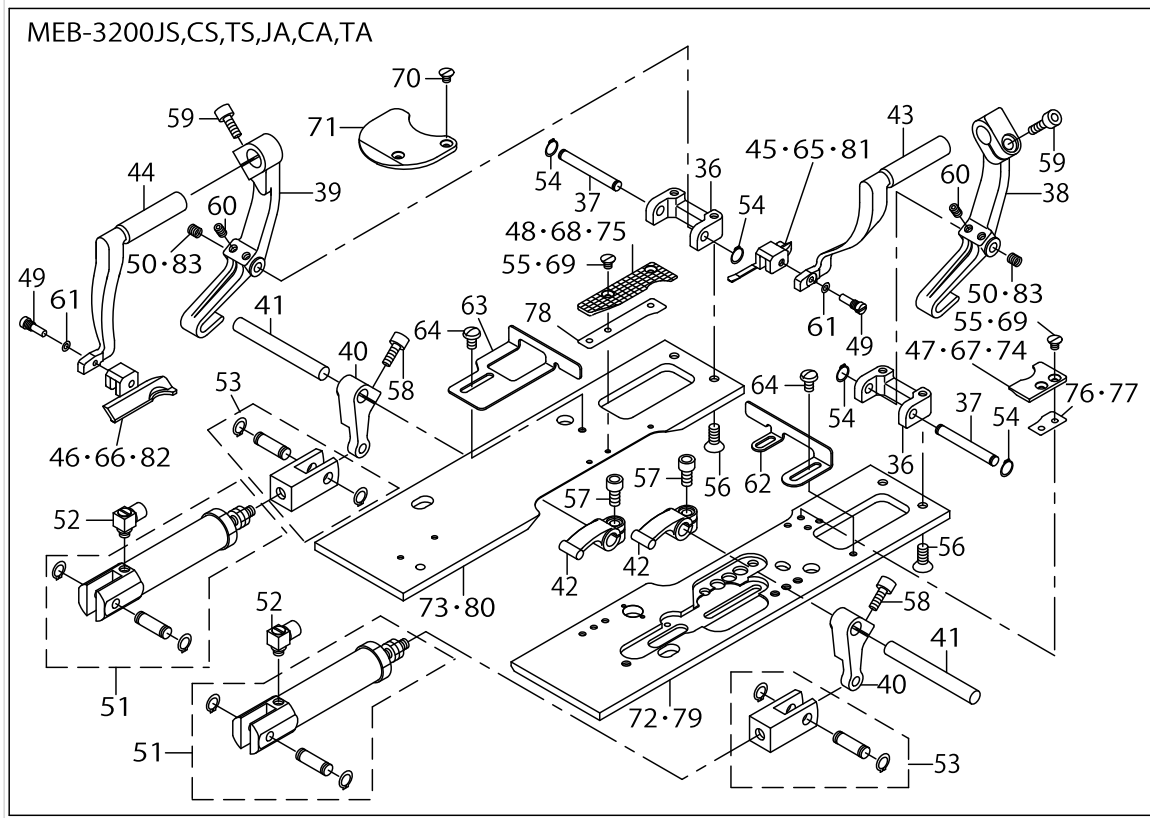
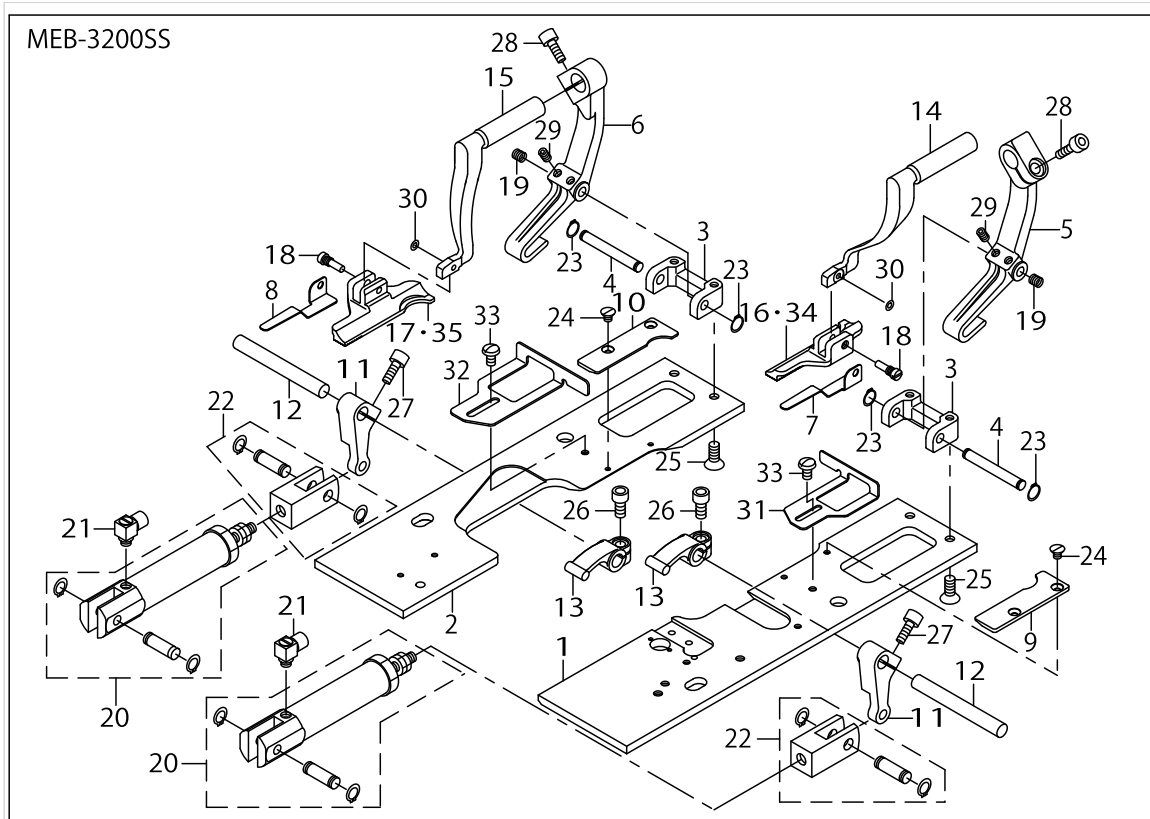
PRESSER COMPONENTS (1) (FOR MEB-3200SS, JS, CS, TS, JA, CA, TA)



PRESSER COMPONENTS (1) (FOR MEB-3200SS, JS, CS, TS, JA, CA, TA)

No.	Supply Code	Parts No.	Replacement	Parts name	Remarks	Choice	Step	Level	Cons	Qty	Rep. QTY
1		32026007		PRESSER PLATE, RIGHT	FOR MEB-3200SS					1	
2		32026106		PRESSER PLATE, LEFT	FOR MEB-3200SS					1	
3		32026205		ARM INSTALLING BASE						2	
4		32026304		FULCRUM SHAFT						2	
5		32026403		PRESSER ARM BASE, RIGHT						1	
6		32026502		PRESSER ARM BASE, LEFT						1	
7		32026809		AUXILIARY PRESSER PLATE, RIGHT	FOR MEB-- 3200SS(EX- CEPT CHINA)					1	
8		32026908		AUXILIARY PRESSER PLATE, LEFT	FOR MEB-- 3200SS(EX- CEPT CHINA)					1	
9		32027005		HOLDING PLATE, RIGHT	FOR MEB-3200SS					1	
10		32027104		HOLDING PLATE, LEFT	FOR MEB-3200SS					1	
11		32027203		PRESSER LEVER MOVING ARM						2	
12		32027401		PRESSER LEVER SHAFT						2	
13		32027500		PRESSER LEVER						2	
14		32028003		PRESSERARM,RIGHT						1	
15		32028102		PRESSER ARM, LEFT						1	
16		14010003		PRESSER FOOT (RIGHT) 40MM	FOR MEB-3200SS					1	
17		14010102		PRESSER FOOT (LEFT) 40MM	FOR MEB-3200SS					1	
18		14010508		PRESSER FOOT AT- TACHING SCREW						2	
19		21057500		HOOK COUNTER SPRING						2	
20		PA1602011A0		AIR CYLINDER						2	
21		PJ046052503		HOSE ELBOW						2	
22		PX500020000		KNUCKLE JOINT						2	
23		RC0470611KP		RETAINING RING 4.7						4	
24		SM1030400SP		SCREW M3 L=4						4	
25		SM1041001SP		SCREW M4X0.7 L=10						4	
26		SM6040802TP		SCREW M4X0.7 L=8						2	
27		SM6041202TP		SCREW M4X0.7 L=12						2	
28		SM6051002TN		BOLT						2	
29		SM8040612TP		SCREW M4 L=6						4	
30		WZ0320290UZ		WASHER 3.2X6.5X0.15						2	
31		32027609		VERTICAL GUIDE, RIGHT	FOR MEB-3200SS					1	
32		32027708		VERTICAL GUIDE, LEFT	FOR MEB-3200SS					1	
33		SS5090610SP		SCREW 9/64-40 L=6	FOR MEB-3200SS					2	
34		32028607		PRESSER FOOT, RIGHT M	FOR MEB-- 3200SS(CHINA)					1	
35		32028706		PRESSER FOOT, LEFT M	FOR MEB-- 3200SS(CHINA)					1	
36		32026205		ARM INSTALLING BASE						2	
37		32026304		FULCRUM SHAFT						2	
38		32026403		PRESSER ARM BASE, RIGHT						1	
39		32026502		PRESSER ARM BASE, LEFT						1	
40		32027203		PRESSER LEVER MOVING ARM						2	
41		32027401		PRESSER LEVER SHAFT						2	
42		32027500		PRESSER LEVER						2	
43		32028003		PRESSERARM,RIGHT						1	

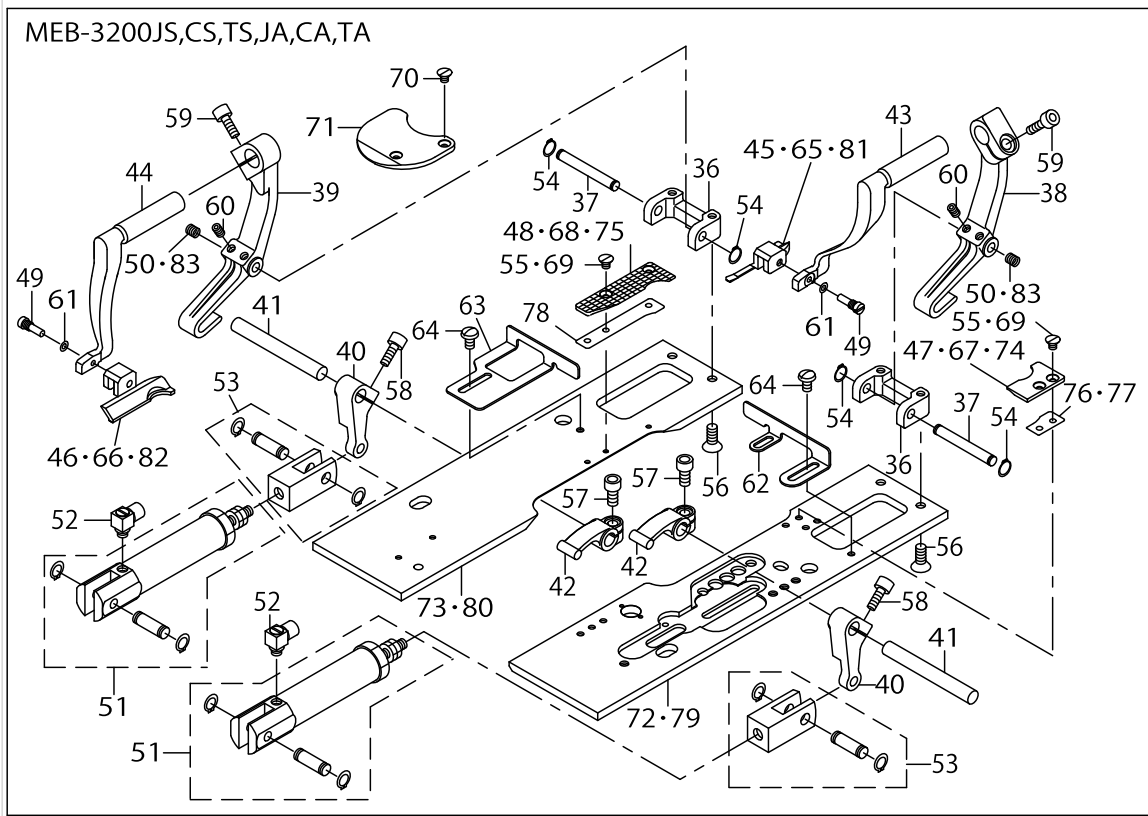
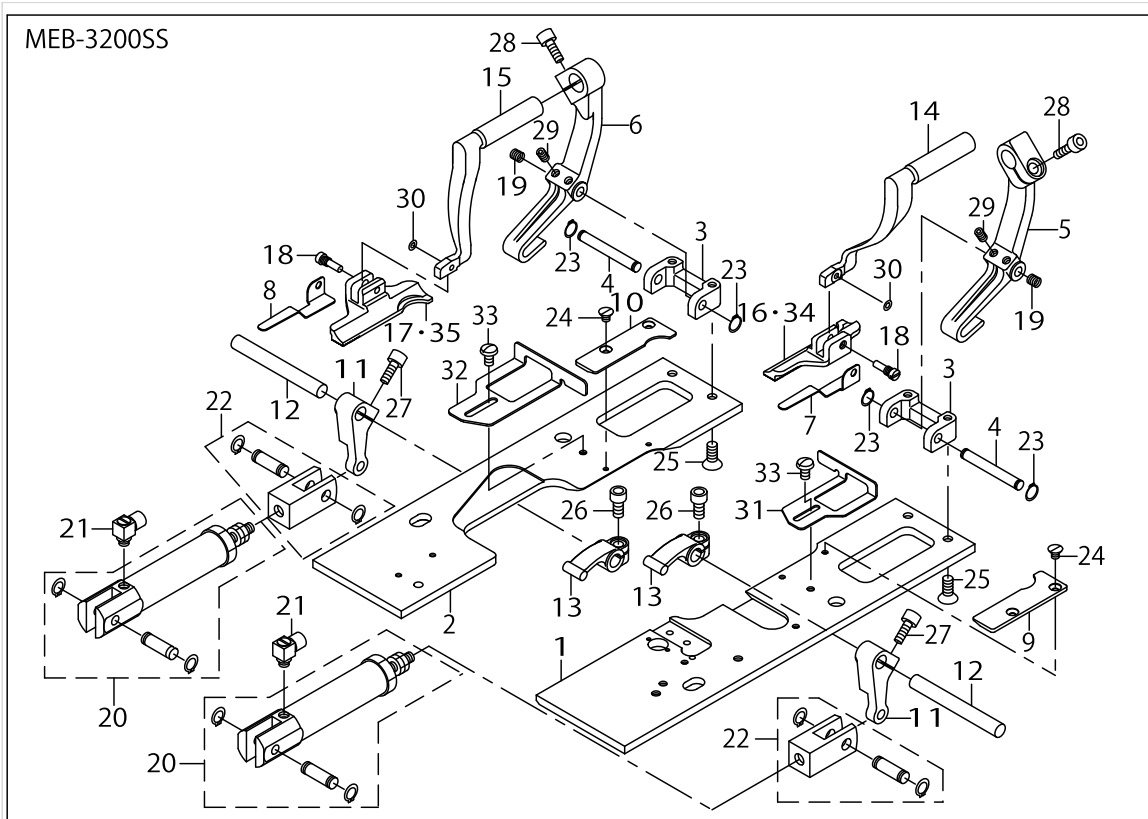
PRESSER COMPONENTS (1) (FOR MEB-3200SS, JS, CS, TS, JA, CA, TA)



PRESSER COMPONENTS (1) (FOR MEB-3200SS, JS, CS, TS, JA, CA, TA)

No.	Supply Code	Parts No.	Replacement	Parts name	Remarks	Choice	Step	Level	Cons	Qty	Rep. QTY
44		32028102		PRESSER ARM, LEFT						1	
45		32028607		PRESSER FOOT, RIGHT M	FOR MEB-- 3200JS(EX- CEPT JE),JA					1	
46		32028706		PRESSER FOOT, LEFT M	FOR MEB-- 3200JS(EX- CEPT JE),JA					1	
47		32028805		HOLDING PLATE, J RIGHT M	FOR MEB-- 3200JS,JA					1	
48		32028912		HOLDING PLATE, J LEFT M	FOR MEB-- 3200JS,JA					1	
49		14010508		PRESSER FOOT AT- TACHING SCREW						2	
50		21057500		HOOK COUNTER SPRING	FOR MEB-- 3200JS(EX- CEPT JE),JA					2	
51		PA1602011A0		AIR CYLINDER						2	
52		PJ046052503		HOSE ELBOW						2	
53		PX500020000		KNUCKLE JOINT						2	
54		RC0470611KP		RETAINING RING 4.7						4	
55		SM1030400SP		SCREW M3 L=4	EXCEPT M- EB-3200TS,TA					4	
56		SM1041001SP		SCREW M4X0.7 L=10						4	
57		SM6040802TP		SCREW M4X0.7 L=8						2	
58		SM6041202TP		SCREW M4X0.7 L=12						2	
59		SM6051002TN		BOLT						2	
60		SM8040612TP		SCREW M4 L=6						4	
61		WZ0320290UZ		WASHER 3.2X6.5X0.15						2	
62		32029209		VERTICAL GUIDE, RIGHT J	FOR MEB-- 3200JS,TS,JA,TA					1	
63		32029308		VERTICAL GUIDE, LEFT J	FOR MEB-- 3200JS,TS,JA,TA					1	
64		SS5090610SP		SCREW 9/64-40 L=6	FOR MEB-- 3200JS,TS,JA,TA					3	
65		32028201		COMPENSATING FOOT, RIGHT S	FOR MEB-- 3200CS,TS,CA,TA					1	
66		32028300		COMPENSATING FOOT, LEFT S	FOR MEB-- 3200CS,TS,CA,TA					1	
67		32028409		HOLDING PLATE,J RIGHT S	FOR MEB-- 3200CS,CA					1	
68		32028516		HOLDING PLATE,J LEFT S	FOR MEB-- 3200CS,CA					1	
69		SM1030400SP		SCREW M3 L=4	FOR MEB-- 3200TS,TA					6	
70		SM1030400SP		SCREW M3 L=4	FOR MEB-- 3200TS,TA					2	
71		32029704		PRESSER PLATE UPPER COVER	FOR MEB-- 3200TS,TA					1	
72		32029803		PRESSER PLATE,T RIGHT	FOR MEB-- 3200TS,TA					1	
73		32029902		PRESSER PLATE,T LEFT	FOR MEB-- 3200TS,TA					1	
74		14011407		HOLDING PLATE (RIGHT)	FOR MEB-- 3200TS,TA					1	
75		14011506		HOLDING PLATE (LEFT)	FOR MEB-- 3200TS,TA					1	
76		40015997		HOLDING PLATE SPACER RIGHT S	FOR MEB-- 3200CS,CA					1	
77		40015998		HOLDING PLATE S- PACER RIGHT M	FOR MEB-- 3200JS,JA					1	
78		40016000		HOLDING PLATE SPACER LEFT	FOR MEB-- 3200JS,CS,JA,CA					1	

PRESSER COMPONENTS (1) (FOR MEB-3200SS, JS, CS, TS, JA, CA, TA)

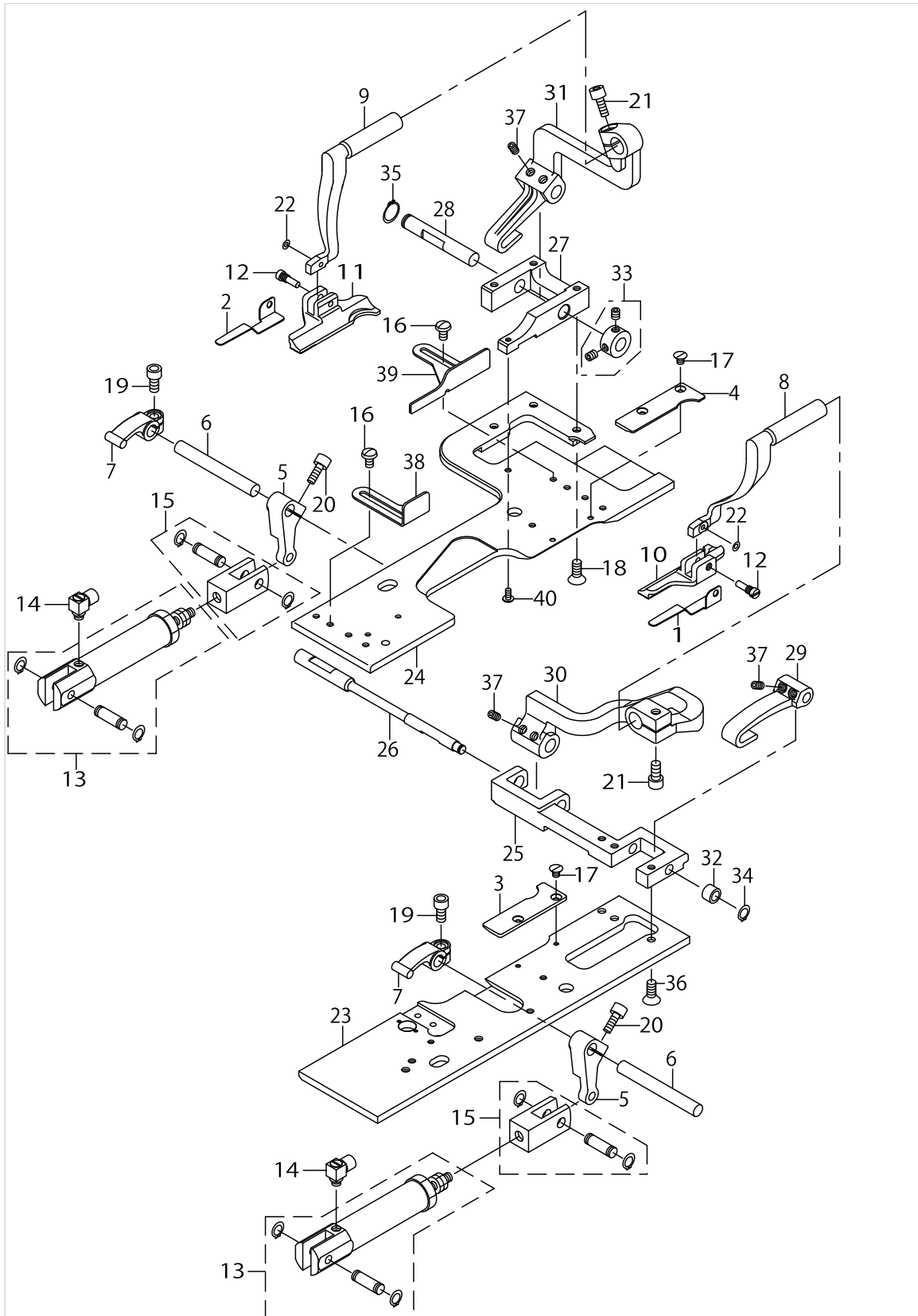


PRESSER COMPONENTS (1) (FOR MEB-3200SS, JS, CS, TS, JA, CA, TA)

No.	Supply Code	Parts No.	Replacement	Parts name	Remarks	Choice	Step	Level	Cons	Qty	Rep. QTY
79		32027807		PRESSER PLATE J, RIGHT	FOR MEB-- 3200JS,JA					1	
80		32027906		PRESSER PLATE J, LEFT	FOR MEB-- 3200JS,JA					1	
81		40035238		PRESSER FOOT RIGHT W(M)	FOR MEB-- 3200JS(JE)					1	
82		40035239		PRESSER FOOT LEFT W(M)	FOR MEB-- 3200JS(JE)					1	
83		21057500		HOOK COUNTER SPRING	FOR MEB-- 3200JS(JE)					4	



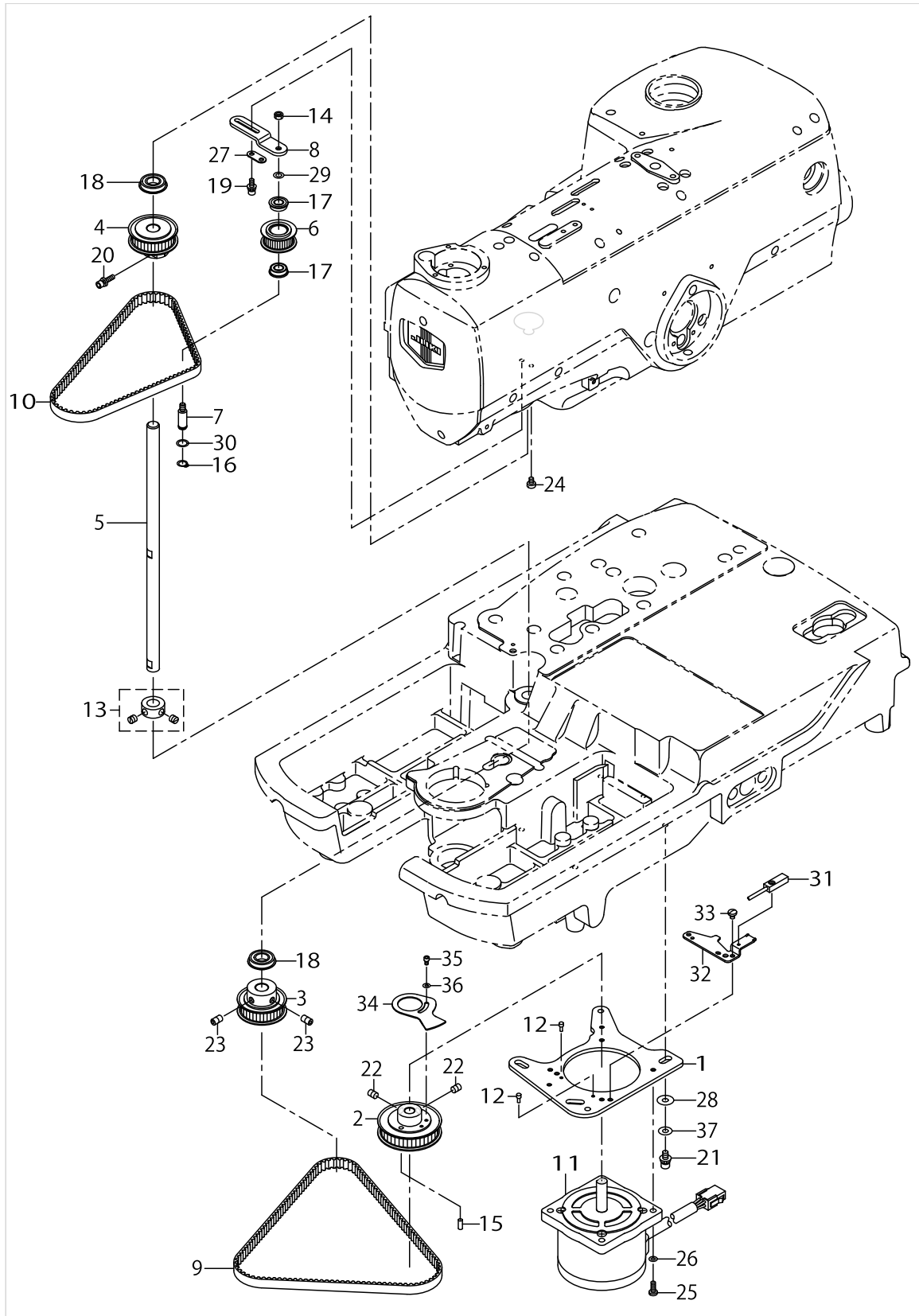
PRESSER COMPONENTS (2) (FOR MEB-3200RS)



PRESSER COMPONENTS (2) (FOR MEB-3200RS)

No.	Supply Code	Parts No.	Replacement	Parts name	Remarks	Choice	Step	Level	Cons	Qty	Rep. QTY
1		32026809		AUXILIARY PRESSER PLATE, RIGHT						1	
2		32026908		AUXILIARY PRESSER PLATE, LEFT						1	
3		32027005		HOLDING PLATE, RIGHT						1	
4		32027104		HOLDING PLATE, LEFT						1	
5		32027203		PRESSER LEVER MOVING ARM						2	
6		32027401		PRESSER LEVER SHAFT						2	
7		32027500		PRESSER LEVER						2	
8		32028003		PRESSER ARM, RIGHT						1	
9		32028102		PRESSER ARM, LEFT						1	
10		14010003		PRESSER FOOT (RIGHT) 40MM						1	
11		14010102		PRESSER FOOT (LEFT) 40MM						1	
12		14010508		PRESSER FOOT ATTACHING SCREW						2	
13		PA1602011A0		AIR CYLINDER						2	
14		PJ046052503		HOSE ELBOW						2	
15		PX500020000		KNUCKLE JOINT						2	
16		SS5090610SP		SCREW 9/64-40 L=6						4	
17		SM1030400SP		SCREW M3 L=4						4	
18		SM1041001SP		SCREW M4X0.7 L=10						3	
19		SM6040802TP		SCREW M4X0.7 L=8						2	
20		SM6041202TP		SCREW M4X0.7 L=12						2	
21		SM6051002TN		BOLT						2	
22		WZ0320290UZ		WASHER 3.2X6.5X0.15						2	
23		32031007		PRESSER PLATE, RIGHT						1	
24		32031106		PRESSER PLATE, LEFT						1	
25		32031205		ARM INSTALLING BASE, RIGHT						1	
26		32031304		ARM BASE SHAFT, RIGHT						1	
27		32031502		ARM INSTALLING BASE, LEFT						1	
28		32031601		ARM BASE SHAFT, LEFT						1	
29		32031700		MOVING ARM						1	
30		32031809		PRESSER ARM BASE, RIGHT						1	
31		32031908		PRESSER ARM BASE, LEFT						1	
32		11041100		ROLLER						1	
33		CS080081BSH		THRUST COLLAR ASM. D=8.0 W=8						1	
34		RC0470611KP		RETAINING RING 4.7						1	
35		RC0740811KP		C-RING						1	
36		SM5040855SN		SCREW						3	
37		SM8050412TP		SCREW M5 L=4						6	
38		32032104		GUIDE, FRONT						1	
39		32032203		GUIDE, REAR						1	
40		SM0030601SC		SCREW M3X0.5 L=6						1	

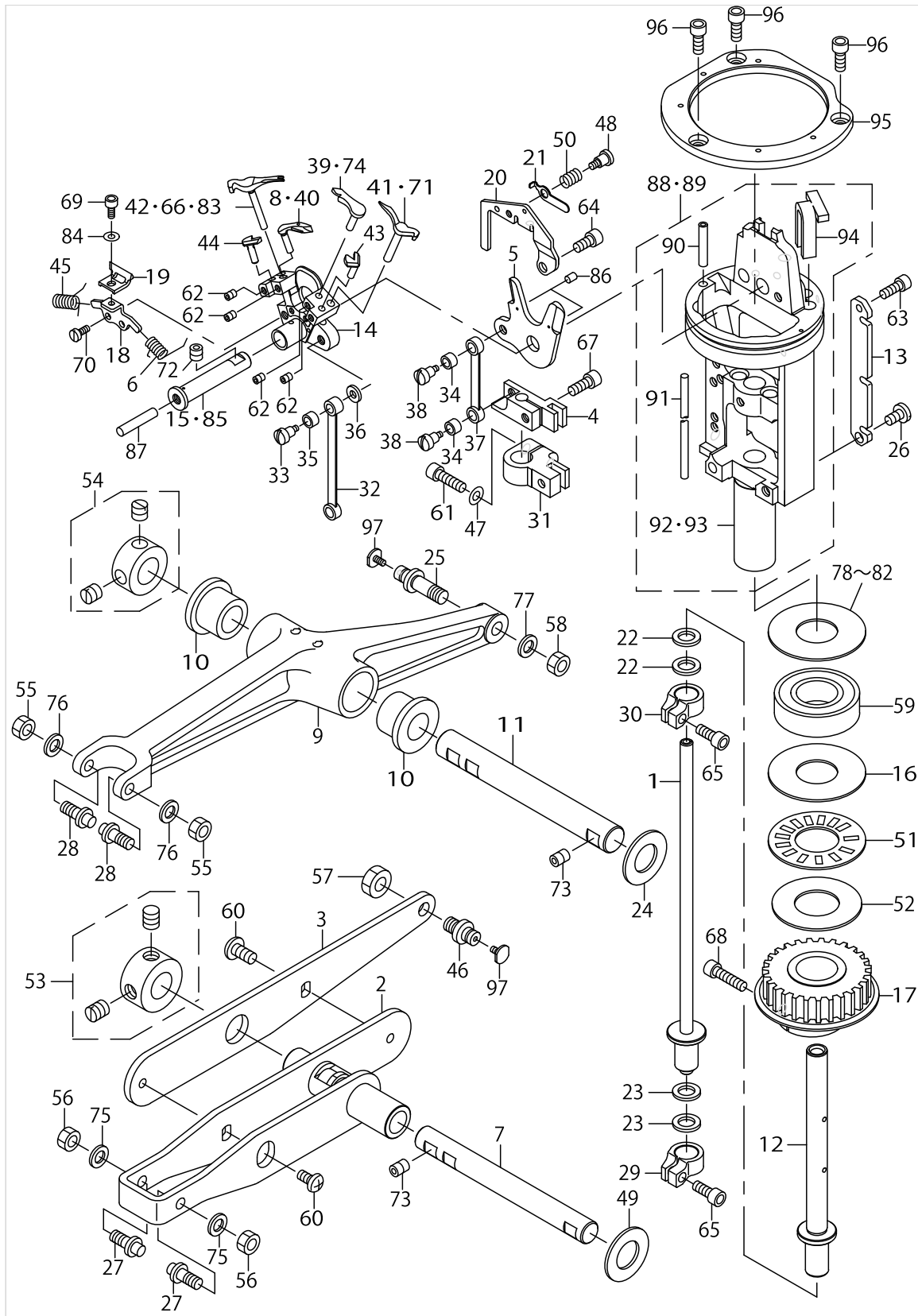
REVOLUTION COMPONENTS



REVOLUTION COMPONENTS

No.	Supply Code	Parts No.	Replacement	Parts name	Remarks	Choice	Step	Level	Cons	Qty	Rep. QTY
1		32034001		REVOLUTION MOTOR BRACKET						1	
2		32034308		REVOLUTION MOTOR PULLEY						1	
3		32034407		CONNECTING PULLEY, L						1	
4		32034506		CONNECTING PULLEY, U						1	
5		32034605		CONNECTING SHAFT						1	
6		32034704		TENSION PULLEY						1	
7		32034803		TENSION PULLEY SHAFT						1	
8		32034902		TENSION PULLEY BRACKET						1	
9		32035008		TIMING BELT, L					☆	1	
10		32035107		TIMING BELT, U					☆	1	
11		KM000000330		PULSE MOTOR						1	
12		B1816280000		GUIDE PIN						2	
13		CS1201010SH		THRUST COLLAR ASM. D=12 W=10						1	
14		NM6050003SC		NUT M5X0.8						1	
15		PH0400105S0		PIN 4.0X10						1	
16		RC0740816K0		RETAINING RING						1	
17		SB108000200		SIDE BEARING						2	
18		SB112000600		BEARING						2	
19		SM6041202TP		SCREW M4X0.7 L=12						2	
20		SM6041602TP		SCREW M4X0.7 L=16						1	
21		SM6051202TP		SCREW M5X0.8 L=12						4	
22		SM8060812TP		SCREW M6 L=8						2	
23		SM8060812TP		SCREW M6 L=8						2	
24		SS6110610TP		SCREW 11/64-40 L=6						1	
25		SS7111120TP		SCREW						4	
26		WP0430800SD		WASHER M4						4	
27		32035206		REVOLUTION TENSION BRACKET						1	
28		WP0561616SC		WASHER 5.6X16X1.6						4	
29		WP0550800SP		WASHER 5.5X10X0.8						1	
30		WP0820516SP		WASHER 11.6X8.2X0.6						1	
31	R	32077059	40044972	HOME POSITION SENSOR ASM.		A				1	1.00
31	R	32077059	40044974	HOME POSITION SENSOR ASM.		A				1	1.00
31	R	32077059	40044975	HOME POSITION SENSOR ASM.		A				1	1.00
31	R	32077059	40044973	HOME POSITION SENSOR ASM.		A				1	1.00
32	R	32077109	40044975	SENSOR BRACKET		A				1	1.00
32	R	32077109	40044974	SENSOR BRACKET		A				1	1.00
32	R	32077109	40044972	SENSOR BRACKET		A				1	1.00
32	R	32077109	40044973	SENSOR BRACKET		A				1	1.00
33		SS7110510SP		SCREW 11/64-40 L=5						2	
34		32077208		SENSOR SLIT						1	
35		SM6031002TP		HEXAGONAL BOLT M3 X 10						2	
36		WP0320501SC		WASHER M3						2	
37		WP0551016SH		WASHER 5.5X13X1						4	

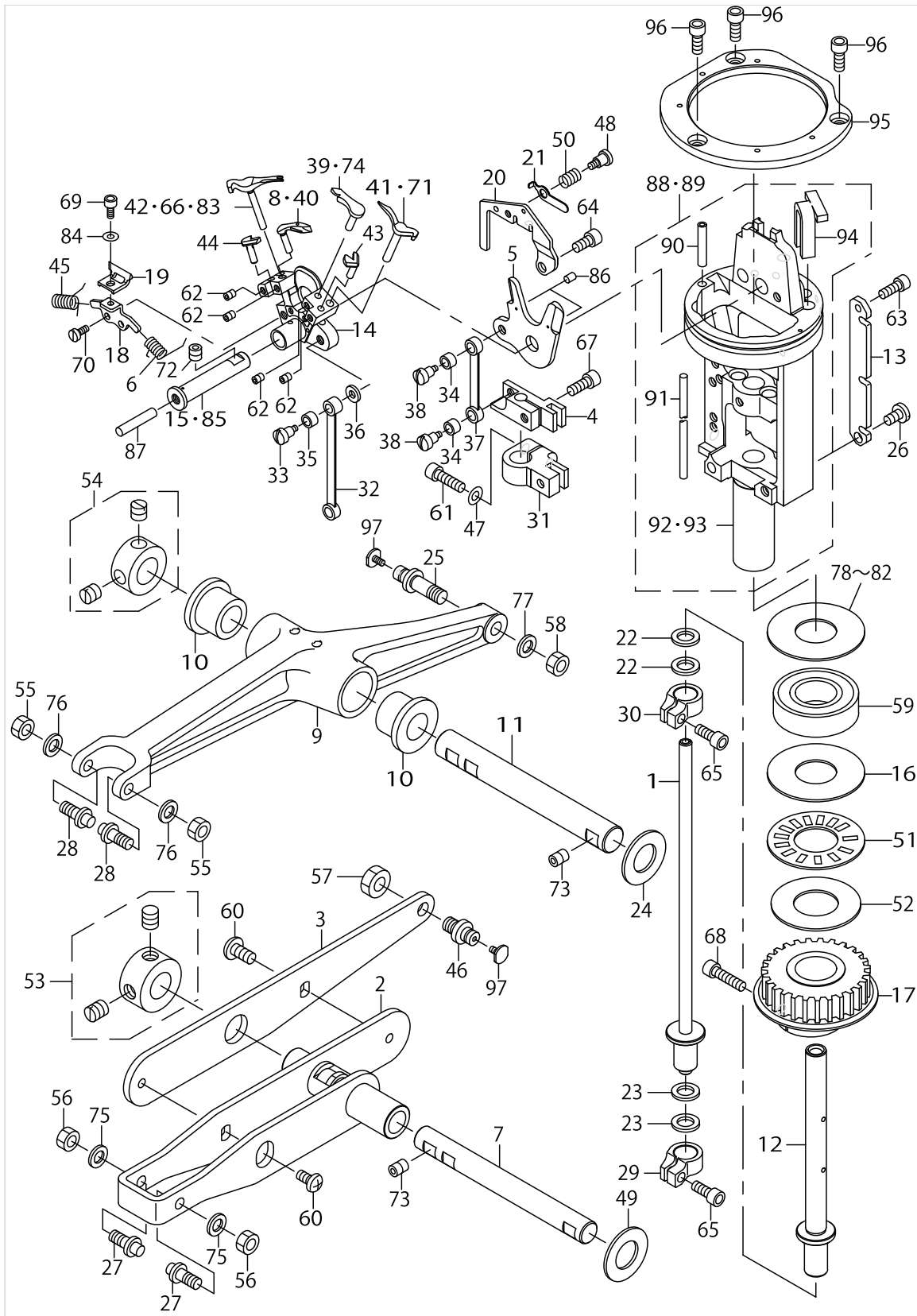
# LOOPER DRIVING COMPONENTS



LOOPER DRIVING COMPONENTS

No.	Supply Code	Parts No.	Replacement	Parts name	Remarks	Choice	Step	Level	Cons	Qty	Rep. QTY
1		32038051		SPREADER DRIVING SHAFT COMPLE.						1	
2		32038259		DRIVING ARM, A COMPLE.						1	
3		32038408		SPREADER DRIVING ARM, B						1	
4		32038507		SPREADER DRIVING SHAFT GUIDE						1	
5		32038614		CAM					☆	1	
6		32038705		SPREADER SPRING (RIGHT)					☆	1	
7		32038804		FULCRUM SHAFT						1	
8		32040800		LOOPER, LEFT	EXCEPT M-EB-3200J-S(USE IN JAPAN), ME-B-3200JA(-USE IN JAPAN)				☆	1	
9		32039109		LOOPER DRIVING ARM						1	
10		32039208		LOOPER DRIVING ARM METAL						2	
11		32039307		FULCRUM SHAFT						1	
12		40097980		LOOPER DRIVING SHAFT						1	
13		32039505		GUIDE PLATE						1	
14		32039604		LOOPER FITTING BASE					☆	1	
15		32039703		FULCRUM SHAFT	EXCEPT M-EB-3200TS,TA					1	
16		32039802		LOOPER BRACKET SPACER A						1	
17		32039901		LOOPER REVOLUTION PULLEY						1	
18		32040008		NEEDLE PLATE SUPPORT						1	
19		32040115		NEEDLE PLATE					☆	1	
20		32040206		GIMP GUIDE	EXCEPT M-EB-3200TS,TA					1	
21		32040305		PRESSER PLATE	EXCEPT M-EB-3200TS,TA					1	
22		10112704		THRUST WASHER 1.8						2	
23		10112704		THRUST WASHER 1.8						2	
24		13887005		THRUST WASHER						1	
25		40099924		LOOPER CAM ROLLER PIN						1	
26		SS7110710SP		SCREW 11/64-40 L=7	FOR MEB--3200JS,CS,JA,CA					1	
27		14028302		LOOPER DRIVING FORK SHAFT						2	
28		14028302		LOOPER DRIVING FORK SHAFT						2	
29		14028708		LOOPER DRIVING SHAFT COLLAR						1	
30		14028708		LOOPER DRIVING SHAFT COLLAR						1	
31		40097981		LOOPER DRIVING SHAFT GUIDE						1	
32		14029755		LOOPER DRIVING ROD ASM.						1	
33		14029904		SCREW						2	
34		14030001		LOOPER DRIVE BUSHING						2	
35		14030001		LOOPER DRIVE BUSHING						2	
36		14030100		WASHER						2	
37		14030506		SPREADER DRIVING ROD						1	
38		14030605		SCREW						2	
39		14030803		LOOPER, RIGHT					☆	1	
40		14030902		LOOPER, LEFT					☆	1	
41		14031017		SPREADER, RIGHT					☆	1	

# LOOPER DRIVING COMPONENTS

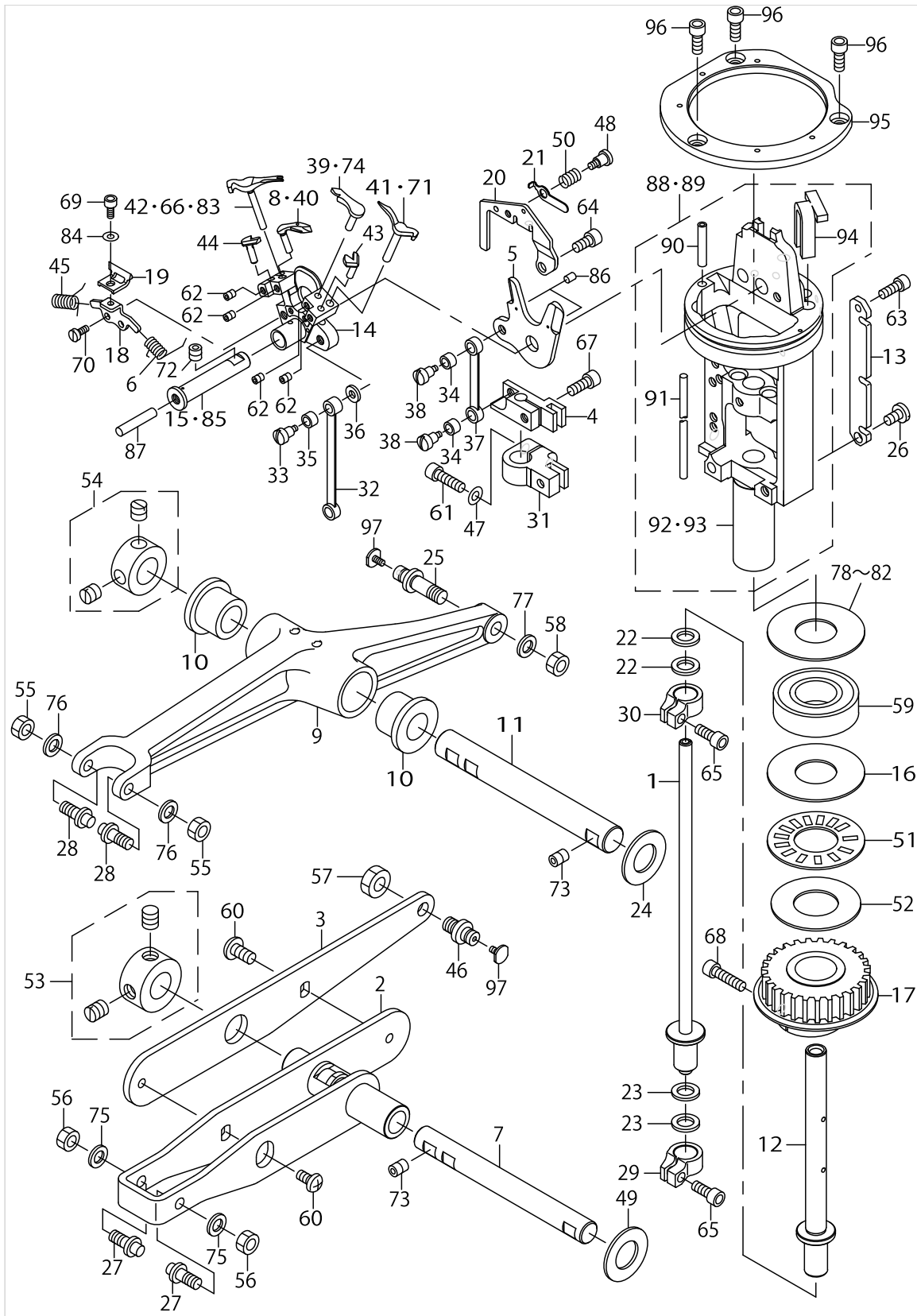


LOOPER DRIVING COMPONENTS

No.	Supply Code	Parts No.	Replacement	Parts name	Remarks	Choice	Step	Level	Cons	Qty	Rep. QTY
42		14031116		SPREADER, LEFT	FOR MEB--3200JS(USE IN JAPAN), MEB-3200-JA(USE IN JAPAN)				☆	1	
43		40015693		SPREADER STOPPER RIGHT					☆	1	
44		40015692		SPREADER STOPPER LEFT					☆	1	
45		14032403		SPREADER SPRING, LEFT					☆	1	
46		40099925		SPREADER CAM ROLLER PIN						1	
47		WP0410846SC		WASHER						1	
48		14044903		SCREW	EXCEPT M-EB-3200TS,TA					1	
49		16992604		THRUST WASHER						1	
50		B1135850000		TENSION SPRING (A)	EXCEPT M-EB-3200TS,TA					1	
51		B1211280000		THRUST BEARING						1	
52		B1643470000		THRUST WASHER						1	
53		CS100081CSP		THRUST COLLAR ASM.						1	
54		CS1201010SH		THRUST COLLAR ASM. D=12 W=10						1	
55		NM6050003SC		NUT M5X0.8						2	
56		NM6050003SC		NUT M5X0.8						2	
57		NM6060003SC		NUT M6						1	
58		NM6060003SC		NUT M6						1	
59		SB117000700		BEARING						1	
60		SM4040855SP		SCREW						2	
61		SM6041402TP		SCREW M4 L=14						1	
62		SM8030412TP		SCREW						4	
63		SM6030802TP		SCREW M3X0.5 L=8						1	
64		SM6040802TP		SCREW M4X0.7 L=8	EXCEPT M-EB-3200TS,TA					1	
65		SM6041002TP		SCREW M4 L=10						2	
66		40015684		SPREADER LEFT (NARROW) G	FOR MEB--3200SS(CHINA),JS(CHINA), CS(CHINA)				☆	1	
67		SM6041002TP		SCREW M4 L=10						1	
68		SM6041602TP		SCREW M4X0.7 L=16						1	
69		SM6850502TN		SCREW M2.5 L=5						1	
70		SM6850600SP		SCREW						2	
71		40015685		SPREADER RIGHT G	FOR MEB--3200SS(CHINA),JS(CHINA), CS(CHINA)				☆	1	
72		SM8050502TP		SCREW M5 L=5						1	
73		SM8060812TP		SCREW M6 L=8						4	
74		40015694		LOOPER RIGHT G	FOR MEB--3200SS(CHINA),JS(CHINA), CS(CHINA)				☆	1	
75		WP0531000SC		WASHER 5.3X10X1						2	
76		WP0531000SC		WASHER 5.3X10X1						2	
77		WP0621016SH		WASHER						1	
78		32039802		LOOPER BRACKET SPACER A	SELECTIVE PARTS					1	
79		32040404		LOOPER BRACKET SPACER A1	SELECTIVE PARTS					1	



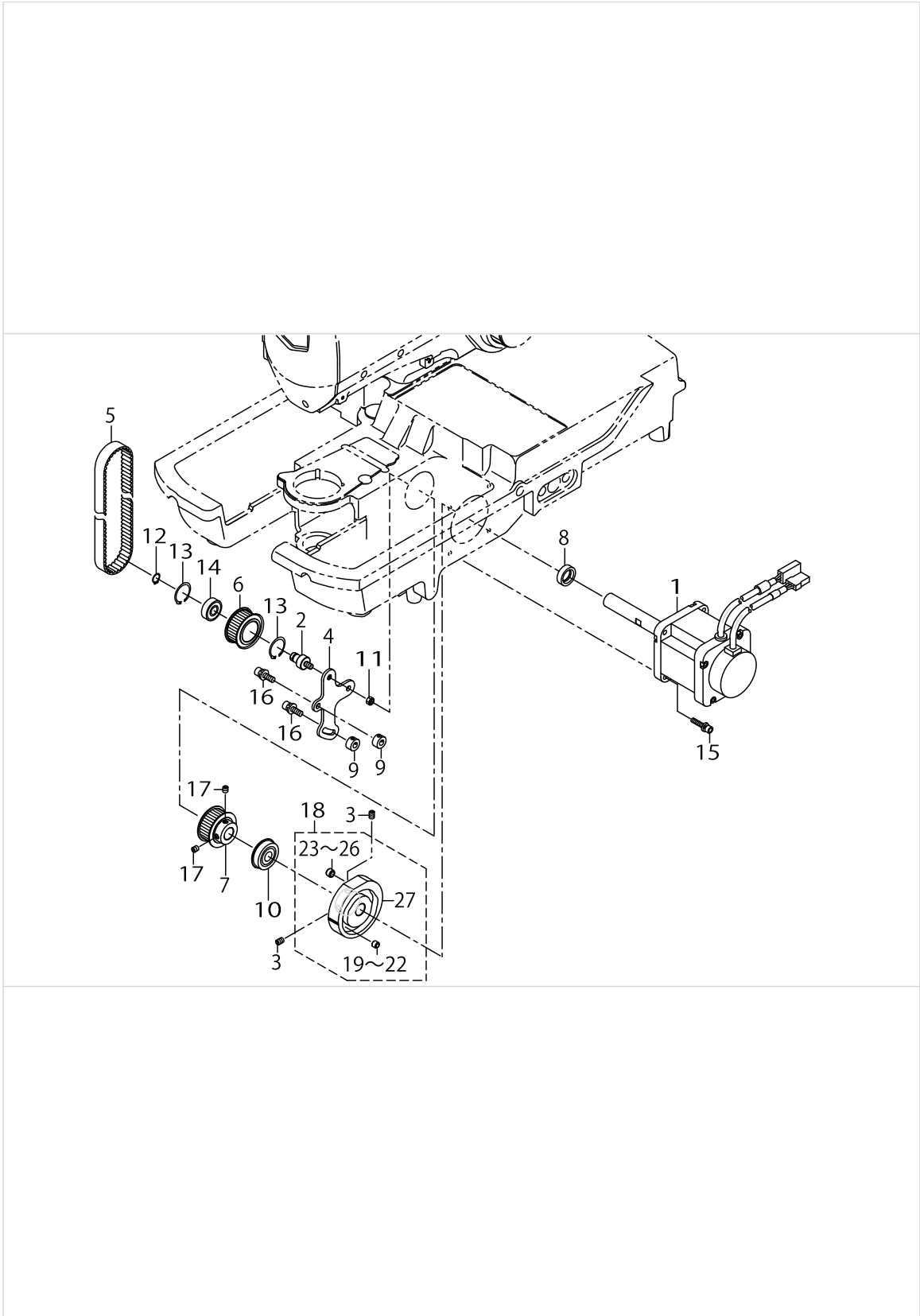
# LOOPER DRIVING COMPONENTS



LOOPER DRIVING COMPONENTS

No.	Supply Code	Parts No.	Replacement	Parts name	Remarks	Choice	Step	Level	Cons	Qty	Rep. QTY
80		32040503		LOOPER BRACKET SPACER A2	SELECTIVE PARTS					1	
81		32040602		LOOPER BRACKET SPACER A3	SELECTIVE PARTS					1	
82		32040701		LOOPER BRACKET SPACER A4	SELECTIVE PARTS					1	
83		32040917		SPREADER, LEFT	EXCEPT M-EB-3200J-S(USE IN JAPAN), MEB-3200JA(-USE IN JAPAN)				☆	1	
84		WP0280501SC		WASHER M2.6						1	
85		32037400		FULCRUM SHAFT T	FOR MEB--3200TS,TA					1	
86		B1821210D00		SHUTTLE OIL FELT,B						2	
87		CQ3500000F0		OIL FELT						.02	
88		40102607		LOOPER_BRACKET_ASM	EXCEPT M-EB-3200TS,TA					1	
89		40102608		LOOPER_BRACKET_T_ASM	FOR MEB--3200TS,TA					1	
90		14045504		THREAD GUIDE PIPE				*		1	
91		CQ303000000		OIL WICK				*		0.4	
92		40097982		LOOPER_BRACKET	EXCEPT M-EB-3200TS,TA			*		1	
93		40097989		LOOPER_BRACKET_T	FOR MEB--3200TS,TA			*		1	
94		40020192		BRACKET LUBRICATION FELT B				*		1	
95		40085144		LOOPER BRACKET METAL						1	
96		SM6041002TP		SCREW M4 L=10						3	
97		40099923		CAM ROLLER SCREW						2	

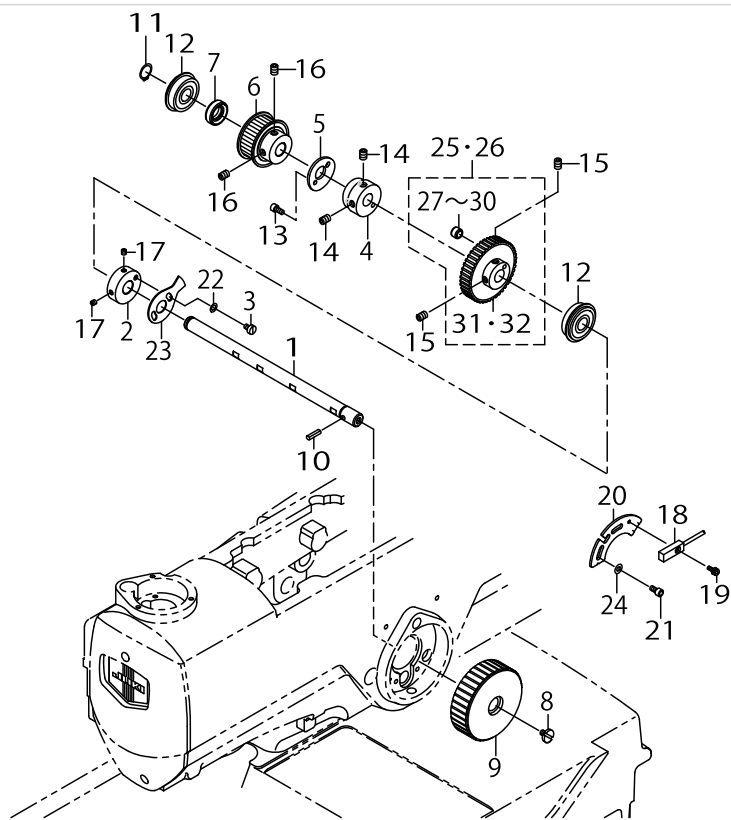
LOWER SHAFT COMPONENTS



LOWER SHAFT COMPONENTS

No.	Supply Code	Parts No.	Replacement	Parts name	Remarks	Choice	Step	Level	Cons	Qty	Rep. QTY
1		KM000000340		SERVO MOTOR						1	
2		32036907		TENSION PULLEY SHAFT						1	
3		SM8060812TP		SCREW M6 L=8						2	
4		32037004		TENSION PULLEY BRACKET						1	
5		32036709		UPPER SHAFT TIMING BELT					☆	1	
6		32036808		TENSION PULLEY						1	
7		32036600		LOWER SHAFT PULLEY						1	
8		13707500		OIL SEAL						1	
9		CS0700811SH		THRUST COLLAR D=7 W=8						2	
10		G1216870000		UPPER SHAFT REAR BEARING						1	
11		NS6660430SP		NUT 1/4-40						1	
12		RC0100001KP		SNAP RING M10						1	
13		RC2791218KP		RETAINING RING						2	
14		SB110000400		BALL BEARING						1	
15		SL6052592TN		BOLT						4	
16		SL6062092TN		SCREW M6 L=20						2	
17		SM8060612TP		SCREW M6 L=6						2	
18		40104361		LOOPER DRIVING CAM ASM						1	
19		40100085		LOOPER CAM ROLLER A	SELECTIVE PARTS				*	1	
20		40100086		LOOPER CAM ROLLER B	SELECTIVE PARTS				*	1	
21		40100087		LOOPER CAM ROLLER C	SELECTIVE PARTS				*	1	
22		40100088		LOOPER CAM ROLLER D	SELECTIVE PARTS				*	1	
23		40099989		SPREADER CAM ROLLER A	SELECTIVE PARTS				*	1	
24		40099990		SPREADER CAM ROLLER B	SELECTIVE PARTS				*	1	
25		40099991		SPREADER CAM ROLLER C	SELECTIVE PARTS				*	1	
26		40099992		SPREADER CAM ROLLER D	SELECTIVE PARTS				*	1	
27		32036501		LOOPER DRIVING CAM					*	1	

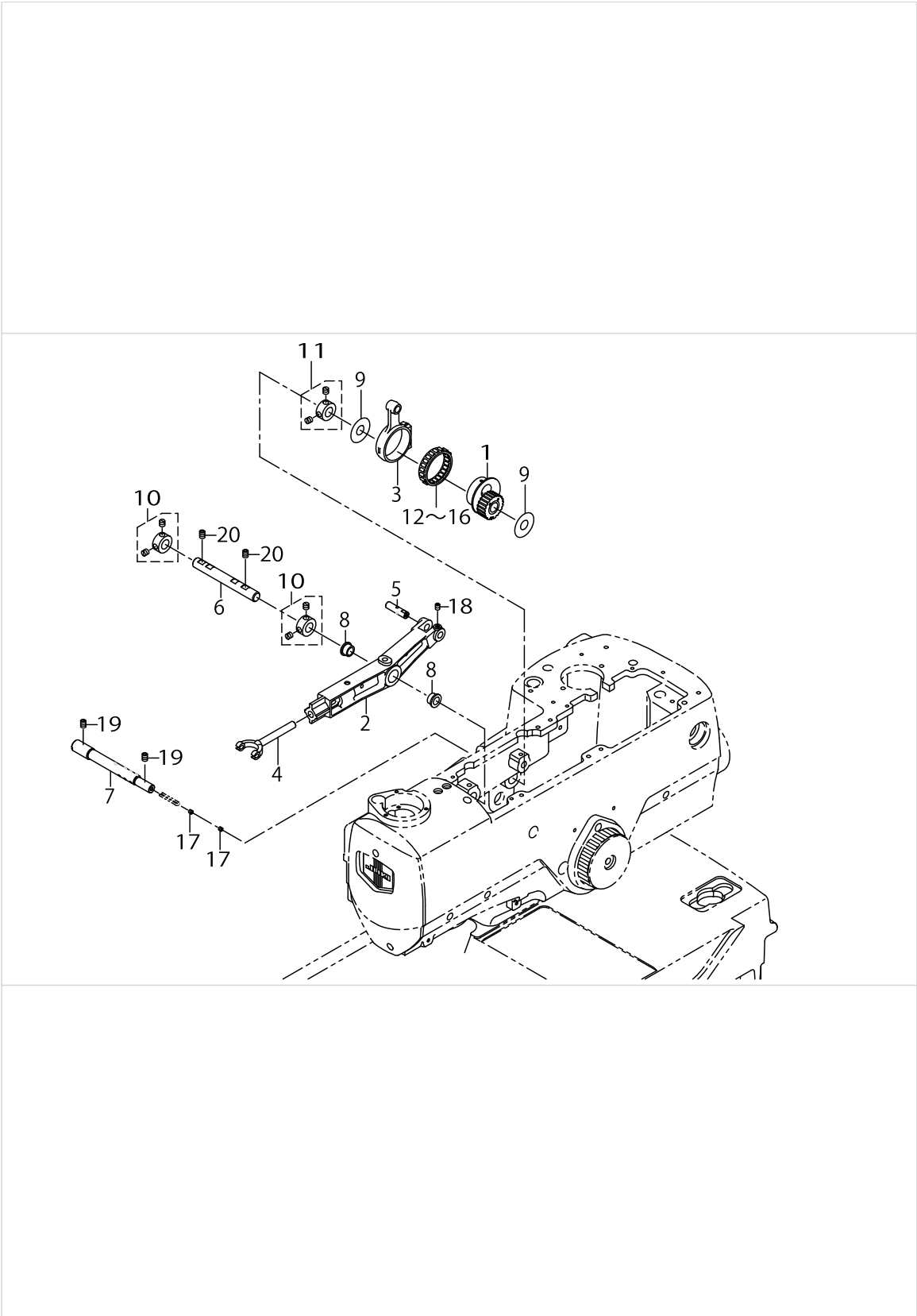
UPPER SHAFT COMPONENTS



UPPER SHAFT COMPONENTS

No.	Supply Code	Parts No.	Replacement	Parts name	Remarks	Choice	Step	Level	Cons	Qty	Rep. QTY
1		32044000		UPPER SHAFT						1	
2		32044109		UPPER SHAFT COLLAR						1	
3		SS6110610TP		SCREW 11/64-40 L=6						1	
4		32044307		NEEDLE BAR ROCKING CAM						1	
5		32044406		ROCKING CAM COVER						1	
6		32044505		UPPER SHAFT PULLEY						1	
7		22888507		OIL SEAL						1	
8		A1230500000A		HANDWHEEL SETSCREW						1	
9		B1212210D00		PULLEY						1	
10		PS0400142KH		SPRING PIN 4X14						1	
11		RC1200001KP		C-SHAPED SNAP RING						1	
12		SB112000100		BEARING D=12X32						2	
13		SM6040802TP		SCREW M4X0.7 L=8						2	
14		SM8060812TP		SCREW M6 L=8						2	
15		SM8060812TP		SCREW M6 L=8						2	
16		SM8060812TP		SCREW M6 L=8						2	
17		SS8110422TP		SCREW 11/64-40 L=4						2	
18		32077653		SENSOR ASM.						1	
19		SL4031041SC		WASHER SCREW						1	
20		32077703		SENSOR BRACKET						1	
21		SM6040802TP		SCREW M4X0.7 L=8						2	
22		WP0480856SP		WASHER 4.8X8.4X0.8						1	
23		32077802		SENSOR SLIT						1	
24		WP0430801SC		WASHER 4.3X9X0.8						2	
25		40039176		BALANCE CAM ASM.						1	
26		40039177		BALANCECAMAASM.	FOR MEB-- 3200SS(CH- INA),JS(CH- INA), CS(C- HINA),JS(JE)					1	
27		32051203		CAM ROLLER, A	SELECTIVE PARTS			*		1	
28		32051302		CAM ROLLER, B	SELECTIVE PARTS			*		1	
29		32051401		CAM ROLLER, C	SELECTIVE PARTS			*		1	
30		32051500		CAN ROLLER, D	SELECTIVE PARTS			*		1	
31		32044208		BALANCE CAM	EXCEPT M- EB-3200S- S(CHINA), JS(CHINA),- CS(CHINA),JS(JE)			*		1	
32		40020277		BALANCE CAM A	FOR MEB-- 3200SS(CH- INA),JS(CH- INA), CS(C- HINA),JS(JE)			*		1	

NEEDLE BAR DRIVING COMPONENTS

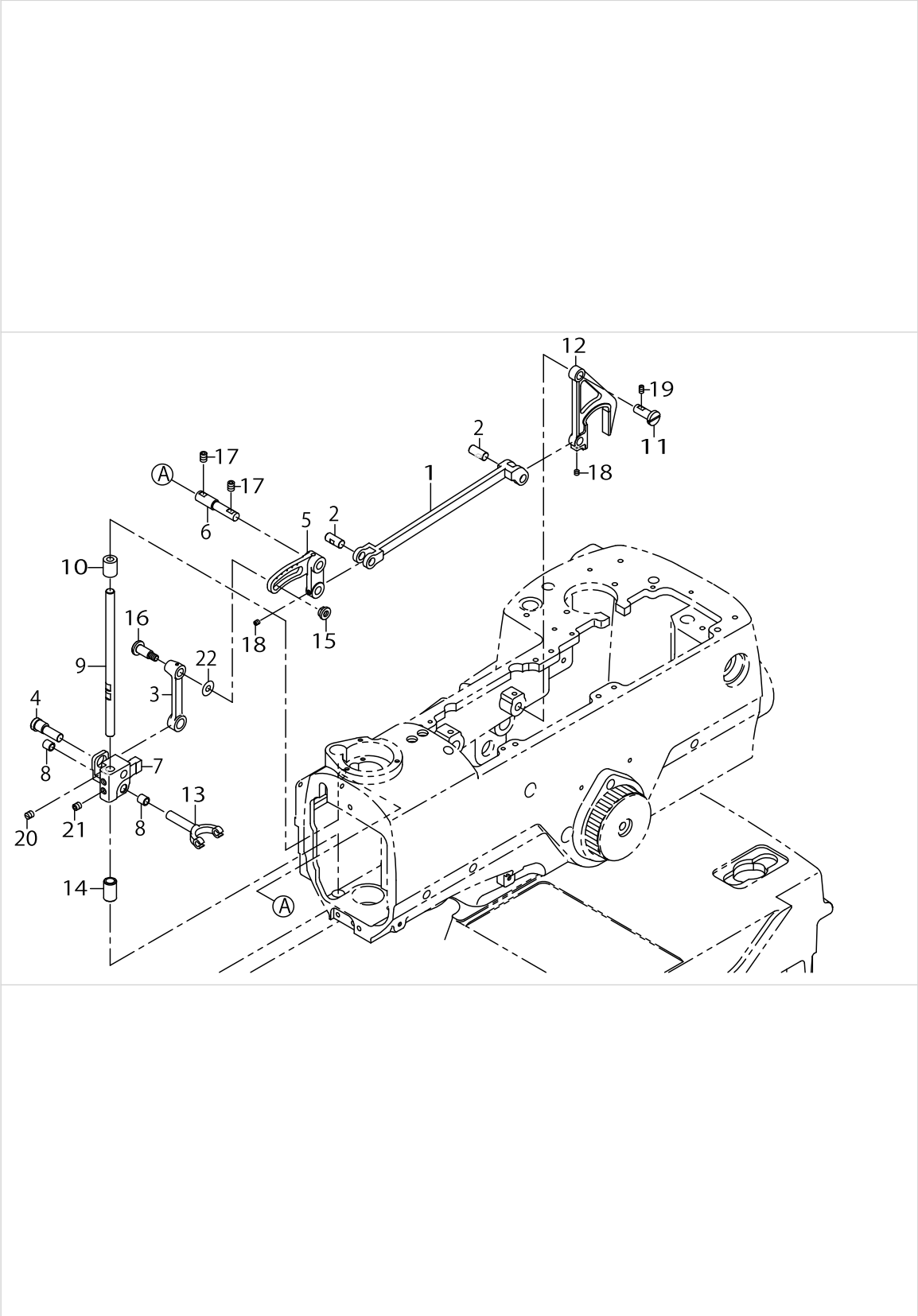


NEEDLE BAR DRIVING COMPONENTS

No.	Supply Code	Parts No.	Replacement	Parts name	Remarks	Choice	Step	Level	Cons	Qty	Rep. QTY
1		32046054		NEEDLE BAR ROCKING CAM ASM.						1	
2		32045809		NEEDLE BAR VERTICAL DRIVE ARM						1	
3		32046302		VERTICAL ROCKING LINK						1	
4		32045908		NEEDLE BAR VERTICAL BRANCH						1	
5		32046401		VERTICAL ROCKING LINK SHAFT						1	
6		32046500		FULCRUM SHAFT						1	
7		32046609		NEEDLE BAR DRIVING SHAFT						1	
8		32046708		VERTICAL ARM METAL						2	
9		13887005		THRUST WASHER						2	
10		CS1201010SH		THRUST COLLAR ASM. D=12 W=10						2	
11		CS1201010SH		THRUST COLLAR ASM. D=12 W=10						1	
12		SB33500020A		BEARING	SELECTIVE PARTS					1	
13		SB33500020B		BEARING	SELECTIVE PARTS					1	
14		SB33500020C		BEARING	SELECTIVE PARTS					1	
15		SB33500020D		BEARING	SELECTIVE PARTS					1	
16		SB33500020E		BEARING	SELECTIVE PARTS					1	
17		SM8040412TP		SET SCREW M4 L=4						2	
18		SM8050612TP		SCREW M5X6						1	
19		SM8060812TP		SCREW M6 L=8						2	
20		SM8060812TP		SCREW M6 L=8						2	



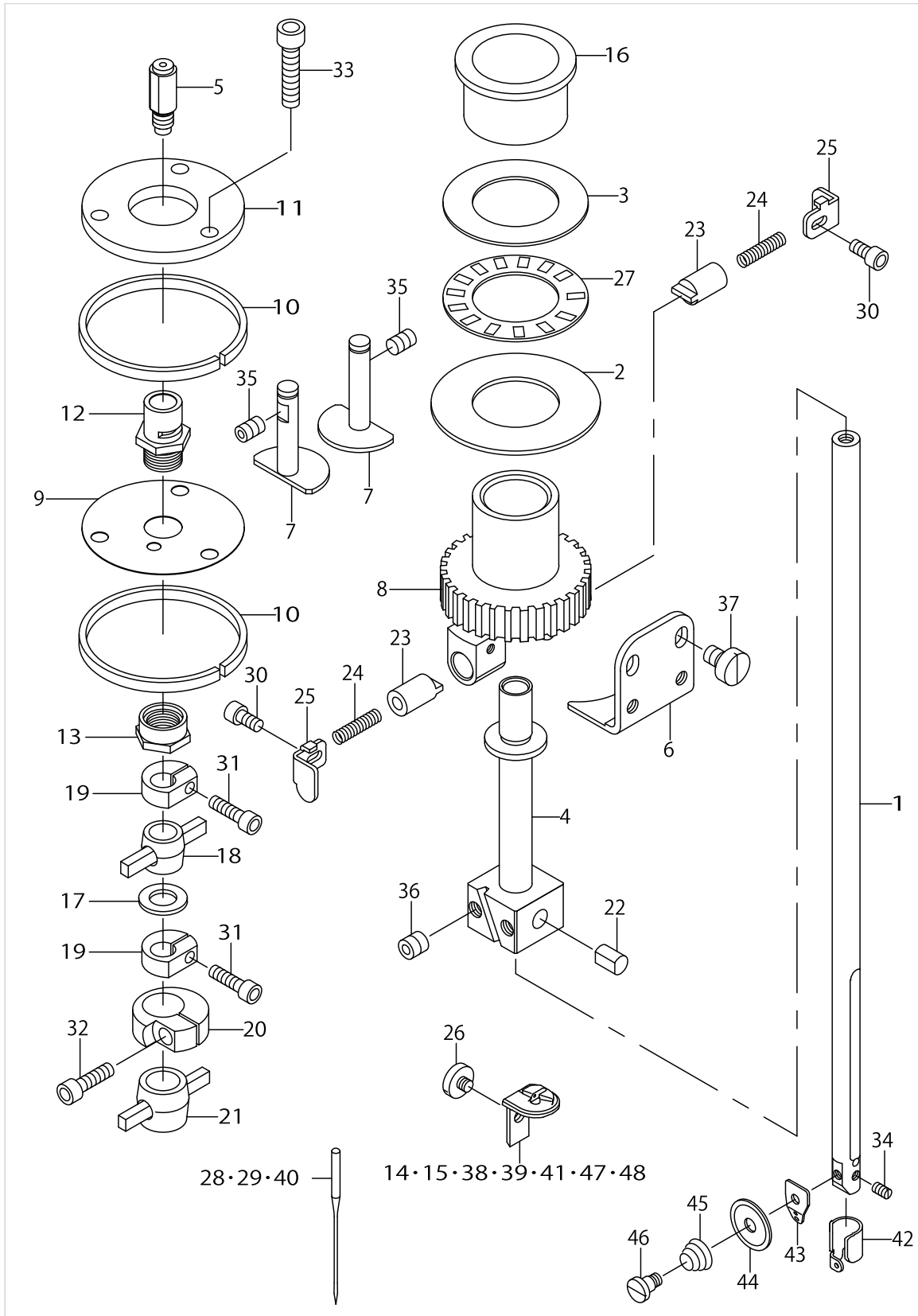
NEEDLE BAR ROCKING COMPONENTS



NEEDLE BAR ROCKING COMPONENTS

No.	Supply Code	Parts No.	Replacement	Parts name	Remarks	Choice	Step	Level	Cons	Qty	Rep. QTY
1		32048100		ROCKING LINK, A						1	
2		32048209		FULCRUM SHAFT						2	
3		32048308		ROCKING LINK, B						1	
4		32048506		ECCENTRIC SHAFT						1	
5		32048605		ADJUSTING ARM						1	
6		32048704		FULCRUM SHAFT						1	
7		32048803		VERTICAL SHAFT HOLDER						1	
8		32048902		VERTICAL SHAFT HOLDER METAL						2	
9		32049009		ROCKING VERTICAL SHAFT						1	
10		32049108		VERTICAL UPPER METAL						1	
11		13715701		FRAME ROCK SHAFT CRANK PIN						1	
12		13715800		NEEDLE BAR PITMAN						1	
13		14007108		FORK						1	
14		18027607		SLEEVE						1	
15		B1633210D00		ADJUSTING NUT						1	
16		SD0801501TP		HINGE SCREW						1	
17		SM8060812TP		SCREW M6 L=8						2	
18		SS8110422TP		SCREW 11/64-40 L=4						2	
19		SS8110750SP		SCREW 11/64-40 L=6.5						1	
20		SS8660610TP		SCREW 1/4-40 L=6						1	
21		SS8660612TP		SCREW 1/4-40 L=6						2	
22		WP0611626SP		WASHER 15X6X1.6						1	

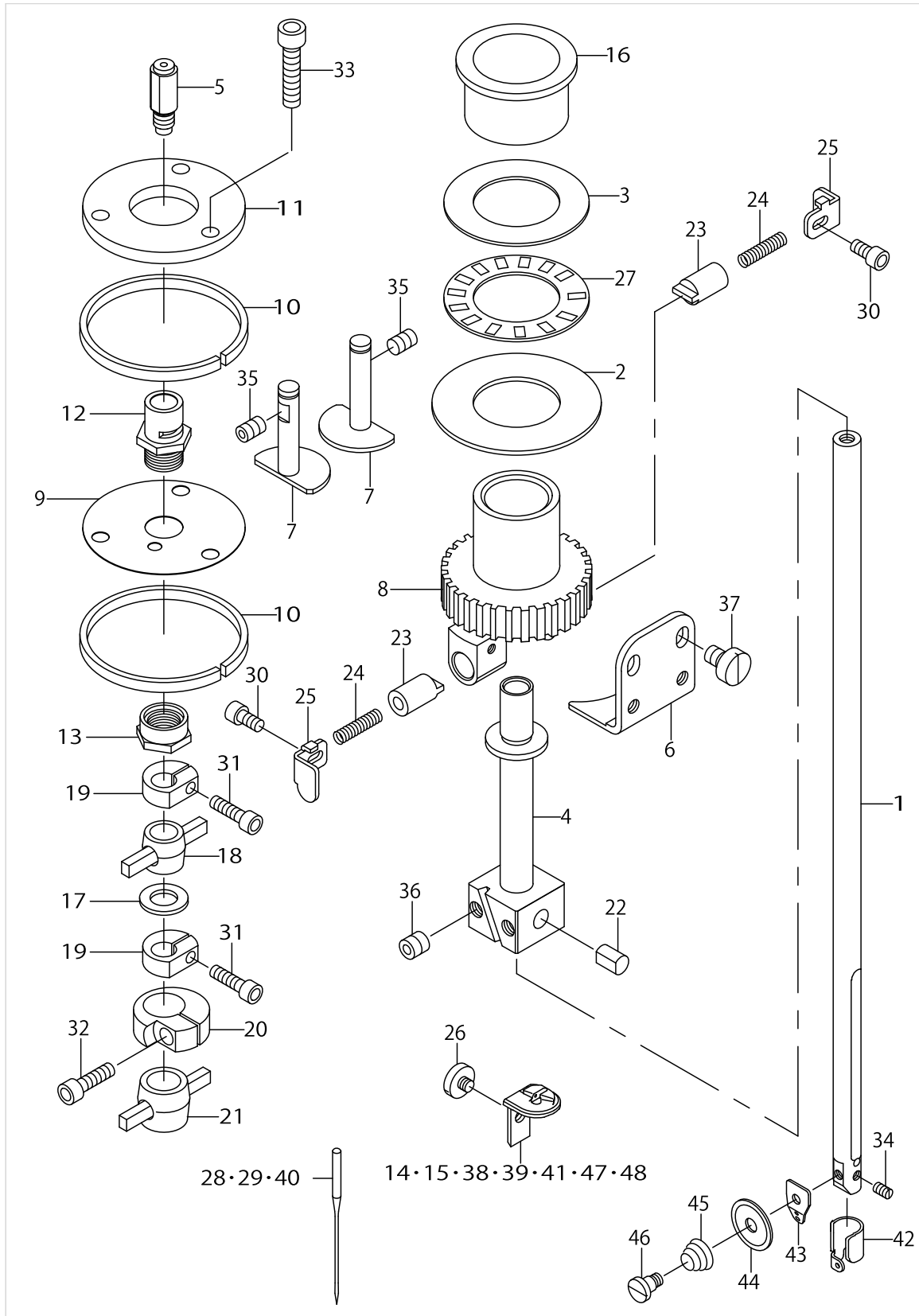
NEEDLE BAR COMPONENTS



NEEDLE BAR COMPONENTS

No.	Supply Code	Parts No.	Replacement	Parts name	Remarks	Choice	Step	Level	Cons	Qty	Rep. QTY
1		32041055		NEEDLE BAR						1	
2		32041303		NEEDLE BAR REVOLUTION RING						1	
3		32041402		THRUST WASHER						1	
4		32041105		NEEDLE BAR ROCKING BASE						1	
5		32042350		NEEDLE BAR THREAD GUIDE ASM.					☆	1	
6		32041600		PULLEY SUPPORT, A						1	
7		32041709		PULLEY SUPPORT, B						2	
8		32041204		REVOLUTION PULLEY						1	
9		40099944		SPRING						1	
10		32042004		UPPER METAL RING						2	
11		32042103		RING HOLDER						1	
12		40099942		UPPER METAL						1	
13		40099943		NUT						1	
14		32042715		THROAT PLATE, A	FOR MEB-- 3200SS,RS					1	
15		32042830		THROAT PLATE, B	FOR MEB-- 3200JS(USE IN JAPAN), MEB-3200- JA(USE IN JAPAN)					1	
16		32041501		PULLEY METAL						1	
17		B1906581000		THRUST WASHER						1	
18		14005508		LINK						1	
19		14005607		COLLAR						2	
20		14006506		COLLAR						1	
21		14007009		NEEDLE BAR ROCK LINK						1	
22		14009005		NEEDLE BAR THRUST PIN						2	
23		14009104		NEEDLE BAR ROCKING GUIDE						2	
24		14009203		SPRING						2	
25		14009302		ROCKING GUIDE HOOK						2	
26		14009807		SCREW						1	
27		B1658506E00A		SHAFT HOLDER						1	
28		MC185801000		NEEDLE, SCHMETZ, 558 NM100	FOR MEB-- 3200SS,RS,TS,TA				☆	1	
29		MC185801100		NEEDLE, SCHMETZ 558 NM110	FOR MEB-- 3200JS(USE IN JAPAN), MEB-3200- JA(USE IN JAPAN),CS,CA				☆	1	
30		SM6030602TP		SCREW M3X0.5 L=6						2	
31		SM6031202TP		SCREW M3X0.5 L=12						2	
32		SM6041402TP		SCREW M4 L=14						1	
33		SM6041802TP		SCREW M4 L=18						3	
34		SM8430550TP		SCREW M3X0.35 L=4.5						1	
35		SM8040612TP		SCREW M4 L=6						2	
36		SM8050502TP		SCREW M5 L=5						2	
37		SS6110610TP		SCREW 11/64-40 L=6						2	
38		32043424		THROAT PLATE JA	FOR MEB-- 3200JS(EX- PORT), ME- B-3200JA(EXPORT)					1	
39		32043523		THROAT PLATE JE	FOR MEB-- 3200CS,CA					1	

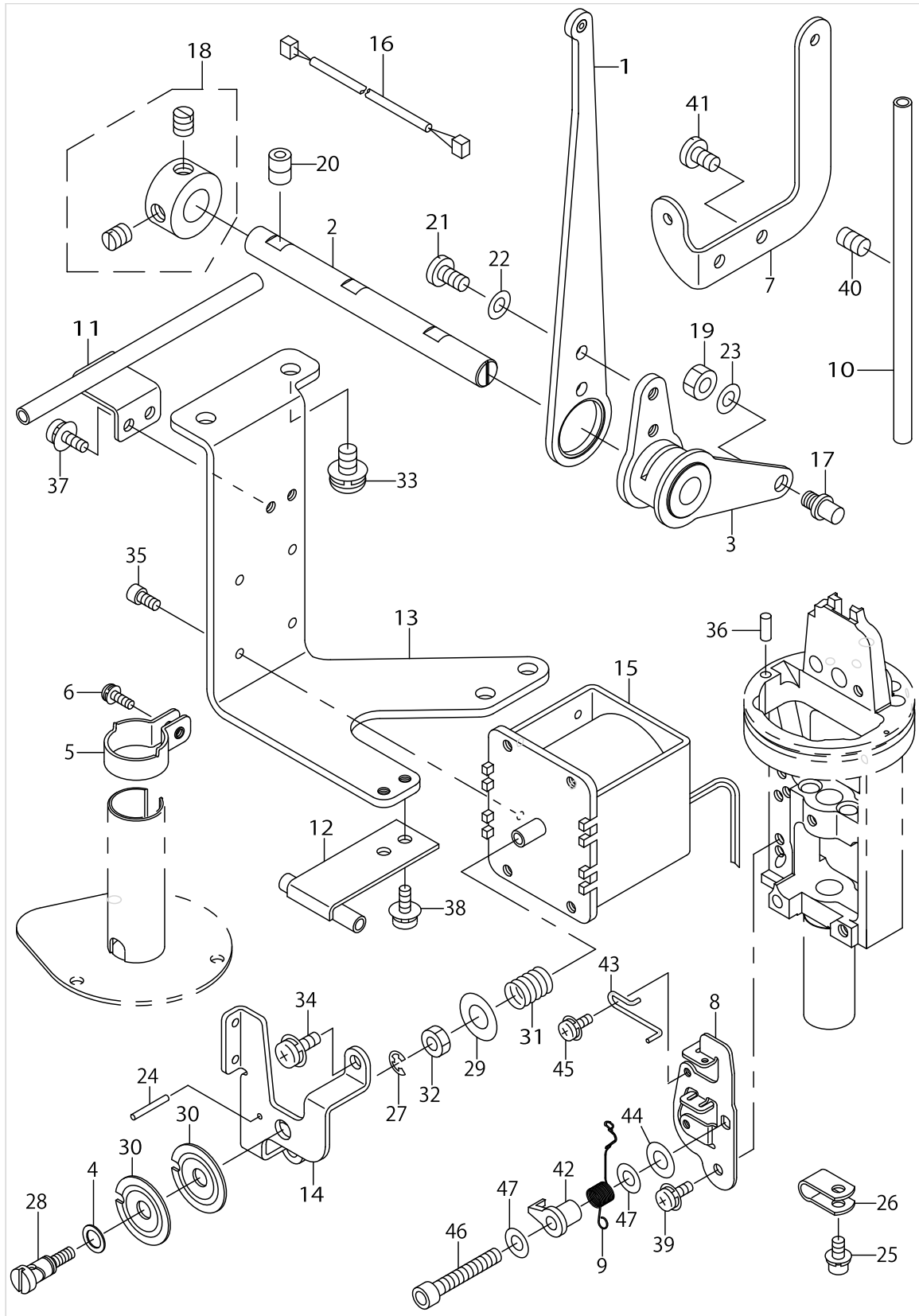
# NEEDLE BAR COMPONENTS



NEEDLE BAR COMPONENTS

No.	Supply Code	Parts No.	Replacement	Parts name	Remarks	Choice	Step	Level	Cons	Qty	Rep. QTY
40		MC185801200		NEEDLE SCHMETZ,558 NM120	FOR MEB-- 3200JS(EX- PORT), ME- B-3200JA(- EXPORT), MEB-3200- JS(CHINA)				☆	1	
41		32043713		THROAT PLATE TE	FOR MEB-- 3200TS,TA					1	
42		32051708		THREAD GUIDE	EXCEPT M- EB-3200S- S(CHINA), JS(CHINA),- CS(CHINA),JS(JE)				☆	1	
43		40023465		THREAD GUIDE	FOR MEB-- 3200SS(CH- INA),JS(CH- INA), CS(C- HINA),JS(JE)				☆	1	
44		B2313180000		TENSION DISC	FOR MEB-- 3200SS(CH- INA),JS(CH- INA), CS(C- HINA),JS(JE)				☆	1	
45		14045900		TENSION SPRING	FOR MEB-- 3200SS(CH- INA),JS(CH- INA), CS(C- HINA),JS(JE)				☆	1	
46		14045801		SCREW	FOR MEB-- 3200SS(CH- INA),JS(CH- INA), CS(C- HINA),JS(JE)				☆	1	
47		40029122		THROAT PLATE JA C	FOR MEB-- 3200JS(CHINA)					1	
48		40029123		THROAT PLATE JE C	FOR MEB-- 3200CS(CHINA)					1	

THREAD TAKE-UP LEVER & THREAD GUIDE COMPONENTS

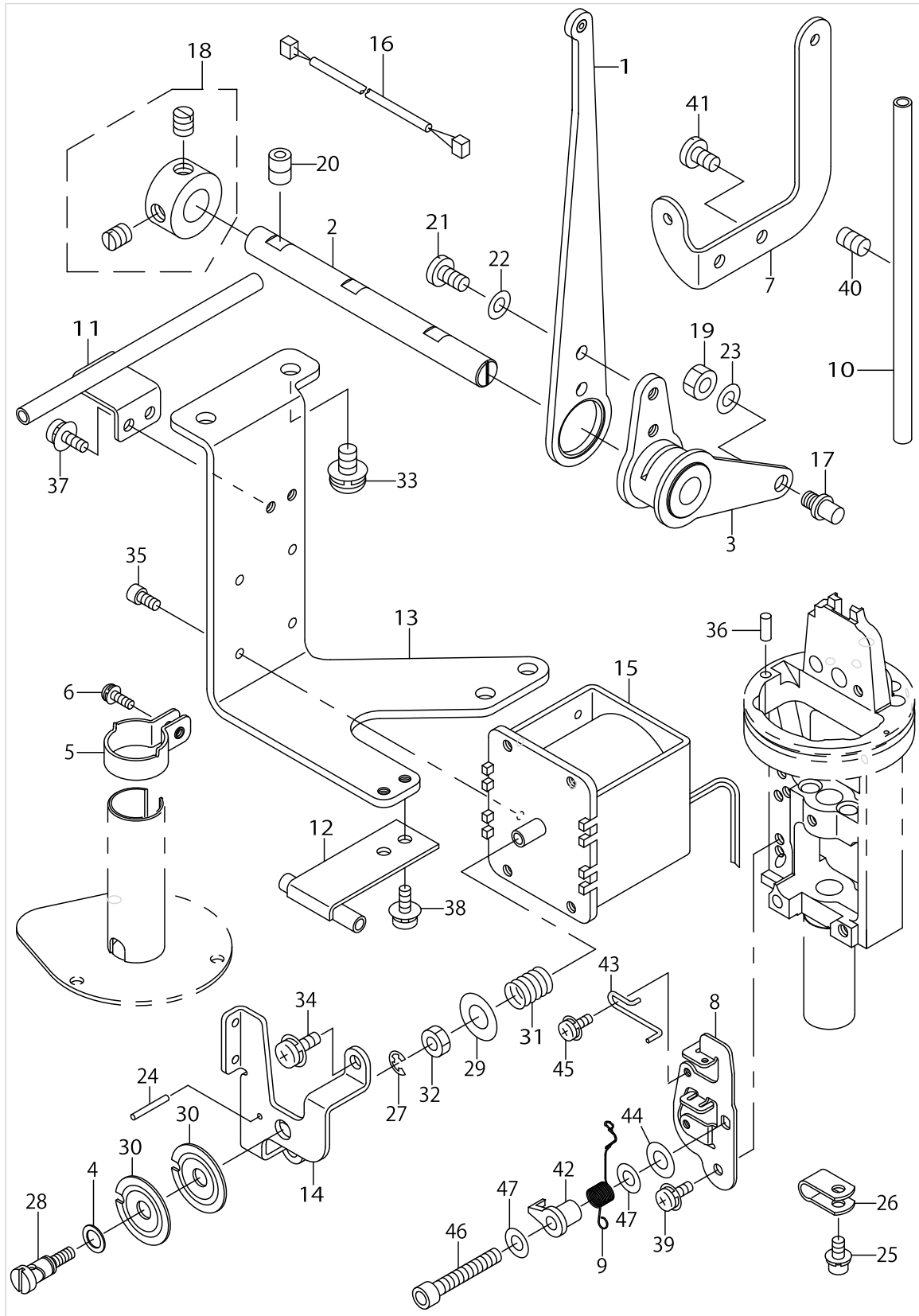


THREAD TAKE-UP LEVER & THREAD GUIDE COMPONENTS

No.	Supply Code	Parts No.	Replacement	Parts name	Remarks	Choice	Step	Level	Cons	Qty	Rep. QTY
1		32050551		THREAD TAKE-UP LEVER COMPLE.						1	
2		32051005		FULCRUM SHAFT						1	
3		32050957		FULCRUM BOSS COMPLE.						1	
4		32053506		THREAD TENSIONS RUBBER SEAT						1	
5		40020483		THREAD GUIDE	FOR MEB-- 3200JS(CH- INA), CS(CHINA)					1	
6		SL4031081SC		SCREW M3 X 10	FOR MEB-- 3200JS(CH- INA), CS(CHINA)					1	
7		32052201		LOWER THREAD GUIDE						1	
8		32052300		LOWER THREAD TENSION BRACKET						1	
9		32052409		THREAD TAKE-UP SPRING					☆	1	
10		32052508		LOWER THREAD PIPE, A						1	
11		32052656		LOWER THREAD PIPE, B COMPLE.						1	
12		32052854		LOWER THREAD PIPE, C COMPLE.						1	
13		32053001		AT FITTING PLATE						1	
14		40020391		AT THREAD TENSION BRACKET						1	
15		32053209		AT (LOWER)						1	
16		32053357		AT RELAY CORD ASM.						1	
17		14044200		CAM ROLLER SHAFT						1	
18		CS100081CSP		THRUST COLLAR ASM.						1	
19		NM6060003SC		NUT M6						1	
20		SM8060812TP		SCREW M6 L=8						2	
21		SS7110840SP		SCREW 11/64-40 L=7.8						2	
22		WP0450000SD		WASHER 4.5X8X0.5						2	
23		WP0641600SC		WASHEW6.4X12.5X1.6						1	
24		PS0200162KH		SPRING PIN						1	
25		SL6040892TN		BOLT						1	
26		HX00150000A		CABLE CLAMP						1	
27		RE0400000K0		E-RING 4						1	
28		32053407		AT(LOWER) THREAD TENSION SHAFT						1	
29		B1618804000		WASHER						1	
30		40020389		THREAD TENSION DISK						2	
31		16203507		MAGNET SPRING						1	
32		NM6040000SN		NUT M4						1	
33		SL4061291SE		SCREW						4	
34		SL6040892TN		BOLT						2	
35		SM6030602TP		SCREW M3X0.5 L=6						4	
36		14045504		THREAD GUIDE PIPE						1	
37		SL6040892TN		BOLT						2	
38		SL6040892TN		BOLT						2	
39		SL6041092TN		SCREW						1	
40		SM8050812TP		SCREW M5X8						1	
41		SS7110710SP		SCREW 11/64-40 L=7						2	
42		14045306		ADJUST PIN						1	
43		40023464		SPRING STOPPER						1	



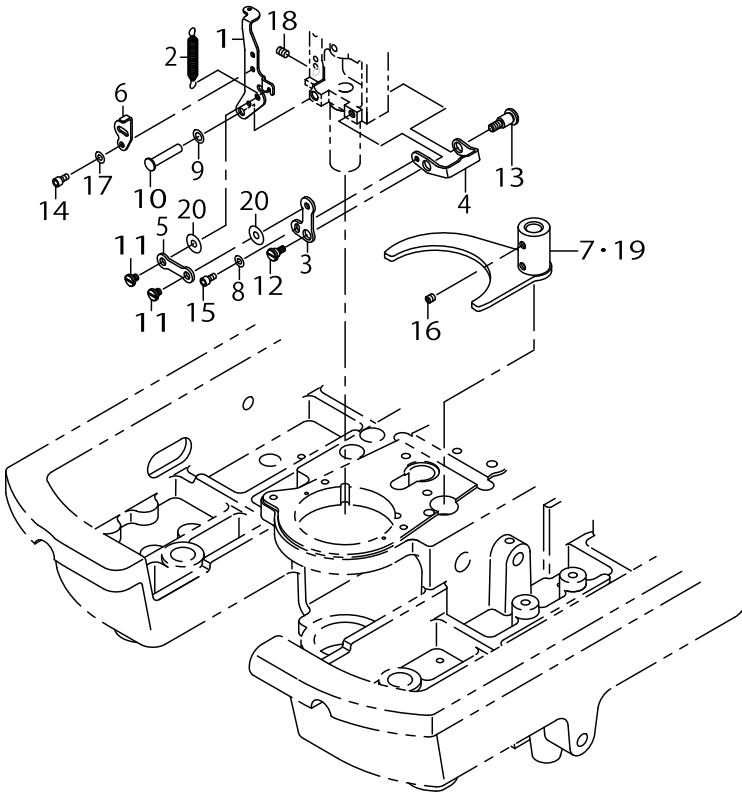
THREAD TAKE-UP LEVER & THREAD GUIDE COMPONENTS



THREAD TAKE-UP LEVER & THREAD GUIDE COMPONENTS

No.	Supply Code	Parts No.	Replacement	Parts name	Remarks	Choice	Step	Level	Cons	Qty	Rep. QTY
44		B1513210000		CLOTH PRESSER M- AGNET SPACER						1	
45		SL4030631SC		SCREW M3X6						1	
46		SM6042502TN		SCREW M4X0.7 L=25						1	
47		WP0450846SP		WASHER						2	

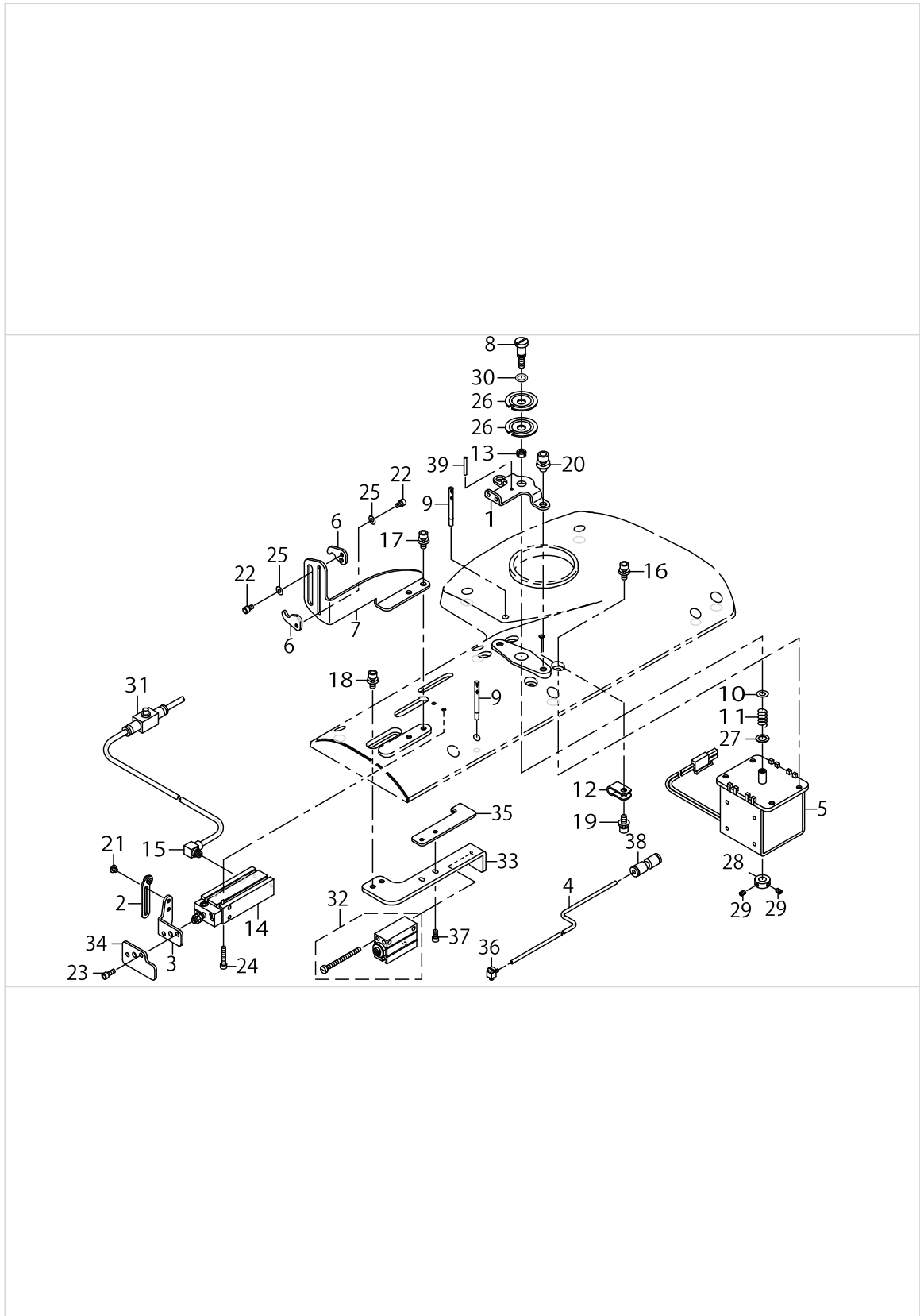
LOWER THREAD HAUL COMPONENTS



LOWER THREAD HAUL COMPONENTS

No.	Supply Code	Parts No.	Replacement	Parts name	Remarks	Choice	Step	Level	Cons	Qty	Rep. QTY
1		40023426		LOWER THREAD HAUL PLATE						1	
2		32015109		SPRING						1	
3		32015208		LOWER THREAD HAUL LINK, A	EXCEPT M- EB-3200J- S,CS,JA,CA					1	
4		32015307		LOWER THREAD HAUL LINK, B	EXCEPT M- EB-3200J- S,CS,JA,CA					1	
5		32015406		LOWER THREAD HAUL LINK, C	EXCEPT M- EB-3200J- S,CS,JA,CA					1	
6		32015505		ADJUSTING PLATE	FOR MEB-- 3200JS,CS,JA,CA					1	
7		32015653		DRIVING ARM ASM.	EXCEPT M- EB-3200J- S,CS,TS,JA, CA,TA					1	
8		WP0320501SC		WASHER M3	EXCEPT M- EB-3200J- S,CS,JA,CA					1	
9		WP0480856SP		WASHER 4.8X8.4X0.8						1	
10		B1503771000		CONNECTING PIN						1	
11		SD0460182SP		HINGE SCREW D=4.6 H=1.8	EXCEPT M- EB-3200J- S,CS,JA,CA					2	
12		SD0640326TP		HINGE SCREW	EXCEPT M- EB-3200J- S,CS,JA,CA					1	
13		SD0640801TP		HINGE SCREW D=6.35 H=8.0	EXCEPT M- EB-3200J- S,CS,JA,CA					1	
14		SM6030602TP		SCREW M3X0.5 L=6	FOR MEB-- 3200JS,CS,JA,CA					2	
15		SM6030602TP		SCREW M3X0.5 L=6	EXCEPT M- EB-3200J- S,CS,JA,CA					1	
16		SS8110422TP		SCREW 11/64-40 L=4	EXCEPT M- EB-3200J- S,CS,JA,CA					2	
17		WP0320501SC		WASHER M3	FOR MEB-- 3200JS,CS,JA,CA					2	
18		SM8040612TP		SCREW M4 L=6						1	
19		32015802		DRIVING ARM ASM.T	FOR MEB-- 3200TS,TA					1	
20		B242328000C		MOVING KNIFE WASHER C	FOR MEB-- 3200SS,RS,TS,TA					2	

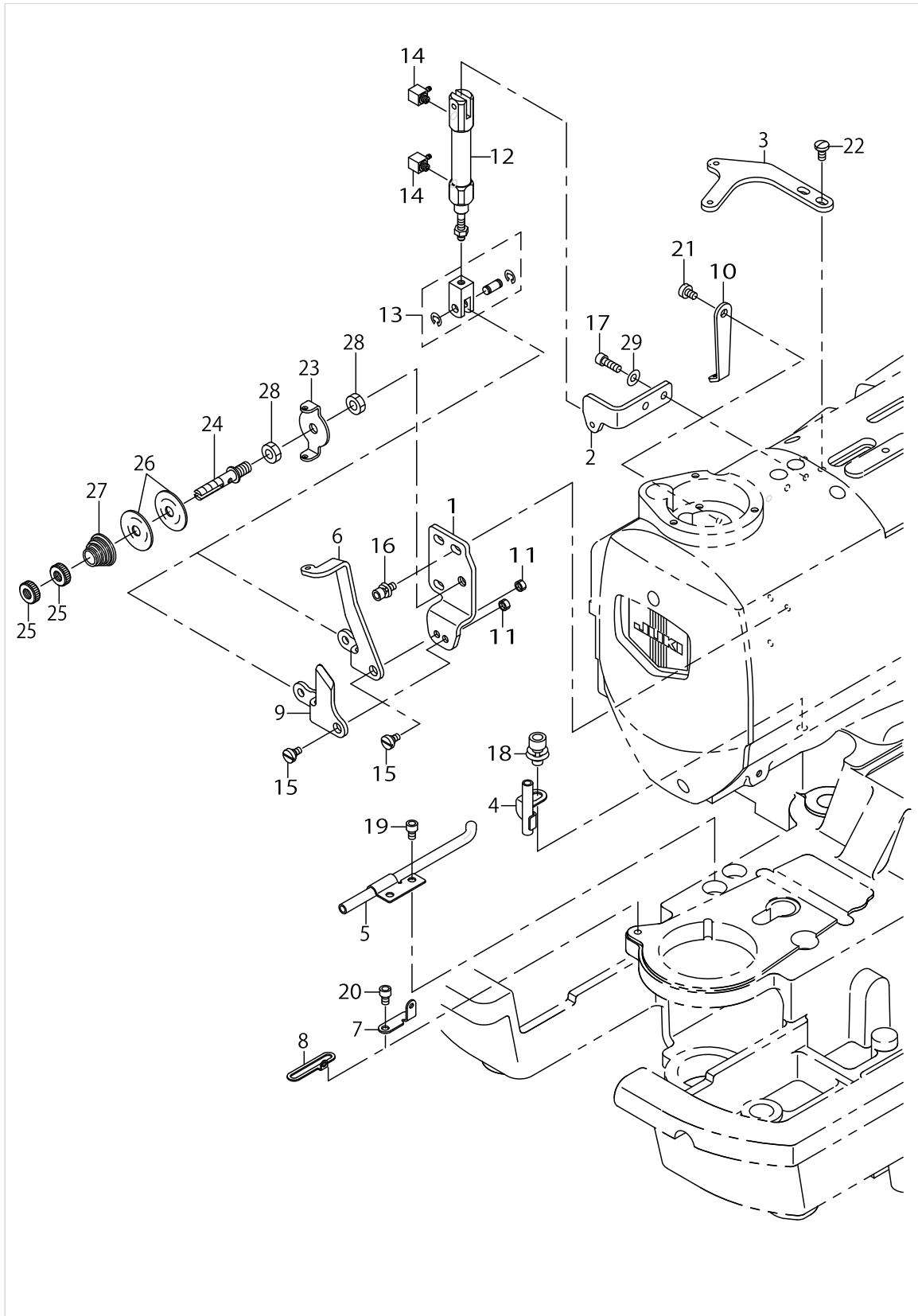
UPPER THREAD HAUL COMPONENTS



UPPER THREAD HAUL COMPONENTS

No.	Supply Code	Parts No.	Replacement	Parts name	Remarks	Choice	Step	Level	Cons	Qty	Rep. QTY
1		40020390		AT THREAD GUIDE						1	
2		40011721		THREAD GUIDE ASM.						1	
3		32054603		UPPER THREAD HAUL ARM						1	
4		BT0320201EB		POLYURETHANE T- UBE,BLACK 3.18X2						1.5	
5		32054900		AT (UPPER)						1	
6		32055105		BALANCE THREAD GUIDE						2	
7		32055204		BALANCE THREAD GUIDE BASE						1	
8		32055303		AT(UPPER) THREAD TENSION SHAFT						1	
9		22502504		THREAD GUIDE BAR						2	
10		WP0430801SC		WASHER 4.3X9X0.8						1	
11		32055501		AT(UPPER) SPRING						1	
12		HX00150000A		CABLE CLAMP						1	
13		NM6040000SN		NUT M4						1	
14		PA1001529A0		AIR CYLINDER						1	
15		PJ046052503		HOSE ELBOW						1	
16		SL6041092TN		SCREW						4	
17		SL6041092TN		SCREW						2	
18		SL6041092TN		SCREW						2	
19		SL6041092TN		SCREW						1	
20		SL6051092TN		BOLT						2	
21		SM0030301SN		SCREW						1	
22		SM6030502TN		SCREW M3 L=5						2	
23		SM6030802TP		SCREW M3X0.5 L=8						2	
24		SM6031602TP		SCREW						2	
25		WP0320501SC		WASHER M3						2	
26		40020389		THREAD TENSION DISK						2	
27		26217604		WASHER						1	
28		40010477		AT_SOL_COLLAR						1	
29		SM8030412TP		SCREW						2	
30		32053506		AT(LOWER) RUBBER SEAT						1	
31		PC012401000		SPEED CONTROLLER						1	
32		32055600		UPPER THREAD HA- UL CYLINDER,B						1	
33		32055709		CYLINDER,B FITTING PLATE						1	
34		32055808		UPPER THREAD HAUL PLATE						1	
35		32055907		UPPER THREAD HA- UL GUIDE PLATE						1	
36		PJ046039002		BARB ELBOW						1	
37		SM6030602TP		SCREW M3X0.5 L=6						2	
38		PJ303030001		JOINT (STRAIGHT)						1	
39		PS0200162KH		SPRING PIN						1	

GIMP HAUL COMPONENTS



GIMP HAUL COMPONENTS

No.	Supply Code	Parts No.	Replacement	Parts name	Remarks	Choice	Step	Level	Cons	Qty	Rep. QTY
1		32057002		CYLINDER BRACKET	EXCEPT M-EB-3200TS,TA					1	
2		40016045		CYLINDER BRACKET	EXCEPT M-EB-3200TS,TA					1	
3		32057309		INTERMEDIATE THREAD GUIDE						1	
4		32057457		PIPE, A COMPLE.	EXCEPT M-EB-3200TS,TA					1	
5		32057655		PIPE, B COMPLE.	EXCEPT M-EB-3200TS,TA					1	
6		32057101		HAUL ARM	EXCEPT M-EB-3200J-S,CS,TS,JA, CA,TA					1	
7		32057804		THREAD GUIGE, S	EXCEPT M-EB-3200J-S,CS,TS,JA, CA,TA					1	
8		32057903		THREAD GUIDE, J	FOR MEB--3200JS,CS,JA,CA					1	
9		32058000		DISK RISING PLATE	FOR MEB--3200JS,CS,JA,CA					1	
10		B1128850000		LOOPER THREAD GUIDE	EXCEPT M-EB-3200TS,TA					1	
11		NS6110310SP		NUT 11/64-40	EXCEPT M-EB-3200TS,TA					1	
12		PA1001501A0		AIR CYLINDER	EXCEPT M-EB-3200TS,TA					1	
13		PA900034000		JOINT	EXCEPT M-EB-3200TS,TA					1	
14		PJ046052501		ELBOW	EXCEPT M-EB-3200TS,TA					2	
15		SD0630275SP		HINGE SCREW D= 6.35 H= 2.7	EXCEPT M-EB-3200TS,TA					1	
16		SL6041092TN		SCREW	EXCEPT M-EB-3200TS,TA					3	
17		SM6041202TN		SCREW M4X0.7 L=12	EXCEPT M-EB-3200TS,TA					2	
18		SL6061292TN		SCREW	EXCEPT M-EB-3200TS,TA					1	
19		SM6040602TP		SCREW M4 L=6	EXCEPT M-EB-3200TS,TA					2	
20		SM6040602TP		SCREW M4 L=6	EXCEPT M-EB-3200TS,TA					1	
21		SS6110610TP		SCREW 11/64-40 L=6	EXCEPT M-EB-3200TS,TA					1	
22		SS7110840SP		SCREW 11/64-40 L=7.8	EXCEPT M-EB-3200TS,TA					2	
23		B3107352000		NEEDLE THREAD GUIDE	FOR MEB--3200JS,CS,JA,CA					1	
24		B3108352000		NEEDLE THREAD TENSION POST	FOR MEB--3200JS,CS,JA,CA					1	
25		22928808		NUT	FOR MEB--3200JS,CS,JA,CA					2	
26	R	B3126012000	22921506	THREAD TENSION DISK	FOR MEB--3200JS,CS,JA,CA					2	1.00
27		B3129012A00		TENSION SPRING	FOR MEB--3200JS,CS,JA,CA					1	
28		NS6150430SP		NUT 15/64-28	FOR MEB--3200JS,CS,JA,CA					2	
29		WP0450801SP		WASHER	EXCEPT M-EB-3200TS,TA					2	





CLOTH CUTTING COMPONENTS (1)

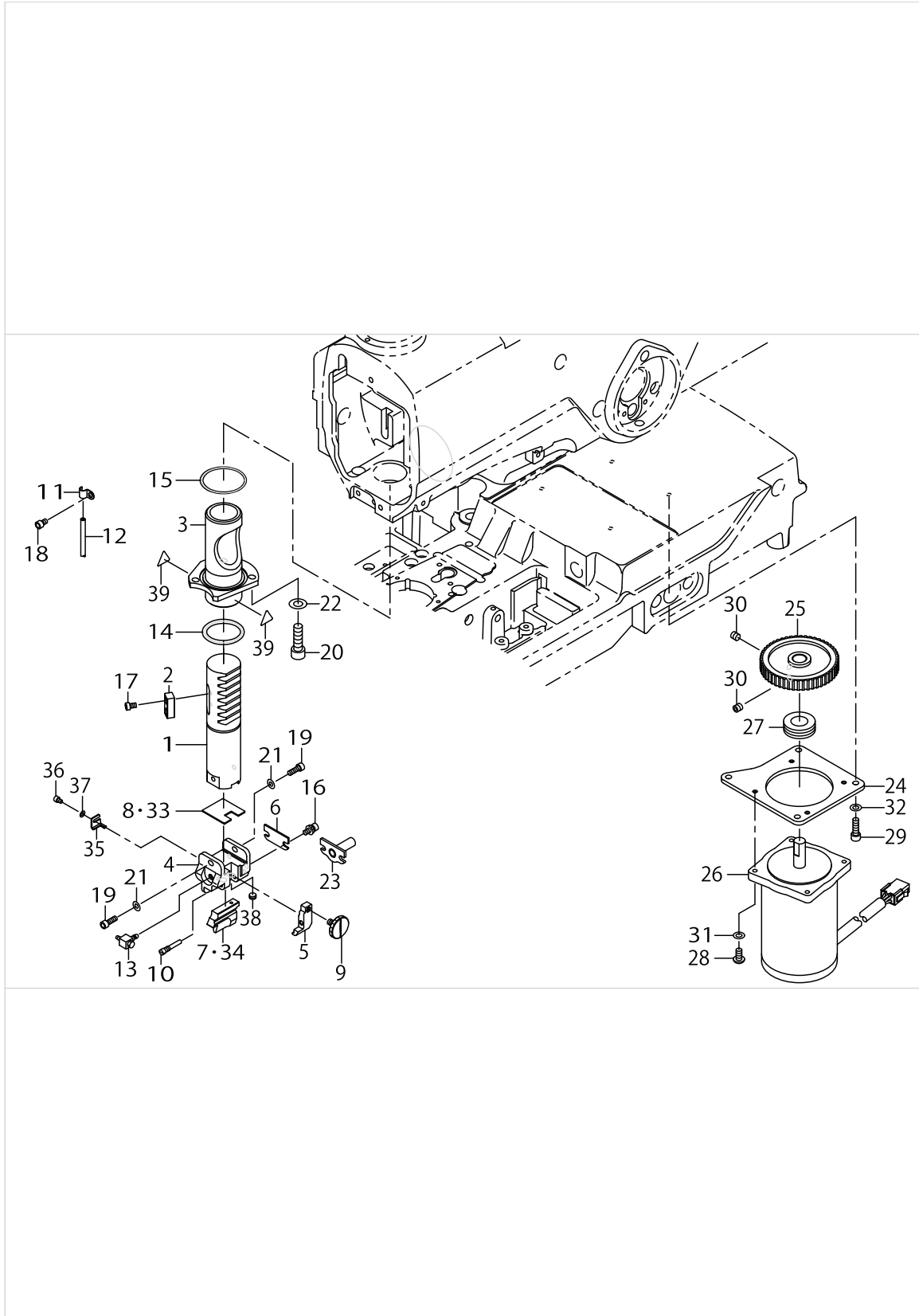
No.	Supply Code	Parts No.	Replacement	Parts name	Remarks	Choice	Step	Level	Cons	Qty	Rep. QTY
1		32061715		KNIFE BASE						1	
2		32061806		KNIFE BASE KEY						1	
3		32061913		DUST CHUTE,L						1	
4		14040703		KNIFE FIX PLATE, LOWER						1	
5		14040802		KNIFE STOPPER(UPPER, LOWER)						1	
6		14041206		CUTTING KNIFE, EYELET	EXCEPT M- EB-3200J- S,CS,TS,JA, CA,TA				☆	1	
7		BT1200801EF		TUBE						1.5	
8		PJ032052503		HOSE NIPPLE						1	
9		SM6030402TP		SCREW M3X0.5 L=4						1	
10		SM6041202TP		SCREW M4X0.7 L=12						2	
11		SM6051202TP		SCREW M5X0.8 L=12						3	
12		SM6051602TP		SCREW M5X0.8 L=16						1	
13		SM8030602TP		SCREW M3X0.5 L=6						1	
14		WP0320500SD		M3 WASHER						1	
15		32059701		BALL THREAD GEAR						1	
16		32059800		WASHER (UPPER)						2	
17		32059909		BALL THREAD						1	
18		32060006		HOUSING						1	
19		32060303		LINK						2	
20		32060402		LINK SHAFT, B						2	
21		32060501		LINK SHAFT, A						2	
22		32060600		LEVER						1	
23		32060709		DRIVING SHAFT						1	
24		32060808		DIRECT DRIVE GEAR						1	
25		40059365		CLOTH_CUTTING_DIAL						1	
26		G5103162000		FEED BLOCK STOPPER						1	
27		G5705880000		SHAFT HOLDER UNIT A						1	
28		NM6100001SC		NUT M10X1.5						2	
29		NM6610515SC		NUT						2	
30		PS0300182KH		SPRING PIN 3.3X18						1	
31		RC1850001KP		SNAP RING 18.5						1	
32		SB120000200		BEARING 20X42						2	
33		SB120000900		BEARING						2	
34		SB612000100		BEARING						1	
35		SB812000300		BEARING						1	
36		SL6051092TN		BOLT						1	
37		SM6051602TP		SCREW M5X0.8 L=16						2	
38		SM6060802TP		SCREW M6 L=8						4	
39		SM6062002TP		SCREW M6 L=20						4	
40		SM8060602TP		SCREW M6X6						2	
41		SS8701042TP		SCREW 5/16-24 L=10.0						1	
42		SS8701042TP		SCREW 5/16-24 L=10.0						1	
43		SS8701782TP		SCREW 5/16-24 L=17.0						1	
44		SS8701782TP		SCREW 5/16-24 L=17.0						1	
45		WP0531000SD		WASHER M5						2	



CLOTH CUTTING COMPONENTS (1)

No.	Supply Code	Parts No.	Replacement	Parts name	Remarks	Choice	Step	Level	Cons	Qty	Rep. QTY
46		WP0621016SH		WASHER						4	
47		WP0642016SD		WASHER 6.4X18.5X2						4	
48		WP1252210SC		WASHER 12.5X25.6X2.2						1	
49		SM6041602TP		SCREW M4X0.7 L=16						2	
50		NM6040003SC		NUT M4						2	
51	R	32077356	40044974	HOME POSITION SENSOR ASM.		A				1	1.00
51	R	32077356	40044973	HOME POSITION SENSOR ASM.		A				1	1.00
51	R	32077356	40044975	HOME POSITION SENSOR ASM.		A				1	1.00
51	R	32077356	40044972	HOME POSITION SENSOR ASM.		A				1	1.00
52	R	32077406	40044973	SENSOR BERCKET		A				1	1.00
52	R	32077406	40044972	SENSOR BERCKET		A				1	1.00
52	R	32077406	40044974	SENSOR BERCKET		A				1	1.00
52	R	32077406	40044975	SENSOR BERCKET		A				1	1.00
53		SS7110840SP		SCREW 11/64-40 L=7.8						2	
54		32077505		SENSOR SLIT						1	
55		SM6040602TP		SCREW M4 L=6						2	
56		WP0430801SC		WASHER 4.3X9X0.8						2	
57		16121907		HOSE BAND						1	
58		HX00065000A		CABLE CLIP						1	
59		32075301		CLOTH KNIFE LEVER FELT						2	
60		32063604		CUTTING KNIFE (EYELET), S	FOR MEB-- 3200CS,TS,CA,TA				☆	1	
61		PS0200052KH		SPRING PIN 2.3X5						2	
62		32063703		CUTTING KNIFE (EYELET), M	FOR MEB-- 3200JS,JA				☆	1	
63		32068702		CUTTING PLATE A	EXCEPT M- EB-3200J- S,CS,TS,JA, CA,TA					1	
64		32068801		CUTTING PLATE B	FOR MEB-- 3200JS,CS- ,TS,JA, CA,TA					1	
65		EA9500B0200		CABLE BAND 150						1	
66		SM8060602TP		SCREW M6X6						2	

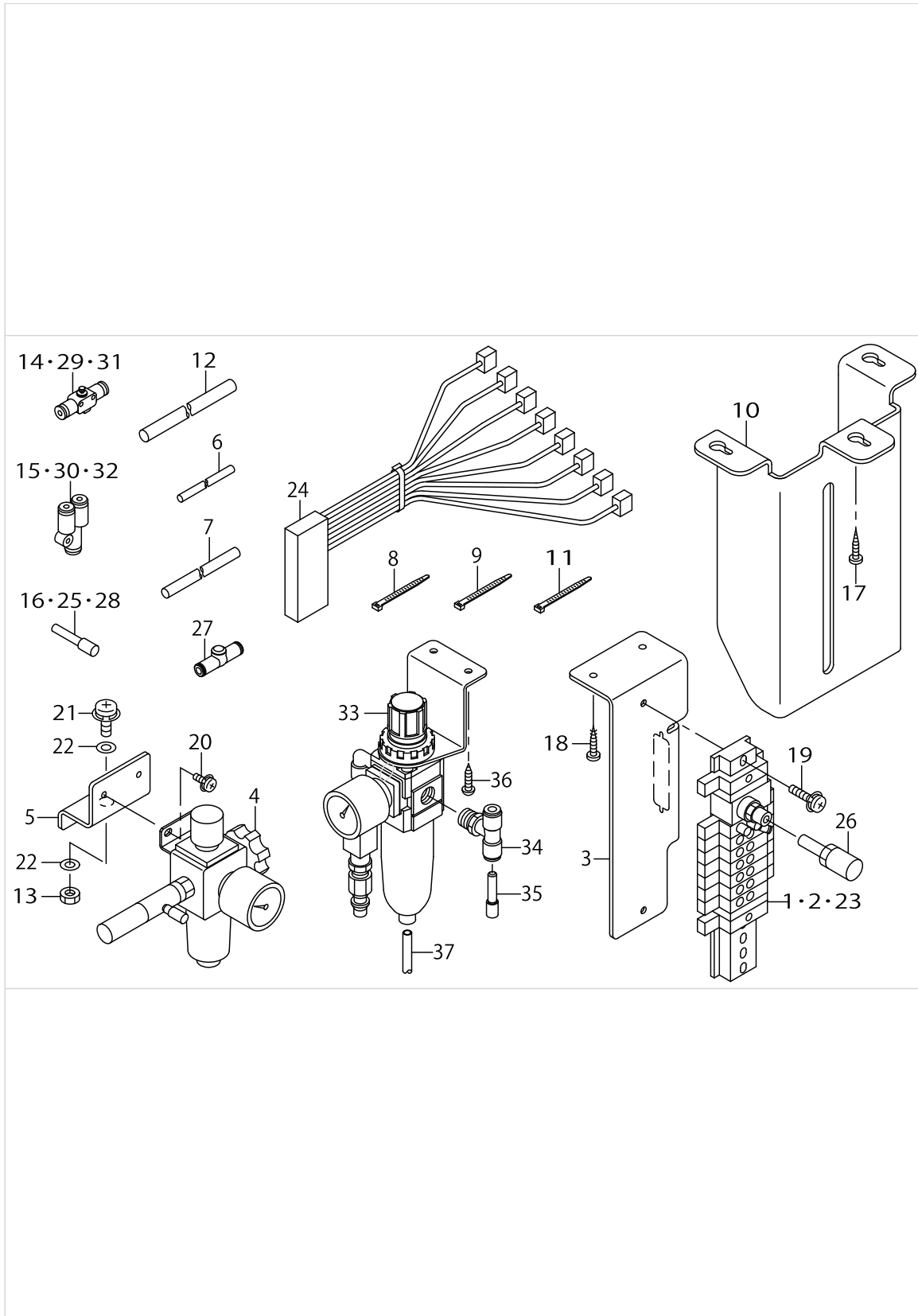
CLOTH CUTTING COMPONENTS (2)



CLOTH CUTTING COMPONENTS (2)

No.	Supply Code	Parts No.	Replacement	Parts name	Remarks	Choice	Step	Level	Cons	Qty	Rep. QTY
1		32060907		DIRECT DRIVE SHAFT						1	
2		32061004		DIRECT DRIVE KEY						1	
3		32061103		DIRECT DRIVE METAL						1	
4		32061210		CUTTING KNIFE FITTING BASE						1	
5		32061319		KNIFE FIXING PLATE						1	
6		32061400		DUST CHUTE COVER						1	
7		32068009		KNIFE HOLDER, 22MM (EYELET) H	EXCEPT M-EB-3200C-S, TS, CA, TA				☆	1	
8		32065500		SPACER, A	SELECTIVE PARTS					1	
9		32068900		KNIFE FIXING SCREW						1	
10		14039507		SCREW						1	
11		B3538112000		OIL RETURN TUBE HOLDER						1	
12		BT0400251EB		URETHANE HOSE, BLACK						3	
13		PJ046052501		ELBOW						1	
14		RO297350100		O-RING						1	
15		RO455200200		O-RING						1	
16		SL6041092TN		SCREW						2	
17		SM6030802TN		BOLT						2	
18		SM6040602TP		SCREW M4 L=6						1	
19		SM6041202TN		SCREW M4X0.7 L=12						2	
20		SM6062002TN		SCREW M6 L=20						3	
21		WP0430801SC		WASHER 4.3X9X0.8						2	
22		WP0641601SC		WASHER						3	
23		32061558		DUST CHUTE ASM.	OPTIONAL PARTS					1	
24		32059503		MOTOR FITTING BASE						1	
25		32059602		MOTOR GEAR						1	
26		KM000000300		PULSE MOTOR						1	
27		SB412000100		BEARING						1	
28		SM4051055SP		SCREW						4	
29		SM6051602TP		SCREW M5X0.8 L=16						4	
30		SM8060602TP		SCREW M6 L=6						2	
31		WP0531000SD		WASHER M5						4	
32		WP0531000SD		WASHER M5						4	
33		32066805		CLOTH CUTTING SPACER	SELECTIVE PARTS					1	
34		32068207		KNIFE HOLDER, 18MM (EYELET) H	FOR MEB--3200CS, TS, CA, TA				☆	1	
35		14040802		KNIFE STOPPER (UPPER, LOWER)						1	
36		SM6030402TP		SCREW M3X0.5 L=4						1	
37		WP0320500SD		M3 WASHER						1	
38		SS8660330SP		SCREW 1/4-40 L=3.0	EXCEPT M-EB-3200SS, RS					2	
39		CM300200001		ATTENTION SEAL						2	

AIR COMPONENTS

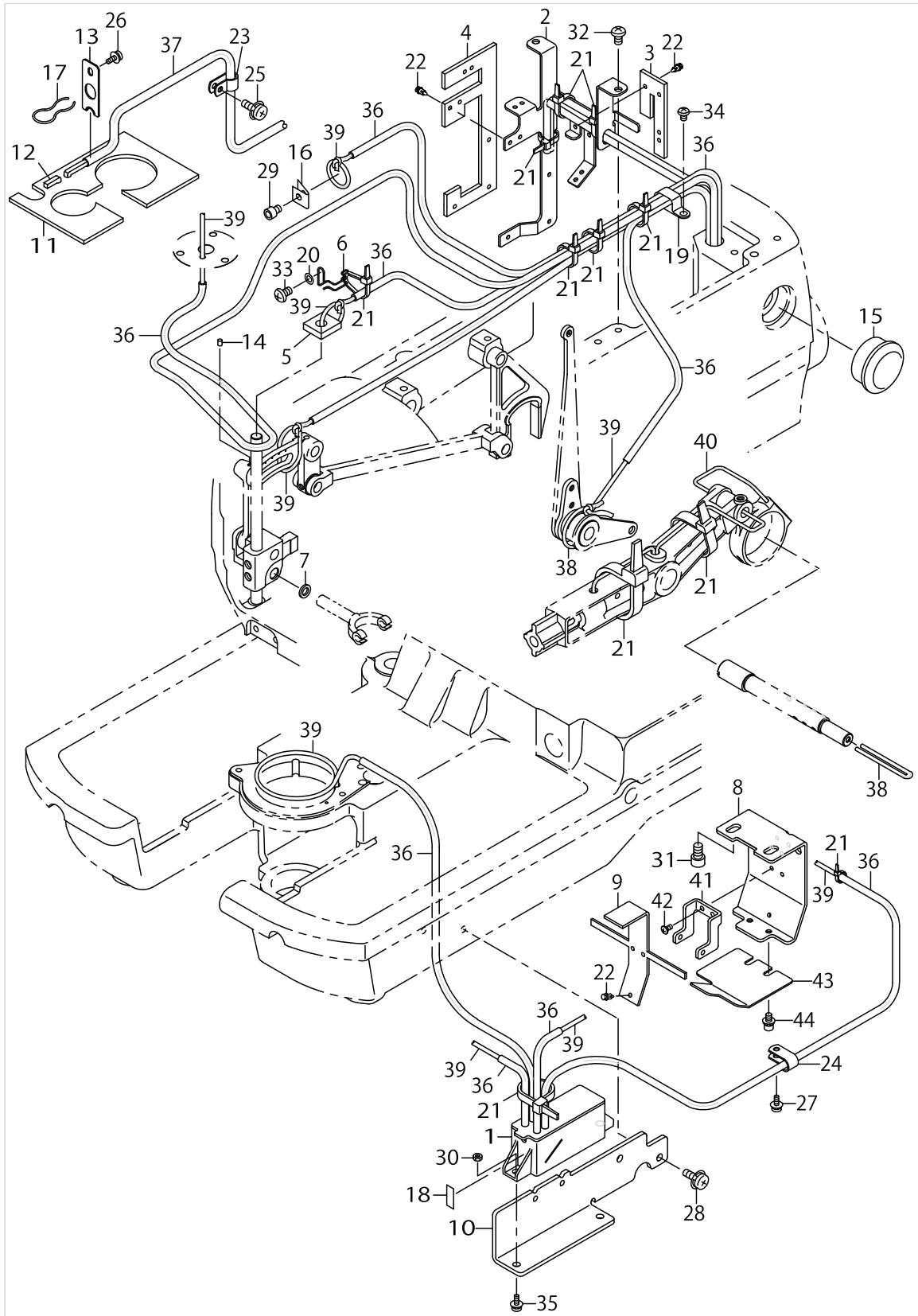


AIR COMPONENTS

No.	Supply Code	Parts No.	Replacement	Parts name	Remarks	Choice	Step	Level	Cons	Qty	Rep. QTY
1		32072118		SOLENOID VALVE, 7	FOR MEB-- 3200SS,RS					1	
2		32072217		SOLENOID VALVE, 6	FOR MEB-- 3200JS,CS,JA,CA					1	
3		32072001		SORENOID VALVE FITTING BASE						1	
4		B47152150A0		FILTER REGULATOR ASM.	EXCEPT CHINA					1	
5		40023662		FILTER INSTALLING PLATE	EXCEPT CHINA					1	
6		BT0400251EB		URETHANE HOSE, BLACK						19.6	
7		BT0600401EB		TUBE						1.7	
8		EA9500B0100		CABLE BAND						2	
9		EA9500B0100		CABLE BAND						2	
10		32072308		SOLENOID COVER						1	
11		HX002330000		CLIP						12	
12		HX00364000E		PARTS						1	
13		NM6080721SE		NUT M8	EXCEPT CHINA					1	
14		PC012401000		SPEED CONTROLLER	FOR MEB-- 3200JS,CS,JA,CA					4	
15		PJ308040002		QUICK COUPLING	FOR MEB-- 3200JS,CS,JA,CA					5	
16		PX500014000		PLUG	FOR MEB-- 3200SS,RS					4	
17		SK3452001SE		WOOD SCREW D=4.5 L=20						3	
18		SK3452001SE		WOOD SCREW D=4.5 L=20						2	
19		SL4051091SC		SCREW M5X0.8 L=10						2	
20		SL4051091SC		SCREW M5X0.8 L=10	EXCEPT CHINA					2	
21		SL9082093SE		SCREW	EXCEPT CHINA					1	
22		WP0871602SE		WASHER 8.7X18X1.6	EXCEPT CHINA					2	
23		32072407		SOLENOID VALVE, 5	FOR MEB-- 3200TS,TA					1	
24		M90156200A0A		SOLENOID VALVE CABLE ASM.						1	
25		PX500014000		PLUG	FOR MEB-- 3200JS,CS,JA,CA					2	
26		PX050003000		SILENCER						1	
27		PV010015000		VALVE						2	
28		PX500014000		PLUG	FOR MEB-- 3200TS,TA					3	
29		PC012401000		SPEED CONTROLLER	FOR MEB-- 3200SS,RS					5	
30		PJ308040002		QUICK COUPLING	FOR MEB-- 3200SS,RS					4	
31		PC012401000		SPEED CONTROLLER	FOR MEB-- 3200TS,TA					3	
32		PJ308040002		QUICK COUPLING	FOR MEB-- 3200TS,TA					4	
33		40091928		FILTER REGULATOR ASM.	FOR CHINA					1	
34		PJ305065204		DOUBLE-ENDED T UNION	FOR CHINA					1	
35		PX950001000		PLUG	FOR CHINA					1	
36		SK3452001SE		WOOD SCREW D=4.5 L=20	FOR CHINA					2	
37		BT0600401EB		TUBE	FOR CHINA					1	



# LUBRICATION MECHANISM COMPONENTS



LUBRICATION MECHANISM COMPONENTS

No.	Supply Code	Parts No.	Replacement	Parts name	Remarks	Choice	Step	Level	Cons	Qty	Rep. QTY
1		32074759		BED OIL TANK ASM.						1	
2		32073504		ARM LUBRICATION PLATE						1	
3		32073603		ARM LUBRICATION FELT, A						1	
4		32073702		ARM LUBRICATION FELT, B						1	
5	D	32073801		LUBRICATION FELT						1	
6	D	32073900		FELT HOLDER						1	
7		32074106		FELT						1	
8		40099934		CAM LUBRICATION PLATE						1	
9		40099937		OIL FELT						1	
10		32074908		BED OIL TANK FIXING BASE						1	
11		32075400		ARM FELT						1	
12		32075509		OIL RETURN FELT						1	
13		32075608		OIL RETURN PIPE HOLDER						1	
14		B1821210D00		SHUTTLE OIL FELT,B						1	
15		B3501210000		OIL GAUGE						1	
16		B3518280000		BALANCE LUBRICATING						1	
17	D	B3529226000		OIL FELT PRESSER						1	
18		B1140761000		OILING LABEL						1	
19		D2112555B00		CORD HOLDER, LARGE						1	
20		WP0480856SP		WASHER 4.8X8.4X0.8						1	
21		EA9500B0100		CABLE BAND						9	
22		HX00094000A		NYLON RIVET						15	
23		HX00150000C		CABLE CLIP						1	
24		HX00150000C		CABLE CLIP						1	
25		SL6040892TN		BOLT						1	
26		SL6040892TN		BOLT						1	
27		SL6041092TN		SCREW						1	
28		SL6051092TN		BOLT						2	
29		SM6040502TP		SCREW M4X0.7 L=5						1	
30		NM6050001SP		NUT M5						2	
31		SM6061002TP		SCREW M6 L=10						2	
32		SS4110715SP		SCREW 11/64-40 L=7						2	
33		SS4110715SP		SCREW 11/64-40 L=7						1	
34		SS4120615SP		SCREW 3/16-28 L=6						1	
35		SL4051291SC		SCREW M5X0.8 L=12						2	
36		BP300000100		VINYL TUBE						4.3	
37		BP500000000		VINYL PIPE						.5	
38		CQ200000000		OIL WICK						3.5	
39		CQ252200000		OIL WICK						4.6	
40		CQ202000000		OIL WICK						.3	
41		40099935		FELT HOLDER PLATE						1	
42		SM0030601SC		SCREW M3X0.5 L=6						2	
43		40099936		LOOPER CAM COVER						1	
44		SL6040892TN		SCREW M4 L=8						2	

TABLE COMPONENTS

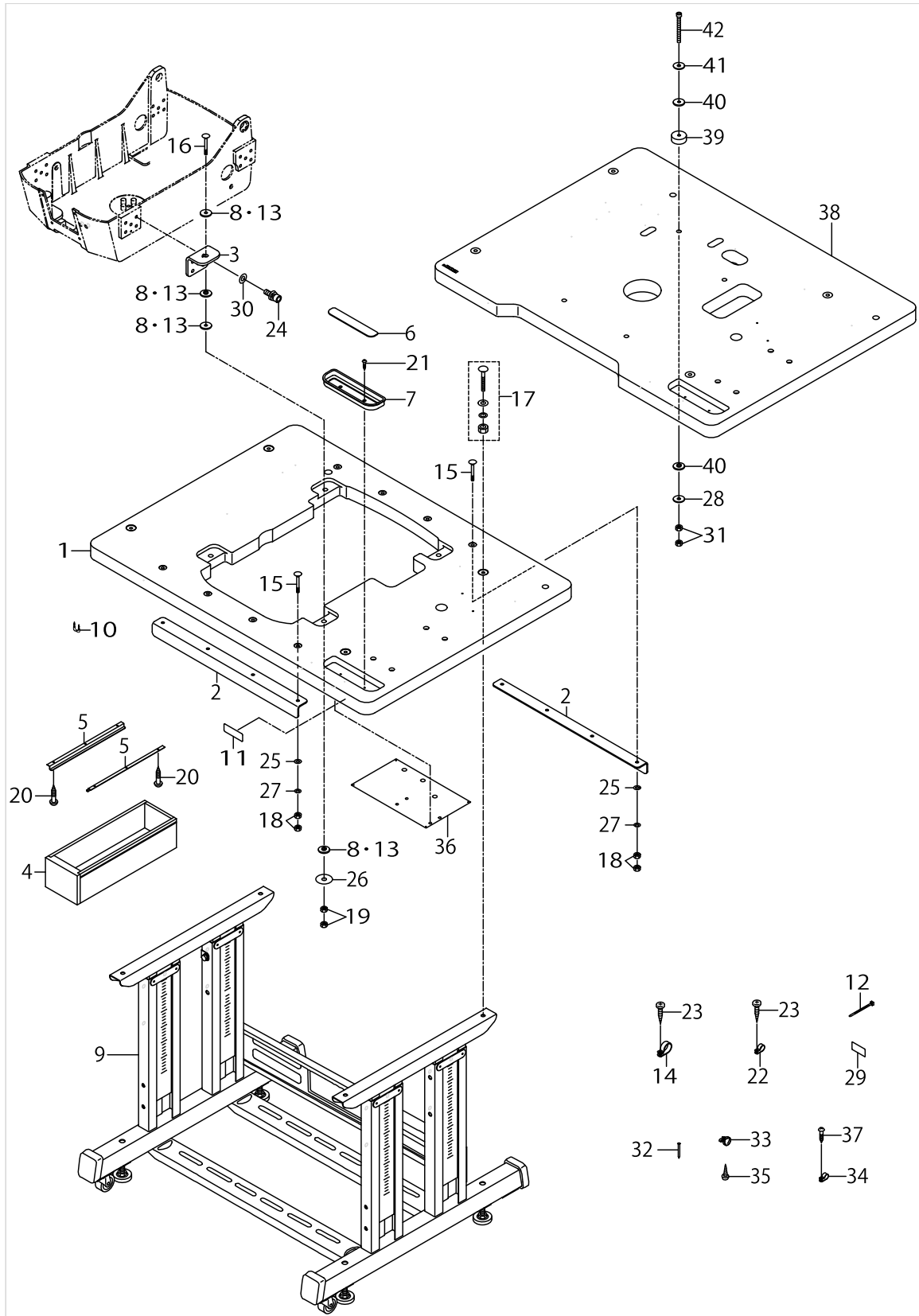


TABLE COMPONENTS

No.	Supply Code	Parts No.	Replacement	Parts name	Remarks	Choice	Step	Level	Cons	Qty	Rep. QTY
1		40158930		SEMI-SUNKEN TABLE ASM	EXCEPT M-EB-3200JA,CA,TA					1	
2		32080707		TABLE REINFORCEMENT PLATE						2	
3		32080806		BOTTOM COVER STAY						4	
4	R	11155108	11155157	DRAWER						1	1.00
5		11155207		DRAWER SUPPORT						2	
6		11155801		CASE MAGNET						1	
7		11156007		CASE						1	
8		14003701		BOLT CUSHION A	EXCEPT M-EB-3200JA,CA,TA					16	
9	D R	B8101221DA0	B8101221DB0	STAND ASM.		A				1	1.00
9	D R	B8101221DA0	B8110373N00	STAND ASM.		A				1	4.00
9	D R	B8101221DA0	B8150221D00	STAND ASM.		A				1	4.00
10		D8204555D00		DRAWER STOPPER						1	
11		40094560		CE MARKING LABEL (EU)	FOR JE					1	
12		HX00065000A		CABLE CLIP						3	
13		14003701		BOLT CUSHION A	FOR MEB--3200JA,CA,TA					14	
14		HX00150000N		CABLE CLIP						2	
15		MAO11108N00		PEDAL SWITCH FRAME BOLT	EXCEPT M-EB-3200JA,CA,TA					8	
16		MAO11108N00		PEDAL SWITCH FRAME BOLT						4	
17		MTJMS00000S		SCREW SET						4	
18		NM6060001SC		NUT M6	EXCEPT M-EB-3200JA,CA,TA					16	
19		NM6060001SC		NUT M6						8	
20		SK3311601SE		WOOD SCREW D=3.1 L=16						6	
21		SK3382001SE		SCREW D=3.8 L=20						2	
22		HX00150000H		CABLE CLIP						2	
23		SK3382001SE		SCREW D=3.8 L=20						4	
24		SM6082502TN		BOLT						20	
25		WP0641601SC		WASHER	EXCEPT M-EB-3200JA,CA,TA					8	
26		WP0852086SC		WASHER M8						4	
27		WS0610002KN		SPRING WASHER 6.1X12.2X1.5	EXCEPT M-EB-3200JA,CA,TA					8	
28		WP0852086SC		WASHER M8	FOR MEB--3200JA,CA,TA					4	
29		16870206		GRAVITY SEAL						1	
30		WP0850002SP		WASHER 8.5X18X1.6						20	
31		NM6060001SC		NUT M6	FOR MEB--3200JA,CA,TA					8	
32		B8210012000		CUSHION SET NAIL	FOR JE					3	
33		HX001350000		CABLE CLAMP						1	
34		HX00150000F		CABLE CLIP						1	
35		SK1272001SE		WOOD SCREW D=2.7 L=20						1	
36		32080905		EARTH PLATE						1	
37		SK3412001SE		WOOD SCREW D=4.1 L=20						1	
38		40158931		TABLE A ASM	FOR MEB--3200JA,CA,TA					1	
39		14003800		BOLT CUSHION B	FOR MEB--3200JA,CA,TA					4	
40		14003701		BOLT CUSHION A	FOR MEB--3200JA,CA,TA					4	

TABLE COMPONENTS

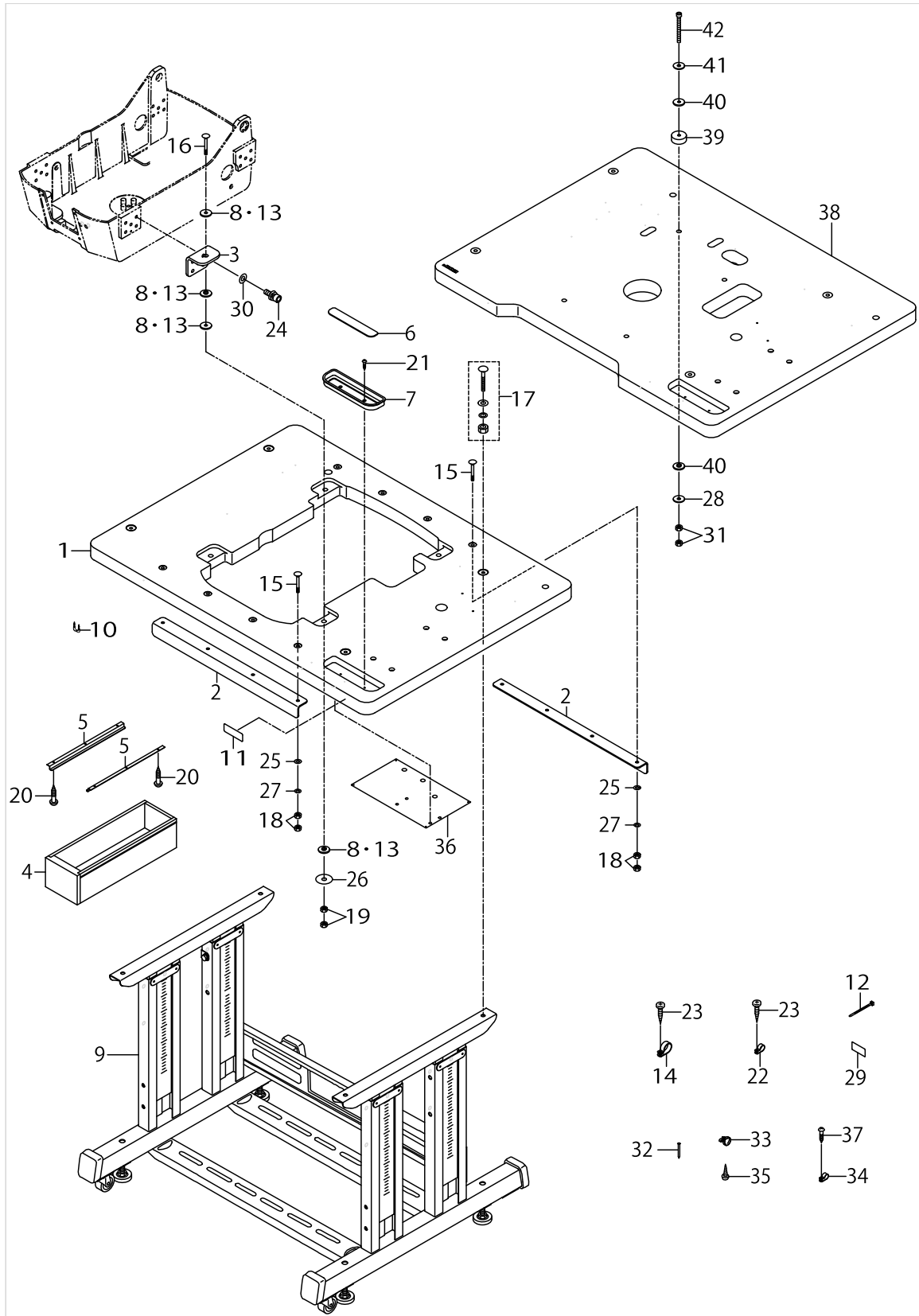
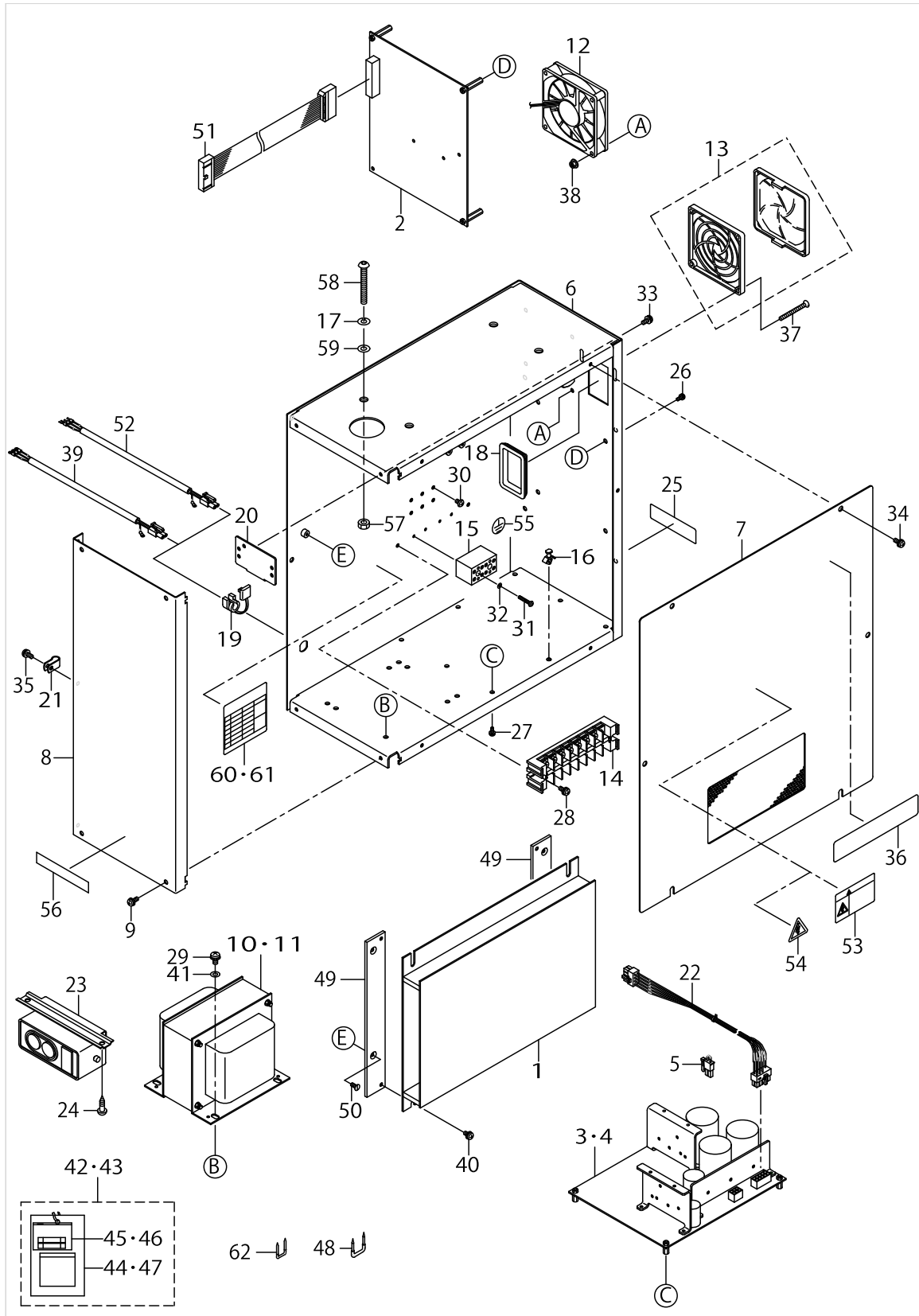


TABLE COMPONENTS

No.	Supply Code	Parts No.	Replacement	Parts name	Remarks	Choice	Step	Level	Cons	Qty	Rep. QTY
41		WP0852086SC		WASHER M8	FOR MEB-- 3200JA,CA,TA					4	
42		SM6088502TP		SCREW M8 L=85	FOR MEB-- 3200JA,CA,TA					4	

TRANSMISSION COMPONENTS (1)

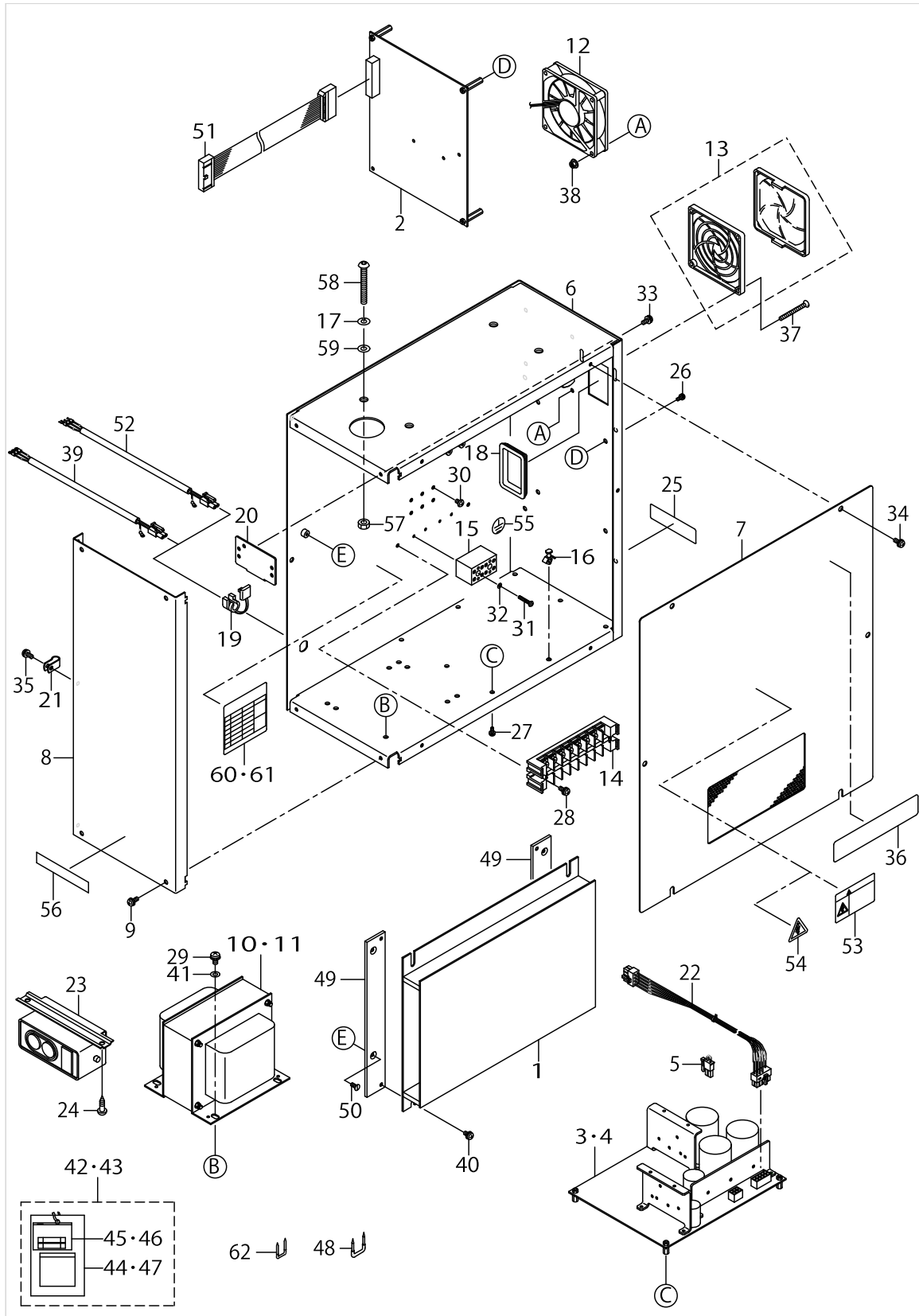


TRANSMISSION COMPONENTS (1)

No.	Supply Code	Parts No.	Replacement	Parts name	Remarks	Choice	Step	Level	Cons	Qty	Rep. QTY
1		M8601620AA0		MAIN CIRCUIT BOARD A ASM.						1	
2		40042767		SDC_PCB_ASSY						1	
3		40059718		PWR CIRCUIT BOARD AB ASM.	SELECTVE PARTS(100V,200V)					1	
4		40059719		PWR CIRCUIT BOARD BB ASM.	SELECTVE PARTS(220V,380V)					1	
5		M85236000A0		INPUT CHANGEOVER CORD ASM.	FOR USE IN JAPAN (1- $\phi$ ,100V) S-ELECTVE PARTS(1 $\phi$ ,3 $\phi$ )					1	
6	D	40098641		CONTROL BOX						1	
7		40098646		CONTROL BOX COVER ASM						1	
8	R	M1003590000	40098642	CONTROL BOX PANEL						1	1.00
9		SM0040601SC		SCREW M4X0.7 L=6						4	
10		M8901620BA0		POWER TRANSFORMER B ASM.	SELECTVE PARTS(220V,380V)					1	
11		M8901620AA0		POWER TRANSFORMER A ASM.	SELECTVE PARTS(100V,200V)					1	
12		M85405900A0		FAN ASM.						1	
13		HM000860010		FAN FILTER						1	
14		HK026650080		TERMINAL BASE 8P	SELECTVE PARTS(100V,200V)					1	
15		HK054250040		TERMINAL BASE	SELECTVE PARTS(220V,380V)					2	
16		HX00147000C		SPACER						4	
17		WS0610002KN		SPRING WASHER 6.1X12.2X1.5						4	
18		HX004070000		BUSH						1	
19		HX004100000		BUSH						1	
20		17845009		CORDFITTINGPLATE						1	
21		HX00123000B		CABLE CLIP						1	
22		M90076200A0		DC POWER CORD ASM.						1	
23		HA004250000		SWITCH	FOR THREE PHASE (E-XCEPT JE)					1	
24		SK3512001SE		WOOD SCREW D=5.1 L=20						2	
25		40051640		ELECTRICAL_RATING_LABEL_UNIVERSAL	FOR USE IN JAPAN (1 $\phi$ ,3 $\phi$ )					1	
26		SL4030891SC		SCREW M3X8						4	
27		SL4030891SC		SCREW M3X8						4	
28		SL4041081SF		SCREW M4 L=10	SELECTVE PARTS(100V,200V)					2	
29		SL4051091SC		SCREW M5X0.8 L=10						4	
30		SL4040681SC		COMBINATION SCREW M4 X 8						5	
31		SM4031851SR		SCREW	SELECTVE PARTS(220V,380V)					4	
32		WS0310702KS		SPRING WASHER	SELECTVE PARTS(220V,380V)					4	
33		SL4041091SC		SCREW M4 L=10						2	
34		SL4041091SC		SCREW M4 L=10						6	
35		SL4041091SC		SCREW M4 L=10						3	
36		M3009510000		FAN CLEANING LABEL						1	
37		SM1044050SM		SCREW M4X0.7 L=40						2	
38		NM3040520SF		FLANGE NUT M4						2	
39		M85216000A0		BOX POWER CORD ASM.	SELECTVE PARTS(100V,200V)					1	



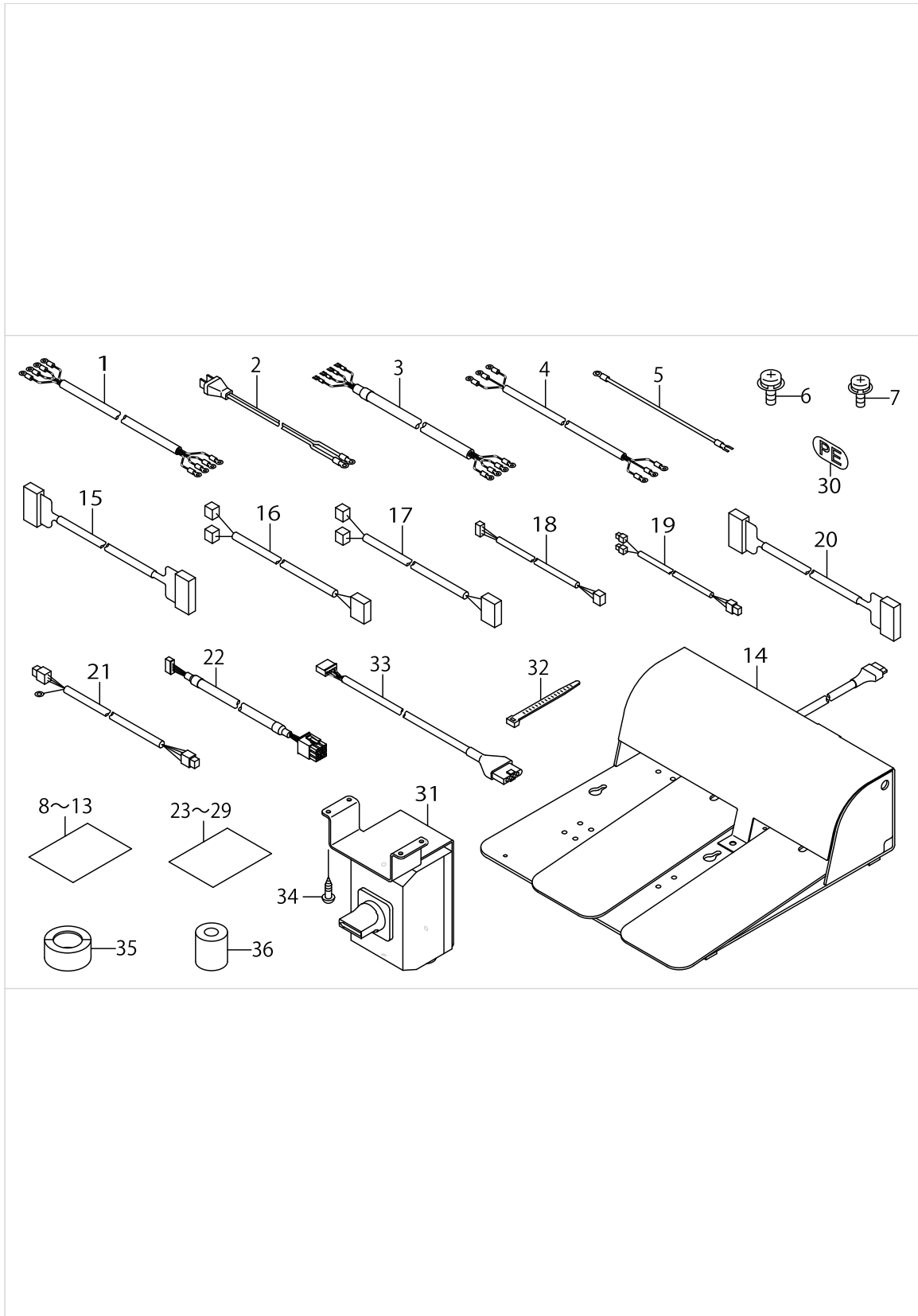
TRANSMISSION COMPONENTS (1)



TRANSMISSION COMPONENTS (1)

No.	Supply Code	Parts No.	Replacement	Parts name	Remarks	Choice	Step	Level	Cons	Qty	Rep. QTY
40		SL4041091SC		SCREW M4 L=10						4	
41		WP0550836SC		WASHER 5.5X12X0.8						4	
42		M8599600AA0		ACCESSORIE PART A ASM.	FOR USE IN JAPAN (1 $\phi$ ,3 $\phi$ )					1	
43		M85046200A0		ACCESSORIE PART ASM.	FOR EXPORT(1 $\phi$ ,3 $\phi$ )					1	
44		M300451100A		VOLTAGE INDICATION CARD,A	FOR THREE PHASE (EXCEPT JE), FOR EXPORT(1 $\phi$ ,3 $\phi$ )			*		1	
45		HF001301000		TIMING LAG FUSE 10A				*		1	
46		HF0084063P0		TIMING LAG FUSE 6.3A				*		1	
47		M3011620000		VOLTAGE INDICATION CARD,	FOR JE, EXPORT(1 $\phi$ ,3 $\phi$ )			*		1	
48		D8204555D00		DRAWER STOPPER						2	
49		M1002620000		CIRCUIT BOARD FITTING PLATE						2	
50		SM1040801SC		SCREW M4X0.7 L=8						4	
51		M90226200A0		SDC·I/F CABLE ASM.						1	
52		M90236200A0		BOX POWER CORD ASM.	SELECTIVE PARTS(220V,380V)					1	
53		CM300100101		DANGER LABEL (SMALL)	FOR USE IN JAPAN (1 $\phi$ ,3 $\phi$ )					1	
54		CM300100001		LABEL	FOR JE, EXPORT(1 $\phi$ ,3 $\phi$ )					1	
55	R	10004109	22901805	GROUND MARK						1	1.00
56		24003600		BRAND MARK						1	
57		NM6060001SE		NUT M6						4	
58		SM3065052TC		SCREW						4	
59		WP0651001SC		WASHER						4	
60		M300359000A		SEAL A	FOR USE IN JAPAN (1 $\phi$ ,3 $\phi$ )					1	
61		M3003620000		SEAL B	FOR JE, EXPORT(1 $\phi$ ,3 $\phi$ )					1	
62		MAO11532000		CORD STAPLE(SMALL)						1	

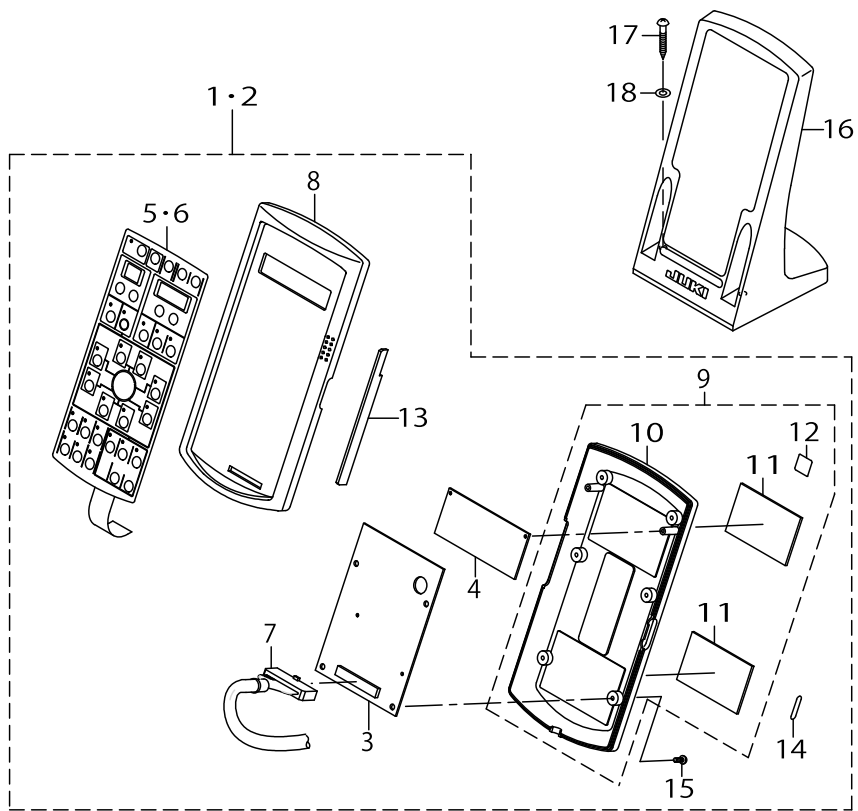
TRANSMISSION COMPONENTS (2)



TRANSMISSION COMPONENTS (2)

No.	Supply Code	Parts No.	Replacement	Parts name	Remarks	Choice	Step	Level	Cons	Qty	Rep. QTY
1		M90175800A0		POWER CABLE ASM.	FOR THREE PHASE (E- XCEPT JE)					1	
2		M90355800A0		POWER SOURCE CORD ASM.	FOR USE IN JAPAN (1 φ 100V)					1	
3		M90285800A0		POWER CABLE ASM.	FOR JE					1	
4		M90245800A0		POWER CABLE ASM.	FOR EXPORT (1 φ)					1	
5		M90345800A0		GROUND CORD ASM.	FOR USE IN JAPAN (1 φ 100V)					1	
6		SL4860891SC		SCREW M2.6X8						2	
7		SL4040681SC		COMBINATION SCREW M4 X 8						1	
8		BME01100000		VOLTAGE INDICATION SEAL	SELECTVE PARTS(1 φ 100V)					1	
9		BME01110000		VOLTAGE INDICATION SEAL	SELECTVE PARTS(100V,200V)					1	
10		BME01120000		VOLTAGE INDICATION SEAL	SELECTVE PARTS(100V,200V)					1	
11		BME03200000		VOLTAGE INDICATION SEAL	SELECTVE PARTS(3 φ 200V)					1	
12		BME03220000		VOLTAGE INDICATION SEAL	SELECTVE PARTS(100V,200V)					1	
13		BME03240000		VOLTAGE INDICATION SEAL						1	
14		M85905130AA		PEDAL SWITCH ASM.	OPTIONAL PARTS					1	
15		M90016200A0		RELAY CABLE ASM.						1	
16		M90026200A0		RELAY CABLE ASM.						1	
17		M90036200A0		RELAY CABLE ASM.						1	
18		M90106200A0		SENSOR CABLE ASM.						1	
19		M90116200A0		AT CABLE ASM.						1	
20		M90136200A0		RELAY CABLE ASM.						1	
21		M90046200A0		SERVO MOTOR CABLE ASM.						1	
22		40050672		ENCODER_CABLE_ASSY						1	
23		BME01220000		VOLTAGE INDICATION SEAL	SELECTVE PARTS(220V,380V)					1	
24		BME01230000		VOLTAGE INDICATION SEAL	SELECTVE PARTS(220V,380V)					1	
25		BME01240000		VOLTAGE INDICATION SEAL	SELECTVE PARTS(220V,380V)					1	
26		BME03220000		VOLTAGE INDICATION SEAL	SELECTVE PARTS(220V,380V)					1	
27		BME03240000		VOLTAGE INDICATION SEAL	SELECTVE PARTS(220V,380V)					1	
28		BME03400000		VOLTAGE INDICATION SEAL	SELECTVE PARTS(220V,380V)					1	
29		BME03415000		VOLTAGE INDICATION SEAL	SELECTVE PARTS(220V,380V)					1	
30		CM200100001		PE MARK LABEL	FOR JE					1	
31		M85125810A0		SWITCH	FOR JE					1	
32		HX00065000A		CABLE CLIP						3	
33		M90146200A0		PEDAL SWITCH CABLE ASM.	OPTIONAL PARTS					1	
34		SK3512001SF		WOOD SCREW	FOR JE					4	
35		HN002460000		CORES	FOR JE					3	
36		HN001490000		CLAMP FILTER(L)	FOR JE					2	

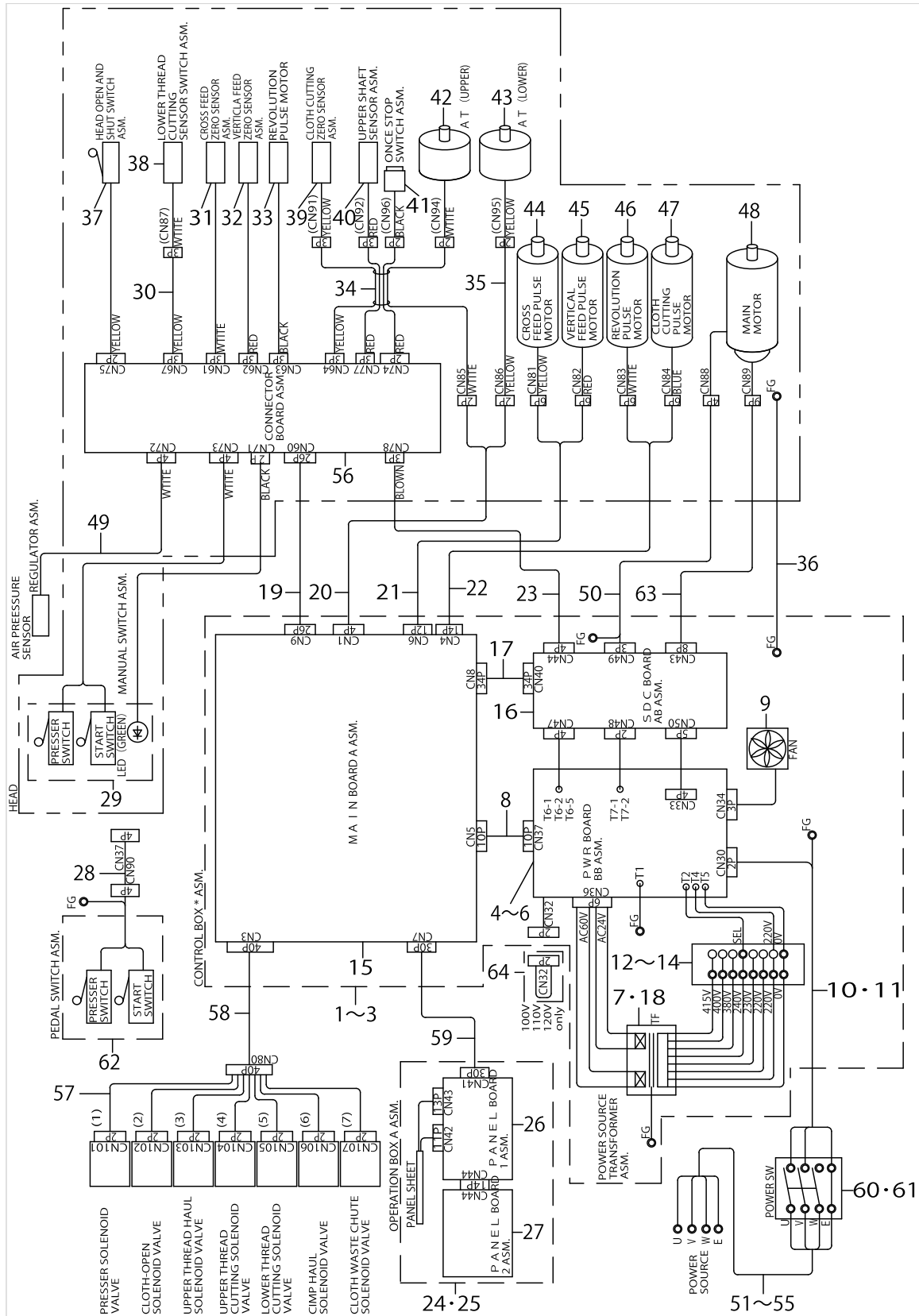
OPERATION BOX COMPONENTS



OPERATION BOX COMPONENTS

No.	Supply Code	Parts No.	Replacement	Parts name	Remarks	Choice	Step	Level	Cons	Qty	Rep. QTY
1		M8510620AA0		OPERATION BOX, A ASM.	FOR USE IN JAPAN					1	
2		M8510620BA0		OPERATION BOX, B ASM.	FOR EXPORT					1	
3		40164556		PANEL CIRCUIT BOARD 1				*		1	
4		40164557		PANEL CIRCUIT BOARD 2				*		1	
5		M3001620000		PANEL SEET (JAPAN)	FOR USE IN JAPAN			*		1	
6		M3002620000		PANEL SEET (ENGLISH)	FOR EXPORT			*		1	
7		M90216200A0		PANEL CABLE ASM.				*		1	
8		M1010600000		OPERATION BOX UPPER CASE				*		1	
9		M10315800A0		OPERATION BOX L- OWER CASE ASM.				*		1	
10		M1031580000		OPERATION BOX LOWER CASE				*		1	
11		M1011580000		MAGNET SHEET				*		2	
12		CM600100101		WEEE MARK LABEL S				*		1	
13		G1002007000		BLIND PLATE				*		1	
14		M2001600000		PANEL SIDE LABEL				*		1	
15		ST4031051SN		TAPPING SCREW D=3-24 L=10				*		6	
16		40035024		OPERATION_BOX_FI- XED_PLATE(B)ASM.						1	
17		SK3413201SE		WOOD SCREW D=4.1 L=32						2	
18		WP0501016SC		WASHER 5X10.5X1						2	

# WIRING DIAGRAM

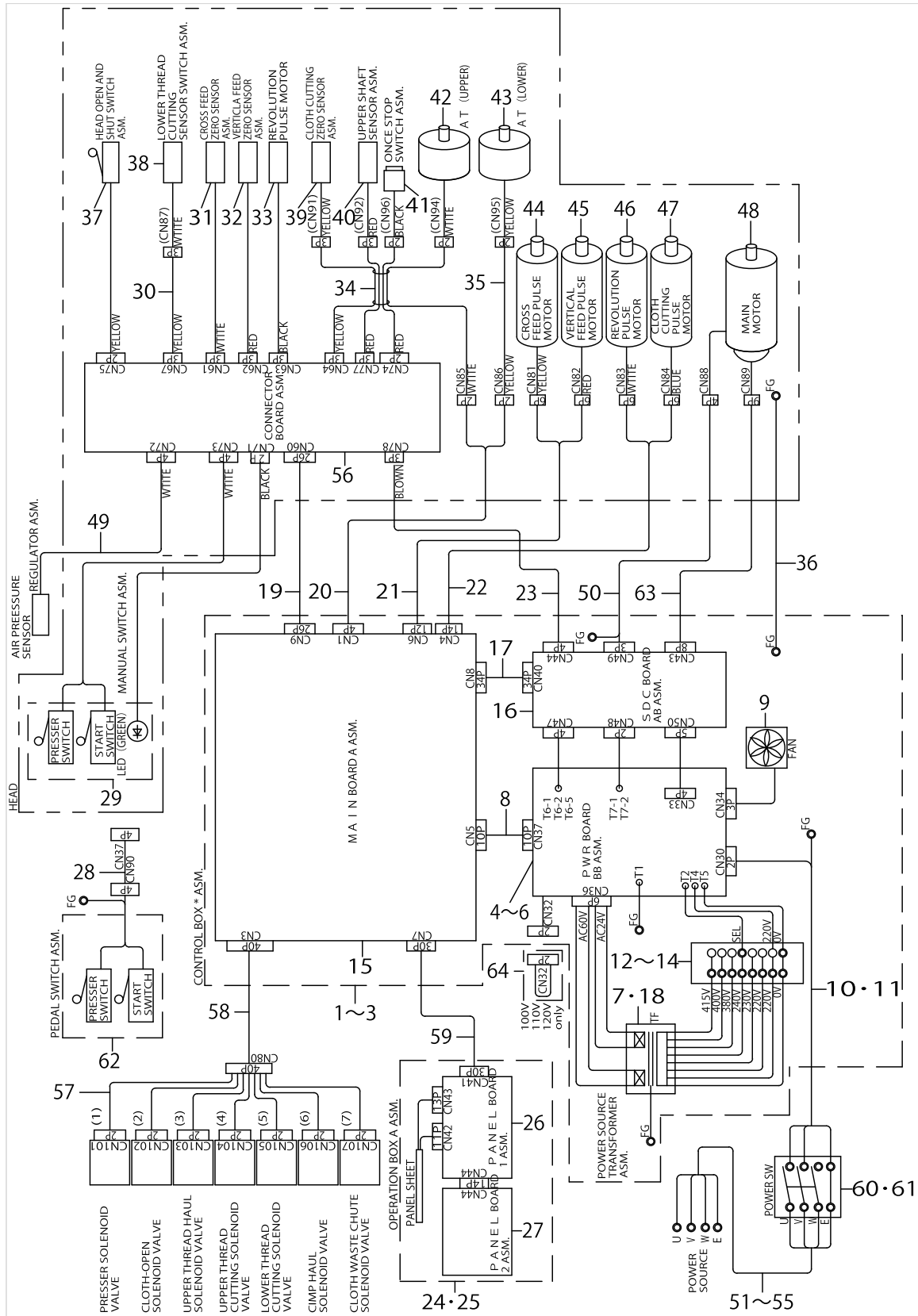


WIRING DIAGRAM

No.	Supply Code	Parts No.	Replacement	Parts name	Remarks	Choice	Step	Level	Cons	Qty	Rep. QTY
1		M8501620AA0		CONTROL BOX, A ASM.	FOR 100V,200V					1	
2		M8501620BA0		CONTROL BOX, B ASM.	FOR 220V,380V					1	
3		M8501620CA0		CONTROL BOX, C ASM.	FOR JE					1	
4		40059718		PWR CIRCUIT BOARD AB ASM.	FOR 100V,200V			*		1	
5		40059719		PWR CIRCUIT BOARD BB ASM.	FOR 220V,380V			*		1	
6		40059719		PWR CIRCUIT BOARD BB ASM.	FOR JE			*		1	
7		M8901620AA0		POWER TRANSFORMER, A ASM.				*		1	
8		M90076200A0		DC POWER SUPPLY CABLE ASM.				*		1	
9		M85405900A0		FAN ASM.				*		1	
10		M85216000A0		BOX POWER CORD ASM.				*		1	
11		M90236200A0		BOX POWER CORD ASM.	FOR JE			*		1	
12		HK026650080		TERMINAL BASE 8P	FOR 100V,200V			*		1	
13		HK054250040		TERMINAL BASE 4P	FOR 220V,380V			*		2	
14		HK054250040		TERMINAL BASE 4P	FOR JE			*		2	
15		M8601620AA0		MAIN CIRCUIT BOARD, A ASM.				*		1	
16		40042767		SDC_PCB_ASSY				*		1	
17		M90226200A0		SDC·I/F CABLE ASM.				*		1	
18		M8901620BA0		POWER TRANSFORMER, B ASM.	EXCEPT 100V,200V			*		1	
19		M90136200A0		RELAY CABLE ASM.						1	
20		M90116200A0		AT CABLE ASM.						1	
21		M90026200A0		PULSE MOTOR REL-AY CABLE,A ASM.						1	
22		M90036200A0		PULSE MOTOR REL-AY CABLE,B ASM.						1	
23		M90106200A0		UPPER SHAFT SENSOR CABLE ASM.						1	
24		M8510620AA0		OPERATION BOX, A ASM.	FOR USE IN JAPAN					1	
25		M8510620BA0		OPERATION BOX, B ASM.	FOR EXPORT					1	
26		M86036200A0		PANEL CIRCUIT BOARD, 1 ASM.				*		1	
27		M86046200A0		PANEL CIRCUIT BOARD, 2 ASM.				*		1	
28		M90146200A0		PEDAL SWITCH CABLE ASM.						1	
29		32076655		HAND SWITCH ASM.						1	
30		32078354		SENSOR CABLE ASM.	EXCEPT M-EB-3200TS					1	
31		32078057		HOME POSITION SENSOR CABLE ASM.						1	
32		32076853		HOME POSITION SENSOR CABLE ASM.						1	
33	R	32077059	40044972	HOME POSITION SENSOR CABLE ASM.		A				1	1.00
33	R	32077059	40044974	HOME POSITION SENSOR CABLE ASM.		A				1	1.00
33	R	32077059	40044975	HOME POSITION SENSOR CABLE ASM.		A				1	1.00
33	R	32077059	40044973	HOME POSITION SENSOR CABLE ASM.		A				1	1.00
34		32077950		RELAY CABLE ASM.						1	
35		32053357		RELAY CABLE ASM.						1	
36		M90206200A0		EARTH CORD ASM.						1	
37		32002255		SWITCH ASM.						1	
38		40021684		SENSOR SWITCH ASM.						1	
39	R	32077356	40044974	HOME POSITION SENSOR CABLE ASM.		A				1	1.00



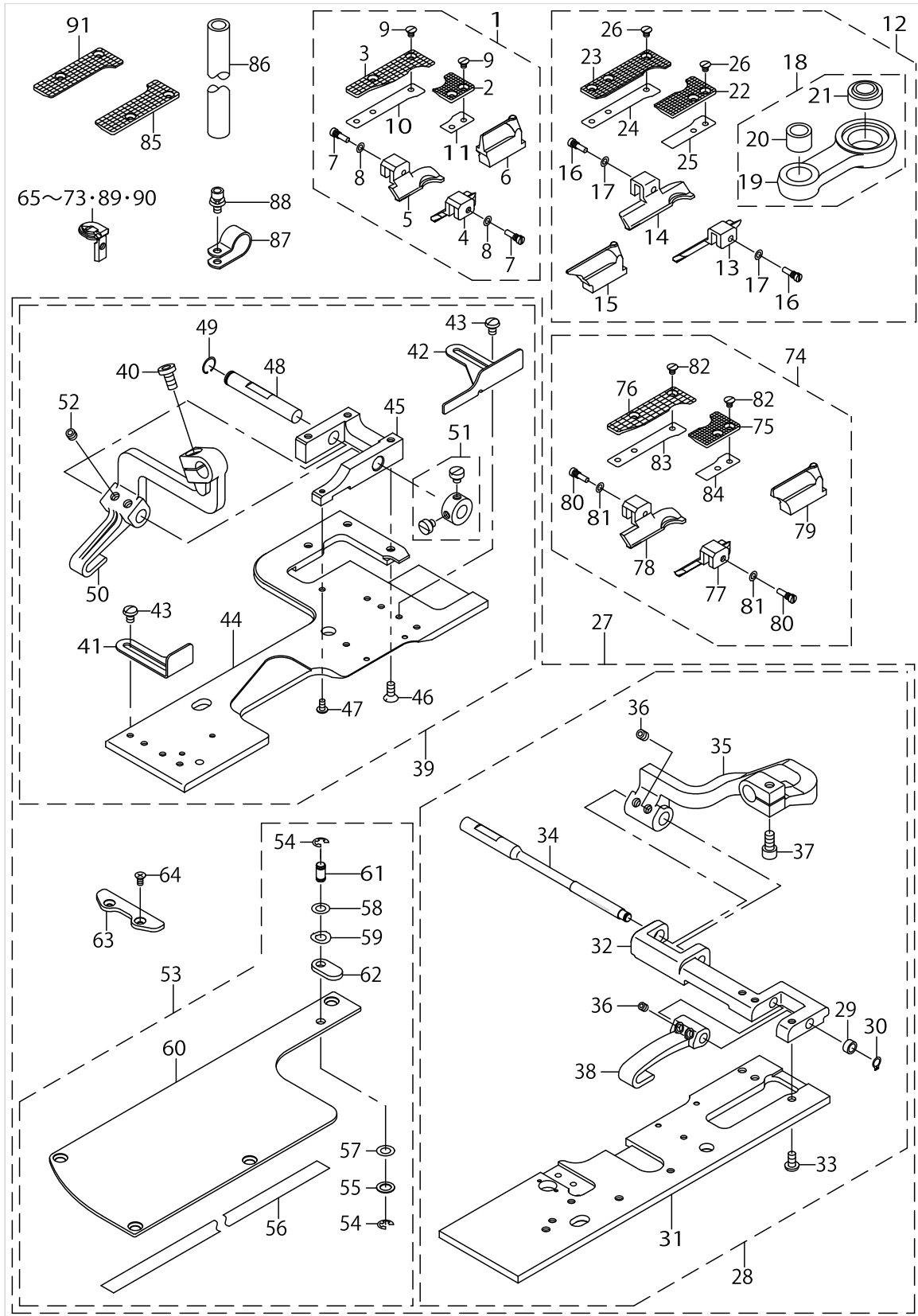
# WIRING DIAGRAM



WIRING DIAGRAM

No.	Supply Code	Parts No.	Replacement	Parts name	Remarks	Choice	Step	Level	Cons	Qty	Rep. QTY
39	R	32077356	40044973	HOME POSITION SENSOR CABLE ASM.		A				1	1.00
39	R	32077356	40044975	HOME POSITION SENSOR CABLE ASM.		A				1	1.00
39	R	32077356	40044972	HOME POSITION SENSOR CABLE ASM.		A				1	1.00
40		32077653		UPPER SHAFT SENSOR CABLE ASM.						1	
41		32002354		SWITCH ASM.						1	
42		32054900		AT (UPPER)						1	
43		32053209		AT (LOWER)						1	
44		KM000000320		PULSE MOTOR						1	
45		KM000000310		PULSE MOTOR						1	
46		KM000000330		PULSE MOTOR						1	
47		KM000000300		PULSE MOTOR						1	
48		KM000000340		SERVO MOTOR						1	
49		B47152100A0		FILTER REGULATOR ASM.						1	
50		M90046200A0		SERVO MOTOR CABLE ASM.						1	
51		M90175800A0		POWER CABLE ASM.						1	
52		M90355800A0		POWER SOURCE CORD ASM.	FOR USE IN JAPAN (1 φ100V)					1	
53		M90285800A0		POWER CABLE ASM.	FOR JE					1	
54		M90245800A0		POWER CABLE ASM.	FOR SINGLE PHASE(100V)					1	
55		M90345800A0		GROUND CORD ASM.	FOR USE IN JAPAN (1 φ100V)					1	
56		M86026200A0		CONNECTOR CIRCUIT BOARD ASM.						1	
57		M90156200A0A		VALVE CABLE ASM.						1	
58		M90016200A0		RELAY CABLE ASM.						1	
59		M90216200A0		PANEL CABLE ASM.						1	
60		HA004250000		SWITCH						1	
61	R	HA00303000A	M85065220A0	SWITCH	FOR JE					1	1.00
62		M85905130AA		PEDAL SWITCH ASM.						1	
63		40050672		ENCODER_CABLE_ASSY						1	
64		M85236000A0		INPUT CHANGEVER CORD ASM.	FOR SINGLE PHASE(100V)					1	

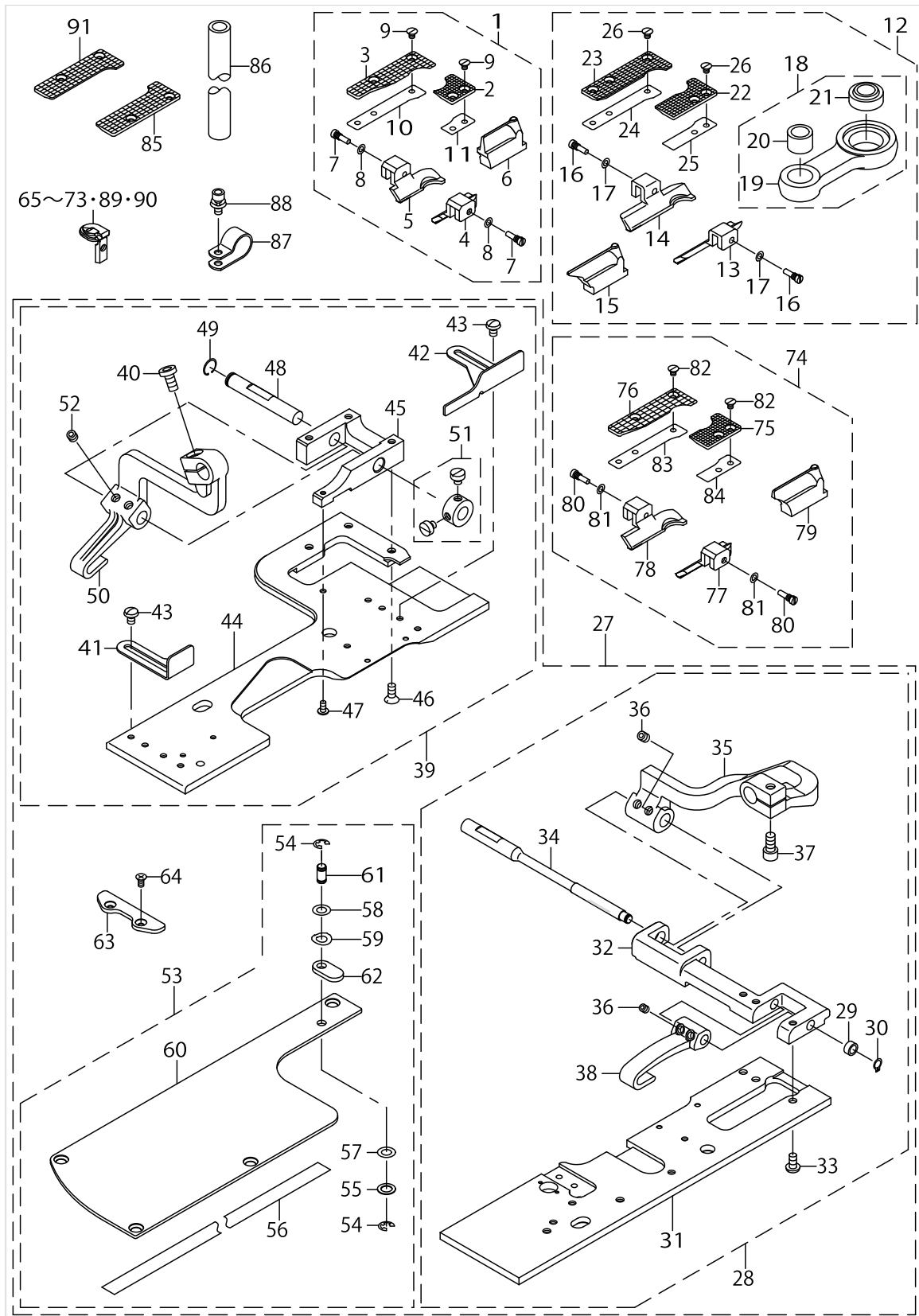
OPTION COMPONENTS(1)



OPTION COMPONENTS(1)

No.	Supply Code	Parts No.	Replacement	Parts name	Remarks	Choice	Step	Level	Cons	Qty	Rep. QTY
1		32028458		EYELET COMPENSATING FOOT S SET	FOR MEB--3200JS,JA					1	
2		32028409		HOLDING PLATE, RIGHT S				*		1	
3		32028516		HOLDING PLATE, LEFT S				*		1	
4		32028201		COMPENSATING FOOT, RIGHT S				*		1	
5		32028300		COMPENSATING FOOT, LEFT S				*		1	
6		32063604		CLOTH CUTTING KNIFE (EYELET) S				*		1	
7		14010508		PRESSER FOOT ATTACHING SCREW				*		2	
8		WZ0320290UZ		WASHER 3.2X6.5X0.15				*		2	
9		SM1030400SP		SCREW M3 L=4				*		4	
10		40016000		HOLDING PLATE SPACER LEFT				*		1	
11		40015997		HOLDING PLATE SPACER RIGHT S				*		1	
12		32029050		EYELET COMPENSATING FOOT L SET	FOR MEB--3200JS,CS,JA,CA					1	
13		14058804		PRESSER FOOT, RIGHT, H				*		1	
14		14058903		PRESSER FOOT, LEFT H				*		1	
15		14041206		CUTTING KNIFE, EYELET				*		1	
16		14010508		PRESSER FOOT ATTACHING SCREW				*		2	
17		WZ0320290UZ		WASHER 3.2X6.5X0.15				*		2	
18		40131925		VERTICAL FEED CONNECTING ARM ASM.				*		1	
19		40131921		VERTICAL FEED CONNECTING ARM				*		1	
20		32007403		CONNECTING ARM METAL, A				*		1	
21		40131924		SPHERICAL BEARING				*		1	
22		32029001		HOLDING PLATE J, RIGHT L				*		1	
23		32029100		HOLDING PLATE J, LEFT L				*		1	
24		40016000		HOLDING PLATE SPACER LEFT				*		1	
25		40015999		HOLDING PLATE SPACER RIGHT L				*		1	
26		SM1030400SP		SCREW M3 L=4				*		5	
27		32031064		VERTICAL HOLE PRESSER SET	FOR MEB-3200SS					1	
28		32031056		PRESSER PLATE, RIGHT ASM.				*		1	
29		11041100		ROLLER				*		1	
30		RC0470611KP		RETAINING RING 4.7				*		1	
31		32031007		PRESSER PLATE, RIGHT				*		1	
32		32031205		PRESSER ARM FITTING BASE,RIGHT				*		1	
33		SM5040855SN		SCREW				*		3	
34		32031304		PRESSER ARM BASE SHAFT, RIGHT				*		1	
35		32031809		PRESSER ARM BASE, RIGHT				*		1	
36		SM8050412TP		SCREW M5 L=4				*		4	
37		SM6051002TN		BOLT				*		1	
38		32031700		DRIVING ARM				*		1	
39		32031155		HOLE PRESSER PLATE ASM.				*		1	
40		SM6051002TN		BOLT				*		1	
41		32032104		VERTICAL HOLE GUIDE, FRONT				*		1	
42		32032203		VERTICAL HOLE GUIDE, REAR				*		1	
43		SS5090610SP		SCREW 9/64-40 L=6				*		4	

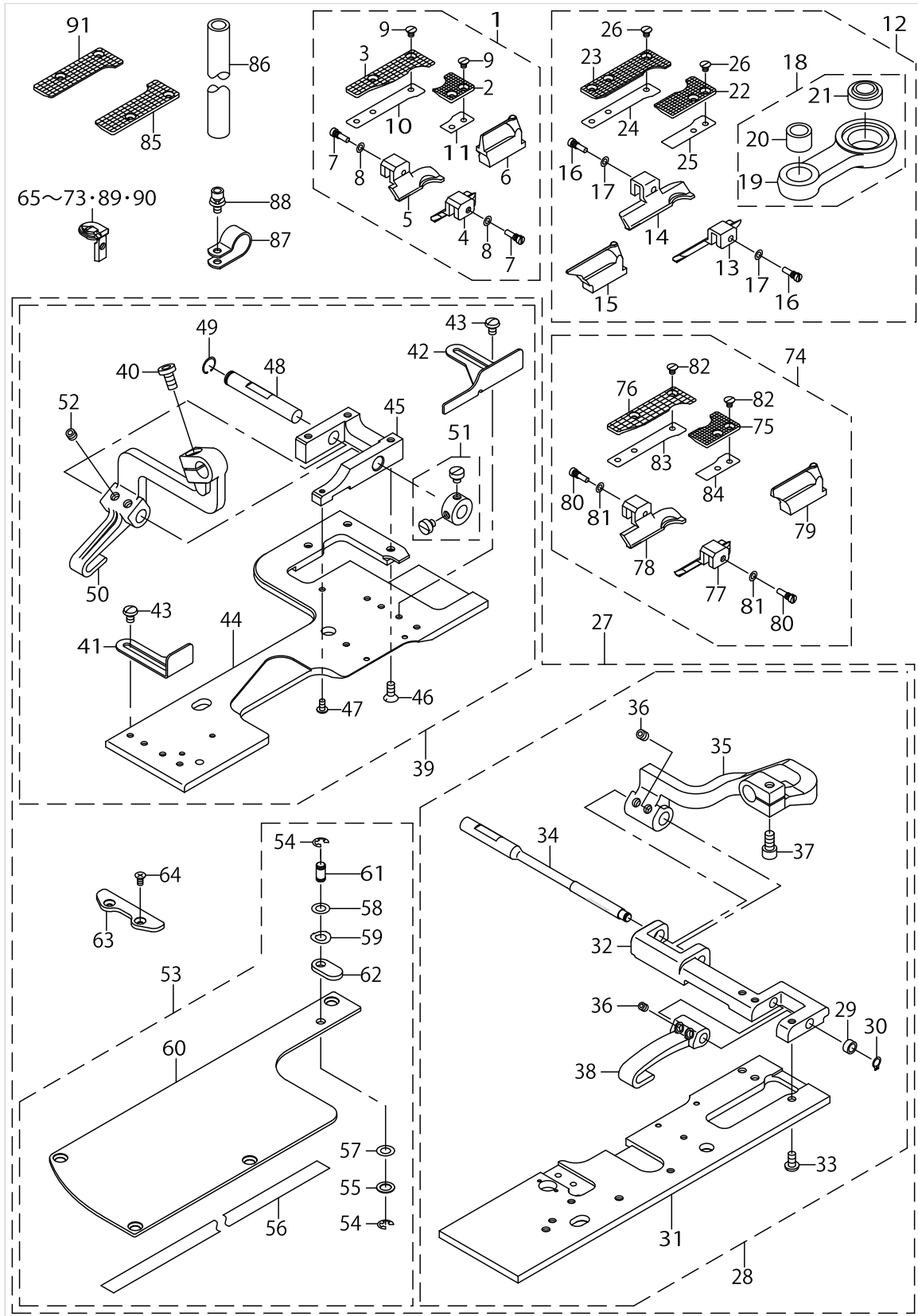
OPTION COMPONENTS(1)



OPTION COMPONENTS(1)

No.	Supply Code	Parts No.	Replacement	Parts name	Remarks	Choice	Step	Level	Cons	Qty	Rep. QTY
44		32031106		HOLE PRESSER PLATE, LEFT				*		1	
45		32031502		PRESSER ARM FITTING BASE, LEFT				*		1	
46		SM1041001SP		SCREW M4X0.7 L=10				*		3	
47		SM0030601SC		SCREW M3X0.5 L=6				*		1	
48		32031601		PRESSER ATM BASE SHAFT, LEFT				*		1	
49		RC0740811KP		C-RING				*		1	
50		32031908		PRESSER ARM BASE, LEFT				*		1	
51		CS080081BSH		THRUST COLLAR ASM. D=8.0 W=8				*		1	
52		SM8050412TP		SCREW M5 L=4				*		2	
53		32032054		AUXILIARY COVER, LEFT ASM.				*		1	
54		RE0400000KP		E-RING 4				*		2	
55		26217604		WASHER				*		1	
56		40066088		TAPE				*		0.42	
57		32003808		CLAMP RETAINER PLATE SPACER				*		1	
58		WP0550800SP		WASHER 5.5X10X0.8				*		1	
59		WZ0620290KP		WASHER				*		1	
60	R	32032005	40060558	AUXILIARY COVER, LEFT				*		1	1.00
61		32002008		FULCRUM SHAFT				*		1	
62		14012504		CLAMP HOLDING PLATE				*		1	
63		32012809		HOLDING PLATE, REAR				*		1	
64		SM1030601SC		SCREW M3 L=6				*		2	
65		32043218		THROAT PLATE, D	FOR MEB-- 3200SS,RS					1	
66		32043325		THROAT PLATE, JF	FOR MEB-- 3200JS,CS,JA,CA					1	
67		32043424		THROAT PLATE, JA	FOR MEB-- 3200JS,CS,JA,CA					1	
68		32043523		THROAT PLATE, JE	FOR MEB-- 3200JS,JA					1	
69		32043622		THROAT PLATE, JD	FOR MEB-- 3200JS,CS,JA,CA					1	
70		32042830		THROAT PLATE, JB	FOR MEB-- 3200CS,CA					1	
71		32042913		THROAT PLATE, B	FOR MEB-- 3200SS,RS					1	
72		32043010		THROAT PLATE, C	FOR MEB-- 3200SS,RS					1	
73		32043135		THROAT PLATE, JC	FOR MEB-- 3200JS,CS,JA,CA					1	
74		32028854		EYELET COMPENSATING FOOT M SET	FOR MEB-- 3200CS,CA					1	
75		32028805		HOLDING PLATE, J RIGHT M				*		1	
76		32028912		HOLDING PLATE, J LEFT M				*		1	
77		32028607		PRESSER FOOT, RIGHT M				*		1	
78		32028706		PRESSER FOOT, LEFT M				*		1	
79		32063703		CUTTING KNIFE (EYELET), M				*		1	
80		14010508		PRESSER FOOT ATTACHING SCREW				*		2	
81		WZ0320290UZ		WASHER 3.2X6.5X0.15				*		2	
82		SM1030400SP		SCREW M3 L=4				*		4	
83		40016000		HOLDING PLATE SPACER LEFT				*		1	
84		40015998		HOLDING PLATE SPACER RIGHT M				*		1	

OPTION COMPONENTS(1)

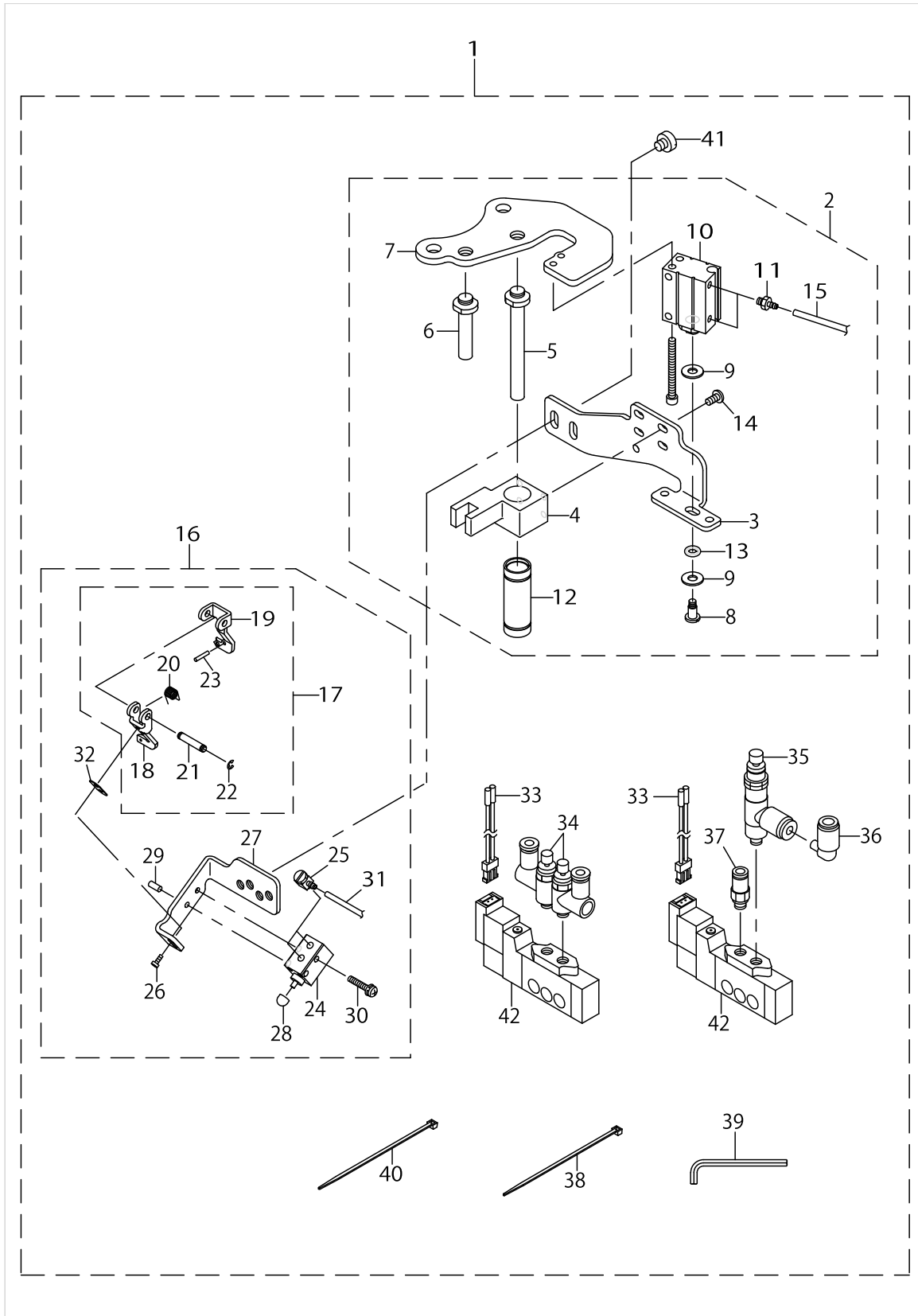


OPTION COMPONENTS(1)

No.	Supply Code	Parts No.	Replacement	Parts name	Remarks	Choice	Step	Level	Cons	Qty	Rep. QTY
85		32029407		HOLDING PLATE, RIGHT	EXCEPT M- EB-3200J- S,CS,JA,CA					1	
86		BT1200801EF		TUBE						2.3	
87		HX00150000F		CABLE CLIP						3	
88		SL6041092TN		SCREW						3	
89		40029122		THROAT PLATE JA C	FOR MEB-- 3200JS(CHINA)					1	
90		40029123		THROAT PLATE JE C	FOR MEB-- 3200CS(CHINA)					1	
91		32029506		HOLDING PLATE, LEFT	EXCEPT M- EB-3200J- S,CS,JA,CA					1	



OPTION COMPONENTS(2)

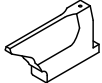
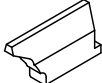
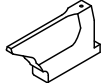


OPTION COMPONENTS(2)

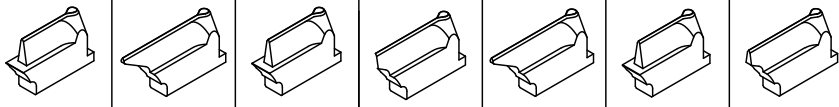
No.	Supply Code	Parts No.	Replacement	Parts name	Remarks	Choice	Step	Level	Cons	Qty	Rep. QTY
1		32024481		UPPER THREAD CLAMP UNIT						1	
2		32024952		UPPER THREAD CLAMP ARM ASM.				*		1	
3		32024903		UPPER THREAD CLAMP ARM				*		1	
4		32025108		UPPER THREAD CLAMP GUIDE				*		1	
5		32025207		GUIDE SHAFT A				*		1	
6		32025306		GUIDE SHAFT B				*		1	
7		32025405		CYLINDER FITTING PLATE				*		1	
8		14044903		SCREW				*		1	
9		14030100		WASHER				*		2	
10		PA100153200		AIR CYLINDER				*		1	
11	R	PJ032039002	GBT11029000	COUPLING				*		2	1.00
12		SB706000500		BEARING				*		1	
13		RO037180100		RUBBER RING				*		1	
14		SM5030655SP		SCREW				*		4	
15		BT0320201EB		TUBE 3.18X2				*		2.2	
16		32024499		UPPER THREAD CLAMP ASM.				*		1	
17		40018402		UPPER THREAD CLAMP AB ASM.				*		1	
18		32024416		UPPER THREAD CLAMP A				*		1	
19		32024507		UPPER THREAD CLAMP B				*		1	
20		32024606		UPPER THREAD CLAMP SPRING				*		1	
21		32025009		UPPER THREAD CLAMP SHAFT				*		1	
22		RE0200000K0		E-RING				*		2	
23		PS0150082KH		SPRING PIN				*		1	
24		PA040030100		AIR CYLINDER				*		1	
25		PJ046039002		ELBOW				*		2	
26		SM6020402TN		BOLT M2 L=4				*		2	
27		32024713		UPPER THREAD CLAMP BRACKET				*		1	
28		32024804		UPPER THREAD CLAMP DRIVING PIN				*		1	
29		PS0250062KH		SPRING PIN 2.5X6				*		1	
30		SL4851481SF		SCREW M2.5 L=14				*		1	
31		BT0320201EB		TUBE 3.18X2				*		2.4	
32		32025504		UPPER THREAD CLAMP SPACER	SELECTIVE USE OF 1 TO 3 PCS.			*		3	
33		M9024620000		SOLENOID VALVE CONNECTOR				*		2	
34		PC010522000		SPEED CONTROLLER				*		2	
35		PF070501000		PRESSURE DECREASING VALVE				*		1	
36		PJ304030001		ELBOW				*		1	
37		PJ210203100		UNION				*		1	
38		EA9500B0100		CABLE BAND				*		4	
39		32025603		HEXAGONAL WRENCH				*		1	
40		EA9500B0100		CABLE BAND				*		4	
41		SS6110480SP		SCREW 11/64-40 L=4.3				*		2	
42		PV150209100		SOLENOID VALVE				*		2	

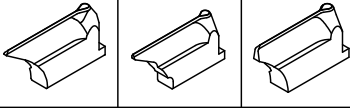
OPTION COMPONENTS(3)

Knife support  
刃受け

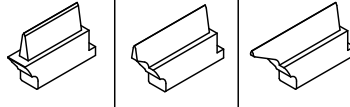
Item 品名	For eyelet buttonhole 鳩目用		For decorative buttonhole 眠り目用		For hard eyelet buttonhole 鳩目用(硬いタイプ)		
Shape 形状							
	Ref.No.	Part No.	Ref.No.	Part No.	Ref.No.	Part No.	
Length of knife support メス受け長 (mm)	40	—	15	14042501	—	—	
	38	1	32062101	—	47	32067209	
	36	2	32062200	16	32064404	48	32067308
	34	3	32062309	17	32064503	49	32067407
	32	4	32062408	18	14042600	50	32067506
	30	5	32062507	19	32064602	51	32067605
	28	6	32062606	20	32064701	52	32067704
	26	7	32062705	21	14042808	53	32067803
	24	8	32062804	22	32064800	54	32067902
	22	46	32062903	23	14042907	55	32068009
	20	9	32063000	24	32064909	56	32068108
	18	10	32063109	25	32065005	57	32068207
	16	11	32063208	26	14043103	58	32068306
	14	12	32063307	27	32065104	59	32068405
12	13	32063406	28	32065203	60	32068504	
10	14	32063505	29	14043301	61	32068603	

Cloth cutting knife  
布切りメス



Item 品名	For eyelet buttonhole 鳩目用							
Shape 形状								
	Ref.No.	39	40	41	42	43	44	45
Part No.	32063604	32063802	32063901	32064008	32064107	32064206	32064305	
Mark 刻印	3S	1	1S	1M	5	5S	5M	

Item 品名	For eyelet buttonhole 鳩目用		
Shape 形状			
	Ref.No.	62	63
Part No.	32066904	14041206	32063703
Mark 刻印	6	3	3M

Cloth cutting knife  
布切りメス

Item 品名	For decorative buttonhole 眠り目用		
Shape 形状			
	Ref.No.	30	31
Part No.	32065302	32065401	14041404
Mark 刻印	OS	OM	O

Work clamp  
押え足

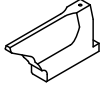
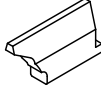
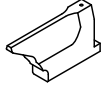
Work clamp foot (left) 押え足左	Item 品名	For eyelet buttonhole 鳩目用 32mm	For eyelet buttonhole 鳩目用 22mm	For decorative buttonhole 眠り目用 40mm	For eyelet buttonhole 鳩目用 40mm	For eyelet buttonhole 鳩目用段押え	For eyelet buttonhole 鳩目用段押え	For eyelet buttonhole 鳩目用段押え	For eyelet buttonhole 鳩目用段押え	For eyelet buttonhole 鳩目用段押え 22mm	
	Shape 形状										
Ref.No.	33	34	35	65	67	69	72	73	75		
Part No.	14059604	14059802	14013908	14010102	32028706	32028300	14058903	40035239	40039844		
Work clamp foot (right) 押え足右	Shape 形状										
	Ref.No.	36	37	38	66	68	70	71	74	76	
Part No.	14059505	14059703	14013809	14010003	32028607	32028201	14058804	40035238	40039843		

OPTION COMPONENTS(3)

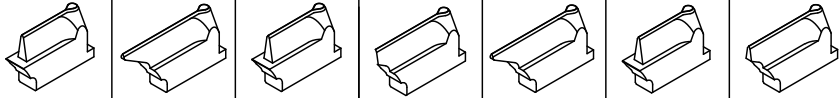
No.	Supply Code	Parts No.	Replacement	Parts name	Remarks	Choice	Step	Level	Cons	Qty	Rep. QTY
1		32062101		KNIFE HOLDER, 38MM (EYELET)						1	
2		32062200		KNIFE HOLDER, 36MM (EYELET)						1	
3		32062309		KNIFE HOLDER, 34MM (EYELET)						1	
4		32062408		KNIFE HOLDER, 32MM (EYELET)						1	
5		32062507		KNIFE HOLDER, 30MM (EYELET)						1	
6		32062606		KNIFE HOLDER, 28MM (EYELET)						1	
7		32062705		KNIFE HOLDER, 26MM (EYELET)						1	
8		32062804		KNIFE HOLDER, 24MM (EYELET)						1	
9		32063000		KNIFE HOLDER, 20MM (EYELET)						1	
10		32063109		KNIFE HOLDER, 18MM (EYELET)						1	
11		32063208		KNIFE HOLDER, 16MM (EYELET)						1	
12		32063307		KNIFE HOLDER, 14MM (EYELET)						1	
13		32063406		KNIFE HOLDER, 12MM (EYELET)						1	
14		32063505		KNIFE HOLDER, 10MM (EYELET)						1	
15		14042501		KNIFE HOLDER, 40- MM, DECORATIVE						1	
16		32064404		KNIFE HOLDER, 36- MM, DECORATIVE						1	
17		32064503		KNIFE HOLDER, 34- MM, DECORATIVE						1	
18		14042600		KNIFE HOLDER, 32- MM, DECORATIVE						1	
19		32064602		KNIFE HOLDER, 30- MM, DECORATIVE						1	
20		32064701		KNIFE HOLDER, 28- MM, DECORATIVE						1	
21		14042808		KNIFE HOLDER, 26- MM, DECORATIVE						1	
22		32064800		KNIFE HOLDER, 24- MM, DECORATIVE						1	
23		14042907		KNIFE HOLDER, 22- MM, DECORATIVE						1	
24		32064909		KNIFE HOLDER, 20- MM, DECORATIVE						1	
25		32065005		KNIFE HOLDER, 18- MM, DECORATIVE						1	
26		14043103		KNIFE HOLDER, 16- MM, DECORATIVE						1	
27		32065104		KNIFE HOLDER, 14- MM, DECORATIVE						1	
28		32065203		KNIFE HOLDER, 12- MM, DECORATIVE						1	
29		14043301		KNIFE HOLDER, 10- MM, DECORATIVE						1	
30		32065302		CUTTING KNIFE (DECORATIVE), S						1	
31		32065401		CUTTING KNIFE (DECORATIVE), M						1	
32		14041404		CUTTING KNIFE, DECORATIVE						1	
33		14059604		PRESSER FOOT, LEFT 32MM						1	
34		14059802		PRESSER FOOT, LEFT 22MM						1	
35		14013908		PRESSER FOOT, LEFT 40MM						1	
36		14059505		PRESSER FOOT, RIGHT 32MM						1	
37		14059703		PRESSER FOOT, RIGHT 22MM						1	
38		14013809		PRESSER FOOT, RIGHT 40MM						1	
39		32063604		CUTTING KNIFE (EYELET), S						1	
40		32063802		CUTTING KNIFE (EYELET), 1						1	
41		32063901		CUTTING KNIFE (EYELET), 1S						1	

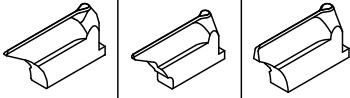
OPTION COMPONENTS(3)

Knife support  
刃受け

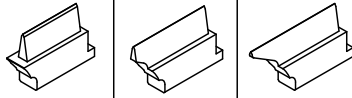
Item 品名	For eyelet buttonhole 鳩目用		For decorative buttonhole 眠り目用		For hard eyelet buttonhole 鳩目用(硬いタイプ)		
Shape 形状							
	Ref.No.	Part No.	Ref.No.	Part No.	Ref.No.	Part No.	
Length of knife support メス受け長 (mm)	40	—	15	14042501	—	—	
	38	1	32062101	—	47	32067209	
	36	2	32062200	16	32064404	48	32067308
	34	3	32062309	17	32064503	49	32067407
	32	4	32062408	18	14042600	50	32067506
	30	5	32062507	19	32064602	51	32067605
	28	6	32062606	20	32064701	52	32067704
	26	7	32062705	21	14042808	53	32067803
	24	8	32062804	22	32064800	54	32067902
	22	46	32062903	23	14042907	55	32068009
	20	9	32063000	24	32064909	56	32068108
	18	10	32063109	25	32065005	57	32068207
	16	11	32063208	26	14043103	58	32068306
	14	12	32063307	27	32065104	59	32068405
12	13	32063406	28	32065203	60	32068504	
10	14	32063505	29	14043301	61	32068603	

Cloth cutting knife  
布切りメス



Item 品名	For eyelet buttonhole 鳩目用							
Shape 形状								
	Ref.No.	39	40	41	42	43	44	45
Part No.	32063604	32063802	32063901	32064008	32064107	32064206	32064305	
Mark 刻印	3S	1	1S	1M	5	5S	5M	

Item 品名	For eyelet buttonhole 鳩目用		
Shape 形状			
	Ref.No.	62	63
Part No.	32066904	14041206	32063703
Mark 刻印	6	3	3M

Cloth cutting knife  
布切りメス

Item 品名	For decorative buttonhole 眠り目用		
Shape 形状			
	Ref.No.	30	31
Part No.	32065302	32065401	14041404
Mark 刻印	OS	OM	O

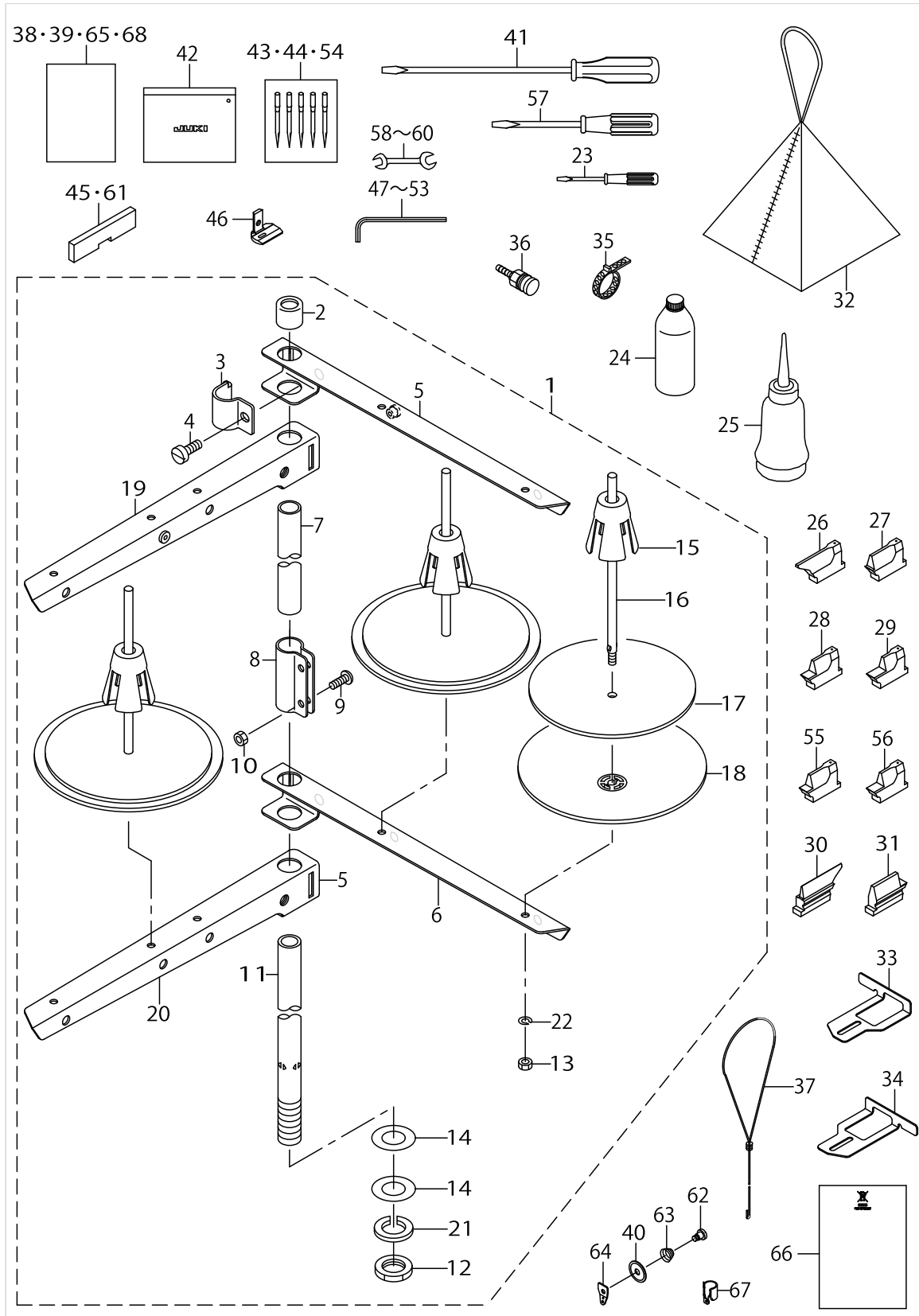
Work clamp  
押え足

Work clamp foot (left) 押え足左	Item 品名	For eyelet buttonhole 鳩目用 32mm	For eyelet buttonhole 鳩目用 22mm	For decorative buttonhole 眠り目用 40mm	For eyelet buttonhole 鳩目用 40mm	For eyelet buttonhole 鳩目用段押え	For eyelet buttonhole 鳩目用段押え	For eyelet buttonhole 鳩目用段押え	For eyelet buttonhole 鳩目用段押え	For eyelet buttonhole 鳩目用段押え 22mm
	Shape 形状									
Ref.No.	33	34	35	65	67	69	72	73	75	
Part No.	14059604	14059802	14013908	14010102	32028706	32028300	14058903	40035239	40039844	
Work clamp foot (right) 押え足右	Shape 形状									
	Ref.No.	36	37	38	66	68	70	71	74	76
Part No.	14059505	14059703	14013809	14010003	32028607	32028201	14058804	40035238	40039843	

OPTION COMPONENTS(3)

No.	Supply Code	Parts No.	Replacement	Parts name	Remarks	Choice	Step	Level	Cons	Qty	Rep. QTY
42		32064008		CUTTING KNIFE (EYELET), 1M						1	
43		32064107		CUTTING KNIFE (EYELET), 5						1	
44		32064206		CUTTING KNIFE (EYELET), 5S						1	
45		32064305		CUTTING KNIFE (EYELET), 5M						1	
46		32062903		KNIFE HOLDER, 22MM (EYELET)						1	
47		32067209		KNIFE HOLDER, 38MM (EYELET),H						1	
48		32067308		KNIFE HOLDER, 36MM (EYELET),H						1	
49		32067407		KNIFE HOLDER, 34MM (EYELET),H						1	
50		32067506		KNIFE HOLDER, 32MM (EYELET),H						1	
51		32067605		KNIFE HOLDER, 30MM (EYELET),H						1	
52		32067704		KNIFE HOLDER, 28MM (EYELET),H						1	
53		32067803		KNIFE HOLDER, 26MM (EYELET),H						1	
54		32067902		KNIFE HOLDER, 24MM (EYELET),H						1	
55		32068009		KNIFE HOLDER, 22MM (EYELET),H						1	
56		32068108		KNIFE HOLDER, 20MM (EYELET),H						1	
57		32068207		KNIFE HOLDER, 18MM (EYELET),H						1	
58		32068306		KNIFE HOLDER, 16MM (EYELET),H						1	
59		32068405		KNIFE HOLDER, 14MM (EYELET),H						1	
60		32068504		KNIFE HOLDER, 12MM (EYELET),H						1	
61		32068603		KNIFE HOLDER, 10MM (EYELET),H						1	
62		32066904		CUTTING KNIFE (EYELET), 6						1	
63		14041206		CUTTING KNIFE, EYELET						1	
64		32063703		CUTTING KNIFE (EYELET), M						1	
65		14010102		PRESSER FOOT (LEFT) 40MM						1	
66		14010003		PRESSER FOOT (RIGHT) 40MM						1	
67		32028706		PRESSER FOOT, LEFT M						1	
68		32028607		PRESSER FOOT, RIGHT M						1	
69		32028300		COMPENSATING FOOT, LEFT S						1	
70		32028201		COMPENSATING FOOT, RIGHT S						1	
71		14058804		PRESSER FOOT, RIGHT, H						1	
72		14058903		PRESSER FOOT, LEFT H						1	
73		40035239		PRESSER FOOT LEFT W(M)						1	
74		40035238		PRESSER FOOT RIGHT W(M)						1	
75		40039844		PRESSER FOOT LEFT W(S)						1	
76		40039843		PRESSER FOOT RIGHT W(S)						1	

ACCESSORY PARTS COMPONENTS

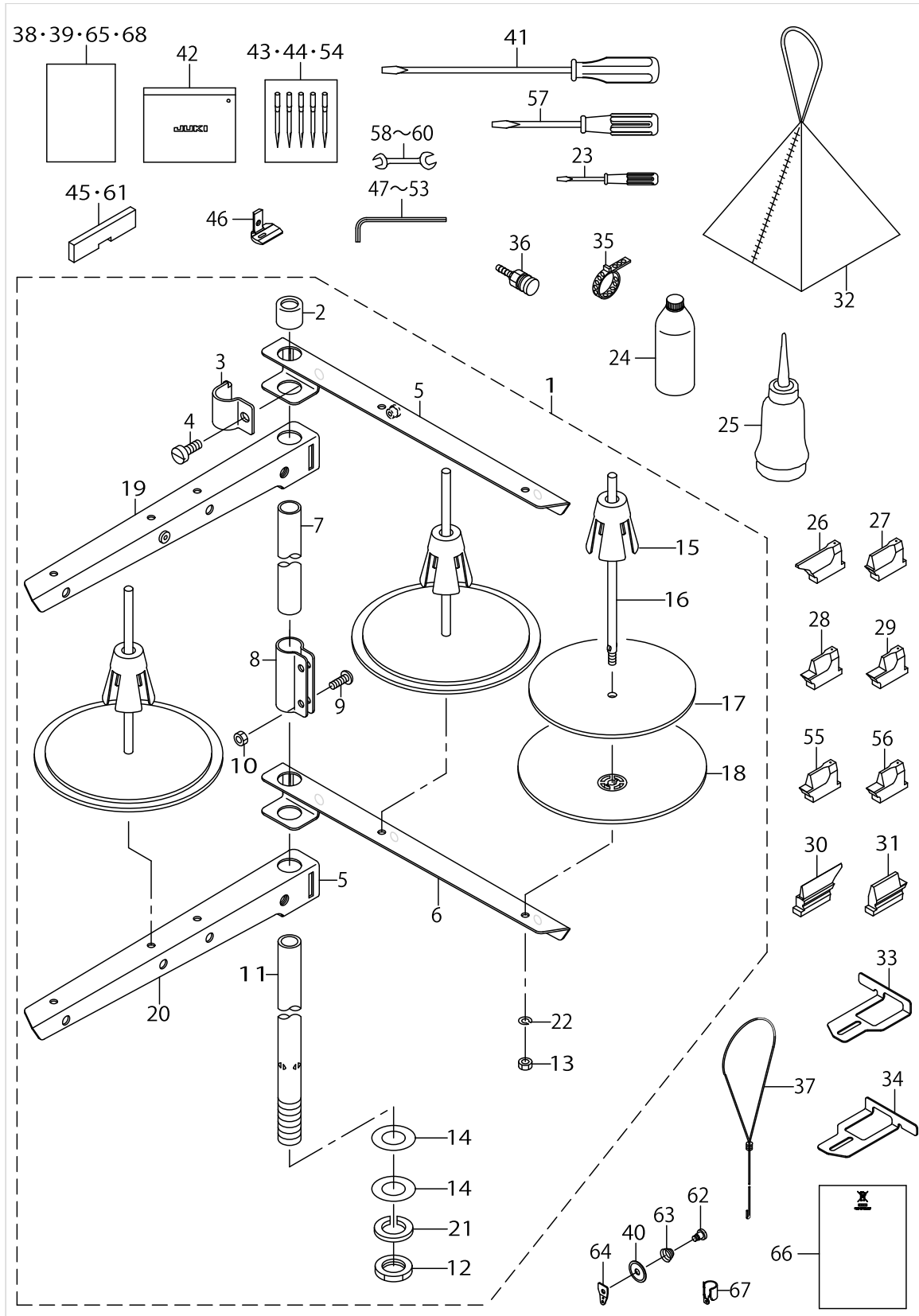


ACCESSORY PARTS COMPONENTS

No.	Supply Code	Parts No.	Replacement	Parts name	Remarks	Choice	Step	Level	Cons	Qty	Rep. QTY
1		13850052		THREAD STAND ASM.						1	
2		22931406		SPOOL REST ROD CAP				*		1	
3	R	22930705	40096354	SPOOL REST ROD JOINT				*		4	1.00
4		SM6061610SC		SCREW M6 L=16				*		4	
5	R	22930556	40096354	SPOOL REST ARM ASM.				*		1	1.00
6	R	22930507	40096354	SPOOL REST ARM				*		1	1.00
7	R	22930408	40096354	SPOOL REST ROD,UPPER				*		1	1.00
8	R	22931307	40096354	SPOOL REST ROD JOINT				*		1	1.00
9		SM4051405SE		SCREW M5 L=14				*		2	
10		NM6050001SE		NUT M5				*		2	
11	R	22930309	40096354	SPOOL REST ROD,LOWER				*		1	1.00
12		NM6160511SE		NUT				*		1	
13		NM6050001SE		NUT M5				*		3	
14		WP1612616SE		WASHER 16X30X2.6				*		2	
15	R	22931109	40085791	SPOOL RETAINER				*		3	1.00
16	R	22931000	40085790	SPOOL PIN				*		3	1.00
17		22930903		SPOOL REST CUSHION				*		3	
18		22930804		SPOOL REST				*		3	
19		13168950		SPOOL REST ARM,A ASM.				*		1	
20		13168901		SPOOL REST ARM,A				*		1	
21	R	WS1643202KR	WP1612616SE	SPRING WASHER		A		*		1	2.00
21	R	WS1643202KR	40085796	SPRING WASHER		A		*		1	2.00
22		WS0510002KN		SPRING WASHER				*		3	
23		22933204		SCREW DRIVER,SMALL						1	
24		MDFRX2001L0		DEFRIX OIL, NO.2 900CC						1	
25		B91210120A0		OILER ASM.						1	
26		32067209		KNIFE HOLDER 38MM (EYELET),H	EXCEPT M-EB-3200J-S,CS,JA,CA,SS(CHINA)-,JS(CHINA)-,CS(CHINA)				☆	1	
27		32067803		KNIFE HOLDER 26MM (EYELET),H	FOR MEB-3200JS(USE IN JAPAN),MEB-3200-JA(USE IN JAPAN)				☆	1	
28		32068108		KNIFE HOLDER 20MM (EYELET),H	EXCEPT M-EB-3200J-S,CS,JA,CA				☆	1	
29		32068306		KNIFE HOLDER 16MM (EYELET),H	EXCEPT M-EB-3200J-S,CS,JA,CA				☆	1	
30		14041404		CUTTING KNIFE, DECORATIVE	EXCEPT M-EB-3200J-S,CS,JA,CA				☆	1	
31		14042907		KNIFE HOLDER, 22-MM, DECORATIVE	EXCEPT M-EB-3200J-S,CS,JA,CA				☆	1	
32		GEB03653000		DUST BAG						1	
33		32027609		VERTICAL GUIDE, RIGHT	FOR MEB-3200RS					1	
34		32027708		VERTICAL GUIDE, LEFT	FOR MEB-3200RS					1	
35		PB000010000		HOSE BAND						1	
36		PJ309520001		SOCKET						1	



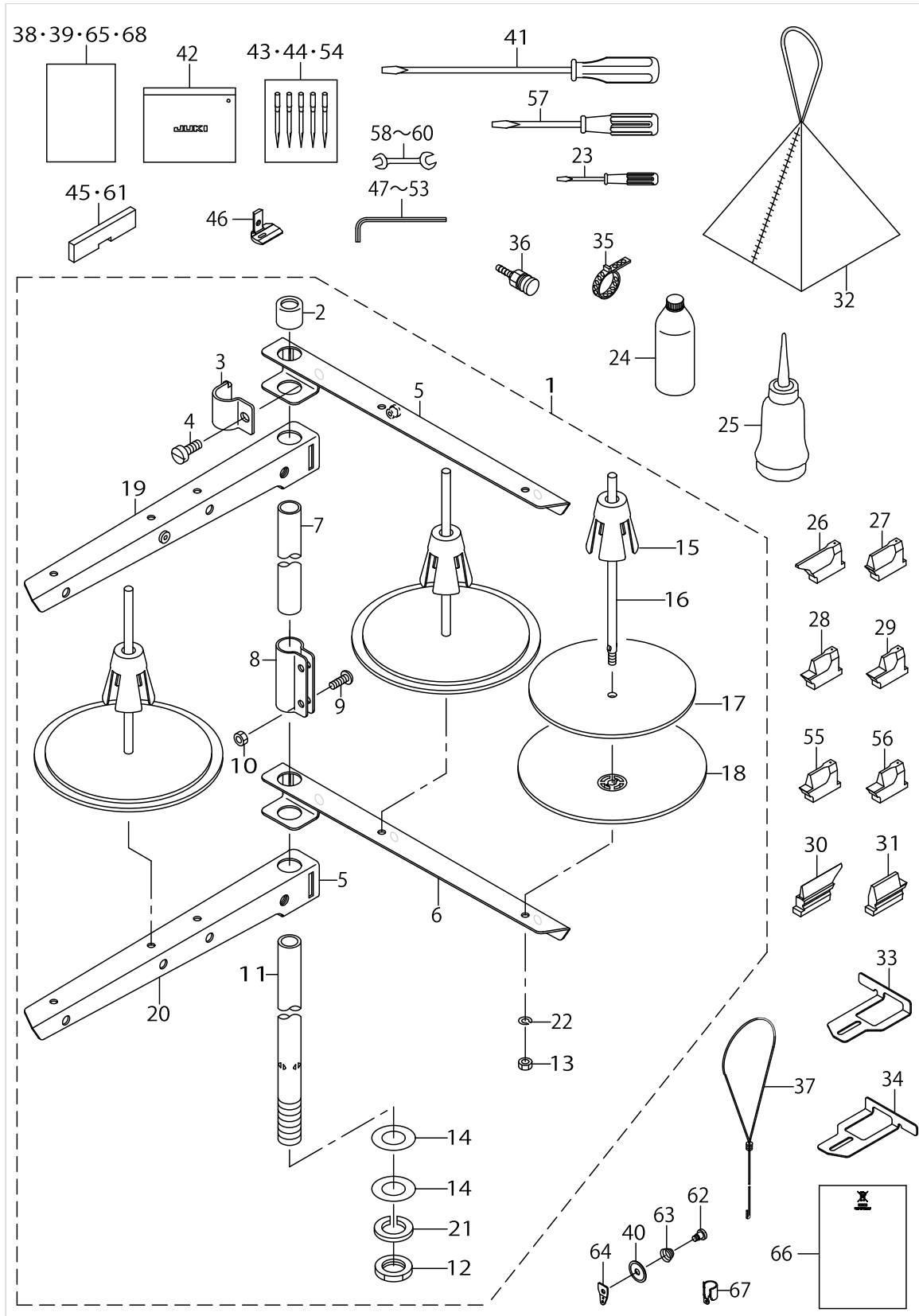
ACCESSORY PARTS COMPONENTS



ACCESSORY PARTS COMPONENTS

No.	Supply Code	Parts No.	Replacement	Parts name	Remarks	Choice	Step	Level	Cons	Qty	Rep. QTY
37		14058002		THREADER						1	
38		29343217		INSTRUCTION MANUAL(JAPAN)	FOR USE IN JAPAN					1	
39		29343316		INSTRUCTION MANUAL(6 LANGUAGES)	EXCEPT USE IN JAPAN,CHINA					1	
40		B2313180000		TENSION DISC	EXCEPT MEB-3200S(CHINA), JS(CHINA),-CS(CHINA),JS(JE)				☆	1	
41		22933006		SCREW DRIVER,LARGE						1	
42		22932800		ACCESSORIE BAG						1	
43	R	MC185801002	MC185801000	NEEDLE, SCHMETZ, 558 NM100-2	FOR MEB--3200CS,CA				☆	1	1.00
44	R	MC185801102	MC185801100	NEEDLE, SCHMETZ, 558 NM110-2	FOR MEB--3200JS(USE IN JAPAN), MEB-3200-JA(USE IN JAPAN),CS,CA				☆	1	1.00
45		32021404		TIMING GAUGE	EXCEPT MEB-3200TS,TA					1	
46		14058200		TIMING GAUGE SUPPORT BASE						1	
47		B9142372000		HEXAGONAL WRENCH (7.1X8.1)						1	
48		MAI17001000		SPANNER (1.5)						1	
49		J106600000C		HEXAGONAL WRENCH KEY 2.5						1	
50		GCT02905000		SPANNER						1	
51		J106600000D		HEXAGONAL WRENCH KEY						1	
52		B9140372000		HEXAGONAL WRENCH, SMALL						1	
53		GCT02906000		HEXAGONAL SPANNER						1	
54		MC185801202		NEEDLE	FOR MEB--3200JS(EXPORT), MEB-3200JA(-EXPORT),JS(CHINA)				☆	1	
55		32068009		KNIFE HOLDER,22MM (EYELET),H	FOR MEB--3200CS,CA					1	
56		32068207		KNIFE HOLDER,18MM (EYELET),H	FOR MEB--3200JS(EXPORT), MEB-3200JA(-EXPORT),JS(CHINA)					1	
57		22933105		SCREW DRIVER,MIDDLE						1	
58		26034801		WRENCH (7X8)						1	
59		B9113012000		WRENCH (9X10)						1	
60	R	B9112012000	26034702	WRENCH (11X14)						1	1.00
61		14058101		TIMING GAUGE	FOR MEB--3200TS,TA					1	
62		14045801		SCREW	EXCEPT MEB-3200S(CHINA), JS(CHINA),-CS(CHINA),JS(JE)				☆	1	
63		14045900		TENSION SPRING	EXCEPT MEB-3200S(CHINA), JS(CHINA),-CS(CHINA),JS(JE)				☆	1	
64		40023465		THREAD GUIDE	EXCEPT MEB-3200S(CHINA), JS(CHINA),-CS(CHINA),JS(JE)				☆	1	
65		40023941		INSTRUCTION MANUAL (CC)	FOR CHINA					1	

ACCESSORY PARTS COMPONENTS



ACCESSORY PARTS COMPONENTS

No.	Supply Code	Parts No.	Replacement	Parts name	Remarks	Choice	Step	Level	Cons	Qty	Rep. QTY
66		CM600100201		WEEE INFORMATION SHEET	EXCEPT U- SE IN JAPAN					1	
67		32051708		THREAD GUIDE	FOR MEB-- 3200JS(JE)				☆	1	
68		40095763		INSTRUCTION MANUAL (JE)	FOR JE					1	

## HOW TO MAKE USE OF THIS PARTS LIST

### 1.Explanation of codes

1)"\*"mark.....means this part is changed from the previous parts book.

As to the details of the change, refer to the "List for information of change".

2)"#01".....refer to "Note" explanation at bottom of page.

### 2.Codes on the "Qty" column

- Each numeral indicates the number of parts required.
- "0.1" and "2.5" indicate the length (in meters) of the respective parts.

3.Parentheses mean that the corresponding part is a subpart that constructs an assembly part.

4.Dotted lines on the Figures indicate assembly parts.

5.As to the parts with marks of "☆"(consumable parts) and "◎"(optional parts)on the respective parts, it is recommended to prepare spares.

### 1."注記"欄の記号説明

1) "\*"印.....前回のパーツブックに比較して今回変更された部品を意味します。

変更内容は、"変更情報リスト"を参照してください。

2) "#01".....ページ下の"注記"の説明を参照してください。

2.数量欄の数字は、個数を表し、0.1、2.5等の数値は、長さ（単位メートル）を表します。

3.数量欄の（ ）は、組部品を構成している子部品であることを意味します。

4.イラストページの-----枠は、組構成であることを意味します。

5.リストページの"☆"（消耗部品）、"◎"（オプション部品）の印がついた部品は、予備を準備しておくことをお奨めします。

# NUMERICAL INDEX OF PARTS

PART NO	PAGE	REF NO.	PART NO	PAGE	REF NO.	PART NO	PAGE	REF NO.
10004109	6	8	14010102	40	11	14044903	104	8
10004109	88	55	14010102	108	65	14045306	62	42
10112704	44	23	14010508	34	49	14045504	48	90
10507200	28	7	14010508	36	49	14045504	62	36
10507200	30	14	14010508	40	12	14045801	60	46
10523504	14	38	14010508	98	80	14045801	112	62
10622009	2	32	14010508	100	80	14045900	60	45
10700706	6	10	14011407	36	47·67·74	14045900	112	63
10743003	6	9	14011506	36	48·68·75	14050157	30	17
11000403	2	12	14012504	4	54	14058002	112	37
11041100	40	32	14012504	100	62	14058101	112	45·61
11041100	98	29	14013809	106	38	14058200	112	46
11155108	82	4	14013908	106	35	14058804	98	13
11155207	82	5	14028302	44	28	14058804	108	71
11155801	82	6	14028708	44	30	14058903	98	14
11156007	82	7	14029755	44	32	14058903	108	72
12118709	30	15	14029904	44	33	14059505	106	36
12204004	18	15	14030001	44	35	14059604	106	33
13156500	10	14	14030100	44	36	14059703	106	37
13168901	110	20	14030100	104	9	14059802	106	34
13168950	110	19	14030506	44	37	16121907	74	57
13707500	50	8	14030605	44	38	16203507	62	31
13715701	56	11	14030803	44	39·74	16870206	82	29
13715800	56	12	14030902	44	8·40	16992604	46	49
13737804	22	25	14031017	44	41·71	17845009	86	20
13737804	26	19	14031116	46	42·66·83	18027607	56	14
13850052	110	1	14032403	46	45	21057500	34	50·83
13887005	44	24	14039507	76	10	21057500	36	50·83
13887005	54	9	14040703	72	4	21057500	38	50·83
14003701	82	40	14040802	72	5	22502504	68	9
14003800	82	39	14040802	76	35	22888507	52	7
14005508	58	18	14041206	72	6·60·62	22928808	70	25
14005607	58	19	14041206	98	15	22930309	110	11
14006506	58	20	14041206	108	63	22930408	110	7
14007009	58	21	14041404	106	32	22930507	110	6
14007108	56	13	14041404	110	30	22930556	110	5
14009005	58	22	14042501	106	15	22930705	110	3
14009104	58	23	14042600	106	18	22930804	110	18
14009203	58	24	14042808	106	21	22930903	110	17
14009302	58	25	14042907	106	23	22931000	110	16
14009807	58	26	14042907	110	31	22931109	110	15
14010003	34	16·34	14043103	106	26	22931307	110	8
14010003	40	10	14043301	106	29	22931406	110	2
14010003	108	66	14044200	62	17	22932800	112	42
14010102	34	17·35	14044903	46	48	22933006	112	41

# NUMERICAL INDEX OF PARTS

PART NO	PAGE	REF NO.	PART NO	PAGE	REF NO.	PART NO	PAGE	REF NO.
22933105	112	57	32005704	10	45	32012700	18	13-52
22933204	110	23	32005902	10	15	32012809	18	43
24003600	88	56	32006108	10	12	32012809	100	63
26034801	112	58~60	32006306	10	23	32012908	20	12-51
26037200	6	14	32006504	12	67	32013005	20	13-52
26217604	4	49	32007007	14	1	32013104	20	14-53
26217604	68	27	32007106	14	2	32015109	28	21
26217604	100	55	32007205	16	73	32015109	66	2
26501502	14	39	32007403	14	71	32015208	66	3
29343217	112	38-39-65-68	32007403	16	71	32015307	66	4
			32007403	98	20	32015406	66	5
29343316	112	38-39-65-68	32007700	14	8	32015505	66	6
32000507	2	1	32007809	14	9	32015653	66	7-19
32000606	2	2	32007908	14	10	32015802	66	7-19
32000705	2	3	32008005	14	11	32016008	28	1
32000804	2	4	32008104	14	12	32016107	28	2
32000903	6	1	32008203	14	13	32016206	28	4
32001000	2	5	32008302	14	14	32016305	28	5
32001109	6	2	32008401	14	15	32016404	28	12
32001208	2	6	32008559	14	16	32016503	28	6
32001307	2	7	32008658	14	19	32016602	28	13
32001406	6	3	32008906	14	22	32016701	28	14
32001505	6	4	32009003	14	23	32017006	22	1
32001604	2	8	32009102	14	24	32017006	26	1
32001703	2	9	32009201	14	25	32017105	22	2
32001802	2	10	32009300	14	26	32017105	26	2
32002008	4	46	32009409	14	27	32017204	26	3
32002008	100	61	32009508	14	28	32017303	26	4
32002107	2	11	32009607	14	29	32017451	22	5
32002255	12	49	32009706	14	30	32017451	26	5
32002255	94	37	32009805	14	31	32017501	22	6
32002354	6	41	32009904	14	32	32017600	22	7
32002354	96	41	32010001	14	33	32017709	26	6
32002602	2	26	32011504	18	1	32017865	22	8
32002750	6	39	32011603	18	2	32018012	22	10
32002800	6	6	32011702	18	3	32018103	22	28
32003659	6	7	32011801	18	4	32018210	24	49
32003808	4	53	32011900	18	5	32018301	22	12
32003808	100	57	32012007	18	6	32018400	22	13
32004517	10	1-36	32012106	18	7	32018509	22	14
32004608	10	2	32012205	18	8	32018608	22	15
32004707	10	3	32012304	18	9	32018707	22	16
32004806	10	4	32012403	18	10	32018806	22	17
32005209	10	8	32012502	18	11	32018905	22	18
32005605	12	58	32012601	18	12-51	32019002	22	19

## NUMERICAL INDEX OF PARTS

PART NO	PAGE	REF NO.	PART NO	PAGE	REF NO.	PART NO	PAGE	REF NO.
32019101	22	20	32025306	104	6	32028516	98	3
32019200	22	21	32025405	104	7	32028607	34	45·65·81
32019309	26	7	32025504	104	32	32028607	36	45·65·81
32019408	22	23	32025603	104	39	32028607	100	77
32019507	22	24	32026007	34	1	32028607	108	68
32019606	26	8	32026106	34	2	32028706	34	46·66·82
32019705	24	47	32026205	34	36	32028706	36	46·66·82
32019853	26	9	32026304	34	37	32028706	100	78
32019903	26	10	32026403	34	38	32028706	108	67
32020000	22	3	32026502	34	39	32028805	36	47·67·74
32020109	26	11	32026809	34	7	32028805	100	75
32020257	26	12	32026809	40	1	32028854	100	74
32020406	22	4	32026908	34	8	32028912	36	48·68·75
32020505	26	13	32026908	40	2	32028912	100	76
32020703	26	15	32027005	34	9	32029001	98	22
32020802	26	16	32027005	40	3	32029050	98	12
32020919	26	17	32027104	34	10	32029100	98	23
32021008	26	18	32027104	40	4	32029209	36	62
32021206	12	63	32027203	34	40	32029308	36	63
32021206	22	22	32027203	40	5	32029407	102	85
32021404	112	45·61	32027401	34	41	32029506	102	91
32021552	24	48	32027401	40	6	32029704	36	71
32021859	26	41	32027500	34	42	32029803	36	72·79
32023004	30	1	32027500	40	7	32029902	36	73·80
32023103	30	2	32027609	34	31	32031007	40	23
32023210	30	3	32027609	110	33	32031007	98	31
32023319	30	4	32027708	34	32	32031056	98	28
32023400	28	24	32027708	110	34	32031064	98	27
32023400	30	5	32027807	38	72·79	32031106	40	24
32023558	30	6	32027906	38	73·80	32031106	100	44
32023756	30	9	32028003	34	43	32031155	98	39
32023905	30	12	32028003	40	8	32031205	40	25
32024002	30	13	32028102	34	44	32031205	98	32
32024416	104	18	32028102	36	44	32031304	40	26
32024481	104	1	32028102	40	9	32031304	98	34
32024499	104	16	32028201	36	45·65·81	32031502	40	27
32024507	104	19	32028201	98	4	32031502	100	45
32024606	104	20	32028201	108	70	32031601	40	28
32024713	104	27	32028300	36	46·66·82	32031601	100	48
32024804	104	28	32028300	98	5	32031700	40	29
32024903	104	3	32028300	108	69	32031700	98	38
32024952	104	2	32028409	36	47·67·74	32031809	40	30
32025009	104	21	32028409	98	2	32031809	98	35
32025108	104	4	32028458	98	1	32031908	40	31
32025207	104	5	32028516	36	48·68·75	32031908	100	50



NUMERICAL INDEX OF PARTS

PART NO	PAGE	REF NO.	PART NO	PAGE	REF NO.	PART NO	PAGE	REF NO.
32032005	4	47	32040404	46	78~82	32044109	52	2
32032005	100	60	32040503	48	78~82	32044208	52	31·32
32032054	100	53	32040602	48	78~82	32044307	52	4
32032104	40	38	32040701	48	78~82	32044406	52	5
32032104	98	41	32040800	44	8·40	32044505	52	6
32032203	40	39	32040917	48	42·66·83	32045809	54	2
32032203	98	42	32041055	58	1	32045908	54	4
32034001	42	1	32041105	58	4	32046054	54	1
32034308	42	2	32041204	58	8	32046302	54	3
32034407	42	3	32041303	58	2	32046401	54	5
32034506	42	4	32041402	58	3	32046500	54	6
32034605	42	5	32041501	58	16	32046609	54	7
32034704	42	6	32041600	58	6	32046708	54	8
32034803	42	7	32041709	58	7	32048100	56	1
32034902	42	8	32042004	58	10	32048209	56	2
32035008	42	9	32042103	58	11	32048308	56	3
32035107	42	10	32042350	58	5	32048506	56	4
32035206	42	27			14·15·38-	32048605	56	5
32036501	50	27	32042715	58	·39·41·4-	32048704	56	6
32036600	50	7			7·48	32048803	56	7
32036709	50	5	32042830	58	14·15·38-	32048902	56	8
32036808	50	6			·39·41·4-	32049009	56	9
32036907	50	2	32042830	100	7·48	32049108	56	10
32037004	50	4			65~	32050551	62	1
32037400	48	15·85	32042913	100	73·89·90	32050957	62	3
32038051	44	1	32043010	100	65~	32051005	62	2
32038259	44	2			73·89·90	32051203	52	27~30
32038408	44	3	32043135	100	65~	32051302	52	27~30
32038507	44	4			73·89·90	32051401	52	27~30
32038614	44	5	32043218	100	65~	32051500	52	27~30
32038705	44	6			73·89·90	32051708	60	42
32038804	44	7	32043325	100	65~	32051708	114	67
32039109	44	9			73·89·90	32052201	62	7
32039208	44	10	32043424	58	14·15·38-	32052300	62	8
32039307	44	11			·39·41·4-	32052409	62	9
32039505	44	13	32043424	100	7·48	32052508	62	10
32039604	44	14			65~	32052656	62	11
32039703	44	15·85	32043523	58	73·89·90	32052854	62	12
32039802	44	78~82			14·15·38-	32053001	62	13
32039802	46	78~82	32043523	100	·39·41·4-	32053209	62	15
32039901	44	17			7·48	32053209	96	43
32040008	44	18	32043622	100	65~	32053357	62	16
32040115	44	19			73·89·90	32053357	94	35
32040206	44	20	32043713	60	14·15·38-	32053407	62	28
32040305	44	21			·39·41·4-	32053506	62	4
			32044000	52	7·48			
					1			

## NUMERICAL INDEX OF PARTS

PART NO	PAGE	REF NO.	PART NO	PAGE	REF NO.	PART NO	PAGE	REF NO.
32053506	68	30	32062408	106	4	32067803	108	53
32054603	68	3	32062507	106	5	32067803	110	27
32054900	68	5	32062606	106	6	32067902	108	54
32054900	96	42	32062705	106	7	32068009	76	7-34
32055105	68	6	32062804	106	8	32068009	108	55
32055204	68	7	32062903	108	46	32068009	112	55
32055303	68	8	32063000	106	9	32068108	108	56
32055501	68	11	32063109	106	10	32068108	110	28
32055600	68	32	32063208	106	11	32068207	76	7-34
32055709	68	33	32063307	106	12	32068207	108	57
32055808	68	34	32063406	106	13	32068207	112	56
32055907	68	35	32063505	106	14	32068306	108	58
32057002	70	1	32063604	74	6-60-62	32068306	110	29
32057101	70	6	32063604	98	6	32068405	108	59
32057309	70	3	32063604	106	39	32068504	108	60
32057457	70	4	32063703	74	6-60-62	32068603	108	61
32057655	70	5	32063703	100	79	32068702	74	63-64
32057804	70	7	32063703	108	64	32068801	74	63-64
32057903	70	8	32063802	106	40	32068900	76	9
32058000	70	9	32063901	106	41	32072001	78	3
32059503	76	24	32064008	108	42	32072118	78	1-2-23
32059602	76	25	32064107	108	43	32072217	78	1-2-23
32059701	72	15	32064206	108	44	32072308	78	10
32059800	72	16	32064305	108	45	32072407	78	1-2-23
32059909	72	17	32064404	106	16	32073504	80	2
32060006	72	18	32064503	106	17	32073603	80	3
32060303	72	19	32064602	106	19	32073702	80	4
32060402	72	20	32064701	106	20	32073801	80	5
32060501	72	21	32064800	106	22	32073900	80	6
32060600	72	22	32064909	106	24	32074106	80	7
32060709	72	23	32065005	106	25	32074759	80	1
32060808	72	24	32065104	106	27	32074908	80	10
32060907	76	1	32065203	106	28	32075301	74	59
32061004	76	2	32065302	106	30	32075400	80	11
32061103	76	3	32065401	106	31	32075509	80	12
32061210	76	4	32065500	76	8-33	32075608	80	13
32061319	76	5	32066805	76	8-33	32076507	6	19
32061400	76	6	32066904	108	62	32076655	6	43
32061558	76	23	32067209	108	47	32076655	94	29
32061715	72	1	32067209	110	26	32076853	2	42
32061806	72	2	32067308	108	48	32076853	94	32
32061913	72	3	32067407	108	49	32076903	2	44
32062101	106	1	32067506	108	50	32077059	42	31
32062200	106	2	32067605	108	51	32077059	94	33
32062309	106	3	32067704	108	52	32077109	42	32

NUMERICAL INDEX OF PARTS

PART NO	PAGE	REF NO.	PART NO	PAGE	REF NO.	PART NO	PAGE	REF NO.
32077208	42	34	40016000	36	78	40051640	86	25·63
32077356	74	51	40016000	98	83	40058951	8	63
32077356	94	39	40016000	100	83	40059365	72	25
32077356	96	39	40016045	70	2	40059718	86	3·4
32077406	74	52	40018402	104	17	40059718	94	4~6
32077505	74	54	40018894	28	3	40059719	86	3·4
32077653	52	18	40020192	48	94	40059719	94	4~6
32077653	96	40	40020277	52	31·32	40059760	10	7
32077703	52	20	40020389	62	30	40066088	2	17
32077802	52	23	40020389	68	26	40066088	100	56
32077950	94	34	40020390	68	1	40085144	48	95
32078057	16	67	40020391	62	14	40091928	78	33
32078057	94	31	40020483	62	5	40094560	82	11
32078107	14	17	40021684	94	38	40095763	114	38·39·65- ·68
32078206	14	20	40023425	6	11	40097980	44	12
32078354	26	39	40023426	66	1	40097981	44	31
32078354	94	30	40023464	62	43	40097982	48	92·93
32078503	8	55	40023465	60	43	40097989	48	92·93
32078552	6	44	40023465	112	64	40098641	86	6
32078651	8	56	40023662	78	5	40098646	86	7
32078800	8	57	40023941	112	38·39·65- ·68	40099470	10	10
32078909	8	58			14·15·38- ·39·41·4- 7·48	40099471	12	69
32079006	8	59	40029122	60	65~	40099923	48	97
32079105	8	60			73·89·90	40099924	44	25
32079204	8	61	40029122	102	14·15·38- ·39·41·4- 7·48	40099925	46	46
32080707	82	2			65~	40099934	80	8
32080806	82	3	40029123	60	73·89·90	40099935	80	41
32080905	82	36			65~	40099936	80	43
40009163	18	16	40029123	102	73·89·90	40099937	80	9
40009222	28	8			9	40099942	58	12
40009222	30	18	40034923	22	9	40099943	58	13
40010477	68	28	40035024	92	16	40099944	58	9
40011721	68	2	40035238	38	45·65·81	40099989	50	23~26
40012051	10	1·36	40035238	108	74	40099990	50	23~26
40015684	46	42·66·83	40035239	38	46·66·82	40099991	50	23~26
40015685	46	41·71	40035239	108	73	40099992	50	23~26
40015692	46	44	40039176	52	25·26	40100085	50	19~22
40015693	46	43	40039177	52	25·26	40100086	50	19~22
40015694	46	39·74	40039843	108	76	40100087	50	19~22
40015996	26	14	40039844	108	75	40100088	50	19~22
40015997	36	76·77	40042767	86	2	40100140	10	6
40015997	98	11	40042767	94	16	40100141	12	71
40015998	36	76·77	40049095	6	5	40100142	12	61
40015998	100	84	40050672	90	22	40100143	10	5
40015999	98	25	40050672	96	63			

# NUMERICAL INDEX OF PARTS

PART NO	PAGE	REF NO.	PART NO	PAGE	REF NO.	PART NO	PAGE	REF NO.
40100144	12	73	B1618804000	62	29	BME03220000	90	23~29
40100145	12	74	B1633210D00	56	15	BME03240000	90	23~29
40100146	10	16	B1643470000	46	52	BME03400000	90	23~29
40100147	12	60	B1651210000	26	20	BME03415000	90	23~29
40100148	12	62	B1658506E00A	58	27	BP300000100	80	36
40100149	10	13	B1707555000	14	36	BP500000000	80	37
40100150	12	75	B1816280000	42	12	BT0320201EB	68	4
40100151	12	66	B1821210D00	48	86	BT0320201EB	104	31
40100152	12	76	B1821210D00	80	14	BT0400251EB	76	12
40100153	12	57	B1906581000	58	17	BT0400251EB	78	6
40100154	12	56	B2313180000	60	44	BT0600401EB	78	37
40100157	12	77	B2313180000	112	40	BT1200801EF	72	7
40100158	12	78	B242328000C	66	20	BT1200801EF	102	86
40100165	10	9	B2440210D00	18	17	CM100300001	8	62
40100390	12	59	B2609280000	18	18	CM200100001	90	30
40102607	48	88-89	B3107352000	70	23	CM300100001	88	54
40102608	48	88-89	B3108352000	70	24	CM300100004	6	18
40104361	50	18	B3126012000	70	26	CM300100101	88	53
40116677	8	64	B3129012A00	70	27	CM300200001	6	25
40131921	14	4	B3501210000	80	15	CM300200001	10	11
40131921	98	19	B3509210000	20	46	CM300200001	76	39
40131922	16	70	B3518280000	80	16	CM300200002	6	15
40131923	14	7	B3529226000	80	17	CM300200003	6	21
40131924	14	72	B3538112000	76	11	CM300200003	12	68
40131924	16	72	B4105522000	30	19	CM301300001	6	13
40131924	98	21	B47152100A0	96	49	CM600100101	6	24
40131925	14	3	B47152150A0	78	4	CM600100101	92	12
40131925	98	18	B8101221DA0	82	9	CM600100201	114	66
40131926	16	69	B8111220000	10	19	CQ200000000	80	38
40158930	82	1	B8112220000	10	18	CQ202000000	80	40
40158931	82	38	B8202205000	10	20	CQ252000000	10	22
40164556	92	3	B8210012000	82	32	CQ252200000	80	39
40164557	92	4	B9112012000	112	58~60	CQ303000000	48	91
A1230500000A	52	8	B9113012000	112	58~60	CQ3500000F0	48	87
B1128850000	70	10	B9121012000	10	21	CS0640860SH	30	20
B1135850000	46	50	B91210120A0	110	25	CS0700811SH	50	9
B1140761000	6	17	B9140372000	112	47~53	CS080081BSH	40	33
B1140761000	80	18	B9142372000	112	47~53	CS080081BSH	100	51
B1144210000	6	12	BME01100000	90	8~13	CS080081CSH	30	21
B1150490000	2	33	BME01110000	90	8~13	CS0800881TP	12	80
B1211280000	46	51	BME01120000	90	8~13	CS100081CSP	46	53
B1212210D00	52	9	BME01220000	90	23~29	CS100081CSP	62	18
B1223771000	12	47	BME01230000	90	23~29	CS100101DSH	14	40
B1503771000	66	10	BME01240000	90	23~29	CS1201010SH	42	13
B1513210000	64	44	BME03200000	90	8~13	CS1201010SH	46	54

# NUMERICAL INDEX OF PARTS

PART NO	PAGE	REF NO.	PART NO	PAGE	REF NO.	PART NO	PAGE	REF NO.
CS1201010SH	54	11	HX001350000	82	33	M3002620000	92	5-6
D2112555B00	20	47	HX00147000C	86	16	M300359000A	88	60-61
D2112555B00	80	19	HX00150000A	2	15	M3003620000	88	60-61
D2522232D00	26	21	HX00150000A	10	26	M300451100A	88	44-47
D2587L8WB00	18	19	HX00150000A	62	26	M3009510000	86	36
D2588L8WB00	18	20	HX00150000A	68	12	M3011620000	88	44-47
D2611555B00A	20	45	HX00150000C	2	16	M8501620AA0	94	1~3
D8204555D00	82	10	HX00150000C	80	24	M8501620BA0	94	1~3
D8204555D00	88	48	HX00150000F	82	34	M8501620CA0	94	1~3
E1902172000	14	41	HX00150000F	102	87	M85046200A0	88	42-43
E2193172000	10	24	HX00150000H	82	22	M8510620AA0	92	1-2
E5541172000	14	43	HX00150000J	2	18	M8510620AA0	94	24-25
EA9500B0100	2	13	HX00150000J	6	26	M8510620BA0	92	1-2
EA9500B0100	8	52	HX00150000J	10	28	M8510620BA0	94	24-25
EA9500B0100	78	9	HX00150000M	10	27	M85125810A0	90	31
EA9500B0100	80	21	HX00150000N	82	14	M85216000A0	86	39
EA9500B0100	104	40	HX00188000A	10	29	M85216000A0	94	10-11
EA9500B0200	74	65	HX002330000	78	11	M85236000A0	86	5
G1002007000	92	13	HX003260000	10	30	M85236000A0	96	64
G1216870000	50	10	HX00326000B	2	19	M85405900A0	86	12
G5103162000	72	26	HX00326000F	2	20	M85405900A0	94	9
G5314161000	2	14	HX003390000	12	53	M85905130AA	90	14
G5618830000	6	16	HX00364000E	78	12	M85905130AA	96	62
G5705880000	72	27	HX004070000	86	18	M8599600AA0	88	42-43
G6264870000	10	25	HX004100000	86	19	M8601620AA0	86	1
GCT02905000	112	47~53	J106600000C	112	47~53	M8601620AA0	94	15
GCT02906000	112	47~53	J106600000D	112	47~53	M86026200A0	12	52
GEB03653000	110	32	KM000000300	76	26	M86026200A0	96	56
HA00303000A	96	60-61	KM000000300	96	47	M86036200A0	94	26
HA004250000	86	23	KM000000310	14	34	M86046200A0	94	27
HA004250000	96	60-61	KM000000310	96	45	M8901620AA0	86	10-11
HF001301000	88	45-46	KM000000320	14	35	M8901620AA0	94	7-18
HF0084063P0	88	45-46	KM000000320	96	44	M8901620BA0	86	10-11
HK026650080	86	14	KM000000330	42	11	M8901620BA0	94	7-18
HK026650080	94	12~14	KM000000330	96	46	M90016200A0	90	15
HK054250040	86	15	KM000000340	50	1	M90016200A0	96	58
HK054250040	94	12~14	KM000000340	96	48	M90026200A0	90	16
HM000860010	86	13	M1002620000	88	49	M90026200A0	94	21
HN001490000	90	36	M1003590000	86	8	M90036200A0	90	17
HN002460000	90	35	M1010600000	92	8	M90036200A0	94	22
HX00065000A	74	58	M1011580000	92	11	M90046200A0	90	21
HX00065000A	82	12	M1031580000	92	10	M90046200A0	96	50
HX00065000A	90	32	M10315800A0	92	9	M90076200A0	86	22
HX00094000A	80	22	M2001600000	92	14	M90076200A0	94	8
HX00123000B	86	21	M3001620000	92	5-6	M90106200A0	90	18

# NUMERICAL INDEX OF PARTS

PART NO	PAGE	REF NO.	PART NO	PAGE	REF NO.	PART NO	PAGE	REF NO.
M90106200A0	94	23	NM6040000SN	68	13	PH0400105S0	42	15
M90116200A0	90	19	NM6040001SC	28	28	PJ032039002	104	11
M90116200A0	94	20	NM6040003SC	28	27	PJ032052503	18	25
M90136200A0	90	20	NM6040003SC	30	24	PJ032052503	72	8
M90136200A0	94	19	NM6040003SC	74	50	PJ046039002	68	36
M90146200A0	90	33	NM6050001SC	10	65	PJ046039002	104	25
M90146200A0	94	28	NM6050001SC	12	65	PJ046052501	70	14
M90156200A0A	78	24	NM6050001SE	110	13	PJ046052501	76	13
M90156200A0A	96	57	NM6050001SP	18	21	PJ046052503	18	26
M90175800A0	90	1	NM6050001SP	30	25	PJ046052503	22	27
M90175800A0	96	51~55	NM6050001SP	80	30	PJ046052503	26	23
M90206200A0	94	36	NM6050003SC	42	14	PJ046052503	30	28
M90216200A0	92	7	NM6050003SC	46	56	PJ046052503	34	52
M90216200A0	96	59	NM6060001SC	82	31	PJ046052503	36	52
M90226200A0	88	51	NM6060001SE	88	57	PJ046052503	40	14
M90226200A0	94	17	NM6060003SC	46	58	PJ046052503	68	15
M90236200A0	88	52	NM6060003SC	62	19	PJ210203100	104	37
M90236200A0	94	10·11	NM6080721SE	78	13	PJ303030001	68	38
M90245800A0	90	4	NM6100001SC	72	28	PJ304030001	104	36
M90245800A0	96	51~55	NM6160511SE	110	12	PJ305065204	78	34
M9024620000	104	33	NM6610515SC	72	29	PJ308040002	78	15·30·32
M90285800A0	90	3	NS6110310SP	4	58	PJ309520001	110	36
M90285800A0	96	51~55	NS6110310SP	8	54	PS0150065KP	22	11
M90345800A0	90	5	NS6110310SP	18	22	PS0150082KH	104	23
M90345800A0	96	51~55	NS6110310SP	26	22	PS0200052KH	74	61
M90355800A0	90	2	NS6110310SP	70	11	PS0200162KH	62	24
M90355800A0	96	51~55	NS6150310SP	4	52	PS0200162KH	68	39
MAI17001000	112	47~53	NS6150430SP	70	28	PS0250062KH	104	29
MAO11108N00	82	16	NS6660430SP	18	23	PS0300182KH	72	30
MAO11532000	88	62	NS6660430SP	50	11	PS0400142KH	52	10
MC185801000	58	28·29·40	PA040030100	104	24	PS0400162KP	4	50
MC185801002	112	43·44·54	PA1001501A0	70	12	PS0800162KP	10	33
MC185801100	58	28·29·40	PA1001529A0	68	14	PV010015000	78	27
MC185801102	112	43·44·54	PA100153200	104	10	PV150209100	104	42
MC185801200	60	28·29·40	PA1601525A0	18	24	PX050003000	78	26
MC185801202	112	43·44·54	PA1601525A0	30	27	PX500014000	78	16·25·28
MDFRX2001L0	110	24	PA1602011A0	34	51	PX500020000	18	27
MTJMS00000S	82	17	PA1602011A0	36	51	PX500020000	30	30
NM3040520SF	86	38	PA1602011A0	40	13	PX500020000	34	53
NM6020001SC	22	26	PA900034000	70	13	PX500020000	36	53
NM6030003SC	6	23	PB000010000	110	35	PX500020000	40	15
NM6030003SC	30	22	PC010522000	104	34	PX5000290A0	18	28
NM6040000SN	10	31	PC012401000	68	31	PX950001000	78	35
NM6040000SN	30	23	PC012401000	78	14·29·31	RC0100001KP	50	12
NM6040000SN	62	32	PF070501000	104	35	RC0470611KP	34	54

# NUMERICAL INDEX OF PARTS

PART NO	PAGE	REF NO.	PART NO	PAGE	REF NO.	PART NO	PAGE	REF NO.
RC0470611KP	36	54	SD0600271SP	6	27	SL6040892TN	2	22
RC0470611KP	40	34	SD0600311TP	26	27	SL6040892TN	6	42
RC0470611KP	98	30	SD0601021SP	6	45	SL6040892TN	10	38
RC0740811KP	40	35	SD0630275SP	70	15	SL6040892TN	62	38
RC0740811KP	100	49	SD0640231SP	6	46	SL6040892TN	80	44
RC0740816K0	42	16	SD0640321TP	18	29	SL6041092TN	2	38
RC1200001KP	52	11	SD0640324TP	18	30	SL6041092TN	6	28
RC1850001KP	72	31	SD0640326TP	18	31	SL6041092TN	10	40
RC1951211KP	14	44	SD0640326TP	66	12	SL6041092TN	14	18
RC2791218KP	50	13	SD0640381TP	26	28	SL6041092TN	62	39
RE0200000K0	104	22	SD0640801TP	66	13	SL6041092TN	68	19
RE0400000K0	28	16	SD0790311TP	18	32	SL6041092TN	70	16
RE0400000K0	30	31	SD0801501TP	56	16	SL6041092TN	76	16
RE0400000K0	62	27	SK1272001SE	82	35	SL6041092TN	80	27
RE0400000KP	4	57	SK3311601SE	82	20	SL6041092TN	102	88
RE0400000KP	100	54	SK3382001SE	82	23	SL6051092TN	16	50
RE0900000K0	16	47	SK3412001SE	82	37	SL6051092TN	68	20
RO037180100	104	13	SK3413201SE	92	17	SL6051092TN	72	36
RO297350100	76	14	SK3452001SE	78	36	SL6051092TN	80	28
RO455200200	76	15	SK3512001SE	86	24	SL6051292TN	6	50
SB108000200	42	17	SK3512001SF	90	34	SL6051292TN	8	50
SB110000400	50	14	SL4021091SC	8	48	SL6052592TN	50	15
SB112000100	52	12	SL4030631SC	64	45	SL6061292TN	70	18
SB112000600	42	18	SL4030891SC	86	27	SL6061492TN	10	42
SB117000700	46	59	SL4031041SC	52	19	SL6062092TN	50	16
SB120000200	72	32	SL4031081SC	62	6	SL6062592TN	10	41
SB120000900	72	33	SL4031481SC	10	34	SL6083092TN	10	43
SB33500020A	54	12~16	SL4040681SC	86	30	SL9082093SE	78	21
SB33500020B	54	12~16	SL4040681SC	90	7	SM0030301SN	68	21
SB33500020C	54	12~16	SL4040881SC	6	30	SM0030601SC	40	40
SB33500020D	54	12~16	SL4040881SC	10	54	SM0030601SC	80	42
SB33500020E	54	12~16	SL4040881SC	12	54	SM0030601SC	100	47
SB408000100	16	49	SL4040881SC	20	49	SM0040601SC	86	9
SB412000100	76	27	SL4041081SF	86	28	SM1030400SP	22	32
SB612000100	72	34	SL4041091SC	86	40	SM1030400SP	34	70
SB706000500	104	12	SL4041091SC	88	40	SM1030400SP	36	70
SB812000300	72	35	SL4041481SC	10	37	SM1030400SP	40	17
SD0400161TP	30	32	SL4051091SC	78	20	SM1030400SP	98	82
SD0460182SP	66	11	SL4051091SC	86	29	SM1030400SP	100	82
SD0500131TP	26	24	SL4051291SC	80	35	SM1030601SC	18	44
SD0500456TP	28	17	SL4061291SE	62	33	SM1030601SC	20	44
SD0500721SP	22	29	SL4851481SF	104	30	SM1030601SC	100	64
SD0500721SP	26	25	SL4860891SC	90	6	SM1040801SC	2	23
SD0550212TP	22	30	SL6030692TN	8	49	SM1040801SC	88	50
SD0550212TP	26	26	SL6031692TN	12	50	SM1040801SP	18	34

## NUMERICAL INDEX OF PARTS

PART NO	PAGE	REF NO.	PART NO	PAGE	REF NO.	PART NO	PAGE	REF NO.
SM1041001SN	2	25	SM6030802TN	76	17	SM6051602TP	72	37
SM1041001SN	22	33	SM6030802TP	46	63	SM6051602TP	76	29
SM1041001SN	26	29	SM6030802TP	68	23	SM6054552TN	18	36
SM1041001SP	34	56	SM6031002TP	42	35	SM6060802TP	72	38
SM1041001SP	36	56	SM6031202TP	58	31	SM6061002TP	80	31
SM1041001SP	40	18	SM6031602TP	68	24	SM6061202TP	30	35
SM1041001SP	100	46	SM6040502TP	22	38	SM6061610SC	110	4
SM1044050SM	86	37	SM6040502TP	80	29	SM6062002TN	16	56
SM1102552TT	10	17	SM6040602TN	16	45	SM6062002TN	76	20
SM1103552TT	10	44	SM6040602TP	70	20	SM6062002TP	72	39
SM3065052TC	88	58	SM6040602TP	74	55	SM6082502TN	82	24
SM4020401SC	22	34	SM6040602TP	76	18	SM6088502TP	84	42
SM4020601SC	22	35	SM6040802TP	28	19	SM6850502TN	46	69
SM4020601SC	26	30	SM6040802TP	30	34	SM6850600SP	46	70
SM4030455SN	28	18	SM6040802TP	34	57	SM8030412TP	46	62
SM4030455SN	30	33	SM6040802TP	36	57	SM8030412TP	68	29
SM4030501SC	8	47	SM6040802TP	40	19	SM8030502TP	30	36
SM4030501SN	22	37	SM6040802TP	46	64	SM8030602TP	72	13
SM4031851SR	86	31	SM6040802TP	52	21	SM8040412TP	28	20
SM4040501SN	12	70	SM6041002TP	22	41	SM8040412TP	30	37
SM4040655SP	6	34	SM6041002TP	26	31	SM8040412TP	54	17
SM4040855SP	46	60	SM6041002TP	46	96	SM8040612TP	34	60
SM4041055SP	16	51	SM6041002TP	48	96	SM8040612TP	36	60
SM4041455SN	16	52	SM6041202TN	70	17	SM8040612TP	58	35
SM4041655SP	16	53	SM6041202TN	76	19	SM8040612TP	66	18
SM4042055SP	16	54	SM6041202TP	34	58	SM8040802TP	28	10
SM4051055SP	76	28	SM6041202TP	36	58	SM8041012TP	28	22
SM4051405SE	110	9	SM6041202TP	40	20	SM8041012TP	30	38
SM4860801SC	2	43	SM6041202TP	42	19	SM8041402TP	28	23
SM4860801SC	16	68	SM6041202TP	72	10	SM8050412TP	40	37
SM5030655SP	104	14	SM6041402TP	46	61	SM8050412TP	98	52
SM5040855SN	18	35	SM6041402TP	58	32	SM8050412TP	100	52
SM5040855SN	40	36	SM6041602TP	42	20	SM8050502TP	46	72
SM5040855SN	98	33	SM6041602TP	46	68	SM8050502TP	58	36
SM6020402TN	104	26	SM6041602TP	74	49	SM8050512TP	12	72
SM6020450TP	22	39	SM6041802TP	58	33	SM8050612TP	30	39
SM6030402TN	6	33	SM6042502TN	64	46	SM8050612TP	54	18
SM6030402TP	72	9	SM6050802TP	12	64	SM8050812TP	62	40
SM6030402TP	76	36	SM6051002TN	34	59	SM8052502TP	32	40
SM6030502TN	68	22	SM6051002TN	36	59	SM8060602TP	16	58
SM6030602TP	58	30	SM6051002TN	40	21	SM8060602TP	72	66
SM6030602TP	62	35	SM6051002TN	98	40	SM8060602TP	74	66
SM6030602TP	66	15	SM6051002TP	16	55	SM8060602TP	76	30
SM6030602TP	68	37	SM6051202TP	42	21	SM8060612TP	50	17
SM6030802TN	22	40	SM6051202TP	72	11	SM8060812TP	12	79



NUMERICAL INDEX OF PARTS

PART NO	PAGE	REF NO.	PART NO	PAGE	REF NO.	PART NO	PAGE	REF NO.
SM8060812TP	16	61	SS8110422TP	52	17	WP0450801SP	30	41
SM8060812TP	42	23	SS8110422TP	56	18	WP0450801SP	32	41
SM8060812TP	46	73	SS8110422TP	66	16	WP0450801SP	70	29
SM8060812TP	50	3	SS8110750SP	56	19	WP0450846SP	16	66
SM8060812TP	52	16	SS8153010SR	4	51	WP0450846SP	18	40
SM8060812TP	54	20	SS8660330SP	76	38	WP0450846SP	64	47
SM8060812TP	56	17	SS8660512TP	12	55	WP0480856SP	8	53
SM8060812TP	62	20	SS8660610TP	56	20	WP0480856SP	52	22
SM8061002TP	12	46	SS8660612TP	56	21	WP0480856SP	66	9
SM8061212TP	16	63	SS8701042TP	72	42	WP0480856SP	80	20
SM8430550TP	58	34	SS8701782TP	72	44	WP0501016SC	92	18
SS1110840SP	2	29	SS9091010SP	32	42	WP0531000SC	12	81
SS4110715SP	80	33	ST4031051SN	92	15	WP0531000SC	46	76
SS4120615SP	80	34	TA0750404R0	22	44	WP0531000SD	72	45
SS4121215SP	2	31	TA0800501R0	2	34	WP0531000SD	76	32
SS5080212TP	26	32	TA0850604R0	2	35	WP0550800SP	4	56
SS5090420SP	22	42	TA0950806R0	2	36	WP0550800SP	18	41
SS5090610SP	34	64	TA1050504R0	2	37	WP0550800SP	42	29
SS5090610SP	36	64	TA1250406R0	2	39	WP0550800SP	100	58
SS5090610SP	40	16	TA1470704R0	2	40	WP0550836SC	88	41
SS5090610SP	98	43	WP0280501SC	48	84	WP0551016SH	42	37
SS6110480SL	6	35	WP0320500SC	26	37	WP0553216SD	18	42
SS6110480SP	14	21	WP0320500SC	28	11	WP0553216SD	30	7
SS6110480SP	26	34	WP0320500SC	30	16	WP0560860SE	20	50
SS6110480SP	104	41	WP0320500SD	72	14	WP0561616SC	42	28
SS6110520TP	26	35	WP0320500SD	76	37	WP0611626SP	56	22
SS6110610TP	42	24	WP0320501SC	6	37	WP0612516SD	30	8
SS6110610TP	52	3	WP0320501SC	42	36	WP0621016SH	46	77
SS6110610TP	58	37	WP0320501SC	66	17	WP0621016SH	74	46
SS6110610TP	70	21	WP0320501SC	68	25	WP0621046SP	30	10
SS6121010SP	6	36	WP0371036SD	30	26	WP0641600SC	62	23
SS7110510SP	18	37	WP0410846SC	12	51	WP0641601SC	76	22
SS7110510SP	42	33	WP0410846SC	46	47	WP0641601SC	82	25
SS7110570SP	18	38	WP0430800SD	28	25	WP0642016SD	74	47
SS7110710SP	44	26	WP0430800SD	42	26	WP0651001SC	88	59
SS7110710SP	62	41	WP0430801SC	22	45	WP0651056SH	30	11
SS7110830SP	2	45	WP0430801SC	52	24	WP0820516SP	42	30
SS7110840SP	16	64	WP0430801SC	68	10	WP0850002SP	82	30
SS7110840SP	18	39	WP0430801SC	74	56	WP0852086SC	82	41
SS7110840SP	22	43	WP0430801SC	76	21	WP0852086SC	84	41
SS7110840SP	26	36	WP0450000SD	62	22	WP0871602SE	78	22
SS7110840SP	62	21	WP0450801SD	6	38	WP1221016SP	2	41
SS7110840SP	70	22	WP0450801SP	22	46	WP1252210SC	74	48
SS7110840SP	74	53	WP0450801SP	26	40	WP1612616SE	110	14
SS711120TP	42	25	WP0450801SP	28	26	WS0310702KS	86	32

## NUMERICAL INDEX OF PARTS

PART NO	PAGE	REF NO.
WS0510002KN	110	22
WS0610002KN	82	27
WS0610002KN	86	17
WS1643202KR	110	21
WZ0320290UZ	34	61
WZ0320290UZ	36	61
WZ0320290UZ	40	22
WZ0320290UZ	98	81
WZ0320290UZ	100	81
WZ0620290KP	4	55
WZ0620290KP	100	59
WZ0620550KP	6	40
WZ0880200KP	26	38