

MODEL : SC-921(For China)

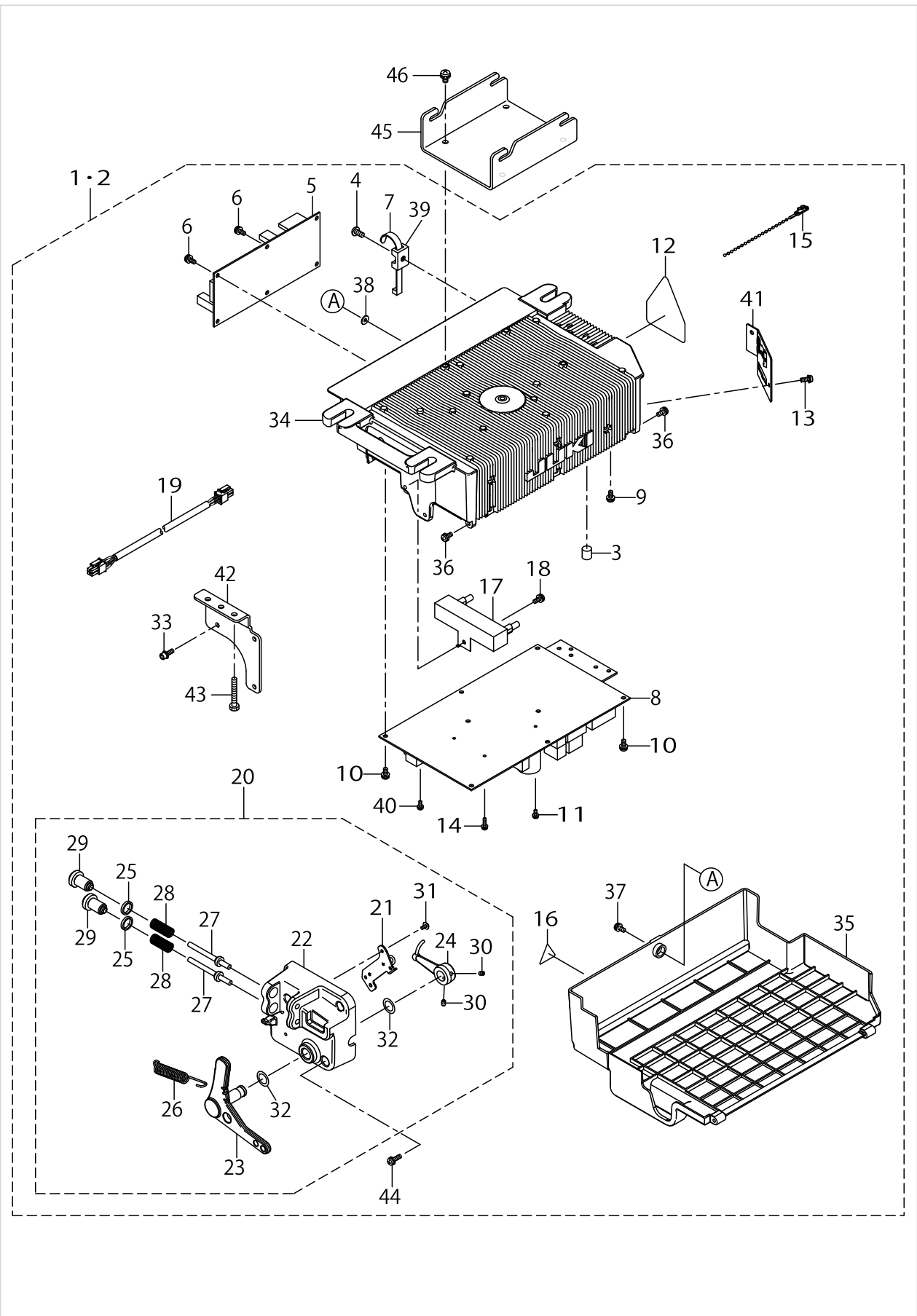
List No : 1550-03

PARTS LIST

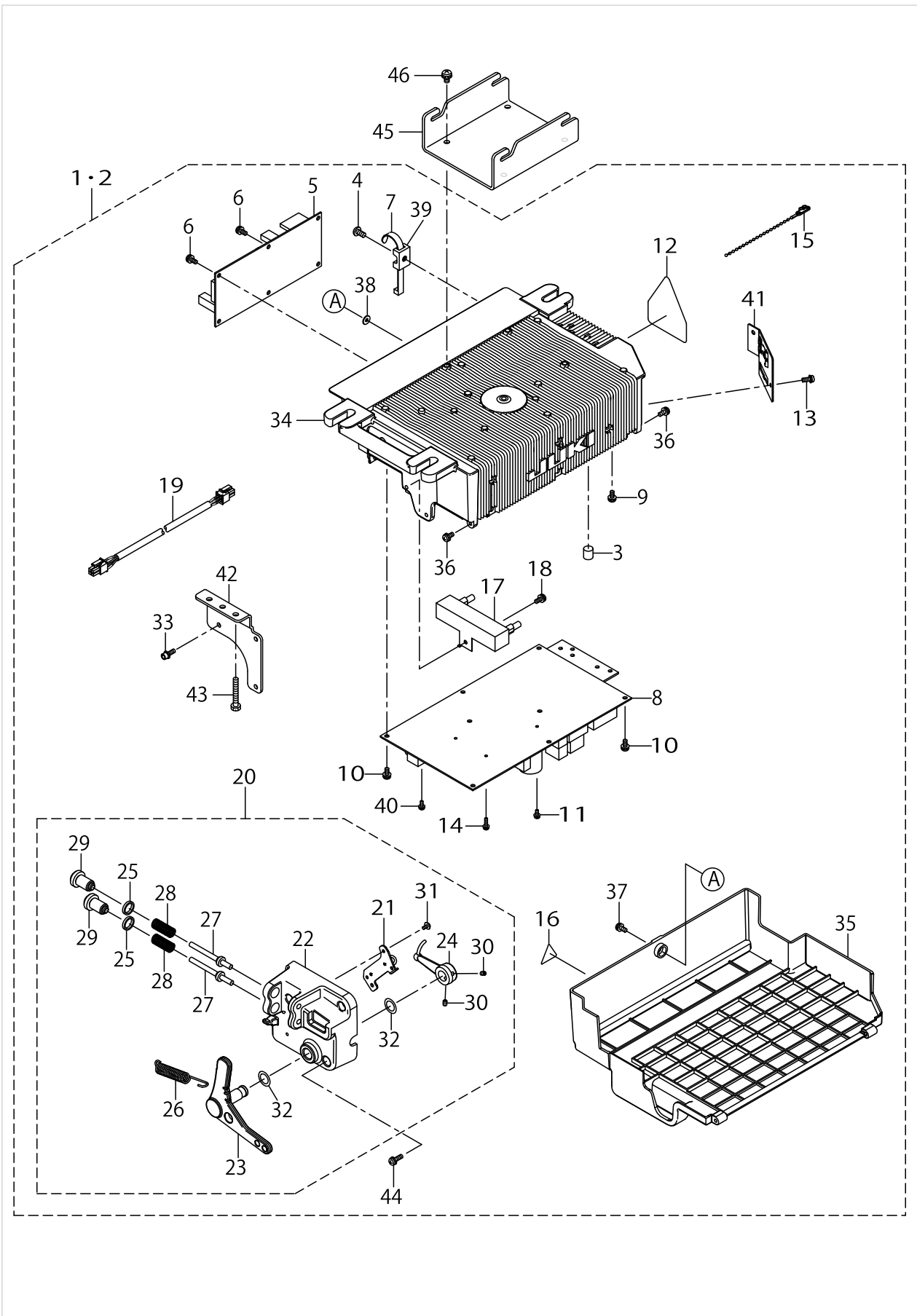
Published:05/12/2017

CONTENTS

| | |
|--|---|
| SC-921 | 1 |
| SC-921(Accessorie Parts) | 5 |
| CP-18 | 7 |
| HOW TO MAKE USE OF THIS PARTS LIST | 9 |

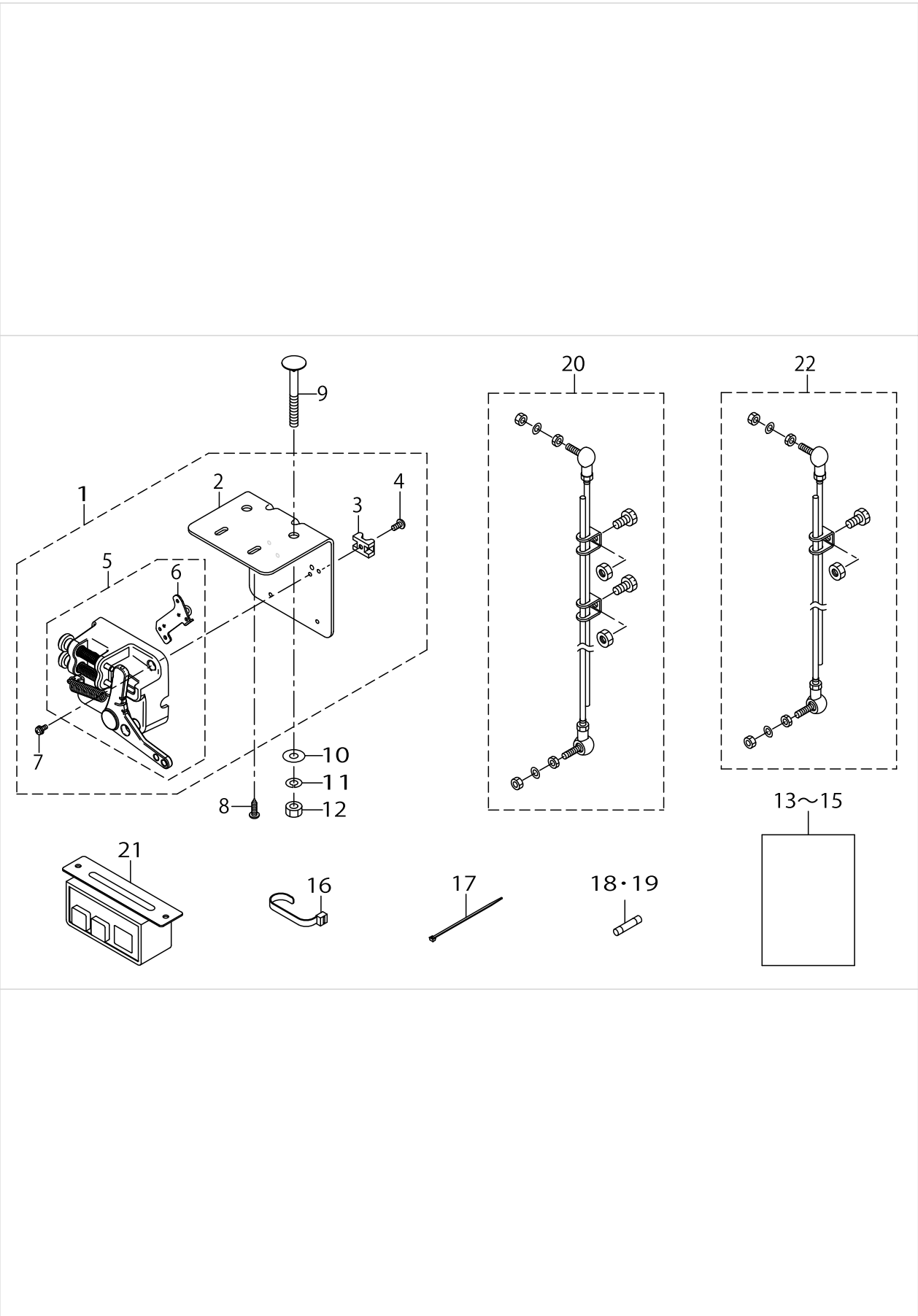


| No. | Supply Code | Parts No. | Replacement | Parts name | Remarks | Choice | Step | Level | Cons | Qty | Rep. QTY |
|-----|-------------|-------------|-------------|----------------------------------|---------------------------------|--------|------|-------|------|-----|----------|
| 1 | | 40095154 | | PSC UNIT 921 1P 2-20-240V PDL-SP | SEPARATION SPECIFICATIONS PEDAL | | | | | 1 | |
| 2 | | 40100920 | | PSC UNIT 921 1P 220-240V | SPECIFICATIONS WITH PEDAL | | | | | 1 | |
| 3 | | 40088316 | | RUBBER_CUSHION | | | | * | | 2 | |
| 4 | R | SM4051001SC | SM4051001SN | SCREW M5 L=10 | | | | * | | 1 | 1.00 |
| 5 | | 40095143 | | CTL921_PCB ASSY | | | | * | | 1 | |
| 6 | | SL4041081SC | | SCREW M4 L=10 | | | | * | | 6 | |
| 7 | | KX000000230 | | RELEASIBLE CABLE TIE | | | | * | | 1 | |
| 8 | | 40087129 | | PWR-S PCB ASSY | | | | * | | 1 | |
| 9 | | SL4040881SC | | SCREW M4 L=8 | | | | * | | 3 | |
| 10 | | SL4041081SC | | SCREW M4 L=10 | | | | * | | 10 | |
| 11 | | SL4030881SC | | SCREW M3 L=8 | | | | * | | 1 | |
| 12 | | CM300400602 | | VOLTAGE CAUTION LABEL L=25 | | | | * | | 1 | |
| 13 | | SL4041081SC | | SCREW M4 L=10 | | | | * | | 2 | |
| 14 | | SL4031081SC | | SCREW M3 L=10 | | | | * | | 2 | |
| 15 | | KX000000280 | | BEAD BAND | | | | * | | 2 | |
| 16 | | CM300100003 | | VOLTAGE WARNING LABEL(25) | | | | * | | 1 | |
| 17 | | 40087154 | | RESISTANCE_A_ASSY | | | | * | | 1 | |
| 18 | | SL4041091SC | | SCREW M4 L=10 | | | | * | | 1 | |
| 19 | | 40087153 | | DC POWER SUPPLY CORD ASSY | | | | * | | 1 | |
| 20 | | 40094259 | | PEDAL SENSOR ASM | SPECIFICATIONS WITH PEDAL | | | * | | 1 | |
| 21 | | 40094260 | | SENSOR COIL HOLD ASSY | SPECIFICATIONS WITH PEDAL | | | * | | 1 | |
| 22 | | 40042130 | | PEDAL_SENSOR_BASE | | | | * | | 1 | |
| 23 | | 40087156 | | PEDAL_LEVER_A | | | | * | | 1 | |
| 24 | | 40042133 | | PEDAL_LEVER_B | | | | * | | 1 | |
| 25 | | 40006202 | | ADJUST_NUT | | | | * | | 2 | |
| 26 | | 40006207 | | FRONT_SPRING | | | | * | | 1 | |
| 27 | | 40006208 | | SPRING_SHAFT_A | | | | * | | 2 | |
| 28 | | 40049426 | | SPRING_C | | | | * | | 2 | |
| 29 | | 40006212 | | ADJUST_SCREW | | | | * | | 2 | |
| 30 | | SM8040612TP | | SCREW M4 L=6 | | | | * | | 2 | |
| 31 | | SV4030601SR | | SCREW M3 L=6 | | | | * | | 2 | |
| 32 | | 40088315 | | THRUST COLLAR | | | | * | | 2 | |
| 33 | | SL6041292TN | | SCREW | SEPARATION SPECIFICATIONS PEDAL | | | * | | 3 | |
| 34 | D | 40087165 | | FRAME_A | | | | * | | 1 | |
| 35 | | 40087167 | | UNDER_COVER | | | | * | | 1 | |
| 36 | | 40087157 | | HING SCREW | | | | * | | 2 | |
| 37 | | SL4041681SC | | SCREW M4 L=16 | | | | * | | 1 | |
| 38 | | M8002430000 | | STOPPER | | | | * | | 1 | |
| 39 | | KX000000210 | | SADDLE TYPE TIE MOUNT | | | | * | | 1 | |
| 40 | | SL4030881SC | | SCREW M3 L=8 | | | | * | | 1 | |
| 41 | | 40087168 | | HOUSING_PLATE_A | | | | * | | 1 | |
| 42 | | 40093424 | | BOX BRACKET | SEPARATION SPECIFICATIONS PEDAL | | | * | | 1 | |



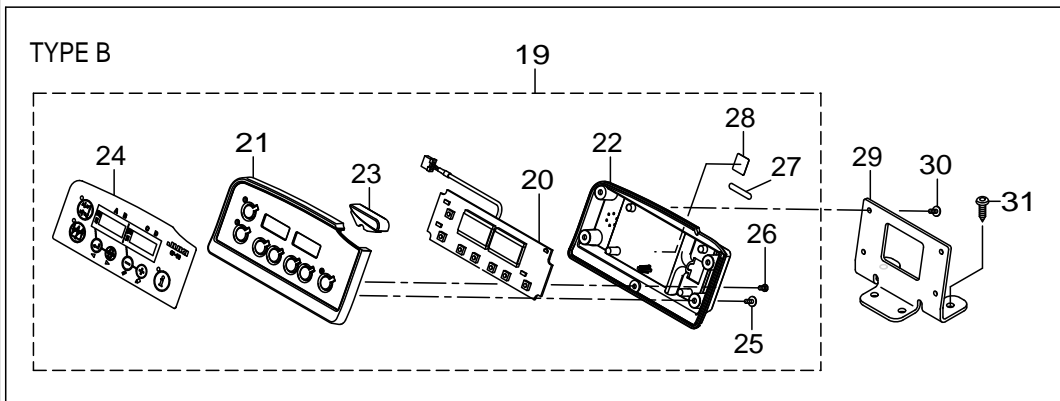
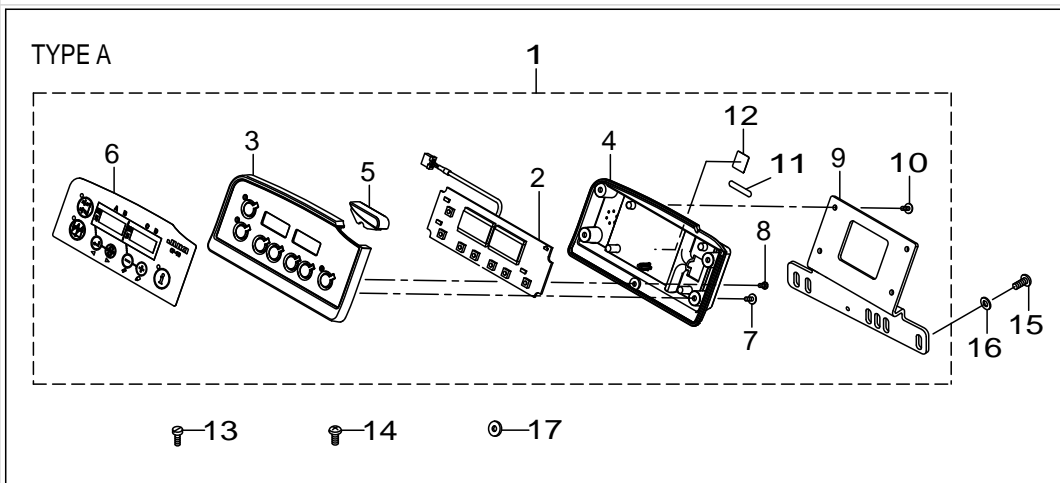
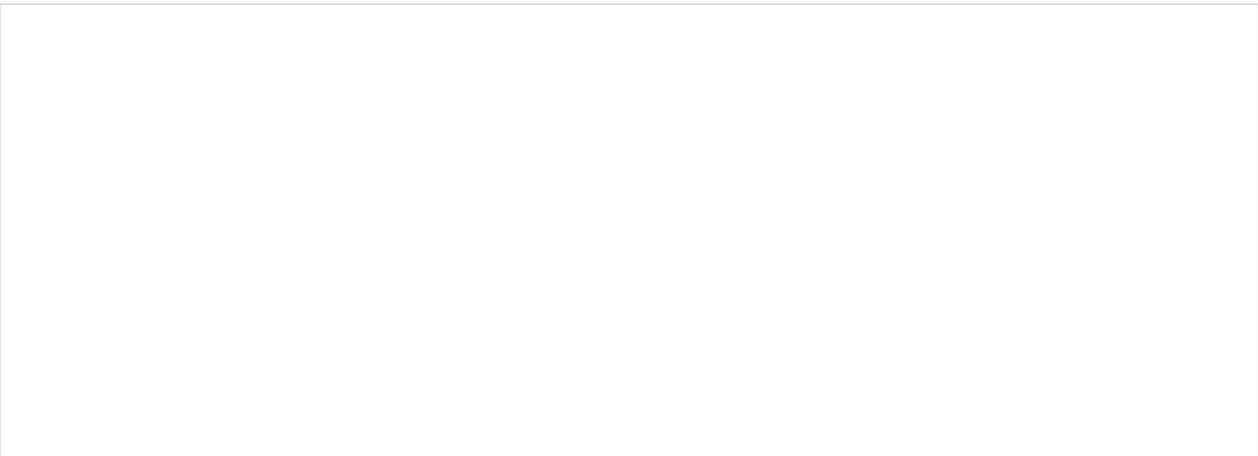
SC-921

| No. | Supply Code | Parts No. | Replacement | Parts name | Remarks | Choice | Step | Level | Cons | Qty | Rep. QTY |
|-----|-------------|-------------|-------------|---------------------|---|--------|------|-------|------|-----|----------|
| 43 | | ST9053511SR | | TAPPING SCREW M5X35 | SEPARATI- ON SPECI- FICATIONS PEDAL | | | * | | 2 | |
| 44 | | SL4041491SC | | SCREW 4 X 14 | SPECIFICA- TIONS WITH PEDAL | | | * | | 3 | |
| 45 | | 40099916 | | BOX_HANGER | ELECTRIC- AL EQUIP- MENT IS H- UNG AND THE TYPE | | | | | 1 | |
| 46 | | SL4051091SC | | SCREW M5X0.8 L=10 | ELECTRIC- AL EQUIP- MENT IS H- UNG AND THE TYPE | | | | | 4 | |



SC-921(Accessorie Parts)

| No. | Supply Code | Parts No. | Replacement | Parts name | Remarks | Choice | Step | Level | Cons | Qty | Rep. QTY |
|-----|-------------|-------------|-------------|-----------------------------------|--|--------|------|-------|------|-----|----------|
| 1 | | 40095439 | | PEDAL SENSOR BASE ASSY ATT_INSIDE | SEPARATION SPECIFICATIONS PEDAL | | | | | 1 | |
| 2 | R | 40093423 | 40099913 | SENSOR BRACKET | SEPARATION SPECIFICATIONS PEDAL | | | * | | 1 | 1.00 |
| 3 | | KX000000210 | | SADDLE TYPE TIE MOUNT | SEPARATION SPECIFICATIONS PEDAL | | | * | | 1 | |
| 4 | R | SM4051001SC | SM4051001SN | SCREW M5 L=10 | SEPARATION SPECIFICATIONS PEDAL | | | * | | 1 | 1.00 |
| 5 | | 40094259 | | PEDAL SENSOR ASM | SEPARATION SPECIFICATIONS PEDAL | | | * | | 1 | |
| 6 | | 40094260 | | SENSOR COIL HOLD ASSY | SEPARATION SPECIFICATIONS PEDAL | | | * | | 1 | |
| 7 | | SL4041091SC | | SCREW M4 L=10 | SEPARATION SPECIFICATIONS PEDAL | | | * | | 3 | |
| 8 | | 40093427 | | WOOD_SCREW D=5.1 L=18 | SEPARATION SPECIFICATIONS PEDAL | | | | | 2 | |
| 9 | | 40093426 | | MOTOR FITTING BOLT L=75 | SEPARATION SPECIFICATIONS PEDAL | | | | | 2 | |
| 10 | | WP0851846SC | | WASHER 8.5X22.0X1.8 | SEPARATION SPECIFICATIONS PEDAL | | | | | 2 | |
| 11 | | WS0820002KR | | SPRING WASHER, M8 | SEPARATION SPECIFICATIONS PEDAL | | | | | 2 | |
| 12 | | NM6080002SC | | NUT M8 | SEPARATION SPECIFICATIONS PEDAL | | | | | 2 | |
| 13 | | 40095611 | | INSTRUCTION MANUAL 4L(CHN SALE) | | | | | | 1 | |
| 14 | | 40095157 | | MACHINE HEAD LIST | | | | | | 1 | |
| 15 | | 40105997 | | SETUP MANUAL 9L | FOR ELECTRICAL EQUIPMENT IS HUNG AND THE TYPE | | | | | 1 | |
| 16 | | KX000000230 | | RELEASIBLE CABLE TIE | SEPARATION SPECIFICATIONS PEDAL | | | | | 1 | |
| 17 | | EA9500B0100 | | CABLE BAND | | | | | | 1 | |
| 18 | | KF000000080 | | SLO-BLO FUSE | | | | | | 1 | |
| 19 | | KF000000030 | | SLO-BLO FUSE | | | | | | 1 | |
| 20 | | 40088314 | | CONNECTING_ROD_ASSY | FOR SPECIFICATIONS WITH PEDAL, SEPARATION SPECIFICATIONS PEDAL | | | | | 1 | |
| 21 | | M6101471CA0 | | POWER SWITCH C ASM. | | | | | | 1 | |
| 22 | | M4501471AA0 | | CONNECTING ROD A ASM. | FOR ELECTRICAL EQUIPMENT IS HUNG AND THE TYPE | | | | | 1 | |



CP-18

| No. | Supply Code | Parts No. | Replacement | Parts name | Remarks | Choice | Step | Level | Cons | Qty | Rep. QTY |
|-----|-------------|-------------|-------------|-------------------------------------|---------|--------|------|-------|------|-----|----------|
| 1 | | 40088334 | | CP-18 TYPE A | | | | | | 1 | |
| 2 | | 40088126 | | CP PCB ASSY | | | | * | | 1 | |
| 3 | | 40088347 | | FRONT_CASE | | | | * | | 1 | |
| 4 | | 40088348 | | REAR_CASE | | | | * | | 1 | |
| 5 | | 40088349 | | INDICATOR | | | | * | | 1 | |
| 6 | | 40088351 | | PANEL SHEET | | | | * | | 1 | |
| 7 | D | SV4030802SN | | TAPPING SCREW W- ITH FLANGE M3X8 | | | | * | | 4 | |
| 8 | D | ST4030651SN | | SCREW M3 X 6 | | | | * | | 1 | |
| 9 | | 40088350 | | PANEL BRACKET_A | | | | * | | 1 | |
| 10 | D | SV4030802SN | | TAPPING SCREW W- ITH FLANGE M3X8 | | | | * | | 4 | |
| 11 | | 40044616 | | TYPE LABEL A | | | | * | | 1 | |
| 12 | | CM600100101 | | WEEE MARK LABEL S | | | | * | | 1 | |
| 13 | | SS6111210SP | | SCREW11/64-40L=12 | | | | | | 2 | |
| 14 | | SS4121215SP | | SCREW 3/16-28 L=12 | | | | | | 2 | |
| 15 | | SM4051255SP | | SCREW.,M5 L=12. | | | | | | 2 | |
| 16 | | WP0501016SD | | WASHER 5X10.5X1 | | | | | | 4 | |
| 17 | | B1144771000 | | FRAME SIDE COVER GASKET (C) | | | | | | 4 | |
| 18 | | KX000000280 | | BEAD BAND | | | | | | 1 | |
| 19 | | 40092983 | | CP-18 TYPE B | | | | | | 1 | |
| 20 | | 40088126 | | CP PCB ASSY | | | | * | | 1 | |
| 21 | | 40088347 | | FRONT_CASE | | | | * | | 1 | |
| 22 | | 40088348 | | REAR_CASE | | | | * | | 1 | |
| 23 | | 40088349 | | INDICATOR | | | | * | | 1 | |
| 24 | | 40088351 | | PANEL SHEET | | | | * | | 1 | |
| 25 | D | SV4030802SN | | TAPPING SCREW W- ITH FLANGE M3X8 | | | | * | | 4 | |
| 26 | D | ST4030651SN | | SCREW M3 X 6 | | | | * | | 1 | |
| 27 | | 40044617 | | TYPE LABEL B | | | | * | | 1 | |
| 28 | | CM600100101 | | WEEE MARK LABEL S | | | | * | | 1 | |
| 29 | | 40088355 | | PANEL BRACKET B | | | | | | 1 | |
| 30 | D | SV4030802SN | | TAPPING SCREW W- ITH FLANGE M3X8 | | | | | | 4 | |
| 31 | | 40093427 | | WOOD_SCREW D=5.1 L=18 | | | | | | 2 | |

HOW TO MAKE USE OF THIS PARTS LIST

1.As to "#01" and "#02" refer to the "Note" given at the bottom of the respective pages.

2.Codes on the "Qty" column

- Each numeral indicates the number of parts required.
- "0.1" and "2.5" indicate the length (in meters) of the respective parts.

3.Parentheses mean that the corresponding part is a subpart that constructs an assembly part.

4.Dotted lines on the Figures indicate assembly parts.

1. リストページの# 0 1、# 0 2の印は、ページ下の"注記"の説明を参照下さい。
2. 数量欄の数字は、個数を表し、0. 1、2. 5等の数値は、長さ（単位メートル）を表します。
3. 数量欄の（ ）は、組部品を構成している子部品であることを意味します。
4. イラストページの-----枠は、組構成であることを意味します。

NUMERICAL INDEX OF PARTS

| PART NO | PAGE | REF NO. | PART NO | PAGE | REF NO. |
|----------|------|---------|-------------|------|---------|
| 40006202 | 2 | 25 | 40105997 | 6 | 13~15 |
| 40006207 | 2 | 26 | B1144771000 | 8 | 17 |
| 40006208 | 2 | 27 | CM300100003 | 2 | 16 |
| 40006212 | 2 | 29 | CM300400602 | 2 | 12 |
| 40042130 | 2 | 22 | CM600100101 | 8 | 28 |
| 40042133 | 2 | 24 | EA9500B0100 | 6 | 17 |
| 40044616 | 8 | 11 | KF000000030 | 6 | 18·19 |
| 40044617 | 8 | 27 | KF000000080 | 6 | 18·19 |
| 40049426 | 2 | 28 | KX000000210 | 2 | 39 |
| 40087129 | 2 | 8 | KX000000210 | 6 | 3 |
| 40087153 | 2 | 19 | KX000000230 | 2 | 7 |
| 40087154 | 2 | 17 | KX000000230 | 6 | 16 |
| 40087156 | 2 | 23 | KX000000280 | 2 | 15 |
| 40087157 | 2 | 36 | KX000000280 | 8 | 18 |
| 40087165 | 2 | 34 | M4501471AA0 | 6 | 22 |
| 40087167 | 2 | 35 | M6101471CA0 | 6 | 21 |
| 40087168 | 2 | 41 | M8002430000 | 2 | 38 |
| 40088126 | 8 | 20 | NM6080002SC | 6 | 12 |
| 40088314 | 6 | 20 | SL4030881SC | 2 | 40 |
| 40088315 | 2 | 32 | SL4031081SC | 2 | 14 |
| 40088316 | 2 | 3 | SL4040881SC | 2 | 9 |
| 40088334 | 8 | 1 | SL4041081SC | 2 | 13 |
| 40088347 | 8 | 21 | SL4041091SC | 2 | 18 |
| 40088348 | 8 | 22 | SL4041091SC | 6 | 7 |
| 40088349 | 8 | 23 | SL4041491SC | 4 | 44 |
| 40088350 | 8 | 9 | SL4041681SC | 2 | 37 |
| 40088351 | 8 | 24 | SL4051091SC | 4 | 46 |
| 40088355 | 8 | 29 | SL6041292TN | 2 | 33 |
| 40092983 | 8 | 19 | SM4051001SC | 2 | 4 |
| 40093423 | 6 | 2 | SM4051001SC | 6 | 4 |
| 40093424 | 2 | 42 | SM4051255SP | 8 | 15 |
| 40093426 | 6 | 9 | SM8040612TP | 2 | 30 |
| 40093427 | 6 | 8 | SS4121215SP | 8 | 14 |
| 40093427 | 8 | 31 | SS6111210SP | 8 | 13 |
| 40094259 | 2 | 20 | ST4030651SN | 8 | 26 |
| 40094259 | 6 | 5 | ST9053511SR | 4 | 43 |
| 40094260 | 2 | 21 | SV4030601SR | 2 | 31 |
| 40094260 | 6 | 6 | SV4030802SN | 8 | 30 |
| 40095143 | 2 | 5 | WP0501016SD | 8 | 16 |
| 40095154 | 2 | 1·2 | WP0851846SC | 6 | 10 |
| 40095157 | 6 | 13~15 | WS0820002KR | 6 | 11 |
| 40095439 | 6 | 1 | | | |
| 40095611 | 6 | 13~15 | | | |
| 40099916 | 4 | 45 | | | |
| 40100920 | 2 | 1·2 | | | |